



Bluetooth Core Specification

Bluetooth[®] Specification

- **Version:** v5.4
- **Version Date:** 2023-01-31
- **Group Prepared By:** Core Specification Working Group

Abstract:

This specification defines the technologies required to create interoperable Bluetooth devices.





Disclaimer and Copyright Notice

Use of this specification is your acknowledgement that you agree to and will comply with the following notices and disclaimers. You are advised to seek appropriate legal, engineering, and other professional advice regarding the use, interpretation, and effect of this specification.

Use of Bluetooth specifications by members of Bluetooth SIG is governed by the membership and other related agreements between Bluetooth SIG and its members, including those agreements posted on Bluetooth SIG's website located at www.bluetooth.com. Any use of this specification by a member that is not in compliance with the applicable membership and other related agreements is prohibited and, among other things, may result in (i) termination of the applicable agreements and (ii) liability for infringement of the intellectual property rights of Bluetooth SIG and its members. This specification may provide options, because, for example, some products do not implement every portion of the specification. All content within the specification, including notes, appendices, figures, tables, message sequence charts, examples, sample data, and each option identified is intended to be within the bounds of the Scope as defined in the Bluetooth Patent/Copyright License Agreement ("PCLA"). Also, the identification of options for implementing a portion of the specification is intended to provide design flexibility without establishing, for purposes of the PCLA, that any of these options is a "technically reasonable non-infringing alternative."

Use of this specification by anyone who is not a member of Bluetooth SIG is prohibited and is an infringement of the intellectual property rights of Bluetooth SIG and its members. The furnishing of this specification does not grant any license to any intellectual property of Bluetooth SIG or its members. THIS SPECIFICATION IS PROVIDED "AS IS" AND BLUETOOTH SIG, ITS MEMBERS AND THEIR AFFILIATES MAKE NO REPRESENTATIONS OR WARRANTIES AND DISCLAIM ALL WARRANTIES, EXPRESS OR IMPLIED, INCLUDING ANY WARRANTIES OF MERCHANTABILITY, TITLE, NON-INFRINGEMENT, FITNESS FOR ANY PARTICULAR PURPOSE, OR THAT THE CONTENT OF THIS SPECIFICATION IS FREE OF ERRORS. For the avoidance of doubt, Bluetooth SIG has not made any search or investigation as to third parties that may claim rights in or to any specifications or any intellectual property that may be required to implement any specifications and it disclaims any obligation or duty to do so.

TO THE MAXIMUM EXTENT PERMITTED BY APPLICABLE LAW, BLUETOOTH SIG, ITS MEMBERS AND THEIR AFFILIATES DISCLAIM ALL LIABILITY ARISING OUT OF OR RELATING TO USE OF THIS SPECIFICATION AND ANY INFORMATION CONTAINED IN THIS SPECIFICATION, INCLUDING LOST REVENUE, PROFITS, DATA OR PROGRAMS, OR BUSINESS INTERRUPTION, OR FOR SPECIAL, INDIRECT, CONSEQUENTIAL, INCIDENTAL OR PUNITIVE DAMAGES, HOWEVER CAUSED AND REGARDLESS OF THE THEORY OF LIABILITY, AND EVEN IF BLUETOOTH SIG, ITS MEMBERS OR THEIR AFFILIATES HAVE BEEN ADVISED OF THE POSSIBILITY OF THE DAMAGES.

Products equipped with Bluetooth wireless technology ("Bluetooth Products") and their combination, operation, use, implementation, and distribution may be subject to regulatory controls under the laws and regulations of numerous countries that regulate products that use wireless non-licensed spectrum. Examples include airline regulations, telecommunications regulations, technology transfer controls, and health and safety regulations. You are solely responsible for complying with all applicable laws and regulations and for obtaining any and all required authorizations, permits, or licenses in connection with your use of this specification and development, manufacture, and distribution of Bluetooth Products. Nothing in this specification provides any information or assistance in connection with complying with applicable laws or regulations or obtaining required authorizations, permits, or licenses.

Bluetooth SIG is not required to adopt any specification or portion thereof. If this specification is not the final version adopted by Bluetooth SIG's Board of Directors, it may not be adopted. Any specification adopted by Bluetooth SIG's Board of Directors may be withdrawn, replaced, or modified at any time. Bluetooth SIG reserves the right to change or alter final specifications in accordance with its membership and operating agreements.



Copyright © 1999–2023. All copyrights in the Bluetooth Specifications themselves are owned by Apple Inc., Ericsson AB, Intel Corporation, Lenovo (Singapore) Pte. Ltd., Microsoft Corporation, Nokia Corporation, and Toshiba Corporation. The Bluetooth word mark and logos are owned by Bluetooth SIG, Inc. Other third-party brands and names are the property of their respective owners.

Version History

The Version History is shown in [\[Vol 0\] Part C](#).

Acknowledgments

The persons who contributed to this specification are listed in [\[Vol 0\] Part C](#).

Web Site

This specification can also be found on the official Bluetooth web site:
<https://www.bluetooth.com/specifications/adopted-specifications>



Consolidated Table of Contents & Compliance Requirements

Specification of the *Bluetooth*® System

Volume 0

Covered Core Package Version: **5.4**

Version Date: **2023-01-31**

Consolidated Table of Contents &
Compliance Requirements
Part A

**CONSOLIDATED TABLE
OF CONTENTS**

*This table of contents (TOC) covers the entire specification.
In addition, each Part of a volume is preceded by a detailed TOC.*



THE BLUETOOTH CORE SPECIFICATION CONSOLIDATED TABLE OF CONTENTS

In the following Consolidated Table of Contents:

- The TOC for each Volume starts at the top of a page.
- The Volume name in red is followed by the Volume number in black.
- A Volume contains one or more Parts (A, B, etc.); each Part can be viewed independently and has its own TOC.
- Red or blue text on the following pages provides hypertext links to the indicated sections.



Consolidated Table of Contents & Compliance Requirements
Specification Volume 0

Part A
CONSOLIDATED TABLE OF CONTENTS

Part B
BLUETOOTH COMPLIANCE REQUIREMENTS

1 Introduction 83

2 Scope 84

3 Definitions 85

 3.1 Types of Bluetooth Products..... 85

 3.1.1 Bluetooth End Product..... 86

 3.1.2 Bluetooth Subsystem Product..... 86

 3.1.3 Bluetooth Component Product..... 89

 3.1.4 Bluetooth Development Tool 89

 3.1.5 Bluetooth Test Equipment..... 89

4 Core Configurations 90

 4.1 Basic Rate Core Configuration 90

 4.2 Enhanced Data Rate Core Configurations 91

 4.3 [This section is no longer used] 92

 4.4 Low Energy Core Configuration 92

 4.5 Basic Rate and Low Energy Combined Core Configuration..... 93

 4.6 Host Controller Interface Core Configuration..... 93

Part C
VERSION HISTORY AND ACKNOWLEDGMENTS

1 Version History 97

 1.1 [Vol 0] Consolidated TOC & Compliance Requirements 97

 1.2 [Vol 1] Architecture, Mixing, and Conventions 98

 1.3 [Vols 2, 3, 5, 6 & 7] Controllers and Host..... 99

 1.4 [Vol 4] Host Controller Interface..... 102

2 Acknowledgments (up to v5.1) 104

 2.1 [Vol 0] Consolidated TOC & Compliance Requirements 104

 2.1.1 Part B: Bluetooth Compliance Requirements 104

 2.1.2 Part C: Version History and Acknowledgments..... 104

 2.2 [Vol 1] Architecture, Mixing, and Conventions 105

 2.2.1 Part A: Architectural Overview 105



- 2.2.2 Part B: Acronyms & Abbreviations 109
- 2.2.3 Part C: Core Specification Change History 111
- 2.2.4 Part D: Mixing of Specification Versions 111
- 2.2.5 Part E: General Terminology and Interpretation..... 112
- 2.2.6 Part F: Controller Error Codes 113
- 2.3 [Vol 2] BR/EDR Controller 116
 - 2.3.1 Part A: Radio Specification 116
 - 2.3.2 Part B: Baseband Specification 118
 - 2.3.3 Part C: Link Manager Protocol..... 122
 - 2.3.4 Part D: [This part is no longer used] 126
 - 2.3.5 Part E: [This part is no longer used]..... 126
 - 2.3.6 Part F: Message Sequence Charts..... 127
 - 2.3.7 Part G: Sample Data 129
 - 2.3.8 Part H: Security Specification 131
- 2.4 [Vol 3] Host 133
 - 2.4.1 Part A: Logical Link Control and Adaptation Protocol Specification..... 133
 - 2.4.2 Part B: Service Discovery Protocol (SDP) 137
 - 2.4.3 Part C: Generic Access Profile..... 138
 - 2.4.4 Part D: Test Support..... 143
 - 2.4.5 Part E: AMP Manager Protocol 144
 - 2.4.6 Part F: Attribute Protocol Specification 144
 - 2.4.7 Part G: Generic Attribute Profile Specification 146
 - 2.4.8 Part H: Security Manager Specification 147
- 2.5 [Vol 4] Host Controller Interface..... 149
 - 2.5.1 Parts A to D: Transport Layers..... 149
 - 2.5.2 Part E: Bluetooth Host Controller Interface Functional Specification..... 150
- 2.6 [Vol 5] AMP Controller..... 158
 - 2.6.1 Part A: 802.11 PAL..... 158
- 2.7 [Vol 6] Low Energy Controller 159
 - 2.7.1 Part A: Physical Layer Specification 159
 - 2.7.2 Part B: Link Layer Specification 161
 - 2.7.3 Part C: Sample Data 165
 - 2.7.4 Part D: Message Sequence Charts 166
 - 2.7.5 Part E: Low Energy Security Specification..... 169
 - 2.7.6 Part F: Direct Test Mode 170
- 2.8 [Vol 7] Wireless Coexistence Signaling and Interfaces..... 173



- 2.8.1 Part A: MWS Coexistence Logical Signaling Specification
173
- 2.8.2 Part B: Wireless Coexistence Interface 1 (WCI-1)
Transport Specification 173
- 2.8.3 Part C: Wireless Coexistence Interface 2 (WCI-2)
Transport Specification 173
- 3 Acknowledgments for v5.2 175**
 - 3.1 Acknowledgments for LE Isochronous Channels 175
 - 3.2 Acknowledgments for LE Power Control 176
 - 3.3 Acknowledgments for Enhanced Attribute Protocol..... 177
- 4 Acknowledgments for v5.3 178**
 - 4.1 Acknowledgments for AdvDataInfo in Periodic Advertising 178
 - 4.2 Acknowledgments for Host To Controller Encryption Key Control
Enhancements..... 178
 - 4.3 Acknowledgments for LE Enhanced Connection Update 178
 - 4.4 Acknowledgments for LE Channel Classification 179
 - 4.5 Acknowledgments for Removing Alternate MAC/PHY..... 179
- 5 Acknowledgments for v5.4 180**
 - 5.1 Coding Scheme Selection on Advertising..... 180
 - 5.2 Encrypted Advertising Data 180
 - 5.3 Periodic Advertising with Responses..... 180
 - 5.4 LE GATT Security Levels Characteristic..... 180



Architecture, Mixing, and Conventions

Specification Volume 1

Part A

ARCHITECTURE

1 General description 187

1.1 Overview of BR/EDR operation 188

1.2 Overview of Bluetooth Low Energy operation 190

1.3 [This section is no longer used] 195

1.4 Nomenclature 195

2 Core system architecture 202

2.1 Core architectural blocks 205

2.1.1 Host architectural blocks 205

2.1.2 BR/EDR/LE Controller architectural blocks 207

2.1.3 [This section is no longer used] 209

3 Data transport architecture 210

3.1 Core traffic bearers 211

3.1.1 Framed data traffic 212

3.1.2 Unframed data traffic 213

3.1.3 Reliability of traffic bearers 214

3.2 Transport architecture entities 216

3.2.1 BR/EDR generic packet structure 216

3.2.2 LE generic packet structure 218

3.3 Physical channels 222

3.3.1 BR/EDR physical channels 222

3.3.2 LE physical channels 228

3.3.3 [This section is no longer used] 234

3.4 Physical links 234

3.4.1 BR/EDR links supported by the basic and adapted piconet physical channels 235

3.4.2 BR/EDR links supported by the scanning physical channels 236

3.4.3 LE links supported by the LE physical channels 236

3.4.4 [This section is no longer used] 238

3.5 Logical links and logical transports 238

3.5.1 Casting 240

3.5.2 Scheduling and acknowledgment scheme 240

3.5.3 Class of data 240



- 3.5.4 Logical transports..... 241
- 3.5.5 Logical links 247
- 3.6 L2CAP channels..... 250
- 3.7 Isochronous Adaptation Layer (ISOAL) 251
- 3.8 Power control..... 251
 - 3.8.1 Power control in BR/EDR..... 251
 - 3.8.2 Power control in LE..... 251
- 4 Communication topology and operation..... 252**
 - 4.1 Piconet topology 252
 - 4.1.1 BR/EDR topology..... 252
 - 4.1.2 LE topology 254
 - 4.2 Operational procedures and modes 256
 - 4.2.1 BR/EDR procedures 256
 - 4.2.2 LE procedures..... 260
 - 4.2.3 [This section is no longer used] 265
- 5 Security overview 266**
 - 5.1 Security architecture 266
 - 5.2 BR/EDR Secure Simple Pairing..... 268
 - 5.2.1 Security goals 268
 - 5.2.2 Passive eavesdropping protection 269
 - 5.2.3 Man-in-the-middle protection 269
 - 5.2.4 Association models 270
 - 5.3 Secure Connections Only mode 273
 - 5.4 LE security 273
 - 5.4.1 Association models 274
 - 5.4.2 Key generation..... 274
 - 5.4.3 Encryption 274
 - 5.4.4 Signed Data 274
 - 5.4.5 Privacy feature 275
 - 5.4.6 Encrypted Advertising Data..... 276
 - 5.5 [This section is no longer used] 276
 - 5.6 Key generation between BR/EDR and LE physical transports 277
- 6 Bluetooth application architecture..... 278**
 - 6.1 Bluetooth profiles 278
 - 6.2 Generic Access Profile 278
 - 6.3 Profile hierarchy..... 279
 - 6.4 Generic Attribute Architecture 280
 - 6.4.1 Attribute Protocol 280
 - 6.4.2 Generic Attribute Profile 281



- 6.5 GATT-Based Profile hierarchy 281
 - 6.5.1 Service 282
 - 6.5.2 Included services 283
 - 6.5.3 Characteristic 283
- 6.6 Mesh-based model hierarchy 283
 - 6.6.1 Model 283
 - 6.6.2 Properties 284
- 7 Coexistence and collocation 285**
 - 7.1 Core features supporting coexistence and collocation 286
 - 7.2 Adaptive Frequency Hopping 286
 - 7.3 Coexistence between Bluetooth Devices and Wireless LAN Devices 287
 - 7.4 Mobile Wireless Standards (MWS) coexistence 287
 - 7.5 Synchronizing Bluetooth with an external timing source 290
 - 7.6 Piconet clock adjustment 291
 - 7.7 Slot Availability Mask (SAM) 292
- 8 Direction finding using Bluetooth Low Energy 293**
 - 8.1 Angle of arrival (AoA) method 293
 - 8.2 Angle of departure (AoD) method 294

Part B

ACRONYMS & ABBREVIATIONS

- 1 List of acronyms and abbreviations 299**

Part C

CORE SPECIFICATION CHANGE HISTORY

- 1 Removed features 313**
- 2 Changes from v1.1 to v1.2 314**
 - 2.1 New features 314
 - 2.2 Structure changes 314
 - 2.3 Deprecated features list 314
 - 2.4 Changes in wording 315
 - 2.5 Nomenclature changes 315
- 3 Changes from v1.2 to v2.0 + EDR 316**
 - 3.1 New features 316
 - 3.2 Deprecated features 316
- 4 Changes from v2.0 + EDR to v2.1 + EDR 317**
 - 4.1 New features 317
 - 4.2 Removed features 317
- 5 Changes from v2.1 + EDR to v3.0 + HS 318**



- 5.1 New features 318
- 5.2 Removed features 318
- 6 Changes from v3.0 + HS to v4.0 319**
- 6.1 New features 319
- 6.2 Removed features 319
- 7 Changes from v4.0 to v4.1 320**
- 7.1 New features 320
 - 7.1.1 Features added in CSA 4 – integrated in v4.1 320
 - 7.1.2 Features added in CSA 3 – integrated in v4.1 320
 - 7.1.3 Features added in CSA 2 – integrated in v4.1 321
- 7.2 Removed features 321
- 8 Changes from v4.1 to v4.2 322**
- 8.1 New features 322
- 8.2 Errata incorporated in v4.2 322
- 9 Changes from v4.2 to v5.0 324**
- 9.1 New features 324
 - 9.1.1 Features added in CSA5 - integrated in v5.0 324
- 9.2 Removed features 324
- 9.3 Privacy errata 324
- 9.4 Errata incorporated in v5.0 325
- 10 Changes from v5.0 to v5.1 329**
- 10.1 New features 329
 - 10.1.1 Features added in CSA6 – integrated in v5.1 329
- 10.2 Removed features 329
- 10.3 Security erratum 329
- 10.4 Errata incorporated in v5.1 330
- 11 Changes from v5.1 to v5.2 332**
- 11.1 New features 332
- 11.2 Security erratum 332
- 11.3 Errata incorporated in v5.2 332
- 12 Changes from v5.2 to v5.3 334**
- 12.1 New features 334
- 12.2 Removed Features 334
- 12.3 Errata incorporated in v5.3 334
- 12.4 Global terminology changes 339
- 13 Changes from v5.3 to v5.4 340**
- 13.1 New features 340
- 13.2 Removed features 340
- 13.3 Errata incorporated in v5.4 340



Part D

MIXING OF SPECIFICATION VERSIONS

1	Mixing of specification versions	346
1.1	Features and their types	347
1.2	Core Specification Addenda	350

Part E

GENERAL TERMINOLOGY AND INTERPRETATION

1	Language conventions	356
1.1	[This section is no longer used]	356
1.2	[This section is no longer used]	356
1.3	[This section is no longer used]	356
1.4	[This section is no longer used]	356
1.5	[This section is no longer used]	356
1.6	[This section is no longer used]	356
1.7	Implementation Alternatives	356
1.8	Discrepancies	357
1.9	Appropriate Language	357
2	General interpretation rules	358
2.1	Binary and hexadecimal values	358
2.2	Bit numbers and bit fields	358
2.3	Specification of bit values	358
2.4	Values with restricted purposes	359
2.4.1	Reserved for future use	359
2.4.2	Previously used.....	359
2.5	Use of invalid values in checksums and other calculations	360
2.6	Assigned number requirements.....	360
2.7	Responding to invalid behavior	360
2.8	Ranges of values	362
2.9	Type Names	362
2.9.1	Basic types.....	362
2.9.2	Array types.....	363
2.9.3	Variable length types.....	363
2.10	Mathematical conventions	364
2.11	Requirement status symbols	365
2.12	Table structure	366
3	Naming conventions	367
3.1	BR/EDR	367
3.2	Bluetooth Low Energy	367
3.2.1	Link Layer PDUs	367



Part F

CONTROLLER ERROR CODES

1	Overview of error codes	373
1.1	Usage descriptions	373
1.2	[This section is no longer used]	373
1.3	List of error codes	373
2	Error code descriptions	376
2.1	Unknown HCI command (0x01).....	376
2.2	Unknown Connection Identifier (0x02)	376
2.3	Hardware Failure (0x03)	376
2.4	Page Timeout (0x04)	376
2.5	Authentication Failure (0x05).....	376
2.6	PIN or Key Missing (0x06).....	376
2.7	Memory Capacity Exceeded (0x07).....	376
2.8	Connection Timeout (0x08)	377
2.9	Connection Limit Exceeded (0x09).....	377
2.10	Synchronous Connection Limit to a Device Exceeded (0x0A)	377
2.11	Connection Already Exists (0x0B)	377
2.12	Command Disallowed (0x0C).....	377
2.13	Connection Rejected due to Limited Resources (0x0D).....	377
2.14	Connection Rejected due to Security Reasons (0x0E).....	377
2.15	Connection Rejected due to Unacceptable BD_ADDR (0x0F)	378
2.16	Connection Accept Timeout Exceeded (0x10).....	378
2.17	Unsupported Feature or Parameter Value (0x11).....	378
2.18	Invalid HCI Command Parameters (0x12).....	378
2.19	Remote User Terminated Connection (0x13)	378
2.20	Remote Device Terminated Connection due to Low Resources (0x14)	379
2.21	Remote Device Terminated Connection due to Power Off (0x15) . 379	
2.22	Connection Terminated by Local Host (0x16).....	379
2.23	Repeated Attempts (0x17).....	379
2.24	Pairing not Allowed (0x18).....	379
2.25	Unknown LMP PDU (0x19).....	379
2.26	Unsupported Remote Feature (0x1A)	379
2.27	SCO Offset Rejected (0x1B).....	380
2.28	SCO Interval Rejected (0x1C)	380
2.29	SCO Air Mode Rejected (0x1D).....	380
2.30	Invalid LMP Parameters / Invalid LL Parameters (0x1E).....	380
2.31	Unspecified Error (0x1F)	380
2.32	Unsupported LMP Parameter Value / Unsupported LL Parameter Value (0x20).....	380



2.33	Role Change not Allowed (0x21)	381
2.34	LMP Response Timeout / LL Response Timeout (0x22)	381
2.35	LMP Error Transaction Collision / LL Procedure Collision (0x23)	381
2.36	LMP PDU not Allowed (0x24)	381
2.37	Encryption Mode not Acceptable (0x25)	381
2.38	Link Key cannot be Changed (0x26)	381
2.39	Requested QoS not Supported (0x27)	381
2.40	Instant Passed (0x28)	381
2.41	Pairing with Unit Key not Supported (0x29)	382
2.42	Different Transaction Collision (0x2A)	382
2.43	QoS Unacceptable Parameter (0x2C)	382
2.44	QoS Rejected (0x2D)	382
2.45	Channel Assessment Not Supported (0x2E)	382
2.46	Insufficient Security (0x2F)	382
2.47	Parameter Out of Mandatory Range (0x30)	382
2.48	Role Switch Pending (0x32)	382
2.49	Reserved Slot Violation (0x34)	383
2.50	Role Switch Failed (0x35)	383
2.51	Extended Inquiry Response too Large (0x36)	383
2.52	Secure Simple Pairing not Supported by Host (0x37)	383
2.53	Host Busy–Pairing (0x38)	383
2.54	Connection Rejected due to no Suitable Channel Found (0x39) ... 383	
2.55	Controller Busy (0x3A)	383
2.56	Unacceptable Connection Parameters (0x3B)	384
2.57	Advertising Timeout (0x3C)	384
2.58	Connection Terminated due to MIC Failure (0x3D)	384
2.59	Connection Failed to be Established / Synchronization Timeout (0x3E)	384
2.60	[This section is no longer used]	384
2.61	Coarse Clock Adjustment Rejected but Will Try to Adjust Using Clock Dragging (0x40)	384
2.62	Type0 Submap not Defined (0x41)	384
2.63	Unknown Advertising Identifier (0x42)	385
2.64	Limit Reached (0x43)	385
2.65	Operation Cancelled by Host (0x44)	385
2.66	Packet Too Long (0x45)	385
2.67	Too Late (0x46)	385
2.68	Too Early (0x47)	385



BR/EDR Controller
Specification Volume 2

Part A

RADIO SPECIFICATION

1	Scope	390
2	Frequency bands and channel arrangement	392
3	Transmitter characteristics	393
3.1	Basic Rate	394
3.1.1	Modulation characteristics	394
3.1.2	Spurious emissions	395
3.1.3	Radio frequency tolerance	396
3.2	Enhanced Data Rate	396
3.2.1	Modulation characteristics	397
3.2.2	Spurious emissions	400
3.2.3	Radio frequency tolerance	401
3.2.4	Relative transmit power	402
4	Receiver characteristics	403
4.1	Basic Rate	403
4.1.1	Actual sensitivity level	403
4.1.2	Interference performance	403
4.1.3	Out-of-band blocking	404
4.1.4	Intermodulation characteristics	404
4.1.5	Maximum usable level	405
4.1.6	Received Signal Strength Indication	405
4.1.7	Reference signal definition	405
4.2	Enhanced Data Rate	405
4.2.1	Actual sensitivity level	405
4.2.2	BER floor performance	405
4.2.3	Interference performance	406
4.2.4	Maximum usable level	407
4.2.5	Out-of-band and intermodulation characteristics	407
4.2.6	Reference signal definition	407
Appendix A	Test conditions	408
A.1	Nominal test conditions	408
A.1.1	Nominal temperature	408



A.1.2 Nominal power source 408

A.2 [This section is no longer used] 408

Appendix B [This Appendix is no longer used] 409

Appendix C Modulation accuracy definition 410

C.1 Enhanced Data Rate modulation accuracy 410

C.1.1 RMS DEVM 412

C.1.2 Peak DEVM 413

Part B

BASEBAND SPECIFICATION

1 General description 422

1.1 Bluetooth clock 423

1.2 Bluetooth Device addressing 424

1.2.1 Reserved addresses 425

1.3 Access codes 425

2 Physical channels 427

2.1 Physical channel definition 428

2.2 Basic piconet physical channel 428

2.2.1 Central and Peripheral roles 428

2.2.2 Hopping characteristics 429

2.2.3 Time slots 429

2.2.4 Piconet clocks 429

2.2.5 Transmit/receive timing 430

2.3 Adapted piconet physical channel 434

2.3.1 Hopping characteristics 434

2.4 Page scan physical channel 434

2.4.1 Clock estimate for paging 435

2.4.2 Hopping characteristics 435

2.4.3 Paging procedure timing 435

2.4.4 Page response timing 436

2.5 Inquiry scan physical channel 438

2.5.1 Clock for inquiry 438

2.5.2 Hopping characteristics 438

2.5.3 Inquiry procedure timing 439

2.5.4 Inquiry response timing 439

2.6 Hop selection 440

2.6.1 General selection scheme 441



- 2.6.2 Selection kernel 444
- 2.6.3 Adapted hop selection kernel..... 447
- 2.6.4 Control word..... 448
- 2.7 Synchronization scan physical channel..... 453
 - 2.7.1 Hopping characteristics..... 453
 - 2.7.2 Synchronization Train procedure timing..... 453
 - 2.7.3 Synchronization Scan procedure timing 454
- 3 Physical links 456**
 - 3.1 Link supervision for active physical links 456
 - 3.2 Link supervision for Connectionless Peripheral Broadcast physical links 457
 - 3.3 Authenticated payload timeout for active links 457
- 4 Logical transports 458**
 - 4.1 General..... 458
 - 4.2 Logical transport address (LT_ADDR)..... 458
 - 4.3 Synchronous logical transports 459
 - 4.4 Asynchronous logical transport 459
 - 4.5 Transmit/receive routines 460
 - 4.5.1 TX routine 460
 - 4.5.2 RX routine 463
 - 4.5.3 Flow control..... 464
 - 4.6 Active Peripheral broadcast transport 465
 - 4.7 [This section is no longer used] 465
 - 4.8 Connectionless Peripheral Broadcast logical transport 465
- 5 Logical links 467**
 - 5.1 Link Control logical link (LC)..... 467
 - 5.2 ACL Control logical links (ACL-C and APB-C)..... 467
 - 5.3 User asynchronous/isochronous logical links (ACL-U and APB-U) 468
 - 5.3.1 Pausing the ACL-U logical link..... 468
 - 5.4 User synchronous data logical link (SCO-S) 468
 - 5.5 User extended synchronous data logical link (eSCO-S)..... 468
 - 5.6 Logical link priorities 468
 - 5.7 Profile broadcast data logical link 469
- 6 Packets 470**
 - 6.1 General format..... 470
 - 6.1.1 Basic Rate..... 470
 - 6.1.2 Enhanced Data Rate..... 470
 - 6.2 Bit ordering 471
 - 6.3 Access code 471



6.3.1	Access code types	472
6.3.2	Preamble.....	472
6.3.3	Sync word	472
6.3.4	Trailer	476
6.4	Packet header	476
6.4.1	LT_ADDR.....	476
6.4.2	TYPE.....	477
6.4.3	FLOW.....	477
6.4.4	ARQN.....	477
6.4.5	SEQN.....	478
6.4.6	HEC	478
6.5	Packet types	478
6.5.1	Common packet types	481
6.5.2	SCO packets.....	483
6.5.3	eSCO packets.....	484
6.5.4	ACL packets.....	486
6.6	Payload format	488
6.6.1	Synchronous data field	489
6.6.2	Asynchronous data field.....	490
6.7	Packet summary.....	494
7	Bit stream processing	496
7.1	Error checking	497
7.1.1	HEC generation	497
7.1.2	CRC generation	498
7.2	Data whitening.....	499
7.3	Error correction.....	500
7.4	FEC code: rate 1/3	501
7.5	FEC code: rate 2/3	501
7.6	ARQ scheme	502
7.6.1	Unnumbered ARQ.....	502
7.6.2	Retransmit filtering.....	506
7.6.3	Flushing payloads.....	508
7.6.4	Multi-Peripheral considerations.....	509
7.6.5	Active Peripheral Broadcast packets	509
7.7	Erroneous synchronous data reporting	510
7.8	Message Integrity Check.....	511
8	Link Controller operation	512
8.1	Overview of states	512
8.2	Standby state.....	513



8.3	Connection establishment substates	513
8.3.1	Page Scan substate.....	513
8.3.2	Page substate.....	515
8.3.3	Page response substates	517
8.4	Device discovery substates	522
8.4.1	Inquiry Scan substate	523
8.4.2	Inquiry substate.....	524
8.4.3	Inquiry Response substate	525
8.5	Connection state.....	528
8.6	Active mode.....	529
8.6.1	Polling in the Active mode.....	530
8.6.2	SCO	530
8.6.3	eSCO	532
8.6.4	Broadcast scheme	534
8.6.5	Role switch.....	535
8.6.6	Scatternet.....	537
8.6.7	Hop sequence switching.....	538
8.6.8	Channel classification and channel map selection	541
8.6.9	Power management.....	543
8.6.10	Piconet clock adjustment	544
8.6.11	Slot Availability Mask (SAM)	547
8.7	Sniff mode.....	553
8.7.1	Sniff Transition mode	555
8.7.2	Sniff subrating.....	555
8.8	Hold mode	557
8.9	[This section is no longer used]	557
8.10	Connectionless Peripheral Broadcast mode.....	557
8.10.1	Connectionless Peripheral Broadcast transmit operation . 558	
8.10.2	Connectionless Peripheral Broadcast receive operation .. 559	
8.10.3	AFH in Connectionless Peripheral Broadcast.....	559
8.11	Synchronization establishment substates	560
8.11.1	Synchronization Scan substate.....	560
8.11.2	Synchronization Train substate.....	560
9	Audio.....	563
9.1	LOG PCM codec	563
9.2	CVSD codec	563
9.3	Error handling	566



9.4	General audio requirements	566
9.4.1	Signal levels	566
9.4.2	CVSD audio quality	566
Appendix A	General audio recommendations	567
A.1	Maximum sound pressure	567
A.2	Other telephony network requirements	567
A.3	Audio levels for Bluetooth	567
A.4	Microphone path	568
A.5	Loudspeaker path	568
A.6	Bluetooth voice interface	568
A.7	Frequency mask	569
Appendix B	Timers	571
B.1	List of timers	571
B.1.1	inquiryTO	571
B.1.2	pageTO	571
B.1.3	extended_pageTO	571
B.1.4	pagerespTO	571
B.1.5	newconnectionTO	571
B.1.6	supervisionTO	572
B.1.7	CPB_supervisionTO	572
B.1.8	synchronization_trainTO	572
B.1.9	synchronization_scanTO	572
B.1.10	authenticatedPayloadTO	573
B.1.11	CLK_adj_dragTO	573
Appendix C	Recommendations for AFH operation in Hold, Sniff, and Connectionless Peripheral Broadcast modes	574
C.1	Operation at the Central	574
C.2	[This section is no longer used]	575
C.3	AFH operation in Sniff mode	575
C.4	AFH operation in Hold mode	575
C.5	AFH operation in Connectionless Peripheral Broadcast	575
 Part C		
LINK MANAGER PROTOCOL SPECIFICATION		
1	Introduction	582
2	General rules	583



- 2.1 Message transport 583
- 2.2 Synchronization 583
- 2.3 Packet format 584
- 2.4 Transactions 585
 - 2.4.1 LMP response timeout 585
- 2.5 Error handling 586
 - 2.5.1 Transaction collision resolution 587
- 2.6 Procedure rules 587
- 2.7 General response messages 588
- 2.8 LMP message constraints 588
- 3 Device features 589**
 - 3.1 General description 589
 - 3.2 Feature definitions 589
 - 3.3 Feature mask definition 594
 - 3.4 Link Manager interoperability policy 597
 - 3.5 Feature requirements 598
 - 3.5.1 Devices supporting BR/EDR 598
 - 3.5.2 Devices not supporting BR/EDR 600
- 4 Procedure rules 602**
 - 4.1 Connection control 602
 - 4.1.1 Connection establishment 602
 - 4.1.2 Detach 603
 - 4.1.3 Power control 604
 - 4.1.4 Adaptive frequency hopping 607
 - 4.1.5 Channel classification 610
 - 4.1.6 Link supervision 612
 - 4.1.7 Channel quality driven data rate change (CQDDR) 612
 - 4.1.8 Quality of service (QoS) 613
 - 4.1.9 Paging scheme parameters 615
 - 4.1.10 Control of multi-slot packets 616
 - 4.1.11 Enhanced Data Rate 617
 - 4.1.12 Encapsulated LMP PDUs 619
 - 4.1.13 Ping 620
 - 4.1.14 Piconet clock adjustment 621
 - 4.1.15 Slot Availability Mask 625
 - 4.2 Security 629
 - 4.2.1 Authentication 629
 - 4.2.2 Pairing 632
 - 4.2.3 Change link key 635



- 4.2.4 Change current link key type 636
- 4.2.5 Encryption 638
- 4.2.6 Request supported encryption key size 648
- 4.2.7 Secure Simple Pairing 648
- 4.3 Informational requests 662
 - 4.3.1 Timing accuracy 662
 - 4.3.2 Clock offset 663
 - 4.3.3 LMP version 664
 - 4.3.4 Supported features 665
 - 4.3.5 Name request 666
- 4.4 Role switch 667
 - 4.4.1 Slot offset 667
 - 4.4.2 Role switch 668
- 4.5 Modes of operation 670
 - 4.5.1 Hold mode 670
 - 4.5.2 [This section is no longer used] 673
 - 4.5.3 Sniff mode 673
- 4.6 Logical transports 677
 - 4.6.1 SCO logical transport 677
 - 4.6.2 eSCO logical transport 680
- 4.7 Test mode 685
 - 4.7.1 Activation and deactivation of Test mode 685
 - 4.7.2 Control of Test mode 686
 - 4.7.3 Summary of Test mode PDUs 687
- 5 Summary 690**
 - 5.1 PDU summary 690
 - 5.2 Parameter definitions 698
 - 5.3 LMP encapsulated 709
 - 5.4 Default values 709
- Appendix A Changes to parameter names 710**



Part D
[THIS PART IS NO LONGER USED]

Part E
[THIS PART IS NO LONGER USED]

Part F
MESSAGE SEQUENCE CHARTS

- 1 Introduction..... 719**
 - 1.1 Notation 719
 - 1.2 Flow of control 720
 - 1.3 Example MSC..... 720
 - 1.4 Forward compatibility..... 720
- 2 Services without connection request 722**
 - 2.1 Remote Name Request..... 722
 - 2.2 One-time inquiry 724
 - 2.3 Periodic inquiry 726
- 3 ACL connection establishment and detachment..... 729**
 - 3.1 Connection setup..... 730
- 4 Optional activities after ACL connection establishment..... 738**
 - 4.1 Authentication requested 738
 - 4.2 Secure Simple Pairing message sequence charts 740
 - 4.2.1 Optional OOB information collection..... 741
 - 4.2.2 Enable Secure Simple Pairing and secure connections ...
742
 - 4.2.3 Connection establishment..... 743
 - 4.2.4 L2CAP connection request for a secure service 743
 - 4.2.5 Optional OOB information transfer..... 744
 - 4.2.6 Start Secure Simple Pairing..... 744
 - 4.2.7 IO capability exchange..... 745
 - 4.2.8 Public key exchange 746
 - 4.2.9 Authentication 747
 - 4.2.10 Numeric Comparison 747
 - 4.2.11 Numeric Comparison failure on initiating side..... 748
 - 4.2.12 Numeric Comparison failure on responding side 749
 - 4.2.13 Passkey Entry 750
 - 4.2.14 Passkey Entry failure on responding side..... 751
 - 4.2.15 Passkey Entry failure on initiator side 752
 - 4.2.16 Out of Band..... 753



- 4.2.17 OOB failure on initiator side 755
- 4.2.18 DHKey checks 756
- 4.2.19 Calculate link key 757
- 4.2.20 Enable encryption 758
- 4.2.21 L2CAP connection response 758
- 4.2.22 LMP ping 759
- 4.3 Link Supervision Timeout Changed event 761
- 4.4 Set Connection Encryption 761
- 4.5 Change connection link key 764
- 4.6 Change connection link key with encryption pause and resume ...
765
- 4.7 Temporary Link Key 766
- 4.8 Read remote supported features 767
- 4.9 Read remote extended features 768
- 4.10 Read clock offset 769
- 4.11 Role switch on an encrypted link using encryption pause and
resume 770
- 4.12 Refreshing encryption keys 771
- 4.13 Read remote version information 772
- 4.14 QoS setup 773
- 4.15 Switch role 774
- 4.16 [This section is no longer used] 775
- 4.17 [This section is no longer used] 775
- 4.18 Slot availability mask 775
- 4.19 LMP transaction collision 779
- 5 Synchronous connection establishment and detachment 780**
- 5.1 Synchronous connection setup 780
- 5.2 Synchronous connection setup with enhanced synchronous
commands 787
- 6 Sniff and Hold modes 794**
- 6.1 Sniff mode 794
- 6.2 Hold mode 795
- 6.3 [This section is no longer used] 797
- 7 Buffer management, flow control 798**
- 8 Loopback mode 800**
- 8.1 Local Loopback mode 800
- 8.2 Remote Loopback mode 802
- 9 Connectionless Peripheral Broadcast services 804**



Part G
SAMPLE DATA

- 1 Encryption sample data 811**
 - 1.1 E0 encryption sample data 811
 - 1.1.1 Generating K_session from K_enc 811
 - 1.1.2 First set of sample data..... 814
 - 1.1.3 Second set of sample data 822
 - 1.1.4 Third set of samples..... 830
 - 1.1.5 Fourth set of samples 838
 - 1.2 AES-CCM encryption sample data 846
 - 1.2.1 Sample data 1 (DM1, Central → Peripheral) 846
 - 1.2.2 Sample data 2 (DM1, Central → Peripheral) 847
 - 1.2.3 Sample data 3 (DM1, Peripheral → Central) 848
 - 1.2.4 Sample data 4 (DM1, Central → Peripheral) 849
 - 1.2.5 Sample data 5 (DM1, Peripheral → Central) 850
 - 1.2.6 Sample data 6 (DH1, Central → Peripheral)..... 851
 - 1.2.7 Sample data 7 (DH1, Peripheral → Central)..... 852
 - 1.2.8 Sample data 8 (DH1, Central → Peripheral)..... 853
 - 1.2.9 Sample data 9 (DH1, Peripheral → Central)..... 854
 - 1.2.10 Sample data 10 (2-DH3, Central → Peripheral) 855
 - 1.2.11 Sample data 11 (2-DH3, Peripheral → Central)..... 858
 - 1.2.12 Sample data 12 (3-DH5, Central → Peripheral) 861
 - 1.2.13 Sample data 13 (3-DH5, Peripheral → Central) 869
 - 1.2.14 Sample data 14 (EV3)..... 877
- 2 Frequency hopping sample data..... 878**
 - 2.1 First set..... 878
 - 2.2 Second set..... 884
 - 2.3 Third set..... 890
- 3 Access code sample data 896**
- 4 HEC and packet header sample data..... 899**
- 5 CRC sample data 900**
- 6 Complete sample packets..... 901**
 - 6.1 Example of DH1 packet..... 901
 - 6.2 Example of DM1 packet 902
- 7 Secure Simple Pairing sample data 903**
 - 7.1 Elliptic curve sample data 903
 - 7.1.1 P-192 sample data..... 903
 - 7.1.2 P-256 sample data..... 905



- 7.2 Hash functions sample data 906
 - 7.2.1 f1()..... 906
 - 7.2.2 g()..... 908
 - 7.2.3 f2()..... 908
 - 7.2.4 f3()..... 909
 - 7.2.5 [This section is no longer used] 916
 - 7.2.6 h4()..... 916
 - 7.2.7 h5()..... 916
 - 7.2.8 h3()..... 916
- 8 Whitening sequence sample data 917**
- 9 FEC sample data 920**
- 10 Encryption key sample data 921**
 - 10.1 Four tests of E1 921
 - 10.2 Four tests of E21 926
 - 10.3 Three tests of E22 929
 - 10.4 Tests of E22 with Pin augmenting 931
 - 10.5 Four tests of E3 941
- 11 Connectionless Peripheral Broadcast sample data 946**

Part H
SECURITY SPECIFICATION

- 1 Security overview 951**
 - 1.1 Pausing encryption and role switch 952
 - 1.2 Change connection link keys 953
 - 1.3 Periodically refreshing encryption keys 953
- 2 Random number generation 954**
- 3 Key management 955**
 - 3.1 Key types 955
 - 3.2 Key generation and initialization 957
 - 3.2.1 Generation of initialization key, Kinit 957
 - 3.2.2 Authentication 958
 - 3.2.3 [This section is no longer used] 958
 - 3.2.4 Generation of a combination key 958
 - 3.2.5 Generating the encryption key 959
 - 3.2.6 Point-to-multipoint configuration 960
 - 3.2.7 Modifying the link keys 960
 - 3.2.8 Generating a temporary link key 961
- 4 Encryption (E0) 963**



- 4.1 Encryption key size negotiation 963
- 4.2 Encryption of broadcast messages 964
- 4.3 Encryption concept 964
- 4.4 Encryption algorithm 965
 - 4.4.1 The operation of the cipher 967
- 4.5 LFSR initialization 968
- 4.6 Key stream sequence 971
- 5 Authentication 972**
 - 5.1 Repeated attempts 975
- 6 The authentication and key-generating functions 976**
 - 6.1 The authentication function E1 976
 - 6.2 The functions A_r and A_r' 978
 - 6.2.1 The round computations 978
 - 6.2.2 The substitution boxes “e” and “l” 978
 - 6.2.3 Key scheduling 979
 - 6.3 E2-key generation function for authentication 980
 - 6.4 E3-key generation function for encryption 982
- 7 Secure Simple Pairing 983**
 - 7.1 Phase 1: Public key exchange 984
 - 7.2 Phase 2: Authentication stage 1 985
 - 7.2.1 Authentication stage 1: Numeric Comparison protocol 985
 - 7.2.2 Authentication stage 1: Out of Band protocol 987
 - 7.2.3 Authentication stage 1: Passkey Entry protocol 989
 - 7.3 Phase 3: Authentication stage 2 991
 - 7.4 Phase 4: Link key calculation 992
 - 7.5 Phase 5: LMP authentication and encryption 993
 - 7.6 Elliptic curve definition 993
 - 7.7 Cryptographic function definitions 994
 - 7.7.1 The Secure Simple Pairing commitment function f_1 ... 994
 - 7.7.2 The Secure Simple Pairing numeric verification function g 995
 - 7.7.3 The Secure Simple Pairing key derivation function f_2 996
 - 7.7.4 The Secure Simple Pairing check function f_3 997
 - 7.7.5 [This section is no longer used] 998
 - 7.7.6 The AES encryption key generation function h_3 998
 - 7.7.7 The Device authentication key generation function h_4 999
 - 7.7.8 The Device authentication confirmation function h_5 ... 999
- 8 [This section is no longer used] 1001**
- 9 AES-CCM encryption for BR/EDR 1002**



9.1	Nonce formats	1002
9.2	Counter mode blocks	1004
9.3	Encryption blocks	1006
9.4	Encryption key size reduction	1006
9.5	Repeated MIC failures	1006



Host

Specification Volume 3

Part A

LOGICAL LINK CONTROL AND ADAPTATION PROTOCOL SPECIFICATION

1	Introduction	1014
1.1	L2CAP features	1014
1.2	Assumptions	1017
1.3	Scope	1018
1.4	Terminology	1018
2	General operation	1022
2.1	Channel identifiers	1022
2.2	Operation between devices	1025
2.3	Operation between layers	1026
2.4	Modes of operation	1027
2.5	Mapping channels to logical links	1028
3	Data packet format	1029
3.1	Connection-oriented channels in Basic L2CAP mode	1029
3.2	Connectionless data channel in Basic L2CAP mode	1030
3.3	Connection-oriented channel in Retransmission/Flow Control/ Streaming modes	1031
3.3.1	L2CAP header fields	1031
3.3.2	Control field	1032
3.3.3	L2CAP SDU Length field (2 octets)	1035
3.3.4	Information Payload field	1035
3.3.5	Frame Check Sequence (2 octets)	1036
3.3.6	Invalid Frame Detection (Retransmission and Flow Control modes)	1037
3.3.7	Invalid Frame Detection algorithm	1037
3.4	Connection-oriented channels in LE Credit Based Flow Control mode and Enhanced Credit Based Flow Control mode	1038
3.4.1	L2CAP Header fields	1039
3.4.2	L2CAP SDU Length field (2 octets)	1039
3.4.3	Information Payload field	1039
4	Signaling packet formats	1040
4.1	L2CAP_COMMAND_REJECT_RSP (code 0x01)	1043
4.2	L2CAP_CONNECTION_REQ (code 0x02)	1044
4.3	L2CAP_CONNECTION_RSP (code 0x03)	1046



4.4	L2CAP_CONFIGURATION_REQ (code 0x04).....	1047
4.5	L2CAP_CONFIGURATION_RSP (code 0x05)	1049
4.6	L2CAP_DISCONNECTION_REQ (code 0x06)	1052
4.7	L2CAP_DISCONNECTION_RSP (code 0x07).....	1052
4.8	L2CAP_ECHO_REQ (code 0x08)	1053
4.9	L2CAP_ECHO_RSP (code 0x09).....	1053
4.10	L2CAP_INFORMATION_REQ (code 0x0A)	1054
4.11	L2CAP_INFORMATION_RSP (code 0x0B).....	1055
4.12	Extended Feature Mask	1056
4.13	Fixed Channels Supported over BR/EDR.....	1057
4.14	[This section is no longer used]	1058
4.15	[This section is no longer used]	1058
4.16	[This section is no longer used]	1058
4.17	[This section is no longer used]	1058
4.18	[This section is no longer used]	1058
4.19	[This section is no longer used]	1058
4.20	L2CAP_CONNECTION_PARAMETER_UPDATE_REQ (code 0x12).....	1058
4.21	L2CAP_CONNECTION_PARAMETER_UPDATE_RSP (code 0x13).....	1059
4.22	L2CAP_LE_CREDIT_BASED_CONNECTION_REQ (code 0x14) 1060	
4.23	L2CAP_LE_CREDIT_BASED_CONNECTION_RSP (code 0x15) 1062	
4.24	L2CAP_FLOW_CONTROL_CREDIT_IND (code 0x16).....	1063
4.25	L2CAP_CREDIT_BASED_CONNECTION_REQ (code 0x17).....	1064
4.26	L2CAP_CREDIT_BASED_CONNECTION_RSP (code 0x18)	1065
4.27	L2CAP_CREDIT_BASED_RECONFIGURE_REQ (code 0x19) ...	1067
4.28	L2CAP_CREDIT_BASED_RECONFIGURE_RSP (code 0x1A) ...	1068
5	Configuration parameter options	1069
5.1	Maximum Transmission Unit (MTU)	1069
5.2	Flush Timeout option	1071
5.3	Quality of Service (QoS) option	1072
5.4	Retransmission and Flow Control option	1076
5.5	Frame Check Sequence (FCS) option.....	1081
5.6	Extended Flow Specification option.....	1082
5.7	Extended Window Size option	1087
6	State machine	1089
6.1	General rules for the state machine	1089



6.1.1	CLOSED state	1090
6.1.2	WAIT_CONNECT_RSP state	1091
6.1.3	WAIT_CONNECT state	1091
6.1.4	CONFIG state	1091
6.1.5	OPEN state	1096
6.1.6	WAIT_DISCONNECT state	1096
6.1.7	[This section is no longer used]	1097
6.1.8	[This section is no longer used]	1097
6.1.9	[This section is no longer used]	1097
6.1.10	[This section is no longer used]	1097
6.1.11	[This section is no longer used]	1097
6.1.12	[This section is no longer used]	1097
6.2	Timers events	1097
6.2.1	RTX.....	1097
6.2.2	ERTX	1098
7	General procedures	1101
7.1	Configuration process.....	1101
7.1.1	Request Path	1102
7.1.2	Response Path	1103
7.1.3	Lockstep Configuration process.....	1103
7.1.4	Standard Configuration process	1106
7.2	Fragmentation and recombination.....	1108
7.2.1	Fragmentation of L2CAP PDUs.....	1108
7.2.2	Recombination of L2CAP PDUs	1109
7.3	Encapsulation of SDUs.....	1109
7.3.1	Segmentation of L2CAP SDUs	1110
7.3.2	Reassembly of L2CAP SDUs	1111
7.3.3	Segmentation and fragmentation.....	1111
7.4	Delivery of erroneous L2CAP SDUs.....	1112
7.5	Operation with flushing On ACL-U logical links	1112
7.6	Connectionless data channel	1113
7.7	Operation collision resolution	1115
7.8	[This section is no longer used]	1115
7.9	Prioritizing data over HCI.....	1115
7.10	Supporting Extended Flow Specification for BR/EDR and BR/ EDR/LE Controllers	1115
7.11	Enhanced Credit-Based Flow Control Reconfiguration	1117
8	Procedures for Flow Control and Retransmission	1118
8.1	Information retrieval	1118



8.2	Function of PDU Types for Flow Control and Retransmission	1118
8.2.1	Information frame (I-frame)	1118
8.2.2	Supervisory frame (S-frame)	1118
8.3	Variables and sequence numbers	1119
8.3.1	Sending peer	1119
8.3.2	Receiving peer	1121
8.4	Retransmission mode	1123
8.4.1	Transmitting frames	1123
8.4.2	Receiving I-frames	1125
8.4.3	I-frames pulled by the SDU reassembly function	1125
8.4.4	Sending and receiving acknowledgments	1126
8.4.5	Receiving REJ frames	1127
8.4.6	Waiting acknowledgments	1127
8.4.7	Exception conditions	1127
8.5	Flow Control mode	1129
8.5.1	Transmitting I-frames	1129
8.5.2	Receiving I-frames	1130
8.5.3	I-frames pulled by the SDU reassembly function	1130
8.5.4	Sending and receiving acknowledgments	1130
8.5.5	Waiting acknowledgments	1131
8.5.6	Exception conditions	1131
8.6	Enhanced Retransmission mode	1132
8.6.1	Function of PDU types	1133
8.6.2	Rules for timers	1134
8.6.3	General rules for the state machine	1135
8.6.4	State diagram	1136
8.6.5	States tables	1137
8.7	Streaming mode	1161
8.7.1	Transmitting I-frames	1161
8.7.2	Receiving I-frames	1161
8.7.3	Exception conditions	1162
9	[This section is no longer used]	1163
10	Procedures for Credit Based Flow Control	1164
10.1	LE Credit Based Flow Control mode	1164
10.2	Enhanced Credit Based Flow Control Mode	1165
Appendix A Configuration MSCs		1166
Appendix B Changes to signaling packet names		1169



Part B

SERVICE DISCOVERY PROTOCOL (SDP) SPECIFICATION

- 1 Introduction 1174**
 - 1.1 General description 1174
 - 1.2 Motivation 1174
 - 1.3 Requirements 1174
 - 1.4 Non-requirements and deferred requirements..... 1175
 - 1.5 Conventions..... 1175
 - 1.5.1 Bit and byte ordering conventions..... 1175
- 2 Overview 1176**
 - 2.1 SDP Client-Server architecture..... 1176
 - 2.2 Service record 1177
 - 2.3 Service attribute..... 1179
 - 2.3.1 Attribute ID 1179
 - 2.3.2 Attribute value 1180
 - 2.4 Service class 1180
 - 2.4.1 A printer service class example 1181
 - 2.5 Searching for services 1181
 - 2.5.1 UUID 1181
 - 2.5.2 Service search patterns 1182
 - 2.6 Browsing for services 1182
 - 2.6.1 Example service browsing hierarchy 1183
- 3 Data representation 1185**
 - 3.1 Data element 1185
 - 3.2 Data element type descriptor..... 1185
 - 3.3 Data element size descriptor 1186
 - 3.4 Data element examples 1187
- 4 Protocol description 1188**
 - 4.1 Transfer byte order 1188
 - 4.2 Protocol Data Unit format 1188
 - 4.3 Partial responses and continuation state..... 1189
 - 4.4 Error handling 1190
 - 4.4.1 SDP_ERROR_RSP PDU..... 1190
 - 4.5 Service Search transaction..... 1191
 - 4.5.1 SDP_SERVICE_SEARCH_REQ PDU 1192
 - 4.5.2 SDP_SERVICE_SEARCH_RSP PDU 1193
 - 4.6 Service Attribute transaction..... 1194
 - 4.6.1 SDP_SERVICE_ATTR_REQ PDU 1194
 - 4.6.2 SDP_SERVICE_ATTR_RSP PDU 1196
 - 4.7 Service Search Attribute transaction 1197



4.7.1 SDP_SERVICE_SEARCH_ATTR_REQ PDU 1197

4.7.2 SDP_SERVICE_SEARCH_ATTR_RSP PDU..... 1199

5 Service attribute definitions..... 1201

5.1 Universal attribute definitions 1201

5.1.1 ServiceRecordHandle attribute 1201

5.1.2 ServiceClassIDList attribute..... 1201

5.1.3 ServiceRecordState attribute 1202

5.1.4 ServiceID attribute 1202

5.1.5 ProtocolDescriptorList attribute..... 1202

5.1.6 AdditionalProtocolDescriptorList attribute 1204

5.1.7 BrowseGroupList attribute 1205

5.1.8 LanguageBaseAttributeIDList attribute 1205

5.1.9 ServiceInfoTimeToLive attribute..... 1206

5.1.10 ServiceAvailability attribute 1206

5.1.11 BluetoothProfileDescriptorList attribute..... 1207

5.1.12 DocumentationURL attribute..... 1208

5.1.13 ClientExecutableURL attribute..... 1208

5.1.14 IconURL attribute 1208

5.1.15 ServiceName attribute 1209

5.1.16 ServiceDescription attribute 1209

5.1.17 ProviderName attribute 1209

5.1.18 Reserved universal attribute IDs..... 1210

5.2 ServiceDiscoveryServer service class attribute definitions.... 1210

5.2.1 ServiceRecordHandle attribute 1210

5.2.2 ServiceClassIDList attribute 1210

5.2.3 VersionNumberList attribute..... 1210

5.2.4 ServiceDatabaseState attribute 1211

5.2.5 Reserved attribute IDs 1211

5.3 BrowseGroupDescriptor service class attribute definitions.... 1211

5.3.1 ServiceClassIDList attribute..... 1212

5.3.2 GroupID attribute 1212

5.3.3 Reserved attribute IDs 1212

6 Security..... 1213

Appendix A Background information 1214

A.1 Service discovery 1214

A.2 Bluetooth Service Discovery 1214



Appendix B Example SDP Transactions 1215

- B.1 SDP example 1 – ServiceSearchRequest 1215
- B.2 SDP example 2 – ServiceAttributeTransaction 1217
- B.3 SDP example 3 – ServiceSearchAttributeTransaction 1219

Appendix C Changes to PDU names 1227

Part C

GENERIC ACCESS PROFILE

1 Foreword 1239

- 1.1 Scope 1239
- 1.2 Symbols and conventions..... 1240
 - 1.2.1 [This section is no longer used] 1240
 - 1.2.2 Signaling diagram conventions 1240
 - 1.2.3 Notation for timers and counters 1241
 - 1.2.4 Notation for UUIDs..... 1241

2 Profile overview 1242

- 2.1 Profile stack 1242
- 2.2 Profile roles..... 1242
 - 2.2.1 Roles when operating over BR/EDR Physical Transport.. 1242
 - 2.2.2 Roles when operating over an LE physical transport 1243
- 2.3 User requirements and scenarios..... 1246
- 2.4 Profile fundamentals 1247
- 2.5 Conformance 1247

3 User interface aspects 1248

- 3.1 The user interface level 1248
- 3.2 Representation of Bluetooth parameters 1248
 - 3.2.1 Bluetooth Device Address (BD_ADDR) 1248
 - 3.2.2 Bluetooth Device Name (the user-friendly name)..... 1248
 - 3.2.3 Bluetooth Passkey (Bluetooth PIN)..... 1249
 - 3.2.4 Class of Device 1251
 - 3.2.5 Appearance characteristic 1252
 - 3.2.6 Broadcast Code 1252
- 3.3 Pairing 1253

4 Modes – BR/EDR physical transport..... 1254

- 4.1 Discoverability modes..... 1254
 - 4.1.1 Non-discoverable mode 1255
 - 4.1.2 Limited Discoverable mode..... 1255



- 4.1.3 General Discoverable mode 1256
- 4.2 Connectability modes 1257
 - 4.2.1 Non-connectable mode 1257
 - 4.2.2 Connectable mode 1257
- 4.3 Bondable modes 1259
 - 4.3.1 Non-bondable mode 1259
 - 4.3.2 Bondable mode 1259
- 4.4 Synchronizability modes 1260
 - 4.4.1 Non-synchronizable mode 1260
 - 4.4.2 Synchronizable mode 1260
- 5 Security aspects – BR/EDR physical transport 1262**
 - 5.1 Authentication 1262
 - 5.1.1 Purpose 1262
 - 5.1.2 Term on UI level 1262
 - 5.1.3 Procedure 1263
 - 5.1.4 Conditions 1263
 - 5.2 Security modes 1264
 - 5.2.1 Legacy security modes 1265
 - 5.2.2 Security mode 4 (service level enforced security) ... 1266
- 6 Idle mode procedures – BR/EDR physical transport..... 1283**
 - 6.1 General Inquiry 1283
 - 6.1.1 Purpose 1283
 - 6.1.2 Term on UI level 1283
 - 6.1.3 Description 1284
 - 6.1.4 Conditions 1284
 - 6.2 Limited Inquiry 1284
 - 6.2.1 Purpose 1284
 - 6.2.2 Term on UI level 1285
 - 6.2.3 Description 1285
 - 6.2.4 Conditions 1285
 - 6.3 Name Discovery 1285
 - 6.3.1 Purpose 1285
 - 6.3.2 Term on UI level 1285
 - 6.3.3 Description 1286
 - 6.3.4 Conditions 1287
 - 6.4 Device Discovery 1287
 - 6.4.1 Purpose 1287
 - 6.4.2 Term on UI level 1287
 - 6.4.3 Description 1288



- 6.4.4 Conditions 1288
- 6.5 Bonding 1288
 - 6.5.1 Purpose..... 1288
 - 6.5.2 Term on UI level 1289
 - 6.5.3 Description 1289
 - 6.5.4 Conditions 1291
- 7 Establishment procedures – BR/EDR physical transport..... 1292**
 - 7.1 Link Establishment 1292
 - 7.1.1 Purpose..... 1292
 - 7.1.2 Term on UI level 1292
 - 7.1.3 Description 1293
 - 7.1.4 Conditions 1294
 - 7.2 Channel Establishment..... 1295
 - 7.2.1 Purpose..... 1295
 - 7.2.2 Term on UI level 1295
 - 7.2.3 Description 1295
 - 7.2.4 Conditions 1296
 - 7.3 Connection Establishment..... 1297
 - 7.3.1 Purpose..... 1297
 - 7.3.2 Term on UI level 1297
 - 7.3.3 Description 1297
 - 7.3.4 Conditions 1298
 - 7.4 Establishment of additional connection 1298
 - 7.5 Synchronization Establishment 1299
 - 7.5.1 Purpose..... 1299
 - 7.5.2 Term on UI Level..... 1299
 - 7.5.3 Description 1299
 - 7.5.4 Conditions 1299
- 8 Extended inquiry response data format 1301**
- 9 Operational modes and procedures – LE physical transport.... 1303**
 - 9.1 Broadcast mode and Observation procedure 1303
 - 9.1.1 Broadcast mode..... 1304
 - 9.1.2 Observation procedure 1304
 - 9.2 Discovery modes and procedures 1305
 - 9.2.1 Requirements..... 1305
 - 9.2.2 Non-discoverable mode 1305
 - 9.2.3 Limited Discoverable mode..... 1306
 - 9.2.4 General Discoverable mode 1307



- 9.2.5 Limited Discovery procedure 1308
- 9.2.6 General Discovery procedure 1310
- 9.2.7 Name Discovery procedure 1311
- 9.3 Connection modes and procedures..... 1312
 - 9.3.1 Requirements..... 1312
 - 9.3.2 Non-connectable mode..... 1313
 - 9.3.3 Directed Connectable mode 1313
 - 9.3.4 Undirected Connectable mode 1314
 - 9.3.5 Auto Connection Establishment procedure..... 1314
 - 9.3.6 General Connection Establishment procedure 1315
 - 9.3.7 Selective Connection Establishment procedure 1317
 - 9.3.8 Direct Connection Establishment procedure..... 1319
 - 9.3.9 Connection Parameter Update procedure 1320
 - 9.3.10 Terminate Connection procedure..... 1320
 - 9.3.11 Connection Establishment Timing parameters 1321
 - 9.3.12 Connection interval timing parameters 1322
 - 9.3.13 Connected Isochronous Stream Central Establishment procedure..... 1323
 - 9.3.14 Connected Isochronous Stream Peripheral Establishment procedure..... 1324
 - 9.3.15 Connected Isochronous Stream Terminate procedure 1324
 - 9.3.16 Connection Subrate procedure 1324
- 9.4 Bonding modes and procedures..... 1325
 - 9.4.1 Requirements..... 1325
 - 9.4.2 Non-bondable mode 1325
 - 9.4.3 Bondable mode..... 1326
 - 9.4.4 Bonding procedure..... 1326
- 9.5 Periodic advertising modes and procedure 1327
 - 9.5.1 Periodic Advertising Synchronizability mode 1327
 - 9.5.2 Periodic Advertising mode 1328
 - 9.5.3 Periodic Advertising Synchronization Establishment procedure..... 1328
 - 9.5.4 Periodic Advertising Synchronization Transfer procedure 1329
 - 9.5.5 Periodic Advertising Connection procedure 1329
- 9.6 Isochronous Broadcast modes and procedures 1329
 - 9.6.1 Broadcast Isochronous Synchronizability mode 1330
 - 9.6.2 Broadcast Isochronous Broadcasting mode 1330



- 9.6.3 Broadcast Isochronous Synchronization Establishment procedure..... 1331
- 9.6.4 Broadcast Isochronous Channel Map Update procedure . 1331
- 9.6.5 Broadcast Isochronous Terminate procedure 1331
- 10 Security aspects – LE physical transport..... 1332**
 - 10.1 Requirements 1333
 - 10.2 LE security modes 1333
 - 10.2.1 LE security mode 1 1333
 - 10.2.2 LE security mode 2 1334
 - 10.2.3 Mixed security modes requirements 1334
 - 10.2.4 Secure Connections Only mode 1335
 - 10.2.5 LE security mode 3 1335
 - 10.3 Authentication procedure..... 1335
 - 10.3.1 Responding to a service request 1336
 - 10.3.2 Initiating a service request 1340
 - 10.4 Data signing..... 1343
 - 10.4.1 Connection Data Signing procedure 1343
 - 10.4.2 Authenticate Signed Data procedure 1344
 - 10.5 Authorization procedure 1345
 - 10.6 Encryption procedure 1345
 - 10.7 Privacy feature..... 1346
 - 10.7.1 Privacy feature in a Peripheral..... 1347
 - 10.7.2 Privacy feature in a Central..... 1348
 - 10.7.3 Privacy feature in a Broadcaster 1349
 - 10.7.4 Privacy feature in an Observer 1349
 - 10.8 Random Device address 1350
 - 10.8.1 Static address 1350
 - 10.8.2 Private address 1351
 - 10.9 Encrypted Broadcast Isochronous Group..... 1351
 - 10.10 Encrypted Advertising Data procedure 1351
- 11 Advertising and Scan Response data format 1353**
- 12 GAP service and characteristics for GATT Server 1355**
 - 12.1 Device Name characteristic 1356
 - 12.2 Appearance characteristic 1356
 - 12.3 Peripheral Preferred Connection Parameters characteristic . 1357
 - 12.4 Central Address Resolution characteristic 1357
 - 12.5 Resolvable Private Address Only characteristic 1358
 - 12.6 Encrypted Data Key Material 1359
 - 12.7 LE GATT Security Levels Characteristic..... 1360



- 13 BR/EDR/LE operation 1362**
 - 13.1 Modes, procedures, and security aspects 1362
 - 13.1.1 Discoverable mode requirements 1362
 - 13.2 Bonding for BR/EDR/LE device type 1363
 - 13.3 Relationship between physical transports 1363
- 14 BR/EDR/LE security aspects 1364**
 - 14.1 Cross-transport key derivation 1364
 - 14.2 Collision handling 1365
 - 14.3 Secure Connections Only Mode 1365
- 15 Bluetooth Device requirements 1366**
 - 15.1 Bluetooth Device address 1366
 - 15.1.1 Bluetooth Device Address types 1366
 - 15.2 GATT Profile requirements 1366
 - 15.3 SDP requirements 1367
 - 15.4 SDP service record requirement 1367
- 16 Definitions 1370**
 - 16.1 General definitions 1370
 - 16.2 Connection-related definitions 1370
 - 16.3 Device-related definitions 1371
 - 16.4 Procedure-related definitions 1372
 - 16.5 Security-related definitions 1372
- 17 References 1374**
- Appendix A Timers and Constants 1375**
- Appendix B Information Flows of Related Procedures 1381**
 - B.1 LMP – authentication 1381
 - B.2 LMP – pairing 1382
 - B.3 Service Discovery 1383
 - B.4 Generating a resolvable private address 1383
 - B.5 Resolving a resolvable private address 1383

Part D
TEST SUPPORT

- 1 Test methodology 1386**
 - 1.1 BR/EDR test scenarios 1386
 - 1.1.1 Test setup 1386
 - 1.1.2 Transmitter test 1387
 - 1.1.3 LoopBack test 1391
 - 1.1.4 Pause test 1395



1.2 [This section is no longer used] 1395
 1.3 References 1395
2 [This section is no longer used]..... 1396

Part E
[THIS PART IS NO LONGER USED]

Part F
ATTRIBUTE PROTOCOL (ATT)

1 Introduction 1401
 1.1 Scope 1401
 1.2 Conformance 1401
 1.3 Conventions..... 1401
2 Protocol overview 1402
3 Protocol requirements 1404
 3.1 Introduction 1404
 3.2 Basic concepts 1404
 3.2.1 Attribute type..... 1404
 3.2.2 Attribute handle..... 1404
 3.2.3 Attribute handle grouping..... 1405
 3.2.4 Attribute value 1405
 3.2.5 Attribute permissions 1405
 3.2.6 Control-point attributes..... 1407
 3.2.7 Protocol methods 1407
 3.2.8 Exchanging MTU size 1407
 3.2.9 Long attribute values..... 1408
 3.2.10 Atomic operations 1408
 3.2.11 ATT bearers 1409
 3.3 Attribute PDU..... 1409
 3.3.1 Attribute PDU format..... 1411
 3.3.2 Sequential protocol 1412
 3.3.3 Transaction 1413
 3.4 Attribute Protocol PDUs..... 1413
 3.4.1 Error handling 1413
 3.4.2 MTU exchange..... 1416
 3.4.3 Find information 1418
 3.4.4 Reading attributes..... 1422
 3.4.5 Writing attributes 1435
 3.4.6 Queued writes..... 1438



- 3.4.7 Server initiated 1443
- 3.4.8 Attribute Opcode summary 1445
- 3.4.9 Attribute PDU response summary 1446
- 4 Security considerations 1451**
- 5 References 1452**
- Appendix A Changes to PDU names 1453**

Part G

GENERIC ATTRIBUTE PROFILE (GATT)

- 1 Introduction 1459**
 - 1.1 Scope 1459
 - 1.2 Profile dependency 1459
 - 1.3 Conformance 1459
 - 1.4 [This section is no longer used] 1459
 - 1.5 Conventions 1460
- 2 Profile overview 1461**
 - 2.1 Protocol stack 1461
 - 2.2 Configurations and roles 1461
 - 2.3 User requirements and scenarios 1462
 - 2.4 Profile fundamentals 1462
 - 2.5 Attribute Protocol 1463
 - 2.5.1 Overview 1463
 - 2.5.2 Attribute caching 1464
 - 2.5.3 Attribute grouping 1470
 - 2.5.4 UUIDs 1470
 - 2.6 GATT Profile hierarchy 1470
 - 2.6.1 Overview 1470
 - 2.6.2 Service 1471
 - 2.6.3 Included services 1472
 - 2.6.4 Characteristic 1472
 - 2.7 Configured Broadcast 1473
- 3 Service interoperability requirements 1474**
 - 3.1 Service definition 1474
 - 3.2 Include definition 1475
 - 3.3 Characteristic definition 1475
 - 3.3.1 Characteristic declaration 1476
 - 3.3.2 Characteristic Value declaration 1478
 - 3.3.3 Characteristic descriptor declarations 1478



- 3.4 Summary of GATT Profile attribute types 1485
- 4 GATT feature requirements..... 1486**
 - 4.1 Overview..... 1486
 - 4.2 Feature support and procedure mapping 1486
 - 4.3 Server configuration 1488
 - 4.3.1 Exchange MTU 1488
 - 4.4 Primary Service Discovery..... 1489
 - 4.4.1 Discover All Primary Services 1489
 - 4.4.2 Discover Primary Service by Service UUID 1490
 - 4.5 Relationship Discovery 1491
 - 4.5.1 Find Included Services..... 1492
 - 4.6 Characteristic discovery 1493
 - 4.6.1 Discover All Characteristics of a Service 1493
 - 4.6.2 Discover Characteristics by UUID..... 1495
 - 4.7 Characteristic Descriptor Discovery..... 1496
 - 4.7.1 Discover All Characteristic Descriptors 1496
 - 4.8 Characteristic Value Read 1497
 - 4.8.1 Read Characteristic Value 1497
 - 4.8.2 Read Using Characteristic UUID 1498
 - 4.8.3 Read Long Characteristic Values..... 1499
 - 4.8.4 Read Multiple Characteristic Values 1500
 - 4.8.5 Read Multiple Variable Length Characteristic Values 1501
 - 4.9 Characteristic Value Write 1502
 - 4.9.1 Write Without Response 1502
 - 4.9.2 Signed Write Without Response 1503
 - 4.9.3 Write Characteristic Value..... 1503
 - 4.9.4 Write Long Characteristic Values 1504
 - 4.9.5 Reliable Writes..... 1505
 - 4.10 Characteristic Value Notification 1507
 - 4.10.1 Single Notifications 1508
 - 4.10.2 Multiple Variable Length Notifications 1508
 - 4.11 Characteristic Value Indications..... 1508
 - 4.11.1 Indications..... 1509
 - 4.12 Characteristic Descriptors..... 1509
 - 4.12.1 Read Characteristic Descriptors 1509
 - 4.12.2 Read Long Characteristic Descriptors 1510
 - 4.12.3 Write Characteristic Descriptors 1511
 - 4.12.4 Write Long Characteristic Descriptors 1512
 - 4.13 GATT procedure mapping to ATT protocol opcodes..... 1513



4.14 Procedure timeouts 1516

5 L2CAP interoperability requirements 1517

5.1 BR/EDR L2CAP interoperability requirements 1517

5.1.1 ATT_MTU..... 1517

5.1.2 BR/EDR channel requirements..... 1517

5.1.3 [This section is no longer used] 1517

5.2 LE L2CAP interoperability requirements..... 1518

5.2.1 ATT_MTU..... 1518

5.2.2 LE channel requirements 1518

5.3 Enhanced ATT bearer L2CAP interoperability requirements . 1519

5.3.1 ATT_MTU..... 1519

5.3.2 Channel Requirements 1519

5.4 L2CAP collision mitigation 1519

5.5 Bearer support..... 1520

6 GAP interoperability requirements 1521

6.1 BR/EDR GAP interoperability requirements 1521

6.1.1 Connection Establishment 1521

6.2 LE GAP interoperability requirements 1521

6.2.1 Connection Establishment 1521

6.2.2 Profile roles 1522

6.3 Disconnected events 1522

6.3.1 Notifications and indications while disconnected 1522

7 Defined Generic Attribute Profile service 1523

7.1 Service Changed 1523

7.2 Client Supported Features..... 1524

7.3 Database Hash..... 1526

7.3.1 Database Hash calculation 1527

7.4 Server Supported Features 1528

8 Security considerations 1529

8.1 Authentication requirements..... 1529

8.2 Authorization requirements..... 1530

9 SDP interoperability requirements 1531

10 References 1533

Appendix A Example ATT Server contents 1534

Appendix B Example Database Hash 1537



Part H
SECURITY MANAGER SPECIFICATION

1 Introduction 1545

 1.1 Scope 1545

 1.2 Conventions 1545

 1.2.1 Bit and byte ordering conventions 1545

 1.2.2 Random numbers 1546

2 Security Manager 1547

 2.1 Introduction 1547

 2.2 Cryptographic toolbox 1549

 2.2.1 Security function *e* 1550

 2.2.2 Random address hash function *ah* 1550

 2.2.3 Confirm value generation function *c1* for LE legacy pairing
 1551

 2.2.4 Key generation function *s1* for LE legacy pairing 1552

 2.2.5 Function AES-CMAC 1553

 2.2.6 LE Secure Connections confirm value generation function
 f4 1553

 2.2.7 LE Secure Connections key generation function *f5* .. 1554

 2.2.8 LE Secure Connections check value generation function
 f6 1556

 2.2.9 LE Secure Connections numeric comparison value
 generation function *g2* 1557

 2.2.10 Link key conversion function *h6* 1558

 2.2.11 Link key conversion function *h7* 1558

 2.3 Pairing methods 1559

 2.3.1 Security Properties 1559

 2.3.2 IO capabilities 1561

 2.3.3 OOB authentication data 1562

 2.3.4 Encryption key size 1562

 2.3.5 Pairing algorithms 1563

 2.3.6 Repeated attempts 1577

 2.4 Security in Bluetooth Low Energy 1578

 2.4.1 Definition of keys and values 1578

 2.4.2 Generation of distributed keys 1579

 2.4.3 Distribution of keys 1581

 2.4.4 Encrypted session setup 1582

 2.4.5 Signing algorithm 1584

 2.4.6 Peripheral Security Request 1585



- 3 Security Manager Protocol 1588**
 - 3.1 Introduction 1588
 - 3.2 Security Manager Channel over L2CAP 1588
 - 3.3 Command format 1589
 - 3.4 SMP timeout 1590
 - 3.5 Pairing methods 1590
 - 3.5.1 Pairing Request 1590
 - 3.5.2 Pairing Response 1593
 - 3.5.3 Pairing Confirm 1595
 - 3.5.4 Pairing Random 1596
 - 3.5.5 Pairing Failed 1597
 - 3.5.6 Pairing Public Key 1599
 - 3.5.7 Pairing DHKey Check 1599
 - 3.5.8 Keypress Notification 1600
 - 3.6 Security in Bluetooth Low Energy 1600
 - 3.6.1 Key distribution and generation 1600
 - 3.6.2 Encryption Information 1604
 - 3.6.3 Central Identification 1604
 - 3.6.4 Identity Information 1605
 - 3.6.5 Identity Address Information 1606
 - 3.6.6 Signing Information 1606
 - 3.6.7 Security Request 1607
- 4 References 1609**
- Appendix A EDIV and Rand Generation 1610**
 - A.1 EDIV masking 1610
 - A.1.1 DIV mask generation function dm 1610
 - A.1.2 EDIV generation 1611
 - A.1.3 DIV recovery 1611
- Appendix B Key Management 1612**
 - B.1 Database lookup 1612
 - B.2 Key hierarchy 1612
 - B.2.1 Diversifying function $d1$ 1613
 - B.2.2 Generating keys from ER 1614
 - B.2.3 Generating keys from IR 1615
- Appendix C Message sequence charts 1616**



- C.1 Phase 1: Pairing feature exchange 1616
 - C.1.1 Peripheral security request – Central requests pairing 1617
- C.2 Phase 2: Authenticating and encrypting 1617
 - C.2.1 LE legacy pairing 1617
 - C.2.2 LE Secure Connections 1621
- C.3 Phase 3: Transport specific key distribution 1634
- C.4 Security re-established using previously distributed LTK 1634
 - C.4.1 Central initiated security - Central initiated Link Layer encryption 1634
 - C.4.2 Peripheral security request - Central initiated Link Layer encryption 1635
- C.5 Failure conditions 1635
 - C.5.1 Pairing not supported by Peripheral 1635
 - C.5.2 Central rejects pairing because of key size 1636
 - C.5.3 Peripheral rejects pairing because of key size 1636
 - C.5.4 Passkey Entry failure on Central 1637
 - C.5.5 Passkey Entry failure on Peripheral 1638
 - C.5.6 Peripheral rejects Central’s confirm value 1639
 - C.5.7 Central rejects Peripheral’s confirm value 1640
- Appendix D Sample data 1641**
 - D.1 AES-CMAC RFC4493 test vectors 1641
 - D.1.1 Example 1: Len = 0 1641
 - D.1.2 Example 2: Len = 16 1641
 - D.1.3 Example 3: Len = 40 1641
 - D.1.4 Example 4: Len = 64 1641
 - D.2 *f4* LE SC confirm value generation function 1642
 - D.3 *f5* LE SC key generation function 1642
 - D.4 *f6* LE SC check value generation function 1643
 - D.5 *g2* LE SC numeric comparison generation function 1643
 - D.6 *h6* LE SC link key conversion function 1643
 - D.7 *ah* random address hash functions 1644
 - D.8 *h7* LE SC link key conversion function 1644
 - D.9 LTK to link key conversion using CT2=1 1644
 - D.10 LTK to link key conversion using CT2=0 1644
 - D.11 Link key to LTK conversion using CT2=1 1644
 - D.12 Link key to LTK conversion using CT2=0 1644



Host Controller Interface

Specification Volume 4

Part A

UART TRANSPORT LAYER

- 1 General 1648**
- 2 Protocol 1649**
- 3 RS232 settings 1650**
- 4 Error recovery 1651**

Part B

USB TRANSPORT LAYER

- 1 Overview 1654**
- 2 USB endpoint expectations 1656**
 - 2.1 Descriptor overview 1656
 - 2.1.1 Controller descriptors 1656
 - 2.1.2 [This section is no longer used] 1662
 - 2.2 Control endpoint expectations 1662
 - 2.2.1 Single function Controller 1663
 - 2.2.2 Controller function in a composite device 1663
 - 2.2.3 [This section is no longer used] 1663
 - 2.3 Bulk endpoints expectations 1664
 - 2.4 Interrupt endpoint expectations 1664
 - 2.5 Isochronous endpoints expectations 1664
- 3 Class code 1665**
 - 3.1 Bluetooth codes 1665
 - 3.1.1 [This section is no longer used] 1665
 - 3.1.2 [This section is no longer used] 1665
 - 3.1.3 [This section is no longer used] 1665
 - 3.1.4 [This section is no longer used] 1665
- 4 Device firmware upgrade 1666**
- 5 Limitations 1667**
 - 5.1 Power specific limitations 1667
 - 5.2 Other limitations 1667
- 6 Bluetooth Composite Device implementation 1668**
 - 6.1 Configurations 1668



6.2 Using USB Interface Association Descriptors for a Controller function 1668

6.3 [This section is no longer used] 1669

7 References 1670

Part C

SECURE DIGITAL (SD) TRANSPORT LAYER

1 Introduction 1673

2 Goals 1674

2.1 Hardware goals 1674

2.2 Software goals 1674

2.3 Configuration goals 1675

2.4 Configuration for multiple Controllers 1675

3 Physical interface documents 1676

4 Communication 1677

4.1 Overview 1677

Appendix A Acronyms and Abbreviations 1678

Appendix B Related Documents 1679

Appendix C Tests 1680

C.1 Test suite structure 1680

Part D

THREE-WIRE UART TRANSPORT LAYER

1 General 1684

2 Overview 1685

3 Slip layer 1686

3.1 Encoding a packet 1686

3.2 Decoding a packet 1686

4 Packet header 1688

4.1 Sequence Number 1688

4.2 Acknowledge Number 1689

4.3 Data Integrity Check Present 1689

4.4 Reliable Packet 1689

4.5 Packet Type 1689

4.6 Payload Length 1690

4.7 Packet Header Checksum 1690



- 5 Data Integrity Check 1691**
 - 5.1 16-bit CCITT-CRC 1691
- 6 Reliable packets 1692**
 - 6.1 Header Checksum error 1692
 - 6.2 Slip Payload Length error 1692
 - 6.3 Data Integrity Check error 1692
 - 6.4 Out Of Sequence Packet error 1692
 - 6.5 Acknowledgment 1693
 - 6.6 Resending packets 1693
 - 6.7 Example reliable packet flow 1693
- 7 Unreliable packets 1696**
 - 7.1 Unreliable packet header 1696
 - 7.2 Unreliable packet error 1696
- 8 Link Establishment 1697**
 - 8.1 Uninitialized state 1698
 - 8.2 Initialized state 1698
 - 8.3 Active state 1698
 - 8.4 Sync message 1699
 - 8.5 Sync Response message 1699
 - 8.6 Config message 1699
 - 8.7 Config Response message 1700
 - 8.8 Configuration Field 1700
 - 8.8.1 Configuration messages 1701
 - 8.8.2 Sliding window size 1701
 - 8.8.3 Level of Data Integrity Check 1701
 - 8.8.4 Out of Frame Software Flow Control 1702
 - 8.8.5 Version Number 1702
- 9 Low power 1703**
 - 9.1 Wakeup message 1703
 - 9.2 Woken message 1704
 - 9.3 Sleep message 1704
- 10 Out of Frame Control 1705**
 - 10.1 Software Flow Control 1705
- 11 Hardware configuration 1706**
 - 11.1 Wires 1706
 - 11.1.1 Transmit & receive 1706
 - 11.1.2 Ground 1706
 - 11.2 Hardware flow 1706
 - 11.2.1 RTS & CTS 1706
- 12 Recommended parameters 1707**



12.1 Timing parameters 1707

 12.1.1 Acknowledgment of packets 1707

 12.1.2 Resending reliable packets..... 1707

13 References 1708

Part E

HOST CONTROLLER INTERFACE FUNCTIONAL SPECIFICATION

1 Introduction 1725

 1.1 Lower Layers of the Bluetooth software stack 1726

 1.2 Cross-version issues 1727

2 Overview of Host Controller transport layer 1729

 2.1 [This section is no longer used] 1729

3 Overview of commands and events 1730

 3.1 LE Controller requirements 1784

 3.1.1 Legacy and extended advertising 1784

 3.2 Underlying Support 1786

 3.3 Feature Exchange 1787

4 HCI flow control 1788

 4.1 Host to Controller data flow control 1788

 4.1.1 Packet-based data flow control 1788

 4.1.2 Data-block-based data flow control 1790

 4.2 Controller to Host data flow control 1791

 4.3 Disconnection behavior 1792

 4.4 Command flow control 1792

 4.5 Command error handling 1793

 4.6 LMP transaction and LL procedure collisions 1795

 4.7 LE Host and Controller synchronization 1795

 4.8 Versioned events 1795

5 HCI data formats 1796

 5.1 Correctness 1796

 5.2 Data and parameter formats 1796

 5.3 IDs and Handles 1797

 5.3.1 Controller handles 1797

 5.3.2 [This section is no longer used] 1799

 5.4 Exchange of HCI-specific information 1799

 5.4.1 HCI Command packet 1799

 5.4.2 HCI ACL Data packets 1801

 5.4.3 HCI Synchronous Data packets 1803

 5.4.4 HCI Event packet 1804



5.4.5	HCI ISO Data packets.....	1805
5.5	Ignored parameters	1808
6	HCI configuration parameters	1809
6.1	Scan Enable	1809
6.2	Inquiry Scan Interval.....	1809
6.3	Inquiry Scan Window.....	1810
6.4	Inquiry Scan Type.....	1810
6.5	Inquiry mode.....	1810
6.6	Page Timeout	1811
6.7	Connection Accept Timeout.....	1811
6.8	Page Scan Interval	1811
6.9	Page Scan Window	1812
6.10	[This section is no longer used]	1812
6.11	Page Scan Type	1812
6.12	Voice Setting.....	1812
6.13	PIN Type.....	1813
6.14	Link key	1813
6.15	Failed Contact Counter.....	1814
6.16	Authentication Enable.....	1814
6.17	Hold Mode Activity	1815
6.18	Link Policy Settings	1815
6.19	Flush Timeout	1816
6.20	Num Broadcast Retransmissions	1816
6.21	Link Supervision Timeout	1817
6.22	Synchronous Flow Control Enable	1817
6.23	Local Name	1818
6.24	Extended Inquiry response.....	1818
6.25	Erroneous Data Reporting.....	1818
6.26	Class of Device.....	1819
6.27	Supported commands	1819
6.28	[This section is no longer used]	1831
6.29	[This section is no longer used]	1831
6.30	[This section is no longer used]	1831
6.31	[This section is no longer used]	1831
6.32	[This section is no longer used]	1831
6.33	Flow Control mode	1831
6.34	LE Supported Host	1832
6.35	[This section is no longer used]	1832
6.36	Sync Train Interval.....	1832
6.37	Sync Train Timeout.....	1832
6.38	Service Data	1833
6.39	Secure Connections Host Support	1833



6.40	Authenticated Payload Timeout	1833
6.41	Extended Page Timeout	1834
6.42	Extended Inquiry Length	1834
7	HCI commands and events	1835
7.1	Link Control commands	1835
7.1.1	Inquiry command	1835
7.1.2	Inquiry Cancel command	1837
7.1.3	Periodic Inquiry Mode command	1838
7.1.4	Exit Periodic Inquiry Mode command	1841
7.1.5	Create Connection command	1842
7.1.6	Disconnect command	1845
7.1.7	Create Connection Cancel command	1847
7.1.8	Accept Connection Request command	1849
7.1.9	Reject Connection Request command	1851
7.1.10	Link Key Request Reply command	1852
7.1.11	Link Key Request Negative Reply command	1854
7.1.12	PIN Code Request Reply command	1856
7.1.13	PIN Code Request Negative Reply command	1858
7.1.14	Change Connection Packet Type command	1859
7.1.15	Authentication Requested command	1861
7.1.16	Set Connection Encryption command	1863
7.1.17	Change Connection Link Key command	1865
7.1.18	Link Key Selection command	1866
7.1.19	Remote Name Request command	1868
7.1.20	Remote Name Request Cancel command	1870
7.1.21	Read Remote Supported Features command	1872
7.1.22	Read Remote Extended Features command	1873
7.1.23	Read Remote Version Information command	1874
7.1.24	Read Clock Offset command	1875
7.1.25	Read LMP Handle command	1876
7.1.26	Setup Synchronous Connection command	1878
7.1.27	Accept Synchronous Connection Request command	1882
7.1.28	Reject Synchronous Connection Request command	1886
7.1.29	IO Capability Request Reply command	1887
7.1.30	User Confirmation Request Reply command	1890
7.1.31	User Confirmation Request Negative Reply command	1891



- 7.1.32 User Passkey Request Reply command 1892
- 7.1.33 User Passkey Request Negative Reply command ... 1893
- 7.1.34 Remote OOB Data Request Reply command 1894
- 7.1.35 Remote OOB Data Request Negative Reply command ... 1896
- 7.1.36 IO Capability Request Negative Reply command..... 1897
- 7.1.37 [This section is no longer used] 1899
- 7.1.38 [This section is no longer used] 1899
- 7.1.39 [This section is no longer used] 1899
- 7.1.40 [This section is no longer used] 1899
- 7.1.41 [This section is no longer used] 1899
- 7.1.42 [This section is no longer used] 1899
- 7.1.43 [This section is no longer used] 1899
- 7.1.44 [This section is no longer used] 1899
- 7.1.45 Enhanced Setup Synchronous Connection command 1900
- 7.1.46 Enhanced Accept Synchronous Connection Request command 1910
- 7.1.47 Truncated Page command..... 1916
- 7.1.48 Truncated Page Cancel command 1918
- 7.1.49 Set Connectionless Peripheral Broadcast command 1920
- 7.1.50 Set Connectionless Peripheral Broadcast Receive command 1924
- 7.1.51 Start Synchronization Train command..... 1928
- 7.1.52 Receive Synchronization Train command 1929
- 7.1.53 Remote OOB Extended Data Request Reply command .. 1931
- 7.2 Link Policy commands..... 1933
 - 7.2.1 Hold Mode command..... 1933
 - 7.2.2 Sniff Mode command..... 1936
 - 7.2.3 Exit Sniff Mode command..... 1939
 - 7.2.4 [This section is no longer used] 1940
 - 7.2.5 [This section is no longer used] 1940
 - 7.2.6 QoS Setup command..... 1941
 - 7.2.7 Role Discovery command..... 1944
 - 7.2.8 Switch Role command 1945
 - 7.2.9 Read Link Policy Settings command 1947
 - 7.2.10 Write Link Policy Settings command..... 1949
 - 7.2.11 Read Default Link Policy Settings command 1951



7.2.12	Write Default Link Policy Settings command	1952
7.2.13	Flow Specification command	1953
7.2.14	Sniff Subrating command.....	1956
7.3	Controller & Baseband commands	1958
7.3.1	Set Event Mask command	1958
7.3.2	Reset command.....	1961
7.3.3	Set Event Filter command.....	1962
7.3.4	Flush command	1968
7.3.5	Read PIN Type command.....	1970
7.3.6	Write PIN Type command.....	1971
7.3.7	[This section is no longer used]	1972
7.3.8	Read Stored Link Key command	1973
7.3.9	Write Stored Link Key command	1975
7.3.10	Delete Stored Link Key command	1977
7.3.11	Write Local Name command.....	1979
7.3.12	Read Local Name command	1980
7.3.13	Read Connection Accept Timeout command	1981
7.3.14	Write Connection Accept Timeout command.....	1982
7.3.15	Read Page Timeout command	1983
7.3.16	Write Page Timeout command	1984
7.3.17	Read Scan Enable command	1985
7.3.18	Write Scan Enable command	1986
7.3.19	Read Page Scan Activity command.....	1987
7.3.20	Write Page Scan Activity command.....	1989
7.3.21	Read Inquiry Scan Activity command	1990
7.3.22	Write Inquiry Scan Activity command	1991
7.3.23	Read Authentication Enable command.....	1992
7.3.24	Write Authentication Enable command.....	1993
7.3.25	Read Class of Device command.....	1994
7.3.26	Write Class of Device command.....	1995
7.3.27	Read Voice Setting command	1996
7.3.28	Write Voice Setting command.....	1997
7.3.29	Read Automatic Flush Timeout command.....	1998
7.3.30	Write Automatic Flush Timeout command.....	1999
7.3.31	Read Num Broadcast Retransmissions command ...	2001
7.3.32	Write Num Broadcast Retransmissions command ...	2002
7.3.33	Read Hold Mode Activity command.....	2003
7.3.34	Write Hold Mode Activity command	2004



7.3.35	Read Transmit Power Level command.....	2005
7.3.36	Read Synchronous Flow Control Enable command .	2007
7.3.37	Write Synchronous Flow Control Enable command .	2008
7.3.38	Set Controller To Host Flow Control command	2009
7.3.39	Host Buffer Size command	2011
7.3.40	Host Number Of Completed Packets command.....	2013
7.3.41	Read Link Supervision Timeout command	2015
7.3.42	Write Link Supervision Timeout command	2017
7.3.43	Read Number Of Supported IAC command	2019
7.3.44	Read Current IAC LAP command.....	2020
7.3.45	Write Current IAC LAP command.....	2021
7.3.46	Set AFH Host Channel Classification command.....	2023
7.3.47	Read Inquiry Scan Type command.....	2024
7.3.48	Write Inquiry Scan Type command.....	2025
7.3.49	Read Inquiry Mode command.....	2026
7.3.50	Write Inquiry Mode command	2027
7.3.51	Read Page Scan Type command	2028
7.3.52	Write Page Scan Type command	2029
7.3.53	Read AFH Channel Assessment Mode command ...	2030
7.3.54	Write AFH Channel Assessment Mode command....	2031
7.3.55	Read Extended Inquiry Response command	2033
7.3.56	Write Extended Inquiry Response command.....	2034
7.3.57	Refresh Encryption Key command	2035
7.3.58	Read Simple Pairing Mode command	2036
7.3.59	Write Simple Pairing Mode command.....	2037
7.3.60	Read Local OOB Data command	2039
7.3.61	Read Inquiry Response Transmit Power Level command 2041	
7.3.62	Write Inquiry Transmit Power Level command	2042
7.3.63	Send Keypress Notification command	2043
7.3.64	Read Default Erroneous Data Reporting command .	2045
7.3.65	Write Default Erroneous Data Reporting command..	2046
7.3.66	Enhanced Flush command	2047
7.3.67	[This section is no longer used]	2049
7.3.68	[This section is no longer used]	2049
7.3.69	Set Event Mask Page 2 command.....	2050
7.3.70	[This section is no longer used]	2052
7.3.71	[This section is no longer used]	2052



7.3.72	Read Flow Control Mode command	2053
7.3.73	Write Flow Control Mode command.....	2054
7.3.74	Read Enhanced Transmit Power Level command....	2055
7.3.75	[This section is no longer used]	2057
7.3.76	[This section is no longer used]	2057
7.3.77	[This section is no longer used]	2057
7.3.78	Read LE Host Support command	2058
7.3.79	Write LE Host Support command	2059
7.3.80	Set MWS Channel Parameters command.....	2060
7.3.81	Set External Frame Configuration command.....	2062
7.3.82	Set MWS Signaling command	2065
7.3.83	Set MWS Transport Layer command.....	2070
7.3.84	Set MWS Scan Frequency Table command.....	2071
7.3.85	Set MWS_PATTERN Configuration command.....	2073
7.3.86	Set Reserved LT_ADDR command	2076
7.3.87	Delete Reserved LT_ADDR command	2078
7.3.88	Set Connectionless Peripheral Broadcast Data command	2079
7.3.89	Read Synchronization Train Parameters command .	2081
7.3.90	Write Synchronization Train Parameters command .	2083
7.3.91	Read Secure Connections Host Support command .	2085
7.3.92	Write Secure Connections Host Support command .	2086
7.3.93	Read Authenticated Payload Timeout command.....	2088
7.3.94	Write Authenticated Payload Timeout command.....	2090
7.3.95	Read Local OOB Extended Data command	2092
7.3.96	Read Extended Page Timeout command	2094
7.3.97	Write Extended Page Timeout command	2095
7.3.98	Read Extended Inquiry Length command.....	2096
7.3.99	Write Extended Inquiry Length command.....	2097
7.3.100	Set Ecosystem Base Interval command	2098
7.3.101	Configure Data Path command.....	2100
7.3.102	Set Min Encryption Key Size command.....	2102
7.4	Informational parameters.....	2103
7.4.1	Read Local Version Information command	2103
7.4.2	Read Local Supported Commands command	2105
7.4.3	Read Local Supported Features command	2106
7.4.4	Read Local Extended Features command.....	2107
7.4.5	Read Buffer Size command	2109



- 7.4.6 Read BD_ADDR command2111
- 7.4.7 Read Data Block Size command 2112
- 7.4.8 Read Local Supported Codecs command 2114
- 7.4.9 Read Local Simple Pairing Options command 2117
- 7.4.10 Read Local Supported Codec Capabilities command 2119
- 7.4.11 Read Local Supported Controller Delay command... 2121
- 7.5 Status parameters 2124
 - 7.5.1 Read Failed Contact Counter command..... 2124
 - 7.5.2 Reset Failed Contact Counter command..... 2126
 - 7.5.3 Read Link Quality command..... 2127
 - 7.5.4 Read RSSI command 2129
 - 7.5.5 Read AFH Channel Map command 2131
 - 7.5.6 Read Clock command..... 2133
 - 7.5.7 Read Encryption Key Size command 2135
 - 7.5.8 [This section is no longer used] 2137
 - 7.5.9 [This section is no longer used] 2137
 - 7.5.10 [This section is no longer used] 2137
 - 7.5.11 Get MWS Transport Layer Configuration command. 2138
 - 7.5.12 Set Triggered Clock Capture command..... 2141
- 7.6 Testing commands..... 2144
 - 7.6.1 Read Loopback Mode command 2144
 - 7.6.2 Write Loopback Mode command 2146
 - 7.6.3 Enable Device Under Test Mode command 2149
 - 7.6.4 Write Simple Pairing Debug Mode command 2150
 - 7.6.5 [This section is no longer used] 2152
 - 7.6.6 [This section is no longer used] 2152
 - 7.6.7 [This section is no longer used] 2152
 - 7.6.8 Write Secure Connections Test Mode command 2153
- 7.7 Events..... 2156
 - 7.7.1 Inquiry Complete event..... 2156
 - 7.7.2 Inquiry Result event..... 2157
 - 7.7.3 Connection Complete event..... 2159
 - 7.7.4 Connection Request event..... 2161
 - 7.7.5 Disconnection Complete event 2163
 - 7.7.6 Authentication Complete event..... 2165
 - 7.7.7 Remote Name Request Complete event 2166
 - 7.7.8 Encryption Change event..... 2167



7.7.9	Change Connection Link Key Complete event	2169
7.7.10	Link Key Type Changed event.....	2170
7.7.11	Read Remote Supported Features Complete event.	2172
7.7.12	Read Remote Version Information Complete event .	2173
7.7.13	QoS Setup Complete event	2175
7.7.14	Command Complete event	2177
7.7.15	Command Status event	2179
7.7.16	Hardware Error event.....	2181
7.7.17	Flush Occurred event.....	2182
7.7.18	Role Change event	2183
7.7.19	Number Of Completed Packets event	2184
7.7.20	Mode Change event.....	2186
7.7.21	Return Link Keys event.....	2188
7.7.22	PIN Code Request event	2189
7.7.23	Link Key Request event.....	2190
7.7.24	Link Key Notification event.....	2191
7.7.25	Loopback Command event.....	2193
7.7.26	Data Buffer Overflow event.....	2194
7.7.27	Max Slots Change event.....	2195
7.7.28	Read Clock Offset Complete event.....	2196
7.7.29	Connection Packet Type Changed event	2197
7.7.30	QoS Violation event	2199
7.7.31	Page Scan Repetition Mode Change event.....	2200
7.7.32	Flow Specification Complete event.....	2201
7.7.33	Inquiry Result with RSSI event	2204
7.7.34	Read Remote Extended Features Complete event ..	2206
7.7.35	Synchronous Connection Complete event.....	2208
7.7.36	Synchronous Connection Changed event	2211
7.7.37	Sniff Subrating event.....	2213
7.7.38	Extended Inquiry Result event.....	2215
7.7.39	Encryption Key Refresh Complete event.....	2218
7.7.40	IO Capability Request event	2219
7.7.41	IO Capability Response event	2220
7.7.42	User Confirmation Request event.....	2222
7.7.43	User Passkey Request event.....	2223
7.7.44	Remote OOB Data Request event.....	2224
7.7.45	Simple Pairing Complete event.....	2225
7.7.46	Link Supervision Timeout Changed event	2226



7.7.47	Enhanced Flush Complete event.....	2227
7.7.48	User Passkey Notification event	2228
7.7.49	Keypress Notification event	2229
7.7.50	Remote Host Supported Features Notification event	2230
7.7.51	[This section is no longer used]	2231
7.7.52	[This section is no longer used]	2231
7.7.53	[This section is no longer used]	2231
7.7.54	[This section is no longer used]	2231
7.7.55	[[This section is no longer used]	2231
7.7.56	[This section is no longer used]	2231
7.7.57	[This section is no longer used]	2231
7.7.58	[This section is no longer used]	2231
7.7.59	Number Of Completed Data Blocks event.....	2232
7.7.60	[This section is no longer used]	2234
7.7.61	[This section is no longer used]	2234
7.7.62	[This section is no longer used]	2234
7.7.63	[This section is no longer used]	2234
7.7.64	[This section is no longer used]	2234
7.7.65	LE Meta event.....	2235
7.7.66	Triggered Clock Capture event.....	2326
7.7.67	Synchronization Train Complete event.....	2328
7.7.68	Synchronization Train Received event	2329
7.7.69	Connectionless Peripheral Broadcast Receive event	2331
7.7.70	Connectionless Peripheral Broadcast Timeout event	2333
7.7.71	Truncated Page Complete event	2334
7.7.72	Peripheral Page Response Timeout event	2335
7.7.73	Connectionless Peripheral Broadcast Channel Map Change event.....	2336
7.7.74	Inquiry Response Notification event	2337
7.7.75	Authenticated Payload Timeout Expired event.....	2338
7.7.76	SAM Status Change event.....	2339
7.8	LE Controller commands	2341
7.8.1	LE Set Event Mask command.....	2341
7.8.2	LE Read Buffer Size command.....	2344
7.8.3	LE Read Local Supported Features command.....	2347
7.8.4	LE Set Random Address command.....	2348
7.8.5	LE Set Advertising Parameters command	2350
7.8.6	LE Read Advertising Physical Channel Tx Power	



command	2354
7.8.7 LE Set Advertising Data command	2355
7.8.8 LE Set Scan Response Data command	2357
7.8.9 LE Set Advertising Enable command	2359
7.8.10 LE Set Scan Parameters command.....	2361
7.8.11 LE Set Scan Enable command	2364
7.8.12 LE Create Connection command.....	2366
7.8.13 LE Create Connection Cancel command.....	2372
7.8.14 LE Read Filter Accept List Size command.....	2373
7.8.15 LE Clear Filter Accept List command.....	2374
7.8.16 LE Add Device To Filter Accept List command.....	2375
7.8.17 LE Remove Device From Filter Accept List command	2377
7.8.18 LE Connection Update command	2379
7.8.19 LE Set Host Channel Classification command	2382
7.8.20 LE Read Channel Map command.....	2383
7.8.21 LE Read Remote Features command	2385
7.8.22 LE Encrypt command.....	2386
7.8.23 LE Rand command	2388
7.8.24 LE Enable Encryption command.....	2389
7.8.25 LE Long Term Key Request Reply command.....	2391
7.8.26 LE Long Term Key Request Negative Reply command ...	2393
7.8.27 LE Read Supported States command	2394
7.8.28 LE Receiver Test command.....	2397
7.8.29 LE Transmitter Test command.....	2401
7.8.30 LE Test End command	2406
7.8.31 LE Remote Connection Parameter Request Reply command	2407
7.8.32 LE Remote Connection Parameter Request Negative Reply command	2410
7.8.33 LE Set Data Length command.....	2412
7.8.34 LE Read Suggested Default Data Length command	2414
7.8.35 LE Write Suggested Default Data Length command	2416
7.8.36 LE Read Local P-256 Public Key command	2418
7.8.37 LE Generate DHKey command	2419
7.8.38 LE Add Device To Resolving List command	2421
7.8.39 LE Remove Device From Resolving List command..	2423
7.8.40 LE Clear Resolving List command.....	2425



7.8.41 LE Read Resolving List Size command..... 2426

7.8.42 LE Read Peer Resolvable Address command..... 2427

7.8.43 LE Read Local Resolvable Address command..... 2429

7.8.44 LE Set Address Resolution Enable command 2431

7.8.45 LE Set Resolvable Private Address Timeout command ...
2433

7.8.46 LE Read Maximum Data Length command 2434

7.8.47 LE Read PHY command..... 2436

7.8.48 LE Set Default PHY command..... 2438

7.8.49 LE Set PHY command 2440

7.8.50 [This section is no longer used] 2443

7.8.51 [This section is no longer used] 2443

7.8.52 LE Set Advertising Set Random Address command 2444

7.8.53 LE Set Extended Advertising Parameters command 2446

7.8.54 LE Set Extended Advertising Data command..... 2455

7.8.55 LE Set Extended Scan Response Data command ... 2459

7.8.56 LE Set Extended Advertising Enable command 2462

7.8.57 LE Read Maximum Advertising Data Length command ...
2467

7.8.58 LE Read Number of Supported Advertising Sets
command 2468

7.8.59 LE Remove Advertising Set command 2469

7.8.60 LE Clear Advertising Sets command 2470

7.8.61 LE Set Periodic Advertising Parameters command .. 2471

7.8.62 LE Set Periodic Advertising Data command 2476

7.8.63 LE Set Periodic Advertising Enable command 2479

7.8.64 LE Set Extended Scan Parameters command 2481

7.8.65 LE Set Extended Scan Enable command..... 2484

7.8.66 LE Extended Create Connection command..... 2487

7.8.67 LE Periodic Advertising Create Sync command 2494

7.8.68 LE Periodic Advertising Create Sync Cancel command...
2498

7.8.69 LE Periodic Advertising Terminate Sync command.. 2499

7.8.70 LE Add Device To Periodic Advertiser List command
2500

7.8.71 LE Remove Device From Periodic Advertiser List
command 2502

7.8.72 LE Clear Periodic Advertiser List command 2504

7.8.73 LE Read Periodic Advertiser List Size command 2505



7.8.74 LE Read Transmit Power command 2506

7.8.75 LE Read RF Path Compensation command 2507

7.8.76 LE Write RF Path Compensation command 2508

7.8.77 LE Set Privacy Mode command 2510

7.8.78 [This section is no longer used] 2512

7.8.79 [This section is no longer used] 2512

7.8.80 LE Set Connectionless CTE Transmit Parameters
command 2513

7.8.81 LE Set Connectionless CTE Transmit Enable command .
2516

7.8.82 LE Set Connectionless IQ Sampling Enable command
2518

7.8.83 LE Set Connection CTE Receive Parameters command .
2521

7.8.84 LE Set Connection CTE Transmit Parameters command
2524

7.8.85 LE Connection CTE Request Enable command 2527

7.8.86 LE Connection CTE Response Enable command 2530

7.8.87 LE Read Antenna Information command 2532

7.8.88 LE Set Periodic Advertising Receive Enable command ...
2534

7.8.89 LE Periodic Advertising Sync Transfer command 2536

7.8.90 LE Periodic Advertising Set Info Transfer command 2538

7.8.91 LE Set Periodic Advertising Sync Transfer Parameters
command 2540

7.8.92 LE Set Default Periodic Advertising Sync Transfer
Parameters command 2543

7.8.93 [This section is no longer used] 2546

7.8.94 LE Modify Sleep Clock Accuracy command 2547

7.8.95 [This section is no longer used] 2549

7.8.96 LE Read ISO TX Sync command 2550

7.8.97 LE Set CIG Parameters command 2552

7.8.98 LE Set CIG Parameters Test command 2560

7.8.99 LE Create CIS command 2568

7.8.100 LE Remove CIG command 2571

7.8.101 LE Accept CIS Request command 2573

7.8.102 LE Reject CIS Request command 2574

7.8.103 LE Create BIG command 2576

7.8.104 LE Create BIG Test command 2581

7.8.105 LE Terminate BIG command 2587



7.8.106 LE BIG Create Sync command..... 2589

7.8.107 LE BIG Terminate Sync command 2593

7.8.108 LE Request Peer SCA command 2595

7.8.109 LE Setup ISO Data Path command 2596

7.8.110 LE Remove ISO Data Path command 2600

7.8.111 LE ISO Transmit Test command..... 2602

7.8.112 LE ISO Receive Test command..... 2604

7.8.113 LE ISO Read Test Counters command 2606

7.8.114 LE ISO Test End command 2608

7.8.115 LE Set Host Feature command..... 2610

7.8.116 LE Read ISO Link Quality command 2612

7.8.117 LE Enhanced Read Transmit Power Level command
2615

7.8.118 LE Read Remote Transmit Power Level command.. 2617

7.8.119 LE Set Path Loss Reporting Parameters command . 2619

7.8.120 LE Set Path Loss Reporting Enable command..... 2622

7.8.121 LE Set Transmit Power Reporting Enable command 2624

7.8.122 LE Set Data Related Address Changes command... 2626

7.8.123 LE Set Default Subrate command 2628

7.8.124 LE Subrate Request command..... 2630

7.8.125 LE Set Periodic Advertising Subevent Data command.....
2633

7.8.126 LE Set Periodic Advertising Response Data command....
2636

7.8.127 LE Set Periodic Sync Subevent command 2639

Appendix A [This Appendix is no longer used] 2641

Appendix B Removed commands and events 2642



[This Volume Is No Longer Used]

Specification Volume 5



Low Energy Controller
Specification Volume 6

Part A

PHYSICAL LAYER SPECIFICATION

1	Scope	2648
2	Frequency bands and channel arrangement	2650
3	Transmitter characteristics	2651
3.1	Modulation characteristics	2652
3.1.1	Stable modulation index.....	2653
3.2	Spurious emissions	2653
3.2.1	Modulation spectrum.....	2653
3.2.2	In-band spurious emission	2653
3.2.3	Out-of-band spurious emission	2654
3.3	Radio frequency tolerance.....	2654
4	Receiver characteristics	2655
4.1	Actual sensitivity level.....	2655
4.2	Interference performance	2655
4.3	Out-of-band blocking	2657
4.4	Intermodulation characteristics	2658
4.5	Maximum usable level	2659
4.6	Reference signal definition	2659
4.7	Stable modulation index	2659
4.8	Received Signal Strength Indication.....	2659
5	Antenna switching.....	2660
5.1	General description	2660
5.2	Receiver characteristics	2661
5.2.1	Definitions	2661
5.2.2	Requirements.....	2662
5.2.3	Test switching pattern	2662
Appendix A	Test Conditions	2663
A.1	Normal operating conditions (NOC)	2663
A.1.1	Normal temperature and air humidity	2663
A.1.2	Nominal supply voltage	2663



Part B

LINK LAYER SPECIFICATION

- 1 General description 2673**
 - 1.1 Link Layer states 2673
 - 1.1.1 Permitted state and role combinations..... 2675
 - 1.1.2 Devices supporting only some states 2676
 - 1.2 Bit ordering 2676
 - 1.3 Device address 2677
 - 1.3.1 Public device address 2677
 - 1.3.2 Random device address 2677
 - 1.4 Physical channel..... 2680
 - 1.4.1 Physical channel indices..... 2681
- 2 Air interface packets 2683**
 - 2.1 Packet format for the LE Uncoded PHYs 2683
 - 2.1.1 Preamble..... 2683
 - 2.1.2 Access Address 2684
 - 2.1.3 PDU 2686
 - 2.1.4 CRC 2686
 - 2.1.5 Constant Tone Extension 2686
 - 2.2 Packet format for the LE Coded PHY 2687
 - 2.2.1 Preamble..... 2688
 - 2.2.2 Access Address 2688
 - 2.2.3 Coding Indicator..... 2688
 - 2.2.4 PDU 2688
 - 2.2.5 CRC 2688
 - 2.2.6 TERM1 and TERM2..... 2688
 - 2.3 Advertising physical channel PDU..... 2688
 - 2.3.1 Advertising PDUs..... 2691
 - 2.3.2 Scanning PDUs..... 2699
 - 2.3.3 Initiating PDUs 2701
 - 2.3.4 Common Extended Advertising Payload Format 2704
 - 2.4 Data Physical Channel PDU..... 2712
 - 2.4.1 LL Data PDU..... 2714
 - 2.4.2 LL Control PDU..... 2715
 - 2.5 Constant Tone Extension and IQ sampling..... 2737
 - 2.5.1 Constant Tone Extension structure and types 2737
 - 2.5.2 CTEInfo field 2739
 - 2.5.3 Transmitting Constant Tone Extensions..... 2739
 - 2.5.4 IQ sampling..... 2739



- 2.6 Isochronous Physical Channel PDU..... 2741
 - 2.6.1 Connected Isochronous PDU 2741
 - 2.6.2 Broadcast Isochronous PDU..... 2742
 - 2.6.3 BIG Control PDU..... 2743
- 3 Bit stream processing 2746**
 - 3.1 Error checking 2746
 - 3.1.1 CRC generation 2746
 - 3.2 Data whitening 2747
 - 3.3 Coding 2748
 - 3.3.1 Forward Error Correction encoder 2748
 - 3.3.2 Pattern mapper 2749
- 4 Air Interface protocol 2750**
 - 4.1 Frame Space 2750
 - 4.1.1 Inter Frame Space 2750
 - 4.1.2 Minimum AUX Frame Space..... 2750
 - 4.1.3 Minimum Subevent Space 2750
 - 4.2 Timing requirements 2751
 - 4.2.1 Active clock accuracy..... 2752
 - 4.2.2 Sleep clock accuracy 2752
 - 4.2.3 Range delay..... 2753
 - 4.2.4 Window widening 2753
 - 4.3 Link Layer device filtering 2756
 - 4.3.1 Filter Accept List..... 2757
 - 4.3.2 Advertising filter policy 2757
 - 4.3.3 Scanning filter policy 2757
 - 4.3.4 Initiator filter policy 2758
 - 4.3.5 Periodic sync establishment filter policy 2759
 - 4.4 Non-connected states..... 2759
 - 4.4.1 Standby state 2759
 - 4.4.2 Advertising state 2760
 - 4.4.3 Scanning state 2786
 - 4.4.4 Initiating state..... 2790
 - 4.4.5 Synchronization state..... 2791
 - 4.4.6 Isochronous Broadcasting state..... 2793
 - 4.5 Connection state..... 2805
 - 4.5.1 Connection events 2806
 - 4.5.2 Supervision timeout 2810
 - 4.5.3 Connection event transmit window 2811



4.5.4	Connection setup – Central Role	2812
4.5.5	Connection setup – Peripheral Role	2813
4.5.6	Closing connection events	2814
4.5.7	Sleep clock accuracy	2815
4.5.8	General-purpose channel group index selection	2815
4.5.9	Acknowledgment and flow control	2825
4.5.10	Data PDU length management	2827
4.5.11	Control PDU length management	2831
4.5.12	Connection termination and loss	2831
4.5.13	Connected Isochronous Stream (CIS)	2832
4.5.14	Connected Isochronous Group (CIG)	2837
4.5.15	Power level management	2841
4.5.16	Path loss monitoring	2842
4.5.17	ACL data Host transport	2844
4.6	Feature support	2844
4.6.1	LE Encryption	2847
4.6.2	Connection Parameters Request procedure	2847
4.6.3	Extended Reject Indication	2847
4.6.4	Peripheral-initiated Features Exchange	2847
4.6.5	LE Ping	2847
4.6.6	LE Data Packet Length Extension	2848
4.6.7	LL Privacy	2848
4.6.8	Extended Scanning Filter Policies	2848
4.6.9	Multiple PHYs	2848
4.6.10	Stable Modulation Index - Transmitter	2849
4.6.11	Stable Modulation Index - Receiver	2849
4.6.12	LE Extended Advertising	2849
4.6.13	LE Periodic Advertising	2850
4.6.14	Channel Selection Algorithm #2	2850
4.6.15	Minimum Number of Used Channels procedure	2850
4.6.16	Connection CTE Request	2850
4.6.17	Connection CTE Response	2851
4.6.18	Connectionless CTE Transmitter	2851
4.6.19	Connectionless CTE Receiver	2851
4.6.20	Antenna Switching During CTE Transmission (AoD)	2851
4.6.21	Antenna Switching During CTE Reception (AoA)	2852
4.6.22	Receiving Constant Tone Extensions	2852
4.6.23	Periodic Advertising Sync Transfer - Sender	2852



- 4.6.24 Periodic Advertising Sync Transfer - Recipient..... 2852
- 4.6.25 Sleep Clock Accuracy Updates 2852
- 4.6.26 Remote Public Key Validation 2853
- 4.6.27 Connected Isochronous Stream - Central and Connected Isochronous Stream - Peripheral 2853
- 4.6.28 Isochronous Broadcaster 2853
- 4.6.29 Synchronized Receiver 2854
- 4.6.30 [This section is no longer used] 2854
- 4.6.31 LE Power Control Request 2854
- 4.6.32 LE Path Loss Monitoring..... 2854
- 4.6.33 Host-set feature bits..... 2854
- 4.6.34 Periodic Advertising ADI Support 2855
- 4.6.35 Connection Subrating 2855
- 4.6.36 Channel Classification 2856
- 4.6.37 Advertising Coding Selection 2856
- 4.6.38 Periodic Advertising with Responses - Advertiser..... 2856
- 4.6.39 Periodic Advertising with Responses - Scanner 2856
- 4.7 Resolving List 2857
- 5 Link Layer control..... 2859**
- 5.1 Link Layer ACL control procedures..... 2859
 - 5.1.1 Connection Update procedure 2859
 - 5.1.2 Channel Map Update procedure 2862
 - 5.1.3 Encryption procedure 2863
 - 5.1.4 Feature Exchange procedure 2867
 - 5.1.5 Version Exchange procedure..... 2868
 - 5.1.6 ACL Termination procedure 2869
 - 5.1.7 Connection Parameters Request procedure..... 2869
 - 5.1.8 LE Ping procedure 2880
 - 5.1.9 Data Length Update procedure..... 2880
 - 5.1.10 PHY Update procedure 2881
 - 5.1.11 Minimum Number Of Used Channels procedure 2885
 - 5.1.12 Constant Tone Extension Request procedure 2885
 - 5.1.13 Periodic Advertising Sync Transfer procedure 2886
 - 5.1.14 Sleep Clock Accuracy Update procedure 2889
 - 5.1.15 Connected Isochronous Stream Creation procedure 2890
 - 5.1.16 Connected Isochronous Stream Termination procedure... 2891
 - 5.1.17 Power Control Request procedure..... 2892



- 5.1.18 Power Change Indication procedure..... 2894
- 5.1.19 Connection Subrate Update procedure 2895
- 5.1.20 Connection Subrate Request procedure..... 2896
- 5.1.21 Channel Classification Enable procedure 2897
- 5.1.22 Channel Classification Reporting procedure..... 2898
- 5.2 Procedure response timeout 2898
- 5.3 Procedure collisions 2899
- 5.4 LE Authenticated Payload Timeout..... 2899
- 5.5 Procedures with Instants 2900
 - 5.5.1 ACL control procedures 2901
 - 5.5.2 BIG control procedures 2901
- 5.6 BIG control procedures..... 2901
 - 5.6.1 BIG Channel Map Update procedure..... 2901
 - 5.6.2 BIG Termination procedure 2902
- 6 Privacy 2903**
 - 6.1 Resolvable Private address generation interval 2903
 - 6.2 Privacy in the Advertising state..... 2903
 - 6.2.1 Connectable and scannable undirected event type .. 2903
 - 6.2.2 Connectable directed event type 2904
 - 6.2.3 Non-connectable and non-scannable undirected and
scannable undirected event types 2905
 - 6.2.4 Connectable undirected event type 2906
 - 6.2.5 Non-connectable and non-scannable directed and
scannable directed event types 2906
 - 6.3 Privacy in the Scanning state 2907
 - 6.4 Privacy in the Initiating state..... 2908
 - 6.5 Privacy of the device 2909
 - 6.6 Privacy in the Synchronization State 2909
 - 6.6.1 Periodic advertising trains..... 2909
- 7 ISO Test Mode 2910**
 - 7.1 ISO Transmit test mode..... 2910
 - 7.2 ISO Receive test mode..... 2911
- 8 References 2913**

Part C
SAMPLE DATA

- 1 Encryption sample data 2916**
 - 1.1 Encrypt Command..... 2918
 - 1.2 Derivation of the MIC and encrypted data 2918
- 2 LE Coded PHY sample data 2922**



- 2.1 Reference information packet..... 2922
- 2.2 Forward Error Correction encoder..... 2922
- 2.3 Transmitted symbols (S=2)..... 2923
- 2.4 Transmitted symbols (S=8)..... 2924
- 3 LE Channel Selection algorithm #2 sample data 2925**
 - 3.1 Sample data 1 (37 used channels)..... 2925
 - 3.2 Sample data 2 (9 used channels)..... 2926
- 4 Complete packets 2927**
 - 4.1 Whitening sequences 2927
 - 4.2 Advertising Physical channel PDUs..... 2928
 - 4.2.1 Legacy advertising PDUs..... 2928
 - 4.2.2 Extended advertising PDUs 2928
 - 4.3 Data channel PDUs 2929
 - 4.3.1 LL data PDUs..... 2929
 - 4.3.2 LL control PDUs 2930
- 5 Access Address generation for BISEs 2931**
- 6 Group Session Key derivation for BIG 2932**

Part D

MESSAGE SEQUENCE CHARTS

- 1 Introduction..... 2937**
 - 1.1 Notation 2937
 - 1.2 Control flow..... 2937
 - 1.3 Example MSC..... 2938
 - 1.4 Forward compatibility..... 2938
- 2 Standby state 2940**
 - 2.1 Initial setup 2940
 - 2.2 Random Device address 2942
 - 2.3 Filter Accept List 2942
 - 2.4 Adding IRK to resolving list..... 2943
 - 2.5 Default data length 2943
 - 2.6 Periodic Advertiser List 2944
- 3 Advertising state..... 2945**
 - 3.1 Undirected advertising..... 2945
 - 3.2 Directed advertising 2946
 - 3.3 Advertising using ADV_EXT_IND 2948
 - 3.4 Scan request notifications 2949
 - 3.5 Advertising duration ended..... 2950
 - 3.6 Periodic advertising 2951
 - 3.7 Connectionless Constant Tone Extension transmission 2952



- 3.8 Isochronous Broadcasting State 2953
 - 3.8.1 Create a Broadcast Isochronous Group 2953
 - 3.8.2 Terminate a Broadcast Isochronous Group 2954
- 3.9 Periodic advertising with responses (PAwR) 2954
- 3.10 Transmitting PAwR subevents 2955
- 3.11 Using a response slot in PAwR..... 2956
- 3.12 Connecting from PAwR..... 2957
- 3.13 Failed Connection Attempts From PAWR..... 2957
- 4 Scanning state 2959**
 - 4.1 Passive scanning 2959
 - 4.2 Active scanning 2960
 - 4.3 Passive scanning for directed advertisements with Privacy .. 2961
 - 4.4 Active scanning with Privacy 2962
 - 4.5 Active scanning with Privacy and Controller based resolvable private address generation 2963
 - 4.6 Active scanning on the secondary advertising Physical channel... 2964
 - 4.7 Scan timeout..... 2965
 - 4.8 Scanning for periodic advertisements 2966
 - 4.9 Cancel scanning for periodic advertisements 2967
 - 4.10 Periodic advertising synchronization timeout..... 2968
 - 4.11 Terminate reception of periodic advertising 2969
 - 4.12 Connectionless Constant Tone Extension reception 2970
 - 4.13 Synchronization with separate enable of reports..... 2971
- 5 Initiating state 2972**
 - 5.1 Initiating a connection 2972
 - 5.2 Canceling an initiation 2973
 - 5.3 Initiating a connection using undirected advertising with Privacy .. 2974
 - 5.4 Initiating a connection using directed advertising with Privacy 2975
 - 5.5 Initiating a connection that fails to establish 2976
 - 5.6 Initiating a connection on the secondary advertising physical channel 2977
 - 5.7 Initiating a Channel Selection algorithm #2 connection..... 2978
- 6 Connection state 2979**
 - 6.1 Sending data 2979
 - 6.2 Connection update 2980
 - 6.3 Channel map update 2980
 - 6.4 Features exchange 2981
 - 6.5 Version exchange 2982
 - 6.6 Start encryption 2983



- 6.7 Start encryption without long-term key 2984
- 6.8 Start encryption with event masked 2985
- 6.9 Start encryption without Peripheral supporting encryption 2985
- 6.10 Restart encryption 2986
- 6.11 Disconnect 2987
- 6.12 Connection parameters request 2988
- 6.13 LE Ping 2992
- 6.14 Data length update 2994
- 6.15 PHY update 2994
- 6.16 Minimum number of used channels request 3000
- 6.17 LL procedure collision 3001
- 6.18 Constant Tone Extension Request 3001
- 6.19 Connected Isochronous Group Setup 3004
- 6.20 Host Rejects Connected Isochronous Stream 3006
- 6.21 Link Layer Rejects Connected Isochronous Stream 3008
- 6.22 Link Layer Rejects Connected Isochronous Stream 3010
- 6.23 Host A Terminates Connected Isochronous Stream 3010
- 6.24 ACL disconnected 3012
- 6.25 Host A Removes Connected Isochronous Group 3013
- 6.26 Request Sleep Clock Accuracy 3015
- 6.27 Power Control 3015
- 6.28 Data path setup for a music stream over a CIS 3022
- 6.29 Data path setup for bi-directional voice over a CIS 3024
- 6.30 [This section is no longer used] 3026
- 6.31 Modifying the subrate of a connection 3026
- 6.32 Channel Classification Enable 3027
- 6.33 Channel Classification Reporting 3028
- 7 Periodic advertising sync transfer 3029**
 - 7.1 Transfer by scanner, reports initially disabled 3029
 - 7.2 Transfer by scanner, reports initially enabled 3030
 - 7.3 Transfer by the advertiser 3031
- 8 Synchronization state 3032**
 - 8.1 Synchronizing with a Broadcast Isochronous Group 3032
 - 8.2 Terminate Synchronization with a BIG 3033
 - 8.3 New Channel Map for Broadcast Isochronous Group 3033
 - 8.4 Lost Synchronization with a Broadcast Isochronous Group .. 3034
 - 8.5 Data path setup for a BIS 3035

Part E

LOW ENERGY LINK LAYER SECURITY

- 1 Encryption and authentication overview 3038**
 - 1.1 Cryptographic Toolbox 3039



- 1.1.1 Group Session Key Derivation Function h8 3039
- 1.1.2 Derivation of Group Session Key 3040
- 2 CCM..... 3041**
 - 2.1 CCM nonce 3041
 - 2.2 Counter mode blocks 3043
 - 2.3 Encryption blocks 3044
 - 2.4 Session Keys 3044

Part F

DIRECT TEST MODE

- 1 Introduction 3047**
- 2 Low Energy test scenarios 3048**
 - 2.1 Test sequences 3048
 - 2.2 Message sequence charts 3049
- 3 UART Test Interface 3050**
 - 3.1 UART Interface characteristics 3050
 - 3.2 UART functional description 3050
 - 3.3 Commands and events 3051
 - 3.3.1 Command and event behavior 3051
 - 3.3.2 Commands 3051
 - 3.4 Events 3054
 - 3.4.1 LE_Test_Status event 3055
 - 3.4.2 LE_Packet_Report event 3057
 - 3.5 Timing – command and event 3058
- 4 LE Test packet definition 3059**
 - 4.1 LE Test packets format 3059
 - 4.1.1 Whitening 3059
 - 4.1.2 Preamble and synchronization word 3059
 - 4.1.3 CRC 3060
 - 4.1.4 LE Test packet PDU 3060
 - 4.1.5 LE Test packet payload description 3061
 - 4.1.6 LE Test packet interval 3062
 - 4.1.7 Constant Tone Extension 3063

Part G

ISOCHRONOUS ADAPTATION LAYER

- 1 Introduction 3066**
 - 1.1 Terminology 3066
- 2 ISOAL features 3067**



- 2.1 Unframed PDU 3068
- 2.2 Framed PDU..... 3069
- 3 Time_Stamp and Time_Offset 3073**
 - 3.1 Time_Offset in framed PDUs 3073
 - 3.2 SDU synchronization reference 3074
 - 3.2.1 SDU synchronization reference using framed PDUs 3074
 - 3.2.2 SDU synchronization reference using unframed PDUs 3076
 - 3.3 Time Stamp for SDU..... 3079
- 4 SDU Recombination and Reassembly 3081**



Wireless Coexistence Signaling and Interfaces

Specification Volume 7

Part A

MWS COEXISTENCE LOGICAL SIGNALING SPECIFICATION

- 1 Introduction..... 3085**
- 2 Logical interface 3086**
 - 2.1 Coexistence signals..... 3086
 - 2.1.1 FRAME_SYNC 3086
 - 2.1.2 MWS_RX 3087
 - 2.1.3 BLUETOOTH_RX_PRI 3087
 - 2.1.4 BLUETOOTH_TX_ON 3088
 - 2.1.5 MWS_PATTERN 3088
 - 2.1.6 MWS_TX..... 3088
 - 2.1.7 802_TX_ON 3088
 - 2.1.8 802_RX_PRI 3089
 - 2.1.9 MWS_INACTIVITY_DURATION 3089
 - 2.1.10 MWS_SCAN_FREQUENCY 3089
 - 2.2 Tolerances for offsets and jitter..... 3089

Part B

WIRELESS COEXISTENCE INTERFACE 1 (WCI-1) TRANSPORT SPECIFICATION

- 1 Introduction..... 3095**
- 2 Physical layer 3096**
 - 2.1 Physical signal specifications 3097
- 3 Transport layer 3100**
 - 3.1 Message types 3100
 - 3.1.1 Real-time Signal message (Type 0)..... 3101
 - 3.1.2 Transport Control message (Type 1) 3102
 - 3.1.3 Transparent Data message (Type 2) 3102
 - 3.1.4 MWS Inactivity Duration message (Type 3)..... 3103
 - 3.1.5 MWS Scan Frequency message (Type 4) 3103

Part C

WIRELESS COEXISTENCE INTERFACE 2 (WCI-2) TRANSPORT SPECIFICATION

- 1 Introduction..... 3106**



2 Physical layer 3107

3 Transport layer 3108

3.1 Message types 3108

3.1.1 Real-time Signal message (Type 0)..... 3109

3.1.2 Transport Control message (Type 1) 3110

3.1.3 Transparent Data message (Type 2) 3110

3.1.4 MWS Inactivity Duration message (Type 3).....3111

3.1.5 MWS Scan Frequency message (Type 4)3111

Consolidated Table of Contents &
Compliance Requirements
Part B

**BLUETOOTH
COMPLIANCE REQUIREMENTS**

*This Part specifies the requirements
for Bluetooth compliance.*



CONTENTS

1	Introduction	83
2	Scope	84
3	Definitions	85
3.1	Types of Bluetooth Products.....	85
3.1.1	Bluetooth End Product.....	86
3.1.2	Bluetooth Subsystem Product.....	86
3.1.2.1	Bluetooth Host Subsystem Product.....	87
3.1.2.2	Bluetooth Controller Subsystem Product	88
3.1.2.3	Bluetooth Profile Subsystem Product.....	88
3.1.3	Bluetooth Component Product.....	89
3.1.4	Bluetooth Development Tool	89
3.1.5	Bluetooth Test Equipment.....	89
4	Core Configurations	90
4.1	Basic Rate Core Configuration	90
4.2	Enhanced Data Rate Core Configurations	91
4.3	[This section is no longer used]	92
4.4	Low Energy Core Configuration	92
4.5	Basic Rate and Low Energy Combined Core Configuration.....	93
4.6	Host Controller Interface Core Configuration.....	93



1 INTRODUCTION

The Bluetooth Qualification Program Reference Document (PRD) is the primary reference document for the Bluetooth Qualification Program and defines its requirements, functions, and policies. The PRD is available on the Bluetooth Web site.

Passing the Bluetooth Qualification Process demonstrates a certain measure of compliance and interoperability, but because products are not tested for every aspect of this Bluetooth Specification, qualification does not guarantee compliance. Passing the Bluetooth Qualification Process only satisfies one condition of the license grant. The Member has the ultimate responsibility to ensure that the qualified product complies with this Bluetooth Specification and interoperates with other products.



2 SCOPE

This Part of the specification defines some fundamental concepts used in the Bluetooth Qualification Program.



3 DEFINITIONS

Bluetooth Qualification Process – The process defined in the Bluetooth Qualification Program Reference Document (PRD) to qualify a design used in implementations of Bluetooth wireless technology.

Bluetooth Qualification Program – The Bluetooth Qualification Process together with other related requirements and processes.

3.1 TYPES OF BLUETOOTH PRODUCTS

Bluetooth Product — Any product containing an implementation of Bluetooth wireless technology. Bluetooth Products as defined herein may require enabling technology external to Bluetooth Scope, as defined by the Patent and Copyright License Agreement, to become functional (e.g. power supply, technology capable of running executable code, etc.). Enabling technology is not part of any of the Bluetooth Product type definitions and is not included in the Bluetooth License grant.

All Bluetooth Products shall be one of the following:

- Bluetooth End Product
- Bluetooth Host Subsystem Product
- Bluetooth Controller Subsystem Product
- Bluetooth Profile Subsystem Product
- Bluetooth Component Product
- Bluetooth Development Tool
- Bluetooth Test Equipment.

[Table 3.1](#) defines abbreviations for the different Core Configurations defined in [Section 4](#).

Abbreviation	Explanation	Section Reference
BR CC	Bluetooth Basic Rate Core Configuration	Section 4.1
EDR CC	Bluetooth Enhanced Data Rate Core Configuration	Section 4.2
LE CC	Bluetooth Low Energy Core Configuration	Section 4.4
BR and LE Combined CC	Bluetooth Basic Rate and Low Energy Combined Core Configuration	Section 4.5
HCI CC	Host Controller Interface Core Configuration	Section 4.6

Table 3.1: Core Configuration abbreviations



Table 3.2, Table 3.3, and Table 3.4 define Bluetooth product types in terms of Core Configurations, using the abbreviations in Table 3.1. For the respective Core Configuration, the letter “M” indicates that it is mandatory to claim support, “O” indicates that it is optional to claim support, “P” indicates that it is optionally permitted to claim only partial support of the Core Configuration, “I” indicates that the Core Configuration is inherently included in the combined Core Configuration, “E” indicates that support for the Core Configuration shall not be claimed.

3.1.1 Bluetooth End Product

A *Bluetooth End Product* is a Bluetooth product that claims to implement one or more Core Configurations, in compliance with the required parts of the specification, and in accordance with the mandatory requirements as defined herein. Complementary products for *Bluetooth End Products* are limited to only *Bluetooth Profile Subsystem Products*.

The Bluetooth End Product types are defined in Table 3.2.

	BR CC	EDR CC	BR and LE Combined CC	LE CC	HCI CC
BR End Product	M	P	E	E	O
EDR End Product	M	M	E	E	O
LE End Product	E	E	E	M	O
BR and LE End Product	I	P	M	I	O
EDR and LE End Product	I	M	M	I	O

Table 3.2: Required configuration per Bluetooth End Product type

3.1.2 Bluetooth Subsystem Product

A Bluetooth Subsystem Product is a Bluetooth product that claims to implement only a portion of the specification, in compliance with such portion of the specification, and in accordance with the mandatory requirements as defined herein. Bluetooth Subsystem Products can be qualified solely for distribution; the use of Bluetooth wireless technology in Bluetooth Subsystem Products requires such Bluetooth Subsystem Products to be combined with one or more complementary products such that the resulting combination satisfies the requirements of a Bluetooth End Product. Complementary products used in combinations are limited to those complementary products specified in each of the product definitions.



There are three types of Bluetooth Subsystem Products defined:

1. Bluetooth Host Subsystem Product
2. Bluetooth Controller Subsystem Product
3. Bluetooth Profile Subsystem Product.

A Bluetooth Subsystem Product shall be one of these types.

3.1.2.1 Bluetooth Host Subsystem Product

The required configuration for each *Bluetooth Host Subsystem Product* type is listed in [Table 3.3](#).

	BR CC Host Parts	BR and LE Combined CC Host Parts	LE CC Host Parts	HCI CC
BR/EDR Host Subsystem Product	M	E	E	M
LE Host Subsystem Product	E	E	M	M
BR/EDR and LE Host Subsystem Product	I	M	I	M

Table 3.3: Required configuration per Bluetooth Host Subsystem Product type

A *Bluetooth Host Subsystem Product* may contain, in addition to the required Core Configuration Host parts (as defined in [Table 3.3](#)), at a minimum, all the mandatory requirements defined in one or more of the protocols above HCI, profiles, services, models, and codecs. Protocols below HCI required by the Core Configuration Controller parts (as defined in [Table 3.4](#)) shall be excluded from the Host Subsystem Product. Complementary products for *Bluetooth Host Subsystem Products* are limited to:

- a) *Bluetooth Controller Subsystem Products* that implement and use the HCI ([\[Vol 4\] Part E](#)) for communication between the subsystems; and
- b) *Bluetooth Profile Subsystem Products* when the *Bluetooth Host Subsystem* is combined with a *Bluetooth Controller Subsystem Product*.



3.1.2.2 Bluetooth Controller Subsystem Product

The required configuration for each *Bluetooth Controller Subsystem Product* type is listed in [Table 3.4](#).

	BR CC Controller Parts	EDR CC Controller Parts	BR and LE Combined CC Controller Parts	LE CC Controller Parts	HCI CC
BR Controller Subsystem Product	M	P	E	E	M
EDR Controller Subsystem Product	M	M	E	E	M
LE Controller Subsystem Product	E	E	E	M	M
BR and LE Controller Subsystem Product	I	P	M	I	M
EDR and LE Controller Subsystem Product	I	M	M	I	M

Table 3.4: Required configuration per Bluetooth Controller Subsystem Product type

A *Bluetooth Controller Subsystem Product* shall be limited to the Controller parts of the Core Configurations and may also contain, at a minimum, all the mandatory requirements defined in one or more codec specifications. Protocols, profiles, services, and models above HCI (whether or not required by the Core Configuration Host parts as defined in [Table 3.3](#)) shall be excluded from the Controller Subsystem Product. Complementary products for *Bluetooth Controller Subsystem Products* are limited to *Bluetooth Host Subsystem Products* that implement and use the HCI ([\[Vol 4\] Part E](#)) for communication between the subsystems.

3.1.2.3 Bluetooth Profile Subsystem Product

A *Bluetooth Profile Subsystem Product* is a Bluetooth product that claims to implement, at a minimum, all the mandatory requirements defined in one or



more of the profile, service, or model specifications. Complementary products for *Bluetooth Profile Subsystem Products* are limited to:

- a) *Bluetooth Host Subsystem Products* when combined with a *Bluetooth Controller Subsystem Product*; and
- b) *Bluetooth End Products*.

3.1.3 Bluetooth Component Product

A Bluetooth Component Product is a Bluetooth product that claims to implement, at a minimum, all the mandatory requirements, if any, of one or more of any of the protocol, profile, service, model, or codec parts of the specification in compliance with such portion of the specification. Bluetooth Component Products can be qualified solely for distribution and the use of the Bluetooth wireless technology in Bluetooth Component Products require such Bluetooth Component Products to be incorporated in Bluetooth End Products or Bluetooth Subsystem Products. A product that meets the requirements of a Bluetooth End Product or Bluetooth Subsystem product may be qualified as a Bluetooth Component Product if a manufacturer determines that further integration is necessary prior to qualifying the product as a Bluetooth End Product or Bluetooth Subsystem Product.

3.1.4 Bluetooth Development Tool

A Bluetooth Development Tool is a Bluetooth product intended to facilitate the development of new Bluetooth designs. Bluetooth Development Tools can be qualified solely for distribution and the use of the Bluetooth wireless technology in development of new Bluetooth Products.

3.1.5 Bluetooth Test Equipment

A Bluetooth Test Equipment is a Bluetooth product intended to facilitate the testing of new Bluetooth Products. Bluetooth Test Equipment can be qualified solely for distribution and the use of the Bluetooth wireless technology in testing of new Bluetooth Products. Where necessary, Bluetooth Test Equipment may deviate from the specification in order to fulfill the test purposes in the Bluetooth Test specifications.



4 CORE CONFIGURATIONS

This section defines the set of features that are required for a product to be qualified to a specification name. The Core Specification version number is simply the version number of the specification itself.

Specification names differ from Core Specification version numbers in that products are marked based on meeting requirements for a Core Configuration together with the mixing requirements (see [\[Vol 1\] Part D, Section 1](#)).

Each Core Configuration is defined by a set of parts and individual features of the Core Specification that shall be supported to allow the configuration name to be used. The configuration requirements imposed on a device may depend on the profiles that it supports.

4.1 BASIC RATE CORE CONFIGURATION

This section specifies compliance requirements for the “Basic Rate” Core Configuration.

To claim support to the “Basic Rate” Core Configuration, an implementation shall support a set of Required Features as specified in [Table 4.1](#) and [Table 4.2](#).

Host Part:

Layer	Required Features
L2CAP ([Vol 3] Part A)	L2CAP Signaling channel (CID 0x0001) and all mandatory features associated with it
SDP ([Vol 3] Part B)	All mandatory features
ATT ([Vol 3] Part F)	ATT may be supported. If ATT is supported, all mandatory features
GATT ([Vol 3] Part G)	GATT is mandatory when ATT is supported, otherwise GATT is excluded. When supported, all mandatory features
GAP ([Vol 3] Part C)	All mandatory features in sections 2 to 8, section 12, section 15, and appendix A

Table 4.1: Basic Rate Core Configuration Host requirements



Controller Part:

Layer	Required Features
RF ([Vol 2] Part A)	All mandatory features
BB ([Vol 2] Part B)	All mandatory features
LMP ([Vol 2] Part C)	All mandatory features

Table 4.2: Basic Rate Core Configuration Controller requirements

4.2 ENHANCED DATA RATE CORE CONFIGURATIONS

This section specifies compliance requirements for the “Enhanced Data Rate” Core Configuration.

Table 4.3 defines three categories of Transport Requirements that shall be satisfied subject to the following rules:

- A Bluetooth product shall support category 1 whenever it supports asynchronous transports for the profiles it incorporates.
- A Bluetooth product shall support category 2 whenever it supports asynchronous transports with multislots ACL packets for the profiles it incorporates.
- A Bluetooth product shall support category 3 whenever it supports eSCO synchronous transports for the profiles it incorporates.

A multi-profile product shall support all applicable categories in order to claim support for the Enhanced Data Rate Core Configuration.

Category No.	Transport Requirements	Controller Part	Host Part
		LMP Features Supported	L2CAP Feature Bits Required
1	EDR for asynchronous transports (single slot)	Enhanced Data Rate ACL 2 Mb/s mode (25) AND Enhanced Data Rate ACL 3 Mb/s mode (26)	None
2	EDR for asynchronous transports (multi-slot)	3-slot Enhanced Data Rate ACL packets (39) AND 5-slot Enhanced Data Rate ACL packets (40)	None
3	EDR for synchronous transports	Enhanced Data Rate eSCO 2 Mb/s mode (45)	None

Table 4.3: EDR Core Configuration requirements



Note: No additional requirements are stated on the support of 3-EV3, 2-EV5 and 3-EV5 packets.

4.3 [THIS SECTION IS NO LONGER USED]

4.4 LOW ENERGY CORE CONFIGURATION

This section specifies compliance requirements for the “Low Energy” Core Configuration.

To claim support to the “Low Energy” Core Configuration, an implementation shall support a set of Required Features as specified in [Table 4.4](#) and [Table 4.5](#).

Host Part:

Layer	Required Features
L2CAP ([Vol 3] Part A)	If the GAP Peripheral or Central role is supported, L2CAP LE Signaling channel (CID 0x0005) and all mandatory features associated with it. Otherwise L2CAP is excluded
GAP ([Vol 3] Part C)	All mandatory features for at least one of the LE GAP roles (Broadcaster, Observer, Peripheral or Central) in sections 2 to 3, sections 9 to 12, section 15, and appendix A
ATT ([Vol 3] Part F)	If the GAP Peripheral or Central role is supported, all mandatory features. Otherwise ATT is excluded
GATT ([Vol 3] Part G)	GATT is mandatory when ATT is supported, otherwise GATT is excluded. When supported, all mandatory features
SM ([Vol 3] Part H)	If the GAP Peripheral or Central role is supported, all mandatory features. Otherwise SM is excluded

Table 4.4: Low Energy Core Configuration Host requirements

Controller Part:

Layer	Required Features
RFPHY ([Vol 6] Part A)	All mandatory features
LL ([Vol 6] Part B)	All mandatory features
ISOAL ([Vol 6] Part G)	ISOAL is mandatory when the LL supports Isochronous Channels, otherwise ISOAL is excluded. When supported, all mandatory features.

Table 4.5: Low Energy Core Configuration Controller requirements



4.5 BASIC RATE AND LOW ENERGY COMBINED CORE CONFIGURATION

This section specifies compliance requirements for the “Basic Rate and Low Energy Combined” Core Configuration.

To claim support for the “Basic Rate and Low Energy Combined” Core Configuration, an implementation shall support the following set of Required Features.

Host Part:

- All mandatory requirements in the Host part of the BR/EDR CC
- All mandatory requirements in the Host part of the LE CC
- All requirements in [\[Vol 3\] Part C, Section 13](#) and [\[Vol 3\] Part C, Section 14](#).

Controller Part:

- All mandatory requirements in the Controller part of the BR/EDR CC
- All mandatory requirements in the Controller part of the LE CC
- LMP feature bits 38 and 65 shall be set.

Requirements in the BR/EDR CC are only mandatory on the BR/EDR transport. Requirements in the LE CC are only mandatory on the LE transport.

4.6 HOST CONTROLLER INTERFACE CORE CONFIGURATION

This section specifies compliance requirements for the “Host Controller Interface” Core Configuration.

To claim support for the “Host Controller Interface” Core Configuration, an implementation shall support a set of Required Features as specified in [Table 4.6](#).

Layer	Required Features
HCI ([Vol 4] Part E)	All the supported features in the implementation shall be compliant to the Host Controller Interface.

Table 4.6: HCI Core Configuration requirements

**Consolidated Table of Contents &
Compliance Requirements
Part C**

**VERSION HISTORY AND
ACKNOWLEDGMENTS**



CONTENTS

1	Version History	97
1.1	[Vol 0] Consolidated TOC & Compliance Requirements	97
1.2	[Vol 1] Architecture, Mixing, and Conventions	98
1.3	[Vols 2, 3, 5, 6 & 7] Controllers and Host.....	99
1.4	[Vol 4] Host Controller Interface.....	102
2	Acknowledgments (up to v5.1)	104
2.1	[Vol 0] Consolidated TOC & Compliance Requirements	104
2.1.1	Part B: Bluetooth Compliance Requirements	104
2.1.2	Part C: Version History and Acknowledgments.....	104
2.2	[Vol 1] Architecture, Mixing, and Conventions	105
2.2.1	Part A: Architectural Overview	105
2.2.2	Part B: Acronyms & Abbreviations	109
2.2.3	Part C: Core Specification Change History.....	111
2.2.4	Part D: Mixing of Specification Versions	111
2.2.5	Part E: General Terminology and Interpretation.....	112
2.2.6	Part F: Controller Error Codes	113
2.3	[Vol 2] BR/EDR Controller	116
2.3.1	Part A: Radio Specification	116
2.3.2	Part B: Baseband Specification	118
2.3.3	Part C: Link Manager Protocol.....	122
2.3.4	Part D: [This part is no longer used]	126
2.3.5	Part E: [This part is no longer used].....	126
2.3.6	Part F: Message Sequence Charts.....	127
2.3.7	Part G: Sample Data.....	129
2.3.8	Part H: Security Specification	131
2.4	[Vol 3] Host	133
2.4.1	Part A: Logical Link Control and Adaptation Protocol Specification.....	133
2.4.2	Part B: Service Discovery Protocol (SDP)	137
2.4.3	Part C: Generic Access Profile.....	138
2.4.4	Part D: Test Support.....	143
2.4.5	Part E: AMP Manager Protocol	144
2.4.6	Part F: Attribute Protocol Specification	144
2.4.7	Part G: Generic Attribute Profile Specification	146
2.4.8	Part H: Security Manager Specification	147
2.5	[Vol 4] Host Controller Interface.....	149
2.5.1	Parts A to D: Transport Layers.....	149



- 2.5.2 Part E: Bluetooth Host Controller Interface Functional Specification..... 150
- 2.6 [Vol 5] AMP Controller..... 158
 - 2.6.1 Part A: 802.11 PAL..... 158
- 2.7 [Vol 6] Low Energy Controller 159
 - 2.7.1 Part A: Physical Layer Specification 159
 - 2.7.2 Part B: Link Layer Specification..... 161
 - 2.7.3 Part C: Sample Data..... 165
 - 2.7.4 Part D: Message Sequence Charts 166
 - 2.7.5 Part E: Low Energy Security Specification..... 169
 - 2.7.6 Part F: Direct Test Mode 170
- 2.8 [Vol 7] Wireless Coexistence Signaling and Interfaces..... 173
 - 2.8.1 Part A: MWS Coexistence Logical Signaling Specification 173
 - 2.8.2 Part B: Wireless Coexistence Interface 1 (WCI-1) Transport Specification 173
 - 2.8.3 Part C: Wireless Coexistence Interface 2 (WCI-2) Transport Specification 173
- 3 Acknowledgments for v5.2 175**
 - 3.1 Acknowledgments for LE Isochronous Channels 175
 - 3.2 Acknowledgments for LE Power Control 176
 - 3.3 Acknowledgments for Enhanced Attribute Protocol..... 177
- 4 Acknowledgments for v5.3 178**
 - 4.1 Acknowledgments for AdvDataInfo in Periodic Advertising 178
 - 4.2 Acknowledgments for Host To Controller Encryption Key Control Enhancements..... 178
 - 4.3 Acknowledgments for LE Enhanced Connection Update 178
 - 4.4 Acknowledgments for LE Channel Classification 179
 - 4.5 Acknowledgments for Removing Alternate MAC/PHY..... 179
- 5 Acknowledgments for v5.4 180**
 - 5.1 Coding Scheme Selection on Advertising..... 180
 - 5.2 Encrypted Advertising Data 180
 - 5.3 Periodic Advertising with Responses..... 180
 - 5.4 LE GATT Security Levels Characteristic..... 180



1 VERSION HISTORY

Beginning with v1.2 of the Core System Package the core Bluetooth specification documents, protocols and profiles were transferred to a new partitioning comprising volumes and individual profile specifications are each contained in an individual document instead of the two volumes (Core and Profiles) used in v1.1.

For more detailed information about changes between versions published before v1.2, see Appendix I “Revision History” in v1.1.

1.1 [VOL 0] CONSOLIDATED TOC & COMPLIANCE REQUIREMENTS

Rev	Date	Comments
5.4	2023-01-31	Incorporated errata; see [Vol 1] Part C, Section 13.3 . Updated the requirements for the Basic Rate Core Configuration, Low Energy Core Configuration, and Basic Rate and Low Energy Combined Core Configuration. Adopted by the Bluetooth SIG Board of Directors.
5.3	2021-07-13	Incorporated errata; see [Vol 1] Part C, Section 12.3 . Updated the definition of the Bluetooth Host and Controller Subsystem Products. Updated the requirements for the Low Energy Core Configuration and the Basic Rate and Low Energy Combined Core Configuration. Removed the High Speed Core Configuration. Adopted by the Bluetooth SIG Board of Directors.
5.2	2019-12-31	Incorporated errata; see [Vol 1] Part C, Section 11.3 . Removed references to deprecated and withdrawn versions of the Core Specification. Renamed Volumes. Updated the definition of the Bluetooth Component Product type. Adopted by the Bluetooth SIG Board of Directors.
5.1	2019-01-21	Incorporated errata; see [Vol 1] Part C, Section 10.4 . Incorporated CSA6: see [Vol 0] Part B, Section 3.1.2.3 and [Vol 0] Part B, Section 3.1.3 .
5.0	2016-12-06	Incorporated errata
4.2	2014-12-02	Incorporated errata
4.1	2013-12-03	Clarifications for allowable complementary subsystems.
4.0	2010-06-30	Updated to support Low Energy, ATT, and GATT support for BR/EDR, and to enable High Speed Controller Subsystems.
3.0 + HS	2009-04-21	Updated to include support for the Alternative MAC/PHY feature and High Speed Core Configuration.
v2.1 + EDR	2007-07-26	No content changes. Updates to the Table of Contents.



Rev	Date	Comments
v2.0 + EDR	2004-10-15	This version of the specification is intended to be a separate Bluetooth Specification that has all the functional characteristics of the v1.2 Bluetooth Specification that adds the Enhanced Data Rate (EDR) feature which required changes to Volume 0, Part A, Consolidated Table of Contents.
v1.2	2003-11-05	This Part was moved from the Core volume. No content changes have been made to this document since v1.1.

1.2 [VOL 1] ARCHITECTURE, MIXING, AND CONVENTIONS

Rev	Date	Comments
5.4	2023-01-31	Updated to include architectural aspects of new features added. Incorporated errata; see [Vol 1] Part C, Section 13.3 . Adopted by the Bluetooth SIG Board of Directors.
5.3	2021-07-13	Updated to include architectural aspects of new features added. Incorporated errata; see [Vol 1] Part C, Section 12.3 . Updated terminology to remove inappropriate language. Alternate MAC/PHY feature was deprecated and removed. Adopted by the Bluetooth SIG Board of Directors.
5.2	2019-12-31	Updated to include architectural aspects of new features added. Incorporated errata; see [Vol 1] Part C, Section 11.3 . Vol 2, Part D moved to Vol 1, Part F. Removed references to deprecated and withdrawn versions of the Core Specification. Added definition of Resolving List. Adopted by the Bluetooth SIG Board of Directors.
5.1	2019-01-21	Updated to include architectural aspects of new features added. Incorporated errata; see [Vol 1] Part C, Section 10.4 . Incorporated CSA6; see [Vol 1] Part A, Section 6.6 and [Vol 1] Part D, Table 1.3 .
5.0	2016-12-06	Updated to include architectural aspects of new features added. Incorporated errata.
4.2	2014-12-02	Updated to include architectural aspects of new features added. Incorporated errata.
4.1	2013-12-03	Updated to include architectural aspects of new features added to CSA2, CSA3, CSA4 and v4.1.
4.0	2010-06-30	Updated to support Low Energy. and ATT and GATT over BR/EDR.
3.0 + HS	2009-04-21	Updated to integrate the Alternate MAC/PHY and Unicast Connectionless Data features.
v2.1 + EDR	2007-07-26	Added definitions for new features: Encryption Pause and Resume, Erroneous Data reporting, Extended Inquiry Response, Link Supervision Timeout Event, Packet Boundary Flag, Secure Simple Pairing, Sniff Subrating.



Rev	Date	Comments
v2.0 + EDR	2004-10-15	This version of the specification is intended to be a separate Bluetooth Specification that has all the functional characteristics of the v1.2 Bluetooth Specification that adds the Enhanced Data Rate (EDR) feature which incorporates changes to Volume 1, Part B, Acronyms and Abbreviations.
v1.2	2003-11-05	New volume with informational content. This volume will always be updated in parallel with the Core System volumes.

1.3 [VOLS 2, 3, 5, 6 & 7] CONTROLLERS AND HOST

Rev	Date	Comments
5.4	2023-01-31	<ul style="list-style-type: none"> • New features added in 5.4; see [Vol 1] Part C, Section 13.1. • Incorporated errata; see [Vol 1] Part C, Section 13.3. Adopted by the Bluetooth SIG Board of Directors.
5.3	2021-07-13	<ul style="list-style-type: none"> • New features added in 5.3; see [Vol 1] Part C, Section 12.1 • Incorporated errata; see [Vol 1] Part C, Section 12.3 • Alternate MAC/PHY feature was deprecated and removed. • Updated terminology to remove inappropriate language. Adopted by the Bluetooth SIG Board of Directors.
5.2	2019-12-31	<ul style="list-style-type: none"> • New features added in 5.2: see [Vol 1] Part C, Section 11.1 • Incorporated erratum 11838: Encryption Key Size Updates; see [Vol 1] Part C, Section 11.2 • Incorporated other errata; see [Vol 1] Part C, Section 11.3 • Vol 2, Part D moved to Vol 1, Part F • Vol 2, Part E moved to Vol 4, Part E • Removed references to deprecated and withdrawn versions of the Core Specification Adopted by the Bluetooth SIG Board of Directors.
5.1	2019-01-21	<ul style="list-style-type: none"> • New features added in v5.1: see [Vol 1] Part C, Section 10.1. • Unit keys were deprecated and removed; see [Vol 1] Part C, Section 10.2 • Incorporated erratum 10734: Pairing Updates; see [Vol 1] Part C, Section 10.3 • Incorporated other errata; see [Vol 1] Part C, Section 10.4.

Version History and Acknowledgments



Rev	Date	Comments
5.0	2016-12-06	<ul style="list-style-type: none"> • New features added in 5.0: <ul style="list-style-type: none"> - CSA 5 features (Higher Output Power) - Slot Availability Mask (SAM) - 2 Msym/s PHY for LE - LE Long Range - High Duty Cycle Non-Connectable Advertising - LE Advertising Extensions - LE Channel Selection Algorithm #2 • Park State was deprecated and removed • Errata for v2.0 + EDR, v2.1 + EDR, v3.0 + HS + 4.0 + 4.1 + 4.2 (ESR09, ESR10 and ESR11). See also [Vol 1] Part C, Section 9.4.
4.2	2014-12-02	<ul style="list-style-type: none"> • New features added in 4.2: <ul style="list-style-type: none"> - LE Data Packet Length Extension - LE Secure Connections - Link Layer Privacy - Link Layer Extended Scanner Filter Policies • Errata for v2.0 + EDR, v2.1 + EDR, v3.0 + HS + 4.0 + 4.1 (ESR08). See also [Vol 1] Part C, Section 8.2.
4.1	2013-12-03	<ul style="list-style-type: none"> • New features added and changes made in 4.1: <ul style="list-style-type: none"> - CSA 2 features - CSA 3 features - CSA 4 features - Secure Connections - Train Nudging & Generalized Interlaced Scan - Low Duty Cycle Directed Advertising - 32-bit UUID Support in LE - LE Dual Mode Topology - Piconet Clock Adjustment - Removal of At Least One New Feature - LE L2CAP Connection-Oriented Channel Support - LE Privacy v1.1 - LE Link Layer Topology - LE Ping • Errata for v2.0 + EDR, v2.1 + EDR, v3.0 + HS + 4.0 (ESR05, ESR06 and ESR07)
4.0	2010-06-30	<ul style="list-style-type: none"> • New features added in 4.0: <ul style="list-style-type: none"> - Low Energy • Errata for v2.0 + EDR, v2.1 + EDR, v3.0 + HS

Version History and Acknowledgments



Rev	Date	Comments
3.0 + HS	2009-04-21	<ul style="list-style-type: none"> • New features added in 3.0 + HS: <ul style="list-style-type: none"> - AMP Manager Protocol (A2MP) - Enhancements to L2CAP for AMP - Enhancements to HCI for AMP - Enhancements to Security for AMP - 802.11 Protocol Adaptation Layer - Enhanced Power Control - Unicast Connectionless Data - HCI Read Encryption Key Size command - Generic Test Methodology for AMP - Enhanced USB and SDIO HCI Transports • Errata for v 2.0 + EDR and v2.1 + EDR
v2.1 + EDR	2007-07-26	<ul style="list-style-type: none"> • New features added in 2.1 + EDR: <ul style="list-style-type: none"> - Encryption Pause and Resume - Erroneous Data Reporting - Extended Inquiry Response - Link Supervision Timeout Changed Event - Non-Flushable Packet Boundary Flag - Secure Simple Pairing - Sniff Subrating - Security Mode 4 • Updates to IEEE language in Volume 2, Part H, Security • Errata for v2.0 + EDR
v2.0 + EDR	2004-08-01	<p>This version of the specification is intended to be a separate Bluetooth Specification. This version was created by adding EDR and the errata.</p>
v1.2	2003-11-05	<p>New features added in v1.2:</p> <ul style="list-style-type: none"> - Architectural overview - Faster connection - Adaptive frequency hopping - Extended SCO links - Enhanced error detection and flow control - Enhanced synchronization capability - Enhanced flow specification <p>The Core System Package now comprises two volumes and the text has gone through a radical change both in terms of structure and nomenclature. The language is also more precise and is adapted to meet the IEEE standard.</p> <p>The following parts are moved from the Core System Package to other volumes or were deprecated: RFCOMM [vol 7], Object Exchange (IrDA Interoperability) [vol 8], TCS [vol 9], Interoperability Requirements for Bluetooth as a WAP Bearer [vol 6], HCI USB Transport Layer [vol 4], HCI RS232 Transport Layer [vol 4], HCI UART Transport Layer [vol 4], Bluetooth Compliance Requirements [vol 0], Optional Paging Schemes [deprecated]</p>



Rev	Date	Comments
1.1	2001-02-22	The specification was updated with Errata items previously published on the web site. The Bluetooth Assigned Numbers appendix was lifted out from the specification to allow continuous maintenance on the web site.
1.0B	1999-12-01	The specification was updated with Errata items previously published on the web site and was revised from a linguistic point of view. The following parts were added: Interoperability Requirements for Bluetooth as a WAP Bearer, Test Control Interface, Sample Data (appendix), Bluetooth Audio (appendix), Baseband Timers (appendix) and Optional Paging Scheme (appendix)
1.0a	1999-07-26	The first version of the Bluetooth Specification published on the public web site. Added part: Bluetooth Compliance Requirements.
1.0 draft	1999-07-05	The following parts were added: Service Discovery Protocol (SDP), Telephony Control Specification (TCS), Bluetooth Assigned Numbers (appendix) and Message Sequence Charts (appendix)
0.9	1999-04-30	The following parts were added: IrDA Interoperability, HCI RS232 Transport Layer, HCI UART Transport Layer and Test Mode
0.8	1999-01-21	The following parts were added: Radio Specification, L2CAP, RFCOMM, HCI & HCI USB Transport Layer
0.7	1998-10-19	This first version only included Baseband and Link Manager Protocol

1.4 [VOL 4] HOST CONTROLLER INTERFACE

Rev	Date	Comments
5.4	2023-01-31	<ul style="list-style-type: none"> New features added in 5.4; see [Vol 1] Part C, Section 13.1. Incorporated errata; see [Vol 1] Part C, Section 13.3. Adopted by the Bluetooth SIG Board of Directors.
5.3	2021-07-13	<ul style="list-style-type: none"> New features added in 5.3; see [Vol 1] Part C, Section 12.1 Incorporated errata; see [Vol 1] Part C, Section 12.3 Alternate MAC/PHY feature was deprecated and removed. Updated terminology to remove inappropriate language. Adopted by the Bluetooth SIG Board of Directors.

Version History and Acknowledgments



Rev	Date	Comments
5.2	2019-12-31	<ul style="list-style-type: none"> • New features added in 5.2: see [Vol 1] Part C, Section 11.1 • Incorporated errata; see [Vol 1] Part C, Section 11.3 • Vol 2, Part E moved to Vol 4, Part E • Added requirements for supporting HCI commands and events for BR/EDR and AMP • Removed references to deprecated and withdrawn versions of the Core Specification Adopted by the Bluetooth SIG Board of Directors.
5.1	2019-01-21	Incorporated errata; see [Vol 1] Part C, Section 10.4 .
5.0	2016-12-06	Incorporated errata
4.2	2014-12-02	Incorporated errata
4.1	2013-12-03	Incorporated errata
4.0	2010-06-30	Incorporated errata
3.0 + HS	2009-04-21	Updated the USB and SDIO HCI Transport protocols for high speed, support composite BR/EDR + AMP devices, and to include errata.
v2.1 + EDR	2007-07-26	Added this volume to the specification



2 ACKNOWLEDGMENTS (UP TO v5.1)

2.1 [VOL 0] CONSOLIDATED TOC & COMPLIANCE REQUIREMENTS

2.1.1 Part B: Bluetooth Compliance Requirements

BQRB (Editor)	
Kevin Marquess	Broadcom
Wayne Park	3Com Corporation
Lawrence Jones	ComBit, Inc.
Magnus Sommansson	CSR
Gary Robinson	IBM Corporation
Georges Seuron	IBM Corporation
Rick Jessop	Intel Corporation
John Webb	Intel Corporation
Bruce Littlefield	Lucent Technologies, Inc.
Ellick Sung	Microsoft
Brian A. Redding	Motorola, Inc.
Waldemar Hontscha	Nokia Corporation
Petri Morko	Nokia Corporation
Joel Linksy	Qualcomm
Brian A. Redding	Qualcomm
Hans Andersson	ST Ericsson
Magnus Hansson	Telefonaktiebolaget LM Ericsson
Magnus Sommansson	Telefonaktiebolaget LM Ericsson
Göran Svernar	Telefonaktiebolaget LM Ericsson
Warren Allen	Toshiba Corporation
John Shi	Toshiba Corporation

2.1.2 Part C: Version History and Acknowledgments

Steve Davies	Nokia
--------------	-------



2.2 [VOL 1] ARCHITECTURE, MIXING, AND CONVENTIONS

2.2.1 Part A: Architectural Overview

Version 5.1

Jason Hillyard	ARM Ltd
Stephen Coe	BlackBerry Limited
Shawn Ding	Broadcom Corporation
Angel Polo	Broadcom Corporation
Raja Banerjea	CSR
Mayank Batra	CSR
Ian Blair	CSR
Robin Heydon	CSR
Sabita Nahata	CSR
Neil Stewart	CSR
Jonathan Tanner	CSR
Robert Hulvey	Cypress Semiconductor Corporation
Julien Gros	Dialog Semiconductor B.V.
Pontus Arvidson	Ericsson AB
Nick Hunn	GN Hearing A/S
Harish Balasubramaniam	Intel Corporation
Marcel Holtmann	Intel Corporation
Seung R. Yang	LG Electronics Inc.
Josselin de la Broise	Marvell Technology Group Ltd
Lichun Ko	Mediatek Inc.
Shwetha Mahadik	MindTree Limited
Juha Salokannel	Nokia Corporation
Jari Syrjärinne	Nokia Corporation
Jiao Xianjun	Nokia Corporation
Zhang Xin	Nokia Corporation
Frank Berntsen	Nordic Semiconductor ASA
Daniel Ryan	Nordic Semiconductor ASA
Joel Linsky	Qualcomm Atheros
Brian A. Redding	Qualcomm Atheros
Brian A. Redding	Qualcomm Technologies, Inc.
Mayank Batra	Qualcomm Technologies International, Ltd.
Daphne Liu	Realsil Microelectronics Inc
Jean-Philippe Lambert	RivieraWaves
Vivien-Thom Leng	RivieraWaves
Clive D.W. Feather	Samsung Electronics Co., Ltd.
Rasmus Abildgren	Samsung Electronics Co., Ltd.
Szymon Slupik	Silvair, Inc.

Version History and Acknowledgments



Jeff Solum	Starkey Hearing Technologies
Latifa Ali	Synopsys, Inc.
Khaled Elsayed	Synopsys, Inc.
Iman Shawky	Synopsys, Inc.
Florian Lefeuvre	Texas Instruments Incorporated
Tomas Motos Lopez	Texas Instruments Incorporated
Szymon Janc	Tieto Poland Sp.z.o.o.
Kanji Kerai	Widex A/S
Michael Ungstrup	Widex A/S

Version 5.0

Edward Harrison	Anritsu
Phil Hough	Anritsu
Shawn Ding	Broadcom
Steve Hall	Broadcom
Angel Polo	Broadcom
Knut Odman	Broadcom
Huanchun Ye	Broadcom
Burch Seymour	Continental Automotive
Dishant Srivastava	CSR
Raja Banerjea	CSR
Sandipan Kundu	CSR
Harish Balasubramaniam	Intel
Johan Hedberg	Intel
Marcel Holtmann	Intel
Tim Wei	IVT Wireless
Josselin de la Broise	Marvell
Yi-Ling Chao	Marvell
KC Chou	MediaTek
L.C. Ko	MediaTek
James Wang	MediaTek
Thomas Varghese	Mindtree
Phil Corbishley	Nordic Semiconductor ASA
David Engelen-Lopes	Nordic Semiconductor ASA
Eivind Sjøgren Olsen	Nordic Semiconductor
Sam Geeraerts	NXP
Chris Deck	ON Semiconductor
Bjarne Klemmensen	Oticon A/S
Amre El-Hoiydi	Phonak Communications AG
Till Schmalmack	Phonak Communications AG
Niclas Granqvist	Polar
RaviKiran Gopalan	Qualcomm Atheros

Version History and Acknowledgments



Mayank Batra	Qualcomm Technologies, Inc.
Robin Heydon	Qualcomm Technologies, Inc.
Joel Linsky	Qualcomm Technologies, Inc.
Brian A. Redding	Qualcomm Technologies, Inc.
Jonathan Tanner	Qualcomm Technologies, Inc.
Jean-Philippe Lambert	RivieraWaves
Rasmus Abildgren	Samsung Electronics Co., Ltd.
Clive D.W. Feather	Samsung Electronics Co., Ltd.
Michael Knudsen	Samsung Electronics Co., Ltd.
Jeff Solum	Starkey Hearing Technologies
Florian Lefeuvre	Texas Instruments
Tomás Motos López	Texas Instruments
Anthony Viscardi	Texas Instruments
Michael Ungstrup	Widex A/S

Version 1.2 to 4.2

John Padgette	Accenture
Edward Harrison	Anritsu
Phil Hough	Anritsu
Sriram Hariharan	Apple
Joakim Linde	Apple
Ayse Findikli	Atheros
Prasanna Desai	Broadcom
Shawn Ding	Broadcom
Leonid Eidelman	Broadcom
Steven Hall	Broadcom
Farooq Hameed	Broadcom Corporation
Robert Hulvey	Broadcom
Ash Kapur	Broadcom
Knut Odman	Broadcom
Angel Polo	Broadcom
Erik Rivard	Broadcom
Mayank Batra	CSR
Jennifer Bray	CSR
Chris Church	CSR
Joe Decuir	CSR
Giriraj Goyal	CSR
Robin Heydon	CSR
Henrik Hedlund	CSR
Tim Howes	CSR
Ian Jones	CSR
Simon Kingston	CSR
Sean Mitchell	CSR
Ross O'Connor	CSR

Version History and Acknowledgments



Steven Singer	CSR
Dishant Srivastava	CSR
Neil Stewart	CSR
Jonathan Tanner	CSR
Steven Wenham	CSR
Paul Wright	CSR
Martin van der Zee	Ericsson
Leif Wilhelmsson	Ericsson
David Suvak	iAnywhere
Mattias Edlund	Infineon
Selim Aissi	Intel
Harish Balasubramaniam	Intel
Penny Chen	Intel
Magnus Eriksson	Intel
Oren Haggai	Intel
Chris Hansen	Intel
Marcel Holtmann	Intel
Robert Hughes	Intel
Sharon Yang	Intel
Yao Wang	IVT
Josselin De La Broise	Marvell
Josh Benaloh	Microsoft
Andy Glass	Microsoft
Peter Hauser	Microsoft
Joby Lafky	Microsoft
Kristin Lauter	Microsoft
Dan Simon	Microsoft
Don Stanwyck	Microsoft
Yacov Yacobi	Microsoft
Gideon Yuval	Microsoft
L. C. Ko	MediaTek
Huanchun Ye	MediaTek
Anindya Bakshi	Mindtree
Shwetha Madadik	Mindtree
Krishna Singala	Mindtree
Greg Muchnik	Motorola
Brian A. Redding	Motorola
Lily Chen	NIST
N Asokan	Nokia
Steve Davies	Nokia
Philip Ginzboorg	Nokia
Kanji Kerai	Nokia
Noel Lobo	Nokia
Thomas Müller	Nokia
Kaisa Nyberg	Nokia

Version History and Acknowledgments



Arto Palin	Nokia
Päivi Ruuska	Nokia
Jürgen Schnitzler	Nokia
Frank Berntsen	Nordic Semiconductor
David Engelién-Lopes	Nordic Semiconductor
Dominique Everaere	NXP
Javier del Prado Pavon	NXP
Reinhard Meindl	NXP
Tsuyoshi Okada	Panasonic Corporation
Niclas Granqvist	Polar
Terry Bourk	Qualcomm
Olaf Hirsch	Qualcomm Atheros
Joel Linsky	Qualcomm Atheros
Cameron McDonald	Qualcomm Atheros
Brian A. Redding	Qualcomm Atheros
Jean-Philippe Lambert	RivieraWaves
Leonard Ott	Socket Mobile
Rasmus Abildgren	Samsung Electronics
Clive D.W. Feather	Samsung Electronics
Kyong-Sok Seo	Samsung Electronics Co. Ltd
Andrew Estrada	Sony Corporation
Masahiko Seki	Sony Corporation
Guido Bertoni	ST-Ericsson
Jorgen van Parijs	ST-Ericsson
Yves Wernaers	ST-Ericsson
Dominique Everaere	ST-NXP Wireless
Ed Callaway	Sunrise Micro Devices
Tim Howes	Symbian
Michael Hasling	Tality
Alon Cheifetz	Texas Instruments
Amihai Kidron	Texas Instruments
Alon Paycher	Texas Instruments
Eran Reuveni	Texas Instruments
Yoshimitsu Shimojo	Toshiba
John Mersh	TTPCom
Jason Hillyard	Wicentric
Rod Kimmell	X6D, Inc.

2.2.2 Part B: Acronyms & Abbreviations

Version 5.1

Jason Hillyard	ARM Ltd
Stephen Coe	BlackBerry Limited
Angel Polo	Broadcom Corporation
Raja Banerjee	CSR

Version History and Acknowledgments

Mayank Batra	CSR
Ian Blair	CSR
Robin Heydon	CSR
Sabita Nahata	CSR
Neil Stewart	CSR
Jonathan Tanner	CSR
Robert Hulvey	Cypress Semiconductor Corporation
Harish Balasubramaniam	Intel Corporation
Marcel Holtmann	Intel Corporation
Seung R. Yang	LG Electronics Inc.
Josselin de la Broise	Marvell Technology Group Ltd
Lichun Ko	Mediatek Inc.
Shwetha Mahadik	MindTree Limited
Juha Salokannel	Nokia Corporation
Jari Syrjärinne	Nokia Corporation
Jiao Xianjun	Nokia Corporation
Zhang Xin	Nokia Corporation
Daniel Ryan	Nordic Semiconductor ASA
Joel Linsky	Qualcomm Atheros
Brian A. Redding	Qualcomm Atheros
Mayank Batra	Qualcomm Technologies International, Ltd.
Daphne Liu	Realsil Microelectronics Inc
Jean-Philippe Lambert	RivieraWaves
Rasmus Abildgren	Samsung Electronics Co., Ltd.
Clive D.W. Feather	Samsung Electronics Co., Ltd.
Iman Shawky	Synopsys, Inc.
Florian Lefeuvre	Texas Instruments Incorporated
Tomas Motos Lopez	Texas Instruments Incorporated

Previous versions

Dan Sönnerstam	Pyramid Communication AB
Steve Koester	Bluetooth SIG, Inc.
Steve Davies	Nokia



2.2.3 Part C: Core Specification Change History

Version 5.1

Mayank Batra	Qualcomm Technologies International, Ltd.
Clive D.W. Feather	Samsung Electronics Co., Ltd.

Previous versions

Tom Siep	Bluetooth SIG Inc.
Robert Hulvey	Broadcom
Shawn Ding	Broadcom
Robin Heydon	CSR
Henrik Hedlund	CSR
Steven Singer	CSR
Paul Wright	CSR
David Suvak	iAnywhere
Mattias Edlund	Infineon
Rob Davies	Philips
Peter Hauser	Microsoft
Joel Linsky	Qualcomm
Terry Bourk	Qualcomm
Päivi Ruuska	Nokia
Arto Palin	Nokia
Dominique Everaere	NXP
Javier del Prado Pavon	NXP
Jorgen van Parijs	ST
Tim Howes	Symbian
Amihai Kidron	Texas Instruments
Eran Reuveni	Texas Instruments
Yoshimitsu Shimojo	Toshiba
John Mersh	TTPCom

2.2.4 Part D: Mixing of Specification Versions

Version 5.1

Mayank Batra	Qualcomm Technologies International, Ltd.
Clive D.W. Feather	Samsung Electronics Co., Ltd.

Previous versions

David Suvak	iAnywhere
Robert Hulvey	Broadcom
Shawn Ding	Broadcom
Kevin Marquess	Broadcom
Joe Decuir	CSR
Robin Heydon	CSR

Version History and Acknowledgments

Magnus Sommansson	CSR
Steven Singer	CSR
Mattias Edlund	Infineon
Peter Hauser	Microsoft
Elick Sung	Microsoft
Waldemar Hontscha	Nokia
Päivi Ruuska	Nokia
Arto Palin	Nokia
Dominique Everaere	NXP
Javier del Prado Pavon	NXP
Joel Linsky	Qualcomm Atheros
Terry Bourk	Qualcomm
Brian A. Redding	Qualcomm
Clive D.W. Feather	Samsung Electronics
Leonard Ott	Socket Communications
Jorgen van Parijs	ST
Hans Andersson	ST Ericsson
Tim Howes	Symbian
Amihai Kidron	Texas Instruments
Eran Reuveni	Texas Instruments
Shimojo Yoshimitsu	Toshiba

2.2.5 Part E: General Terminology and Interpretation*Version 5.1*

Clive D.W. Feather	Samsung Electronics Co., Ltd.
--------------------	-------------------------------

Previous versions

Angel Polo	Broadcom
Harish Balasubramaniam	Intel
Marcel Holtmann	Intel
Tim Wei	IVT Wireless
L.C. Ko	MediaTek
Chris Deck	ON Semiconductor
Bjarne Klemmensen	Oticon A/S
Mayank Batra	Qualcomm Technologies, Inc.
Robin Heydon	Qualcomm Technologies, Inc.
Joel Linsky	Qualcomm Technologies, Inc.
Brian A. Redding	Qualcomm Technologies, Inc.
Jonathan Tanner	Qualcomm Technologies, Inc.
Rasmus Abildgren	Samsung Electronics Co., Ltd.
Clive D.W. Feather	Samsung Electronics Co., Ltd.
Michael Knudsen	Samsung Electronics Co., Ltd.

Version History and Acknowledgments

Jeff Solum	Starkey
Florian Lefeuvre	Texas Instruments

2.2.6 Part F: Controller Error Codes*Version 5.1*

Jason Hillyard	ARM Ltd
Stephen Coe	BlackBerry Limited
Angel Polo	Broadcom Corporation
Raja Banerjea	CSR
Mayank Batra	CSR
Ian Blair	CSR
Robin Heydon	CSR
Sabita Nahata	CSR
Neil Stewart	CSR
Jonathan Tanner	CSR
Robert Hulvey	Cypress Semiconductor Corporation
Harish Balasubramaniam	Intel Corporation
Marcel Holtmann	Intel Corporation
Seung R. Yang	LG Electronics Inc.
Josselin de la Broise	Marvell Technology Group Ltd
Lichun Ko	Mediatek Inc.
Shwetha Mahadik	MindTree Limited
Juha Salokannel	Nokia Corporation
Jari Syrjärinne	Nokia Corporation
Jiao Xianjun	Nokia Corporation
Zhang Xin	Nokia Corporation
Daniel Ryan	Nordic Semiconductor ASA
Joel Linsky	Qualcomm Atheros
Brian A. Redding	Qualcomm Atheros
Mayank Batra	Qualcomm Technologies International, Ltd.
Daphne Liu	Realsil Microelectronics Inc
Jean-Philippe Lambert	RivieraWaves
Rasmus Abildgren	Samsung Electronics Co., Ltd.
Clive D.W. Feather	Samsung Electronics Co., Ltd.
Iman Shawky	Synopsys, Inc.
Florian Lefeuvre	Texas Instruments Incorporated
Tomas Motos Lopez	Texas Instruments Incorporated

Version History and Acknowledgments*Version 5.0*

Steven Hall	Broadcom
Knut Odman	Broadcom
Angel Polo	Broadcom
Huanchun Ye	Broadcom
Burch Seymour	Continental Automotive
Marcel Holtmann	Intel
Harish Balasubramaniam	Intel
Tim Wei	IVT Wireless
Josselin de la Broise	Marvell
L.C. Ko	MediaTek
Chris Deck	ON Semiconductor
Bjarne Klemmensen	Oticon A/S
Robin Heydon	Qualcomm Technologies, Inc.
Joel Linsky	Qualcomm Technologies, Inc.
Brian A. Redding	Qualcomm Technologies, Inc.
Mayank Batra	Qualcomm Technologies, Inc.
Jonathan Tanner	Qualcomm Technologies, Inc.
Rasmus Abildgren	Samsung Electronics Co., Ltd.
Michael Knudsen	Samsung Electronics Co., Ltd.
Clive D.W. Feather	Samsung Electronics Co., Ltd.
Jeff Solum	Starkey
Florian Lefeuvre	Texas Instruments

Version 4.1

Shawn Ding	Broadcom
Steven Hall	Broadcom
Knut Odman	Broadcom
Angel Polo	Broadcom
Mayank Batra	CSR
Joe Decuir	CSR
Giriraj Goyal	CSR
Neil Stewart	CSR
Leif Wilhelmsson	Ericsson
Harish Balasubramaniam	Intel
Magnus Eriksson	Intel
Sharon Yang	Intel
Olaf Hirsch	Qualcomm Atheros
Joel Linsky	Qualcomm Atheros
Jean-Philippe Lambert	RivieraWaves
Clive D.W. Feather	Samsung Electronics
Jorgen van Parijs	ST Ericsson
Yves Wernaers	ST-Ericsson

Version History and Acknowledgments

Alon Cheifetz	Texas Instruments
Jason Hillyard	Wicentric

Version 4.0

Robert Hulvey	Broadcom
Steven Wenham	CSR
Kanji Kerai	Nokia
Steve Davies	Nokia
Tim Howes	Nokia
Brian A. Redding	Qualcomm
Joel Linsky	Qualcomm
Geert Sonck	ST Ericsson

Version 3.0 + HS

Phil Hough	Anritsu
Kevin Hayes	Atheros
Stratos Chatzikyriakos	Artimi
Shawn Ding	Broadcom
Joe Decuir	CSR
David Suvak	iAnywhere
Koen Derom	NXP Semiconductors
Joel Linsky	Qualcomm
Krishnan Rajamani	Qualcomm
John Hillan	Qualcomm
Mayank Sharma	SiRF
Jason Hillyard	Staccato Communications
William Stoye	Staccato Communications

Version 2.1 + EDR

Ayse Findikli	Atheros
Robert Hulvey	Broadcom
Shawn Ding	Broadcom
Robin Heydon	CSR
Simon Kingston	CSR
Steven Singer	CSR
Steven Wenham	CSR
Selim Aissi	Intel
Penny Chen	Intel
Mattias Edlund	Infineon
Josh Benaloh	Microsoft
Andy Glass	Microsoft
Peter Hauser	Microsoft
Joby Lafky	Microsoft
Kristin Lauter	Microsoft
Dan Simon	Microsoft

Version History and Acknowledgments



Don Stanwyck	Microsoft
Yacov Yacobi	Microsoft
Gideon Yuval	Microsoft
Greg Muchnik	Motorola
N Asokan	Nokia
Philip Ginzboorg	Nokia
Kanji Kerai	Nokia
Noel Lobo	Nokia
Kaisa Nyberg	Nokia
Arto Palin	Nokia
Päivi Ruuska	Nokia
Dominique Everaere	NXP
Reinhard Meindl	NXP
Joel Linsky	Qualcomm
Terry Bourk	Qualcomm
Guido Bertoni	ST
Eran Reuveni	Texas Instruments
Shimojo Yoshimitsu	Toshiba

Version 1.2

Robin Heydon (section owner)	CSR
Roland Hellfajer	Infineon
Joel Linsky	Silicon Wave
John Mersh	TTPCom

This part was earlier included in the LMP and HCI functional Specifications.

2.3 [VOL 2] BR/EDR CONTROLLER

2.3.1 Part A: Radio Specification

Version 3.0 + HS

Phil Hough	Anritsu
Edward Harrison	Anritsu
Robert Hulvey	Broadcom
Shawn Ding	Broadcom
Mark Braun	Motorola
Joel Linsky	Qualcomm
Eran Reuveni	TI

Version 2.0 + EDR

Steven Hall	RF Micro Devices
Robert Young	CSR
Robert Kokke	Ericsson
Harald Kafemann	Nokia

Version History and Acknowledgments



Jukka Reunamäki	Nokia
Morton Gade	Digianswer
Mike Fitton	Toshiba
Oren Eliezer	Texas Instruments
Stephane Laurent-Michel	Tality

Version 1.2

Tom Siep	Bluetooth SIG Inc.
Jennifer Bray	CSR
Robin Heydon	CSR
Morten Gade	Digianswer/Motorola
Henrik Hedlund	Ericsson
Stefan Agnani	Ericsson
Robert Kokke	Ericsson
Roland Hellfajer	Infineon
Thomas Müller	Nokia
Antonio Salloum	Philips
Joel Linsky	Silicon Wave
Steven Hall	Silicon Wave
Oren Eliezer	Texas Instruments
Mike Fitton	Toshiba

Previous versions

Steve Williams	3Com Corporation
Todor V. Cooklov	Aware
Poul Hove Kristensen	Digianswer A/S
Kurt B. Fischer	Hyper Corporation
Kevin D. Marquess	Hyper Corporation
Troy Beukema	IBM Corporation
Brian Gaucher	IBM Corporation
Jeff Schiffer	Intel Corporation
James P. Gilb	Mobilian
Rich L. Ditch	Motorola, Inc.
Paul Burgess	Nokia Corporation
Olaf Joeressen	Nokia Corporation
Thomas Müller	Nokia Corporation
Arto T. Palin	Nokia Corporation
Steven J. Shellhammer	Symbol
Sven Mattisson	Telefonaktiebolaget LM Ericsson
Lars Nord (section owner)	Telefonaktiebolaget LM Ericsson
Anders Svensson	Telefonaktiebolaget LM Ericsson
Mary A. DuVal	Texas Instruments
Allen Hotari	Toshiba Corporation



2.3.2 Part B: Baseband Specification

Version 5.0

Steven Hall	Broadcom
Knut Odman	Broadcom
Huanchun Ye	Broadcom
Burch Seymour	Continental Automotive
Harish Balasubramaniam	Intel
Josselin de la Broise	Marvell
L. C. Ko	MediaTek
Joel Linsky	Qualcomm Technologies, Inc.
Clive D.W. Feather	Samsung Electronics Co., Ltd.

Version 4.1

John Padgette	Accenture
Prasanna Desai	Broadcom
Shawn Ding	Broadcom
Steven Hall	Broadcom
Farooq Hameed	Broadcom
Robert Hulvey	Broadcom
Knut Odman	Broadcom
Erik Rivard	Broadcom
Mayank Batra	CSR
Joe Decuir	CSR
Ian Jones	CSR
Sean Mitchell	CSR
Ross O'Connor	CSR
Steven Singer	CSR
Dishant Srivastava	CSR
Steven Wenham	CSR
Leif Wilhelmsson	Ericsson
Oren Haggai	Intel
Marcel Holtmann	Intel
Sharon Yang	Intel
Josselin de la Broise	Marvell
L. C. Ko	MediaTek
Huanchun Ye	MediaTek
Lily Chen	NIST
Kaisa Nyberg	Nokia
Tsuyoshi Okada	Panasonic Corporation
Olaf Hirsch	Qualcomm Atheros
Joel Linsky	Qualcomm Atheros
Cameron McDonald	Qualcomm Atheros
Brian A. Redding	Qualcomm Atheros
Jean-Philippe Lambert	RivieraWaves

Version History and Acknowledgments

Clive D.W. Feather	Samsung Electronics
Kyong-Sok Seo	Samsung Electronics Co. Ltd
Andrew Estrada	Sony Corporation
Masahiko Seki	Sony Corporation
Jorgen van Parijs	ST Ericsson
Yves Wernaers	ST-Ericsson
Alon Cheifetz	Texas Instruments
Alon Paycher	Texas Instruments
Rod Kimmell	X6D, Inc.

Version 2.1 + EDR

Ayse Findikli	Atheros
Robert Hulvey	Broadcom
Shawn Ding	Broadcom
Robin Heydon	CSR
Simon Kingston	CSR
Steven Singer	CSR
Steven Wenham	CSR
Paul Wright	CSR
Dave Suvak	iAnywhere
Mattias Edlund	Infineon
Selim Aissi	Intel
Penny Chen	Intel
Oren Haggai	Intel
Josh Benaloh	Microsoft
Andy Glass	Microsoft
Peter Hauser	Microsoft
Joby Lafky	Microsoft
Kristin Lauter	Microsoft
Dan Simon	Microsoft
Don Stanwyck	Microsoft
Yacov Yacobi	Microsoft
Gideon Yuval	Microsoft
Greg Muchnik	Motorola
N Asokan	Nokia
Philip Ginzboorg	Nokia
Kanji Kerai	Nokia
Noel Lobo	Nokia
Kaisa Nyberg	Nokia
Arto Palin	Nokia
Päivi Ruuska	Nokia
Joel Linsky	Qualcomm
Terry Bourk	Qualcomm
Dominique Everaere	NXP
Javier del Prado Pavon	NXP

Version History and Acknowledgments

Reinhard Meindl	NXP
Jorgen van Parijs	ST
Guido Bertoni	ST
Tim Howes	Symbian
Amihai Kidron	Texas Instruments
Eran Reuveni	Texas Instruments
Yoshimitsu Shimojo	Toshiba

Version 2.0 + EDR

Steven Hall	RF Micro Devices
Robert Young	CSR
Robert Kokke	Ericsson
Harald Kafemann	Nokia
Joel Linsky	RF Micro Devices
Terry Bourk	RF Micro Devices
Arto Palin	Nokia

Version 1.2

P G Madhavan	Agere
Hongbing Gan	Bandspeed, Inc.
Tod Sizer	Bell Labs
Alexander Thoukydides	CSR
Jennifer Bray	CSR
Robin Heydon	CSR
Kim Schneider	Digianswer/Motorola
Knud Dyring-Olsen	Digianswer/Motorola
Niels Nielsen	Digianswer/Motorola
Henrik Andersen	Digianswer/Motorola
Christian Gehrman	Ericsson
Henrik Hedlund	Ericsson
Jan Åberg	Ericsson
Martin van der Zee	Ericsson
Rakesh Taori	Ericsson
Jaap Haartsen	Ericsson
Stefan Zürbes	Ericsson
Roland Hellfajer	Infineon
YC Maa	Integrated Programmable Communications, Inc.
HungKun Chen	Integrated Programmable Communications, Inc.
Steve McGowan	Intel
Adrian Stephens	Mobilian Corporation
Jim Lansford	Mobilian Corporation
Eric Mehofer	Motorola
Arto Palin	Nokia
Carmen Kühl	Nokia
Hannu Laine	Nokia

Version History and Acknowledgments



Jürgen Schnitzler	Nokia
Päivi Ruuska	Nokia
Thomas Müller	Nokia
Antonio Salloum	Philips
Harmke de Groot	Philips
Marianne van de Castelee	Philips
Rob Davies	Philips
Roland Matthijssen	Philips
Joel Linsky (section owner)	Silicon Wave
Terry Bourk	Silicon Wave
Gary Schneider	Symbol Technologies, Inc.
Stephen J. Shellhammer	Symbol Technologies, Inc.
Michael Hasling	Tality
Amihai Kidron	Texas Instruments
Dan Michael	Texas Instruments
Eli Dekel	Texas Instruments
Jie Liang	Texas Instruments
Oren Eliezer	Texas Instruments
Tally Shina	Texas Instruments
Yariv Raveh	Texas Instruments
Anuj Batra	Texas Instruments
Katsuhiko Kinoshita	Toshiba
Toshiki Kizu	Toshiba
Yoshimitsu Shimojo	Toshiba
Charles Sturman	TTPCom
John Mersh	TTPCom
Sam Turner	TTPCom
Christoph Scholtz	University of Bonn
Simon Baatz	University of Bonn

Previous versions

Kevin D. Marquess	Hyper Corporation
Chatschik Bisdikian	IBM Corporation
Kris Fleming	Intel Corporation
James P. Gilb	Mobilian
David E. Cypher	NIST
Nada Golmie	NIST
Olaf Joeressen	Nokia Corporation
Thomas Müller	Nokia Corporation
Charlie Mellone	Motorola, Inc.
Harmke de Groot	Philips
Terry Bourk	Silicon Wave
Steven J. Shellhammer	Symbol
Jaap Haartsen	Telefonaktiebolaget LM Ericsson
Henrik Hedlund (section owner)	Telefonaktiebolaget LM Ericsson

Version History and Acknowledgments

Tobias Melin	Telefonaktiebolaget LM Ericsson
Joakim Persson	Telefonaktiebolaget LM Ericsson
Mary A. DuVal	Texas Instruments
Onn Haran	Texas Instruments
Thomas M. Siep	Texas Instruments
Ayse Findikli	Zeevo, Inc.

Previous versions [Encryption Sample Data, appendix]

Joel Linksy	RFMD
Thomas Müller	Nokia Corporation
Thomas Sander	Nokia Corporation
Joakim Persson (section owner)	Telefonaktiebolaget LM Ericsson

Previous versions [Bluetooth Audio, appendix]

Magnus Hansson	Telefonaktiebolaget LM Ericsson
Fisseha Mekuria	Telefonaktiebolaget LM Ericsson
Mats Omrin	Telefonaktiebolaget LM Ericsson
Joakim Persson (section owner)	Telefonaktiebolaget LM Ericsson

Previous versions [Baseband Timers, appendix]

David E. Cyper	NIST
Jaap Haartsen (section owner)	Telefonaktiebolaget LM Ericsson
Joakim Persson	Telefonaktiebolaget LM Ericsson
Ayse Findikli	Zeevo, Inc.

2.3.3 Part C: Link Manager Protocol*Version 5.0*

Steven Hall	Broadcom
Knut Odman	Broadcom
Huanchun Ye	Broadcom
Burch Seymour	Continental Automotive
Harish Balasubramaniam	Intel
Josselin de la Broise	Marvell
L. C. Ko	MediaTek
Joel Linsky	Qualcomm Technologies, Inc.
Clive D.W. Feather	Samsung Electronics Co., Ltd.

Version History and Acknowledgments*Version 4.1*

Joakim Linde	Apple
Shawn Ding	Broadcom
Prasanna Desai	Broadcom
Steven Hall	Broadcom
Farooq Hameed	Broadcom
Robert Hulvey	Broadcom
Knut Odman	Broadcom
Angel Polo	Broadcom
Erik Rivard	Broadcom
Mayank Batra	CSR
Joe Decuir	CSR
Tim Howes	CSR
Ian Jones	CSR
Sean Mitchell	CSR
Ross O'Connor	CSR
Steven Singer	CSR
Dishant Srivastava	CSR
Jonathan Tanner	CSR
Steven Wenham	CSR
Leif Wilhelmsson	Ericsson
Magnus Eriksson	Intel
Marcel Holtmann	Intel
Sharon Yang	Intel
Josselin de la Broise	Marvell
L. C. Ko	MediaTek
Huanchun Ye	MediaTek
Krishna Singala	Mindtree
Lily Chen	NIST
Kaisa Nyberg	Nokia
Tsuyoshi Okada	Panasonic Corporation
Niclas Granqvist	Polar
Olaf Hirsch	Qualcomm Atheros
Joel Linsky	Qualcomm Atheros
Cameron McDonald	Qualcomm Atheros
Brian A. Redding	Qualcomm Atheros
Jean-Philippe Lambert	RivieraWaves
Rasmus Abildgren	Samsung Electronics
Clive D.W. Feather	Samsung Electronics
Kyong-Sok Seo	Samsung Electronics Co. Ltd
Andrew Estrada	Sony Corporation
Masahiko Seki	Sony Corporation
Jorgen van Parijs	ST Ericsson
Yves Wernaers	ST-Ericsson
Alon Cheifetz	Texas Instruments

Version History and Acknowledgments

Alon Paycher	Texas Instruments
Rod Kimmell	X6D, Inc.

Version 4.0

Robin Heydon	CSR
Steven Wenham	CSR
Kanji Kerai	Nokia
Steve Davies	Nokia
Tim Howes	Nokia
Brian A. Redding	Qualcomm
Joel Linsky	Qualcomm
Alon Paycher	Texas Instruments

Version 3.0 + HS

Phil Hough	Anritsu
Edward Harrison	Anritsu
Shawn Ding	Broadcom
Robert Hulvey	Broadcom
Mark Braun	Motorola
Joel Linsky	Qualcomm
Eran Reuveni	TI

Version 2.1 + EDR

P G Madhavan	Agere
Ayse Findikli	Atheros
Robert Hulvey	Broadcom
Shawn Ding	Broadcom
Robin Heydon	CSR
Henrik Hedlund	CSR
Simon Kingston	CSR
Steven Singer	CSR
Steven Wenham	CSR
Paul Wright	CSR
Dave Suvak	iAnywhere
Selim Aissi	Intel
Penny Chen	Intel
Mattias Edlund	Infineon
Josh Benaloh	Microsoft
Andy Glass	Microsoft
Peter Hauser	Microsoft
Joby Lafky	Microsoft
Kristin Lauter	Microsoft
Dan Simon	Microsoft
Don Stanwyck	Microsoft
Yacov Yacobi	Microsoft

Version History and Acknowledgments

Gideon Yuval	Microsoft
Peter Hauser	Microsoft
Greg Muchnik	Motorola
N Asokan	Nokia
Philip Ginzboorg	Nokia
Kanji Kerai	Nokia
Noel Lobo	Nokia
Kaisa Nyberg	Nokia
Arto Palin	Nokia
Päivi Ruuska	Nokia
Joel Linsky	Qualcomm
Terry Bourk	Qualcomm
Dominique Everaere	NXP
Javier del Prado Pavon	NXP
Reinhard Meindl	NXP
Jorgen van Parijs	ST
Guido Bertoni	ST
Tim Howes	Symbian
Amihai Kidron	Texas Instruments
Eran Reuveni	Texas Instruments
Shimojo Yoshimitsu	Toshiba

Version 2.0 + EDR

John Mersh	TTPCom Ltd.
Joel Linsky	RF Micro Devices
Harald Kafemann	Nokia
Simon Morris	CSR

Version 1.2

Jennifer Bray	CSR
Robin Heydon	CSR
Simon Morris	CSR
Alexander Thoukydides	CSR
Kim Schneider	Digianswer/Motorola
Knud Dyring-Olsen	Digianswer/Motorola
Henrik Andersen	Digianswer/Motorola
Jan Åberg	Ericsson
Martin van der Zee	Ericsson
Roland Hellfajer	Infineon
YC Maa	Integrated Programmable Communications, Inc.
Steve McGowan	Intel
Tod Sizer	Lucent Technologies
Adrian Stephens	Mobilian
Jürgen Schnitzler	Nokia
Thomas Müller	Nokia

Version History and Acknowledgments

Carmen Kuhl	Nokia
Arto Palin	Nokia
Thomas Müller	Nokia
Roland Matthijssen	Philips
Rob Davies	Philips
Harmke de Groot	Philips
Antonio Salloum	Philips
Joel Linsky	Silicon Wave
Terry Bourk	Silicon Wave
Yariv Raveh	Texas Instruments
Tally Shina	Texas Instruments
Amihai Kidron	Texas Instruments
Yoshimitsu Shimojo	Toshiba
Toshiki Kizu	Toshiba
John Mersh (section owner)	TTPCom
Sam Turner	TTPCom

Previous versions

Kim Schneider	Digianswer A/S
Toru Aihara	IBM Corporation
Chatschik Bisdikian	IBM Corporation
Kris Fleming	Intel Corporation
David E. Cypher	NIST
Thomas Busse	Nokia Corporation
Julien Corthial	Nokia Corporation
Olaf Joeressen	Nokia Corporation
Thomas Müller	Nokia Corporation
Dong Nguyen	Nokia Corporation
Harmke de Groot	Philips
Terry Bourk	Silicon Wave
Johannes Elg	Telefonaktiebolaget LM Ericsson
Jaap Haartsen	Telefonaktiebolaget LM Ericsson
Tobias Melin (section owner)	Telefonaktiebolaget LM Ericsson
Mary A. DuVal	Texas Instruments
Onn Haran	Texas Instruments
John Mersh	TTPCom

2.3.4 Part D: [This part is no longer used]

Acknowledgments for the Controller Error Codes are located in [Section 2.2.6](#).

2.3.5 Part E: [This part is no longer used]

Acknowledgments for the Host Controller Interface Functional Specification are located in [Section 2.5.2](#).



2.3.6 Part F: Message Sequence Charts

Version 5.0

Steven Hall	Broadcom
Knut Odman	Broadcom
Huanchun Ye	Broadcom
Burch Seymour	Continental Automotive
Harish Balasubramaniam	Intel
Josselin de la Broise	Marvell
L. C. Ko	MediaTek
Joel Linsky	Qualcomm Technologies, Inc.
Clive D.W. Feather	Samsung Electronics Co., Ltd.

Version 4.1

John Padgette	Accenture
Prasanna Desai	Broadcom
Farooq Hameed	Broadcom
Robert Hulvey	Broadcom
Erik Rivard	Broadcom
Mayank Batra	CSR
Ian Jones	CSR
Sean Mitchell	CSR
Ross O'Connor	CSR
Steven Singer	CSR
Dishant Srivastava	CSR
Steven Wenham	CSR
Marcel Holtmann	Intel
Josselin De La Broise	Marvell
Lily Chen	NIST
Kaisa Nyberg	Nokia
Tsuyoshi Okada	Panasonic Corporation
Joel Linsky	Qualcomm Atheros
Cameron McDonald	Qualcomm Atheros
Brian A. Redding	Qualcomm Atheros
Jean-Philippe Lambert	RivieraWaves
Clive D.W. Feather	Samsung Electronics
Kyong-Sok Seo	Samsung Electronics Co. Ltd
Andrew Estrada	Sony Corporation
Masahiko Seki	Sony Corporation
Alon Cheifetz	Texas Instruments
Alon Paycher	Texas Instruments
Rod Kimmell	X6D, Inc.

Version History and Acknowledgments*Version 3.0 + HS*

Phil Hough	Anritsu
Kevin Hayes	Atheros
Stratos Chatzikiyiakos	Artimi
Shawn Ding	Broadcom
Joe Decuir	CSR
David Suvak	iAnywhere
Koen Derom	NXP Semiconductors
Joel Linsky	Qualcomm
Krishnan Rajamani	Qualcomm
John Hillan	Qualcomm
Mayank Sharma	SIRF
Jason Hillyard	Staccato Communications
William Stoye	Staccato Communications

Version 2.1 + EDR

Ayse Findikli	Atheros
Robert Hulvey	Broadcom
Shawn Ding	Broadcom
Henrik Hedlund	CSR
Robin Heydon	CSR
Simon Kingston	CSR
Steven Singer	CSR
Steven Wenham	CSR
Selim Aissi	Intel
Penny Chen	Intel
Mattias Edlund	Infineon
Josh Benaloh	Microsoft
Andy Glass	Microsoft
Peter Hauser	Microsoft
Joby Lafky	Microsoft
Kristin Lauter	Microsoft
Dan Simon	Microsoft
Don Stanwyck	Microsoft
Yacov Yacobi	Microsoft
Gideon Yuval	Microsoft
Greg Muchnik	Motorola
N Asokan	Nokia
Philip Ginzboorg	Nokia
Kanji Kerai	Nokia
Noel Lobo	Nokia
Kaisa Nyberg	Nokia
Päivi Ruuska	Nokia
Dominique Everaere	NXP
Reinhard Meindl	NXP

Version History and Acknowledgments



Joel Linsky	Qualcomm
Terry Bourk	Qualcomm
Guido Bertoni	ST
Tim Howes	Symbian
Amihai Kidron	Texas Instruments
Eran Reuveni	Texas Instruments
Shimojo Yoshimitsu	Toshiba

Version 1.2

Tom Siep	Bluetooth SIG Inc.
Robin Heydon (section owner)	CSR
Simon Morris	CSR
Jan Åberg	Ericsson
Christian Gehrman	Ericsson
Joel Linsky	Silicon Wave
John Mersh	TTPCom

Previous versions

Todor Cooklev	3Com Corporation
Toru Aihara	IBM Corporation
Chatschik Bisdikian	IBM Corporation
Nathan Lee	IBM Corporation
Kris Fleming	Intel Corporation
Greg Muchnik	Motorola, Inc.
David E. Cypher	NIST
Thomas Busse	Nokia Corporation
Dong Nguyen (section owner)	Nokia Corporation
Fujio Watanabe	Nokia Corporation
Christian Johansson	Telefonaktiebolaget LM Ericsson
Tobias Melin	Telefonaktiebolaget LM Ericsson
Mary A. DuVal	Texas Instruments

2.3.7 Part G: Sample Data

Version 4.1

John Padgette	Accenture
Prasanna Desai	Broadcom
Farooq Hameed	Broadcom
Robert Hulvey	Broadcom
Erik Rivard	Broadcom
Mayank Batra	CSR
Ian Jones	CSR
Sean Mitchell	CSR
Ross O'Connor	CSR
Steven Singer	CSR

Version History and Acknowledgments



Dishant Srivastava	CSR
Steven Wenham	CSR
Marcel Holtmann	Intel
Josselin De La Broise	Marvell
Lily Chen	NIST
Kaisa Nyberg	Nokia
Tsuyoshi Okada	Panasonic Corporation
Joel Linsky	Qualcomm Atheros
Cameron McDonald	Qualcomm Atheros
Brian A. Redding	Qualcomm Atheros
Jean-Philippe Lambert	RivieraWaves
Clive D.W. Feather	Samsung Electronics
Kyong-Sok Seo	Samsung Electronics Co. Ltd
Andrew Estrada	Sony Corporation
Masahiko Seki	Sony Corporation
Alon Cheifetz	Texas Instruments
Alon Paycher	Texas Instruments
Rod Kimmell	X6D, Inc.

Version 3.0 + HS

Kevin Hayes	Atheros
Robert Hulvey	Broadcom
Yao Wang	IVT
Joel Linsky	Qualcomm
John Saad	Qualcomm

Version 2.1 + EDR

Ayse Findikli	Atheros
Robert Hulvey	Broadcom
Shawn Ding	Broadcom
Robin Heydon	CSR
Simon Kingston	CSR
Steven Singer	CSR
Steven Wenham	CSR
Selim Aissi	Intel
Penny Chen	Intel
Josh Benaloh	Microsoft
Andy Glass	Microsoft
Peter Hauser	Microsoft
Joby Lafky	Microsoft
Kristin Lauter	Microsoft
Dan Simon	Microsoft
Don Stanwyck	Microsoft
Yacov Yacobi	Microsoft
Gideon Yuval	Microsoft

Version History and Acknowledgments



Greg Muchnik	Microsoft
N Asokan	Nokia
Philip Ginzboorg	Nokia
Kanji Kerai	Nokia
Noel Lobo	Nokia
Kaisa Nyberg	Nokia
Arto Palin	Nokia
Päivi Ruuska	Nokia
Dominique Everaere	NXP
Reinhard Meindl	NXP
Guido Bertoni	ST
Eran Reuveni	Texas Instruments
Shimojo Yoshimitsu	Toshiba

Version 1.2

Joel Linsky	Silicon Wave
-------------	--------------

Previous versions

Thomas Müller	Nokia Corporation
Thomas Sander	Nokia Corporation
Joakim Persson (section owner)	Telefonaktiebolaget LM Ericsson

2.3.8 Part H: Security Specification

Version 4.2

Sriram Hariharan	Apple
Angel Polo	Broadcom
Mayank Batra	CSR
Joe Decuir	CSR
Giriraj Goyal	CSR
Robin Heydon	CSR
Harish Balasubramaniam	Intel
Marcel Holtmann	Intel
Yao Wang	IVT Corporation
Frank Berntsen	Nordic Semiconductor
David Engelen-Lopes	Nordic Semiconductor
Rasmus Abildgren	Samsung Electronics
Joel Linsky	Qualcomm Atheros
Brian A. Redding	Qualcomm Atheros
Jason Hillyard	Wicentric

Version History and Acknowledgments*Version 4.1*

John Padgette	Accenture
Prasanna Desai	Broadcom
Robert Hulvey	Broadcom
Erik Rivard	Broadcom
Mayank Batra	CSR
Ian Jones	CSR
Sean Mitchell	CSR
Ross O'Connor	CSR
Steven Singer	CSR
Steven Wenham	CSR
Marcel Holtmann	Intel
Josselin De La Broise	Marvell
Lily Chen	NIST
Kaisa Nyberg	Nokia
Joel Linsky	Qualcomm Atheros
Cameron McDonald	Qualcomm Atheros
Jean-Philippe Lambert	RivieraWaves
Clive D.W. Feather	Samsung Electronics
Alon Cheifetz	Texas Instruments
Alon Paycher	Texas Instruments

Version 3.0 + HS

Phil Hough	Anritsu
Edward Harrison	Anritsu
Kevin Hayes	Atheros
Shawn Ding	Broadcom
Robert Hulvey	Broadcom
Yao Wang	IVT
Mark Braun	Motorola
Kaisa Nyberg	Nokia
John Saad	Qualcomm
Joel Linsky	Qualcomm
Eran Reuveni	TI

Version 2.1 + EDR

Ayse Findikli	Atheros
Robert Hulvey	Broadcom
Shawn Ding	Broadcom
Henrik Hedlund	CSR
Robin Heydon	CSR
Simon Kingston	CSR
Steven Singer	CSR
Steven Wenham	CSR
Selim Aissi	Intel

Version History and Acknowledgments

Penny Chen	Intel
Josh Benaloh	Microsoft
Andy Glass	Microsoft
Peter Hauser	Microsoft
Joby Lafky	Microsoft
Kristin Lauter	Microsoft
Dan Simon	Microsoft
Don Stanwyck	Microsoft
Yacov Yacobi	Microsoft
Gideon Yuval	Microsoft
Greg Muchnik	Microsoft
Mattias Edlund	Infineon
N Asokan	Nokia
Philip Ginzboorg	Nokia
Kanji Kerai	Nokia
Noel Lobo	Nokia
Kaisa Nyberg	Nokia
Arto Palin	Nokia
Päivi Ruuska	Nokia
Dominique Everaere	NXP
Reinhard Meindl	NXP
Joel Linsky	QUALCOMM
Terry Bourk	QUALCOMM
Guido Bertoni	ST
Amihai Kidron	Texas Instruments
Eran Reuveni	Texas Instruments
Shimojo Yoshimitsu	Toshiba

2.4 [VOL 3] HOST**2.4.1 Part A: Logical Link Control and Adaptation Protocol Specification***Version 4.2*

Sriram Hariharan	Apple
Angel Polo	Broadcom
Mayank Batra	CSR
Joe Decuir	CSR
Giriraj Goyal	CSR
Robin Heydon	CSR
Harish Balasubramaniam	Intel
Marcel Holtmann	Intel
Yao Wang	IVT Corporation
Frank Berntsen	Nordic Semiconductor
David Engeliens-Lopes	Nordic Semiconductor
Rasmus Abildgren	Samsung Electronics

Version History and Acknowledgments

Joel Linsky	Qualcomm Atheros
Brian A. Redding	Qualcomm Atheros
Jason Hillyard	Wicentric

Version 4.1

Leonid Eidelman	Broadcom
Ash Kapur	Broadcom
Angel Polo	Broadcom
Mayank Batra	CSR
Chris Church	CSR
Giriraj Goyal	CSR
Robin Heydon	CSR
Tim Howes	CSR
Neil Stewart	CSR
Harish Balasubramaniam	Intel
Magnus Eriksson	Intel
Oren Haggai	Intel
Marcel Holtmann	Intel
Robert Hughes	Intel
Yao Wang	IVT
Josselin De La Broise	Marvell
Anindya Bakshi	Mindtree
Shwetha Madadik	Mindtree
Krishna Singala	Mindtree
Niclas Granqvist	Polar
Joel Linsky	Qualcomm Atheros
Brian A. Redding	Qualcomm Atheros
Jean-Philippe Lambert	RivieraWaves
Rasmus Abildgren	Samsung Electronics
Jason Hillyard	Wicentric

Version 4.0

Xavier Boniface	Alpwise
Alexandre Gimard	Alpwise
Ash Kapur	Broadcom
Robert Hulvey	Broadcom
Joe Decuir	CSR
Laurence Jupp	CSR
Magnus Sommansson	CSR
Robin Heydon	CSR
Dave Suvak	iAnywhere
James Dent	Nokia
James Steele	Nokia
Jonathan Tanner	Nokia
Kanji Kerai	Nokia

Version History and Acknowledgments



Miika Laaksonen	Nokia
Steve Davies	Nokia
Tim Howes	Nokia
David Lopes	Nordic Semiconductor
Brian A. Redding	Qualcomm
Joel Linsky	Qualcomm
Terry Bourk	Qualcomm
Andy Estrada	Sony
Karl Torvmark	Texas Instruments

Version 3.0 + HS

Victor Zhodzishsky	Broadcom
Angel Polo	Broadcom
Ash Kapur	Broadcom
Robert Hulvey	Broadcom
Ken Steck	CSR
Dave Suvak	iAnywhere
Yao Wang	IVT
Jacques Chassot	Logitech
Nathan Sherman	Microsoft
Sandy Spinrad	Microsoft
Doug Clarke	Nokia
Kanji Kerai	Nokia
Ana Donezar Ibanez	Parrot
Joel Linksy	Qualcomm
Andy Estrada	Sony
Dominique Everaere	ST-NXP Wireless

Version 2.1 + EDR

Ayse Findikli	Atheros
Robert Hulvey	Broadcom
Shawn Ding	Broadcom
Robin Heydon	CSR
Simon Kingston	CSR
Steven Singer	CSR
Steven Wenham	CSR
Selim Aissi	Intel
Penny Chen	Intel
Dave Suvak	iAnywhere
Josh Benaloh	Microsoft
Andy Glass	Microsoft
Peter Hauser	Microsoft
Joby Lafky	Microsoft
Kristin Lauter	Microsoft
Dan Simon	Microsoft

Version History and Acknowledgments

Don Stanwyck	Microsoft
Yacov Yacobi	Microsoft
Gideon Yuval	Microsoft
Greg Muchnik	Microsoft
N Asokan	Nokia
Philip Ginzboorg	Nokia
Kanji Kerai	Nokia
Noel Lobo	Nokia
Kaisa Nyberg	Nokia
Dominique Everaere	NXP
Javier del Prado Pavon	NXP
Reinhard Meindl	NXP
Joel Linsky	QUALCOMM
Terry Bourk	QUALCOMM
Tim Howes	Symbian
Jorgen van Parijs	ST
Amihai Kidron	Texas Instruments
Shimojo Yoshimitsu	Toshiba

Version 1.2

Tom Siep	Bluetooth SIG Inc.
Carsten Andersen (section owner)	CSR
Jennifer Bray	CSR
Jan Åberg	Ericsson
Martin van der Zee	Ericsson
Sam Ravnborg	Ericsson
Stefan Agnani	Ericsson
Steve McGowan	Intel Corporation
Joby Lafky	Microsoft
Doron Holan	Microsoft
Andy Glass	Microsoft
Brian A. Redding	Motorola
Jürgen Schnitzler	Nokia
Thomas Müller	Nokia
Rob Davies	Philips
Terry Bourk	Silicon Wave
Michael Hasling	Tality

Previous versions

Jon Burgess	3Com Corporation
Paul Moran	3Com Corporation
Doug Kogan	Extended Systems
Kevin D. Marquess	Hyper Corporation
Toru Aihara	IBM Corporation
Chatschik Bisdikian	IBM Corporation

Version History and Acknowledgments

Kris Fleming	Intel Corporation
Uma Gadamsetty	Intel Corporation
Robert Hunter	Intel Corporation
Jon Inouye	Intel Corporation
Steve C. Lo	Intel Corporation
Chunrong Zhu	Intel Corporation
Sergey Solyanik	Microsoft Corporation
David E. Cypher	NIST
Nada Golmie	NIST
Thomas Busse	Nokia Corporation
Rauno Makinen	Nokia Corporation
Thomas Müller	Nokia Corporation
Petri Nykänen	Nokia Corporation
Peter Ollikainen	Nokia Corporation
Petri O. Nurminen	Nokia Corporation
Johannes Elg	Telefonaktiebolaget LM Ericsson
Jaap Haartsen	Telefonaktiebolaget LM Ericsson
Elco Nijboer	Telefonaktiebolaget LM Ericsson
Ingemar Nilsson	Telefonaktiebolaget LM Ericsson
Stefan Runesson	Telefonaktiebolaget LM Ericsson
Gerrit Slot	Telefonaktiebolaget LM Ericsson
Johan Sörensen	Telefonaktiebolaget LM Ericsson
Goran Svennarp	Telefonaktiebolaget LM Ericsson
Mary A. DuVal	Texas Instruments
Thomas M. Siep	Texas Instruments
Kinoshita Katsuhiko	Toshiba Corporation

2.4.2 Part B: Service Discovery Protocol (SDP)*Version 4.1*

Joakim Linde	Apple
Robert Hulvey	Broadcom
Angel Polo	Broadcom
Mayank Batra	CSR
Tim Howes	CSR
Jonathan Tanner	CSR
Magnus Eriksson	Intel
Krishna Singala	Mindtree
Niclas Granqvist	Polar
Joel Linsky	Qualcomm Atheros
Brian A. Redding	Qualcomm Atheros
Rasmus Abildgren	Samsung Electronics

Version History and Acknowledgments*Version 2.1 + EDR*

Robin Heydon	CSR
Mattias Edlund	Infineon
Päivi Ruuska	Nokia
Arto Palin	Nokia
Joel Linsky	QUALCOMM
Terry Bourk	QUALCOMM
Amihai Kidron	Texas Instruments
Shimojo Yoshimitsu	Toshiba

Previous versions

Ned Plasson	3Com Corporation
John Avery	Convergence
Jason Kronz	Convergence
Chatschik Bisdikian	IBM Corporation
Parviz Kermani	IBM Corporation
Brent Miller	IBM Corporation
Dick Osterman	IBM Corporation
Bob Pascoe	IBM Corporation
Jon Inouye	Intel Corporation
Srikanth Kambhatla	Intel Corporation
Jay Eaglstun	Motorola, Inc.
Dale Farnsworth (section owner)	Motorola, Inc.
Jean-Michel Rosso	Motorola, Inc.
Jan Grönholm	Nokia Corporation
Kati Rantala	Nokia Corporation
Thomas Müller	Nokia Corporation
Johannes Elg	Telefonaktiebolaget LM Ericsson
Kazuaki Iwamura	Toshiba Corporation

2.4.3 Part C: Generic Access Profile*Version 5.1*

Siegfried Lehmann	Apple Inc.
Shawn Ding	Broadcom Corporation
Julien Gros	Dialog Semiconductor B.V.
Nick Hunn	GN Hearing A/S
Jakub Pawlowski	Google Inc.
Luiz Von Dentz	Intel Corporation
Marcel Holtmann	Intel Corporation
Frank Berntsen	Nordic Semiconductor ASA
Sandeep Choudhary	Nordic Semiconductor ASA
Scott Walsh	Plantronics Inc.
Mayank Batra	Qualcomm Technologies International, Ltd.

Version History and Acknowledgments

Robin Heydon	Qualcomm Technologies International, Ltd.
Brian A. Redding	Qualcomm Technologies, Inc.
Joel Linsky	Qualcomm Technologies, Inc.
Vivien-Thom Leng	RivieraWaves
Clive D.W. Feather	Samsung Electronics Co., Ltd.
Rasmus Abildgren	Samsung Electronics Co., Ltd.
Szymon Slupik	Silvair, Inc.
Jeff Solum	Starkey Hearing Technologies
Khaled Elsayed	Synopsys, Inc.
Latifa Ali	Synopsys, Inc.
Florian Lefeuvre	Texas Instruments Incorporated
Kanji Kerai	Widex A/S
Michael Ungstrup	Widex A/S

Version 5.0

Robert Hulvey	Broadcom
Angel Polo	Broadcom
Harish Balasubramaniam	Intel
Marcel Holtmann	Intel
Tim Wei	IVT Wireless
L.C. Ko	MediaTek
Sam Geeraerts	NXP
Chris Deck	ON Semiconductor
Bjarne Klemmensen	Oticon A/S
Amre El-Hoiydi	Phonak Communications AG
Till Schmalmack	Phonak Communications AG
Mayank Batra	Qualcomm Technologies, Inc.
Robin Heydon	Qualcomm Technologies, Inc.
Joel Linsky	Qualcomm Technologies, Inc.
Brian A. Redding	Qualcomm Technologies, Inc.
Laurence Richardson	Qualcomm Technologies, Inc.
Jonathan Tanner	Qualcomm Technologies, Inc.
Jean-Philippe Lambert	RivieraWaves
Rasmus Abildgren	Samsung Electronics Co., Ltd.
Clive D.W. Feather	Samsung Electronics Co., Ltd.
Michael Knudsen	Samsung Electronics Co., Ltd.
Jeff Solum	Starkey Hearing Technologies
Florian Lefeuvre	Texas Instruments
Michael Ungstrup	Widex A/S

Version History and Acknowledgments*Version 4.2*

Sriram Hariharan	Apple
Angel Polo	Broadcom
Mayank Batra	CSR
Joe Decuir	CSR
Giriraj Goyal	CSR
Robin Heydon	CSR
Jonathan Tanner	CSR
Harish Balasubramaniam	Intel
Marcel Holtmann	Intel
Yao Wang	IVT Corporation
Frank Berntsen	Nordic Semiconductor
David Engelen-Lopes	Nordic Semiconductor
Rasmus Abildgren	Samsung Electronics
Joel Linsky	Qualcomm Atheros
Brian A. Redding	Qualcomm Atheros
Jason Hillyard	Wicentric

Version 4.1

John Padgette	Accenture
Joakim Linde	Apple
Prasanna Desai	Broadcom
Farooq Hameed	Broadcom
Robert Hulvey	Broadcom
Angel Polo	Broadcom
Erik Rivard	Broadcom
Mayank Batra	CSR
Joe Decuir	CSR
Giriraj Goyal	CSR
Tim Howes	CSR
Ian Jones	CSR
Sean Mitchell	CSR
Krishnan Nair	CSR
Ross O'Connor	CSR
Steven Singer	CSR
Dishant Srivastava	CSR
Neil Stewart	CSR
Jonathan Tanner	CSR
Steven Wenham	CSR
Harish Balasubramaniam	Intel
Magnus Eriksson	Intel
Oren Haggai	Intel
Marcel Holtmann	Intel
Robert D. Hughes	Intel
Josselin De La Broise	Marvell

Version History and Acknowledgments

Huanchun Ye	MediaTek
Alain Michaud	Microsoft
Krishna Singala	Mindtree
Lily Chen	NIST
Steve Davies	Nokia
Kaisa Nyberg	Nokia
David Engelen-Lopes	Nordic Semiconductor
Tsuyoshi Okada	Panasonic Corporation
Niclas Granqvist	Polar
Joel Linsky	Qualcomm Atheros
Cameron McDonald	Qualcomm Atheros
Brian A. Redding	Qualcomm Atheros
Jean-Philippe Lambert	RivieraWaves
Rasmus Abildgren	Samsung Electronics
Clive D.W. Feather	Samsung Electronics
Kyong-Sok Seo	Samsung Electronics Co. Ltd
Andrew Estrada	Sony Corporation
Masahiko Seki	Sony Corporation
Abelardo Gonzales	ST
Alon Cheifetz	Texas Instruments
Alon Paycher	Texas Instruments
Jason Hillyard	Wicentric
Rod Kimmell	X6D, Inc.

Version 4.0

Alexandre Gimard	Alpwise
Xavier Boniface	Alpwise
Mike Tsai	Atheros
John Padgette	Booz Allen Hamilton
Ash Kapur	Broadcom
Norbert Grunert	Broadcom
Robert Hulvey	Broadcom
Shawn Ding	Broadcom
Burch Seymour	Continental Automotive
Joe Decuir	CSR
Magnus Sommansson	CSR
Nick Hunn	CSR
Robin Heydon	CSR
Steven Wenham	CSR
David Suvak	iAnywhere
Chiu-Mien Chi	ISSC
Anindya Bakshi	MindTree
Ashok Kelur	MindTree
John Barr	Motorola
Michael Russell	Motorola

Version History and Acknowledgments

James Dent	Nokia
James Steele	Nokia
Jonathan Tanner	Nokia
Kanji Kerai	Nokia
Miika Laaksonen	Nokia
Steve Davies	Nokia
Tim Howes	Nokia
David Lopes	Nordic Semiconductor
Brian A. Redding	Qualcomm
Joel Linsky	Qualcomm
Terry Bourk	Qualcomm
Harsha Master	Sasken
Len Ott	Socket Mobile
Frédéric Viro	ST Ericsson
Geert Sonck	ST Ericsson
Pär-Gunnar Hjalmdahl	ST Ericsson
Aaron Atlas	Texas Instruments

Version 3.0 + HS

Robert Hulvey	Broadcom
Ken Steck	CSR
Jacques Chassot	Logitech
Nathan Sherman	Microsoft
Sandy Spinrad	Microsoft
Kanji Kerai	Nokia
Joel Linksy	Qualcomm
Andy Estrada	Sony

Version 2.1 + EDR

Robin Heydon	CSR
Mattias Edlund	Infineon
Päivi Ruuska	Nokia
Arto Palin	Nokia
Joel Linsky	QUALCOMM
Terry Bourk	QUALCOMM
Shimojo Yoshimitsu	Toshiba

Version 1.2

Jennifer Bray	CSR
Alexander Thoukydides	CSR
Christian Gehrman	Ericsson
Henrik Hedlund	Ericsson
Jan Åberg	Ericsson
Stefan Agnani	Ericsson
Thomas Müller	Nokia

Version History and Acknowledgments



Joel Linsky	Silicon Wave
Terry Bourk	Silicon Wave
Katsuhiro Kinoshita	Toshiba

Previous versions

Ken Morley	3Com Corporation
Chatschik Bisdikian	IBM Corporation
Jon Inouye	Intel Corporation
Brian A. Redding	Motorola, Inc.
David E. Cypher	NIST
Stephane Bouet	Nokia Corporation
Thomas Müller	Nokia Corporation
Martin Roter	Nokia Corporation
Johannes Elg	Telefonaktiebolaget LM Ericsson
Patric Lind (section owner)	Telefonaktiebolaget LM Ericsson
Erik Slotboom	Telefonaktiebolaget LM Ericsson
Johan Sörensen	Telefonaktiebolaget LM Ericsson

2.4.4 Part D: Test Support

Version 3.0 + HS

Phil Hough	Anritsu
Edward Harrison	Anritsu
Angus Robinson	Anritsu
Kevin Hayes	Atheros
Stratos Chatzikyriakos	Artimi
Shawn Ding	Broadcom
Robert Hulvey	Broadcom
Yao Wang	IVT
Joe Decuir	CSR
Mark Braun	Motorola
Joel Linsky	Qualcomm
Eran Reuveni	TI

Version 1.2

Emilio Mira Escartis	Cetecom
Robin Heydon	CSR
Jennifer Bray	CSR
Stefan Agnani (section owner)	Ericsson
Terry Bourk	Silicon Wave
Joel Linsky	Silicon Wave
Michael Hasling	Tality



Previous versions [Test Mode]

Jeffrey Schiffer	Intel Corporation
David E. Cypher	NIST
Daniel Bencak	Nokia Corporation
Arno Kefenbaum	Nokia Corporation
Thomas Müller (section owner)	Nokia Corporation
Roland Schmale	Nokia Corporation
Fujio Watanabe	Nokia Corporation
Stefan Agnani	Telefonaktiebolaget LM Ericsson
Mårten Mattsson	Telefonaktiebolaget LM Ericsson
Tobias Melin	Telefonaktiebolaget LM Ericsson
Lars Nord	Telefonaktiebolaget LM Ericsson
Fredrik Töörn	Telefonaktiebolaget LM Ericsson
John Mersh	TTPCom
Ayse Findikli	Zeevo, Inc.

Previous versions [Test Control Interface]

Mike Feldman	Motorola, Inc.
Thomas Müller	Nokia Corporation
Stefan Agnani (section owner)	Telefonaktiebolaget LM Ericsson
Mårten Mattsson	Telefonaktiebolaget LM Ericsson
Dan Sönnnerstam	Telefonaktiebolaget LM Ericsson

2.4.5 Part E: AMP Manager Protocol

Version 3.0 + HS

Kevin Hayes	Atheros
Robert Hulvey	Broadcom
Dave Suvak	iAnywhere
Yao Wang	IVT
Doug Clark	Nokia
Kaisa Nyberg	Nokia
James Steele	Nokia
Joel Linsky	Qualcomm
John Saad	Qualcomm

2.4.6 Part F: Attribute Protocol Specification

Version 5.1

Siegfried Lehmann	Apple Inc.
Jakub Pawlowski	Google Inc.
Luiz Von Dentz	Intel Corporation
Marcel Holtmann	Intel Corporation
Sandeep Choudhary	Nordic Semiconductor ASA

Version History and Acknowledgments

Scott Walsh	Plantronics Inc.
Mayank Batra	Qualcomm Technologies International, Ltd.
Robin Heydon	Qualcomm Technologies International, Ltd.
Joel Linsky	Qualcomm Technologies, Inc.
Clive D.W. Feather	Samsung Electronics Co., Ltd.
Florian Lefeuvre	Texas Instruments Incorporated
Michael Ungstrup	Widex A/S

Version 4.1

Joakim Linde	Apple
Robert Hulvey	Broadcom
Angel Polo	Broadcom
Mayank Batra	CSR
Tim Howes	CSR
Jonathan Tanner	CSR
Magnus Eriksson	Intel
Krishna Singala	Mindtree
Niclas Granqvist	Polar
Joel Linsky	Qualcomm Atheros
Brian A. Redding	Qualcomm Atheros
Rasmus Abildgren	Samsung Electronics

Version 4.0

Alexandre Gimard	Alpwise
Xavier Boniface	Alpwise
Ash Kapur	Broadcom
Norbert Grunert	Broadcom
Srikanth Uppala	Broadcom
Burch Seymour	Continental Automotive
Joe Decuir	CSR
Magnus Sommansson	CSR
Nick Hunn	CSR
Robin Heydon	CSR
Morgan Lindqvist	Ericsson
Dave Suvak	iAnywhere
Chris Hansen	Intel
Marcel Holtmann	Intel
Anindya Bakshi	MindTree
John Barr	Motorola
Daidi Zhong	Nokia
James Dent	Nokia
James Steele	Nokia
Jonathan Tanner	Nokia
Juha Salokannel	Nokia

Version History and Acknowledgments



Kanji Kerai	Nokia
Miika Laaksonen	Nokia
Päivi Ruuska	Nokia
Steve Davies	Nokia
Tim Howes	Nokia
David Lopes	Nordic Semiconductor
Niclas Granqvist	Polar
Brian A. Redding	Qualcomm
Joel Linsky	Qualcomm
Terry Bourk	Qualcomm
Harsha Master	Sasken
Len Ott	Socket Mobile
Pär-Gunnar Hjälmdahl	ST Ericsson
Aaron Atlas	Texas Instruments

2.4.7 Part G: Generic Attribute Profile Specification

Version 5.1

Siegfried Lehmann	Apple Inc.
Jakub Pawlowski	Google Inc.
Luiz Von Dentz	Intel Corporation
Marcel Holtmann	Intel Corporation
Sandeep Choudhary	Nordic Semiconductor ASA
Scott Walsh	Plantronics Inc.
Mayank Batra	Qualcomm Technologies International, Ltd.
Robin Heydon	Qualcomm Technologies International, Ltd.
Joel Linsky	Qualcomm Technologies, Inc.
Clive D.W. Feather	Samsung Electronics Co., Ltd.
Florian Lefeuvre	Texas Instruments Incorporated
Michael Ungstrup	Widex A/S

Version 4.1

Joakim Linde	Apple
Robert Hulvey	Broadcom
Angel Polo	Broadcom
Mayank Batra	CSR
Tim Howes	CSR
Jonathan Tanner	CSR
Magnus Eriksson	Intel
Oren Haggai	Intel
Krishna Singala	Mindtree
Niclas Granqvist	Polar
Joel Linsky	Qualcomm Atheros

Version History and Acknowledgments



Brian A. Redding	Qualcomm Atheros
Rasmus Abildgren	Samsung Electronics

Version 4.0

Alexandre Gimard	Alpwise
Xavier Boniface	Alpwise
Ash Kapur	Broadcom
Norbert Grunert	Broadcom
Srikanth Uppala	Broadcom
Mats Andersson	connectBlue
Burch Seymour	Continental Automotive
Joe Decuir	CSR
Laurence Jupp	CSR
Magnus Sommansson	CSR
Nick Hunn	CSR
Robin Heydon	CSR
Dave Suvak	iAnywhere
Marcel Holtmann	Intel
Anindya Bakshi	MindTree
Krishna Shingala	MindTree
Daidi Zhong	Nokia
James Dent	Nokia
James Steele	Nokia
Jonathan Tanner	Nokia
Juha Salokannel	Nokia
Kanji Kerai	Nokia
Miika Laaksonen	Nokia
Päivi Ruuska	Nokia
Steve Davies	Nokia
Tim Howes	Nokia
David Lopes	Nordic Semiconductor
Sebastien Mackaie-Blanchi	Nordic Semiconductor
Niclas Granqvist	Polar
Brian A. Redding	Qualcomm
Joel Linksy	Qualcomm
Terry Bourk	Qualcomm
Pär-Gunnar Hjalmdahl	ST Ericsson
Aaron Atlas	Texas Instruments

2.4.8 Part H: Security Manager Specification

Version 5.0

Johan Hedberg	Intel
Marcel Holtmann	Intel
Joel Linksy	Qualcomm Technologies, Inc.

Version History and Acknowledgments*Version 4.2*

Sriram Hariharan	Apple
Angel Polo	Broadcom
Mayank Batra	CSR
Joe Decuir	CSR
Giriraj Goyal	CSR
Robin Heydon	CSR
Jonathan Tanner	CSR
Harish Balasubramaniam	Intel
Marcel Holtmann	Intel
Yao Wang	IVT Corporation
Frank Berntsen	Nordic Semiconductor
David Engelen-Lopes	Nordic Semiconductor
Rasmus Abildgren	Samsung Electronics
Joel Linsky	Qualcomm Atheros
Brian A. Redding	Qualcomm Atheros
Jason Hillyard	Wicentric

Version 4.0

Alexandre Gimard	Alpwise
Mike Tsai	Atheros
John Padgette	Booz Allen Hamilton
Chaojing Sun	Broadcom
Norbert Grunert	Broadcom
Prasanna Desai	Broadcom
Robert Hulvey	Broadcom
Hermann Suominen	CSR
Laurence Jupp	CSR
Magnus Sommansson	CSR
Robin Heydon	CSR
Steven Wenham	CSR
Patrick Reinelt	Frontline
Chiu-Mien Chi	ISSC
Anindya Bakshi	MindTree
Ashok Kelur	MindTree
Michael Russell	Motorola
James Dent	Nokia
James Steele	Nokia
Jonathan Tanner	Nokia
Kanji Kerai	Nokia
Miika Laaksonen	Nokia
Noel Lobo	Nokia
Steve Davies	Nokia



Tim Howes	Nokia
David Lopes	Nordic Semiconductor
Brian A. Redding	Qualcomm
Joel Linsky	Qualcomm
Terry Bourk	Qualcomm
Christian Zechlin	Sasken
Frédéric Viro	ST Ericsson
Geert Sonck	ST Ericsson
Alon Paycher	Texas Instruments
Helge Coward	Texas Instruments

2.5 [VOL 4] HOST CONTROLLER INTERFACE

2.5.1 Parts A to D: Transport Layers

Toru Aihara	IBM Corporation
Edgar Kerstan	IBM Corporation
Nathan Lee	IBM Corporation
Kris Fleming	Intel Corporation
Robert Hunter	Intel Corporation
Patrick Kane	Motorola, Inc.
Uwe Gondrum	Nokia Corporation
Thomas Müller	Nokia Corporation
Christian Zechlin	Nokia Corporation
Johannes Elg	Telefonaktiebolaget LM Ericsson
Sven Jerlhagen	Telefonaktiebolaget LM Ericsson
Christian Johansson	Telefonaktiebolaget LM Ericsson
Patrik Lundin	Telefonaktiebolaget LM Ericsson
Lars Novak	Telefonaktiebolaget LM Ericsson
Masahiro Tada	Toshiba Corporation
Steve Ross	Digianswer A/S
Chatschik Bisdikian	IBM Corporation
Les Cline	Intel Corporation
Brad Hosler	Intel Corporation
John Howard	Intel Corporation
Srikanth Kambhatla	Intel Corporation
Kosta Koeman	Intel Corporation
John McGrath	Intel Corporation
Patrik Lundin	Telefonaktiebolaget LM Ericsson
Leonard Ott	Socket Communications
Rebecca O'Dell	Signia Technologies
Tsuyoshi Okada	Matsushita Electric
Robert Hulvey	Broadcom
Joe Decuir	CSR
Robin Heydon	CSR

Version History and Acknowledgments



Joel Linsky	Qualcomm Atheros
Toru Aihara	IBM Corporation
Edgar Kerstan	IBM Corporation
Nathan Lee	IBM Corporation
Kris Fleming	Intel Corporation
Robert Hunter	Intel Corporation
Patrick Kane	Motorola, Inc.
Uwe Gondrum	Nokia Corporation
Thomas Müller	Nokia Corporation
Christian Zechlin	Nokia Corporation
Johannes Elg	Telefonaktiebolaget LM Ericsson
Sven Jerlhagen	Telefonaktiebolaget LM Ericsson
Christian Johansson	Telefonaktiebolaget LM Ericsson
Patrik Lundin	Telefonaktiebolaget LM Ericsson
Lars Novak	Telefonaktiebolaget LM Ericsson
Masahiro Tada	Toshiba Corporation
Steve Ross	Digianswer A/S
Chatschik Bisdikian	IBM Corporation
Les Cline	Intel Corporation
Brad Hosler	Intel Corporation
John Howard	Intel Corporation
Srikanth Kambhatla	Intel Corporation
Kosta Koeman	Intel Corporation
John McGrath	Intel Corporation
Patrik Lundin	Telefonaktiebolaget LM Ericsson
Leonard Ott	Socket Communications
Rebecca O'Dell	Signia Technologies
Tsuyoshi Okada	Matsushita Electric

2.5.2 Part E: Bluetooth Host Controller Interface Functional Specification

Version 5.1

Jason Hillyard	ARM Ltd
Stephen Coe	BlackBerry Limited
Shawn Ding	Broadcom Corporation
Angel Polo	Broadcom Corporation
Raja Banerjea	CSR
Mayank Batra	CSR
Ian Blair	CSR
Robin Heydon	CSR
Sabita Nahata	CSR
Neil Stewart	CSR
Jonathan Tanner	CSR
Robert Hulvey	Cypress Semiconductor Corporation

Version History and Acknowledgments

Julien Gros	Dialog Semiconductor B.V.
Nick Hunn	GN Hearing A/S
Harish Balasubramaniam	Intel Corporation
Marcel Holtmann	Intel Corporation
Seung R. Yang	LG Electronics Inc.
Josselin de la Broise	Marvell Technology Group Ltd
Lichun Ko	Mediatek Inc.
Shwetha Mahadik	MindTree Limited
Mayur Maheshwari	MindTree Limited
Juha Salokannel	Nokia Corporation
Jari Syrjärinne	Nokia Corporation
Jiao Xianjun	Nokia Corporation
Zhang Xin	Nokia Corporation
Daniel Ryan	Nordic Semiconductor ASA
Frank Berntsen	Nordic Semiconductor ASA
Brian A. Redding	Qualcomm Atheros
Joel Linsky	Qualcomm Atheros
Mayank Batra	Qualcomm Technologies International, Ltd.
Brian A. Redding	Qualcomm Technologies, Inc.
Joel Linsky	Qualcomm Technologies, Inc.
Daphne Liu	Realsil Microelectronics Inc
Jean-Philippe Lambert	RivieraWaves
Vivien-Thom Leng	RivieraWaves
Clive D.W. Feather	Samsung Electronics Co., Ltd.
Rasmus Abildgren	Samsung Electronics Co., Ltd.
Jeff Solum	Starkey Hearing Technologies
Iman Shawky	Synopsys, Inc.
Khaled Elsayed	Synopsys, Inc.
Latifa Ali	Synopsys, Inc.
Florian Lefeuvre	Texas Instruments Incorporated
Tomas Motos Lopez	Texas Instruments Incorporated
Szymon Janc	Tieto Poland Sp.z.o.o.
Kanji Kerai	Widex A/S
Michael Ungstrup	Widex A/S

Version 5.0

Edward Harrison	Anritsu
Phil Hough	Anritsu
Shawn Ding	Broadcom
Steven Hall	Broadcom
Robert Hulvey	Broadcom
Knut Odman	Broadcom

Version History and Acknowledgments



Angel Polo	Broadcom
Huanchun Ye	Broadcom
Burch Seymour	Continental Automotive
Raja Banerjea	CSR
Sandipan Kundu	CSR
Dishant Srivastava	CSR
Harish Balasubramaniam	Intel
Marcel Holtmann	Intel
Tim Wei	IVT Wireless
Josselin de la Broise	Marvell
Yi-Ling Chao	Marvell
KC Chou	MediaTek
L.C. Ko	MediaTek
James Wang	MediaTek
Thomas Varghese	Mindtree
Phil Corbishley	Nordic Semiconductor ASA
David Engelen-Lopes	Nordic Semiconductor ASA
Eivind Sjøgren Olsen	Nordic Semiconductor ASA
Sam Geeraerts	NXP
Chris Deck	ON Semiconductor
Bjarne Klemmensen	Oticon A/S
Amre El-Hoiydi	Phonak Communications AG
Till Schmalmack	Phonak Communications AG
Niclas Granqvist	Polar
RaviKiran Gopalan	Qualcomm Atheros
Mayank Batra	Qualcomm Technologies, Inc.
Robin Heydon	Qualcomm Technologies, Inc.
Joel Linsky	Qualcomm Technologies, Inc.
Brian A. Redding	Qualcomm Technologies, Inc.
Laurence Richardson	Qualcomm Technologies, Inc.
Jonathan Tanner	Qualcomm Technologies, Inc.
Jean-Philippe Lambert	RivieraWaves
Rasmus Abildgren	Samsung Electronics Co., Ltd.
Clive D.W. Feather	Samsung Electronics Co., Ltd.
Michael Knudsen	Samsung Electronics Co., Ltd.
Jeff Solum	Starkey Hearing Technologies
Florian Lefeuvre	Texas Instruments
Tomás Motos López	Texas Instruments
Anthony Viscardi	Texas Instruments
Michael Ungstrup	Widex A/S

Version History and Acknowledgments*Version 4.2*

Edward Harrison	Anritsu
Phil Hough	Anritsu
Sriram Hariharan	Apple
Angel Polo	Broadcom
Mayank Batra	CSR
Joe Decuir	CSR
Giriraj Goyal	CSR
Robin Heydon	CSR
Jonathan Tanner	CSR
Harish Balasubramaniam	Intel
Magnus Eriksson	Intel
Marcel Holtmann	Intel
Yao Wang	IVT Corporation
Frank Berntsen	Nordic Semiconductor
David Engelen-Lopes	Nordic Semiconductor
Rasmus Abildgren	Samsung Electronics
Clive D.W. Feather	Samsung Electronics
Ed Callaway	Sunrise Micro Devices
Joel Linsky	Qualcomm Atheros
Brian A. Redding	Qualcomm Atheros
Jean-Philippe Lambert	RivieraWaves
Jason Hillyard	Wicentric

Version 4.1

John Padgette	Accenture
Joakim Linde	Apple
Prasanna Desai	Broadcom
Shawn Ding	Broadcom
Steven Hall	Broadcom
Farooq Hameed	Broadcom
Robert Hulvey	Broadcom
Knut Odman	Broadcom
Angel Polo	Broadcom
Erik Rivard	Broadcom
Mayank Batra	CSR
Joe Decuir	CSR
Giriraj Goyal	CSR
Robin Heydon	CSR
Tim Howes	CSR
Ian Jones	CSR
Sean Mitchell	CSR
Ross O'Connor	CSR
Steven Singer	CSR
Dishant Srivastava	CSR

Version History and Acknowledgments



Neil Stewart	CSR
Jonathan Tanner	CSR
Steven Wenham	CSR
Leif Wilhelmsson	Ericsson
Harish Balasubramaniam	Intel
Magnus Eriksson	Intel
Oren Haggai	Intel
Marcel Holtmann	Intel
Sharon Yang	Intel
Yao Wang	IVT Corporation
Josselin de la Broise	Marvell
L. C. Ko	MediaTek
Huanchun Ye	MediaTek
Rajan S Pallathu	MindTree Ltd.
Krishna Singala	Mindtree
Lily Chen	NIST
Kaisa Nyberg	Nokia
David Engelen-Lopes	Nordic Semiconductor
Tsuyoshi Okada	Panasonic Corporation
Niclas Granqvist	Polar
Olaf Hirsch	Qualcomm Atheros
Joel Linsky	Qualcomm Atheros
Cameron McDonald	Qualcomm
Brian A. Redding	Qualcomm Atheros
Jean-Phillippe Lambert	RivieraWaves
Rasmus Abildgren	Samsung Electronics
Clive D.W. Feather	Samsung Electronics
Kyong-Sok Seo	Samsung Electronics Co. Ltd
Len Ott	Socket Mobile
Andrew Estrada	Sony Corporation
Masahiko Seki	Sony Corporation
Jorgen van Parijs	ST Ericsson
Yves Wernaers	ST-Ericsson
Alon Cheifetz	Texas Instruments
Alon Paycher	Texas Instruments
Anthony Viscardi	Texas Instruments
Jason Hillyard	Wicentric
Rod Kimmell	X6D, Inc.

Version 4.0

Edward Harrison	Anritsu
Kevin Hayes	Atheros
Joe Decuir	CSR
Robin Heydon	CSR
Steven Wenham	CSR

Version History and Acknowledgments



Magnus Eriksson	Infineon
James Dent	Nokia
James Steele	Nokia
Jonathan Tanner	Nokia
Steve Davies	Nokia
Brian A. Redding	Qualcomm
Joel Linsky	Qualcomm
Terry Bourk	Qualcomm
Len Ott	Socket Mobile
Geert Sonck	ST Ericsson
Aaron Atlas	Texas Instruments
Anthony Viscardi	Texas Instruments

Version 3.0 + HS

Phil Hough	Anritsu
Kevin Hayes	Atheros
Stratos Chatzikiyiakos	Artimi
Angel Polo	Broadcom
Shawn Ding	Broadcom
Victor Zhodzishsky	Broadcom
Joe Decuir	CSR
David Suvak	iAnywhere
Dominique Everaere	ST-NXP Wireless
Yao Wang	IVT
Koen Derom	NXP Semiconductors
Ana Donezar Ibanez	Parrot
Joel Linsky	Qualcomm
John Hillan	Qualcomm
Krishnan Rajamani	Qualcomm
Mayank Sharma	SiRF
Jason Hillyard	Staccato Communications
William Stoye	Staccato Communications
Doug Clark	Symbian

Version 2.1 + EDR

Ayse Findikli	Atheros
Robert Hulvey	Broadcom
Shawn Ding	Broadcom
Henrik Hedlund	CSR
Robin Heydon	CSR
Simon Kingston	CSR
Steven Singer	CSR
Steven Wenham	CSR
Paul Wright	CSR
Mattias Edlund	Infineon

Version History and Acknowledgments



David Suvak	iAnywhere
Selim Aissi	Intel
Penny Chen	Intel
Josh Benaloh	Microsoft
Andy Glass	Microsoft
Peter Hauser	Microsoft
Joby Lafky	Microsoft
Kristin Lauter	Microsoft
Dan Simon	Microsoft
Don Stanwyck	Microsoft
Yacov Yacobi	Microsoft
Gideon Yuval	Microsoft
Greg Muchnik	Motorola
N Asokan	Nokia
Philip Ginzboorg	Nokia
Kanji Kerai	Nokia
Noel Lobo	Nokia
Kaisa Nyberg	Nokia
Arto Palin	Nokia
Päivi Ruuska	Nokia
Dominique Everaere	NXP
Javier del Prado Pavon	NXP
Reinhard Meindl	NXP
Joel Linsky	Qualcomm
Terry Bourk	Qualcomm
Tim Howes	Symbian
Jorgen van Parijs	ST
Guido Bertoni	ST
Amihai Kidron	Texas Instruments
Eran Reuveni	Texas Instruments
Shimojo Yoshimitsu	Toshiba

Version 2.0 + EDR

Neil Stewart	Tality UK, Ltd.
Joel Linsky	RF Micro Devices
Robin Heydon	CSR

Version 1.2

Robin Heydon (section owner)	CSR
Jennifer Bray	CSR
Alexander Thoukydides	CSR
Knud Dyring-Olsen	Digianswer/Motorola
Henrik Andersen	Digianswer/Motorola
Jan Åberg	Ericsson
Martin van der Zee	Ericsson

Version History and Acknowledgments

Don Liechty	Extended Systems
Kevin Marquess	Hyper Corp
Roland Hellfajer	Infineon
YC Maa	Integrated Programmable Communications, Inc.
Steve McGowan	Intel
Tod Sizer	Lucent Technologies
Tsuyoshi Okada	Matsushita Electric Industrial Co. Ltd
Andy Glass	Microsoft
Adrian Stephens	Mobilian
Jürgen Schnitzler	Nokia
Thomas Müller	Nokia
Rene Tischer	Nokia
Rob Davies	Philips
Antonio Salloum	Philips
Joel Linsky	Silicon Wave
Terry Bourk	Silicon Wave
Len Ott	Socket Communications
Randy Erman	Taiyo Yuden
Yoshimitsu Shimojo	Toshiba
Toshiki Kizu	Toshiba
Katsuhiro Kinoshita	Toshiba
Sam Turner	TTPCom
John Mersh	TTPCom

Previous versions

Todor Cooklev	3Com Corporation
Toru Aihara	IBM Corporation
Chatschik Bisdikian	IBM Corporation
Nathan Lee	IBM Corporation
Akihiko Mizutani	IBM Corporation
Les Cline	Intel Corporation
Bailey Cross	Intel Corporation
Kris Fleming	Intel Corporation
Robert Hunter	Intel Corporation
Jon Inouye	Intel Corporation
Srikanth Kambhatla	Intel Corporation
Steve Lo	Intel Corporation
Vijay Suthar	Intel Corporation
Bruce P. Kraemer	Intersil
Greg Muchnik	Motorola, Inc.
David E. Cypher	NIST
Thomas Busse	Nokia Corporation
Julien Courthial	Nokia Corporation
Thomas Müller	Nokia Corporation
Dong Nguyen	Nokia Corporation

Version History and Acknowledgments

Jürgen Schnitzler	Nokia Corporation
Fujio Watanabe	Nokia Corporation
Christian Zechlin	Nokia Corporation
Johannes Elg	Telefonaktiebolaget LM Ericsson
Christian Johansson (section owner)	Telefonaktiebolaget LM Ericsson
Patrik Lundin	Telefonaktiebolaget LM Ericsson
Tobias Melin	Telefonaktiebolaget LM Ericsson
Mary A. DuVal	Texas Instruments
Thomas M. Siep	Texas Instruments
Masahiro Tada	Toshiba Corporation
John Mersh	TTPCom

2.6 [VOL 5] AMP CONTROLLER

2.6.1 Part A: 802.11 PAL

Version 4.1

Kevin Hayes	Atheros
Raymond Hayes	Broadcom
Francoise Bannister	CSR
Nick Jackson	CSR
Shailendra Govardhan	Marvell
Joel Linsky	Qualcomm

Version 3.0 +HS

Angus Robinson	Anritsu
Edward Harrison	Anritsu
Phil Hough	Anritsu
Stratos Chatzikyriakos	Artimi
Kevin Hayes	Atheros
Prerepa Viswanadham	Atheros
Chris Hansen	Broadcom
Raymond Hayes	Broadcom
Joe Decuir	CSR
Nick Jackson	CSR
David Suvak	iAnywhere
Ganesh Venkatesan	Intel
Quinton Yuan	Marvell
Raja Banerjea	Marvell
John Barr	Motorola
Janne Marin	Nokia
Mika Kasslin	Nokia
Joel Linsky	Qualcomm
Krishnan Rajamani	Qualcomm
Terry Bourk	Qualcomm



Ignacio Gimeno	ST-NXP Wireless
William Stoye	Staccato Communications
Amir Yassur	TI
Yossi Peery	TI

2.7 [VOL 6] LOW ENERGY CONTROLLER

2.7.1 Part A: Physical Layer Specification

Version 5.1

Jason Hillyard	ARM Ltd
Stephen Coe	BlackBerry Limited
Angel Polo	Broadcom Corporation
Raja Banerjea	CSR
Mayank Batra	CSR
Ian Blair	CSR
Robin Heydon	CSR
Sabita Nahata	CSR
Neil Stewart	CSR
Jonathan Tanner	CSR
Robert Hulvey	Cypress Semiconductor Corporation
Harish Balasubramaniam	Intel Corporation
Marcel Holtmann	Intel Corporation
Seung R. Yang	LG Electronics Inc.
Josselin de la Broise	Marvell Technology Group Ltd
Lichun Ko	Mediatek Inc.
Shwetha Mahadik	MindTree Limited
Juha Salokannel	Nokia Corporation
Jari Syrjärinne	Nokia Corporation
Jiao Xianjun	Nokia Corporation
Zhang Xin	Nokia Corporation
Daniel Ryan	Nordic Semiconductor ASA
Joel Linsky	Qualcomm Atheros
Brian A. Redding	Qualcomm Atheros
Mayank Batra	Qualcomm Technologies International, Ltd.
Daphne Liu	Realsil Microelectronics Inc
Jean-Philippe Lambert	RivieraWaves
Rasmus Abildgren	Samsung Electronics Co., Ltd.
Clive D.W. Feather	Samsung Electronics Co., Ltd.
Iman Shawky	Synopsys, Inc.
Florian Lefeuvre	Texas Instruments Incorporated
Tomas Motos Lopez	Texas Instruments Incorporated

Version History and Acknowledgments*Version 5.0*

Edward Harrison	Anritsu
Phil Hough	Anritsu
Shawn Ding	Broadcom
Steven Hall	Broadcom
Angel Polo	Broadcom
Raja Banerjea	CSR
Sandipan Kundu	CSR
Dishant Srivastava	CSR
Leif Wilhelmsson	Ericsson
Yi-Ling Chao	Marvell
KC Chou	MediaTek
James Wang	MediaTek
Thomas Varghese	Mindtree
Phil Corbishley	Nordic Semiconductor ASA
David Engelen-Lopes	Nordic Semiconductor ASA
Eivind Sjøgren Olsen	Nordic Semiconductor ASA
Bjarne Klemmensen	Oticon A/S
Niclas Granqvist	Polar
RaviKiran Gopalan	Qualcomm Atheros
Mayank Batra	Qualcomm Technologies, Inc.
Robin Heydon	Qualcomm Technologies, Inc.
Joel Linsky	Qualcomm Technologies, Inc.
Jonathan Tanner	Qualcomm Technologies, Inc.
Jean-Philippe Lambert	RiveraWaves
Clive D.W. Feather	Samsung Electronics Co., Ltd.
Jeff Solum	Starkey Hearing Technologies
Florian Lefeuvre	Texas Instruments
Tomás Motos López	Texas Instruments
Anthony Viscardi	Texas Instruments
Micheal Ungstrup	Widex

Version 4.2

Edward Harrison	Anritsu
Phil Hough	Anritsu
Mayank Batra	CSR
Robin Heydon	CSR
Harish Balasubramaniam	Intel
Magnus Eriksson	Intel
Marcel Holtmann	Intel
Clive D.W. Feather	Samsung Electronics
Ed Callaway	Sunrise Micro Devices

Version History and Acknowledgments



Joel Linsky	Qualcomm Atheros
Brian A. Redding	Qualcomm Atheros
Jean-Philippe Lambert	RivieraWaves
Jason Hillyard	Wicentric

Version 4.0

Edward Harrison	Anritsu
Robert Hulvey	Broadcom
Burch Seymour	Continental Automotive
Magnus Sommansson	CSR
Robin Heydon	CSR
Steven Wenham	CSR
Henrik Arfwedson	Infineon
Jukka Reunamaki	Nokia
Mika Kasslin	Nokia
Steve Davies	Nokia
Frank Karlsen	Nordic Semiconductor
Øyvind Vedal	Nordic Semiconductor
Brian A. Redding	Qualcomm
Joel Linsky	Qualcomm
Terry Bourk	Qualcomm
Don Sturek	Texas Instruments

2.7.2 Part B: Link Layer Specification

Version 5.1

Jason Hillyard	ARM Ltd
Stephen Coe	BlackBerry Limited
Shawn Ding	Broadcom Corporation
Angel Polo	Broadcom Corporation
Raja Banerjea	CSR
Mayank Batra	CSR
Ian Blair	CSR
Robin Heydon	CSR
Sabita Nahata	CSR
Neil Stewart	CSR
Jonathan Tanner	CSR
Robert Hulvey	Cypress Semiconductor Corporation
Julien Gros	Dialog Semiconductor B.V.
Pontus Arvidson	Ericsson AB
Nick Hunn	GN Hearing A/S
Harish Balasubramaniam	Intel Corporation
Marcel Holtmann	Intel Corporation

Version History and Acknowledgments



Seung R. Yang	LG Electronics Inc.
Josselin de la Broise	Marvell Technology Group Ltd
Lichun Ko	Mediatek Inc.
Shwetha Mahadik	MindTree Limited
Juha Salokannel	Nokia Corporation
Jari Syrjärinne	Nokia Corporation
Jiao Xianjun	Nokia Corporation
Zhang Xin	Nokia Corporation
Daniel Ryan	Nordic Semiconductor ASA
Frank Berntsen	Nordic Semiconductor ASA
Sam Geeraerts	NXP Semiconductors
Brian A. Redding	Qualcomm Atheros
Joel Linsky	Qualcomm Atheros
Mayank Batra	Qualcomm Technologies International, Ltd.
Brian A. Redding	Qualcomm Technologies, Inc.
Joel Linsky	Qualcomm Technologies, Inc.
Daphne Liu	Realsil Microelectronics Inc
Jean-Philippe Lambert	RivieraWaves
Vivien-Thom Leng	RivieraWaves
Clive D.W. Feather	Samsung Electronics Co., Ltd.
Rasmus Abildgren	Samsung Electronics Co., Ltd.
Szymon Slupik	Silvair, Inc.
Jeff Solum	Starkey Hearing Technologies
Iman Shawky	Synopsys, Inc.
Khaled Elsayed	Synopsys, Inc.
Latifa Ali	Synopsys, Inc.
Tomas Motos Lopez	Texas Instruments Incorporated
Szymon Janc	Tieto Poland Sp.z.o.o.
Kanji Kerai	Widex A/S
Michael Ungstrup	Widex A/S

Version 5.0

Edward Harrison	Anritsu
Phil Hough	Anritsu
Shawn Ding	Broadcom
Steven Hall	Broadcom
Robert Hulvey	Broadcom
Knut Odman	Broadcom
Angel Polo	Broadcom
Huanchun Ye	Broadcom
Raja Banerjea	CSR
Sandipan Kundu	CSR

Version History and Acknowledgments

Dishant Srivastava	CSR
Leif Wilhelmsson	Ericsson
Harish Balasubramaniam	Intel
Marcel Holtmann	Intel
Tim Wei	IVT Wireless
Josselin de la Broise	Marvell
Yi-Ling Chao	Marvell
KC Chou	MediaTek
L.C. Ko	MediaTek
James Wang	MediaTek
Thomas Varghese	Mindtree
Phil Corbishley	Nordic Semiconductor ASA
David Engelen-Lopes	Nordic Semiconductor ASA
Eivind Sjøgren Olsen	Nordic Semiconductor ASA
Sam Geeraerts	NXP
Chris Deck	ON Semiconductor
Bjarne Klemmensen	Oticon A/S
Amre El-Hoiydi	Phonak Communications AG
Till Schmalmack	Phonak Communications AG
Niclas Granqvist	Polar
RaviKiran Gopalan	Qualcomm Atheros
Mayank Batra	Qualcomm Technologies, Inc.
Robin Heydon	Qualcomm Technologies, Inc.
Joel Linsky	Qualcomm Technologies, Inc.
Brian A. Redding	Qualcomm Technologies, Inc.
Laurence Richardson	Qualcomm Technologies, Inc.
Jonathan Tanner	Qualcomm Technologies, Inc.
Jean-Philippe Lambert	RivieraWaves
Rasmus Abildgren	Samsung Electronics Co., Ltd.
Clive D.W. Feather	Samsung Electronics Co., Ltd.
Michael Knudsen	Samsung Electronics Co., Ltd.
Jeff Solum	Starkey Hearing Technologies
Florian Lefeuvre	Texas Instruments
Tomás Motos López	Texas Instruments
Anthony Viscardi	Texas Instruments
Michael Ungstrup	Widex A/S

Version 4.2

Edward Harrison	Anritsu
Phil Hough	Anritsu
Sriram Hariharan	Apple
Angel Polo	Broadcom

Version History and Acknowledgments



Mayank Batra	CSR
Joe Decuir	CSR
Giriraj Goyal	CSR
Robin Heydon	CSR
Jonathan Tanner	CSR
Harish Balasubramaniam	Intel
Magnus Eriksson	Intel
Marcel Holtmann	Intel
Yao Wang	IVT Corporation
Frank Berntsen	Nordic Semiconductor
David Engelen-Lopes	Nordic Semiconductor
Rasmus Abildgren	Samsung Electronics
Clive D.W. Feather	Samsung Electronics
Ed Callaway	Sunrise Micro Devices
Joel Linsky	Qualcomm Atheros
Brian A. Redding	Qualcomm Atheros
Jean-Philippe Lambert	RivieraWaves
Jason Hillyard	Wicentric

Version 4.1

Angel Polo	Broadcom
Mayank Batra	CSR
Joe Decuir	CSR
Giriraj Goyal	CSR
Robin Heydon	CSR
Neil Stewart	CSR
Harish Balasubramaniam	Intel
Magnus Eriksson	Intel
Oren Haggai	Intel
Yao Wang	IVT Corporation
Rajan S Pallathu	MindTree Ltd.
David Lopes	Nordic Semiconductor
Joel Linsky	Qualcomm Atheros
Jean-Philippe Lambert	RivieraWaves
Rasmus Abildgren	Samsung Electronics
Anthony Viscardi	Texas Instruments
Jason Hillyard	Wicentric

Version 4.0

Angel Polo	Broadcom
Prasanna Desai	Broadcom
Robert Hulvey	Broadcom
Yuan Zhuang	Broadcom
Burch Seymour	Continental Automotive
Joe Decuir	CSR

Version History and Acknowledgments

Magnus Sommansson	CSR
Robin Heydon	CSR
Steven Singer	CSR
Steven Wenham	CSR
Robert Kvacek	EM Microelectronic
Henrik Arfwedson	Infineon
James Dent	Nokia
Jonathan Tanner	Nokia
Kanji Kerai	Nokia
Mika Kasslin	Nokia
Steve Davies	Nokia
Asbjørn Sæbø	Nordic Semiconductor
David Lopes	Nordic Semiconductor
Frank Karlsen	Nordic Semiconductor
Torstein Nesje	Nordic Semiconductor
Brian A. Redding	Qualcomm
Joel Linsky	Qualcomm
Terry Bourk	Qualcomm
Harsha Master	Sasken
Geert Sonck	ST Ericsson
Alon Paycher	Texas Instruments
Anthony Viscardi	Texas Instruments
Don Sturek	Texas Instruments
Helge Coward	Texas Instruments

2.7.3 Part C: Sample Data*Version 5.0*

Edward Harrison	Anritsu
Phil Hough	Anritsu
Steven Hall	Broadcom
Angel Polo	Broadcom
Raja Banerjea	CSR
Sandipan Kundu	CSR
Dishant Srivastava	CSR
Harish Balasubramaniam	Intel
Yi-Ling Chao	Marvell
KC Chou	MediaTek
James Wang	MediaTek
Phil Corbishley	Nordic Semiconductor ASA
David Engelen-Lopes	Nordic Semiconductor ASA
Eivind Sjøgren Olsen	Nordic Semiconductor ASA
Sam Geeraerts	NXP
Bjarne Klemmensen	Oticon A/S

Version History and Acknowledgments



Amre El-Hoiydi	Phonak Communications AG
Till Schmalmack	Phonak Communications AG
RaviKiran Gopalan	Qualcomm Atheros
Mayank Batra	Qualcomm Technologies, Inc.
Robin Heydon	Qualcomm Technologies, Inc.
Joel Linsky	Qualcomm Technologies, Inc.
Jonathan Tanner	Qualcomm Technologies, Inc.
Jean-Philippe Lambert	RivieraWaves
Clive D.W. Feather	Samsung Electronics Co., Ltd.
Florian Lefeuvre	Texas Instruments
Tomás Motos López	Texas Instruments
Michael Ungstrup	Widex A/S

Version 4.0

Robin Heydon	CSR
Steven Wenham	CSR
Joel Linsky	Qualcomm
Geert Sonck	ST Ericsson

2.7.4 Part D: Message Sequence Charts

Version 5.1

Jason Hillyard	ARM Ltd
Stephen Coe	BlackBerry Limited
Shawn Ding	Broadcom Corporation
Angel Polo	Broadcom Corporation
Raja Banerjea	CSR
Mayank Batra	CSR
Ian Blair	CSR
Robin Heydon	CSR
Sabita Nahata	CSR
Neil Stewart	CSR
Jonathan Tanner	CSR
Robert Hulvey	Cypress Semiconductor Corporation
Julien Gros	Dialog Semiconductor B.V.
Nick Hunn	GN Hearing A/S
Harish Balasubramaniam	Intel Corporation
Marcel Holtmann	Intel Corporation
Seung R. Yang	LG Electronics Inc.
Josselin de la Broise	Marvell Technology Group Ltd
Lichun Ko	Mediatek Inc.
Shwetha Mahadik	MindTree Limited

Version History and Acknowledgments

Juha Salokannel	Nokia Corporation
Jari Syrjärinne	Nokia Corporation
Jiao Xianjun	Nokia Corporation
Zhang Xin	Nokia Corporation
Daniel Ryan	Nordic Semiconductor ASA
Frank Berntsen	Nordic Semiconductor ASA
Brian A. Redding	Qualcomm Atheros
Joel Linsky	Qualcomm Atheros
Mayank Batra	Qualcomm Technologies International, Ltd.
Brian A. Redding	Qualcomm Technologies, Inc.
Daphne Liu	Realsil Microelectronics Inc
Jean-Philippe Lambert	RivieraWaves
Vivien-Thom Leng	RivieraWaves
Clive D.W. Feather	Samsung Electronics Co., Ltd.
Rasmus Abildgren	Samsung Electronics Co., Ltd.
Jeff Solum	Starkey Hearing Technologies
Iman Shawky	Synopsys, Inc.
Khaled Elsayed	Synopsys, Inc.
Latifa Ali	Synopsys, Inc.
Florian Lefeuvre	Texas Instruments Incorporated
Tomas Motos Lopez	Texas Instruments Incorporated
Kanji Kerai	Widex A/S
Michael Ungstrup	Widex A/S

Version 5.0

Edward Harrison	Anritsu
Phil Hough	Anritsu
Shawn Ding	Broadcom
Steven Hall	Broadcom
Angel Polo	Broadcom
Raja Banerjea	CSR
Sandipan Kundu	CSR
Dishant Srivastava	CSR
Yi-Ling Chao	Marvell
KC Chou	MediaTek
James Wang	MediaTek
Thomas Varghese	Mindtree
Phil Corbishley	Nordic Semiconductor ASA
David Engelen-Lopes	Nordic Semiconductor ASA
Eivind Sjøgren Olsen	Nordic Semiconductor ASA
Bjarne Klemmensen	Oticon A/S
Niclas Granqvist	Polar

Version History and Acknowledgments

RaviKiran Gopalan	Qualcomm Atheros
Mayank Batra	Qualcomm Technologies, Inc.
Robin Heydon	Qualcomm Technologies, Inc.
Joel Linsky	Qualcomm Technologies, Inc.
Jonathan Tanner	Qualcomm Technologies, Inc.
Jean-Philippe Lambert	RiveraWaves
Clive D.W. Feather	Samsung Electronics Co., Ltd.
Jeff Solum	Starkey Hearing Technologies
Florian Lefeuvre	Texas Instruments
Tomás Motos López	Texas Instruments
Anthony Viscardi	Texas Instruments
Micheal Ungstrup	Widex

Version 4.2

Sriram Hariharan	Apple
Angel Polo	Broadcom
Mayank Batra	CSR
Joe Decuir	CSR
Giriraj Goyal	CSR
Robin Heydon	CSR
Jonathan Tanner	CSR
Harish Balasubramaniam	Intel
Marcel Holtmann	Intel
Yao Wang	IVT Corporation
Frank Berntsen	Nordic Semiconductor
David Engelen-Lopes	Nordic Semiconductor
Rasmus Abildgren	Samsung Electronics
Joel Linsky	Qualcomm Atheros
Brian A. Redding	Qualcomm Atheros
Jason Hillyard	Wicentric

Version 4.1

Angel Polo	Broadcom
Mayank Batra	CSR
Joe Decuir	CSR
Giriraj Goyal	CSR
Robin Heydon	CSR
Neil Stewart	CSR
Harish Balasubramaniam	Intel
Magnus Eriksson	Intel
Yao Wang	IVT Corporation
Rajan S Pallathu	MindTree Ltd.
David Lopes	Nordic Semiconductor
Joel Linsky	Qualcomm Atheros

Version History and Acknowledgments



Jean-Philippe Lambert	RivieraWaves
Rasmus Abildgren	Samsung Electronics
Anthony Viscardi	Texas Instruments
Jason Hillyard	Wicentric

Version 4.0

Robin Heydon	CSR
Steven Wenham	CSR
Steve Davies	Nokia
Joel Linsky	Qualcomm
Geert Sonck	ST Ericsson

2.7.5 Part E: Low Energy Security Specification

Version 5.1

Jason Hillyard	ARM Ltd
Stephen Coe	BlackBerry Limited
Angel Polo	Broadcom Corporation
Raja Banerjea	CSR
Mayank Batra	CSR
Ian Blair	CSR
Robin Heydon	CSR
Sabita Nahata	CSR
Neil Stewart	CSR
Jonathan Tanner	CSR
Robert Hulvey	Cypress Semiconductor Corporation
Harish Balasubramaniam	Intel Corporation
Marcel Holtmann	Intel Corporation
Seung R. Yang	LG Electronics Inc.
Josselin de la Broise	Marvell Technology Group Ltd
Lichun Ko	Mediatek Inc.
Shwetha Mahadik	MindTree Limited
Juha Salokannel	Nokia Corporation
Jari Syrjärinne	Nokia Corporation
Jiao Xianjun	Nokia Corporation
Zhang Xin	Nokia Corporation
Daniel Ryan	Nordic Semiconductor ASA
Joel Linsky	Qualcomm Atheros
Brian A. Redding	Qualcomm Atheros
Mayank Batra	Qualcomm Technologies International, Ltd.
Daphne Liu	Realsil Microelectronics Inc
Jean-Philippe Lambert	RivieraWaves
Rasmus Abildgren	Samsung Electronics Co., Ltd.

Version History and Acknowledgments



Clive D.W. Feather	Samsung Electronics Co., Ltd.
Iman Shawky	Synopsys, Inc.
Florian Lefevre	Texas Instruments Incorporated
Tomas Motos Lopez	Texas Instruments Incorporated

Version 4.2

Edward Harrison	Anritsu
Phil Hough	Anritsu
Mayank Batra	CSR
Robin Heydon	CSR
Harish Balasubramaniam	Intel
Magnus Eriksson	Intel
Marcel Holtmann	Intel
Clive D.W. Feather	Samsung Electronics
Ed Callaway	Sunrise Micro Devices
Joel Linsky	Qualcomm Atheros
Brian A. Redding	Qualcomm Atheros
Jean-Philippe Lambert	RivieraWaves
Jason Hillyard	Wicentric

Version 4.0

Robin Heydon	CSR
Steven Singer	CSR
Steven Wenham	CSR
Mika Kasslin	Nokia
Joel Linsky	Qualcomm
Geert Sonck	ST Ericsson
Alon Paycher	Texas Instruments

2.7.6 Part F: Direct Test Mode

Version 5.1

Jason Hillyard	ARM Ltd
Stephen Coe	BlackBerry Limited
Angel Polo	Broadcom Corporation
Raja Banerjea	CSR
Mayank Batra	CSR
Ian Blair	CSR
Robin Heydon	CSR
Sabita Nahata	CSR
Neil Stewart	CSR
Jonathan Tanner	CSR
Robert Hulvey	Cypress Semiconductor Corporation

Version History and Acknowledgments

Harish Balasubramaniam	Intel Corporation
Marcel Holtmann	Intel Corporation
Seung R. Yang	LG Electronics Inc.
Josselin de la Broise	Marvell Technology Group Ltd
Lichun Ko	Mediatek Inc.
Shwetha Mahadik	MindTree Limited
Juha Salokannel	Nokia Corporation
Jari Syrjärinne	Nokia Corporation
Jiao Xianjun	Nokia Corporation
Zhang Xin	Nokia Corporation
Daniel Ryan	Nordic Semiconductor ASA
Joel Linsky	Qualcomm Atheros
Brian A. Redding	Qualcomm Atheros
Mayank Batra	Qualcomm Technologies International, Ltd.
Daphne Liu	Realsil Microelectronics Inc
Jean-Philippe Lambert	RivieraWaves
Rasmus Abildgren	Samsung Electronics Co., Ltd.
Clive D.W. Feather	Samsung Electronics Co., Ltd.
Iman Shawky	Synopsys, Inc.
Florian Lefeuvre	Texas Instruments Incorporated
Tomas Motos Lopez	Texas Instruments Incorporated

Version 5.0

Edward Harrison	Anritsu
Phil Hough	Anritsu
Shawn Ding	Broadcom
Steven Hall	Broadcom
Angel Polo	Broadcom
Raja Banerjea	CSR
Sandipan Kundu	CSR
Dishant Srivastava	CSR
Yi-Ling Chao	Marvell
KC Chou	MediaTek
James Wang	MediaTek
Thomas Varghese	Mindtree
Phil Corbishley	Nordic Semiconductor ASA
David Engelién-Lopes	Nordic Semiconductor ASA
Eivind Sjøgren Olsen	Nordic Semiconductor ASA
Bjarne Klemmensen	Oticon A/S
Niclas Granqvist	Polar
RaviKiran Gopalan	Qualcomm Atheros
Mayank Batra	Qualcomm Technologies, Inc.

Version History and Acknowledgments

Robin Heydon	Qualcomm Technologies, Inc.
Joel Linsky	Qualcomm Technologies, Inc.
Jonathan Tanner	Qualcomm Technologies, Inc.
Jean-Philippe Lambert	RiveraWaves
Clive D.W. Feather	Samsung Electronics Co., Ltd.
Jeff Solum	Starkey Hearing Technologies
Florian Lefeuvre	Texas Instruments
Tomás Motos López	Texas Instruments
Anthony Viscardi	Texas Instruments
Micheal Ungstrup	Widex

Version 4.2

Edward Harrison	Anritsu
Phil Hough	Anritsu
Mayank Batra	CSR
Robin Heydon	CSR
Harish Balasubramaniam	Intel
Magnus Eriksson	Intel
Marcel Holtmann	Intel
Clive D.W. Feather	Samsung Electronics
Ed Callaway	Sunrise Micro Devices
Joel Linsky	Qualcomm Atheros
Brian A. Redding	Qualcomm Atheros
Jean-Philippe Lambert	RivieraWaves
Jason Hillyard	Wicentric

Version 4.0

Edward Harrison	Anritsu
Robert Hulvey	Broadcom
Magnus Sommansson	CSR
Robin Heydon	CSR
Steven Wenham	CSR
Steve Davies	Nokia
Frank Karlsen	Nordic Semiconductor
Joel Linsky	Qualcomm
Helge Coward	Texas Instruments



2.8 [VOL 7] WIRELESS COEXISTENCE SIGNALING AND INTERFACES

2.8.1 Part A: MWS Coexistence Logical Signaling Specification

Version 4.1

Knut Odman	Broadcom
Shawn Ding	Broadcom
Steven Hall	Broadcom
Joe Decuir	CSR
Leif Wilhelmsson	Ericsson
Sharon Yang	Intel
Josselin de la Broise	Marvell
Huanchun Ye	MediaTek
L. C. Ko	MediaTek
Joel Linsky	Qualcomm Atheros
Olaf Hirsch	Qualcomm Atheros
Yves Wernaers	ST-Ericsson
Alon Cheifetz	Texas Instruments

2.8.2 Part B: Wireless Coexistence Interface 1 (WCI-1) Transport Specification

Version 4.1

Steven Hall	Broadcom
Joe Decuir	CSR
Clive D.W. Feather	CSR
Sharon Yang	Intel
Huanchun Ye	MediaTek
L. C. Ko	MediaTek
Aaron Hsieh	MediaTek
Joel Linsky	Qualcomm Atheros
Olaf Hirsch	Qualcomm Atheros
Alon Cheifetz	Texas Instruments

2.8.3 Part C: Wireless Coexistence Interface 2 (WCI-2) Transport Specification

Version 4.1

Knut Odman	Broadcom
Shawn Ding	Broadcom
Steven Hall	Broadcom
Joe Decuir	CSR
Clive D.W. Feather	CSR

Version History and Acknowledgments



Leif Wilhelmsson	Ericsson
Sharon Yang	Intel
Josselin De La Broise	Marvell
Huanchun Ye	MediaTek
Joel Linsky	Qualcomm
Olaf Hirsch	Qualcomm
Yves Wernaers	ST-Ericsson
Alon Cheifetz	Texas Instruments



3 ACKNOWLEDGMENTS FOR v5.2

3.1 ACKNOWLEDGMENTS FOR LE ISOCHRONOUS CHANNELS

Jiawei Chen	ARM Ltd
Jason Hillyard	ARM Ltd
John Yi	ARM Ltd
Shawn Ding	Broadcom Corporation
Angel Polo	Broadcom Corporation
Rangineni Balasubramanyam	Cypress Semiconductor Corporation
Rohit Gupta	Cypress Semiconductor Corporation
Sachinakumar Hottigoudar	Cypress Semiconductor Corporation
Mohan Mysore	Cypress Semiconductor Corporation
Nick Hunn	GN Hearing A/S
Thorkild Pedersen	GN Hearing A/S
Marcel Vlaming	GN Hearing A/S
Liu Huazhang	Hisilicon Technologies Co., Ltd.
Harish Balasubramaniam	Intel Corporation
Himanshu Bhalla	Intel Corporation
Magnus Eriksson	Intel Corporation
Oren Haggai	Intel Corporation
Marcel Holtmann	Intel Corporation
Robert D Hughes	Intel Corporation
Xuemei Sherry Ouyang	Intel Corporation
Balvinder Pal Singh	Intel Corporation
Luiz Von Dentz	Intel Corporation
L.C. Ko	MediaTek
Shwetha Mahadik	Mindtree Limited
Håkon Amundsen	Nordic Semiconductor ASA
Pål Håland	Nordic Semiconductor ASA
Eivind Sjøgren Olsen	Nordic Semiconductor ASA
Daniel Ryan	Nordic Semiconductor ASA
Sam Geeraerts	NXP Semiconductors
Chris Deck	ON Semiconductor
Bjarne Klemmensen	Oticon A/S
John Yi	Packetcraft, Inc.
Erwin Weinans	Plantronics Inc.
Joel Linsky	Qualcomm Technologies, Inc.
Brian Redding	Qualcomm Technologies, Inc.
Mayank Batra	Qualcomm Technologies International Ltd.
Robin Heydon	Qualcomm Technologies International Ltd.

Version History and Acknowledgments

Jonathan Tanner	Qualcomm Technologies International, Ltd.
Frederic Belouin	RivieraWaves
Jean-Philippe Lambert	RivieraWaves
Clive D.W. Feather	Samsung Cambridge Solution Centre
Rasmus Abildgren	Samsung Electronics Co., Ltd.
Ole Heftholm-Jensen	Samsung Electronics Co., Ltd.
Robert Bäuml	Sivantos GmbH
Riccardo Cavallari	Sivantos GmbH
Joerg Lebender	Sivantos GmbH
Stephan Gehring	Sonova AG
Andrew Estrada	Sony Corporation
Jeff Solum	Starkey Hearing Technologies
Latifa Ali	Synopsys, Inc.
Khaled Ali	Synopsys, Inc.
Khaled Elsayed	Synopsys, Inc.
Karim Mokhtar	Synopsys, Inc.
Mahmoud Samy	Synopsys, Inc.
Ahmed Shawky	Synopsys, Inc.
Florian Lefeuvre	Texas Instruments Incorporated
Kanji Kerai	Widex A/S
Søren Møllskov Larsen	Widex A/S
Michael Ungstrup	Widex A/S

3.2 ACKNOWLEDGMENTS FOR LE POWER CONTROL

Edward Harrison	Anritsu Corporation
Shawn Ding	Broadcom Corporation
Angel Polo	Broadcom Corporation
John Penn	Cypress Semiconductor Corporation
Mesh Davaraj	Dialog Semiconductor B.V.
Harish Balasubramaniam	Intel Corporation
Magnus Eriksson	Intel Corporation
Rajan S Pallathu	Mindtree Limited
Sandeep Choudhary	Nordic Semiconductor ASA
Pål Håland	Nordic Semiconductor ASA
Bjarne Klemmensen	Oticon A/S
Mayank Batra	Qualcomm Technologies International, Ltd.
Chris Church	Qualcomm Technologies International, Ltd.
Robin Heydon	Qualcomm Technologies International, Ltd.
Joel Linsky	Qualcomm Technologies, Inc.
Brian Redding	Qualcomm Technologies, Inc.
Jean Philippe Lambert	RivieraWaves



Clive D.W. Feather	Samsung Cambridge Solution Centre
Khaled Elsayed	Synopsys, Inc.

3.3 ACKNOWLEDGMENTS FOR ENHANCED ATTRIBUTE PROTOCOL

Morteza Rahchamani	ARM Ltd
Rasmus Abildgren	Bose Corporation
Yogesh Ulhas Kamat Mhamai	Cypress Semiconductor Corporation
Himanshu Bhalla	Intel Corporation
Oren Haggai	Intel Corporation
Robert D Hughes	Intel Corporation
Balvinder Pal Singh	Intel Corporation
Luiz Von Dentz	Intel Corporation
Shwetha Mahadik	Mindtree Limited
Pål Håland	Nordic Semiconductor ASA
Chris Deck	ON Semiconductor
Scott Walsh	Plantronics Inc.
Mayank Batra	Qualcomm Technologies International, Ltd.
Robin Heydon	Qualcomm Technologies International, Ltd.
Frederic Belouin	RivieraWaves
Clive D.W. Feather	Samsung Cambridge Solution Centre
Rasmus Abildgren	Samsung Electronics Co., Ltd.
Andrew Estrada	Sony Corporation
Masahiko Seki	Sony Corporation
Jeff Solum	Starkey Hearing Technologies
Florian Lefeuvre	Texas Instruments Incorporated



4 ACKNOWLEDGMENTS FOR v5.3

4.1 ACKNOWLEDGMENTS FOR ADVDATAINFO IN PERIODIC ADVERTISING

Shawn Ding	Broadcom Corporation
Bjarne Klemmensen	Demant A/S
Harish Balasubramaniam	Intel Corporation
Chris Deck	ON Semiconductor
Mayank Batra	Qualcomm Technologies International, Ltd.
Clive D.W. Feather	Samsung Cambridge Solution Centre
Kanji Kerai	Sivantos GmbH
Jeff Solum	Starkey Hearing Technologies

4.2 ACKNOWLEDGMENTS FOR HOST TO CONTROLLER ENCRYPTION KEY CONTROL ENHANCEMENTS

Harish Balasubramaniam	Intel Corporation
Erik Peterson	Microsoft Corporation
Mayank Batra	Qualcomm Technologies International, Ltd.
Clive D.W. Feather	Samsung Cambridge Solution Centre

4.3 ACKNOWLEDGMENTS FOR LE ENHANCED CONNECTION UPDATE

Rasmus Abildgren	Bose Corporation
Shawn Ding	Broadcom Corporation
Angel Polo	Broadcom Corporation
Per Skillermark	Ericsson AB
Harish Balasubramaniam	Intel Corporation
Magnus Eriksson	Intel Corporation
Oren Haggai	Intel Corporation
Pål Håland	Nordic Semiconductor ASA
Sam Geeraerts	NXP Semiconductors
Mayank Batra	Qualcomm Technologies International, Ltd.
Jean-Phillippe Lambert	RivieraWaves
Clive D.W. Feather	Samsung Cambridge Solution Centre
Kanji Kerai	Sivantos GmbH
Florian Lefeuvre	Skyworks Solutions Inc.
Jeff Solum	Starkey Hearing Technologies



4.4 ACKNOWLEDGMENTS FOR LE CHANNEL CLASSIFICATION

Shawn Ding	Broadcom Corporation
Mesh Davaraj	Dialog Semiconductor B.V.
Harish Balasubramaniam	Intel Corporation
Mayank Batra	Qualcomm Technologies International, Ltd.
Robin Heydon	Qualcomm Technologies International, Ltd.
Jean-Philippe Lambert	RivieraWaves
Clive D.W. Feather	Samsung Cambridge Solution Centre

4.5 ACKNOWLEDGMENTS FOR REMOVING ALTERNATE MAC/PHY

Angel Polo	Broadcom Corporation
Kanji Kerai	Dialog Semiconductor B.V.
Mayank Batra	Qualcomm Technologies International, Ltd.
Robin Heydon	Qualcomm Technologies International, Ltd.
Clive D.W. Feather	Samsung Cambridge Solution Centre



5 ACKNOWLEDGMENTS FOR v5.4

5.1 CODING SCHEME SELECTION ON ADVERTISING

Mayank Batra	Qualcomm Technologies International, Ltd.
Clive D.W. Feather	Samsung Cambridge Solution Centre
Rob Davies	Signify Netherlands B.V.
Nancy Lee	Signify Netherlands B.V.
Luca Zappaterra	Signify Netherlands B.V.

5.2 ENCRYPTED ADVERTISING DATA

Bjarne Klemmensen	Demant A/S
Mesh Davaraj	Dialog Semiconductor B.V.
Kanji Kerai	Dialog Semiconductor B.V.
Dong Jianli	GuangDong Oppo Mobile Telecommunications Corp., Ltd.
Pouria Zand	Infineon Technologies AG
Pål Håland	Nordic Semiconductor ASA
Mayank Batra	Qualcomm Technologies International, Ltd.
Robin Heydon	Qualcomm Technologies International, Ltd.
Clive D.W. Feather	Samsung Cambridge Solution Centre
Lauri Hintsala	Silicon Laboratories, Inc.

5.3 PERIODIC ADVERTISING WITH RESPONSES

Bjarne Klemmensen	Demant A/S
Kanji Kerai	Dialog Semiconductor B.V.
Fabien Duvoux	Ellisys
Dong Jianli	GuangDong Oppo Mobile Telecommunications Corp., Ltd.
Balasubramanyam Rangineni	Infineon Technologies AG
Pouria Zand	Infineon Technologies AG
Pål Håland	Nordic Semiconductor ASA
Mayank Batra	Qualcomm Technologies International, Ltd.
Robin Heydon	Qualcomm Technologies International, Ltd.
Lauri Hintsala	Silicon Laboratories, Inc.

5.4 LE GATT SECURITY LEVELS CHARACTERISTIC

Erik Moll	Koninklijke Philips N.V.
Rob Hulvey	Meta Platforms Inc.



Architecture, Mixing, and Conventions

Specification of the *Bluetooth*® System

Volume 1

Covered Core Package Version: **5.4**

Version Date: **2023-01-31**

Architecture, Mixing, and Conventions
Part A

ARCHITECTURE



CONTENTS

1	General description	187
1.1	Overview of BR/EDR operation	188
1.2	Overview of Bluetooth Low Energy operation	190
1.3	[This section is no longer used]	195
1.4	Nomenclature	195
2	Core system architecture.....	202
2.1	Core architectural blocks	205
2.1.1	Host architectural blocks.....	205
2.1.1.1	Channel manager.....	205
2.1.1.2	L2CAP resource manager	206
2.1.1.3	Security Manager Protocol	206
2.1.1.4	Attribute Protocol	206
2.1.1.5	[This section is no longer used].....	206
2.1.1.6	Generic Attribute Profile	206
2.1.1.7	Generic Access Profile	207
2.1.2	BR/EDR/LE Controller architectural blocks.....	207
2.1.2.1	Device manager	207
2.1.2.2	Link manager.....	207
2.1.2.3	Baseband resource manager	208
2.1.2.4	Link Controller	208
2.1.2.5	PHY	208
2.1.2.6	Isochronous Adaptation Layer	209
2.1.3	[This section is no longer used]	209
3	Data transport architecture.....	210
3.1	Core traffic bearers	211
3.1.1	Framed data traffic.....	212
3.1.2	Unframed data traffic	213
3.1.3	Reliability of traffic bearers.....	214
3.1.3.1	BR/EDR reliability.....	214
3.1.3.2	LE reliability	215
3.1.3.3	[This section is no longer used].....	215
3.2	Transport architecture entities	216
3.2.1	BR/EDR generic packet structure	216
3.2.2	LE generic packet structure	218
3.3	Physical channels.....	222
3.3.1	BR/EDR physical channels.....	222
3.3.1.1	Basic piconet channel	223
3.3.1.2	Adapted piconet channel.....	224
3.3.1.3	Inquiry scan channel	225
3.3.1.4	Page scan channel.....	226



- 3.3.1.5 Synchronization scan channel..... 227
- 3.3.2 LE physical channels 228
 - 3.3.2.1 LE piconet physical channel..... 229
 - 3.3.2.2 Advertising physical channels 230
 - 3.3.2.3 Periodic physical channel..... 232
 - 3.3.2.4 LE Isochronous physical channel..... 233
- 3.3.3 [This section is no longer used] 234
- 3.4 Physical links 234
 - 3.4.1 BR/EDR links supported by the basic and adapted piconet physical channels..... 235
 - 3.4.1.1 Active physical link 235
 - 3.4.1.2 [This section is no longer used]..... 236
 - 3.4.1.3 Connectionless Peripheral Broadcast physical link 236
 - 3.4.2 BR/EDR links supported by the scanning physical channels..... 236
 - 3.4.3 LE links supported by the LE physical channels..... 236
 - 3.4.3.1 Active physical link 237
 - 3.4.3.2 Advertising physical link 237
 - 3.4.3.3 Periodic physical link 237
 - 3.4.3.4 Isochronous physical links..... 237
 - 3.4.4 [This section is no longer used] 238
- 3.5 Logical links and logical transports 238
 - 3.5.1 Casting..... 240
 - 3.5.2 Scheduling and acknowledgment scheme..... 240
 - 3.5.3 Class of data..... 240
 - 3.5.4 Logical transports..... 241
 - 3.5.4.1 BR/EDR asynchronous connection-oriented (ACL) 241
 - 3.5.4.2 BR/EDR synchronous connection-oriented (SCO) 242
 - 3.5.4.3 BR/EDR extended synchronous connection-oriented (eSCO) 243
 - 3.5.4.4 BR/EDR active Peripheral broadcast (APB)..... 243
 - 3.5.4.5 [This section is no longer used]..... 244
 - 3.5.4.6 LE asynchronous connection (LE ACL)..... 244
 - 3.5.4.7 LE advertising broadcast (ADVB)..... 244
 - 3.5.4.8 Connectionless Peripheral Broadcast (CPB)..... 245
 - 3.5.4.9 LE periodic advertising 245
 - 3.5.4.10 Connected Isochronous Stream (CIS) 246
 - 3.5.4.11 Connected Isochronous Group (CIG)..... 246
 - 3.5.4.12 Broadcast Isochronous Stream (BIS)..... 247
 - 3.5.4.13 Broadcast Isochronous Group (BIG) 247
 - 3.5.5 Logical links 247



- 3.5.5.1 BR/EDR logical links 247
- 3.5.5.2 LE logical links..... 248
- 3.5.5.3 [This section is no longer used]..... 250
- 3.6 L2CAP channels 250
- 3.7 Isochronous Adaptation Layer (ISOAL) 251
- 3.8 Power control..... 251
 - 3.8.1 Power control in BR/EDR..... 251
 - 3.8.2 Power control in LE..... 251
- 4 Communication topology and operation..... 252**
 - 4.1 Piconet topology 252
 - 4.1.1 BR/EDR topology..... 252
 - 4.1.2 LE topology 254
 - 4.2 Operational procedures and modes 256
 - 4.2.1 BR/EDR procedures 256
 - 4.2.1.1 Inquiry (discovering) procedure..... 256
 - 4.2.1.2 Paging (connecting) procedure 257
 - 4.2.1.3 Connected mode 257
 - 4.2.1.4 Hold mode 258
 - 4.2.1.5 Sniff mode 258
 - 4.2.1.6 [This section is no longer used]..... 258
 - 4.2.1.7 Role switch procedure..... 259
 - 4.2.1.8 Enhanced Data Rate 259
 - 4.2.1.9 Connectionless Peripheral Broadcast mode 259
 - 4.2.2 LE procedures..... 260
 - 4.2.2.1 Device filtering procedure..... 260
 - 4.2.2.2 Advertising procedure 261
 - 4.2.2.3 Scanning procedure 262
 - 4.2.2.4 Discovering procedure 262
 - 4.2.2.5 Connecting procedure 263
 - 4.2.2.6 Connected mode 263
 - 4.2.2.7 Periodic advertising procedure..... 264
 - 4.2.2.8 Periodic advertising synchronization procedure .
264
 - 4.2.2.9 Periodic advertising synchronized mode 265
 - 4.2.3 [This section is no longer used] 265
- 5 Security overview 266**
 - 5.1 Security architecture 266
 - 5.2 BR/EDR Secure Simple Pairing..... 268
 - 5.2.1 Security goals 268
 - 5.2.2 Passive eavesdropping protection 269
 - 5.2.3 Man-in-the-middle protection 269
 - 5.2.4 Association models 270
 - 5.2.4.1 Numeric Comparison..... 270



	5.2.4.2	Just Works	271
	5.2.4.3	Out of Band	271
	5.2.4.4	Passkey Entry	272
	5.2.4.5	Association model overview	272
5.3		Secure Connections Only mode	273
5.4		LE security	273
	5.4.1	Association models	274
	5.4.2	Key generation	274
	5.4.3	Encryption	274
	5.4.4	Signed Data	274
	5.4.5	Privacy feature	275
	5.4.6	Encrypted Advertising Data	276
5.5		[This section is no longer used]	276
5.6		Key generation between BR/EDR and LE physical transports	277
6		Bluetooth application architecture	278
	6.1	Bluetooth profiles	278
	6.2	Generic Access Profile	278
	6.3	Profile hierarchy	279
	6.4	Generic Attribute Architecture	280
		6.4.1 Attribute Protocol	280
		6.4.2 Generic Attribute Profile	281
	6.5	GATT-Based Profile hierarchy	281
		6.5.1 Service	282
		6.5.2 Included services	283
		6.5.3 Characteristic	283
	6.6	Mesh-based model hierarchy	283
		6.6.1 Model	283
		6.6.2 Properties	284
7		Coexistence and collocation	285
	7.1	Core features supporting coexistence and collocation	286
	7.2	Adaptive Frequency Hopping	286
	7.3	Coexistence between Bluetooth Devices and Wireless LAN Devices	287
	7.4	Mobile Wireless Standards (MWS) coexistence	287
	7.5	Synchronizing Bluetooth with an external timing source	290
	7.6	Piconet clock adjustment	291
	7.7	Slot Availability Mask (SAM)	292
8		Direction finding using Bluetooth Low Energy	293
	8.1	Angle of arrival (AoA) method	293
	8.2	Angle of departure (AoD) method	294



1 GENERAL DESCRIPTION

Bluetooth wireless technology is a short-range communications system intended to replace the cable(s) connecting portable and/or fixed electronic devices. The key features of Bluetooth wireless technology are robustness, low power consumption, and low cost. Many features of the specification are optional, allowing product differentiation.

There are two forms of Bluetooth wireless technology systems: Basic Rate (BR) and Low Energy (LE). Both systems include device discovery, connection establishment and connection mechanisms. The Basic Rate system includes an optional Enhanced Data Rate (EDR) extension. The Basic Rate system offers synchronous and asynchronous connections with data rates of 721.2 kb/s for Basic Rate and 2.1 Mb/s for Enhanced Data Rate. The LE system includes features designed to enable products that require lower current consumption, lower complexity and lower cost than BR/EDR. The LE system is also designed for use cases and applications with lower data rates and has lower duty cycles. The LE system includes an optional 2 Mb/s physical layer data rate and also offers isochronous data transfer in a connection-oriented and connectionless mechanism that uses the isochronous transports. Depending on the use case or application, one system including any optional parts may be more optimal than the other.

Devices implementing both systems can communicate with other devices implementing both systems as well as devices implementing either system. Some profiles and use cases will be supported by only one of the systems. Therefore, devices implementing both systems have the ability to support the most use cases.

The Bluetooth core system consists of a Host and one or more Controllers. A Host is a logical entity defined as all of the layers below the non-core profiles and above the Host Controller interface (HCI). A Controller is a logical entity defined as all of the layers below HCI. An implementation of the Host and Controller may contain the respective parts of the HCI.

An implementation of the Bluetooth Core has only one Controller which may be one of the following configurations:

- a BR/EDR Controller including the Radio, Baseband, Link Manager and optionally HCI.
- an LE Controller including the LE PHY, Link Layer and optionally HCI.
- a combined BR/EDR Controller portion and LE Controller portion (as identified in the previous two bullets) into a single Controller.

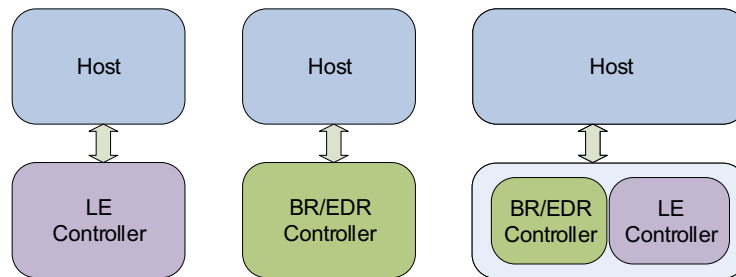


Figure 1.1: Bluetooth Host and Controller combinations: (from left to right): LE Only Controller, BR/EDR only Controller, and BR/EDR/LE Controller

This Part of the specification provides an overview of the Bluetooth system architecture, communication topologies, and data transport features. The text in this Part of the specification should be treated as informational and used as a background and for context-setting.

1.1 OVERVIEW OF BR/EDR OPERATION

The Basic Rate / Enhanced Data Rate (BR/EDR) radio (physical layer or PHY) operates in the unlicensed ISM band at 2.4 GHz. The system employs a frequency hopping transceiver to combat interference and fading and provides many FHSS carriers. Basic Rate radio operation uses a shaped, binary frequency modulation to minimize transceiver complexity. The symbol rate is 1 megasymbol per second (Msym/s) supporting the bit rate of 1 megabit per second (Mb/s) or, with Enhanced Data Rate, a gross air bit rate of 2 Mb/s or 3 Mb/s. These modes are known as Basic Rate and Enhanced Data Rate respectively.

During typical operation a physical radio channel is shared by a group of devices that are synchronized to a common clock and frequency hopping pattern. One device provides the synchronization reference and is known as the Central. All other devices synchronized to a Central's clock and frequency hopping pattern are known as Peripherals. A group of devices synchronized in this fashion form a piconet. This is the fundamental form of communication in the Bluetooth BR/EDR wireless technology.

Devices in a piconet use a specific frequency hopping pattern, which is algorithmically determined by certain fields in the Bluetooth address and clock of the Central. The basic hopping pattern is a pseudo-random ordering of the 79 frequencies, separated by 1 MHz, in the ISM band. The hopping pattern can be adapted – on a per-Peripheral basis – to exclude a portion of the frequencies that are used by interfering devices. The adaptive hopping technique improves Bluetooth co-existence with static (non-hopping) ISM systems when they are co-located.

The physical channel is sub-divided into time units known as slots. Data is transmitted between Bluetooth devices in packets that are positioned in these slots. When circumstances permit, a number of consecutive slots may be



allocated to a single packet. Frequency hopping may take place between the transmission or reception of packets. Bluetooth technology provides the effect of full duplex transmission through the use of a Time-Division Duplex (TDD) scheme.

Above the physical channel there is a layering of links and channels and associated control protocols. The hierarchy of channels and links from the physical channel upwards is physical channel, physical link, logical transport, logical link and L2CAP channel. These are discussed in more detail in [Section 3.3](#) to [Section 3.6](#) but are introduced here to aid the understanding of the remainder of this section.

Typically within a physical channel, a physical link is formed between a Central and one or more Peripherals. Exceptions to this include Inquiry scan and Page scan physical channels, which have no associated physical link. The physical link provides bidirectional packet transport between the Central and Peripherals, except in the case of a Connectionless Peripheral Broadcast physical link. In that case, the physical link provides a unidirectional packet transport from the Central to a potentially unlimited number of Peripherals. Since a physical channel could include multiple Peripherals, there are restrictions on which devices may form a physical link. There is a physical link between each Peripheral and the Central. Physical links are not formed directly between the Peripherals in a piconet.

The physical link is used as a transport for one or more logical links that support unicast synchronous, asynchronous and isochronous traffic, and broadcast traffic. Traffic on logical links is multiplexed onto the physical link by occupying slots assigned by a scheduling function in the resource manager.

A control protocol for the baseband and physical layers is carried over logical links in addition to user data. This is the Link Manager protocol (LMP). Devices that are active in a piconet have a default asynchronous connection-oriented logical transport that is used to transport the LMP protocol signaling. For historical reasons this is known as the ACL logical transport. With the exception of Connectionless Peripheral Broadcast devices, the primary ACL logical transport is the one that is created whenever a device joins a piconet. Connectionless Peripheral Broadcast devices may join the piconet purely to listen to Connectionless Peripheral Broadcast packets. In that case, a Connectionless Peripheral Broadcast logical transport is created (also called a CPB logical transport) and no ACL logical transport is required. For all devices, additional logical transports may be created to transport synchronous data streams when required.

The Link Manager function uses LMP to control the operation of devices in the piconet and provide services to manage the lower architectural layers (radio and baseband). The LMP protocol is carried on the primary ACL and Active Peripheral Broadcast logical transports.



Above the baseband the L2CAP layer provides a channel-based abstraction to applications and services. It carries out segmentation and reassembly of application data and multiplexing and de-multiplexing of multiple channels over a shared logical link. L2CAP has a protocol control channel that is carried over the default ACL logical transport. Application data submitted to the L2CAP protocol may be carried on any logical link that supports the L2CAP protocol.

1.2 OVERVIEW OF BLUETOOTH LOW ENERGY OPERATION

Like the BR/EDR radio, the LE radio operates in the unlicensed 2.4 GHz ISM band. The LE system employs a frequency hopping transceiver to combat interference and fading and provides many FHSS carriers. LE radio operation uses a shaped, binary frequency modulation to minimize transceiver complexity. LE uses terminology that differs from BR/EDR to describe supported PHYs with regards to differences in modulation, coding that may be applied, and the resulting data rates. The mandatory symbol rate is 1 megasymbol per second (Msym/s), where 1 symbol represents 1 bit therefore supporting a bit rate of 1 megabit per second (Mb/s), which is referred to as the LE 1M PHY. The 1 Msym/s symbol rate may optionally support error correction coding, which is referred to as the LE Coded PHY. This may use either of two coding schemes: $S=2$, where 2 symbols represent 1 bit therefore supporting a bit rate of 500 kb/s, and $S=8$, where 8 symbols represent 1 bit therefore supporting a bit rate of 125 kb/s. An optional symbol rate of 2 Msym/s may be supported, with a bit rate of 2 Mb/s, which is referred to as the LE 2M PHY. The 2 Msym/s symbol rate supports uncoded data only. LE 1M and LE 2M are collectively referred to as the LE Uncoded PHYs. [Section 3.2.2](#) describes this terminology in more detail.

LE employs two multiple access schemes: Frequency division multiple access (FDMA) and time division multiple access (TDMA). Forty (40) physical channels, separated by 2 MHz, are used in the FDMA scheme. Three (3) are used as primary advertising channels and 37 are used as general purpose channels (including as secondary advertising channels). A TDMA based polling scheme is used in which one device transmits a packet at a predetermined time and a corresponding device responds with a packet after a predetermined interval.

The physical channel is sub-divided into time units known as events. Data is transmitted between LE devices in packets that are positioned in these events. The following types of events exist: Advertising, Extended Advertising, Periodic Advertising, Connection, and Isochronous events (which are partitioned into BIS, BIG, CIS, and CIG events).

Devices that transmit advertising packets on the advertising PHY channels are referred to as advertisers. Devices that receive advertising packets on the advertising physical channels without the intention to connect to the advertising device are referred to as scanners. Transmissions on the advertising PHY channels occur in advertising events. At the start of each advertising event, the advertiser sends an advertising packet corresponding to the advertising event



type. Depending on the type of advertising packet, the scanner may make a request to the advertiser on the same advertising PHY channel which may be followed by a response from the advertiser on the same advertising PHY channel. The advertising PHY channel changes on the next advertising packet sent by the advertiser in the same advertising event. The advertiser may end the advertising event at any time during the event. Each advertising packet in an advertising event uses a different advertising PHY channel. Each advertising event may use a different order for the advertising PHY channels.

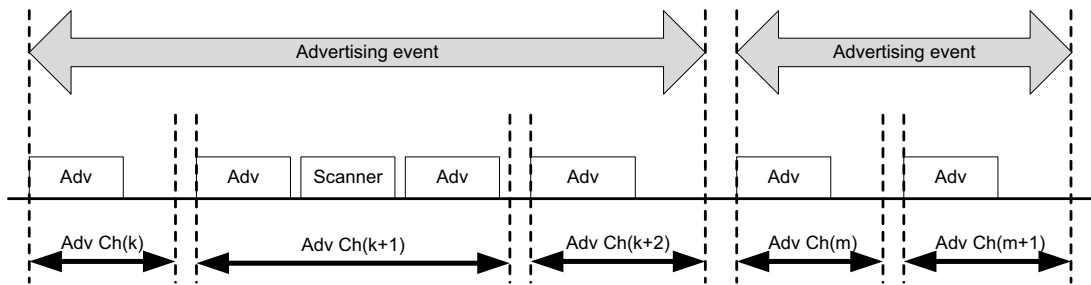


Figure 1.2: Advertising events

LE devices may fulfill the entire communication in the case of unidirectional or broadcast communication between two or more devices using advertising events. LE devices may also use advertising events to establish bi-directional connections with another device and to establish asynchronous or isochronous periodic broadcasts. Asynchronous periodic broadcasts may allow the advertiser to receive responses from one or more devices. These additional activities make use of the general purpose channels in various ways.

Devices that need to form an ACL connection to another device listen for connectable advertising packets. Such devices are referred to as initiators. If the advertiser is using a connectable advertising event, an initiator may make a connection request using the same advertising PHY channel on which it received the connectable advertising packet. The advertising event is ended and connection events begin if the advertiser receives and accepts the request for a connection be initiated. Once a connection is established, the initiator becomes the Central in what is referred to as a piconet and the advertising device becomes the Peripheral. Connection events are used to send data packets between the Central and Peripherals. In connection events, channel hopping occurs at the start of each connection event. Within a connection event, the Central and Peripheral alternate sending data packets using the same data PHY channel. The Central initiates the beginning of each connection event and can end each connection event at any time.

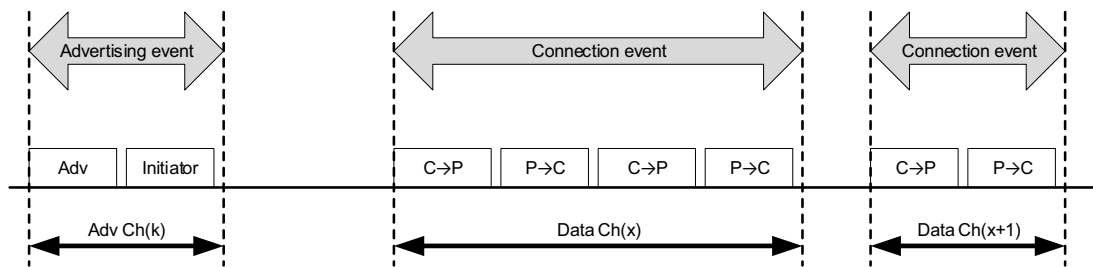


Figure 1.3: Connection events

Devices in a piconet use a specific frequency hopping pattern, which is algorithmically determined by a field contained in the connection request sent by an initiating device. The hopping pattern used in LE is a pseudo-random ordering of the 37 frequencies in the ISM band. The hopping pattern can be adapted to exclude a portion of the frequencies that are used by interfering devices. The adaptive hopping technique improves Bluetooth co-existence with static (non-hopping) ISM systems when these are co-located and have access to information about the local radio environment, or detected by other means. A Peripheral can classify frequencies as good and bad and provide that information to the Central. The Central can take this information into consideration while adapting the hopping pattern.

Using an ACL connection, a Central can establish one or more isochronous connections that use the isochronous physical channel. An isochronous connection is used to transfer isochronous data between the Central and a Peripheral by using a logical transport, which is referred to as a Connected Isochronous Stream (CIS). A CIS consists of CIS events that occur at regular intervals (designated ISO_Interval). Every CIS event consists of one or more subevents. In each subevent, the Central transmits once and the Peripheral responds. If the Central and Peripheral have completed transferring the scheduled isochronous data in a CIS event, all remaining subevents in that event will have no radio transmissions and the event is closed. Each subevent uses a PHY channel which is determined by using the channel selection algorithm. The PHY channel that is used for a subevent is marked as ISO Ch(eventcount, subeventcount), as shown in [Figure 1.4](#).

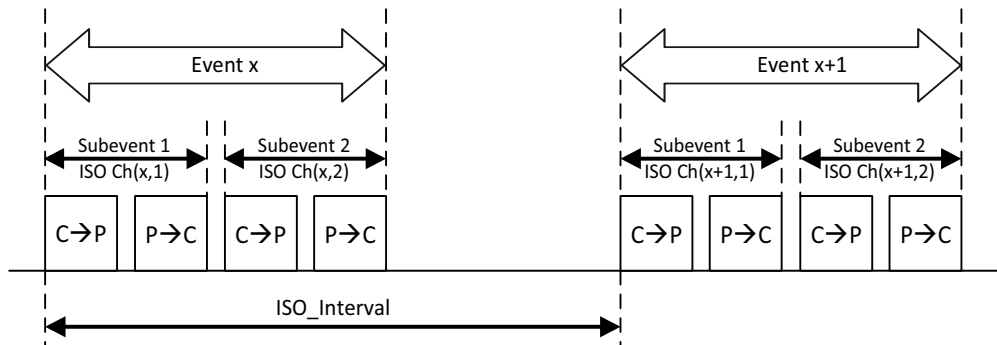


Figure 1.4: CIS events and subevents

A device can use an isochronous physical channel to broadcast isochronous data by using isochronous connectionless logical transports. An isochronous connectionless logical transport is referred to as a Broadcast Isochronous Stream (BIS). A BIS consists of BIS events that occur at regular intervals (designated ISO_Interval). Every BIS event consists of one or more subevents. In every subevent, a broadcasting device transmits an isochronous data packet. Each subevent uses a PHY channel that is determined using the channel selection algorithm.

A device can transmit several BISes with synchronized timing; this is referred to as a Broadcast Isochronous Group (BIG). The various BIS events together form a BIG event. The device can also use the isochronous physical channel to broadcast control information in a Control subevent, which is transmitted at the end of all subevents for a BIG, as shown in Figure 1.5.

A device that transmits BIG events also transmits periodic advertisement events that contain synchronization information of the BIG. A device that is scanning can synchronize to those periodic advertising events and receive the synchronization information. Using this synchronization information, the device can synchronize to one or more BISes in the BIG and receive the isochronous data. Figure 1.5 shows two BIG events: one with and one without a Control subevent. Each subevent uses a PHY channel marked as ISO Ch(eventcount, subeventcount), as shown in Figure 1.5.

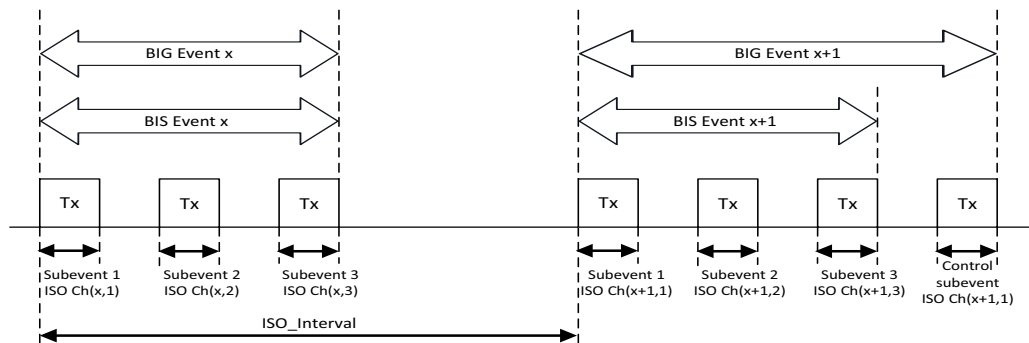


Figure 1.5: BIG and BIS events, BIS subevents, and Control subevent

Above the physical channel there are concepts of links, channels and associated control protocols. The hierarchy is physical channel, physical link, logical transport, logical link, and L2CAP channel. These are discussed in more detail in [Section 3.3](#) to [Section 3.6](#) but are introduced here to aid the understanding of the remainder of this section.

Within a physical channel, a physical link is formed between devices. The active physical link provides bidirectional packet transport between the Central and Peripherals. Centrals may have physical links to more than one Peripheral at a time and Peripherals may have physical links to more than one Central at a time. A device may be Central and Peripheral in different piconets at the same time. Role changes between a Central and Peripheral are not supported. The advertising and periodic physical links provide a unidirectional packet transport from the advertiser to a potentially unlimited number of scanners or initiators.

The physical link is used as a transport for one or more logical links that support asynchronous traffic. Traffic on logical links is multiplexed onto the physical link assigned by a scheduling function in the resource manager.

A control protocol for the link and physical layers is carried over logical links in addition to user data. This is the Link Layer protocol (LL). Devices that are active in a piconet have a default LE asynchronous connection logical transport (LE ACL) that is used to transport the LL protocol signaling. The default LE ACL is the one that is created whenever a piconet is created.

The Link Layer function uses the LL protocol to control the operation of devices in the piconet and provide services to manage the lower architectural layers (PHY and LL).

Overall, a piconet consists of one ACL logical transport over the active physical link plus zero or more CIS logical transports over the isochronous physical link(s).



Just as in BR/EDR, above the Link Layer the L2CAP layer provides a channel-based abstraction to applications and services. It carries out fragmentation and de-fragmentation of application data and multiplexing and de-multiplexing of multiple channels over a shared logical link. L2CAP has a protocol control channel that is carried over the primary ACL logical transport.

In addition to L2CAP, LE provides two additional protocol layers that reside on top of L2CAP. The Security Manager protocol (SMP) uses a fixed L2CAP channel to implement the security functions between devices. The other is the Attribute Protocol (ATT) that provides a method to communicate small amounts of data over a fixed L2CAP channel. The Attribute Protocol is also used by devices to determine the services and capabilities of other devices. The Attribute Protocol may also be used over BR/EDR.

The LE radio provides a means for detecting the relative direction of another LE radio by using the Angle of Arrival (AoA) or Angle of Departure (AoD) method.

1.3 [THIS SECTION IS NO LONGER USED]

1.4 NOMENCLATURE

Where the following terms appear in the specification they have the meaning given in [Table 1.1](#).

Active Peripheral Broadcast (APB)	The logical transport that is used to transport L2CAP user traffic and some kinds of LMP traffic to all active devices in the piconet over the BR/EDR Controller. See Section 3.5.4.4
Ad Hoc Network	A network typically created in a spontaneous manner. An ad hoc network requires no formal infrastructure and is limited in temporal and spatial extent.
Advertiser	A Bluetooth Low Energy device that broadcasts advertising packets during advertising events on advertising channels
Advertising event	A series of between one and three advertising packets on different advertising physical channels sent by an advertiser.
Advertising Packet	A packet containing an advertising PDU. See [Vol 6] Part B, Section 2.3.1
Angle of Arrival (AoA)	Angle of Arrival is the relative direction at which a propagating RF wave that was transmitted by a single antenna is incident on an antenna array.
Angle of Departure (AoD)	Angle of Departure is the relative direction from which a propagating RF wave that was transmitted using an antenna array is incident on another antenna.

Table 1.1: Nomenclature (Sheet 1 of 7)



BD_ADDR	The Bluetooth Device Address, BD_ADDR, is used to identify a Bluetooth device.
Bluetooth	Bluetooth is a wireless communication link, operating in the unlicensed ISM band at 2.4 GHz using a frequency hopping transceiver. It allows real-time AV and data communications between Bluetooth Hosts. The link protocol is based on time slots.
Bluetooth Baseband	The part of the Bluetooth system that specifies or implements the medium access and physical layer procedures to support the exchange of real-time voice, data information streams, and ad hoc networking between Bluetooth Devices.
Bluetooth Clock	A 28 bit clock internal to a BR/EDR Controller sub-system that ticks every 312.5 μ s. The value of this clock defines the slot numbering and timing in the various physical channels.
Bluetooth Controller	A generic term referring to a Controller.
Bluetooth Device	A device that is capable of short-range wireless communications using the Bluetooth system.
Bluetooth Device Address	A 48 bit address used to identify each Bluetooth device.
BR/EDR	Bluetooth basic rate (BR) and enhanced data rate (EDR).
BR/EDR Controller	A term referring to the Bluetooth Radio, Baseband, Link Manager, and HCI layers.
BR/EDR Piconet Physical Channel	A Channel that is divided into time slots in which each slot is related to an RF hop frequency. Consecutive hops normally correspond to different RF hop frequencies and occur at a standard hop rate of 1600 hops per second. These consecutive hops follow a pseudo-random hopping sequence, hopping through a 79 RF channel set, or optionally fewer channels when Adaptive Frequency Hopping (AFH) is in use.
BR/EDR/LE	Bluetooth basic rate (BR), enhanced data rate (EDR) and low energy (LE).
C-plane	Control plane
Channel	Either a physical channel or an L2CAP channel, depending on the context.
Connect (to service)	The establishment of a connection to a service. If not already done, this also includes establishment of a physical link, logical transport, logical link and L2CAP channel.

Table 1.1: Nomenclature (Sheet 2 of 7)



Connectable device	A BR/EDR device in range that periodically listens on its page scan physical channel and will respond to a page on that channel. An LE device that is advertising using a connectable advertising event.
Connected devices	Two BR/EDR devices and with a physical link between them.
Connecting	A phase in the communication between devices when a connection between the devices is being established. (Connecting phase follows after the link establishment phase is completed.)
Connection	A connection between two peer applications or higher layer protocols mapped onto an L2CAP channel.
Connection establishment	A procedure for creating a connection mapped onto a channel.
Connection event	A series of one or more pairs of interleaving data packets sent between a Central and a Peripheral on the same physical channel.
Connectionless Peripheral Broadcast (CPB)	A feature that enables a Central to broadcast information to an unlimited number of Peripherals.
Connectionless Peripheral Broadcast Receiver	A Bluetooth device that receives broadcast information from a Connectionless Peripheral Broadcast Transmitter. The device is a Peripheral of the piconet.
Connectionless Peripheral Broadcast Transmitter	A Bluetooth device that sends Connectionless Peripheral Broadcast messages for reception by one or more Connectionless Peripheral Broadcast receivers. The device is the Central of the piconet.
Controller	A collective term referring to all of the layers below HCI.
Coverage area	The area where two Bluetooth devices can exchange messages with acceptable quality and performance.
Creation of a secure connection	A procedure of establishing a connection, including authentication and encryption.
Creation of a trusted relationship	A procedure where the remote device is marked as a trusted device. This includes storing a common link key for future authentication, or pairing, when a link key is not available.
Device discovery	A procedure for retrieving the Bluetooth Device Address, clock, and Class of Device from discoverable devices.
Discoverable device	A BR/EDR device in range that periodically listens on an inquiry scan physical channel and will respond to an inquiry on that channel. An LE device in range that is advertising with a connectable or scannable advertising event with a discoverable flag set in the advertising data. This device is in the discoverable mode.

Table 1.1: Nomenclature (Sheet 3 of 7)



Discoverable Mode	A Bluetooth device that is performing inquiry scans in BR/EDR or advertising with a discoverable or connectable advertising event with a discoverable flag set in LE.
Discovery procedure	A Bluetooth device that is carrying out the inquiry procedure in BR/EDR or scanning for advertisers using a discoverable or connectable advertising event with a discoverable flag set in LE.
HCI	The Host Controller interface (HCI) provides a command interface to the baseband Controller and link manager and access to hardware status and control registers. This interface provides a uniform method of accessing the Bluetooth baseband capabilities.
Host	A logical entity defined as all of the layers below the non-core profiles and above the Host Controller interface (HCI); i.e., the layers specified in Volume 3 . A Bluetooth Host attached to a Bluetooth Controller may communicate with other Bluetooth Hosts attached to their Controllers as well.
Initiator	A Bluetooth Low Energy device that listens on advertising physical channels for connectable advertising events to form connections.
Inquiring device	A BR/EDR device that is carrying out the inquiry procedure. This device is performing the discovery procedure.
Inquiry	A procedure where a Bluetooth device transmits inquiry messages and listens for responses in order to discover the other Bluetooth devices that are within the coverage area.
Inquiry scan	A procedure where a Bluetooth device listens for inquiry messages received on its inquiry scan physical channel.
Interoperability	The ability of two or more devices to exchange information and to use the information that has been exchanged.
Isochronous data	Information in a stream where each information entity in the stream is bound by a time relationship to previous and successive entities.
Known device	A Bluetooth device for which at least the BD_ADDR is stored.
L2CAP	Logical Link Control and Adaptation Protocol
L2CAP Channel	A logical connection on L2CAP level between two devices serving a single application or higher layer protocol.
L2CAP Channel establishment	A procedure for establishing a logical connection on L2CAP level.
LE	Bluetooth Low Energy

Table 1.1: Nomenclature (Sheet 4 of 7)



Link	Shorthand for a logical link.
Link establishment	A procedure for establishing the default ACL link and hierarchy of links and channels between devices.
Link key	A secret key that is known by two devices and is used to authenticate the link.
LMP authentication	An LMP level procedure for verifying the identity of a remote device.
LMP pairing	A procedure that authenticates two devices and creates a common link key that can be used as a basis for a trusted relationship or a (single) secure connection.
Logical link	The lowest architectural level used to offer independent data transport services to clients of the Bluetooth system.
Logical transport	Shared acknowledgment protocol and link identifiers between different logical links.
Name discovery	A procedure for retrieving the user-friendly name (the Bluetooth Device Name) of a connectable device.
Packet	Format of aggregated bits that are transmitted on a physical channel.
Page	The initial phase of the connection procedure where a device transmits a train of page messages until a response is received from the target device or a time-out occurs.
Page scan	A procedure where a device listens for page messages received on its page scan physical channel.
Paging device	A Bluetooth device that is carrying out the page procedure.
Paired device	A Bluetooth device for which a link key has been created (either before connection establishment was requested or during connecting phase).
Passkey	A 6-digit number used to authenticate connections when Secure Simple Pairing is used.
Periodic advertising synchronization information	The control information describing a periodic advertisement that a Bluetooth Low Energy device uses to synchronize to the advertisement it describes.
Physical Channel	Characterized by synchronized occupancy of a sequence of RF carriers by one or more devices. A number of physical channel types exist with characteristics defined for their different purposes.
Physical link	A Baseband or Link Layer level connection between two devices.
Physical Transport	PHY packet transmission and/or reception on an RF channel using one or more modulation schemes.

Table 1.1: Nomenclature (Sheet 5 of 7)



Piconet	A collection of devices (up to eight devices in BR/EDR, exactly two devices in LE) occupying a shared physical channel where one of the devices is the Piconet Central and the remaining devices are connected to it.
Piconet Central	The BR/EDR device in a piconet whose Bluetooth Clock and Bluetooth Device Address are used to define the piconet physical channel characteristics. The LE device in a piconet which initiates the creation of the piconet, chooses the Access Address that identifies the piconet, and transmits first in each connection event.
Piconet Peripheral	Any BR/EDR device in a piconet that is not the Piconet Central, but is connected to the Piconet Central. The LE device in a piconet which is not the Central but communicates with it.
PIN	A user-friendly number that can be used to authenticate connections to a device before pairing has taken place.
Profile Broadcast Data (PBD)	A logical link that carries data from a Connectionless Peripheral Broadcast Transmitter to one or more Connectionless Peripheral Broadcast Receivers.
Resolving List	A list of records used to generate and resolve Resolvable Private Addresses. Each record contains a local Identity Resolving Key, a peer Identity Resolving Key, and a peer Identity Address.
Scanner	A Bluetooth Low Energy device that listens for advertising events on the advertising physical channels.
Scatternet	Two or more piconets that have one or more devices in common.
Service discovery	Procedures for querying and browsing for services offered by or through another Bluetooth device.
Service Layer Protocol	A protocol that uses an L2CAP channel for transporting PDUs.
Silent device	A Bluetooth enabled device appears as silent to a remote device if it does not respond to inquiries made by the remote device.
Synchronization Scan Physical Channel	A physical channel that enables a Peripheral to receive synchronization train packets from a Central.
Synchronization Train	A series of packets transmitted on a set of fixed frequencies that deliver sufficient information for a receiving device to start receiving corresponding Connectionless Peripheral Broadcast packets or to recover the current piconet clock after missing a Coarse Clock Adjust.

Table 1.1: Nomenclature (Sheet 6 of 7)



Tick	(BR/EDR) the time between changes of the value of the Bluetooth Clock: 312.5 μ s.
U-plane	User plane
Unknown device	A Bluetooth device for which no information (Bluetooth Device Address, link key or other) is stored.

Table 1.1: Nomenclature (Sheet 7 of 7)



2 CORE SYSTEM ARCHITECTURE

The Bluetooth Core system consists of a Host and a Controller. A minimal implementation of the Bluetooth BR/EDR core system covers the four lowest layers and associated protocols defined by the Bluetooth specification as well as one common service layer protocol; the Service Discovery Protocol (SDP) and the overall profile requirements are specified in the Generic Access Profile (GAP). A minimal implementation of a Bluetooth LE only core system covers the four lowest layers and associated protocols defined by the Bluetooth specification as well as two common service layer protocols; the Security Manager (SM) and Attribute Protocol (ATT) and the overall profile requirements are specified in the Generic Attribute Profile (GATT) and Generic Access Profile (GAP). Implementations combining Bluetooth BR/EDR and LE include both of the minimal implementations described above.

A complete Bluetooth application requires a number of additional service and higher layer protocols that are defined in the Bluetooth specification, but are not described here. The core system architecture is shown in [Figure 2.1](#).

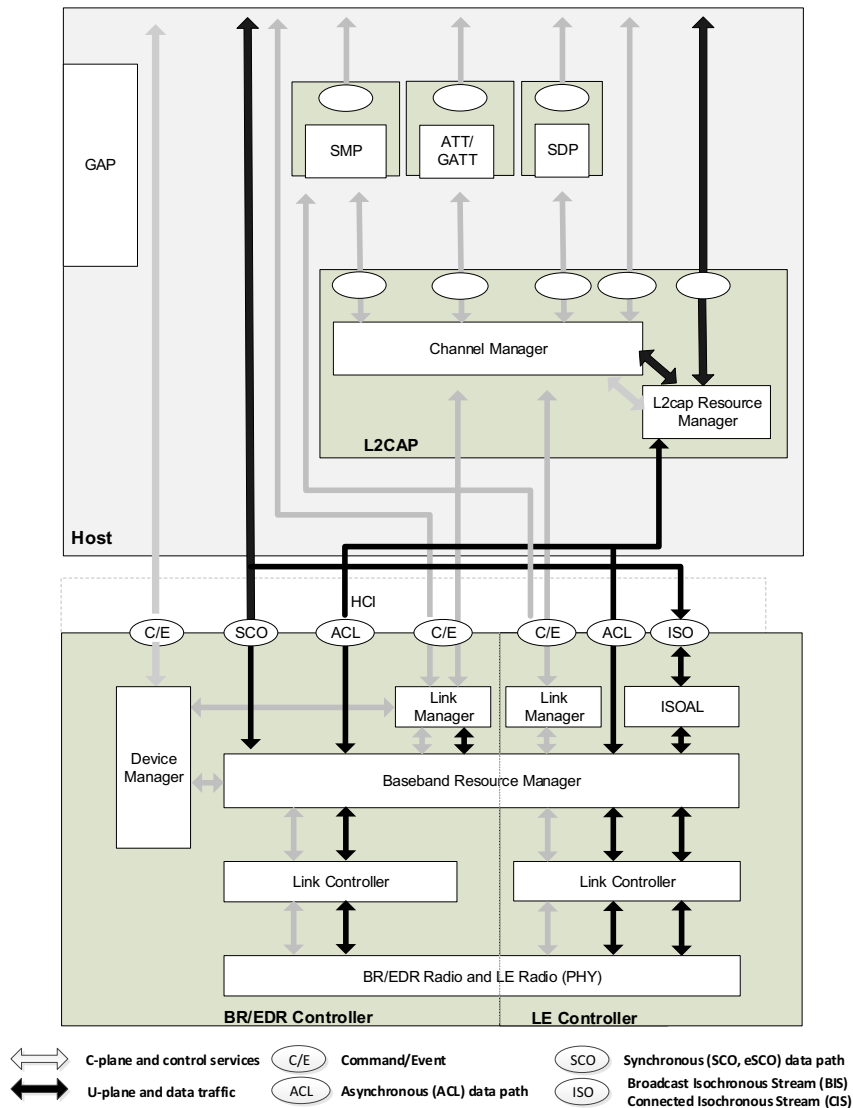


Figure 2.1: Bluetooth core system architecture

Figure 2.1 shows the Core blocks, each with its associated communication protocol. Link Manager, Link Controller and BR/EDR Radio blocks comprise a BR/EDR Controller. Link Manager, Link Controller and LE Radio blocks comprise an LE Controller. L2CAP, SDP and GAP blocks comprise a BR/EDR Host. L2CAP, SMP, Attribute Protocol, GAP and Generic Attribute Profile (GATT) blocks comprise an LE Host. A BR/EDR/LE Host combines the set of blocks from each respective Host. This is a common implementation involving a standard physical communication interface between the Controller and the Host. Although this interface is optional the architecture is designed to allow for its existence and characteristics. The Bluetooth specification enables interoperability between independent Bluetooth systems by defining the protocol messages exchanged between equivalent layers, and also interoperability between independent Bluetooth Controllers and Bluetooth



Hosts by defining a common interface between Bluetooth Controllers and Bluetooth Hosts.

A number of functional blocks and the path of services and data between them are shown. The functional blocks shown in the diagram provide a set of conceptual entities that are used when describing the requirements of the specification; in general the Bluetooth specification does not define the details of implementations except where this is required for interoperability. Thus the functional blocks in [Figure 2.1](#) are shown in order to aid description of the system behavior. An implementation may be different from the system shown in [Figure 2.1](#).

Standard interactions are defined for all inter-device operation, where Bluetooth devices exchange protocol signaling according to the Bluetooth specification. The Bluetooth core system protocols are the Radio (PHY) protocol, Link Control (LC) and Link Manager (LM) protocol or Link Layer (LL) protocol, and Logical Link Control and Adaptation protocol (L2CAP), all of which are fully defined in subsequent parts of the Bluetooth specification. In addition, the Service Discovery protocol (SDP) and the Attribute Protocol (ATT) are service layer protocols that may be required by some Bluetooth applications.

The Bluetooth core system offers services through a number of service access points that are shown in the diagram as ellipses. These services consist of the basic primitives that control the Bluetooth core system. The services can be split into three types. There are device control services that modify the behavior and modes of a Bluetooth device, transport control services that create, modify and release traffic bearers (channels and links), and data services that are used to submit data for transmission over traffic bearers. It is common to consider the first two as belonging to the C-plane and the last as belonging to the U-plane.

A service interface to the Bluetooth Controller is defined such that the Controller may be considered a standard part. In this configuration the Bluetooth Controller operates the lowest four layers. The Bluetooth Host operates the L2CAP layer and other higher layers. The standard interface is called the Host Controller interface (HCI) and its service access points are represented by the ellipses on the upper edge of the Bluetooth Controller in [Figure 2.1](#). Implementation of this standard service interface is optional.

As the Bluetooth architecture is defined with the possibility of separate Host and Controller(s) communicating through one or more HCI transports, a number of general assumptions are made. Bluetooth Controllers are assumed to have limited data buffering capabilities in comparison with the Host. Therefore the L2CAP layer is expected to carry out some simple resource management when submitting L2CAP PDUs to the Controller for transport to a peer device. This includes segmentation of L2CAP SDUs into more manageable PDUs and then the fragmentation of PDUs into start and continuation packets of a size suitable for the Controller buffers, and



management of the use of Controller buffers to ensure availability for channels with Quality of Service (QoS) commitments.

The BR/EDR Baseband and LE Link Layer provide the basic acknowledgment/repeat request (ARQ) protocol in Bluetooth. The L2CAP layer can optionally provide a further error detection and retransmission to the L2CAP PDUs. This feature is recommended for applications with requirements for a low probability of undetected errors in the user data. A further optional feature of L2CAP is a window-based flow control that can be used to manage buffer allocation in the receiving device. Both of these optional features augment the QoS performance in certain scenarios. Not all of the L2CAP capabilities are available when using the LE system.

Although these assumptions are not always required for embedded Bluetooth implementations that combine all layers in a single system, the general architectural and QoS models are defined with these assumptions in mind, in effect a lowest common denominator.

Automated conformance testing of implementations of the Bluetooth core system is required. This is achieved by allowing the tester to control the implementation through the PHY interface, test interfaces such as Direct Test Mode (DTM), and test commands and events over HCI which are only required for conformance testing.

The tester exchanges messages with the Implementation Under Test (IUT) through the PHY interface to ensure the correct responses to requests from remote devices. The tester controls the IUT through HCI, DTM, or test commands to cause the IUT to originate exchanges through the PHY interface so that these can also be verified as conformant.

2.1 CORE ARCHITECTURAL BLOCKS

This section describes the function and responsibility of each of the blocks shown in [Figure 2.1](#). An implementation is not required to follow the architecture described above, though every implementation is still required to conform to the protocol specifications, behaviors, and other requirements specified in subsequent parts of the Bluetooth specification.

2.1.1 Host architectural blocks

2.1.1.1 Channel manager

The channel manager is responsible for creating, managing and closing L2CAP channels for the transport of service protocols and application data streams. The channel manager uses the L2CAP protocol to interact with a channel manager on a remote (peer) device to create these L2CAP channels and connect their endpoints to the appropriate entities. The channel manager interacts with its local link manager to create new logical links (if necessary)



and to configure these links to provide the required quality of service for the type of data being transported.

2.1.1.2 L2CAP resource manager

The L2CAP resource manager block is responsible for managing the ordering of submission of PDU fragments to the baseband and some relative scheduling between channels to ensure that L2CAP channels with QoS commitments are not denied access to the physical channel due to Controller resource exhaustion. This is required because the architectural model does not assume that a Controller has limitless buffering, or that the HCI is a pipe of infinite bandwidth.

L2CAP Resource Managers may also carry out traffic conformance policing to check that applications are submitting L2CAP SDUs within the bounds of their negotiated QoS settings. The general Bluetooth data transport model assumes well-behaved applications, and does not define how an implementation is expected to deal with this problem.

2.1.1.3 Security Manager Protocol

The Security Manager Protocol (SMP) is the peer-to-peer protocol used to generate encryption keys and identity keys. The protocol operates over a dedicated fixed L2CAP channel. The SMP block also manages storage of the encryption keys and identity keys and is responsible for generating random addresses and resolving random addresses to known device identities. The SMP block interfaces directly with the Controller to provide stored keys used for encryption and authentication during the encryption or pairing procedures.

This block is only used in LE systems. Similar functionality in the BR/EDR system is contained in the Link Manager block in the Controller. SMP functionality is in the Host on LE systems to reduce the implementation cost of the LE only Controllers.

2.1.1.4 Attribute Protocol

The Attribute Protocol (ATT) block implements the peer-to-peer protocol between an ATT Server and an ATT Client. The ATT Client communicates with an ATT Server on a remote device over a dedicated fixed L2CAP channel. The ATT Client sends commands, requests, and confirmations to the ATT Server. The ATT Server sends responses, notifications and indications to the client. These ATT Client commands and requests provide a means to read and write values of attributes on a peer device with an ATT Server.

2.1.1.5 [This section is no longer used]

2.1.1.6 Generic Attribute Profile

The Generic Attribute Profile (GATT) block represents the functionality of the ATT Server and, optionally, the ATT Client. The profile describes the hierarchy



of services, characteristics and attributes used in the ATT Server. The block provides interfaces for discovering, reading, writing and indicating of service characteristics and attributes. GATT is used on LE devices for LE profile service discovery.

2.1.1.7 Generic Access Profile

The Generic Access Profile (GAP) block represents the base functionality common to all Bluetooth devices such as modes and access procedures used by the transports, protocols and application profiles. GAP services include device discovery, connection modes, security, authentication, association models and service discovery.

2.1.2 BR/EDR/LE Controller architectural blocks

In implementations where the BR/EDR and LE systems are combined, the architectural blocks may be shared between systems or each system may have their own instantiation of the block.

2.1.2.1 Device manager

The device manager is the functional block in the baseband that controls the general behavior of the Bluetooth device. It is responsible for all operations of the Bluetooth system that are not directly related to data transport, such as inquiring for the presence of nearby Bluetooth devices, connecting to Bluetooth devices, or making the local Bluetooth device discoverable or connectable by other devices.

The device manager requests access to the transport medium from the baseband resource Controller in order to carry out its functions.

The device manager also controls local device behavior implied by a number of the HCI commands, such as managing the device local name, any stored link keys, and other functionality.

2.1.2.2 Link manager

The link manager is responsible for the creation, modification and release of logical links (and, if required, their associated logical transports), as well as the update of parameters related to physical links between devices. The link manager achieves this by communicating with the link manager in remote Bluetooth devices using the Link Manager Protocol (LMP) in BR/EDR and the Link Layer Protocol (LL) in LE.

The LM or LL protocol allows the creation of new logical links and logical transports between devices when required, as well as the general control of link and transport attributes such as the enabling of encryption on the logical transport, the adapting of transmit power on the physical link, or the adjustment of QoS settings in BR/EDR for a logical link.



2.1.2.3 Baseband resource manager

The baseband resource manager is responsible for all access to the radio medium. It has two main functions. At its heart is a scheduler that grants time on the physical channels to all of the entities that have negotiated an access contract. The other main function is to negotiate access contracts with these entities. An access contract is effectively a commitment to deliver a certain QoS that is required in order to provide a user application with an expected performance.

The access contract and scheduling function must take account of any behavior that requires use of the Controller. This includes (for example) the normal exchange of data between connected devices over logical links, and logical transports, as well as the use of the radio medium to carry out inquiries, make connections, be discoverable or connectable, or to take readings from unused carriers during the use of adaptive frequency hopping mode.

In some cases in BR/EDR systems the scheduling of a logical link results in changing a logical link to a different physical channel from the one that was previously used. This may be (for example) due to involvement in scatternet, a periodic inquiry function, or page scanning. When the physical channels are not time slot aligned, then the resource manager also accounts for the realignment time between slots on the original physical channel and slots on the new physical channel. In some cases the slots will be naturally aligned due to the same device clock being used as a reference for both physical channels.

2.1.2.4 Link Controller

The Link Controller is responsible for the encoding and decoding of Bluetooth packets from the data payload and parameters related to the physical channel, logical transport and logical link.

The Link Controller carries out the link control protocol signaling in BR/EDR and Link Layer protocol in LE (in close conjunction with the scheduling function of the resource manager), which is used to communicate flow control and acknowledgment and retransmission request signals. The interpretation of these signals is a characteristic of the logical transport associated with the baseband packet. Interpretation and control of the link control signaling is normally associated with the resource manager's scheduler.

2.1.2.5 PHY

The PHY block is responsible for transmitting and receiving packets of information on the physical channel. A control path between the baseband and the PHY block allows the baseband block to control the timing and frequency carrier of the PHY block. The PHY block transforms a stream of data to and from the physical channel and the baseband into required formats.



2.1.2.6 Isochronous Adaptation Layer

The Isochronous Adaptation Layer (ISOAL) enables the upper layer to send or receive isochronous data to or from the Link Layer in a flexible way such that the size and interval of data packets in the upper layer can be different from the size and interval of data packets in the Link Layer. The ISOAL uses fragmentation/recombination or segmentation/reassembly operations to convert upper layer data units into lower layer data units (or the other way around).

2.1.3 [This section is no longer used]



3 DATA TRANSPORT ARCHITECTURE

The Bluetooth data transport system follows a layered architecture. This description of the Bluetooth system describes the Bluetooth core transport layers up to and including L2CAP channels. All Bluetooth operational modes follow the same generic transport architecture, which is shown in [Figure 3.1](#).

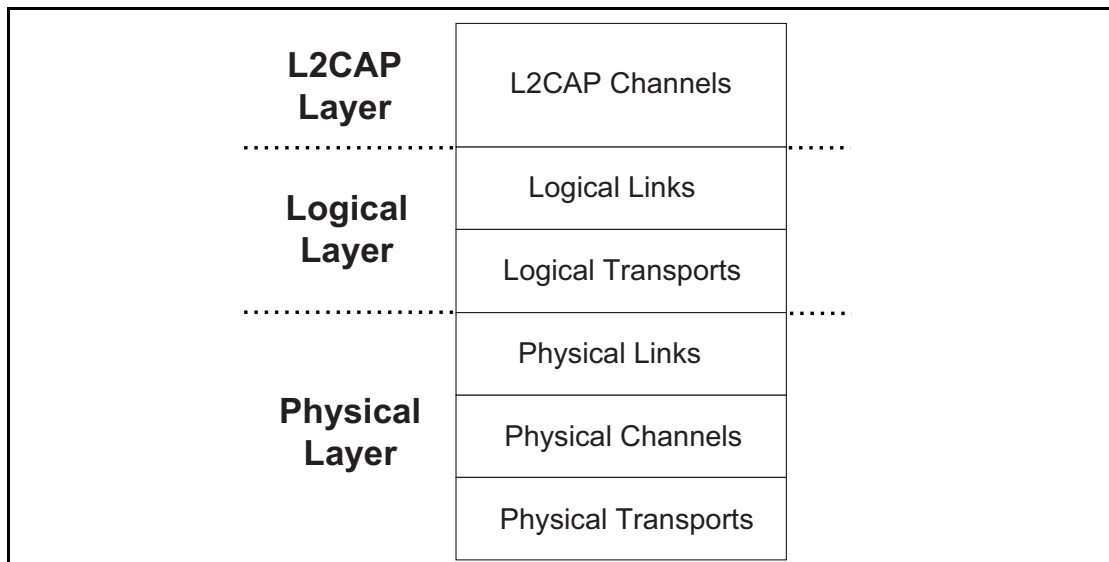


Figure 3.1: Bluetooth generic data transport architecture

For efficiency and legacy reasons, the Bluetooth transport architecture includes a sub-division of the logical layer, distinguishing between logical links and logical transports. This sub-division provides a general (and commonly understood) concept of a logical link that provides an independent transport between two or more devices. The logical transport sub-layer is required to describe the inter-dependence between some of the logical link types (mainly for reasons of legacy behavior).

The ACL, SCO, and eSCO connections are considered as logical transports but often behave as separate physical links. However, they are not as independent as might be desired, due to their shared use of resources such as the LT_ADDR and acknowledgment/repeat request (ARQ) scheme. Hence the architecture is incapable of representing these logical transports with a single transport layer. The additional logical transport layer goes some way towards describing this behavior.



3.1 CORE TRAFFIC BEARERS

The Bluetooth core system provides a number of standard traffic bearers for the transport of service protocol and application data. These are shown in [Figure 3.2](#) below (for ease of representation this is shown with higher layers to the left and lower layers to the right).

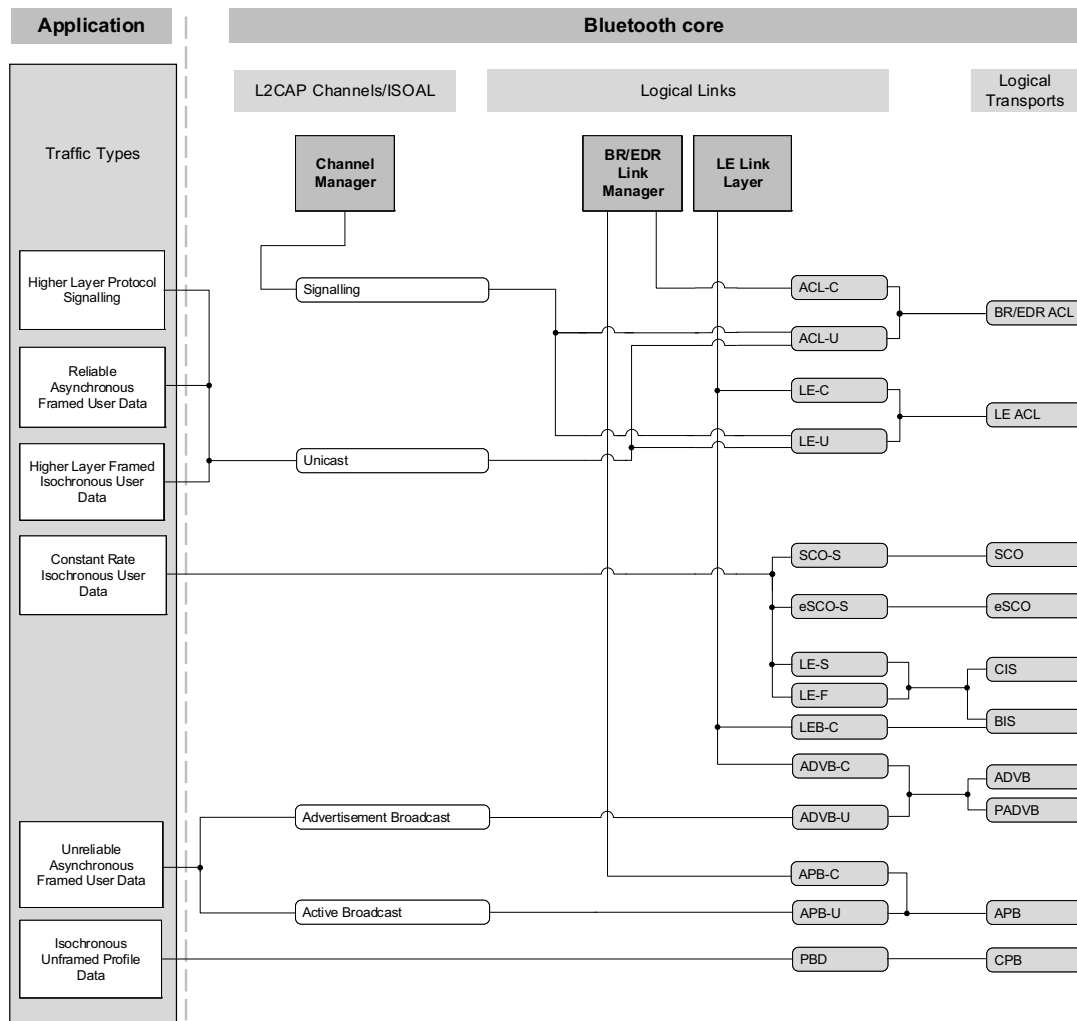


Figure 3.2: Bluetooth traffic bearers

The core traffic bearers that are available to applications are shown in [Figure 3.2](#) as the shaded rounded rectangles. The architectural layers that are defined to provide these services are described in [Section 2](#). A number of data traffic types are shown on the left of the diagram linked to the traffic bearers that are typically suitable for transporting that type of data traffic.

The logical links are named using the names of the associated logical transport and a suffix that indicates the type of data that is transported. (C for control links carrying LMP or LL messages, U for L2CAP links carrying user data (L2CAP PDUs) and S for stream links carrying unformatted synchronous or



isochronous data.) It is common for the suffix to be removed from the logical link without introducing ambiguity, thus a reference to the default ACL logical transport can be resolved to mean the ACL-C logical link in cases where the LMP protocol is being discussed, the LE-C logical link in cases where LL protocol is being discussed, or the ACL-U or LE-U logical links when the L2CAP layer is being discussed.

The mapping of application traffic types to Bluetooth core traffic bearers in [Figure 3.2](#) is based on matching the traffic characteristics with the bearer characteristics. It is recommended to use these mappings as they provide the most natural and efficient method of transporting the data with its given characteristics.

However, an application (or an implementation of the Bluetooth core system) may choose to use a different traffic bearer, or a different mapping to achieve a similar result. For example, in a BR/EDR piconet with only one Peripheral, the Central may choose to transport L2CAP broadcasts over the ACL-U logical link rather than over the APB-U logical link. This will probably be more efficient in terms of bandwidth (if the physical channel quality is not too degraded). Use of alternative transport paths to those in [Figure 3.2](#) is only acceptable if the characteristics of the application traffic type are preserved.

[Figure 3.2](#) shows a number of application traffic types. These are used to classify the types of data that may be submitted to the Bluetooth core system. The original data traffic type can be different from the type that is submitted to the Bluetooth core system if an intervening process modifies it. For example, video data is generated at a constant rate but an intermediate coding process may alter this to variable rate, e.g. by MPEG4 encoding. For the purposes of the Bluetooth core system, only the characteristic of the submitted data is of interest.

3.1.1 Framed data traffic

The L2CAP layer services provide a frame-oriented transport for asynchronous and isochronous user data. The application submits data to this service in variable-sized frames (up to a negotiated maximum for the channel) and these frames are delivered in the same form to the corresponding application on the remote device. There is no requirement for the application to insert additional framing information into the data, although it may do so if this is required (such framing is invisible to the Bluetooth core system).

Connection-oriented L2CAP channels may be created for transport of unicast (point-to-point) data between two Bluetooth devices. Connection-oriented channels provide a context within which specific properties may be applied to data transported on the channel. For example, quality of service parameters or flow and error control modes may be applied. Connection-oriented L2CAP channels are created using the L2CAP connection procedure.

A connectionless BR/EDR L2CAP channel exists for broadcasting data or for transport of unicast data. In the case of piconet topologies the Central is



always the source of broadcast data and the Peripheral(s) are the recipients. Broadcast traffic on the connectionless L2CAP channel is uni-directional. Unicast data sent on the connectionless L2CAP channels may be uni-directional or bi-directional. Unicast data sent on the L2CAP connectionless channel provides an alternate mechanism to send data with the same level of reliability as an L2CAP connection-oriented channel operating in Basic mode but without the additional latency incurred by opening an L2CAP connection-oriented channel. LE L2CAP connectionless channels are not supported.

BR/EDR L2CAP channels have an associated QoS setting that defines constraints on the delivery of the frames of data. These QoS settings may be used to indicate (for example) that the data is isochronous, and therefore has a limited lifetime after which it becomes invalid, or that the data should be delivered within a given time period, or that the data is reliable and should be delivered without error, however long this takes.

Some L2CAP channels are fixed channels created when the ACL-U and/or LE-U logical links are established. These fixed channels have fixed channel identifiers and fixed configurations and do not permit negotiation of the configuration after they are created. These fixed channels are used for BR/EDR and LE L2CAP signaling (ACL-U or LE-U), connectionless channel (ACL-U and APB-U), Security Manager Protocol (LE-U), and Attribute Protocol (ACL-U or LE-U).

The L2CAP channel manager is responsible for arranging to transport the L2CAP channel data frames on an appropriate baseband logical link, possibly multiplexing this onto the baseband logical link with other L2CAP channels with similar characteristics.

3.1.2 Unframed data traffic

If the application does not require delivery of data in frames, possibly because it includes in-stream framing, or because the data is a pure stream, then it may avoid the use of L2CAP channels and make direct use of a baseband logical link.

The Bluetooth core system supports the direct transport of application data that is isochronous and of a constant rate (either bit-rate, or frame-rate for pre-framed data), using a SCO-S or eSCO-S logical link. These logical links reserve physical channel bandwidth and provide a constant rate transport locked to the piconet clock. Data is transported in fixed size packets at fixed intervals with both of these parameters negotiated during channel establishment. eSCO links provide a greater choice of bit-rates and also provide greater reliability by using limited retransmission in case of error. Enhanced Data Rate operation is supported for eSCO, but not for SCO logical transports. SCO and eSCO logical transports do not support multiplexed logical links or any further layering within the Bluetooth core. An application may choose to layer a number of streams within the submitted SCO/eSCO



stream, provided that the submitted stream is, or has the appearance of being, a constant rate stream.

The Bluetooth core system also supports the direct transport of application data using a Profile Broadcast Data (PBD) logical link. This logical link is similar to SCO-S and eSCO-S since it reserves physical channel bandwidth, provides a constant rate transport locked to the piconet clock, and transports data at fixed intervals. It does not support multiplexed logical links or any further layering within the Bluetooth core but, unlike SCO-S and eSCO-S, it supports broadcasting data from a single transmitter to many receivers.

The application chooses the most appropriate type of logical link from those available at the baseband, and creates and configures it to transport the data stream, and releases it when completed. (The application will normally also use a framed L2CAP unicast channel to transport its C-plane information to the peer application on the remote device.)

If the application data is isochronous and of a variable rate, then this may only be carried by the L2CAP unicast channel, and hence will be treated as framed data.

Unframed data traffic is not supported in the LE system.

3.1.3 Reliability of traffic bearers

A link or channel is characterized as reliable if the receiver is capable of detecting errors in received packets and requesting retransmission until the errors are removed. This is known as an Automatic Repeat reQuest (ARQ) scheme. Due to the error detection systems used, some residual undetected errors may still remain in the received data. The rate at which these occur depends on the details of the error detection system.

A link or channel is characterized as unreliable if the receiver is not capable of detecting errors in received packets or if it can detect errors but cannot request retransmission. In the latter case (such as with most broadcast links), the packets passed on by the receiver to higher layers may be without error but there is no guarantee that all the packets that were sent are received. Uses for unreliable links are normally dependent on techniques to improve the redundancy of the transmission, such as the use of Forward Error Correction or the repetition of data from the higher layers while the data is valid, in order to increase the probability that the receiver is able to receive at least one of the copies successfully.

3.1.3.1 BR/EDR reliability

Bluetooth is a wireless communications system. In poor RF environments, this system should be considered inherently unreliable. To counteract this the system provides levels of protection at each layer. The baseband packet header uses forward error correcting (FEC) coding to allow error correction by



the receiver and a header error check (HEC) to detect errors remaining after correction. Certain Baseband packet types include FEC for the payload. Furthermore, some Baseband packet types include a cyclic redundancy error check (CRC).

On ACL logical transports the results of the error detection algorithm are used to drive a simple ARQ protocol. This provides an enhanced reliability by re-transmitting packets that do not pass the receiver's error checking algorithm. It is possible to modify this scheme to support latency-sensitive packets by discarding an unsuccessfully transmitted packet at the transmitter if the packet's useful life has expired. eSCO links use a modified version of this scheme to improve reliability by allowing a limited number of retransmissions.

The resulting reliability gained by this ARQ scheme is only as dependable as the ability of the HEC and CRC codes to detect errors. In most cases this is sufficient, however it has been shown that for the longer packet types the probability of an undetected error is too high to support typical applications, especially those with a large amount of data being transferred.

The L2CAP layer provides an additional level of error control that is designed to detect the occasional errors not detected by the baseband and request retransmission of the affected data. This provides the level of reliability required by typical Bluetooth applications. The resulting rate of residual errors is comparable to the rate in other communication systems.

The transmitter may remove packets from the transmit queue such that the receiver does not receive all the packets in the sequence. If this happens detection of the missing packets is delegated to the L2CAP layer.

Stream links have a reliability characteristic somewhere between a reliable and an unreliable link, depending on the current operating conditions.

3.1.3.2 LE reliability

Like BR/EDR, in poor RF environments, the LE system should be considered inherently unreliable. To counteract this, the system provides levels of protection at each layer. The LL packet uses a 24-bit cyclic redundancy error check (CRC) to cover the contents of the packet payload. If the CRC verification fails on the packet payload, the packet is not acknowledged by the receiver and the packet gets retransmitted by the sender.

Because of the longer CRC and the shorter typical message compared with BR/EDR, it is not necessary for the L2CAP layer to provide a separate error detection and retransmission mechanism.

3.1.3.3 [This section is no longer used]



3.2 TRANSPORT ARCHITECTURE ENTITIES

The Bluetooth transport architecture entities are shown in [Figure 3.3](#) and are described from the lowest layer upwards in the subsequent sections.

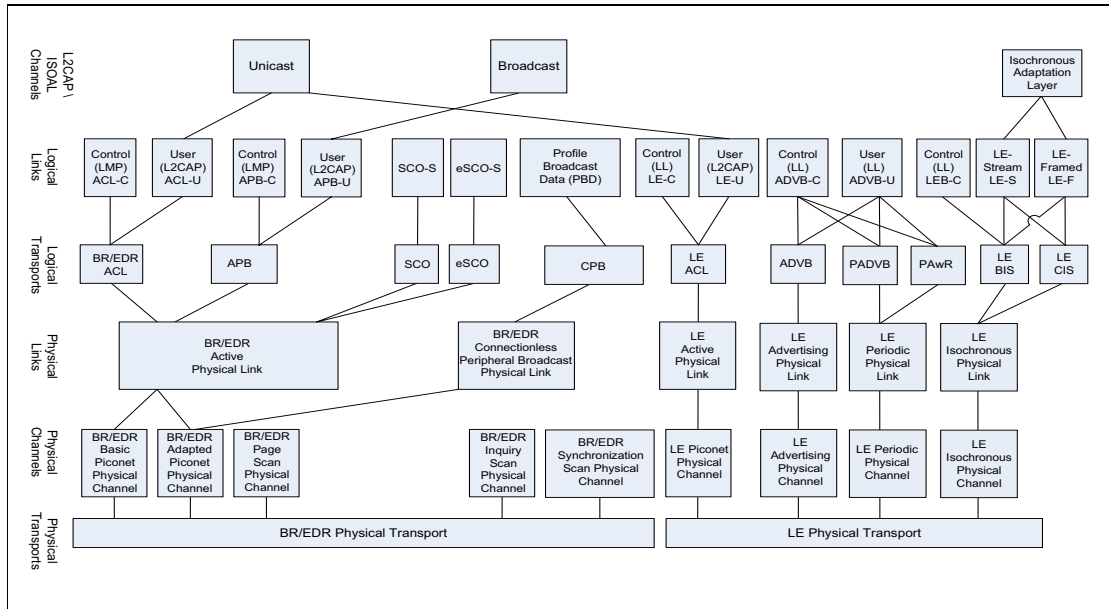


Figure 3.3: Overview of transport architecture entities and hierarchy

The BR/EDR Physical Transport encapsulates the BR/EDR Physical Channels. Transfers using the BR/EDR Physical Transport use the BR/EDR Generic Packet Structure. The LE Physical Transport encapsulates the LE Physical Channels. Transfers using the LE Physical Transport use the LE Generic Packet Structure.

3.2.1 BR/EDR generic packet structure

The generic packet structure nearly reflects the architectural layers found in the Bluetooth BR/EDR system. The BR/EDR packet structure is designed for optimal use in normal operation. It is shown in [Figure 3.4](#).

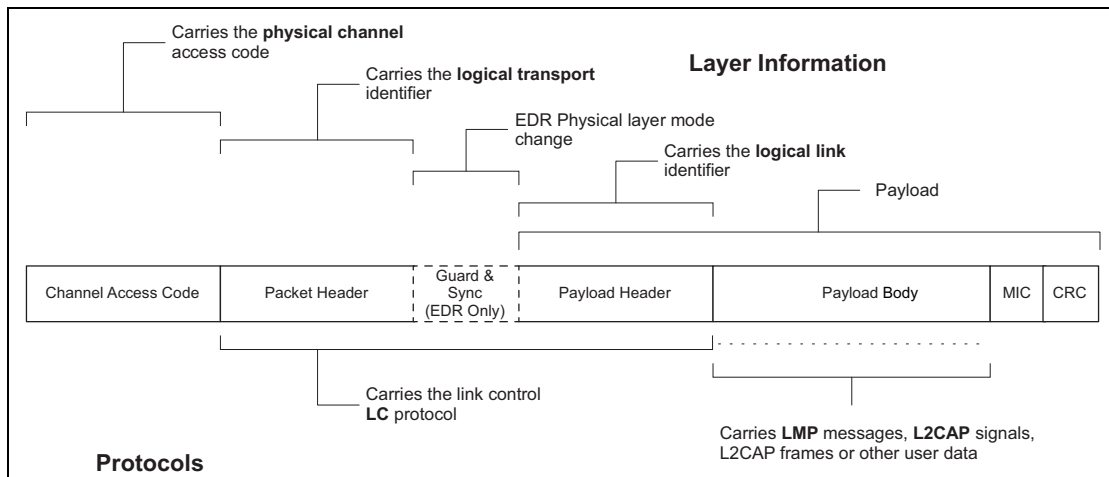


Figure 3.4: BR/EDR packet structure

Packets normally only include the fields that are necessary to represent the layers required by the transaction. Thus a simple inquiry request over an inquiry scan physical channel does not create or require a logical link or higher layer and therefore consists only of the channel access code (associated with the physical channel).

All packets include the channel access code. This is used to identify communications on a particular physical channel, and to exclude or ignore packets on a different physical channel that happens to be using the same RF carrier in physical proximity.

There is no direct field within the BR/EDR packet structure that represents or contains information relating to physical links. This information is implied by the combination of the logical transport address (LT_ADDR) carried in the packet header and the channel access code (CAC).

Most BR/EDR packets include a packet header. The packet header is always present in packets transmitted on physical channels that support physical links, logical transports and logical links. The packet header carries the LT_ADDR, which is used by each receiving device to determine if the packet is addressed to the device and is used to route the packet internally.

The BR/EDR packet header also carries part of the link control (LC) protocol that is operated per logical transport (except for ACL and SCO transports that operate a shared LC protocol carried on either logical transport).

The Enhanced Data Rate (EDR) packets have a guard time and synchronization sequence before the payload. This is a field used for physical layer change of modulation scheme.

The payload header is present in all packets on logical transports that support multiple logical links. The payload header includes a logical link identifier field used for routing the payload, and a field indicating the length of the payload



body. Some packet types also include a CRC at the end of the packet payload that is used to detect most errors in received packets. When AES-CCM encryption is enabled, ACL packets include a Message Integrity Check (MIC) just prior to the CRC.

EDR packets have a trailer after the CRC.

The packet payload body is used to transport the user data. The interpretation of this data is dependent on the logical transport and logical link identifiers. For ACL logical transports Link Manager protocol (LMP) messages and L2CAP signals are transported in the packet payload body, along with general user data from applications.

For SCO, eSCO, and CPB logical transports the payload body contains the user data for the logical link.

3.2.2 LE generic packet structure

LE radio operation is based on three PHYs and makes use of two modulation schemes. [Table 3.1](#) summarizes the properties of each of the LE PHYs. Each packet transmitted uses a single PHY. Each PHY uses a single modulation scheme. Two of the PHYs are uncoded - that is, each bit maps directly to a single radio symbol in the packet - while the third PHY is error correction coded. There are two coding schemes: S=8 and S=2, where S is the number of symbols per bit.

PHY	Modulation scheme	Coding scheme		Data rate
		Access Header	Payload	
LE 1M	1 Msym/s modulation	Uncoded	Uncoded	1 Mb/s
LE 2M	2 Msym/s modulation	Uncoded	Uncoded	2 Mb/s
LE Coded	1 Msym/s modulation	S=8	S=8	125 kb/s
			S=2	500 kb/s

Table 3.1: Summary of PHYs, modulation schemes, and coding schemes

The "Access Header" referred to in [Table 3.1](#) includes all the bits in the packet format associated with the particular PHY prior to the start of the PDU Header but not including the preamble. The preamble is excluded as this is uncoded for all PHYs.

The "Payload" referred to in [Table 3.1](#) includes all the bits in the packet format from the PDU Header to the end of the packet.

The general structure of the Link Layer Air Interface packet closely reflects the architectural layers found in the LE system. The packet structure for the LE



Uncoded PHYs is designed for optimal use in normal operation and is shown in [Figure 3.5](#).

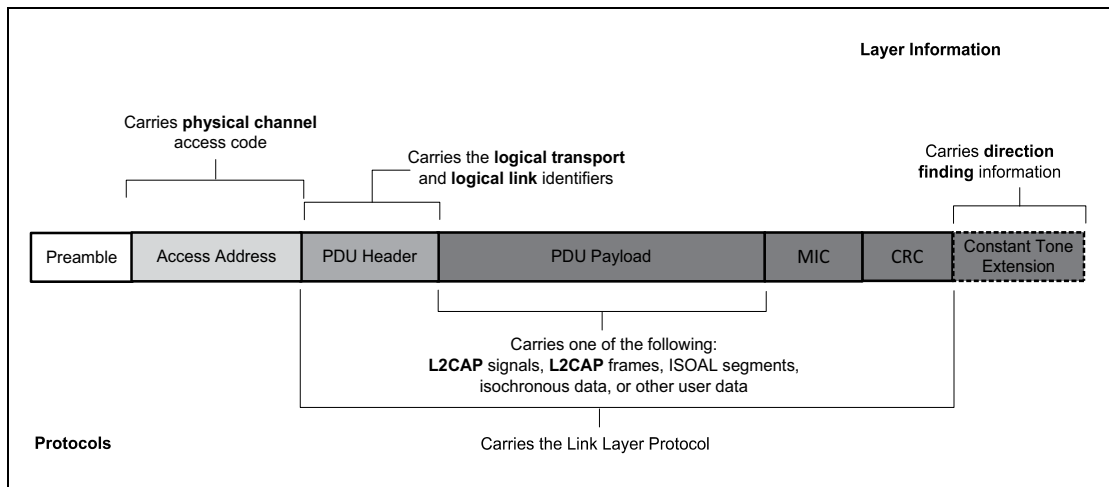


Figure 3.5: The packet structure for the LE Uncoded PHYs

The packet structure for the LE Coded PHY is designed for optimal use in extended range operation and is shown in [Figure 3.6](#).

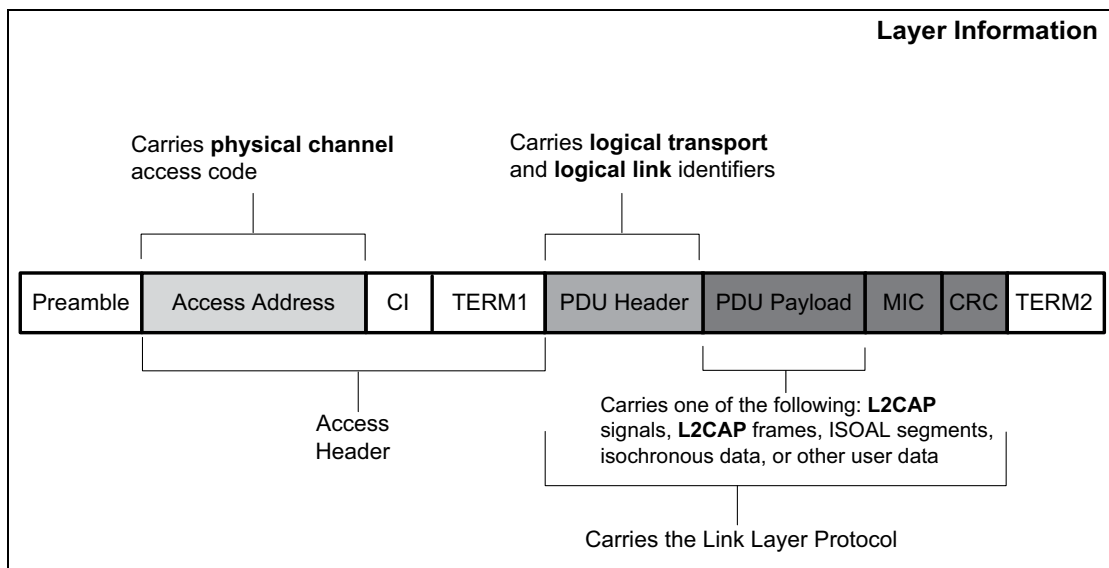


Figure 3.6: The packet structure for the LE Coded PHY

When using the LE Coded PHY, it is recommended to carefully consider the impact of radio-on time for power consumption and duty cycle for scheduling and coexistence over the air. The LE Coded PHY with S=8 coding (125 kb/s) represents the worst case, when considering radio-on time and duty cycle, where each packet sent over the air will be approximately 8 times larger than LE 1M.

[Table 3.2](#) illustrates the on-air time of advertising events with different sizes of AdvData. The first is using connectable and scannable undirected advertising



events where the AdvData is sent on the primary advertising physical channel. The second is using events where the AdvData is offloaded to the secondary advertising physical channel. The usage of the primary and secondary advertising physical channels is described in [Section 3.3.2.2](#). Numbers in parentheses are hypothetical and show cases that are not valid in a compliant implementation.

AdvData [Bytes]	Connectable Undirected Advertising event [µs]		Connectable Undirected Advertising event Using Offloading [µs]	
	LE 1M	LE Coded S=8	LE 1M	LE Coded S=8
0	384	(3,312)	568	4,864
15	744	(6,192)	688	5,824
31	1,128	(9,264)	816	6,848
100	(2,784)	(22,512)	1,368	11,264
245	(6,264)	(50,352)	2,528	20,544

Table 3.2: On-air time for various advertising events

Note: The events without offloading were calculated using three ADV_IND PDUs, while the events with offloading used three ADV_EXT_IND PDUs containing only the AuxPtr and ADI fields plus one AUX_ADV_IND PDU with the AdvA and ADI fields present and holding the AdvData.

Table 3.3 illustrates, for a range of payload sizes, the difference in Link Layer Data Physical Channel PDU packet durations for connections over the LE 1M PHY and LE Coded PHY with S=8 coding. Connection duty cycle for a specific implementation may be easily calculated from this information.

Payload [bytes]	LL Data Physical Channel PDU [µs]	
	LE 1M	LE Coded S=8
0	80	720
15	200	1,680
31	328	2,704
100	880	7,120
255	2,120	17,040

Table 3.3: On-air time for various data physical channel packets not containing Constant Tone Extensions

The physical link identifier is not contained in the Link Layer Air Interface packet. The physical channel identifiers are either fixed, are determined at connection setup, or are determined at periodic advertising setup. All LE packets include the Access Address. This is used to identify communications



on a physical channel, and to exclude or ignore packets on different physical channels that are using the same PHY channels in physical proximity. The Access Address determines whether the packet is directed to the advertising physical channel (and thus an advertising physical link) used for non-periodic advertising, the periodic physical channel used for periodic advertising, or to a piconet physical channel (and thus an active physical link to a device). The LE advertising physical channel used for non-periodic advertising uses a fixed Access Address. The LE periodic physical channel used for periodic advertising and LE piconet physical channels use a randomly generated 32-bit value as their Access Address. This provides a high number of periodic advertising trains and a high number of active devices that can be addressed in an LE periodic advertisement or an LE piconet.

All LE packets include a PDU header. The PDU header determines the type of advertisement broadcast or logical link carried over the physical channel.

For advertising physical channel PDUs, the PDU header contains the type of advertisement payload, the device address type for addresses contained in the advertisement, and the advertising physical channel PDU payload length. Most advertising physical channel PDU payloads contain the advertiser's address and advertising data. One advertising physical channel PDU payload only contains the advertiser's device address and the initiator's device address in which the advertisement is directed. Advertising physical channel PDUs with scan requests payloads contain the scanner's device address and the advertiser's device address. Advertising physical channel PDUs with scan responses contain advertiser's device address and the scan response data. Advertising physical channel PDUs with connection request payloads contain the initiator's device address, advertiser's device address and connection setup parameters.

For Data Physical Channel PDUs, the PDU header contains the Logical Link Identifier (LLID), the Next Expected Sequence Number (NESN), Sequence Number (SN), More Data (MD), CTEInfo Present (CP), payload length, and may contain CTEInfo. For Data Physical Channel PDUs that contain control commands, the Data Channel PDU payload contains a command opcode and control data that is specific to the command. There is an optional Message Integrity Check (MIC) value that is used to authenticate the data PDU. For Data Physical Channel PDUs that are data, the Data Physical Channel PDU payload contains L2CAP data.

An Isochronous Physical Channel PDU can be either a Connected Isochronous or Broadcast Isochronous PDU. A Connected Isochronous PDU contains a header and may contain an isochronous payload. The header field contains the Logical Link Identifier (LLID), Sequence Number (SN), Next Expected Sequence Number (NESN), Close Isochronous Event (CIE), Null PDU Indicator (NPI), and the payload length. A Connected Isochronous PDU may also contain a Message Integrity Check (MIC) field.



A Broadcast Isochronous PDU contains a header and either isochronous or control data. The header field contains the Logical Link Identifier (LLID), the Control Subevent Sequence Number (CSSN), the Control Subevent Transmission Flag (CSTF), and the payload length. The Broadcast Isochronous PDU may also contain a Message Integrity Check (MIC) field.

Both advertising physical channel packets and data physical channel packets can contain a Constant Tone Extension, which can be used for determining the relative direction of a received radio signal.

3.3 PHYSICAL CHANNELS

A number of types of physical channel are defined. All Bluetooth physical channels are characterized by a set of PHY frequencies combined with temporal parameters and restricted by spatial considerations. For the basic and adapted piconet physical channels frequency hopping is used to change frequency periodically to reduce the effects of interference and for regulatory reasons.

The Bluetooth BR/EDR system and LE system differ slightly in the way they use physical channels.

3.3.1 BR/EDR physical channels

In the BR/EDR core system, peer devices use a shared physical channel for communication. To achieve this their transceivers need to be tuned to the same PHY frequency at the same time, and they need to be within a nominal range of each other.

Given that the number of RF carriers is limited and that many Bluetooth devices may be operating independently within the same spatial and temporal area there is a strong likelihood of two independent Bluetooth devices having their transceivers tuned to the same RF carrier, resulting in a physical channel collision. To mitigate the unwanted effects of this collision each transmission on a physical channel starts with an access code that is used as a correlation code by devices tuned to the physical channel. This channel access code is a property of the physical channel. The access code is present at the start of every transmitted packet.

Several BR/EDR physical channels are defined. Each is optimized and used for a different purpose. Two of these physical channels (the basic piconet channel and adapted piconet channel) are used for communication between connected devices and are associated with a specific piconet. Other BR/EDR physical channels are used for discovering (the inquiry scan channel) and connecting (the page scan channel) Bluetooth devices. The synchronization scan physical channel is used by devices to obtain timing and frequency information about the Connectionless Peripheral Broadcast physical link or to recover the current piconet clock.



A Bluetooth device can only use one BR/EDR physical channel at any given time. In order to support multiple concurrent operations the device uses time-division multiplexing between the channels. In this way a Bluetooth device can appear to operate simultaneously in several piconets, as well as being discoverable and connectable.

Whenever a Bluetooth device is synchronized to the timing, frequency and access code of a physical channel it is said to be 'connected' to this channel (whether or not it is actively involved in communications over the channel). The Bluetooth specification assumes that a device is only capable of connecting to one physical channel at any time. Advanced devices may be capable of connecting simultaneously to more than one physical channel, but the specification does not assume that this is possible.

3.3.1.1 Basic piconet channel

3.3.1.1.1 Overview

The basic piconet channel is used for communication between connected devices during normal operation.

3.3.1.1.2 Characteristics

The basic piconet channel is characterized by a pseudo-random sequence hopping through the PHY channels. The hopping sequence is unique for the piconet and is determined by the Bluetooth Device Address of the Central. The phase in the hopping sequence is determined by the Bluetooth clock of the Central. All Bluetooth devices participating in the piconet are time- and hop-synchronized to the channel.

The channel is divided into time slots where each slot corresponds to an PHY hop frequency. Consecutive hops correspond to different PHY hop frequencies. The time slots are numbered according to the Bluetooth clock of the piconet Central. Packets are transmitted by Bluetooth devices participating in the piconet aligned to start at a slot boundary. Each packet starts with the channel access code, which is derived from the Bluetooth Device Address of the piconet Central.

On the basic piconet channel the Central controls access to the channel. The Central starts its transmission in even-numbered time slots only. Packets transmitted by the Central are aligned with the slot start and define the piconet timing. Packets transmitted by the Central may occupy up to five time slots depending on the packet type.

Each Central transmission is a packet carrying information on one of the logical transports. Peripherals may transmit on the physical channel in response. The characteristics of the response are defined by the logical transport that is addressed.



For example, on the asynchronous connection-oriented logical transport (ACL), the addressed Peripheral responds by transmitting a packet containing information for the same logical transport that is nominally aligned with the next (odd-numbered) slot start. Such a packet may occupy up to five time slots, depending on the packet type. On a broadcast logical transport no Peripherals are allowed to respond.

3.3.1.1.3 Topology

A basic piconet channel may be shared by any number of Bluetooth devices, limited only by the resources available on the piconet Central. Only one device is the piconet Central, all others being piconet Peripherals. All communication is between the Central and Peripherals. There is no direct communication between Peripherals on the piconet channel.

There is, however, a limitation on the number of logical transports that can be supported within a piconet. This means that although there is no theoretical limit to the number of Bluetooth devices that share a channel there is a limit to the number of these devices that can be actively involved in exchanging data with the Central.

3.3.1.1.4 Supported layers

The basic piconet channel supports a number of physical links, logical transports, logical links and L2CAP channels used for general purpose communications.

3.3.1.2 Adapted piconet channel

3.3.1.2.1 Overview

The adapted piconet channel differs from the basic piconet channel in two ways. First, the frequency on which a Peripheral transmits is the same as the frequency used by its Central in the preceding transmission. In other words the frequency is not recomputed between Central and subsequent Peripheral packets. Second, the adapted piconet channel may be based on fewer than the full 79 frequencies. A number of frequencies may be excluded from the hopping pattern by being marked as “unused”. The remainder of the 79 frequencies are included. The two sequences are the same except that whenever the basic pseudo-random hopping sequence selects an unused frequency, it is replaced with an alternative chosen from the used set. The set of frequencies used may vary between different physical links on the same adapted piconet channel.

Because the adapted piconet channel uses the same timing and access code as the basic piconet channel, physical links on the two channels are often coincident. This provides a deliberate benefit as it allows Peripherals in either



the basic piconet channel or the adapted piconet channel to adjust their synchronization to the Central.

The topology and supported layers of the adapted piconet physical channel are identical to the basic piconet physical channel with one exception: on the adapted piconet physical channel, it is possible for a single Central to transmit data to an unlimited number of Peripherals using a single CPB logical transport. In this case, however, data is only transferred from Central to Peripheral and not from Peripheral to Central.

3.3.1.3 Inquiry scan channel

3.3.1.3.1 Overview

In order for a device to be discovered, an inquiry scan channel is used. A discoverable device listens for inquiry requests on its inquiry scan channel and then sends a response to that request. In order for a device to discover other devices, it iterates (hops) through all possible inquiry scan channel frequencies in a pseudo-random fashion, sending an inquiry request on each frequency and listening for any response.

3.3.1.3.2 Characteristics

Inquiry scan channels follow a slower hopping pattern and use an access code to distinguish between occasional occupancy of the same radio frequency by two co-located devices using different physical channels.

The access code used on the inquiry scan channel is taken from a reserved set of inquiry access codes that are shared by all Bluetooth devices. One access code is used for general inquiries, and a number of additional access codes are reserved for limited inquiries. Each device has access to a number of different inquiry scan channels. As all of these channels share an identical hopping pattern, a device may concurrently occupy more than one inquiry scan channel if it is capable of concurrently correlating more than one access code.

A device using one of its inquiry scan channels remains passive on that channel until it receives an inquiry message on this channel from another Bluetooth device. This is identified by the appropriate inquiry access code. The inquiry scanning device will then follow the inquiry response procedure to return a response to the inquiring device.

In order for a device to discover other Bluetooth devices it uses the inquiry scan channel to send inquiry requests. As it has no prior knowledge of the devices to discover, it cannot know the exact characteristics of the inquiry scan channel.

The device takes advantage of the fact that inquiry scan channels have a reduced number of hop frequencies and a slower rate of hopping. The inquiring device transmits inquiry requests on each of the inquiry scan hop frequencies



and listens for an inquiry response. Transmissions are done at a faster rate, allowing the inquiring device to cover all inquiry scan frequencies in a reasonably short time period.

3.3.1.3.3 Topology

Inquiring and discoverable devices use a simple exchange of packets to fulfill the inquiring function. The topology formed during this transaction is a simple and transient point-to-point connection.

3.3.1.3.4 Supported layers

During the exchange of packets between an inquiring and discoverable device it may be considered that a temporary physical link exists between these devices. However, the concept is quite irrelevant as it has no physical representation but is only implied by the brief transaction between the devices. No further architectural layers are considered to be supported.

3.3.1.4 Page scan channel

3.3.1.4.1 Overview

A connectable device (one that is prepared to accept connections) does so using a page scan channel. A connectable device listens for a page request on its page scan channel and, once received, enters into a sequence of exchanges with this device. In order for a device to connect to another device, it iterates (hops) through all page scan channel frequencies in a pseudo-random fashion, sending a page request on each frequency and listening for a response.

3.3.1.4.2 Characteristics

The page scan channel uses an access code derived from the scanning device's Bluetooth Device Address to identify communications on the channel. The page scan channel uses a slower hopping rate than the hop rate of the basic and adapted piconet channels. The hop selection algorithm uses the Bluetooth device clock of the scanning device as an input.

A device using its page scan channel remains passive until it receives a page request from another Bluetooth device. This is identified by the page scan channel access code. The two devices will then follow the page procedure to form a connection. Following a successful conclusion of the page procedure both devices switch to the basic piconet channel that is characterized by having the paging device as Central.

In order for a device to connect to another Bluetooth device it uses the page scan channel of the target device in order to send page requests. If the paging device does not know the phase of the target device's page scan channel it



therefore does not know the current hop frequency of the target device. The paging device transmits page requests on each of the page scan hop frequencies and listens for a page response. This is done at a faster hop rate, allowing the paging device to cover all page scan frequencies in a reasonably short time period.

The paging device may have some knowledge of the target device's Bluetooth clock (indicated during a previous inquiry transaction between the two devices, or as a result of a previous involvement in a piconet with the device), in this case it is able to predict the phase of the target device's page scan channel. It may use this information to optimize the synchronization of the paging and page scanning process and speed up the formation of the connection.

3.3.1.4.3 Topology

Paging and connectable devices use a simple exchange of packets to fulfill the paging function. The topology formed during this transaction is a simple and transient point-to-point connection.

3.3.1.4.4 Supported layers

During the exchange of packets between a paging and connectable device it may be considered that a temporary physical link exists between these devices. However, the concept is quite irrelevant as it has no physical representation but is only implied by the brief transaction between the devices. No further architectural layers are considered to be supported.

3.3.1.5 Synchronization scan channel

3.3.1.5.1 Overview

In order to receive packets sent on the CPB logical transport, a device must first obtain information about the timing and frequency channels of those packets. If a device misses a Coarse Clock Adjustment notification, it needs to recover the current piconet clock. The synchronization scan channel is provided for these purposes. A scanning device listens for synchronization train packets on the synchronization scan channel. Once a synchronization train packet is received, the device may stop listening for synchronization train packets because it has the timing and frequency information necessary to start receiving packets sent on the CPB logical transport or to recover the piconet clock.

3.3.1.5.2 Characteristics

The synchronization scan channel uses an access code derived from the Bluetooth Device Address of the synchronization train transmitter to identify synchronization train packets on the channel. Once a synchronization train packet is received, the scanning BR/EDR Controller may start receiving



packets sent on the CPB logical transport, depending on the needs of the Host and any applicable profile(s).

3.3.1.5.3 Topology

The topology formed during this scan is transient and point-to-multipoint. There can be an unlimited number of scanning devices simultaneously receiving synchronization train packets from the same synchronization train transmitter.

3.3.1.5.4 Supported layers

There is a one-way flow of packets from the synchronization train transmitting device to the scanning device(s). This may be considered a temporary physical link that exists only until the scanning device receives the required information. No further architectural layers are considered to be supported.

3.3.2 LE physical channels

In the LE core system, two Bluetooth devices use a shared physical channel for communication. To achieve this, their transceivers need to be tuned to the same PHY frequency at the same time, and they need to be within a nominal range of each other.

Given that the number of PHY channels is limited, and many Bluetooth devices can be operating independently within the same spatial and temporal area, there is a strong likelihood of two pairs of independent Bluetooth devices having their transceivers tuned to the same PHY channel, resulting in a collision. Unlike BR/EDR, where an access code is used to identify the piconet, LE uses a randomly generated Access Address to identify a physical channel between devices. In the event that two devices happen to share the same PHY channel in the same area, the targeted device Access Address is used as a correlator to determine to which device the communication is directed.

Four LE physical channels are defined. Each is optimized and used for a different purpose. The LE piconet physical channel is used for communication between connected devices and is associated with a specific piconet. The LE advertising physical channel is used for broadcasting advertisements to LE devices. These advertisements can be used to discover, connect, or send user data to scanner or initiator devices. The periodic physical channel is used to send user data to scanner devices in periodic advertisements at a specified interval. The LE isochronous physical channel is used to transfer isochronous data between LE devices in an LE piconet or to transfer isochronous data between unconnected LE devices.

An LE device can only use one of these LE physical channels at any given time. In order to support multiple concurrent operations the device uses time-division multiplexing between the channels. In this way a Bluetooth device can appear to support connected devices while simultaneously sending advertising broadcasts.



Whenever an LE device is synchronized to the timing and frequency of the physical channel it is said to be connected or synchronized to this channel (whether or not it is actively involved in communications over the channel). The Bluetooth specification assumes that a device is only capable of connecting to one physical channel at a time. Advanced devices may be capable of connecting or synchronizing simultaneously to more than one physical channel, but the specification does not make this assumption.

Packets on both the LE piconet physical channel and the LE advertisement broadcast channel can contain a Constant Tone Extension that can be used for the purpose of direction finding.

3.3.2.1 LE piconet physical channel

3.3.2.1.1 Overview

The LE piconet physical channel is used for communication between connected LE devices during normal operation.

3.3.2.1.2 Characteristics

The LE piconet physical channel is characterized by the access address, a pseudo-random sequence of PHY channels, and three additional parameters provided by the Central. The first is the channel map that indicates the set of PHY channels used in the piconet. The second is a pseudo random number used as an index into the complete set of PHY channels. The third is the timing of the first data packet sent by the Central after the connection request.

The channel is divided into connection events where each connection event corresponds to a PHY hop channel. Consecutive connection events correspond to different PHY hop channels. The first packet sent by the Central after the connection establishment sets an anchor point for the timing of all future connection events. In a connection event the Central transmits packets to a Peripheral in the piconet and the Peripheral may respond with a packet of its own.

On the LE piconet physical channel the Central controls access to the channel. The Central starts its transmission in a connection event that occurs at regular intervals. Packets transmitted by the Central are aligned with the connection event start and define the piconet timing.

Each Central transmission contains a packet carrying information on one of the logical transports. The Peripheral can transmit on the physical channel in response.

The LE piconet physical channel is similar to the BR/EDR adapted piconet channel in that the set of PHY channels used can be modified to avoid interference. The set of used channels in the channel map is established by the Central during connection setup. While in a connection the Central can change



the channel map when necessary to avoid new interferers. The Peripheral can provide channel classification information to the Central.

There are 37 LE piconet channels. The Central can reduce this number through the channel map indicating the used channels. When the hopping pattern hits an unused channel the unused channel is replaced with an alternate from the set of used channels. The LE Piconet physical channel can use any LE PHY.

3.3.2.1.3 Topology

An LE piconet physical channel is shared by exactly two LE devices.

An LE device may belong to one or more piconets at a time, that is, an LE device may be a Peripheral in zero or more piconets and may also be a Central in zero or more piconets.

Only one LE piconet physical channel can exist between two LE device identities or non-resolvable private addresses.

3.3.2.1.4 Supported layers

The LE piconet physical channel supports L2CAP channels used for general purpose communications.

3.3.2.2 Advertising physical channels

3.3.2.2.1 Overview

An LE advertising physical channel is used to set up connections between two devices or to communicate broadcast information between unconnected devices.

3.3.2.2.2 Characteristics

There are two LE advertising physical channels: the primary advertising physical channel and the secondary advertising physical channel.

The primary advertising physical channel is a set of three fixed PHY channels spread evenly across the LE frequency spectrum. The number of primary advertising PHY channels can be reduced by the advertising device in order to reduce interference. The primary advertising physical channel can use either the LE 1M or LE Coded PHY.

The primary advertising physical channel is divided into advertising events where each advertising event can hop on all primary advertising PHY channels. The advertising events occur at regular intervals which are slightly modified with a random delay to aid in interference avoidance.



On the primary advertising physical channel the advertising device controls access to the physical channel. The advertising device starts its transmission in an advertising event and transmits advertising packets on one or more of the primary advertising PHY channels. Each advertising packet is sent on a different advertising PHY channel at a fixed interval. Seven types of advertising events can be used, with each advertising event type having different sized advertising packets. The PDU payloads of these advertising packets can vary in length from 6 to 37 octets.

Some advertising events sent by the advertising device permit the listening device to concurrently send scan requests or connection requests packets on the same advertising PHY channel in which the advertising packet was received. The advertising device can send a scan response packet again on the same advertising PHY channel within the same advertising event. The payload of the scan response packet can vary in length from 6 to 37 octets.

The secondary advertising physical channel is a set of 37 fixed PHY channels spread across the LE frequency spectrum. These are the same fixed LE PHY channels used by the data physical channel. The secondary advertising physical channel uses the same channel indices as the data physical channel. The payload of advertising packets used on the secondary advertising physical channel can vary in length from 0 to 255 octets. Advertising packets on the secondary advertising physical channel are not part of the advertising event but are part of the extended advertising event. These extended advertising events begin at the same time as the advertising event on the primary advertising physical channel and conclude with the last packet on the secondary advertising physical channel.

The secondary advertising physical channel is used to offload data that would otherwise be transmitted on the primary advertising physical channel. Advertising packets on the secondary advertising physical channel ("auxiliary packets") are scheduled by the advertiser when sufficient over-the-air time is available. The advertising packet on the primary advertising physical channel contains the PHY channel and the offset to the start time of the auxiliary packet.

The secondary advertising physical channel can use any LE PHY. All advertising packets on the secondary advertising physical channel in the same extended advertising event use the same PHY, which is specified in the advertising packet on the primary advertising physical channel.

3.3.2.2.3 Topology

An LE advertising physical channel can be shared by any number of LE devices. Any number of LE devices can transmit advertising packets while sharing the advertising physical channel. Any number of scanning devices can listen on the advertising physical channel. An advertising device can advertise and be connected on an LE piconet physical channel simultaneously. Scanning



devices may also be connected to one or more LE piconet physical channels simultaneously.

3.3.2.3 Periodic physical channel

3.3.2.3.1 Overview

An LE periodic physical channel is used to set up a periodic broadcast between unconnected devices.

3.3.2.3.2 Characteristics

The periodic physical channel is characterized by a pseudo-random sequence of PHY channels and additional parameters provided by the advertiser. These are the channel map that indicates the set of PHY channels used in the periodic broadcast, the event counter used to determine the channel hopping sequence, the offset indicating the timing of the first periodic broadcast packet, and the interval between successive periodic broadcasts.

The channel is divided into periodic advertising events where the start of a periodic advertising event corresponds to a PHY hop channel. The start of consecutive periodic advertising events corresponds to different PHY hop channels. The first packet sent by the advertiser after the broadcast is established sets an anchor point for the timing of all future periodic advertising events.

On the periodic physical channel, the advertising device controls access to the physical channel. The advertiser starts its transmission in a periodic advertising event that occurs at regular intervals. Packets transmitted by the advertiser are aligned with the periodic advertising event and specified broadcast timing. Additional packets may also be transmitted between the periodic advertising events. The payload of packets sent by the advertiser may vary in length from 0 octets to 255 octets.

Each advertiser transmission contains a packet carrying information on the PADVB logical transports. Scanners cannot transmit on the physical channel.

There are 37 PHY channels. The advertiser can reduce this number through the channel map indicating the used channels. When the hopping pattern hits an unused channel, the unused channel is replaced with an alternate from the set of used channels. The periodic physical channel can use any PHY. All periodic advertising events use the same PHY used by the advertiser in the packet describing the characteristics of the periodic physical channel.

3.3.2.3.3 Topology

An LE periodic physical channel can be shared by any number of LE devices. Any number of LE devices can transmit periodic advertising packets while sharing the same periodic physical PHY channels. Any number of scanning



devices can listen on the periodic physical channel. An advertising device can advertise and be synchronized on an LE periodic physical channel simultaneously. Scanning devices may also be synchronized to one or more LE periodic physical channels simultaneously.

3.3.2.4 LE Isochronous physical channel

The LE isochronous physical channel can be created to transfer isochronous data between LE devices.

3.3.2.4.1 Overview

The LE isochronous physical channel is used to transfer isochronous data between connected or unconnected LE devices.

3.3.2.4.2 Characteristics

The LE isochronous physical channel is characterized by a pseudo-random sequence of PHY channels and by three additional parameters that are provided by a Central or a connectionless broadcaster. The first parameter is the channel map that indicates the set of PHY channels. The second parameter is a pseudo random number that is used as an index into the complete set of PHY channels. The third parameter is the timing of the first data packet. The timing of the first packet of a CIS is provided in the Link Layer message that is sent in the associated ACL connection by the Central during the CIS establishment phase. The timing of the first packet of a BIS is referenced from a periodic advertising event associated with the BIS.

The LE isochronous physical channel is used to transfer isochronous data in isochronous events that occur at regular intervals. Each isochronous event is divided into one or more subevents. Each subevent uses a PHY channel that is selected by the channel selection algorithm.

In any subevent in an isochronous connection, the Central transmits a packet to the Peripheral and the Peripheral may respond with a packet of its own. The Central controls the access to the LE isochronous physical channel. In every CIS event, the Central starts its transmission at the start of the first subevent. Packets that are transmitted by the Central are time aligned with the start of every subevent.

A Broadcasting Isochronous transmitter transmits isochronous data packets and control packets. Any device that is synchronized to the BIS can receive these packets. The broadcasting device controls access to the LE isochronous physical channel. Within BIS events, the broadcasting device starts its transmission in the first subevent. Packets that are transmitted by the broadcasting device are aligned with the start of every subevent.

There are 37 PHY channels. The Central or the isochronous stream transmitter can reduce this number through the channel map that indicates the used



channels. When the channel selection algorithm selects an unused channel, the unused channel is replaced with an alternate from the set of used channels. For CISEs, the LE isochronous physical channel uses the set of PHY channels that are enabled on the LE piconet physical channel. The LE isochronous physical channel can use any LE PHY.

3.3.2.4.3 Topology

The LE isochronous physical channel in a CIS can be used for one-to-one communication between the devices that are in the LE piconet. The Central may establish one or more CISEs with the Peripheral in the LE piconet; that is, the LE isochronous physical channel can carry one or more CIS logical transports between a given Central and Peripheral. The LE isochronous physical channel and all the CISEs it carries are terminated when the associated LE piconet physical channel is terminated. If a Central has established piconets with more than one Peripheral, it can establish LE isochronous physical channels with more than one of these Peripherals at the same time.

The LE isochronous physical channel can be used for one-to-many communication topologies of unconnected LE devices. Each LE isochronous physical channel can carry one or more BIS logical transports.

3.3.3 [This section is no longer used]

3.4 PHYSICAL LINKS

A physical link represents a baseband connection between Bluetooth devices. A physical link is always associated with exactly one physical channel (although a physical channel may support more than one physical link). Within the Bluetooth system a physical link is a virtual concept that has no direct representation within the structure of a transmitted packet.

In BR/EDR the access code packet field, together with the clock and address of the Central Bluetooth device, is used to identify a physical channel. In LE, the access address and channel map, including *hopIncrement* in the case of Channel Selection Algorithm #1 or an event counter in the case of Channel Selection Algorithm #2, are used to identify a physical channel. For BR/EDR and LE, there is no subsequent part of the packet that directly identifies the physical link. Instead, the physical link may be identified by association with the logical transport, as each logical transport is only received on one physical link.

Some physical link types have properties that may be modified. An example of this is the transmit power for the link. Other physical link types have no modifiable properties. In the case of BR/EDR physical links with modifiable properties the LM protocol is used to adapt these properties. In the case of LE physical links with modifiable properties the LL protocol is used to adapt these properties. As the LM protocol (BR/EDR) or LL protocol (LE) is supported at a



higher layer (by a logical link) the appropriate physical link is identified by implication from the logical link that transports the LM or LL signaling.

In the situation where a transmission is broadcast over a number of different physical links, then the transmission parameters are selected to be suitable for all of the physical links.

3.4.1 BR/EDR links supported by the basic and adapted piconet physical channels

The basic piconet physical channel supports a physical link which may only be active. The adapted piconet physical channel may support several physical links, including active and Connectionless Peripheral Broadcast. An active physical link is a point-to-point link between the Central and a Peripheral. A Connectionless Peripheral Broadcast physical link is a point-to-multipoint link between the Transmitter (Central) and zero or more Receivers (Peripherals). At least one physical link on the piconet physical channel is always present when a Peripheral is synchronized in the piconet.

3.4.1.1 Active physical link

The physical link between a Central and a Peripheral is active if a default ACL logical transport exists between the devices. Active physical links have no direct identification of their own, but are identified by association with the default ACL logical transport ID with which there is a one-to-one correspondence.

An active physical link has the associated property of radio transmit power in each direction. Transmissions from Peripherals are always directed over the active physical link to the Central, and use the transmit power that is a property of this link in the Peripheral to Central direction. Transmissions from the Central may be directed over a single active physical link (to a specific Peripheral) or over a number of physical links (to a group of Peripherals in the piconet). In the case of point-to-point transmissions the Central uses the appropriate transmit power for the physical link in question. (In the case of point-to-multipoint transmissions the Central uses a transmit power appropriate for the set of devices addressed.)

Active physical links may be placed into Hold or Sniff mode. The effect of these modes is to modify the periods when the physical link is active and may carry traffic. Logical transports that have defined scheduling characteristics are not affected by these modes and continue according to their pre-defined scheduling behavior. The default ACL logical transport and other links with undefined scheduling characteristics are subject to the mode of the active physical link.



3.4.1.2 [This section is no longer used]

3.4.1.3 Connectionless Peripheral Broadcast physical link

A Connectionless Peripheral Broadcast physical link is present on a Receiver (Peripheral) when it is synchronized in the piconet where a CPB logical transport exists. On a Transmitter (Central), a Connectionless Peripheral Broadcast physical link is present when a CPB logical transport exists whether or not any Receivers are synchronized. The Connectionless Peripheral Broadcast physical link is a point-to-multipoint unidirectional link between a Transmitter and zero or more Receivers.

Connectionless Peripheral Broadcast physical links do not support power control because there is no feedback from Receivers to the Transmitter. Traffic is always directed from a single Transmitter to zero or more Receivers.

Connectionless Peripheral Broadcast packets are sent at regular intervals. The BR/EDR Controller selects an interval within a range requested by the Host.

3.4.2 BR/EDR links supported by the scanning physical channels

In the case of inquiry scan and page scan channels, the physical link exists for a relatively short time and cannot be controlled or modified in any way. These types of physical links are not further elaborated.

3.4.3 LE links supported by the LE physical channels

The LE piconet physical channels support an LE active physical link. The physical link is a point-to-point link between the Central and a Peripheral. It is always present when the Peripheral is in a connection with the Central.

The LE advertising physical channels support an LE advertising physical link. The physical link is a broadcast between the advertiser device and one or more scanner or initiator devices. It is always present when the advertiser is broadcasting advertisement events.

The LE periodic physical channels support an LE periodic physical link. The physical link is a broadcast between the advertiser device and one or more scanner devices. It is always present when the advertiser is broadcasting periodic advertising events.

The LE isochronous physical channels support LE isochronous physical links. An LE isochronous physical link can be a point-to-point link between a Central and a Peripheral or a connectionless link between a broadcast isochronous transmitter and multiple receiving devices.



3.4.3.1 Active physical link

The physical link between a Central and a Peripheral is active if a default LE ACL logical transport exists between the devices. Active physical links are each associated with a separate piconet physical channel, which in turn is identified by the randomly generated Access Address used in the Link Layer packet. Each Access Address has a one-to-one relationship with the Central and the Peripheral of the active physical link.

An active physical link has the associated property of radio transmit power in each direction, which may be different in each direction. A device uses the appropriate transmit power for the physical link in question.

3.4.3.2 Advertising physical link

An advertising physical link between an advertising device and an initiating device for the purposes of forming a connection (active physical link) can exist for a relatively short period of time. These advertising physical links cannot be controlled or modified in any way and these types of physical links are not further elaborated.

An advertising physical link between an advertising device and a scanning device used for periodic broadcasting of user data can exist for longer periods of time. There is no identification information about the physical link within the protocol. The relationship between the advertising and scanning device is established through the use of the Bluetooth Device Address.

3.4.3.3 Periodic physical link

A periodic physical link between an advertising device and one or more scanning devices normally exists for a prolonged period of time. Periodic physical links are each associated with a separate periodic physical channel, which in turn is identified by the randomly generated Access Address used in the Link Layer packet. Each Access Address has a one-to-one relationship with the advertiser of the periodic physical link.

3.4.3.4 Isochronous physical links

The isochronous physical link uses an isochronous physical channel and carries CIS and BIS logical transports.

Isochronous physical links carrying CIS(es) use the appropriate transmit power level for the physical link in question. Devices use power control on the associated ACL-C logical link to adapt the transmit power level for the physical link.

Isochronous physical links carrying BIS(es) do not support power control because there is no feedback from Observers to the Broadcaster. Traffic is always directed from a single Broadcaster to zero or more Observers.



3.4.4 [This section is no longer used]

3.5 LOGICAL LINKS AND LOGICAL TRANSPORTS

A variety of logical links are available to support different application data transport requirements. Each logical link is associated with a logical transport, which has a number of characteristics. These characteristics include flow control, acknowledgment/repeat mechanisms, sequence numbering and scheduling behavior. Logical transports are able to carry different types of logical links (depending on the type of the logical transport). In the case of some of the Bluetooth logical links these are multiplexed onto the same logical transport. Logical transports may be carried by active physical links on either the basic or the adapted piconet physical channel.

Logical transport identification and real-time (link control) signaling are carried in the packet header, and for some logical links identification is carried in the payload header. Control signaling that does not require single slot response times is carried out using the LMP protocol.

Table 3.4 lists all of the logical transport types, the supported logical link types, which type of physical links and physical channels can support them, and a brief description of the purpose of the logical transport.

Logical transport	Links supported	Supported by	Bearer	Overview
Asynchronous Connection-Oriented (ACL)	Control (LMP) ACL-C User (L2CAP) ACL-U	BR/EDR active physical link, BR/EDR basic or adapted piconet physical channel	BR/EDR	Reliable or time-bounded, bi-directional, point-to-point
Synchronous Connection-Oriented (SCO)	Stream (unframed) SCO-S	BR/EDR active physical link, BR/EDR basic or adapted piconet physical channel	BR/EDR	Bi-directional, symmetric, point-to-point, AV channels. Used for 64 kb/s constant rate data.
Extended Synchronous Connection-Oriented (eSCO)	Stream (unframed) eSCO-S	BR/EDR active physical link, BR/EDR basic or adapted piconet physical channel	BR/EDR	Bi-directional, symmetric or asymmetric, point-to-point, general regular data, limited retransmission. Used for constant rate data synchronized to the Central's clock.

Table 3.4: Logical transport types (Sheet 1 of 2)



Logical transport	Links supported	Supported by	Bearer	Overview
Active Peripheral Broadcast (APB)	Control (LMP) APB-C User (L2CAP) APB-U	BR/EDR active physical link, basic or adapted physical channel	BR/EDR	Unreliable, uni-directional broadcast to any devices synchronized with the physical channel. Used for broadcast L2CAP groups and certain LMP messages.
Connectionless Peripheral Broadcast (CPB)	Profile Broadcast Data (PBD)	Connectionless Peripheral Broadcast physical link, BR/EDR adapted piconet physical channel	BR/EDR	Unreliable, unidirectional, point-to-multipoint, periodic transmissions to zero or more devices.
LE asynchronous connection (LE ACL)	Control (LL) LE-C, User (L2CAP) LE-U	LE active physical link, LE piconet physical channel	LE	Reliable, bi-directional, point-to-point.
LE Advertising Broadcast (ADVB)	Control (LL) ADVB-C, User (LL) ADVB-U	LE advertising physical link, LE advertising physical channel	LE	Unreliable, uni-directional broadcast to all devices in a given area or directed to one recipient. Used to carry data and Link Layer signaling between unconnected devices.
LE Periodic Advertising Broadcast (PADVB)	Control (LL) ADVB-C, User (LL) ADVB-U	LE periodic physical link, LE periodic physical channel	LE	Unreliable, periodic, unidirectional broadcast to all devices in a given area.
Connected Isochronous Stream	Low Energy Stream (LE-S) and Low Energy Framed data (LE-F)	LE isochronous physical link	LE	Unidirectional or bidirectional transport in a point-to-point connection for transferring isochronous data.
Broadcast Isochronous Stream	Low Energy Stream (LE-S), Low Energy Framed data (LE-F) and Low Energy Broadcast Control (LEB-C)	LE isochronous physical link	LE	Unidirectional transport for broadcasting data in a point to multipoint configuration and unidirectional transport for controlling the broadcast data.

Table 3.4: Logical transport types (Sheet 2 of 2)



The classification of each link type follows from a selection procedure within three categories.

3.5.1 Casting

The first category is that of casting. This may be either unicast or broadcast.

- Unicast links exist between exactly two endpoints. Traffic may be sent in either direction on unicast links.
- Broadcast links exist between one source device and zero or more receiver devices. Traffic is unidirectional, i.e., only sent from the source devices to the receiver devices. Broadcast links are connectionless, meaning there is no procedure to create these links, and data may be sent over them at any time. Broadcast links are unreliable, and there is no guarantee that the data will be received.

3.5.2 Scheduling and acknowledgment scheme

The second category relates to the scheduling and acknowledgment scheme of the link, and implies the type of traffic that is supported by the link. These are synchronous, isochronous or asynchronous. There are no specific isochronous links defined, though the default ACL link can be configured to operate in this fashion.

- Synchronous links provide a method of associating the transported data with the Bluetooth piconet clock. This is achieved by reserving regular slots on the physical channel, and transmitting fixed size packets at these regular intervals. Such links are suitable for constant rate isochronous data.
- Asynchronous links provide a method for transporting data that has no time-based characteristics. The data is normally expected to be retransmitted until successfully received, and each data entity can be processed at any time after receipt, without reference to the time of receipt of any previous or successive entity in the stream (providing the ordering of data entities is preserved).
- Isochronous links provide a method for transporting data that has time-based characteristics. The data may be retransmitted until received or expired. The data rate on the link need not be constant (this being the main difference from synchronous links).

3.5.3 Class of data

The final category is related to the class of data that is carried by the link. This is either control data or user data. The user data category is sub-divided into L2CAP data, stream data, and periodic broadcast data.

- Control links are only used for transporting LMP or Link Layer messages between two Controllers. These links are invisible above the baseband layer or Link Layer and cannot be directly instantiated, configured, or released by



applications, other than by the use of the services, such as connection and disconnection, that have this effect implicitly. Control links are always multiplexed with an equivalent L2CAP data link onto a logical transport. For example, ACL-C and ACL-U are multiplexed onto an ACL logical transport, whereas ADVB-C and ADVB-U are multiplexed onto ADVB and PADVB logical transports. Subject to the rules defining the acknowledgment scheme, the control link traffic normally takes priority over the L2CAP link traffic.

- L2CAP links are used to transport L2CAP PDUs, which may carry the L2CAP signaling channel or framed user data submitted to user-instantiated L2CAP channels. L2CAP frames submitted to the baseband may be larger than the available Baseband packets. A link control protocol embedded within the LLID field preserves the frame-start and frame-continuation semantics when the frame is transmitted in a number of fragments to the receiver. Normally, L2CAP links give reliable delivery of data priority over timely delivery.
- Stream links are used to transport user data when timely delivery of the latest data has priority over reliability. Lost data may be replaced by padding at the receiver. On BR/EDR, these links (SCO and eSCO) have a fixed bandwidth and are always bidirectional between two devices; on LE, they have a variable bandwidth with a specified maximum and may be either bidirectional between two devices (CIS) or unidirectional broadcast (BIS).
- Periodic broadcast data is transmitted at regular intervals, possibly with jitter, by a device. It has no acknowledgment mechanism. The same data is transmitted until it is explicitly changed. This is sent on the PBD logical link on BR/EDR and on the ADVB-U logical link on LE.

3.5.4 Logical transports

3.5.4.1 BR/EDR asynchronous connection-oriented (ACL)

The asynchronous connection-oriented (ACL) logical transport is used to carry LMP and L2CAP control signaling and best effort asynchronous user data. The ACL logical transport uses a 1-bit ARQN/SEQN scheme to provide simple channel reliability. Every active Peripheral within a piconet has one ACL logical transport to the piconet Central, known as the default ACL.

The default ACL is created between the Central and the Peripheral when a device joins a piconet (connects to the basic piconet physical channel). This default ACL is assigned a logical transport address (LT_ADDR) by the piconet Central. This LT_ADDR is also used to identify the active physical link when required (or as a piconet active member identifier, effectively for the same purpose).

The LT_ADDR for the default ACL is reused for synchronous connection-oriented logical transports between the same Central and Peripheral. Thus the LT_ADDR is not sufficient on its own to identify the default ACL. However the



packet types used on the ACL are different from those used on the synchronous connection-oriented logical transport. Therefore, the ACL logical transport can be identified by the LT_ADDR field in the packet header in combination with the packet type field.

The default ACL may be used for isochronous data transport by configuring it to automatically flush packets after the packets have expired. Asynchronous traffic can be sent over an ACL logical transport configured for isochronous traffic by marking the asynchronous packets as non-automatically-flushable. This allows both isochronous and asynchronous traffic to be transferred at the same time to a single device.

If the default ACL is removed from the active physical link then all other logical transports that exist between the Central and the Peripheral are also removed. In the case of unexpected loss of synchronization to the piconet physical channel the physical link and all logical transports and logical links cease to exist at the time that this synchronization loss is detected.

3.5.4.2 BR/EDR synchronous connection-oriented (SCO)

The synchronous connection-oriented (SCO) logical transport is a symmetric, point-to-point transport between the Central and a specific Peripheral. The SCO logical transport reserves slots on the physical channel and can therefore be considered as a circuit-switched connection between the Central and the Peripheral. SCO logical transports carry 64 kb/s of information synchronized with the piconet clock. Typically this information is an encoded voice stream. Three different SCO configurations exist, offering a balance between robustness, delay and bandwidth consumption.

Each SCO-S logical link is supported by a single SCO logical transport, which is assigned the same LT_ADDR as the default ACL logical transport between the devices. Therefore the LT_ADDR field is not sufficient to identify the destination of a received packet. Because the SCO links use reserved slots, a device uses a combination of the LT_ADDR, the slot numbers (a property of the physical channel) and the packet type to identify transmissions on the SCO link.

Although slots are reserved for the SCO, it is permissible to use a reserved slot for traffic from another channel that has a higher priority. This may be required as a result of QoS commitments, or to send LMP signaling on the default ACL when the physical channel bandwidth is fully occupied by SCOs. As SCOs carry different packet types to ACLs, the packet type is used to identify SCO traffic (in addition to the slot number and LT_ADDR).

There are no further architectural layers defined by the specification that are transported over a SCO link. A number of standard formats are defined for the 64 kb/s stream that is transported, or an unformatted stream is allowed where the application is responsible for interpreting the encoding of the stream.



3.5.4.3 BR/EDR extended synchronous connection-oriented (eSCO)

The extended synchronous connection-oriented (eSCO) logical transport is a symmetric or asymmetric, point-to-point transport between the Central and a specific Peripheral. The eSCO reserves slots on the physical channel and can therefore be considered as a circuit-switched connection between the Central and the Peripheral. eSCO links offer a number of extensions over the standard SCO links, in that they support a more flexible combination of packet types and selectable data contents in the packets and selectable slot periods, allowing a range of synchronous bit rates to be supported.

eSCO links also can offer limited retransmission of packets (unlike SCO links where there is no retransmission). If these retransmissions are required they take place in the slots that follow the reserved slots, otherwise the slots may be used for other traffic.

Each eSCO-S logical link is supported by a single eSCO logical transport, identified by a LT_ADDR that is unique within the piconet for the duration of the eSCO. eSCO-S links are created using LM signaling and follow scheduling rules similar to SCO-S links.

There are no further architectural layers defined by the specification that are transported over an eSCO-S link. Instead applications may use the data stream for whatever purpose they require, subject to the transport characteristics of the stream being suitable for the data being transported.

3.5.4.4 BR/EDR active Peripheral broadcast (APB)

The active Peripheral broadcast logical transport is used to transport LMP control signaling and connectionless L2CAP user traffic to all devices in the piconet that are currently connected to the physical channel that is used by the APB. There is no acknowledgment protocol and the traffic is uni-directional from the piconet Central to the Peripherals. The APB channel may be used for L2CAP group traffic (a legacy of the 1.1 specification), and is never used for L2CAP connection-oriented channels or L2CAP control signaling.

The APB logical transport is inherently unreliable because of the lack of acknowledgment. To improve the reliability, each packet is transmitted a number of times. An identical sequence number is used to assist with filtering retransmissions at the Peripheral.

The APB logical transport is identified by a reserved LT_ADDR.

An APB is implicitly created whenever a piconet exists, and there is always one APB associated with each of the active physical links (whether operating over the basic or adapted piconet physical channel) that exist within the piconet. Because the basic and adapted piconet physical channels, and different channel maps on the adapted piconet physical channel, are mostly coincident, a Peripheral cannot always distinguish which of the APB channels is being



used to transmit the packets. This adds to the general unreliability of the APB channel. (Although it is, perhaps, no more unreliable than general missed packets.)

A Central may decide to use only one of its two possible APBs (when it has both a basic and adapted piconet physical channel), or only one of the channel maps in use on the adapted piconet physical channel (when it has more than one map), as with sufficient retransmissions or careful selection of which slots to transmit on it is possible to address all Peripherals.

The APB channel is never used to carry L2CAP control signals.

3.5.4.5 [This section is no longer used]

3.5.4.6 LE asynchronous connection (LE ACL)

The LE asynchronous connection (LE ACL) logical transport is used to carry LL and L2CAP control signaling and best effort asynchronous user data. The LE ACL logical transport uses a 1-bit NESN/SN scheme to provide simple channel reliability. Every active Peripheral has one LE ACL logical transport to the piconet Central, known as the default LE ACL.

The default LE ACL is automatically created between the Central and the Peripheral when the piconet connecting them is created. This default LE ACL is assigned an Access Address by the piconet Central. This Access Address is also used to identify the active physical link and active piconet physical channel when required.

If the default LE ACL is removed from the LE active physical link then all other LE logical transports that exist between the Central and the Peripheral are also removed. In the case of unexpected loss of synchronization to the LE piconet physical channel the LE physical link and all LE logical transports and LE logical links cease to exist at the time that this synchronization loss is detected.

3.5.4.7 LE advertising broadcast (ADVB)

The LE advertising broadcast logical transport is used to transport broadcast control and user data to all scanning devices in a given area. There is no acknowledgment protocol and the traffic is predominately unidirectional from the advertising device. A scanning device can send requests over the logical transport to get additional broadcast user data, or to form an LE ACL logical transport connection. The LE Advertising Broadcast logical transport data is carried only over the LE advertising broadcast link.

The ADVB logical transport is inherently unreliable because of the lack of acknowledgment. To improve the reliability, each packet is transmitted a number of times over the LE advertising broadcast link.



An ADVB is created whenever an advertising device begins advertising. The ADVB logical transport is identified by the advertiser's Bluetooth Device Address and advertising set.

3.5.4.8 Connectionless Peripheral Broadcast (CPB)

The CPB logical transport is used to transport profile broadcast data to all devices connected to the Connectionless Peripheral Broadcast logical transport. There is no acknowledgment scheme and the traffic is unidirectional from a Transmitter to zero or more Receivers. To improve reliability, profile broadcast data may be transmitted multiple times.

The CPB logical transport is created on the transmitter whenever the Connectionless Peripheral Broadcast is started. The CPB logical transport is created on the receiver whenever Connectionless Peripheral Broadcast reception is configured. The CPB logical transport is identified by a unique LT_ADDR within the piconet that is reserved specifically for that purpose by the Connectionless Peripheral Broadcast Transmitter.

3.5.4.9 LE periodic advertising

3.5.4.9.1 LE periodic advertising broadcast (PADVB)

The LE periodic advertising broadcast logical transport is used to transport periodic broadcast control and user data to all scanning devices in a given area. The data may be constant for several periods or may change frequently. There is no acknowledgment protocol and the traffic is unidirectional from the advertising device. The LE Periodic Advertising Broadcast logical transport data is carried only over the LE periodic physical link.

The PADVB logical transport is inherently unreliable because of the lack of acknowledgment. To improve the reliability, the period between transmissions can be shorter than the interval between changes to the data so that each packet can be transmitted a number of times over the LE periodic physical link.

A PADVB is created whenever an advertising device begins periodic advertising. The PADVB logical transport is identified by the advertiser's Bluetooth Device Address, timing, and advertising set.

3.5.4.9.2 Periodic advertising with responses (PAwR)

The LE periodic advertising with responses logical transport is used to transport periodic broadcast control and user data to all scanning devices in a given area. These broadcasts are grouped into subevents, allowing a subset of the devices to be synchronized with each subevent. Each subevent can then contain information that is directed to the subset of devices synchronized to that subevent. This allows the broadcasting device to send data to many devices and the synchronized devices to only have to listen very infrequently



for information directed to them. The data may be constant for several periods or may change frequently. The PAwR logical transport data is carried only over the LE periodic physical link.

The PAwR logical transport also includes response slots. The devices that have been directly addressed by the advertising device use response slots to send back responses. A higher layer specification determines the set of devices that can respond and when they respond. The PAwR logical transport is inherently unreliable, but the ability to use response slots allows higher layer acknowledgments to be used to provide reliability.

A PAwR logical transport is created whenever an advertising device begins periodic advertising configured to use subevents and responses. The PAwR logical transport is identified by the advertiser's Bluetooth Device Address, timing, and advertising set.

3.5.4.10 Connected Isochronous Stream (CIS)

The CIS is a data-symmetric or data-asymmetric, point-to-point logical transport between the Central and a specific Peripheral. A CIS reserves transmission/reception (Tx/Rx) periods, known as subevents, on the isochronous physical channel and can be considered as a circuit switched connection between the Central and the Peripheral. The CIS supports a variable flushing period for payloads, variable size data contents in the packets, and a variable number of subevents, allowing a range of isochronous data rates, latencies, and re-transmissions to be supported. A CIS can be configured to retransmit packets by providing more subevents than required for transmitting the data. If retransmissions are required, they take place in the subevents (of the current or subsequent events) that follow.

Each LE-S or LE-F logical link is supported by a single CIS that is identified by a unique access address for the lifetime of the CIS. The LE-S or LE F links are created by using Link Layer procedures. The higher layer may use the data stream for whatever purpose it requires, as long as the transport characteristics of the stream are suitable for the data that is being transported. All isochronous connections are terminated when the associated LE piconet physical channel is terminated.

3.5.4.11 Connected Isochronous Group (CIG)

Each CIS is part of a CIG. A CIG may have one or more CISes, all with the same Central but possibly different Peripherals. Multiple CISes in a CIG have a common timing reference based on the Central timing and are synchronized in time. The common timing reference of multiple CISes helps devices to synchronize their input or output data. For example, when the left and right channels of an audio stereo stream, which are received by separate devices, need to be rendered at the same time. Multiple CISes in a CIG can be scheduled sequentially or in an interleaved arrangement.



3.5.4.12 Broadcast Isochronous Stream (BIS)

The BIS logical transport is used to transport one or more isochronous data streams to all devices for a BIS within range. The data may be fixed or variable size, framed or unframed. A BIS has one or more subevents for transmitting isochronous data packets. A BIS supports transmission of multiple new isochronous data packets in every BIS event. There is no acknowledgment protocol and the traffic is unidirectional from the broadcasting device. The BIS logical transport is inherently unreliable because of the lack of acknowledgment. To improve the reliability of delivery, the isochronous data packets can be unconditionally re-transmitted by increasing the number of subevents in every event. The reliability of delivery can also be improved by transmitting packets in intervals earlier than the intervals they are associated with; this is called "pre-transmission". A BIS supports LE-S or LE-F logical links. A BIS is identified by a unique access address and the timing information. The access address and the timing information is transmitted in the packet that is sent using the associated Periodic Advertising Broadcast (PADVB) logical transport. A scanning device that supports the Synchronized Receiver role feature may receive isochronous data from a BIS after synchronizing to the BIS by using the timing information from the periodic advertising train.

3.5.4.13 Broadcast Isochronous Group (BIG)

Each BIS is part of a BIG. A BIG may have one or more BISes. Multiple BISes in a BIG have a common timing reference based on the broadcaster and are synchronized in time. For example, when the left and right channels of an audio stereo stream, which are received by separate devices, need to be rendered at the same time. Multiple BISes in a BIG can be scheduled sequentially or in an interleaved arrangement. A BIG also supports a Low Energy Broadcast Control (LEB-C) logical link.

3.5.5 Logical links

Some logical transports are capable of supporting different logical links, either concurrently multiplexed, or one of the choice.

3.5.5.1 BR/EDR logical links

Within BR/EDR logical transports, the logical link is identified by the logical link identifier (LLID) bits in the payload header of Baseband packets that carry a data payload. The logical links distinguish between a limited set of core protocols that are able to transmit and receive data on the logical transports. Not all of the logical transports are able to carry all of the logical links (the supported mapping is shown in [Figure 3.2](#)). In particular the BR/EDR SCO and eSCO logical transports are only able to carry constant data rate streams, and these are uniquely identified by the LT_ADDR. Such logical transports only use packets that do not contain a payload header, as their length is known in advance, and no LLID is necessary.



3.5.5.1.1 ACL control logical links (ACL-C and APB-C)

The ACL Control Logical Links (ACL-C and APB-C) are used to carry BR/EDR LMP signaling between devices in the piconet. The ACL-C control link is only carried on the default ACL logical transport while the APB-C control link is only carried on the APB logical transport. Each control link is always given priority over the corresponding data link carried on the same logical transport.

3.5.5.1.2 User asynchronous/isochronous logical links (ACL-U and APB-U)

The user asynchronous/isochronous logical links (ACL-U and APB-U) are used to carry all asynchronous and isochronous framed user data. The ACL-U link is only carried on the default ACL logical transport while the APB-U link is only carried on the APB logical transport. Packets on the ACL-U and APB-U link are identified by one of two reserved LLID values. One value is used to indicate that the Baseband packet contains the start of an L2CAP frame and the other indicates a continuation of a previous frame. This ensures correct synchronization of the L2CAP reassembler following flushed packets. The use of this technique removes the need for a more complex L2CAP header in every Baseband packet (the header is only required in the L2CAP start packets) because each L2CAP frame is completely transmitted before the next one starts. (An exception to this rule being the ability to flush a partially transmitted L2CAP frame in favor of another L2CAP frame.)

3.5.5.1.3 User synchronous/extended synchronous logical links (SCO-S/eSCO-S)

Synchronous (SCO-S) and extended synchronous (eSCO-S) logical links are used to support isochronous data delivered in a stream without framing. These links are associated with a single logical transport, where data is delivered in constant sized units at a constant rate. There is no LLID within the packets on these transports, as only a single logical link can be supported, and the packet length and scheduling period are pre-defined and remain fixed during the lifetime of the link.

Variable rate isochronous data cannot be carried by the SCO-S or eSCO-S logical links. In this case the data must be carried on ACL-U or APB-U logical links, which use packets with a payload header.

3.5.5.1.4 Profile Broadcast Data (PBD) logical link

The PBD logical link is used to broadcast isochronous unframed data to multiple receivers and resides on the CPB logical transport.

3.5.5.2 LE logical links

Within LE logical transports, the logical link is identified by the logical link identifier (LLID) bits in the payload header of Baseband packets that carry a



data payload. The logical links distinguish between a limited set of core protocols that are able to transmit and receive data on the logical transports. Not all of the logical transports are able to carry all of the logical links (the supported mapping is shown in [Figure 3.2](#)).

3.5.5.2.1 Control logical link (LE-C)

The LE ACL Control Logical Link (LE-C) is used to carry LE LL signaling between the two devices in the piconet. The control link is only carried on the default LE ACL logical transport.

3.5.5.2.2 User asynchronous logical link (LE-U)

The user asynchronous logical link (LE-U) is used to carry all asynchronous and framed user data. The LE-U link is carried on the LE logical transport. Packets on the LE-U link are identified by one of two reserved LLID values. One value is used to indicate that the Baseband packet contains the start of an L2CAP frame and the other indicates a continuation of a previous frame or empty PDU. This ensures correct synchronization of the L2CAP re-assembler. The use of this technique removes the need for a more complex L2CAP header in every Baseband packet because each L2CAP frame is completely transmitted before the next one starts.

3.5.5.2.3 Advertising Broadcast Control logical link (ADVB-C)

The LE Advertising Broadcast Control Logical Link (ADVB-C) is used to carry LE LL signaling between unconnected devices in a given area. This signaling is the control commands for gathering additional broadcast user data (scan requests) or connection requests. The control link is carried on the LE Advertising Broadcast and LE Periodic Advertising Broadcast logical transports.

3.5.5.2.4 Advertising Broadcast User Data logical link (ADVB-U)

The LE Advertising Broadcast User Data Logical Link (ADVB-U) is used to carry LE Advertising Broadcast and LE Periodic Advertising Broadcast user data used between devices without the need for a connection or LE-U between the devices. The user data link is carried on the LE Advertising Broadcast logical transport for LE Advertising Broadcast user data and the LE Periodic Advertising Broadcast logical transport for LE Periodic Advertising Broadcast user data.

3.5.5.2.5 Low Energy Stream (LE-S)

An LE-S is a logical link that is used to carry the unframed isochronous data packets of an isochronous data stream in a CIS or a BIS logical transport.



3.5.5.2.6 Low Energy Framed (LE-F)

An LE-F is a logical link that is used to carry the framed isochronous data packets of an isochronous data stream in a CIS or a BIS logical transport.

3.5.5.2.7 Low Energy Broadcast Control (LEB-C)

An LEB-C is a logical link that uses the BIS logical transport to carry the control information for all the BISes in a BIG.

3.5.5.3 [This section is no longer used]

3.6 L2CAP CHANNELS

L2CAP provides a multiplexing role allowing many different applications to share an ACL-U, APB-U, or LE-U logical link. Applications and service protocols interface with L2CAP using a channel-oriented interface to create connections to equivalent entities on other devices.

L2CAP channel endpoints are identified to their clients by a Channel Identifier (CID). This is assigned by L2CAP, and each L2CAP channel endpoint on any device has a different CID.

L2CAP channels may be configured to provide an appropriate Quality of Service (QoS) to the application. L2CAP maps the channel onto the ACL-U, APB-U, or LE-U logical link.

L2CAP supports channels that are connection-oriented and others that are group-oriented. Group-oriented channels may be mapped onto the APB-U logical link, or implemented as iterated transmission to each member in turn over an ACL-U logical link.

Apart from the creation, configuration and dismantling of channels, the main role of L2CAP is to multiplex service data units (SDUs) from the channel clients onto the ACL-U, APB-U, or LE-U logical link, and to carry out a simple level of scheduling, selecting SDUs according to relative priority.

L2CAP can provide per channel flow control with the peer L2CAP layer (except on the APB-U logical link). This option is selected by the application when the channel is established. L2CAP can also provide enhanced error detection and retransmission to (a) reduce the probability of undetected errors being passed to the application and (b) recover from loss of portions of the user data when the Baseband performs a flush on the ACL-U logical link.

In the case where an HCI is present, the L2CAP is also required to segment L2CAP SDUs into fragments that will fit into the baseband buffers, and also to operate a token based flow control procedure over the HCI, submitting fragments to the baseband only when allowed to do so. This may affect the scheduling algorithm.



3.7 ISOCHRONOUS ADAPTATION LAYER (ISOAL)

The ISOAL provides a mechanism such that the timing used to generate or receive isochronous data in the upper layer can be independent of the timing used in the CIS or BIS logical transport used to carry the isochronous data. For example, audio codec data can be generated at a 10 ms interval while the value of ISO_Interval for the CIS can be 11.25 ms. The ISOAL converts upper layer isochronous data units to lower layer isochronous data packets (or the other way around). For more information, see [\[Vol 6\] Part G](#).

3.8 POWER CONTROL

The power control feature provides a mechanism to request a remote device to adjust its transmit power level based on local signal quality information. The feature is supported on BR/EDR active physical links (see [Section 3.4.1.1](#)) and on LE active physical links (see [Section 3.4.3.1](#)).

3.8.1 Power control in BR/EDR

In BR/EDR, two power control mechanisms (legacy and enhanced power control) are available. Both mechanisms support requesting an incremental change in transmit power level. The enhanced power control mechanism also allows requesting a change to maximum transmit power level. The requested change is applied on all supported modulations at once since the modulation can change dynamically between packets.

3.8.2 Power control in LE

In LE, a device can request a remote device to make a specified change in the remote device's power level on a given PHY. This allows a faster transition to the desired power level compared to incremental changes. A responding device can also return a value to indicate an acceptable reduction in the power level that allows the requesting device to further reduce its transmit power level to the minimum level possible and hence conserve energy. The local and remote devices can also share their current transmit power levels during this exchange to enable devices to calculate the link path loss between them. Devices are also allowed to do autonomous local transmit power level changes and indicate the change to the remote device.

In LE, an ACL connection can have associated connections like CIS(es). The power control for all the PHYs used on the ACL and associated connections is managed over the ACL connection. The Host can use the connection handle of the ACL connection to retrieve information for all PHYs used on the ACL and associated connections.



4 COMMUNICATION TOPOLOGY AND OPERATION

4.1 PICONET TOPOLOGY

4.1.1 BR/EDR topology

Any time a link is created using the BR/EDR Controller it is within the context of a piconet. Each link connects two devices, called the “Central” and “Peripheral”. A piconet consists of a single Central, known as the Central of the piconet, and all the Peripherals linked to it, known as the Peripherals in the piconet.

Connected BR/EDR devices communicate on the same physical channel by synchronizing with a common clock and hopping sequence. The common (piconet) clock is identical to the Bluetooth clock of the Central of the piconet and the hopping sequence is derived from the Central’s clock and the Central’s Bluetooth Device Address (different hopping sequences may be used for different Peripherals).

The terms Central and Peripheral are only used when describing these roles in a piconet.

A number of independent piconets may exist in close proximity. Each piconet has a different physical channel (that is a different Central and an independent timing and hopping sequence).

A Bluetooth device may participate concurrently in two or more piconets. It does this on a time-division multiplexing basis. A Bluetooth device can never be a Central of more than one piconet. (Since in BR/EDR the piconet is defined by synchronization to the Central’s Bluetooth clock it is impossible to be the Central of two or more piconets.) A Bluetooth device may be a Peripheral in many independent piconets.

A Bluetooth device that is a member of two or more piconets is said to be involved in a scatternet. Involvement in a scatternet does not necessarily imply any network routing capability or function in the Bluetooth device. The Bluetooth core protocols do not, and are not intended to offer such functionality, which is the responsibility of higher level protocols and is outside the scope of the specification.

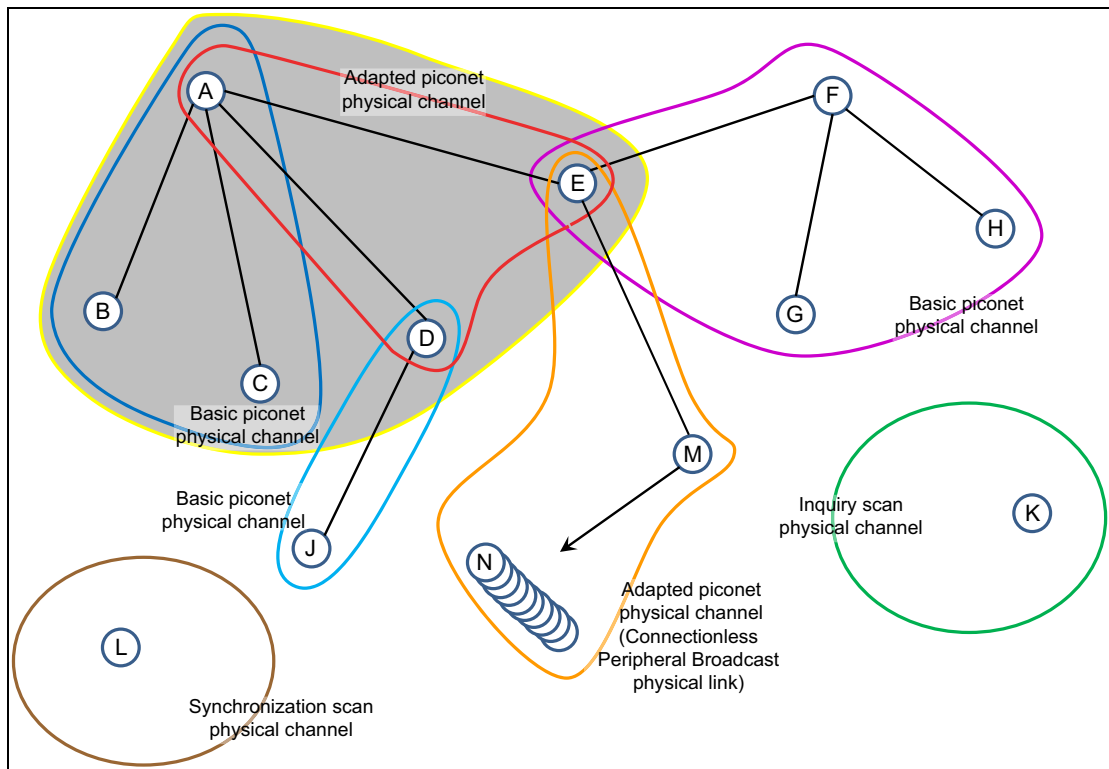


Figure 4.1: Example Bluetooth BR/EDR topology

In Figure 4.1 an example topology is shown that demonstrates a number of the architectural features described below. Device A is a Central in a piconet (represented by the shaded area, and known as piconet A) with devices B, C, D and E as Peripherals. Three other piconets are shown: a) one piconet with device F as Central (known as piconet F) and devices E, G and H as Peripherals, b) one piconet with device D as Central (known as piconet D) and device J as Peripheral, and c) one piconet with device M as Central (known as piconet M) and device E as a Peripheral and many devices N as Peripherals.

In piconet A there are two physical channels. Devices B and C are using the basic piconet physical channel (represented by the blue enclosure) as they do not support adaptive frequency hopping. Devices D and E are capable of supporting adaptive frequency hopping, and are using the adapted piconet physical channel (represented by the red enclosure). Device A is capable of adaptive frequency hopping, and operates in a TDM basis on both physical channels according to which Peripheral is being addressed.

Piconet D and piconet F are both using only a basic piconet physical channel (represented by the cyan and magenta enclosures respectively). In the case of piconet D this is because device J does not support the adaptive hopping mode. Although device D supports adaptive hopping it cannot use it in this piconet. In piconet F device F does not support adaptive hopping, and therefore it cannot be used in this piconet.



Piconet M (represented by the orange enclosure) uses a Connectionless Peripheral Broadcast physical link over the adaptive piconet physical channel to send Profile Broadcast Data from the transmitter device M to many Receiver devices including E and N.

Device K is shown in the same locality as the other devices. It is not currently a member of a piconet, but has services that it offers to other Bluetooth devices. It is currently listening on its inquiry scan physical channel (represented by the green enclosure), awaiting an inquiry request from another device.

Device L is shown in the same locality as the other devices. It is not currently a member of a piconet, but is currently listening on its synchronization scan physical channel (represented by the brown enclosure), awaiting a synchronization train from another device.

4.1.2 LE topology

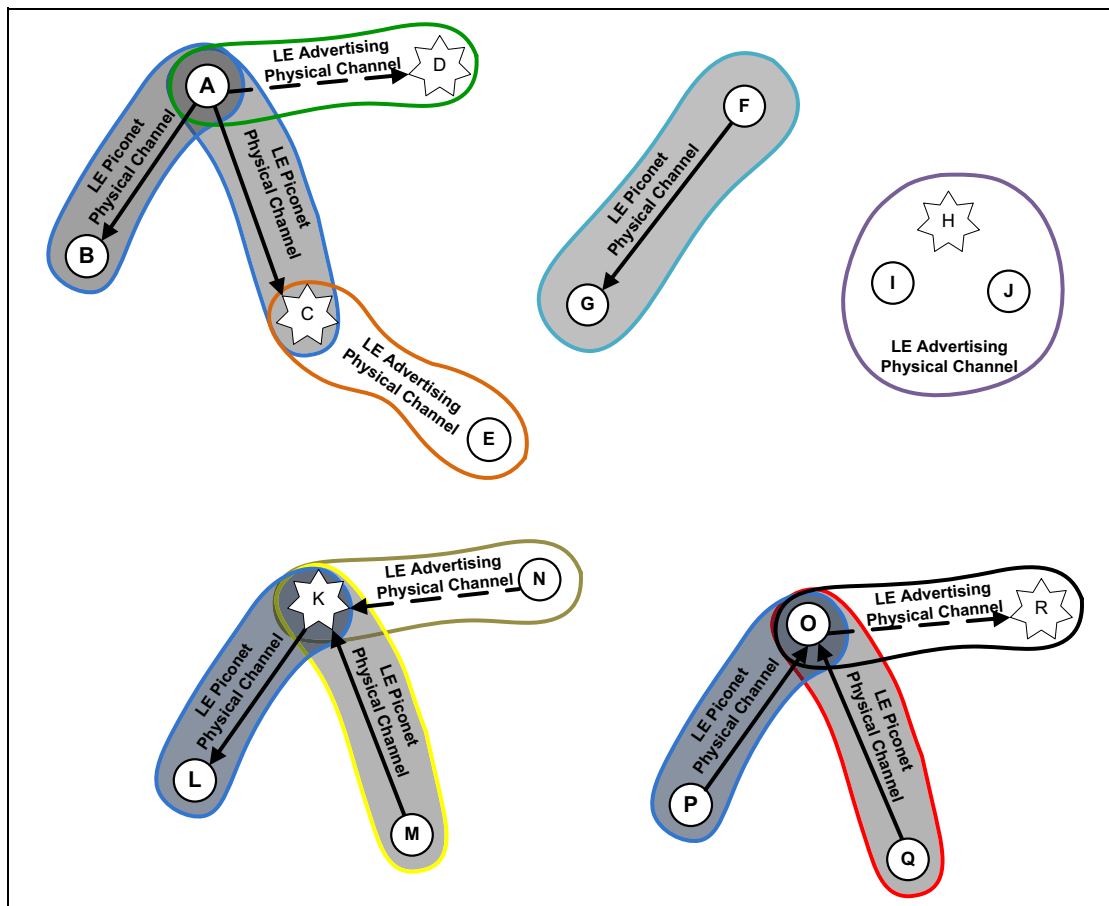


Figure 4.2: Example of Bluetooth LE topology

In Figure 4.2 an example topology is shown that demonstrates a number of the LE architectural features described below. Device A is a Central in two piconets (represented by the shaded areas) with devices B and C as the respective Peripherals. Unlike BR/EDR Peripherals, LE Peripherals do not share a single



piconet or a common physical channel with the Central. Each Peripheral communicates on a separate physical channel with the Central. One other piconet is shown with device F as Central and device G as a Peripheral. Device K is in a scatternet. Device K is Central of one piconet with device L as the Peripheral and is Peripheral of a second piconet with device M as the Central. Device O is also in a scatternet. Device O is the Peripheral of two piconets, one with device P as the Central and the other with device Q as the Central. In the figure, solid arrows point from Central to Peripheral; dashed arrows, indicating a connection initiation, point from initiator to advertiser using a connectable advertising event; devices that are advertising are indicated using stars.

There are five other groups of devices shown:

1. Device D is an advertiser and device A is also an initiator.
2. Device E is a scanner and device C is also an advertiser.
3. Device H is an advertiser and devices I and J are scanners.
4. Device K is also an advertiser and device N is an initiator.
5. Device R is an advertiser and device O is also an initiator.

Devices A and B are using one LE piconet physical channel (represented by the blue enclosure and a dark gray background). Devices A and C are using another LE piconet physical channel (represented by the blue enclosure and a lighter gray background). Device D is advertising using a connectable advertising event on the advertising physical channel (represented by the green enclosure) and device A is an initiator. Device A can form a connection with device D, creating a new piconet. Device C is also advertising on the advertising physical channel (represented by the orange enclosure) using any type of advertising events that are being captured by device E as a scanner. Devices C and D may be using different advertising PHY channels or different timings to avoid collisions.

Devices F and G are using a piconet and an LE piconet physical channel (represented by the aqua enclosure). Device F is the Central and device G is the Peripheral.

Devices H, I and J are using the LE advertising physical channel (represented by the purple enclosure). Device H is an advertiser and devices I and J are scanners.

In the scatternet involving device K, devices K and L are using one piconet and LE piconet physical channel. Devices K and M are using another piconet and LE piconet physical channel. Device K is also advertising using a connectable advertising event on the advertising physical channel and device N is an initiator. Device N can form a connection with device K resulting in device K being Peripheral of two devices and Central of one device at the same time.

In the scatternet involving device O, devices O and P are using one piconet and LE piconet physical channel. Devices O and Q are using another piconet



and LE piconet physical channel. Device R is advertising using a connectable advertising event on the advertising physical channel and device O is an initiator. Device O can form a connection with device R resulting in device O being Peripheral of two devices and Central of one device at the same time.

4.2 OPERATIONAL PROCEDURES AND MODES

The typical operational mode of a Bluetooth device is to be connected to other Bluetooth devices (in a piconet) and exchanging data with those Bluetooth devices. As Bluetooth is an ad-hoc wireless communications technology, there are a number of operational procedures that enable piconets to be formed so that the subsequent communications can take place. Procedures and modes are applied at different layers in the architecture and therefore a device may be engaged in a number of these procedures and modes concurrently.

4.2.1 BR/EDR procedures

4.2.1.1 *Inquiry (discovering) procedure*

Bluetooth devices use the inquiry procedure to discover nearby devices, or to be discovered by devices in their locality.

The inquiry procedure is asymmetrical. A Bluetooth device that tries to find other nearby devices is known as an inquiring device and actively sends inquiry requests. Bluetooth devices that are available to be found are known as discoverable devices and listen for these inquiry requests and send responses. The inquiry procedure uses a special physical channel for the inquiry requests and responses.

Both inquiring and discoverable devices may already be connected to other Bluetooth devices in a piconet. Any time spent inquiring or occupying the inquiry scan physical channel needs to be balanced with the demands of the QoS commitments on existing logical transports.

The inquiry procedure does not make use of any of the architectural layers above the physical channel, although a transient physical link may be considered to be present during the exchange of inquiry and inquiry response information.

4.2.1.1.1 *Extended Inquiry response*

An Extended Inquiry Response can be used to provide miscellaneous information during the inquiry response procedure. Data types are defined for such things as local name and supported services, information that otherwise would have to be obtained by establishing a connection. A device that receives a local name and a list of supported services in an extended inquiry response does not have to connect to do a remote name request and an SDP service search, thereby shortening the time to useful information. It is recommended



that a device includes all supported services and a significant portion of its local name, if that name is too long to be sent in its entirety, in the extended inquiry response.

Extended inquiry response data can be transmitted encrypted or unencrypted. Unencrypted data can be interpreted by any device. Encrypted data can be received by any device but can only be decrypted and authenticated by devices that have previously shared the session key used to encrypt the data.

The extended inquiry response procedure is backwards compatible with the standard inquiry response procedure.

4.2.1.2 Paging (connecting) procedure

The procedure for forming connections is asymmetrical and requires that one Bluetooth device carries out the page (connection) procedure while the other Bluetooth device is connectable (page scanning). The procedure is targeted, so that the page procedure is only responded to by one specified Bluetooth device.

The connectable device uses a special physical channel to listen for connection request packets from the paging (connecting) device. This physical channel has attributes that are specific to the connectable device, hence only a paging device with knowledge of the connectable device is able to communicate on this channel.

Both paging and connectable devices may already be connected to other Bluetooth devices. Any time spent paging or occupying the page scan physical channel needs to be balanced with the demands of the QoS commitments on existing logical transports.

4.2.1.3 Connected mode

After a successful connection procedure over the BR/EDR Controller, there is a piconet physical channel to which both devices are connected, there is a physical link between the devices, and there are default ACL-C, ACL-U, APB-C, and APB-U logical links. Two of these links (ACL-C and APB-C) transport the LMP control protocol and are invisible to the layers above the Link Manager. The ACL-U link transports the L2CAP signaling protocol and any multiplexed L2CAP best-effort channels. The APB-U link transports L2CAP channels that are broadcast to all Peripherals on the piconet. It is common to refer to a default ACL logical transport, which can be resolved by context, but typically refers to the default ACL-U logical link.

When in the connected mode it is possible to create and release additional logical links and to change the modes of the physical and logical links while remaining connected to the piconet physical channel. It is also possible for the device to carry out inquiry, paging or scanning procedures or to be connected to other piconets without needing to disconnect from the original piconet



physical channel. These actions are done using the Link Manager, which exchanges Link Manager protocol messages with the remote Bluetooth device.

During the time that a Peripheral is actively connected to a piconet there is always a default ACL logical transport between the Peripheral and the Central. The only method of deleting the default ACL logical transport is to detach the device from the piconet physical channel, at which time the entire hierarchy of L2CAP channels, logical links, and logical transports between the devices is deleted.

4.2.1.4 Hold mode

Hold mode is not a general device mode, but applies to unreserved slots on the physical link. When in this mode, the physical link is only active during slots that are reserved for the operation of the synchronous link types SCO and eSCO. All asynchronous links are inactive. Hold modes operate once for each invocation and are then exited when complete, returning to the previous mode.

4.2.1.5 Sniff mode

Sniff mode is not a general device mode, but applies to the default ACL logical transports. When in this mode the availability of these logical transports is modified by defining a duty cycle consisting of periods of presence and absence. Devices that have their default ACL logical transports in Sniff mode may use the absent periods to engage in activity on another physical channel, or to enter reduced power mode. Sniff mode only affects the default ACL logical transports (i.e. their shared ACL logical transport), and does not apply to any additional SCO or eSCO logical transports that may be active. The periods of presence and absence of the physical link on the piconet physical channel is derived as a union of all logical transports that are built on the physical link.

Sniff subrating provides a mechanism for further reducing the active duty cycle, thereby enhancing the power-saving capability of Sniff mode, by allowing a Host to specify maximum transmit and receive latencies. This allows the basebands to optimize the low power performance without having to exit and re-enter Sniff mode using Link Manager commands.

Broadcast logical transports have no defined expectations for presence or absence. A Central should aim to schedule broadcasts to coincide with periods of physical link presence within the piconet physical channel, but this is not always possible or practical. Repetition of broadcasts is defined to improve the possibilities for reaching multiple Peripherals without overlapping presence periods. However, broadcast logical transports cannot be considered to be reliable.

4.2.1.6 [This section is no longer used]



4.2.1.7 Role switch procedure

The role switch procedure is a method for swapping the roles of two devices connected in a piconet. The procedure involves moving from the physical channel that is defined by the original Central to the physical channel that is defined by the new Central. In the process of swapping from one physical channel to the next, the hierarchy of physical links and logical transports over the BR/EDR Controller are removed and rebuilt, with the exception of the APB logical transport that is implied by the topology and is not preserved. After the role switch, the original piconet physical channel may cease to exist or may be continued if the original Central had other Peripherals that are still connected to the channel.

The procedure only moves the default ACL logical links and supporting layers to the new physical channel. Any additional logical transports are not copied by this procedure, and if required this must be carried out by higher layers. The LT_ADDRs of any affected transports will be reassigned on the new physical channel and, therefore, may change.

If there are any QoS commitments on the original logical transports, then these are not preserved after a role switch. These must be renegotiated after the role switch has completed.

4.2.1.8 Enhanced Data Rate

Enhanced Data Rate is a method of extending the capacity and types of Bluetooth packets for the purposes of increasing the maximum throughput, providing better support for multiple connections, and lowering power consumption, while the remainder of the architecture is unchanged.

Enhanced Data Rate may be selected as a mode that operates independently on each logical transport. Once enabled, the packet type bits in the packet header are interpreted differently from their meaning in Basic Rate mode. This different interpretation is clarified in conjunction with the logical transport address field in the header. The result of this interpretation allows the packet payload header and payload to be received and demodulated according to the packet type. Enhanced Data Rate can be enabled only for the ACL and eSCO logical transports and cannot be enabled for the SCO and broadcast logical transports.

4.2.1.9 Connectionless Peripheral Broadcast mode

Connectionless Peripheral Broadcast mode allows a piconet Central to transmit profile broadcast data to any number of connected Peripherals using the BR/EDR adapted piconet physical channel. To enter this mode, the Central reserves a specific logical transport address for the CPB logical transport and starts broadcasting data using the Connectionless Peripheral Broadcast physical link and the synchronization train procedure. A single Profile Broadcast Data logical link is defined, which carries profile broadcast data



using the Connectionless Peripheral Broadcast logical transport. The profile broadcast data is unframed and bypasses L2CAP.

To receive the Connectionless Peripheral Broadcast packets, a device must connect with the Connectionless Peripheral Broadcast Transmitter which has already established a CPB logical transport. To connect, a device follows the Synchronization Scan procedure to obtain the time schedule of the physical link and then starts receiving the Connectionless Peripheral Broadcast packets. Once connected, Connectionless Peripheral Broadcast receivers can receive profile broadcast data on the dedicated CPB logical transport and PBD logical link.

4.2.2 LE procedures

4.2.2.1 Device filtering procedure

The device filtering procedure is a method for Controllers to reduce the number of devices requiring communication responses. Since it is not required to respond to requests from every device, it reduces the number of transmissions an LE Controller is required to make which reduces power consumption. It also reduces the communication the Controller would be required to make with the Host. This results in additional power savings since the Host does not have to be involved.

An advertising or scanning device may employ device filtering to restrict the devices from which it receives advertising packets, scan requests or connection requests. In LE, some advertising packets received by a scanning device require that the scanning device send a request to the advertising device. This advertisement can be ignored if device filtering is used and the advertising device is being filtered. A similar situation occurs with connection requests. Connection requests must be responded to by advertisers unless a device filter is used to limit the devices to which the advertiser is required to respond. Advertisers can also use device filters to limit the devices in which it will accept a scan request or connection request.

This device filtering is accomplished through the use of a “Filter Accept List” located in the LL block of the Controller. A Filter Accept List enumerates the remote devices that are allowed to communicate with the local device. When a Filter Accept List is in effect, transmissions from devices that are not in the Filter Accept List will be ignored by the LL. Since device filtering occurs in the LL it can have a significant impact on power consumption by filtering (or ignoring) advertising packets, scan requests or connection requests from being sent to the higher layers for handling.

The use of device filtering during certain procedures needs to be evaluated carefully to ensure devices are not unintentionally ignored, which may cause interoperability problems when attempting to establish connections or receive advertising broadcasts.



4.2.2.2 Advertising procedure

An advertiser uses the advertising procedure to perform unidirectional broadcasts to devices in the area. The unidirectional broadcast occurs without a connection between the advertising device and the listening devices. The advertising procedure can be used to establish connections with nearby initiating devices or used to provide periodic broadcast of user data to scanning devices listening on the advertising physical channel. The advertising procedure uses the primary advertising physical channel for all advertising broadcasts. However, the data may be offloaded on to the secondary advertising physical channel in one or more auxiliary packets to reduce both the occupancy of the primary advertising physical channel and the total on-air time and also to allow the data to be longer than the maximum that will fit into a single packet.

Advertising data can be transmitted encrypted or unencrypted. Unencrypted data can be interpreted by any scanning device. Encrypted data can be received by any scanning device but can only be decrypted and authenticated by devices that have previously obtained the session key used to encrypt the data.

An LE device connected in an LE piconet may also advertise using any type of advertising event. Time spent advertising while connected needs to be balanced with the connection requirements needed to maintain the already established connection(s).

Advertising devices may receive scan requests from listening devices in order to get additional user data from the advertising device. Scan responses are sent by the advertising device to the device making the scan request.

An advertising device may receive connection requests from initiator devices. If the advertising device was using a connectable advertising event and the initiating device is not being filtered by the device filtering procedure, the advertising device ceases advertising and enters the connected mode. The device can begin advertising again after it is in the connected mode.

When advertising on the LE Uncoded PHYs, scan requests and scan responses can take place on the same PHY channel as the original advertisement or can be offloaded to the secondary advertising physical channel. In some cases when advertising on the LE Uncoded PHYs, connection request and connection responses are offloaded to the secondary advertising physical channel. When advertising on the LE Coded PHY, scan requests, scan responses, connection requests, and connection responses are always offloaded. As with advertising data, offloading is carried out by having the initial advertisement on the primary advertising physical channel point to an auxiliary packet on the secondary advertising physical channel. Scan requests and scan responses, connection requests, and connection responses are made on the same PHY and same physical channel as the auxiliary packet.



4.2.2.3 Scanning procedure

A scanning device uses the scanning procedure to listen for unidirectional broadcasts of user data from advertising devices using the advertising physical channel. A scanning device can request additional user data from an advertising device by making a scan request. The advertising device responds to these requests with additional user data sent to the scanning device over the advertising physical channel.

The scanning procedure can be used while connected to other LE devices. Time spent scanning while connected needs to be balanced with the connection requirements needed to maintain the already established connection with the other LE device in each piconet.

If the broadcasts are connectable advertising events and the scanning device is in the initiator mode, it can initiate a connection by sending a connection request on the primary advertising physical channel or secondary advertising physical channel to the advertising device. Once the connection request is sent on the primary advertising physical channel, the scanning device ceases the initiator mode scanning for additional broadcasts and enters the connected mode. When the connection request is sent on the secondary advertising physical channel, the scanning device leaves the initiator mode, ceasing scanning for additional broadcasts, and enters the connected mode when it receives the connection response. The device can use the scanning procedure after it enters the connected mode, allowing it to be the Central in more than one piconet at a time.

4.2.2.4 Discovering procedure

Bluetooth devices use the advertising procedure and scanning procedure to discover nearby devices, or to be discovered by devices in a given area.

The discovery procedure is asymmetrical. A Bluetooth device that tries to find other nearby devices is known as a discovering device and listens for devices advertising scannable advertising events. Bluetooth devices that are available to be found are known as discoverable devices and actively broadcast scannable advertising events over the advertising broadcast physical channel.

Both discovering and discoverable devices may already be connected to other Bluetooth devices. Any time spent inquiring or occupying the advertising broadcast physical channel needs to be balanced with the connection requirements needed to maintain the already established connection with these other LE devices.

Using device filtering by the scanning device can prevent the scanning device from discovering all the devices in a given area.



4.2.2.5 Connecting procedure

The procedure for forming connections is asymmetrical and requires that one Bluetooth device carries out the advertising procedure while the other Bluetooth device carries out the scanning procedure. The advertising procedure can be targeted, so that only one device will respond to the advertising. The scanning device can also target an advertising device by first discovering that the advertising device is present in a connectable manner, and in the given area, and then scanning only connectable advertising events from that device using the device filter. After receiving connectable advertising events from the targeted advertising device, it can initiate a connection by sending the connection request to the targeted advertising device over the primary advertising physical channel or secondary advertising physical channel.

Time spent scanning while connected needs to be balanced with the connection requirements needed to maintain the already established connection with other LE devices.

4.2.2.6 Connected mode

After a successful connection procedure, the devices are physically connected to each other within a piconet. This means that there is a piconet physical channel to which they are both connected, there is a physical link between the devices, and there are default LE-C and LE-U logical links. When in the connected mode it is possible to change the properties of the physical and logical links while remaining connected to the piconet physical channel, such as changing the adaptive frequency hopping sequence or changing the maximum length of data packets. It is also possible for the device to carry out advertising, scanning or discovery procedures without needing to disconnect from the original piconet physical channel.

Additional logical links are created using the Link Manager that exchanges LL Protocol messages with the remote Bluetooth device to negotiate the creation and settings for these links. One of these links (LE-C) transports the LL control protocol and is invisible to the layers above the Link Manager. The other link (LE-U) transports the L2CAP signaling protocol and any multiplexed L2CAP best-effort channels. It is common to refer to a default LE ACL logical transport, which can be resolved by context, but typically refers to the default LE-U logical link.

These two logical links share a logical transport.

During the time that a Peripheral is actively connected to a piconet there is always a default LE ACL logical transport between the Peripheral and the Central. The method of deleting the default LE ACL logical transport is to detach the device from the piconet physical channel, at which time the entire hierarchy of L2CAP channels, logical links, and logical transports between the devices is deleted.



4.2.2.6.1 Connection Subrating

Connection subrating is a means of quickly modifying the effective connection interval of an existing LE ACL connection. It is accomplished by the Central and Peripheral skipping most of the underlying connection events; for example, if the subrating factor is set to 7 then only every 7th connection event is used.

When connection subrating is applied to an existing connection, the active duty cycle may be quickly reduced, saving power, but the original connection interval can be quickly restored for improved throughput when needed. Subrated connections rely on an underlying connection interval which is understood by both Central and Peripheral and, in so doing, allow reliable and immediate reductions and changes to the connection interval without waiting for connection updates which rely on an instant several connection events in the future. Devices that have subrated their default LE ACL logical transports may use the absent periods to engage in activity on another logical transport, or to enter reduced power mode. An LE subrated connection interval only affects the specified LE ACL logical transport and does not apply to any associated LE CIS logical transports that may be active.

4.2.2.7 Periodic advertising procedure

An advertiser uses the periodic advertising procedure to perform unidirectional periodic broadcasts to devices in the area. The unidirectional broadcast occurs without a connection between the advertising device and the listening devices. The periodic advertising procedure can be used to synchronize with nearby devices to provide deterministic periodic broadcast of user data to scanning devices listening on the advertising physical channel. The advertising procedure uses the primary and secondary advertising physical channel to broadcast control information about the periodic advertising, referred to as the periodic advertising synchronization information. The advertiser can also pass the periodic advertising synchronization information to another connected device over the LE-C logical link.

An LE device synchronized with other LE devices on the periodic physical channel uses the periodic advertising event. Time spent periodic advertising while connected or synchronized with other LE devices needs to be balanced with the connection and synchronization requirements needed to maintain the already established connection(s) or synchronizations.

4.2.2.8 Periodic advertising synchronization procedure

The procedure for synchronizing to periodic advertising consists of two parts: obtaining the periodic advertising synchronization information and then listening for the periodic advertisements. The first part may be done using either of two methods.

The first method requires that one Bluetooth device carries out the advertising procedure while the other Bluetooth device carries out the scanning procedure.



The scanning device can target an advertising device by first discovering that the advertising device is present and broadcasting periodic advertisements in the given area. The scanning device then needs to receive the advertising events containing the periodic advertising synchronization information from the targeted advertising device.

The second method requires that a device that already has the periodic advertising synchronization information passes it to another connected device over the LE-C logical link.

Once the receiving device has obtained the periodic advertising synchronization information, the second part of the procedure is for it to listen directly for those periodic advertising events; the receiving device is synchronized when it has successfully received one such event.

Synchronizing devices may already be advertising, scanning, or be connected to other Bluetooth devices in a piconet or synchronized to other periodic advertisements. Any time spent synchronizing to periodic advertising needs to be balanced with the requirements needed to maintain already established connections or synchronizations.

4.2.2.9 Periodic advertising synchronized mode

After a successful periodic advertising synchronization procedure, the devices are physically synchronized to each other. This means that there is a periodic physical channel to which they are both synchronized, there is a periodic physical link between the devices, and there is an ADVB-U and an ADVB-C logical link. It is also possible for the device to carry out advertising, scanning, or discovery procedures without needing to disconnect from the LE periodic physical channel.

A Link Layer that is listening to periodic advertising may report the data in the periodic advertisements to the Host. When it is not reporting the data to the Host, the Link Layer does not need to listen to as many events to maintain synchronization, thereby potentially providing more time for other procedures or reducing power consumption.

4.2.3 [This section is no longer used]



5 SECURITY OVERVIEW

5.1 SECURITY ARCHITECTURE

The Bluetooth security model includes five distinct security features: pairing, bonding, device authentication, encryption and message integrity.

- Pairing: the process for creating one or more shared secret keys
- Bonding: the act of storing the keys created during pairing for use in subsequent connections in order to form a trusted device pair
- Device authentication: verification that the two devices have the same keys
- Encryption: message confidentiality
- Message integrity: protects against message forgeries

The Bluetooth Core security architecture has evolved over time and therefore there are several security mechanisms.

BR/EDR Legacy Pairing utilizes the E21 or E22 algorithms based on SAFER+. Device authentication is based on the E1 algorithm, which is also based on SAFER+. Encryption utilizes the E0 algorithm derived from the Massey-Rueppel algorithm. There is no provision for cryptographic message integrity. While the CRC provides some integrity protection, it is not considered to provide cryptographic integrity as it can be easily forged.

Secure Simple Pairing utilizes FIPS-approved algorithms (SHA-256, HMAC-SHA-256 and the P-192 elliptic curve) and four association models: Just Works, Numeric Comparison, Passkey Entry and Out-Of-Band (see [Section 5.2](#)). Device authentication and encryption are the same as BR/EDR Legacy Pairing.

LE Legacy Pairing uses AES-CCM encryption and four association models similar to, though not the same as, those in Secure Simple Pairing. It also provides signed data and a privacy feature.

Secure Connections on the BR/EDR physical transport upgrades Secure Simple Pairing to utilize the P-256 elliptic curve and device authentication to use FIPS-approved algorithms (HMAC-SHA-256 and AES-CTR). Secure Connections also adds message integrity (AES-CCM).

Secure Connections on the LE physical transport upgrades LE Legacy Pairing to utilize FIPS-approved algorithms (AES-CMAC and P-256 elliptic curve) and adapts the Numeric Comparison association model of Secure Simple Pairing to be used on the Bluetooth LE physical transport. It also includes provisions for a key generated using Secure Connections on either physical transport to preclude the need for the user to pair a second time on the other physical transport.



The security key hierarchy for BR/EDR is shown in Figure 5.1. The key hierarchy is different depending on whether a physical link is using Secure Connections or legacy security procedures and algorithms.

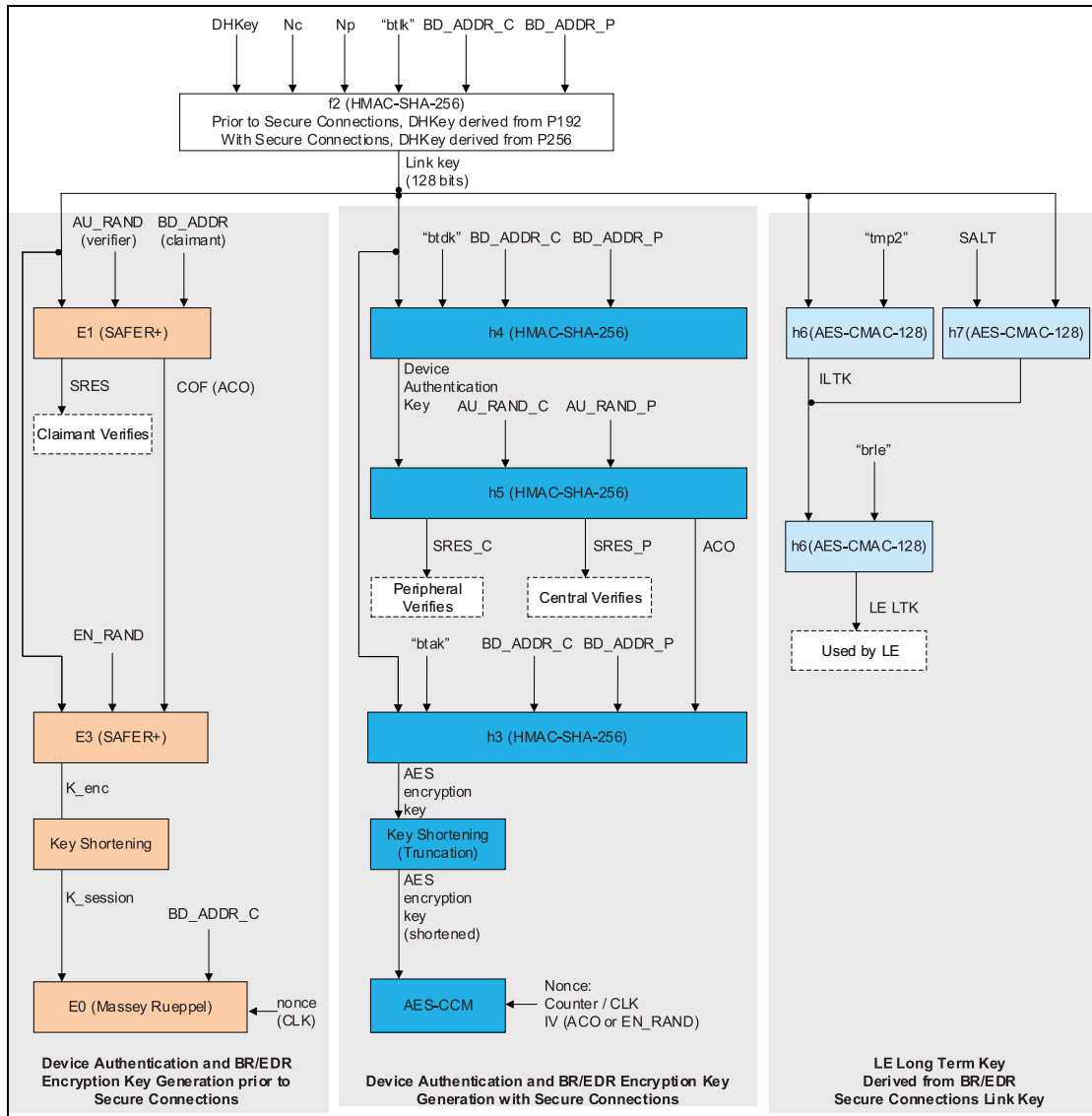


Figure 5.1: BR/EDR key hierarchy

The security key hierarchy for LE is shown in Figure 5.2. The key hierarchy is different depending on whether a physical link is using LE Secure Connections or LE legacy pairing procedures and algorithms.

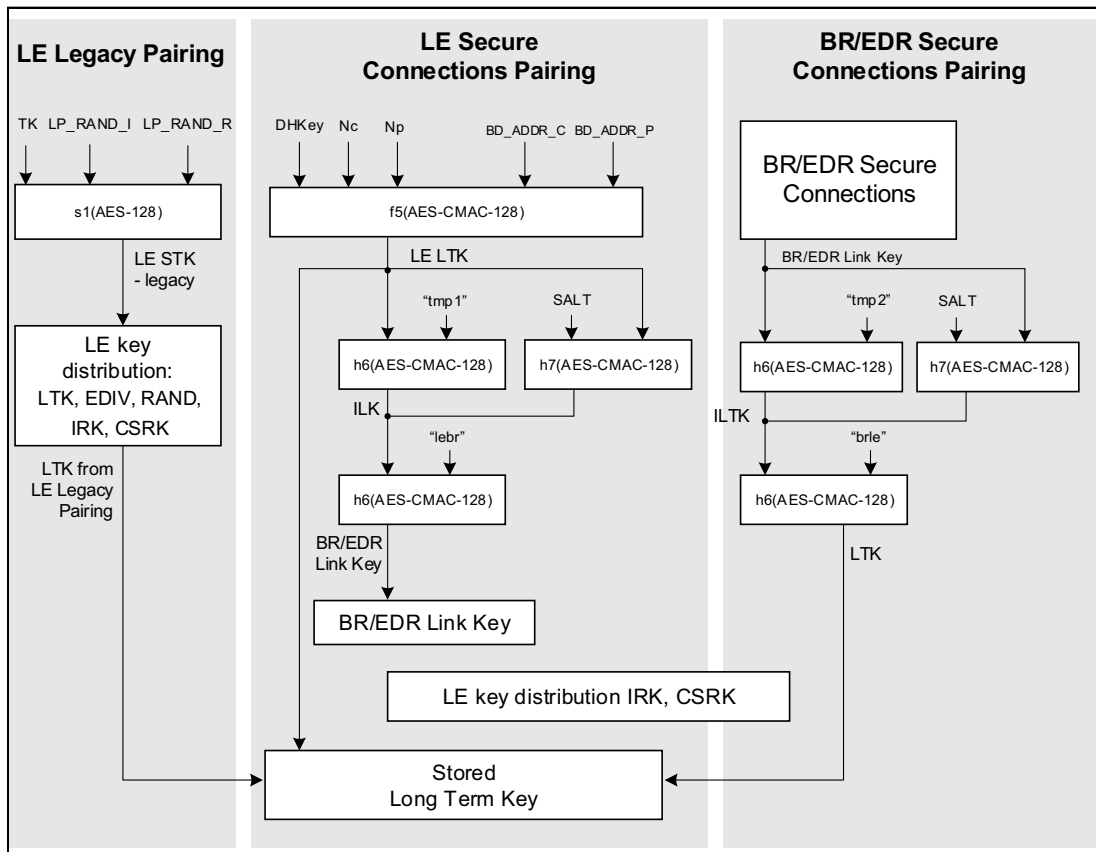


Figure 5.2: LE key hierarchy

The 5.2 version of the Core Specification adds a new LE security mode that enables transmission and reception of encrypted isochronous data over the Broadcast Isochronous Stream (BIS) logical transport.

5.2 BR/EDR SECURE SIMPLE PAIRING

The primary goal of Secure Simple Pairing is to simplify the pairing procedure for the user. Secondary goals are to maintain or improve the security in Bluetooth wireless technology. Since high levels of security and ease-of-use are often at opposite ends of the spectrum in many technologies and products, much care has been taken to maximize security while minimizing complexity from the end user's point of view.

5.2.1 Security goals

Secure Simple Pairing has two security goals: protection against passive eavesdropping and protection against man-in-the-middle (MITM) attacks (active eavesdropping). It is a goal of Secure Simple Pairing to exceed the maximum security level provided by the use of a 16 character, alphanumeric, case-sensitive PIN with BR/EDR Legacy Pairing, which often used a 4-digit PIN or a fixed PIN of commonly known values significantly limiting the security on the link.



5.2.2 Passive eavesdropping protection

A strong link key coupled with a strong encryption algorithm is necessary to give the user protection against passive eavesdropping. The strength of the link key is based on the amount of entropy (or randomness) in its generation process which would not be known by an attacker. Using legacy pairing, the only source of entropy is the PIN which, in many use cases, is typically four digits either selected by the user or fixed for a given product. Therefore, if the pairing procedure and one authentication exchange is recorded one can run an exhaustive search to find the PIN in a very short amount of time on commonly available computing hardware. With Secure Simple Pairing, the recording attack becomes much harder as the attacker must have solved a hard problem in public key cryptography in order to derive the link key from the recorded information. This protection is independent of the length of the passkey or other numeric values that the user must handle. Secure Simple Pairing gives the same resistance against the recording and passive eavesdropping attacks even when the user is not required to do anything.

Secure Simple Pairing uses Elliptic Curve Diffie Hellman (ECDH) public key cryptography as a means to thwart passive eavesdropping attacks. ECDH provides a very high degree of strength against passive eavesdropping attacks but it may be subject to MITM attacks, which however, are much harder to perform in practice than the passive eavesdropping attack (see [Section 5.2.3](#)).

Using BR/EDR Legacy Pairing with a 16 numeric digit PIN achieves about 53 bits of entropy whereas a 16 character, alphanumeric, case sensitive PIN yields about 95 bits of entropy when the entire 62 character set is used ([0, ... 9, 'A', ... 'Z', 'a', ... 'z']). For devices that do not support the Secure Connections feature, Secure Simple Pairing has approximately 96 bits of entropy using the FIPS approved P-192 elliptic curve which is at least as good as the entropy in BR/EDR Legacy Pairing using a 16 character, alphanumeric, case sensitive PIN. For devices that do support the Secure Connections feature, Secure Simple Pairing has approximately 128 bits of entropy using the FIPS-approved P-256 elliptic curve.

5.2.3 Man-in-the-middle protection

A man-in-the-middle (MITM) attack occurs when a user wants to connect two devices but instead of connecting directly with each other they unknowingly connect to a third (attacking) device that plays the role of the device they are attempting to pair with. The third device then relays information between the two devices giving the illusion that they are directly connected. The attacking device may even eavesdrop on communication between the two devices (known as active eavesdropping) and is able to insert and modify information on the connection. In this type of attack, all of the information exchanged between the two devices are compromised and the attacker may inject commands and information into each of the devices thus potentially damaging the function of the devices. Devices falling victim to the attack are capable of communicating only when the attacker is present. If the attacker is not active or



out range, the two victim devices will not be able to communicate directly with each other and the user will notice it.

To prevent MITM attacks, Secure Simple Pairing offers two user assisted numeric methods: numerical comparison or passkey entry. If Secure Simple Pairing would use 16 decimal digit numbers, then the usability would be the same as using legacy pairing with 16 decimal digit PIN. The chance for a MITM to succeed inserting its own link keys in this case is a 1 in $10^{16} = 2^{53}$ pairing instances, which is an unnecessarily low probability.

Secure Simple Pairing protects the user from MITM attacks with a goal of offering a 1 in 1,000,000 chance that a MITM could mount a successful attack. The strength of the MITM protections was selected to minimize the user impact by using a six digit number for numerical comparison and Passkey entry. This level of MITM protection was selected since, in most cases, users can be alerted to the potential presence of a MITM attacker when the connection process fails as a result of a failed MITM attack. While most users feel that provided that they have not compromised their passkey, a 4-digit key is sufficient for authentication (i.e. bank card PIN codes), the use of six digits allows Secure Simple Pairing to be FIPS compliant and this was deemed to have little perceivable usability impact.

5.2.4 Association models

Secure Simple Pairing uses four association models referred to as Numeric Comparison, Just Works, Out Of Band, and Passkey Entry. Each of these association models are described in more detail in the following sections.

The association model used is deterministic based on the I/O capabilities of the two devices.

5.2.4.1 Numeric Comparison

The Numeric Comparison association model is designed for scenarios where both devices are capable of displaying a six digit number and both are capable of having the user enter "yes" or "no". A good example of this model is the cell phone / PC scenario.

The user is shown a six digit number (from "000000" to "999999") on both displays and then asked whether the numbers are the same on both devices. If "yes" is entered on both devices, the pairing is successful.

The numeric comparison serves two purposes. First, since many devices do not have unique names, it provides confirmation to the user that the correct devices are connected with each other. Second, the numeric comparison provides protection against MITM attacks (see [Section 5.2.3](#)).

There is a significant difference from a cryptographic point of view between Numeric Comparison and the PIN entry model used by BR/EDR Legacy



Pairing. In the Numeric Comparison association model, the six digit number is an artifact of the security algorithm and not an input to it, as is the case in the PIN entry model. Knowing the displayed number is of no benefit in decrypting the encoded data exchanged between the two devices.

5.2.4.2 Just Works

The Just Works association model is primarily designed for scenarios where at least one of the devices does not have a display capable of displaying a six digit number nor does it have a keyboard capable of entering six decimal digits. A good example of this model is the cell phone/mono headset scenario where most headsets do not have a display.

The Just Works association model uses the Numeric Comparison protocol but the user is never shown a number and the application may simply ask the user to accept the connection (exact implementation is up to the manufacturer).

The Just Works association model provides the same protection as the Numeric Comparison association model against passive eavesdropping but offers no protection against the MITM attack.

When compared against today's experience of a headset with a fixed PIN, the security level of the Just Works association model is considerably higher since a high degree of protection against passive eavesdropping is realized.

5.2.4.3 Out of Band

The Out of Band (OOB) association model is primarily designed for scenarios where an Out of Band mechanism is used to both discover the devices as well as to exchange or transfer cryptographic numbers used in the pairing process. In order to be effective from a security point of view, the Out of Band channel should provide different properties in terms of security compared to the Bluetooth radio channel. The Out of Band channel should be resistant to MITM attacks. If it is not, security may be compromised during authentication.

The user's experience differs a bit depending on the Out of Band mechanism. As an example, with a Near Field Communication (NFC) solution, the user(s) will initially touch the two devices together, and is given the option to pair the first device with the other device. If "yes" is entered, the pairing is successful. This is a single touch experience where the exchanged information is used in both devices. The information exchanged includes discovery information (such as the Bluetooth Device Address) as well as cryptographic information. One of the devices will use a Bluetooth Device Address to establish a connection with the other device. The rest of the exchanged information is used during authentication.

The OOB mechanism may be implemented as either read only or read/write. If one side is read only, a one-way authentication is performed. If both sides are read/write, a two-way authentication is performed.



The OOB protocol is selected only when the pairing process has been activated by previous OOB exchange of information and one (or both) of the device(s) gives OOB as the IO capabilities. The protocol uses the information which has been exchanged and simply asks the user to confirm connection.

The OOB association model supports any OOB mechanism where cryptographic information and the Bluetooth Device Address can be exchanged. The OOB association model does not support a solution where the user has activated a Bluetooth connection and would like to use OOB for authentication only.

5.2.4.4 Passkey Entry

The Passkey Entry association model is primarily designed for the scenario where one device has input capability but does not have the capability to display six digits and the other device has output capabilities. A good example of this model is the PC and keyboard scenario.

The user is shown a six digit number (from "000000" to "999999") on the device with a display, and is then asked to enter the number on the other device. If the value entered on the second device is correct, the pairing is successful.

There is a significant difference from a cryptographic point of view between Passkey Entry and the PIN entry model used by BR/EDR Legacy Pairing. In the Passkey Entry association model, the six digit number is independent of the security algorithm and not an input to it, as is the case in the PIN entry model. Knowing the entered number is of no benefit in decrypting the encoded data exchanged between the two devices.

5.2.4.5 Association model overview

The following diagram shows Secure Simple Pairing from the point of view of the technology used for discovery and then the different association possibilities.

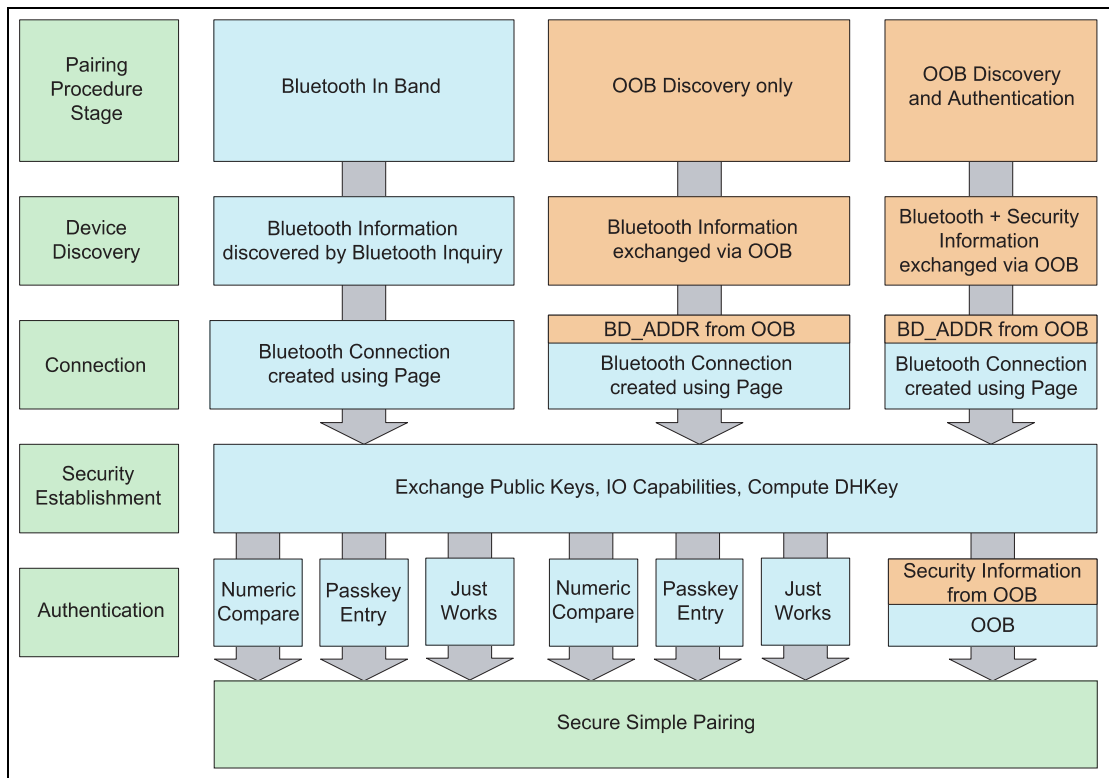


Figure 5.3: Secure Simple Pairing association models

5.3 SECURE CONNECTIONS ONLY MODE

When a device requires that only FIPS-approved algorithms are used on the BR/EDR or LE physical transport, it should enter Secure Connections Only Mode. Secure Connections Only Mode is sometimes called a "FIPS Mode". This mode should be used when it is more important for a device to have high security than it is for it to maintain backwards compatibility with devices that do not support Secure Connections. The Host will enforce that the P-256 elliptic curve is used during pairing and that, on the BR/EDR physical transport, the secure authentication sequences are used and AES-CCM is used for encryption.

If a BR/EDR/LE device is configured in Secure Connections Only Mode, then both the BR/EDR and the LE transports will be in Secure Connections Only Mode.

5.4 LE SECURITY

LE Legacy Pairing has some differences in security aspects compared to BR/EDR security features such as Secure Simple Pairing. The association models are similar to BR/EDR Secure Simple Pairing from the user perspective and have the same names but have differences in the quality of the protection provided.



5.4.1 Association models

Bluetooth LE uses four association models referred to as Just Works, Numeric Comparison, Out of Band and Passkey Entry. LE legacy pairing does not have an equivalent of Numeric Comparison.

In LE legacy pairing, each of these association models is similar to BR/EDR Secure Simple Pairing with the following exceptions.

- Just Works and Passkey Entry do not provide any passive eavesdropping protection. This is because Secure Simple Pairing uses Elliptic Curve Diffie-Hellman and LE legacy pairing does not.

In LE Secure Connections pairing, the four association models are functionally equivalent to BR/EDR Secure Connections.

The use of each association model is based on the I/O capabilities of the devices.

5.4.2 Key generation

Key generation in Bluetooth LE is performed by the Host on each LE device independent of any other LE device. By performing key generation in the Host, the key generation algorithms can be upgraded without the need to change the Controller.

Note: Key generation in BR/EDR is performed in the Controller.

Bluetooth LE uses multiple keys, each for a specific purpose, as follows:

- Confidentiality of data and device authentication
- Authentication of unencrypted data
- Device Identity

In LE, the key used to provide confidentiality and authentication is generated by combining contributions from each device during pairing.

5.4.3 Encryption

Encryption in Bluetooth LE uses AES-CCM cryptography. Like BR/EDR, in LE encryption is performed in the Controller.

5.4.4 Signed Data

Bluetooth LE supports the ability to send authenticated data over an unencrypted ATT bearer between two devices with a trusted relationship. This is accomplished by signing the data with a Connection Signature Resolving Key (CSRK). The sending device places a signature after the Data PDU. The receiving device verifies the signature and if the signature is verified the Data



PDU is assumed to come from the trusted source. The signature is composed of a Message Authentication Code generated by the signing algorithm and a counter. The counter is used to protect against a replay attack and is incremented on each signed Data PDU sent.

5.4.5 Privacy feature

Bluetooth LE supports a feature that reduces the ability to track a LE device over a period of time by changing the Bluetooth Device Address on a frequent basis.

In order for a device using the privacy feature to reconnect to known devices, the device address, referred to as the private address, must be resolvable by the other device. The private address is generated using the device's identity resolving key (IRK) exchanged during the bonding procedure.

The term "resolution" means a process used by a device to calculate the device Identity Address from the received private address and the IRK, while the state "resolved" is the successful result of a resolution.

There are two variants of the privacy feature. In the first variant, private addresses are resolved and generated by the Host. In the second variant, private addresses are resolved and generated by the Controller without involving the Host after the Host provides the Controller device identity information. In addition, the second variant may involve the Host when the resolving list in the Controller cannot store all the device identity resolving keys necessary for bonded devices.

There are two modes of privacy: device privacy mode and network privacy mode. A device in device privacy mode is only concerned about the privacy of the device and will accept advertising packets from peer devices that contain their Identity Address as well as ones that contain a private address, even if the peer device has distributed its IRK in the past. In network privacy mode, a device will only accept advertising packets from peer devices that contain private addresses. By default, network privacy mode is used when private addresses are resolved and generated by the Controller.

The Host maintains a resolving list by adding and removing device identities. The Host may provide the Controller with a complete resolving list or a subset of the resolving list. A device identity consists of the peer's Identity Address and a local and peer's IRK pair.

When the Controller performs address resolution and the Host needs to refer to a peer device that is included in the resolving list, it uses the peer's device Identity Address. Likewise, all incoming events from the Controller to the Host will use the peer's device identity, provided that the peer's device address has been resolved. If the Controller cannot resolve the peer's device Identity Address in an advertisement, it may pass the event to the Host for resolution in the Host.



Device filtering becomes possible when address resolution is performed in the Controller because the peer’s device Identity Address can be resolved prior to checking whether it is in the Filter Accept List.

Figure 5.4 shows a logical representation of the relationship between the Controller resolving list and the Controller Filter Accept List. Actual implementations of the resolving list and Filter Accept List are not required to follow this model. The resolving list may be independent of the Filter Accept List.

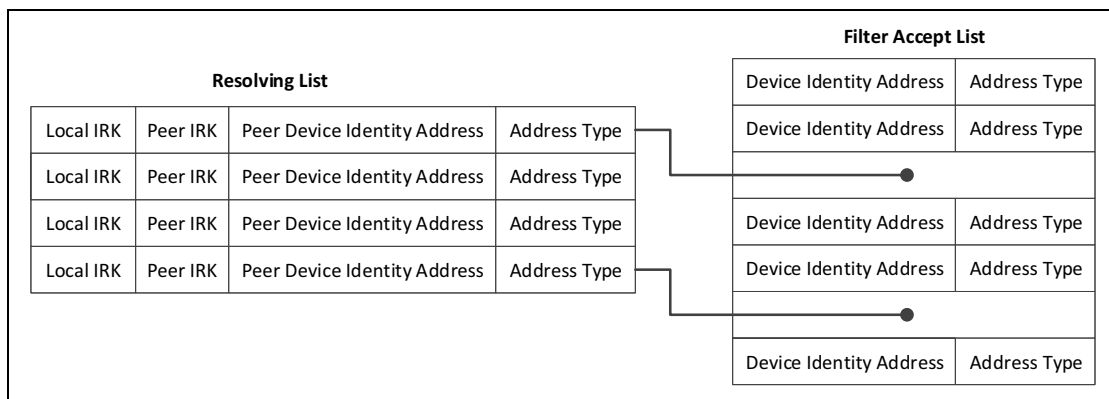


Figure 5.4: Logical representation of the resolving list and Filter Accept List

Note: Not all devices in the Filter Accept List are device Identity Addresses.

5.4.6 Encrypted Advertising Data

The privacy feature described in Section 5.4.5 allows the Bluetooth Device Address to be changed periodically while still allowing the fingerprinting of devices based on the contents of their advertising data. It is possible to encrypt advertising data by encapsulating the normal advertising data within an Encrypted Data data type using a pre-shared session key and a nonce. Because the encrypted advertising data nonce is changed whenever the private address is changed, the encrypted data before and after the change is also different. This approach prevents the tracking of devices based solely on the private address and advertising data.

The encrypted advertising data pre-shared session key is communicated only to peer devices that are authorized to receive such information. Only devices that have the key material can decrypt and authenticate messages and track the advertising device.

5.5 [THIS SECTION IS NO LONGER USED]



5.6 KEY GENERATION BETWEEN BR/EDR AND LE PHYSICAL TRANSPORTS

When two BR/EDR/LE devices support Secure Connections over both transports, keys for both transports may be generated during a single pairing procedure. The ability to convert keys from one transport to the other prevents the need to pair twice, thus enabling a better user experience.

The link key for BR/EDR generated during Phase 4 of Secure Simple Pairing on the BR/EDR physical transport may be converted to a Long Term Key (LTK) for use on the LE transport. Similarly, an LTK generated during Phase 2 of pairing on the LE physical transport may be converted to the BR/EDR Link Key for use on the BR/EDR physical transport.

6 BLUETOOTH APPLICATION ARCHITECTURE

6.1 BLUETOOTH PROFILES

Application interoperability in the Bluetooth system is accomplished by Bluetooth profiles. Bluetooth profiles define the required functions and features of each layer in the Bluetooth system from the PHY to L2CAP and any other protocols outside of this specification. The profile defines the vertical interactions between the layers as well as the peer-to-peer interactions of specific layers between devices.

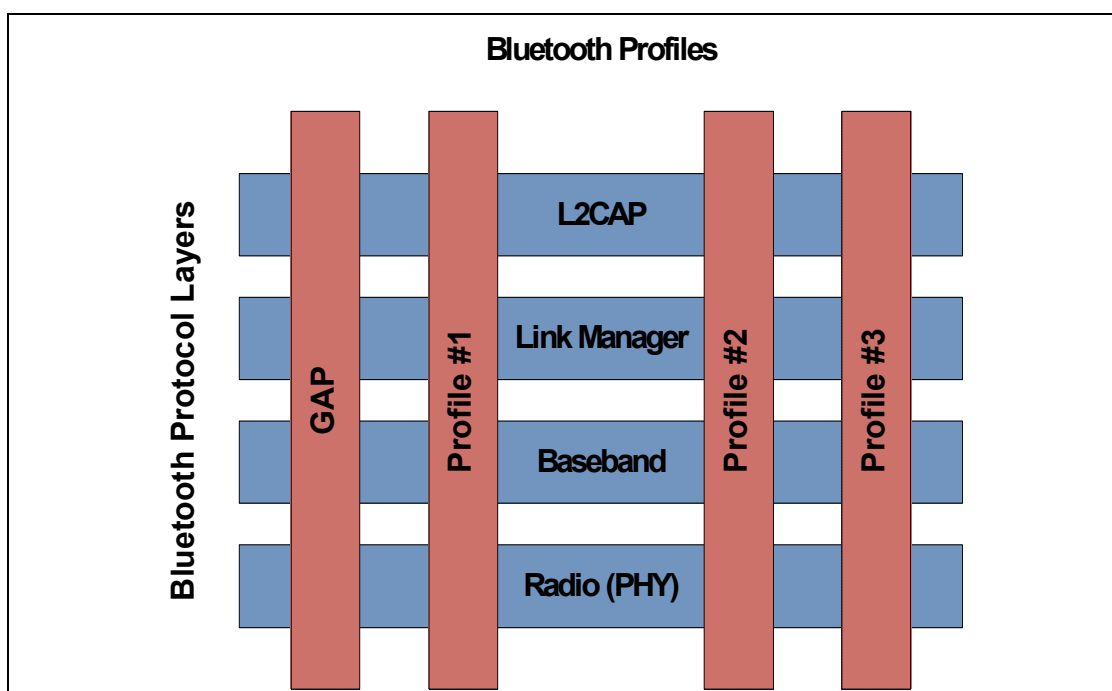


Figure 6.1: Bluetooth profiles

In addition, application behaviors and data formats are also defined by the profile. When two devices comply with all the requirements of a Bluetooth profile, interoperability of an application is enabled.

All profiles describe service discovery requirements necessary for devices to connect, find available application services and connection information necessary for making application level connections.

6.2 GENERIC ACCESS PROFILE

The Bluetooth system defines a base profile which all Bluetooth devices implement. This profile is the Generic Access Profile (GAP), which defines the basic requirements of a Bluetooth device. For instance, for BR/EDR, it defines a Bluetooth device to include the Radio, Baseband, Link Manager, L2CAP, and the Service Discovery protocol functionality; for LE, it defines the Physical



Layer, Link Layer, L2CAP, Security Manager, Attribute Protocol and Generic Attribute Profile. This ties all the various layers together to form the basic requirements for a Bluetooth device. It also describes the behaviors and methods for device discovery, connection establishment, security, authentication, association models and service discovery.

In BR/EDR, GAP defines a single role with functionality that may be present in each device. This functionality includes how devices discover each other, establish connections and describes security association models used for authentication. In BR/EDR this functionality may be present in both devices. It may be necessary for a device to implement both the initiating and accepting functionality if the device wants to discover or establish connections with all devices. A device may only include either the initiating or the accepting functionality but it requires the remote device to support the complimentary functionality to discover or establish connections with the device. For BR/EDR, the Controller is required to support all the functionality, however the Host may limit this functionality based on the other profiles or use cases supported by the device.

In LE, GAP defines four specific roles: Broadcaster, Observer, Peripheral, and Central. A device may support multiple LE GAP roles provided that the underlying Controller supports those roles or role combinations. Each role specifies the requirements for the underlying Controller. This allows for Controllers to be optimized for specific use cases.

The Broadcaster role is optimized for transmitter only applications. Devices supporting the Broadcaster role use advertising to broadcast data. The Broadcaster role does not support connections. The Observer role is optimized for receiver only applications. Devices supporting the Observer role are the complementary device for a Broadcaster and receives broadcast data contained in advertisements. The Observer role does not support connections. The Peripheral role is optimized for devices that support a single connection and are less complex than Centrals; it uses the Link Layer Peripheral role within the connection. The Central role supports multiple connections and is the initiator for all connections with devices in the Peripheral role; it uses the Link Layer Central role within the connection. Devices supporting the Central role generally support more complex functions compared to the other LE GAP roles.

6.3 PROFILE HIERARCHY

Since all Bluetooth devices are required to implement GAP, any additional profiles implemented by a Bluetooth device become supersets of GAP. Depending on the complexity of an application or the ability to reuse common requirements of functionality of the Bluetooth system between many applications, additional generic profiles can be created that depend on GAP or other generic profiles, as well as enabling other profiles. A top level profile that describes application interoperability is called an Application Profile.

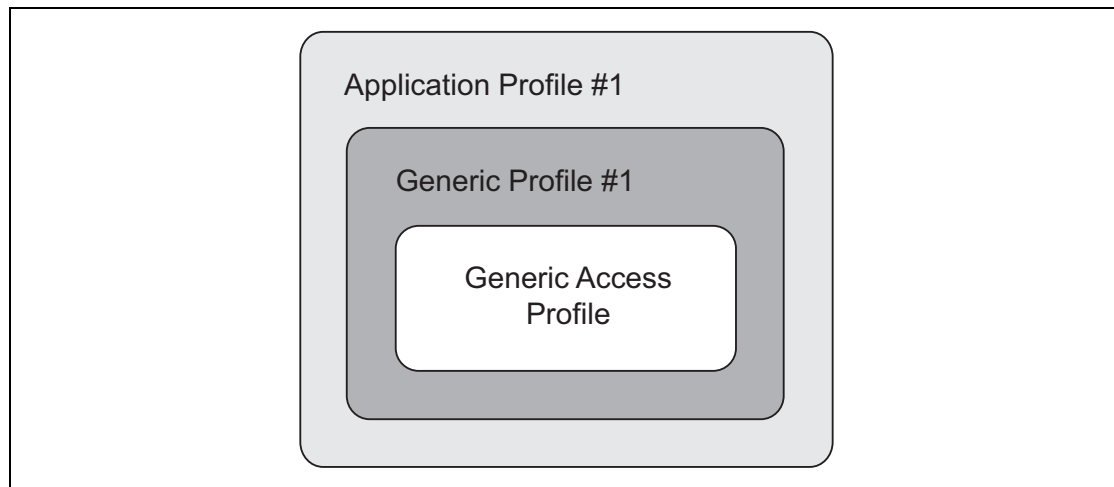


Figure 6.2: Profile hierarchy

Application profiles contain by reference GAP and any other generic profile that describes a set of common requirements of the Bluetooth system.

6.4 GENERIC ATTRIBUTE ARCHITECTURE

6.4.1 Attribute Protocol

To allow devices to read and write small data values held on a server, an Attribute Protocol (ATT) is defined. Each stored value, typically only a few octets, is known as an attribute. This protocol allows each attribute to be self-identifying using UUIDs to identify the type of data. These UUIDs can be well-known assigned numbers defined in the Assigned Numbers document and associated specifications, or a vendor assigned 128-bit UUID.

Attribute Protocol messages are sent over L2CAP channels, known as the ATT bearers.

Attribute Protocol defines two roles: Client and Server. A device can be both an ATT Client and an ATT Server at the same time. Attribute Protocol messages on a single ATT bearer allow a single transaction in each direction to be outstanding at a time. When a response to a message is received, the next transaction can be initiated. When multiple ATT bearers are created, each ATT bearer has a separate transaction model and therefore multiple ATT transactions can be outstanding at the same time, one per bearer. This can be used to allow multiple higher layer specifications to send messages concurrently.

The ATT Server stores the attributes and accepts Attribute Protocol requests, commands and confirmations from the ATT Client. The ATT Server sends responses to requests and, when configured by a higher layer, sends indications and notifications asynchronously to the ATT Client when specified events occur on the ATT Server.



6.4.2 Generic Attribute Profile

Generic Attribute Profile (GATT) is built on top of the Attribute Protocol (ATT) and establishes common operations and a framework for the data transported and stored by the Attribute Protocol. GATT defines two roles: Server and Client. A GATT Client or Server is an ATT Client or Server respectively that conforms to the requirements in GATT. The GATT roles are not necessarily tied to specific GAP roles but may be specified by higher layer profiles. GATT and ATT are not transport specific and can be used in both BR/EDR and LE. However, GATT and ATT are mandatory to implement in LE since it is used for discovering services.

GATT also specifies the format of data contained on the GATT Server. Attributes, as transported by the Attribute Protocol, are formatted as Services and Characteristics. Services may contain a collection of characteristics. Characteristics contain a single value and any number of descriptors describing the characteristic value.

With the defined structure of services, characteristics and characteristic descriptors a GATT Client that is not specific to a profile can still traverse the GATT Server and display characteristic values to the user. The characteristic descriptors can be used to display descriptions of the characteristic values that may make the value understandable by the user.

6.5 GATT-BASED PROFILE HIERARCHY

The GATT Profile specifies the structure in which profile data is exchanged. This structure defines basic elements such as services and characteristics, used in a profile.

The top level of the hierarchy is a profile. A profile is composed of one or more services necessary to fulfill a use case. A service is composed of characteristics or references to other services. Each characteristic contains a value and may contain optional information about the value. The service and characteristic and the components of the characteristic (i.e., value and descriptors) contain the profile data and are all stored in Attributes on the server.

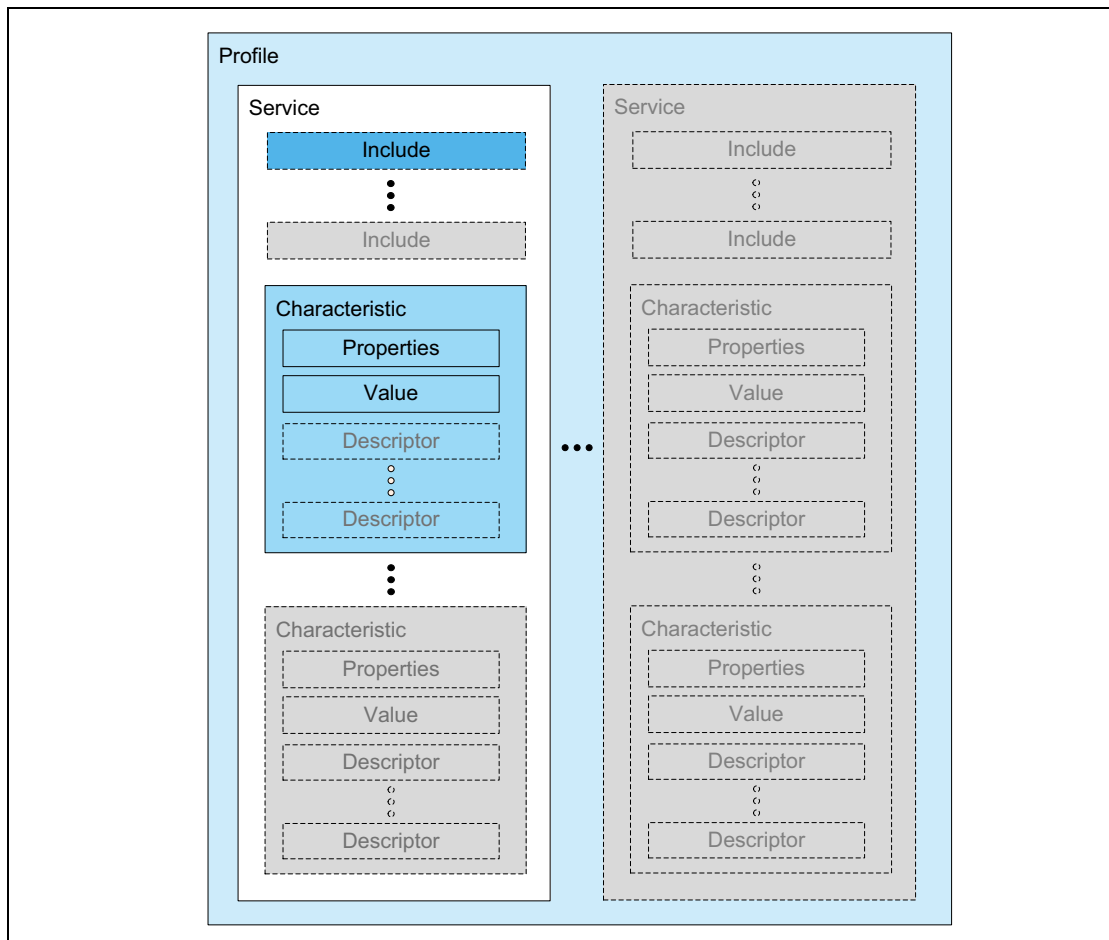


Figure 6.3: GATT-Based Profile hierarchy

6.5.1 Service

A service is a collection of data and associated behaviors to accomplish a particular function or feature of a device or portions of a device. A service may include other primary or secondary services and/or a set of characteristics that make up the service.

There are two types of services: primary and secondary. A primary service is a service that provides functionality of a device that can be used on its own. A secondary service is a service that provides additional functionality of a device in association with a primary service and is included from at least one primary service on the device.

To maintain backward compatibility with earlier clients, later revisions of a service definition can only add new included services or optional characteristics. Later revisions of a service definition are also forbidden from changing behaviors from previous revision of the service definition.

Services may be used in one or more profiles to fulfill a particular use case.



6.5.2 Included services

An included service is a method to incorporate another service definition on the server as part of the service including it. When a service includes another service, the entire included service becomes part of the new service including any nested included services and characteristics. The included service still exists as an independent service. There are no limits to the depth of nesting.

6.5.3 Characteristic

A characteristic is a value used in a service along with properties and configuration information about how the value is accessed and information about how the value is displayed or represented. A characteristic definition contains a characteristic declaration, characteristic properties, and a value. It may also contain descriptors that describe the value or permit configuration of the server with respect to the characteristic value.

6.6 MESH-BASED MODEL HIERARCHY

The Mesh Profile¹ specifies the structure within which data is exchanged by devices in a mesh network. This structure defines basic building blocks such as models and properties.

The top level of the hierarchy is a model, which is either a client model or a server model. A client model can send messages to a server model and the server model can use other messages to respond to the client model. Models enable devices to send standardized messages, using standardized data formats, to other devices that they have had no previous relationship with.

6.6.1 Model

A model is a collection of properties, states, messages, and associated behaviors that accomplishes a particular device function. A model defines and exposes states along with any associated behavior. It also defines the messages that are used to communicate between models within devices in a mesh network. Messages are defined globally and are not model-specific. Models are immutable meaning that features cannot be added to or removed from a model definition. Therefore, the only way to add features to a model is by defining a new model that extends an existing model by defining new states, messages, and behaviors. These new states and behaviors are linked to the existing model using state binding. This ensures backwards and forwards compatibility by allowing newer devices to access the newer features of the extended model, and older devices to access the base features of an existing model.

1. The Mesh Profile specification is available at <https://www.bluetooth.com/specifications>.



6.6.2 Properties

A property adds context to a defined characteristic. When sending data into a mesh network, it is very useful to label data with the meaning, or context, of that data. This allows a device that receives a property to interpret that data without having to negotiate the context beforehand. For example, a temperature characteristic can be given a context about how or when that temperature was measured such as “outside temperature”, “indoor temperature”, or “oil temperature”.

Properties are defined globally and are not model-specific.



7 COEXISTENCE AND COLLOCATION

Bluetooth devices operate in the unlicensed 2.4 GHz Industrial, Scientific and Medical (ISM) band. Many other technologies utilize the ISM band, including wireless LAN, cordless phones, and microwave ovens. The ISM band is also close enough to other frequency bands that Bluetooth devices may be an interferer of or a victim of other technologies.

Radios may be collocated or non-collocated. The term "collocated" is a loose one - in this specification, collocated radios are assumed to be in the same product (a Multi-Radio Terminal or MRT) and may have mechanisms to coordinate their activity in order to mitigate interference.

Determining the amount of expected isolation between radios is important for choosing an appropriate coexistence mechanism. With sufficient isolation, frequency division duplexing (FDD) techniques are the most efficient. With insufficient isolation or a shared antenna, time division duplexing (TDD) techniques need to be used. In many cases, a combination of FDD and TDD techniques are required to achieve acceptable levels of performance.

This specification supports a variety of features that help mitigate interference to other devices and to minimize interference from other devices. Broadly, the types of solutions fall into the following categories:

Type	Description
Frequency division	Simultaneous use of multiple radios enabled by filters and/or isolation
Time division	One radio may transmit or receive at a time through scheduling or prioritization
Time alignment	Activities of the collocated radios are aligned in the time domain to optimize performances by avoiding conflicting activities. E.g. Transmissions of multiple radios may occur simultaneously, multiple receptions may occur simultaneously, but it is not possible to transmit and receive simultaneously
Hybrid frequency and time division	Use of frequency division, time alignment, and time division techniques depending on the relative frequencies in use by the radios, filters and isolation

Table 7.1: Interference mitigation types



7.1 CORE FEATURES SUPPORTING COEXISTENCE AND COLLOCATION

There are features in the specification to specifically target the reduction of interference from collocated or non-collocated devices.

Feature	Version Introduced	Description
Adaptive Frequency Hopping	1.2	Allows devices to reduce the number of channels used in a piconet in order to avoid interferers
HCI Set Host Channel Classification	1.2	Allows a Host to inform the local Bluetooth Controller of the channels that are occupied by a collocated technology
Enhanced SCO (eSCO)	1.2	Added retransmissions to SCO for the purpose of combating interference
MWS Coexistence Signaling	CSA3	Provides a standardized interface between collocated radios for communicating information necessary to enable some coexistence techniques
Piconet Clock Adjust	4.1	Allows a Bluetooth device to align the piconet clock with an external technology, e.g. Long Term Evolution (LTE)
Train Nudging	4.1	Provides a mechanism to improve the success rate of page and inquiry when the slots to receive the respective responses are periodically not available
Generalized Interlaced Scanning	4.1	Provides a mechanism to improve the success rate of page scan and inquiry scan when some slots are periodically not available for scanning
Slot Availability Mask	5.0	Provides a mechanism for two Bluetooth devices to indicate to each other the availability of their time slots

Table 7.2: Interference mitigation features

7.2 ADAPTIVE FREQUENCY HOPPING

Adaptive Frequency Hopping (AFH) allows Bluetooth devices to improve their immunity to interference from and avoid causing interference to other devices in the 2.4 GHz ISM band. The basic principle is that Bluetooth channels are classified into two categories, used and unused, where used channels are part of the hopping sequence and unused channels are replaced in the hopping sequence by used channels in a pseudo-random way. This classification mechanism allows for the Bluetooth device to use either all or fewer than the 79 channels available. The minimum number of channels allowed by the Bluetooth specification is 20.

The specification defines the aspects of AFH necessary to ensure interoperability, including the hopping kernel, Baseband behavior, Link



Manager Protocol (LMP) commands, and Host Controller interface (HCI) commands and events required to change and configure hopping sequences. The Bluetooth Specification also defines a mechanism that allows for a Peripheral to report channel classification information to the Central.

Adaptive Frequency Hopping utilizes metrics obtained through many sources. These metrics are analyzed and then the resulting Channel_Map is used by the adaptive frequency hopping kernel. The metrics may come from over-the-air measurements, data supplied by the Host (via the HCI_Set_AFH_Host_Channel_Classification command), or reports by the Peripheral or from other hardware coexistence interfaces.

While AFH is a critical element in coexistence, it is not enough in some circumstances.

7.3 COEXISTENCE BETWEEN BLUETOOTH DEVICES AND WIRELESS LAN DEVICES

Coexistence between Bluetooth and Wireless LAN has traditionally been a combination of Adaptive Frequency Hopping (AFH) and proprietary techniques to prioritize traffic between the two protocols. The specification does not specify signaling between the Bluetooth Controller and a Wireless LAN device.

7.4 MOBILE WIRELESS STANDARDS (MWS) COEXISTENCE

Significant interference can be present between the Bluetooth radio and a collocated MWS radio operating in frequency bands adjacent to the 2.4 GHz ISM band. This interference can prevent one radio from receiving while the other radio is transmitting.

The “Filter recommendations for Coexistence with LTE and WiMAX” whitepaper¹ describes filter specifications that, in some cases, can reduce collocated interference to an acceptable level. The specification includes complementary solutions to traditional filtering including features for Bluetooth Controllers and Hosts as well as signaling and messaging mechanisms between collocated MWS and Bluetooth radios. [Figure 7.1](#) illustrates the general architecture model for these mechanisms. This architecture assumes separate antennas with limited isolation.

1. <https://www.bluetooth.com/develop-with-bluetooth/build/white-papers>

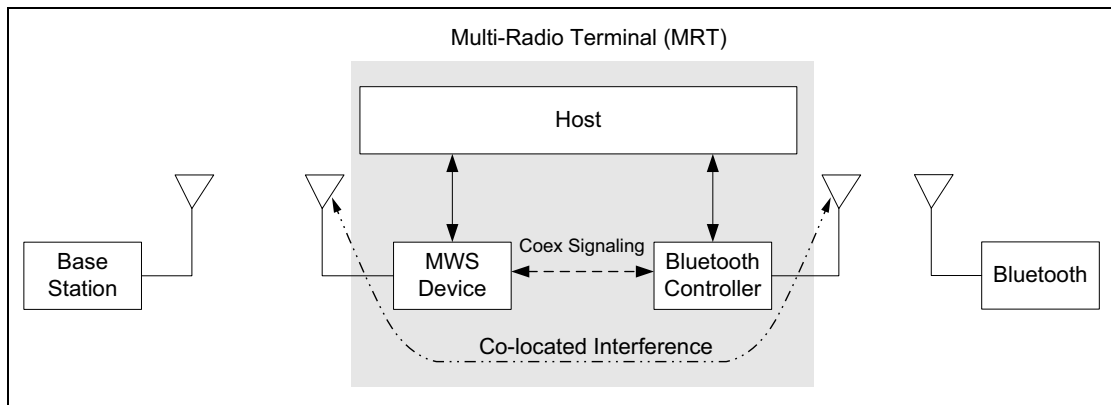


Figure 7.1: MWS coexistence architecture

Two types of solutions have been considered. In the first solution, both Bluetooth transmissions (TX) and receptions (RX) are constrained by collocated MWS activities. Solutions of this type are called Pure TDM (Time Division Multiplexed) Mode. In the second solution, only Bluetooth receptions are affected by collocated MWS transmissions and Bluetooth transmissions do not impact the operation of the collocated MWS. Solutions of this type are called Hybrid Mode and are achieved, for example, by using steep roll-off Band Select Filters (BSFs) for the ISM band in the Bluetooth transceiver. Hybrid Mode applies where the Bluetooth transmission's effect on MWS is sufficiently reduced via filtering that the Bluetooth device can transmit during the MWS downlink time. This requires a frequency guard band between the Bluetooth and MWS operational frequency ranges as well as constraints on both the Bluetooth BSF and the MWS BSF. The requirement for a time domain solution still remains, but only to protect Bluetooth reception.

These solutions are facilitated by an MWS coexistence signaling mechanism (see [Vol 7] Part A) and multiple transport layers (see [Vol 7] Part B and [Vol 7] Part C).

MWS technologies operate in licensed bands and use centralized scheduling to support Wide Area Network services. An MWS radio synchronizes both time and frequency with a network Base Station. The Base Station determines which MWS radio will transmit or receive and when. MWS radios have no control over when to transmit or receive. When Bluetooth transmissions interfere with MWS receptions in the MRT, the MWS radio can be rendered unusable if the Bluetooth radio transmits freely. Figure 7.2 shows how Bluetooth activity can interfere with every MWS reception opportunity and similarly how MWS transmissions can interfere with Bluetooth reception. In the example shown in Figure 7.2 the Bluetooth device in the MRT is operating as the Central of a piconet. Blocks marked with a "C" are single slot Central transmissions and those marked with a "P" are single slot Peripheral transmissions. The times at which reception by the MWS device may be corrupted by Bluetooth transmissions are marked with a red shade.

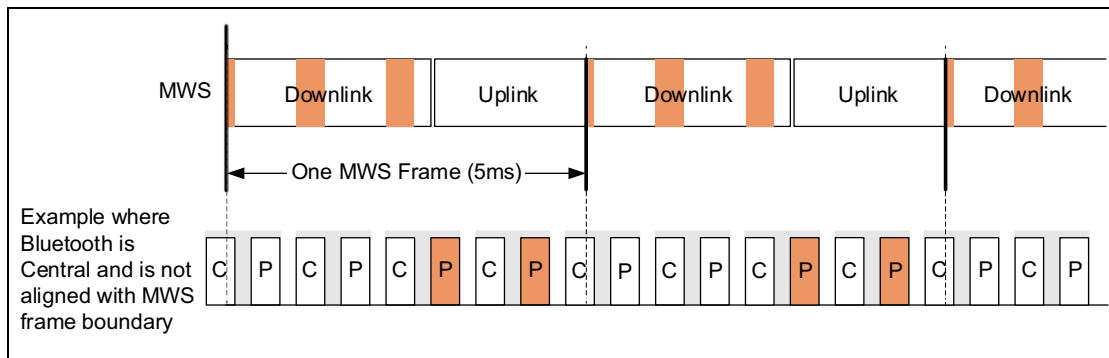


Figure 7.2: MWS receptions interfered with by uncontrolled Bluetooth transmissions

Even with the best relative timing relationship (when the Bluetooth slot boundary is aligned with the MWS frame boundary), the Bluetooth radio in the MRT suffers reduced transmission and reception opportunities due to time multiplexing with the collocated MWS radio. The Bluetooth radio only gets one transmission/reception opportunity every MWS frame, as shown in Figure 7.3.

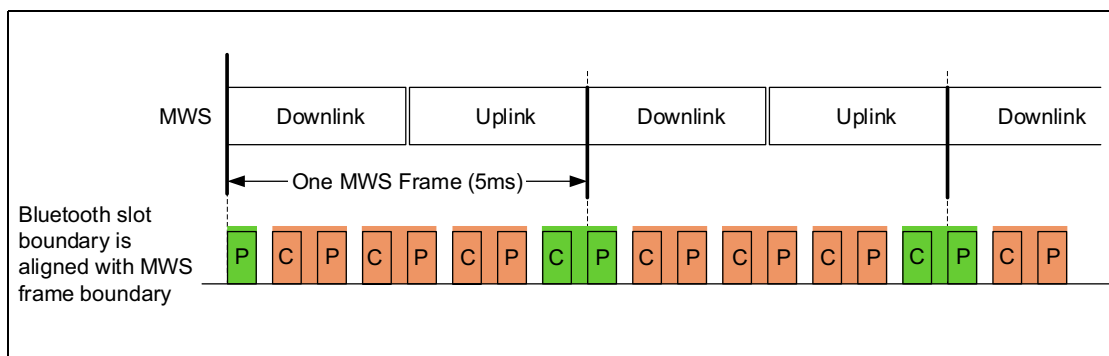


Figure 7.3: Bluetooth radio has reduced transmission/receiving opportunities

Consequently, three out of four (for 5 ms MWS frames) or seven out of eight (for 10 ms MWS frames) slot pairs of Bluetooth can be punctured by MWS activities. Furthermore, since Bluetooth inquiry and paging use a sequence of 16 channels at a time, when the Bluetooth radio in the MRT is performing inquiry or paging the channel sequence will repeat every 5 ms resulting in the same channels being repeatedly punctured by the collocated MWS activities, see Figure 7.4. As a result, there is a high probability that the remote scanning device will not be able to receive the page or inquiry IDs within the current timeout.

When the inquiry or paging channel sequence gets repeatedly punctured, Train Nudging can be used to add an additional offset to the clock bits in order to shift the channel sequence.

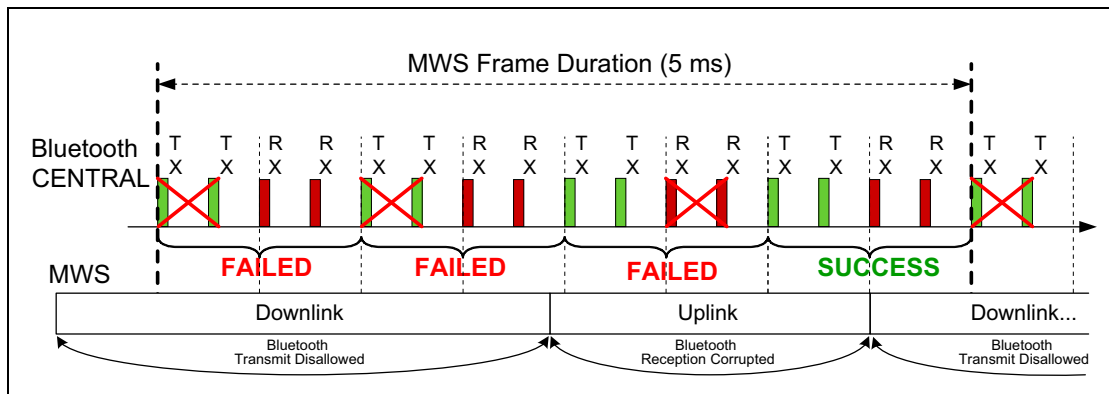


Figure 7.4: Bluetooth radio can suffer inquiry/page failures

As MWS transmissions interfere with Bluetooth receptions in the MRT, up to 50% of the transmitted IDs from the remote inquiry/page device will not be received by the Bluetooth radio in the MRT performing scanning, as shown in Figure 7.5.

Based on the pattern of slots that are not available for scanning, Generalized Interlaced Scanning can be used to tune the phase of the second scan during a back-to-back scan.

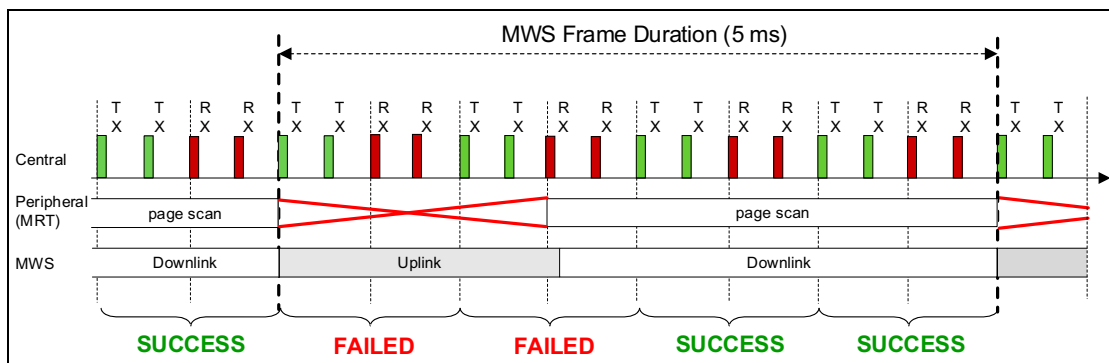


Figure 7.5: Bluetooth radio can suffer inquiry scan/page scan failures

7.5 SYNCHRONIZING BLUETOOTH WITH AN EXTERNAL TIMING SOURCE

This section provides an example to illustrate the synchronization of the Bluetooth CLK with an MWS system so that the Bluetooth slots line up with the Downlink and Uplink times of the MWS system. The external frame in this example is LTE TDD Frame Configuration #1 and special subframe configuration #1; however the same mechanisms can be used for any external TDD/TDMA protocol. The example shows a time span of 10 ms.

[Vol 7] Part A defines the timing of the MWS frame as a fixed offset from the FRAME_SYNC signal in the coexistence signaling. This is shown in Figure 7.6 as FS. FS can be defined by the Host as any specific offset within the MWS



frame. For a piconet Central, the most useful position for FS is the boundary between the uplink and the following downlink. This is because the Central needs to transmit in a Central slot during the uplink and then receive in the following Peripheral slot during the downlink. Putting FS at this boundary allows the Central to easily align its Bluetooth clock to put it between these slots. The situation is reversed in a Peripheral: FS is most useful on the boundary between the downlink and the following uplink.

The HCI command `HCI_Set_External_Frame_Configuration` ([Vol 4] Part E, Section 7.3.81) is used to describe the MWS frame timing. This knowledge, together with FS, allows the Bluetooth Controller to align the Bluetooth clock with the MWS frame timing so as to minimize the effect of mutual interference. This is illustrated in Figure 7.6. The red ovals show slot pairs where both MWS and Bluetooth transmit and receive simultaneously and so do not interfere with each other. The MWS frame structure includes a downlink portion (“D”), an uplink portion (“U”), and a special portion (“S”) that includes a downlink and uplink portion separated by a guard period (“GP”).

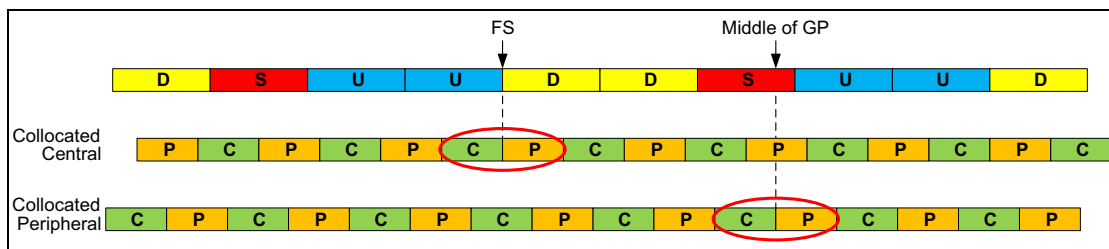


Figure 7.6: Alignment of MWS frame timing and Bluetooth clock

Note: In LTE, if the implementation does not have access to the exact LTE timing it can assume that the downlink-to-uplink boundary is the middle of the GP in a special LTE subframe.

7.6 PICONET CLOCK ADJUSTMENT

As discussed in the previous section, aligning the MWS and Bluetooth clocks correctly greatly improves throughput on both technologies. The Central has two mechanisms at its disposal to mitigate misalignments.

Coarse Clock Adjustments can be used to move the Bluetooth CLK using the `LMP_CLK_ADJ` PDU. The `clk_adj_us` parameter is used to align the slots with the MWS alignment point indicated by the `FRAME_SYNC` signal. The `clk_adj_slots` parameter can be used to move the CLK several slots forward in time. This can be useful to align e.g. eSCO. Coarse Clock Adjustment is expected to be used only rarely, for instance at MWS connection or when the MWS frame timing changes due to roaming. Coarse Clock Adjustment can only be used when all Peripherals in the piconet support it.

The other option for the Central is to use Clock Dragging. This is a method of slowly adjusting the phase of the clock backward or forward by making the



slots a few μs shorter or longer, respectively, until the desired CLK phase has been achieved. It should be noted that this is a very slow rate of adjustment, as it is designed to allow a legacy device to track the change, and therefore the requirements of [Vol 2] Part B, Section 1.1 mean that Clock Dragging must not be done at a faster rate than the maximum natural drift between devices. For this reason its main use is to facilitate small corrections over time if a misalignment with the MWS system is detected. If any device is connected that does not support Coarse Clock Adjustment, slowly moving the Peripheral using Clock Dragging is the only option.

It is recommended to let the collocated device be the Central, when possible, as it can react much faster to correct misalignments. If a Peripheral is the collocated device, doing a role switch to make it Central may be worth considering. Alternatively a Peripheral can send a Piconet Clock Adjustment Request LMP packet to the Central. The Central then has the option to perform a Coarse Clock Adjustment, Clock Dragging, or to reject the request.

7.7 SLOT AVAILABILITY MASK (SAM)

Slot Availability Mask (SAM) allows two Bluetooth devices to indicate to each other time slots that are available for transmission and reception. The SAM slot map specifies the availability or otherwise of Bluetooth slots. A slot could be unavailable because of external conditions (e.g., MWS coexistence) or internal conditions (e.g., scatternet commitments). SAM does not impose new mandatory rules for the scheduling of BR/EDR time slots. Instead, it merely provides information which allows Controllers to refine their scheduling of Bluetooth slots to improve performance.

SAM slot maps are calculated by the Controller itself based on its scheduling requirements. There are no HCI commands defined specifically for SAM, merely LMP sequences that enable devices to exchange maps and indicate the map in use. The HCI commands HCI_Set_External_Frame_Configuration (see [Vol 4] Part E, Section 7.3.81) and HCI_Set_MWS_PATTERN_Configuration (see [Vol 4] Part E, Section 7.3.85) and real-time signals (e.g., MWS_PATTERN_Index or FRAME_SYNC) provided by the Coexistence Logical Interface (see [Vol 7] Part A) contain information concerning the appropriate SAM_Index and SAM anchor point to use for MWS coexistence; these may therefore trigger these LMP sequences.

A Controller may choose to perform a Piconet Clock Adjustment before initiating an LMP_SAM_SWITCH sequence so as to increase the number of slot pairs available per MWS frame.



8 DIRECTION FINDING USING BLUETOOTH LOW ENERGY

An LE device can make its direction available for a peer device by transmitting direction finding enabled packets. Using direction information from several transmitters and profile-level information giving their locations, an LE radio can calculate its own position.

This feature is supported over the LE Uncoded PHYs, but not over the LE Coded PHY.

8.1 ANGLE OF ARRIVAL (AOA) METHOD

An LE device can make its direction available to a peer device by transmitting direction finding enabled packets using a single antenna.

The peer device, consisting of an RF switch and antenna array, switches antennae while receiving part of those packets and captures IQ samples. The IQ samples can be used to calculate the phase difference in the radio signal received using different elements of the antenna array, which in turn can be used to estimate the angle of arrival (AoA).

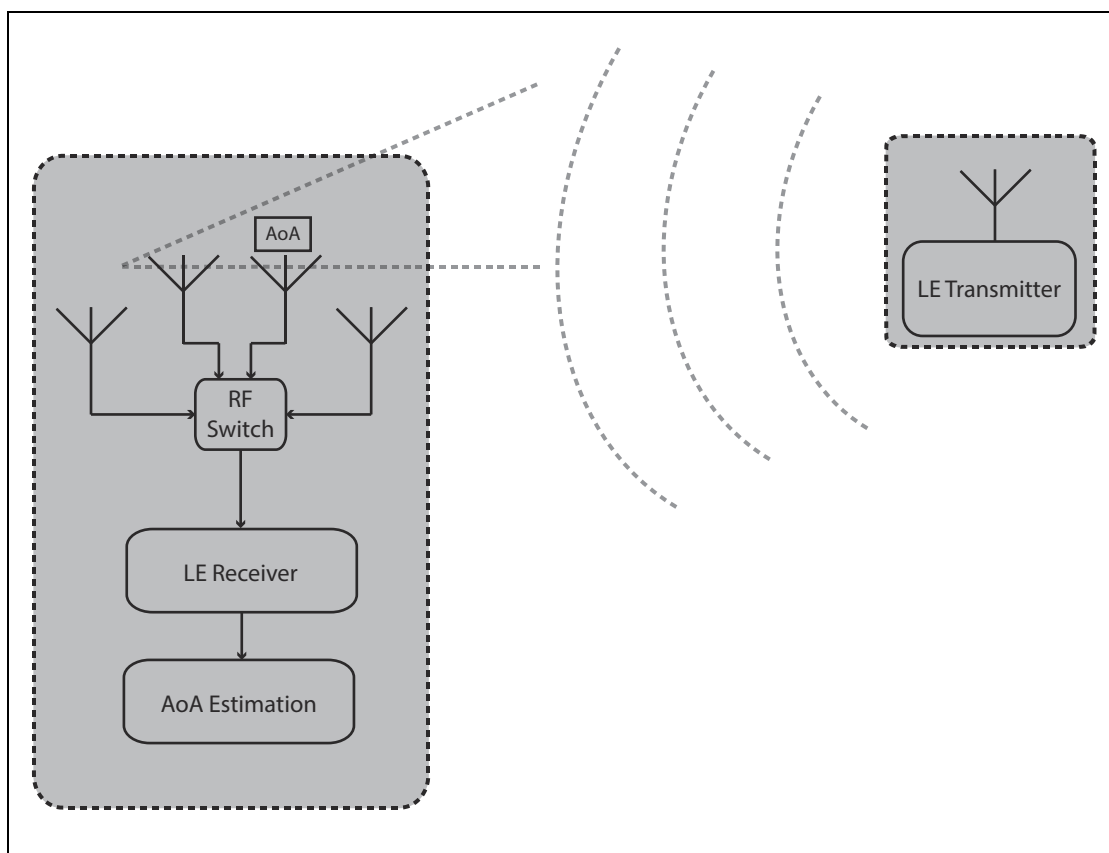


Figure 8.1: Angle of Arrival method



Consider a receiver device with an antenna array consisting of two antennae, separated by distance d . The transmitter device uses a single antenna to transmit a signal. As shown in Figure 8.2, a perpendicular line can be drawn from an incoming signal wave front extending to the furthest antenna (antenna 2) at the point of intersection to the closest antenna (antenna 1). The adjacent side of that right triangle represents the path difference relative to the angle of incidence of that wave front between both antennae. The phase difference, ψ , in the signal arriving at the two antennae is then

$$\psi = (2\pi d \cos(\theta)) / \lambda$$

where λ is the wavelength of the signal and θ is the angle of arrival (measured from a line connecting the two antennae in the receiver), and so

$$\theta = \arccos((\psi\lambda) / (2\pi d))$$

Note: The distance d is profile-level information that is used by the receiving device to calculate the angle of arrival.

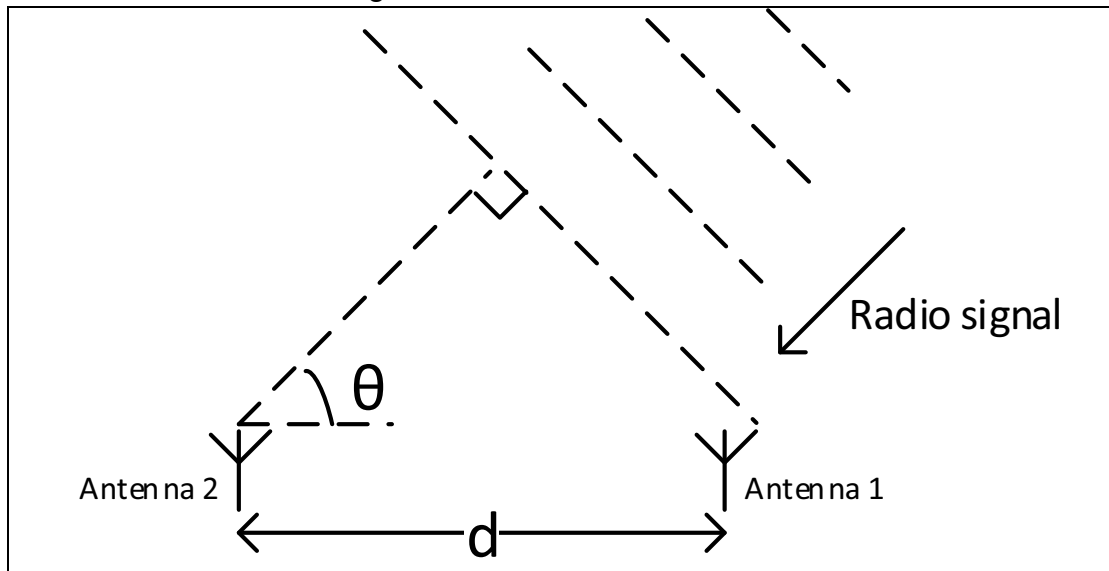


Figure 8.2: Measuring the angle of arrival

8.2 ANGLE OF DEPARTURE (AOD) METHOD

A device consisting of an RF switch and antenna array can make its angle of departure (AoD) detectable by transmitting direction finding enabled packets, switching antennae during transmission.

The peer device receives those packets using a single antenna and captures IQ samples during part of those packets. Determination of the direction is based on the different propagation delays of the LE radio signal between the transmitting elements of the antenna array and a receiving single antenna. The propagation delays are detectable with IQ measurements. Any receiving LE radio with a single antenna that supports the AoD feature can capture IQ samples and, with the aid of profile-level information specifying the antenna



layout of the transmitter, calculate the angle of incidence of the incoming radio signal.

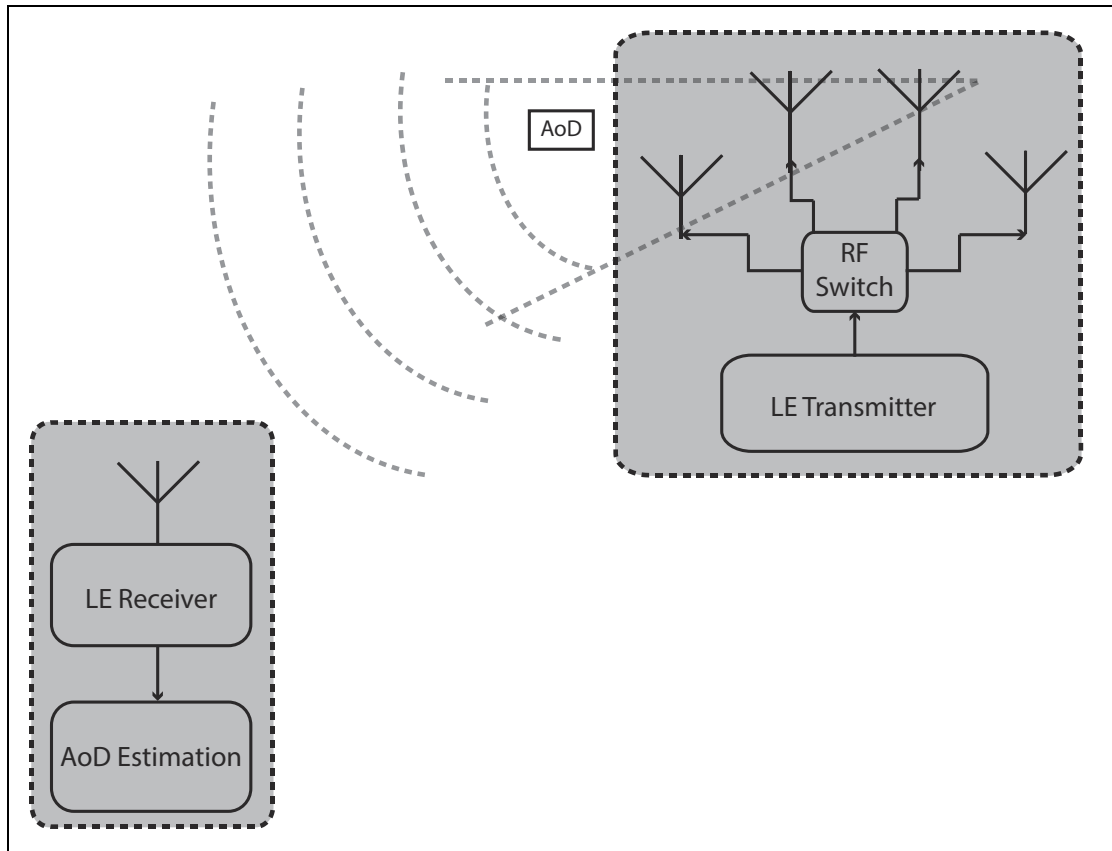


Figure 8.3: Angle of departure method

Consider a transmitter device with an antenna array consisting of two antennae, separated by distance d . The receiver device uses a single antenna to receive the signals. The phase difference, ψ , in the signal from antenna 1 and the signal from antenna 2 arriving at the receiver is then

$$\psi = (2\pi d \cos(\theta)) / \lambda$$

where λ is the wavelength of the signal and θ is the angle of departure (measured from a line connecting the two antennae in the transmitter), and so

$$\theta = \arccos((\psi\lambda)/(2\pi d))$$

Note: The distance d is profile-level information that a transmitting device exchanges with the receiving device in order for the receiving device to calculate the angle of departure.

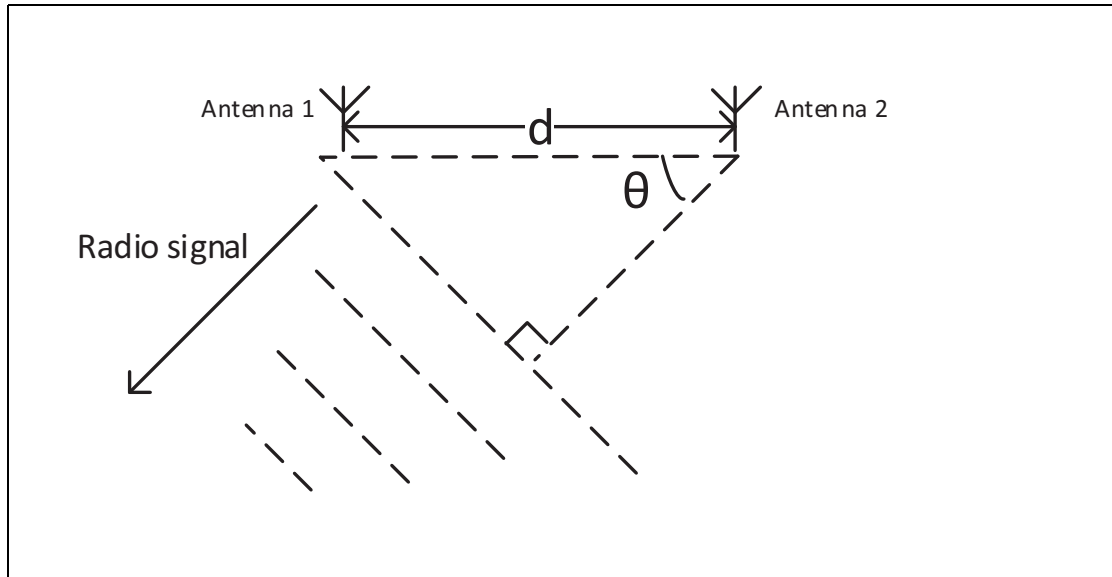


Figure 8.4: Measuring the angle of departure

Architecture, Mixing, and Conventions
Part B

**ACRONYMS &
ABBREVIATIONS**



CONTENTS

1	List of acronyms and abbreviations	299
----------	---	------------



1 LIST OF ACRONYMS AND ABBREVIATIONS

Acronym or abbreviation	Writing out in full	Comments
8DPSK	8 phase Differential Phase Shift Keying	3 Mb/s modulation type used by Enhanced Data rate
AAD	Additional Authenticated Data	
AC	Access Category	
ACI	Access Category Index	
ACK	Acknowledge/Acknowledgment	
ACL	Asynchronous Connection-oriented [logical transport]	Reliable or time-bounded, bi-directional, point-to-point
ACL-C	ACL Control [logical link] (LMP)	
ACL-U	ACL User [logical link] (L2CAP)	
ACO	Authenticated Ciphering Offset	
AD	Advertising Data	
Adv_idx	Advertising channel index	
ADVB	LE Advertising Broadcast	
ADVB-C	LE Advertising Broadcast Control (Logical Link)	
ADVB-U	LE Advertising Broadcast User Data (Logical Link)	
ADI	AdvDataInfo	
AES	Advanced Encryption Standard	
AES-CCM	Advanced Encryption Standard - Counter with CBC MAC	
AFH	Adaptive Frequency Hopping	
AGC	Automatic Gain Control	
AHS	Adapted Hop Sequence	
AIFSN	Arbitration Interframe Space Number	
AoA	Angle of Arrival	
AoD	Angle of Departure	
APB	Active Peripheral Broadcast [logical transport]	Unreliable, uni-directional broadcast to any devices synchronized with the physical channel

Table 1.1: Acronyms and abbreviations (Sheet 1 of 11)



Acronym or abbreviation	Writing out in full	Comments
APB-C	APB Control [logical link] (LMP)	
APB-U	APB User [logical link] (L2CAP)	
ARQ	Automatic Repeat Request	
ATT	Attribute Protocol	
BB	Baseband	
BCH	Bose, Chaudhuri & Hocquenghem	Type of code The persons who discovered these codes in 1959 (H) and 1960 (B&C)
BD_ADDR	Bluetooth Device Address	
BER	Bit Error Rate	
BIG	Broadcast Isochronous Group	A group of one or more time-related Broadcast Isochronous Streams
BIS	Broadcast Isochronous Stream	Connectionless isochronous logical transport
BT	Bandwidth Time	
C	Central	
C.#	Conditional	Any number may be used. See [Vol 1] Part E, Section 2.11
CAC	Channel Access Code	
CBC-MAC	Cipher Block Chaining Message Authentication Code	
CCM	Counter with Cipher Block Chaining-Message Authentication Code	
CCMP	CTR with CBC-MAC Protocol	
CIG	Connected Isochronous Group	A group of one or more time-related Connected Isochronous Streams
CIS	Connected Isochronous Stream	Point-to-point isochronous logical transport
CLKN	Native Clock	
CL	Connectionless	
CLK	Central's Clock	
CLKE	Estimated Clock	
CODEC	COder DECoder	

Table 1.1: Acronyms and abbreviations (Sheet 2 of 11)



Acronym or abbreviation	Writing out in full	Comments
COF	Ciphering Offset	
CP	CTEInfo Present	A field in the Data Channel PDU Header to indicate the presence of the CTEInfo field
CPB	Connectionless Peripheral Broadcast	The logical transport enabled by the Connectionless Peripheral Broadcast feature
CRC	Cyclic Redundancy Check	
CSA	Core Specification Addendum	(In plural Addenda)
CSRK	Connection Signature Resolving Key	
CTE	Constant Tone Extension	
CTEInfo	Constant Tone Extension Information	A field in the Data Channel PDU Header and the extended advertising header
CTS	Clear to send	
CVSD	Continuous Variable Slope Delta Modulation	
DA	Destination address	
DAC	Device Access Code	
DCE	Data Communication Equipment	
DCE	Data Circuit-Terminating Equipment	In serial communications, DCE refers to a device between the communication endpoints whose sole task is to facilitate the communications process; typically a modem
DCI	Default Check Initialization	
DEVM	Differential Error Vector Magnitude	Measure of modulation error used for Enhanced Data Rate transmitter testing
DFS	Dynamic Frequency Selection	
DH	Data-High Rate	Data packet type for high rate data
DHK	Diversifier Hiding Key	
DIAC	Dedicated Inquiry Access Code	
DID	(Advertising) Data ID	
DIV	Diversifier	

Table 1.1: Acronyms and abbreviations (Sheet 3 of 11)



Acronym or abbreviation	Writing out in full	Comments
DM	Data - Medium Rate	Data packet type for medium rate data
DPSK	Differential Phase Shift Keying	Generic description of Enhanced Data Rate modulation
DQPSK	Differential Quaternary Phase Shift Keying	Modulation type used by Enhanced Data Rate
DSAP	Destination Service Access Point	
DTE	Data Terminal Equipment	In serial communications, DTE refers to a device at the endpoint of the communications path; typically a computer or terminal.
DTM	Direct Test Mode	
DUT	Device Under Test	
DV	Data Voice	Data packet type for data and voice
E	Excluded	See [Vol 1] Part E, Section 2.11
ECWmax	Enhanced Contention Window maximum	
ECWmin	Enhanced Contention Window minimum	
ED	Erroneous Data	
EDCA	Enhanced Distributed Channel Access	
EDIV	Encrypted Diversifier	
EDR	Enhanced Data Rate	
EFS	Extended Flow Specification	
EIR	Extended Inquiry Response	Host supplied information transmitted in the Inquiry Response sub-state
EIRP	Effective Isotropic Radiated Power	Equivalent power that an isotropic antenna must transmit to provide the same field power density
EOC	Extreme Operating Conditions	
EPR	Encryption Pause and Resume	Mode allowing the device to initiate the pause and resume encryption sequence
ER	Encryption Root	

Table 1.1: Acronyms and abbreviations (Sheet 4 of 11)



Acronym or abbreviation	Writing out in full	Comments
ERP	Extended Rate PHY conforming to Clause 19	
(e)SCO	Synchronous logical link or Extended Synchronous logical link	SCO or eSCO
eSCO	Extended Synchronous Connection-Oriented [logical transport]	Bi-directional, symmetric or asymmetric, point-to-point, general regular data, limited retransmission
eSCO-S	Stream eSCO (unframed)	Used to support isochronous data delivered in a stream without framing
ESS	Extended Service Set	
ETSI	European Telecommunications Standards Institute	
FCC	Federal Communications Commission	
FCS	Frame Check Sequence	
FDMA	Frequency Division Multiple Access	
FEC	Forward Error Correction code	
FH	Frequency Hopping	
FHS	Frequency Hop Synchronization	
FHSS	Frequency Hopping Spread Spectrum	
FIFO	First In First Out	
FIPS	Federal Information Processing Standards	
FM	Frequency Modulation	Modulation type
GAP	Generic Access profile	
GATT	Generic Attribute profile	
GFSK	Gaussian Frequency Shift Keying	
GIAC	General Inquiry Access Code	Used for GAP General Discoverable mode and General Inquiry procedure. See Assigned Numbers .
HCI	Host Controller interface	
HEC	Header-Error-Check	
HID	Human Interface Device	

Table 1.1: Acronyms and abbreviations (Sheet 5 of 11)



Acronym or abbreviation	Writing out in full	Comments
HV	High quality Voice	e.g. HV1 packet
HW	Hardware	
IAC	Inquiry Access Code	
IC	Industry Canada	
IEC	International Electrotechnical Commission	
IEEE	Institute of Electrical and Electronics Engineers	
IETF	Internet Engineering Task Force	
IFS	Inter Frame Space	
IP	Internet Protocol	
IPv4	Internet Protocol version 4	
IPv6	Internet Protocol version 6	
IQ	In-phase and Quadrature	
IR	Identity Root	
IrDA	Infra-red Data Association	
IRK	Identity Resolving Key	
ISM	Industrial, Scientific, Medical	
ISO	International Organization for Standardization	
ISO	Isochronous	
ISOAL	Isochronous Adaptation Layer	The layer that converts data units from the upper layer to data units in the Link Layer and vice versa
ITU	International Telecommunication Union	
IUT	Implementation Under Test	
IV	Initialization Vector	
IV_C	Initialization Vector (Central)	
IV_P	Initialization Vector (Peripheral)	
JRL	Japanese Radio Law	
KCC	Korea Communications Commission	

Table 1.1: Acronyms and abbreviations (Sheet 6 of 11)



Acronym or abbreviation	Writing out in full	Comments
L2CAP	Logical Link Control and Adaptation protocol	
LAP	Lower Address Part	
LC	Link Controller	Link Controller (or Baseband) part of the Bluetooth protocol stack. Low level Baseband protocol handler
LC	Link Control [logical link]	The control logical links LC and ACL-C are used at the link control level and link manager level, respectively.
LCP	Link Control protocol	
LE	Low Energy	
LEB-C	Low Energy Broadcast Control	A logical link for control of Broadcast Isochronous Streams in a Broadcast Isochronous Group
LE-C	Low Energy Control (link)	
LE-F	Low Energy Framed	A logical link for transferring framed isochronous data packets using a Connected or Broadcast Isochronous Stream logical transport
LE-S	Low Energy Stream	A logical link for transferring unframed isochronous data packets using a Connected or Broadcast Isochronous Stream logical transport
LE-U	LE User [logical link]	
LFSR	Linear Feedback Shift Register	
LIAC	Limited Inquiry Access Code	Used for GAP Limited Discoverable mode and Limited Inquiry procedure. See Assigned Numbers .
LL	Link Layer	
LLCP	Link Layer Control protocol	
LLID	Logical Link Identifier	
LM	Link Manager	
LMP	Link Manager protocol	For LM peer to peer communication
LR	Loudness Rating	
LSB	Least Significant Bit	

Table 1.1: Acronyms and abbreviations (Sheet 7 of 11)



Acronym or abbreviation	Writing out in full	Comments
LSO	Least Significant Octet	
LSTO	Link Supervision Timeout event	Controller can send LSTO event to Host
LT_ADDR	Logical Transport ADDRESS	
LTK	Long-Term Key	
M	Mandatory	See [Vol 1] Part E, Section 2.11
MAC	Medium Access Control	
MAC	Message Authentication Code	Usually meaning the Medium Access Control code
Mb/s	Megabits (millions of bits) per second	
MD	More Data	
MIC	Message Integrity Check	
MIIT	Ministry of Industry and Information Technology	
MITM	Man-in-the-middle	
MMI	Man Machine Interface	
MS	Mobile Station	
Msym/s	Megasymbols per second	
MSB	Most Significant Bit	
mSBC	modified Sub Band Codec	Hands-Free Profile v1.6 or later
MSC	Message sequence chart	
MSO	Most Significant Octet	
MTU	Maximum Transmission Unit	
MWS	Mobile Wireless Standards	For example LTE and WiMAX
NAK	Negative Acknowledge	
NAP	Non-significant Address Part	
NCC	National Communications Commission	
NESN	Next Expected Sequence Number	
NIST	National Institute of Standards and Technology	
NOC	Normal Operating Conditions	

Table 1.1: Acronyms and abbreviations (Sheet 8 of 11)



Acronym or abbreviation	Writing out in full	Comments
O	Optional	See [Vol 1] Part E, Section 2.11
OBEX	OBject EXchange protocol	
OCF	Opcode Command Field	
OGF	Opcode Group Field	
OOB	Out of Band	
$\pi/4$ -DQPSK	$\pi/4$ Rotated Differential Quaternary Phase Shift Keying	2 Mb/s modulation type used by Enhanced Data Rate
P	Peripheral	
PADVB	LE Periodic Advertising Broadcast (Logical Transport)	
PAwR	Periodic Advertising with Responses	
PBD	Profile Broadcast Data	The name of the logical link enabled by the Connectionless Peripheral Broadcast feature
PBF	Packet Boundary Flag	The device supports the capability to correctly handle HCI ACL Data packets
PCM	Pulse Coded Modulation	
PDU	Protocol Data Unit	A message
PHY	Physical Layer	
PIN	Personal Identification Number	
PN	Pseudo-random Noise	
ppm	Part Per Million	
PPP	Point-to-Point Protocol	
PRBS	Pseudo Random Bit Sequence	
PRNG	Pseudo Random Noise Generation	
PSK	Phase Shift Keying	Class of modulation types
PSTN	Public Switched Telephone Network	
ptt	Packet Type Table	The ptt parameter is used to select the logical transport types via LMP.
QoS	Quality of Service	
RAND	Random number	
RF	Radio Frequency	

Table 1.1: Acronyms and abbreviations (Sheet 9 of 11)



Acronym or abbreviation	Writing out in full	Comments
RFC	Request For Comments	
RFCMode	Retransmission and Flow Control Mode	
RFCOMM		Serial cable emulation protocol based on ETSI TS 07.10
RFU	Reserved for future use	
RMS	Root Mean Square	
RPA	Resolvable Private Address	
RSSI	Received Signal Strength Indication	
RX	Receive	
SAP	Service Access Points	
SAR	Segmentation and Reassembly	
SCA	Sleep Clock Accuracy	
SCO	Synchronous Connection-Oriented [logical transport]	Bi-directional, symmetric, point-to-point, AV channels
SCO-S	Stream SCO (unframed)	Used to support isochronous data delivered in a stream without framing
SD	Service Discovery	
SDP	Service Discovery protocol	
SDU	Service Data Unit	
SEQN	Sequential Numbering scheme	
SID	(Advertising) Set ID	
SK	Session Key	
SKD_C	Session Key Diversifier (Central)	Central portion of the Session Key Diversifier
SKD_P	Session Key Diversifier (Peripheral)	Peripheral portion of the Session Key Diversifier
SLR	Send Loudness Ring	
SM	Security Manager	
SMP	Security Manager Protocol	
SN	Sequence Number	
SRES	Signed Response	

Table 1.1: Acronyms and abbreviations (Sheet 10 of 11)



Acronym or abbreviation	Writing out in full	Comments
SRK	Signature Resolving Key	
SS	Supplementary Services	
SSI	Signal Strength Indication	
SSP	Secure Simple Pairing	Simplifies the pairing process and improves Bluetooth security
SSR	Sniff Subrating	A mode that defines the anchor points at which the Central transmits to the Peripheral.
STK	Short Term Key	
STP	Synchronization Train Packet	Packets transmitted using the Synchronization Train feature
SW	Software	
T_IFS	Time Inter Frame Space	Time interval between consecutive packets on same channel index
TC	Test Control	Test Control layer for the test interface
TCP/IP	Transport Control Protocol/Internet Protocol	
TCS	Telephony Control protocol Specification	
TDD	Time-Division Duplex	
TDMA	Time Division Multiple Access	
TK	Temporary Key	
TX	Transmit	
UAP	Upper Address Part	
UART	Universal Asynchronous receiver Transmitter	
UI	User Interface	
UI	Unnumbered Information	
ULAP	Upper and Lower Address Parts	
USB	Universal Serial Bus	
UTF-8	8-bit UCS/Unicode Transformation Format	
UUID	Universal Unique Identifier	
WAP	Wireless Application Protocol	

Table 1.1: Acronyms and abbreviations (Sheet 11 of 11)

Architecture, Mixing, and Conventions
Part C

**CORE SPECIFICATION
CHANGE HISTORY**



CONTENTS

1	Removed features	313
2	Changes from v1.1 to v1.2	314
2.1	New features	314
2.2	Structure changes	314
2.3	Deprecated features list.....	314
2.4	Changes in wording.....	315
2.5	Nomenclature changes.....	315
3	Changes from v1.2 to v2.0 + EDR	316
3.1	New features	316
3.2	Deprecated features	316
4	Changes from v2.0 + EDR to v2.1 + EDR	317
4.1	New features	317
4.2	Removed features	317
5	Changes from v2.1 + EDR to v3.0 + HS	318
5.1	New features	318
5.2	Removed features	318
6	Changes from v3.0 + HS to v4.0	319
6.1	New features	319
6.2	Removed features	319
7	Changes from v4.0 to v4.1	320
7.1	New features	320
7.1.1	Features added in CSA 4 – integrated in v4.1	320
7.1.2	Features added in CSA 3 – integrated in v4.1	320
7.1.3	Features added in CSA 2 – integrated in v4.1	321
7.2	Removed features	321
8	Changes from v4.1 to v4.2	322
8.1	New features	322
8.2	Errata incorporated in v4.2	322
9	Changes from v4.2 to v5.0	324
9.1	New features	324
9.1.1	Features added in CSA5 - integrated in v5.0.....	324
9.2	Removed features	324
9.3	Privacy errata	324
9.4	Errata incorporated in v5.0	325
10	Changes from v5.0 to v5.1	329
10.1	New features	329
10.1.1	Features added in CSA6 – integrated in v5.1	329

Core Specification Change History



- 10.2 Removed features 329
- 10.3 Security erratum 329
- 10.4 Errata incorporated in v5.1 330
- 11 Changes from v5.1 to v5.2 332**
 - 11.1 New features 332
 - 11.2 Security erratum 332
 - 11.3 Errata incorporated in v5.2 332
- 12 Changes from v5.2 to v5.3 334**
 - 12.1 New features 334
 - 12.2 Removed Features 334
 - 12.3 Errata incorporated in v5.3 334
 - 12.4 Global terminology changes 339
- 13 Changes from v5.3 to v5.4 340**
 - 13.1 New features 340
 - 13.2 Removed features 340
 - 13.3 Errata incorporated in v5.4 340



1 REMOVED FEATURES

Some features have been deemed no longer useful and have been removed. The term removed does not mean that they are no longer allowed, but that they are no longer recommended as the best way of performing a given function.

Removed features may be implemented using the latest qualifiable version (if any) of the specification that specifies the removed features.



2 CHANGES FROM v1.1 TO v1.2

2.1 NEW FEATURES

Several new features were introduced in the version 1.2. The major areas of improvement are:

- Architectural overview
- Faster connection
- Adaptive frequency hopping
- Extended SCO links
- Enhanced error detection and flow control
- Enhanced synchronization capability
- Enhanced flow specification

The feature descriptions are incorporated into the existing text in different core parts, described in Volumes 2 and 3.

2.2 STRUCTURE CHANGES

Version 1.2 was significantly restructured for better consistency and readability. The most important structure changes have been performed in Baseband, LMP, HCI and L2CAP. The text in these sections has been rearranged to provide:

- Presentation of the information in a more logical progression
- Removal of redundant text and requirements
- Consolidation of Baseband-related requirements (for example, the Baseband Timers and Bluetooth Audio sections into the Baseband Specification)
- Alignment of the specification with the new architecture and terminology presented in the Architecture Overview (see [\[Vol 1\] Part E](#)).

In addition, new text and requirements were added for the new features as well as many changes throughout the specification to update the text to use IEEE language (see [\[Vol 1\] Part E](#)).

2.3 DEPRECATED FEATURES LIST

Features deprecated in version 1.2 are:

- The use of Unit Keys for security
- Optional Paging schemes
- 23 channel hopping sequence
- Page scan period mode and associated commands



2.4 CHANGES IN WORDING

Two general classes of changes to the wording of the Bluetooth Specification have been done for version 1.2. They are a formalization of the language by using conventions established by the Institute of Electrical and Electronic Engineers (IEEE), and a regularization of Bluetooth wireless technology-specific terms. Many portions of the version 1.1 specification use imprecise or inaccurate terms to describe attributes of the protocol. A more accurate terminology described in Part E was introduced into the version 1.2 specification and have been applied in future versions.

2.5 NOMENCLATURE CHANGES

The nomenclature in Bluetooth 1.2 was also updated due to new concepts that are introduced together with the new features and the new architecture. See [\[Vol 1\] Part A](#).



3 CHANGES FROM v1.2 TO v2.0 + EDR

3.1 NEW FEATURES

Version 2.0 + EDR introduces Enhanced Data Rate (EDR). EDR provides a set of additional packet types that use the new 2 Mb/s and 3 Mb/s modes.

In addition to EDR a set of errata provided in ESR02 has been incorporated into this version and revised to include changes caused by the addition of EDR.

These additions are incorporated into the existing text in different core parts described in Volumes 2 and 3.

3.2 DEPRECATED FEATURES

The only feature deprecated in version 2.0 + EDR is the Page Scan Period Mode and associated commands (based on Erratum 694 which is also included in ESR02).



4 CHANGES FROM v2.0 + EDR TO v2.1 + EDR

4.1 NEW FEATURES

Several new features are introduced in version 2.1 + EDR. The major areas of improvement are:

- Erroneous Data Reporting
- Encryption Pause and Resume
- Extended Inquiry Response
- Link Supervision Timeout Changed event
- Non-Automatically-Flushable Packet Boundary Flag
- Secure Simple Pairing
- Sniff Subrating
- Security Mode 4

4.2 REMOVED FEATURES

No features were removed in v2.1 + EDR.



5 CHANGES FROM v2.1 + EDR TO v3.0 + HS

5.1 NEW FEATURES

Several new features are introduced in version 3.0 + HS. The major areas of improvement are:

- AMP Manager protocol (A2MP)
- Enhancements to L2CAP including
 - Enhanced Retransmission Mode and Streaming Mode
 - Improvements to the L2CAP state machine for AMP channels
 - Fixed channel support
- Enhancements to HCI for AMP
- Enhancements to Security for AMP
- 802.11 Protocol Adaptation Layer
- Enhanced Power Control
- Unicast Connectionless Data
- HCI Read Encryption Key Size command
- Generic Test Methodology for AMP
- Enhanced USB and SDIO HCI Transports

5.2 REMOVED FEATURES

No features were removed in v3.0 + HS.



6 CHANGES FROM v3.0 + HS TO v4.0

6.1 NEW FEATURES

Several new features are introduced in version 4.0. The major areas of improvement are:

- Bluetooth Low Energy including
 - Low Energy Physical Layer
 - Low Energy Link Layer
 - Enhancements to HCI for Low Energy
 - Low Energy Direct Test Mode
 - AES Encryption
 - Enhancements to L2CAP for Low Energy
 - Enhancements to GAP for Low Energy
 - Attribute Protocol (ATT)
 - Generic Attribute profile (GATT)
 - Security Manager (SM)

6.2 REMOVED FEATURES

No features were removed in v4.0.



7 CHANGES FROM v4.0 TO v4.1

7.1 NEW FEATURES

Several new features are introduced in the version 4.1. The major areas of improvement are:

- BR/EDR secure connections
- Train nudging
- Generalized interlaced scan
- Low duty cycle directed advertising
- 32-bit UUID support in LE
- LE dual mode topology
- Piconet clock adjustment
- LE L2CAP connection-oriented channel support
- LE privacy v1.1
- LE Link Layer topology
- LE ping

7.1.1 Features added in CSA 4 – integrated in v4.1

- Connectionless Peripheral Broadcast
- Unencrypted unicast connectionless data support
- Fast advertising interval
- eSCO reserved slots clarification

7.1.2 Features added in CSA 3 – integrated in v4.1

- MWS coexistence HCI changes
- GAP connection parameters changes
- GAP authentication and lost bond
- Dual mode addressing
- Private address changes
- Common profile and service error code changes
- MWS coexistence signaling
- Wireless coexistence interface 1 (WCI-1) transport specification
- Wireless coexistence interface 2 (WCI-2) transport specification



7.1.3 Features added in CSA 2 – integrated in v4.1

- Limited discovery time changes
- EIR and AD data types in GAP
- Audio architecture HCI changes
- Audio architecture USB changes
- 802.11n enhancements to the 802.11 PAL

7.2 REMOVED FEATURES

No features were removed in v4.1.



8 CHANGES FROM v4.1 TO v4.2

8.1 NEW FEATURES

Several new features are introduced in version 4.2. The major areas of improvement are:

- LE Data Packet Length Extension
- LE Secure Connections
- Link Layer privacy
- Link Layer Extended Scanner Filter policies

8.2 ERRATA INCORPORATED IN v4.2

Table 8.1 lists the integrated ESR08 errata items and also some ESR09 items, without test impact, which were added to v4.2 prior to the ESR09 release.

	ESR08	ESR09
Global / Several Parts		5782, 6001
V0B: Compliance Req.	5748	
V1A: Architecture Overview	4767, 4768, 4858, 5526, 5531, 5742, 5748	5965, 6086
V2A: Radio	5179	
V2B: Baseband	2645, 2668, 3909, 4997, 5185, 5447, 5636	5829, 5875, 5966
V2C: LMP	4934, 5118, 5756	5754, 5802, 5815, 5816, 5817, 5818, 5819
V2D: Error Codes	5645, 5660	5814
V2E: HCI	4998, 5097, 5186, 5286, 5340, 5358, 5397, 5416, 5589, 5630, 5637, 5660, 5736, 5737, 5738	5000, 5174, 5247, 5821, 5822, 5826, 5828, 5859, 5907, 5926, 5927, 5935, 5959, 5960
V2F: MSCs	5621	5762
V2G: Sample Data		
V2H: Security Spec.	4815, 4830, 4903	
V3A: L2CAP	2765, 3253, 3767, 3768, 3901, 3902, 3903, 4603, 4734, 4735, 4776, 5419	5987
V3B: SDP	5258	5257

Table 8.1: Errata integrated in v4.2



	ESR08	ESR09
V3C: GAP	2341, 4087, 4778, 4895, 4935, 4936, 5618, 5441, 5051	5803, 5938, 5939, 5964, 5989
V3F: ATT		6006
V3G: GATT	3817, 4358, 5116, 5117	
V3H: Security Manager		6050
V4B: USB Transport Layer	5273	
V6A: Physical Layer	5179	
V6B: Link Layer	5231, 5232, 5233, 5234, 5235, 5236, 5307, 5360, 5419, 5428, 5526, 5577, 5653, 5656, 5706, 5707, 5720, 5721, 5722, 5723	5824, 5922, 5947, 5950, 5954, 5994, 6116
V6C: Sample Data	4948	
V6D: MSCs	4797, 4798	6032
V6F: Direct Test Mode	4834, 5749, 5751	
V7A: MWS Coexistence Logical Signaling	5001	
V7B: WCI-1 Transport	5004, 5619	

Table 8.1: Errata integrated in v4.2



9 CHANGES FROM v4.2 TO v5.0

9.1 NEW FEATURES

Several new features are introduced in version 5.0. The major areas of improvement are:

- Slot Availability Mask (SAM)
- 2 Msym/s PHY for LE
- LE Long Range
- High Duty Cycle Non-Connectable Advertising
- LE Advertising Extensions
- LE Channel Selection Algorithm #2

9.1.1 Features added in CSA5 - integrated in v5.0

- Higher Output Power

9.2 REMOVED FEATURES

The following features were removed in this version of the specification:

- Park State

9.3 PRIVACY ERRATA

The Privacy errata shown in [Table 9.1](#) have been resolved and integrated in this version of the specification.

Erratum	Title
5433	In Table 9.3, C1 condition should be removed
6182	Invalid behavior with resolving address list not clear in Core or Test Spec
6214	Statement mismatch between procedure description and figure
6247	Unclear when to use LE Directed Advertising Report event or LE Advertising Report event
6356	Defining scanner's device address in "Scanner filter policy"
6391	Usage of peer address type not clear in privacy 1.2
6399	LE Enhanced Connection Complete event
6401	Central Address Resolution Char in LE Peripheral
6469	Advertiser is not required to check AdvA

Table 9.1: Privacy errata



Erratum	Title
6471	AdvA not well defined in SCAN_RSP pdu, when privacy 1.2 enabled
6508	HCI command name mismatch
6519	When an advertiser device (or scanning performing active scanning) using privacy and Controller based resolvable private address generation is supposed to answer to a scan request (or advertising) received?
6613	Privacy Mode not clearly defined
6629	LE Directed Advertising Report event - Order of parameters
6984	How does Adv respond to RPA in Connect Req when there's no IRK and no WL

Table 9.1: Privacy errata

9.4 ERRATA INCORPORATED IN v5.0

Table 9.2 lists the integrated ESR09 and ESR10 errata items.

	ESR09	ESR10
Global / Several Parts	5782, 6001, 6334	6570, 6751, 6855, 7076
V0B: Bluetooth Compliance Requirements		6360, 6717
V1A: Architecture Overview	5900, 5965, 6086, 6120, 6193, 6240, 6242, 6277, 6284, 6288, 6290, 6303, 6361, 6363, 6364	6356, 6421, 6465, 6524, 6529, 6558, 6603, 6604, 6766, 6922, 7030, 7031, 7301
V1B: Acronyms & Abbreviations	6277, 6349	6717
V1C: Change History	6195, 6318	
V1E: IEEE Language	6208, 6381	6421, 6422, 7521
V2A: Radio		6199, 6547
V2B: Baseband	5829, 5875, 5966, 6096, 6193, 6277, 6350	6421, 6443, 6446, 6480, 6505, 6523, 6531, 6537, 6618, 6646, 6647, 6668, 6714, 6721, 6749, 6953, 6964
V2C: LMP	5753, 5754, 5802, 5815, 5816, 5817, 5818, 5819, 6114, 6175, 6176, 6177, 6193, 6210, 6277, 6289, 6291, 6295, 6332, 6339, 6388, 6389, 6404	4783, 6447, 6531, 6606, 6735, 6773, 6776, 6852
V2D: Error Codes	5112, 5511, 5814, 6305, 6309	6421

Table 9.2: Errata integrated in v5.0 (Sheet 1 of 3)



	ESR09	ESR10
V2E: HCI	4354, 5000, 5174, 5247, 5266, 5821, 5822, 5826, 5828, 5859, 5905, 5907, 5926, 5927, 5935, 5959, 5960, 6072, 6110, 6115, 6211, 6265, 6277, 6278, 6286, 6293, 6301, 6302, 6326, 6338, 6339, 6374, 6409, 6419, 6420	4761, 4999, 5003, 6007, 6182, 6247, 6356, 6399, 6421, 6451, 6452, 6493, 6508, 6531, 6532, 6534, 6536, 6541, 6556, 6559, 6563, 6566, 6568, 6576, 6629, 6672, 6689, 6709, 6716, 6722, 6749, 6752, 6767, 6797, 6807, 6856, 6857, 6882, 6886, 6910, 6914, 6918, 6927, 6939, 6986, 6997, 6998, 7017, 7021, 7024, 7045, 7067, 7068, 7069, 7077, 7372
V2F: MSCs	5762, 5875, 6212, 6286, 6319	5089, 6218, 6428, 6531
V2H: Security Specification	6194, 6359	5791, 5792, 5882, 6421, 6902, 6906, 6907
V3A: L2CAP	5459, 5465, 5466, 5467, 5648, 5666, 5805, 5987, 6108, 6121, 6277, 6307, 6333	3548, 6417, 6421, 6567, 6702, 6898, 6939
V3B: SDP	5257, 6308	6421, 6694
V3C: GAP	4958, 5562, 5786, 5803, 5821, 5938, 5939, 5964, 5989, 6166, 6167, 6168, 6215, 6217, 6222, 6313, 6405, 6411	4348, 4777, 4872, 4919, 5110, 5399, 5407, 5418, 5433, 5435, 5708, 5778, 6214, 6356, 6401, 6421, 6439, 6502, 6510, 6574, 6575, 6599, 6732, 6745, 6764, 6897, 7032, 7033, 7354, 7355
V3D: Test Support		6421, 6525, 7075
V3F: ATT	5953, 6006, 6132, 6357	4243, 5107, 5610, 5919, 6098, 6575
V3G: GATT	4253, 4836, 5059, 6251	4654, 5242, 5359, 5383, 5717, 5718, 5719, 6575, 6582, 7028, 7065, 7066, 7072
V3H: Security Manager	4793, 4794, 5427, 5625, 6050, 6207, 6405	4796, 6219, 6421, 6436, 6729, 6796, 6824, 6946, 7461
V4A: UART Transport		6264
V4B: USB Transport Layer	5274	4165
V5A: 802.11 Protocol Adaptation		6421, 7036

Table 9.2: Errata integrated in v5.0 (Sheet 2 of 3)



	ESR09	ESR10
V6A: Physical Layer	6118, 6156	6228
V6B: Link Layer	5174, 5534, 5745, 5824, 5922, 5947, 5950, 5954, 5986, 5994, 6116, 6119, 6123, 6131, 6153, 6164, 6167, 6168, 6188, 6192, 6197, 6268, 6294, 6306, 6310, 6311, 6321, 6331, 6339, 6345, 6371, 6384	6182, 6352, 6356, 6421, 6455, 6469, 6471, 6517, 6518, 6531, 6553, 6577, 6586, 6664, 6672, 6697, 6710, 6733, 6734, 6821, 6847, 6913, 6939, 6947, 6962, 6963, 6984, 7003, 7025, 7034, 7080, 7081, 7106, 7153
V6C: Sample Data		5809
V6D: MSCs	6032, 6269	6563, 6672, 6847
V6E: LE Link Layer Security	6194	
V6F: Direct Test Mode	6390	6619, 6793, 6798, 7005, 7029
V7A: MWS Coexistence Logical Signaling	6234	5002
V7B: Wireless Coexistence Interface 1		6915
V7C: Wireless Coexistence Interface 2		6915

Table 9.2: Errata integrated in v5.0 (Sheet 3 of 3)

Table 9.3 lists the integrated ESR11 errata items.

	ESR11	
Global / Several Parts	7238, 7239, 7340	
V0C: Revision History and Acknowledgments	7895	
V1A: Architecture Overview	7421, 7422, 7423, 7484, 7772, 7777, 7980	
V1B: Acronyms & Abbreviations	7777, 7895	
V1C: Change History	7777	
V1D: Mixing of Spec Versions	7351, 7358	
V1E: IEEE Language		
V2A: Radio	7278, 7526, 7662, 7777	
V2B: Baseband	7304, 7305, 7320, 7651, 7777	

Table 9.3: Errata integrated in v5.0



	ESR11	
V2C: LMP	7145, 7284, 7285, 7292, 7320, 7367, 7713	
V2D: Error Codes	7293, 8039	
V2E: HCI	7143, 7158, 7185, 7187, 7217, 7218, 7234, 7262, 7274, 7326, 7334, 7375, 7396, 7458, 7485, 7504, 7644, 7650, 7706, 7716, 7717, 7821, 7835, 7851, 7867, 7871, 7900, 7991, 8090	
V2F: MSCs	7509	
V3A: L2CAP	7115, 7116, 7527, 7869	
V3B: SDP	7819	
V3C: GAP	7873, 8024	
V3D: Test Support	7878	
V3F: ATT	8041	
V3G: GATT	7159, 7160, 7737, 7891, 7896, 7897, 8051, 8055	
V3H: Security Manager	7226, 7320, 7469	
V5A: 802.11 Protocol Adaptation	7875, 7876, 7878	
V6A: Physical Layer	7408, 7777	
V6B: Link Layer	7122, 7152, 7195, 7209, 7269, 7320, 7321, 7330, 7331, 7481, 7482, 7630, 7686, 7720, 7777, 7791, 7809, 7995, 8031	
V6D: MSCs	7509	
V6F: Direct Test Mode	7156, 7281, 7696	
V7A: MWS Coexistence Logical Signaling	7525	

Table 9.3: Errata integrated in v5.0



10 CHANGES FROM v5.0 TO v5.1

10.1 NEW FEATURES

Several new features are introduced in v5.1. The major areas of improvement are:

- Angle of Arrival (AoA) and Angle of Departure (AoD)
- Advertising Channel Index
- GATT Caching
- Minor Enhancements batch 1
 - HCI support for debug keys in LE Secure Connections
 - Sleep clock accuracy update mechanism
 - ADI field in scan response data
 - Interaction between QoS and Flow Specification
 - Host channel classification for secondary advertising
 - Allow the SID to appear in scan response reports
 - Specify the behavior when rules are violated
- Periodic Advertising Sync Transfer

10.1.1 Features added in CSA6 – integrated in v5.1

- Models
- Mesh-based model hierarchy

10.2 REMOVED FEATURES

The following features were removed in this version of the specification:

- Unit keys

10.3 SECURITY ERRATUM

Erratum 10734, which introduces new security requirements relating to pairing, has been resolved and integrated in this version of the specification.



10.4 ERRATA INCORPORATED IN v5.1

Table 10.1 lists the integrated ESR errata items.

	ESR11	ESR12
Global / Several Parts		8407, 9085, 9088, 10278
V0C: Appendix	9065	
V1A: Architecture Overview	8132, 8211, 8218, 8347, 8632, 8804, 8808	9413, 9495, 9619, 9656, 9727, 9790, 10049, 10241, 10245, 10349
V1B: Acronyms & Abbreviations		10193
V1C: Change History	9065	
V1D: Mixing of Spec Versions	9049	
V1E: General Terminology	8129	9222, 9223, 9499, 10295
V2A: Radio		9477
V2B: Baseband	8153, 8184, 8185, 8187, 8188, 8211, 8218, 8531, 8552, 8555, 8562	9477, 9479, 9584, 9854, 9998, 10150, 10191, 10242, 10246, 10291
V2C: LMP	8180, 8185, 8221, 8224, 8355, 8364, 8366, 8367, 8368, 8406, 8533, 8554, 8702, 8911	8407, 8423, 9477, 9479, 9649, 9765, 9793, 10051, 10147, 10197, 10224, 10392, 10645
V2D: Error Codes	8803	
V2E: HCI	8106, 8117, 8134, 8149, 8170, 8172, 8176, 8181, 8202, 8236, 8262, 8267, 8329, 8352, 8387, 8522, 8531, 8556, 8557, 8559, 8560, 8561, 8562, 8596, 8597, 8621, 8622, 8647, 8649, 8650, 8651, 8653, 8654, 8658, 8660, 8661, 8689, 8752, 8848, 8858, 8859, 8868, 8909, 8914, 8920, 8932, 8934, 8953, 8970, 9044, 9106	8407, 9085, 9159, 9160, 9165, 9220, 9297, 9303, 9323, 9386, 9396, 9398, 9413, 9432, 9477, 9479, 9548, 9560, 9561, 9563, 9564, 9603, 9615, 9657, 9658, 9661, 9663, 9703, 9709, 9778, 9794, 9865, 9866, 9902, 9970, 10067, 10095, 10120, 10150, 10338, 10348, 10380, 10383, 10433, 10447, 10528, 10535, 10567, 10689, 10827
V2F: MSCs	8325	
V2H: Security	8215	9479, 9653, 10141, 10224, 10313, 10594, 10673

Table 10.1: Errata integrated in v5.1



	ESR11	ESR12
V3A: L2CAP	8419, 8562	9477, 9479, 10052, 10154, 10170, 10216, 10847
V3B: SDP	8562	9317, 10171, 10773
V3C: GAP	8229, 8230, 8232, 8354, 9098, 9107	9370, 9371, 9391, 9592, 9692, 10183, 10399, 10401, 10412, 10418, 10691
V3D: Test Support	8135, 8562	9477, 10147, 10410
V3E: A2MP	8562	
V3F: ATT	8208, 8412	9479
V3G: GATT	8562, 8563	9477, 9495, 9612, 9825, 9836, 9837, 10207
V3H: Security Manager	8562, 9074	9391, 9592, 9653, 9867, 10141
V4D: Three-wire UART	8562	
V5A: 802.11 Protocol Adaptation	8562	9479, 10446
V6A: Physical Layer		
V6B: Link Layer	8001, 8097, 8180, 8203, 8204, 8228, 8246, 8249, 8250, 8278, 8300, 8315, 8324, 8365, 8387, 8424, 8425, 8431, 8432, 8433, 8447, 8564, 8595, 8598, 8699, 8745, 8773, 8801, 8803, 8812, 8854, 9056, 9060	9162, 9205, 9277, 9328, 9382, 9391, 9411, 9433, 9479, 9484, 9524, 9556, 9603, 9676, 9679, 9754, 9806, 9820, 9870, 9958, 9967, 9972, 9984, 10001, 10002, 10013, 10073, 10103, 10139, 10205, 10260, 10266, 10336, 10387, 10390, 10402, 10660, 10692, 10693, 10701, 10828, 11179
V6C: Sample Data	8179, 8235	
V6D: MSCs	8299, 8313, 8314, 8316, 8322, 8624, 8917, 9106	9432, 9603, 10631
V6F: Direct Test Mode	8619, 8543, 9011	9799
V7A: MWS Coexistence Logical Signaling		

Table 10.1: Errata integrated in v5.1



11 CHANGES FROM v5.1 TO v5.2

11.1 NEW FEATURES

Several new features are introduced in v5.2. The major areas of improvement are:

- LE Isochronous Channels
- Enhanced Attribute Protocol
- LE Power Control

11.2 SECURITY ERRATUM

Erratum 11838, which introduces new security requirements and recommendations relating to encryption key size on BR/EDR, has been resolved and integrated in this version of the specification.

11.3 ERRATA INCORPORATED IN v5.2

Table 11.1 lists the integrated errata items.

	v5.2
Global / Several Parts	
V0A: Consolidated Table of Contents	11423
V0C: Revision History and Acknowledgments	
V1A: Architecture Overview	10961, 11422, 11529, 12232
V1B: Acronyms & Abbreviations	
V1C: Change History	
V1D: Mixing of Spec Versions	11870
V1E: General Terminology	8544, 10987
V1F: Controller Error Codes	
V2A: Radio	
V2B: Baseband	11234, 11422, 11499, 11911, 11973, 11974, 12035, 12057, 12445
V2C: LMP	8544, 10939, 10993, 11505, 11838, 11921, 12057
V2F: MSCs	10972, 11070
V2H: Security	11909, 11910, 11911

Table 11.1: Errata integrated in v5.2



	v5.2
V3A: L2CAP	11505, 11506, 11673, 11679, 12434, 12275
V3B: SDP	11505
V3C: GAP	6375, 10940, 11118, 11419, 11838, 12275, 12377
V3D: Test Support	
V3E: A2MP	
V3F: ATT	11112, 12105
V3G: GATT	10925, 10926, 10937, 11187, 12210, 12275, 12070
V3H: Security Manager	11294
V4D: Three-wire UART	
V4E: HCI	8544, 10825, 10861, 10962, 10972, 10985, 10987, 11044, 11117, 11124, 11205, 11226, 11280, 11346, 11347, 11348, 11356, 11391, 11471, 11505, 11589, 11590, 11591, 11602, 11615, 11616, 11636, 11763, 11768, 11769, 11838, 11933, 12152, 12245, 12338, 12420, 12434, 12450, 12458, 12493, 12481, 12057, 12640
V5A: 802.11 Protocol Adaptation	
V6A: Physical Layer	10958
V6B: Link Layer	10909, 10951, 10957, 11021, 11049, 11066, 11084, 11308, 11355, 11357, 11386, 11443, 11482, 11485, 11498, 11499, 11505, 11602, 11640, 11701, 11828, 12232, 12236, 12263, 13012
V6C: Sample Data	11330, 11357
V6D: MSCs	12109
V6E: Low Energy Link Layer	11551, 11649, 11683
V6F: Direct Test Mode	10984, 11731
V7A: MWS Coexistence Logical Signaling	10985

Table 11.1: Errata integrated in v5.2



12 CHANGES FROM v5.2 TO v5.3

12.1 NEW FEATURES

Several new features are introduced in v5.3. The major areas of improvement are:

- AdvDataInfo in Periodic Advertising
- Host to Controller Encryption Key Control Enhancements
- LE Enhanced Connection Update
- LE Channel Classification

12.2 REMOVED FEATURES

The following features were removed in this version of the specification:

- Alternative MAC/PHY
- AMP Manager protocol (A2MP)
- L2CAP Enhancements for AMP
- 802.11 PAL
- 802.11n Enhancements to the 802.11 PAL

12.3 ERRATA INCORPORATED IN v5.3

Table 12.1 lists the integrated errata items.

	v5.3
Global / Several Parts	11426, 11695, 12596, 14641, 15243, 15634
Front matter	15851, 16794
V0A: Consolidated Table of Contents	12495
V0B: Bluetooth Compliance Requirements	12495, 13250, 15754, 15874, 16979
V0C: Revision History and Acknowledgments	12495, 15631, 15632, 16032, 16312, 16605, 17067
V1A: Architecture Overview	10421, 11289, 11421, 11424, 11733, 11925, 11927, 12348, 12495, 14689, 14866, 15301, 15315, 15379, 15461, 15525, 15526, 15527, 15533, 15583, 16013, 16113, 16209, 16506, 16614, 16671, 16794, 16817, 16825, 16833, 16980, 17139

Table 12.1: Errata integrated in v5.3 (Sheet 1 of 5)



	v5.3
V1B: Acronyms & Abbreviations	10860, 11747, 12495, 15189
V1C: Change History	10860, 12495, 14930, 15368, 16032, 16163
V1D: Mixing of Spec Versions	12495, 14945, 15055, 15850, 16065
V1E: General Terminology	10306, 10419, 11702, 12495, 13190, 13500, 14670, 14705, 14773, 14972, 15368, 15461, 15583, 15851, 16163, 16635, 16671, 16672, 16794, 16843, 16906
V1F: Controller Error Codes	11747, 12495, 12664, 12720, 13346
V2A: Radio	11289, 11424, 12654, 13254, 15065, 15201, 15306, 16404, 16981
V2B: Baseband	10860, 11289, 11421, 11751, 12348, 13150, 13180, 13528, 14732, 14866, 14972, 15131, 15282, 15306, 15334, 15461, 15583, 15607, 15633, 15642, 15670, 15833, 15851, 16209, 16380, 16673, 16794, 16817
V2C: LMP	10419, 10860, 11421, 11424, 11747, 12093, 12589, 12908, 13147, 13167, 13180, 13195, 13417, 13473, 14646, 14689, 14790, 15039, 15115, 15117, 15162, 15176, 15220, 15273, 15334, 15388, 15467, 15541, 15583, 15639, 15834, 15851, 16500, 16566, 16794
V2F: MSCs	10860, 11289, 11895, 12187, 15197, 15464, 15583, 15630, 16191, 16572, 16646, 16817
V2G: Sample Data	10860, 15547, 15851, 16981, 17025
V2H: Security	10860, 11424, 12068, 12348, 12880, 13169, 13265, 13450, 15198, 15215, 15280, 15306, 15307, 15308, 15389, 15548, 15549, 15583, 15642, 15668, 15671, 15734, 15851, 16981, 16986
V3A: L2CAP	10860, 11289, 11421, 11895, 12713, 13147, 13151, 13185, 13235, 14605, 14749, 15254, 15256, 15306, 15313, 15323, 15461, 15554, 15578, 15583, 15630, 15833, 15850, 15851, 15944, 16065, 16116, 16187, 16188, 16191, 16266, 16493, 16518, 16549, 16550, 16794, 16817, 16982, 17046
V3B: SDP	10419, 11421, 11751, 12800, 13472, 15274, 16635, 16982, 16989

Table 12.1: Errata integrated in v5.3 (Sheet 2 of 5)



	v5.3
V3C: GAP	10419, 10860, 11289, 11421, 11787, 12322, 12348, 12379, 12725, 12973, 13147, 13152, 13162, 13182, 13184, 13186, 13187, 13188, 13335, 13336, 13406, 13407, 13425, 13603, 14797, 14896, 15006, 15039, 15255, 15302, 15314, 15334, 15384, 15385, 15400, 15403, 15406, 15408, 15497, 15546, 15583, 15630, 15831, 15850, 15851, 15871, 15944, 16198, 16209, 16310, 16381, 16471, 16506, 16517, 16518, 16536, 16557, 16609, 16982
V3D: Test Support	10860, 15409
V3E: A2MP	11421, 13236, 16065
V3F: ATT	10843, 13147, 13183, 13184, 13255, 13305, 13511, 13530, 14761, 14819, 14988, 15832, 16018, 16494, 16495, 16505, 16794, 16817, 16982
V3G: GATT	10419, 10843, 11925, 12348, 12526, 13067, 13147, 13153, 13184, 13189, 13247, 13263, 13304, 13307, 13332, 13418, 14988, 15142, 15334, 15550, 15586, 15764, 15831, 15850, 16178, 16188, 16266, 16479, 16505, 16671, 16759, 16920
V3H: Security Manager	10860, 11293, 11424, 12348, 12880, 13147, 13276, 13408, 14708, 14964, 15198, 15310, 15314, 15315, 15555, 15583, 15642, 15668, 15850, 15851, 16305
V4A: UART Transport Layer	14674, 16983
V4B: USB Transport Layer	11289, 11421
V4C: Secure Digital (SD) Transport Layer	
V4D: Three-wire UART	16635

Table 12.1: Errata integrated in v5.3 (Sheet 3 of 5)



	v5.3
V4E: HCI	10419, 10860, 11421, 11424, 11702, 11747, 11754, 11764, 11895, 12036, 12093, 12253, 12313, 12379, 12517, 12598, 12599, 12604, 12664, 12693, 12802, 12863, 12866, 12956, 13029, 13081, 13104, 13139, 13142, 13143, 13148, 13177, 13246, 13252, 13253, 13261, 13278, 13286, 13287, 13293, 13321, 13344, 13346, 13374, 13375, 13376, 13377, 13379, 13426, 13438, 13473, 13498, 13527, 13533, 13534, 13536, 13542, 13546, 13570, 13582, 13597, 14615, 14617, 14636, 14650, 14651, 14655, 14665, 14700, 14706, 14713, 14714, 14741, 14747, 14770, 14771, 14824, 14830, 14831, 14834, 14841, 14867, 14871, 14893, 14895, 14901, 14909, 14916, 14934, 14957, 14969, 14980, 14984, 14998, 15007, 15010, 15021, 15030, 15031, 15032, 15034, 15035, 15039, 15059, 15062, 15075, 15109, 15111, 15132, 15152, 15174, 15190, 15204, 15223, 15233, 15275, 15281, 15282, 15288, 15305, 15310, 15311, 15334, 15378, 15380, 15382, 15412, 15413, 15461, 15471, 15496, 15507, 15508, 15509, 15513, 15524, 15526, 15553, 15570, 15583, 15590, 15592, 15593, 15597, 15622, 15633, 15640, 15643, 15651, 15695, 15728, 15732, 15745, 15752, 15816, 15826, 15837, 15843, 15850, 15851, 15964, 16015, 16058, 16101, 16125, 16129, 16133, 16142, 16164, 16167, 16180, 16191, 16238, 16287, 16288, 16299, 16318, 16329, 16330, 16331, 16359, 16381, 16397, 16435, 16445, 16480, 16504, 16506, 16538, 16561, 16584, 16610, 16612, 16635, 16636, 16656, 16674, 16681, 16793, 16794, 16796, 16822, 16817, 16913, 16915, 16983
V5A: 802.11 Protocol Adaptation	11421, 12253, 13473, 15523
V6A: Physical Layer	12313, 13254, 15065, 15306, 15461, 15851, 16372, 16984

Table 12.1: Errata integrated in v5.3 (Sheet 4 of 5)



	v5.3
V6B: Link Layer	11164, 11421, 11668, 11702, 11895, 12102, 12250, 12251, 12252, 12313, 12325, 12379, 12664, 12802, 12955, 13089, 13155, 13178, 13179, 13184, 13212, 13251, 13260, 13374, 13387, 13512, 13523, 13526, 13534, 13591, 13603, 14604, 14615, 14655, 14665, 14676, 14680, 14681, 14698, 14699, 14707, 14746, 14750, 14770, 14777, 14779, 14831, 14835, 14842, 14851, 14854, 14855, 14911, 14922, 14934, 14958, 14969, 14979, 15007, 15010, 15021, 15027, 15042, 15059, 15062, 15070, 15096, 15145, 15200, 15204, 15223, 15235, 15286, 15288, 15292, 15300, 15303, 15317, 15426, 15428, 15429, 15495, 15497, 15518, 15579, 15583, 15584, 15630, 15642, 15659, 15711, 15742, 15816, 15818, 15825, 15835, 15839, 15850, 15851, 15894, 15999, 16039, 16067, 16093, 16101, 16114, 16210, 16251, 16282, 16287, 16346, 16347, 16359, 16363, 16372, 16381, 16442, 16506, 16537, 16553, 16554, 16610, 16618, 16657, 16671, 16675, 16681, 16731, 16794, 16817, 16984
V6C: Sample Data	11895, 12197, 15200
V6D: MSCs	10860, 12345, 12922, 14721, 14747, 14934, 15007, 15021, 15147, 15223, 15305, 15401, 15579, 15583, 15630, 15691, 15999, 16817, 16984, 17046
V6E: Low Energy Link Layer	12068, 16039, 16093, 16681
V6F: Direct Test Mode	
V6G: Isochronous Adaptation Layer	12797, 13082, 13083, 13085, 13086, 13251, 13316, 13533, 14665, 14771, 14897, 14901, 15304, 15658, 15672, 15851, 15963, 16278, 16817
V7A: MWS Coexistence Logical Signaling	
V7B: Wireless Coexistence Interface 1 (WCI-1) Transport Specification	11987, 11988
V7C: Wireless Coexistence Interface 2 (WCI-2) Transport Specification	

Table 12.1: Errata integrated in v5.3 (Sheet 5 of 5)



12.4 GLOBAL TERMINOLOGY CHANGES

Certain terms that were identified as inappropriate have been replaced. As a consequence, some other terms have also been changed to retain consistency and some HCI command and event names had consequential changes. For a list of the original terms and names and their replacements, see the Appropriate Language Mapping Tables, <https://www.bluetooth.com/language-mapping/Appropriate-Language-Mapping-Table>.

These terminology changes were made under the following issues: 15328, 15334, 15336, 15338, 15342, 15343, 15344, 15345, 15346, 15347, 15348, 15349, 15350, 15351, 15352, 15353, 15354, 15355, 15356, 15357, 15358, 15359, 15360, 15361, 15362, 15363, 15389, 15529, 15531.



13 CHANGES FROM v5.3 TO v5.4

13.1 NEW FEATURES

Several new features are introduced in v5.4. The major areas of improvement are:

- Advertising Coding Selection
- Encrypted Advertising Data
- LE GATT Security Levels Characteristic
- Periodic Advertising with Responses

13.2 REMOVED FEATURES

No features were removed in v5.4.

13.3 ERRATA INCORPORATED IN v5.4

Table 13.1 lists the integrated errata items.

	v5.4
Global / Several Parts	17307, 20357, 20589
Front matter	17925
V0A: Consolidated Table of Contents	
V0B: Bluetooth Compliance Requirements	15534, 20402, 22281
V0C: Version History and Acknowledgments	17026, 17070, 19267, 19268, 19269, 20567, 22267, 22438
V1A: Architecture Overview	15535, 16097, 16927, 16940, 17231, 17232, 17332, 17366, 17464, 17746, 17755, 18603, 18654, 18765, 19112, 19149, 19206, 20369, 20604, 22220, 22281
V1B: Acronyms & Abbreviations	17085, 17232, 17332, 18234, 19032, 19284, 20369
V1C: Change History	17232, 17332, 17993, 18302, 19025
V1D: Mixing of Spec Versions	15535, 17332
V1E: General Terminology	16542, 17028, 17090, 17888, 18234, 19202, 22345, 22439
V1F: Controller Error Codes	17332, 19090, 19198
V2A: Radio	17036, 17249, 20635

Table 13.1: Errata integrated in v5.4 (Sheet 1 of 4)



	v5.4
V2B: Baseband	15536, 15605, 17031, 17083, 17085, 17578, 17708, 17830, 17849, 18344, 19206
V2C: LMP	10969, 17031, 17083, 17532, 17565, 17591, 19206, 20605
V2F: MSCs	10969, 15536, 17039, 17391, 17566, 18068, 18946, 22220
V2G: Sample Data	10969, 17034
V2H: Security	15536, 16988, 17031, 17083, 17084, 17085, 17113, 17226, 17339, 17567, 22220
V3A: L2CAP	10969, 15248, 15537, 16591, 17042, 17043, 17044, 17050, 17051, 17085, 17232, 17319, 17332, 17464, 17468, 17560, 17568, 17580, 17709, 17849, 18303, 18341, 18343, 19054, 19098, 19206, 20635, 22220, 22441
V3B: SDP	10969, 15537, 17050, 17569, 17980
V3C: GAP	10969, 15537, 17044, 17050, 17214, 17332, 17398, 17470, 17571, 17702, 17832, 17946, 18083, 18234, 18303, 18668, 18766, 18819, 18820, 18896, 18905, 18962, 19042, 19093, 19149, 20369, 20374, 20385, 20420, 20452, 20605, 20606, 22185, 22193, 22220, 22222, 22441
V3D: Test Support	17083, 17572, 189051, 19217
V3E: A2MP	16263
V3F: ATT	10969, 16963, 17013, 17232, 17332, 17354, 17358, 17383, 17466, 17573, 17730, 19088, 22220
V3G: GATT	15248, 15537, 16947, 16962, 17232, 17332, 17574, 17698, 19169, 19194
V3H: Security Manager	10969, 15537, 16988, 17044, 17085, 17113, 17575, 17732, 18014, 18283, 19324, 22220
V4A: UART Transport Layer	
V4B: USB Transport Layer	15538, 17064, 17332, 17529
V4C: Secure Digital (SD) Transport Layer	17332
V4D: Three-wire UART	15538, 17085, 17107

Table 13.1: Errata integrated in v5.4 (Sheet 2 of 4)



	v5.4
V4E: HCI	15538, 16591, 16769, 16775, 16778, 16850, 16908, 16934, 16966, 16998, 17021, 17032, 17055, 17057, 17058, 17061, 17062, 17063, 17065, 17069, 17108, 17125, 17332, 17404, 17407, 17412, 17433, 17451, 17456, 17469, 17510, 17646, 17697, 17702, 17762, 17849, 17947, 18023, 18024, 18047, 18068, 18094, 18194, 18229, 18230, 18280, 18311, 18331, 18378, 18401, 18450, 18453, 18515, 18538, 18567, 18578, 18608, 18615, 18625, 18626, 18640, 18644, 18655, 18661, 18680, 18685, 18686, 18690, 18784, 18785, 18989, 18990, 19007, 19009, 19021, 19026, 19035, 19036, 19038, 19055, 19058, 19062, 19063, 19065, 19066, 19090, 19112, 19127, 19149, 19163, 19185, 19186, 19197, 19198, 19206, 19211, 19215, 19238, 20392, 20424, 20430, 20482, 20487, 22140, 22220, 22240, 22251, 22272, 22281, 22376, 22442
V5A: 802.11 Protocol Adaptation	
V6A: Physical Layer	17052, 18446, 18460, 18627, 20635, 20636, 22443
V6B: Link Layer	10969, 16097, 16591, 16878, 17052, 17083, 17085, 17089, 17234, 17332, 17352, 17356, 17361, 17390, 17433, 17489, 17509, 17531, 17583, 17702, 17849, 17971, 17991, 18070, 18100, 18226, 18233, 18234, 18267, 18311, 18456, 18476, 18555, 18566, 18567, 18632, 18648, 18653, 18701, 18742, 18766, 18805, 18833, 18834, 18970, 18989, 18990, 19007, 19026, 19060, 19080, 19087, 19089, 19112, 19132, 19149, 19151, 19200, 19206, 19238, 19266, 20385, 20389, 20401, 20444, 20447, 20472, 20499, 20605, 20624, 22169, 22170, 22219, 22220, 22371, 22443
V6C: Sample Data	17332
V6D: MSCs	10969, 15539, 17039, 17440, 17576, 17616, 18068, 18602, 18701, 20389, 20500, 22220
V6E: Low Energy Link Layer	16988, 17548, 20635, 22178
V6F: Direct Test Mode	17083, 17090, 17231, 17577, 20409

Table 13.1: Errata integrated in v5.4 (Sheet 3 of 4)



	v5.4
V6G: Isochronous Adaptation Layer	17090, 17462, 18001, 18002, 19149, 20476, 22281
V7A: MWS Coexistence Logical Signaling	22444
V7B: Wireless Coexistence Interface 1 (WCI-1) Transport Specification	10969, 19044, 22444
V7C: Wireless Coexistence Interface 2 (WCI-2) Transport Specification	17332, 19044, 22444

Table 13.1: Errata integrated in v5.4 (Sheet 4 of 4)

Architecture, Mixing, and Conventions
Part D

**MIXING OF
SPECIFICATION VERSIONS**



CONTENTS

1	Mixing of specification versions	346
1.1	Features and their types	347
1.2	Core Specification Addenda	350



1 MIXING OF SPECIFICATION VERSIONS

This part describes how volumes, and parts within volumes, of different versions and Specification Addenda of the specification may be mixed in Bluetooth implementations. The Core System consists of a BR/EDR Controller Package (see [Volume 2](#)), a Low Energy Controller Package (see [Volume 6](#)), and a Host Package (see [Volume 3](#)).

- All parts within a Controller implementation shall comply with the same version of [Volume 2](#), [Volume 4 Part E](#), and [Volume 6](#).
- All parts within a Host implementation of [Volume 3](#) shall comply with the same version and, if included, with the same or a higher version of [Volume 4 Part E](#).
- The Controller and Host may comply with different versions within a single implementation.

In order to describe how these volumes and parts within volumes can be mixed, one needs to distinguish between four categories of features specified in the different specification versions. The four categories are:

Category	Description
Type 1	Feature that exists below HCI and cannot be configured/enabled via HCI
Type 2	Feature that exists below HCI and can be configured/enabled via HCI
Type 3	Feature that exists below and above HCI and requires HCI command/events to function
Type 4	Feature that exists only above HCI

Table 1.1: Feature type definitions

The outcome of mixing different Core System Packages are derived from the feature definitions in [Table 1.1](#).

- If an implementation contains features of type 1 or type 4, these features can function with any combination of Host Package and Controller Package versions with applicable addenda.
- If an implementation contains features of type 2, these features can only be used under a default condition if a Host Package of a lower version with applicable addenda is mixed with a Controller Package of this version with applicable Core Specification Addenda (CSAs).



- A feature can only be fully used under all conditions if the Host Package and the Controller Package comply with the same or a higher version with applicable CSAs.
- If an implementation contains features of type 3, these features can only function if the Host Package supports this version or a higher version with applicable CSAs and if the Controller Package complies with this version or a higher version with applicable CSAs.

1.1 FEATURES AND THEIR TYPES

Table 1.2 lists the features, their types, and the version or addendum where the feature was first introduced.

Feature	Version	Type
Basic AFH operation	1.2	1
Enhanced inquiry	1.2	1
Configuration of AFH (setting channels and enabling/disabling channel assessment)	1.2	2
Enhanced synchronization capability	1.2	2
Interlaced inquiry scan	1.2	2
Interlaced page scan	1.2	2
Broadcast encryption	1.2	2
Enhanced flow specification and flush timeout	1.2	3
Extended SCO links	1.2	3
Inquiry Result with RSSI	1.2	3
L2CAP flow and error control	1.2	4
2 Mb/s EDR	2.0 + EDR	2
3 Mb/s EDR	2.0 + EDR	2
3 slot packets in EDR	2.0 + EDR	2
5 slot packets in EDR	2.0 + EDR	2
2 Mb/s eSCO	2.0 + EDR	2
3 Mb/s eSCO	2.0 + EDR	2
3 slot packets for EDR eSCO	2.0 + EDR	2
Erroneous Data Reporting	2.1 + EDR	3
Extended Inquiry Response	2.1 + EDR	3
Encryption Pause and Resume	2.1 + EDR	1
Link Supervision Timeout Changed event	2.1 + EDR	3

Table 1.2: Features and their types (Sheet 1 of 3)



Feature	Version	Type
Non-Flushable Packet Boundary Flag	2.1 + EDR	3
Sniff subrating	2.1 + EDR	3
Secure Simple Pairing	2.1 + EDR	3
L2CAP Enhanced Retransmission Mode	Addendum 1/ 3.0 + HS	4
L2CAP Streaming Mode	Addendum 1/ 3.0 + HS	4
Enhanced Power Control	3.0 + HS	1
Generic Test Methodology	3.0 + HS	3
Unicast Connectionless Data	3.0 + HS	4
Low Energy Controller (PHY and LL)	4.0	3
Low Energy Host (L2CAP and Security Manager)	4.0	4
Attribute Protocol and Generic Attribute Profile	4.0	4
Appearance Data Type	Addendum 2	4
MWS Coexistence Signaling	Addendum 3	2
Connectionless Peripheral Broadcast	Addendum 4	3
Unencrypted UCD	Addendum 4	4
BR/EDR Secure Connections	4.1	3
Train Nudging	4.1	2
Generalized Interlaced Scan	4.1	2
Piconet Clock Adjustment	4.1	3
Low Duty Cycle Directed Advertising	4.1	2
32-bit UUID Support in LE	4.1	4
LE Dual Mode Topology	4.1	4
LE L2CAP Connection-Oriented Channel Support	4.1	4
LE Privacy v1.1	4.1	4
LE Link Layer topology	4.1	3
LE Ping	4.1	2
LE Data Packet Length Extension	4.2	2
LE Secure Connections	4.2	4
Link Layer privacy	4.2	3
Link Layer Extended Filter policies	4.2	3

Table 1.2: Features and their types (Sheet 2 of 3)



Feature	Version	Type
Slot Availability Mask	5.0	2
LE 2M PHY	5.0	2
LE Coded PHY	5.0	3
High Duty Cycle Non-Connectable Advertising	5.0	2
LE Advertising Extensions	5.0	3
LE Channel Selection Algorithm #2	5.0	2
LE Higher Output Power	Addendum 5	1
Angle of Arrival/Angle of Departure	5.1	2
GATT Caching	5.1	4
Periodic Advertising Sync Transfer	5.1	3
Control Length Extension	5.1	1
Advertising Channel Index	5.1	1
HCI support for debug keys in LE Secure Connections	5.1	2
Sleep clock accuracy update mechanism	5.1	2
ADI field in scan response data	5.1	1
Interaction between QoS and Flow Specification	5.1	2
Host channel classification for secondary advertising	5.1	2
Allow the SID to appear in scan response reports	5.1	1
LE Isochronous Channels	5.2	3
Enhanced Attribute Protocol	5.2	4
LE Power Control	5.2	2
Periodic Advertising ADI support	5.3	2
Set Min Encryption Key Size command and Encryption Change [v2] event	5.3	2
Connection Subrating	5.3	3
Channel Classification	5.3	2
Advertising Coding Selection	5.4	2
Encrypted Advertising Data	5.4	4
Periodic Advertising with Responses	5.4	3
LE GATT Security Levels Characteristic	5.4	4

Table 1.2: Features and their types (Sheet 3 of 3)



1.2 CORE SPECIFICATION ADDENDA

A Core Specification Addendum (CSA) contains one or more parts of a single volume, one or more parts in multiple volumes, changes on one or more parts, or a combination of parts and changes. Addenda are used to supersede a part in a volume or may be used to add a part to a volume according to the rules in [Table 1.3](#).

Note: Each Change may contain changes and/or additions to one or more parts of the specification.

Addendum	Volume and Part or change name	Addition/ Changes/ Replacement	Allowed Versions & Addenda	Mandatory / Optional / Conditional	Type
1	Volume 3, Part A	Replacement	2.0 + EDR, 2.1 + EDR	O	4
2	Audio Architecture HCI changes	Change	2.1 + EDR, 3.0 + HS, 4.0	O	2
	Audio Architecture USB changes	Change	2.1 + EDR, 3.0 + HS, 4.0	O	2
	LE Limited Discovery Time Changes	Change	4.0	C.1	4
	EIR and AD Data Types in GAP changes	Change	4.0	C.1	4
	EIR and AD Data Types Specification	Addition	4.0	C.1	4
	Volume 5, Part A	Replacement	3.0 + HS, 4.0	O	3

Table 1.3: Adopted specification versions to use with addenda (Sheet 1 of 3)



Addendum	Volume and Part or change name	Addition/ Changes/ Replacement	Allowed Versions & Addenda	Mandatory / Optional / Conditional	Type
3	LE Errata	Change	4.0 with CSA2	C.2	Multiple
	GAP Connection Parameters Changes	Change	4.0 with CSA2	C.1	4
	GAP Authentication and Lost Bond Changes	Change	4.0 with CSA2	C.1	4
	Common Profile and Services Error Code Range Changes	Change	4.0 with CSA2	C.1	4
	Private Addressing Changes	Change	4.0 with CSA2	C.1	4
	Dual Mode Addressing Changes	Change	4.0 with CSA2	C.3	4
	MWS Coexistence Logical Signaling Specification	Addition	2.1 + EDR, 3.0 + HS, 4.0 with CSA2	O	2
	MWS Coexistence HCI	Addition	2.1 + EDR, 3.0 + HS, 4.0 with CSA2	C.4	2
	Wireless Coexistence Interface 1 (WCI-1) Transport Layer Specification	Addition	2.1 + EDR, 3.0 + HS, 4.0 with CSA2	C.4	2
Wireless Coexistence Interface 2 (WCI-2) Transport Layer Specification	Addition	2.1 + EDR, 3.0 + HS, 4.0 with CSA2	C.4	2	

Table 1.3: Adopted specification versions to use with addenda (Sheet 2 of 3)



Addendum	Volume and Part or change name	Addition/ Changes/ Replacement	Allowed Versions & Addenda	Mandatory / Optional / Conditional	Type
4	Connectionless Peripheral Broadcast	Change	3.0 + HS, 4.0 with CSA3	O	3
	Unencrypted UCD	Change	3.0 + HS, 4.0 with CSA3	O	4
	Fast Advertising Interval	Change	4.0 with CSA3	C.1	4
	eSCO Reserved Slot Clarification	Change	2.1 + EDR, 3.0 + HS, 4.0 with CSA3	O	1
5	Higher Output Power	Change	4.0 with CSA3, 4.0 with CSA4, 4.1, 4.2	O	1
6	Volume 0, Part B	Replacement	4.0 with CSA3, 4.0 with CSA4, 4.0 with CSA5, 4.1, 4.1 with CSA5, 4.2, 4.2 with CSA5, 5.0	M	N/A
	Volume 1, Part A	Change	4.0 with CSA3, 4.0 with CSA4, 4.0 with CSA5, 4.1, 4.1 with CSA5, 4.2, 4.2 with CSA5, 5.0	M	N/A

Table 1.3: Adopted specification versions to use with addenda (Sheet 3 of 3)

Mixing of Specification Versions

- C.1: Mandatory if either the Host Part of the Low Energy Core Configuration or the Host Part of the Basic Rate and Low Energy Combined Core Configuration is supported, otherwise Excluded.
- C.2: Mandatory if either the Host Part of the Low Energy Core Configuration, Controller Part of the Low Energy Core Configuration, Host Part of the Basic Rate and Low Energy Combined Core Configuration, or Controller Part of the Basic Rate and Low Energy Combined Core Configuration is supported, otherwise Excluded.
- C.3: Mandatory if the Host Part of the Basic Rate and Low Energy Combined Core Configuration is supported, otherwise Excluded.
- C.4: Optional if MWS Coexistence Logical Signaling is supported, otherwise Excluded.

Architecture, Mixing, and Conventions
Part E

**GENERAL TERMINOLOGY
AND INTERPRETATION**



CONTENTS

1	Language conventions	356
1.1	[This section is no longer used]	356
1.2	[This section is no longer used]	356
1.3	[This section is no longer used]	356
1.4	[This section is no longer used]	356
1.5	[This section is no longer used]	356
1.6	[This section is no longer used]	356
1.7	Implementation Alternatives	356
1.8	Discrepancies	357
1.9	Appropriate Language	357
2	General interpretation rules	358
2.1	Binary and hexadecimal values	358
2.2	Bit numbers and bit fields	358
2.3	Specification of bit values	358
2.4	Values with restricted purposes	359
2.4.1	Reserved for future use	359
2.4.2	Previously used.....	359
2.5	Use of invalid values in checksums and other calculations	360
2.6	Assigned number requirements	360
2.7	Responding to invalid behavior	360
2.8	Ranges of values	362
2.9	Type Names	362
2.9.1	Basic types.....	362
2.9.2	Array types.....	363
2.9.3	Variable length types.....	363
2.10	Mathematical conventions	364
2.11	Requirement status symbols	365
2.12	Table structure	366
3	Naming conventions	367
3.1	BR/EDR	367
3.2	Bluetooth Low Energy	367
3.2.1	Link Layer PDUs	367



1 LANGUAGE CONVENTIONS

In the development of a specification, the Bluetooth SIG has established the following conventions for use of the terms “shall”, “shall not”, “should”, “should not”, “may”, “must”, and “can”. In this Bluetooth specification, the terms in Table 1.1 have the specific meanings given in that table, irrespective of other meanings that exist.

shall	—used to express what is required by the specification and is to be implemented exactly as written without deviation
shall not	—used to express what is forbidden by the specification
should	—used to express what is recommended by the specification without forbidding anything
should not	—used to indicate that something is discouraged but not forbidden by the specification
may	—used to indicate something that is permissible within the limits of the specification
must	—used to indicate either: 1. an indisputable statement of fact that is always true regardless of the circumstances 2. an implication or natural consequence if a separately-stated requirement is followed
can	—used to express a statement of possibility or capability

Table 1.1: Language conventions terms and definitions

1.1 [THIS SECTION IS NO LONGER USED]

1.2 [THIS SECTION IS NO LONGER USED]

1.3 [THIS SECTION IS NO LONGER USED]

1.4 [THIS SECTION IS NO LONGER USED]

1.5 [THIS SECTION IS NO LONGER USED]

1.6 [THIS SECTION IS NO LONGER USED]

1.7 IMPLEMENTATION ALTERNATIVES

When specification content indicates that there are multiple alternatives to satisfy specification requirements, if one alternative is explained or illustrated in



an example it is not intended to limit other alternatives that the specification requirements permit.

1.8 DISCREPANCIES

It is the goal of Bluetooth SIG that specifications are clear, unambiguous, and do not contain discrepancies. However, members can report any perceived discrepancy by filing an erratum and can request a test case waiver as appropriate.

1.9 APPROPRIATE LANGUAGE

Certain terms that were identified as inappropriate have been replaced. As a consequence, some other terms have also been changed to retain consistency and some HCI command and event names had consequential changes. For a list of the original terms and names and their replacements, see the Appropriate Language Mapping Tables, <https://www.bluetooth.com/language-mapping/Appropriate-Language-Mapping-Table>.



2 GENERAL INTERPRETATION RULES

The following rules apply throughout the specification except where explicitly overridden.

2.1 BINARY AND HEXADECIMAL VALUES

Binary numbers are normally written with a "0b" prefix, so 0b1101 is the same as the decimal number 13.

In some places a sequence of bits is written in quotation marks thus: '1010'. Such sequences are not normally intended to be interpreted as numbers. The order that the bits are to be processed will always be specified.

Hexadecimal numbers are written with a "0x" prefix, so 0x42 is the same as the decimal number 66. The letters "a" to "f" are used to represent the digits 10 to 15, so 0x1A is the same as the decimal number 26. The case of letters in a hexadecimal number is not significant.

Underscore characters may be placed between the digits of binary or hexadecimal numbers to make them easier to interpret; these underscores shall not affect the value. For example, 0b0010_1011 and 0b00101011 both equal the decimal number 43.

All numbers not written in one of the above ways are decimal.

2.2 BIT NUMBERS AND BIT FIELDS

In some cases the specification needs to refer to some of the bits of an integer value. Bits are always numbered from 0 as the least significant bit, so bit 0 of 0b1011 equals 1 while bit 2 equals 0. A single bit will be notated with a subscript, as in CLK_5 .

Sometimes it is necessary to refer to a consecutive set of bits; for example, given a value CLK it may be necessary to refer to bits 2 to 4 of CLK (that is, the value equal to $(CLK \div 4) \bmod 8$). This will be notated either by a subscript with a dash or by brackets and a colon; the bit numbers will always be inclusive and the most significant bit number is given first. For example, bits 2 to 4 of CLK are written CLK_{4-2} or $CLK[4:2]$.

2.3 SPECIFICATION OF BIT VALUES

Some values in the specification are divided into individual bits, each of which has a description. If explicit bit values are not given then this description represents the meaning when the bit equals 1 and the opposite applies when the value is 0. For example, a description of:

Bit 3: use 3-slot packets



means the same as:

Bit 3 = 1: use 3-slot packets;

Bit 3 = 0: do not use 3-slot packets.

2.4 VALUES WITH RESTRICTED PURPOSES

Where a field in a packet, PDU, or other data structure, a parameter, or another variable object is described as being split into components (e.g., when each bit of a field has a separate meaning), the rules in this section apply to each component separately.

2.4.1 Reserved for future use

Where a field in a packet, PDU, or other data structure is described as "Reserved for future use" (irrespective of whether in upper or lower case), the device creating an instance of the structure to send to another device (including messages sent between a Host and a Controller over HCI) shall set it to zero. Any device receiving or interpreting the structure shall ignore that field; in particular, it shall not reject the structure because of the value of the field.

Where a field, parameter, or other variable object can take a range of values and some values are described as "Reserved for future use", devices shall not set the object to any of those values. A device receiving an object with such a value should reject it, and any data structure containing it, as being erroneous; however, this does not apply in a context where the object is described as being ignored or if it is specified to ignore unrecognized values.

Where a field, parameter, or other variable object only has meanings specified for some values, all other values are reserved for future use.

The abbreviation "RFU" is equivalent to "Reserved for future use".

2.4.2 Previously used

The term "Previously used" (irrespective of whether in upper or lower case) indicates that a field or value was used for a removed feature (see [\[Vol 1\] Part C, Section 1](#)). Devices that do not implement that feature shall treat the field or value as reserved for future use.

Note: These fields and values will not be used for new features.



2.5 USE OF INVALID VALUES IN CHECKSUMS AND OTHER CALCULATIONS

Where a field or value is used as part of a checksum, CRC, cryptographic key, or other similar calculation, and the value sent to or received from the peer is not valid (for example, it is an RFU field that has not been set to 0 by the sender), the actual value sent or received shall be used in the calculation and it shall not be replaced by a different valid value.

2.6 ASSIGNED NUMBER REQUIREMENTS

The Bluetooth SIG maintains a published set of assigned numbers on the Bluetooth SIG [Assigned Numbers](#) web page. These assigned numbers are grouped in various number spaces. Numbers assigned may overlap with other assigned numbers in different number spaces, but no number within a number space is ever reused. The various number spaces are defined in the specification that defines the usage of the assigned numbers.

All assigned numbers within a given number space shall only be designated by the Bluetooth SIG and shall only be used for their intended purposes when used within a field, parameter, or other variable object defined to take on a value within that number space. All values not explicitly assigned within a given number space are Reserved for future use and subject to the requirements in [Section 2.4](#).

All 16-bit and 32-bit UUIDs as defined in [\[Vol 3\] Part B, Section 2.5.1](#), are considered assigned numbers. All other UUID values may be used in any context where a UUID is permitted provided they are generated according to the recommendations in ITU-T Rec. X.667(10/2012), alternatively known as ISO/IEC 9834.8:2014.

2.7 RESPONDING TO INVALID BEHAVIOR

If a device receives a packet or PDU that it supports but is not permitted in its current state, or has contents not permitted by the specification, the sending device has exhibited invalid behavior. Unless the specification states a particular action to be taken, the receiving device should respond in one of the following ways:

- Ignore the packet or PDU.
- Attempt to recover the situation while both not violating the specification and being prepared for the sending device to be in a state where one or both devices cannot recover.
- If the packet or PDU was received from the peer device in a connection, either immediately terminate that connection or consider the connection to be lost. This may be done at any appropriate layer; e.g., following invalid behavior on an L2CAP channel, a device could choose to terminate either the channel or the underlying ACL connection.



Methods for recovering from invalid behavior include, but are not limited to:

- Sending a rejection response
- If a packet or PDU is too long, ignoring the extra contents
- If a value is out of range, using the nearest permitted value
- If a field is missing, using any default value specified

Examples of packets or PDUs not permitted in the current state include:

- A POLL packet sent by a Peripheral (see [\[Vol 2\] Part B, Section 6.5.1.3](#))
- An LMP_DETACH PDU received while the device is in Hold or Sniff mode (see [\[Vol 2\] Part C, Section 4.1.2](#))
- Any packet sent on the primary advertising physical channel using the LE 2M PHY or an ADV_IND PDU sent on the LE Coded PHY (see [\[Vol 6\] Part B, Section 2.3](#))
- Two consecutive LL_FEATURE_REQ PDUs sent by a Central with no LL_FEATURE_RSP sent by the Peripheral between them (see [\[Vol 6\] Part B, Section 5.1.4.1](#))
- A second LL_VERSION_IND PDU sent by the same device during the same connection (see [\[Vol 6\] Part B, Section 5.1.5](#))
- A second ATT request or indication before the device has sent a response or confirmation in reply to the first one

Examples of packets and PDUs with contents not permitted by the specification include:

- A packet or PDU which is required to have a specific length but does not have that length
- A PDU where the value of a specific parameter or field is out of range (also see [Section 2.4](#))
- An L2CAP C-frame sent over fixed channel CID 0x0005 that contains more than one command (see [\[Vol 3\] Part A, Section 4](#)) or has a length longer than that of the enclosed command packet

Note: The appropriate response to invalid behavior will depend on the specific circumstances and the choice made can affect the user experience. For example, a POLL packet sent by a Peripheral could actually be a NULL packet with the TYPE field corrupted, so it would be reasonable to ignore the POLL packet rather than terminate the connection. On the other hand, invalid behavior during a security procedure can indicate an attack by a third party and immediate disconnection may be appropriate.

Note: If the sending device supports different features or a different version of the specification, invalid behavior can occur because there are different requirements and one device has not checked for this possibility, such as by checking feature masks.



2.8 RANGES OF VALUES

Where a range is given (e.g. "the value is between 1 and 10", "in the range 7 to Nmax", or "Size: 1-31") then the range always includes both endpoints unless explicitly stated otherwise.

2.9 TYPE NAMES

The names defined in this section are used in the specification to indicate the type and representation of a value.

Values shall be stored in little-endian order. Except in arrays (see [Section 2.9.2](#)), a value of a given type shall be stored in the smallest number of octets that can contain the value; the value shall occupy the whole of each octet except the most significant bits of the last octet. All other bits in the last octet shall be reserved for future use. For example, if a value has a size of 22 bits, then it occupies 3 octets:

- The 8 least significant bits (value_{7-0}) are stored in the first octet.
- The next 8 bits (value_{15-8}) are stored in the middle octet.
- The 6 most significant bits (value_{21-16}) are stored in the 6 least significant bits of the last octet.
- The 2 most significant bits of the last octet are reserved for future use.

Where a value appears in an SDP service record (see [\[Vol 3\] Part B, Section 2.2](#)), the octets representing the value shall be reversed in order to match the big-endian order used by SDP. The order of elements of an array shall be unchanged.

2.9.1 Basic types

The names *uint#*, where # is a decimal number other than zero, indicate an unsigned integer with the specified number of bits; therefore *uint16* is an unsigned integer with 16 bits. The value shall be represented in binary, so *uint16* has the range of values 0 to 65535.

The names *sint#*, where # is a decimal number other than 0 or 1, indicate a signed integer with the specified number of bits including sign; therefore *sint12* is a signed integer with 12 bits. The value shall be represented in two's-complement binary with the sign bit as the most significant bit, so *sint12* has the range of values -2048 to +2047.

The name *boolean* indicates a single bit representing a truth value: a 0 bit represents false and a 1 bit represents true.

The names *float#*, where # is 16, 32, 64, 128, or 256, indicate a floating point number using the IEEE 754 interchange format with that number of bits.



The names *medfloat16* and *medfloat32* indicate the 16 and 32 bit floating point types defined in ISO/IEEE 11073-20601.

The names *UUID16*, *UUID32*, and *UUID128* indicate the three lengths of UUID (see [Vol 3] Part B, Section 2.5.1). The name *UUID* indicates a UUID whose length is specified separately to the value.

2.9.2 Array types

Any basic type may be converted to an array type of a specific length. The name of the array type is formed from the name of the basic type by adding the length, in brackets, after the name. For example, *sint12[3]* indicates an array of 3 values, each of type *sint12*. Empty brackets indicate that the length of the array is specified elsewhere. The original type is called the base type of the array.

If the size of the base type is 1 bit, each group of 8 consecutive elements is packed into an octet starting at the least significant bit for the first value.

If the size of the base type is 2 bits, each group of 4 consecutive elements is packed into an octet using bits 1-0 for the first value, bits 3-2 for the second value, bits 5-4 for the third value, and bits 7-6 for the fourth value.

If the size of the base type is 3 bits, each consecutive pair of elements is packed into an octet using bits 2-0 for the first value and bits 5-3 for the second value; bits 6 and 7 of each octet are reserved for future use.

If the size of the base type is 4 bits, each consecutive pair of elements is packed into an octet using bits 3-0 for the first value and bits 7-4 for the second value.

If the number of elements is not a multiple of 8, 4, or 2 as appropriate, the bits of the last octet that are not occupied by values are reserved for future use.

If the size of the base type is 5 bits or more, each element of the array occupies separate octets.

For example, the type *uint2[5]* occupies two octets, with the first value occupying bits 1-0 of the first octet, the fourth value occupying bits 7-6 of the first octet, the last value occupying bits 1-0 of the second octet, and bits 7-2 of the second octet reserved for future use. The type *sint12[3]* occupies six octets in total, two for each element.

2.9.3 Variable length types

The name *utf8s* indicates a variable length array of octets holding a string encoded using UTF-8. A specific number of octets may be indicated by appending the number in braces to the type name, so *utf8s{6}* indicates an array of 6 octets. If the actual string is shorter than the size of the array, the first



unused octet shall be zero. If the number in braces is followed by the letter “z”, the remaining octets shall also be zero. For example, the string “Café” is represented in the type *utf8s{8z}* by the octet sequence 0x43, 0x61, 0x66, 0xC3, 0xA9, 0x00, 0x00, 0x00. If a specific length is not indicated, the length is specified separately to the value.

The name *utf16s* indicates a variable length array of *uint16* values holding a string encoded using UTF-16LE; the length is specified separately to the value.

The name *struct* indicates a variable length array of octets whose length and internal format are specified separately to the value.

2.10 MATHEMATICAL CONVENTIONS

These conventions apply to how mathematical symbols are used in this specification, irrespective of how they are interpreted in any other context.

The operators +, −, ×, and ÷ have their usual meanings. Division is done using real numbers unless the result is being assigned to or used as an integer, in which case the quotient is rounded towards zero. The × operator is sometimes omitted if the meaning is clear. (This specification sometimes uses * instead of × for multiplication and / instead of ÷ for division. These uses are being phased out and can be treated as equivalent.)

The operator *mod* indicates the remainder from division; $x \bmod y$ is the remainder when x is divided by y . It is only used with both operands being integers and y greater than zero. The division is rounded down so that the remainder is always non-negative; in other words, $x \bmod y$ always equals $x - \lfloor x \div y \rfloor \times y$.

The operators + and − have equal precedence. The operators ×, ÷, and *mod* have equal precedence, which is higher than that of + and −. Exponentiation has higher precedence than all of these operators. Expressions involving operators of equal precedence are evaluated from left to right. Precedence can be overridden using parentheses; unless clear from the context, brackets and braces are equivalent to parentheses and are used for clarity. Exponents and subscripts are evaluated separately as if they were in parentheses; for example, x^{2-y} means x raised to the power $2 - y$, not the square of x with y then subtracted.

Signed integers shall be represented as two’s complement.

Where a field, variable, parameter, or similar is specified as an integer with a specific number of bits B , then any requirement to store a value not representable in B bits shall be carried out by adding or subtracting 2^B until the value is in range. In particular, adding 1 to an unsigned variable with value $2^B - 1$ results in setting it to zero.



The relational operators $<$, $>$, \leq , \geq , $=$, and \neq have lower precedence than all arithmetic operators. Multiple relational operators are logically combined; e.g., $x < y \geq z$ means that x is required to be less than y and that y is required to be at least as great as z .

The bitwise operators NOT, AND, OR, and XOR are applied to each bit of their operands separately; for the last three, the operands will have the same number of bits.

The symbols in [Table 2.1](#) have the meanings given in that table.

Symbol	Meaning
$\lfloor x \rfloor$	the largest integer less than or equal to x
$\lceil x \rceil$	the smallest integer greater than or equal to x
$ x $	the absolute value of x
\sqrt{x}	the square root of x
$\min(x, y)$	the minimum value of x and y ; there can be more than two arguments
$\max(x, y)$	the maximum value of x and y ; there can be more than two arguments
$x \pm y$	any value v such that $x - y \leq v \leq x + y$; the precedence is the same as the $+$ operator
$\log_B x$	logarithm base B of x
$x \parallel y$	concatenation of bit sequences

Table 2.1: Assorted mathematical symbols

2.11 REQUIREMENT STATUS SYMBOLS

In this document (such as in requirements tables), the following symbols are used:

- “M” for mandatory to support or include.
- “O” for optional to support or include. Where more than one item is optional, they are independent: each can be supported (or included) or not, irrespective of the choice made for any other item.
- “C.#” for conditional support or inclusion (# represents any number or number followed by a letter); the condition will be defined nearby in terms of whether other items are supported or included.
- “E” for excluded in this context; cannot be supported or included for this purpose, but the item can still be supported or included if allowed for some other purpose (e.g., a feature can be mandatory for one role and excluded for another; a device that supports both roles must support this feature).
- “X” for reserved for future use; excluded in this context but might change status in a future version of this document.



2.12 TABLE STRUCTURE

A blank cell in a table indicates that there is no useful information that can be placed in this cell. Examples of this are:

- When there is no comment to make in a "comments" column
- In a column specifying properties when the relevant item is reserved for future use (and therefore does not have any properties)
- In a "units" column when the relevant item is unitless

Where an explicit absence is indicated, the cell will contain "*none*". Examples of this are:

- In the "condition" column of the description of a finite state machine where a rule is unconditional
- In the "action" column of the description of a finite state machine where a rule has no action
- In a "restrictions" column where there are no applicable restrictions
- In an interface description where there are no parameters of a specific type



3 NAMING CONVENTIONS

3.1 BR/EDR

This section is not currently used.

3.2 BLUETOOTH LOW ENERGY

3.2.1 Link Layer PDUs

A consistent naming scheme is used for Link Layer PDUs to make their purpose and usage clearer.

The PDU name consists of up to five components. Each component is entirely uppercase. Those components that are present are separated by a single underscore (e.g., if only three of the five components are present, there are two underscores, not four). In order, these components are:

1. Where the PDU is used (optional)
2. When the PDU is used (mandatory)
3. What the PDU does (optional but usually present)
4. Version (optional)
5. How the PDU is used (mandatory)

The first component ("where") indicates which physical channel the PDU is used on. The values currently used are shown in [Table 3.1](#).

Value	Meaning
none	PDU is used on the primary advertising physical channel or any non-advertising physical channel
AUX	PDU is used on the secondary advertising physical channel

Table 3.1: First component ("where") values

The second component ("when") indicates which kind of Link Layer procedure makes use of the PDU. The values currently used are shown in [Table 3.2](#).

Value	Meaning
ADV	Normal Advertising
SYNC	Periodic Advertising
SCAN	Scanning
CONNECT	Connecting

Table 3.2: Second component ("when") values



Value	Meaning
CHAIN	Fragmented Data
LL	Control PDU on the Data logical transport
BIG	Control PDU in a Broadcast Isochronous Group on the isochronous logical transport
DATA	Reliable Data ^{Note 1}
CIS	Isochronous data PDU in a Connected Isochronous Stream
BIS	Isochronous data PDU in a Broadcast Isochronous Stream

Table 3.2: Second component (“when”) values

Note 1: This name is not currently used in the specification.

The third component (“what”) distinguishes different PDUs that are found in the same context. While it is normally present, it is sometimes omitted where there is a “default” or “usual” case. This component may contain more than one word separated by underlines.

For example, the different cases for legacy advertising are shown in [Table 3.3](#).

Value	Meaning
<i>none</i>	Various
DIRECT	Connectable directed
NONCONN	Non-connectable and non-scannable undirected
SCAN	Scannable undirected

Table 3.3: Third component (“what”) values for legacy advertising

As another example, each Link Layer PDU has a value for this component based on the specific procedure it is used for.

The fourth component (“version”) distinguishes between PDUs with the same purpose but different contents (usually because the original PDU was found to be insufficient to handle new features). The values currently used are shown in [Table 3.4](#).

Value	Meaning
<i>none</i>	Original version of the PDU
EXT	Extended version of the PDU

Table 3.4: Fourth component (“version”) values



The fifth and final component ("how") indicates how the PDU fits into a procedure. The values currently used are shown in [Table 3.5](#).

Value	Meaning
IND	An indication that doesn't expect a reply
REQ	A request that expects a response
RSP	A response to a request

Table 3.5: Fifth component ("how") values

Some examples of this convention in use, showing how the PDU name breaks up into the five components, are given in [Table 3.6](#). A blank cell indicates that the component is omitted.

PDU name	Components				
	where	when	what	version	how
ADV_IND		ADV			IND
ADV_DIRECT_IND		ADV	DIRECT		IND
ADV_EXT_IND		ADV		EXT	IND
AUX_ADV_IND	AUX	ADV			IND
AUX_CHAIN_IND	AUX	CHAIN			IND
SCAN_REQ		SCAN			REQ
AUX_SYNC_IND	AUX	SYNC			IND
LL_PHY_UPDATE_IND		LL	PHY_UPDATE		IND
LL_LENGTH_REQ		LL	LENGTH		REQ
LL_LENGTH_RSP		LL	LENGTH		RSP
LL_REJECT_IND		LL	REJECT		IND
LL_REJECT_EXT_IND		LL	REJECT	EXT	IND
BIG_CHANNEL_MAP_IND		BIG	CHANNEL_MAP		IND

Table 3.6: Examples

Thus AUX_SYNC_IND is a PDU used for synchronous advertising on the secondary advertising physical channel that does not expect a response.

Architecture, Mixing, and Conventions
Part F

**CONTROLLER ERROR
CODES**



CONTENTS

1	Overview of error codes	373
1.1	Usage descriptions	373
1.2	[This section is no longer used]	373
1.3	List of error codes	373
2	Error code descriptions	376
2.1	Unknown HCI command (0x01).....	376
2.2	Unknown Connection Identifier (0x02)	376
2.3	Hardware Failure (0x03).....	376
2.4	Page Timeout (0x04)	376
2.5	Authentication Failure (0x05).....	376
2.6	PIN or Key Missing (0x06).....	376
2.7	Memory Capacity Exceeded (0x07).....	376
2.8	Connection Timeout (0x08)	377
2.9	Connection Limit Exceeded (0x09).....	377
2.10	Synchronous Connection Limit to a Device Exceeded (0x0A)	377
2.11	Connection Already Exists (0x0B)	377
2.12	Command Disallowed (0x0C).....	377
2.13	Connection Rejected due to Limited Resources (0x0D).....	377
2.14	Connection Rejected due to Security Reasons (0x0E).....	377
2.15	Connection Rejected due to Unacceptable BD_ADDR (0x0F)	378
2.16	Connection Accept Timeout Exceeded (0x10).....	378
2.17	Unsupported Feature or Parameter Value (0x11).....	378
2.18	Invalid HCI Command Parameters (0x12).....	378
2.19	Remote User Terminated Connection (0x13)	378
2.20	Remote Device Terminated Connection due to Low Resources (0x14)	379
2.21	Remote Device Terminated Connection due to Power Off (0x15) . 379	
2.22	Connection Terminated by Local Host (0x16).....	379
2.23	Repeated Attempts (0x17).....	379
2.24	Pairing not Allowed (0x18).....	379
2.25	Unknown LMP PDU (0x19).....	379
2.26	Unsupported Remote Feature (0x1A)	379
2.27	SCO Offset Rejected (0x1B).....	380
2.28	SCO Interval Rejected (0x1C)	380
2.29	SCO Air Mode Rejected (0x1D).....	380
2.30	Invalid LMP Parameters / Invalid LL Parameters (0x1E).....	380
2.31	Unspecified Error (0x1F)	380
2.32	Unsupported LMP Parameter Value / Unsupported LL Parameter Value (0x20).....	380



2.33 Role Change not Allowed (0x21) 381

2.34 LMP Response Timeout / LL Response Timeout (0x22) 381

2.35 LMP Error Transaction Collision /
LL Procedure Collision (0x23) 381

2.36 LMP PDU not Allowed (0x24) 381

2.37 Encryption Mode not Acceptable (0x25)..... 381

2.38 Link Key cannot be Changed (0x26) 381

2.39 Requested QoS not Supported (0x27) 381

2.40 Instant Passed (0x28)..... 381

2.41 Pairing with Unit Key not Supported (0x29)..... 382

2.42 Different Transaction Collision (0x2A) 382

2.43 QoS Unacceptable Parameter (0x2C)..... 382

2.44 QoS Rejected (0x2D) 382

2.45 Channel Assessment Not Supported (0x2E) 382

2.46 Insufficient Security (0x2F) 382

2.47 Parameter Out of Mandatory Range (0x30) 382

2.48 Role Switch Pending (0x32) 382

2.49 Reserved Slot Violation (0x34) 383

2.50 Role Switch Failed (0x35)..... 383

2.51 Extended Inquiry Response too Large (0x36) 383

2.52 Secure Simple Pairing not Supported by Host (0x37) 383

2.53 Host Busy–Pairing (0x38)..... 383

2.54 Connection Rejected due to no Suitable Channel Found (0x39)...
383

2.55 Controller Busy (0x3A) 383

2.56 Unacceptable Connection Parameters (0x3B) 384

2.57 Advertising Timeout (0x3C) 384

2.58 Connection Terminated due to MIC Failure (0x3D) 384

2.59 Connection Failed to be Established / Synchronization Timeout
(0x3E)..... 384

2.60 [This section is no longer used] 384

2.61 Coarse Clock Adjustment Rejected but Will Try to Adjust Using
Clock Dragging (0x40)..... 384

2.62 Type0 Submap not Defined (0x41)..... 384

2.63 Unknown Advertising Identifier (0x42) 385

2.64 Limit Reached (0x43) 385

2.65 Operation Cancelled by Host (0x44) 385

2.66 Packet Too Long (0x45)..... 385

2.67 Too Late (0x46)..... 385

2.68 Too Early (0x47) 385



1 OVERVIEW OF ERROR CODES

This document lists the various possible error codes. When a command fails, or an LMP or LL message needs to indicate a failure, error codes are used to indicate the reason for the error. Error codes have a size of one octet.

1.1 USAGE DESCRIPTIONS

The purpose of this section is to give descriptions of how the error codes should be used. It is beyond the scope of this document to give detailed descriptions of all situations where error codes can be used, especially as this is implementation dependent.

1.2 [THIS SECTION IS NO LONGER USED]

1.3 LIST OF ERROR CODES

The error code of 0x00 means Success. The possible range of failure error codes is 0x01 to 0xFF. [Section 2](#) provides an error code usage description for each failure error code.

Values marked as “Reserved for future use” or not listed in [Table 1.1](#) can be used in future versions of the specification. A Host shall consider any error code that it does not explicitly understand equivalent to the error code *Unspecified Error* (0x1F).

Error Code	Name
0x00	Success
0x01	Unknown HCI Command
0x02	Unknown Connection Identifier
0x03	Hardware Failure
0x04	Page Timeout
0x05	Authentication Failure
0x06	PIN or Key Missing
0x07	Memory Capacity Exceeded
0x08	Connection Timeout
0x09	Connection Limit Exceeded
0x0A	Synchronous Connection Limit To A Device Exceeded
0x0B	Connection Already Exists
0x0C	Command Disallowed

Table 1.1: List of possible error codes (Sheet 1 of 3)



Error Code	Name
0x0D	Connection Rejected due to Limited Resources
0x0E	Connection Rejected Due To Security Reasons
0x0F	Connection Rejected due to Unacceptable BD_ADDR
0x10	Connection Accept Timeout Exceeded
0x11	Unsupported Feature or Parameter Value
0x12	Invalid HCI Command Parameters
0x13	Remote User Terminated Connection
0x14	Remote Device Terminated Connection due to Low Resources
0x15	Remote Device Terminated Connection due to Power Off
0x16	Connection Terminated By Local Host
0x17	Repeated Attempts
0x18	Pairing Not Allowed
0x19	Unknown LMP PDU
0x1A	Unsupported Remote Feature
0x1B	SCO Offset Rejected
0x1C	SCO Interval Rejected
0x1D	SCO Air Mode Rejected
0x1E	Invalid LMP Parameters / Invalid LL Parameters
0x1F	Unspecified Error
0x20	Unsupported LMP Parameter Value / Unsupported LL Parameter Value
0x21	Role Change Not Allowed
0x22	LMP Response Timeout / LL Response Timeout
0x23	LMP Error Transaction Collision / LL Procedure Collision
0x24	LMP PDU Not Allowed
0x25	Encryption Mode Not Acceptable
0x26	Link Key cannot be Changed
0x27	Requested QoS Not Supported
0x28	Instant Passed
0x29	Pairing With Unit Key Not Supported
0x2A	Different Transaction Collision
0x2B	Reserved for future use
0x2C	QoS Unacceptable Parameter

Table 1.1: List of possible error codes (Sheet 2 of 3)



Error Code	Name
0x2D	QoS Rejected
0x2E	Channel Classification Not Supported
0x2F	Insufficient Security
0x30	Parameter Out Of Mandatory Range
0x31	Reserved for future use
0x32	Role Switch Pending
0x33	Reserved for future use
0x34	Reserved Slot Violation
0x35	Role Switch Failed
0x36	Extended Inquiry Response Too Large
0x37	Secure Simple Pairing Not Supported By Host
0x38	Host Busy - Pairing
0x39	Connection Rejected due to No Suitable Channel Found
0x3A	Controller Busy
0x3B	Unacceptable Connection Parameters
0x3C	Advertising Timeout
0x3D	Connection Terminated due to MIC Failure
0x3E	Connection Failed to be Established / Synchronization Timeout
0x3F	<i>Previously used</i>
0x40	Coarse Clock Adjustment Rejected but Will Try to Adjust Using Clock Dragging
0x41	Type0 Submap Not Defined
0x42	Unknown Advertising Identifier
0x43	Limit Reached
0x44	Operation Cancelled by Host
0x45	Packet Too Long
0x46	Too Late
0x47	Too Early

Table 1.1: List of possible error codes (Sheet 3 of 3)



2 ERROR CODE DESCRIPTIONS

2.1 UNKNOWN HCI COMMAND (0x01)

The Unknown HCI Command error code indicates that the Controller does not understand the HCI Command packet opcode that the Host sent. The opcode given might not correspond to any of the opcodes specified in this document, or any vendor-specific opcodes, or the command may have not been implemented.

2.2 UNKNOWN CONNECTION IDENTIFIER (0x02)

The Unknown Connection Identifier error code indicates that a command was sent from the Host that should identify a connection, but that connection does not exist or does not identify the correct type of connection.

2.3 HARDWARE FAILURE (0x03)

The Hardware Failure error code indicates to the Host that something in the Controller has failed in a manner that cannot be described with any other error code. The meaning implied with this error code is implementation dependent.

2.4 PAGE TIMEOUT (0x04)

The Page Timeout error code indicates that a page timed out because of the Page Timeout configuration parameter. This error code may occur only with the HCI_Remote_Name_Request and HCI_Create_Connection commands.

2.5 AUTHENTICATION FAILURE (0x05)

The Authentication Failure error code indicates that pairing or authentication failed due to incorrect results in the pairing or authentication procedure. This could be due to an incorrect PIN or Link Key.

2.6 PIN OR KEY MISSING (0x06)

The PIN or Key Missing error code is used when pairing failed because of a missing PIN, or authentication failed because of a missing Key.

2.7 MEMORY CAPACITY EXCEEDED (0x07)

The Memory Capacity Exceeded error code indicates to the Host that the Controller has run out of memory to store new parameters.



2.8 CONNECTION TIMEOUT (0x08)

The Connection Timeout error code indicates that either the link supervision timeout has expired for a given connection or that the synchronization timeout has expired for a given broadcast.

2.9 CONNECTION LIMIT EXCEEDED (0x09)

The Connection Limit Exceeded error code indicates that an attempt to create another connection failed because the Controller is already at its limit of the number of connections it can support. The number of connections a device can support is implementation dependent.

2.10 SYNCHRONOUS CONNECTION LIMIT TO A DEVICE EXCEEDED (0x0A)

The Synchronous Connection Limit to a Device Exceeded error code indicates that the Controller has reached the limit to the number of synchronous connections that can be achieved to a device. The number of synchronous connections a device can support is implementation dependent.

2.11 CONNECTION ALREADY EXISTS (0x0B)

The Connection Already Exists error code indicates that an attempt was made to create a new Connection to a device when there is already a connection to this device and multiple connections to the same device are not permitted.

2.12 COMMAND DISALLOWED (0x0C)

The Command Disallowed error code indicates that the command requested cannot be executed because the Controller is in a state where it cannot process this command at this time. This error shall not be used for command opcodes where the error code Unknown HCI Command is valid.

2.13 CONNECTION REJECTED DUE TO LIMITED RESOURCES (0x0D)

The Connection Rejected Due To Limited Resources error code indicates that a connection was rejected due to limited resources.

2.14 CONNECTION REJECTED DUE TO SECURITY REASONS (0x0E)

The Connection Rejected Due To Security Reasons error code indicates that a connection was rejected due to security requirements not being fulfilled, like authentication or pairing.



2.15 CONNECTION REJECTED DUE TO UNACCEPTABLE BD_ADDR (0x0F)

The Connection Rejected due to Unacceptable BD_ADDR error code indicates that a connection was rejected because this device does not accept the BD_ADDR. This may be because the device will only accept connections from specific BD_ADDRs.

2.16 CONNECTION ACCEPT TIMEOUT EXCEEDED (0x10)

The Connection Accept Timeout Exceeded error code indicates that the Connection Accept Timeout has been exceeded for this connection attempt.

2.17 UNSUPPORTED FEATURE OR PARAMETER VALUE (0x11)

The Unsupported Feature Or Parameter Value error code indicates that a feature or parameter value in the HCI command is not supported. This error code shall not be used in an LMP PDU.

2.18 INVALID HCI COMMAND PARAMETERS (0x12)

The Invalid HCI Command Parameters error code indicates that at least one of the HCI command parameters is invalid.

This shall be used when:

- the parameter total length is invalid.
- a command parameter is an invalid type.
- a connection identifier does not match the corresponding event.
- a parameter is odd when it is required to be even.
- a parameter is outside of the specified range.
- two or more parameter values have inconsistent values.

Note: An invalid type can be, for example, when a SCO Connection_Handle is used where an ACL Connection_Handle is required.

2.19 REMOTE USER TERMINATED CONNECTION (0x13)

The Remote User Terminated Connection error code indicates that the user on the remote device either terminated the connection or stopped broadcasting packets.



2.20 REMOTE DEVICE TERMINATED CONNECTION DUE TO LOW RESOURCES (0x14)

The Remote Device Terminated Connection due to Low Resources error code indicates that the remote device terminated the connection because of low resources.

2.21 REMOTE DEVICE TERMINATED CONNECTION DUE TO POWER OFF (0x15)

The Remote Device Terminated Connection due to Power Off error code indicates that the remote device terminated the connection because the device is about to power off.

2.22 CONNECTION TERMINATED BY LOCAL HOST (0x16)

The Connection Terminated By Local Host error code indicates that either the local device terminated the connection, terminated synchronization with a broadcaster, or terminated broadcasting packets.

2.23 REPEATED ATTEMPTS (0x17)

The Repeated Attempts error code indicates that the Controller is disallowing an authentication or pairing procedure because too little time has elapsed since the last authentication or pairing attempt failed.

2.24 PAIRING NOT ALLOWED (0x18)

The Pairing Not Allowed error code indicates that the device does not allow pairing. For example, when a device only allows pairing during a certain time window after some user input allows pairing.

2.25 UNKNOWN LMP PDU (0x19)

The Unknown LMP PDU error code indicates that the Controller has received an unknown LMP opcode.

2.26 UNSUPPORTED REMOTE FEATURE (0x1A)

The Unsupported Remote Feature error code indicates that the remote device does not support the feature associated with the issued command, LMP PDU, or Link Layer Control PDU.



2.27 SCO OFFSET REJECTED (0x1B)

The SCO Offset Rejected error code indicates that the offset requested in the LMP_SCO_LINK_REQ PDU has been rejected.

2.28 SCO INTERVAL REJECTED (0x1C)

The SCO Interval Rejected error code indicates that the interval requested in the LMP_SCO_LINK_REQ PDU has been rejected.

2.29 SCO AIR MODE REJECTED (0x1D)

The SCO Air Mode Rejected error code indicates that the air mode requested in the LMP_SCO_LINK_REQ PDU has been rejected.

2.30 INVALID LMP PARAMETERS / INVALID LL PARAMETERS (0x1E)

The Invalid LMP Parameters / Invalid LL Parameters error code indicates that some LMP PDU / LL Control PDU parameters were invalid. This shall be used when:

- the PDU length is invalid.
- a parameter is odd when it is required to be even.
- a parameter is outside of the specified range.
- two or more parameters have inconsistent values.

2.31 UNSPECIFIED ERROR (0x1F)

The Unspecified Error error code indicates that no other error code specified is appropriate to use.

2.32 UNSUPPORTED LMP PARAMETER VALUE / UNSUPPORTED LL PARAMETER VALUE (0x20)

The Unsupported LMP Parameter Value / Unsupported LL Parameter Value error code indicates that an LMP PDU or an LL Control PDU contains at least one parameter value that is not supported by the Controller at this time. This is normally used after a long negotiation procedure, for example during an LMP_HOLD_REQ, LMP_SNIFF_REQ and LMP_ENCRYPTION_KEY_SIZE_REQ PDU exchanges. This may be used by the Link Layer, for example during the Connection Parameters Request Link Layer Control procedure.



2.33 ROLE CHANGE NOT ALLOWED (0x21)

The Role Change Not Allowed error code indicates that a Controller will not allow a role change at this time.

2.34 LMP RESPONSE TIMEOUT / LL RESPONSE TIMEOUT (0x22)

The LMP Response Timeout / LL Response Timeout error code indicates that an LMP transaction failed to respond within the LMP response timeout or an LL transaction failed to respond within the LL response timeout.

2.35 LMP ERROR TRANSACTION COLLISION / LL PROCEDURE COLLISION (0x23)

The LMP Error Transaction Collision / LL Procedure Collision error code indicates that an LMP transaction or LL procedure has collided with the same transaction or procedure that is already in progress.

2.36 LMP PDU NOT ALLOWED (0x24)

The LMP PDU Not Allowed error code indicates that a Controller sent an LMP PDU with an opcode that was not allowed.

2.37 ENCRYPTION MODE NOT ACCEPTABLE (0x25)

The Encryption Mode Not Acceptable error code indicates that the requested encryption mode is not acceptable at this time.

2.38 LINK KEY CANNOT BE CHANGED (0x26)

The Link Key cannot be Changed error code indicates that a link key cannot be changed because a fixed unit key is being used.

2.39 REQUESTED QoS NOT SUPPORTED (0x27)

The Requested QoS Not Supported error code indicates that the requested Quality of Service is not supported.

2.40 INSTANT PASSED (0x28)

The Instant Passed error code indicates that an LMP PDU or LL PDU that includes an instant cannot be performed because the instant when this would have occurred has passed.



2.41 PAIRING WITH UNIT KEY NOT SUPPORTED (0x29)

The Pairing With Unit Key Not Supported error code indicates that it was not possible to pair as a unit key was requested and it is not supported.

2.42 DIFFERENT TRANSACTION COLLISION (0x2A)

The Different Transaction Collision error code indicates that an LMP transaction or LL Procedure was started that collides with an ongoing transaction.

2.43 QoS UNACCEPTABLE PARAMETER (0x2C)

The QoS Unacceptable Parameter error code indicates that the specified quality of service parameters could not be accepted at this time, but other parameters may be acceptable.

2.44 QoS REJECTED (0x2D)

The QoS Rejected error code indicates that the specified quality of service parameters cannot be accepted and QoS negotiation should be terminated.

2.45 CHANNEL ASSESSMENT NOT SUPPORTED (0x2E)

The Channel Assessment Not Supported error code indicates that the Controller cannot perform channel assessment because it is not supported.

2.46 INSUFFICIENT SECURITY (0x2F)

The Insufficient Security error code indicates that the HCI command or LMP PDU sent is only possible on an encrypted link.

2.47 PARAMETER OUT OF MANDATORY RANGE (0x30)

The Parameter Out Of Mandatory Range error code indicates that a parameter value requested is outside the mandatory range of parameters for the given HCI command or LMP PDU and the recipient does not accept that value.

2.48 ROLE SWITCH PENDING (0x32)

The Role Switch Pending error code indicates that a Role Switch is pending. This can be used when an HCI command or LMP PDU cannot be accepted because of a pending role switch. This can also be used to notify a peer device about a pending role switch.



2.49 RESERVED SLOT VIOLATION (0x34)

The Reserved Slot Violation error code indicates that the current Synchronous negotiation was terminated with the negotiation state set to Reserved Slot Violation.

2.50 ROLE SWITCH FAILED (0x35)

The Role Switch Failed error code indicates that a role switch was attempted but it failed and the original piconet structure is restored. The switch may have failed because the TDD switch or piconet switch failed.

2.51 EXTENDED INQUIRY RESPONSE TOO LARGE (0x36)

The Extended Inquiry Response Too Large error code indicates that the extended inquiry response, with the requested requirements for FEC, is too large to fit in any of the packet types supported by the Controller.

2.52 SECURE SIMPLE PAIRING NOT SUPPORTED BY HOST (0x37)

The Secure Simple Pairing Not Supported by Host error code indicates that the IO capabilities request or response was rejected because the sending Host does not support Secure Simple Pairing even though the receiving Link Manager does.

2.53 HOST BUSY–PAIRING (0x38)

The Host Busy - Pairing error code indicates that the Host is busy with another pairing operation and unable to support the requested pairing. The receiving device should retry pairing again later.

2.54 CONNECTION REJECTED DUE TO NO SUITABLE CHANNEL FOUND (0x39)

The Connection Rejected due to No Suitable Channel Found error code indicates that the Controller could not calculate an appropriate value for the Channel selection operation.

2.55 CONTROLLER BUSY (0x3A)

The Controller Busy error code indicates that the operation was rejected because the Controller was busy and unable to process the request.



2.56 UNACCEPTABLE CONNECTION PARAMETERS (0x3B)

The Unacceptable Connection Parameters error code indicates that the remote device either terminated the connection or rejected a request because of one or more unacceptable connection parameters.

2.57 ADVERTISING TIMEOUT (0x3C)¹

The Advertising Timeout error code indicates that advertising for a fixed duration completed or, for directed advertising, that advertising completed without a connection being created.

2.58 CONNECTION TERMINATED DUE TO MIC FAILURE (0x3D)

The Connection Terminated Due to MIC Failure error code indicates that either the connection or the synchronization was terminated because the Message Integrity Check (MIC) failed on a received packet.

2.59 CONNECTION FAILED TO BE ESTABLISHED / SYNCHRONIZATION TIMEOUT (0x3E)

The Connection Failed to be Established / Synchronization Timeout error code indicates that the LL initiated a connection or initiated synchronization to periodic advertising but the connection has failed to be established or the Link Layer failed to synchronize with the periodic advertising within 6 periodic advertising events of the first attempt.

2.60 [THIS SECTION IS NO LONGER USED]

2.61 COARSE CLOCK ADJUSTMENT REJECTED BUT WILL TRY TO ADJUST USING CLOCK DRAGGING (0x40)

The Coarse Clock Adjustment Rejected but Will Try to Adjust Using Clock Dragging error code indicates that the Central, at this time, is unable to make a coarse adjustment to the piconet clock, using the supplied parameters. Instead the Central will attempt to move the clock using clock dragging.

2.62 TYPE0 SUBMAP NOT DEFINED (0x41)

The Type0 Submap Not Defined error code indicates that the LMP PDU is rejected because the Type 0 submap is not currently defined.

1. Formerly called Directed Advertising Timeout



2.63 UNKNOWN ADVERTISING IDENTIFIER (0x42)

The Unknown Advertising Identifier error code indicates that a command was sent from the Host that should identify an Advertising or Sync handle, but the Advertising or Sync handle does not exist.

2.64 LIMIT REACHED (0x43)

The Limit Reached error code indicates that number of operations requested has been reached and has indicated the completion of the activity (e.g., advertising or scanning).

2.65 OPERATION CANCELLED BY HOST (0x44)

The Operation Cancelled by Host error code indicates a request to the Controller issued by the Host and still pending was successfully canceled.

2.66 PACKET TOO LONG (0x45)

The Packet Too Long error code indicates that an attempt was made to send or receive a packet that exceeds the maximum allowed packet length.

2.67 TOO LATE (0x46)

The Too Late error code indicates that information was provided too late to the Controller.

2.68 TOO EARLY (0x47)

The Too Early error code indicates that information was provided too early to the Controller.



BR/EDR Controller

Specification of the *Bluetooth*® System

Volume 2

Covered Core Package Version: **5.4**

Version Date: **2023-01-31**

BR/EDR Controller
Part A

RADIO SPECIFICATION



CONTENTS

1	Scope	390
2	Frequency bands and channel arrangement	392
3	Transmitter characteristics	393
3.1	Basic Rate	394
3.1.1	Modulation characteristics	394
3.1.2	Spurious emissions.....	395
3.1.2.1	In-band spurious emission	395
3.1.3	Radio frequency tolerance	396
3.2	Enhanced Data Rate	396
3.2.1	Modulation characteristics	397
3.2.1.1	Modulation method overview.....	397
3.2.1.2	Differential phase encoding.....	397
3.2.1.3	Pulse shaping.....	398
3.2.1.4	Modulation accuracy	399
3.2.2	Spurious emissions.....	400
3.2.2.1	In-band spurious emission	400
3.2.3	Radio frequency tolerance	401
3.2.4	Relative transmit power	402
4	Receiver characteristics	403
4.1	Basic Rate	403
4.1.1	Actual sensitivity level.....	403
4.1.2	Interference performance.....	403
4.1.3	Out-of-band blocking.....	404
4.1.4	Intermodulation characteristics	404
4.1.5	Maximum usable level	405
4.1.6	Received Signal Strength Indication.....	405
4.1.7	Reference signal definition.....	405
4.2	Enhanced Data Rate	405
4.2.1	Actual sensitivity level.....	405
4.2.2	BER floor performance	405
4.2.3	Interference performance.....	406
4.2.4	Maximum usable level	407
4.2.5	Out-of-band and intermodulation characteristics	407
4.2.6	Reference signal definition.....	407
Appendix A	Test conditions	408
A.1	Nominal test conditions	408

Radio Specification



A.1.1 Nominal temperature 408

A.1.2 Nominal power source 408

A.2 [This section is no longer used] 408

Appendix B [This Appendix is no longer used] 409

Appendix C Modulation accuracy definition 410

C.1 Enhanced Data Rate modulation accuracy 410

C.1.1 RMS DEVM 412

C.1.2 Peak DEVM 413



1 SCOPE

Bluetooth devices operate in the unlicensed 2.4 GHz ISM (Industrial Scientific Medical) band. A frequency hop transceiver is applied to combat interference and fading.

Two modulation modes are defined. A mandatory mode, called Basic Rate, uses a shaped, binary FM modulation to minimize transceiver complexity. An optional mode, called Enhanced Data Rate, uses PSK modulation and has two variants: $\pi/4$ -DQPSK and 8DPSK. The symbol rate for all modulation modes is 1 Msym/s. The gross air data rate is 1 Mb/s for Basic Rate, 2 Mb/s for Enhanced Data Rate using $\pi/4$ -DQPSK and 3 Mb/s for Enhanced Data Rate using 8DPSK.

A Time Division Duplex (TDD) scheme is used in both modes. The specification defines the requirements for a Bluetooth radio for the Basic Rate and Enhanced Data Rate modes.

Requirements are defined for two reasons:

- Provide compatibility between radios used in the system
- Define the quality of the system

The Bluetooth radio shall fulfil the stated requirements under the operating conditions specified in [Appendix A](#). The radio parameters shall be measured according to the methods described in the RF Test Specification.

The specification is based on the established regulations for Europe, Japan and North America. The standard documents listed below are only for information, and are subject to change or revision at any time.

The Bluetooth SIG maintains regulatory content associated with Bluetooth technology in the 2.4 GHz ISM band on its web site, at <https://www.bluetooth.com/regulatory-requirements/>.

Europe:

Approval Standards: European Telecommunications Standards Institute, ETSI
Documents: EN 300 328, EN 300 440, EN 301 489-17
Approval Authority: National Type Approval Authorities

Japan:

Approval Standards: Association of Radio Industries and Businesses, ARIB
Documents: ARIB STD-T66
Approval Authority: Ministry of Post and Telecommunications, MPT.



North America:

Approval Standards: Federal Communications Commission, FCC, USA
Documents: CFR47, Part 15, Sections 15.205, 15.209, 15.247 and 15.249

Approval Standards: Industry Canada, IC, Canada
Documents: RSS-139 and RSS-210

Approval Authority: FCC (USA), Industry Canada (Canada)



2 FREQUENCY BANDS AND CHANNEL ARRANGEMENT

The Bluetooth system operates in the 2.4 GHz ISM band. This frequency band is 2400 MHz to 2483.5 MHz.

Regulatory Range	RF Channels
2.400 GHz to 2.4835 GHz	$f=2402+k$ MHz, $k=0,\dots,78$

Table 2.1: Operating frequency bands

RF channels are spaced 1 MHz and are ordered in channel number k as shown in [Table 2.1](#).



3 TRANSMITTER CHARACTERISTICS

The requirements stated in this section are given as power levels at the antenna connector of the Bluetooth device; this is also referred to as the radiative transmit power level of the device. If the device does not have a connector, a reference antenna with 0 dBi gain is assumed. Power level values used in HCI commands, HCI events, and Link Manager Protocol (LMP) PDUs shall be assumed to be the radiative transmit power level of the device unless specified otherwise.

Due to difficulty in measurement accuracy in radiated measurements, systems with an integral antenna should provide a temporary antenna connector during RF qualification testing.

If transmitting antennas of directional gain greater than 0 dBi are used, the power level delivered to the antenna shall be compensated to comply with the applicable paragraphs in relevant regulatory standards: EN 300 328, EN 301 489-17 and FCC part 15.

Bluetooth devices are classified into three power classes based on their output power capabilities level at the maximum power setting (P_{max}) the device supports, as defined in [Table 3.1](#).

Power Class	Requirements
1	$100 \text{ mW (20 dBm)} \geq P_{max} > 2.5 \text{ mW (4 dBm)}$
2	$2.5 \text{ mW (4 dBm)} \geq P_{max} > 1 \text{ mW (0 dBm)}$
3	$1 \text{ mW (0 dBm)} \geq P_{max}$

Table 3.1: Power classes

A power class 1 device shall support received power control requests. Power control may be used to limit the transmitted power of a remote device to no more than +4 dBm. Support of received power control requests is optional for class 2 and class 3 devices but may be used to optimize the power consumption and reduce the overall interference level for all devices that use the same spectrum that Bluetooth devices use. The power steps shall form a monotonic sequence, with a maximum step size of 8 dB and a minimum step size of 2 dB. The power level at the lowest power step should be less than -30 dBm.

A class 1 device shall support handling of power control requests and shall be able to adjust its transmit power down to 4 dBm or less. A device that supports changing its transmit power controls the output power in a physical link in response to LMP commands received from a peer device that is capable of sending such requests (see [\[Vol 2\] Part C](#)).



In a connection, the output power shall not exceed the maximum output power of power class 2 for transmitting packets if the receiving device does not support the necessary messaging for sending the power control messages, see [Vol 2] Part C, Section 4.1.3. In this case, the transmitting device shall comply with the rules of a class 2 or class 3 device.

Using high transmit power in use cases where short ranges could be encountered can cause the receiver on the remote device to be saturated and result in link failure. Power control requests can be used to adjust a connected remote device's transmit power level based on the receiver's signal level.

If a class 1 device is paging or inquiring very close to another device, the input power can be larger than the requirement in Section 4.1.5. This can cause the receiving device to fail to respond. It may therefore be useful to page at class 2 or 3 power in addition to paging at power class 1.

The transmit power level difference between the packet headers of all supported packet types at any given power step shall not exceed 10 dB.

When communicating with a device that does not support enhanced power control, an enhanced power control device shall have an equal number of steps for each supported modulation scheme so that all supported modulation modes shall reach their respective maximum (or minimum) levels at the same time. The power levels may vary per modulation mode.

Devices shall not exceed the maximum allowed transmit power levels set by the regulatory bodies that have jurisdiction over the locales in which the device is to be sold or intended to operate. Implementers should be aware that the maximum transmit power level permitted under a given set of regulations might not be the same for all modulation modes.

3.1 BASIC RATE

3.1.1 Modulation characteristics

The Modulation is GFSK (Gaussian Frequency Shift Keying) with a bandwidth-bit period product $BT=0.5$. The Modulation index shall be between 0.28 and 0.35. A binary one shall be represented by a positive frequency deviation, and a binary zero shall be represented by a negative frequency deviation. The symbol timing shall be less than ± 20 ppm.

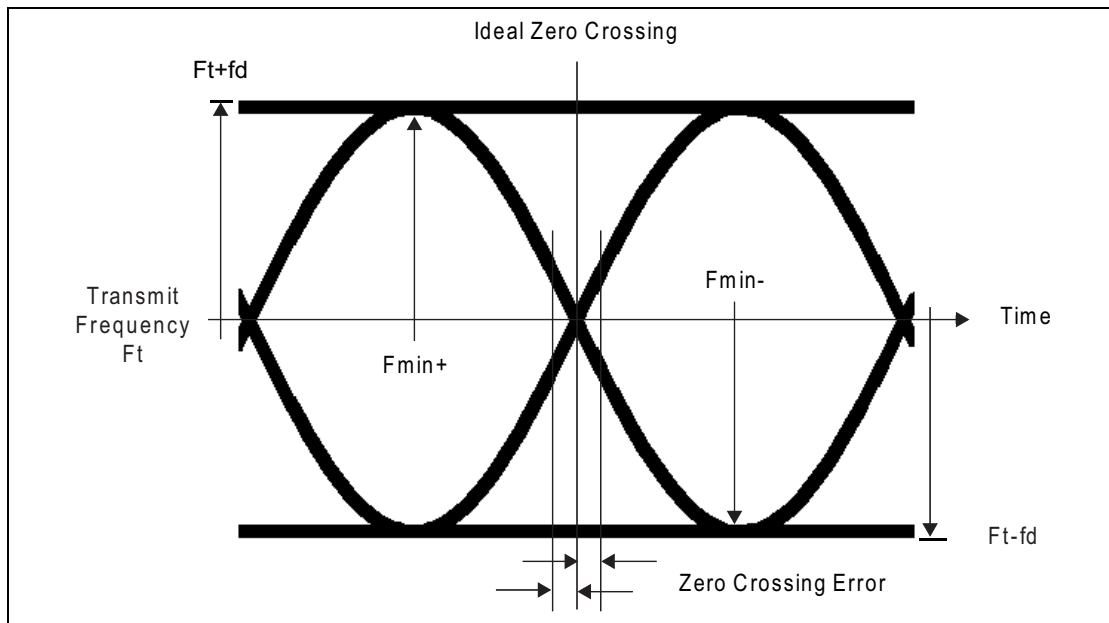


Figure 3.1: GFSK parameters definition

For each transmission, the minimum frequency deviation, $F_{min} = \min\{|F_{min+}|, F_{min-}\}$, which corresponds to 1010 sequence shall be no smaller than $\pm 80\%$ of the frequency deviation (f_d) with respect to the transmit frequency F_t , which corresponds to a 00001111 sequence.

In addition, the minimum frequency deviation shall never be smaller than 115 kHz. The data transmitted has a symbol rate of 1 Msym/s.

The zero crossing error is the time difference between the ideal symbol period and the measured crossing time. This shall be less than $\pm 1/8$ of a symbol period.

See [Figure 3.1](#) for the definitions of some symbols and terms in these requirements.

3.1.2 Spurious emissions

In-band spurious emissions shall be measured with a frequency hopping radio transmitting on one RF channel and receiving on a second RF channel; this means that the synthesizer may change RF channels between reception and transmission, but always returns to the same transmit RF channel. The equipment manufacturer is responsible for compliance in the intended country of use.

3.1.2.1 In-band spurious emission

Within the ISM band the transmitter shall pass a spectrum mask, given in [Table 3.2](#). The spectrum shall comply with the 20 dB bandwidth definition in FCC part 15.247 and shall be measured accordingly. In addition to the FCC requirement an adjacent channel power on adjacent channels with a difference



in RF channel number of two or greater is defined. This adjacent channel power is defined as the sum of the measured power in a 1 MHz bandwidth. The transmitted power shall be measured in a 100 kHz bandwidth using maximum hold. The device shall transmit on RF channel M and the adjacent channel power shall be measured on RF channel number N. The transmitter shall transmit a pseudo random data pattern in the payload throughout the test.

Frequency offset	Transmit Power
± 500 kHz	-20 dBc
2 MHz ($ M-N = 2$)	-20 dBm
3 MHz or greater ($ M-N \geq 3$)	-40 dBm

Table 3.2: Transmit Spectrum mask

Note: If the output power is less than 0 dBm then, wherever appropriate, the FCC's 20 dB relative requirement overrules the absolute adjacent channel power requirement stated in Table 3.2.

Exceptions are allowed in up to three bands of 1 MHz width centered on a frequency which is an integer multiple of 1 MHz. They shall comply with an absolute value of -20 dBm.

3.1.3 Radio frequency tolerance

The transmitted initial center frequency shall be within ±75 kHz from F_c . The initial frequency accuracy is defined as being the frequency accuracy before any packet information is transmitted.

The frequency drift requirement is not included in the ±75 kHz.

The limits on the transmitter center frequency drift within a packet are specified in Table 3.3. The different packets are defined in the Baseband Specification.

Duration of Packet	Frequency Drift
Max length one slot packet	±25 kHz
Max length three slot packet	±40 kHz
Max length five slot packet	±40 kHz
Maximum drift rate ¹	400 Hz/μs

Table 3.3: Maximum allowable frequency drifts in a packet

1. The maximum drift rate is allowed anywhere in a packet.

3.2 ENHANCED DATA RATE

A key characteristic of the Enhanced Data Rate mode is that the modulation mode is changed within the packet. The access code and packet header, as defined in [Vol 2] Part B, Table 6.1, are transmitted with the Basic Rate 1 Mb/s



GFSK modulation mode, whereas the subsequent synchronization sequence, payload, and trailer sequence are transmitted using the Enhanced Data Rate PSK modulation mode.

3.2.1 Modulation characteristics

During access code and packet header transmission the Basic Rate GFSK modulation mode shall be used. During the transmission of the synchronization sequence, payload, and trailer sequence a PSK type of modulation with a data rate of 2 Mb/s or optionally 3 Mb/s shall be used. The following subsections specify the PSK modulation for this transmission.

3.2.1.1 Modulation method overview

The PSK modulation format defined for the 2 Mb/s transmission shall be $\pi/4$ rotated differential encoded quaternary phase shift keying ($\pi/4$ -DQPSK).

The PSK modulation format defined for the 3 Mb/s transmission shall be differential encoded 8-ary phase shift keying (8DPSK).

The modulation shall employ square-root raised cosine pulse shaping to generate the equivalent lowpass information-bearing signal $v(t)$. The output of the transmitter shall be a bandpass signal that can be represented as

$$S(t) = \text{Re} \left[v(t) e^{j2\pi F_c t} \right] \quad (\text{EQ 1})$$

with F_c denoting the carrier frequency.

3.2.1.2 Differential phase encoding

For the M-ary modulation, the binary data stream $\{b_n\}$, $n=1,2,3, \dots, N$, shall be mapped onto a corresponding sequence $\{S_k\}$, $k=1,2, \dots, N/\log_2(M)$ of complex valued signal points. $M=4$ applies for 2 Mb/s and $M=8$ applies for 3 Mb/s. Gray coding shall be applied as shown in [Table 3.4](#) and [Table 3.5](#). In the event that the length of the binary data stream N is not an integer multiple of $\log_2(M)$, the last symbol of the sequence $\{S_k\}$ shall be formed by appending data zeros to the appropriate length. The signal points S_k shall be defined by:

$$S_k = S_{k-1} e^{j\phi_k} \quad k = 1, 2, \dots, N/\log_2(M) \quad (\text{EQ 2})$$

$$S_0 = e^{j\phi} \quad \text{with } \phi \in [0, 2\pi) \quad (\text{EQ 3})$$



The relationship between the binary input b_k and the phase ϕ_k shall be as defined in Table 3.4 for the 2 Mb/s transmission and in Table 3.5 for the 3 Mb/s transmission.

b_{2k-1}	b_{2k}	Φ_k
0	0	$\pi/4$
0	1	$3\pi/4$
1	1	$-3\pi/4$
1	0	$-\pi/4$

Table 3.4: $\pi/4$ -DQPSK mapping

b_{3k-2}	b_{3k-1}	b_{3k}	Φ_k
0	0	0	0
0	0	1	$\pi/4$
0	1	1	$\pi/2$
0	1	0	$3\pi/4$
1	1	0	π
1	1	1	$-3\pi/4$
1	0	1	$-\pi/2$
1	0	0	$-\pi/4$

Table 3.5: 8DPSK mapping

3.2.1.3 Pulse shaping

The lowpass equivalent information-bearing signal $v(t)$ shall be generated according to

$$v(t) = \sum_k S_k p(t - kT) \tag{EQ 4}$$

in which the symbol period T shall be $1 \mu\text{s}$.



The frequency spectrum $P(f)$, which corresponds to the square-root raised cosine pulse $p(t)$ of the pulse shaping filter is:

$$|P(f)| = \begin{cases} 1 & 0 \leq |f| \leq \frac{1-\beta}{2T} \\ \sqrt{\frac{1}{2} \left(1 - \sin \left(\frac{\pi(2|f|T-1)}{2\beta} \right) \right)} & \frac{1-\beta}{2T} \leq |f| \leq \frac{1+\beta}{2T} \\ 0 & \text{elsewhere} \end{cases} \quad (\text{EQ 5})$$

The roll off factor β shall be 0.4.

3.2.1.4 Modulation accuracy

The measurement of modulation accuracy utilizes differential error vector magnitude (DEVM) with tracking of the carrier frequency drift. The definition of DEVM and the derivation of the RMS and peak measures of DEVM are given in [Appendix C](#).

The DEVM shall be measured over the synchronization sequence and payload portions of the packet, but not the trailer symbols. For each modulation method and each measurement carrier frequency, the DEVM measurement is made over a total of 200 non-overlapping blocks, where each block contains 50 symbols.

The transmitted packets shall be the longest supported packet type for each modulation method, as defined in [\[Vol 2\] Part B, Table 6.8](#) and [\[Vol 2\] Part B, Table 6.9](#).

The DEVM is measured using a square-root raised cosine filter, with a roll-off of 0.4 and a 3 dB bandwidth of ± 500 kHz.

3.2.1.4.1 RMS DEVM

The RMS DEVM for any of the measured blocks shall not exceed 0.20 for $\pi/4$ -DQPSK and 0.13 for 8DPSK.

3.2.1.4.2 99% DEVM

The 99% DEVM (defined as the DEVM value for which 99% of measured symbols have a lower DEVM) shall not exceed 0.30 for $\pi/4$ -DQPSK and 0.20 for 8DPSK.

3.2.1.4.3 Peak DEVM

The Peak DEVM shall not exceed 0.35 for $\pi/4$ -DQPSK and 0.25 for 8DPSK.



3.2.2 Spurious emissions

In-band spurious emissions shall be measured with a frequency hopping radio transmitting on one RF channel and receiving on a second RF channel; this means that the synthesizer may change RF channels between reception and transmission, but always returns to the same transmit RF channel. The equipment manufacturer is responsible for compliance in the intended country of use.

3.2.2.1 In-band spurious emission

Within the ISM band the power spectral density of the transmitter shall comply with the following requirements when sending pseudo random data. All power measurements shall use a 100 kHz bandwidth with maximum hold. The power measurements between 1 MHz and 1.5 MHz from the carrier shall be at least 26 dB below the maximum power measurement up to 500 kHz from the carrier. The adjacent channel power for channels at least 2 MHz from the carrier is defined as the sum of the power measurements over a 1 MHz channel and shall not exceed -20 dBm for the second adjacent channels and -40 dBm for the third and subsequent adjacent channels. These requirements shall apply to the transmitted signal from the start of the guard time to the end of the power down ramp. The spectral mask is illustrated in [Figure 3.2](#).

Exceptions are allowed in up to 3 bands of 1 MHz width centered on a frequency which is an integer multiple of 1 MHz. They shall comply with an absolute value of -20 dBm.

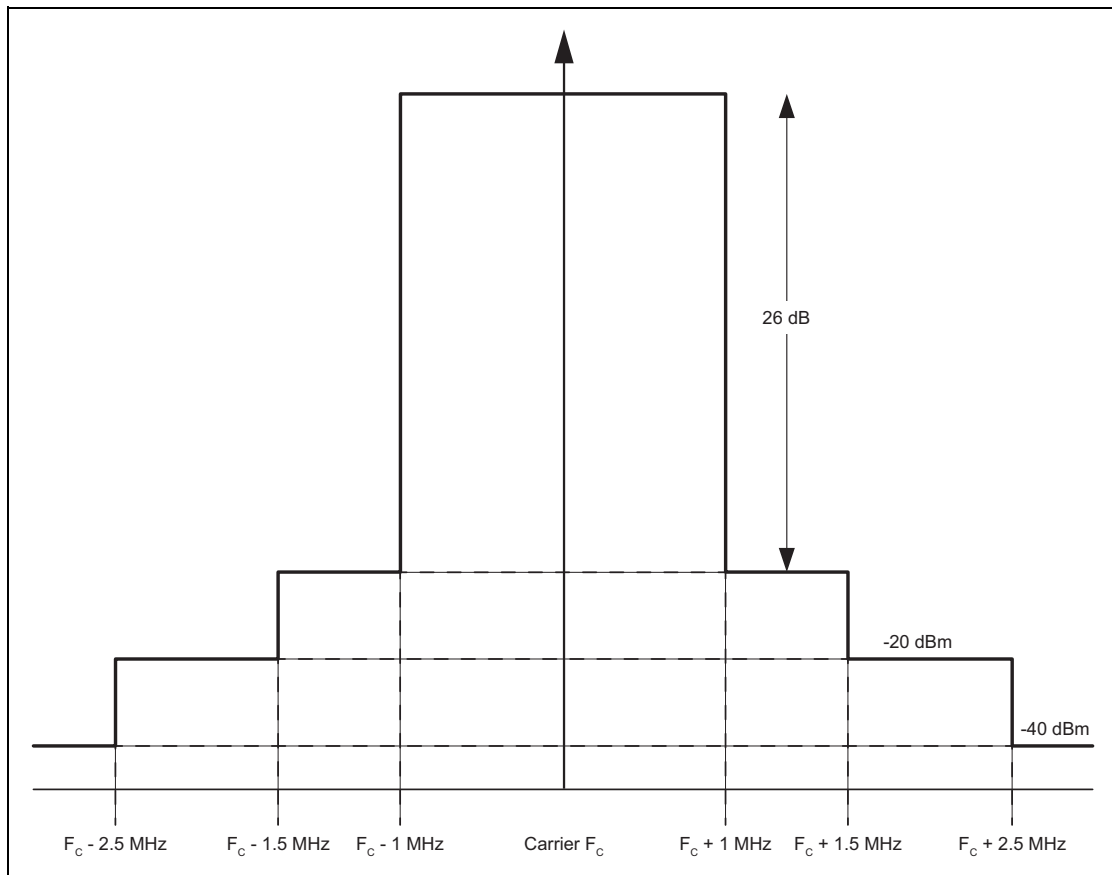


Figure 3.2: Transmitter spectrum mask

3.2.3 Radio frequency tolerance

The same carrier frequencies F_c as used for Basic Rate transmissions shall be used for the Enhanced Data Rate transmissions. The transmitted initial center frequency accuracy shall be within ± 75 kHz from F_c . The maximum excursion from F_c (frequency offset plus drift) shall not exceed ± 75 kHz.

The initial frequency accuracy is defined as being the frequency accuracy before any information is transmitted.

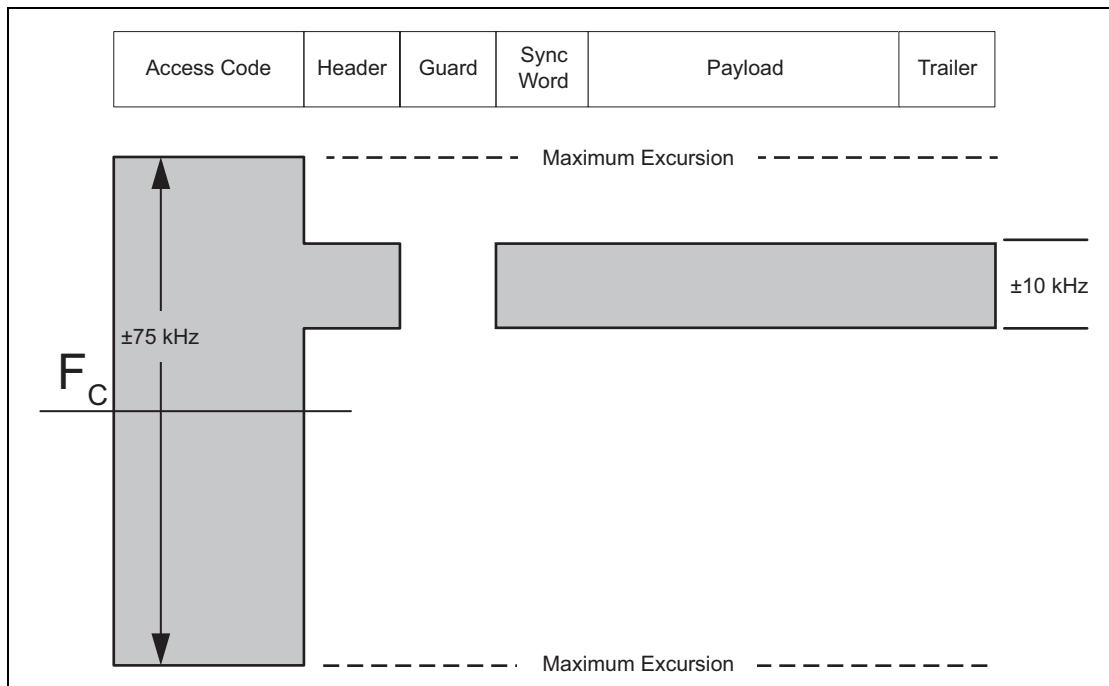


Figure 3.3: Carrier frequency mask

The requirements on accuracy and stability are illustrated by [Figure 3.3](#) for the Enhanced Data Rate packet format defined in Definition: Baseband Specification . The higher frequency accuracy requirement shall start at the first symbol of the header. The maximum drift over the header, synchronization sequence and payload shall be ± 10 kHz.

3.2.4 Relative transmit power

The requirement on the relative power of the GFSK and DPSK portions of the Enhanced Data Rate packet is defined as follows. The average power level during the transmission of access code and header is denoted as P_{GFSK} and the average power level during the transmission of the synchronization sequence and the payload is denoted as P_{DPSK} . The following inequalities shall be satisfied independently for each Enhanced Data Rate packet transmitted:

$$(P_{GFSK} - 4 \text{ dB}) < P_{DPSK} < (P_{GFSK} + 1 \text{ dB})$$



4 RECEIVER CHARACTERISTICS

The receiver characteristics shall be measured using loopback as defined in [Vol 3] Part D, Section 1.

The reference sensitivity level referred to in this section is -70 dBm.

4.1 BASIC RATE

4.1.1 Actual sensitivity level

The actual sensitivity level is defined as the input level for which a raw bit error rate (BER) of 0.1% is met. The receiver sensitivity shall be below or equal to -70 dBm with any Bluetooth transmitter compliant to the transmitter specification specified in Section 3.

4.1.2 Interference performance

The interference performance on Co-channel and adjacent 1 MHz and 2 MHz shall be measured with the wanted signal 10 dB over the reference sensitivity level. For interference performance on all other RF channels the wanted signal shall be 3 dB over the reference sensitivity level. If the frequency of an interfering signal is outside of the band 2400 MHz to 2483.5 MHz, the out-of-band blocking specification (see Section 4.1.3) shall apply. The interfering signal shall be Bluetooth-modulated (see Section 4.1.7). The BER shall be ≤0.1% for all the signal-to-interference ratios listed in Table 4.1:

Frequency of Interference	Ratio
Co-Channel interference, $C/I_{\text{co-channel}}$	11 dB
Adjacent (1 MHz) interference ¹ , $C/I_{1 \text{ MHz}}$	0 dB
Adjacent (2 MHz) interference ¹ , $C/I_{2 \text{ MHz}}$	-30 dB
Adjacent (≥ 3 MHz) interference ¹ , $C/I_{\geq 3 \text{ MHz}}$	-40 dB
Image frequency Interference ^{1 2 3} , C/I_{Image}	-9 dB
Adjacent (1 MHz) interference to in-band image frequency ¹ , $C/I_{\text{Image}\pm 1\text{MHz}}$	-20 dB

Table 4.1: Interference performance

1. If two adjacent channel specifications from Table 4.1 are applicable to the same channel, the more relaxed specification applies.
2. In-band image frequency
3. If the image frequency $\neq n*1$ MHz, then the image reference frequency is defined as the closest $n*1$ MHz frequency for integer n.



These specifications are only to be tested at nominal temperature conditions with a device receiving on one RF channel and transmitting on a second RF channel; this means that the synthesizer may change RF channels between reception and transmission, but always returns to the same receive RF channel.

RF channels where the requirements are not met are called spurious response RF channels. Five spurious response RF channels are allowed at RF channels with a distance of ≥ 2 MHz from the wanted signal. On these spurious response RF channels a relaxed interference requirement $C/I = -17$ dB shall be met.

4.1.3 Out-of-band blocking

The out-of-band suppression (or rejection) shall be measured with the wanted signal 3 dB over the reference sensitivity level. The interfering signal shall be a continuous wave signal. The BER shall be $\leq 0.1\%$. The out-of-band blocking shall fulfil the following requirements:

Interfering Signal Frequency	Interfering Signal Power Level
30 MHz to 2000 MHz	-10 dBm
2000 MHz to 2399 MHz	-27 dBm
2484 MHz to 3000 MHz	-27 dBm
3000 MHz to 12.75 GHz	-10 dBm

Table 4.2: Out-of-band suppression (or rejection) requirements

24 exceptions are permitted which are dependent upon the given RF channel and are centered at a frequency which is an integer multiple of 1 MHz. For at least 19 of these spurious response frequencies, a reduced interference level of at least -50 dBm is allowed in order to achieve the required BER = 0.1% performance, whereas for a maximum of 5 of the spurious frequencies the interference level may be assumed arbitrarily lower.

4.1.4 Intermodulation characteristics

The reference sensitivity performance, BER = 0.1%, shall be met under the following conditions:

- The wanted signal shall be at frequency f_0 with a power level 6 dB over the reference sensitivity level.
- A static sine wave signal shall be at a frequency f_1 with a power level of -39 dBm.
- A Bluetooth modulated signal (see [Section 4.1.7](#)) shall be at f_2 with a power level of -39 dBm.



Frequencies f_0 , f_1 and f_2 shall be chosen such that $f_0=2f_1-f_2$ and $|f_2-f_1|=n*1$ MHz, where n can be 3, 4, or 5. The system shall fulfill at least one of the three alternatives ($n=3, 4, \text{ or } 5$).

4.1.5 Maximum usable level

The maximum usable input level that the receiver operates at shall be greater than -20 dBm. The BER shall be less than or equal to 0.1% at -20 dBm input power.

4.1.6 Received Signal Strength Indication

If a device supports Received Signal Strength Indication (RSSI) the accuracy shall be ± 6 dB. If the device is aware that the RSSI varies across frequencies, then it should update the RSSI value of a packet depending on the frequency that the packet was received on before using the value, e.g., before reporting it to the Host.

4.1.7 Reference signal definition

A Bluetooth modulated interfering signal shall be defined as:

Modulation = GFSK

Modulation index = $0.32 \pm 1\%$

BT = $0.5 \pm 1\%$

Bit Rate = 1 Mb/s ± 1 ppm

Modulating Data for wanted signal = PRBS9

Modulating Data for interfering signal = PRBS15

Frequency accuracy better than ± 1 ppm.

4.2 ENHANCED DATA RATE

4.2.1 Actual sensitivity level

The actual sensitivity level shall be defined as the input level for which a raw bit error rate (BER) of 0.01% is met. The requirement for a Bluetooth $\pi/4$ -DQPSK and 8DPSK Enhanced Data Rate receiver shall be an actual sensitivity level of -70 dBm or better. The receiver shall achieve the -70 dBm sensitivity level with any Bluetooth transmitter compliant to the Enhanced Data Rate transmitter specification as defined in [Section 3.2](#).

4.2.2 BER floor performance

The receiver shall achieve a BER less than 0.001% at 10 dB above the reference sensitivity level.



4.2.3 Interference performance

The interference performance for co-channel and adjacent 1 MHz and 2 MHz channels shall be measured with the wanted signal 10 dB above the reference sensitivity level. On all other frequencies the wanted signal shall be 3 dB above the reference sensitivity level. The requirements in this section shall only apply if the frequency of the interferer is inside of the band 2400 MHz to 2483.5 MHz.

The interfering signal for co-channel interference shall be similarly modulated as the desired signal. The interfering signal for other channels shall be equivalent to a nominal Bluetooth Basic Rate GFSK transmitter. The interfering signal shall carry random data.

A BER of 0.1% or better shall be achieved for the signal to interference ratios defined in [Table 4.3](#).

Frequency of Interference	$\pi/4$ -DQPSK Ratio	8DPSK Ratio
Co-Channel interference, $C/I_{\text{co-channel}}$	13 dB	21 dB
Adjacent (1 MHz) interference ¹ , $C/I_{1 \text{ MHz}}$	0 dB	5 dB
Adjacent (2 MHz) interference ¹ , $C/I_{2 \text{ MHz}}$	-30 dB	-25 dB
Adjacent (≥ 3 MHz) interference ¹	-40 dB	-33 dB
Image frequency interference ^{1,2,3} , C/I_{Image}	-7 dB	0 dB
Adjacent (1 MHz) interference to in-band image frequency ^{1,2,3} , $C/I_{\text{Image} \pm 1 \text{ MHz}}$	-20 dB	-13 dB

Table 4.3: Interference performance

1. If two adjacent channel specifications from [Table 4.3](#) are applicable to the same channel, the more relaxed specification applies.
2. In-band image frequency.
3. If the image frequency is not equal to $n \cdot 1$ MHz, then the image reference frequency is defined as the closest $n \cdot 1$ MHz frequency for integer n .

These specifications are only to be tested at nominal temperature conditions with a receiver hopping on one frequency; this means that the synthesizer may change frequency between receive slot and transmit slot, but always returns to the same receive frequency.

Frequencies where the requirements are not met are called spurious response frequencies. Five spurious response frequencies are allowed at frequencies with a distance of ≥ 2 MHz from the wanted signal. On these spurious response frequencies a relaxed interference requirement $C/I = -15$ dB for $\pi/4$ -DQPSK and $C/I = -10$ dB for 8DPSK shall be met.



4.2.4 Maximum usable level

The maximum usable input level that the receiver operates at shall be greater than -20 dBm. The BER shall be less than or equal to 0.1% at -20 dBm input power.

4.2.5 Out-of-band and intermodulation characteristics

The Basic Rate out-of-band blocking and intermodulation requirements also apply to Enhanced Data Rate since they result in adequate performance. No additional requirements apply to Enhanced Data Rate.

4.2.6 Reference signal definition

A 2 Mb/s Bluetooth signal used as "wanted" or "interfering signal" is defined as:

Modulation = $\pi/4$ -DQPSK

Symbol Rate = 1 Msym/s \pm 1 ppm

Frequency accuracy better than ± 1 ppm

Modulating Data for wanted signal = PRBS9

Modulating Data for interfering signal = PRBS15

RMS Differential Error Vector Magnitude < 5%

Average power over the GFSK and DPSK portions of the packet shall be equal to within ± 1 dB

A 3 Mb/s Bluetooth signal used as "wanted" or "interfering signal" is defined as:

Modulation = 8DPSK

Symbol Rate = 1 Msym/s \pm 1 ppm

Frequency accuracy better than ± 1 ppm

Modulating Data for wanted signal = PRBS9

Modulating Data for interfering signal = PRBS15

RMS Differential Error Vector Magnitude < 5%

Average power over the GFSK and DPSK portions of the packet shall be equal to within ± 1 dB



APPENDIX A TEST CONDITIONS

A.1 NOMINAL TEST CONDITIONS

A.1.1 Nominal temperature

The nominal temperature conditions for tests shall be +15 to +35 °C. When it is impractical to carry out the test under this condition a note to this effect, stating the ambient temperature, shall be recorded. The actual value during the test shall be recorded in the test report.

A.1.2 Nominal power source

The normal test voltage for the equipment shall be the nominal voltage for which the equipment was designed.

A.2 [THIS SECTION IS NO LONGER USED]



APPENDIX B [THIS APPENDIX IS NO LONGER USED]

APPENDIX C MODULATION ACCURACY DEFINITION

C.1 ENHANCED DATA RATE MODULATION ACCURACY

The Enhanced Data Rate modulation accuracy is defined by the differential error vector, being the difference between the vectors representing consecutive symbols of the transmitted signal, after passing the signal through a specified measurement filter, sampling it at the symbol rate with an optimum sampling phase and compensating it for carrier frequency error and for the ideal carrier phase changes. The magnitude of the normalized differential error vector is called the Differential Error Vector Magnitude (DEVM). The objective of the DEVM is to estimate the modulation errors that would be perceived by a differential receiver.

In an ideal transmitter, the input bit sequence $\{b_i\}$ is mapped onto a complex valued symbol sequence $\{S_k\}$. Subsequently, this symbol sequence is transformed into a baseband signal $S(t)$ by means of a pulse-shaping filter.

In an actual transmitter implementation, the bit sequence $\{b_i\}$ generates a baseband equivalent transmitted signal $Y(t)$. This signal $Y(t)$ contains, besides the desired component $S(t)$, multiple distortion components. This is illustrated in Figure C.1 (in Figure C.1 and Figure C.2 a circle with an X indicates a mixer).

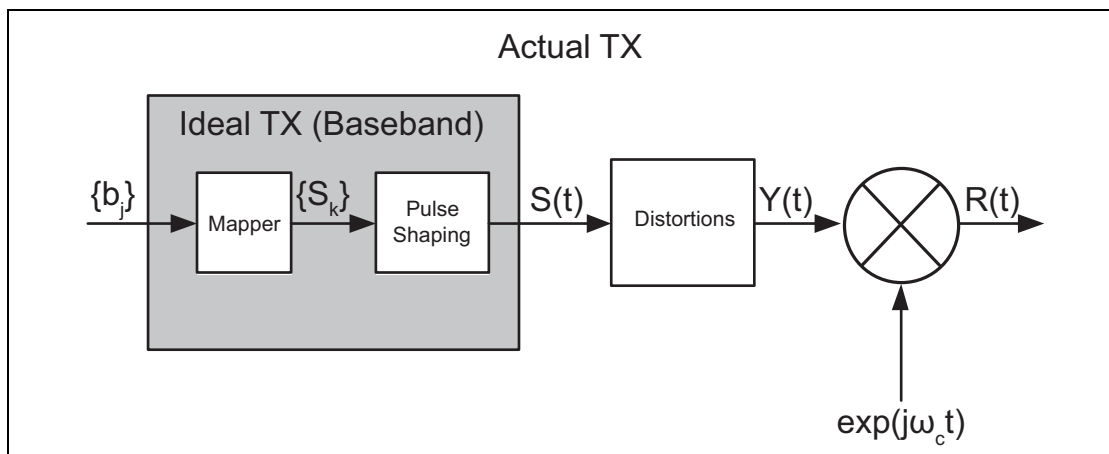


Figure C.1: TX model

Let $Z(t)$ be the output of the measurement filter after first compensating the received signal for the initial center frequency error, ω_i , of the received packet, i.e. the output after down conversion and filtering the transmit signal $R(t)$ (see Figure C.2). The measurement filter is defined by a square-root raised cosine shaping filter with a roll-off factor equal to 0.4 and 3 dB bandwidth of ± 500 kHz.



Let $\{Z_k(\varepsilon)\}$ be the sequence of samples obtained by sampling the signal $Z(t)$ with a sampling period equal to the symbol period T and a sampling phase equal to ε such that $Z_k(\varepsilon) = Z((k+\varepsilon)T)$.

This sequence $\{Z_k(\varepsilon)\}$ would coincide with the symbol sequence $\{S_k\}$ if no distortion is present and the correct timing phase ε is chosen.

To reflect the behavior of a typical differential receiver, the sample sequence $\{Z_k(\varepsilon)\}$ should be compensated for carrier frequency drift. Therefore, the sequence $\{Z_k(\varepsilon)\}$ is multiplied by a factor W^{-k} in which $W = e^{j\omega T}$ accounts for the frequency offset ω . A constant value of ω is used for each DEVM block of $N = 50$ symbols, but ω may vary between DEVM blocks (the values of ω can be used to measure carrier frequency drift).

In addition, $\{Z_k(\varepsilon)\}$ is compensated for the ideal phase changes between symbols by multiplying it with the complex conjugate of the symbol sequence $\{S_k\}$. However, it is not necessary to compensate $\{Z_k(\varepsilon)\}$ for initial carrier phase or output power of the transmitter.

Let $\{Q_k(\varepsilon, \omega)\}$ denote the compensated sequence $\{Z_k(\varepsilon)\}$, where the ideal phase changes have been removed and ε and ω are chosen optimally to minimize the DEVM, (i.e. remove time and frequency uncertainty). For a transmitter with no distortions other than a constant frequency error, $\{Q_k(\varepsilon, \omega)\}$ is a complex constant that depends on the initial carrier phase and the output power of the transmitter.

The differential error sequence $\{E_k(\varepsilon, \omega)\}$ is defined as the difference between $\{Q_k(\varepsilon, \omega)\}$ and $\{Q_{k-1}(\varepsilon, \omega)\}$. This reflects the modulation errors that would be perceived by a differential receiver. For a transmitter with no distortions other than a constant frequency error, $\{E_k(\varepsilon, \omega)\}$ is zero.



The definitions of the DEVM measures are based upon this differential error sequence $\{E_k(\epsilon, \omega)\}$. The generation of the error sequence is depicted in Figure C.2 (the circle with the + indicates a direct summation function; the input with the "-" is negated before being summed).

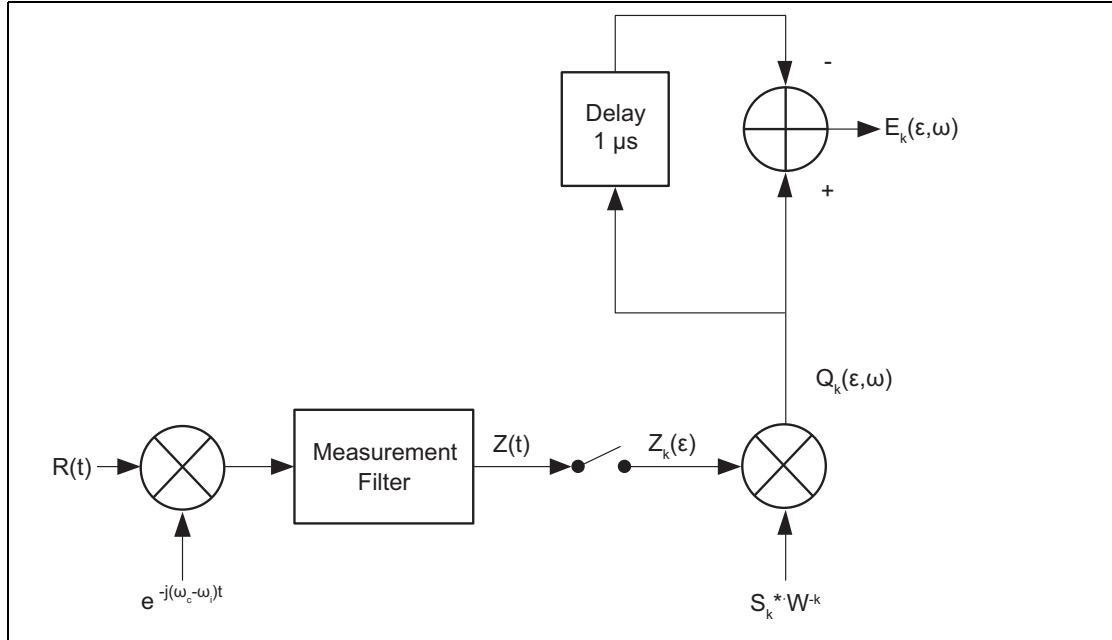


Figure C.2: Error sequence generation

C.1.1 RMS DEVM

The root mean squared DEVM (RMS DEVM) computed over $N = 50$ symbols is defined as:

$$RMS\ DEVM = \min_{\epsilon, \omega} \left\{ \sqrt{\frac{\sum_{k=1}^N |E_k(\epsilon, \omega)|^2}{\sum_{k=1}^N |Q_k(\epsilon, \omega)|^2}} \right\} \quad (EQ\ 6)$$

As can be seen from the expression above, the RMS DEVM is the square-root of the normalized power of the error.



C.1.2 Peak DEVM

The DEVM at symbol k is defined as:

$$DEVM(k) = \sqrt{\frac{|E_k(\epsilon_0, \omega_0)|^2}{\sum_{j=1}^N |Q_j(\epsilon_0, \omega_0)|^2 / N}} \quad (\text{EQ 7})$$

where ϵ_0 and ω_0 are the values for ϵ and ω used to calculate the RMS DEVM.

The peak DEVM is defined as:

$$Peak\ DEVM = \max_k \{DEVM(k)\} \quad (\text{EQ 8})$$

BR/EDR Controller
Part B

**BASEBAND
SPECIFICATION**

This Part describes the specification of the Bluetooth Link Controller which carries out the Baseband protocols and other low-level link routines.



CONTENTS

1	General description	422
1.1	Bluetooth clock	423
1.2	Bluetooth Device addressing	424
1.2.1	Reserved addresses	425
1.3	Access codes	425
2	Physical channels.....	427
2.1	Physical channel definition	428
2.2	Basic piconet physical channel.....	428
2.2.1	Central and Peripheral roles	428
2.2.2	Hopping characteristics.....	429
2.2.3	Time slots.....	429
2.2.4	Piconet clocks.....	429
2.2.5	Transmit/receive timing.....	430
2.2.5.1	Piconet physical channel timing	431
2.2.5.2	Piconet physical channel re-synchronization.....	433
2.3	Adapted piconet physical channel	434
2.3.1	Hopping characteristics.....	434
2.4	Page scan physical channel	434
2.4.1	Clock estimate for paging	435
2.4.2	Hopping characteristics.....	435
2.4.3	Paging procedure timing.....	435
2.4.4	Page response timing	436
2.5	Inquiry scan physical channel.....	438
2.5.1	Clock for inquiry	438
2.5.2	Hopping characteristics.....	438
2.5.3	Inquiry procedure timing	439
2.5.4	Inquiry response timing.....	439
2.6	Hop selection	440
2.6.1	General selection scheme	441
2.6.2	Selection kernel	444
2.6.2.1	First addition operation	444
2.6.2.2	XOR operation.....	445
2.6.2.3	Permutation operation	445
2.6.2.4	Second addition operation.....	446
2.6.2.5	Register bank	446
2.6.3	Adapted hop selection kernel.....	447
2.6.3.1	Channel re-mapping function	447
2.6.4	Control word.....	448



2.6.4.1	Page scan and inquiry scan hopping sequences	450
2.6.4.2	Page hopping sequence.....	450
2.6.4.3	Peripheral page response hopping sequence....	451
2.6.4.4	Central page response hopping sequence...	451
2.6.4.5	Inquiry hopping sequence	452
2.6.4.6	Inquiry response hopping sequence	452
2.6.4.7	Basic and adapted channel hopping sequence..	452
2.6.4.8	Synchronization train RF channels.....	453
2.7	Synchronization scan physical channel.....	453
2.7.1	Hopping characteristics.....	453
2.7.2	Synchronization Train procedure timing.....	453
2.7.3	Synchronization Scan procedure timing	454
3	Physical links	456
3.1	Link supervision for active physical links	456
3.2	Link supervision for Connectionless Peripheral Broadcast physical links	457
3.3	Authenticated payload timeout for active links	457
4	Logical transports	458
4.1	General.....	458
4.2	Logical transport address (LT_ADDR).....	458
4.3	Synchronous logical transports	459
4.4	Asynchronous logical transport	459
4.5	Transmit/receive routines	460
4.5.1	TX routine	460
4.5.1.1	ACL traffic.....	461
4.5.1.2	SCO traffic.....	462
4.5.1.3	Mixed data/voice traffic.....	462
4.5.1.4	eSCO traffic.....	463
4.5.1.5	Default packet types	463
4.5.2	RX routine	463
4.5.3	Flow control.....	464
4.5.3.1	Destination control.....	464
4.5.3.2	Source control	465
4.6	Active Peripheral broadcast transport	465
4.7	[This section is no longer used]	465
4.8	Connectionless Peripheral Broadcast logical transport	465
5	Logical links	467
5.1	Link Control logical link (LC).....	467
5.2	ACL Control logical links (ACL-C and APB-C).....	467



- 5.3 User asynchronous/isochronous logical links (ACL-U and APB-U) 468
 - 5.3.1 Pausing the ACL-U logical link..... 468
- 5.4 User synchronous data logical link (SCO-S) 468
- 5.5 User extended synchronous data logical link (eSCO-S)..... 468
- 5.6 Logical link priorities 468
- 5.7 Profile broadcast data logical link 469
- 6 Packets 470**
 - 6.1 General format..... 470
 - 6.1.1 Basic Rate..... 470
 - 6.1.2 Enhanced Data Rate..... 470
 - 6.2 Bit ordering 471
 - 6.3 Access code 471
 - 6.3.1 Access code types 472
 - 6.3.2 Preamble..... 472
 - 6.3.3 Sync word 472
 - 6.3.3.1 Synchronization word definition..... 473
 - 6.3.3.2 Pseudo-random noise sequence generation 475
 - 6.3.4 Trailer 476
 - 6.4 Packet header 476
 - 6.4.1 LT_ADDR..... 476
 - 6.4.2 TYPE..... 477
 - 6.4.3 FLOW..... 477
 - 6.4.4 ARQN..... 477
 - 6.4.5 SEQN..... 478
 - 6.4.6 HEC 478
 - 6.5 Packet types 478
 - 6.5.1 Common packet types 481
 - 6.5.1.1 ID packet 481
 - 6.5.1.2 NULL packet..... 481
 - 6.5.1.3 POLL packet..... 481
 - 6.5.1.4 FHS packet..... 481
 - 6.5.1.5 DM1 packet 483
 - 6.5.2 SCO packets..... 483
 - 6.5.2.1 HV1 packet..... 483
 - 6.5.2.2 HV2 packet..... 484
 - 6.5.2.3 HV3 packet..... 484
 - 6.5.2.4 DV packet..... 484
 - 6.5.3 eSCO packets..... 484
 - 6.5.3.1 EV3 packet 485
 - 6.5.3.2 EV4 packet 485
 - 6.5.3.3 EV5 packet 485



6.5.3.4	2-EV3 packet.....	485
6.5.3.5	2-EV5 packet.....	485
6.5.3.6	3-EV3 packet.....	485
6.5.3.7	3-EV5 packet.....	486
6.5.4	ACL packets.....	486
6.5.4.1	DM1 packet	486
6.5.4.2	DH1 packet.....	486
6.5.4.3	DM3 packet	486
6.5.4.4	DH3 packet.....	487
6.5.4.5	DM5 packet	487
6.5.4.6	DH5 packet.....	487
6.5.4.7	AUX1 packet	487
6.5.4.8	2-DH1 packet	487
6.5.4.9	2-DH3 packet	488
6.5.4.10	2-DH5 packet	488
6.5.4.11	3-DH1 packet	488
6.5.4.12	3-DH3 packet	488
6.5.4.13	3-DH5 packet	488
6.6	Payload format	488
6.6.1	Synchronous data field	489
6.6.2	Asynchronous data field.....	490
6.7	Packet summary.....	494
7	Bit stream processing	496
7.1	Error checking	497
7.1.1	HEC generation	497
7.1.2	CRC generation	498
7.2	Data whitening.....	499
7.3	Error correction.....	500
7.4	FEC code: rate 1/3	501
7.5	FEC code: rate 2/3	501
7.6	ARQ scheme	502
7.6.1	Unnumbered ARQ.....	502
7.6.2	Retransmit filtering.....	506
7.6.2.1	Initialization of SEQN at start of new connection 507	
7.6.2.2	ACL and SCO retransmit filtering	507
7.6.2.3	eSCO retransmit filtering	508
7.6.2.4	FHS retransmit filtering.....	508
7.6.2.5	Extended inquiry response retransmit filtering ... 508	
7.6.2.6	Packets without CRC retransmit filtering	508
7.6.3	Flushing payloads.....	508
7.6.4	Multi-Peripheral considerations.....	509
7.6.5	Active Peripheral Broadcast packets	509



- 7.7 Erroneous synchronous data reporting 510
- 7.8 Message Integrity Check 511
- 8 Link Controller operation 512**
 - 8.1 Overview of states 512
 - 8.2 Standby state 513
 - 8.3 Connection establishment substates 513
 - 8.3.1 Page Scan substate 513
 - 8.3.2 Page substate 515
 - 8.3.3 Page response substates 517
 - 8.3.3.1 Peripheral Page Response substate 520
 - 8.3.3.2 Central Page Response substate 521
 - 8.4 Device discovery substates 522
 - 8.4.1 Inquiry Scan substate 523
 - 8.4.2 Inquiry substate 524
 - 8.4.3 Inquiry Response substate 525
 - 8.5 Connection state 528
 - 8.6 Active mode 529
 - 8.6.1 Polling in the Active mode 530
 - 8.6.2 SCO 530
 - 8.6.3 eSCO 532
 - 8.6.4 Broadcast scheme 534
 - 8.6.5 Role switch 535
 - 8.6.6 Scatternet 537
 - 8.6.6.1 Inter-piconet communications 537
 - 8.6.7 Hop sequence switching 538
 - 8.6.8 Channel classification and channel map selection 541
 - 8.6.9 Power management 543
 - 8.6.9.1 Packet handling 543
 - 8.6.9.2 Slot occupancy 543
 - 8.6.9.3 Recommendations for low-power operation . 543
 - 8.6.9.4 Enhanced Data Rate 543
 - 8.6.10 Piconet clock adjustment 544
 - 8.6.10.1 Coarse clock adjustment 544
 - 8.6.10.2 Coarse Clock Adjustment Recovery mode ... 546
 - 8.6.10.3 Clock Dragging 546
 - 8.6.11 Slot Availability Mask (SAM) 547
 - 8.6.11.1 SAM anchor point 550
 - 8.6.11.2 SAM scheduling 551
 - 8.7 Sniff mode 553
 - 8.7.1 Sniff Transition mode 555
 - 8.7.2 Sniff subrating 555



8.7.2.1	Sniff mode timeout.....	556
8.7.2.2	Sniff Subrating mode	556
8.8	Hold mode	557
8.9	[This section is no longer used]	557
8.10	Connectionless Peripheral Broadcast mode.....	557
8.10.1	Connectionless Peripheral Broadcast transmit operation . 558	
8.10.2	Connectionless Peripheral Broadcast receive operation .. 559	
8.10.3	AFH in Connectionless Peripheral Broadcast.....	559
8.11	Synchronization establishment substates	560
8.11.1	Synchronization Scan substate.....	560
8.11.2	Synchronization Train substate.....	560
9	Audio.....	563
9.1	LOG PCM codec	563
9.2	CVSD codec	563
9.3	Error handling	566
9.4	General audio requirements	566
9.4.1	Signal levels.....	566
9.4.2	CVSD audio quality.....	566
Appendix A	General audio recommendations	567
A.1	Maximum sound pressure	567
A.2	Other telephony network requirements	567
A.3	Audio levels for Bluetooth	567
A.4	Microphone path	568
A.5	Loudspeaker path	568
A.6	Bluetooth voice interface	568
A.7	Frequency mask	569
Appendix B	Timers	571
B.1	List of timers	571
B.1.1	inquiryTO	571
B.1.2	pageTO	571
B.1.3	extended_pageTO	571
B.1.4	pagerespTO	571
B.1.5	newconnectionTO	571
B.1.6	supervisionTO	572
B.1.7	CPB_supervisionTO	572
B.1.8	synchronization_trainTO	572



B.1.9 synchronization_scanTO 572
 B.1.10 authenticatedPayloadTO 573
 B.1.11 CLK_adj_dragTO 573

Appendix C Recommendations for AFH operation in Hold, Sniff, and Connectionless Peripheral Broadcast modes 574

C.1 Operation at the Central 574
 C.2 [This section is no longer used] 575
 C.3 AFH operation in Sniff mode 575
 C.4 AFH operation in Hold mode 575
 C.5 AFH operation in Connectionless Peripheral Broadcast 575

1 GENERAL DESCRIPTION

This part specifies the normal operation of a Bluetooth Baseband.

The Bluetooth system provides a point-to-point connection or a point-to-multipoint connection, see (a) and (b) in [Figure 1.1](#). In a point-to-point connection the physical channel is shared between two Bluetooth devices. In a point-to-multipoint connection, the physical channel is shared among several Bluetooth devices. Two or more devices sharing the same physical channel form a *piconet*. One Bluetooth device acts as the Central of the piconet, whereas the other device(s) act as Peripheral(s). Up to seven Peripherals can be active in the piconet. The channel access is controlled by the Central. An unlimited number of Peripherals can receive data on the physical channel carrying the Connectionless Peripheral Broadcast physical link.

Piconets that have common devices are called a *scatternet*, see (c) in [Figure 1.1](#). Each piconet only has a single Central, however, Peripherals can participate in different piconets on a time-division multiplex basis. In addition, a Central in one piconet can be a Peripheral in other piconets. Piconets shall not be frequency synchronized and each piconet has its own hopping sequence.

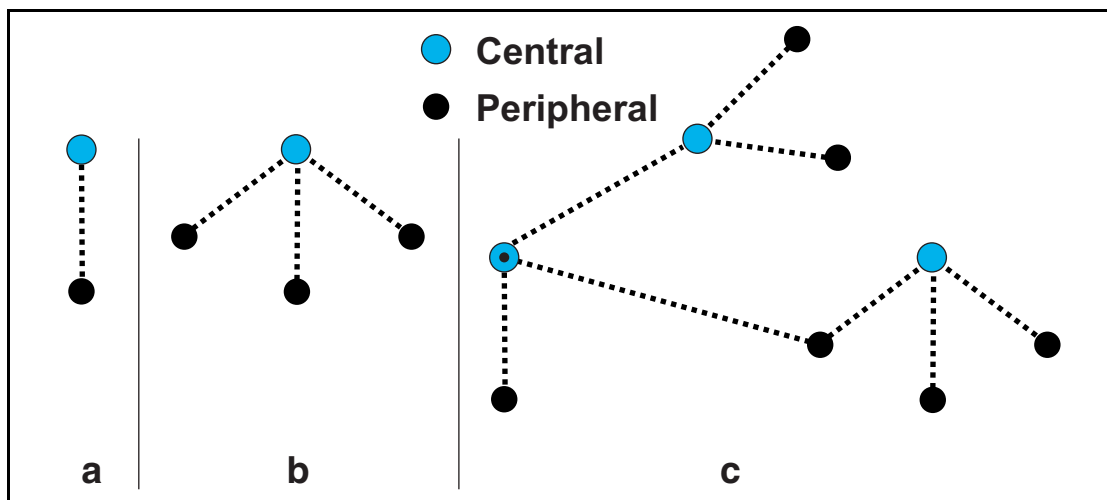


Figure 1.1: Piconets with a single Peripheral operation (a), a multi-Peripheral operation (b) and a scatternet operation (c)

Data is transmitted over the air in packets. Two modes are defined: a mandatory mode called Basic Rate and an optional mode called Enhanced Data Rate. The symbol rate for all modulation modes is 1 Msym/s. The gross air data rate is 1 Mb/s for Basic Rate. Enhanced Data Rate has a primary modulation mode that provides a gross air data rate of 2 Mb/s, and a secondary modulation mode that provides a gross air data rate of 3 Mb/s.

The general Basic Rate packet format is shown in [Figure 1.2](#). Each packet consists of 3 entities: the access code, the header, and the payload.

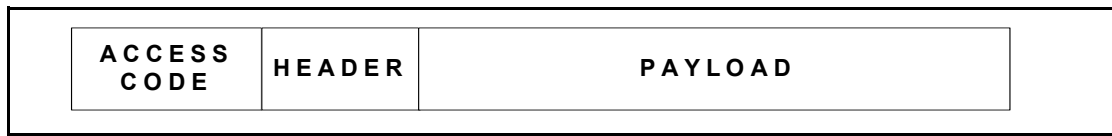


Figure 1.2: Standard Basic Rate packet format

The general Enhanced Data Rate packet format is shown in Figure 1.3. Each packet consists of 6 entities: the access code, the header, the guard period, the synchronization sequence, the Enhanced Data Rate payload and the trailer. The access code and header use the same modulation mode as for Basic Rate packets while the synchronization sequence, the Enhanced Data Rate payload and the trailer use the Enhanced Data Rate modulation mode. The guard time allows for the transition between the modulation modes.

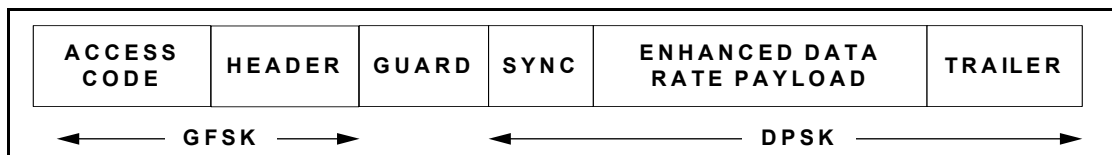


Figure 1.3: Standard Enhanced Data Rate packet format

1.1 BLUETOOTH CLOCK

Every Bluetooth device shall have a native clock that shall be derived from a free running reference clock. Offsets may be added to the reference clock to synchronize the native clock with other non-Bluetooth systems. For synchronization with other Bluetooth devices, offsets are used that, when added to the native clock, provide temporary Bluetooth clocks that are mutually synchronized. It should be noted that the Bluetooth clock has no relation to the time of day; it may therefore be initialized to any value. The clock has a cycle of about a day. If the clock is implemented with a counter, a 28-bit counter is required that shall wrap around at $2^{28}-1$. The least significant bit (LSB) shall tick in units of 312.5 μ s (i.e. half a time slot), giving a clock rate of 3.2 kHz.

The clock determines critical periods and triggers the events in the device. Four periods are important in the Bluetooth system: 312.5 μ s, 625 μ s, 1.25 ms, and 1.28 s; these periods correspond to the timer bits CLK₀, CLK₁, CLK₂, and CLK₁₂, respectively, see Figure 1.4.

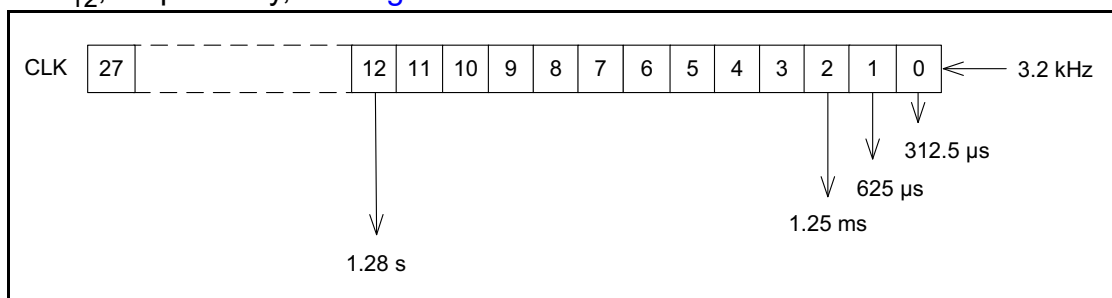


Figure 1.4: Bluetooth clock



In the different modes and states a device can reside in, the clock has different appearances:

- CLKR reference clock
- CLKN native clock
- CLKE estimated clock
- CLK Central's clock

CLKR is the reference clock driven by the free running system clock. CLKN may be offset from the reference clock by a timing offset. In Standby state and in Hold, Sniff, and Connectionless Peripheral Broadcast modes the reference clock shall have a worst case accuracy of ± 250 ppm. In all other circumstances, it shall have a worst case accuracy of ± 20 ppm; this accuracy shall also be used by the piconet Central while performing Piconet Clock Adjustment (see [Section 8.6.10](#)).

See [Section 2.2.4](#) for the definition of CLK and [Section 2.4.1](#) for the definition of CLKE.

The Central may adjust its native clock during the existence of the piconet within certain limits (see [Section 8.6.10.3](#)). The Central may also perform a coarse adjustment of the native clock by using the LMP_CLK_ADJ sequence.

1.2 BLUETOOTH DEVICE ADDRESSING

Each Bluetooth device shall be allocated a unique 48-bit Bluetooth Device Address (BD_ADDR). The address shall be a 48-bit extended unique identifier (EUI-48) created in accordance with section 8.2 ("Universal addresses") of the IEEE 802-2014 standard (<http://standards.ieee.org/findstds/standard/802-2014.html>).

Creation of a valid EUI-48 requires one of the following MAC Address Block types to be obtained from the IEEE Registration Authority:

- MAC Address Block Large (MA-L)
- MAC Address Block Medium (MA-M)
- MAC Address Block Small (MA-S)

See <http://standards.ieee.org/develop/regauth/index.html> for information on obtaining one of these MAC Address Blocks. See also the IEEE's guidelines for use of these addresses (<https://standards.ieee.org/develop/regauth/tut/eui.pdf>).

[Figure 1.5](#) illustrates how the LAP, UAP, and NAP map to the EUI-48. The bit pattern in [Figure 1.5](#) is an example BD_ADDR.

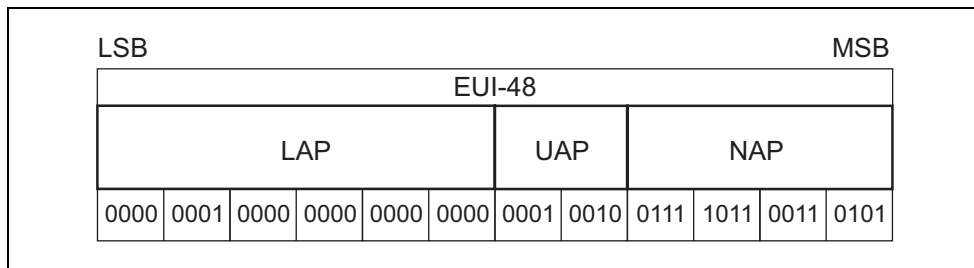


Figure 1.5: Format of BD_ADDR

The BD_ADDR may take any values except those that would have any of the 64 reserved LAP values for general and dedicated inquiries (see [Section 1.2.1](#)).

1.2.1 Reserved addresses

A block of 64 contiguous LAPs is reserved for inquiry operations; one LAP common to all devices is reserved for general inquiry, the remaining 63 LAPs are reserved for dedicated inquiry of specific classes of devices (see [Assigned Numbers](#)). The same LAP values are used regardless of the contents of UAP and NAP. Consequently, none of these LAPs can be part of a user BD_ADDR.

The reserved LAP addresses are 0x9E8B00 to 0x9E8B3F. The general inquiry LAP is 0x9E8B33. All addresses have the LSB at the rightmost position, hexadecimal notation. The default check initialization (DCI) is used as the UAP whenever one of the reserved LAP addresses is used. The DCI is defined to be 0x00 (hexadecimal).

1.3 ACCESS CODES

In the Bluetooth system all transmissions over the physical channel begin with an access code. Three different access codes are defined, see also [Section 6.3.1](#):

- device access code (DAC)
- channel access code (CAC)
- inquiry access code (IAC)

All access codes are derived from the LAP of a device address or an inquiry address. The device access code is used during Page, Page Scan, Central Page Response, and Peripheral Page Response substates and shall be derived from the paged device’s BD_ADDR. The channel access code is used in the Connection state, Synchronization Train substate, and Synchronization Scan substate, and forms the beginning of all packets exchanged on the piconet physical channel. The channel access code shall be derived from the LAP of the Central’s BD_ADDR. Finally, the inquiry access code shall be used in the Inquiry substate. There is one general IAC (GIAC) for general inquiry operations and there are 63 dedicated IACs (DIACs) for dedicated inquiry operations.



The access code also indicates to the receiver the arrival of a packet. It is used for timing synchronization and offset compensation. The receiver correlates against the entire synchronization word in the access code, providing very robust signaling.



2 PHYSICAL CHANNELS

The lowest architectural layer in the Bluetooth system is the physical channel. A number of types of physical channels are defined. All Bluetooth physical channels are characterized by the combination of a basic pseudo-random frequency hopping sequence (which, for physical links on the adapted piconet physical channel, is then modified by the *AFH_channel_map* (defined in [Vol 2] Part C, Section 5.2) for that link), the specific slot timing of the transmissions, the access code and packet header encoding. These aspects, together with the range of the transmitters, define the signature of the physical channel. For the basic and adapted piconet physical channels frequency hopping is used to change frequency periodically to reduce the effects of interference and to satisfy local regulatory requirements.

Two devices that wish to communicate use a shared physical channel for this communication. To achieve this, their transceivers must be tuned to the same RF frequency at the same time, and they must be within a nominal range of each other.

Given that the number of RF carriers is limited and that many Bluetooth devices could be operating independently within the same spatial and temporal area there is a strong likelihood of two independent Bluetooth devices having their transceivers tuned to the same RF carrier, resulting in a physical channel collision. To mitigate the unwanted effects of this collision each transmission on a physical channel starts with an access code that is used as a correlation code by devices tuned to the physical channel. This channel access code is a property of the physical channel. The access code is always present at the start of every transmitted packet.

Several Bluetooth physical channels are defined. Each is optimized and used for a different purpose. Two of these physical channels (the basic piconet channel and adapted piconet channel) are used for communication between connected devices and are associated with a specific piconet. Other physical channels are used for discovering (the inquiry scan channel) and connecting (the page scan channel) Bluetooth devices. The synchronization scan physical channel is used by devices to obtain timing and frequency information about the Connectionless Peripheral Broadcast physical link or to recover the current piconet clock.

A Bluetooth device can only use one of these physical channels at any given time. In order to support multiple concurrent operations the device uses time-division multiplexing between the channels. In this way a Bluetooth device can appear to operate simultaneously in several piconets, as well as being discoverable and connectable.

Whenever a Bluetooth device is synchronized to the timing, frequency and access code of a physical channel it is said to be 'connected' to this channel (whether or not it is actively involved in communications over the channel.) At a



minimum, a device need only be capable of connection to one physical channel at a time, however, advanced devices may be capable of connecting simultaneously to more than one physical channel, but the specification does not assume that this is possible.

2.1 PHYSICAL CHANNEL DEFINITION

Physical channels, apart from the synchronization scan physical channel (which uses a set of fixed RF channels), are defined by a basic pseudo-random RF channel hopping sequence, the packet (slot) timing, and an access code. The hopping sequences are determined by the UAP and LAP of a Bluetooth Device Address, the selected basic hopping sequence, and – for the adapted piconet physical channel – the *AFH_channel_map* being used on a physical link. The phase in the hopping sequence is determined by the Bluetooth clock. All physical channels are subdivided into time slots. Within the physical channel, each reception or transmission event is associated with a time slot or time slots. For each reception or transmission event an RF channel is selected by the hop selection kernel (see [Section 2.6](#)). The maximum hop rate is 1600 hops per second in the Connection state, the Synchronization Train substate, and the Synchronization Scan substate and the maximum is 3200 hops per second in the Inquiry and Page substates.

The following physical channels are defined:

- basic piconet physical channel
- adapted piconet physical channel
- page scan physical channel
- inquiry scan physical channel
- synchronization scan physical channel

2.2 BASIC PICONET PHYSICAL CHANNEL

During the Connection state the basic piconet physical channel is used by default. The adapted piconet physical channel may also be used. The adapted piconet physical channel is identical to the basic piconet physical channel except for the differences listed in [Section 2.3](#).

2.2.1 Central and Peripheral roles

The basic piconet physical channel is defined by the Central of the piconet. The Central controls the traffic on the piconet physical channel by a polling scheme (see [Section 8.5](#)).

By definition, the device that initiates a connection by paging is the Central. Once a piconet has been established, the Central and Peripheral may exchange roles. This is described in [Section 8.6.5](#).



2.2.2 Hopping characteristics

The basic piconet physical channel is characterized by a pseudo-random hopping through all 79 RF channels. The frequency hopping in the piconet physical channel is determined by the Bluetooth clock and BD_ADDR of the Central. When the piconet is established, the Central's clock is communicated to the Peripherals. Each Peripheral shall add an offset to its native clock to synchronize with the Central's clock. Since the clocks are independent, the offsets must be updated regularly. All devices participating in the piconet are time-synchronized and hop-synchronized to the channel.

The basic piconet physical channel uses the basic channel hopping sequence and is described in [Section 2.6](#).

2.2.3 Time slots

The basic piconet physical channel is divided into time slots, each 625 μs in length. The time slots are numbered according to the most significant 27 bits of the Bluetooth clock CLK_{27-1} of the piconet Central. The slot numbering ranges from 0 to $2^{27} - 1$ and is cyclic with a cycle length of 2^{27} . The time slot number is denoted as k.

A TDD scheme is used where Central and Peripheral alternately transmit, see [Figure 2.1](#). The packet start shall be aligned with the slot start. Packets may extend over up to five time slots.

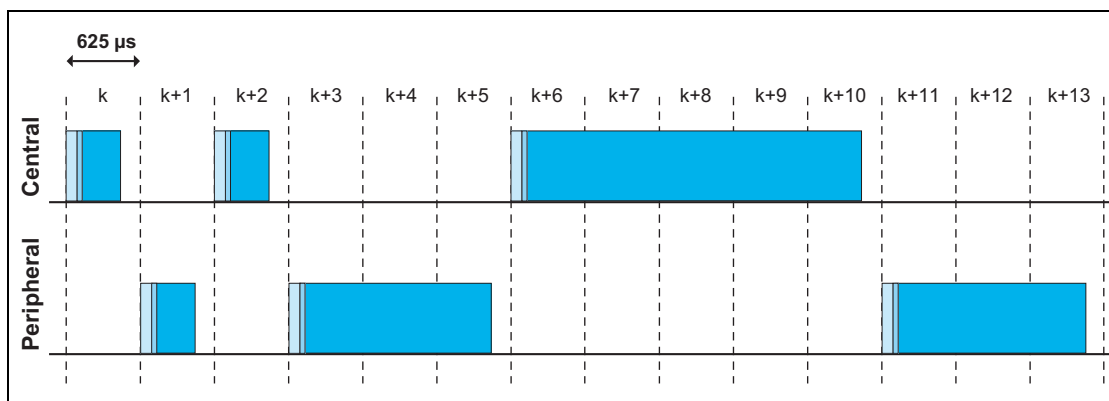


Figure 2.1: Multi-slot packets

The term *slot pairs* is used to indicate two adjacent time slots starting with a Central-to-Peripheral transmission slot.

2.2.4 Piconet clocks

CLK is the clock of the Central of the piconet. It shall be used for all timing and scheduling activities in the piconet. All devices shall use the CLK to schedule their transmission and reception. The CLK shall be derived from the reference clock CLKR (see [Section 1.1](#)) by adding a `time_base_offset` and a `peripheral_clock_offset`, see [Figure 2.2](#). The `time_base_offset` is a value that



devices may use to store a locally generated offset to CLKN caused by alignment to an external time base. The `peripheral_clock_offset` shall be zero for the Central since CLK is identical to its own native clock CLKN. Each Peripheral shall add an appropriate `peripheral_clock_offset` to its CLKN such that the CLK corresponds to the CLKN of the Central. Although all CLKNs in the devices run at the same nominal rate, mutual drift causes inaccuracies in CLK. Therefore, the `peripheral_clock_offset` in the Peripherals must be regularly updated such that CLK is approximately CLKN of the Central.

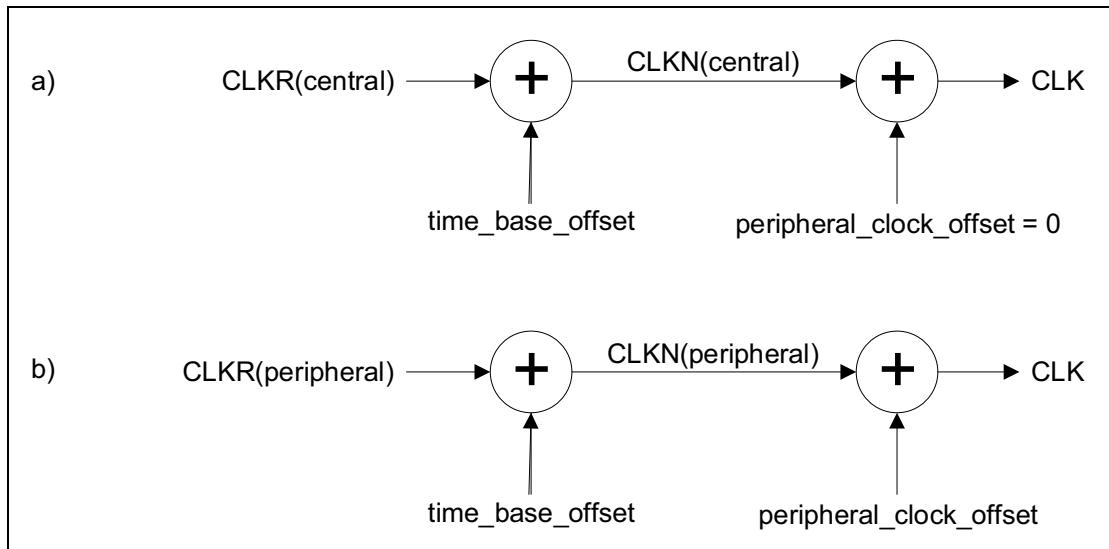


Figure 2.2: Derivation of CLK in Central (a) and in Peripheral (b)

Changes in `time_base_offset` are only made by the Central of a piconet; a device acting only as a Peripheral has no need to distinguish `CLKR` and `CLKN` in normal operation. In a scatternet situation, a Controller may be changing both `time_base_offset` to align its `CLKN` with an external clock, either collocated or at the request of a Peripheral, and `peripheral_clock_offset` to maintain synchronization with a different piconet clock. In some cases, it is not possible to determine how much of an observed offset is caused by external frame timing alignment (`time_base_offset`) and how much is caused by the offset between Central and Peripheral (`peripheral_clock_offset`).

2.2.5 Transmit/receive timing

The Central transmission shall always start at even numbered time slots ($CLK_1=0$) and the Peripheral transmission shall always start at odd numbered time slots ($CLK_1=1$). Due to packet types that cover more than a single slot, Central transmission may continue in odd numbered slots and Peripheral transmission may continue in even numbered slots, see [Figure 2.1](#).

All timing diagrams shown in [Section 2](#) are based on the signals as present at the antenna. The term “exact” when used to describe timing refers to an ideal transmission or reception and neglects timing jitter and clock frequency imperfections.



The average timing of packet transmission shall not drift faster than 20 ppm relative to the ideal slot timing of 625 μs . The instantaneous timing shall not deviate more than 1 μs from the average timing. Thus, the absolute packet transmission timing t_k of slot boundary k shall fulfill the equation:

$$t_k = \left(\sum_{i=1}^k (1 + d_i) T_N \right) + j_k + \text{offset}, \quad (\text{EQ 1})$$

where T_N is the nominal slot length (625 μs), j_k denotes jitter ($|j_k| \leq 1 \mu\text{s}$) at the start of slot k , and, d_k , denotes the drift ($|d_k| \leq 20 \text{ ppm}$) within slot k . The jitter and drift can vary arbitrarily within the given limits for every slot, while *offset* is an arbitrary but fixed constant. For Hold and Sniff modes the drift and jitter parameters specified in Link Manager Protocol [Vol 2] Part C, Section 4.3.1 apply.

2.2.5.1 Piconet physical channel timing

In the figures, only single-slot packets are shown as an example.

The Central TX/RX timing is shown in Figure 2.3. In Figure 2.3 and Figure 2.4 the channel hopping frequencies are indicated by $f(k)$ where k is the time slot number. After transmission, a return packet is expected $N \times 625 \mu\text{s}$ after the start of the TX packet where N is an odd, integer larger than 0. N depends on the type of the transmitted packet.

To allow for some time slipping, an uncertainty window is defined around the exact receive timing. During normal operation, the window length shall be 20 μs , which allows the RX packet to arrive up to 10 μs too early or 10 μs too late. It is recommended that Peripherals implement variable sized windows or time tracking to accommodate a Central's absence of more than 250 ms.

During the beginning of the RX cycle, the access correlator shall search for the correct channel access code over the uncertainty window. If an event trigger does not occur the receiver may go to sleep until the next RX event. If in the course of the search, it becomes apparent that the correlation output will never exceed the final threshold, the receiver may go to sleep earlier. If a trigger event occurs, the receiver shall remain open to receive the rest of the packet unless the packet is for another device, a non-recoverable header error is detected, or a non-recoverable payload error is detected.

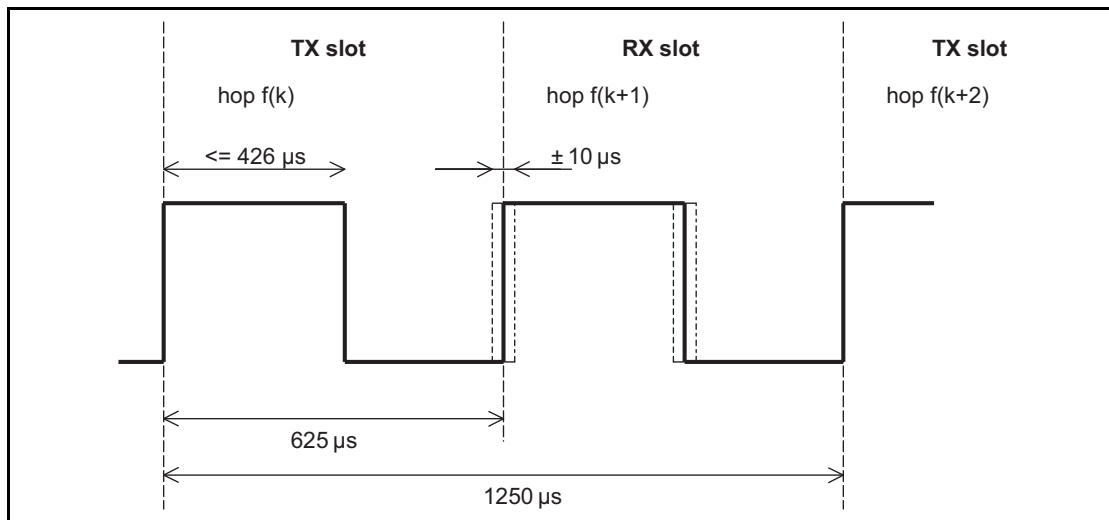


Figure 2.3: RX/TX cycle of Central transceiver in normal mode for single-slot packets

Each Central transmission shall be derived from bit 2 of the Central's native Bluetooth clock, thus the current transmission will be scheduled $M \times 1250 \mu\text{s}$ after the start of the previous Central TX burst where M depends on the transmitted and received packet type and is an even, integer larger than 0. The Central TX timing shall be derived from the Central's native Bluetooth clock, and thus it will not be affected by time drifts in the Peripheral(s).

Peripherals maintain an estimate of the Central's native clock by adding a timing offset to the Peripheral's native clock (see Section 2.2.4). This offset shall be updated each time a packet is received from the Central. By comparing the exact RX timing of the received packet with the estimated RX timing, Peripherals shall correct the offset for any timing misalignments. Since only the channel access code is required to synchronize the Peripheral, Peripheral RX timing can be corrected with any packet sent in the Central-to-Peripheral transmission slot.

The Peripheral's TX/RX timing is shown in Figure 2.4. The Peripheral's transmission shall be scheduled $N \times 625 \mu\text{s}$ after the start of the Peripheral's RX packet where N is an odd, positive integer larger than 0. If the Peripheral's RX timing drifts, so will its TX timing. During periods when a Peripheral is in the Active mode (see Section 8.6) and is prevented from receiving valid channel access codes from the Central due to local RF interference, Peripheral activity in a different piconet, or any other reason, the Peripheral may increase its receive uncertainty window and/or use predicted timing drift to increase the probability of receiving the Central's bursts when reception resumes.

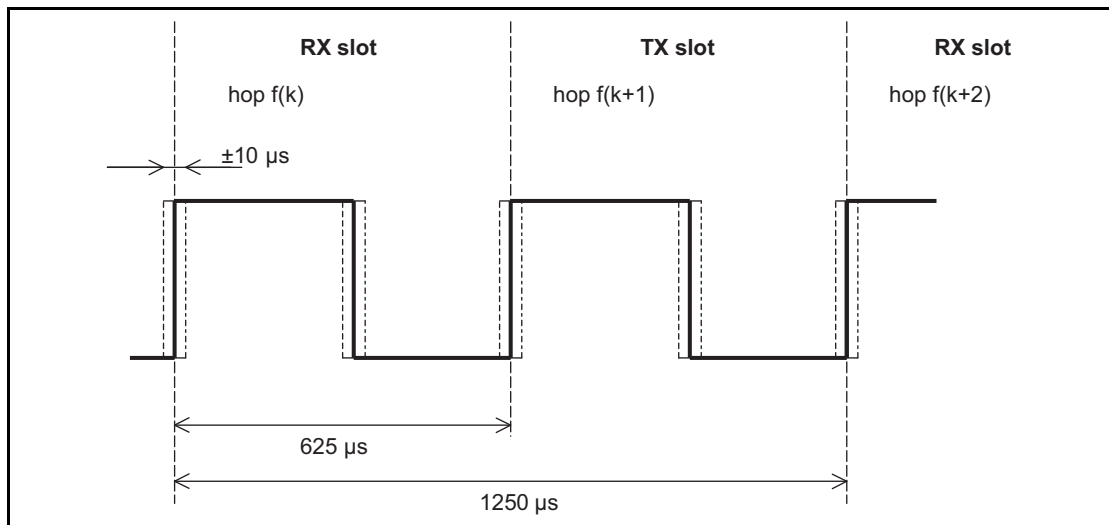


Figure 2.4: RX/TX cycle of Peripheral transceiver in normal mode for single-slot packets

2.2.5.2 Piconet physical channel re-synchronization

In the piconet physical channel, a Peripheral can lose synchronization if it does not receive a packet from the Central at least every 200 ms (or less if the low power clock is used). The Central may fail to transmit to the Peripheral due to the Central being busy with other tasks such as maintaining connections to other devices in Sniff or Hold modes, due to SCO, eSCO, or Connectionless Peripheral Broadcast activity, due to the Central being involved in a scatternet, or due to interference. When re-synchronizing to the piconet physical channel a Peripheral shall listen for the Central before it may send information (except for a Connectionless Peripheral Broadcast Receiver device which shall listen for the Transmitter but does not send information). In this case, the length of the synchronization search window in the Peripheral may be increased from $20 \mu\text{s}$ to a larger value $X \mu\text{s}$ as illustrated in Figure 2.5. Only RX hop frequencies are used: the hop frequency used in the Central-to-Peripheral (RX) slot shall also be used in the uncertainty window, even when it is extended into the preceding time interval normally used for the Peripheral-to-Central (TX) slot.

If the length of search window, X , exceeds $1250 \mu\text{s}$, consecutive windows shall avoid overlapping search windows. Consecutive windows should instead be centered at $f(k), f(k+4), \dots, f(k+4i)$ (where 'i' is an integer), which gives a maximum value $X=2500 \mu\text{s}$, or even at $f(k), f(k+6), \dots, f(k+6i)$ which gives a maximum value $X=3750 \mu\text{s}$. The RX hop frequencies used shall correspond to the Central-to-Peripheral transmission slots.

It is recommended that single slot packets are transmitted by the Central during Peripheral re-synchronization.

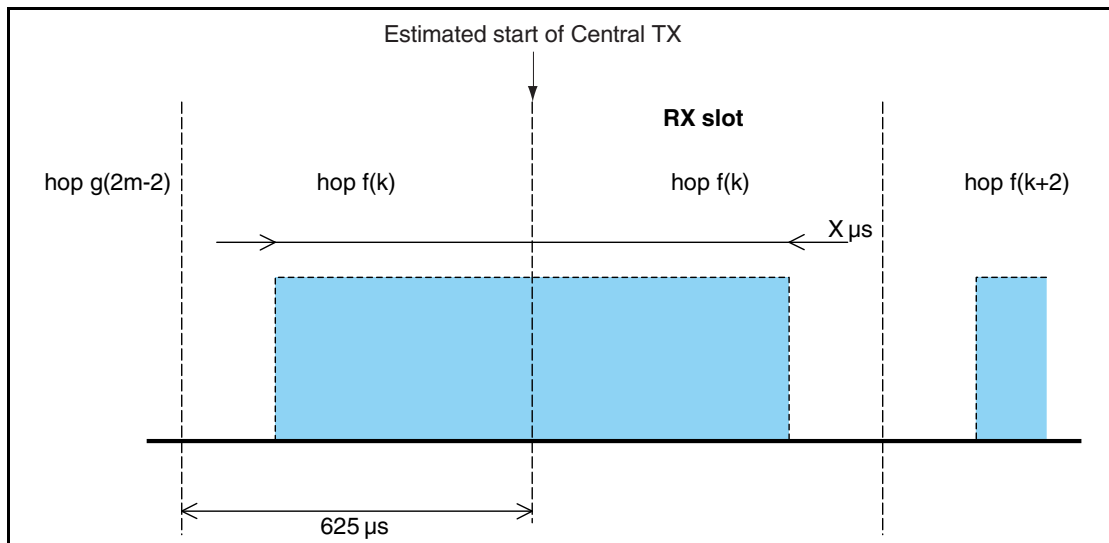


Figure 2.5: RX timing of Peripheral returning from Hold mode

2.3 ADAPTED PICONET PHYSICAL CHANNEL

For devices that enter Connectionless Peripheral Broadcast mode, the device that transmits Connectionless Peripheral Broadcast packets is the Central of the piconet and any device that receives Connectionless Peripheral Broadcast packets is a Peripheral of the piconet.

2.3.1 Hopping characteristics

Each physical link on the adapted piconet physical channel shall use at least N_{min} RF channels (where N_{min} is 20).

The adapted piconet physical channel uses the adapted channel hopping sequence described in [Section 2.6](#).

Adapted piconet physical channels can be used for connected devices that have adaptive frequency hopping (AFH) enabled. There are two distinctions between basic and adapted piconet physical channels. The first is the same channel mechanism that makes the Peripheral frequency the same as the preceding Central transmission. The second aspect is that the adapted piconet physical channel may be based on less than the full 79 frequencies of the basic piconet physical channel. Each physical link on an adapted piconet physical channel may use a different set of frequencies.

2.4 PAGE SCAN PHYSICAL CHANNEL

Although Central and Peripheral roles are not defined prior to a connection, the term *Central* is used for the paging device (that becomes a Central in the Connection state) and *Peripheral* is used for the page scanning device (that becomes a Peripheral in the Connection state).

2.4.1 Clock estimate for paging

A paging device uses an estimate of the native clock of the page scanning device, CLKE; i.e. an offset shall be added to the CLKN of the pager to approximate the CLKN of the recipient, see [Figure 2.6](#). CLKE shall be derived from the native CLKN by adding an offset. By using the CLKN of the recipient, the pager might be able to speed up the connection establishment.

Note: CLKR is never used for deriving CLKE or for any other control of the hopping kernel.

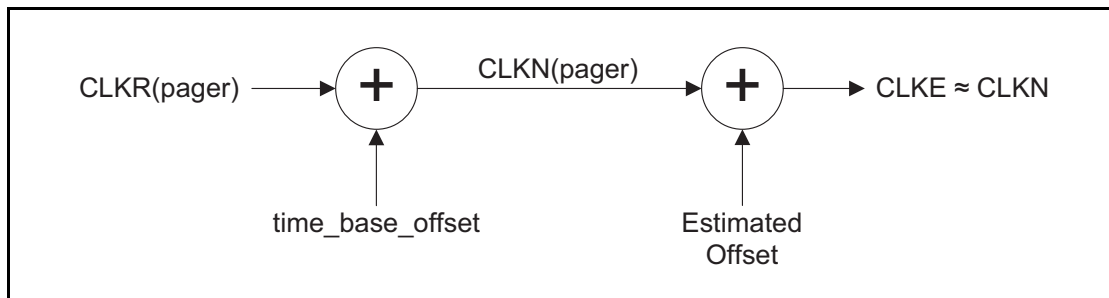


Figure 2.6: Derivation of CLKE

2.4.2 Hopping characteristics

The page scan physical channel follows a slower hopping pattern than the basic piconet physical channel and is a short pseudo-random hopping sequence through the RF channels. The timing of the page scan channel shall be determined by the native Bluetooth clock of the scanning device. The frequency hopping sequence is determined by the Bluetooth address of the scanning device.

The page scan physical channel uses the page, Central page response, Peripheral page response, and page scan hopping sequences specified in [Section 2.6](#).

2.4.3 Paging procedure timing

During the paging procedure, the Central shall transmit paging messages (see [Table 8.3](#)) corresponding to the Peripheral to be connected. Since the paging message is a very short packet, the hop rate is 3200 hops per second. In a single TX slot interval, the paging device shall transmit on two different hop frequencies. In [Figure 2.7](#) to [Figure 2.11](#), $f(k)$ is used for the frequencies of the page hopping sequence and $f'(k)$ denotes the corresponding page response sequence frequencies. The first transmission starts where $CLK_0 = 0$ and the second transmission starts where $CLK_0 = 1$.

In a single RX slot interval, the paging device shall listen for the Peripheral page response message on two different hop frequencies. Similar to transmission, the nominal reception starts where $CLK_0 = 0$ and the second reception nominally starts where $CLK_0 = 1$; see [Figure 2.7](#). During the TX slot, the paging device shall send the paging message at the TX hop frequencies



$f(k)$ and $f(k+1)$. In the RX slot, it shall listen for a response on the corresponding RX hop frequencies $f'(k)$ and $f'(k+1)$. The listening periods shall be exactly timed $625 \mu\text{s}$ after the corresponding paging packets, and shall include a $\pm 10 \mu\text{s}$ uncertainty window.

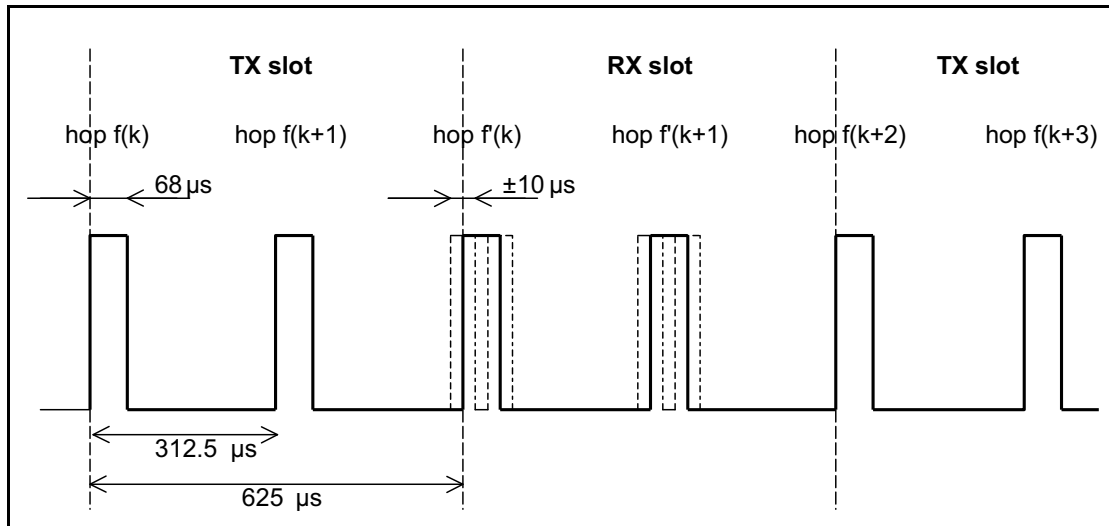


Figure 2.7: RX/TX cycle of transceiver in Page mode

2.4.4 Page response timing

At connection setup a Central page response packet is transmitted from the Central to the Peripheral (see Table 8.3). This packet establishes the timing and frequency synchronization. After the Peripheral has received the page message, it shall return a response message that consists of the Peripheral page response packet and shall follow $625 \mu\text{s}$ after the receipt of the page message. The Central shall send the Central page response packet in the TX slot following the RX slot in which it received the Peripheral's response, according to the RX/TX timing of the Central. The time difference between the Peripheral page response and Central page response message will depend on the timing of the page message the Peripheral received. In Figure 2.8, the Peripheral receives the paging message sent **first** in the Central-to-Peripheral slot. It then responds with a first Peripheral page response packet in the first half of the Peripheral-to-Central slot. The timing of the Central page response packet is based on the timing of the page message sent first in the preceding Central-to-Peripheral slot: there is an exact $1250 \mu\text{s}$ delay between the first page message and the Central page response packet. The packet is sent at the hop frequency $f(k+1)$ which is the hop frequency following the hop frequency $f(k)$ the page message was received in.

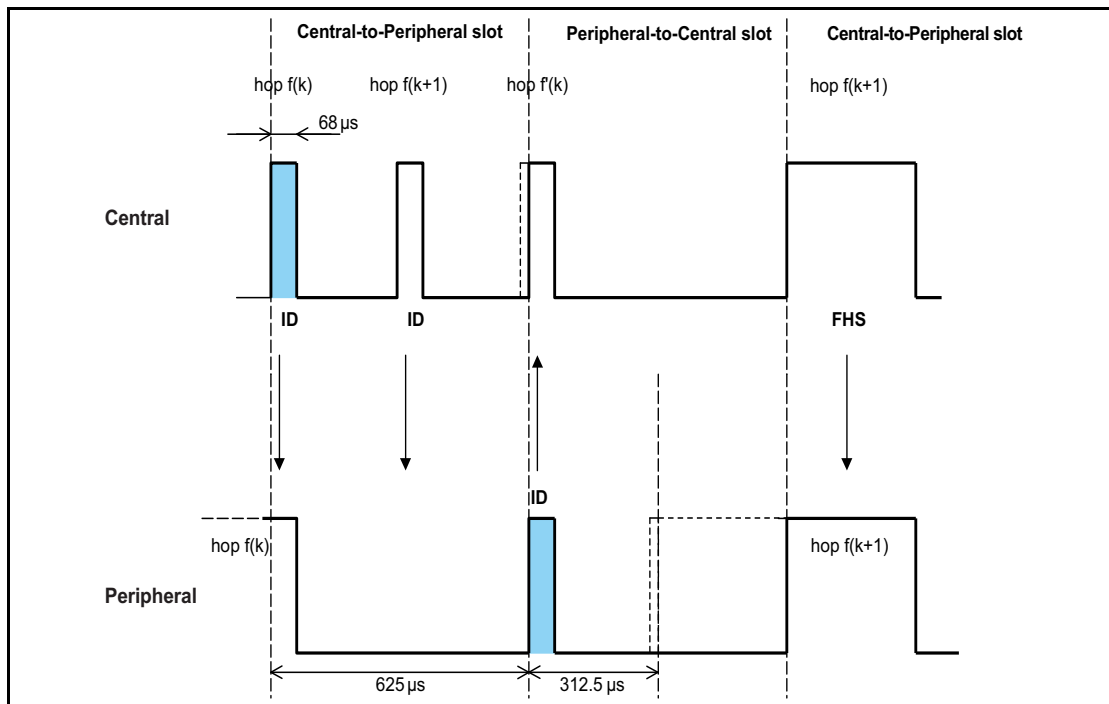


Figure 2.8: Timing of page response packets on successful page in first half slot

In [Figure 2.9](#), the Peripheral receives the paging message sent **second** in the Central-to-Peripheral slot. It then responds with a Peripheral page response packet in the second half of the Peripheral-to-Central slot exactly $625 \mu s$ after the receipt of the page message. The timing of the Central page response packet is still based on the timing of the page message sent **first** in the preceding Central-to-Peripheral slot: there is an exact $1250 \mu s$ delay between the **first** page message and the Central page response packet. The packet is sent at the hop frequency $f(k+2)$ which is the hop frequency following the hop frequency $f(k+1)$ the page message was received in.

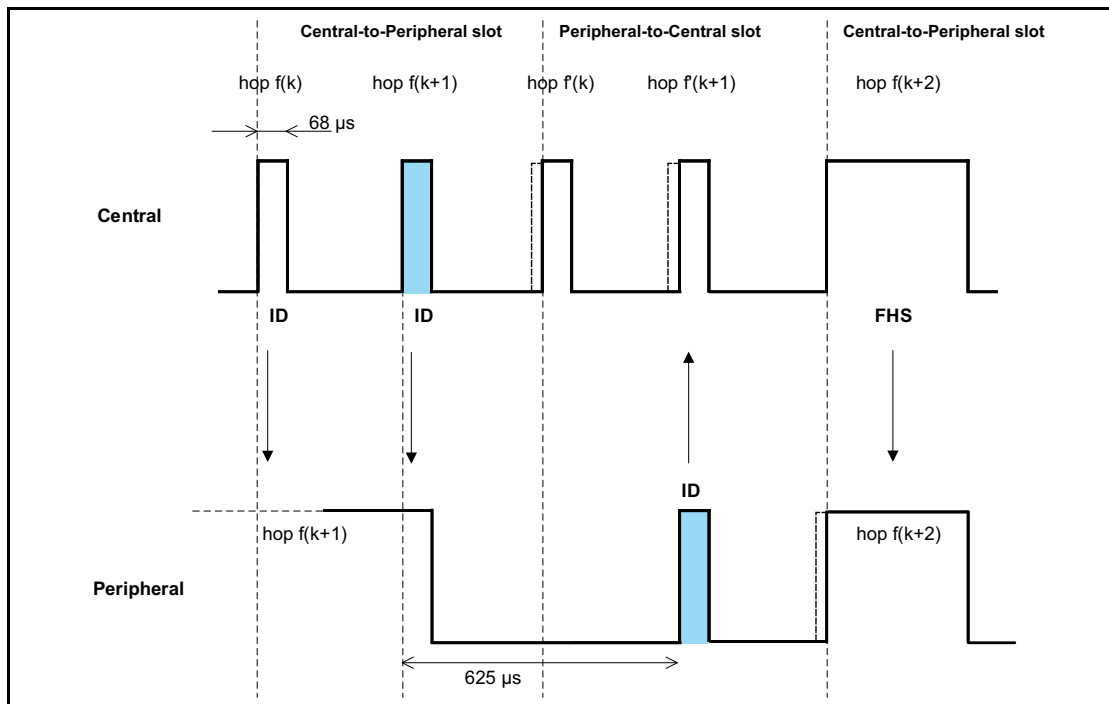


Figure 2.9: Timing of page response packets on successful page in second half slot

The Peripheral shall adjust its RX/TX timing according to the reception of the Central page response packet (and not according to the reception of the page message). That is, the second Peripheral page response message that acknowledges the reception of the Central page response packet shall be transmitted 625 µs after the start of the Central page response packet.

2.5 INQUIRY SCAN PHYSICAL CHANNEL

Although Central and Peripheral roles are not defined prior to a connection, the term *Central* is used for the inquiring device and *Peripheral* is used for the inquiry scanning device.

2.5.1 Clock for inquiry

The clock used for inquiry and inquiry scan shall be the device's native clock.

2.5.2 Hopping characteristics

The inquiry scan channel follows a slower hopping pattern than the piconet physical channel and is a short pseudo-random hopping sequence through the RF channels. The timing of the inquiry scan channel is determined by the native Bluetooth clock of the scanning device while the frequency hopping sequence is determined by the general inquiry access code.

The inquiry scan physical channel uses the inquiry, inquiry response, and inquiry scan hopping sequences described in [Section 2.6](#).



2.5.3 Inquiry procedure timing

During the inquiry procedure, the Central shall transmit inquiry messages with the general or dedicated inquiry access code. The timing for inquiry is the same as for paging (see Section 2.4.3).

2.5.4 Inquiry response timing

An inquiry response packet is transmitted from the Peripheral to the Central after the Peripheral has received an inquiry message (see Table 8.5). This packet contains information necessary for the inquiring Central to page the Peripheral (see definition of the FHS packet in Section 6.5.1.4) and follows 625 μ s after the receipt of the inquiry message. If the Peripheral transmits an extended inquiry response packet, it shall be transmitted 1250 μ s after the start of the inquiry response packet.

In Figure 2.10 and Figure 2.11, $f(k)$ is used for the frequencies of the inquiry hopping sequence and $f'(k)$ denotes the corresponding inquiry response sequence frequency. The inquiry response packet and the extended inquiry response packet are received by the Central at the hop frequency $f'(k)$ when the inquiry message received by the Peripheral was first in the Central-to-Peripheral slot.

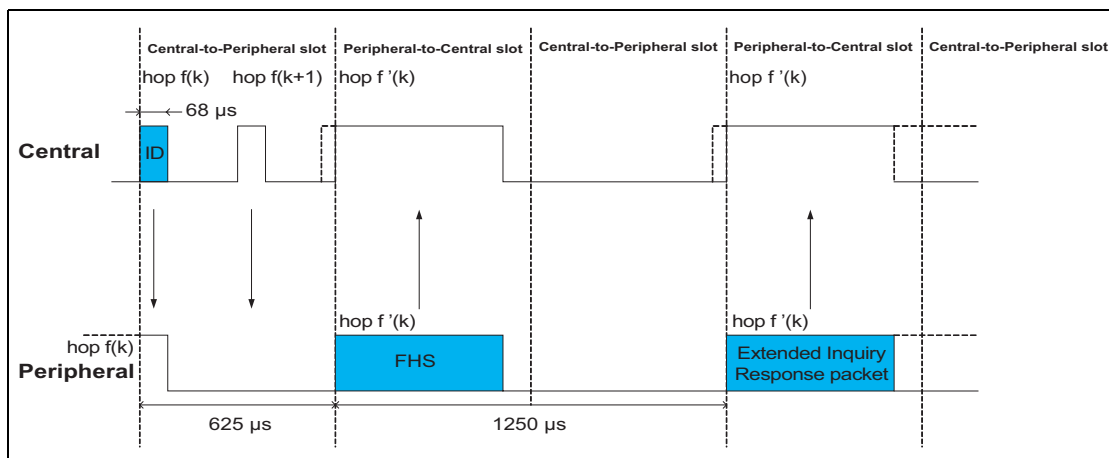


Figure 2.10: Timing of inquiry response packets on successful inquiry in first half slot

When the inquiry message received by the Peripheral was the second in the Central-to-Peripheral slot the inquiry response packet and the extended inquiry response packet are received by the Central at the hop frequency $f'(k+1)$.

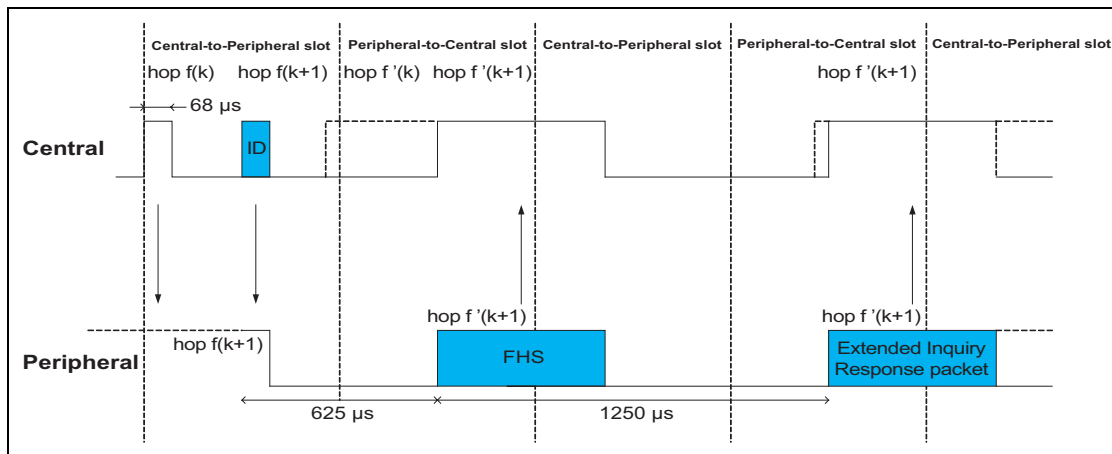


Figure 2.11: Timing of inquiry response packets on successful inquiry in second half slot

2.6 HOP SELECTION

Bluetooth devices shall use the hopping kernel as defined in the following sections.

In total, six types of hopping sequence are defined – five for the basic hop system and one for an adapted set of hop locations used by adaptive frequency hopping (AFH). These sequences are:

- A page hopping sequence with 32 wake-up frequencies distributed equally over the 79 MHz, with a period length of 32.
- A page response hopping sequence covering 32 response frequencies that are in a one-to-one correspondence to the current page hopping sequence. The Central and Peripheral use different rules to obtain the same sequence.
- An inquiry hopping sequence with 32 wake-up frequencies distributed equally over the 79 MHz, with a period length of 32.
- An inquiry response hopping sequence covering 32 response frequencies that are in a one-to-one correspondence to the current inquiry hopping sequence.
- A basic channel hopping sequence which has a very long period length, which does not show repetitive patterns over a short time interval, and which distributes the hop frequencies equally over the 79 MHz during a short time interval.
- An adapted channel hopping sequence derived from the basic channel hopping sequence which uses the same channel mechanism and may use fewer than 79 frequencies. The adapted channel hopping sequence is only used in place of the basic channel hopping sequence. All other hopping sequences are not affected by hop sequence adaptation.

In addition, a set of synchronization train RF channels with 3 fixed frequencies is defined.



2.6.1 General selection scheme

The selection scheme consists of two parts:

- selecting a sequence;
- mapping this sequence onto the hop frequencies.

The general block diagram of the hop selection scheme is shown in [Figure 2.12](#). The mapping from the input to a particular RF channel index is performed in the selection box.

The inputs to the selection box are the selected clock, frozen clock, N , k_{offset} , *interlace_offset*, *address*, *sequence selection* and *AFH_channel_map*. The source of the clock input depends on the hopping sequence selected. Additionally, each hopping sequence uses different bits of the clock (see [Table 2.2](#)). N , *interlace_offset*, and k_{offset} are defined in [Section 2.6.4](#).

The *sequence selection* input can be set to the following values:

- page scan
- inquiry scan
- page
- inquiry
- Central page response
- Peripheral page response
- inquiry response
- basic channel
- adapted channel

The *address* input consists of 28 bits as specified in [Table 2.3](#) (see [Section 2.6.4](#)). The hopping sequence is selected by the *sequence selection* input to the selection box.

When the adapted channel hopping sequence is selected, the *AFH_channel_map* is an additional input to the selection box. The *AFH_channel_map* indicates which channels shall be *used* and which shall be *unused*. These terms are defined in [Section 2.6.3](#).

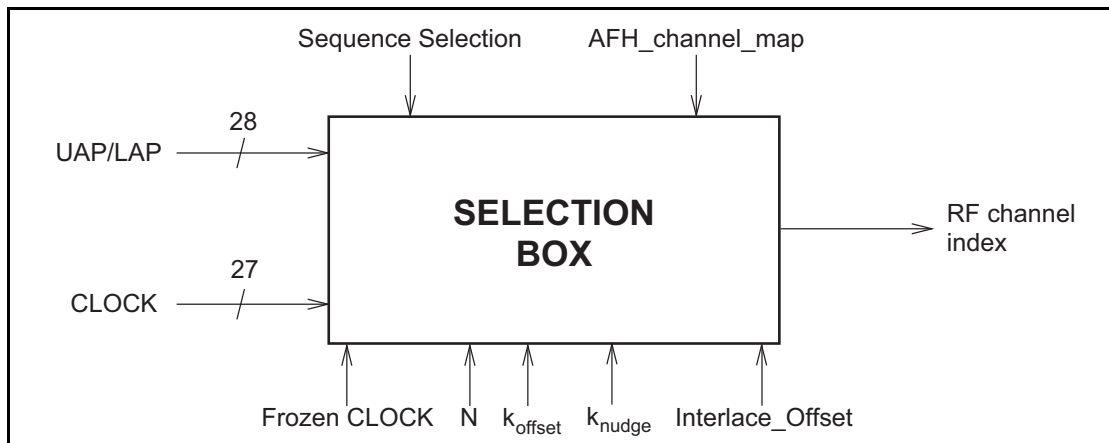


Figure 2.12: General block diagram of hop selection scheme

The output, *RF channel index*, constitutes a pseudo-random sequence. The RF channel index is mapped to RF channel frequencies using the equation in [Vol 2] Part A, Table 2.1.

The selection scheme chooses a segment of 32 hop frequencies spanning about 64 MHz and visits these hops in a pseudo-random order. Next, a different 32-hop segment is chosen, etc. In the page, Central page response, Peripheral page response, page scan, inquiry, inquiry response and inquiry scan hopping sequences, the same 32-hop segment is used all the time (the segment is selected by the address; different devices will have different paging segments). When the basic channel hopping sequence is selected, the output constitutes a pseudo-random sequence that slides through the 79 hops. The principle is depicted in Figure 2.13.

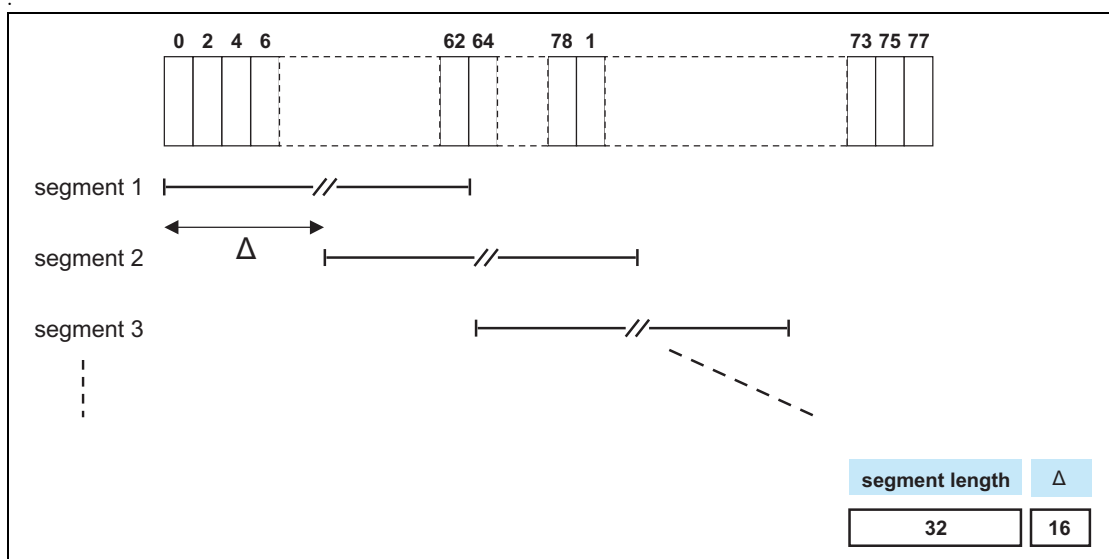


Figure 2.13: Hop selection scheme in Connection state

The RF frequency shall remain fixed for the duration of the packet. The RF frequency for the packet shall be derived from the Bluetooth clock value in the



first slot of the packet. The RF frequency in the first slot after a multi-slot packet shall use the frequency as determined by the Bluetooth clock value for that slot. Figure 2.14 illustrates the hop definition on single- and multi-slot packets.

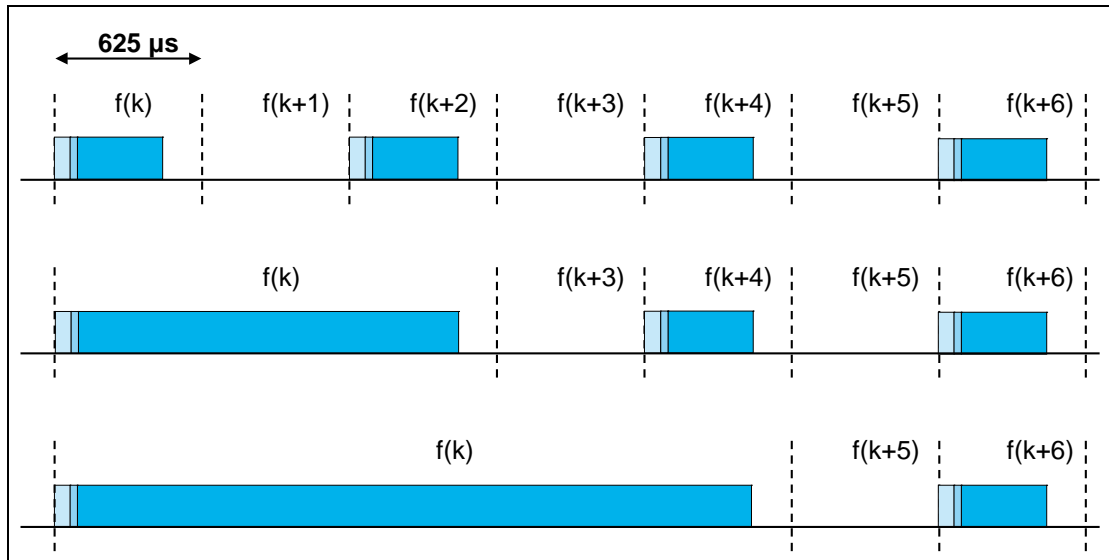


Figure 2.14: Single- and multi-slot packets

When the adapted channel hopping sequence is used, the pseudo-random sequence contains only frequencies that are in the RF channel set defined by the *AFH_channel_map* input. The adapted sequence has similar statistical properties to the non-adapted hop sequence. In addition, the Peripheral responds with its packet on the same RF channel that was used by the Central to address that Peripheral (or would have been in the case of a synchronous reserved slot without a validly received Central-to-Peripheral transmission). This is called the *same channel mechanism* of AFH. Thus, the RF channel used for the Central to Peripheral packet is also used for the immediately following Peripheral to Central packet. An example of the same channel mechanism is illustrated in Figure 2.15. The same channel mechanism shall be used whenever the adapted channel hopping sequence is selected.

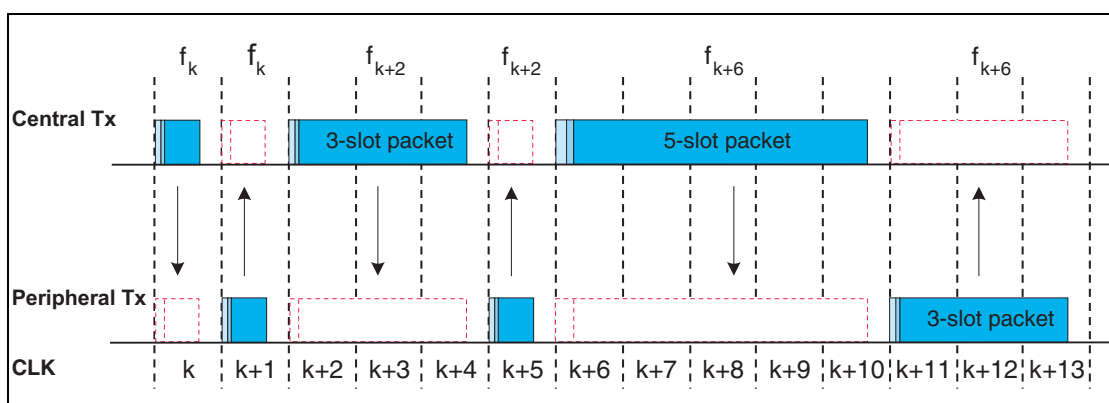


Figure 2.15: Example of the same channel mechanism



2.6.2 Selection kernel

The basic hop selection kernel shall be as shown in [Figure 2.16](#) and is used for the page, page response, inquiry, inquiry response and basic channel hopping selection kernels. In these substates the AFH_channel_map input is unused. The adapted channel hopping selection kernel is described in [Section 2.6.3](#). The X input determines the phase in the 32-hop segment, whereas Y1 and Y2 selects between Central-to-Peripheral and Peripheral-to-Central. The inputs A to D determine the ordering within the segment, the inputs E and F determine the mapping onto the hop frequencies. The kernel addresses a register containing the RF channel indices. This list is ordered so that first all even RF channel indices are listed and then all odd hop frequencies. In this way, a 32-hop segment spans about 64 MHz.

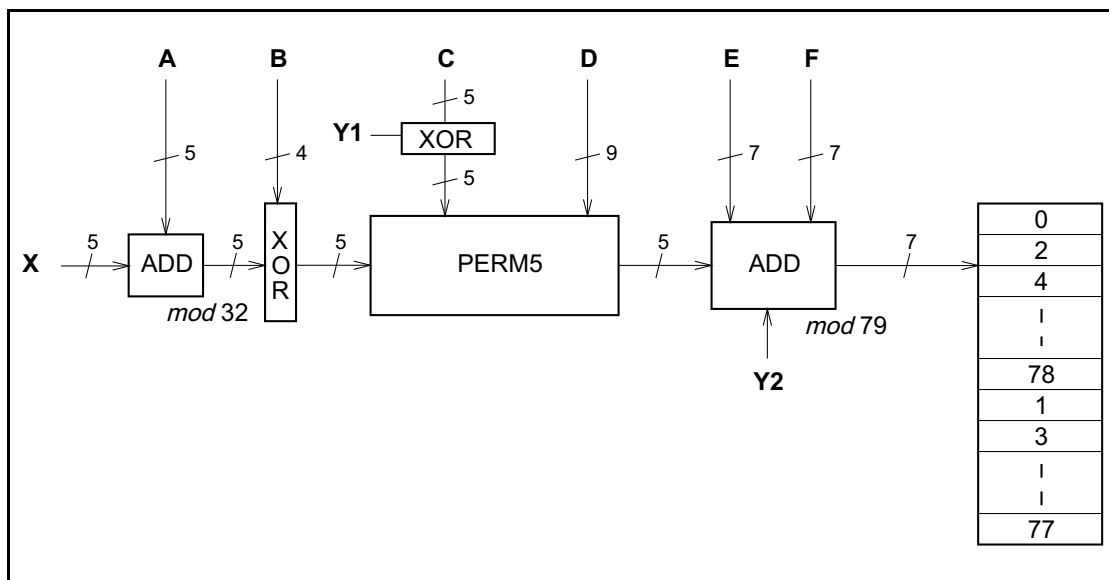


Figure 2.16: Block diagram of the basic hop selection kernel for the hop system

The selection procedure consists of an addition, an XOR operation, a permutation operation, an addition, and finally a register selection. In [Section 2.6.2](#) and [Table 2.2](#), the notation A_i is used for bit i of the BD_ADDR.

2.6.2.1 First addition operation

The first addition operation only adds a constant to the phase and applies a *mod 32* operation. For the page hopping sequence, the first addition is redundant since it only changes the phase within the segment. However, when different segments are concatenated (as in the basic channel hopping sequence), the first addition operation will have an impact on the resulting sequence.



2.6.2.2 XOR operation

In the XOR operation, the four LSBs of the output of the first addition (designated Z' here) are XORed with the address bits A_{22-19} , while the Z'_4 bit is left unaltered. The operation is illustrated in [Figure 2.17](#).

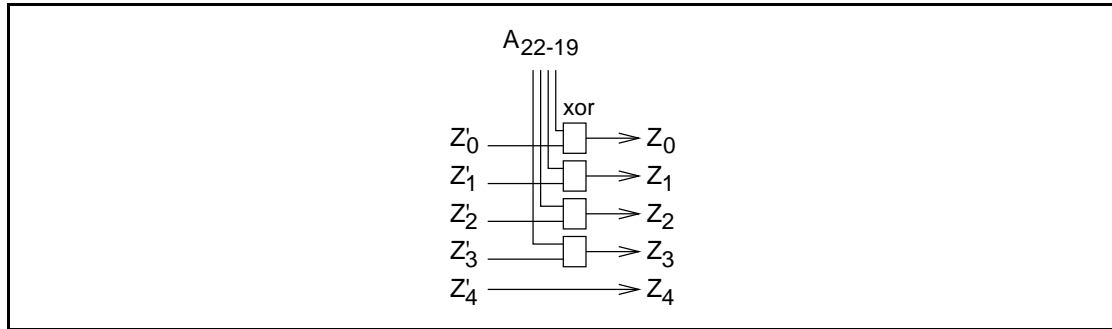


Figure 2.17: XOR operation for the hop system

2.6.2.3 Permutation operation

The permutation operation involves the switching from 5 inputs to 5 outputs for the hop system, controlled by the control word. The permutation or switching box shall be as shown in [Figure 2.18](#). It consists of 7 stages of butterfly operations. The control of the butterflies by the control signals P is shown in [Table 2.1](#). P_{0-8} corresponds to D_{0-8} , and, P_{i+9} corresponds to $C_i \oplus Y1$ for $i = 0 \dots 4$ in [Figure 2.16](#).

Control signal	Butterfly	Control signal	Butterfly
P_0	$\{Z_0, Z_1\}$	P_7	$\{Z_3, Z_4\}$
P_1	$\{Z_2, Z_3\}$	P_8	$\{Z_1, Z_4\}$
P_2	$\{Z_1, Z_2\}$	P_9	$\{Z_0, Z_3\}$
P_3	$\{Z_3, Z_4\}$	P_{10}	$\{Z_2, Z_4\}$
P_4	$\{Z_0, Z_4\}$	P_{11}	$\{Z_1, Z_3\}$
P_5	$\{Z_1, Z_3\}$	P_{12}	$\{Z_0, Z_3\}$
P_6	$\{Z_0, Z_2\}$	P_{13}	$\{Z_1, Z_2\}$

Table 2.1: Control of the butterflies for the hop system

The Z input is the output of the XOR operation as described in the previous section. The butterfly operation can be implemented with multiplexers as depicted in [Figure 2.19](#).

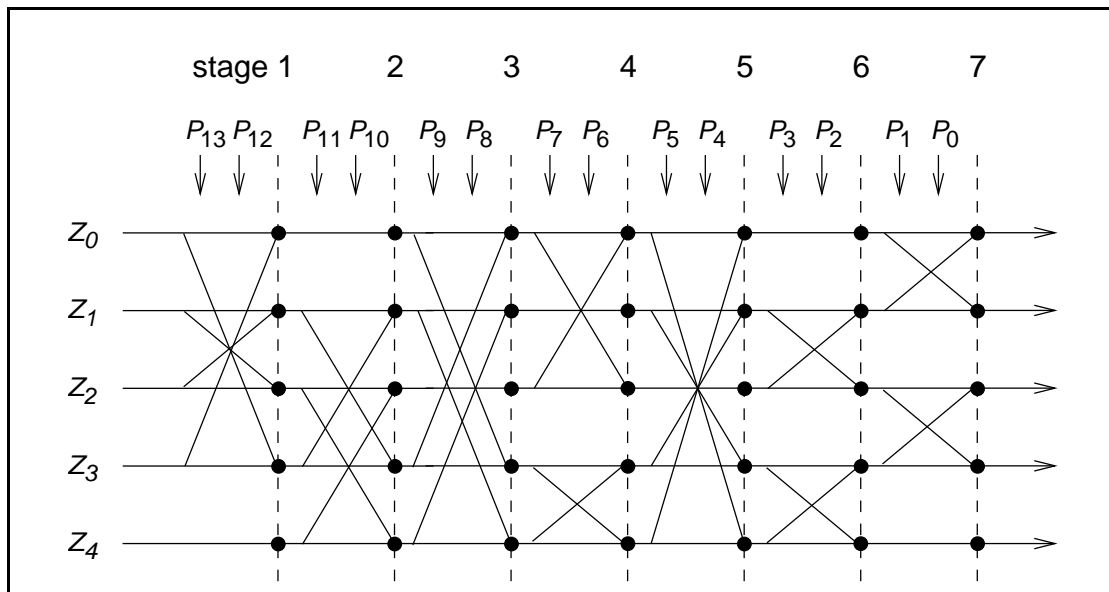


Figure 2.18: Permutation operation for the hop system

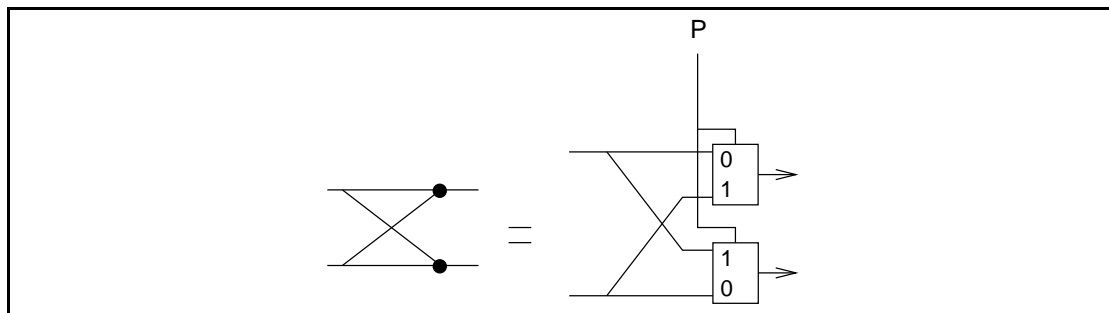


Figure 2.19: Butterfly implementation

2.6.2.4 Second addition operation

The addition operation selects the hop frequencies to be used by the current segment and also switches between Central-to-Peripheral and Peripheral-to-Central. It adds the output of the current permutation (which selects a channel within the segment), a constant, the clock bit selecting Central or Peripheral slots, and a value used to switch each segment to a new set of channels in Connection state. The addition is applied *mod 79*.

2.6.2.5 Register bank

The output of the adder addresses a bank of 79 registers. The registers are loaded with the synthesizer code words corresponding to the hop frequencies 0 to 78.

The upper half of the bank contains the even hop frequencies, whereas the lower half of the bank contains the odd hop frequencies.



2.6.3 Adapted hop selection kernel

The adapted hop selection kernel is based on the basic hop selection kernel defined in the preceding sections.

The inputs to the adapted hop selection kernel are the same as for the basic hop system kernel except that the input *AFH_channel_map* (defined in Link Manager Protocol [Vol 2] Part C, Section 5.2) is used. The *AFH_channel_map* indicates which RF channels shall be *used* and which shall be *unused*. When hop sequence adaptation is enabled, the number of *used* RF channels may be reduced from 79 to some smaller value N . All devices shall be capable of operating on an adapted hop sequence (AHS) with $N_{min} \leq N \leq 79$, with any combination of *used* RF channels within the *AFH_channel_map* that meets this constraint. N_{min} is defined in Section 2.3.1.

Adaptation of the hopping sequence is achieved through two additions to the basic channel hopping sequence according to Figure 2.16:

- *Unused* RF channels are re-mapped uniformly onto *used* RF channels. That is, if the hop selection kernel of the basic system generates an *unused* RF channel, an alternative RF channel out of the set of *used* RF channels is selected pseudo-randomly.
- The *used* RF channel generated for the Central-to-Peripheral packet is also used for the immediately following Peripheral-to-Central packet (see Section 2.6.1).

2.6.3.1 Channel re-mapping function

When the adapted hop selection kernel is selected, the basic hop selection kernel according to Figure 2.16 is initially used to determine an RF channel. If this RF channel is *unused* according to the *AFH_channel_map*, the *unused* RF channel is re-mapped by the re-mapping function to one of the *used* RF channels. If the RF channel determined by the basic hop selection kernel is already in the set of *used* RF channels, no adjustment is made. The hop sequence of the (non-adapted) basic hop equals the sequence of the adapted selection kernel on all locations where *used* RF channels are generated by the basic hop. This property facilitates all Peripherals remaining synchronized even if they are not all using the same hopping sequence.

A block diagram of the re-mapping mechanism is shown in Figure 2.20. The re-mapping function is a post-processing step to the selection kernel from Figure 2.16, denoted as 'Hop selection of the basic hop'. The output f_k of the basic hop selection kernel is an RF channel number that ranges between 0 and 78. This RF channel will either be in the set of *used* RF channels or in the set of *unused* RF channels.

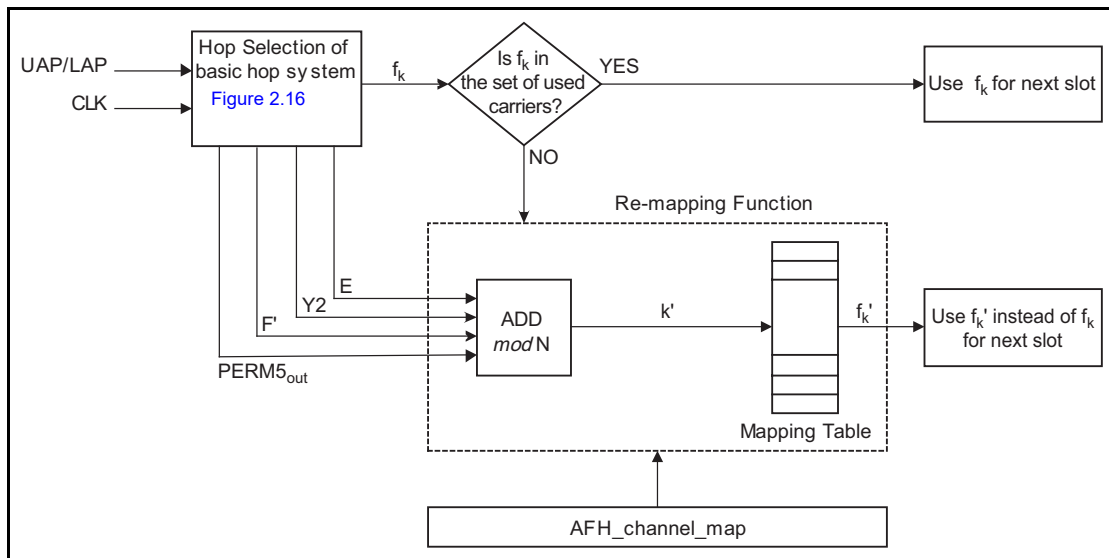


Figure 2.20: Block diagram of adaptive hop selection mechanism

When an unused RF channel is generated by the basic hop selection mechanism, it is re-mapped to the set of *used* RF channels as follows. A new index $k' \in \{0, 1, \dots, N-1\}$ is calculated using some of the parameters from the basic hop selection kernel:

$$k' = (PERM5_{out} + E + F' + Y2) \text{ mod } N$$

where F' is defined in Table 2.2. The index k' is then used to select the re-mapped channel from a mapping table that contains all of the even *used* RF channels in ascending order followed by all the odd *used* RF channels in ascending order (i.e., the mapping table of Figure 2.16 with all the *unused* RF channels removed).

2.6.4 Control word

The control word of the kernel is controlled by the overall control signals X, Y1, Y2, A to F, and F' as illustrated in Figure 2.16 and Figure 2.20. During paging and inquiry, the inputs A to E use the address values as given in the corresponding columns of Table 2.2. In addition, the inputs X, Y1 and Y2 are used. The F and F' inputs are unused. The clock bits CLK_{6-2} (i.e., input X) specify the phase within the length 32 sequence. CLK_1 (i.e., inputs Y1 and Y2) is used to select between TX and RX. The address inputs determine the sequence order within segments. The final mapping onto the hop frequencies is determined by the register contents.

During the Connection state (see Section 8.5), the inputs A, C and D shall be derived from the address bits being bit-wise XORed with the clock bits as shown in the “Connection state” column of Table 2.2 (the two most significant



bits, MSBs, are XORed together, the two second MSBs are XORed together, etc.).

	Page scan / Generalized Interlaced Page Scan / Inquiry scan / Generalized Interlaced Inquiry Scan	Page/Inquiry	Central page response / Peripheral page response / Inquiry response	Connection state
X	$CLKN_{16-12} /$ $(CLKN_{16-12} +$ interlace offset) $mod32$ $Xir_{4-0} /$ $(Xir_{4-0} +$ interlace offset) $mod32$	Xp_{4-0} / Xi_{4-0}	$Xprc_{4-0} /$ $Xprp_{4-0} /$ Xir_{4-0}	CLK_{6-2}
Y1	0	$CLKE_1 / CLKN_1$	$CLKE_1 / CLKN_1 / 1$	CLK_1
Y2	0	$32 \times CLKE_1 /$ $32 \times CLKN_1$	$32 \times CLKE_1 /$ $32 \times CLKN_1 /$ 32×1	$32 \times CLK_1$
A	A_{27-23}	A_{27-23}	A_{27-23}	$A_{27-23} \oplus CLK_{25-21}$
B	A_{22-19}	A_{22-19}	A_{22-19}	A_{22-19}
C	$A_{8,6,4,2,0}$	$A_{8,6,4,2,0}$	$A_{8,6,4,2,0}$	$A_{8,6,4,2,0} \oplus CLK_{20-16}$
D	A_{18-10}	A_{18-10}	A_{18-10}	$A_{18-10} \oplus CLK_{15-7}$
E	$A_{13,11,9,7,5,3,1}$	$A_{13,11,9,7,5,3,1}$	$A_{13,11,9,7,5,3,1}$	$A_{13,11,9,7,5,3,1}$
F	0	0	0	$16 \times CLK_{27-7} mod 79$
F'	n/a	n/a	n/a	$16 \times CLK_{27-7} mod N$

Table 2.2: Control for hop system

The five X input bits vary depending on the current state of the device. In the Page Scan and Inquiry Scan substates, the native clock (CLKN) shall be used. In Connection state the Central's clock (CLK) shall be used as input. The situation is somewhat more complicated for the other states.



The address bits A_0 to A_{27} depend on the sequence selection input as specified in [Table 2.3](#).

Sequence	A_{23-0}	A_{27-24}
Page scan Page Central page response Peripheral page response	LAP of the device being paged	UAP ₃₋₀ of the device being paged
Inquiry scan Inquiry Inquiry response	GIAC (0x9E8B33)	DCI (0x00)
Basic channel Adapted channel	LAP of the Central	UAP ₃₋₀ of the Central

Table 2.3: Address bits for each sequence selection input

2.6.4.1 Page scan and inquiry scan hopping sequences

For the transmitted access code and in the receiver correlator, the appropriate GIAC or DIAC shall be used. The application decides which inquiry access code to use depending on the purpose of the inquiry.

2.6.4.2 Page hopping sequence

When the sequence selection input is set to page, the paging device shall start using the **A**-train, i.e., $\{f(k-8), \dots, f(k), \dots, f(k+7)\}$, where $f(k)$ is the source's estimate of the current receiver frequency in the paged device. The index k is a function of all the inputs in [Figure 2.16](#). There are 32 possible paging frequencies within each 1.28 second interval. Half of these frequencies belong to the **A**-train, the rest (i.e., $\{f(k+8), \dots, f(k+15), f(k-16), \dots, f(k-9)\}$) belong to the **B**-train. In order to achieve the -8 offset of the **A**-train, a constant of 24 shall be added to the clock bits (which is equivalent to -8 due to the $mod\ 32$ operation). The **B**-train is obtained by setting the offset to 8. In the case where slots to receive the first Peripheral response are periodically not available, an additional offset (k_{nudge}) is added to the clock bits in order to shift the train by an integer multiple of 1.25 ms duration. A cyclic shift of the order within the trains is also necessary in order to avoid a possible repetitive mismatch between the paging and scanning devices. Thus,

$$X_p = [CLKE_{16-12} + k_{offset} + k_{nudge} + (CLKE_{4-2,0} - CLKE_{16-12} + 32) \text{ mod } 16] \text{ mod } 32, \tag{EQ 2}$$



where

$$k_{offset} = \begin{cases} 24 & \text{A-train,} \\ 8 & \text{B-train.} \end{cases} \quad (\text{EQ 3})$$

$$k_{nudge} = \begin{cases} 0 & \text{During } 1^{st} \ 2 \times N_{page} \text{ repetitions} \\ \text{Even} & \text{During all other repetitions.} \end{cases} \quad (\text{EQ 4})$$

Alternatively, each switch between the **A**- and **B**-trains may be accomplished by adding 16 to the current value of k_{offset} (originally initialized with 24).

2.6.4.3 Peripheral page response hopping sequence

When the sequence selection input is set to *Peripheral page response*, in order to eliminate the possibility of losing the link due to discrepancies of the native clock CLKN and the Central's clock estimate CLKE, the five bits CLKN₁₆₋₁₂ shall be frozen at their current value. The value shall be frozen at the content it has in the slot where the recipient's access code is detected. The native clock shall *not* be stopped; it is merely the values of the bits used for creating the X-input that are kept fixed for a while. A frozen value is denoted by an asterisk (*) in the discussion below.

For each response slot the paged device shall use an X-input value one larger (*mod* 32) than in the preceding response slot. However, the first response shall be made with the X-input kept at the same value as it was when the access code was recognized. Let N be a counter starting at zero. Then, the X-input in the $(N + 1)$ -th response slot (the first response slot being the one immediately following the page slot now responding to) of the Peripheral Page Response substate is:

$$X_{prp} = [\text{CLKN}^*_{16-12} + N] \text{ mod } 32, \quad (\text{EQ 5})$$

The counter N shall be set to zero in the slot where the Peripheral acknowledges the page (see [Figure 8.3](#) and [Figure 8.4](#)). Then, the value of N shall be increased by one each time CLKN₁ is set to zero, which corresponds to the start of a Central TX slot. The X-input shall be constructed this way until the first **FHS** packet is received *and* the immediately following response packet has been transmitted. After this the Peripheral shall enter the Connection state using the parameters received in the **FHS** packet.

2.6.4.4 Central page response hopping sequence

When the sequence selection input is set to *Central page response*, the Central shall freeze its estimate of the Peripheral's clock to the value that triggered a response from the paged device. It is equivalent to using the values of the clock estimate when receiving the Peripheral's response (since only CLKE₁ will differ from the corresponding page transmission). Thus, the values



are frozen when the Peripheral's **ID** packet is received. In addition to the clock bits used, the current values of k_{offset} and k_{nudge} shall also be frozen. The Central shall adjust its X-input in the same way the paged device does, i.e., by incrementing this value by one for each time $CLKE_1$ is set to zero. The first increment shall be done before sending the **FHS** packet to the paged device. Let N be a counter starting at one. The rule for forming the X-input is:

$$X_{prc} = [CLKE^*_{16-12} + k^*_{offset} + k^*_{nudge} + (CLKE^*_{4-2,0} - CLKE^*_{16-12}) \bmod 16 + N] \bmod 32, \quad (\text{EQ 6})$$

The value of N shall be increased each time $CLKE_1$ is set to zero, which corresponds to the start of a Central TX slot.

2.6.4.5 Inquiry hopping sequence

When the sequence selection input is set to *inquiry*, the X-input is similar to that used in the page hopping sequence. Since no particular device is addressed, the native clock $CLKN$ of the inquirer shall be used. Moreover, which of the two train offsets to start with is of no real concern in this state. Consequently,

$$X_i = [CLKN_{16-12} + k_{offset} + k_{nudge} + (CLKN_{4-2,0} - CLKN_{16-12}) \bmod 16] \bmod 32, \quad (\text{EQ 7})$$

where k_{offset} and k_{nudge} are defined by (EQ 3) and (EQ 4). The initial choice of k_{offset} is arbitrary.

2.6.4.6 Inquiry response hopping sequence

The inquiry response hopping sequence is similar to the Peripheral page response hopping sequence with respect to the X-input. The clock input shall not be frozen, thus the following equation applies:

$$X_{ir} = [CLKN_{16-12} + N] \bmod 32, \quad (\text{EQ 8})$$

Furthermore, the counter N is increased not on $CLKE_1$ basis, but rather after each **FHS** packet has been transmitted in response to the inquiry. There is no restriction on the initial value of N as it is independent of the corresponding value in the inquiring unit.

The X_{ir} value used for the extended inquiry response packet shall be the same X_{ir} value as calculated for the immediately preceding FHS packet.

2.6.4.7 Basic and adapted channel hopping sequence

In the basic and adapted channel hopping sequences, the clock bits to use in the basic or adapted hopping sequence generation shall always be derived from the Central's clock, CLK .



2.6.4.8 Synchronization train RF channels

The synchronization train and synchronization scan use RF channels from the set of three fixed RF channels with indices 0, 24, and 78.

2.7 SYNCHRONIZATION SCAN PHYSICAL CHANNEL

The synchronization scan physical channel enables devices to receive synchronization train packets.

2.7.1 Hopping characteristics

When a device enters the Synchronization Scan substate, it shall scan the synchronization train RF channels using the timing defined in [Section 2.7.3](#). Each individual scan window shall use a different RF channel than the previous two scan windows.

The synchronization scan physical channel shall use all of the synchronization train RF channels defined in [Section 2.6.4.8](#).

2.7.2 Synchronization Train procedure timing

The Central shall use the synchronization train procedure only when Connectionless Peripheral Broadcast mode is enabled or during the Coarse Clock Adjustment Recovery Mode ([Section 8.6.10.2](#)); these can happen concurrently. During the synchronization train procedure, the Central shall attempt to transmit synchronization train packets on all of the RF channels specified in [Section 2.6.4.8](#). The transmission of synchronization train packets on each RF channel is independent of the transmission on other RF channels. For each RF channel, the Central shall:

1. Establish synchronization train events that are separated by $T_{\text{Sync_Train_Interval}}$ slots. During Coarse Clock Adjustment Recovery Mode the value of $T_{\text{Sync_Train_Interval}}$ shall be 32. At all other times, it shall be the value selected by the Controller from a range provided by the Host ([\[Vol 4\] Part E, Section 7.3.90](#)).
2. Attempt to send a synchronization train packet between each pair of synchronization train events.
3. In the absence of scheduling conflicts, delay the start of the synchronization train packet transmission by $T_{\text{Sync_Train_Delay}}$ slots from the synchronization train event, where $T_{\text{Sync_Train_Delay}}$ is a (pseudo-)random number between 0 and $T_{\text{Sync_Train_Delay_Max}}$. Each value of $T_{\text{Sync_Train_Delay}}$ shall be an even integer. $T_{\text{Sync_Train_Delay_Max}}$ shall equal 4 slots during Coarse Clock Adjustment Recovery Mode and 16 slots at all other times. Each synchronization packet transmission shall start at the beginning of a time slot where $\text{CLK}[1:0]=0b00$.
4. If the transmission of the synchronization train packet conflicts with the timing of higher priority packets, the actual delay may be adjusted to avoid the conflict.



The actual delay should stay within the range 0 to $T_{\text{Sync_Train_Delay_Max}}$ and shall not be greater than or equal to $T_{\text{Sync_Train_Interval}}$. If it is not possible to transmit the complete packet before the next synchronization train event, it shall not be transmitted.

Increasing the delay beyond the recommended range (0 to $T_{\text{Sync_Train_Delay_Max}}$) increases the chance that the scanning device will miss the packet.

5. There shall be no more than one synchronization train packet transmitted between any two consecutive synchronization train events.
6. The actual delays used shall not all be the same for any three consecutive synchronization train packets (though any two may be).

Note: Subject to the above requirements, synchronization train events on different RF channels may be managed separately or may be co-ordinated using the same value of $T_{\text{Sync_Train_Delay}}$.

Figure 2.21 shows the timing relationship of consecutive synchronization train packets on a single RF channel.

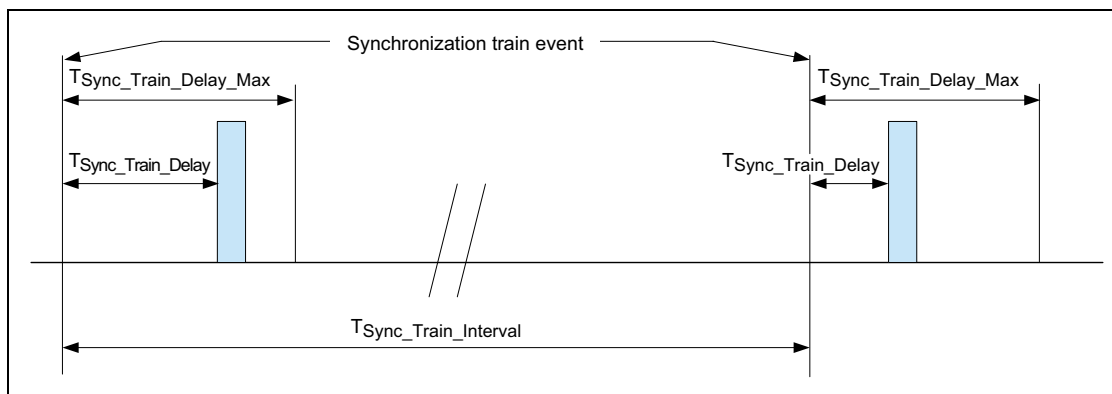


Figure 2.21: Synchronization train packet timing on a single channel

2.7.3 Synchronization Scan procedure timing

During the Synchronization Scan procedure, a device performs synchronization scans on the synchronization train RF channels. During each scan window, the device listens for the duration of $T_{\text{Sync_Scan_Window}}$. The RF channel for each scan window shall be selected as specified in Section 2.7.1. Each scan window should be continuous and not interrupted by other activities. The interval between the start of consecutive scan windows shall be equal to $T_{\text{Sync_Scan_Interval}}$. The values for $T_{\text{Sync_Scan_Window}}$ and $T_{\text{Sync_Scan_Interval}}$ shall be chosen as follows:

- During Connectionless Peripheral Broadcast, refer to [Vol 4] Part E, Section 7.1.52.
- During Coarse Clock Adjustment Recovery Mode, the values chosen are implementation specific.



This timing relationship is shown in [Figure 2.22](#).

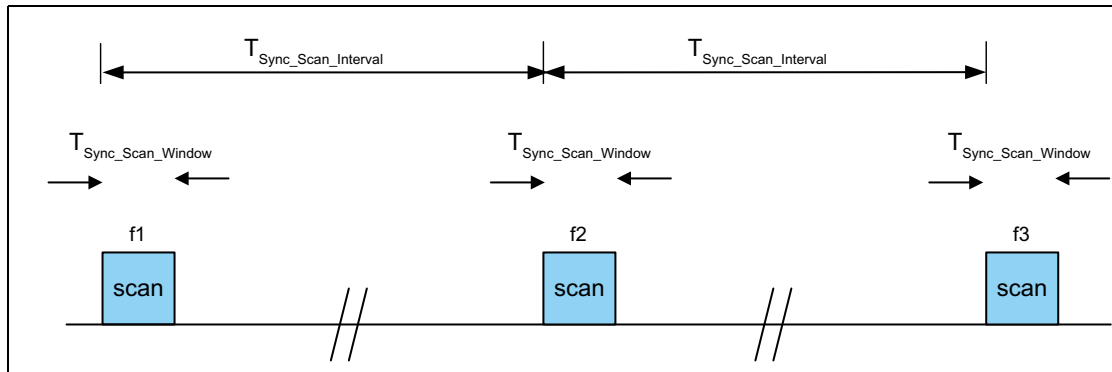


Figure 2.22: Synchronization scan timing



3 PHYSICAL LINKS

A physical link represents a Baseband connection between devices. A physical link is always associated with exactly one physical channel. Physical links have common properties that apply to all logical transports on the physical link.

Other than the Connectionless Peripheral Broadcast physical link, common properties of physical links are:

- Power control (see [\[Vol 2\] Part C, Section 4.1.3](#))
- Link supervision (see [Section 3.1](#) and [\[Vol 2\] Part C, Section 4.1.6](#))
- Encryption (see [\[Vol 2\] Part H, Section 4](#) and [\[Vol 2\] Part C, Section 4.2.5](#))
- Channel quality-driven data rate change (see [\[Vol 2\] Part C, Section 4.1.7](#))
- Multi-slot packet control (see [\[Vol 2\] Part C, Section 4.1.10](#))

and for physical links on the adapted piconet physical channel:

- AFH channel map (see [Section 2.3](#) and [\[Vol 2\] Part C, Section 4.1.4](#))

The Connectionless Peripheral Broadcast physical link is associated with the BR/EDR adapted piconet physical channel, a single logical transport (the CPB logical transport), and does not support the Link Manager protocol. For information on link supervision on Connectionless Peripheral Broadcast physical links, see [Section 3.2](#). Multi-slot packets on Connectionless Peripheral Broadcast physical links are controlled by the Host and specified at the profile level.

3.1 LINK SUPERVISION FOR ACTIVE PHYSICAL LINKS

A connection can break down due to various reasons such as a device moving out of range, encountering severe interference or a power failure condition. Since this can happen without any prior warning, it is important to monitor the link on both the Central and the Peripheral side to avoid possible collisions when the logical transport address (see [Section 4.2](#)) is reassigned to another Peripheral.

To be able to detect link loss, both the Central and the Peripheral shall use a link supervision timer, $T_{supervision}$. Upon reception of a valid packet header with one of the Peripheral's addresses (see [Section 4.2](#)) on the physical link, the timer shall be reset. If at any time in Connection state, the timer reaches the *supervisionTO* value, the connection shall be considered disconnected. The same link supervision timer shall be used for SCO, eSCO, and ACL logical transports.

The timeout period, *supervisionTO*, is negotiated by the Link Manager. Its value shall be chosen so that the supervision timeout will be longer than hold and sniff periods.



3.2 LINK SUPERVISION FOR CONNECTIONLESS PERIPHERAL BROADCAST PHYSICAL LINKS

For Connectionless Peripheral Broadcast physical links, only the Receiver side monitors the link. To detect link loss, the Receiver shall use a link supervision timer, $T_{CPB_Supervision}$. Each Connectionless Peripheral Broadcast Receiver shall reset the timer upon reception of a Connectionless Peripheral Broadcast packet with a valid packet header. If at any time in Connectionless Peripheral Broadcast mode of the Connection state, the timer reaches the $CPB_supervisionTO$ value, the connection shall be considered disconnected.

For each Receiver, the timeout period, $CPB_supervisionTO$, can be provided by the Host (see [Section B.1.7](#)).

3.3 AUTHENTICATED PAYLOAD TIMEOUT FOR ACTIVE LINKS

For active physical links, when encryption is enabled and AES-CCM is used, a device monitors the time between receiving packets from the remote device containing a MIC. To ensure the integrity of the link, an Authenticated Payload timer, $T_{Authenticated_Payload}$, is used. Each device shall reset the timer upon reception of a packet with a valid MIC. The timer shall not be reset upon the reception of a retransmitted packet. If at any time in the Connection state, the timer reaches the $authenticatedPayloadTO$ value, the Host shall be notified. The timeout period, $authenticatedPayloadTO$, shall be provided by the Host.

The device shall reset the timer each time after the Host is notified. The Controller shall reset the timer when the Host writes the $authenticatedPayloadTO$ value.



4 LOGICAL TRANSPORTS

4.1 GENERAL

Between Central and Peripheral(s), different types of logical transports may be established. Five logical transports have been defined:

- Synchronous Connection-Oriented (SCO) logical transport
- Extended Synchronous Connection-Oriented (eSCO) logical transport
- Asynchronous Connection-Oriented (ACL) logical transport
- Active Peripheral Broadcast (APB) logical transport
- Connectionless Peripheral Broadcast (CPB) logical transport.

The synchronous logical transports are point-to-point logical transports between a Central and a single Peripheral in the piconet. The synchronous logical transports typically support time-bounded information like voice or general synchronous data. The Central maintains the synchronous logical transports by using reserved slots at regular intervals. In addition to the reserved slots the eSCO logical transport may have a retransmission window after the reserved slots.

The ACL logical transport is also a point-to-point logical transport between the Central and a Peripheral. In the slots not reserved for synchronous logical transport(s), the Central can establish an ACL logical transport on a per-slot basis to any Peripheral, including the Peripheral(s) already engaged in a synchronous logical transport.

The APB logical transport is used by a Central to communicate with active Peripherals.

The CPB logical transport is used by a Central to send profile broadcast data to zero or more Peripherals.

4.2 LOGICAL TRANSPORT ADDRESS (LT_ADDR)

Each Peripheral active in a piconet is assigned a primary 3-bit logical transport address (LT_ADDR). The all-zero LT_ADDR is reserved for APB broadcast messages. The CPB logical transport uses a single non-zero LT_ADDR. The Central does not have an LT_ADDR. A Central's timing relative to the Peripherals' distinguishes it from the Peripherals. A secondary LT_ADDR is assigned to the Peripheral for each eSCO logical transport in use in the piconet. The secondary LT_ADDR shall not be 0. Only eSCO traffic (i.e. NULL, POLL, and one of the EV packet types as negotiated at eSCO logical transport setup) may be sent on these LT_ADDRs. ACL traffic (including LMP) shall always be sent on the primary LT_ADDR. A Peripheral shall only accept packets with matching primary or secondary LT_ADDR and broadcast packets. The LT_ADDR is carried in the packet header (see [Section 6.4](#)). The LT_ADDR shall



only be valid for as long as a Peripheral is connected. As soon as it is disconnected, the Peripheral shall lose all of its LT_ADDRs.

The primary LT_ADDR shall be assigned by the Central to the Peripheral when the Peripheral is activated. This is either at connection establishment or role switch, when the primary LT_ADDR is carried in the **FHS** payload.

At any given time an LT_ADDR (other than the special case of the all-zero LT_ADDR) is either unused or is used for exactly one of the three purposes of the primary address for a Peripheral, a secondary address for eSCO traffic, or for a CPB logical transport. Therefore allocating a secondary LT_ADDR for an eSCO logical transport, or reserving an LT_ADDR for the CPB logical transport, reduces the maximum number of active Peripherals possible in the piconet.

4.3 SYNCHRONOUS LOGICAL TRANSPORTS

The first type of synchronous logical transport, the SCO logical transport, is a symmetric, point-to-point transport between the Central and a specific Peripheral. The SCO logical transport reserves slots and can therefore be considered as a circuit-switched connection between the Central and the Peripheral. The Central may support up to three SCO links to the same Peripheral or to different Peripherals. A Peripheral may support up to three SCO links from the same Central, or two SCO links if the links originate from different Centrals. SCO packets are never retransmitted.

The second type of synchronous logical transport, the eSCO logical transport, is a point-to-point logical transport between the Central and a specific Peripheral. eSCO logical transports may be symmetric or asymmetric. Similar to SCO, eSCO reserves slots and can therefore be considered a circuit-switched connection between the Central and the Peripheral. In addition to the reserved slots, eSCO supports a retransmission window immediately following the reserved slots. Together, the reserved slots and the retransmission window form the complete eSCO window.

4.4 ASYNCHRONOUS LOGICAL TRANSPORT

In the slots not reserved for synchronous logical transports, the Central may exchange packets with any Peripheral on a per-slot basis. The ACL logical transport provides a packet-switched connection between the Central and all active Peripherals participating in the piconet. Both asynchronous and isochronous services are supported. Only a single ACL logical transport shall exist between any two devices. For most ACL packets, packet retransmission is applied to assure data integrity.

ACL packets not addressed to a specific Peripheral (LT_ADDR=0) are considered as broadcast packets and should be received by every Peripheral except Peripherals with only a CPB logical transport. If there is no data to be



sent on the ACL logical transport and no polling is required, no transmission is required.

4.5 TRANSMIT/RECEIVE ROUTINES

This section describes the way to use the packets as defined in [Section 6](#) in order to support the traffic on the ACL, SCO and eSCO logical transports. Both single-Peripheral and multi-Peripheral configurations are considered. In addition, the use of buffers for the TX and RX routines are described.

4.5.1 TX routine

The TX routine is carried out separately for each asynchronous and synchronous logical transport. [Figure 4.1](#) shows the asynchronous and synchronous buffers as used in the TX routine. In this figure, only a single TX asynchronous buffer and a single TX synchronous buffer are shown. In the Central, there is a separate TX asynchronous buffer for each Peripheral. In addition there can be one or more TX synchronous buffers for each synchronous Peripheral (different SCO or eSCO logical transports could either reuse the same TX synchronous buffer, or each have their own TX synchronous buffer). Each TX buffer consists of two FIFO registers: one **current** register which can be accessed and read by the Link Controller in order to compose the packets, and one **next** register that can be accessed by the Baseband Resource Manager to load new information. The positions of the switches S1 and S2 determine which register is current and which register is next; the switches are controlled by the Link Controller. The switches at the input and the output of the FIFO registers can never be connected to the same register simultaneously.

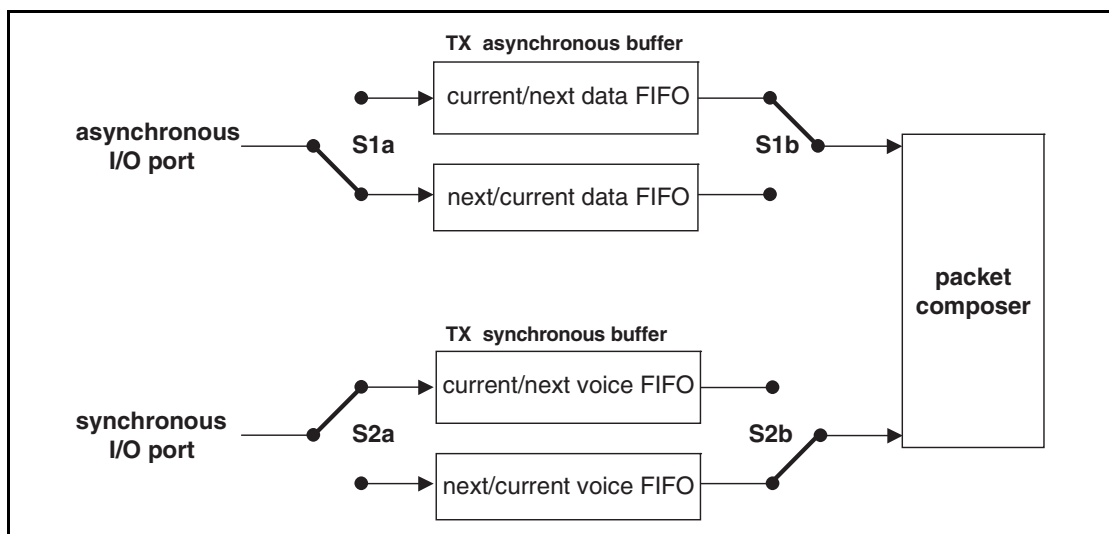


Figure 4.1: Functional diagram of TX buffering

Of the packets common to the ACL and SCO logical transports (**NULL**, **POLL** and **DM1**), only the **DM1** packet carries a payload that is exchanged between



the Link Controller and the Link Manager; this packet makes use of the asynchronous buffer. All ACL packets make use of the asynchronous buffer. All SCO and eSCO packets make use of the synchronous buffer except for the **DV** packet where the synchronous data part is handled by the synchronous buffer and the data part is handled by the asynchronous buffer. In the next sections, the operation for ACL traffic, SCO traffic, eSCO traffic, and combined data-voice traffic on the SCO logical transport are described.

4.5.1.1 ACL traffic

In the case of asynchronous data only the TX ACL buffer in [Figure 4.1](#) has to be considered. In this case, only packet types **DM** or **DH** are used, and these can have different lengths. The length is indicated in the payload header. The selection of **DM** or **DH** packets should depend on the quality of the link. See [\[Vol 2\] Part C, Section 4.1.7](#).

The default packet type in pure data traffic is **NULL** (see [Section 6.5.1.2](#)). This means that, if there is no data to be sent (the data traffic is asynchronous, and therefore pauses occur in which no data is available) or no Peripherals need to be polled, **NULL** packets are sent instead – in order to send link control information to the other device (e.g. ACK/STOP information for received data). When no link control information is available (either no need to acknowledge and/or no need to stop the RX flow) no packet is sent at all.

The TX routine works as follows. The Baseband Resource Manager loads new data information in the register to which the switch S1a points. Next, it gives a command to the Link Controller, which forces the switch S1 to change (both S1a and S1b switch synchronously). When the payload needs to be sent, the packet composer reads the current register and, depending on the packet type, builds a payload which is appended to the channel access code and the header and is subsequently transmitted. In the response packet (which arrives in the following RX slot if it concerned a Central transmission, or may be postponed until some later RX slot if it concerned a Peripheral transmission), the result of the transmission is reported back. In case of an ACK, the switch S1 changes position; if a NAK (explicit or implicit) is received instead, the switch S1 will not change position. In that case, the same payload is retransmitted at the next TX occasion.

As long as the Baseband Resource Manager keeps loading the registers with new information, the Link Controller will automatically transmit the payload; in addition, retransmissions are performed automatically in case of errors. The Link Controller will send **NULL** or nothing when no new data is loaded. If no new data has been loaded in the **next** register, during the last transmission, the packet composer will be pointing to an empty register after the last transmission has been acknowledged and the **next** register becomes the **current** register. If new data is loaded in the **next** register, a Flush command is required to switch the S1 switch to the proper register. As long as the Baseband Resource Manager keeps loading the data and type registers before each TX slot, the data is automatically processed by the Link Controller since the S1 switch is



controlled by the ACK information received in response. However, if the traffic from the Baseband Resource Manager is interrupted once and a default packet is sent instead, a Flush command is necessary to continue the flow in the Link Controller.

The Flush command may also be used in case of time-bounded (isochronous) data. In case of a bad link, many retransmissions are necessary. In certain applications, the data is time-bounded: if a payload is retransmitted all the time because of link errors, it may become outdated, and the system might decide to continue with more recent data instead and skip the payload that does not come through. This is accomplished by the Flush command as well. With the **flush**, the switch S1 is forced to change and the Link Controller is forced to consider the next data payload and overrules the ACK control. Any ACL type of packet can be used to send data or link control information to any other ACL Peripheral.

4.5.1.2 SCO traffic

On the SCO logical transport only **HV** and **DV** packet types are used, See [Section 6.5.2](#). The synchronous port may continuously load the **next** register in the synchronous buffer. The S2 switches are changed according to the T_{SCO} interval. This T_{SCO} interval is negotiated between the Central and the Peripheral at the time the SCO logical transport is established.

For each new SCO slot, the packet composer reads the **current** register after which the S2 switch is changed. If the SCO slot has to be used to send control information with high priority concerning a control packet between the Central and the SCO Peripheral, or a control packet between the Central and any other Peripheral, the packet composer will discard the SCO information and use the control information instead. This control information shall be sent in a DM1 packet. Data or link control information may also be exchanged between the Central and the SCO Peripheral by using the **DV** or **DM1** packets.

4.5.1.3 Mixed data/voice traffic

In [Section 6.5.2](#), a **DV** packet has been defined that can support both data and voice simultaneously on a single SCO logical transport. When the TYPE is **DV**, the Link Controller reads the data register to fill the data field and the voice register to fill the voice field. Thereafter, the switch S2 is changed. However, the position of S1 depends on the result of the transmission as on the ACL logical transport: only if an ACK has been received will the S1 switch change its position. In each **DV** packet, the voice information is new, but the data information might be retransmitted if the previous transmission failed. If there is no data to be sent, the SCO logical transport will automatically change from **DV** packet type to the current **HV** packet type used before the mixed data/voice transmission.

A Flush command is necessary when the data stream has been interrupted and new data has arrived.



Combined data-voice transmission can also be accomplished by using a separate ACL logical transport in addition to the SCO logical transport(s) if channel capacity permits this.

4.5.1.4 eSCO traffic

On the eSCO logical transport only **EV**, **POLL** and **NULL** packet types are used, see [Section 6.5.3](#). The synchronous port may continuously load the next register in the synchronous buffer. The S2 switches are changed according to the T_{eSCO} interval. This T_{eSCO} interval is negotiated between the Central and the Peripheral at the time the eSCO logical transport is established.

For each new eSCO slot, the packet composer reads the current register after which the S2 switch is changed. If the eSCO slot has to be used to send control information with high priority concerning a control packet between the Central and the eSCO Peripheral, or an ACL packet between the Central and any other Peripheral, the packet composer will discard the eSCO information and use the control information instead. Control information to the eSCO Peripheral is sent in a DM1 packet on the primary LT_ADDR.

4.5.1.5 Default packet types

On the ACL links, the default type is always **NULL** both for the Central and the Peripheral. This means that if no user information needs to be sent, either a **NULL** packet is sent if there is **ACK** or **STOP** information, or no packet is sent at all. The **NULL** packet can be used by the Central to allocate the next Peripheral-to-Central slot to a certain Peripheral (namely the one addressed). However, the Peripheral is not forced to respond to the **NULL** packet from the Central. If the Central requires a response, it sends a **POLL** packet.

The SCO and eSCO packet types are negotiated at the LM level when the SCO or eSCO logical transport is established. The agreed packet type is also the default packet type for the reserved SCO or eSCO slots.

4.5.2 RX routine

The RX routine is carried out separately for the ACL logical transport and the synchronous logical transports. However, in contrast to the Central TX asynchronous buffer, a single RX buffer is shared among all Peripherals. For the synchronous buffer, how the different synchronous logical transports are distinguished depends on whether extra synchronous buffers are required or not. [Figure 4.2](#) shows the asynchronous and synchronous buffers as used in the RX routine. The RX asynchronous buffer consists of two FIFO registers: one register that can be accessed and loaded by the Link Controller with the payload of the latest RX packet, and one register that can be accessed by the Baseband Resource Manager to read the previous payload. The RX synchronous buffer also consists of two FIFO registers: one register which is

filled with newly arrived voice information, and one register which can be read by the voice processing unit.

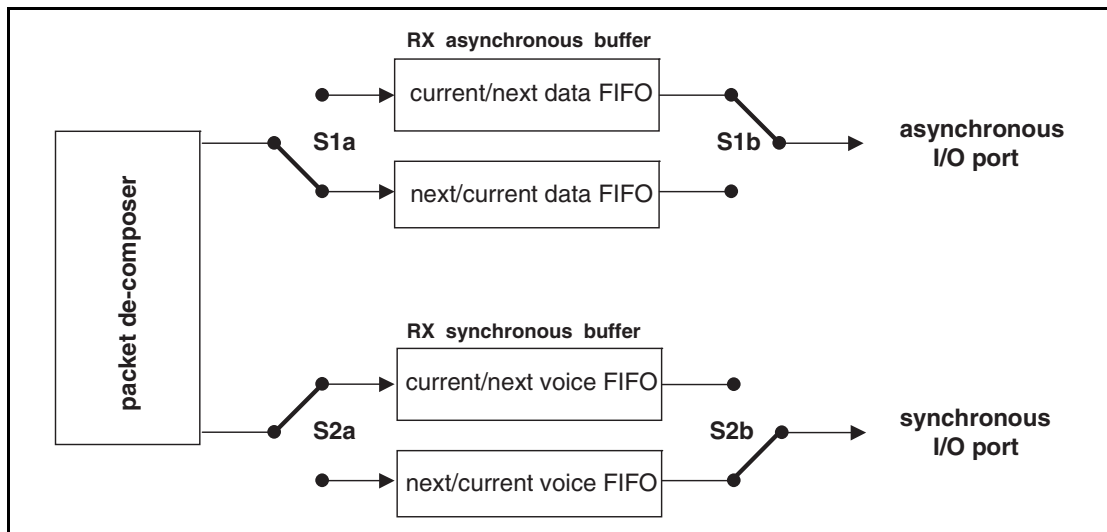


Figure 4.2: Functional diagram of RX buffering

Since the TYPE indication in the header (see [Section 6.4.2](#)) of the received packet indicates whether the payload contains data and/or voice, the packet de-composer can automatically direct the traffic to the proper buffers. The switch S1 changes every time the Baseband Resource Manager reads the old register. If the next payload arrives before the RX register is emptied, a STOP indication is included in the packet header of the next TX packet that is returned. The STOP indication is removed again as soon as the RX register is emptied. The SEQN field is checked before a new ACL payload is stored into the asynchronous register (flush indication in LLID and broadcast messages influence the interpretation of the SEQN field see [Section 7.6](#)).

The S2 switch is changed every T_{SCO} or T_{eSCO} for SCO and eSCO respectively. If, due to errors in the header, no new synchronous payload arrives, the switch still changes. The synchronous data processing unit then processes the synchronous data to account for the missing parts.

4.5.3 Flow control

Since the RX ACL buffer can be full while a new payload arrives, flow control is required. The header field FLOW in the return TX packet may use STOP or GO in order to control the transmission of new data.

4.5.3.1 Destination control

As long as data cannot be received, a STOP indication shall be transmitted which is automatically inserted by the Link Controller into the header of the return packet. STOP shall be returned as long as the RX ACL buffer is not emptied by the Baseband Resource Manager. When new data can be



accepted again, the GO indication shall be returned. GO shall be the default value. All packet types not including data can still be received. Voice communication for example is not affected by the flow control. Although a device can-not receive new information, it may still continue to transmit information: the flow control shall be separate for each direction.

4.5.3.2 Source control

On the reception of a STOP signal, the Link Controller shall automatically switch to the default packet type. The ACL packet transmitted just before the reception of the STOP indication shall be kept until a GO signal is received. It may be retransmitted as soon as a GO indication is received. Only default packets shall be sent as long as the STOP indication is received. When no packet is received, GO shall be assumed implicitly. The default packets contain link control information (in the header) for the receive direction (which may still be open) and may contain synchronous data (**HV** or **EV** packets). When a GO indication is received, the Link Controller may resume transmitting the data that is present in the TX ACL buffers.

In a multi-Peripheral configuration, only the transmission to the Peripheral that issued the STOP signal shall be stalled. This means that the Central shall only stop transmission from the TX ACL buffer corresponding to the Peripheral that momentarily cannot accept data.

4.6 ACTIVE PERIPHERAL BROADCAST TRANSPORT

The Active Peripheral Broadcast logical transport is used to transport L2CAP user traffic and certain LMP traffic to all devices in the piconet that are currently connected to the piconet physical channel that is used by the APB. There is no acknowledgment protocol and the traffic is uni-directional from the piconet Central to the Peripherals.

The APB logical transport is unreliable. To improve reliability somewhat each packet is transmitted a number of times. An identical sequence number is used to assist with filtering retransmissions at the Peripheral.

The APB logical transport is identified by the reserved, all-zero, LT_ADDR. Packets on the APB logical transport may be sent by the Central at any time.

4.7 [THIS SECTION IS NO LONGER USED]

4.8 CONNECTIONLESS PERIPHERAL BROADCAST LOGICAL TRANSPORT

The CPB logical transport is used to transport profile broadcast data from a Transmitter (Central) to multiple Receivers (Peripherals). There is no acknowledgment scheme and the traffic is unidirectional.



Note: The CPB logical transport is not used for L2CAP connection-oriented channels, L2CAP control signaling, or LMP control signaling.

The CPB logical transport is unreliable. To improve reliability each packet payload may be transmitted a number of times.



5 LOGICAL LINKS

The following logical links are defined:

- Link Control (LC)
- ACL Control (ACL-C and APB-C)
- User Asynchronous/Isochronous (ACL-U and APB-U)
- User Synchronous (SCO-S)
- User Extended Synchronous (eSCO-S)
- Profile Broadcast Data (PBD)

The control logical link LC is used at the link control level. The ACL-C and APB-C logical links are used at the link manager level. The ACL-U and APB-U logical links are used to carry either asynchronous or isochronous user information. The SCO-S, and eSCO-S logical links are used to carry synchronous user information. The PBD logical link is used to carry profile broadcast data. The LC logical link is carried in the packet header, all other logical links are carried in the packet payload. The ACL-C, ACL-U, APB-C, and APB-U logical links are indicated in the logical link ID, LLID, field in the payload header. The SCO-S and eSCO-S logical links are carried by the synchronous logical transports only; the ACL-U link is normally carried by the ACL logical transport; however, it may also be carried by the data in the DV packet on the SCO logical transport. The ACL-C link may be carried either by the SCO or the ACL logical transport. The APB-C and APB-U links are carried by the APB logical transport. The PBD logical link is carried by the CPB logical transport.

5.1 LINK CONTROL LOGICAL LINK (LC)

The LC control logical link shall be mapped onto the packet header. This logical link carries low level link control information like ARQ, flow control, and payload characterization. The LC logical link is carried in every packet except in the **ID** packet which does not have a packet header.

5.2 ACL CONTROL LOGICAL LINKS (ACL-C AND APB-C)

The ACL-C and APB-C logical links shall carry control information exchanged between the link managers of the Central and the Peripheral(s). The ACL-C logical link shall use DM1 or DV packets. DV packets shall only be used on the ACL-C link if the ACL-C message is less than or equal to 9 bytes and an HV1 synchronous logical transport is in use. The APB-C logical link shall use DM1 packets. The ACL-C and APB-C logical links are indicated by the LLID code 0b11 in the payload header.



5.3 USER ASYNCHRONOUS/ISOCRONOUS LOGICAL LINKS (ACL-U AND APB-U)

The ACL-U and APB-U logical links shall carry L2CAP asynchronous and isochronous user data. These messages may be transmitted in one or more Baseband packets. For fragmented messages, the start packet shall use an LLID code of 0b10 in the payload header. Remaining continuation packets shall use LLID code 0b01. If there is no fragmentation, all packets shall use the LLID start code 0b10.

For each logical link, the Controller shall transmit data over the air in the same order that it is received from the Host. The boundaries between packets over the air for a specific L2CAP PDU may be different from the boundaries in the data provided by the Host. Each new L2CAP PDU shall start a new packet over the air. (See [\[Vol 3\] Part A, Section 7.2.1](#) for related requirements in L2CAP.)

For each logical link, the Controller shall transmit the data received over the air to the Host (whether over HCI or otherwise) in the same order that it was received. The boundaries in the data sent to the Host for a specific L2CAP PDU may be different from the boundaries between packets received over the air. The Controller shall retain boundaries between L2CAP PDUs. Data from different logical links may be interleaved. (See [\[Vol 3\] Part A, Section 7.2.2](#) for related requirements in L2CAP.)

5.3.1 Pausing the ACL-U logical link

When paused by the LM, the Link Controller transmits the current packet with ACL-U information, if any, until an ACK is received. While the ACL-U logical link is paused, the Link Controller shall not transmit any (more) packets with ACL-U logical link information.

When the ACL-U logical link is resumed by the LM, the Link Controller may resume transmitting packets with ACL-U information.

5.4 USER SYNCHRONOUS DATA LOGICAL LINK (SCO-S)

The SCO-S logical link carries transparent synchronous user data. This logical link is carried over the synchronous logical transport SCO.

5.5 USER EXTENDED SYNCHRONOUS DATA LOGICAL LINK (eSCO-S)

The eSCO-S logical link also carries transparent synchronous user data. This logical link is carried over the extended synchronous logical transport eSCO.

5.6 LOGICAL LINK PRIORITIES

The ACL-C logical link shall have a higher priority than the ACL-U logical link when scheduling traffic on the shared ACL logical transport, except in the case



when retransmissions of unacknowledged ACL packets shall be given priority over traffic on the ACL-C logical link. The APB-C logical link shall have a higher priority than the APB-U logical link when scheduling traffic on the shared APB logical transport. The ACL-C logical link should also have priority over traffic on the SCO-S and eSCO-S logical links but opportunities for interleaving the logical links should be taken. The ACL-C, SCO-S, and eSCO-S logical links should have priority over traffic on the PBD logical link.

5.7 PROFILE BROADCAST DATA LOGICAL LINK

The PBD logical link carries profile broadcast data. Messages shall not be fragmented and shall always use LLID start code 0b10.

6 PACKETS

Bluetooth devices shall use the packets as defined in the following sections.

6.1 GENERAL FORMAT

6.1.1 Basic Rate

The general packet format of Basic Rate packets is shown in [Figure 6.1](#). Each packet consists of 3 entities: the access code, the header, and the payload. In the figure, the number of bits per entity is indicated.

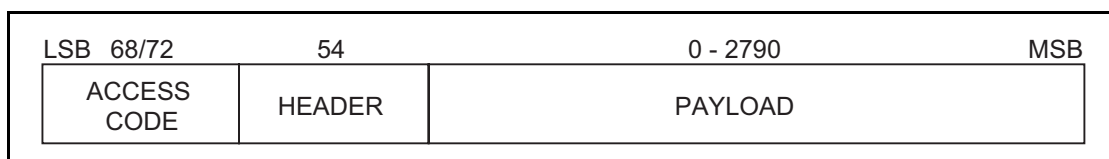


Figure 6.1: General Basic Rate packet format

The access code is 72 or 68 bits and the header is 54 bits. The payload ranges from zero to a maximum of 2790 bits. Different packet types have been defined. A packet may consist of:

- the shortened access code only (see [Section 6.5.1.1](#))
- the access code and the packet header
- the access code, the packet header and the payload.

6.1.2 Enhanced Data Rate

The general format of Enhanced Data Rate packets is shown in [Figure 6.2](#). The access code and packet header are identical in format and modulation to Basic Rate packets. Enhanced Data Rate packets have a guard time and synchronization sequence following the packet header. Following the payload are two trailer symbols. The guard time, synchronization sequence and trailer are defined in [Section 6.6](#).

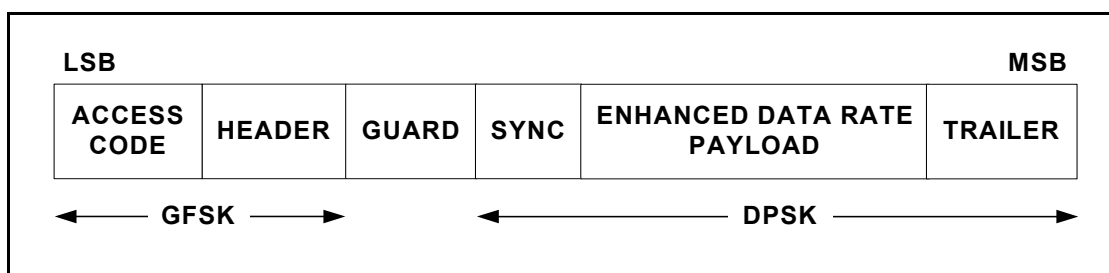


Figure 6.2: General Enhanced Data Rate packet format



6.2 BIT ORDERING

The bit ordering when defining packets and messages in the *Baseband Specification*, follows the little-endian format. The following rules apply:

- The *least significant bit* (LSB) corresponds to b_0 ;
- The LSB is the first bit sent over the air;
- In illustrations, the LSB is shown on the left side;

Furthermore, data fields generated internally at Baseband level, such as the packet header fields and payload header length, shall be transmitted with the LSB first. For instance, a 3-bit parameter $X=3$ is sent as:

$$b_0b_1b_2 = 110$$

over the air where 1 is sent first and 0 is sent last.

6.3 ACCESS CODE

Every packet starts with an access code. If a packet header follows, the access code is 72 bits long, otherwise the access code is 68 bits long and is known as a shortened access code. The shortened access code does not contain a trailer. This access code is used for synchronization, DC offset compensation and identification. The access code identifies all packets exchanged on a physical channel: all packets sent in the same physical channel are preceded by the same access code. In the receiver of the device, a sliding correlator correlates against the access code and triggers when a threshold is exceeded. This trigger signal is used to determine the receive timing.

The shortened access code is used in paging and inquiry. In this case, the access code itself is used as a signaling message and neither a header nor a payload is present.

The access code consists of a preamble, a sync word, and possibly a trailer, see [Figure 6.3](#). For details see [Section 6.3.1](#).

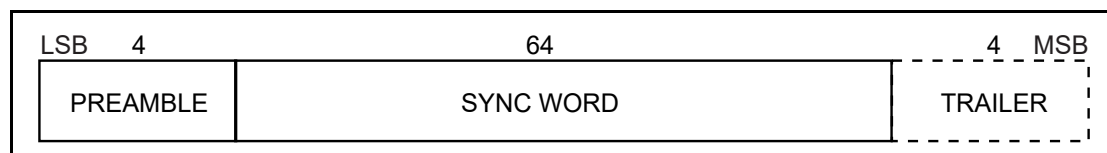


Figure 6.3: Access code format



6.3.1 Access code types

The different access code types use different Lower Address Parts (LAPs) to construct the sync word. The LAP field of the BD_ADDR is explained in [Section 1.2](#). A summary of the different access code types is in [Table 6.1](#).

Code type	LAP	Code length	Comments
CAC	Central	72	See also Section 1.3
DAC	Paged device	68/72 ¹	
GIAC	Reserved	68/72 ¹	
DIAC	Dedicated	68/72 ¹	

Table 6.1: Summary of access code types

1. length 72 is only used in combination with FHS packets

The CAC consists of a **preamble**, **sync word**, and **trailer** and its total length is 72 bits. When used as self-contained messages without a header, the DAC and IAC do not include the trailer bits and are of length 68 bits.

6.3.2 Preamble

The preamble is a fixed zero-one pattern of 4 symbols used to facilitate DC compensation. The sequence is either '1010' or '0101' (in transmission order), depending on whether the LSB of the following sync word is 1 or 0, respectively. The preamble is shown in [Figure 6.4](#).



Figure 6.4: Preamble

6.3.3 Sync word

The sync word is a 64-bit code word derived from a 24 bit address (LAP); for the CAC the Central's LAP is used; for the GIAC and the DIAC, reserved, dedicated LAPs are used; for the DAC, the Peripheral LAP is used. The construction results in a large Hamming distance between sync words based on different LAPs. In addition, the good auto correlation properties of the sync word improve timing acquisition.



6.3.3.1 Synchronization word definition

The sync words are based on a (64,30) expurgated block code with an overlay (bit-wise XOR) of a 64 bit full length pseudo-random noise (PN) sequence. The expurgated code results in a large Hamming distance ($d_{min} = 14$) between sync words based on different addresses. The PN sequence improves the auto correlation properties of the access code. The following steps describe how the sync word shall be generated:

1. Generate information sequence;
2. XOR this with the “information covering” part of the PN overlay sequence;
3. Generate the codeword;
4. XOR the codeword with all 64 bits of the PN overlay sequence;

The information sequence is generated by appending 6 bits to the 24 bit LAP (step 1). The appended bits are 001101 if the MSB of the LAP equals 0. If the MSB of the LAP is 1 the appended bits are 110010. The LAP MSB together with the appended bits constitute a length-seven Barker sequence. The purpose of including a Barker sequence is to further improve the auto correlation properties. In step 2 the information is pre-scrambled by XORing it with the bits $p_{34} \dots p_{63}$ of the PN sequence (defined in [Section 6.3.3.2](#)). After generating the codeword (step 3), the complete PN sequence is XORed to the codeword (step 4). This step de-scrambles the information part of the codeword. At the same time the parity bits of the codeword are scrambled. Consequently, the original LAP and Barker sequence are ensured a role as a part of the access code sync word, and the cyclic properties of the underlying code is removed. The principle is depicted in [Figure 6.5](#).

In the following discussion, binary sequences will be denoted by their corresponding D-transform (in which D^i represents a delay of i time units). Let $p'(D) = p'_0 + p'_1 D + \dots + p'_{62} D^{62}$ be the 63 bit PN sequence, where p'_0 is the first bit (LSB) leaving the PRNG (see [Figure 6.6](#)), and, p'_{62} is the last bit (MSB). To obtain 64 bits, an extra zero is appended at the *end* of this sequence (thus, $p'(D)$ is unchanged). For notational convenience, the reciprocal of this extended polynomial, $p(D) = D^{63} p'(1/D)$, will be used in the following discussion. This is the sequence $p'(D)$ in reverse order. We denote the 24 bit lower address part (LAP) of the Bluetooth Device Address by $a(D) = a_0 + a_1 D + \dots + a_{23} D^{23}$ (a_0 is the LSB of the Bluetooth Device Address).

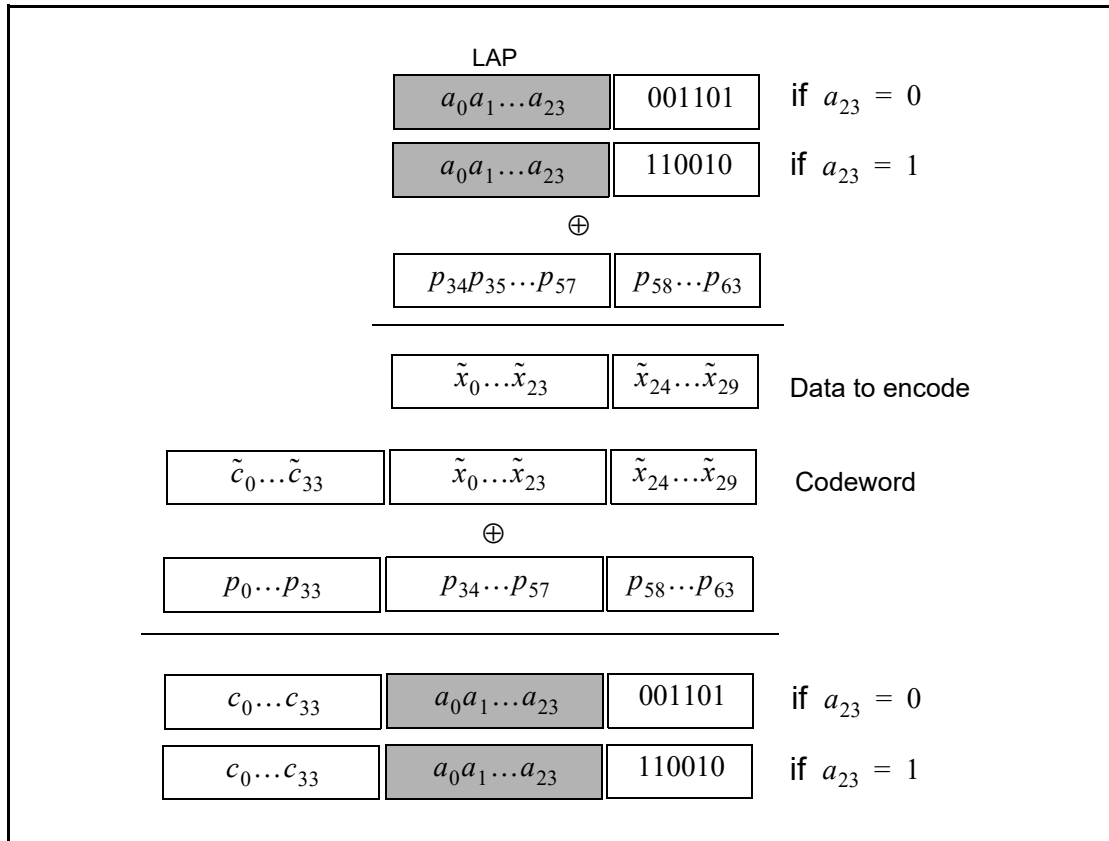


Figure 6.5: Construction of the sync word

The (64,30) block code generator polynomial is denoted $g(D) = (1 + D)g'(D)$, where $g'(D)$ is the generator polynomial 157464165547 (octal notation) of a primitive binary (63,30) BCH code. Thus, in octal notation $g(D)$ is

$$g(D) = 260534236651, \tag{EQ 9}$$

the left-most bit corresponds to the high-order (g_{34}) coefficient. The DC-free four bit sequences 0101 and 1010 can be written

$$\begin{cases} F_0(D) = D + D^3, \\ F_1(D) = 1 + D^2, \end{cases} \tag{EQ 10}$$

respectively. Furthermore,

$$\begin{cases} B_0(D) = D^2 + D^3 + D^5, \\ B_1(D) = 1 + D + D^4, \end{cases} \tag{EQ 11}$$

which are used to create the length seven Barker sequences. Then, the access code shall be generated by the following procedure:



1. Format the 30 information bits to encode:

$$x(D) = a(D) + D^{24}B_{a_{23}}(D).$$

2. Add the information covering part of the PN overlay sequence:

$$\tilde{x}(D) = x(D) + p_{34} + p_{35}D + \dots + p_{63}D^{29}.$$

3. Generate parity bits of the (64,30) expurgated block code:¹

$$\tilde{c}(D) = D^{34}\tilde{x}(D) \text{ mod } g(D).$$

4. Create the codeword:

$$\tilde{s}(D) = D^{34}\tilde{x}(D) + \tilde{c}(D).$$

5. Add the PN sequence:

$$s(D) = \tilde{s}(D) + p(D).$$

6. Append the (DC-free) preamble and trailer:

$$y(D) = F_{c_0}(D) + D^4s(D) + D^{68}F_{a_{23}}(D).$$

6.3.3.2 Pseudo-random noise sequence generation

To generate the PN sequence the primitive polynomial $h(D) = 1 + D + D^3 + D^4 + D^6$ shall be used. The LFSR and its starting state are shown in Figure 6.6. The PN sequence generated (including the extra terminating zero) becomes (hexadecimal notation) 83848D96BBCC54FC. The LFSR output starts with the left-most bit of this PN sequence. This corresponds to $p'(D)$ of the previous section. Thus, using the reciprocal $p(D)$ as overlay gives the 64 bit sequence:

$$p = 3F2A33DD69B121C1, \tag{EQ 12}$$

where the left-most bit is $p_0 = 0$ (there are two initial zeros in the binary representation of the hexadecimal digit 3), and $p_{63} = 1$ is the right-most bit.

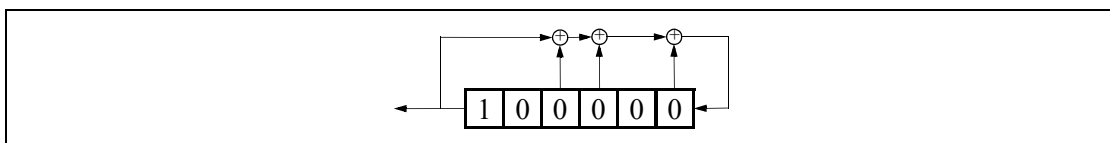


Figure 6.6: LFSR and the starting state to generate $p'(D)$

1. $x(D) \text{ mod } y(D)$ denotes the remainder when $x(D)$ is divided by $y(D)$.



6.3.4 Trailer

The trailer is appended to the sync word as soon as the packet header follows the access code. This is typically the case with the CAC, but the trailer is also used in the DAC and IAC when these codes are used in FHS packets exchanged during page response and inquiry response.

The trailer is a fixed zero-one pattern of four symbols. The trailer together with the three MSBs of the syncword form a 7-bit pattern of alternating ones and zeroes which can be used for extended DC compensation. The trailer sequence is either '1010' or '0101' (in transmission order) depending on whether the MSB of the sync word is 0 or 1, respectively. The choice of trailer is illustrated in [Figure 6.7](#).



Figure 6.7: Trailer in CAC when MSB of sync word is 0 (a), and when MSB of sync word is 1 (b)

6.4 PACKET HEADER

The header contains link control (LC) information and consists of 6 fields:

- LT_ADDR: 3-bit logical transport address
- TYPE: 4-bit type code
- FLOW: 1-bit flow control
- ARQN: 1-bit acknowledge indication
- SEQN: 1-bit sequence number
- HEC: 8-bit header error check

The total header, including the HEC, consists of 18 bits, see [Figure 6.8](#), and is encoded with a rate 1/3 FEC (not shown but described in [Section 7.4](#)) resulting in a 54-bit header. The LT_ADDR and TYPE fields shall be sent LSB first.

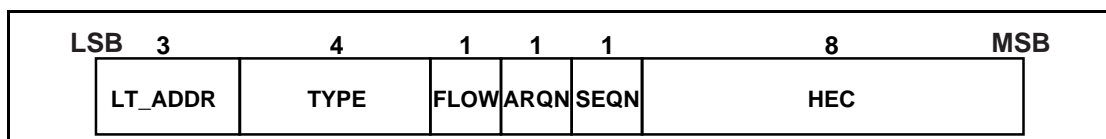


Figure 6.8: Header format

6.4.1 LT_ADDR

The 3-bit LT_ADDR field contains the logical transport address for the packet (see [Section 4.2](#)). This field indicates the destination Peripheral (or Peripherals



in the case of a broadcast) for a packet in a Central-to-Peripheral transmission slot and indicates the source Peripheral for a Peripheral-to-Central transmission slot.

6.4.2 TYPE

Sixteen different types of packets can be distinguished. The 4-bit TYPE code specifies which packet type is used. The interpretation of the TYPE code depends on the logical transport address in the packet. First, it shall be determined whether the packet is sent on a SCO logical transport, an eSCO logical transport, an ACL logical transport, or a CPB logical transport. Second, it shall be determined whether Enhanced Data Rate has been enabled for the logical transport (ACL or eSCO) indicated by LT_ADDR. It can then be determined which type of SCO packet, eSCO packet, or ACL packet has been received. The TYPE code determines how many slots the current packet will occupy (see the slot occupancy column in [Table 6.2](#)). This allows the non-addressed receivers to refrain from listening to the channel for the duration of the remaining slots. In [Section 6.5](#), each packet type is described in more detail.

6.4.3 FLOW

The FLOW bit is used for flow control of packets over the ACL logical transport. When the RX buffer for the ACL logical transport in the recipient is full, a STOP indication (FLOW=0) shall be returned to stop the other device from transmitting data temporarily. The STOP signal only affects ACL packets. Packets including only link control information (POLL and NULL packets), SCO packets or eSCO packets can still be received. When the RX buffer can accept data, a GO indication (FLOW=1) shall be returned. When no packet is received, or the received header is in error, a GO shall be assumed implicitly. In this case, the Peripheral can receive a new packet with CRC although its RX buffer is still not emptied. The Peripheral shall then return a NAK in response to this packet even if the packet passed the CRC check.

The FLOW bit is not used on the eSCO logical transport and shall be set to one on transmission and ignored upon receipt. The FLOW bit is reserved for future use on the CPB logical transport.

6.4.4 ARQN

The 1-bit acknowledgment indication ARQN is used to inform the source of a successful transfer of payload data with CRC, and can be positive acknowledge ACK or negative acknowledge NAK. See [Section 7.6](#) for initialization and usage of this bit.

The ARQN bit is reserved for future use on the CPB logical transport.



6.4.5 SEQN

The SEQN bit provides a sequential numbering scheme to order the data packet stream. See [Section 7.6.2](#) for initialization and usage of the SEQN bit. For Active Peripheral Broadcast packets, a modified sequencing method is used, see [Section 7.6.5](#).

The SEQN bit is reserved for future use on the CPB logical transport.

6.4.6 HEC

Each header has a header-error-check to check the header integrity. The HEC is an 8-bit word (generation of the HEC is specified in [Section 7.1.1](#)). Before generating the HEC, the HEC generator is initialized with an 8-bit value. For FHS packets sent in Central Page Response substate, the Peripheral upper address part (UAP) shall be used. For FHS packets and extended inquiry response packets sent in Inquiry Response substate, the default check initialization (DCI, see [Section 1.2.1](#)) shall be used. In all other cases, the UAP of the Central shall be used.

After the initialization, a HEC shall be calculated for the 10 header bits. Before checking the HEC, the receiver shall initialize the HEC check circuitry with the proper 8-bit UAP (or DCI). If the HEC does not check, the entire packet shall be discarded. More information can be found in [Section 7.1](#).

6.5 PACKET TYPES

The packets used on the piconet are related to the logical transports on which they are used. Four logical transports with distinct packet types are defined (see [Section 4](#)):

- SCO logical transport
- eSCO logical transport
- ACL logical transport
- CPB logical transport.

To indicate the different packets on a logical transport, the 4-bit TYPE code is used. The packet types are divided into four segments. The first segment is reserved for control packets. All control packets occupy a single time slot. The second segment is reserved for packets occupying a single time slot. The third segment is reserved for packets occupying three time slots. The fourth segment is reserved for packets occupying five time slots. The slot occupancy is reflected in the segmentation and can directly be derived from the type code. [Table 6.2](#) summarizes the packets defined for the SCO, eSCO, ACL, and CPB logical transport types; a dash means the value is reserved for future use.

All packet types with a payload shall use GFSK modulation unless specified otherwise in the following sections.



ACL logical transports Enhanced Data Rate packet types are explicitly selected via LMP using the *packet_type_table* (ptt) parameter. eSCO Enhanced Data Rate packet types are selected when the eSCO logical transport is established. Enhanced Data Rate packet types for the CPB logical transport are selected when the CPB logical transport is established.



Segment	TYPE code $b_3b_2b_1b_0$	Slot occu- pancy	SCO logical transport (1 Mb/s)	eSCO logical transport (1 Mb/s)	eSCO logical transport (2-3 Mb/s)	ACL logical transport (1 Mb/s) ptt=0	ACL logical transport (2-3 Mb/s) ptt=1	CPB logical transport (1 Mb/s)	CPB logical transport (2-3 Mb/s)
1	0000	1	NULL	NULL	NULL	NULL	NULL	NULL	NULL
	0001	1	POLL	POLL	POLL	POLL	POLL	—	—
	0010	1	FHS	—	—	FHS	FHS	—	—
	0011	1	DM1	—	—	DM1	DM1	DM1	DM1
2	0100	1	—	—	—	DH1	2-DH1	DH1	2-DH1
	0101	1	HV1	—	—	—	—	—	—
	0110	1	HV2	—	2-EV3	—	—	—	—
	0111	1	HV3	EV3	3-EV3	—	—	—	—
	1000	1	DV	—	—	—	3-DH1	—	3-DH1
	1001	1	—	—	—	AUX1	AUX1	—	—
3	1010	3	—	—	—	DM3	2-DH3	DM3	2-DH3
	1011	3	—	—	—	DH3	3-DH3	DH3	3-DH3
	1100	3	—	EV4	2-EV5	—	—	—	—
	1101	3	—	EV5	3-EV5	—	—	—	—
4	1110	5	—	—	—	DM5	2-DH5	DM5	2-DH5
	1111	5	—	—	—	DH5	3-DH5	DH5	3-DH5

Table 6.2: Packets defined for synchronous, asynchronous, and CPB logical transport types



6.5.1 Common packet types

There are five common kinds of packets. In addition to the types listed in segment 1 of [Table 6.2](#), the ID packet is also a common packet type but is not listed in segment 1 because it does not have a packet header.

6.5.1.1 ID packet

The identity or ID packet consists of the device access code (DAC) or inquiry access code (IAC). It has a fixed length of 68 bits. It is a very robust packet since the receiver uses a bit correlator to match the received packet to the known bit sequence of the ID packet.

The ID packet shall only be used where explicitly stated in paging (see [Section 8.3](#)), inquiry (see [Section 8.4](#)), and role switch (see [Section 8.6.5](#)). It shall not be used where any other packet type is permitted.

6.5.1.2 NULL packet

The NULL packet has no payload and consists of the channel access code and packet header only. Its total (fixed) length is 126 bits. The NULL packet may be used to return link information to the source regarding the success of the previous transmission (ARQN), or the status of the RX buffer (FLOW). The NULL packet does not require acknowledgment.

6.5.1.3 POLL packet

The POLL packet is very similar to the NULL packet. It does not have a payload. In contrast to the NULL packet, it requires a confirmation from the recipient. It is not a part of the ARQ scheme. The POLL packet does not affect the ARQN and SEQN fields. Upon reception of a POLL packet the Peripheral shall respond with a packet even when the Peripheral does not have any information to send unless the Peripheral has scatternet commitments in that timeslot. This return packet is an implicit acknowledgment of the POLL packet. This packet can be used by the Central in a piconet to poll the Peripherals. Peripherals shall not transmit the POLL packet. POLL packets shall not be sent on a Connectionless Peripheral Broadcast logical transport.

6.5.1.4 FHS packet

The FHS packet is a special control packet containing, among other things, the Bluetooth Device Address and the clock of the sender. The payload contains 144 information bits plus a 16-bit CRC code. The payload is coded with a rate 2/3 FEC with a gross payload length of 240 bits.

[Figure 6.9](#) illustrates the format and contents of the FHS payload. The FHS packet is used in Central page response, inquiry response and in role switch.

The FHS packet is not encrypted. No payload header or MIC is present.

The FHS packet contains real-time clock information. This clock information shall be updated before each retransmission. The retransmission of the FHS



payload is different than retransmissions of ordinary data payloads where the same payload is used for each retransmission. The FHS packet is used for frequency hop synchronization before the piconet channel has been established, or when an existing piconet changes to a new piconet. However, the FHS packet is not used by Connectionless Peripheral Broadcast Receivers for frequency hop synchronization with Connectionless Peripheral Broadcast Transmitters.

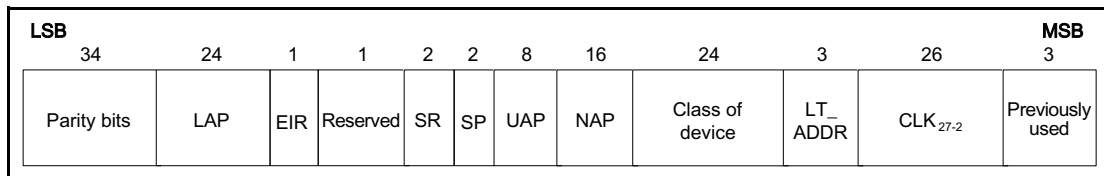


Figure 6.9: Format of the FHS payload

Each field is described in more detail below:

Parity bits	This 34-bit field contains the parity bits that form the first part of the sync word of the access code of the device that sends the FHS packet. These bits are derived from the LAP as described in Section 1.2 .
LAP	This 24-bit field shall contain the lower address part of the device that sends the FHS packet.
EIR	This bit shall indicate that an extended inquiry response packet may follow. See Section 8.4.3 .
Reserved	This 1-bit field is reserved for future use.
SR	This 2-bit field is the page scan repetition mode field and indicates the interval between two consecutive page scan windows, see also Table 6.4 and Table 8.1
SP	This 2-bit field shall be set to 0b10.
UAP	This 8-bit field shall contain the upper address part of the device that sends the FHS packet.
NAP	This 16-bit field shall contain the non-significant address part of the device that sends the FHS packet (see also Section 1.2 for LAP, UAP, and NAP).
Class of Device	This 24-bit field shall contain the Class of Device of the device that sends the FHS packet. The field is defined in Assigned Numbers .
LT_ADDR	This 3-bit field shall contain the logical transport address the recipient shall use if the FHS packet is used at connection setup or role switch. A Peripheral responding to a Central or a device responding to an inquiry request message shall include an all-zero LT_ADDR field if it sends the FHS packet.
CLK₂₇₋₂	This 26-bit field shall contain the value of the native clock of the device that sends the FHS packet, sampled at the beginning of the transmission of the access code of this FHS packet. This clock value has a resolution of 1.25 ms (two-slot interval). For each new transmission, this field is updated so that it accurately reflects the real-time clock value.

Table 6.3: Description of the FHS payload



The device sending the FHS shall set the SR bits according to [Table 6.4](#).

SR bit format b_1b_0	SR (page scan repetition) mode
00	R0
01	R1
10	R2
11	Reserved for future use

Table 6.4: Contents of SR field

The LAP, UAP, and NAP together form the 48-bit Bluetooth Device Address of the device that sends the FHS packet. Using the parity bits and the LAP, the recipient can directly construct the channel access code of the sender of the FHS packet.

When initializing the HEC and CRC for the FHS packet of inquiry response, the UAP shall be the DCI.

6.5.1.5 DM1 packet

DM1 is part of segment 1 in order to support control messages in any logical transport that allows the DM1 packet (see [Table 6.2](#)). However, it may also carry regular user data. Since the DM1 packet can be regarded as an ACL packet, it will be discussed in [Section 6.5.4](#).

6.5.2 SCO packets

HV and DV packets are used on the synchronous SCO logical transport. The HV packets do not include a MIC or CRC and shall not be retransmitted. DV packets include a CRC on the data section, but not on the synchronous data section. DV packets do not include a MIC. The data section of DV packets shall be retransmitted. SCO packets may be routed to the synchronous I/O port. Four packets are allowed on the SCO logical transport: HV1, HV2, HV3 and DV. These packets are typically used for 64 kb/s speech transmission but may be used for transparent synchronous data.

SCO packets shall only be encrypted with E0 when E0 is enabled. SCO packets shall not be sent when AES-CCM Encryption is enabled.

6.5.2.1 HV1 packet

The **HV1** packet has 10 information bytes. The bytes are protected with a rate 1/3 FEC. No MIC is present. No CRC is present. The payload length is fixed at 240 bits. There is no payload header present.



6.5.2.2 HV2 packet

The **HV2** packet has 20 information bytes. The bytes are protected with a rate 2/3 FEC. No MIC is present. No CRC is present. The payload length is fixed at 240 bits. There is no payload header present.

6.5.2.3 HV3 packet

The **HV3** packet has 30 information bytes. The bytes are not protected by FEC. No MIC is present. No CRC is present. The payload length is fixed at 240 bits. There is no payload header present.

6.5.2.4 DV packet

The DV packet is a combined data - voice packet. The DV packet shall only be used in place of an HV1 packet. The payload is divided into a voice field of 80 bits and a data field containing up to 150 bits, see [Figure 6.10](#). The voice field is not protected by FEC. The data field has between 1 and 10 information bytes (including the 1-byte payload header) plus a 16-bit CRC code. No MIC is present. The data field (including the CRC) is encoded with a rate 2/3 FEC. Since the **DV** packet has to be sent at regular intervals due to its synchronous contents, it is listed under the SCO packet types. The voice and data fields shall be treated separately. The voice field shall be handled in the same way as normal SCO data and shall never be retransmitted; that is, the voice field is always new. The data field is checked for errors and shall be retransmitted if necessary. When the asynchronous data field in the DV packet has not been acknowledged before the SCO logical transport is terminated, the asynchronous data field shall be retransmitted in a DM1 packet.

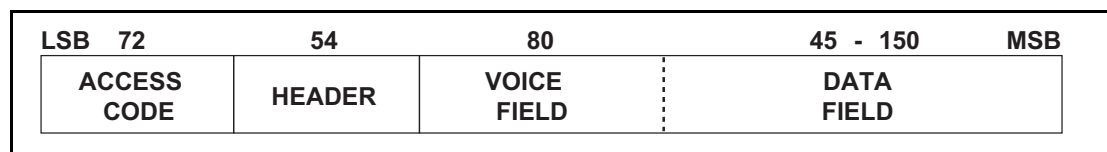


Figure 6.10: DV packet format

6.5.3 eSCO packets

EV packets are used on the synchronous eSCO logical transport. The packets include a CRC and retransmission may be applied if no acknowledgment of proper reception is received within the retransmission window. No MIC is present. eSCO packets may be routed to the synchronous I/O port. Three eSCO packet types (EV3, EV4, EV5) are defined for Basic Rate operation and four additional eSCO packet types (2-EV3, 3-EV3, 2-EV5, 3-EV5) for Enhanced Data Rate operation. The eSCO packets may be used for 64 kb/s speech transmission as well as transparent data at 64 kb/s and other rates.



6.5.3.1 EV3 packet

The **EV3** packet has between 1 and 30 information bytes plus a 16-bit CRC code. No MIC is present. The bytes are not protected by FEC. The EV3 packet may cover up to a single time slot. There is no payload header present. The payload length is set during the LMP eSCO setup and remains fixed until the link is removed or re-negotiated.

6.5.3.2 EV4 packet

The **EV4** packet has between 1 and 120 information bytes plus a 16-bit CRC code. No MIC is present. The EV4 packet may cover up to three time slots. The information plus CRC bits are coded with a rate 2/3 FEC. There is no payload header present. The payload length is set during the LMP eSCO setup and remains fixed until the link is removed or re-negotiated.

6.5.3.3 EV5 packet

The **EV5** packet has between 1 and 180 information bytes plus a 16-bit CRC code. No MIC is present. The bytes are not protected by FEC. The EV5 packet may cover up to three time slots. There is no payload header present. The payload length is set during the LMP eSCO setup and remains fixed until the link is removed or re-negotiated.

6.5.3.4 2-EV3 packet

The **2-EV3** packet is similar to the EV3 packet except that the payload is modulated using $\pi/4$ -DQPSK. It has between 1 and 60 information bytes plus a 16-bit CRC code. No MIC is present. The bytes are not protected by FEC. The 2-EV3 packet covers a single time slot. There is no payload header present. The payload length is set during the LMP eSCO setup and remains fixed until the link is removed or re-negotiated.

6.5.3.5 2-EV5 packet

The **2-EV5** packet is similar to the EV5 packet except that the payload is modulated using $\pi/4$ -DQPSK. It has between 1 and 360 information bytes plus a 16-bit CRC code. No MIC is present. The bytes are not protected by FEC. The 2-EV5 packet may cover up to three time slots. There is no payload header present. The payload length is set during the LMP eSCO setup and remains fixed until the link is removed or re-negotiated.

6.5.3.6 3-EV3 packet

The **3-EV3** packet is similar to the EV3 packet except that the payload is modulated using 8DPSK. It has between 1 and 90 information bytes plus a 16-bit CRC code. No MIC is present. The bytes are not protected by FEC. The 3-EV3 packet covers a single time slot. There is no payload header present. The



payload length is set during the LMP eSCO setup and remains fixed until the link is removed or re-negotiated.

6.5.3.7 3-EV5 packet

The **3-EV5** packet is similar to the EV5 packet except that the payload is modulated using 8DPSK. It has between 1 and 540 information bytes plus a 16-bit CRC code. No MIC is present. The bytes are not protected by FEC. The 3-EV5 packet may cover up to three time slots. There is no payload header present. The payload length is set during the LMP eSCO setup and remains fixed until the link is removed or re-negotiated.

6.5.4 ACL packets

ACL packets are used on the asynchronous logical transport and the CPB logical transport. The information carried may be user data for either logical transport or control data for the asynchronous logical transport.

Six packet types are defined for Basic Rate operation: DM1, DH1, DM3, DH3, DM5, and DH5. Six additional packets are defined for Enhanced Data Rate operation: 2-DH1, 3-DH1, 2-DH3, 3-DH3, 2-DH5 and 3-DH5. The AUX1 packet is also defined for test purposes.

The length indicator in the payload header specifies the number of user bytes (excluding payload header, MIC and the CRC code).

6.5.4.1 DM1 packet

The DM1 packet carries data information only. The payload has between 1 and 18 information bytes (including the 1-byte payload header) plus a 16-bit CRC code. A 32-bit MIC is present only when encryption with AES-CCM is enabled. The DM1 packet occupies a single time slot. The information bits, MIC bits (when present), plus CRC bits are coded with a rate 2/3 FEC. The payload header in the DM1 packet is 1 byte long, see [Figure 6.12](#).

6.5.4.2 DH1 packet

This packet is similar to the DM1 packet, except that the information in the payload is not FEC encoded. As a result, the DH1 packet has between 1 and 28 information bytes (including the 1-byte payload header) plus a 16-bit CRC code. A 32-bit MIC is present only when encryption with AES-CCM is enabled. The DH1 packet occupies a single time slot.

6.5.4.3 DM3 packet

The DM3 packet may occupy up to three time slots. The payload has between 2 and 123 information bytes (including the 2-byte payload header) plus a 16-bit CRC code. A 32-bit MIC is present only when encryption with AES-CCM is



enabled. The information bits, MIC bits (when present), plus CRC bits are coded with a rate 2/3 FEC. The payload header in the DM3 packet is 2 bytes long, see [Figure 6.13](#).

6.5.4.4 DH3 packet

This packet is similar to the DM3 packet, except that the information in the payload is not FEC encoded. As a result, the DH3 packet has between 2 and 185 information bytes (including the 2-byte payload header) plus a 16-bit CRC code. A 32-bit MIC is present only when encryption with AES-CCM is enabled. The DH3 packet may occupy up to three time slots.

6.5.4.5 DM5 packet

The DM5 packet may occupy up to five time slots. The payload has between 2 and 226 information bytes (including the 2-byte payload header) plus a 16-bit CRC code. A 32-bit MIC is present only when encryption with AES-CCM is enabled. The payload header in the DM5 packet is 2 bytes long. The information bits, MIC bits (when present), plus CRC bits are coded with a rate 2/3 FEC.

6.5.4.6 DH5 packet

This packet is similar to the DM5 packet, except that the information in the payload is not FEC encoded. As a result, the DH5 packet has between 2 and 341 information bytes (including the 2-byte payload header) plus a 16-bit CRC code. A 32-bit MIC is present only when encryption with AES-CCM is enabled. The DH5 packet may occupy up to five time slots.

6.5.4.7 AUX1 packet

This packet resembles a DH1 packet but has no MIC or CRC code. The AUX1 packet has between 1 and 30 information bytes (including the 1-byte payload header). The AUX1 packet occupies a single time slot. The AUX1 packet shall only be used in test mode (see [\[Vol 3\] Part D](#)). The Link Controller shall discard any AUX1 packet received in any other circumstances.

6.5.4.8 2-DH1 packet

This packet is similar to the DH1 packet except that the payload is modulated using $\pi/4$ -DQPSK. The 2-DH1 packet has between 2 and 56 information bytes (including the 2-byte payload header) plus a 16-bit CRC code. A 32-bit MIC is present only when encryption with AES-CCM is enabled. The 2-DH1 packet occupies a single time slot.



6.5.4.9 2-DH3 packet

This packet is similar to the DH3 packet except that the payload is modulated using $\pi/4$ -DQPSK. The 2-DH3 packet has between 2 and 369 information bytes (including the 2-byte payload header) plus a 16-bit CRC code. A 32-bit MIC is present only when encryption with AES-CCM is enabled. The 2-DH3 packet may occupy up to three time slots.

6.5.4.10 2-DH5 packet

This packet is similar to the DH5 packet except that the payload is modulated using $\pi/4$ -DQPSK. The 2-DH5 packet has between 2 and 681 information bytes (including the 2-byte payload header) plus a 16-bit CRC code. A 32-bit MIC is present only when encryption with AES-CCM is enabled. The 2-DH5 packet may occupy up to five time slots.

6.5.4.11 3-DH1 packet

This packet is similar to the DH1 packet except that the payload is modulated using 8DPSK. The 3-DH1 packet has between 2 and 85 information bytes (including the 2-byte payload header) plus a 16-bit CRC code. A 32-bit MIC is present only when encryption with AES-CCM is enabled. The 3-DH1 packet occupies a single time slot.

6.5.4.12 3-DH3 packet

This packet is similar to the DH3 packet except that the payload is modulated using 8DPSK. The 3-DH3 packet has between 2 and 554 information bytes (including the 2-byte payload header) plus a 16-bit CRC code. A 32-bit MIC is present only when encryption with AES-CCM is enabled. The 3-DH3 packet may occupy up to three time slots.

6.5.4.13 3-DH5 packet

This packet is similar to the DH5 packet except that the payload is modulated using 8DPSK. The 3-DH5 packet has between 2 and 1023 information bytes (including the 2-byte payload header) plus a 16-bit CRC code. A 32-bit MIC is present only when encryption with AES-CCM is enabled. The 3-DH5 packet may occupy up to five time slots.

6.6 PAYLOAD FORMAT

In the payload, two fields are distinguished: the synchronous data field and the asynchronous data field. The ACL packets only have the asynchronous data field and the SCO and eSCO packets only have the synchronous data field – with the exception of the DV packets which have both.



6.6.1 Synchronous data field

In SCO, which is only supported in Basic Rate mode, the synchronous data field has a fixed length and consists only of the synchronous data body portion. No payload header is present.

In Basic Rate eSCO, the synchronous data field consists of two segments: a synchronous data body and a CRC code. No payload header is present.

In Enhanced Data Rate eSCO, the synchronous data field consists of five segments: a guard time, a synchronization sequence, a synchronous data body, a CRC code and a trailer. No payload header is present.

1. Enhanced Data Rate guard time

For Enhanced Data Rate packets the guard time is defined as the period starting at the end of the last GFSK symbol of the header and ending at the start of the reference symbol of the synchronization sequence. The length of the guard time shall be between 4.75 μ s and 5.25 μ s.

2. Enhanced Data Rate synchronization sequence

For Enhanced Data Rate packets the symbol timing at the start of the synchronization sequence shall be within $\pm 1/4 \mu$ s of the symbol timing of the last GFSK symbol of the packet header. The length of the synchronization sequence is 11 μ s (11 DPSK symbols) and consists of a reference symbol (with arbitrary phase) followed by ten DPSK symbols.

The phase changes between the DPSK symbols (shown in Figure 6.11) shall be

$$\{\varphi_1, \varphi_2, \varphi_3, \varphi_4, \varphi_5, \varphi_6, \varphi_7, \varphi_8, \varphi_9, \varphi_{10}\} = \{3\pi/4, -3\pi/4, 3\pi/4, -3\pi/4, 3\pi/4, -3\pi/4, -3\pi/4, 3\pi/4, 3\pi/4, 3\pi/4\} \tag{EQ 13}$$

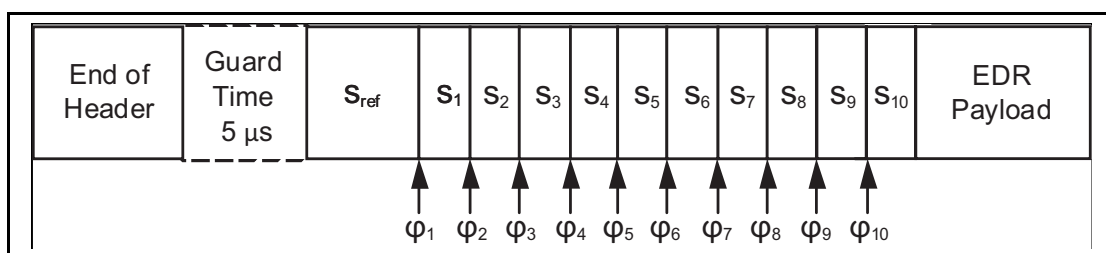


Figure 6.11: Synchronization sequence

S_{ref} is the reference symbol. φ_1 is the phase change between the reference symbol and the first DPSK symbol S_1 . φ_k is the phase change between the $(k-1)^{th}$ symbol S_{k-1} and the k^{th} symbol S_k

Note: The synchronization sequence may be generated using the modulator by pre-pending the data with bits that generate the synchronization sequence.



For $\pi/4$ -DQPSK, the bit sequence used to generate the synchronization sequence is 0,1,1,1,0,1,1,1,0,1,1,1,1,0,1,0,1,0,1.

For 8DPSK, the bit sequence used to generate the synchronization sequence is 0,1,0,1,1,1,0,1,0,1,1,1,0,1,0,1,1,1,1,1,0,1,0,0,1,0,0,1,0.

3. Synchronous data body

For HV and DV packets, the synchronous data body length is fixed. For EV packets, the synchronous data body length is negotiated during the LMP eSCO setup. Once negotiated, the synchronous data body length remains constant unless re-negotiated. The synchronous data body length may be different for each direction of the eSCO logical transport.

4. CRC code

The 16-bit CRC in the payload is generated as specified in [Section 7.1](#). The 8-bit UAP of the Central is used to initialize the CRC generator.

Only the Synchronous data body segment is used to generate the CRC code.

5. Enhanced Data Rate trailer

For Enhanced Data Rate packets, two trailer symbols shall be added to the end of the payload. The trailer bits shall be all zero, i.e. {00, 00} for the $\pi/4$ -DQPSK and {000, 000} for the 8DPSK.

6.6.2 Asynchronous data field

Basic rate ACL packets have an asynchronous data field consisting of two, three or four segments: a payload header, a payload body, possibly a MIC, and possibly a CRC code.

Enhanced Data Rate ACL packets have an asynchronous data field consisting of six or seven segments: a guard time, a synchronization sequence, a payload header, a payload body, possibly a MIC, a CRC and a trailer.

1. Enhanced Data Rate guard time

This is the same as defined for the Synchronous data field in [Section 6.6.1](#).

2. Enhanced Data Rate synchronization sequence

This is the same as defined for the Synchronous data field in [Section 6.6.1](#).

3. Payload header

The payload header is one or two bytes long. Basic rate packets in segments one and two have a 1-byte payload header; Basic Rate packets in segments three and four and all Enhanced Data Rate packets have a 2-byte payload header. The payload header specifies the logical link (2-bit LLID indication), controls the flow on the logical channels (1-bit FLOW indication), and has a payload length indicator (5 bits and 10 bits for 1-byte and 2-byte payload headers, respectively). In the case of a 2-byte payload header, the length indicator is extended by five bits into the next byte. The remaining three bits of the second byte are reserved for future use. The formats of the



1-byte and 2-byte payload headers are shown in [Figure 6.12](#) and [Figure 6.13](#).

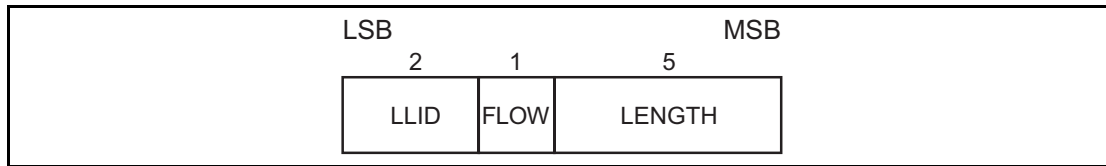


Figure 6.12: Payload header format for Basic Rate single-slot ACL packets

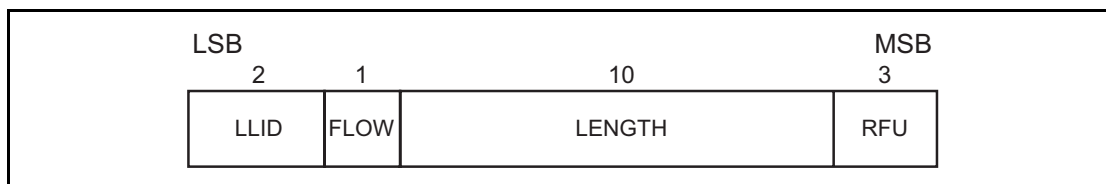


Figure 6.13: Payload header format for multi-slot ACL packets and all EDR ACL packets

The LLID field shall be transmitted first, the length field last. In [Table 6.5](#), more details about the contents of the LLID field are listed.

LLID	Logical Link	Information
0b00		Reserved for future use
0b01	ACL-U and APB-U	Continuation fragment of an L2CAP message
0b10	ACL-U and APB-U	Start of an L2CAP message or no fragmentation
	PBD	Profile broadcast data, no fragmentation
0b11	ACL-C and APB-C	LMP message

Table 6.5: Logical Link LLID field contents

An L2CAP message may be fragmented into several packets. Code 0b10 shall be used for an ACL-U or APB-U packet carrying the first fragment of such a message; code 0b01 shall be used for continuing fragments. The first fragment of an L2CAP message sent over HCI is identified by having a Packet_Boundary_Flag value of 0b00 or 0b10 both of which are mapped to LLID code 0b10. If there is no fragmentation, code 0b10 shall be used for every packet. ACL packets used over the PBD logical link do not use fragmentation. For ACL packets used over the PBD logical link, LLID code 0b10 shall be used by the transmitter. Any ACL packet used over the PBD logical link with LLID not equal to 0b10 shall be ignored by the receiver. Code 0b11 shall be used for LMP messages. Code 0b00 is reserved for future use.

The flow indicator in the payload is used to control the flow at the L2CAP level. It is used to control the flow per logical link. FLOW=1 means flow-on



(GO) and FLOW=0 means flow-off (STOP). After a new connection has been established the flow indicator shall be set to GO. When a device receives a payload header with the flow bit set to STOP, it shall stop the transmission of ACL-U packets before an additional amount of payload data is sent. This amount is defined as the flow control lag, expressed as a number of bytes. The shorter the flow control lag, the less buffering the other device must dedicate to this function. The flow control lag shall not exceed 1792 bytes (7×256 bytes). In order to allow devices to optimize the selection of packet length and buffer space, the flow control lag of a given implementation shall be provided in the LMP_FEATURES_RES message.

If a packet containing the payload flow bit of STOP is received, with a valid packet header but bad payload, the payload flow control bit shall be ignored. The Baseband acknowledgment contained in the packet header will be received and a further ACL packet may be transmitted. Each occurrence of this situation allows a further ACL packet to be sent in spite of the flow control request being sent via the payload header flow control bit. It is recommended that devices that use the payload header flow bit should ensure that no further ACL packets are sent until the payload flow bit has been correctly received. This can be accomplished by simultaneously turning on the flow bit in the packet header and keeping it on until an ACK is received back (ARQN=1). This will typically be only one round trip time.

The Baseband Resource Manager is responsible for setting and processing the flow bit in the payload header. Real-time flow control shall be carried out at the packet level by the Link Controller via the flow bit in the packet header (see Section 6.4.3). With the payload flow bit, traffic from the remote end can be controlled. It is allowed to generate and send an ACL packet with payload length zero irrespective of flow status. L2CAP start-fragment and continue-fragment indications (LLID=10 and LLID=01) also retain their meaning when the payload length is equal to zero (i.e. an empty start-fragment shall not be sent in the middle of an on-going ACL-U or APB-U packet transmission). It is always allowed to send an ACL packet with length=0 and LLID=01. The payload flow bit has its own meaning for each logical link, see Table 6.6. On the ACL-C, APB-C, and APB-U logical links, no flow control is applied and the payload FLOW bit shall always be set to one. On the PBD logical link, no flow control is applied and the payload FLOW bit shall always be set to zero.

LLID code b_1b_0	Logical Link	Usage and semantics of the ACL payload header FLOW bit
00		Reserved for future use.
01	ACL-U	Flow control of the ACL-U channel (L2CAP messages).
	APB-U	Always set FLOW=1 on transmission and ignore the bit on reception.
	PBD	Reserved for future use.

Table 6.6: Use of payload header flow bit on the Logical Links



LLID code b ₁ b ₀	Logical Link	Usage and semantics of the ACL payload header FLOW bit
10	ACL-U	Flow control of the ACL-U channel (L2CAP messages).
	APB-U	Always set FLOW=1 on transmission and ignore the bit on reception.
	PBD	Always set FLOW=0 on transmission and ignore the bit on reception.
11	ACL-C and APB-C	Always set FLOW=1 on transmission and ignore the bit on reception.

Table 6.6: Use of payload header flow bit on the Logical Links

The length indicator shall be set to the number of bytes (i.e. 8-bit words) in the payload excluding the payload header, MIC, and the CRC code; i.e. the payload body only. With reference to [Figure 6.12](#) and [Figure 6.13](#), the MSB of the length field in a 1-byte header is the last (right-most) bit in the payload header; the MSB of the length field in a 2-byte header is the fourth bit to the left from the right-most end of the second byte in the payload header.

4. Payload body

The payload body includes the user information and determines the effective user throughput. The length of the payload body is indicated in the length field of the payload header.

5. Message Integrity Check

The 32-bit Message Integrity Check (MIC) in the payload is generated as specified in [\[Vol 2\] Part H, Section 9.2](#).

6. CRC code generation

The 16-bit cyclic redundancy check code in the payload is generated as specified in [Section 7.1](#). Before determining the CRC code, an 8-bit value is used to initialize the CRC generator. For the CRC code in the FHS packets sent in Central Page Response substate, the UAP of the Peripheral is used. For the FHS packet and the extended inquiry response packet sent in Inquiry Response substate, the DCI (see [Section 1.2.1](#)) is used. For all other packets, the UAP of the Central is used.

Only the Payload header, Payload body, and MIC segments (if present) are used to generate the CRC code.

7. Enhanced Data Rate trailer

This is the same as defined for the Synchronous data field in [Section 6.6.1](#).



6.7 PACKET SUMMARY

A summary of the packets and their characteristics is shown in [Table 6.7](#), [Table 6.8](#), and [Table 6.9](#). The payload represents the packet payload excluding FEC, CRC, and payload header.

Type	Payload (bytes)	FEC	MIC	CRC	Symmetric Max. Rate	Asymmetric Max. Rate
ID	N/A	N/A	N/A	N/A	N/A	N/A
NULL	N/A	N/A	N/A	N/A	N/A	N/A
POLL	N/A	N/A	N/A	N/A	N/A	N/A
FHS	18	2/3	N/A	Yes	N/A	N/A

Table 6.7: Link control packets

Type	Payload Header (bytes)	User Payload (bytes)	FEC	MIC	CRC	Symmetric Max. Rate (kb/s)	Asymmetric Max. Rate (kb/s)	
							Forward	Reverse
DM1	1	0-17	2/3	C.1	Yes	108.8	108.8	108.8
DH1	1	0-27	No	C.1	Yes	172.8	172.8	172.8
DM3	2	0-121	2/3	C.1	Yes	258.1	387.2	54.4
DH3	2	0-183	No	C.1	Yes	390.4	585.6	86.4
DM5	2	0-224	2/3	C.1	Yes	286.7	477.8	36.3
DH5	2	0-339	No	C.1	Yes	433.9	723.2	57.6
2-DH1	2	0-54	No	C.1	Yes	345.6	345.6	345.6
2-DH3	2	0-367	No	C.1	Yes	782.9	1174.4	172.8
2-DH5	2	0-679	No	C.1	Yes	869.1	1448.5	115.2
3-DH1	2	0-83	No	C.1	Yes	531.2	531.2	531.2
3-DH3	2	0-552	No	C.1	Yes	1177.6	1766.4	265.6
3-DH5	2	0-1021	No	C.1	Yes	1306.9	2178.1	177.1

Table 6.8: ACL packets.

C.1: Mandatory when encryption with AES-CCM enabled, else excluded

Type	Payload Header (bytes)	User Payload (bytes)	FEC	MIC	CRC	Symmetric Max. Rate (kb/s)
HV1	N/A	10	1/3	No	No	64.0
HV2	N/A	20	2/3	No	No	64.0

Table 6.9: Synchronous packets



Type	Payload Header (bytes)	User Payload (bytes)	FEC	MIC	CRC	Symmetric Max. Rate (kb/s)
HV3	N/A	30	no	No	No	64.0
DV ¹	1 D	10+(0-9) D	2/3 D	No	Yes D	64.0+57.6 D
EV3	N/A	1-30	No	No	Yes	96
EV4	N/A	1-120	2/3	No	Yes	192
EV5	N/A	1-180	No	No	Yes	288
2-EV3	N/A	1-60	No	No	Yes	192
2-EV5	N/A	1-360	No	No	Yes	576
3-EV3	N/A	1-90	No	No	Yes	288
3-EV5	N/A	1-540	No	No	Yes	864

Table 6.9: Synchronous packets

1. Items followed by 'D' relate to data field only.

7 BIT STREAM PROCESSING

Bluetooth devices shall use the bit stream processing schemes as defined in the following sections.

Before the payload is sent over the air interface, several bit manipulations are performed in the transmitter to increase reliability and security. An HEC is added to the packet header, the header bits are scrambled with a whitening word, and FEC coding is applied. In the receiver, the inverse processes are carried out. [Figure 7.1](#) shows the processes carried out for the packet header both at the transmit and the receive side. All header bit processes are mandatory except that whitening and de-whitening shall not be performed on synchronization train packets. In [Figure 7.1](#) processes not performed on all packet types are indicated by dashed blocks.

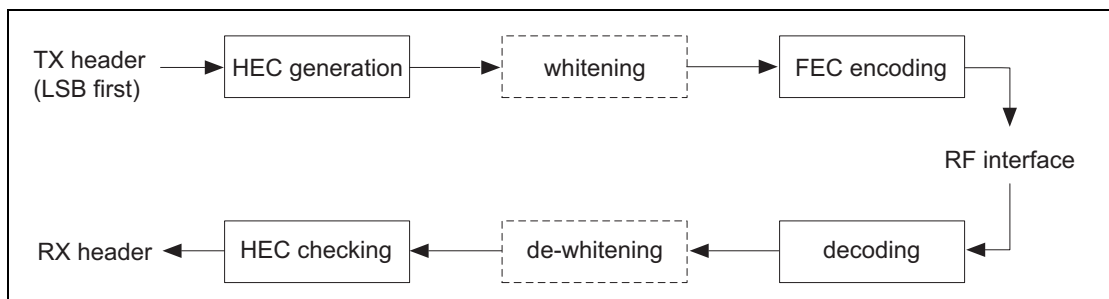


Figure 7.1: Header bit processes

[Figure 7.2](#) shows the processes that may be carried out on the payload. In addition to the processes defined for the packet header, encryption can be applied on the payload. Whitening and de-whitening, as explained in [Section 7.2](#), are mandatory for every payload except synchronization train payloads, where they are forbidden. All other processes are optional and depend on the packet type (see [Section 6.6](#)) and whether encryption is enabled. In [Figure 7.2](#), optional processes are indicated by dashed blocks. When E0 encryption is used, the entire payload shall be encrypted. When AES-CCM encryption is used, only the payload body and MIC shall be encrypted; the payload header and CRC shall not be encrypted..

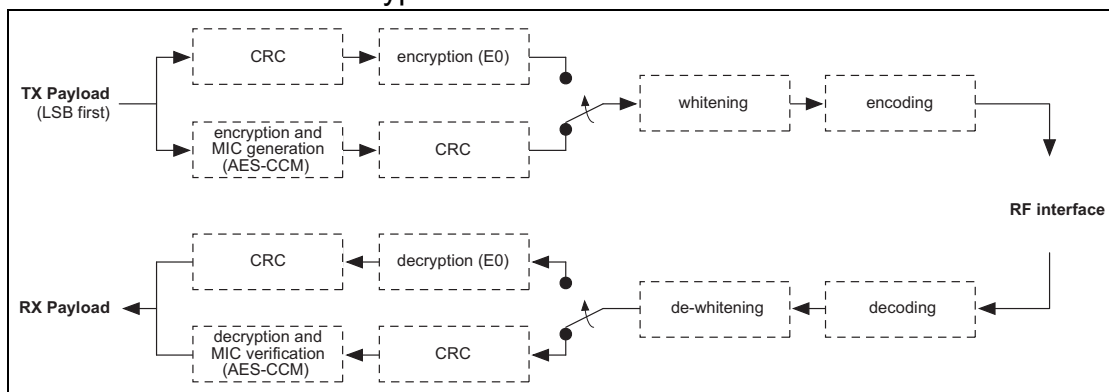


Figure 7.2: Payload bit processes



7.1 ERROR CHECKING

The packet can be checked for errors or wrong delivery using the channel access code, the HEC in the header, and the CRC in the payload. At packet reception, the access code is checked first. Since the 64-bit sync word in the channel access code is derived from the 24-bit Central's LAP, this checks if the LAP is correct, and prevents the receiver from accepting a packet of another piconet (provided the LAP field of the Central's BD_ADDR is different).

The HEC and CRC computations are initialized as follows:

- In the Inquiry Response substate, the DCI value shall be used for the FHS and Extended Inquiry Response packet.
- In the Central Page Response substate, the UAP of the Peripheral shall be used in the FHS packet.
- In the Connection state, the UAP of the Central shall be used. Even though the access code may be the same for two piconets the different UAP values will typically cause the HEC and CRC to fail.
- During Role Switch starting from the TDD switch, the UAP of the new Peripheral shall be used for the FHS packet.

The generation and check of the HEC and CRC are summarized in [Figure 7.5](#) and [Figure 7.8](#). Before calculating the HEC or CRC, the shift registers in the HEC/CRC generators shall be initialized with the 8-bit UAP (or DCI) value. Then the header and payload information shall be shifted into the HEC and CRC generators, respectively (with the LSB first).

A packet has a valid header if the access code is correct for the piconet and the HEC has the correct value, irrespective of the values of the other header fields.

7.1.1 HEC generation

The HEC generating LFSR is depicted in [Figure 7.3](#). The generator polynomial is $g(D) = (D + 1)(D^7 + D^4 + D^3 + D^2 + 1) = D^8 + D^7 + D^5 + D^2 + D + 1$. Initially this circuit shall be pre-loaded with the 8-bit UAP such that the LSB of the UAP (denoted UAP_0) goes to the left-most shift register element, and, UAP_7 goes to the right-most element. The initial state of the HEC LFSR is depicted in [Figure 7.4](#). Then the data shall be shifted in with the switch S set in position 1. When the last data bit has been clocked into the LFSR, the switch S shall be set in position 2, and, the HEC can be read out from the register. The LFSR bits shall be read out from right to left (i.e., the bit in position 7 is the first to be transmitted, followed by the bit in position 6, etc.).

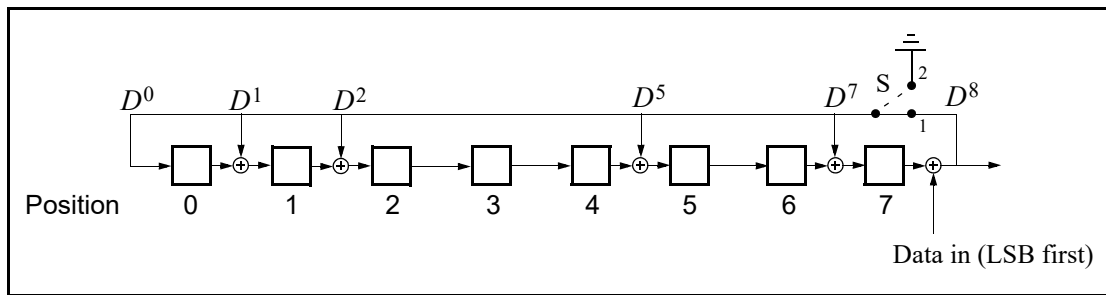


Figure 7.3: The LFSR circuit generating the HEC

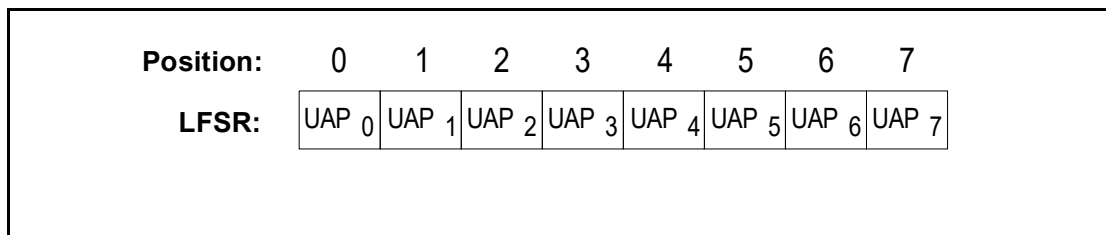


Figure 7.4: Initial state of the HEC generating circuit

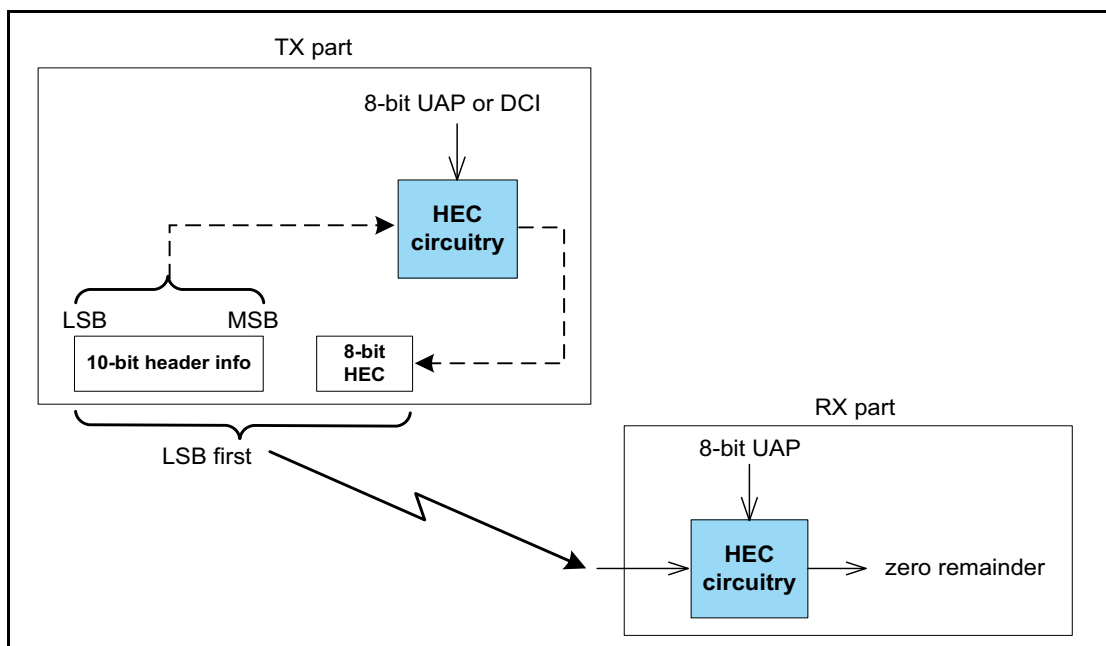


Figure 7.5: HEC generation and checking

7.1.2 CRC generation

The 16 bit LFSR for the CRC is constructed similarly to the HEC using the CRC-CCITT generator polynomial $g(D) = D^{16} + D^{12} + D^5 + 1$ (i.e. 210041 in octal representation) (see Figure 7.6). For this case, the 8 left-most bits shall be initially loaded with the 8-bit UAP (UAP₀ to the left and UAP₇ to the right) while the 8 right-most bits shall be reset to zero. The initial state of the 16 bit LFSR is specified in Figure 7.7. The switch S shall be set in position 1 while the data is



shifted in. After the last bit has entered the LFSR, the switch shall be set in position 2, and, the register's contents shall be transmitted, from right to left (i.e., starting with position 15, then position 14, etc.).

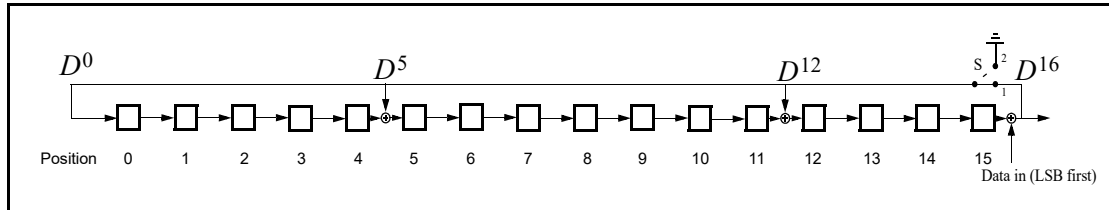


Figure 7.6: The LFSR circuit generating the CRC

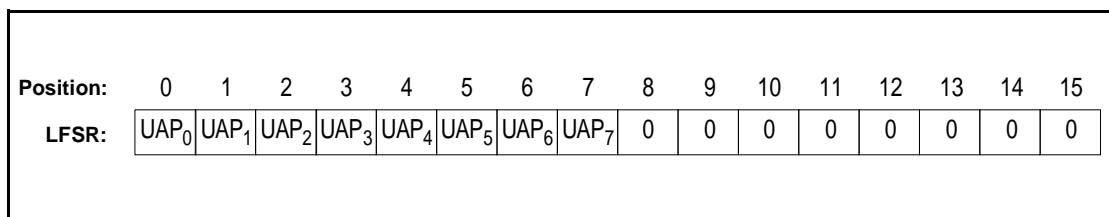


Figure 7.7: Initial state of the CRC generating circuit

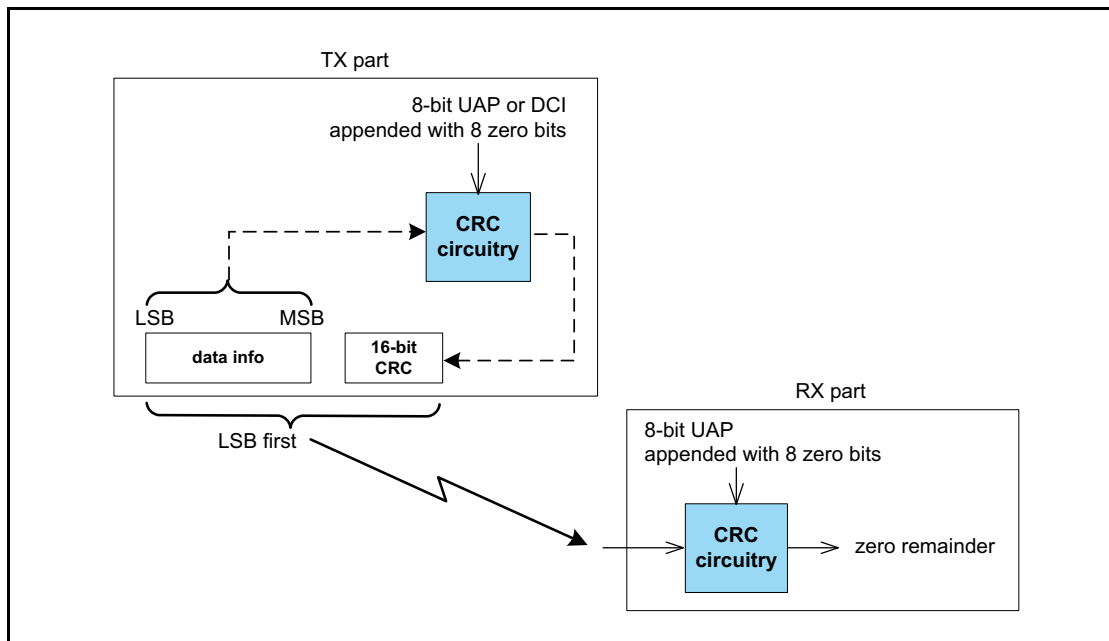


Figure 7.8: CRC generation and checking

7.2 DATA WHITENING

Before transmission of all packets both the header and the payload shall be scrambled with a data whitening word in order to randomize the data from highly redundant patterns and to minimize DC bias in the packet. The scrambling shall be performed prior to the FEC encoding. As an exception,



Synchronization train packets shall not be scrambled with a data whitening word.

At the receiver, the received data of scrambled packets shall be descrambled using the same whitening word generated in the recipient. The descrambling shall be performed after FEC decoding.

The whitening word is generated with the polynomial $g(D) = D^7 + D^4 + 1$ (i.e., 221 in octal representation) and shall be subsequently XORed with the header and the payload. The whitening word is generated with the linear feedback shift register shown in Figure 7.9. Before each transmission, the shift register shall be initialized with a portion of the Central's clock, CLK_{6-1} , extended with an MSB of value one. This initialization shall be carried out with CLK_1 written to position 0, CLK_2 written to position 1, etc. Exceptions are the FHS packet sent during inquiry response or Central page response, and the extended inquiry response packet sent during inquiry response, where initialization of the whitening register shall be carried out differently. Instead of the Central's clock, the X-input used in the inquiry or page response (depending on current state) routine shall be used, see Table 2.2. The 5-bit value shall be extended with two MSBs of value 1. During register initialization, the LSB of X (i.e., X_0) shall be written to position 0, X_1 shall be written to position 1, etc.

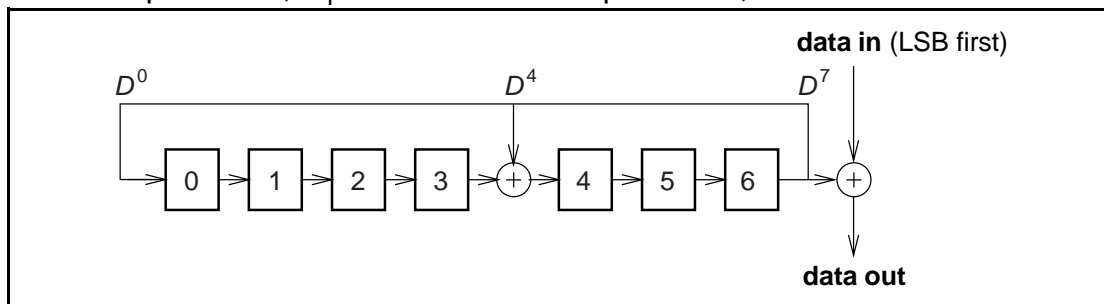


Figure 7.9: Data whitening LFSR

After initialization, the packet header and the payload (including the CRC) are whitened. The payload whitening shall continue from the state the whitening LFSR had at the end of HEC. There shall be no re-initialization of the shift register between packet header and payload. The first bit of the “data in” sequence shall be the LSB of the packet header.

For Enhanced Data Rate packets, whitening shall not be applied to the guard, synchronization and trailer portions of the Enhanced Data Rate packets. During the periods where whitening is not applied the LFSR shall be paused.

7.3 ERROR CORRECTION

There are three error correction schemes defined for Bluetooth:

- 1/3 rate FEC
- 2/3 rate FEC
- ARQ scheme for the data



The purpose of the FEC scheme on the data payload is to reduce the number of retransmissions. However, in a reasonably error-free environment, FEC gives unnecessary overhead that reduces the throughput. Therefore, the packet definitions given in [Section 6](#) have been kept flexible to use FEC in the payload or not, resulting in the **DM** and **DH** packets for the ACL logical transport, **HV** packets for the SCO logical transport, and **EV** packets for the eSCO logical transport. The packet header is always protected by a 1/3 rate FEC since it contains valuable link information and is designed to withstand more bit errors.

Correction measures to mask errors in the voice decoder are not included in this section. This matter is discussed in [Section 9.3](#).

7.4 FEC CODE: RATE 1/3

A simple 3-times repetition FEC code is used for the header. The repetition code is implemented by repeating each bit three times, see the illustration in [Figure 7.10](#). The 3-times repetition code is used for the entire header, as well as for the synchronous data field in the **HV1** packet.

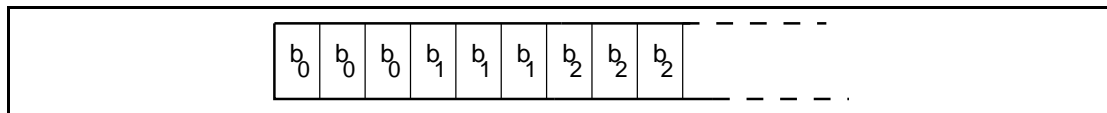


Figure 7.10: Bit-repetition encoding scheme

7.5 FEC CODE: RATE 2/3

The other FEC scheme is a (15,10) shortened Hamming code. The generator polynomial is $g(D) = (D + 1)(D^4 + D + 1)$. This corresponds to 65 in octal notation. The LFSR generating this code is depicted in [Figure 7.11](#). Initially all register elements are set to zero. The 10 information bits are sequentially fed into the LFSR with the switches S1 and S2 set in position 1. Then, after the final input bit, the switches S1 and S2 are set in position 2, and the five parity bits are shifted out. The parity bits are appended to the information bits. Subsequently, each block of 10 information bits is encoded into a 15 bit codeword. This code can correct all single errors and detect all double errors in each codeword. This 2/3 rate FEC is used in the **DM** packets, in the data field of the **DV** packet, in the **FHS** packet, in the **HV2** packet, and in the **EV4** packet. Since the encoder operates with information segments of length 10, tail bits with value zero shall be appended after the CRC bits to bring the total number of bits equal to a multiple of 10. The number of tail bits to append shall be the least possible that achieves this (i.e., in the interval 0...9). These tail bits are not included in the payload length indicator for ACL packets or in the payload length field of the eSCO setup LMP command.

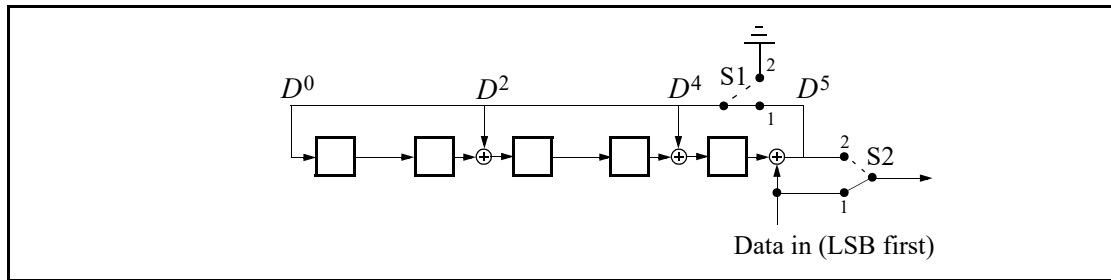


Figure 7.11: LFSR generating the (15,10) shortened Hamming code

7.6 ARQ SCHEME

With an automatic repeat request scheme, DM packets, DH packets, the data field of DV packets, and EV packets shall be transmitted until acknowledgment of a successful reception is returned by the destination (or timeout is exceeded). The acknowledgment information shall be included in the header of the return packet. The ARQ scheme is only used on the payload in the packet and only on packets that have a CRC. The packet header and the synchronous data payload of HV and DV packets are not protected by the ARQ scheme.

7.6.1 Unnumbered ARQ

Bluetooth uses a fast, unnumbered acknowledgment scheme. An ACK (ARQN=1) or a NAK (ARQN=0) is returned in response to the receipt of a previously received packet. The Peripheral shall respond in the Peripheral-to-Central slot directly following the Central-to-Peripheral slot unless the Peripheral has scatternet commitments in that timeslot; the Central shall respond at the next event addressing the same Peripheral (the Central may have addressed other Peripherals between the last received packet from the considered Peripheral and the Central's response to this packet). A packet reception is successful if the HEC passes and, when present, the MIC and CRC pass.

In the first POLL packet at the start of a new connection (as a result of a page, page scan, or role switch) the Central shall initialize the ARQN bit to NAK. The response packet sent by the Peripheral shall also have the ARQN bit set to NAK. The subsequent packets shall use the following rules. The initial value of the Central's eSCO ARQN at link set-up shall be NAK.

The ARQN bit shall only be affected by data packets containing CRC and empty slots. As shown in [Figure 7.12](#), [Figure 7.13](#), and [Figure 7.14](#), upon successful reception of a CRC packet, the ARQN bit shall be set to ACK. If, in any receive slot in the Peripheral, or, in a receive slot in the Central following transmission of a packet, one of these events applies:

1. no access code is detected
2. the HEC fails



3. the CRC fails

4. the MIC fails.

then the ARQN bit shall be set to NAK except in the conditions below:

- In eSCO the ARQN bit may be set to ACK even when the CRC on an EV packet has failed thus enabling delivery of erroneous packets.
- For ACL packets, if a CRC packet with a correct header has the same SEQN as the previously received CRC packet, the ARQN bit shall be set to ACK and the payload shall be ignored without checking the CRC.

Packets that have correct HEC but that are addressed to other Peripherals, or packets other than DH, DM, DV or EV packets, shall not affect the ARQN bit, except as noted in [Section 7.6.2.2](#). In these cases the ARQN bit shall be left as it was prior to reception of the packet. For eSCO packets, the SEQN shall not be used when determining the ARQN. If an eSCO packet has been received successfully within the eSCO window subsequent receptions within the eSCO window shall be ignored. At the end of the eSCO window, the Central's ARQN shall be retained for the first Central-to-Peripheral transmission in the next eSCO window.

The ARQN bit in the FHS packet is not meaningful. Contents of the ARQN bit in the FHS packet shall not be checked.

The ARQN bit in the extended inquiry response packet is reserved for future use.

Broadcast packets shall be checked on errors using the CRC, but no ARQ scheme shall be applied. Broadcast packets shall never be acknowledged.

In [Figure 7.12](#), TX refers to the next transmission that the device makes, which might not be in the next slot. NO TX indicates that the device is not allowed to transmit in the next slot.

In [Figure 7.14](#), "Packet OK" means that the packet has an allowed TYPE for the connection and the CRC is valid.

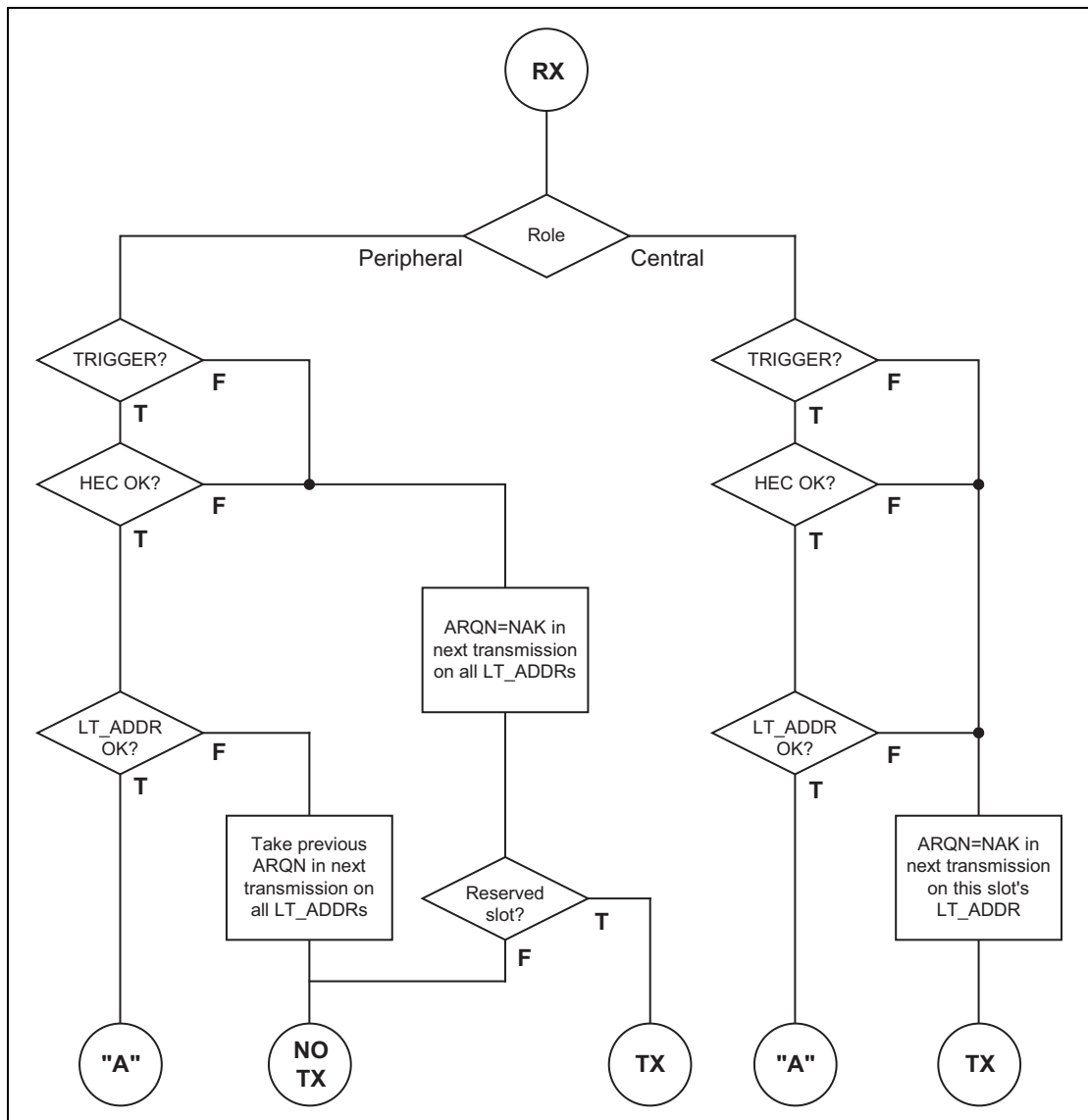


Figure 7.12: Stage 1 of the receive protocol for determining the ARQN bit

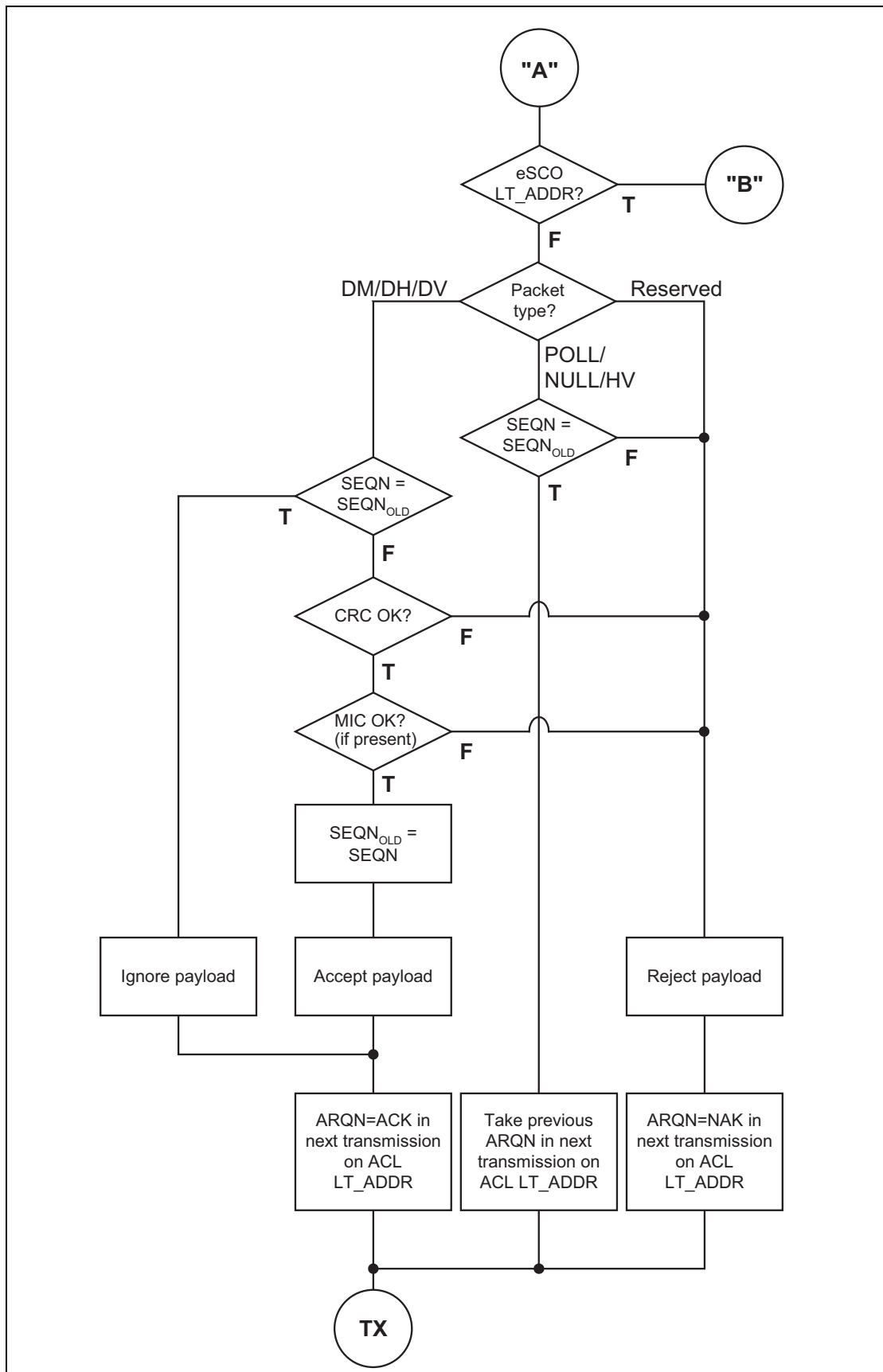


Figure 7.13: Stage 2 (ACL) of the receive protocol for determining the ARQN bit

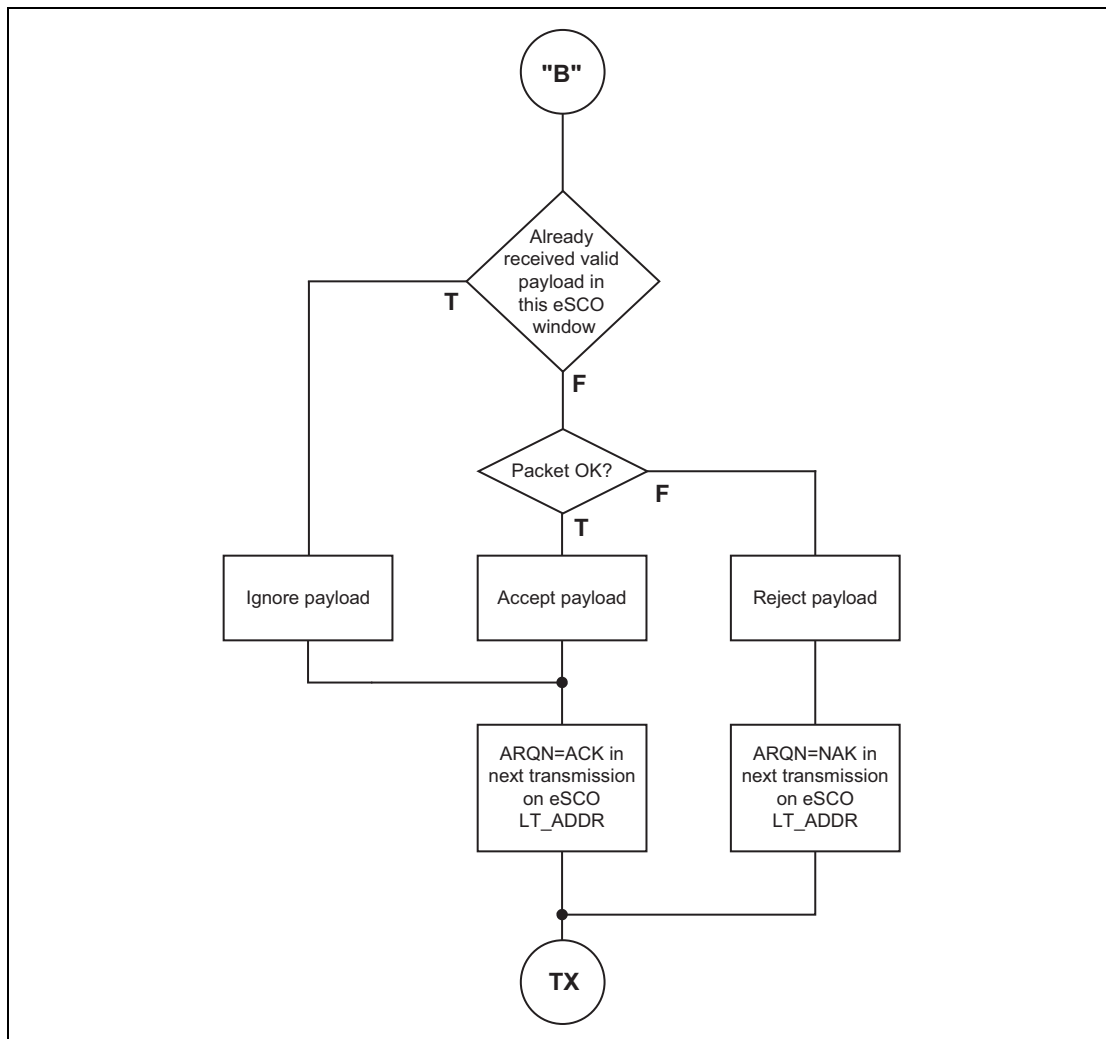


Figure 7.14: Stage 2 (eSCO) of the receive protocol for determining the ARQN bit

7.6.2 Retransmit filtering

The data payload shall be transmitted until a positive acknowledgment is received or a timeout is exceeded. A retransmission shall be carried out either because the packet transmission itself failed, or because the acknowledgment transmitted in the return packet failed (which has a lower failure probability since the header is more heavily coded). In the latter case, the destination keeps receiving the same payload over and over again. In order to filter out the retransmissions in the destination, the SEQN bit is present in the header. Normally, this bit is alternated for every new CRC data payload transmission. In case of a retransmission, this bit shall not be changed so the destination can compare the SEQN bit with the previous SEQN value. If different, a new data payload has arrived; otherwise it is the same data payload and may be ignored. Only new data payloads shall be transferred to the Baseband Resource Manager.

Note: CRC data payloads can be carried only by **DM**, **DH**, **DV** or **EV** packets.



7.6.2.1 Initialization of SEQN at start of new connection

The SEQN bit of the first CRC data packet at the start of a connection (as a result of page, page scan, or role switch) on both the Central and the Peripheral sides shall be set to 1. The subsequent packets shall use the rules in the following sections.

7.6.2.2 ACL and SCO retransmit filtering

The SEQN bit shall only be affected by the CRC data packets as shown in [Figure 7.15](#). It shall be inverted every time a new CRC data packet is sent. The CRC data packet shall be retransmitted with the same SEQN number until an ACK is received or the packet is flushed. When an ACK is received, a new payload may be sent and on that transmission the SEQN bit shall be inverted. If a device decides to flush (see [Section 7.6.3](#)), and it has not received an acknowledgment for the current packet, it shall replace the current packet with an ACL-U continuation packet with the same sequence number as the current packet and length zero. If it replaces the current packet in this way it shall not move on to transmit the next packet until it has received an ACK.

If the Peripheral receives a packet other than DH, DM, DV or EV with the SEQN bit inverted from that in the last header successfully received on the same LT_ADDR, it shall set the ARQN bit to NAK until a DH, DM, DV or EV packet is successfully received.

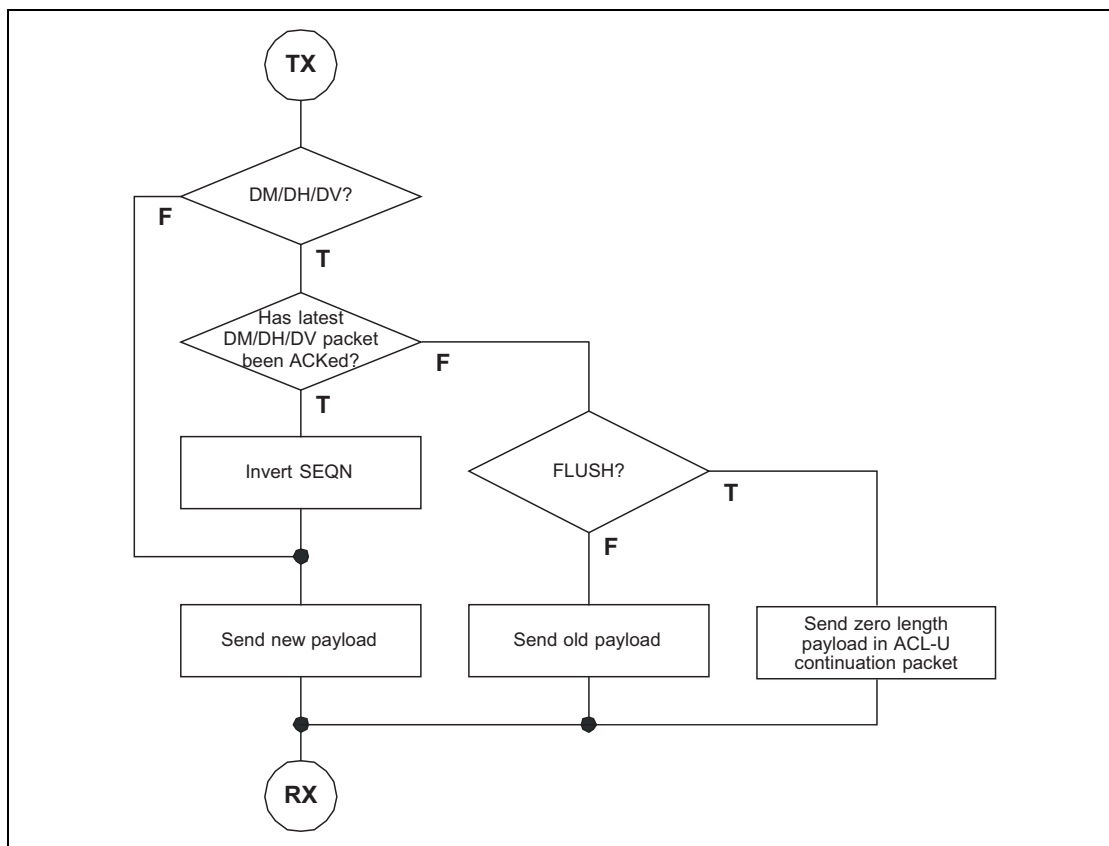


Figure 7.15: Transmit filtering for packets with CRC



7.6.2.3 eSCO retransmit filtering

In eSCO, the SEQN bit shall be toggled every eSCO window. The value shall be constant for the duration of the eSCO window. The initial value of SEQN shall be zero.

For a given eSCO window the SEQN value shall be constant.

7.6.2.4 FHS retransmit filtering

The SEQN bit in the FHS packet is not meaningful. This bit may be set to any value. Contents of the SEQN bit in the FHS packet shall not be checked.

7.6.2.5 Extended inquiry response retransmit filtering

The SEQN bit in the extended inquiry response packet is reserved for future use.

7.6.2.6 Packets without CRC retransmit filtering

During transmission of packets without a CRC the SEQN bit shall remain the same as it was in the previous packet.

7.6.3 Flushing payloads

On ACL logical transports, the ARQ scheme can cause variable delay in the traffic flow since retransmissions are inserted to assure error-free data transfer. For certain communication links, only a limited amount of delay is allowed: retransmissions are allowed up to a certain limit at which the current payload shall be ignored. This data transfer is indicated as **isochronous traffic**. This means that the retransmit process must be overruled in order to continue with the next data payload. Aborting the retransmit scheme is accomplished by *flushing* the old data and forcing the Link Controller to take the next data instead.

Flushing results in loss of remaining portions of an L2CAP message. Therefore, the packet following the flush shall have a start packet indication of LLID = 10 in the payload header for the next L2CAP message. This informs the destination of the flush (see [Section 6.6](#)). Flushing will not necessarily result in a change in the SEQN bit value, see the previous section.

The Flush Timeout defines a maximum period after which all segments of the ACL-U packet with a Packet_Boundary_Flag value of 10 are flushed from the Controller buffer. The Flush Timeout shall start when the First segment of the ACL-U packet is stored in the Controller buffer. If the First segment of an ACL-U packet has a Packet_Boundary_Flag value of 00, it is non-automatically-flushable and shall not cause the Flush Timeout to start. After the Flush timeout has expired the Link Controller may continue transmissions according to the procedure described in [Section 7.6.2.2](#), however the



Baseband Resource Manager shall not continue the transmission of the ACL-U packet to the Link Controller. If the Baseband Resource Manager has further segments of the packet queued for transmission to the Link Controller it shall delete the remaining segments of the ACL-U packet from the queue. In case the complete ACL-U packet was not stored in the Controller buffer yet, any Continuation segments, received for the ACL logical transport, shall be flushed, until a First segment is received. When the complete ACL-U packet has been flushed, the Link Manager shall continue transmission of the next ACL-U packet for the ACL logical transport. The default Flush Timeout shall be infinite, i.e. re-transmissions are carried out until physical link loss occurs. This is also referred to as a 'reliable channel.' All devices shall support the default Flush Timeout. Reliable data shall be sent over a channel with a finite flush timeout by marking reliable packets as non-automatically-flushable.

On eSCO logical transports, packets shall be automatically flushed at the end of the eSCO window.

Connectionless Peripheral Broadcast packets are transmitted at each scheduled Connectionless Peripheral Broadcast Instant. If no new data is available, the Connectionless Peripheral Broadcast Transmitter shall transmit a packet with the last available data in the payload.

7.6.4 Multi-Peripheral considerations

In a piconet with multiple logical transports, the Central shall carry out the ARQ protocol independently on each logical transport.

7.6.5 Active Peripheral Broadcast packets

APB broadcast packets are packets transmitted by the Central to all the Peripherals simultaneously (see [Section 8.6.4](#)) If multiple hop sequences are being used each transmission may only be received by some of the Peripherals. In this case the Central shall repeat the transmission on each hop sequence. An APB broadcast packet shall be indicated by the all-zero LT_ADDR.

Note: The FHS packet and the extended inquiry response packet are the only packets which may have an all-zero LT_ADDR but are not broadcast packets.

Broadcast packets shall not be acknowledged (at least not at the LC level), hence each broadcast packet is transmitted at least a fixed number of times. An APB broadcast packet should be transmitted N_{BC} times before the next broadcast packet of the same broadcast message is transmitted, see [Figure 7.16](#). Optionally, an APB broadcast packet may be transmitted $N_{BC} + 1$ times, so $N_{BC}=1$ means that each broadcast packet should be sent only once but may be sent twice. However, time-critical broadcast information may abort the ongoing broadcast train. In addition, an LMP packet sent on the APB-C logical link is always a complete message for these purposes and is always sent



exactly once; the LMP specification may provide requirements for whether and when to send another message with the same or related contents.

If multiple hop sequences are being used then the Central may transmit on the different hop sequences in any order, providing that transmission of a new broadcast packet shall not be started until all transmissions of any previous broadcast packet have completed on all hop sequences. The transmission of a single broadcast packet may be interleaved among the hop sequences to minimize the total time to broadcast a packet. The Central has the option of transmitting only N_{BC} times on channels common to all hop sequences.

APB broadcast packets with a CRC shall have their own sequence number. The SEQN of the first broadcast packet with a CRC shall be set to SEQN = 1 by the Central and shall be inverted for each new broadcast packet with CRC thereafter. APB broadcast packets without a CRC have no influence on the sequence number. The Peripheral shall accept the SEQN of the first broadcast packet it receives in a connection and shall check for change in SEQN for subsequent broadcast packets. Since there is no acknowledgment of broadcast messages and there is no end packet indication, it is important to receive the start packets correctly. To ensure this, repetitions of the broadcast packets that are L2CAP start packets and LMP packets shall not be filtered out. These packets shall be indicated by LLID=1X in the payload header as explained in Table 6.5. Only repetitions of the L2CAP continuation packets shall be filtered out.

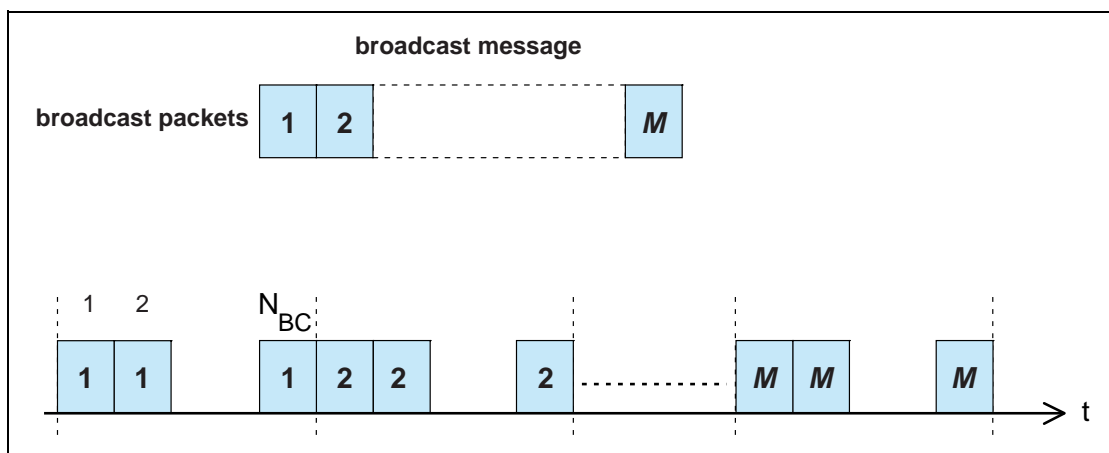


Figure 7.16: Broadcast repetition scheme

7.7 ERRONEOUS SYNCHRONOUS DATA REPORTING

Erroneous data reporting may be enabled for synchronous links. When enabled, synchronous data shall be processed as follows:

- If, during an (e)SCO interval, an eSCO packet was received with valid HEC, an allowed TYPE for the connection, and valid CRC, or a SCO packet was received with valid HEC, the received payload data shall be sent to the upper-edge of the Controller with a "good data" indication.



- If, during an eSCO interval, eSCO packets with valid HEC were received, but none of them had an allowed TYPE for the connection and a valid CRC, the best known data available (e.g., data derived from the received data or the actual payload data that was received with a CRC error) shall be sent to the upper-edge of the Controller with a "data with possible errors" indication.
- If, during an (e)SCO interval, no SCO or eSCO packet with valid HEC has been received, a "lost data" indication shall be sent to the upper-edge of the Controller.

7.8 MESSAGE INTEGRITY CHECK

When encryption with AES-CCM is enabled, a Message Integrity Check (MIC) is added to the payload before the CRC for packets that are defined to include the MIC. The MIC is sent Most Significant Octet (MSO) first.

8 LINK CONTROLLER OPERATION

This section describes how a piconet is established and how devices can be added to and released from the piconet. Several states of operation of the devices are defined to support these functions. In addition, the operation of several piconets with one or more common members, the scatternet, is discussed.

8.1 OVERVIEW OF STATES

Figure 8.1 shows a state diagram illustrating the different states used in the Link Controller. There are two major states: Standby and Connection; in addition, there are nine substates, Page, Page Scan, Inquiry, Inquiry Scan, Synchronization Train, Synchronization Scan, Central Page Response, Peripheral Page Response, and Inquiry Response (the Central Page Response, Peripheral Page Response, and Inquiry Response substates are not shown in the simplified figure below). The substates are interim states that are used to establish connections and enable device discovery. To move from one state or substate to another, either commands from the link manager are used, or internal signals in the Link Controller are used (such as the trigger signal from the correlator and the timeout signals).

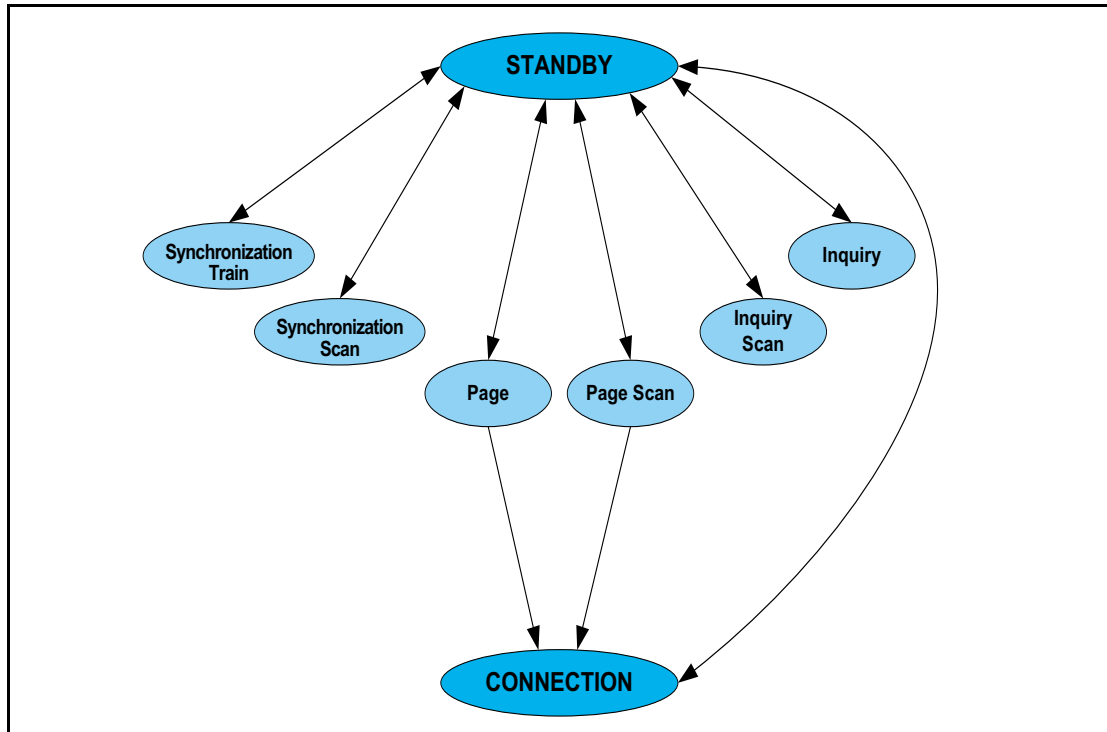


Figure 8.1: State diagram of Link Controller



8.2 STANDBY STATE

The Standby state is the default state in the device. In this state, the device may be in a low-power mode. Only the native clock is running with a worst case accuracy of ± 250 ppm.

The Controller may leave the Standby state to scan for page or inquiry messages, or to page or inquiry itself.

8.3 CONNECTION ESTABLISHMENT SUBSTATES

In order to establish new connections the paging procedure or the synchronization scan procedure is used. Only the Bluetooth Device Address is required to set up a connection using the paging procedure. Knowledge about the clock, obtained from the inquiry procedure (see [Section 8.4](#)) or from a previous connection with this device, and the page scanning mode of the other device will accelerate the paging procedure. A device that establishes a connection using a page procedure will automatically become the Central of the connection. A device that establishes a connection using a synchronization scan procedure does so in two steps. First, from within the Synchronization Scan substate, the BR/EDR Controller follows the synchronization scan procedure to collect clock, packet timing, and AFH channel map information from the Central and then transitions to the Standby state. Second, as commanded by the Host, the BR/EDR Controller transitions from the Standby state to the Connectionless Peripheral Broadcast mode of the Connection state.

The truncated page procedure is a modification of the paging procedure and is used to deliberately generate a page response timeout on the Peripheral.

8.3.1 Page Scan substate

In the Page Scan substate, a device may be configured to use either the standard or generalized interlaced scanning procedure. During a standard scan, a device listens for the duration of the scan window $T_{w_page_scan}$ (11.25 ms default, see HCI [\[Vol 4\] Part E, Section 7.3.20](#)), while the generalized interlaced scan is performed as two back to back scans of $T_{w_page_scan}$. If the scan interval is not at least twice the scan window, then generalized interlaced scan shall not be used. During each scan window, the device shall listen at a single hop frequency, its correlator matched to its device access code (DAC). The scan window shall be long enough to completely scan 16 page frequencies.

When a device enters the Page Scan substate, it shall select the scan frequency according to the page hopping sequence determined by the device's Bluetooth Device Address, see [Section 2.6.4.1](#). The phase in the sequence shall be determined by $CLKN_{16-12}$ of the device's native clock; that is, every 1.28 s a different frequency is selected.



In the case of a standard scan, if the correlator exceeds the trigger threshold during the page scan, the device shall enter the Peripheral Page Response substate described in [Section 8.3.3.1](#). The scanning device may also use generalized interlaced scan. In this case, if the correlator does not exceed the trigger threshold during the first scan it shall scan a second time using the phase in the sequence determined by $[\text{CLKN}_{16-12} + \text{interlace_offset}] \bmod 32$. If on this second scan the correlator exceeds the trigger threshold the device shall enter the Peripheral Page Response substate using $[\text{CLKN}_{16-12} + \text{interlace_offset}] \bmod 32$ as the frozen CLKN* in the calculation for Xprp (see [Section 2.6.4.3](#) for details). If the correlator does not exceed the trigger threshold during a scan in normal mode or during the second scan in interlaced scan mode it shall return to either the Standby or Connection state.

The `interlace_offset` value ranges from 0 to 31. The value 16 should be used unless the pattern of slots that are not available for scanning implies a different value should be used.

The Page Scan substate can be entered from the Standby state or the Connection state. In the Standby state, no connection has been established and the device can use all the capacity to carry out the page scan. Before entering the Page Scan substate from the Connection state, the device should reserve as much capacity as possible for scanning. If desired, the device may place ACL connections in Hold mode (see [Section 8.8](#)) or Sniff mode (see [Section 8.7](#)). Synchronous connections should not be interrupted by the page scan, although eSCO retransmissions should be paused during the scan. The page scan may be interrupted by the reserved synchronous slots which should have higher priority than the page scan. SCO packets should be used requiring the least amount of capacity (**HV3** packets). The scan window shall be increased to minimize the setup delay. If one SCO logical transport is present using **HV3** packets and $T_{\text{SCO}}=6$ slots or one eSCO logical transport is present using **EV3** packets and $T_{\text{eSCO}}=6$ slots, a total scan window $T_{\text{w_page_scan}}$ of at least 36 slots (22.5 ms) is recommended; if two SCO links are present using **HV3** packets and $T_{\text{SCO}}=6$ slots or two eSCO links are present using **EV3** packets and $T_{\text{eSCO}}=6$ slots, a total scan window of at least 54 slots (33.75 ms) is recommended.

The scan interval $T_{\text{page_scan}}$ is defined as the interval between the beginnings of two consecutive page scans. A distinction is made between the case where the scan interval is equal to the scan window $T_{\text{w_page_scan}}$ (continuous scan), the scan interval is maximal 1.28 s, or the scan interval is maximal 2.56 s. These three cases shall determine the behavior of the paging device; that is, whether the paging device shall use R0, R1 or R2, see also [Section 8.3.2](#). [Table 8.1](#) illustrates the relationship between $T_{\text{page_scan}}$ and modes R0, R1 and R2. Although scanning in the R0 mode is continuous, the scanning may be interrupted for example by reserved synchronous slots. The scan interval



information (also known as the page scan repetition mode) is included in the SR field in the FHS packet.

SR mode	$T_{\text{page_scan}}$
R0	$\leq 1.28 \text{ s}$ and $= T_{\text{w_page_scan}}$
R1	$\leq 1.28 \text{ s}$
R2	$\leq 2.56 \text{ s}$

Table 8.1: Relationship between scan interval and page scan repetition modes R0, R1, and R2

8.3.2 Page substate

The Page substate is used by the Central (source) to activate and connect to a Peripheral (destination) in the Page Scan substate. The Central tries to coincide with the Peripheral's scan activity by repeatedly transmitting the paging message consisting of the Peripheral's device access code (DAC) in different hop channels. Since the Bluetooth clocks of the Central and the Peripheral are not synchronized, the Central does not know exactly when the Peripheral wakes up and on which hop frequency. Therefore, it transmits a train of identical page messages at different hop frequencies and listens in between the transmit intervals until it receives a response from the Peripheral.

The page procedure in the Central consists of a number of steps. First, the Host communicates the BD_ADDR of the Peripheral to the Controller. This BD_ADDR shall be used by the Central to determine the page hopping sequence; see [Section 2.6.4.2](#). If the BD_ADDR of the Peripheral is identical to the BD_ADDR of the Central, then the Central's Controller should reject the page procedure. For the phase in the sequence, the Central shall use an estimate of the Peripheral's clock. For example, this estimate can be derived from timing information that was exchanged during the last encounter with this particular device (which could have acted as a Central at that time), or from an inquiry procedure. With this estimate CLKE of the Peripheral's Bluetooth clock, the Central can predict on which hop channel the Peripheral starts page scanning.

The estimate of the Bluetooth clock in the Peripheral can be completely wrong. Although the Central and the Peripheral use the same hopping sequence, they use different phases in the sequence and might never select the same frequency. To compensate for the clock drifts, the Central shall send its page message during a short time interval on a number of wake-up frequencies. It shall transmit also on hop frequencies just before and after the current, predicted hop frequency. During each TX slot, the Central shall sequentially transmit on two different hop frequencies. In the following RX slot, the receiver shall listen sequentially to two corresponding RX hops for an ID packet. The RX hops shall be selected according to the page response hopping sequence. The page response hopping sequence is strictly related to the page hopping sequence: for each page hop there is a corresponding page response hop. The



RX/TX timing in the Page substate is described in [Section 2.2.5](#), see also [Figure 2.7](#). In the next TX slot, the Central shall transmit on two hop frequencies different from the former ones.

Note: The hop rate is increased to 3200 hops per second.

With the increased hopping rate as described above, the transmitter can cover 16 different hop frequencies in 16 slots or 10 ms. The page hopping sequence is divided over two paging trains **A** and **B** of 16 frequencies. Train **A** includes the 16 hop frequencies surrounding the current, predicted hop frequency $f(k)$, where k is determined by the clock estimate $CLKE_{16-12}$. The first train consists of hops

$f(k-8), f(k-7), \dots, f(k), \dots, f(k+7)$

When the difference between the Bluetooth clocks of the Central and the Peripheral is between -8×1.28 s and $+7 \times 1.28$ s, one of the frequencies used by the Central will be the hop frequency the Peripheral will listen to. Since the Central does not know when the Peripheral will enter the Page Scan substate, the Central has to repeat this train **A** N_{page} times or until a response is obtained, whichever is shorter. If the Peripheral scan interval corresponds to R1, the repetition number is at least 128; if the Peripheral scan interval corresponds to R2 or if the Central has not previously read the Peripheral's SR (page scan repetition) mode, the repetition number is at least 256. If the Central has not previously read the Peripheral's SR mode it shall use $N_{\text{page}} \geq 256$.

Note: $CLKE_{16-12}$ changes every 1.28 s; therefore, every 1.28 s, the trains will include different frequencies of the page hopping set.

When the difference between the Bluetooth clocks of the Central and the Peripheral is less than -8×1.28 s or larger than $+7 \times 1.28$ s, the remaining 16 hops are used to form the new 10 ms train **B**. The second train consists of hops

$f(k-16), f(k-15), \dots, f(k-9), f(k+8), \dots, f(k+15)$

Train **B** shall be repeated for N_{page} times. If no response is obtained, k_{nudge} may be updated in the case where slots to receive are periodically not available and train **A** shall be tried again N_{page} times. Alternate use of train **A** and train **B** and updates of k_{nudge} shall be continued until a response is received or the timeout $\text{pageTO} + \text{extended_pageTO}$ is exceeded. If a response is returned by the Peripheral, the Central enters the Central Page Response substate.

The Page substate may be entered from the Standby state or the Connection state. In the Standby state, no connection has been established and the device can use all the capacity to carry out the page. Before entering the Page substate from the Connection state, the device should free as much capacity as possible for paging. To ensure this, it is recommended that the ACL connections are put on hold. However, the synchronous connections shall not



be disturbed by the page. This means that the page will be interrupted by the reserved SCO and eSCO slots which have higher priority than the page. In order to obtain as much capacity for paging, it is recommended to use the SCO packets which use the least amount of capacity (**HV3** packets). If SCO or eSCO links are present, the repetition number N_{page} of a single train shall be increased, see [Table 8.2](#). Here it has been assumed that the **HV3** packet are used with an interval $T_{SCO}=6$ slots or **EV3** packets are used with an interval of $T_{eSCO}=6$ slots, which would correspond to a 64 kb/s synchronous link.

SR mode	no synchronous link	one synchronous link (HV3)	two synchronous links (HV3)
R0	$N_{page} \geq 1$	$N_{page} \geq 2$	$N_{page} \geq 3$
R1	$N_{page} \geq 128$	$N_{page} \geq 256$	$N_{page} \geq 384$
R2	$N_{page} \geq 256$	$N_{page} \geq 512$	$N_{page} \geq 768$

Table 8.2: Relationship between train repetition and paging modes R0, R1 and R2 when synchronous links are present

The construction of the page train shall be independent of the presence of synchronous links; that is, synchronous packets are sent on the reserved slots but shall not affect the hop frequencies used in the unreserved slots, see [Figure 8.2](#).

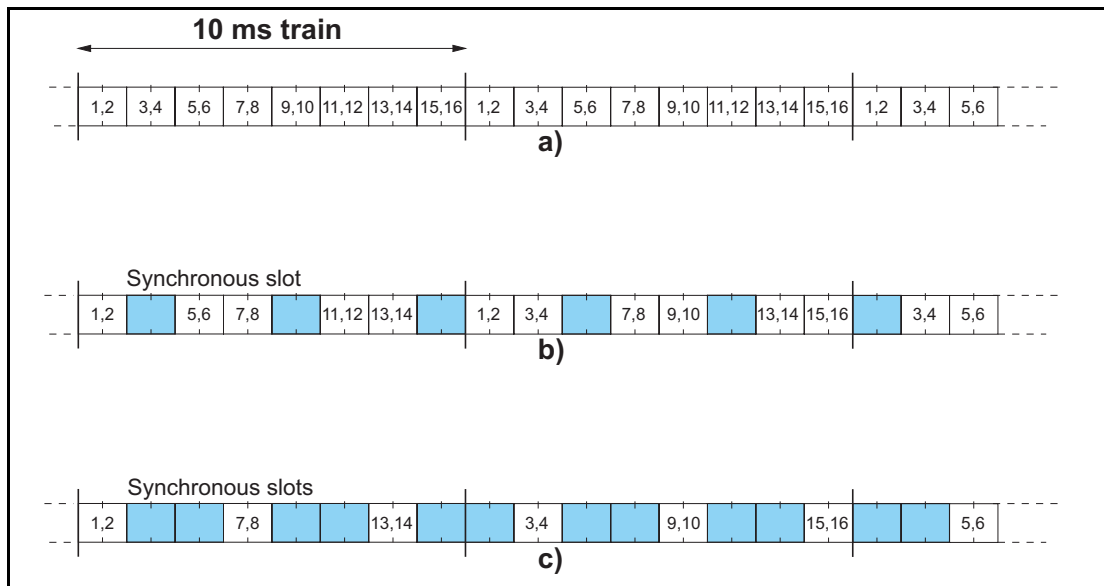


Figure 8.2: Conventional page (a), page while one synchronous link present (b), page while two synchronous links present (c)

8.3.3 Page response substates

When a page message is successfully received by the Peripheral, there is a coarse FH synchronization between the Central and the Peripheral. Both the Central and the Peripheral enter a response substate to exchange vital



information to continue the connection setup. It is important for the piconet connection that both devices shall use the same channel access code, use the same channel hopping sequence, and their clocks are synchronized. These parameters shall be derived from the Central. The device that initializes the connection (starts paging) is defined as the Central (which is thus only valid during the time the piconet exists). The channel access code and channel hopping sequence shall be derived from the Bluetooth Device Address (BD_ADDR) of the Central. The timing shall be determined by the Central's clock. An offset shall be added to the Peripheral's native clock to temporarily synchronize the Peripheral's clock to the Central's clock. At start-up, the Central's parameters are transmitted from the Central to the Peripheral. The messaging between the Central and the Peripheral at start-up is specified in this section.

If Central and Peripheral are already connected (irrespective of roles) then the Peripheral shall either ignore the page or shall immediately close the existing connection without sending any further packets relating to that connection and then continue with the page response procedure.

If the BD_ADDR of the Central is identical to the BD_ADDR of the Peripheral, then the Peripheral's Controller should ignore the page.

The initial messaging between Central and Peripheral is shown in [Table 8.3](#) and in [Figure 8.3](#) and [Figure 8.4](#). In those two figures frequencies $f(k)$, $f(k+1)$, etc. are the frequencies of the page hopping sequence determined by the Peripheral's BD_ADDR. The frequencies $f'(k)$, $f'(k+1)$, etc. are the corresponding page_response frequencies (Peripheral-to-Central). The frequencies $g(m)$ belong to the basic channel hopping sequence.

Step	Message	Packet Type	Direction	Hopping Sequence	Access Code and Clock
1	Page	ID	Central to Peripheral	Page	Peripheral
2	First Peripheral page response	ID	Peripheral to Central	Page response	Peripheral
3	Central page response	FHS	Central to Peripheral	Page	Peripheral
4	Second Peripheral page response	ID	Peripheral to Central	Page response	Peripheral
5	1st packet Central	POLL	Central to Peripheral	Channel	Central
6	1st packet Peripheral	NULL/DM1/DH1	Peripheral to Central	Channel	Central

Table 8.3: Initial messaging during start-up



In step 1 (see Table 8.3), the Central is in Page substate and the Peripheral in the Page Scan substate. Assume in this step that the page message sent by the Central reaches the Peripheral. On receiving the page message, the Peripheral enters the Peripheral Page Response substate in step 2. The Central waits for a reply from the Peripheral and when this arrives in step 2, it shall enter the Central Page Response substate in step 3.

Note: During the initial message exchange, all parameters are derived from the Peripheral’s device address, and that only the page hopping and page response hopping sequences are used (are also derived from the Peripheral’s device address). When the Central and Peripheral enter the response states, their clock input to the page and page response hop selection is frozen as is described in Section 2.6.4.3.

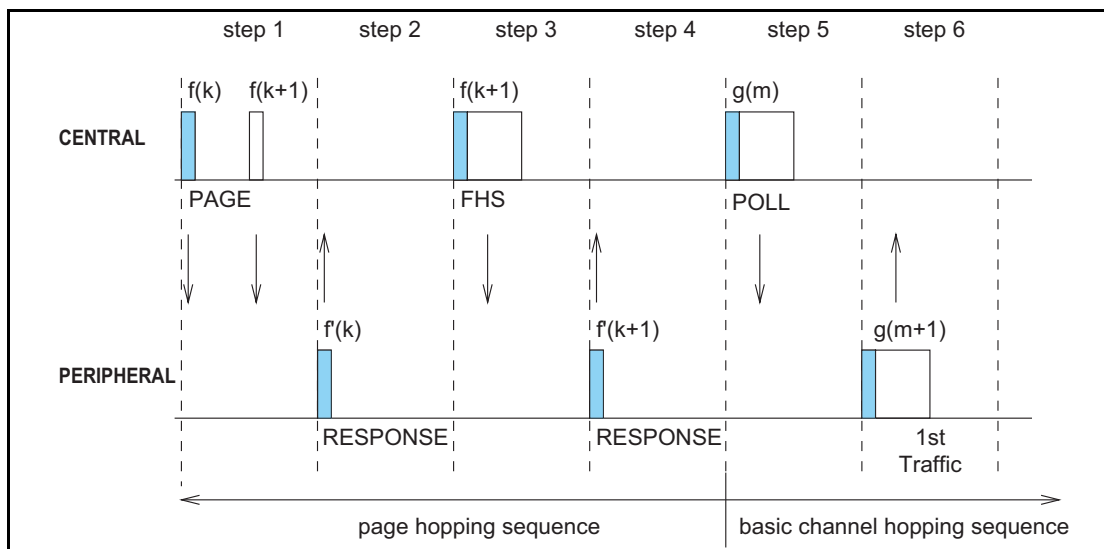


Figure 8.3: Messaging at initial connection when Peripheral responds to first page message

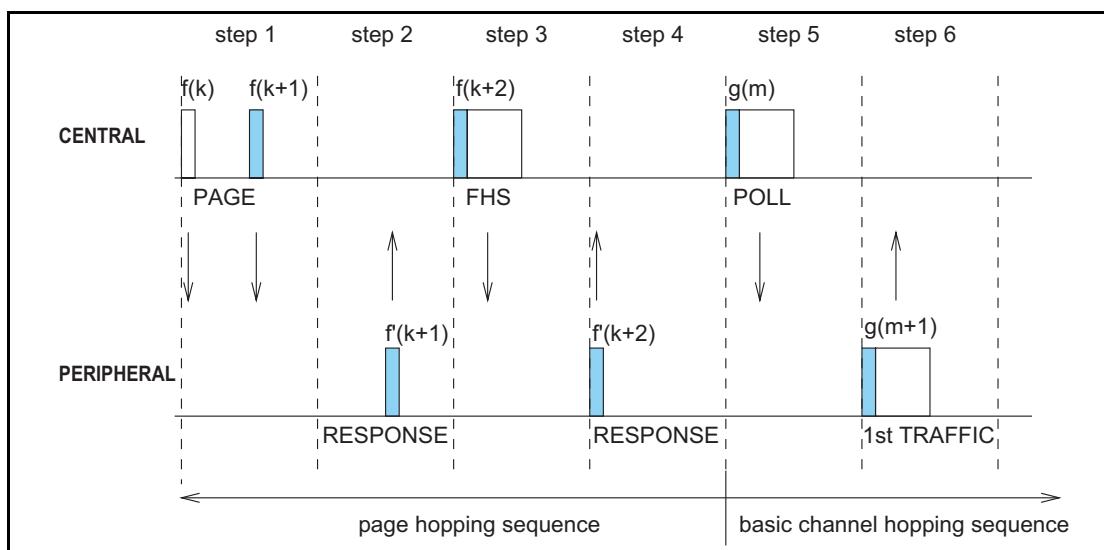


Figure 8.4: Messaging at initial connection when Peripheral responds to second page message



In the case of the truncated page procedure, the messaging stops after step 2 in the sequence shown in Table 8.3. This procedure is illustrated in Figure 8.5 and Figure 8.6.

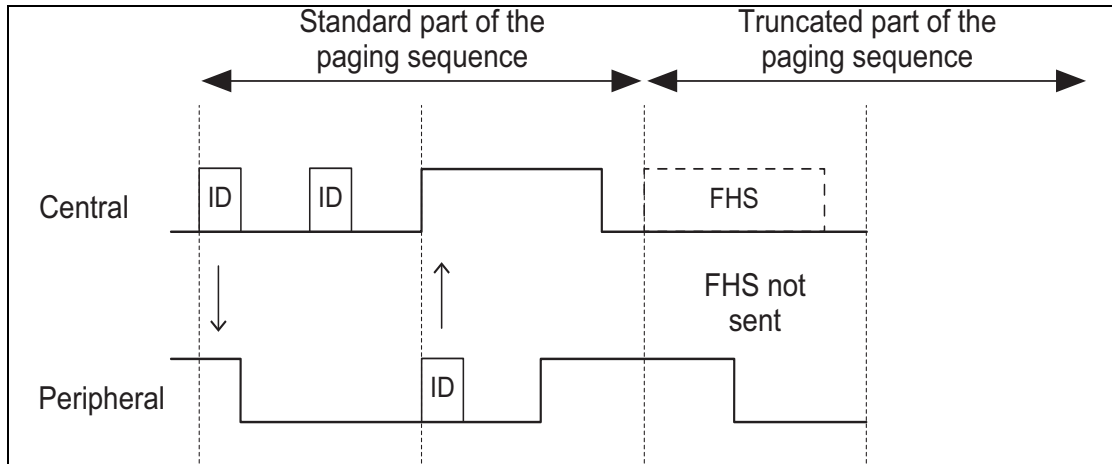


Figure 8.5: First half slot truncated page

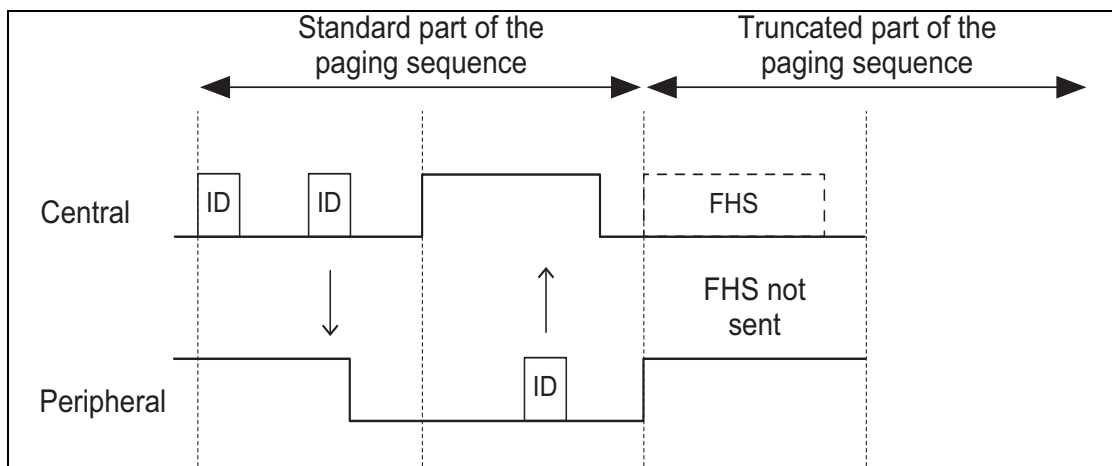


Figure 8.6: Second half slot truncated page

8.3.3.1 Peripheral Page Response substate

After having received the page message in step 1, the Peripheral shall transmit a Peripheral page response message (the Peripheral's device access code) in step 2. This response message shall be the Peripheral's device access code. The Peripheral shall transmit this response 625 μ s after the beginning of the received page message and at the response hop frequency that corresponds to the hop frequency in which the page message was received. The Peripheral's transmission is therefore time aligned to the Central's transmission. During initial messaging, the Peripheral shall still use the page response hopping sequence to return information to the Central. The clock input $CLKN_{16-12}$ shall be frozen at the value it had at the time the page message was received.



After having sent the response message, the Peripheral's receiver shall be activated 312.5 μ s after the start of the response message and shall await the arrival of an **FHS** packet.

Note: An **FHS** packet can arrive 312.5 μ s after the arrival of the page message as shown in [Figure 8.4](#), and not after 625 μ s as is usually the case in the piconet physical channel RX/TX timing (more details about the timing can be found in [Section 2.4.4](#)).

If the setup fails before the Connection state has been reached, the following procedure shall be carried out. The Peripheral shall listen as long as no **FHS** packet is received until *pagerespTO* is exceeded. Every 1.25 ms, however, it shall select the next Central-to-Peripheral hop frequency according to the page hop sequence. If nothing is received after *pagerespTO*, the Peripheral shall return back to the Page Scan substate for one scan period. Length of the scan period depends on the synchronous reserved slots present. If no page message is received during this additional scan period, the Peripheral shall resume scanning at its regular scan interval and return to the state it was in prior to the first page scan state.

If an **FHS** packet is received by the Peripheral in the Peripheral Page Response substate, the Peripheral shall return a Peripheral page response message in step 4 to acknowledge reception of the **FHS** packet. This response shall use the page response hopping sequence. The transmission of the Peripheral page response packet is based on the reception of the **FHS** packet. Then the Peripheral shall change to the Central's channel access code and clock as received from the **FHS** packet. Only the 26 MSBs of the Central's clock are transferred: the timing shall be such that CLK_1 and CLK_0 are both zero at the time the **FHS** packet was received as the Central transmits in even slots only. The offset between the Central's clock and the Peripheral's clock shall be determined from the Central's clock in the **FHS** packet and reported to the Peripheral's Baseband Resource Manager.

Finally, the Peripheral enters the Connection state in step 5. From then on, the Peripheral shall use the Central's clock and the Central's *BD_ADDR* to determine the basic channel hopping sequence and the channel access code. The Peripheral shall use the *LT_ADDR* in the **FHS** payload as the primary *LT_ADDR* in the Connection state. The connection mode shall start with a POLL packet transmitted by the Central. The Peripheral may respond with a NULL, DM1, or DH1 packet. If the POLL packet is not received by the Peripheral, or the response packet is not received by the Central, within *newconnectionTO* number of slots after FHS packet acknowledgment, the Central and the Peripheral shall return to Page and Page Scan substates, respectively. See [Section 8.5](#).

8.3.3.2 Central Page Response substate

When the Central has received a Peripheral page response message in step 2, and the Central is not executing the truncated page procedure, it shall enter the



Central Response substate. It shall freeze the current clock input to the page hop selection scheme. The Central shall then transmit an **FHS** packet in step 3 containing the Central's real-time Bluetooth clock, the Central's `BD_ADDR`, the BCH parity bits, and the Class of Device. The **FHS** packet contains all information to construct the channel access code without requiring a mathematical derivation from the Central's Bluetooth Device Address. The `LT_ADDR` field in the packet header of FHS packets in the Central Page Response substate shall be set to all-zeros. The **FHS** packet shall be transmitted at the beginning of the Central-to-Peripheral slot following the slot in which the Peripheral responded. The FHS packet shall carry the all-zero `LT_ADDR`. The TX timing of the **FHS** is not based on the reception of the response packet from the Peripheral. The **FHS** packet may therefore be sent 312.5 μs after the reception of the response packet like shown in [Figure 8.4](#) and not 625 μs after the received packet as is usual in the piconet physical channel RX/TX timing, see also [Section 2.4.4](#).

After the Central has sent its **FHS** packet, it shall wait for a second Peripheral page response message in step 4 acknowledging the reception of the **FHS** packet. This response shall be the Peripheral's device access code. If no response is received, the Central shall retransmit the **FHS** packet with an updated clock and still using the Peripheral's parameters. It shall retransmit the FHS packet with the clock updated each time until a second Peripheral page response message is received, or the timeout of `pagerespTO` is exceeded. In the latter case, the Central shall return to the Page substate and send an error message to the Baseband Resource Manager. During the retransmissions of the **FHS** packet, the Central shall use the page hopping sequence.

If the Peripheral's response is received, the Central shall change to using the Central's parameters, so it shall use the channel access code and the Central's clock. The lower clock bits `CLK0` and `CLK1` shall be reset to zero at the start of the **FHS** packet transmission and are not included in the **FHS** packet. Finally, the Central enters the Connection state in step 5. The Central `BD_ADDR` shall be used to change to a new hopping sequence, the basic channel hopping sequence. The basic channel hopping sequence uses all 79 hop channels in a pseudo-random fashion, see also [Section 2.6.4.7](#). The Central shall now send its first traffic packet in a hop determined with the new (Central) parameters. This first packet shall be a POLL packet. See [Section 8.5](#). This packet shall be sent within `newconnectionTO` number of slots after reception of the FHS packet acknowledgment. The Peripheral may respond with a NULL, DM1, or DH1 packet. If the POLL packet is not received by the Peripheral or the POLL packet response is not received by the Central within `newconnectionTO` number of slots, the Central and the Peripheral shall return to Page and Page Scan substates, respectively.

8.4 DEVICE DISCOVERY SUBSTATES

In order to discover other devices a device shall enter Inquiry substate. In this substate, it shall repeatedly transmit the inquiry message (ID packet, see



[Section 6.5.1.1](#)) at different hop frequencies. The inquiry hop sequence is derived from the LAP of the GIAC. Thus, even when DIACs are used, the applied hopping sequence is generated from the GIAC LAP. A device that allows itself to be discovered, shall regularly enter the Inquiry Scan substate to respond to inquiry messages. The following sections describe the message exchange and contention resolution during inquiry response. The inquiry response is optional: a device is not forced to respond to an inquiry message.

During the Inquiry substate, the discovering device collects the Bluetooth Device Addresses and clocks of all devices that respond to the inquiry message. In addition, the discovering device also collects extended information (e.g. local name and supported services) from devices that respond with an extended inquiry response packet. It can then, if desired, make a connection to any one of the discovered devices by means of the previously described page procedure.

The inquiry message broadcast by the source does not contain any information about the source. However, it may indicate which class of devices should respond. There is one general inquiry access code (GIAC) to inquire for any device, and a number of dedicated inquiry access codes (DIAC) that only inquire for a certain type of device. The inquiry access codes are derived from reserved Bluetooth Device Addresses and are further described in [Section 6.3.1](#).

8.4.1 Inquiry Scan substate

The Inquiry Scan substate is very similar to the Page Scan substate. However, instead of scanning for the device's device access code, the receiver shall scan for the inquiry access code long enough to completely scan for 16 inquiry frequencies. Two types of scans are defined: standard and generalized interlaced. In the case of a standard scan the length of this scan period is denoted $T_{w_inquiry_scan}$ (11.25 ms default, see HCI [\[Vol 4\] Part E, Section 7.3.22](#)). The standard scan is performed at a single hop frequency as defined by Xir_{4-0} (see [Section 2.6.4.6](#)). The generalized interlaced scan is performed as two back to back scans of $T_{w_inquiry_scan}$ where the first scan is on the normal hop frequency and the second scan is defined by $[Xir_{4-0} + interlace_offset] \bmod 32$. If the scan interval is not at least twice the scan window then generalized interlaced scan shall not be used. The inquiry procedure uses 32 dedicated inquiry hop frequencies according to the inquiry hopping sequence. These frequencies are determined by the general inquiry address. The phase is determined by the native clock of the device carrying out the inquiry scan; the phase changes every 1.28 s.

The `interlace_offset` value ranges from 0 to 31. The value 16 should be used unless the pattern of slots that are not available for scanning implies a different value should be used.

Instead of, or in addition to, the general inquiry access code, the device may scan for one or more dedicated inquiry access codes. However, the scanning



shall follow the inquiry scan hopping sequence determined by the general inquiry address. If an inquiry message is received during an inquiry wake-up period, the device shall enter the Inquiry Response substate.

The Inquiry Scan substate can be entered from the Standby state or the Connection state. In the Standby state, no connection has been established and the device can use all the capacity to carry out the inquiry scan. Before entering the Inquiry Scan substate from the Connection state, the device should reserve as much capacity as possible for scanning. If desired, the device may place ACL logical transports in Sniff mode or Hold mode. Synchronous logical transports are preferably not interrupted by the inquiry scan, although eSCO retransmissions should be paused during the scan. In this case, the inquiry scan may be interrupted by the reserved synchronous slots. SCO packets should be used requiring the least amount of capacity (**HV3** packets). The scan window, $T_{w \text{ inquiry scan}}$, shall be increased to increase the probability to respond to an inquiry message. If one SCO logical transport is present using HV3 packets and $T_{SCO}=6$ slots or one eSCO logical transport is present using EV3 packets and $T_{eSCO}=6$ slots, a total scan window of at least 36 slots (22.5 ms) is recommended; if two SCO links are present using HV3 packets and $T_{SCO}=6$ slots or two eSCO links are present using EV3 packets and $T_{eSCO}=6$ slots, a total scan window of at least 54 slots (33.75 ms) is recommended.

The scan interval $T_{\text{inquiry scan}}$ is defined as the interval between two consecutive inquiry scans. The inquiry scan interval shall be less than or equal to 2.56 s.

8.4.2 Inquiry substate

The Inquiry substate is used to discover new devices. This substate is very similar to the Page substate; the TX/RX timing shall be the same as in paging, see [Section 2.4.4](#) and [Figure 2.7](#). The TX and RX frequencies shall follow the inquiry hopping sequence and the inquiry response hopping sequence, and are determined by the general inquiry access code and the native clock of the discovering device. In between inquiry transmissions, the receiver shall scan for inquiry response messages. When a response is received, the entire packet (an FHS packet) shall be read. If the EIR bit in the FHS packet is set to one, the device should try to receive the extended inquiry response packet 1250 μs after the start of the FHS packet. After this, the device shall continue with inquiry transmissions. The device in an Inquiry substate shall not acknowledge the inquiry response messages. If enabled by the Host (see HCI [\[Vol 4\] Part E, Section 7.3.50](#)), the RSSI value of the inquiry response message shall be measured. It shall keep probing at different hop channels and in between listening for response packets. As in the Page substate, two 10 ms trains **A** and **B** are defined, splitting the 32 frequencies of the inquiry hopping sequence into two 16-hop parts. A single train shall be repeated for at least $N_{\text{inquiry}}=256$ times before a new train is used. In order to collect all responses in an error-free environment, at least three train switches must have taken place. As a result, the Inquiry substate may have to last for 10.24 s unless the inquirer collects enough responses and aborts the Inquiry substate earlier. If desired, the



inquirer may also prolong the Inquiry substate to increase the probability of receiving all responses in an error-prone environment. When some receive slots are periodically not available, it may require up to 31 train switches to collect all responses in an error-free environment, depending on the pattern of the available receive slots. Before each switch to train **A**, k_{nudge} may be updated. As a result, the Inquiry substate may have to last for 40.96 s. If an inquiry procedure is automatically initiated periodically (say a 10 s period every minute), then the interval between two inquiry instances shall be determined randomly. This is done to avoid two devices synchronizing their inquiry procedures.

The Inquiry substate is continued until stopped by the Baseband Resource Manager (when it decides that it has sufficient number of responses), when a timeout has been reached ($Inquiry_Length + Extended_Inquiry_Length$), or by a command from the Host to cancel the inquiry procedure.

The Inquiry substate can be entered from the Standby state or the Connection state. In the Standby state, no connection has been established and the device can use all the capacity to carry out the inquiry. Before entering the Inquiry substate from the Connection state, the device should free as much capacity as possible for inquiry. To ensure this, it is recommended that the ACL logical transports are placed in Sniff mode or Hold mode. However, the reserved slots of synchronous logical transports shall not be disturbed by the inquiry. This means that the inquiry will be interrupted by the reserved SCO and eSCO slots which have higher priority than the inquiry. In order to obtain as much capacity as possible for inquiry, it is recommended to use the SCO packets which use the least amount of capacity (**HV3** packets). If SCO or eSCO links are present, the repetition number $N_{inquiry}$ shall be increased, see [Table 8.4](#).

Here it has been assumed that **HV3** packets are used with an interval $T_{SCO}=6$ slots or **EV3** packets are used with an interval of $T_{eSCO}=6$ slots, which would correspond to a 64 kb/s synchronous link.

	No synchronous links	One synchronous link (HV3)	Two synchronous links (HV3)
$N_{inquiry}$	≥ 256	≥ 512	≥ 768

Table 8.4: Increase of train repetition when synchronous links are present

If an extended inquiry response packet could not be received because of higher priority traffic, the reception failed due to HEC or CRC failure, or because the packet type is not supported by the device, the inquiry response shall be reported to higher layers as an extended inquiry response with all-zero data.

8.4.3 Inquiry Response substate

The response substate for inquiries differs completely from the Peripheral Page Response substate applied for pages. When the inquiry message is



received in the Inquiry Scan substate, the recipient shall return an inquiry response (FHS) packet containing the recipient's device address (BD_ADDR) and other parameters. If the recipient has non-zero extended inquiry response data to send it shall return an extended inquiry response packet after the FHS packet.

The following protocol in the Peripheral's inquiry response shall be used. On the first inquiry message received in the Inquiry Scan substate the Peripheral shall enter the Inquiry Response substate. If the Peripheral has non-zero extended inquiry response data to send it shall return an FHS packet with the EIR bit set to one to the Central 625 μ s after the inquiry message was received. It shall then return an extended inquiry response packet 1250 μ s after the start of the FHS packet. If the Peripheral's extended inquiry response data is all zeroes the Peripheral shall only return an FHS packet with the EIR bit set to zero. A contention problem could arise when several devices are in close proximity to the inquiring device and all respond to an inquiry message at the same time. However, because every device has a free running clock it is highly unlikely that they all use the same phase of the inquiry hopping sequence. In order to avoid repeated collisions between devices that wake up in the same inquiry hop channel simultaneously, a device shall back-off for a random period of time. Thus, if the device receives an inquiry message and returns an FHS packet, it shall generate a random number, RAND, between 0 and MAX_RAND. For scanning intervals ≥ 1.28 s MAX_RAND shall be 1023, however, for scanning intervals < 1.28 s MAX_RAND may be as small as 127. A profile that uses a special DIAC may choose to use a smaller MAX_RAND than 1023 even when the scanning interval is ≥ 1.28 s. The Peripheral shall return to the Connection or Standby state for the duration of at least RAND time slots. Before returning to the Connection and Standby state, the device may go through the Page Scan substate. After at least RAND slots, the device shall add an offset of 1 to the phase in the inquiry hop sequence (the phase has a 1.28 s resolution) and return to the Inquiry Scan substate again. If the Peripheral is triggered again, it shall repeat the procedure using a new RAND. The offset to the clock accumulates each time an **FHS** packet is returned. During a probing window, a Peripheral may respond multiple times, but on different frequencies and at different times. Reserved synchronous slots should have priority over response packets; that is, if a response packet overlaps with a reserved synchronous slot, it shall not be sent but the next inquiry message is awaited. If a device has extended inquiry response data to send but the extended inquiry response packet overlaps with a reserved synchronous slot the FHS packet may be sent with the EIR bit set to zero.

The messaging during the inquiry routines is summarized in [Table 8.5](#). In step 1, the Central transmits an inquiry message using the inquiry access code and its own clock. The Peripheral responds with the **FHS** packet containing the Peripheral's Bluetooth Device Address, native clock and other Peripheral information. This **FHS** packet is returned at times that tend to be random. The **FHS** packet is not acknowledged in the inquiry routine, but it is retransmitted at other times and frequencies as long as the Central is probing with inquiry



messages. If the Peripheral has non-zero extended inquiry response data it sends an extended inquiry response packet to the Central in step 3.

The extended inquiry response packet is an ACL packet with type DM1, DM3, DM5, DH1, DH3 or DH5. To minimize interference it is recommended to use the shortest packet that fits the data. The packet shall be sent on the same frequency as the FHS packet, 1250 μ s after the start of the FHS packet. In the packet header, LT_ADDR shall be set to zero. TYPE shall be one of DM1, DM3, DM5, DH1, DH3 or DH5. FLOW, ARQN and SEQN shall all be set to zero and ignored during receipt. The HEC LFSR shall be initialized with the same DCI (default check initialization) as for the FHS packet. In the payload header, LLID shall contain the value 10 (start of an L2CAP message or no fragmentation). FLOW shall be set to zero and ignored upon receipt. The length of the payload body (LENGTH) shall be smaller than or equal to 240 bytes. The CRC LFSR shall be initialized with the same DCI as for the FHS packet. The data whitening LFSR shall be initialized with the same value as for the FHS packet.

The payload data has two parts, a significant part followed by a non-significant part. The significant part contains a sequence of data structures as defined in [Vol 3] Part C, Section 8. The non-significant part contains all-zero octets.

The Baseband shall not change any octets in the significant part. When transmitting data, the non-significant part octets may be omitted from the payload.

A device shall store a single extended inquiry response packet. This packet shall be used with all IACs.

Step	Message	Packet Type	Direction	Hopping Sequence	Access Code and Clock
1	Inquiry	ID	Central to Peripheral	inquiry	inquiry
2	Inquiry response	FHS	Peripheral to Central	inquiry response	inquiry
3	Extended Inquiry Response	DM1, DM3, DM5, DH1, DH3, DH5	Peripheral to Central	inquiry response *	inquiry

Table 8.5: Messaging during inquiry routines

* The extended inquiry response packet is sent on the same frequency as the inquiry response (FHS) packet.



8.5 CONNECTION STATE

In the Connection state, the connection has been established and packets can be sent back and forth, with the exception of Connectionless Peripheral Broadcast mode, in which case packets are only sent from the Central. In both devices, the channel access code (derived from the Central's BD_ADDR), the Central's Bluetooth clock, and the AFH_channel_map are used. Connection state uses the basic or adapted channel hopping sequence.

There are two ways to enter the Connection state. A device can transition from the Page or Page Scan substates to the Connection state or directly from the Standby state to the Connectionless Peripheral Broadcast mode of the Connection state.

If a device enters from the Page or Page Scan substates, the Connection state starts with a POLL packet sent by the Central to verify the switch to the Central's timing and channel frequency hopping. The Peripheral may respond with a NULL, DM1, or DH1 packet. If the Peripheral does not receive the POLL packet or the Central does not receive the response packet for *newconnectionTO* number of slots, both devices shall return to Page or Page Scan substate.

The first information packets in the Connection state contain control messages that characterize the link and give more details regarding the devices. These messages are exchanged between the link managers of the devices. For example, they may define the SCO logical transport and the sniff parameters. Then the transfer of user information can start by alternately transmitting and receiving packets.

The Connection state is left through a Detach or Reset command. The Detach command is used if the link has been disconnected in the normal way; all configuration data in the Link Controller shall remain valid. The Reset command is a soft reset of the Link Controller. The functionality of the soft reset is described in [\[Vol 4\] Part E, Section 7.3.2](#).

In the Connection state, if a device is not going to be nominally present on the channel at all times it may describe its unavailability by using Sniff mode or Hold mode (see [Figure 8.7](#)).

If a device enters the Connectionless Peripheral Broadcast mode of the Connection state, the Transmitter (Central) starts by sending packets on the CPB logical transport and the Receiver (Peripheral) starts by receiving packets sent on the CPB logical transport.

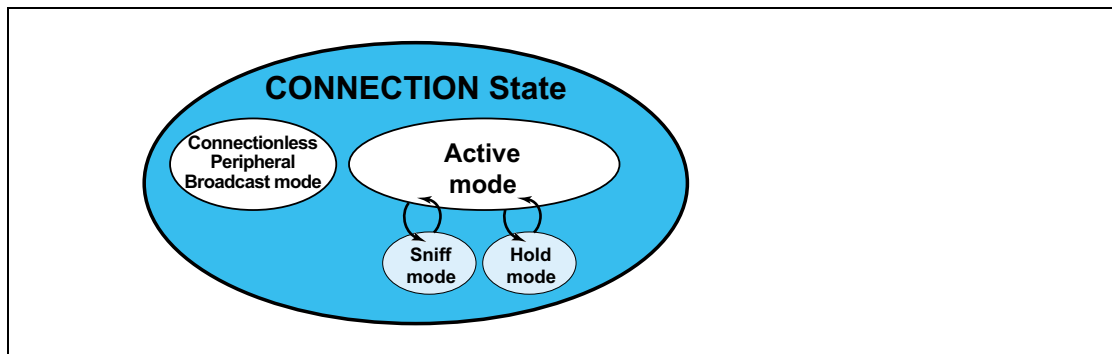


Figure 8.7: Connection state

8.6 ACTIVE MODE

In the Active mode, both Central and Peripheral actively participate on the channel. Up to seven Peripherals may be in the Active mode at any given time in a piconet. The Central schedules the transmission based on traffic demands to and from the different Peripherals. In addition, it supports regular transmissions to keep Peripherals synchronized to the channel. Peripherals in the Active mode listen in the Central-to-Peripheral slots for packets. These devices are known as *active Peripherals*. If an active Peripheral is not addressed, it may sleep until the next new Central transmission. Peripherals can derive the number of slots the Central has reserved for transmission from the TYPE field in the packet header; during this time, the non-addressed Peripherals do not have to listen on the Central-to-Peripheral slots. When a device is participating in multiple piconets it should listen in the Central-to-Peripheral slot for the current piconet. It is recommended that a device not be away from each piconet in which it is participating for more than T_{poll} slots. A periodic Central transmission is required to keep the Peripherals synchronized to the channel. Since the Peripherals only need the channel access code to synchronize, any packet type can be used for this purpose.

Only the Peripheral that is addressed by one of its LT_ADDRs (primary or secondary) may return a packet in the next Peripheral-to-Central slot. If no valid packet header is received, the Peripheral may only respond in its reserved SCO or eSCO Peripheral-to-Central slot. In the case of a broadcast message, no Peripheral shall return a packet.



Figure 8.8: RX/TX timing in multi-Peripheral configuration

For ACL logical transports the mode selection may be left to real time packet type selections. The packet type table (ptt) in Section 6.5 allows the selection of Basic Rate or Enhanced Data Rate for each of the packet type codes, however; the DM1 packet is available in all packet type tables. ACL traffic over this given physical or logical link shall utilize the packet types in the given column of Table 6.2.

8.6.1 Polling in the Active mode

The Central always has full control over the piconet. Due to the TDD scheme, Peripherals can only communicate with the Central and not other Peripherals. In order to avoid collisions on the ACL logical transport, a Peripheral is only allowed to transmit in the Peripheral-to-Central slot when addressed by the LT_ADDR in the packet header in the preceding Central-to-Peripheral slot. If the LT_ADDR in the preceding slot does not match, or a valid packet header was not received, the Peripheral shall not transmit.

The Central normally attempts to poll a Peripheral's ACL logical transport no less often than once every T_{poll} slots. T_{poll} is set by the Link Manager (see [Vol 2] Part C, Section 4.1.8).

The Peripheral's ACL logical transport may be polled with any packet type except for FHS and ID. For example, polling during SCO may use HV packets, since the Peripheral may respond to an HV packet with a DM1 packet (see Section 8.6.2).

8.6.2 SCO

The SCO logical transport shall be established by the Central sending a SCO setup message via the LM protocol. This message contains timing parameters



including the SCO interval T_{SCO} and the offset D_{SCO} to specify the reserved slots.

In order to prevent clock wrap-around problems, an initialization flag in the SCO setup message indicates whether initialization procedure 1 or 2 is being used. The Peripheral shall apply the initialization method as indicated by the initialization flag. The Central shall use initialization 1 when the MSB of the Central's current clock (CLK_{27}) is 0; it shall use initialization 2 when the MSB of the Central's current clock (CLK_{27}) is 1. The Central-to-Peripheral SCO slots reserved by the Central and the Peripheral shall be initialized on the slots for which the clock satisfies the applicable equation:

$$CLK_{27-1} \bmod T_{SCO} = D_{SCO} \quad \text{for initialization 1}$$

$$(\overline{CLK_{27}}, CLK_{26-1}) \bmod T_{SCO} = D_{SCO} \quad \text{for initialization 2}$$

The Peripheral-to-Central SCO slots shall directly follow the reserved Central-to-Peripheral SCO slots. After initialization, the clock value $CLK(k+1)$ for the next Central-to-Peripheral SCO slot shall be derived by adding the fixed interval T_{SCO} to the clock value of the current Central-to-Peripheral SCO slot:

$$CLK_{27-1}(k+1) = CLK_{27-1}(k) + T_{SCO}$$

The Central will send SCO packets to the Peripheral at regular intervals (the SCO interval T_{SCO} counted in slots) in the reserved Central-to-Peripheral slots. An HV1 packet can carry 1.25 ms of speech at a 64 kb/s rate. An HV1 packet shall therefore be sent every two time slots ($T_{SCO}=2$). An HV2 packet can carry 2.5 ms of speech at a 64 kb/s rate. An HV2 packet shall therefore be sent every four time slots ($T_{SCO}=4$). An HV3 packet can carry 3.75 ms of speech at a 64 kb/s rate. An HV3 packet shall therefore be sent every six time slots ($T_{SCO}=6$).

The Peripheral is allowed to transmit in the slot reserved for its SCO logical transport unless a packet with the correct access code was received in the preceding slot and the LT_ADDR did not address this Peripheral (irrespective of whether or not the HEC was correct). If the correct LT_ADDR was received in the preceding slot but the HEC was incorrect, the Peripheral should not transmit in the reserved SCO slot.

Since the DM1 packet is recognized on the SCO logical transport, it may be sent during the SCO reserved slots if a valid packet header with the primary LT_ADDR is received in the preceding slot. DM1 packets sent during SCO reserved slots shall only be used to send ACL-C data.

The Peripheral shall not transmit anything other than an HV packet in a reserved SCO slot unless it decodes its own Peripheral address in the packet header of the packet in the preceding Central-to-Peripheral transmission slot.



8.6.3 eSCO

The eSCO logical transport is established by sending an eSCO setup message via the LM protocol. This message contains timing parameters including the eSCO interval T_{eSCO} and the offset D_{eSCO} to specify the reserved slots.

To enter eSCO, the Central or Peripheral shall send an eSCO setup message via the LM protocol. This message shall contain the eSCO interval T_{eSCO} and an offset D_{eSCO} . In order to prevent clock wrap-around problems, an initialization flag in the eSCO setup message indicates whether initialization procedure 1 or 2 shall be used. The device sending the eSCO setup message shall use initialization 1 when the MSB of the Central's current clock (CLK_{27}) is 0; it shall use initialization 2 when the MSB of the Central's current clock (CLK_{27}) is 1. The device that receives the eSCO setup message shall apply the initialization method as indicated by the initialization flag. The Central-to-Peripheral eSCO slots reserved by the Central and the Peripheral shall be initialized on the slots for which the clock satisfies the applicable equation:

$$\text{CLK}_{27-1} \bmod T_{\text{eSCO}} = D_{\text{eSCO}} \quad \text{for initialization 1}$$

$$(\overline{\text{CLK}}_{27}, \text{CLK}_{26-1}) \bmod T_{\text{eSCO}} = D_{\text{eSCO}} \quad \text{for initialization 2}$$

The Peripheral-to-Central eSCO slots shall directly follow the reserved Central-to-Peripheral eSCO slots. After initialization, the clock value $\text{CLK}(k+1)$ for the next Central-to-Peripheral eSCO slot shall be found by adding the fixed interval T_{eSCO} to the clock value of the current Central-to-Peripheral eSCO slot:

$$\text{CLK}_{27-1}(k+1) = \text{CLK}_{27-1}(k) + T_{\text{eSCO}}$$

When an eSCO logical transport is established, the Central shall assign an additional LT_ADDR to the Peripheral. This provides the eSCO logical transport with an ARQ scheme that is separate from that of the ACL logical transport. All traffic on a particular eSCO logical transport, and only that eSCO traffic, is carried on the eSCO LT_ADDR . The eSCO ARQ scheme uses the ARQN bit in the packet header, and operates similarly to the ARQ scheme on ACL links.

The Central may send a packet in the reserved Central-to-Peripheral slot. The Peripheral may transmit on the eSCO LT_ADDR in the following slot either if it received a packet on the eSCO LT_ADDR in the previous slot, or if it did not receive a valid packet header in the previous slot. When the Central-to-Peripheral packet type is a three-slot packet, the Peripheral's transmit slot is the fourth slot of the eSCO reserved slots.

A Central shall transmit in an eSCO retransmission window on a given eSCO LT_ADDR only if it addressed that eSCO LT_ADDR or did not transmit any packet in the immediately preceding eSCO reserved slots. A Peripheral shall transmit in an eSCO retransmission window on a given eSCO LT_ADDR only if it received a valid packet header and that LT_ADDR on the eSCO channel in the previous Central-to-Peripheral transmission slot. The Central may transmit



on any non-eSCO LT_ADDR in any Central-to-Peripheral transmission slot inside the eSCO retransmission window; if it addresses a Peripheral, that Peripheral may respond on the ACL channel as usual.

The Central shall only transmit on an eSCO LT_ADDR in the retransmission window if there are enough slots left for both the Central and Peripheral packets to complete in the retransmission window. If the Central is transmitting a NULL packet (with ARQN=ACK), then this requires one slot, otherwise it requires enough slots for the Central's negotiated eSCO packet type plus:

- if the Central's packet has ARQN=NAK, then enough slots for the Peripheral's negotiated eSCO packet type;
- if the Central's packet has ARQN=ACK, then one slot.

The Central may refrain from transmitting in any slot during the eSCO retransmission window. When there is no data to transmit from Central to Peripheral, either due to the traffic being unidirectional or due to the Central-to-Peripheral packet having been ACK'ed, the Central shall use the POLL packet. When the Central-to-Peripheral packet has been ACK'ed, and the Peripheral-to-Central packet has been correctly received, the Central shall not address the Peripheral on the eSCO LT_ADDR until the next eSCO reserved slot, with the exception that the Central may transmit a NULL packet with ARQN=ACK on the eSCO LT_ADDR. If the Central is transmitting on the eSCO LT_ADDR during a retransmission slot and there is no data to transmit from Peripheral to Central, either due to the traffic being unidirectional or due to the Peripheral-to-Central packet having been ACK'ed, the Peripheral shall use NULL packets. eSCO traffic should be given priority over ACL traffic in the retransmission window.

Figure 8.9 shows the eSCO window when single slot packets are used.

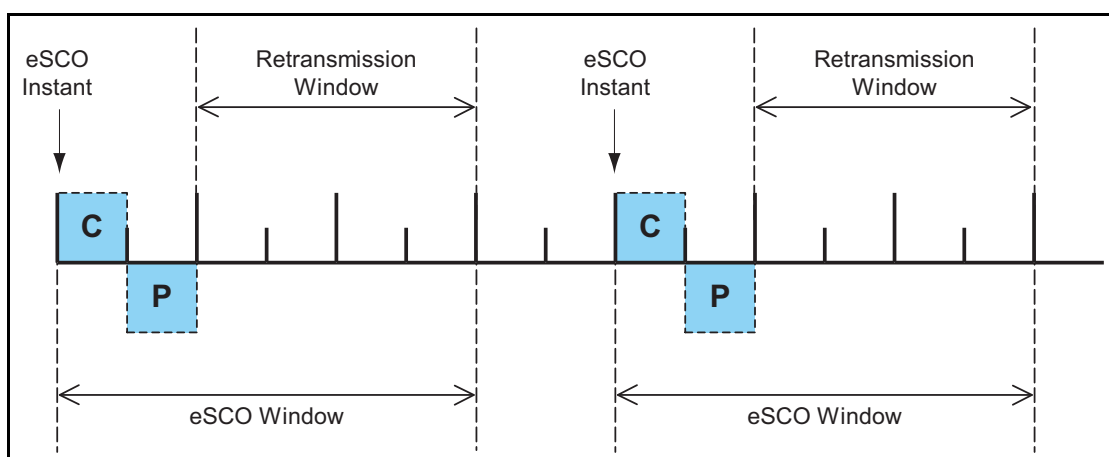


Figure 8.9: eSCO window details for single-slot packets

When multi-slot packets are used in either direction of the eSCO logical transport, the first transmission continues into the following slots. The retransmission window in this case starts the slot after the end of the



Peripheral-to-Central packet, i.e. two, four or six slots immediately following the eSCO instant are reserved and should not be used for other traffic. Figure 8.10 shows the eSCO window when multi-slot packets are used in one direction and single-slot packets are used in the other direction.

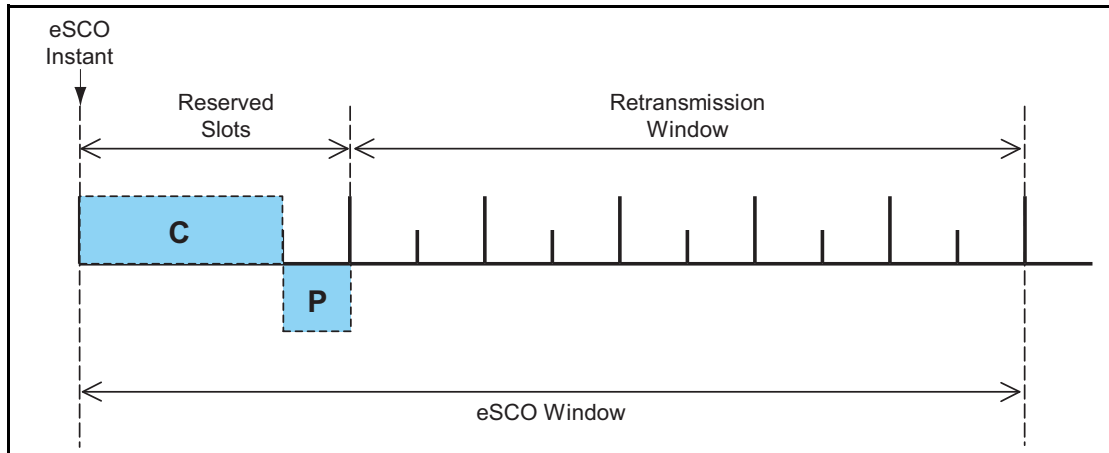


Figure 8.10: eSCO window details for asymmetric traffic

eSCO windows may overlap on the Central, but shall not overlap on an individual Peripheral.

In the reserved slots both Central and Peripheral shall only listen and transmit at their allocated slots at the first transmission time of each eSCO window. Intermittent lapses due to, for instance, time-critical signaling during connection establishment are allowed. Both Central and Peripheral may refrain from sending data and may use instead POLL and NULL packets respectively. When the Central transmits a POLL packet instead of an eSCO 3-slot packet, or the Peripheral does not receive anything in the reserved Central-to-Peripheral transmission slot, it shall start any transmission in the same slot as if the Central had transmitted the negotiated packet type. For example, if the Central had negotiated an EV5 packet the Peripheral would transmit three slots later. If the Central does not receive a Peripheral transmission in response to an eSCO packet it causes an implicit NAK of the packet in question. The listening requirements for the Peripheral during the retransmission window are the same as for an active ACL logical transport.

8.6.4 Broadcast scheme

The Central of the piconet can broadcast messages to all Peripherals on the APB logical transport. An APB broadcast packet shall have an LT_ADDR set to all zero. If a new broadcast message carries APB-U data, it may be fragmented in the same way as ACL packets. Therefore it shall start with a packet carrying the start of L2CAP message indication (LLID=0b10) and may be followed by packets carrying the continuation of L2CAP message indication (LLID=0b01). If a new broadcast message carries APB-C data, it shall not be fragmented and shall consist of a single packet carrying the LMP message indication



(LLID=0b11). In either case, the Central may carry out a number of retransmissions of each of these packets to increase the probability for error-free delivery; see also [Section 7.6.5](#).

A broadcast packet shall never be acknowledged by the Baseband.

The Broadcast LT_ADDR shall use a ptt=0.

8.6.5 Role switch

There are several occasions when a role switch is used:

- A role switch is necessary in order to make a paging device a Peripheral when joining an existing piconet, since by definition the paging device is initially Central of a piconet involving the pager (Central) and the paged (Peripheral) device.
- A role switch is necessary in order for a Peripheral in an existing piconet to set up a new piconet with itself as Central and the original piconet Central as Peripheral. If the original piconet had more than one Peripheral, then this implies a double role for the original piconet Central; it becomes a Peripheral in the new piconet while still maintaining the original piconet as Central.

Prior to the role switch, encryption if present, shall be paused or disabled in the old piconet. A role switch shall not be performed if the physical link is in Sniff or Hold mode, or has any synchronous logical transports.

For the Central and Peripheral involved in the role switch, the switch results in a reversal of their TX and RX timing: a TDD switch. Additionally, since the piconet parameters are derived from the Bluetooth Device Address and clock of the Central, a role switch inherently involves a redefinition of the piconet as well: a piconet switch. The new piconet's parameters shall be derived from the former Peripheral's device address and clock.

Assume device A is to become Central; device B was the former Central. Then there are two alternatives: either the Peripheral initiates the role switch or the Central initiates the role switch. These alternatives are described in Link Manager Protocol, [\[Vol 2\] Part C, Section 4.4.2](#). The Baseband procedure is the same regardless of which alternative is used.

To begin the role switch, A and B shall perform a TDD switch using the former hopping scheme (still using the Bluetooth Device Address and clock of device B), so there is no piconet switch yet. The slot offset information sent by A shall not be used yet; it is used when both devices have switched to the new piconet and device B is positioning its correlation window. Device A now becomes the Central, device B the Peripheral.

At the moment of the TDD switch, both devices A and B shall start a timer with a time out of *newconnectionTO*. The timer shall be stopped in B as soon as it receives an FHS packet from A on the TDD-switched channel. The timer shall be stopped in A as soon as it receives an ID packet from B. If the



newconnectionTO expires, A and B shall return to the old piconet timing and AFH state, taking their old roles of Peripheral and Central respectively. The FHS packet shall be sent by A using the "old" piconet parameters. The LT_ADDR in the FHS packet header shall be the former LT_ADDR used by device A. The LT_ADDR carried in the FHS payload shall be the new LT_ADDR intended for device B when operating on the new piconet. After the FHS acknowledgment, which is the ID packet and shall be sent by B on the old hopping sequence, both A and B shall use the new channel parameters of the new piconet as indicated by the FHS with the sequence selection set to basic channel hopping sequence. If the new Central A has physical links that are *AFH enabled*, following the piconet switch the new Central is responsible for controlling the AFH operational mode of its new Peripheral B.

Since the old and new Centrals' clocks are synchronized, the clock information sent in the FHS payload shall indicate the new Central's clock at the beginning of the FHS packet transmission. Furthermore, the 1.25 ms resolution of the clock information given in the FHS packet is not sufficient for aligning the slot boundaries of the two piconets. The slot-offset information in the LMP message previously sent by device A shall be used to provide more accurate timing information. The slot offset indicates the delay between the start of the Central-to-Peripheral slots of the old and new piconet channels. This timing information ranges from 0 to 1249 μ s with a resolution of 1 μ s. It shall be used together with the clock information in the FHS packet to accurately position the correlation window when switching to the new Central's timing after acknowledgment of the FHS packet.

After reception of the FHS packet acknowledgment, the new Central A shall switch to its own timing with the sequence selection set to the basic channel hopping sequence and shall send a POLL packet to verify the switch. Both A and B shall start a new timer with a time out of *newconnectionTO* on FHS packet acknowledgment. The start of this timer shall be aligned with the beginning of the first Central TX slot boundary of the new piconet, following the FHS packet acknowledgment. B shall stop the timer when the POLL packet is received; A shall stop the timer when the POLL packet is acknowledged. The Peripheral B shall respond with a NULL, DM1, or DH1 packet to acknowledge the POLL. Any pending AFH_Instants shall be cancelled once the POLL packet has been received by the Peripheral. If no response is received, A shall re-send the POLL packet until *newconnectionTO* is reached. If this timer expires, both A and B shall return to the old piconet timing with the old roles: B as Central and A as Peripheral. Expiry of the timer shall also restore the state associated with AFH (including any pending AFH_Instants), Channel Quality Driven Data Rate (CQDDR, Link Manager Protocol [Vol 2] Part C, Section 4.1.7) and power control (Link Manager Protocol [Vol 2] Part C, Section 4.1.3). The role switch procedure may then restart from the TDD switch. Aligning the timer with TX boundaries of the new piconet ensures that no device returns to the old piconet timing in the middle of a Central RX slot.



The messaging during a successful role switch is summarized in [Table 8.6](#).

Step	Message or Packet Type	Direction	Central
1	LMP_ACCEPTED	Responder → Initiator	B
2	FHS	A → B	B
3	ID	B → A	B
4	POLL	A → B	A
5	NULL/DM1/DH1	B → A	A

Table 8.6: Messaging during successful role switch

After the role switch the ACL logical transport is reinitialized as if it were a new connection. For example, the SEQN of the first data packet containing a CRC on the new piconet channel shall be set according to the rules in [Section 7.6.2](#).

8.6.6 Scatternet

Multiple piconets can cover the same area. Since each piconet has a different Central, the piconets hop independently, each with their own hopping sequence and phase as determined by the respective Central. In addition, the packets carried on the channels are preceded by different channel access codes as determined by the Centrals' device addresses. As more piconets are added, the probability of collisions increases; a graceful degradation of performance results as is common in frequency-hopping spread spectrum systems.

If multiple piconets cover the same area, a device can participate in two or more overlaying piconets by applying time multiplexing. To participate on the proper channel, it shall use the associated Central's device address and proper clock offset to obtain the correct phase. A device can act as a Peripheral in several piconets, but only as a Central in a single piconet: since two piconets with the same Central are synchronized and use the same hopping sequence, they are one and the same piconet. A group of piconets in which connections exist between different piconets is called a *scatternet*.

A Central or Peripheral can become a Peripheral in another piconet by being paged by the Central of this other piconet. On the other hand, a device participating in one piconet can page the Central or Peripheral of another piconet. Since the paging device always starts out as Central, a role switch is required if a Peripheral role is desired. This is described in [Section 8.6.5](#).

8.6.6.1 Inter-piconet communications

Time multiplexing must be used to switch between piconets. Devices may achieve the time multiplexing necessary to implement scatternet by using Sniff mode or by remaining in an active ACL connection. For an ACL connection in piconets where the device is a Peripheral in the Connection state, it may



choose not to listen in every Central slot. In this case it should be recognized that the quality of service on this link can degrade abruptly if the Peripheral is not present enough to match up with the Central polling that Peripheral. Similarly, in piconets where the device is Central it may choose not to transmit in every Central slot. In this case it is important to honor T_{poll} as much as possible. Devices in Sniff mode could have sufficient time to visit another piconet in between sniff slots. When the device is a Peripheral using Sniff mode and there are not sufficient idle slots, the device may choose to not listen to all Central transmission slots in the sniff_attempts period or during the subsequent sniff_timeout period. A Central is not required to transmit during sniff slots and therefore has flexibility for scatternet. If SCO or eSCO links are established, other piconets shall only be visited in the non-reserved slots in between reserved slots. This is only possible if there is a single SCO logical transport using HV3 packets or eSCO links where at least four slots remain in between the reserved slots. Since the multiple piconets are not synchronized, guard time must be left to account for misalignment. This means that only 2 slots can effectively be used to visit another piconet in between the HV3 packets.

Since the clocks of two Centrals of different piconets are not synchronized, a Peripheral participating in two piconets shall maintain two offsets that, added to its own native clock, create the two Centrals' clocks. Since the two Centrals' clocks drift independently, the Peripheral must regularly update the offsets in order to keep synchronization to both Centrals.

8.6.7 Hop sequence switching

Hop sequence adaptation is controlled by the Central and can be set to either *enabled* or *disabled*. Once enabled, hop sequence adaptation shall apply to all logical transports on a physical link. Once enabled, the Central may periodically update the set of *used* and *unused* channels as well as disable hop sequence adaptation on a physical link. When a Central has multiple physical links the state of each link is independent of all other physical links.

When hop sequence adaptation is enabled, the *sequence selection* hop selection kernel input is set to adapted channel hopping sequence and the *AFH_channel_map* input is set to the appropriate set of *used* and *unused* channels. Additionally, the *same channel* mechanism shall be used. When hop sequence adaptation is enabled with all channels *used* this is known as AHS(79).

When hop sequence adaptation is disabled, the *sequence selection* input of the hop selection kernel is set to basic channel hopping sequence (the *AFH_channel_map* input is unused in this case) and the *same channel* mechanism shall not be used.

The hop sequence adaptation state shall be changed when the Central sends the LMP_SET_AFH PDU and a Baseband acknowledgment is received. When the Baseband acknowledgment is received prior to the hop sequence switch



instant, *AFH_Instant*, (See Link Manager Protocol [Vol 2] Part C, Section 4.1.4) the hop sequence proceeds as shown in Figure 8.11.

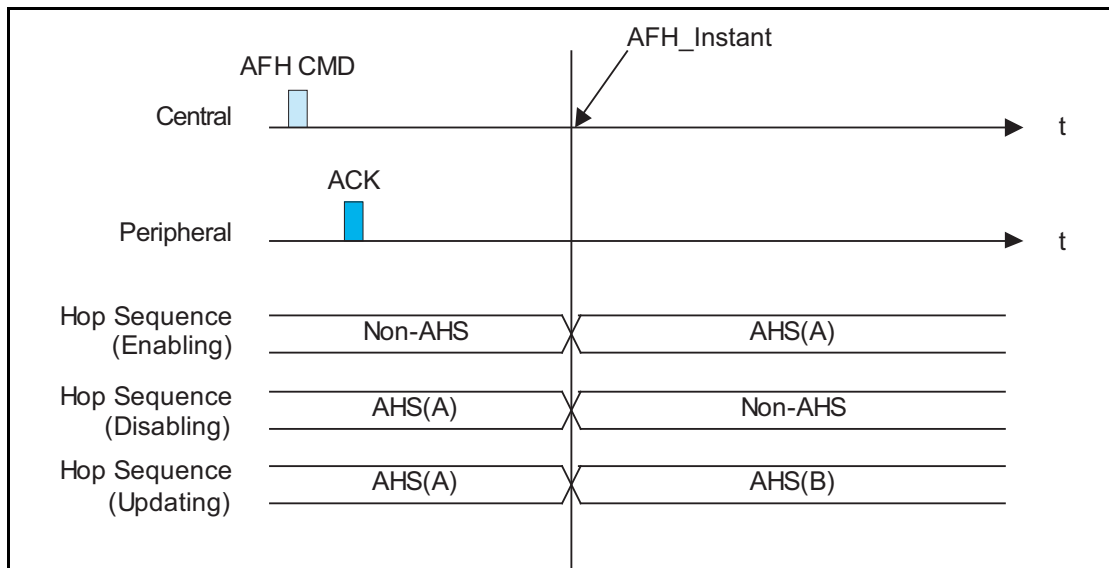


Figure 8.11: Successful hop sequence switching

When the Baseband acknowledgment is not received prior to the *AFH_Instant* the Central shall use a recovery hop sequence for the Peripheral(s) that did not respond with an acknowledgment (this may be because the Peripheral did not hear the Central’s transmission or the Central did not hear the Peripheral’s transmission). When hop sequence adaptation is being enabled or disabled the recovery sequence shall be the *AFH_channel_map* specified in the LMP_SET_AFH PDU. When the *AFH_channel_map* is being updated the Central shall choose a recovery sequence that includes all of the RF channels marked as *used* in either the old or new *AFH_channel_map*, e.g. AHS(79). Once the Baseband acknowledgment is received the Central shall use the *AFH_channel_map* in the LMP_SET_AFH PDU starting with the next transmission to the Peripheral. See Figure 8.12.

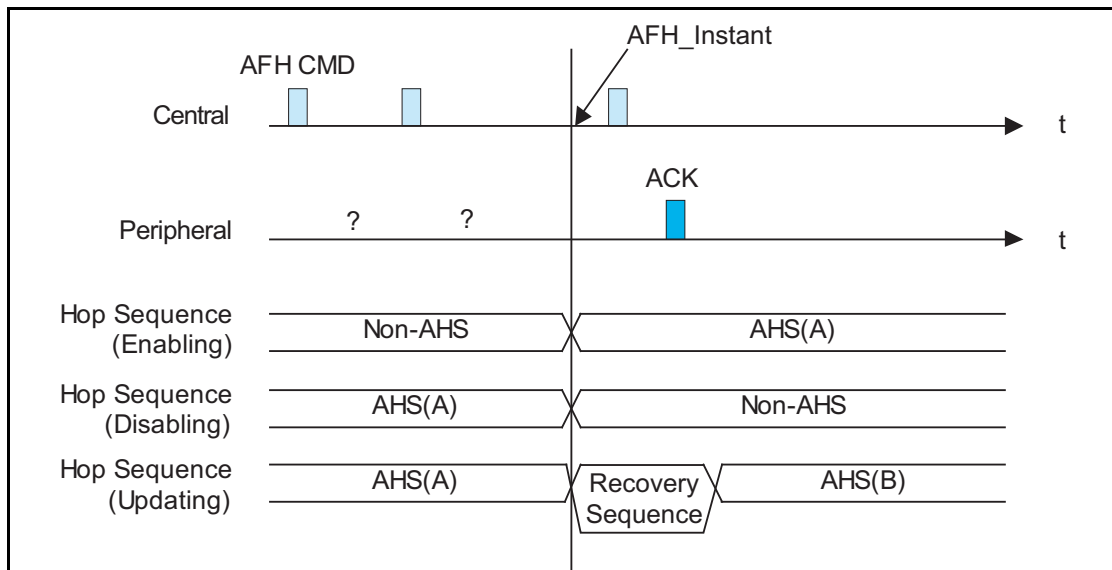


Figure 8.12: Recovery hop sequences

When the *AFH_Instant* occurs during a multi-slot packet transmitted by the Central, the Peripheral shall use the same hopping sequence parameters as the Central used at the start of the multi-slot packet. An example of this is shown in Figure 8.13. In this figure the basic channel hopping sequence is designated *f*. The first adapted channel hopping sequence is designated with *f'*, and the second adapted channel hopping sequence is designated *f''*.

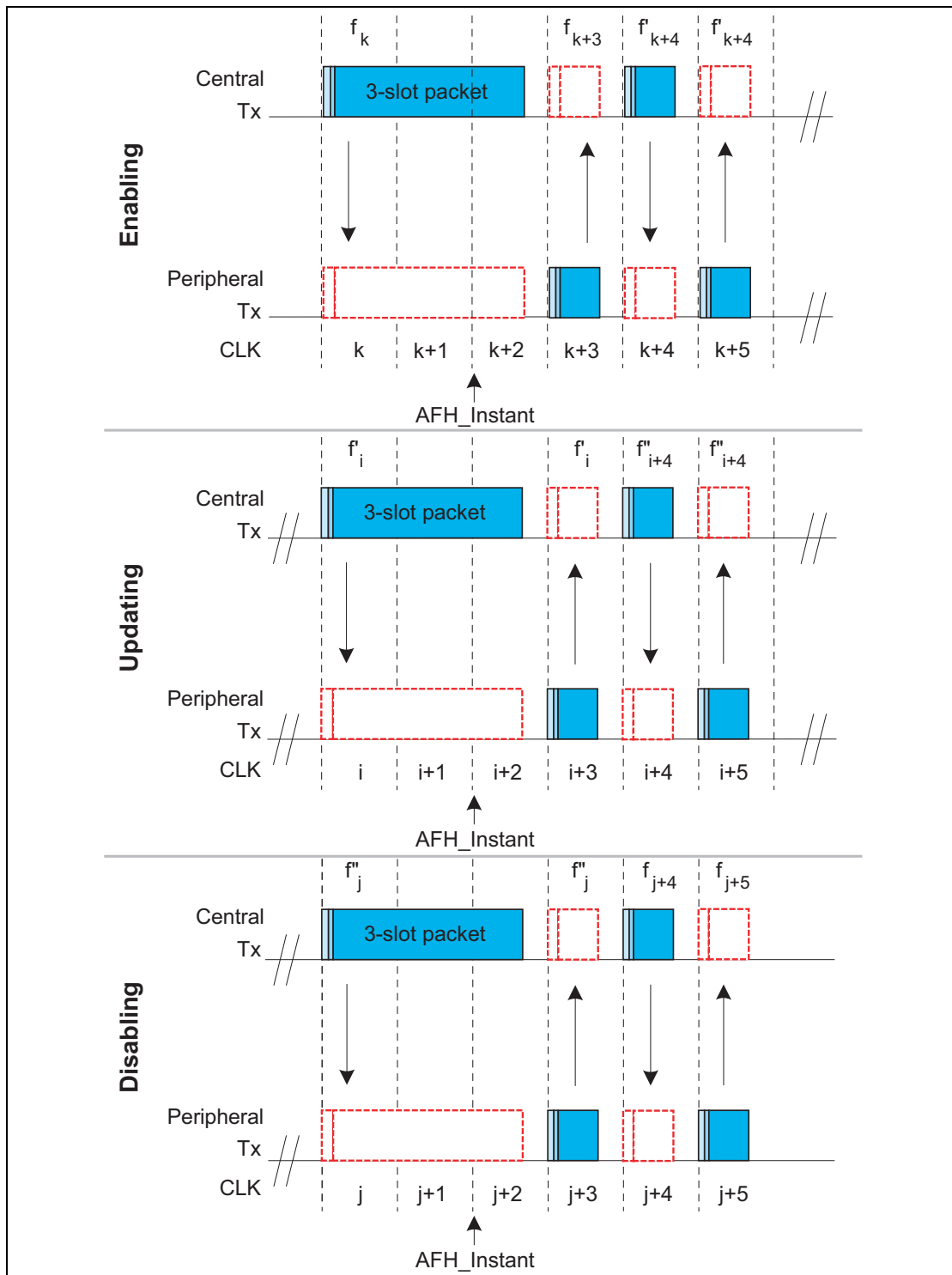


Figure 8.13: AFH_Instant changes during multi-slot packets transmitted by the Central

8.6.8 Channel classification and channel map selection

RF channels are classified as being *unknown*, *bad* or *good*. These classifications are determined individually by the Central and Peripherals based on local information (e.g. active or passive channel assessment methods or from the Host via HCI). Information received from other devices via



LMP (for example, an *AFH_channel_map* from a Central or a channel classification report from a Peripheral) shall not be included in a device’s channel classification.

The three possible channel classifications shall be as defined in [Table 8.7](#).

Classification	Definition
<i>unknown</i>	A channel shall be classified as <i>unknown</i> if the channel assessment measurements are insufficient to reliably classify the channel, and the channel is not marked as <i>bad</i> in the most recent HCI_Set_AFH_Host_Channel_Classification command.
<i>bad</i>	<p>A channel may be classified as <i>bad</i> if an ACL or synchronous throughput failure measure associated with it has exceeded a threshold (defined by the particular channel assessment algorithm employed).</p> <p>A channel may also be classified as <i>bad</i> if an interference-level measure associated with it, determining the interference level that the link poses upon other systems in the vicinity, has exceeded a threshold (defined by the particular channel assessment algorithm employed).</p> <p>A channel shall be classified as <i>bad</i> when it is marked as <i>bad</i> in the most recent HCI_Set_AFH_Host_Channel_Classification command.</p>
<i>good</i>	A channel shall be classified as <i>good</i> if it is not either <i>unknown</i> or <i>bad</i> .

Table 8.7: Channel classification descriptions

A Central with AFH enabled physical links shall determine an *AFH_channel_map* for each such link (two or more links may use the same map) based on any combination of the following information:

- Channel classification from local measurements (e.g. active or passive channel assessment in the Controller), if supported and enabled. The Host may enable or disable local measurements using the HCI_Write_AFH_Channel_Assessment_Mode command, defined in the HCI Functional Specification [\[Vol 4\] Part E, Section 7.3.54](#) if HCI is present.
- Channel classification information from the Host using the HCI_Set_AFH_Host_Channel_Classification command, defined in the HCI Functional Specification [\[Vol 4\] Part E, Section 7.3.46](#) if HCI is present. Channels classified as *bad* in the most recent *AFH_Host_Channel_Classification* shall be marked as *unused* in the *AFH_channel_map*.
- Channel classification reports received from Peripherals in *LMP_CHANNEL_CLASSIFICATION* PDUs, defined in the LMP Specification [\[Vol 2\] Part C, Section 4.1.5](#).

The algorithm used by the Central to combine these information sources and generate the *AFH_channel_map* is not defined in the specification and will be implementation specific. At no time shall the number of channels used be less than N_{min} , defined in [Section 2.3.1](#).



If a Central determines that all channels should be *used*, it may keep AFH operation enabled using an *AFH_channel_map* of 79 *used* channels, i.e., AHS(79).

For all devices that support the Synchronization Train substate (see [Section 8.11.2](#)), the RF channel indices used for the Synchronization Train (see [Section 2.6.4.8](#)) shall be marked as *unused* in the *AFH_channel_map* for all logical links.

8.6.9 Power management

Features are provided to allow low-power operation. These features are both at the microscopic level when handling the packets, and at the macroscopic level when using certain operation modes.

8.6.9.1 Packet handling

In order to minimize power consumption, packet handling is minimized both at TX and RX sides. At the TX side, power is minimized by only sending useful data. This means that if only link control information needs to be exchanged, **NULL** packets may be used. No transmission is required if there is no link control information to be sent, or if the transmission would only involve a NAK (NAK is implicit on no reply). If there is data to be sent, the payload length shall be adapted in order to send only the valid data bytes. At the RX side, packet processing takes place in different steps. If no valid access code is found in the search window, the transceiver may return to sleep. If an access code is found, the receiver device shall start to process the packet header. If the HEC fails, the device may return to sleep after the packet header. A valid header indicates if a payload will follow and how many slots are involved.

8.6.9.2 Slot occupancy

As was described in [Section 6.5](#), the packet type indicates how many slots a packet may occupy. A Peripheral not addressed in the packet header may go to sleep for the remaining slots the packet occupies. This can be read from the TYPE code.

8.6.9.3 Recommendations for low-power operation

The most common and flexible method for reducing power consumption is the use of Sniff mode. Hold mode can also be used by repeated negotiation of hold periods.

8.6.9.4 Enhanced Data Rate

Enhanced Data Rate provides power saving because of the ability to send a given amount of data in either fewer packets or with the same (or similar) number of packets but with shorter payloads.



8.6.10 Piconet clock adjustment

A Central may adjust the piconet clock during the existence of a piconet using two mechanisms: Coarse Clock Adjustment and Clock Dragging. Both mechanisms may be used within the same piconet.

8.6.10.1 Coarse clock adjustment

The Central carries out a coarse clock adjustment by selecting an adjustment instant (`clk_adj_instant`), which shall be a Central-to-Peripheral slot, and the amount of the adjustment, and then broadcasting these parameters to all Peripherals by sending LMP_CLK_ADJ (see [Vol 2] Part C, Section 4.1.14.1). The amount of the adjustment is specified as two values: `clk_adj_slots`, which is the change in the value of CLK[27:1] at the `clk_adj_instant`, and `clk_adj_us`, which is the number of microseconds between the start of a Central slot in the old clock (CLK_{old}) and in the new clock (CLK_{new}) domains.

The Central shall provide the opportunity for each Peripheral to acknowledge the adjustment with LMP_CLK_ADJ_ACK (see [Vol 2] Part C, Section 4.1.14.1). If the Central receives any other packet than LMP_CLK_ADJ_ACK with the current `clk_adj_id`, it should poll the Peripheral more times until the expected acknowledgment is received or the Peripheral responds with a NULL packet. If any Peripheral does not acknowledge the adjustment, the Central shall start the Coarse Clock Adjustment Recovery Mode (see Section 8.6.10.2).

When the `clk_adj_instant` occurs, the Central will add (`clk_adj_slots` * 625 + `clk_adj_us`) μ s to `time_base_offset` and the Peripheral(s) will add the same amount to `peripheral_clock_offset`. If the `clk_adj_instant` occurs during a multi-slot packet the adjustment is delayed until the start of the following Central-to-Peripheral slot. If a role switch is successful prior to the `clk_adj_instant`, the pending coarse clock adjustment shall be discarded. The effect of the adjustment is that devices will use the new clock domain starting at `clk_adj_instant`.

Figure 8.14 shows an example of a positive clock adjustment. In this example the `clk_adj_instant` is set to slot 12 (which is in the old clock domain), `clk_adj_slots` is set to 6 and `clk_adj_us` is set to 400. Time is moved forward $clk_adj_slots * 625 + clk_adj_us = 6 * 625 + 400 = 4150 \mu s$. The initial slot in the new clock domain is at $CLK_{new}[27:1] = clk_adj_instant + clk_adj_slots = 12 + 6 = 18$. This is an even value so the first slot is a Central-to-Peripheral slot. A positive `clk_adj_us` means that the first slot is assumed to have started `clk_adj_us` before the `clk_adj_instant`, and hence only $625 - clk_adj_us = 225 \mu s$ remains after the instant. Since transmissions cannot be started part way through a slot, this partial slot is unusable. The first complete slot after the `clk_adj_instant` is a Peripheral-to-Central slot which can be used, for example, for eSCO. If `clk_adj_slots` had been an odd number, the first complete slot would have been a Central-to-Peripheral slot. The first complete Central-to-Peripheral slot in this example happens at $CLK_{new}[27:1] = 20$.

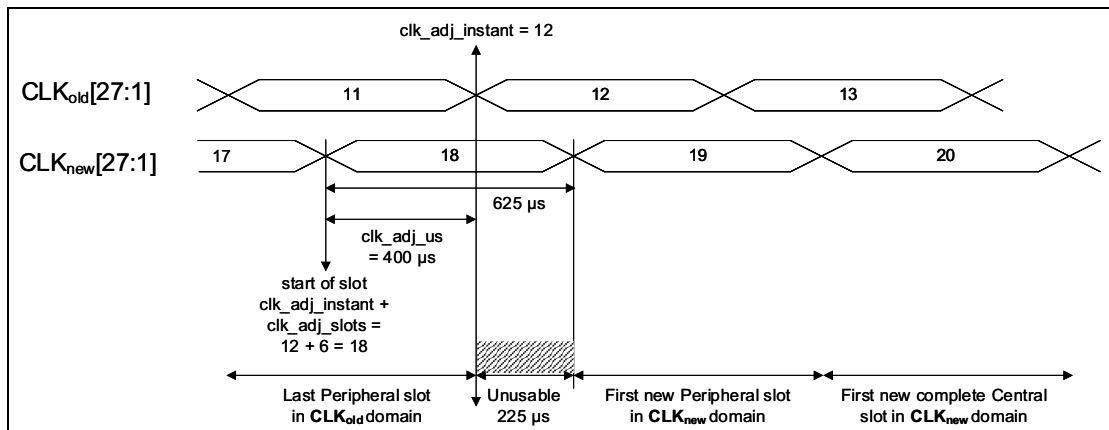


Figure 8.14: Positive coarse clock adjustment

Figure 8.15 shows an example of a negative clock adjustment. In this example the `clk_adj_instant` is again set to slot 12, `clk_adj_slots` is set to 0 and `clk_adj_us` is set to -400 . Time is moved by $\text{clk_adj_slots} * 625 + \text{clk_adj_us} = 0 * 625 + (-400) = -400 \mu\text{s}$, which is $400 \mu\text{s}$ backwards. The initial slot in the `CLK_new` domain is at $\text{CLK}_{\text{new}}[27:1] = \text{clk_adj_instant} + \text{clk_adj_slots} = 12 + 0 = 12$. This is an even value so the first slot is a Central-to-Peripheral slot. A negative `clk_adj_us` means that the first slot in the `CLK_new` domain starts `clk_adj_us` after `clk_adj_instant`. The time between the first slot in the `CLK_new` domain and `clk_adj_instant` (in this case $400 \mu\text{s}$) is effectively a continuation of the previous slot, even if its number changes, and hence is unusable. (This is the case whenever `clk_adj_us` is negative, even when `clk_adj_slots` is non-zero.)

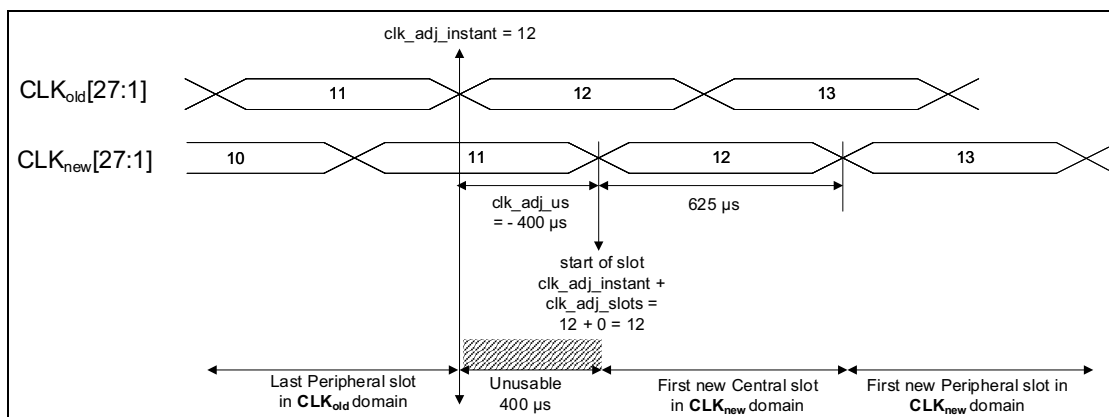


Figure 8.15: Negative coarse clock adjustment

If `clk_adj_us` is zero then the adjustment alters the slot numbering but not the actual times at which slots start. Therefore all slots remain available for use, though if `clk_adj_slots` is odd then there will be two consecutive Peripheral-to-Central slots.



8.6.10.2 Coarse Clock Adjustment Recovery mode

In Coarse Clock Adjustment Recovery Mode, the Central enters the Synchronization Train substate (see [Section 8.11.2](#)). The Central should remain in this substate and transmit synchronization train packets until all Peripherals have acknowledged the adjustment with the LMP_CLK_ADJ_ACK PDU, or link supervision timeout has expired for the last unresponsive Peripheral. The Central may cancel Coarse Clock Adjustment Recovery Mode to initiate another coarse clock adjustment or for any other reason. During Coarse Clock Adjustment Recovery Mode the Central shall continue broadcasting LMP_CLK_ADJ PDUs (see [\[Vol 2\] Part C, Section 4.1.14.1](#)).

When a Peripheral does not detect any transmissions from its Central it may enter the Synchronization Scan substate (see [Section 8.11.1](#)) and scan for synchronization train packets as defined in [Section 2.7](#). $T_{\text{Sync_Scan_Window}}$ should be set large enough to enable reception of at least one synchronization train packet. A Peripheral that could have lost its connection to the Central due to coarse clock adjustment should prioritize synchronization scan.

A Peripheral that receives a Synchronization Train packet with the BD_ADDR of its Central shall change the value of peripheral_clock_offset to make CLK correspond to the contents of the packet and then exit the Synchronization Scan substate. If the new clock is in the range $\text{CLK}_{\text{OLD}} - \text{LSTO}$ to CLK_{OLD} (where LSTO is the link supervision timeout period), then this shall be treated as a negative change. In this case, the Peripheral shall not transmit any packet and shall ignore all received directed packets until the value of CLK, after being changed, is strictly greater than the value of CLK the last time it transmitted or received (as appropriate) a packet. If the new clock is outside this range then this shall be treated as a positive change (and thus might involve a clock wrap).

8.6.10.3 Clock Dragging

Clock Dragging means that the Central periodically adjusts its time_base_offset (see [Section 2.2.4](#)) until a desired time adjustment has been accomplished.

Each single adjustment shall be performed by a directed packet from the Central to each Peripheral and a response (e.g., Baseband acknowledgment) from each Peripheral. If a Peripheral does not respond, the Central shall suspend its updating of time_base_offset (but should continue to poll that Peripheral) at least until each Peripheral has either responded or has failed to respond for at least CLK_adj_dragTO . In case several Peripherals fail to respond, the Central should ensure that each of the failing Peripherals gets at least one CLK_adj_dragTO to respond (these may be concurrent for multiple Peripherals). The Central need not allow more than one suspension of CLK_adj_dragTO for any given Peripheral during a link supervision timeout for that Peripheral.

A single adjustment shall be less than or equal to 3 μs . Within any period of 125 ms, the total adjustment in a single direction shall be less than or equal to 5 μs .



Note: These requirements apply to the changes to `time_base_offset` and are applied irrespective of the accuracy of the Central's reference clock (see [Section 1.1](#)). This means that Peripherals may observe a change in CLK greater than 20ppm.

If a Central is performing Clock Dragging when it initiates a Coarse Clock Adjustment, a new Clock Dragging, or a sequence containing an instant or timing control flags, or receives a request from a Peripheral to initiate such a sequence, it shall abort the current Clock Dragging before processing the new request or carrying out the sequence. If the Central has suspended clock dragging during `CLK_adj_dragTO`, it shall reject new requests until the timeout period expires or the timeout is cancelled because all of the Peripherals have responded.

8.6.11 Slot Availability Mask (SAM)

Slot Availability Mask (SAM) allows two Bluetooth devices to indicate to each other the availability of their time slots for transmission and reception. From the Baseband point of view, SAM provides a map - the SAM slot map - which marks the availability of Bluetooth slots. The availability arises from either external conditions (e.g., MWS coexistence) or internal conditions (e.g., topology management for scatternets). The SAM slot map marks each slot using one of four type codes defined in [\[Vol 2\] Part C, Section 5.2](#) and repeated for convenience in [Table 8.8](#).

Slot type code	Meaning
0	The slot is not available for either transmission or reception
1	The slot is available for transmission but not reception
2	The slot is available for reception but not transmission
3	The slot is available for both transmission and reception

Table 8.8: SAM slot types

Note: A Central may mark Central-to-Peripheral slots available for reception and Peripheral-to-Central slots available for transmission, because such slots may be used in this way for multi-slot packets; similarly for a Peripheral. A SAM slot map with all slots set to type 3 is equivalent to not using SAM and simply performing normal scheduling.

[Figure 8.16](#) shows an example of a SAM slot map. The Central-to-Peripheral slots are labeled with the letter 'C' and Peripheral-to-Central slots with the letter 'P'.

Bluetooth Slot	C	P	C	P	C	P	C		C	P	C	P
Can Transmit	X	X	✓	✓	✓	X	X		✓	✓	✓	X
Can Receive	✓	X	X	X	X	✓	✓		✓	✓	✓	✓
Type Code	2	0	1	1	1	2	2		3	3	3	2

Figure 8.16: An example of a SAM slot map



A SAM slot map has a finite length and is repeated indefinitely until changed by the associated LMP procedures. SAM anchor points are spaced regularly with an interval of T_{SAM} , in units of slots. Between adjacent SAM anchor points, the slot map indicates when the device is able to transmit and receive. The SAM slot map is effectively repeated every T_{SAM} until it is changed.

The SAM interval T_{SAM} is further divided into N_{SAM_SM} sub-intervals of equal length, T_{SAM_SM} , such that $T_{SAM} = T_{SAM_SM} * N_{SAM_SM}$. T_{SAM_SM} shall be an even integer so as to contain TX/RX slot pairs.

The words "SAM submap" (or simply "submap" when there is no ambiguity from the context) will be used to denote a sub-interval of T_{SAM_SM} slots. Each submap is assigned one of the four usage types defined in [Vol 2] Part C, Section 5.2 and repeated for convenience in Table 8.9.

Submap type code	Meaning
0	Each slot is individually available or unavailable as configured. Slots may have different availabilities for transmission and reception.
1	All slots are available for transmission and reception.
2	All slots are unavailable for transmission and reception.
3	Reserved for future use

Table 8.9: SAM submap types

The SAM facilities specify each SAM slot map at the submap granularity. Figure 8.17 shows an example of a SAM slot map in terms of submaps in the local device. Each box represents a sub-interval of T_{SAM_SM} slots, with the label on the box indicating the type of the submap.

At the submap level of granularity, transmit and receive are handled identically; the difference will only appear inside submaps with type 0.

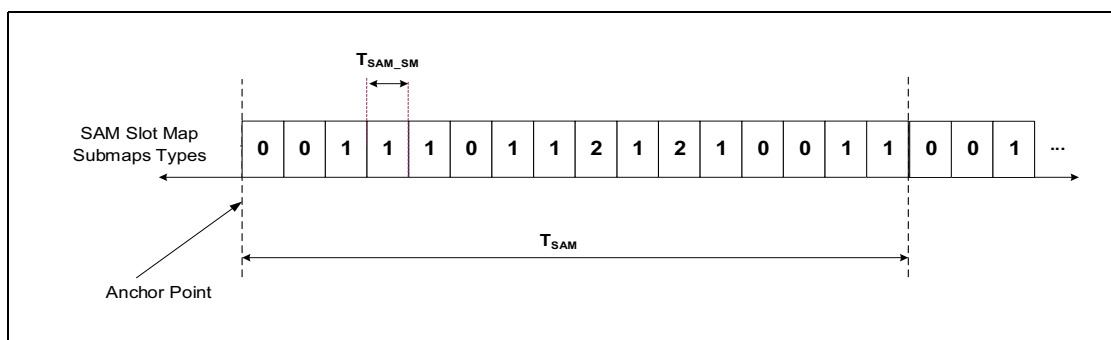


Figure 8.17: Example of a SAM slot map in terms of submaps in the local device

In addition to the SAM slot maps, the Controller also maintains a single "SAM type 0 submap" that is used to specify the availability of individual slots for those submaps shown as having type 0. The Controller then combines the SAM slot map at submap granularity with the first T_{SAM_SM} entries of the type 0



submap to generate the effective maps. Figure 8.18 shows a SAM slot map and a SAM type 0 submap together with the resulting effective map.

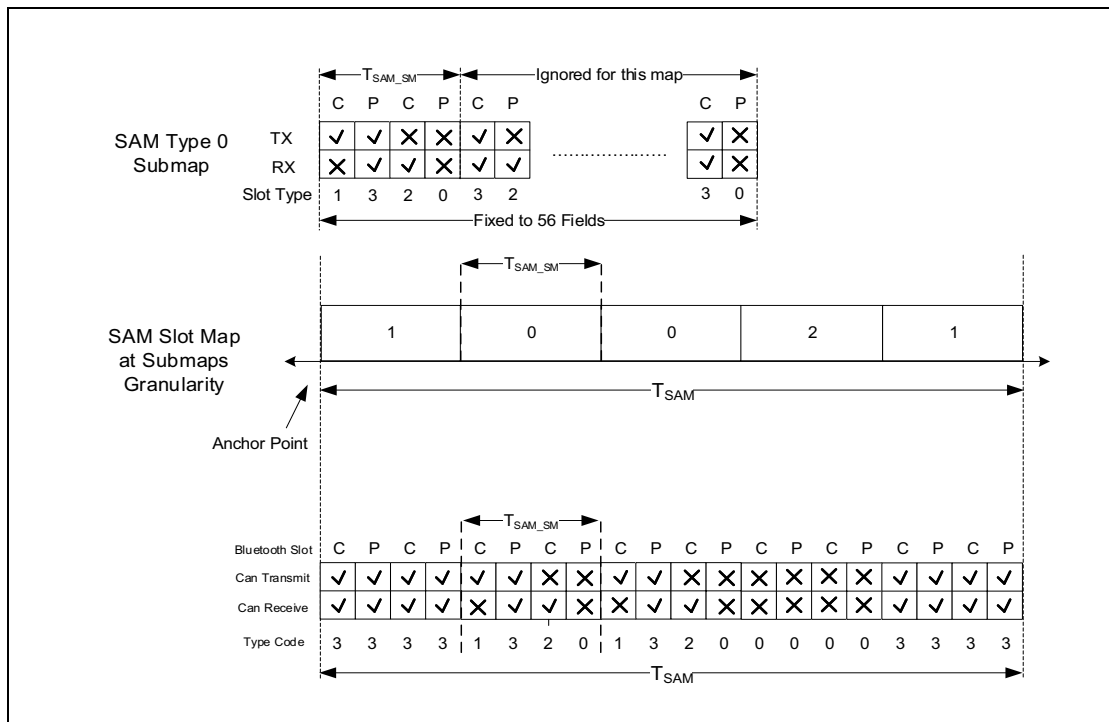


Figure 8.18: Example of a SAM slot map and SAM type 0 submap being combined

Figure 8.19 shows an example of a SAM type 0 submap for a collocated MWS.

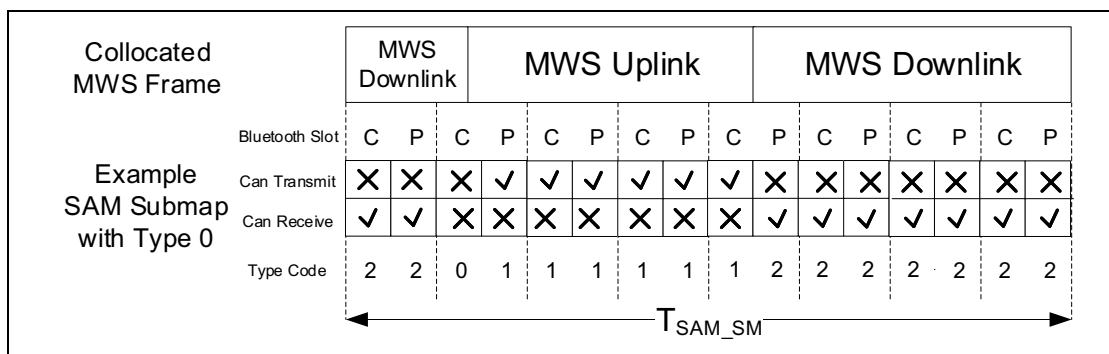


Figure 8.19: Examples of SAM type 0 submap at a Bluetooth device with a collocated MWS

The assumption in the example is that, in order to prevent mutual interference between Bluetooth and MWS radios, Bluetooth transmissions are not available during MWS downlink durations and Bluetooth reception is not available during MWS uplink durations. The MWS frame is 10 ms long and the SAM type 0 submap needs to have the same length, so T_{SAM_SM} is 16.

Figure 8.20 shows another example of a collocated Bluetooth device with a low traffic load in the MWS Uplink. In this case, the implementation chooses to mark the MWS Uplink portion available for both TX and RX, because there is a



good chance that it can receive Central packets and respond to them without interference from MWS.

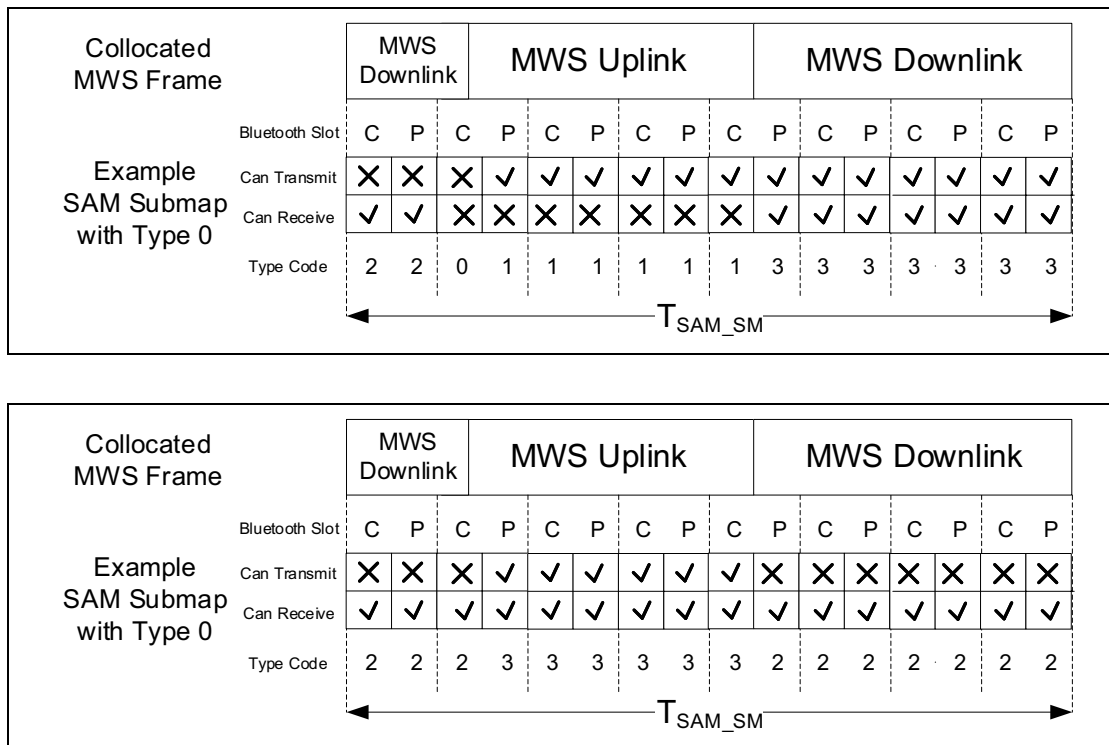


Figure 8.20: Examples of SAM type 0 submap at a Bluetooth device with a collocated MWS with low uplink traffic load

SAM allows each device to send its local slot availability to the other, in which case the availability of slots depends on the combined slot maps. The scheduling recommendations for such a SAM slot map are described in Section 8.6.11.2.

A device that supports the SAM feature shall be capable of storing three distinct SAM slot maps from each connected remote device. A remote device can only define one type 0 submap, which can be referenced by any of its defined SAM slot maps. The remote device may redefine its type 0 submap at any time.

8.6.11.1 SAM anchor point

SAM slot maps are periodic, defined by an interval T_{SAM} and an offset D_{SAM} . Figure 8.21 shows an example of SAM slot maps designed to correspond to periodic MWS active and inactivity cycles.

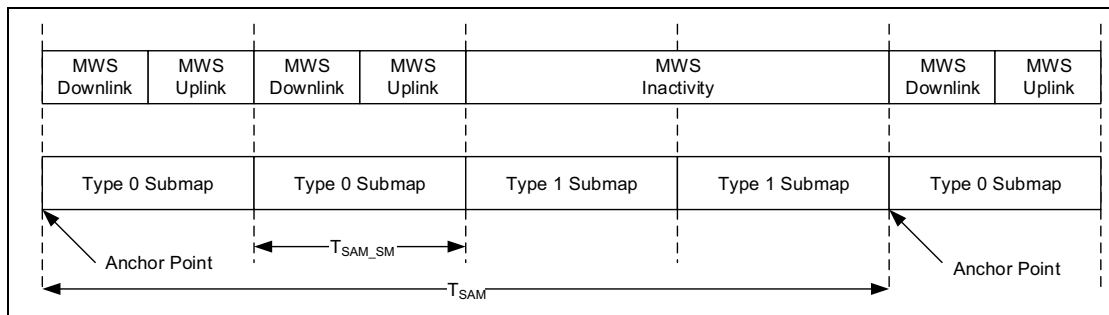


Figure 8.21: An example of SAM slot maps for a periodic MWS active and inactive cycles

SAM anchor points are the start points of the first slot in the SAM slot maps. SAM anchor points are computed from T_{SAM} and D_{SAM} using the Central's current clock, which is known to both devices. The first SAM anchor point is indicated by $SAM_Instant$. In order to prevent problems caused by the clock wrap-around, the LMP message carries an additional timing control flag, which indicates whether initialization procedure 1 or 2 shall be used. The initiating device shall use initialization 1 when the MSB of the Central's current clock (CLK_{27}) is 0; it shall use initialization 2 when the MSB of the Central's current clock (CLK_{27}) is 1. The responding device shall apply the initialization method indicated by the initialization flag. The SAM anchor points shall be initialized on the slots for which the clock satisfies the applicable equations:

$$CLK_{27-1} \bmod T_{SAM} = D_{SAM} \text{ for initialization 1}$$

$$(\overline{CLK_{27}}, CLK_{26-1}) \bmod T_{SAM} = D_{SAM} \text{ for initialization 2}$$

After initialization, the clock value $CLK(k+1)$ for the next SAM anchor point can be found by adding the fixed interval T_{SAM} to the clock value of the current anchor point:

$$CLK_{27-1}(k+1) = CLK_{27-1}(k) + T_{SAM}$$

The SAM anchor point shall be a Central-to-Peripheral slot. As a corollary, the first slot of every SAM submap is also a Central-to-Peripheral slot.

8.6.11.2 SAM scheduling

SAM enables each device to send its local slot availability to the other. The scheduler in the Bluetooth Controller should consider the SAM slot maps from both local and remote devices for packet scheduling. The only effect of using the SAM information is to restrict a device's transmission and reception opportunities.

For all ACL packets and for eSCO packets in the retransmission window:

1. The Central should only transmit a packet if the required Central-to-Peripheral slots are marked as available for transmission in the Central's SAM slot map and available for reception in the Peripheral's SAM slot map.



2. The Peripheral should only transmit a packet if the required slots are marked as available for reception in the Central's SAM slot map and available for transmission in the Peripheral's SAM slot map.
3. The Peripheral may choose not to listen to the Central in Central-to-Peripheral slots that are marked either unavailable for transmission in the Central's SAM slot map or unavailable for reception in the Peripheral's SAM slot map.

For all ACL packets, the Central should only transmit a packet if the slot immediately following the Central's packet is marked as available for transmission in the Peripheral's SAM slot map and available for reception in the Central's SAM slot map.

For eSCO packets in the retransmission window, the Central should only transmit a packet if either:

1. the slot immediately following the Central's packet is marked as available for transmission in the Peripheral's SAM slot map and available for reception in the Central's SAM slot map;
2. this is the last opportunity for the Central to transmit this packet in this retransmission window; or
3. for all subsequent Central-to-Peripheral slots in the same retransmission window that provide sufficient remaining slots for the Central to transmit the same packet, the rules in this section state that the Central should not transmit the packet.

In SCO and eSCO reserved slots, either the Central or the Peripheral may choose not to transmit a SCO or eSCO packet unless the required slots are marked both as available for transmission in the local SAM slot map and available for reception in the remote SAM slot map.

[Figure 8.22](#) below illustrates possible scheduling results with combined SAM slot maps from Central and Peripheral.

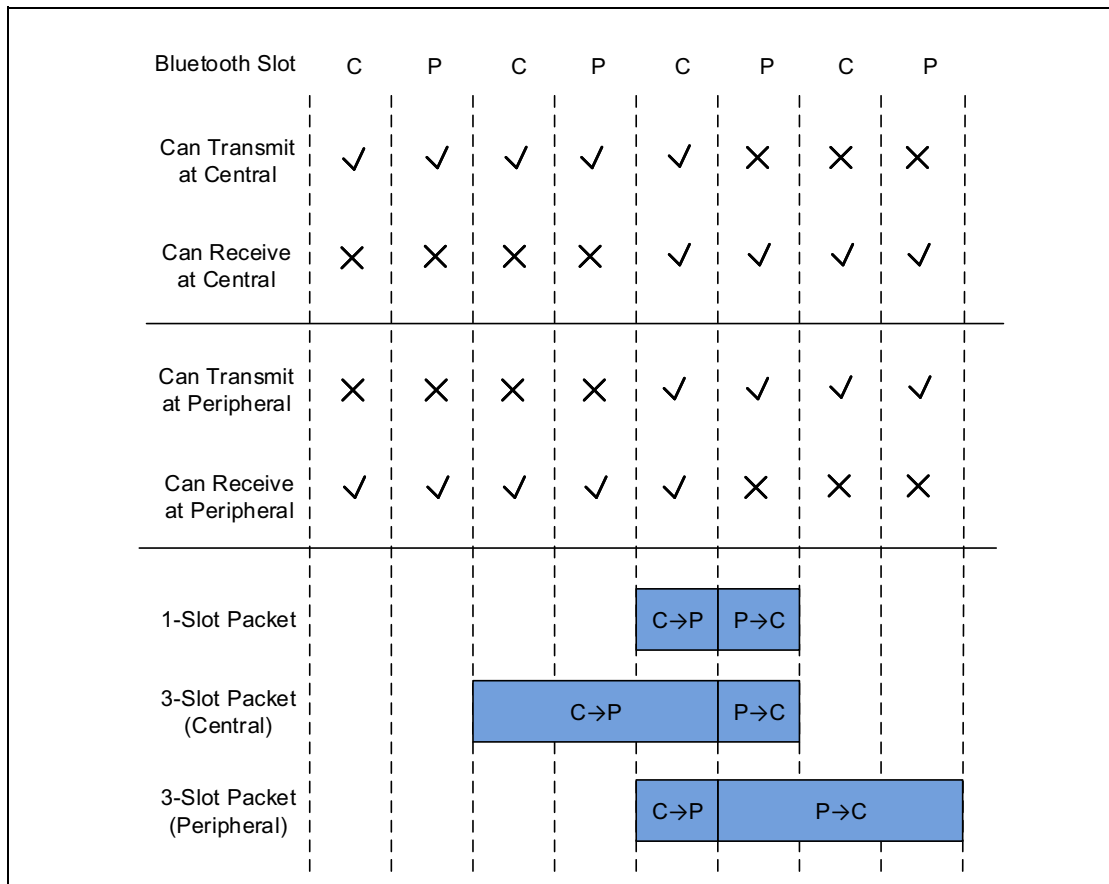


Figure 8.22: Example of possible scheduling results with combined SAM slot maps from Central and Peripheral

8.7 SNIFF MODE

In Sniff mode, the duty cycle of the Peripheral’s activity in the piconet may be reduced. If a Peripheral is in Active mode on an ACL logical transport, it shall listen in every ACL slot to the Central’s traffic, unless that link is being treated as a scatternet link or is absent due to Hold mode. With Sniff mode, the time slots when a Peripheral is listening are reduced, so the Central shall only transmit to a Peripheral in specified time slots. The sniff anchor points are spaced regularly with an interval of T_{sniff} .

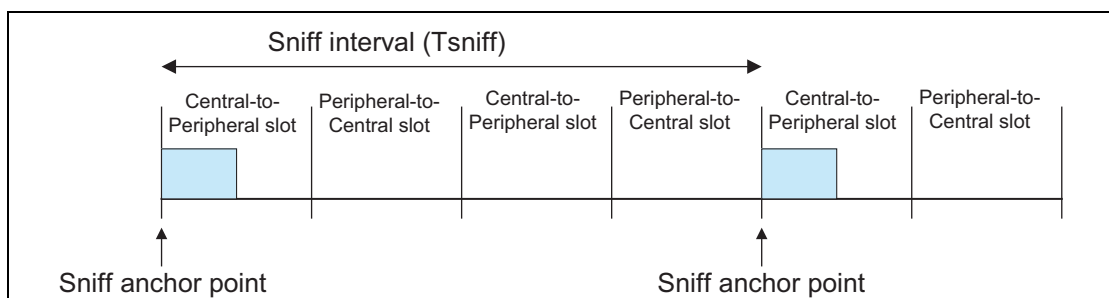


Figure 8.23: Sniff anchor points



The Peripheral listens in Central-to-Peripheral transmission slots starting at the sniff anchor point. It shall use the following rules to determine whether to continue listening:

- If fewer than $N_{\text{sniff attempt}}$ Central-to-Peripheral transmission slots have elapsed since the sniff anchor point then the Peripheral shall continue listening.
- If the Peripheral has received a packet with a matching LT_ADDR that contains ACL data (DM, DH, or DV packets) in the preceding $N_{\text{sniff timeout}}$ Central-to-Peripheral transmission slots then it shall continue listening.
- If the Peripheral has transmitted a packet containing ACL data (DM, DH, or DV packets) in the preceding $N_{\text{sniff timeout}}$ Peripheral-to-Central transmission slots then it shall continue listening.
- If the Peripheral has received any packet with a matching LT_ADDR in the preceding $N_{\text{sniff timeout}}$ Central-to-Peripheral transmission slots then it may continue listening.
- A device may override the rules above and stop listening prior to $N_{\text{sniff timeout}}$ or the remaining $N_{\text{sniff attempt}}$ slots if it has activity in another piconet.

It is possible that activity from one sniff timeout may extend to the next sniff anchor point. Any activity from a previous sniff timeout shall not affect activity after the next sniff anchor point. So in the above rules, only the slots since the last sniff anchor point are considered.

Note: $N_{\text{sniff attempt}} = 1$ and $N_{\text{sniff timeout}} = 0$ cause the Peripheral to listen only at the slot beginning at the sniff anchor point, irrespective of packets received from the Central.

$N_{\text{sniff attempt}} = 0$ shall not be used.

Sniff mode only applies to asynchronous logical transports and their associated LT_ADDR. Sniff mode shall not apply to synchronous logical transports, therefore, both Centrals and Peripherals shall still respect the reserved slots and retransmission windows of synchronous links.

To enter Sniff mode, the Central or Peripheral shall issue a sniff setup message via the LM protocol. This message includes the sniff interval T_{sniff} and an offset D_{sniff} . In addition, an initialization flag indicates whether initialization procedure 1 or 2 shall be used. The device sending the sniff request shall use initialization 1 when the MSB of the Central's current clock (CLK_{27}) is 0; it shall use initialization 2 when the MSB of the Central's current clock (CLK_{27}) is 1. The device that receives the sniff request shall apply the initialization method as indicated by the initialization flag irrespective of its own CLK_{27} value. The sniff



anchor point determined by the Central and the Peripheral shall be initialized on the slots for which the clock satisfies the applicable equation:

$$\text{CLK}_{27-1} \bmod T_{\text{sniff}} = D_{\text{sniff}} \quad \text{for initialization 1}$$

$$(\overline{\text{CLK}_{27}}, \text{CLK}_{26-1}) \bmod T_{\text{sniff}} = D_{\text{sniff}} \quad \text{for initialization 2}$$

this implies that D_{sniff} must be even

After initialization, the clock value $\text{CLK}(k+1)$ for the next sniff anchor point shall be derived by adding the fixed interval T_{sniff} to the clock value of the current sniff anchor point:

$$\text{CLK}_{27-1}(k+1) = \text{CLK}_{27-1}(k) + T_{\text{sniff}}$$

8.7.1 Sniff Transition mode

Sniff Transition mode is a special mode which is used during the transition between Sniff mode and Active mode. It is required because during this transition it is unclear which mode (Sniff or Active) the Peripheral is in and it is necessary to ensure that the Peripheral is polled correctly regardless of which mode it is in.

In Sniff Transition mode the Central shall maintain the Active mode poll interval in case the Peripheral is in Active mode. In addition the Central shall poll the Peripheral at least once in the sniff attempt transmit slots starting at each sniff anchor point. This transmission counts for the Active mode polling as well. The Central shall use its high power accurate clock when in Sniff Transition mode.

The precise circumstances under which the Central enters Sniff Transition mode are defined in [\[Vol 2\] Part C, Section 4.5.3.1](#).

8.7.2 Sniff subrating

When sniff subrating is enabled by the Link Manager a device alternates between Sniff mode and Sniff Subrating mode. Sniff Subrating mode allows a device to use a reduced number of sniff anchor points. A device shall transition from Sniff mode to Sniff Subrating mode based on the Sniff mode timeout value (see [Section 8.7.2.1](#)). A device shall transition from Sniff Subrating mode to Sniff mode whenever ACL-U, APB-U, ACL-C, or APB-C data is received from the remote device.

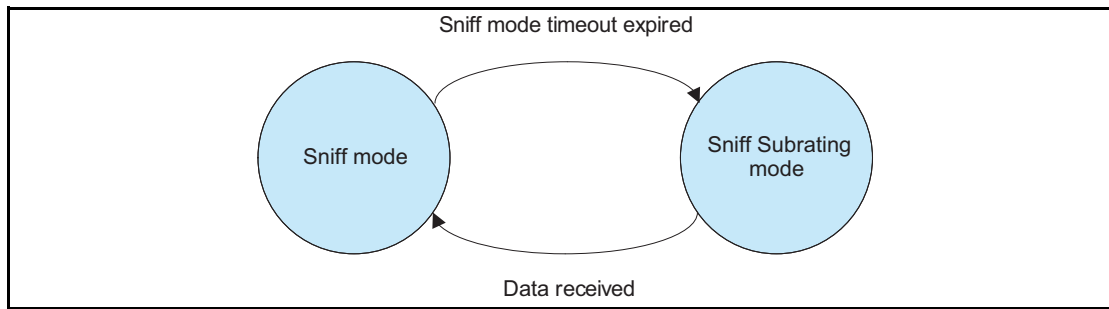


Figure 8.24: Sniff subrating

A Peripheral in Sniff Subrating mode shall also temporarily enter Sniff mode after transmitting a packet requiring acknowledgment until the Baseband acknowledgment is received.

Once sniff subrating is enabled the Central and Peripheral may be in Sniff mode or Sniff Subrating mode at different times. The rules defined in Section 8.7.2.2 describe how the two devices maintain synchronization and can reliably exchange data.

8.7.2.1 Sniff mode timeout

The Sniff mode timeout value $T_{\text{sniff_mode_timeout}}$ used by a device shall be at least the greater of the value specified by the peer over LMP and any value specified by the Host.

Whenever a packet containing ACL-U, APB-U, ACL-C, or APB-C data is received by a device in Sniff Subrating mode it shall transition to Sniff mode, re-start the Sniff mode timeout timer, and shall then use all sniff anchor points until at least $T_{\text{sniff_mode_timeout}}$ slots have expired. If ACL-U, APB-U, ACL-C, or APB-C data is received before $T_{\text{sniff_mode_timeout}}$ slots have passed since the last ACL-U, APB-U, ACL-C, or APB-C data was received, the Sniff mode timeout timer shall be restarted. NULL and POLL packets do not contain ACL or APB data and shall not restart the Sniff mode timeout timer.

8.7.2.2 Sniff Subrating mode

When the Sniff mode timeout has expired a device shall enter sniff subrating mode. In Sniff Subrating mode the mandatory sniff subrating anchor points at which the Central shall transmit to the Peripheral and the Peripheral shall listen for the Central, are defined as follows (where M is the max subrate received by the Central, N is the max subrate received by the Peripheral, A is the sniff subrating instant, and k is any positive integer):

Note: $\lfloor X \rfloor$ denotes the mathematical “floor” function, equivalent to rounding down to the nearest integer. Hence, $\lfloor X / Y \rfloor$ yields the highest integer j for which $Y \cdot j \leq X$.

When sniff subrating is enabled, the rules specified in Section 8.7 for $N_{\text{sniff attempt}}$ and $N_{\text{sniff Timeout}}$ shall apply to sniff subrating anchor points.



	Central	Peripheral
M=N	$CLK_{M(k)} = A + [T_{sniff} \cdot M \cdot k]$	$CLK_{N(k)} = A + [T_{sniff} \cdot N \cdot k]$
M>N	At least once every j anchor points satisfying $CLK_{N(k)} = A + [T_{sniff} \cdot N \cdot k]$, where $j = \lfloor M / N \rfloor$	$CLK_{N(k)} = A + [T_{sniff} \cdot N \cdot k]$
M<N	$CLK_{M(k)} = A + [T_{sniff} \cdot M \cdot k]$	At least once every j anchor points satisfying $CLK_{M(k)} = A + [T_{sniff} \cdot M \cdot k]$, where $j = \lfloor N / M \rfloor$

Table 8.10: Sniff subrating anchor points

8.8 HOLD MODE

During the Connection state, the ACL logical transport to a Peripheral can be put in a Hold mode. In Hold mode the Peripheral temporarily shall not support ACL packets on the channel. Any synchronous packet during reserved synchronous slots (from SCO and eSCO links) shall be supported. With the Hold mode, capacity can be made free to do other things like scanning, paging, inquiring, or attending another piconet. The device in Hold mode can also enter a low-power sleep mode. During Hold mode, the Peripheral keeps its logical transport address(es) (LT_ADDR).

Prior to entering Hold mode, Central and Peripheral agree on the time duration the Peripheral remains in Hold mode. A timer shall be initialized with the *holdTO* value. When the timer is expired, the Peripheral shall wake up, synchronize to the traffic on the channel and will wait for further Central transmissions.

8.9 [THIS SECTION IS NO LONGER USED]

8.10 CONNECTIONLESS PERIPHERAL BROADCAST MODE

In Connectionless Peripheral Broadcast mode, the Transmitter broadcasts packets to zero or more Receivers.

The Transmitter can broadcast messages to multiple Receivers in Connectionless Peripheral Broadcast mode. For this purpose, the Transmitter (Central) shall reserve an LT_ADDR for use only by Connectionless Peripheral Broadcast traffic. In Connectionless Peripheral Broadcast mode, the Transmitter transmits packets at specified intervals.



8.10.1 Connectionless Peripheral Broadcast transmit operation

In Connectionless Peripheral Broadcast mode, the Transmitter transmits packets on the CPB logical transport at intervals requested by the Host in Central-to-Peripheral transmission slots.

If the Host has not yet provided the BR/EDR Controller with any data packets to transmit since enabling the broadcast, or if the length of the data is zero, the BR/EDR Controller shall transmit NULL packets. This is different than the case where the Host has provided data since enabling the broadcast but has not provided new data since the previous broadcast packet. In that case, the BR/EDR Controller resends the most recent data.

The Host may provide Connectionless Peripheral Broadcast data through HCI commands. Because HCI commands are limited to 255 bytes, a single command cannot carry the maximum payloads allowed by larger packets, such as DH5. Therefore, HCI commands for Connectionless Peripheral Broadcast allow fragmentation of large payloads at the HCI level. The BR/EDR Controller shall assemble all HCI fragments of a packet before transmission and shall not transmit incomplete packets. Until such assembly is complete, the Controller shall continue to transmit the previous data (if any).

Figure 8.25 shows the timing of Connectionless Peripheral Broadcast packets.

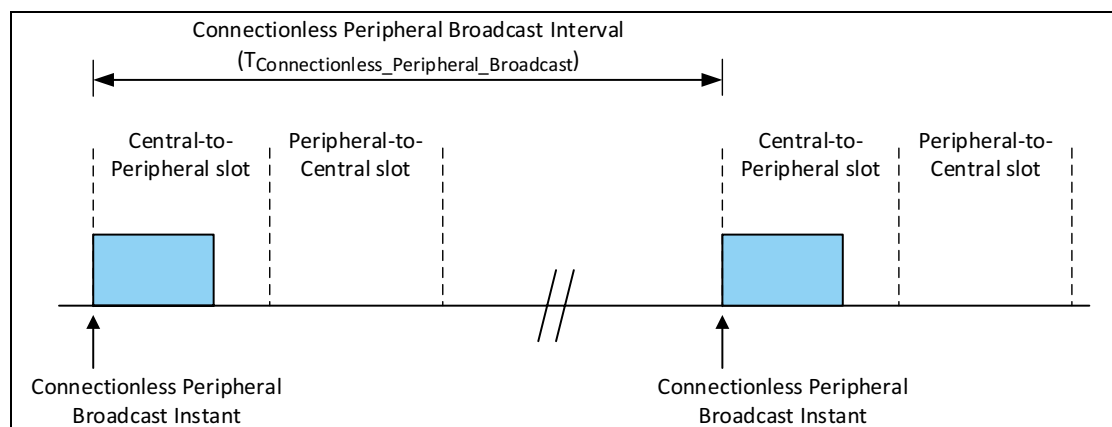


Figure 8.25: Connectionless Peripheral Broadcast timing

Connectionless Peripheral Broadcast Instants are separated by the Connectionless Peripheral Broadcast Interval ($T_{\text{Connectionless_Peripheral_Broadcast}}$). The Connectionless Peripheral Broadcast interval can be any even value from 0x0002 to 0xFFFFE slots and is negotiated between the BR/EDR Controller and the Host during CPB setup. At the start of each Connectionless Peripheral Broadcast Instant, the Connectionless Peripheral Broadcast packet is transmitted using the adapted piconet physical channel. Connectionless Peripheral Broadcast packets shall not be encrypted.

The Transmitter shall stop transmitting Connectionless Peripheral Broadcast packets after $CPB_supervisionTO$ slots have passed without transmission of a Connectionless Peripheral Broadcast packet. $CPB_supervisionTO$ may be any



even value from 0x0002 to 0xFFFFE slots. Connectionless Peripheral Broadcast packets can fail to transmit for a certain continuous period of time due to scheduling conflicts from higher priority traffic.

8.10.2 Connectionless Peripheral Broadcast receive operation

In Connectionless Peripheral Broadcast mode, the Receiver is synchronized to a Connectionless Peripheral Broadcast Transmitter and is receiving profile broadcast data on the LT_ADDR reserved by the Transmitter for the CPB logical transport.

When requesting synchronization establishment, the Host provides the Controller with the Transmitter's clock offset and the next Connectionless Peripheral Broadcast Instant received from the synchronization train. Because of delays in the Host, it is possible that the Connectionless Peripheral Broadcast Instant occurs in the past. The BR/EDR Controller shall support Connectionless Peripheral Broadcast instants at least 1 second in the past. The Receiver should determine whether the Connectionless Peripheral Broadcast Instant is in the past or the future by using the Transmitter's clock offset and its own clock to estimate the Transmitter's current clock and start listening from the next broadcast instant.

The Skip parameter is set by the Host and specifies the number of consecutive Connectionless Peripheral Broadcast instants which the receiver may skip after successfully receiving a Connectionless Peripheral Broadcast packet. If the Connectionless Peripheral Broadcast packet is received successfully, the payload data shall be forwarded to the Host. If no Connectionless Peripheral Broadcast packet is received by a Receiver during a Connectionless Peripheral Broadcast Instant, the Receiver shall ignore Skip and instead listen at every scheduled Connectionless Peripheral Broadcast Instant until it is able to successfully receive a Connectionless Peripheral Broadcast packet or until *CPB_supervisionTO* number of slots have passed.

The BR/EDR Controller shall stop listening for Connectionless Peripheral Broadcast packets after *CPB_supervisionTO* slots have passed without receiving a Connectionless Peripheral Broadcast packet.

The BR/EDR Controller may transfer Connectionless Peripheral Broadcast data to the Host through HCI events. Because HCI events are limited to 255 bytes a received packet will not necessarily fit into a single HCI event. The BR/EDR Controller shall fragment and transfer such packets using multiple HCI events.

8.10.3 AFH in Connectionless Peripheral Broadcast

Connectionless Peripheral Broadcast packets shall be transmitted on the adapted piconet channel and the synchronization train shall always contain the current AFH channel map for the PBD logical link.



8.11 SYNCHRONIZATION ESTABLISHMENT SUBSTATES

8.11.1 Synchronization Scan substate

The Synchronization Scan substate is used by Peripherals to receive synchronization train packets from the piconet Central. The Synchronization Scan substate can be entered from the Standby or Connection states. In the Synchronization Scan substate, a device uses the Synchronization Scan procedure (see [Section 2.7.3](#)). During each synchronization scan window, the device shall listen on a single frequency with its correlator matched to the Central's channel access code (CAC).

If the correlator exceeds the trigger threshold during the Synchronization Scan procedure, the scanning device shall receive the synchronization train packet, whose contents are defined in [Table 8.11](#). Upon reception of the synchronization train packet the device shall exit the Synchronization Scan substate and return to the Standby or Connection state as appropriate. If the packet is not received the device should stay in the Synchronization Scan substate. If the *synchronization_scanTO* expires before reception of a Synchronization Train packet, the device shall return to the Standby state. A device attempting to synchronize to a Connectionless Peripheral Broadcast transport shall ignore any synchronization train packet whose Connectionless Peripheral Broadcast LT_ADDR field in the payload is set to zero.

The synchronization scan may be interrupted by higher priority traffic. In particular, the reserved synchronous slots should have higher priority than the synchronization scan.

8.11.2 Synchronization Train substate

The Synchronization Train substate is used by the Central of the piconet to transmit synchronization train packets. The Synchronization Train substate can be entered from the Standby or Connection states. In the Synchronization Train substate, a device uses the Synchronization Train procedure (see [Section 2.7.2](#)). During the Synchronization Train procedure, the Central repeatedly transmits synchronization train packets on the channels specified in [Section 2.6.4.8](#). While in the Synchronization Train substate:

- if Connectionless Peripheral Broadcast mode is enabled, the Central shall continue to transmit Connectionless Peripheral Broadcast packets in addition to synchronization train packets;
- if the Central is in Coarse Clock Adjustment Recovery Mode, it shall continue transmitting and receiving on all active logical transports to all Peripherals that have acknowledged the Coarse Clock Adjustment (see [\[Vol 2\] Part C, Section 4.1.14.1](#)).

Reserved SCO and eSCO slots should have higher priority than the synchronization train. Once the Central enters the Synchronization Train substate, it shall remain in the Synchronization Train substate until



synchronization_trainTO expires or the Host directs otherwise. The Central shall transition to the Standby or Connection state when exiting the Synchronization Train substate.

The synchronization train packet is a basic rate ACL packet with type DM3 and LT_ADDR of zero. FLOW, ARQN and SEQN shall all be set to zero upon transmission and ignored upon receipt. The HEC LFSR shall be initialized with the Central's UAP. In the payload header, the LLID shall contain the value 0b10 (start of an L2CAP message or no fragmentation). FLOW in the payload header shall be set to zero upon transmission and ignored upon reception. The length of the payload body (LENGTH) shall be 28 bytes. The CRC LFSR shall be initialized with the Central's UAP. Data whitening is not used. Encryption is not used.

There are two possible formats. Format 1 shall be used when the synchronization train is being transmitted by a device which is the Central of a piconet where Connectionless Peripheral Broadcast mode is enabled, and format 2 shall be used otherwise. The format of the payload portion of the DM3 packet used in the synchronization train is shown in [Table 8.11](#).

Bytes	Field	Length	Format 1 Description	Format 2 Description
0-3	CLK	4 Bytes	Current piconet clock (CLK)	Current piconet clock (CLK)
4-7	Future Connectionless Peripheral Broadcast Instant	4 Bytes	CLK[27:1] corresponding to the start of a future Connectionless Peripheral Broadcast Instant.	CLK[27:1] + 1600 slots
8-17	AFH Channel Map	10 Bytes	The current AFH_Channel_Map used for the PBD logical link. The format is the same as the Link Manager AFH_Channel_Map parameter, see [Vol 2] Part C, Table 5.2 .	Unspecified
18-23	Central BD_ADDR	6 Bytes	Central's BD_ADDR	Central's BD_ADDR
24-25	Connectionless Peripheral Broadcast Interval	2 Bytes	Time duration in slots from the start of a Connectionless Peripheral Broadcast packet to the start of the next Connectionless Peripheral Broadcast packet. Shall be even.	Unspecified

Table 8.11: Synchronization train packet payload body



Bytes	Field	Length	Format 1 Description	Format 2 Description
26	Connectionless Peripheral Broadcast LT_ADDR	1 Byte	The LT_ADDR reserved for the CPB logical transport.	0x00
27	Service Data	1 Byte	Defined by the service using the Connectionless Peripheral Broadcast feature.	0x00

Table 8.11: Synchronization train packet payload body (Continued)

The Host provides the Service Data for the synchronization train packet payload body when format 1 is used. The BR/EDR Controller provides the data for all other fields.

All devices in the Synchronization Scan substate shall accept payloads of any length from 28 to 121 bytes and shall ignore bytes 28 (counting from 0) and beyond.

When format 1 is used the Future Connectionless Peripheral Broadcast Instant in the synchronization train packet payload shall correspond to one of the next 4 broadcast instants. Figure 8.26 shows an example of valid and invalid values for this field.

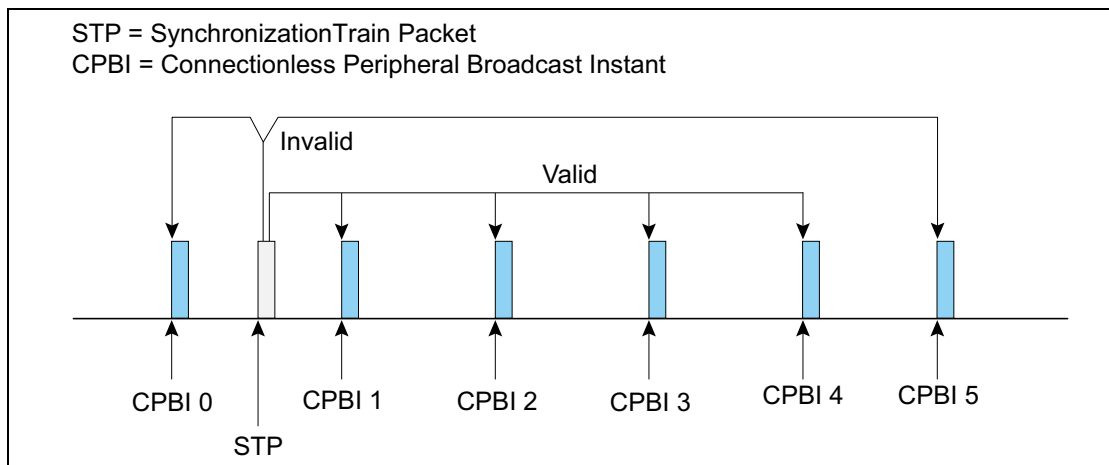


Figure 8.26: Examples of synchronization train pointing to Connectionless Peripheral Broadcast Instant

The Central shall not transmit synchronization train packets in a Connectionless Peripheral Broadcast Instant.

9 AUDIO

On the air-interface, either a 64 kb/s log PCM (Pulse Code Modulation) format (A-law or μ -law) may be used, or a 64 kb/s CVSD (Continuous Variable Slope Delta Modulation) may be used. The latter format applies an adaptive delta modulation algorithm with syllabic companding.

The voice coding on the line interface is designed to have a quality equal to or better than the quality of 64 kb/s log PCM.

[Table 9.1](#) summarizes the voice coding schemes supported on the air interface. The appropriate voice coding scheme is selected after negotiations between the Link Managers.

Voice Codecs	
linear	CVSD
8-bit logarithmic	A-law
	μ -law

Table 9.1: Voice coding schemes supported on the air interface

9.1 LOG PCM CODEC

Since the synchronous logical transports on the air-interface can support a 64 kb/s information stream, a 64 kb/s log PCM traffic can be used for transmission. Either A-law or μ -law compression may be applied. In the event that the line interface uses A-law and the air interface uses μ -law or vice versa, a conversion from A-law to μ -law shall be performed. The compression method shall follow ITU-T recommendations G. 711.

9.2 CVSD CODEC

A more robust format for voice over the air interface is delta modulation. This modulation scheme follows the waveform where the output bits indicate whether the prediction value is smaller or larger than the input waveform. To reduce slope overload effects, syllabic companding is applied: the step size is adapted according to the average signal slope. The input to the CVSD encoder shall be 64000 samples per second linear PCM (typically 16 bits, but actual value is implementation specific). Block diagrams of the CVSD encoder and CVSD decoder are shown in [Figure 9.1](#), [Figure 9.2](#) and [Figure 9.3](#). The system shall be clocked at 64 kHz.

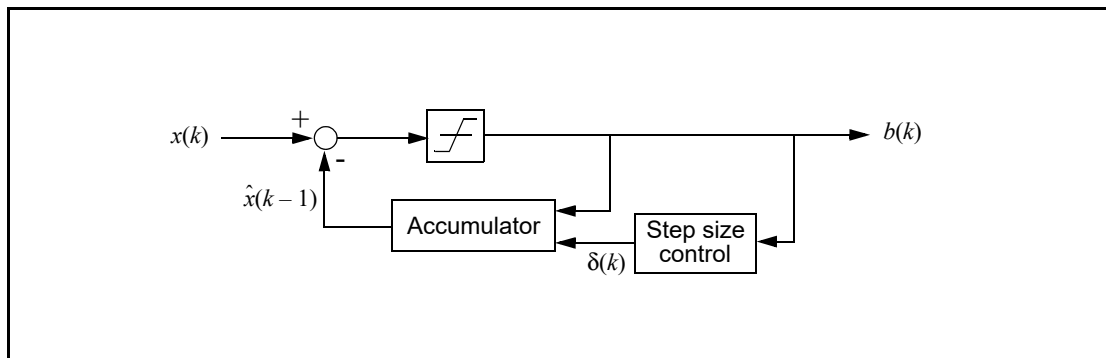


Figure 9.1: Block diagram of CVSD encoder with syllabic companding

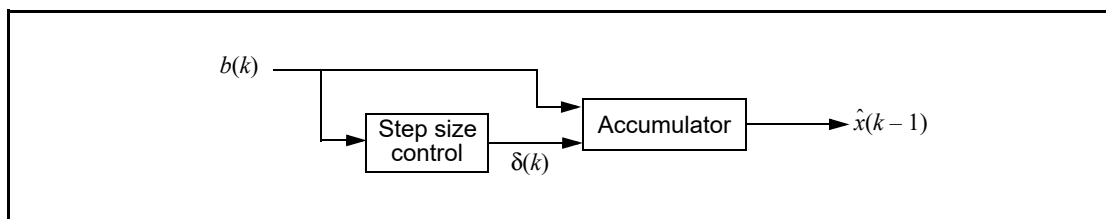


Figure 9.2: Block diagram of CVSD decoder with syllabic companding

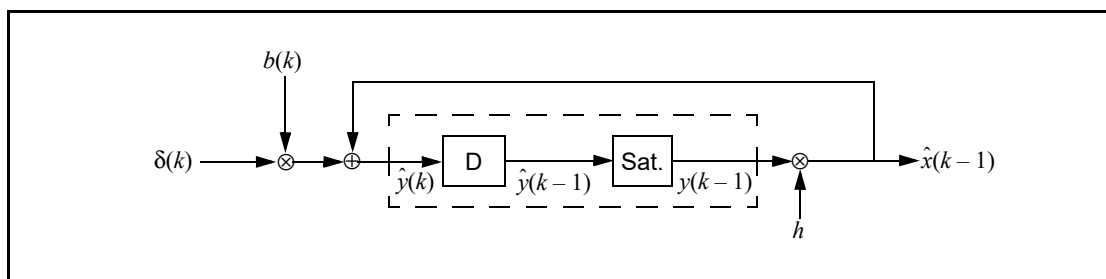


Figure 9.3: Accumulator procedure

Let $\text{sgn}(x) = 1$ for $x \geq 0$, otherwise $\text{sgn}(x) = -1$. On air these numbers shall be represented by the sign bit; i.e. negative numbers are mapped to “1” and positive and zero numbers are mapped to “0”.

Denote the CVSD encoder output bit $b(k)$, the encoder input $x(k)$, the accumulator contents $y(k)$, and the step size $\delta(k)$. Furthermore, let h be the decay factor for the accumulator, let β denote the decay factor for the step size, and, let α be the syllabic companding parameter. The latter parameter monitors the slope by considering the K most recent output bits.

Let

$$\hat{x}(k) = hy(k). \tag{EQ 14}$$



Then, the CVSD encoder internal state shall be updated according to the following set of equations:

$$b(k) = \text{sgn}\{x(k) - \hat{x}(k-1)\}, \tag{EQ 15}$$

$$\alpha = \begin{cases} 1, & \text{if } J \text{ bits in the last } K \text{ output bits are equal,} \\ 0, & \text{otherwise,} \end{cases} \tag{EQ 16}$$

$$\delta(k) = \begin{cases} \min\{\delta(k-1) + \delta_{min}, \delta_{max}\}, & \alpha = 1, \\ \max\{\beta\delta(k-1), \delta_{min}\}, & \alpha = 0, \end{cases} \tag{EQ 17}$$

$$y(k) = \begin{cases} \min\{\hat{y}(k), y_{max}\}, & \hat{y}(k) \geq 0. \\ \max\{\hat{y}(k), y_{min}\}, & \hat{y}(k) < 0. \end{cases} \tag{EQ 18}$$

where

$$\hat{y}(k) = \hat{x}(k-1) + b(k)\delta(k). \tag{EQ 19}$$

In these equations, δ_{min} and δ_{max} are the minimum and maximum step sizes, and, y_{min} and y_{max} are the accumulator's negative and positive saturation values, respectively. Over air, the bits shall be sent in the same order they are generated by the CVSD encoder.

For a 64 kb/s CVSD, the parameters as shown in [Table 9.2](#) shall be used. The numbers are based on a 16 bit signed number output from the accumulator. These values result in a time constant of 0.5 ms for the accumulator decay, and a time constant of 16 ms for the step size decay

Parameter	Value
h	$1 - \frac{1}{32}$
β	$1 - \frac{1}{1024}$
J	4
K	4
δ_{min}	10
δ_{max}	1280
y_{min}	-2^{15} or $-2^{15} + 1$
y_{max}	$2^{15} - 1$

Table 9.2: CVSD parameter values. The values are based on a 16-bit signed number output from the accumulator.



9.3 ERROR HANDLING

In the DV, HV3, EV3, EV5, 2-EV3, 3-EV3, 2-EV5 and 3-EV5 packets, the voice is not protected by FEC. The quality of the voice in an error-prone environment then depends on the robustness of the voice coding scheme and, in the case of eSCO, the retransmission scheme. CVSD, in particular, is rather insensitive to random bit errors, which are experienced as white background noise. However, when a packet is rejected because either the channel access code, the HEC test was unsuccessful, or the CRC has failed, measures have to be taken to “fill” in the lost speech segment.

The voice payload in the **HV2** and **EV4** packets are protected by a 2/3 rate FEC. For errors that are detected but cannot be corrected, the receiver should try to minimize the audible effects. For instance, from the 15-bit FEC segment with uncorrected errors, the 10-bit information part as found before the FEC decoder should be used. The **HV1** packet is protected by a 3 bit repetition FEC. For this code, the decoding scheme will always assume zero or one-bit errors. Thus, there exist no detectable but uncorrectable error events for **HV1** packets.

9.4 GENERAL AUDIO REQUIREMENTS

9.4.1 Signal levels

For A-law and μ -law log-PCM encoded signals the requirements on signal levels shall follow the ITU-T recommendation G.711.

Full swing at the 16 bit linear PCM interface to the CVSD encoder is defined to be 3 dBm0.

9.4.2 CVSD audio quality

For Bluetooth audio quality the requirements are put on the transmitter side. The 64000 samples per second linear PCM input signal should have negligible spectral power density above 4 kHz. The power spectral density in the 4 kHz to 32 kHz band of the decoded signal at the 64000 samples per second linear PCM output, should be more than 20 dB below the maximum in the 0 kHz to 4 kHz range.



APPENDIX A GENERAL AUDIO RECOMMENDATIONS

A.1 MAXIMUM SOUND PRESSURE

It is the sole responsibility of each manufacturer to design their audio products in a safe way with regards to injury to the human ear. The Bluetooth Specification doesn't specify maximum sound pressure from an audio device.

A.2 OTHER TELEPHONY NETWORK REQUIREMENTS

It is the sole responsibility of each manufacturer to design the Bluetooth audio product so that it meets the regulatory requirements of all telephony networks that it may be connected to.

A.3 AUDIO LEVELS FOR BLUETOOTH

Audio levels shall be calculated as Send Loudness Rating, SLR, and Receive Loudness Rating, RLR. The calculation methods are specified in ITU-T Recommendation P.79.

The physical test set-up for Handsets and Headsets is described in ITU-T Recommendation P.51 and P.57

The physical test set-up for speakerphones and "Vehicle hands-free systems" is specified in ITU-T Recommendation P.34.

A general equation for computation of loudness rating (LR) for telephone sets is given by ITU-T recommendations P.79 and is given by

$$LR = -\frac{10}{m} \log_{10} \left(\sum_{i=N_1}^{N_2} 10^{m(s_i - w_i)/10} \right), \quad (\text{EQ 20})$$

where

m is a constant (~ 0.2).

w_i = weighting coefficient (different for the various LRs).

S_i = the sensitivity at frequency F_i , of the electro-acoustic path

N_1, N_2 , consecutive filter bank numbers (Art. Index: 200 Hz to 4000 Hz)

(EQ 20) is used for calculating the (SLR) according to Figure A.1, and (RLR) according to Figure A.2. When calculating LRs one must only include those parts of the frequency band where an actual signal transmission can occur in order to ensure that the additive property of LRs is retained. Therefore ITU-T P.79 uses only the frequency band 200 Hz to 4000 Hz in LR computations.

A.4 MICROPHONE PATH

SLR measurement model

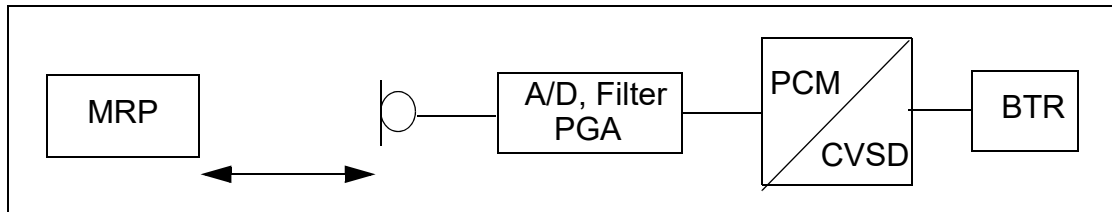


Figure A.1: SLR measurement set-up

A.5 LOUDSPEAKER PATH

RLR measurement model

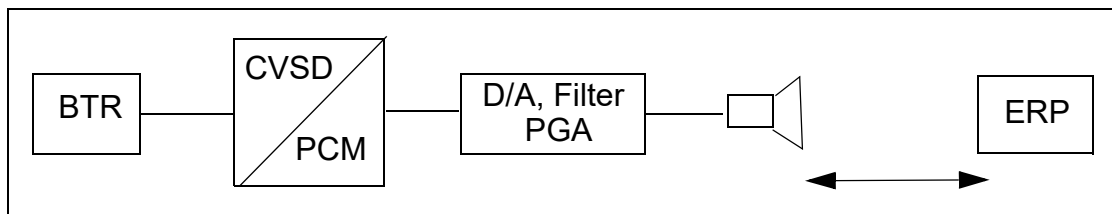


Figure A.2: RLR measurement set-up

A.6 BLUETOOTH VOICE INTERFACE

The specification for the Bluetooth voice interface should follow in the first place the *ITU-T Recommendations P.79*, which specifies the loudness ratings for telephone sets. These recommendations give general guidelines and specific algorithms used for calculating the loudness ratings of the audio signal with respect to Ear Reference Point (ERP).

For Bluetooth voice interface to the different cellular system terminals, loudness and frequency recommendations based on the cellular standards should be used. For example, GSM 03.50 gives recommendation for both the loudness ratings and frequency mask for a GSM terminal interconnection with Bluetooth.

1- The output of the CVSD decoder are 16-bit linear PCM digital samples, at a sampling frequency of 8000 samples per second. Bluetooth also supports 8-bit log PCM samples of A-law and μ -law type. The sound pressure at the ear reference point for a given 16-bit CVSD sample, should follow the sound pressure level given in the cellular standard specification.

2- A maximum sound pressure which can be represented by a 16-bit linear PCM sample at the output of the CVSD decoder should be specified according to the loudness rating, in ITU P.79 and at PGA value of 0 dB. Programmable Gain Amplifiers (PGAs) are used to control the audio level at the terminals by



the user. For conversion between various PCM representations: A-law, μ -law and linear PCM, ITU-T G.711, G.712, G.714 give guidelines and PCM value relationships. Zero-code suppression based on ITU-T G.711 is also recommended to avoid network mismatches.

A.7 FREQUENCY MASK

When interfacing a Bluetooth terminal to a digital cellular mobile terminal, the CVSD decoder signal should conform to the frequency mask given in the GSM cellular standard so that the speech coders operate in the intended manner. A recommendation for a frequency mask is given in Table A.1. Figure A.3 shows a plot of the frequency mask for Bluetooth (solid line). The GSM frequency mask (dotted line) is shown in Figure A.3 for comparison.

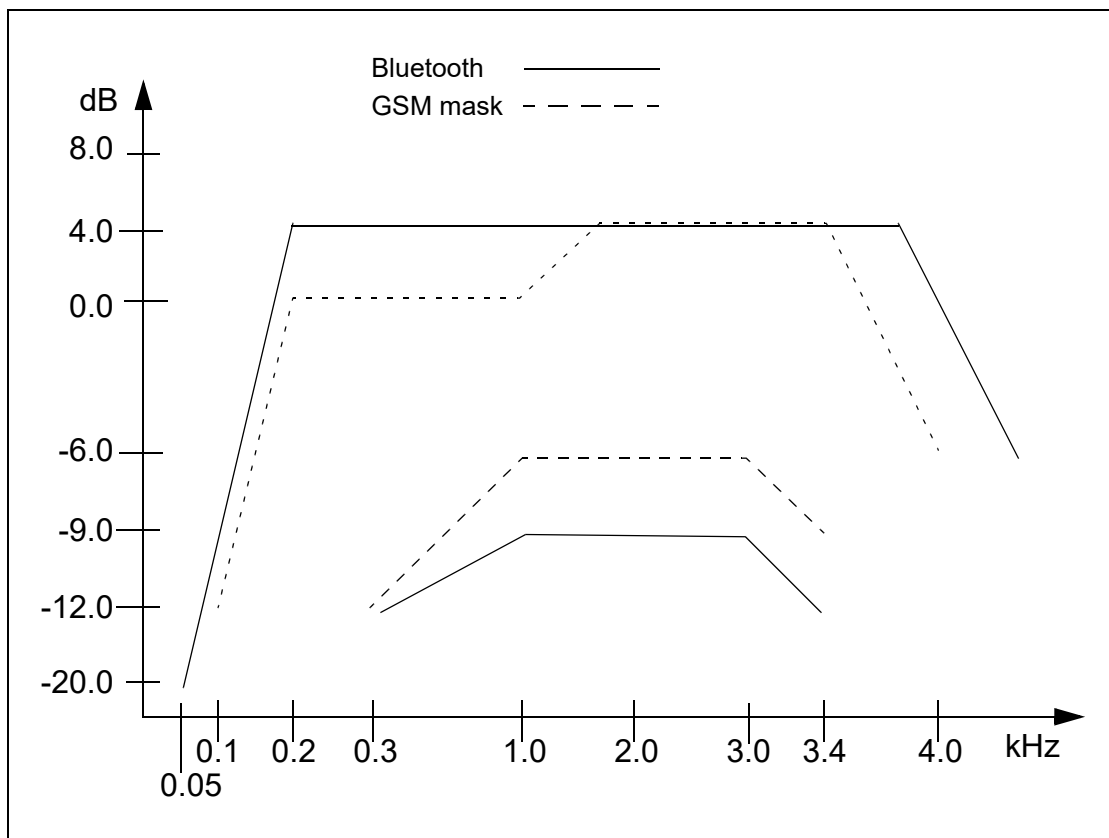


Figure A.3: Plot of recommended frequency mask for Bluetooth. The GSM send frequency mask is given for comparison (dotted line).

Frequency (Hz)	Upper Limit (dB)	Lower Limit (dB)
50	-20	none
300	4	-12
1000	4	-9

Table A.1: Recommended frequency mask for Bluetooth



Frequency (Hz)	Upper Limit (dB)	Lower Limit (dB)
2000	4	-9
3000	4	-9
3400	4	-12
4000	0	none

Table A.1: Recommended frequency mask for Bluetooth



APPENDIX B TIMERS

This appendix contains a list of Baseband timers related to inactivity timeout defined in the specification. Definitions and default values of the timers are listed below

All timer values are given in slots.

B.1 LIST OF TIMERS

B.1.1 *inquiryTO*

The *inquiryTO* defines the number of slots the Inquiry substate shall last. The timer value may be changed by the Host. HCI provides a command to change the timer value.

B.1.2 *pageTO*

The *pageTO* defines the number of slots the Page substate can last before a response is received when the *extended_pageTO* is zero. The timer value may be changed by the Host. HCI provides a command to change the timer value.

B.1.3 *extended_pageTO*

The *extended_pageTO* defines the number of additional slots the Page substate can last beyond *pageTO* before a response is received. The timer value may be changed by the Host. HCI provides a command to change the timer value.

B.1.4 *pagerespTO*

In the Peripheral, *pagerespTO* defines the number of slots the Peripheral shall await the Central's response, FHS packet, after sending the page acknowledgment ID packet. In the Central, *pagerespTO* defines the number of slots the Central should wait for the FHS packet acknowledgment before returning to Page substate. Both Central and Peripheral units should use the same value for this timeout, to allow common page/scan intervals after reaching *pagerespTO*.

The *pagerespTO* value is 8 slots.

B.1.5 *newconnectionTO*

Every time a new connection is started through paging, scanning, or role switch, the Central sends a POLL packet as the first packet in the new connection. Transmission and acknowledgment of this POLL packet is used to confirm the new connection. If the POLL packet is not received by the



Peripheral or the response packet is not received by the Central for *newconnectionTO* number of slots, both the Central and the Peripheral should return to the previous substate.

newconnectionTO value is 32 slots.

B.1.6 supervisionTO

The *supervisionTO* is used by both the Central and Peripheral to monitor link loss. If a device does not receive any packets that pass the HEC check and have the proper LT_ADDR for a period of *supervisionTO*, it should reset the link. The supervision timer keeps running in Hold mode and Sniff mode.

The *supervisionTO* value may be changed by the Host. HCI provides a command to change the timer value. At the Baseband level a default value equivalent to 20 seconds should be used.

B.1.7 CPB_supervisionTO

The *CPB_supervisionTO* is used by the Peripheral to monitor connection loss and by the Central to monitor scheduling conflicts and shall be between 0x0002 to 0xFFFFE with only even values valid. At the Baseband level a default value equivalent to 5.12 seconds should be used. The Host can change the value of *CPB_supervisionTO*.

B.1.8 synchronization_trainTO

The *synchronization_trainTO* is used by the Central to determine how long to continue broadcasting Synchronization Train packets and shall be between 0x0000002 to 0x07FFFFFFE with only even values valid. At the Baseband level a default value equivalent to 120 seconds should be used for Connectionless Peripheral Broadcast and a default value equivalent to 20 seconds should be used for Coarse Clock Adjustment Recovery Mode. The Host may change the value of *synchronization_trainTO* that is used during Connectionless Peripheral Broadcast.

B.1.9 synchronization_scanTO

The *synchronization_scanTO* is used by the Peripheral to determine when to stop scanning for synchronization train packets. It shall be between 0x0022 to 0xFFFFE with only even values valid. At the Baseband level a default value equivalent to 5.12 seconds should be used for Connectionless Peripheral Broadcast and a default value equivalent to 20 seconds should be used during Coarse Clock Adjustment Recovery Mode. The Host may change the value of *synchronization_scanTO* that is used during Connectionless Peripheral Broadcast.



B.1.10 authenticatedPayloadTO

The *authenticatedPayloadTO* is the maximum amount of time in seconds allowed between receiving packets containing a MIC. The Host can change the value of *authenticatedPayloadTO*.

The default value for *authenticatedPayloadTO* is 30 seconds.

B.1.11 CLK_adj_dragTO

The *CLK_adj_dragTO* is the minimum amount of time in seconds the drag shall be suspended when a Peripheral has not responded after the Central has dragged the clock.

The *CLK_adj_dragTO* value shall be 1 second.



APPENDIX C RECOMMENDATIONS FOR AFH OPERATION IN HOLD, SNIFF, AND CONNECTIONLESS PERIPHERAL BROADCAST MODES

The three possible AFH operation modes for an AFH capable Peripheral in Hold mode and Sniff mode are the same three AFH operation modes used during Connection state:

- *Enabled* (using an AHS with some RF channels unused)
- *Enabled* (using AHS(79))
- *Disabled*

The Central may place an AFH capable Peripheral in any of the three AFH operating modes.

C.1 OPERATION AT THE CENTRAL

A Central that has one or more Peripherals in Hold mode or Sniff mode and decides to update them simultaneously shall schedule an *AFH_Instant* for a time that allows it to update all these Peripherals (as well as its active Peripherals) with the new adaptation.

A Central that has multiple Peripherals with non-overlapping “wake” times (e.g. Peripherals in Sniff mode with different timing parameters) may keep them *enabled* on the same adaptation provided that its scheduling of the *AFH_Instant* allows enough time to update them all.

This timing is summarized in [Figure C.1](#). In this example the Central decides that a hop sequence adaptation applying to all its Peripherals at the same time is required. However it cannot schedule an *AFH_Instant* until it has informed its active Peripheral, its Peripheral in Hold mode, and its Peripheral in Sniff mode.

If it decides that only some Peripherals require the new adaptation, it need only take those Peripherals into account when scheduling the *AFH_Instant*.

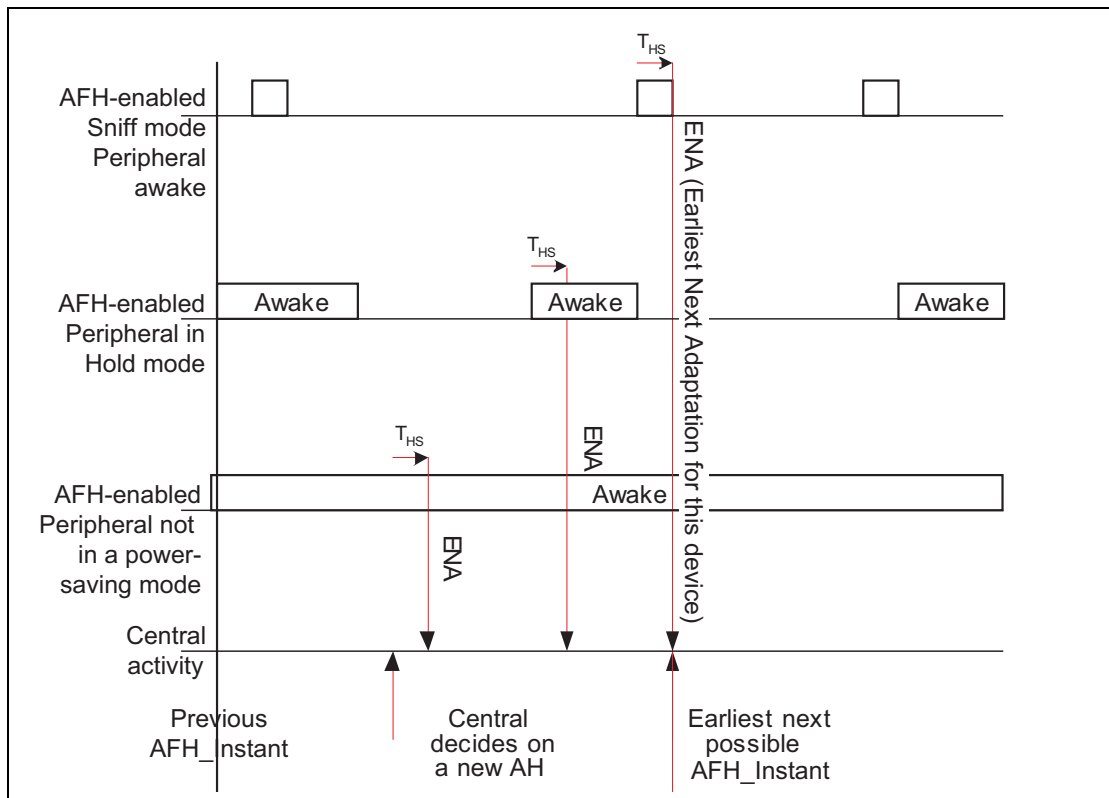


Figure C.1: Timing constraint on AFH_Instance with Peripherals in Hold and Sniff modes

C.2 [THIS SECTION IS NO LONGER USED]

C.3 AFH OPERATION IN SNIFF MODE

Once a Peripheral has been placed in Sniff mode, the Central may periodically change its AHS without taking the Peripheral out of Sniff mode.

C.4 AFH OPERATION IN HOLD MODE

A Peripheral that is in Hold mode cannot send or receive any LMP messages. Once the Peripheral has left Hold mode the Central may subsequently update the Peripheral's adaptation.

C.5 AFH OPERATION IN CONNECTIONLESS PERIPHERAL BROADCAST

After the Transmitter's BR/EDR Controller notifies the Transmitter's Host that the AFH channel map has changed for the PBD logical link, the Transmitter's Host may restart the synchronization train to allow Receivers to obtain the updated AFH channel map. This is shown in [Figure C.2](#).

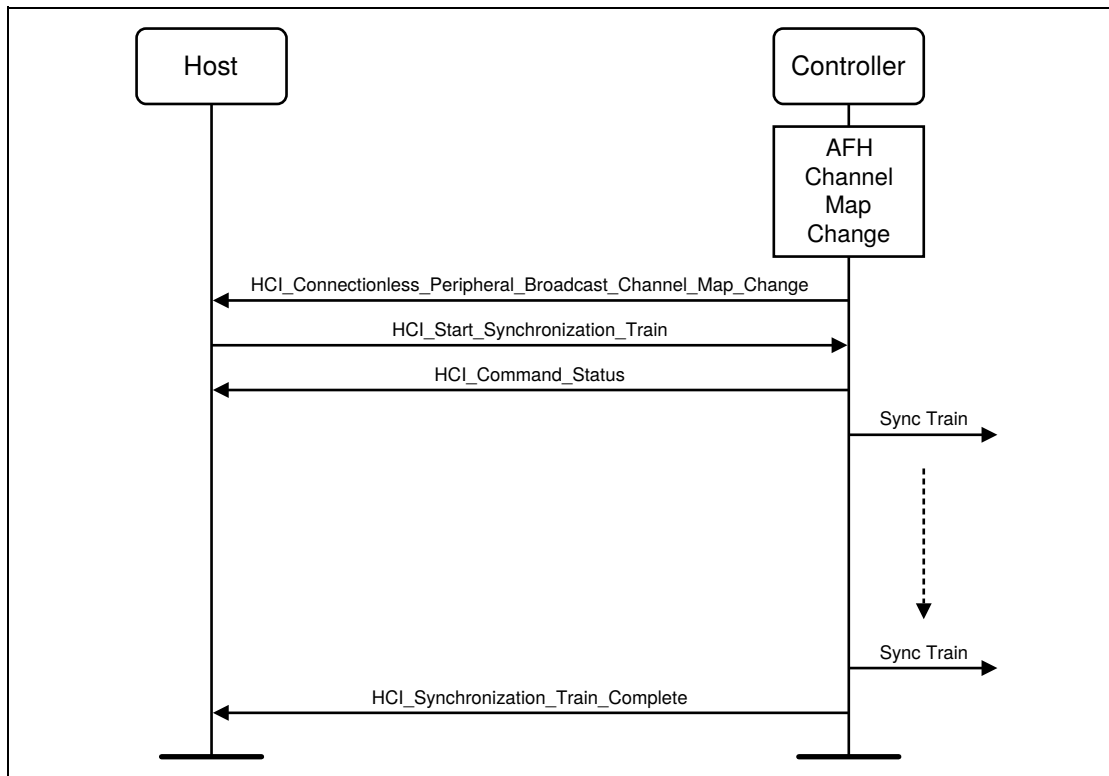


Figure C.2: AFH map change – Connectionless Peripheral Broadcast Transmitter

Modification of the AFH channel map will affect Receivers using a different AFH channel map. Depending on the overlap between a Receiver’s current AFH channel map and the current AFH channel map of the Transmitter (Central), the Receiver may miss some Connectionless Peripheral Broadcast instants and, in the case of disjoint or nearly disjoint AFH channel maps, the Receiver may lose synchronization. Receivers should monitor the Connectionless Peripheral Broadcast reception rate and obtain the current AFH channel map of the Transmitter (via the synchronization train) if degradation exceeds desired thresholds.

LINK MANAGER PROTOCOL SPECIFICATION

This Part describes the Link Manager protocol (LMP) which is used for link set-up and control. The signals are interpreted and filtered out by the Link Manager on the receiving side and are not propagated to higher layers.



CONTENTS

1	Introduction	582
2	General rules	583
2.1	Message transport.....	583
2.2	Synchronization.....	583
2.3	Packet format.....	584
2.4	Transactions.....	585
2.4.1	LMP response timeout.....	585
2.5	Error handling.....	586
2.5.1	Transaction collision resolution.....	587
2.6	Procedure rules.....	587
2.7	General response messages.....	588
2.8	LMP message constraints.....	588
3	Device features	589
3.1	General description.....	589
3.2	Feature definitions.....	589
3.3	Feature mask definition.....	594
3.4	Link Manager interoperability policy.....	597
3.5	Feature requirements.....	598
3.5.1	Devices supporting BR/EDR.....	598
3.5.2	Devices not supporting BR/EDR.....	600
4	Procedure rules	602
4.1	Connection control.....	602
4.1.1	Connection establishment.....	602
4.1.2	Detach.....	603
4.1.3	Power control.....	604
4.1.3.1	Enhanced power control.....	606
4.1.4	Adaptive frequency hopping.....	607
4.1.4.1	Central enables AFH.....	608
4.1.4.2	Central disables AFH.....	609
4.1.4.3	Central updates AFH.....	609
4.1.4.4	AFH operation in Hold and Sniff modes.....	609
4.1.5	Channel classification.....	610
4.1.5.1	Channel classification reporting enabling and disabling.....	611
4.1.6	Link supervision.....	612
4.1.7	Channel quality driven data rate change (CQDDR)....	612
4.1.8	Quality of service (QoS).....	613



- 4.1.8.1 Central notifies Peripheral of the quality of service 614
- 4.1.8.2 Device requests new quality of service 614
- 4.1.9 Paging scheme parameters 615
 - 4.1.9.1 Page mode 615
 - 4.1.9.2 Page Scan mode 616
- 4.1.10 Control of multi-slot packets 616
- 4.1.11 Enhanced Data Rate 617
- 4.1.12 Encapsulated LMP PDUs 619
 - 4.1.12.1 Sending an encapsulated PDU 619
- 4.1.13 Ping 620
- 4.1.14 Piconet clock adjustment 621
 - 4.1.14.1 Central coarse adjustment of piconet clock.. 622
 - 4.1.14.2 Peripheral request for coarse adjustment of piconet clock 623
- 4.1.15 Slot Availability Mask 625
 - 4.1.15.1 SAM type 0 submap configuration 627
 - 4.1.15.2 SAM slot map define 627
 - 4.1.15.3 SAM switch sequence 628
 - 4.1.15.4 SAM change during the transmission of a multi-slot packet 628
 - 4.1.15.5 SAM and role switching 629
 - 4.1.15.6 SAM and Sniff mode 629
- 4.2 Security 629
 - 4.2.1 Authentication 629
 - 4.2.1.1 Claimant has link key (legacy authentication) 630
 - 4.2.1.2 Claimant has no link key (legacy authentication and secure authentication) 631
 - 4.2.1.3 Repeated attempts 631
 - 4.2.1.4 Responder has link key (secure authentication) 631
 - 4.2.2 Pairing 632
 - 4.2.2.1 Responder accepts pairing and has a variable PIN 633
 - 4.2.2.2 Responder accepts pairing and has a fixed PIN 633
 - 4.2.2.3 Responder rejects pairing 634
 - 4.2.2.4 Creation of the link key 634
 - 4.2.2.5 Repeated attempts 635
 - 4.2.3 Change link key 635
 - 4.2.4 Change current link key type 636
 - 4.2.4.1 Change to a temporary link key 637



- 4.2.4.2 Semi-permanent link key becomes current link key 638
- 4.2.5 Encryption 638
 - 4.2.5.1 Encryption mode 639
 - 4.2.5.2 Encryption key size 640
 - 4.2.5.3 Start encryption 641
 - 4.2.5.4 Stop encryption 642
 - 4.2.5.5 Pause encryption..... 643
 - 4.2.5.6 Resume encryption 646
 - 4.2.5.7 Change encryption key or random number .. 647
 - 4.2.5.8 Encryption key refresh..... 647
- 4.2.6 Request supported encryption key size 648
- 4.2.7 Secure Simple Pairing 648
 - 4.2.7.1 IO capability exchange 649
 - 4.2.7.2 Public key exchange 651
 - 4.2.7.3 Authentication stage 1 652
 - 4.2.7.4 Authentication stage 2: DHKey check 660
- 4.3 Informational requests 662
 - 4.3.1 Timing accuracy 662
 - 4.3.2 Clock offset 663
 - 4.3.3 LMP version 664
 - 4.3.4 Supported features 665
 - 4.3.5 Name request 666
- 4.4 Role switch 667
 - 4.4.1 Slot offset..... 667
 - 4.4.2 Role switch..... 668
- 4.5 Modes of operation 670
 - 4.5.1 Hold mode..... 670
 - 4.5.1.1 Central forces Hold mode..... 671
 - 4.5.1.2 Peripheral forces Hold mode 671
 - 4.5.1.3 Central or Peripheral requests Hold mode ... 672
 - 4.5.2 [This section is no longer used] 673
 - 4.5.3 Sniff mode 673
 - 4.5.3.1 Central or Peripheral requests Sniff mode ... 673
 - 4.5.3.2 Moving a Peripheral from Sniff mode to Active mode 675
 - 4.5.3.3 Sniff subrating..... 675
- 4.6 Logical transports 677
 - 4.6.1 SCO logical transport..... 677
 - 4.6.1.1 Central initiates a SCO link 678
 - 4.6.1.2 Peripheral initiates a SCO link..... 679
 - 4.6.1.3 Central requests change of SCO parameters 679



- 4.6.1.4 Peripheral requests change of SCO parameters
680
- 4.6.1.5 Remove a SCO link..... 680
- 4.6.2 eSCO logical transport..... 680
 - 4.6.2.1 Central initiates an eSCO link 681
 - 4.6.2.2 Peripheral initiates an eSCO link..... 682
 - 4.6.2.3 Central or Peripheral requests change of eSCO
parameters 682
 - 4.6.2.4 Remove an eSCO link..... 683
 - 4.6.2.5 Rules for the LMP negotiation and renegotiation
683
 - 4.6.2.6 Negotiation state definitions 684
- 4.7 Test mode 685
 - 4.7.1 Activation and deactivation of Test mode..... 685
 - 4.7.2 Control of Test mode..... 686
 - 4.7.3 Summary of Test mode PDUs..... 687
- 5 Summary 690**
 - 5.1 PDU summary 690
 - 5.2 Parameter definitions..... 698
 - 5.3 LMP encapsulated 709
 - 5.4 Default values 709
- Appendix A Changes to parameter names 710**

1 INTRODUCTION

The Link Manager Protocol (LMP) is used to control and negotiate all aspects of the operation of the Bluetooth connection between two devices. This includes the set-up and control of logical transports and logical links, and for control of physical links.

The Link Manager Protocol is used to communicate between the Link Managers (LM) on the two devices. All LMP messages shall apply solely to the physical link and associated logical links and logical transports between the sending and receiving devices.

The protocol is made up of a series of messages which shall be transferred over the ACL-C or APB-C logical link between two devices. LMP messages shall be interpreted and acted-upon by the LM and shall not be directly propagated to higher protocol layers.

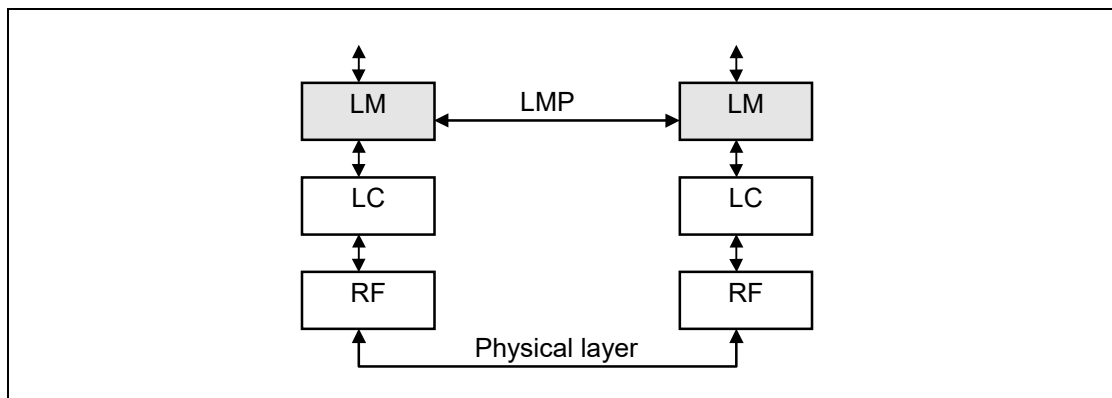


Figure 1.1: Link Manager Protocol signaling layer



2 GENERAL RULES

2.1 MESSAGE TRANSPORT

LMP messages shall be exchanged over the ACL-C logical link that is carried on the default ACL logical transport ([Vol 2] Part B, Section 4.4) or over the APB-C logical link that is carried on the APB logical transport ([Vol 2] Part B, Section 4.6). LMP messages shall be carried on the default ACL logical transport unless specified otherwise in Sections 4 and 5. The ACL-C and APB-C logical links are distinguished from the ACL-U and APB-U logical links (which carry L2CAP and user data) by the Logical Link Identifier (LLID) field carried in the payload header of variable-length packets ([Vol 2] Part B, Section 6.6.2).

The control logical links have a higher priority than other traffic - see [Vol 2] Part B, Section 5.6.

The error detection and correction capabilities of the Baseband ACL logical transport are generally sufficient for the requirements of the LMP. Therefore LMP messages do not contain any additional error detection information beyond what can be realized by means of sanity checks performed on the contents of LMP messages. Any such checks and protections to overcome undetected errors in LMP messages is an implementation matter.

2.2 SYNCHRONIZATION

This section explains why many of the LMP message sequences are defined as they are. It does not create any requirements.

LMP messages are carried on the ACL-C and APB-C logical links, which do not guarantee a time to deliver or acknowledge packets. LMP procedures take account of this when synchronizing state changes in the two devices. For example, criteria are defined that specify when a logical transport address (LT_ADDR) may be re-used after it becomes available due to a device leaving the piconet. Other LMP procedures, such as hold or role switch include the Bluetooth clock as a parameter in order to define a fixed synchronization point. The transitions into and out of Sniff mode are protected with a transition mode.

The LC normally attempts to communicate with each Peripheral no less often than every T_{poll} slots (see Section 4.1.8) based on the T_{poll} for that Peripheral.

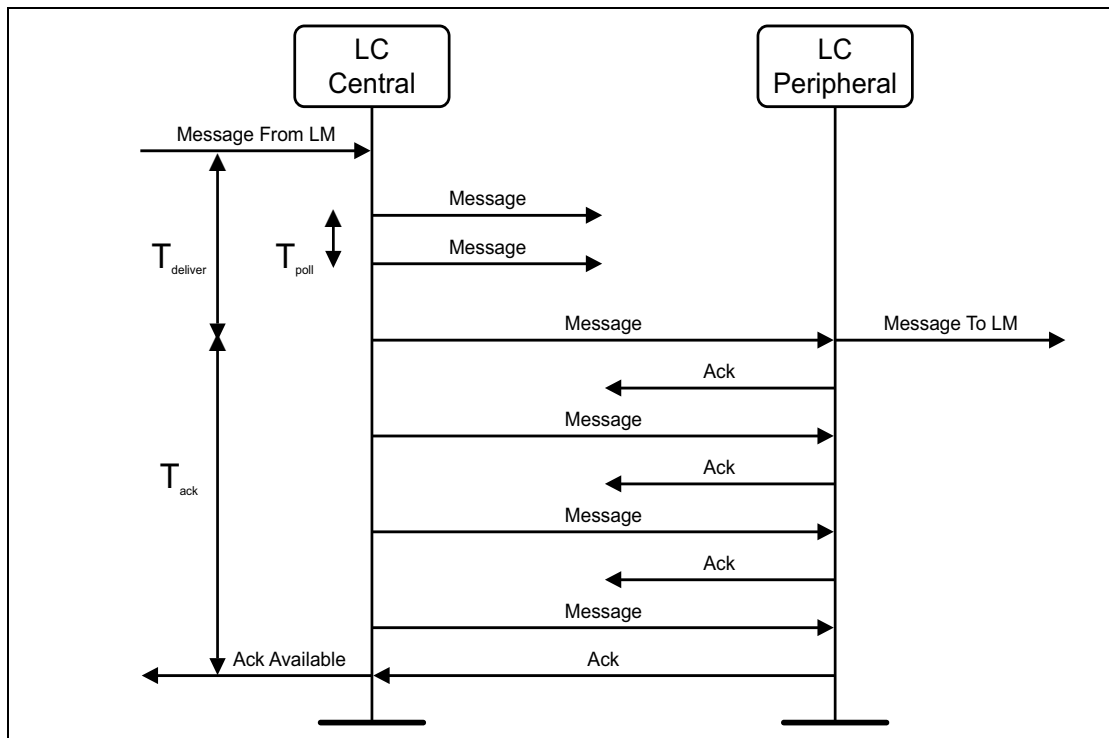


Figure 2.1: Transmission of a message from Central to Peripheral¹

Figure 2.1 illustrates the fundamental problem. It shows the transmission of a packet from the Central to the Peripheral in conditions of heavy interference for illustrative purposes. It is obvious that neither side can determine the value of either $T_{deliver}$ or T_{ack} . It is therefore not possible to use simple messages to identify uniquely the instant at which a state change occurs in the other device.

2.3 PACKET FORMAT

Each PDU is assigned either a 7 or a 15 bit opcode used to uniquely identify different types of PDUs, see Table 5.1. The first 7 bits of the opcode and a transaction ID are located in the first byte of the payload body. If the initial 7 bits of the opcode have one of the special escape values 124 to 127 then an additional byte of opcode is located in the second byte of the payload and the combination uniquely identifies the PDU.

The FLOW bit in the packet header is always 1 and shall be ignored on reception.

If the PDU contains one or more parameters these are placed in the payload starting immediately after the opcode, i.e. at byte 2 if the PDU has a 7 bit opcode or byte 3 if the PDU has a 15 bit opcode. The number of bytes used

1. Note the diagram shows the limiting case where the Central transmits the message at intervals of T_{poll} . In the case of heavy interference improved performance is gained by transmitting more often.



depends on the length of the parameters. The representation of each parameter is determined by its type as specified in [Vol 1] Part E, Section 2.9.

LMP messages shall be transmitted using DM1 packets, however if an HV1 SCO link is in use and the length of the payload is no greater than 9 bytes then DV packets may be used.

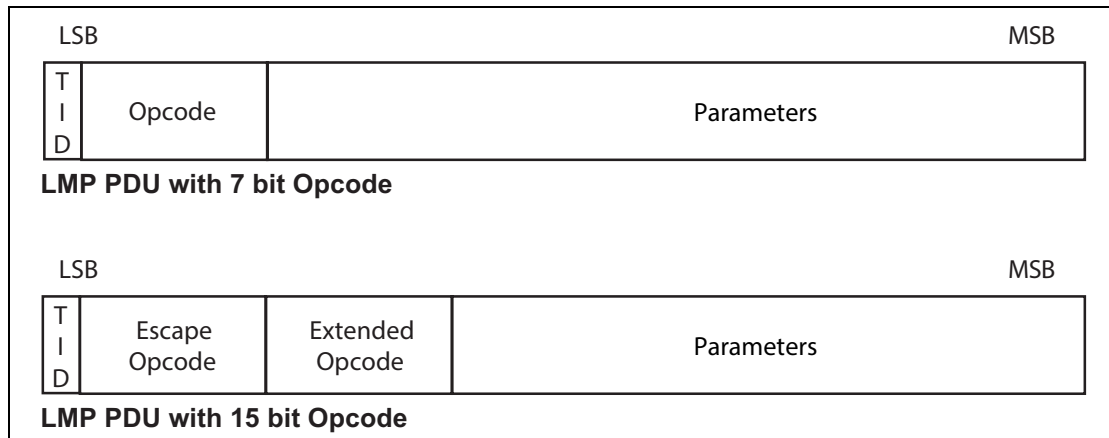


Figure 2.2: Payload body when LMP PDUs are sent

2.4 TRANSACTIONS

The LMP operates in terms of transactions. A transaction is a connected set of message exchanges which achieve a particular purpose. All PDUs which form part of the same transaction shall have the same value for the transaction ID which is stored as part of the first byte of the opcode (see Section 2.3).

The transaction ID is in the least significant bit. It shall be 0 if the PDU forms part of a transaction that was initiated by the Central and 1 if the transaction was initiated by the Peripheral.

Each sequence described in Section 4 shall be defined as a transaction. For pairing, see Section 4.2.2, and encryption, see Section 4.2.5, all sequences belonging to each section shall be counted as one transaction and shall use the same transaction ID. For connection establishment, see Section 4.1.1, LMP_HOST_CONNECTION_REQ and the response with LMP_ACCEPTED or LMP_NOT_ACCEPTED shall form one transaction and have the transaction ID of 0. LMP_SETUP_COMPLETE is a stand-alone PDU, which forms a transaction by itself.

For error handling, see Section 2.5, the PDU to be rejected and LMP_NOT_ACCEPTED or LMP_NOT_ACCEPTED_EXT shall form a single transaction.

2.4.1 LMP response timeout

The time between receiving a Baseband packet carrying an LMP PDU and sending a Baseband packet carrying a valid response PDU, according to the



procedure rules in [Section 4](#), shall be less than the LMP Response Timeout. The value of this timeout is 30 seconds. The LMP Response Timeout is applied not only to sequences described in [Section 4](#), but also to the series of the sequences defined as the transactions in [Section 4](#). It shall also be applied to the series of LMP transactions that take place during a period when traffic on the ACL-U logical link is disabled for the duration of the series of LMP transactions, for example during the enabling of encryption.

The LMP Response Timeout shall restart each time an LMP PDU which requires a reply is queued for transmission by the Baseband.

LMP messages sent on the APB-C logical link have special rules and are not subject to the LMP Response Timeout.

2.5 ERROR HANDLING

If the LM receives a PDU with an unknown opcode (e.g. one added in a higher version of the specification), it shall respond with `LMP_NOT_ACCEPTED` or `LMP_NOT_ACCEPTED_EXT` with the `Error_Code` *Unknown LMP PDU* (0x19). The `Opcode` parameter shall be the unrecognized opcode.

If the LM receives a PDU which contains valid parameters followed by extra data, it shall either ignore the extra data or shall respond with `LMP_NOT_ACCEPTED` or `LMP_NOT_ACCEPTED_EXT` with the `Error_Code` *Invalid LMP Parameters* (0x1E).

If the LM receives a PDU which is too short to hold all the parameters, it shall either continue with implementation-specific values for the missing or damaged parameters or shall respond with `LMP_NOT_ACCEPTED` or `LMP_NOT_ACCEPTED_EXT` with the `Error_Code` *Invalid LMP Parameters* (0x1E).

If the LM receives a PDU with the correct length but with invalid parameters, it shall respond with `LMP_NOT_ACCEPTED` or `LMP_NOT_ACCEPTED_EXT` with the `Error_Code` *Invalid LMP Parameters* (0x1E).

If the maximum response time (see [Section 2.4.1](#)) is exceeded or if a link loss is detected (see [\[Vol 2\] Part B, Section 3.1](#)), the party that waits for the response shall conclude that the procedure has terminated unsuccessfully.

Erroneous LMP messages can be caused by errors on the channel or systematic errors at the transmit side. To detect the latter case, the LM should monitor the number of erroneous messages and disconnect if it exceeds a threshold, which is implementation-dependent.

When the LM receives a PDU that is not allowed, and the PDU normally expects a PDU reply, for example `LMP_HOST_CONNECTION_REQ`, the LM shall return PDU `LMP_NOT_ACCEPTED` or `LMP_NOT_ACCEPTED_EXT` with the `Error_Code` *LMP PDU Not Allowed* (0x24). If the PDU normally doesn't



expect a reply, for example LMP_SRES or LMP_TEMP_KEY, the PDU shall be ignored.

If the LM recognizes the PDU as optional but unsupported then it shall reply with LMP_NOT_ACCEPTED or LMP_NOT_ACCEPTED_EXT with the Error_Code *Unsupported LMP Feature* (0x1A) if the PDU would normally generate a reply; otherwise it shall ignore the PDU and no reply is generated.

2.5.1 Transaction collision resolution

Since LMP PDUs are not interpreted in real time, collision situations can occur where both LMs initiate the same procedure and both cannot be completed. In this situation, the Central shall reject the Peripheral-initiated procedure by sending LMP_NOT_ACCEPTED or LMP_NOT_ACCEPTED_EXT with the Error_Code *LMP Error Transaction Collision / LL Procedure Collision* (0x23). The Central-initiated procedure shall then be completed.

Collision situations can also occur where both LMs initiate different procedures and both cannot be completed. In this situation, the Central shall reject the Peripheral-initiated procedure by sending LMP_NOT_ACCEPTED or LMP_NOT_ACCEPTED_EXT with the Error_Code *Different Transaction Collision* (0x2A). The Central-initiated procedure shall then be completed.

2.6 PROCEDURE RULES

Each procedure is described and depicted with a sequence diagram. The symbols in [Figure 2.3](#) are used in the sequence diagrams:

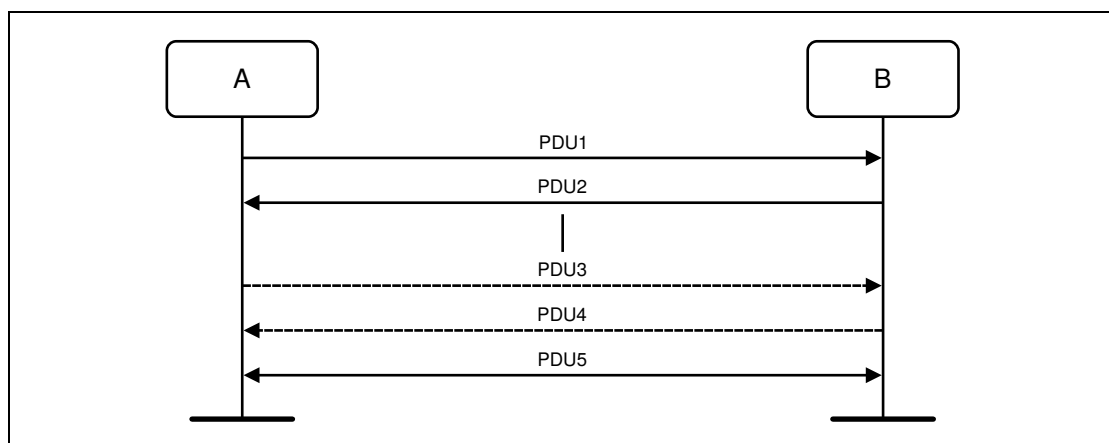


Figure 2.3: Symbols used in sequence diagrams

PDU1 is a PDU sent from A to B. PDU2 is a PDU sent from B to A. PDU3 is a PDU that is optionally sent from A to B. PDU4 is a PDU that is optionally sent from B to A. PDU5 is a PDU sent from either A or B. A vertical line indicates that more PDUs can optionally be sent.



2.7 GENERAL RESPONSE MESSAGES

The PDUs LMP_ACCEPTED, LMP_ACCEPTED_EXT, LMP_NOT_ACCEPTED and LMP_NOT_ACCEPTED_EXT are used as response messages to other PDUs in a number of different procedures. LMP_ACCEPTED or LMP_ACCEPTED_EXT includes the opcode of the message which is accepted. LMP_NOT_ACCEPTED or LMP_NOT_ACCEPTED_EXT includes the opcode of the message which is not accepted and the error code why it is not accepted.

LMP_ACCEPTED_EXT and LMP_NOT_ACCEPTED_EXT shall be used when the opcode is 15 bits in length. LMP_ACCEPTED and LMP_NOT_ACCEPTED shall be used when the opcode is 7 bits in length.

M/O	PDU	Contents
M	LMP_ACCEPTED	Opcode
M	LMP_NOT_ACCEPTED	Opcode Error_Code
O	LMP_ACCEPTED_EXT	Escape_Opcode Extended_Opcode
O	LMP_NOT_ACCEPTED_EXT	Escape_Opcode Extended_Opcode Error_Code

Table 2.1: General response messages

2.8 LMP MESSAGE CONSTRAINTS

The following principles are used in the design of LMP.

- No LMP message exceeds the maximum payload length of a single DM1 packet i.e. 17 bytes in length ([Vol 2] Part B, Section 6.5.4.1).
- All LMP messages are of fixed length.
- The LMP version number is not used to indicate the presence or absence of functionality.



3 DEVICE FEATURES

3.1 GENERAL DESCRIPTION

Each PDU is either Mandatory or Optional as defined by the M/O field in the tables of [Section 4](#). An M in this field shall indicate that support for the PDU is mandatory. An O in this field shall indicate that support for the PDU is optional and it shall be followed by the number(s) of the feature(s) involved in brackets.

Some features have associated LMP feature bits. Support of these features may be required by the qualification process but the LM still considers them to be optional since it must interoperate with devices which do not support them.

The LM does not need to be able to transmit a PDU which is optional. Support of optional PDUs is indicated by a device's features mask. The features mask can be read (see [Section 4.3.4](#)). An LM shall not send or be sent any PDU which is incompatible with the features signaled in its or its peer's features mask, as detailed in [Section 3.2](#).

The set of features supported by the LM shall not change while the Controller has a connection to another device. A peer device may cache the device's feature mask or extended feature mask, or the LM may cache a peer's feature mask or extended feature mask, during a connection.

3.2 FEATURE DEFINITIONS

Feature	Definition
3-slot Enhanced Data Rate ACL packets	This feature indicates whether the device supports the transmission and reception of three-slot Enhanced Data Rate packets on the ACL-U logical link.
3-slot Enhanced Data Rate eSCO packets	This feature indicates whether the device supports the transmission and reception of 3-slot Enhanced Data Rate packets for the transport of traffic on the eSCO logical transport.
3 slot packets	This feature indicates whether the device supports the transmission and reception of both DM3 and DH3 packets for the transport of traffic on the ACL-U logical link.
5-slot Enhanced Data Rate ACL packets	This feature indicates whether the device supports the transmission and reception of 5-slot Enhanced Data Rate packets for the transport of traffic on the ACL-U logical link.
5 slot packets	This feature indicates whether the device supports the transmission and reception of both DM5 and DH5 packets for the transport of traffic on the ACL-U logical link.
AFH capable Central	This indicates whether the device is able to support the Adaptive Frequency Hopping mechanism as a Central as defined in [Vol 2] Part B, Section 2.3 using the LMP sequences defined in Section 4.1.4 .

Table 3.1: Feature definitions (Sheet 1 of 6)



Feature	Definition
AFH capable Peripheral	This feature indicates whether the device is able to support the Adaptive Frequency Hopping mechanism as a Peripheral as defined in [Vol 2] Part B, Section 2.3 using the LMP sequences defined in Section 4.1.4.
AFH classification Central	This feature indicate whether the device is able to support the AFH classification mechanism as a Central as defined in [Vol 2] Part B, Section 8.6.8 using the LMP sequences defined in Section 4.1.5.
AFH classification Peripheral	This feature indicates whether the device is able to support the AFH classification mechanism as a Peripheral as defined in [Vol 2] Part B, Section 8.6.8 using the LMP sequences defined in Section 4.1.5.
A-law log synchronous data	This feature indicates whether the device is capable of supporting A-law Log format data as defined in [Vol 2] Part B, Section 9.1 on the SCO and eSCO logical transports.
BR/EDR Not Supported	This feature indicates whether the device does not support BR/EDR.
Broadcast encryption	This feature indicates whether the device is capable of supporting broadcast encryption as defined in [Vol 2] Part H, Section 4.2 and also the sequences defined in Section 4.2.6 and Section 4.2.4.
Channel Quality Driven Data Rate	This feature indicates whether the LM is capable of recommending a packet type (or types) depending on the channel quality using the LMP sequences defined in Section 4.1.7.
Coarse Clock Adjustment	This feature indicates whether the device is able to support coarse clock adjustments using the LMP sequences as defined in Section 4.1.14.
Connectionless Peripheral Broadcast - Receiver Operation	This feature indicates whether the device supports Connectionless Peripheral Broadcast as Receiver.
Connectionless Peripheral Broadcast - Transmitter Operation	This feature indicates whether the device supports Connectionless Peripheral Broadcast as Transmitter.
CVSD synchronous data	This feature indicates whether the device is capable of supporting CVSD format data as defined in [Vol 2] Part B, Section 9.2 on the SCO and eSCO logical transports.
Encapsulated PDU	This feature indicates whether the device is capable of supporting the Encapsulated PDU mechanism as defined in Section 4.1.12.1.
Encryption	This feature indicates whether the device supports the encryption of packet contents using the sequence defined in Section 4.2.5.
Enhanced Data Rate ACL 2 Mb/s mode	This feature indicates whether the device supports the transmission and reception of 2-DH1 packets for the transport of traffic on the ACL-U logical link.

Table 3.1: Feature definitions (Sheet 2 of 6)



Feature	Definition
Enhanced Data Rate ACL 3 Mb/s mode	This feature indicates whether the device supports the transmission and reception of 3-DH1 packets for the transport of traffic on the ACL-U logical link.
Enhanced Data Rate eSCO 2 Mb/s mode	This feature indicates whether the device supports the transmission and reception of 2-EV3 packets for the transport of traffic on the eSCO logical transport.
Enhanced Data Rate eSCO 3 Mb/s mode	This feature indicates whether the device supports the transmission and reception of 3-EV3 packets for the transport of traffic on the eSCO logical transport.
Enhanced power control	This feature indicates whether the device is able to support enhanced power control using the LMP sequences as defined in Section 4.1.3.1 .
Erroneous Data Reporting	This feature indicates whether the device is able to support the Packet_Status_Flag and the HCI commands HCI_Write_Default_Erroneous_Data_Reporting and HCI_Read_Default_Erroneous_Data_Reporting.
EV4 packets	This feature indicates whether the device is capable of supporting the EV4 packet type defined in [Vol 2] Part B, Section 6.5.3.2 on the eSCO logical transport.
EV5 packets	This feature indicates whether the device is capable of supporting the EV5 packet type defined in [Vol 2] Part B, Section 6.5.3.3 on the eSCO logical transport.
Extended features	This feature indicates whether the device is able to support the extended features mask using the LMP sequences defined in Section 4.3.4 .
Extended Inquiry Response	This feature indicates whether the device supports extended inquiry response as defined in [Vol 2] Part B, Section 8.4.3 .
Extended SCO link	This feature indicates whether the device is able to support the eSCO logical transport as defined in [Vol 2] Part B, Section 5.5 and the EV3 packet defined in [Vol 2] Part B, Section 6.5.3.1 using the LMP sequences defined in Section 4.6.2 .
Flow control lag	This is defined as the total amount of ACL-U data that can be sent following the receipt of a valid payload header with the payload header flow bit set to 0 and is in units of 256 bytes. See further in [Vol 2] Part B, Section 6.6.2 .
Generalized interlaced scan	This feature indicates whether the device is able to support the generalized interlaced scan mechanism described in [Vol 2] Part B, Section 8.3.1 and Section 8.4.1 . The presence of this feature has only local meaning and does not imply support for any additional LMP PDUs or sequences.
Hold mode	This feature indicates whether the device is able to support Hold mode as defined in [Vol 2] Part B, Section 8.8 using the LMP sequences defined in Section 4.5.1 .

Table 3.1: Feature definitions (Sheet 3 of 6)



Feature	Definition
HV2 packets	This feature indicates whether the device is capable of supporting the HV2 packet type as defined in [Vol 2] Part B, Section 6.5.2.2 on the SCO logical transport.
HV3 packets	This feature indicates whether the device is capable of supporting the HV3 packet type as defined in [Vol 2] Part B, Section 6.5.2.3 on the SCO logical transport.
Inquiry Response Notification event	This feature bit indicates whether the device supports sending the HCI_Inquiry_Response_Notification event to the Host.
Interlaced inquiry scan	This feature indicates whether the device is capable of supporting the interlaced inquiry scan mechanism as defined in [Vol 2] Part B, Section 8.4.1. The presence of this feature has only local meaning and does not imply support for any additional LMP PDUs or sequences.
Interlaced page scan	This feature indicates whether the device is capable of supporting the interlaced page scan mechanism as defined in [Vol 2] Part B, Section 8.3.1. The presence of this feature has only local meaning and does not imply support for any additional LMP PDUs or sequences.
LE Supported (Controller)	This feature indicates whether the Controller supports LE. The local Host uses this feature bit to determine whether the Controller supports LE. A remote device does not use this feature bit.
LE Supported (Host)	This feature indicates that the Host supports LE. The local Host sets this feature bit to indicate to a remote device that the local device is capable of supporting LE. A remote Host uses this feature bit to determine whether an LE connection to the peer device is possible.
Link Supervision Timeout Changed event	This feature bit indicates whether the device supports the sending the HCI_Link_Supervision_Timeout_Changed event to the Host.
μ-law log synchronous data	This feature indicates whether the device is capable of supporting μ-law Log format data as defined in [Vol 2] Part B, Section 9.1 on the SCO and eSCO logical transports.
Non-flushable Packet Boundary Flag	This feature indicates that the device supports the capability to correctly handle HCI ACL Data packets with a Packet_Boundary_Flag value of 00 (Non-Automatically-Flushable packet).
Paging parameter negotiation	This feature indicates whether the LM is capable of supporting the signaling of changes in the paging scheme as defined in Section 4.1.9.
Pause Encryption	When this feature bit is enabled on both sides, then the encryption pause and resume sequences shall be used. If either side does not support the Pause Encryption feature bit, then the encryption pause and resume sequences shall not be used.
Ping	This feature indicates whether the device supports the transmission and reception of ping messages.

Table 3.1: Feature definitions (Sheet 4 of 6)



Feature	Definition
Power control	This feature indicates whether the device is capable of adjusting its transmission power. This feature indicates the ability to receive the LMP_INCR_POWER and LMP_DECR_POWER PDUs and transmit the LMP_MAX_POWER and LMP_MIN_POWER PDUs, using the sequences defined in Section 4.1.3 . These sequences may be used even if the remote device does not support the power control feature, as long as it supports the Power control requests feature.
Power control requests	This feature indicates whether the device is capable of determining if the transmit power level of the other device should be adjusted and will send the LMP_INCR_POWER and LMP_DECR_POWER PDUs to request the adjustments. It indicates the ability to receive the LMP_MAX_POWER and LMP_MIN_POWER PDUs, using the sequences in Section 4.1.3 . These sequences may be used even if the remote device does not support the RSSI feature, as long as it supports the power control feature.
Role switch	This feature indicates whether the device supports the exchange of Central and Peripheral roles as defined by [Vol 2] Part B, Section 8.6.5 using the sequence defined in Section 4.4.2 .
RSSI with inquiry results	This feature indicates whether the device is capable of reporting the RSSI with inquiry results as defined in [Vol 2] Part B, Section 8.4.2 . The presence of this feature has only local meaning and does not imply support for any additional LMP PDUs or sequences.
SCO link	This feature shall indicate whether the device is able to support the SCO logical transport as defined in [Vol 2] Part B, Section 4.3 , the HV1 packet defined in [Vol 2] Part B, Section 6.5.2.1 and receiving the DV packet defined in [Vol 2] Part B, Section 6.5.2.4 using the LMP sequence in Section 4.6.1 .
Secure Connections (Controller Support)	This feature indicates whether the Controller is able to support AES-CCM, the P-256 Elliptic Curve for Secure Simple Pairing, and enhanced authentication using the LMP sequences as defined in Section 4.2.7 .
Secure Connections (Host Support)	This feature indicates whether the Host is capable of supporting Secure Connections. If HCI is supported, this bit shall be set if the HCI_Write_Secure_Connections_Host_Support command has been issued by the Host. When HCI is not supported, this bit may be set using a vendor specific mechanism.
Secure Simple Pairing (Controller Support)	This feature indicates whether the Link Manager is capable of supporting Secure Simple Pairing as defined in Section 4.2.7 .
Secure Simple Pairing (Host Support)	This feature indicates whether the Host is capable of supporting Secure Simple Pairing as defined in Section 4.2.7 . If HCI is supported, this bit shall be set if the HCI_Write_Simple_Pairing_Mode command has been issued to enable the Secure Simple Pairing feature. When HCI is not supported, this bit may be set using a vendor specific mechanism.

Table 3.1: Feature definitions (Sheet 5 of 6)



Feature	Definition
Simultaneous LE and BR/EDR to Same Device Capable (Controller)	<p>This feature indicates that the Controller supports simultaneous LE and BR/EDR links to the same remote device.</p> <p>The local Host uses this feature bit to determine whether the Controller is capable of supporting simultaneous LE and BR/EDR connections to a remote device.</p> <p>A remote device does not use this feature bit.</p>
Slot Availability Mask	This feature indicates whether the device is able to support Slot Availability Mask using the LMP sequences as defined in Section 4.1.15 .
Slot offset	This feature indicates whether the LM supports the transfer of the slot offset using the sequence defined in Section 4.4.1 .
Sniff mode	This feature indicates whether the device is able to support Sniff mode as defined in [Vol 2] Part B, Section 8.7 using the LMP sequences defined in Section 4.5.3 .
Sniff subrating	This feature indicates whether the device is able to support sniff subrating as defined in [Vol 2] Part B, Section 8.7.2 using the LMP sequences as defined in Section 4.5.3.3 .
Synchronization Scan	This feature indicates whether the device supports Synchronization Scan as Peripheral.
Synchronization Train	This feature indicates whether the device supports Synchronization Train as Central.
Timing accuracy	This feature indicates whether the LM supports requests for timing accuracy using the sequence defined in Section 4.3.1 .
Train nudging	<p>This feature indicates whether the device is able to support the train nudging mechanism described in [Vol 2] Part B, Section 8.3.2 and Section 8.4.2.</p> <p>The presence of this feature has only local meaning and does not imply support for any additional LMP PDUs or sequences.</p>
Transparent synchronous data	This feature indicates whether the device is capable of supporting transparent synchronous data as defined in [Vol 2] Part B, Section 6.4.3 on the SCO and eSCO logical transports.
Variable Inquiry TX Power Level	This feature indicates whether the device is capable of setting the TX power level for Inquiry.

Table 3.1: Feature definitions (Sheet 6 of 6)

3.3 FEATURE MASK DEFINITION

The features are represented as a bit mask when they are transferred in LMP messages. For each feature a single bit is specified which shall be set to 1 if the feature is supported and set to 0 otherwise. The single exception is the flow control lag which is coded as a 3 bit field with the least significant bit in byte 2 bit 4 and the most significant bit in byte 2 bit 6. All unassigned feature bits are reserved for future use.



No.	Supported feature	Byte	Bit
0	3 slot packets	0	0
1	5 slot packets	0	1
2	Encryption	0	2
3	Slot offset	0	3
4	Timing accuracy	0	4
5	Role switch	0	5
6	Hold mode	0	6
7	Sniff mode	0	7
8	Previously used	1	0
9	Power control requests	1	1
10	Channel quality driven data rate (CQDDR)	1	2
11	SCO link	1	3
12	HV2 packets	1	4
13	HV3 packets	1	5
14	μ -law log synchronous data	1	6
15	A-law log synchronous data	1	7
16	CVSD synchronous data	2	0
17	Paging parameter negotiation	2	1
18	Power control	2	2
19	Transparent synchronous data	2	3
20	Flow control lag (least significant bit)	2	4
21	Flow control lag (middle bit)	2	5
22	Flow control lag (most significant bit)	2	6
23	Broadcast Encryption	2	7
24	Reserved for future use	3	0
25	Enhanced Data Rate ACL 2 Mb/s mode	3	1
26	Enhanced Data Rate ACL 3 Mb/s mode	3	2
27	Enhanced inquiry scan (see note)	3	3
28	Interlaced inquiry scan	3	4
29	Interlaced page scan	3	5
30	RSSI with inquiry results	3	6
31	Extended SCO link (EV3 packets)	3	7

Table 3.2: Feature mask page 0 definitions (Sheet 1 of 3)



No.	Supported feature	Byte	Bit
32	EV4 packets	4	0
33	EV5 packets	4	1
34	Reserved for future use	4	2
35	AFH capable Peripheral	4	3
36	AFH classification Peripheral	4	4
37	BR/EDR Not Supported	4	5
38	LE Supported (Controller)	4	6
39	3-slot Enhanced Data Rate ACL packets	4	7
40	5-slot Enhanced Data Rate ACL packets	5	0
41	Sniff subrating	5	1
42	Pause encryption	5	2
43	AFH capable Central	5	3
44	AFH classification Central	5	4
45	Enhanced Data Rate eSCO 2 Mb/s mode	5	5
46	Enhanced Data Rate eSCO 3 Mb/s mode	5	6
47	3-slot Enhanced Data Rate eSCO packets	5	7
48	Extended Inquiry Response	6	0
49	Simultaneous LE and BR/EDR to Same Device Capable (Controller)	6	1
50	Reserved for future use	6	2
51	Secure Simple Pairing (Controller Support)	6	3
52	Encapsulated PDU	6	4
53	Erroneous Data Reporting	6	5
54	Non-flushable Packet Boundary Flag	6	6
55	Reserved for future use	6	7
56	HCI_Link_Supervision_Timeout_Changed event	7	0
57	Variable Inquiry TX Power Level	7	1
58	Enhanced Power Control	7	2
59	Reserved for future use	7	3
60	Reserved for future use	7	4
61	Reserved for future use	7	5

Table 3.2: Feature mask page 0 definitions (Sheet 2 of 3)



No.	Supported feature	Byte	Bit
62	Reserved for future use	7	6
63	Extended features	7	7

Table 3.2: Feature mask page 0 definitions (Sheet 3 of 3)

No.	Supported Feature	Byte	Bit
64	Secure Simple Pairing (Host Support)	0	0
65	LE Supported (Host)	0	1
66	Previously used	0	2
67	Secure Connections (Host Support)	0	3

Table 3.3: Feature mask page 1 definitions

No.	Supported Feature	Byte	Bit
128	Connectionless Peripheral Broadcast – Transmitter Operation	0	0
129	Connectionless Peripheral Broadcast – Receiver Operation	0	1
130	Synchronization Train	0	2
131	Synchronization Scan	0	3
132	HCI_Inquiry_Response_Notification event	0	4
133	Generalized interlaced scan	0	5
134	Coarse Clock Adjustment	0	6
135	Reserved for future use	0	7
136	Secure Connections (Controller Support)	1	0
137	Ping	1	1
138	Slot Availability Mask	1	2
139	Train nudging	1	3

Table 3.4: Feature mask page 2 definitions

Note: Feature bit 27 (“Enhanced Inquiry Scan”) is no longer used in the specification. Devices may set this bit but are not required to.

3.4 LINK MANAGER INTEROPERABILITY POLICY

Link managers of any version shall interpret using the lowest common subset of functionality by reading the LMP features mask (defined in [Table 3.2](#)).



An optional LMP PDU shall only be sent to a device if the corresponding feature bit is set in its feature mask. The exception to this are certain PDUs (see [Section 4.1.1](#)) which can be sent before the features mask is requested.

Note: A higher version device with a restricted feature set is indistinguishable from a lower version device with the same features.

3.5 FEATURE REQUIREMENTS

Note: In the tables in this section, numbers in parentheses before feature names are the corresponding feature bit numbers (see [Section 3.3](#)).

Any device supporting any feature with a feature bit number greater than or equal to 64 shall support Extended features and shall set feature bit 63.

3.5.1 Devices supporting BR/EDR

This section applies to devices supporting BR/EDR.

The features listed in [Table 3.5](#) are mandatory in this version of the specification (see [Section 3.1](#)) and these feature bits shall be set.

Feature
(2) Encryption
(51) Secure Simple Pairing (Controller Support)
(52) Encapsulated PDU

Table 3.5: Mandatory features

The features listed in [Table 3.6](#) are forbidden in this version of the specification and these feature bits shall not be set.

Feature
(37) BR/EDR Not Supported

Table 3.6: Forbidden features

For each row of [Table 3.7](#), either every feature named in that row shall be supported or none of the features named in that row shall be supported.

Features	
(7) Sniff mode	(41) Sniff subrating

Table 3.7: Mutually supporting features



For each row of [Table 3.8](#), not more than one feature in that row shall be supported.

Features	
(23) Broadcast encryption	(134) Coarse clock adjustment

Table 3.8: Mutually exclusive features

For each row of [Table 3.9](#), if the feature named in the first column is supported then the feature named in the second column shall be supported.

Feature	Required feature
(5) Role switch	(3) Slot offset
(12) HV2 packets	(11) SCO link
(13) HV3 packets	(11) SCO link
(14) μ -law log synchronous data	(11) SCO link <i>or</i> (31) Extended SCO link (EV3 packets)
(15) A-law log synchronous data	(11) SCO link <i>or</i> (31) Extended SCO link (EV3 packets)
(16) CVSD log synchronous data	(11) SCO link <i>or</i> (31) Extended SCO link (EV3 packets)
(19) Transparent synchronous data	(11) SCO link <i>or</i> (31) Extended SCO link (EV3 packets)
(26) Enhanced Data Rate ACL 3 Mb/s mode	(25) Enhanced Data Rate ACL 2 Mb/s mode
(32) EV4 packets	(31) Extended SCO link (EV3 packets)
(33) EV5 packets	(31) Extended SCO link (EV3 packets)
(36) AFH classification Peripheral	(35) AFH capable Peripheral
(39) 3-slot Enhanced Data Rate ACL packets	(25) Enhanced Data Rate ACL 2 Mb/s mode
(40) 5-slot Enhanced Data Rate ACL packets	(25) Enhanced Data Rate ACL 2 Mb/s mode
(44) AFH classification Central	(43) AFH capable Central
(45) Enhanced Data Rate eSCO 2 Mb/s mode	(31) Extended SCO link (EV3 packets)
(46) Enhanced Data Rate eSCO 3 Mb/s mode	(45) Enhanced Data Rate eSCO 2 Mb/s mode
(47) 3-slot Enhanced Data Rate eSCO packets	(45) Enhanced Data Rate eSCO 2 Mb/s mode
(48) Extended inquiry response	(30) RSSI with inquiry results

Table 3.9: Features that require other features (Sheet 1 of 2)



Feature	Required feature
(49) Simultaneous LE and BR/EDR to Same Device Capable (Controller)	(38) LE Supported (Controller)
(53) Erroneous data reporting	(11) SCO link or (31) Extended SCO link (EV3 packets)
(58) Enhanced power control	(9) Power control requests <i>and</i> (18) Power control
(65) LE Supported (Host)	(38) LE Supported (Controller)
(67) Secure Connections (Host Support)	(64) Secure Simple Pairing (Host Support) <i>and</i> (136) Secure Connections (Controller Support)
(128) Connectionless Peripheral Broadcast – Transmitter Operation	(130) Synchronization Train
(129) Connectionless Peripheral Broadcast – Receiver Operation	(131) Synchronization Scan
(133) Generalized interlaced scan	(28) Interlaced inquiry scan <i>or</i> (29) Interlaced page scan
(134) Coarse clock adjustment	(35) AFH capable Peripheral <i>and</i> (43) AFH capable Central <i>and</i> (130) Synchronization Train <i>and</i> (131) Synchronization Scan
(136) Secure Connections (Controller Support)	(42) Pause encryption <i>and</i> (137) Ping

Table 3.9: Features that require other features (Sheet 2 of 2)

3.5.2 Devices not supporting BR/EDR

This section applies to devices not supporting BR/EDR.

The features listed in [Table 3.10](#) are mandatory (so those feature bits shall be set).

Feature
(37) BR/EDR Not Supported
(38) LE Supported (Controller)

Table 3.10: Mandatory features



The features listed in [Table 3.11](#) are optional and the feature bits may be set.

Feature
(63) Extended features
(65) LE Supported (Host)

Table 3.11: Optional features

No other feature shall be supported and no other feature bit shall be set.

4 PROCEDURE RULES

4.1 CONNECTION CONTROL

4.1.1 Connection establishment

After the paging procedure, LMP procedures for clock offset request, LMP version, supported features, name request and detach may then be initiated.

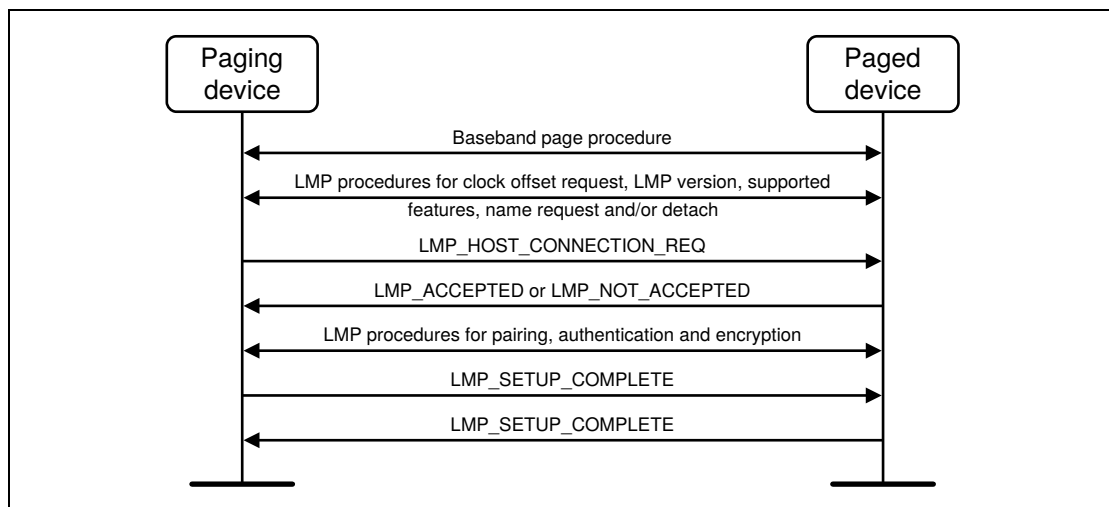


Figure 4.1: Connection establishment

When the paging device wishes to create a connection involving layers above LM, it sends an LMP_HOST_CONNECTION_REQ PDU. When the other side receives this message, the Host is informed about the incoming connection. The remote device can accept or reject the connection request by sending an LMP_ACCEPTED PDU or an LMP_NOT_ACCEPTED PDU. Alternatively, if the Peripheral needs a role switch, see [Section 4.4.2](#), it sends an LMP_SLOT_OFFSET PDU and LMP_SWITCH_REQ PDU after it has received an LMP_HOST_CONNECTION_REQ PDU. If the role switch fails the LM shall continue with the creation of the connection unless this cannot be supported due to limited resources in which case the connection shall be terminated with an LMP_DETACH PDU with Error_Code *Remote Device Terminated Connection due to Low Resources* (0x14). When the role switch has been successfully completed, the old Peripheral will reply with an LMP_ACCEPTED PDU or an LMP_NOT_ACCEPTED PDU to the LMP_HOST_CONNECTION_REQ PDU (with the transaction ID set to 0).

If the paging device receives an LMP_NOT_ACCEPTED PDU in response to LMP_HOST_CONNECTION_REQ it shall immediately disconnect the link using the mechanism described in [Section 4.1.2](#).

If the LMP_HOST_CONNECTION_REQ PDU is accepted, LMP security procedures (pairing, authentication and encryption) may be invoked. When a



device is not going to initiate any more security procedures during connection establishment it sends an LMP_SETUP_COMPLETE PDU. When both devices have sent LMP_SETUP_COMPLETE PDUs the traffic can be transferred on the BR/EDR ACL logical transport.

M/O	PDU	Contents
M	LMP_HOST_CONNECTION_REQ	none
M	LMP_SETUP_COMPLETE	none

Table 4.1: Connection establishment PDU

4.1.2 Detach

The connection between two Bluetooth devices may be detached anytime by the Central or the Peripheral. An Error_Code parameter is included in the message to inform the other party of why the connection is detached.

M/O	PDU	Contents
M	LMP_DETACH	Error_Code

Table 4.2: Detach PDU

The initiating LM shall pause traffic on the ACL-U logical link (see [Vol 2] Part B, Section 5.3.1). The initiating LM then queues the LMP_DETACH for transmission and it shall start a timer for $6 \cdot T_{poll}$ slots where T_{poll} is the poll interval for the connection. If the initiating LM receives the Baseband acknowledgment before the timer expires it starts a timer for $3 \cdot T_{poll}$ slots. When this timer expires, and if the initiating LM is the Central, the LT_ADDR(s) may be re-used immediately. If the initial timer expires then the initiating LM drops the link and starts a timer for $T_{link\supervision\timeout}$ slots after which the LT_ADDR(s) may be re-used if the initiating LM is the Central.

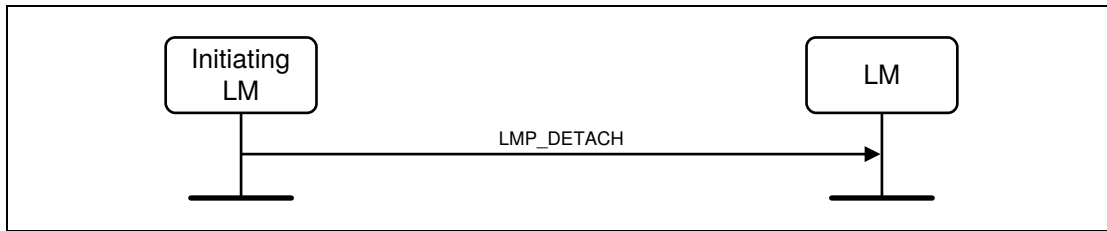
When the receiving LM receives the LMP_DETACH, it shall start a timer for $6 \cdot T_{poll}$ slots if it is the Central and $3 \cdot T_{poll}$ if it is the Peripheral. On timer expiration, the link shall be detached and, if the receiving LM is the Central, the LT_ADDR(s) may be re-used immediately. If the receiver never receives the LMP_DETACH then a link supervision timeout will occur, the link will be detached, and the LT_ADDR may be re-used immediately.

If at any time during this or any other LMP sequence the Link supervision timeout expires then the link shall be terminated immediately and the LT_ADDR(S) may be re-used immediately.

If the connection is in Hold mode, the initiating LM shall wait for Hold mode to end before initiating the procedure defined above. If the connection is in Sniff mode, the initiating LM shall perform the procedure to exit Sniff mode before initiating the procedure defined above. If the procedure to exit Sniff mode does



not complete within the LMP response timeout (30 seconds) the procedure defined above shall be initiated anyway.



Sequence 1: Connection closed by sending LMP_DETACH

If there are any SCO or eSCO connections open on the same physical link, sending or receiving the LMP_DETACH PDU implicitly removes them and the initiating LM should not send separate PDUs for this purpose when detaching.

4.1.3 Power control

If the received signal characteristics differ too much from the preferred value of a Bluetooth device, it may request an increase or a decrease of the other device's transmit power level. A device's transmit power level is a property of the physical link, and affects all logical transports carried over the physical link. Power control requests carried over the default ACL-C logical link shall only affect the physical link associated with the requesting device's default ACL-C logical link; they shall not affect the power level used on the physical links to other Peripherals.

Two power control mechanisms are specified: legacy power control (see [Table 4.3](#)) and enhanced power control (see [Table 4.4](#) and [Section 4.1.3.1](#)).

M/O	PDU	Contents
O(9)	LMP_INCR_POWER_REQ	Reserved
O(9)	LMP_DECR_POWER_REQ	Reserved
O(18)	LMP_MAX_POWER	none
O(18)	LMP_MIN_POWER	none

Table 4.3: Legacy power control PDU

M/O	PDU	Contents
O(58)	LMP_POWER_CONTROL_REQ	Power_Adj_Req
O(58)	LMP_POWER_CONTROL_RES	Power_Adj_Rsp

Table 4.4: Enhanced power control PDU

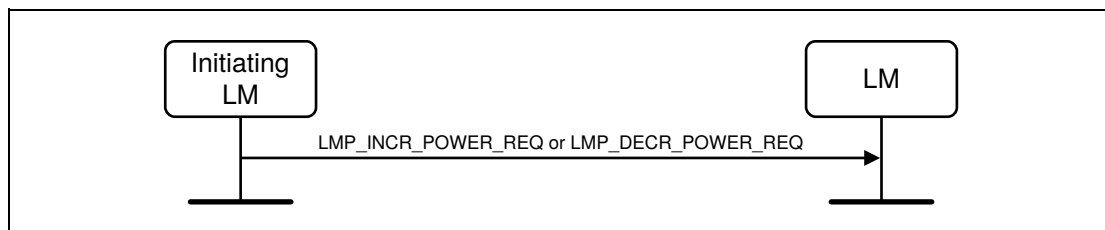
The power adjustment requests may be made at any time using the legacy power control mechanism following a successful Baseband Paging procedure and before the link manager supported features responses have been



processed. After the Link Manager supported features responses have been processed, if both devices support enhanced power control (see [Section 4.1.3.1](#)) then only enhanced power control shall be used. Otherwise, if either device supports only the legacy power control mechanism then only legacy power control shall be used.

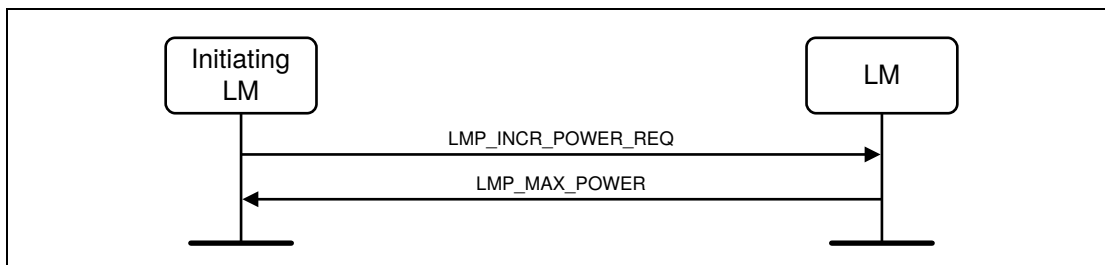
If a device does not support power control requests this is indicated in the supported features list and thus no power control requests shall be sent after the supported features response has been processed. Prior to this time, a power control adjustment might be sent and if the recipient does not support power control it is allowed to send LMP_MAX_POWER in response to LMP_INCR_POWER_REQ and LMP_MIN_POWER in response to LMP_DECR_POWER_REQ. Another possibility is to send LMP_NOT_ACCEPTED with the Error_Code *Unsupported LMP Feature* (0x1A).

Upon receipt of an LMP_INCR_POWER_REQ PDU or LMP_DECR_POWER_REQ PDU the output power shall be increased or decreased one step. See [\[Vol 2\] Part A, Section 3](#) for the definition of the step size.

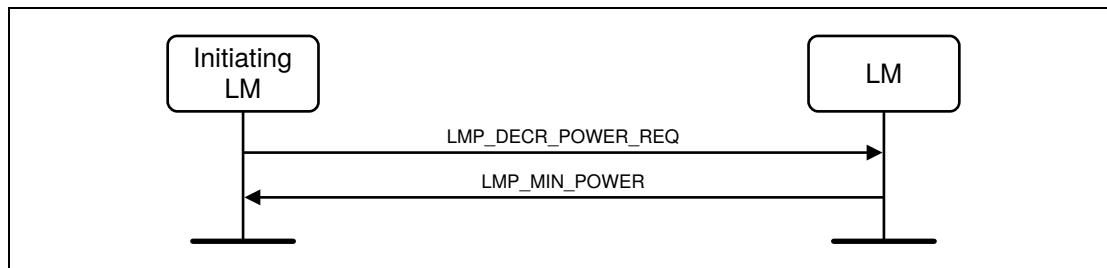


Sequence 2: A device requests a change of the other device's TX power

If the receiver of LMP_INCR_POWER_REQ is at maximum power LMP_MAX_POWER shall be returned. The device shall only request an increase again after having requested a decrease at least once. If the receiver of LMP_DECR_POWER_REQ is at minimum power then LMP_MIN_POWER shall be returned and the device shall only request a decrease after having requested an increase at least once.



Sequence 3: The TX power cannot be increased



Sequence 4: The TX power cannot be decreased

One byte in LMP_INCR/DECR_POWER_REQ is reserved for future use.

4.1.3.1 Enhanced power control

Enhanced power control shall only be used when both devices support the enhanced power control LMP feature. Legacy power control shall not be used when both devices support the enhanced power control LMP feature.

4.1.3.1.1 Sending enhanced power control requests

To adjust the remote device's output power, a device shall send the LMP_POWER_CONTROL_REQ PDU with the Power_Adj_Req parameter.

The Power_Adj_Req parameter may be set to: one step up, one step down, or all the way to the max power level. The remote device shall respond with an LMP_POWER_CONTROL_RES PDU. The responder shall transmit the LMP_POWER_CONTROL_RES PDU at the new power level. Upon reception of the LMP_POWER_CONTROL_RES PDU, the initiating device should restart any processes used to determine whether additional power level changes are required.

If the receiver of the LMP_POWER_CONTROL_REQ PDU has indicated that the output power levels for all of the supported modulation modes are at maximum the requesting device shall only request an increase again after having requested a decrease at least once. If the receiver of the LMP_POWER_CONTROL_REQ PDU has indicated that the output power levels for all of the supported modulation modes are at minimum the requesting device shall only request a decrease after having requested an increase at least once.

A new LMP_POWER_CONTROL_REQ PDU shall not be sent until an LMP_POWER_CONTROL_RES PDU has been received.

4.1.3.1.2 Responding to enhanced power control requests

When a device receives an LMP_POWER_CONTROL_REQ PDU with the Power_Adj_Req parameter set to "increment one step," all supported modulations that are not at the maximum level shall be increased one step.



When a device receives an LMP_POWER_CONTROL_REQ PDU with the Power_Adj_Req parameter set to "decrement one step", all supported modulations that are not at the minimum level shall be decreased one step.

Implementations shall not violate the relative power level between modulations (see [Vol 2] Part A, Section 3).

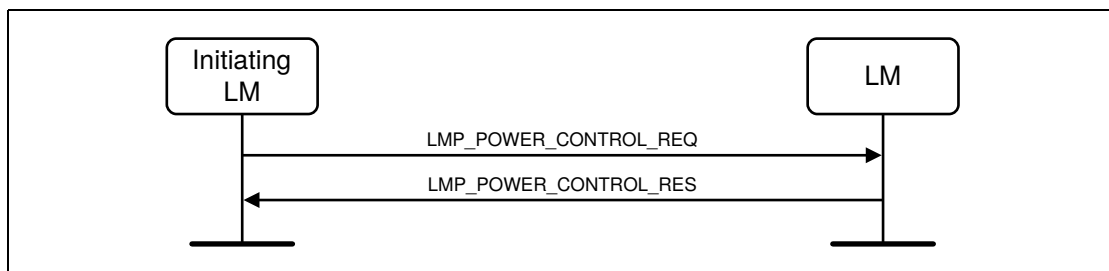
When a device receives an LMP_POWER_CONTROL_REQ PDU with the Power_Adj_Req parameter set to "increment power to maximum value", each supported modulation mode shall be set to its maximum power level.

Note: See [Vol 2] Part A, Section 3 for requirements on the relative power levels of different modulation modes.

The responding LM shall send the LMP_POWER_CONTROL_RES PDU to indicate the status for every modulation. The Power_Adj_Rsp parameter has three 2-bit fields indicating the status for each modulation mode: GFSK, $\pi/4$ -DQPSK and 8DPSK. Each 2-bit field shall be set to one of the following values: *not supported*, *changed one step*, *max power*, or *min power*. The changed one step value shall only be used when the power level for that modulation mode has not reached the minimum or maximum level.

The *not supported* value shall be used for each unsupported modulation type.

The responder shall transmit the LMP_POWER_CONTROL_RES PDU at the new transmit power level and shall not change its power level until requested by the remote device by a subsequent LMP_POWER_CONTROL_REQ PDU.



Sequence 5: A device responds to a power control request

4.1.4 Adaptive frequency hopping

AFH is used to improve the performance of physical links in the presence of interference as well as reducing the interference caused by physical links on other devices in the ISM band. AFH shall only be used during Connection state.

M/O	PDU	Contents
O(35) Rx O(43) Tx	LMP_SET_AFH	AFH_Instant, AFH_Mode, AFH_Channel_Map

Table 4.5: AFH PDU



The LMP_SET_AFH PDU contains three parameters: AFH_Instant, AFH_Mode, and AFH_Channel_Map. The parameter, AFH_Instant, specifies the instant at which the hopset switch shall become effective. This is specified as a Bluetooth Clock value of the Central’s clock, that is available to both devices. The AFH instant is chosen by the Central and shall be an even value at least $6 \cdot T_{poll}$ or 96 slots (whichever is greater) in the future. The AFH_Instant shall be within 12 hours of the current clock value. The parameter AFH_Mode, specifies whether AFH shall be enabled or disabled. The parameter AFH_Channel_Map, specifies the set of channels that shall be used if AFH is enabled.

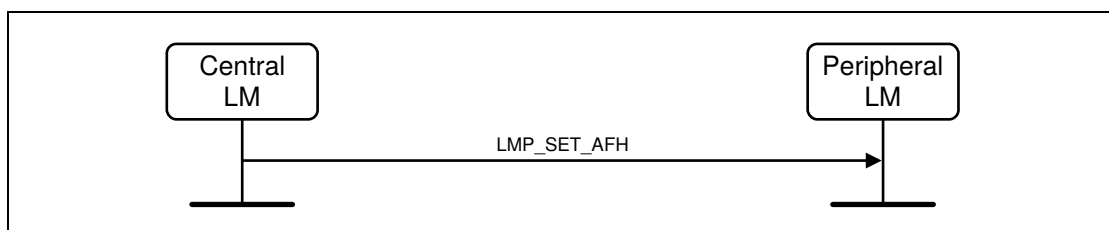
When the LMP_SET_AFH PDU is received the AFH instant shall be compared with the current Bluetooth clock value. If it is in the past then the AFH_Instant has passed and the Peripheral shall immediately configure the hop selection kernel (see [Vol 2] Part B, Section 2.6.3) with the new AFH_Mode and AFH_Channel_Map specified in the LMP_SET_AFH PDU. If it is in the future then a timer shall be started to expire at the AFH instant. When this timer expires it shall configure the hop selection kernel with the new AFH_Mode and AFH_Channel_Map.

The Central shall not send a new LMP_SET_AFH PDU to a Peripheral until it has received the Baseband acknowledgment for any previous LMP_SET_AFH addressed to that Peripheral and the instant has passed.

Role switch while AFH is enabled shall follow the procedures define by [Vol 2] Part B, Section 8.6.5.

4.1.4.1 Central enables AFH

Prior to enabling AFH the Central LM shall pause traffic on the ACL-U logical link (see [Vol 2] Part B, Section 5.3.1). The Central shall then enable AFH on a physical link by sending the LMP_SET_AFH PDU with AFH_Mode set to enabled, the AFH_Channel_Map parameter containing the set of used and unused channels, and an AFH_instant. The LM shall not calculate the AFH instant until after traffic on the ACL-U logical link has been stopped. The Central considers the physical link to be enabled once the Baseband acknowledgment has been received and the AFH_Instant has passed. Once the Baseband acknowledgment has been received the Central shall restart transmission on the ACL-U logical link.

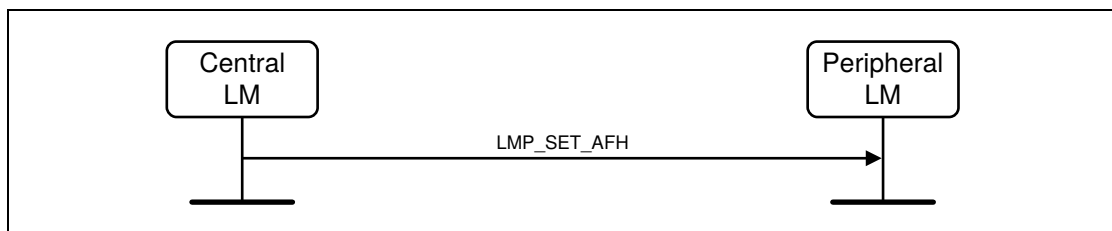


Sequence 6: Central enables AFH



4.1.4.2 Central disables AFH

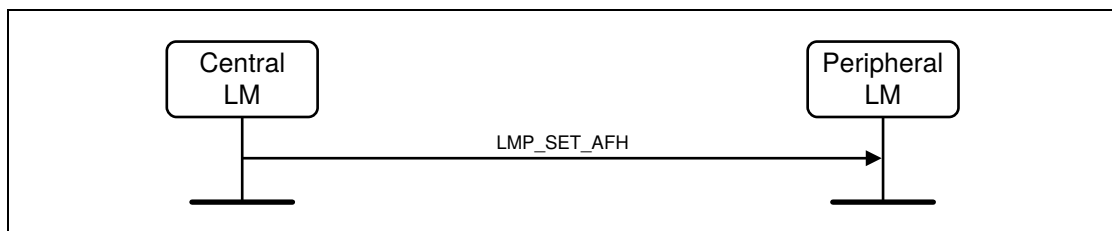
Prior to disabling AFH the Central LM shall pause traffic on the ACL-U logical link ([Vol 2] Part B, Section 5.3.1). The Central shall then disable AFH operation on a physical link by sending the LMP_SET_AFH PDU with AFH_mode set to disabled and an AFH_Instant. The AFH_Channel_Map parameter is not valid when AFH_Mode is disabled. The LM shall not calculate the AFH instant until after traffic on the ACL-U logical link has been stopped. The Central considers the physical link to have entered AFH-disabled operation once the Baseband acknowledgment has been received and the AFH_Instant has passed. Once the Baseband acknowledgment has been received the Central shall restart transmission on the ACL-U logical link.



Sequence 7: Central disables AFH

4.1.4.3 Central updates AFH

A Central shall update the AFH parameters on a physical link by sending the LMP_SET_AFH PDU with AFH_Mode set to enabled, an AFH_Instant and a new AFH_Channel_Map. The Central shall consider the Peripheral to have the updated AFH parameters once the Baseband acknowledgment has been received and the AFH_Instant has passed.



Sequence 8: Central updates AFH

4.1.4.4 AFH operation in Hold and Sniff modes

A Peripheral in Hold mode or Sniff mode shall retain the AFH_Mode and AFH_Channel_Map it was using prior to entering those modes. A Central may change the AFH_Mode while a Peripheral is in Sniff mode.

A Central that receives a request from an AFH-enabled Peripheral to enter Hold mode or Sniff mode and decides to operate the Peripheral using a different hop sequence shall respond with an LMP_SET_AFH PDU specifying the new hop sequence.



The Central continues with the LMP signaling, for Hold or Sniff initiation, once the Baseband acknowledgment for the LMP_SET_AFH PDU has been received. Optionally, the Central may delay the continuation of this LMP signaling until after the instant. An AFH capable Peripheral shall support both of these cases.

A Central that receives a request from an AFH-enabled Peripheral to enter Hold mode or Sniff mode and decides not to change the Peripheral's hop sequence shall respond exactly as it would do without AFH. In this case, AFH operation has no effect on the LMP signaling.

4.1.5 Channel classification

A Central may request channel classification information from a Peripheral that is AFH-enabled.

A Peripheral that supports the AFH_classification_Peripheral feature shall perform channel classification and reporting according to its AFH_reporting_mode. The Central shall control the AFH_reporting_mode using the LMP_CHANNEL_CLASSIFICATION_REQ PDU. The Peripheral shall report its channel classification using the LMP_CHANNEL_CLASSIFICATION PDU.

The Peripheral shall report pairs of channels as *good*, *bad* or *unknown*. See [Table 5.2](#) for the detailed format of the AFH_Channel_Classification parameter. When one channel in the n^{th} channel pair is good and the other channel is unknown the n^{th} channel pair shall be reported as good. When one channel in the n^{th} channel pair is bad and the other is unknown the n^{th} channel pair shall be reported as bad. It is implementation dependent what to report when one channel in a channel pair is good and the other is bad.

M/O	PDU	Contents
O(36) Rx O(44) Tx	LMP_CHANNEL_CLASSIFICATION_REQ	AFH_Reporting_Mode, AFH_Min_Interval, AFH_Max_Interval
O(36) Tx O(44) Rx	LMP_CHANNEL_CLASSIFICATION	AFH_Channel_Classification

Table 4.6: Channel classification PDU

The LMP_CHANNEL_CLASSIFICATION_REQ PDU contains three parameters: AFH_Reporting_Mode, AFH_Min_Interval, and AFH_Max_Interval. In the disabled state, the Peripheral shall not generate any channel classification reports. The parameter AFH_min_interval, defines the minimum amount of time from the last LMP_CHANNEL_CLASSIFICATION command that was sent before the next LMP_CHANNEL_CLASSIFICATION PDU may be sent. The parameter AFH_max_interval, defines the maximum amount of time between the change in the channel classification being detected by a Peripheral and its generation of an LMP_CHANNEL_CLASSIFICATION PDU. The AFH_max_interval shall be equal to or larger than AFH_min_interval.



The `AFH_reporting_mode` parameter shall determine if the Peripheral is in the enabled or disabled state. The default state, prior to receipt of any `LMP_CHANNEL_CLASSIFICATION_REQ` PDUs, shall be disabled.

`AFH_reporting_mode` is implicitly set to the disabled state when any of the following occur:

- Establishment of a connection at the Baseband level
- Role switch
- Entry to Hold mode operation

`AFH_reporting_mode` is implicitly restored to its former value when any of the following occur:

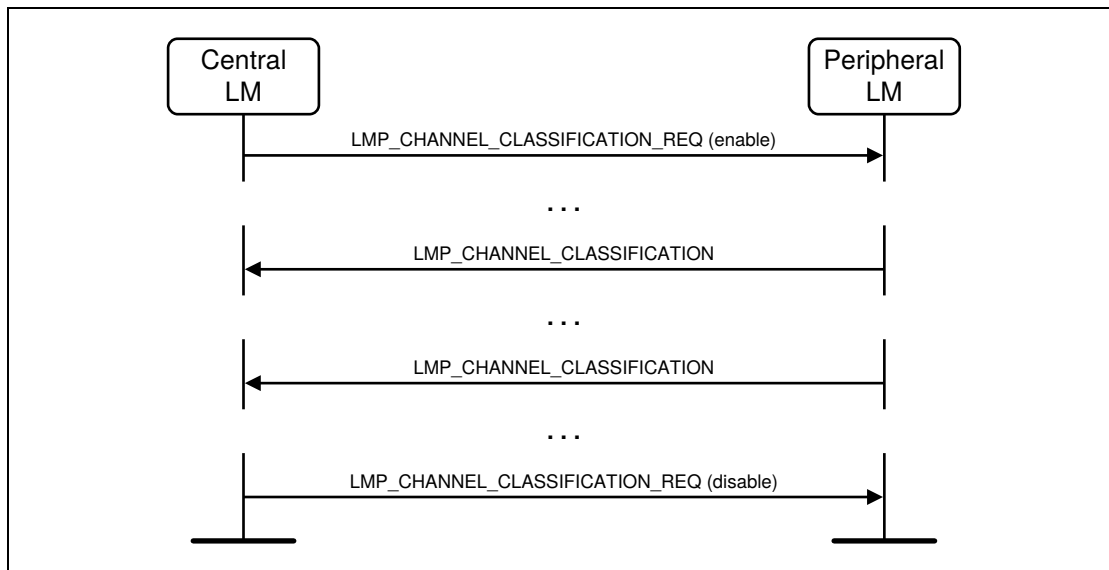
- Exit from Hold mode
- Failure of role switch

4.1.5.1 Channel classification reporting enabling and disabling

A Central enables Peripheral channel classification reporting by sending the `LMP_CHANNEL_CLASSIFICATION_REQ` PDU with the `AFH_reporting_mode` parameter set to enabled.

When a Peripheral has had classification reporting enabled by the Central it shall send the `LMP_CHANNEL_CLASSIFICATION` PDU according to the information in the latest `LMP_CHANNEL_CLASSIFICATION_REQ` PDU. The `LMP_CHANNEL_CLASSIFICATION` PDU shall not be sent if there has been no change in the Peripheral's channel classification.

A Central disables Peripheral channel classification reporting by sending the `LMP_CHANNEL_CLASSIFICATION_REQ` PDU with the `AFH_reporting_mode` parameter set to disabled.



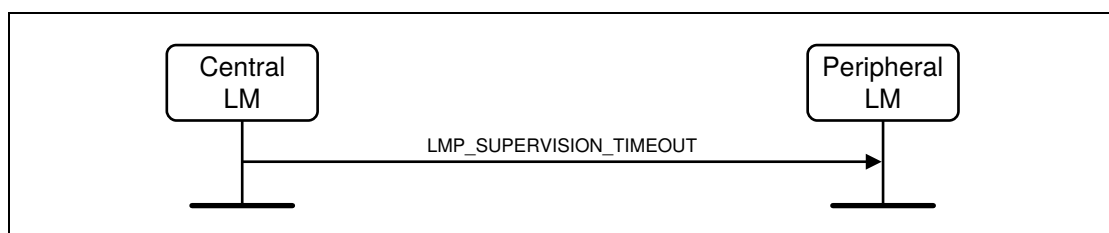
Sequence 9: Channel classification reporting

4.1.6 Link supervision

Each physical link has a timer that is used for link supervision. This timer is used to detect physical link loss caused by devices moving out of range, or being blocked by interference, a device’s power-down, or other similar failure cases. Link supervision is specified in [Vol 2] Part B, Section 3.1.

M/O	PDU	Contents
M	LMP_SUPERVISION_TIMEOUT	Supervision_Timeout

Table 4.7: Set supervision timeout PDU



Sequence 10: Setting the link supervision timeout

4.1.7 Channel quality driven data rate change (CQDDR)

The data throughput for a given packet type depends on the quality of the RF channel. Quality measurements in the receiver of one device can be used to dynamically control the packet type transmitted from the remote device for optimization of the data throughput. Device A sends the LMP_AUTO_RATE PDU once to notify device B to enable this feature. Once enabled, device B may request packet type(s) that A should transmit by sending the LMP_PREFERRED_RATE PDU. This PDU has a parameter which determines



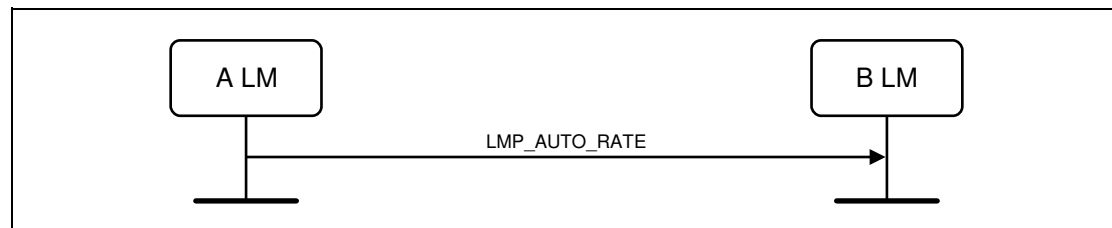
the preferred error coding (with or without 2/3 FEC) and optionally the preferred size in slots of the packets. Device A is not required to change to the packet type specified by this parameter. Device A shall not send a packet that is larger than max slots (see Section 4.1.10) even if the preferred size is greater than this value.

The Data_Rate parameter includes the preferred rate for Basic Rate and Enhanced Data Rate modes. When operating in Basic Rate mode, the device shall use bits 0 to 2 to determine the preferred data rate. When operating in Enhanced Data Rate mode, the device shall use bits 3 to 6 to determine the preferred data rate. For devices that support Enhanced Data Rate, the preferred rates for both Basic Rate and Enhanced Data Rate modes shall be valid at all times.

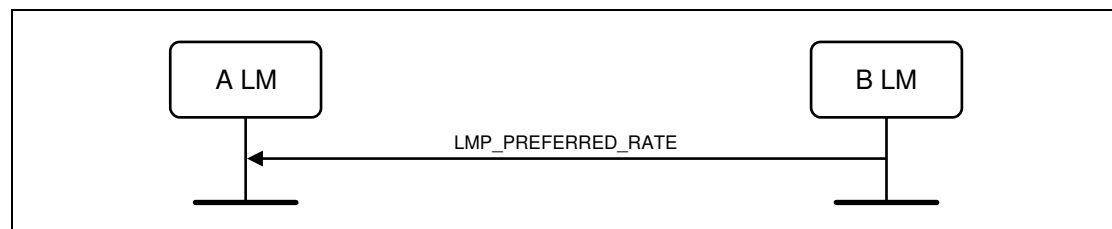
These PDUs may be sent at any time after connection setup is completed.

M/O	PDU	Contents
O(10)	LMP_AUTO_RATE	none
O(10)	LMP_PREFERRED_RATE	Data_Rate

Table 4.8: Quality-driven change of the data rate PDU



Sequence 11: A notifies B to enable CQDDR



Sequence 12: B sends A a preferred packet type

4.1.8 Quality of service (QoS)

The LM provides QoS capabilities. A poll interval, T_{poll} , that is defined as the maximum time between transmissions from the Central to a particular Peripheral on the ACL logical transport, is used to support bandwidth allocation and latency control - see [Vol 2] Part B, Section 8.6.1 for details. The poll interval shall be met in the Active and Sniff modes except when there are collisions with page, page scan, inquiry and inquiry scan, during time critical



LMP sequences in the current piconet and any other piconets in which the Bluetooth device is a member, and during critical Baseband sequences (such as the page response, initial Connection state until the first POLL, and role switch). These PDUs may be sent at any time after connection setup is completed.

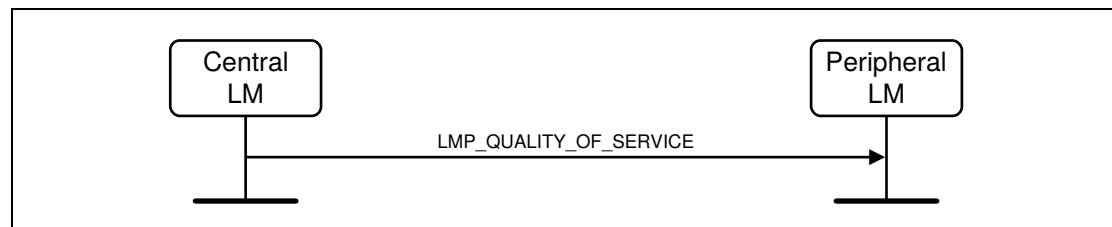
Central and Peripheral negotiate the number of repetitions for broadcast packets (N_{BC}), see [Vol 2] Part B, Section 7.6.5.

M/O	PDU	Contents
M	LMP_QUALITY_OF_SERVICE	Poll_Interval N_{BC}
M	LMP_QUALITY_OF_SERVICE_REQ	Poll_Interval N_{BC}

Table 4.9: Quality of service PDU

4.1.8.1 Central notifies Peripheral of the quality of service

The Central notifies the Peripheral of the new poll interval and N_{BC} by sending the LMP_QUALITY_OF_SERVICE PDU. The Peripheral cannot reject the notification.

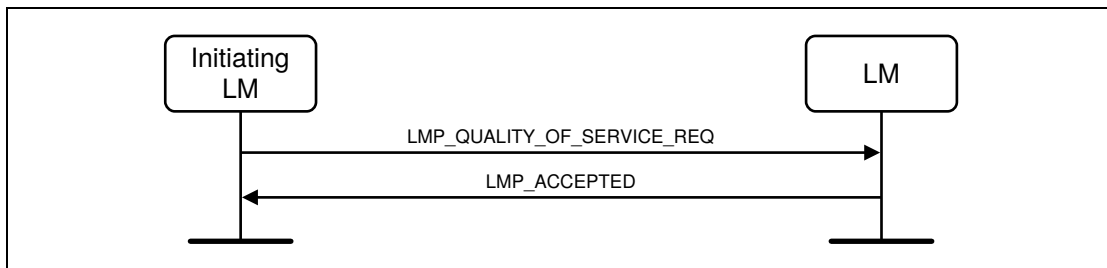


Sequence 13: Central notifies Peripheral of quality of service

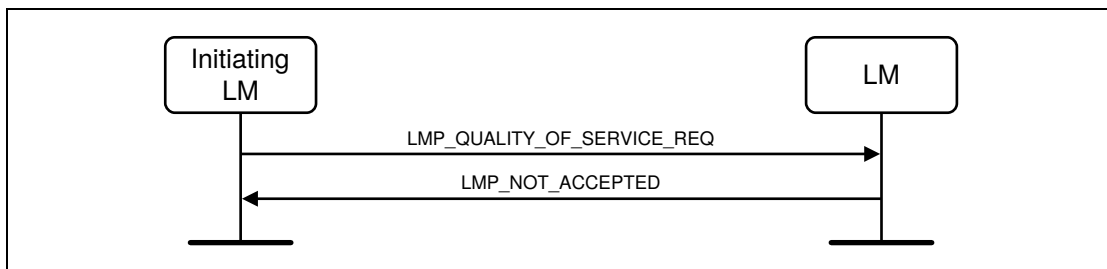
4.1.8.2 Device requests new quality of service

Either the Central or the Peripheral may request a new poll interval and N_{BC} by sending an LMP_QUALITY_OF_SERVICE_REQ PDU. The parameter N_{BC} is meaningful only when it is sent by a Central to a Peripheral. For transmission of LMP_QUALITY_OF_SERVICE_REQ PDUs from a Peripheral, this parameter shall be ignored by the Central. The request can be accepted or rejected. This allows the Central and Peripheral to dynamically negotiate the quality of service as needed.

The selected poll interval by the Peripheral shall be less than or equal to the specified Access Latency for the outgoing traffic of the ACL link (see L2CAP Definition: Quality of Service (QoS) option [Vol 3] Part A, Section 5.3).



Sequence 14: Device accepts new quality of service



Sequence 15: Device rejects new quality of service

4.1.9 Paging scheme parameters

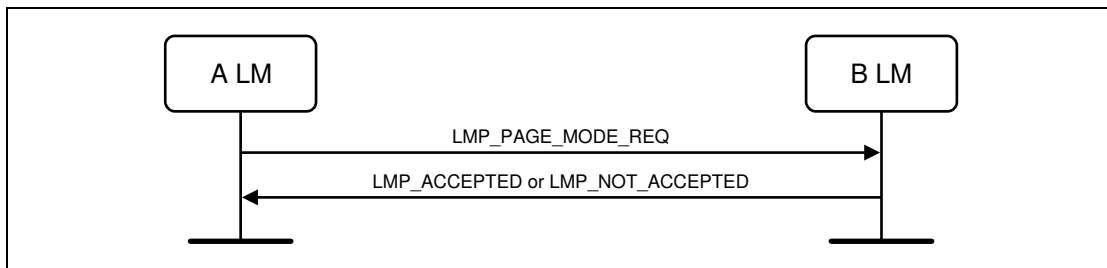
LMP provides a means to negotiate the paging scheme parameters that are used the next time a device is paged.

M/O	PDU	Contents
O(17)	LMP_PAGE_MODE_REQ	Paging_Scheme Paging_Scheme_Settings
O(17)	LMP_PAGE_SCAN_MODE_REQ	Paging_Scheme Paging_Scheme_Settings

Table 4.10: Paging scheme request PDU

4.1.9.1 Page mode

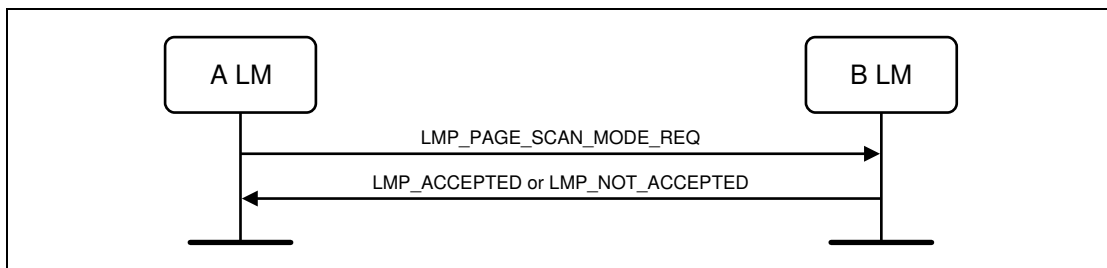
This procedure is initiated from device A and negotiates the paging scheme used when device A pages device B. Device A proposes a paging scheme including the parameters for this scheme and device B can accept or reject. On rejection the old setting shall not be changed. A request to switch to a reserved paging scheme shall be rejected.



Sequence 16: Negotiation for Page mode

4.1.9.2 Page Scan mode

This procedure is initiated from device A and negotiates the paging scheme and paging scheme settings used when device B pages device A. Device A proposes a paging scheme and paging scheme settings and device B may accept or reject. On reject the old setting is not changed. A request specifying the mandatory scheme shall be accepted. A request specifying a non-mandatory scheme shall be rejected. This procedure should be used when device A changes its paging scheme settings. A Peripheral should also send this message to the Central after connection establishment, to inform the Central of the Peripheral's current paging scheme and paging scheme settings.



Sequence 17: Negotiation for Page Scan mode

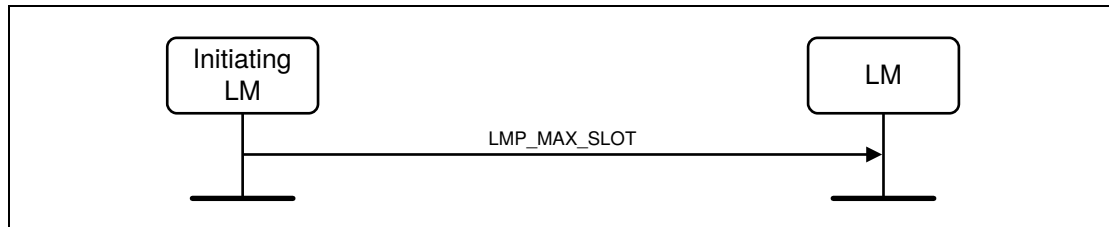
4.1.10 Control of multi-slot packets

The number of consecutive slots used by a device on an ACL-U logical link can be limited. It does not affect traffic on the eSCO links where the packet sizes are defined as part of link setup. A device allows the remote device to use a maximum number of slots by sending the PDU LMP_MAX_SLOT providing a Max_Slots parameter. Each device can request to use a maximal number of slots by sending the PDU LMP_MAX_SLOT_REQ providing a Max_Slots parameter. After a new connection (as a result of page or page scan), or after a role switch, the value shall be 1 slot. These PDUs can be sent at any time after connection setup is completed.

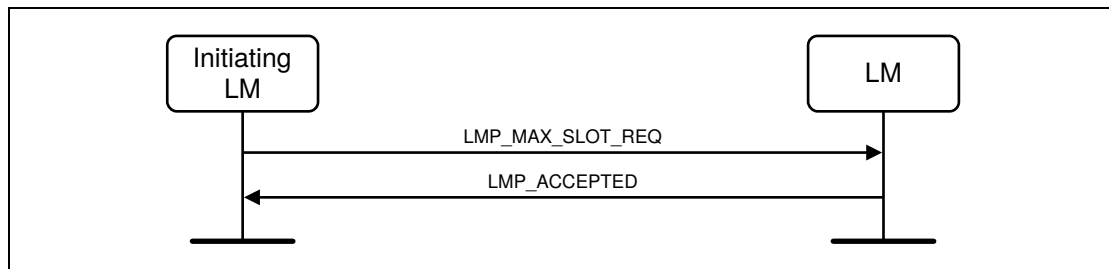


M/O	PDU	Contents
M	LMP_MAX_SLOT	Max_Slots
M	LMP_MAX_SLOT_REQ	Max_Slots

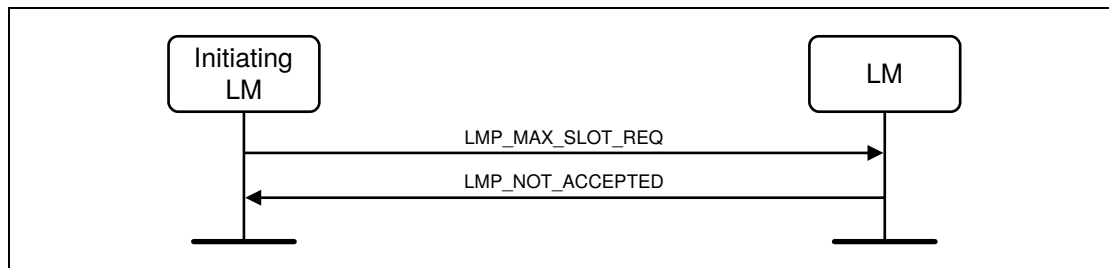
Table 4.11: Multi-slot packet control PDU



Sequence 18: Device allows Remote Device to use a maximum number of slots



Sequence 19: Device requests a maximum number of slots. Remote Device accepts.



Sequence 20: Device requests a maximum number of slots. Remote Device rejects

4.1.11 Enhanced Data Rate

A device may change the packet type table, ptt, to select which if any of the packets and optional modulation modes are to be used on an ACL logical transport.

Either the Central or the Peripheral may request a new packet type table and therefore the packets and modulation mode to be used on this ACL link. After a new Baseband connection, as a result of page or page scan, the default value for ptt shall be 0.



The change of the modulation mode for an ACL logical transport shall not affect the packet and packet types used for an associated SCO logical transport on the same LT_ADDR.

Note: Enhanced Data Rate eSCO links are negotiated using the LMP eSCO link_req as described in [Section 4.6.2](#).

Before changing the packet type table, the initiator shall finalize the transmission of the current ACL packet with ACL-U information and shall stop ACL-U transmissions. It shall then send the LMP_PACKET_TYPE_TABLE_REQ PDU.

If the receiver rejects the change, then it shall respond with an LMP_NOT_ACCEPTED_EXT PDU.

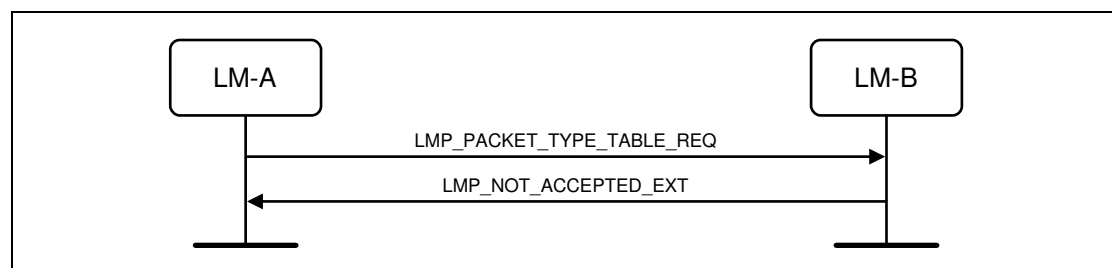
If the receiver accepts the change, then it shall finalize the transmission of the current ACL packet with ACL-U information and shall stop ACL-U transmissions, it shall change to the new packet type table and shall respond with an LMP_ACCEPTED_EXT PDU. When it receives the Baseband acknowledgment for the LMP_ACCEPTED_EXT PDU it shall restart ACL-U transmissions.

When the initiator receives an LMP_NOT_ACCEPTED_EXT PDU the initiator shall restart ACL-U transmissions.

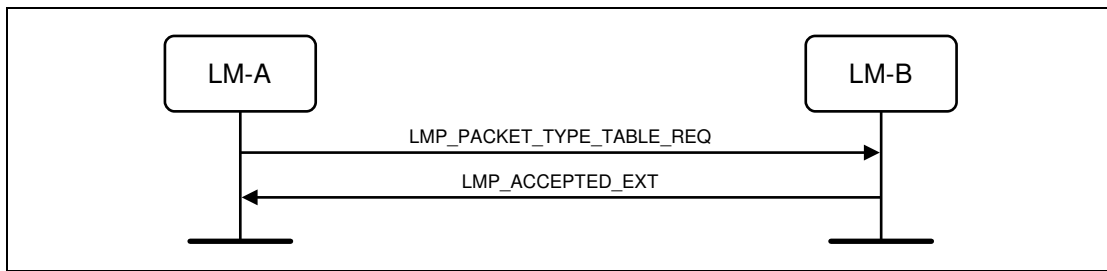
When the initiator receives an LMP_ACCEPTED_EXT PDU it shall change the packet type table and restart ACL-U transmissions.

M/O	PDU	Contents
O(25)	LMP_PACKET_TYPE_TABLE_REQ	Packet_Type_Table

Table 4.12: Enhanced Data Rate PDUs



Sequence 21: Packet type table change is rejected



Sequence 22: Packet type table change is accepted

4.1.12 Encapsulated LMP PDUs

Some transactions require sending LMP payload data that is longer than 16 octets. To enable a link manager to send a large PDU, an encapsulated LMP PDU is defined. An encapsulated LMP PDU is composed of a minimum of two LMP messages, a header PDU and one or more payload PDUs.

M/O	PDU	Contents
O(52)	LMP_ENCAPSULATED_HEADER	Encap_Major_Type Encap_Minor_Type Encap_Payload_Length
O(52)	LMP_ENCAPSULATED_PAYLOAD	Encap_Data

Table 4.13: Encapsulated LMP PDUs

4.1.12.1 Sending an encapsulated PDU

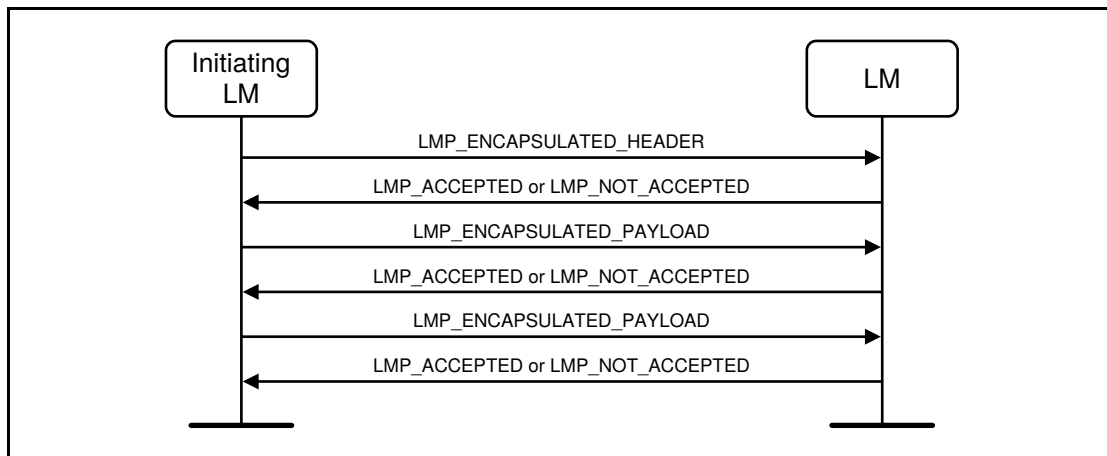
The LMP_ENCAPSULATED_HEADER PDU shall be sent by the initiating device when it needs to send an encapsulated PDU. This PDU shall be either accepted or rejected using the LMP_ACCEPTED or LMP_NOT_ACCEPTED PDUs. If the major and minor types are not supported the PDU shall be rejected with Error_Code *Unsupported LMP Parameter Value* (0x20). If the LMP_ENCAPSULATED_HEADER PDU is accepted, then one or more LMP_ENCAPSULATED_PAYLOAD PDUs will be sent with the encapsulated data sent in sequence, 16 octets at a time, or if this is last packet, the correct number of octets and then zero padded.

Each LMP_ENCAPSULATED_PAYLOAD PDU shall be accepted or rejected. If the LMP_ENCAPSULATED_HEADER PDU is rejected, then the opcode in the LMP_NOT_ACCEPTED PDU shall be the opcode for the LMP_ENCAPSULATED_HEADER and not the Encap_Major_Type or Encap_Minor_Type. If the LMP_ENCAPSULATED_PAYLOAD PDU is rejected, then the opcode in the LMP_NOT_ACCEPTED PDU shall be the opcode for the LMP_ENCAPSULATED_PAYLOAD.

A responding device may reject the final LMP_ENCAPSULATED_PAYLOAD PDU after accepting the LMP_ENCAPSULATED_HEADER PDU. This is so



that the link manager can still reject an encapsulated message after all the data has been received.



Sequence 23: Sending an encapsulated PDU

Between sending an LMP_ENCAPSULATED_HEADER PDU and an LMP_ENCAPSULATED_PAYLOAD PDU, or between each of the LMP_ENCAPSULATED_PAYLOAD PDUs, either device shall be able to send the following LMP PDUs without causing a "different transaction collision" error.

- LMP_CHANNEL_CLASSIFICATION
- LMP_DECR_POWER_REQ
- LMP_DETACH
- LMP_INCR_POWER_REQ
- LMP_MAX_POWER
- LMP_MAX_SLOT
- LMP_MIN_POWER
- LMP_PREFERRED_RATE
- LMP_SET_AFH

4.1.13 Ping

When both devices support the Ping feature, a Link Manager may verify the presence of the remote Link Manager by using the LMP ping mechanism. The LMP ping mechanism may also be used to verify message integrity on the ACL logical transport by forcing the remote device to send an ACL packet that contains a MIC.

Note: Since the LMP_PING_RES PDU contains a MIC and will update the packet counter, the sender of the LMP_PING_REQ PDU can verify that

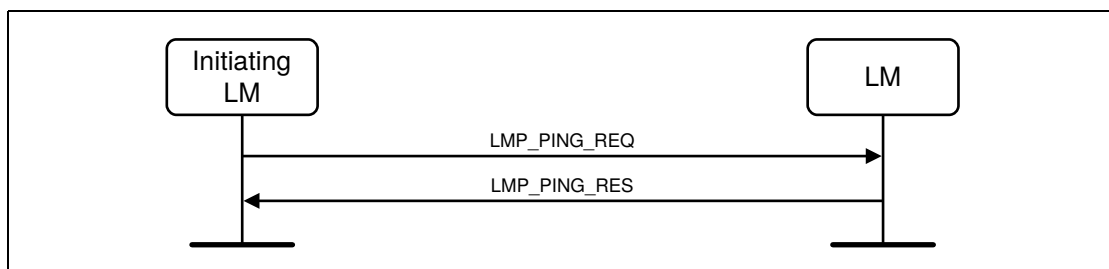


packets with earlier packet counter values have not been deliberately suppressed by an attacker.

M/O	PDU	Contents
O(137)	LMP_PING_REQ	<i>none</i>
O(137)	LMP_PING_RES	<i>none</i>

Table 4.14: Ping PDUs

The initiating link manager sends the LMP_PING_REQ PDU. The responding link manager responds with the LMP_PING_RES PDU. The initiating link manager may be a Central or Peripheral.



Sequence 24: Ping PDUs

The Link Manager shall send an LMP_PING_REQ PDU when the remote device has not sent a packet containing a payload protected by a MIC within an authenticated payload timeout set by the Host (see [Vol 4] Part E, Section 7.3.94). The Link Manager should send an LMP_PING_REQ PDU in advance enough of the expiration of the authenticated payload timeout to allow the remote device reasonable time to respond with an LMP_PING_RES PDU before the timeout expires.

4.1.14 Piconet clock adjustment

The Central may adjust the piconet clock (e.g. to align with an external time base) by initiating the Coarse Clock Adjustment or Clock Dragging procedures. A Peripheral may request that the Central adjust the piconet clock.

M/O	PDU	Contents
O(134)	LMP_CLK_ADJ	Clk_Adj_ID Clk_Adj_Instant Clk_Adj_Offset Clk_Adj_Slots Clk_Adj_Mode Clk_Adj_Clk

Table 4.15: Piconet clock adjustment PDUs



M/O	PDU	Contents
O(134)	LMP_CLK_ADJ_ACK	Clk_Adj_ID
O(134)	LMP_CLK_ADJ_REQ	Clk_Adj_Offset Clk_Adj_Slots Clk_Adj_Period

Table 4.15: Piconet clock adjustment PDUs

Piconet clock adjustment requests may be made at any time after the Link Manager supported features responses have been processed.

The Central is free to reject any request for an adjustment; an implementation may, for instance, accept coarse clock adjustment requests from one Peripheral but reject all requests from any other Peripheral.

4.1.14.1 Central coarse adjustment of piconet clock

The coarse clock adjustment procedure shall only be used if all connected Peripherals declare support for the Coarse Clock Adjustment feature.

For all devices that may use Coarse Clock Adjustment Recovery Mode (see [Vol 2] Part B, Section 8.6.10.2), the RF channel indices used for the Synchronization Train (see [Vol 2] Part B, Section 2.6.4.8) shall be marked as unused in the AFH_Channel_Map for all logical links.

The Central may use the Clk_Adj_Period parameter from one or more Peripherals, in addition to other scheduling considerations, to select an optimal value of Clk_Adj_Slots.

The Central selects the parameters of the coarse clock adjustment. Some parameters shall remain the same for every LMP_CLK_ADJ PDU associated with a given adjustment. These are the number of slots (Clk_Adj_Slots) between 0 and 255, an offset within a slot (Clk_Adj_Offset) between -624 μs and 624 μs, a coarse clock adjustment instant (Clk_Adj_Instant), which is specified in the old time domain before the instant, and an identifier for the instant (Clk_Adj_ID). The Clk_Adj_Instant shall be at least 12 slots in the future and no more than 12 hours away. The Clk_Adj_ID shall be different for any two adjacent adjustments and for any two adjustments whose instants are closer together in time than the longest Link Supervision Timeout period for any Peripheral. Each LMP_CLK_ADJ PDU also contains the value of CLK when it is transmitted (Clk_Adj_Clk) and a flag Clk_Adj_Mode, which shall be set to Before Instant if the LMP_CLK_ADJ PDU is sent before the instant or to After Instant if the LMP_CLK_ADJ PDU is sent on or after the instant.

To initiate the coarse adjustment, the Central starts broadcasting the LMP_CLK_ADJ PDU using the APB-C logical link and, unless all Peripherals have acknowledged, it should broadcast the LMP_CLK_ADJ PDU at least 6 times before the adjustment instant. The Central shall continue to broadcast the LMP_CLK_ADJ PDU until all Peripherals have acknowledged the adjustment



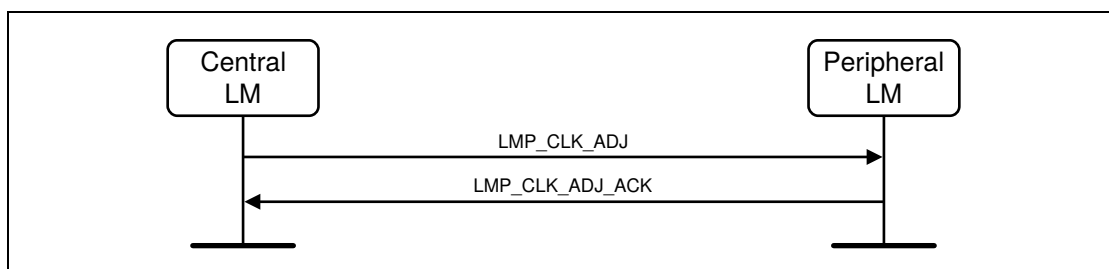
with an LMP_CLK_ADJ_ACK PDU or the Central has left Coarse Clock Adjustment Recovery Mode.

The Central shall not initiate a coarse clock adjustment if there are any transactions outstanding that involve LMP PDUs containing an instant or timing control flags including, but not limited to: role switch, adaptive frequency hopping, SCO, eSCO, sniff, sniff subrating, hold, and encryption pause and resume.

The Central shall not initiate another sequence containing an instant or timing control flags before an outstanding clock adjustment instant has been reached, while waiting for *CLK_adj_dragTO* to expire (see [Vol 2] Part B, Appendix B), or while in Coarse Clock Adjustment Recovery Mode (see [Vol 2] Part B, Section 8.6.10.2); however the latter may be terminated by the Central in order to initiate the request. If a request to initiate such a sequence is received before an outstanding clock adjustment instant is reached or *CLK_adj_dragTO* has been cancelled or has expired, the request shall be rejected with the Error_Code *Different Transaction Collision* (0x2A).

A Peripheral shall discard and not acknowledge an LMP_CLK_ADJ PDU with a value of *Clk_Adj_ID* that is the same as that in the most recently received LMP_CLK_ADJ PDU, if any, and any LMP_CLK_ADJ PDU with any parameters outside the valid range (see Section 5.2).

On receipt of an LMP_CLK_ADJ PDU that passes these checks, the Peripheral shall reply with an LMP_CLK_ADJ_ACK PDU (on the ACL-C logical link) containing the same value of *Clk_Adj_ID* as in the LMP_CLK_ADJ PDU and shall change the value of *peripheral_clock_offset*, if not already performed, as described in [Vol 2] Part B, Section 8.6.10.1, either at the adjustment instant or, if that has passed, immediately.



Sequence 25: Central initiates a coarse clock adjustment

4.1.14.2 Peripheral request for coarse adjustment of piconet clock

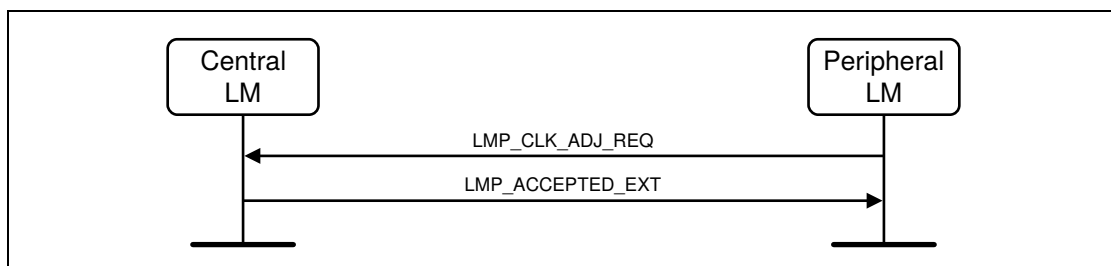
The Peripheral may request a coarse adjustment of the piconet clock by sending the LMP_CLK_ADJ_REQ PDU to the Central. The LMP_CLK_ADJ_REQ PDU contains three parameters: *Clk_Adj_Offset*, *Clk_Adj_Slots*, and *Clk_Adj_Period*. The parameters *Clk_Adj_Offset* and *Clk_Adj_Slots* have the same meaning as in the LMP_CLK_ADJ PDU and *Clk_Adj_Slots* or *Clk_Adj_Offset* shall be non-zero. If non-zero, the parameter *Clk_Adj_Period* is an indication to



the Central that the request is for any of a set of possible adjustments, all of which are equally acceptable to the Peripheral. These adjustments are those where the number of slots is equal to $\text{Clk_Adj_Slots} + N * \text{Clk_Adj_Period}$, where N is zero or a positive integer, and the offset within a slot equals Clk_Adj_Offset . For example, if Clk_Adj_Slots is 18 and Clk_Adj_Period is 48, then the acceptable adjustments are 18, 66, 114, 162, and 210 slots. A value of zero for Clk_Adj_Period indicates that an adjustment of any number of slots is equally acceptable to the Peripheral (that is, the Central may ignore the value of Clk_Adj_Slots). A request for a coarse adjustment shall also update the Central's local record of Clk_Adj_Period for the Peripheral.

The Peripheral may indicate its preferred Clk_Adj_Period to the Central without requesting a clock adjustment. In this case it shall set Clk_Adj_Slots and Clk_Adj_Offset to zero. Upon receiving an LMP_CLK_ADJ_REQ PDU with Clk_Adj_Slots and Clk_Adj_Offset set to zero, the Central shall respond with LMP_ACCEPTED PDU and update its local record of Clk_Adj_Period for the Peripheral, but shall not initialize any clock adjustment. The Central is not required to honor a Peripheral's preferred Clk_Adj_Period when making coarse clock adjustments.

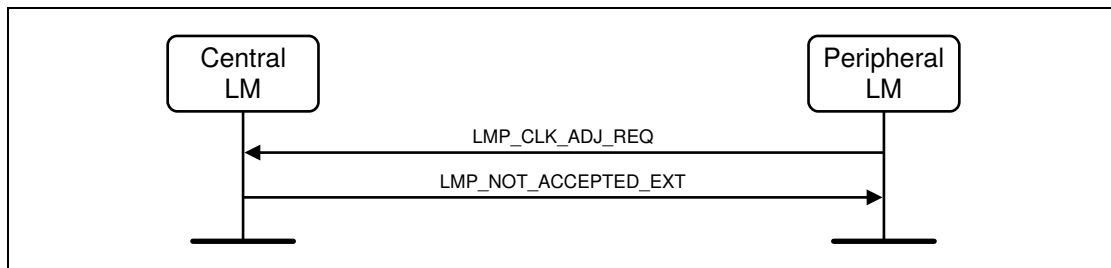
The Central may accept the coarse clock adjustment request from the Peripheral by sending an LMP_ACCEPTED_EXT PDU. This indicates that the Central intends to carry out a coarse clock adjustment with the requested value of Clk_Adj_Offset ; however, the value of Clk_Adj_Slots may be different to that requested and might not follow the Clk_Adj_Period parameter.



Sequence 26: Central accepts Peripheral request for a coarse clock adjustment

The Central may reject the coarse clock adjustment request from the Peripheral by sending an $\text{LMP_NOT_ACCEPTED_EXT}$ PDU with the *Error_Code Command Disallowed* (0x0C) (see [Vol 1] Part F, Section 2.12). The Central's decision not to follow the Clk_Adj_Slots or Clk_Adj_Period parameters does not constitute a rejection.

The Central may implement the coarse clock adjustment request from the Peripheral by carrying out clock dragging (see [Vol 2] Part B, Section 8.6.10.3) to achieve the requested clock adjustment. If so, it shall send an $\text{LMP_NOT_ACCEPTED_EXT}$ PDU with the *Error_Code Coarse Clock Adjustment Rejected but Will Try to Adjust Using Clock Dragging* (0x40) (see [Vol 1] Part F, Section 2.61).



Sequence 27: Central rejects a Peripheral request for coarse clock adjustment

4.1.15 Slot Availability Mask

SAM LMP sequences may be initiated at any time after Link Manager supported features responses have been processed.

Either the Central or the Peripheral may initiate the LMP_SAM_SET_TYPE0 PDU to configure the SAM type 0 submap of the local device. The initiation may be triggered by the HCI command HCI_Set_External_Frame_ - Configuration for MWS coexistence.

Either the Central or the Peripheral may initiate the LMP_SAM_DEFINE_MAP PDU to define a new or modify an existing local SAM slot map. The initiation may be triggered by the HCI command HCI_Set_MWS_PATTERN_ - Configuration for MWS coexistence. If a type 0 submap is used with the LMP_ - SAM_DEFINE_MAP PDU, the Controller shall first execute the SAM set type 0 LMP sequence to configure the SAM type 0 submap, then the SAM define map LMP sequence itself.

Either the Central or the Peripheral may initiate the LMP_SAM_SWITCH PDU to switch to a local SAM slot map that has been defined by previous SAM set type 0 and SAM define map LMP sequences. This may be triggered by the real-time signals (e.g. MWS_PATTERN_Index, FRAME_SYNC, etc.) from the Coexistence Logical Interface (see [\[Vol 7\] Part A](#)), which contain information for the SAM_Index to be activated and the SAM anchor point for MWS coexistence. Piconet Clock Adjustment may be performed to create more available slot pairs per MWS frame before initiating the SAM switch LMP sequence.



These SAM LMP sequences will be described in detail in the following subsections.

M/O	PDU	Contents
O(138)	LMP_SAM_SET_TYPE0	Update_Mode SAM_Type0_Submap
O(138)	LMP_SAM_DEFINE_MAP	SAM_Index T_{SAM_SM} N_{SAM_SM} SAM_Submaps
O(138)	LMP_SAM_SWITCH	SAM_Index Timing_Control_Flags D_{SAM} SAM_Instant

Table 4.16: PDUs used for SAM negotiation

The LMP_SAM_SET_TYPE0 PDU contains the following SAM parameters from the sender:

1. Update_Mode: When Update_Mode is set to 0, the existing slot maps containing the type 0 submap are invalidated and the corresponding SAM_Index shall not be used until the map with that index has been redefined in a subsequent SAM define map LMP sequence. When Update_Mode is set to 1, the new type 0 submap shall take effect immediately. When Update_Mode is set to 2, the new type 0 submap shall take effect at the start of the next sub-interval.
2. SAM_Type0_Submap: This parameter specifies the types of each slot in the type 0 submap. The length of this parameter corresponds to 56 slots but, when it is used in a map, only the first T_{SAM_SM} entries are significant.

Different maps can have different values of T_{SAM_SM} .

The LMP_SAM_DEFINE_MAP PDU contains the following parameters from the sender:

1. SAM_Index: Index of the SAM slot map this PDU applies to. If the same SAM_Index has been previously defined, then the previous map parameters associated with the map shall be discarded and replaced by the parameters contained in this PDU.
2. T_{SAM_SM} : Length of each SAM submap in slots. It shall be an even integer in the range 2 to 56.
3. N_{SAM_SM} : The number of SAM submaps in the SAM slot map.
4. SAM_Submaps: This parameter specifies the types of the SAM submaps, using 2 bits for each submap. The length of this parameter corresponds to 48 submaps, but only the first N_{SAM_SM} entries are significant.

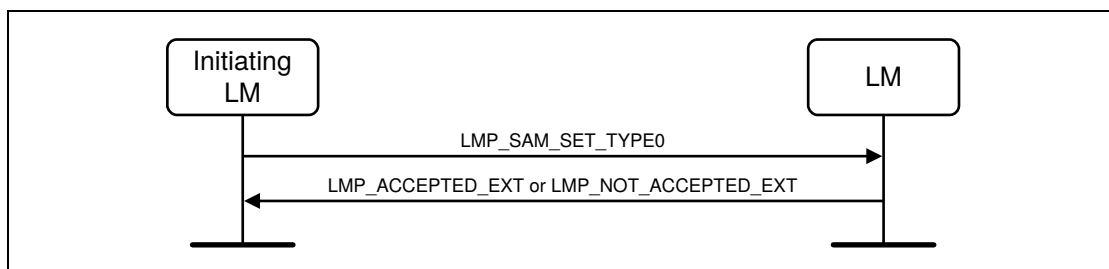


The LMP_SAM_SWITCH PDU contains the following parameters from the sender:

1. SAM_Index: Index of the SAM slot map. It shall either be the index of a valid map, in which case SAM should be enabled and that map selected, or shall be 0xFF, which indicates that SAM should be disabled (meaning that, for SAM purposes, all slots are available for both transmission and reception). Disabling SAM does not invalidate a SAM slot map or the type 0 submap.
2. Timing_Control_Flags: This parameter is used to avoid clock wrap-around during the sequence, using one of the two initialization rules. Only bit1 of the Timing_Control_Flags parameter is valid.
3. D_{SAM}: SAM offset that is used to compute the SAM anchor point. Only even values are valid.
4. SAM_Instant: Bits 27:1 of the Central's clock value when the SAM slot map is to be activated. This is used to indicate the first anchor point of the slot map. The new SAM slot map may be activated at SAM_Instant even if the Baseband acknowledgment is not received.

4.1.15.1 SAM type 0 submap configuration

Either the Central or the Peripheral may initiate the SAM type 0 submap configuration sequence by sending an LMP_SAM_SET_TYPE0 PDU to the responder. Both devices shall save the SAM parameters contained in this PDU. Update_Mode shall not be set to 0 if the active SAM slot map contains a type 0 submap. If the responder can accept the parameters, it shall send an LMP_ACCEPTED_EXT PDU. If the Update_Mode parameter is set to 0 and the active SAM slot map contains a type 0 submap, it shall send an LMP_NOT_ACCEPTED PDU with the Error_Code *Invalid LMP Parameters (0x1E)*.



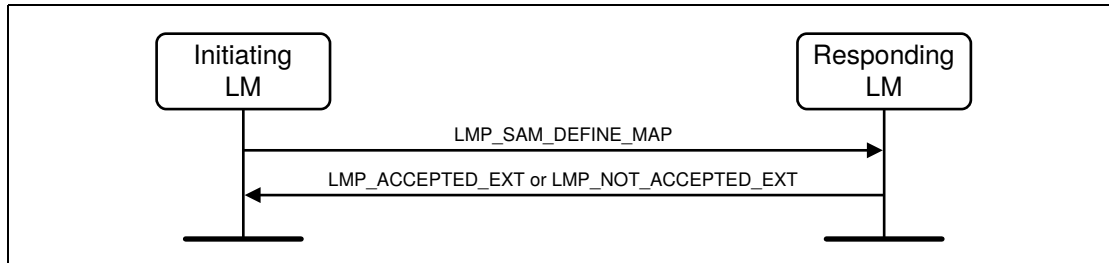
Sequence 28: SAM type 0 submap configuration sequence

4.1.15.2 SAM slot map define

Either the Central or the Peripheral may initiate the SAM slot map define sequence by sending an LMP_SAM_DEFINE_MAP PDU. If N_{SAM_SM} is set to zero, the map shall be deleted. The SAM_Index parameter shall not be 0xFF or that of the currently selected map. The slot map may only contain a type 0 submap if the LMP_SAM_SET_TYPE0 sequence has already been used to define the type 0 submap. If the responder can accept the parameters, it shall send an



LMP_ACCEPTED_EXT PDU. If a SAM type 0 submap is used in an LMP_SAM_DEFINE_MAP PDU without successfully completing the LMP_SAM_SET_TYPE0 sequence in advance, it shall send an LMP_NOT_ACCEPTED PDU with the Error_Code *Type0 Submap Not Defined (0x41)*.

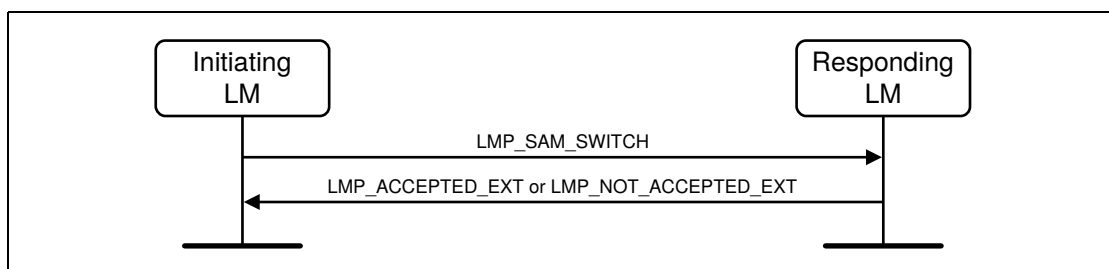


Sequence 29: SAM slot map define sequence

4.1.15.3 SAM switch sequence

Either the Central or the Peripheral may initiate the SAM switch sequence by sending an LMP_SAM_SWITCH PDU to the responder. There are two initialization procedures to prevent problems caused by clock wrap-around; see [Vol 2] Part B, Section 8.6.11.1 for details. The SAM_Index shall refer to a SAM slot map that is currently valid (the special value 0xFF is always valid). If the responder can accept the parameters, it shall send an LMP_ACCEPTED_EXT PDU. If the SAM_Index is invalid (e.g., the associated SAM_Index configuration has not yet been defined with LMP_SAM_DEFINE_MAP_SEQUENCE), it shall send an LMP_NOT_ACCEPTED PDU with the Error_Code *Invalid LMP Parameters (0x1E)*.

Each Controller shall notify its Host of a successful SAM switch sequence specifying a different SAM_Index to that currently selected (it may, but need not, notify the Host if the sequence specifies the current map). The currently selected map remains in effect if the change is not accepted.



Sequence 30: SAM switch sequence

4.1.15.4 SAM change during the transmission of a multi-slot packet

SAM slot map changes do not affect the transmission of a multi-slot packet that spans the change instant. In the case of a Central-to-Peripheral packet, the new map can mean that the Peripheral may choose not to reply to the packet.



4.1.15.5 SAM and role switching

The Central and Peripheral shall disable SAM at the role switch instant. If the role switch fails, both devices shall resume using the SAM parameters prior to the role switch instant.

SAM mode may be reconfigured and re-enabled after the successful completion of a role switch using the new piconet clock.

4.1.15.6 SAM and Sniff mode

If sniff negotiation is requested when SAM is already enabled, the device should align sniff with SAM by choosing the sniff anchor point to be an available Central-to-Peripheral slot and the sniff period to be an integer multiple of T_{SAM} . If such alignment is not possible, the sniff configuration shall take precedence, even if this requires a device to transmit or receive on a slot marked as unavailable by SAM. The SAM slot maps shall be reinstated when devices exit Sniff mode.

Note: Even though Sniff mode overrides the SAM slot maps, a device still might not be able to transmit or receive because of scatternet commitments, a coexistence clash, or some other reason.

4.2 SECURITY

4.2.1 Authentication

Two authentication procedures are defined: legacy and secure authentication. Legacy authentication shall be performed when at least one device does not support both the Secure Connections (Controller Support) and Secure Connections (Host Support) features and the local device allows legacy authentication to be used. Secure authentication shall be performed when both devices support the Secure Connections (Controller Support) and Secure Connections (Host Support) features.

The legacy authentication procedure is based on a challenge-response scheme as described in [\[Vol 2\] Part H, Section 3.2.2](#). The verifier sends an LMP_AU_RAND PDU that contains a random number (the challenge) to the claimant. The claimant calculates a response, that is a function of this challenge, the claimant's BD_ADDR and a secret key. The response is sent back to the verifier, which checks if the response was correct or not. The response shall be calculated as described in [\[Vol 2\] Part H, Section 6.1](#). A successful calculation of the authentication response requires that two devices share a secret key. This key is created as described in [Section 4.2.2](#). Both the Central and the Peripheral can be verifiers. The sequences for legacy authentication are described in [Section 4.2.1.1](#) and [Section 4.2.1.2](#).

The secure authentication procedure is a challenge-response scheme as described in [\[Vol 2\] Part H, Section 5](#). The verifier sends an LMP_AU_RAND



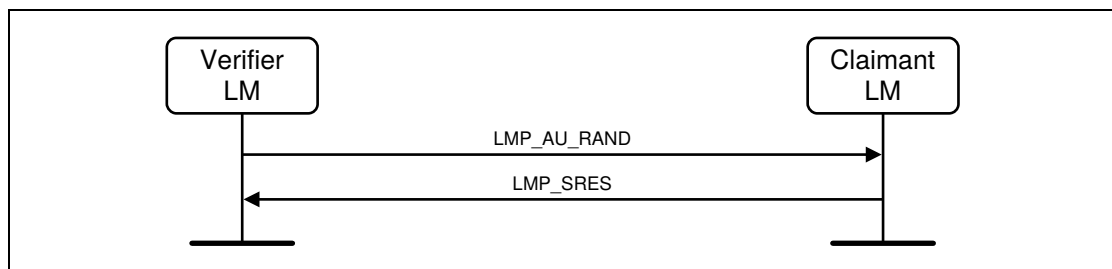
PDU that contains a random number (the challenge) to the claimant. The claimant responds with another LMP_AU RAND PDU also containing a random number. Both Link Managers calculate the Device Authentication Key using the h4 function (see [Vol 2] Part H, Section 7.7.7) and then calculate the SRES_C, SRES_P and ACO values using the h5 function (see [Vol 2] Part H, Section 7.7.8). The Peripheral (regardless of whether it was the verifier or claimant) sends its response (SRES_P) to the Central. The Central sends its response (SRES_C) to the Peripheral. A successful calculation of the authentication response requires that two devices share a secret key. The sequences for secure authentication are described in Section 4.2.1.2 and Section 4.2.1.4.

M/O	PDU	Contents
M	LMP_AU RAND	Random_Number
M	LMP_SRES	Authentication_Rsp

Table 4.17: Authentication PDUs

4.2.1.1 Claimant has link key (legacy authentication)

If the claimant has a link key associated with the verifier, it shall calculate the response and sends it to the verifier with LMP_SRES. The verifier checks the response. If the response is not correct, the verifier can end the connection by sending an LMP_DETACH PDU with the Error_Code Authentication Failure (0x05), see Section 4.1.2.



Sequence 31: Authentication. Claimant has link key.

Upon reception of an LMP_AU RAND, an LM shall reply with LMP_SRES before initiating its own authentication.

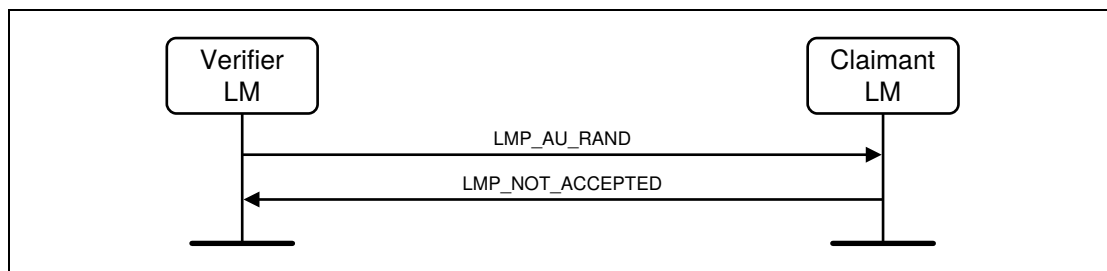
Note: There can be conflicting actions from the Central and the Peripheral which could lead to the two devices having different Authenticated Ciphering Offsets (ACOs, see [Vol 2] Part H, Section 6.1) when they calculate the encryption key. The following procedures assure that this cannot occur:

- procedure in Section 2.5.1 (Transaction Collision Resolution) when the Central and Peripheral simultaneously initiate an authentication.
- procedure in Section 4.2.5.1 when encryption parameters are being negotiated.

4.2.1.2 Claimant has no link key (legacy authentication and secure authentication)

If the claimant does not have a link key associated with the verifier it shall send an LMP_NOT_ACCEPTED PDU with the Error_Code *PIN or Key Missing* (0x06) after receiving an LMP_AU_RAND PDU ([Vol 1] Part F, Section 2.6).

Note: This sequence is identical for legacy authentication and secure authentication.



Sequence 32: Authentication fails. Claimant has no link key.

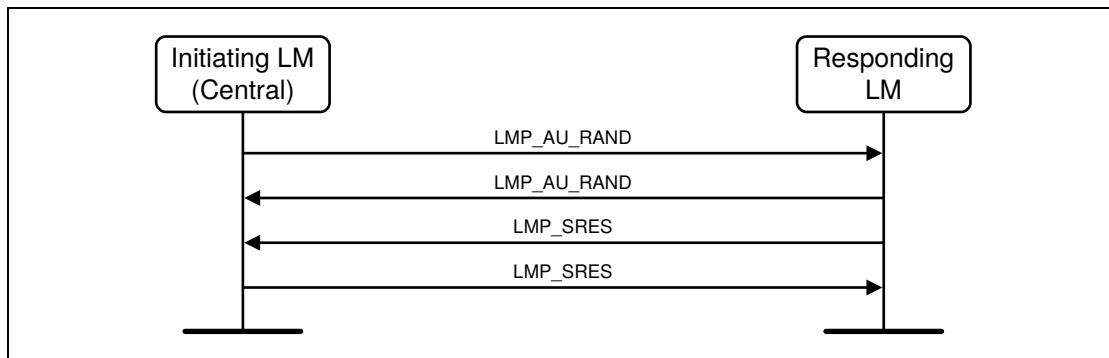
4.2.1.3 Repeated attempts

The scheme described in [Vol 2] Part H, Section 5.1 shall be applied when an authentication fails.

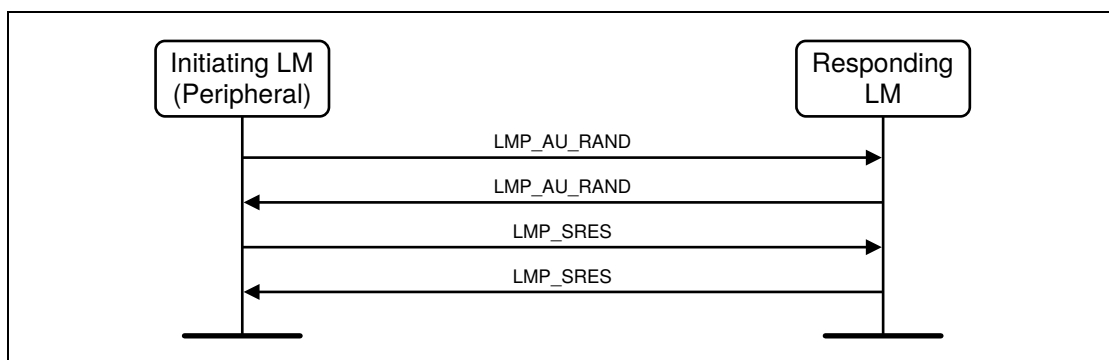
4.2.1.4 Responder has link key (secure authentication)

Both the Central and Peripheral LM act as verifier and claimant. The initiator is the device that sends the LMP_AU_RAND PDU first.

The initiator sends an LMP_AU_RAND PDU to the responder. If the responder has a link key associated with the initiator, it shall respond with an LMP_AU_RAND PDU. The initiator and responder shall calculate the response. The Peripheral responds first with an LMP_SRES PDU containing SRES_P. The Central shall then respond with an LMP_SRES PDU containing SRES_C. The Central shall verify that the SRES_P sent by the Peripheral matches the SRES_P calculated by the Central. The Peripheral shall verify that the SRES_C sent by the Central matches the SRES_C calculated by the Peripheral. If the response is not correct, then either device can end the connection by sending an LMP_DETACH PDU with the Error_Code *Authentication Failure* (0x05) (see Section 4.1.2).



Sequence 33: Secure authentication. Responder has link key. Initiator is Central.



Sequence 34: Secure authentication. Responder has link key. Initiator is Peripheral.

In the case where the Central and Peripheral both initiate the secure authentication sequence, the Central shall reject the Peripheral's LMP_AU_RAND PDU with an LMP_NOT_ACCEPTED PDU with the Error_Code LMP Error Transaction Collision / LL Procedure Collision (0x23). The Peripheral shall send another LMP_AU_RAND PDU with transaction ID set to 0 (Central).

Note: Secure Authentication is a mutual authentication.

4.2.2 Pairing

When two devices do not have a common link key an initialization key (K_{init}) shall be created using either the pairing or Secure Simple Pairing procedures. When pairing is used, K_{init} shall be created based on a PIN, and a random number and a BD_ADDR. K_{init} shall be created as specified in [Vol 2] Part H, Section 6.3. When both devices have calculated K_{init} the link key shall be created, and a mutual authentication is performed. The pairing procedure starts with a device sending an LMP_IN_RAND PDU; this device is referred to as the "initiating LM" or "initiator" in Section 4.2.2.1 - Section 4.2.2.5. The other



device is referred to as the "responding LM" or "responder". The PDUs used in the pairing procedure are:

M/O	PDU	Contents
M	LMP_IN_RAND	Random_Number
M	LMP_AU_RAND	Random_Number
M	LMP_SRES	Authentication_Rsp
M	LMP_COMB_KEY	Random_Number
M	LMP_UNIT_KEY	Key

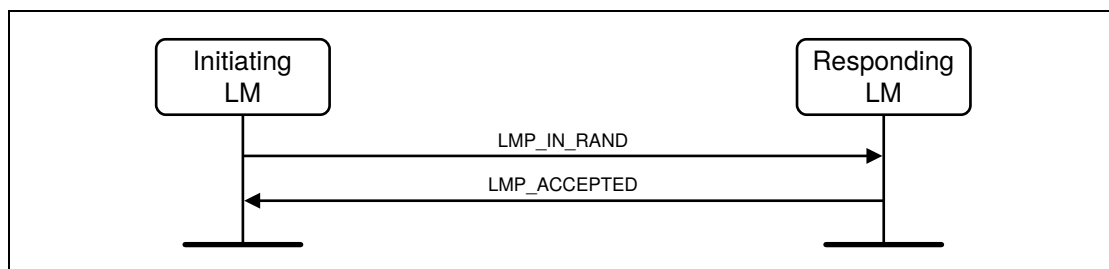
Table 4.18: Pairing PDUs

The Link Manager shall not send an LMP_UNIT_KEY PDU.

All sequences described in Section 4.2.2, including the mutual authentication after the link key has been created, shall form a single transaction. The transaction ID from the first LMP_IN_RAND shall be used for all subsequent sequences.

4.2.2.1 Responder accepts pairing and has a variable PIN

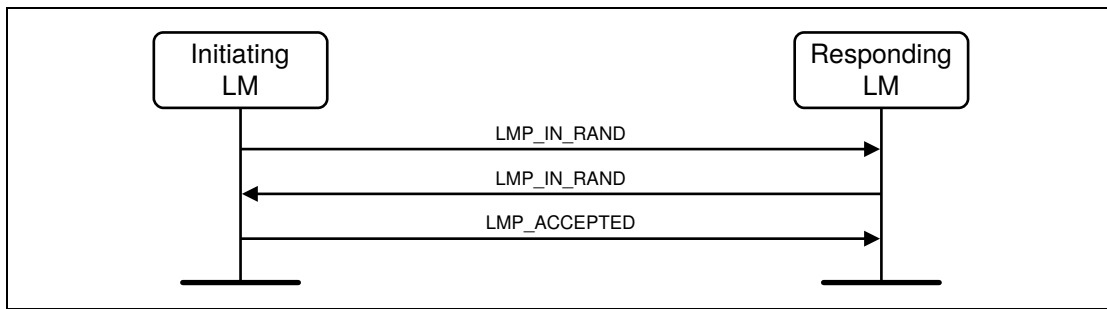
If the responder accepts the pairing and has a variable PIN, then it shall reply with an LMP_ACCEPTED PDU. Both devices shall then calculate K_{init} based on the BD_ADDR of the responder and the procedure continues with creation of the link key; see Section 4.2.2.4.



Sequence 35: Pairing accepted. Responder has a variable PIN. Initiator has a variable or fixed PIN.

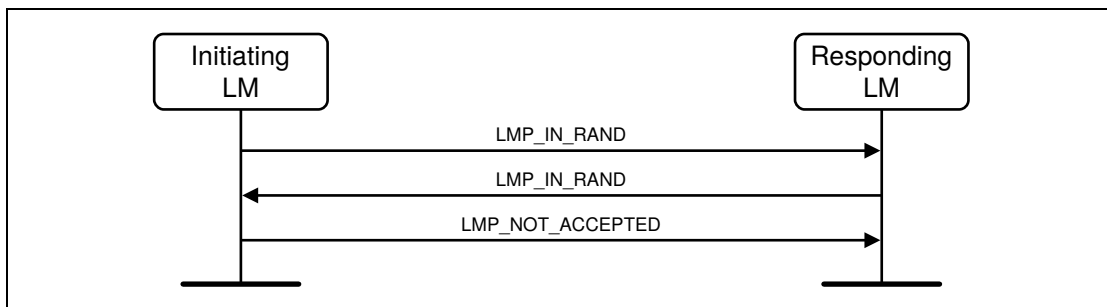
4.2.2.2 Responder accepts pairing and has a fixed PIN

If the responder accepts the pairing and has a fixed PIN, then it shall generate a new random number and send it back in an LMP_IN_RAND PDU. If the initiator has a variable PIN, then it shall accept the LMP_IN_RAND PDU and shall respond with an LMP_ACCEPTED PDU. Both sides shall then calculate K_{init} based on the last IN_RAND and the BD_ADDR of the initiator. The procedure continues with creation of the link key; see Section 4.2.2.4.



Sequence 36: Responder has a fixed PIN and initiator has a variable PIN

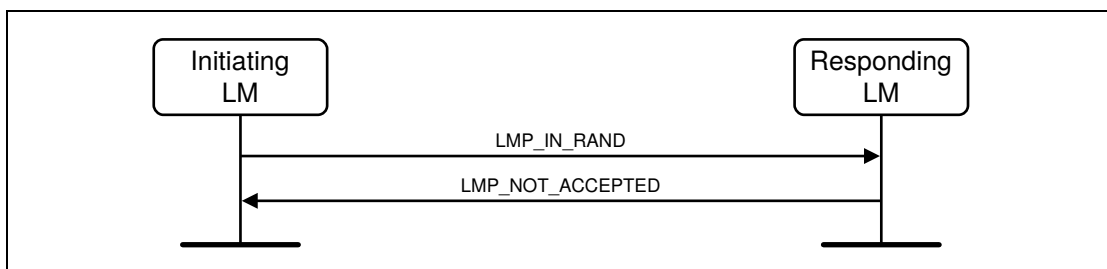
If the responder has a fixed PIN and the initiator also has a fixed PIN, then the second LMP_IN_RANDOM shall be rejected by the initiator sending an LMP_NOT_ACCEPTED PDU with the Error_Code *Pairing not Allowed (0x18)*.



Sequence 37: Both devices have a fixed PIN

4.2.2.3 Responder rejects pairing

If the responder rejects pairing (e.g., because the user has disabled pairing on the device) it shall send an LMP_NOT_ACCEPTED PDU with the Error_Code *Pairing not Allowed (0x18)* after receiving an LMP_IN_RANDOM PDU.



Sequence 38: Responder rejects pairing

4.2.2.4 Creation of the link key

When K_{init} is calculated in both devices the link key shall be created. This link key will be used in the authentication between the two devices for all subsequent connections until it is changed; see [Section 4.2.3](#) and [Section 4.2.4](#). The link key created in the pairing procedure will be a combination key;

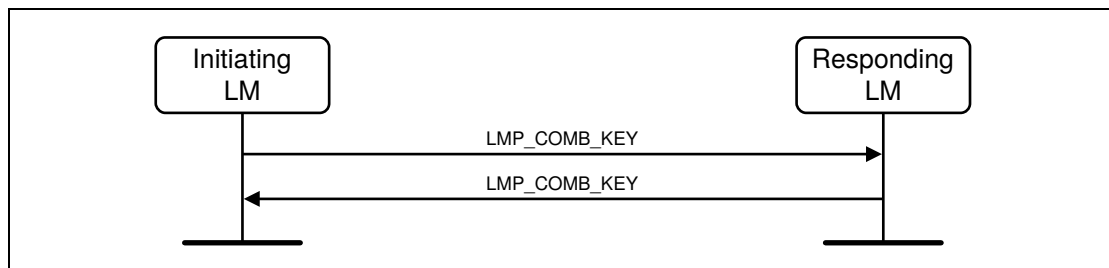


both devices send an LMP_COMB_KEY PDU and the link key shall be calculated as described in [Vol 2] Part H, Section 3.2.

The content of the LMP_COMB_KEY PDU is LK_RAND bitwise XORed with K_{init} . Any device configured to use a combination key shall store the link key.

When the new link key has been created mutual authentication shall be performed to confirm that the same link key has been created in both devices. After mutual authentication, if encryption is enabled, the initiating device shall pause and immediately resume encryption to produce a new encryption key.

Note: This will cause a new encryption key to be generated from the ACO created during the mutual authentication process and, when E0 encryption is used, the random number sent in the LMP_START_ENCRYPTION_REQ PDU which occurs in response to the resumption of encryption.



Sequence 39: Creation of the link key

If, in sequence 39, either device sends an LMP_UNIT_KEY PDU, the other device shall respond with an LMP_NOT_ACCEPTED PDU with the Error_Code set to *Pairing with Unit Key Not Supported* (0x29).

4.2.2.5 Repeated attempts

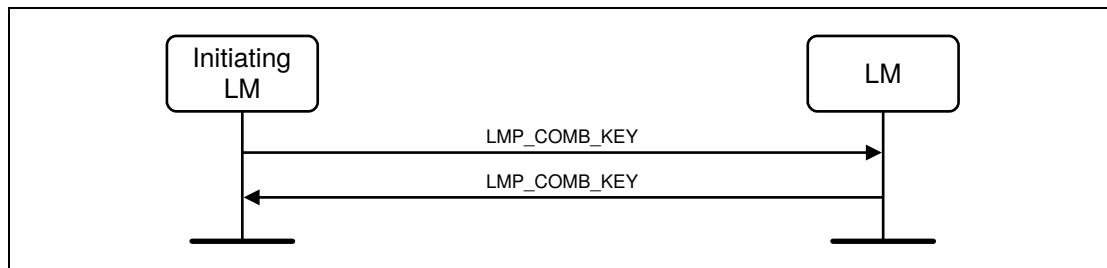
When the authentication after creation of the link key fails because of an incorrect Authentication_Rsp, the scheme described in [Vol 2] Part H, Section 5.1 shall be applied.

4.2.3 Change link key

The link key can be changed. The contents of the LMP_COMB_KEY PDU is protected by a bitwise XOR with the current link key.

M/O	PDU	Contents
M	LMP_COMB_KEY	Random_Number

Table 4.19: Change link key PDU



Sequence 40: Successful change of the link key

The new link key shall be stored and the old link key shall be discarded. The new link key shall be used as link key for all the following connections between the two devices until the link key is changed again. The new link key also becomes the current link key. It will remain the current link key until the link key is changed again, or until a temporary link key is created, see [Section 4.2.4](#).

When the new link key has been created, mutual or secure authentication shall be performed to confirm that the same link key has been created in both devices.

If both devices support the Secure Connections (Controller Support) and Secure Connections (Host Support) features, the device that initiated the change link key shall initiate the Secure Authentication procedure. Otherwise, the first authentication in the mutual authentication is performed with the device that initiated the change link key as verifier. When finalized an authentication in the reverse direction is performed.

After mutual or secure authentication, if encryption is enabled, the initiating device shall pause and immediately resume encryption to produce a new encryption key.

Note: This will cause a new encryption key to be generated from the ACO created during the mutual authentication process, and when E0 encryption is used, the random number sent in the LMP_START_ENCRYPTION_REQ PDU which occurs in response to the resumption of encryption.

4.2.4 Change current link key type

The current link key can be a semi-permanent link key or a temporary link key. It may be changed temporarily, but the change shall only be valid for the current connection, see [\[Vol 2\] Part H, Section 3.1](#). Changing to a temporary link key is necessary if the piconet is to support encrypted broadcast. The current link key shall not be changed before the connection establishment procedure has completed.



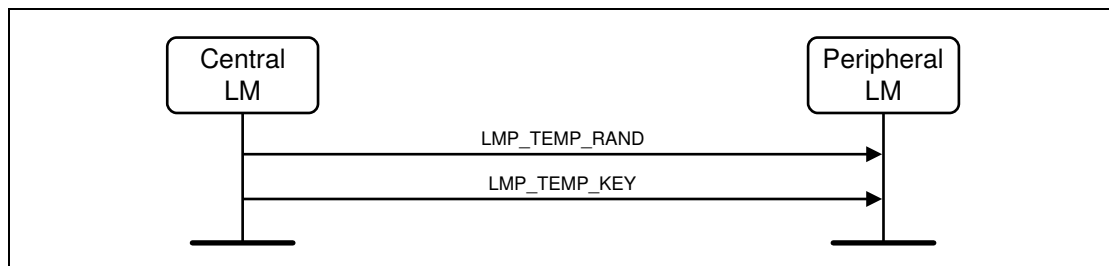
M/O	PDU	Contents
O(23)	LMP_TEMP_RAND	Random_Number
O(23)	LMP_TEMP_KEY	Key
O(23)	LMP_USE_SEMI_PERMANENT_KEY	none

Table 4.20: Change current link key PDU

4.2.4.1 Change to a temporary link key

The Central starts by creating the temporary link key K_{temp} as specified in [Vol 2] Part H (EQ 4). Then the Central shall generate a random number, RAND, and shall send it to the Peripheral in an LMP_TEMP_RAND PDU. Both sides then calculate an overlay denoted OVL as $OVL = E_{22}(\text{current link key}, RAND, 16)$. The Central shall then send K_{temp} protected by XORing with OVL to the Peripheral in an LMP_TEMP_KEY PDU. The Peripheral calculates K_{temp} , based on OVL, that becomes the current link key. It shall be the current link key until the devices fall back to the semi-permanent link key, see Section 4.2.4.2.

Note: The terminology in this section is the same as used in [Vol 2] Part H, Section 3.2.8.



Sequence 41: Change to a temporary link key

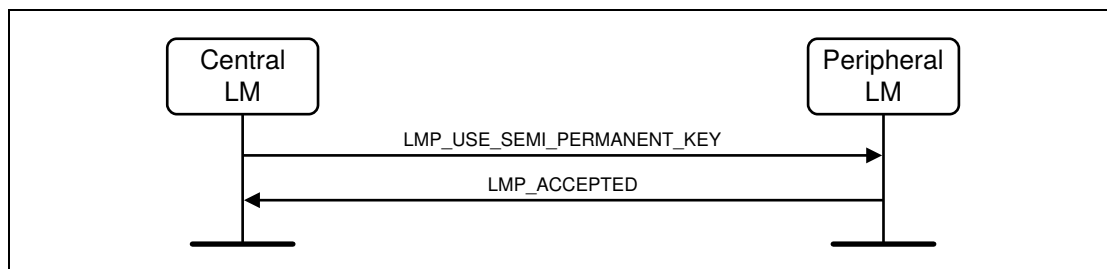
All sequences described in Section 4.2.4.1, including the mutual authentication after K_{temp} has been created, shall form a single transaction. The transaction ID shall be set to 0.

When the devices have changed to the temporary key, a mutual authentication shall be made to confirm that the same link key has been created in both devices. The first authentication in the mutual authentication shall be performed with the Central as verifier. When finalized an authentication in the reverse direction is performed.

Should the mutual authentication fail at either side, the LM of the verifier should start the detach procedure. This will allow the procedure to succeed even though one of the devices may be erroneous.

4.2.4.2 Semi-permanent link key becomes current link key

After the current link key has been changed to K_{temp} , this change can be undone and the semi-permanent link key becomes the current link key again. If encryption is used on the link, the procedure to go back to the semi-permanent link key shall be immediately followed by the Central stopping encryption using the procedure described in [Section 4.2.5.4](#). Encryption may be restarted by the Central according to the procedures in [Section 4.2.5.1](#) subsection 3. This is to assure that encryption with encryption parameters known by other devices in the piconet is not used when the semi-permanent link key is the current link key.



Sequence 42: Link key changed to the semi-permanent link key

4.2.5 Encryption

If at least one authentication has been performed encryption may be used. Two encryption mechanisms are defined: E0 encryption (legacy) and AES-CCM encryption. If both devices support the Secure Connections (Controller Support) and Secure Connections (Host Support) features, then AES-CCM shall be used when encryption is enabled. If at least one device does not support both the Secure Connections (Controller Support) and Secure Connections (Host Support) features, then E0 shall be used when encryption is enabled.

In order for the Central to use the same encryption parameters for all Peripherals in the piconet where E0 encryption would be used it shall issue a temporary key, K_{temp} . The Central shall make this key the current link key for all Peripherals in the piconet where E0 encryption would be used before encryption is started, see [Section 4.2.4](#). This is required if broadcast packets are to be encrypted.

Note: Packets encrypted with broadcast encryption can not be received by Peripherals that have AES-CCM encryption enabled. When the local Controller supports Secure Connections and there are not any Peripherals in the piconet that do not support Secure Connections, broadcast packets will not be encrypted and may be received by Peripherals that support Secure Connections.



M/O	PDU	Contents
O (2)	LMP_ENCRYPTION_MODE_REQ	Encryption_Mode
O (2)	LMP_ENCRYPTION_KEY_SIZE_REQ	Key_Size
O (2)	LMP_START_ENCRYPTION_REQ	Random_Number
O (2)	LMP_STOP_ENCRYPTION_REQ	<i>none</i>
O (42)	LMP_PAUSE_ENCRYPTION_REQ	<i>none</i>
O (42)	LMP_RESUME_ENCRYPTION_REQ	<i>none</i>
O (136)	LMP_PAUSE_ENCRYPTION_AES_REQ	Random_Number

Table 4.21: Encryption handling PDU

All sequences described in Section 4.2.5 shall form a single transaction. The transaction ID from the LMP_ENCRYPTION_MODE_REQ PDU shall be used for all start encryption and stop encryption sequences.

Where the specification requires a device to resume encryption as part of one procedure and then pause it as part of a following procedure, the device may omit both the resume and the subsequent pause.

4.2.5.1 Encryption mode

The Central and the Peripheral must agree upon whether to use encryption (Encryption_Mode=1 in LMP_ENCRYPTION_MODE_REQ) or not (Encryption_Mode=0). If the semi-permanent key is used, encryption shall only apply to point-to-point packets. If the temporary link key is used, encryption shall apply to both point-to-point packets and broadcast packets. If Central and Peripheral agree on the encryption mode, the Central continues to give more detailed information about the encryption.

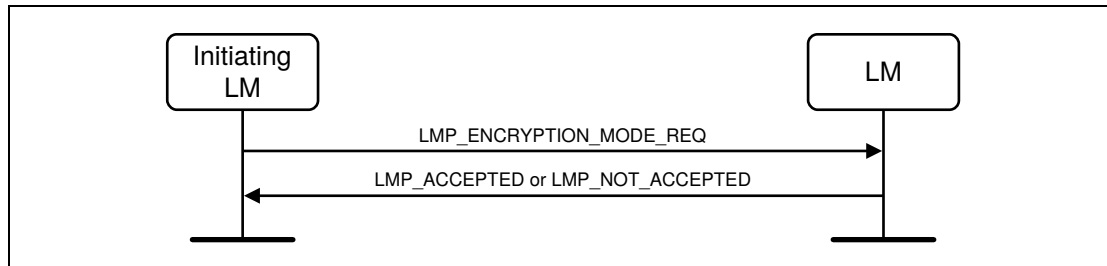
If a device receives an LMP_ENCRYPTION_MODE_REQ with an Encryption_Mode value of 2 then the device should treat it as if the Encryption_Mode value was 1.

If both devices support both the Secure Connections (Controller Support) and Secure Connections (Host Support) features, setting the Encryption_Mode to 0 shall not be allowed. If a device receives an LMP_ENCRYPTION_MODE_REQ PDU with Encryption_Mode set to 0, it shall respond with an LMP_NOT_ACCEPTED PDU with Error_Code *Encryption Mode Not Allowed (0x25)*.

The initiating LM shall pause traffic on the ACL-U logical link (see [Vol 2] Part B, Section 5.3.1). The initiating device shall then send the LMP_ENCRYPTION_MODE_REQ PDU. If the responding device accepts the change in encryption mode then it shall complete the transmission of the current packet on the ACL logical transport and shall then suspend transmission on the ACL-U logical link. The responding device shall then send the LMP_ACCEPTED PDU.



ACL-U logical link traffic shall only be resumed after the attempt to encrypt or decrypt the logical transport is completed, i.e. at the end of [Sequence 43](#) (on failure), [45](#), [46](#), or [47](#).



Sequence 43: Negotiation for encryption mode

After a device has sent an LMP_ENCRYPTION_MODE_REQ PDU it shall not send an LMP_AU_RAND PDU before encryption is started. After a device has received an LMP_ENCRYPTION_MODE_REQ PDU and sent an LMP_ACCEPTED PDU it shall not send an LMP_AU_RAND PDU before encryption is started. If an LMP_AU_RAND PDU is sent violating these rules, the claimant shall respond with an LMP_NOT_ACCEPTED PDU with the Error_Code *LMP PDU Not Allowed (0x24)*. This assures that devices will not have different ACOs when they calculate the encryption key. If the encryption mode is not accepted or the encryption key size negotiation results in disagreement the devices may send an LMP_AU_RAND PDU again.

4.2.5.2 Encryption key size

Note: This section uses the same terms as in [\[Vol 2\] Part H, Section 4.1](#).

The Central sends an LMP_ENCRYPTION_KEY_SIZE_REQ PDU including the suggested key size $L_{\text{sug_c}}$, that shall initially be equal to $L_{\text{max_c}}$. If $L_{\text{min_p}} \leq L_{\text{sug_c}} \leq L_{\text{max_p}}$, the Peripheral shall respond with an LMP_ACCEPTED PDU and $L_{\text{sug_c}}$ shall be used as the key size.

If $L_{\text{sug_c}} > L_{\text{max_p}}$, the Peripheral shall send back an LMP_ENCRYPTION_KEY_SIZE_REQ PDU including the Peripheral's suggested key size $L_{\text{sug_p}}$ set to $L_{\text{max_p}}$. If $L_{\text{sug_c}} < L_{\text{min_p}}$, the Peripheral shall send back an LMP_NOT_ACCEPTED PDU with the Error_Code *Unsupported LMP Parameter Value (0x20)* and the devices shall not communicate using encryption.

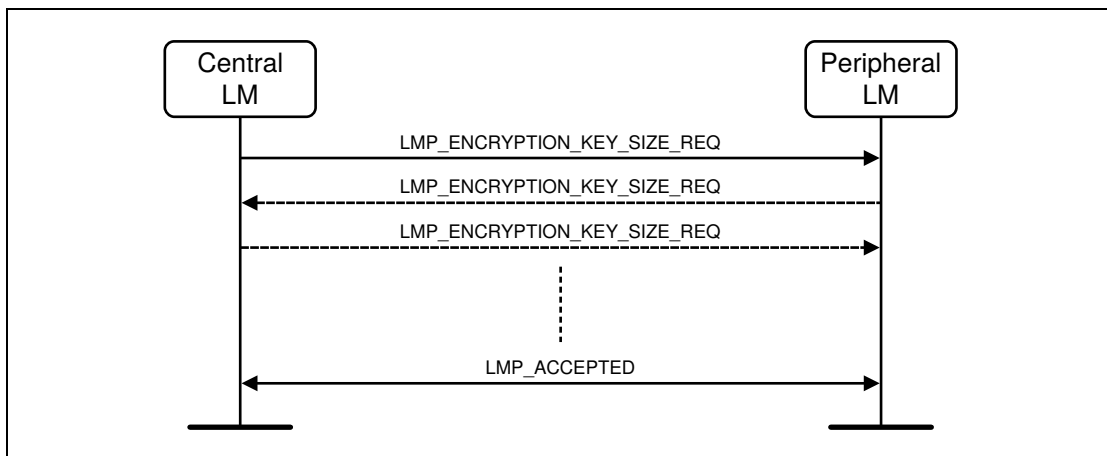
If the Peripheral sends back an LMP_ENCRYPTION_KEY_SIZE_REQ PDU, then the Central performs the corresponding test on the Peripheral's suggestion. This procedure is repeated until a key size agreement is reached or it becomes clear that no such agreement can be reached. If an agreement is reached a device sends an LMP_ACCEPTED PDU and the key size in the last LMP_ENCRYPTION_KEY_SIZE_REQ PDU shall be used.



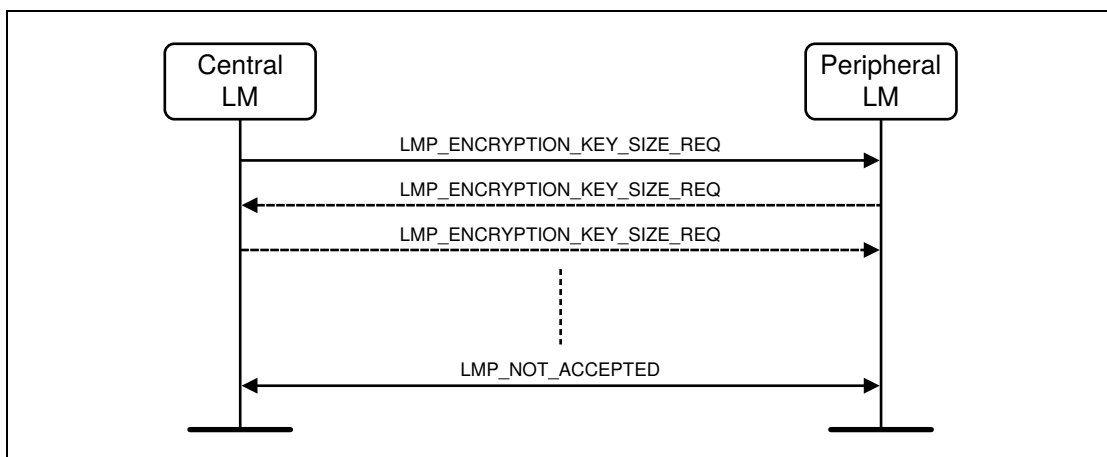
If a key size is agreed, encryption is then started; see [Section 4.2.5.3](#). If an agreement is not reached a device sends an LMP_NOT_ACCEPTED PDU with the Error_Code *Unsupported LMP Parameter Value (0x20)* and the devices shall not communicate using encryption.

L_max_c and L_max_p shall be set to at least 7 octets. L_min_c and L_min_p should be set to at least 7 octets. The values of L_max_c, L_min_c, L_max_p, and L_min_p shall not change during an ACL connection between the Central and the Peripheral.

Note: If the Host of either the Central or the Peripheral uses services that require security mode 4 (see [\[Vol 3\] Part C, Section 5.2.2.8](#)), a key size longer than the key size negotiated by the two Link Managers can be enforced.



Sequence 44: Encryption key size negotiation successful



Sequence 45: Encryption key size negotiation failed

4.2.5.3 Start encryption

To start encryption, the Central issues the random number EN_RAND and calculates the encryption key. See [\[Vol 2\] Part H, Section 3.2.5](#). The random num-

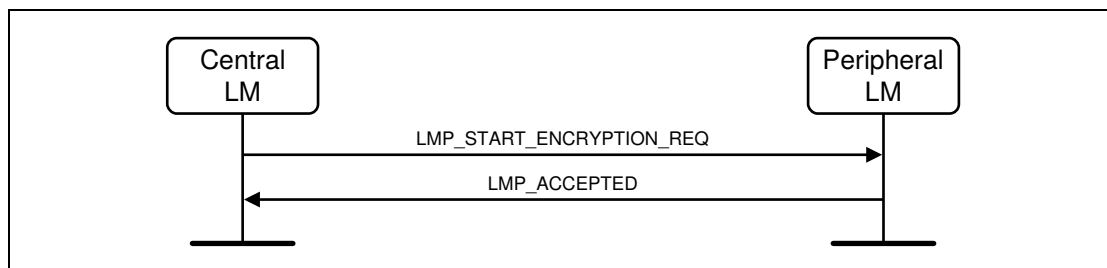


ber shall be the same for all Peripherals in the piconet when broadcast encryption is used. The Central then sends an LMP_START_ENCRYPTION_REQ PDU, that includes EN_RAND.

The Peripheral shall calculate the encryption key when this message is received and shall acknowledge with an LMP_ACCEPTED PDU. For E0, the encryption key shall be calculated using the E3 algorithm (see [Vol 2] Part H, Section 6.4). For AES-CCM, the encryption key shall be calculated using the h3 algorithm (see [Vol 2] Part H, Section 7.7.6).

Note: For AES-CCM, the EN_RAND is not used when creating the encryption key.

If encryption has been paused, then this sequence shall not be used.



Sequence 46: Start encryption

Starting encryption shall be performed in three steps:

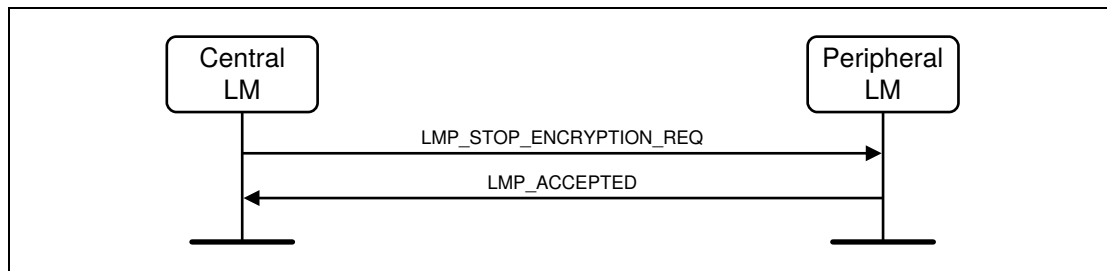
1. Central is configured to transmit unencrypted packets and to receive encrypted packets.
2. Peripheral is configured to transmit and receive encrypted packets.
3. Central is configured to transmit and receive encrypted packets.

Between step 1 and step 2, Central-to-Peripheral transmission is possible. This is when an LMP_START_ENCRYPTION_REQ PDU is transmitted. Step 2 is triggered when the Peripheral receives this message. Between step 2 and step 3, Peripheral-to-Central transmission is possible. This is when an LMP_ACCEPTED PDU is transmitted. Step 3 is triggered when the Central receives this message.

4.2.5.4 Stop encryption

To stop encryption a device shall send an LMP_ENCRYPTION_MODE_REQ PDU with the parameter Encryption_Mode equal to 0 (no encryption). The other device responds with an LMP_ACCEPTED PDU or an LMP_NOT_ACCEPTED PDU (the procedure is described in Sequence 43 in Section 4.2.5.1). If accepted, encryption shall be stopped by the Central sending an LMP_STOP_ENCRYPTION_REQ PDU and the Peripheral shall respond with an LMP_ACCEPTED PDU according to Sequence 47.

If encryption has been paused, then this sequence shall not be used.



Sequence 47: Stop encryption

Stopping encryption shall be performed in three steps, similar to the procedure for starting encryption.

1. Central is configured to transmit encrypted packets and to receive unencrypted packets.
2. Peripheral is configured to transmit and receive unencrypted packets.
3. Central is configured to transmit and receive unencrypted packets.

Between step 1 and step 2 Central to Peripheral transmission is possible. This is when an LMP_STOP_ENCRYPTION_REQ PDU is transmitted. Step 2 is triggered when the Peripheral receives this message. Between step 2 and step 3 Peripheral to Central transmission is possible. This is when an LMP_ACCEPTED PDU is transmitted. Step 3 is triggered when the Central receives this message.

4.2.5.5 Pause encryption

For E0 encryption:

- To pause encryption without disabling encryption, a device shall finalize the transmission of the current ACL-U data packet and then send an LMP_PAUSE_ENCRYPTION_REQ PDU (with the transaction ID set to the role of the device at the time the LMP_PAUSE_ENCRYPTION_REQ PDU is sent).

For AES-CCM encryption:

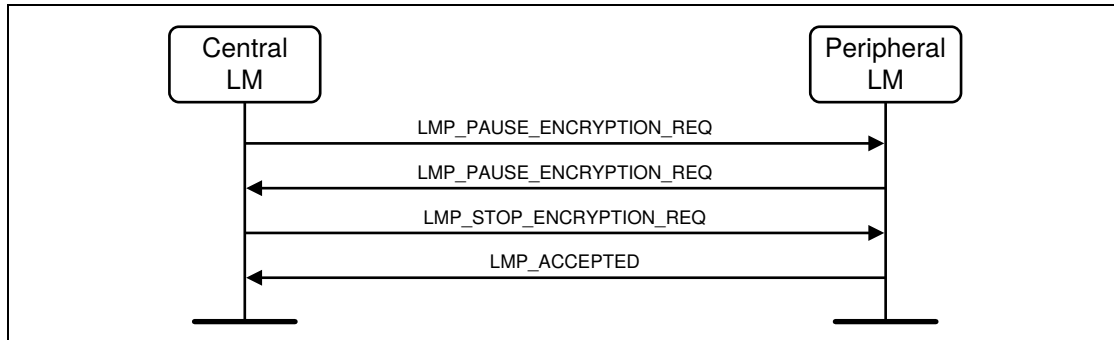
- To pause encryption without disabling encryption, a device shall finalize the transmission of the current ACL-U data packet and then send an LMP_PAUSE_ENCRYPTION_AES_REQ PDU (with the transaction ID set to the role of the device at the time the LMP_PAUSE_ENCRYPTION_AES_REQ PDU is sent). The LMP_PAUSE_ENCRYPTION_AES_REQ PDU includes a random number EN_RAND.

If the responding device is a Central, then the Central shall finalize the transmission of the current ACL-U data packet and then respond with an LMP_STOP_ENCRYPTION_REQ PDU to the Peripheral.

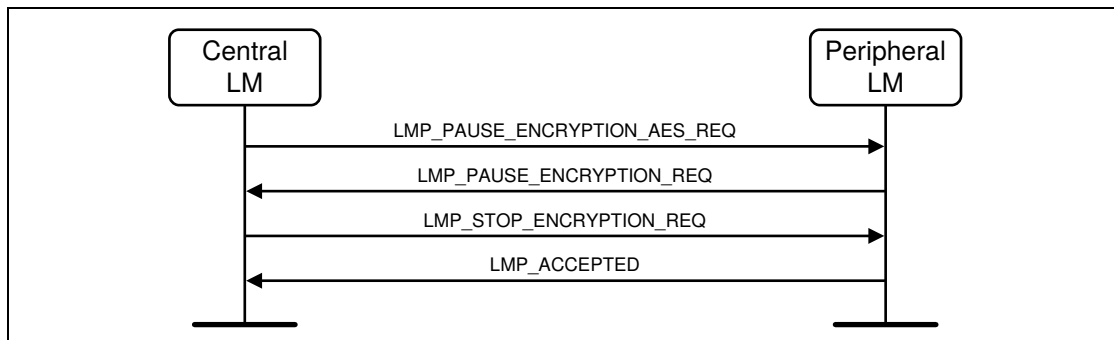


If the responding device is a Peripheral, then the Peripheral shall finalize the transmission of the current ACL-U data packet and then respond with an LMP_PAUSE_ENCRYPTION_REQ PDU. The Central shall respond to the LMP_PAUSE_ENCRYPTION_REQ PDU with an LMP_STOP_ENCRYPTION_REQ PDU to the Peripheral.

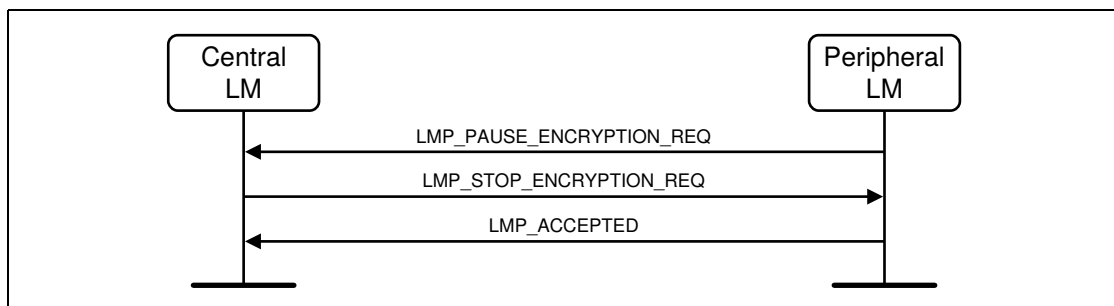
When the Peripheral receives the LMP_STOP_ENCRYPTION_REQ PDU it shall respond with an LMP_ACCEPTED PDU.



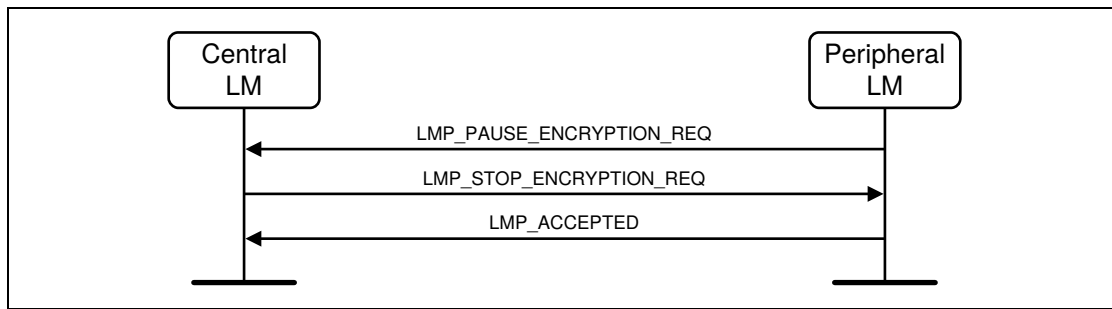
Sequence 48: Central-initiated pausing of encryption (E0)



Sequence 49: Central-initiated pausing of encryption (AES-CCM)



Sequence 50: Peripheral-initiated pausing of encryption (E0)



Sequence 51: Peripheral-initiated pausing of encryption (AES-CCM)

For E0 encryption:

- The LMP_PAUSE_ENCRYPTION_REQ PDU and LMP_STOP_ENCRYPTION_REQ PDU shall only be rejected when a transaction collision needs to be resolved.

For AES-CCM encryption:

- The LMP_PAUSE_ENCRYPTION_AES_REQ PDU and LMP_STOP_ENCRYPTION_REQ PDU shall only be rejected when a transaction collision needs to be resolved.

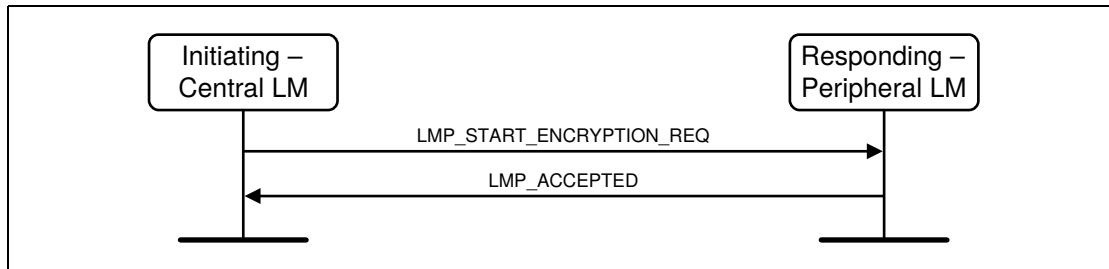
Pausing encryption shall be performed in three steps, similar to the procedure for stopping encryption.

1. Central is configured to transmit encrypted packets and to receive unencrypted packets.
2. Peripheral is configured to transmit and receive unencrypted packets.
3. Central is configured to transmit and receive unencrypted packets.

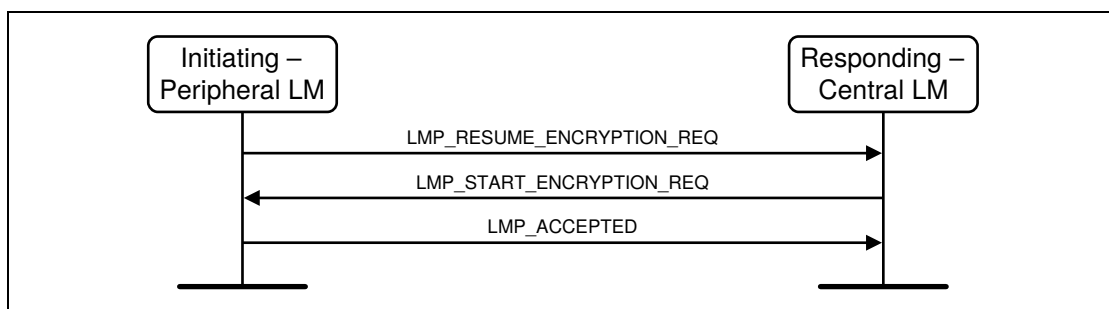
Between step 1 and step 2 Central-to-Peripheral transmission is possible. This is when the LMP_STOP_ENCRYPTION_REQ PDU is transmitted from the Central to the Peripheral. Step 2 is triggered when the Peripheral receives this message. Between step 2 and step 3 Peripheral-to-Central transmission is possible. This is when an LMP_ACCEPTED PDU is transmitted. Step 3 is triggered when the Central receives this message.

Note: A device can only restart ACL-U data traffic by resuming encryption using the procedures in [Section 4.2.5.6](#).

4.2.5.6 Resume encryption



Sequence 52: Initiating Central LM resumes encryption



Sequence 53: Initiating Peripheral LM resumes encryption

For E0 encryption:

- If the responding device is a Peripheral, then the Peripheral shall calculate the encryption key and respond with an LMP_ACCEPTED PDU.
- If the responding device is a Central, then the Central shall respond with an LMP_START_ENCRYPTION_REQ PDU. The Peripheral, upon receiving the LMP_START_ENCRYPTION_REQ PDU from the Central, shall calculate the encryption key and respond with an LMP_ACCEPTED PDU.

For AES-CCM encryption:

- If the resume encryption was the result of a Change Connection Link Key procedure, the LMs shall calculate a new encryption key using the h3 algorithm (see [Vol 2] Part H, Section 7.7.6).
- If the responding device is a Peripheral, then the Peripheral shall respond with an LMP_ACCEPTED PDU.
- If the responding device is a Central, then the Central shall respond with an LMP_START_ENCRYPTION_REQ PDU. The Peripheral, upon receiving the LMP_START_ENCRYPTION_REQ PDU from the Central, shall respond with an LMP_ACCEPTED PDU.

Note: When AES-CCM is used, the EN_RANDOM value in the LMP_START_ENCRYPTION_REQ PDU is not used.



The LMP_RESUME_ENCRYPTION_REQ PDU and the LMP_START_ENCRYPTION_REQ PDU shall not be rejected.

Resuming encryption shall be performed in three steps, similar to the procedure for starting encryption:

1. Central is configured to transmit unencrypted packets and to receive encrypted packets.
2. Peripheral is configured to transmit and receive encrypted packets.
3. Central is configured to transmit and receive encrypted packets.

Between step 1 and step 2, Central-to-Peripheral transmission is possible. This is when the LMP_START_ENCRYPTION_REQ PDU is transmitted from the Central. Step 2 is triggered when the Peripheral receives this message. Between step 2 and step 3, Peripheral-to-Central transmission is possible. This is when an LMP_ACCEPTED PDU is transmitted. Step 3 is triggered when the Central receives this message.

Note: For a Peripheral-initiated resumption of encryption, step 1 is not started when the Central has received the LMP_RESUME_ENCRYPTION_REQ PDU from the Peripheral, but when the Central sends the LMP_START_ENCRYPTION_REQ PDU.

Once encryption has been resumed, the device shall restart ACL-U traffic.

4.2.5.7 Change encryption key or random number

If the encryption key or encryption random number need to be changed, or if the current link key needs to be changed according to the procedures in [Section 4.2.3](#) and [Section 4.2.4](#), encryption shall be paused and resumed after completion, using the procedures in [Section 4.2.5.5](#) and [Section 4.2.5.6](#), for the new parameters to be valid. If the Pause Encryption feature is not supported by both devices, encryption shall be stopped and re-started after completion, using the procedures in [Section 4.2.5.3](#) and [Section 4.2.5.4](#), for the new parameters to be valid.

4.2.5.8 Encryption key refresh

When E0 encryption is used, the Link Manager shall refresh the encryption key within 2^{28} ticks of the Bluetooth clock from the previous start or resume of encryption. When AES-CCM encryption is used, the Link Manager shall refresh the encryption key before either the PayloadCounter or dayCounter roll over (at least 2^{38} ticks of the Bluetooth clock from the previous start of encryption). To refresh the encryption key, the Link Manager shall Pause encryption using the procedure in [Section 4.2.5.5](#) and immediately Resume encryption using the procedure in [Section 4.2.5.6](#).

If the encryption key has not been refreshed before the rollover event, the link shall be terminated immediately.



4.2.6 Request supported encryption key size

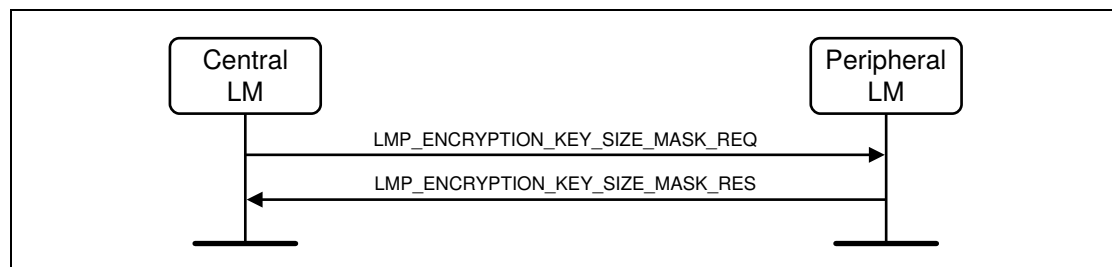
It is possible for the Central to request a Peripheral's supported encryption key sizes.

M/O	PDU	Contents
O(23)	LMP_ENCRYPTION_KEY_SIZE_MASK_REQ	<i>none</i>
O(23)	LMP_ENCRYPTION_KEY_SIZE_MASK_RES	Key_Size_Mask

Table 4.22: Encryption key size request PDU

The Central shall send an LMP_ENCRYPTION_KEY_SIZE_MASK_REQ PDU to the Peripheral to obtain the Peripheral's supported encryption key sizes.

The Peripheral shall return a bit mask indicating all broadcast encryption key sizes supported. The least significant bit shall indicate support for a key size of 1, the next most significant bit shall indicate support for a key size of 2 and so on up to a key size of 16. In all cases a bit set to 1 shall indicate support for a key size; a bit set to 0 shall indicate that the key size is not supported.



Sequence 54: Request for supported encryption key sizes

4.2.7 Secure Simple Pairing

There are four stages defined in the Secure Simple Pairing LM process:

- IO capabilities exchange
- Public key exchange
- Authentication stage 1
- Authentication stage 2

The devices shall first exchange the IO capabilities to determine the proper algorithm to be used. Three algorithms have been specified: Numeric comparison, Passkey entry, Out of band.

In following sections, the device requesting the IO capabilities is referred to as the "Initiating LM" or "Initiator". The other device is referred to as the "LM" or



"Responder". This designation remains throughout the entire Secure Simple Pairing procedure.

M/O	PDU	Contents
O(51)	LMP_IO_CAPABILITY_REQ	IO_Capabilities, OOB_Auth_Data, Authentication_Requirements
O(51)	LMP_IO_CAPABILITY_RES	IO_Capabilities, OOB_Auth_Data, Authentication_Requirements
O(51)	LMP_SIMPLE_PAIRING_CONFIRM	Commitment_Value
O(51)	LMP_SIMPLE_PAIRING_NUMBER	Nonce_Value
O(51)	LMP_DHKEY_CHECK	Confirmation_Value
O(51)	LMP_NUMERIC_COMPARISON_FAILED	<i>none</i>
O(51)	LMP_OOB_FAILED	<i>none</i>
O(51)	LMP_KEYPRESS_NOTIFICATION	Notification_Type
O(51)	LMP_PASSKEY_ENTRY_FAILED	<i>none</i>

Table 4.23: Secure simple pairing PDUs

4.2.7.1 IO capability exchange

The Link Managers shall use the local and remote IO capabilities to determine which association model shall be used.

If Simple_Pairing_Mode is set to enabled, the Initiator shall request the IO capabilities from the Host. The initiator shall send an LMP_IO_CAPABILITY_REQ PDU to the Responder. If Simple_Pairing_Mode is set to enabled on the responding device, it shall reply with an LMP_IO_CAPABILITY_RES PDU containing its IO capabilities description.

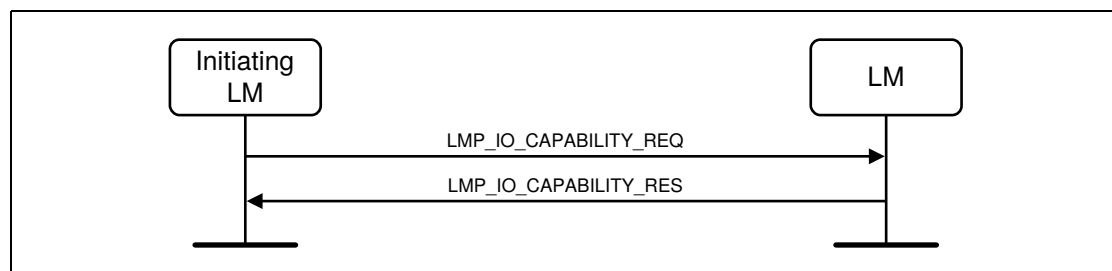


The OOB_Auth_Data parameter shall be set as shown in Table 4.24.

		Local Device		
		Does not support Secure Connections	Supports Secure Connections	
Remote Device	Does not have OOB Data	No OOB Data Received	No OOB Data Received	
	Does not support Secure Connections. P-192 OOB Data Available	OOB Data Received	OOB Data Received	
	Supports Secure Connections	Only P-192 OOB Data Available	OOB Data Received	No OOB Data Received
		P-192 OOB Data and P-256 OOB Data Available	OOB Data Received ¹	OOB Data Received
		Only P-256 OOB Data Available	No OOB Data Received ¹	OOB Data Received

Table 4.24: Setting the OOB_Auth_Data parameter

1. A device that does not support Secure Connections cannot generate P-256 OOB data.

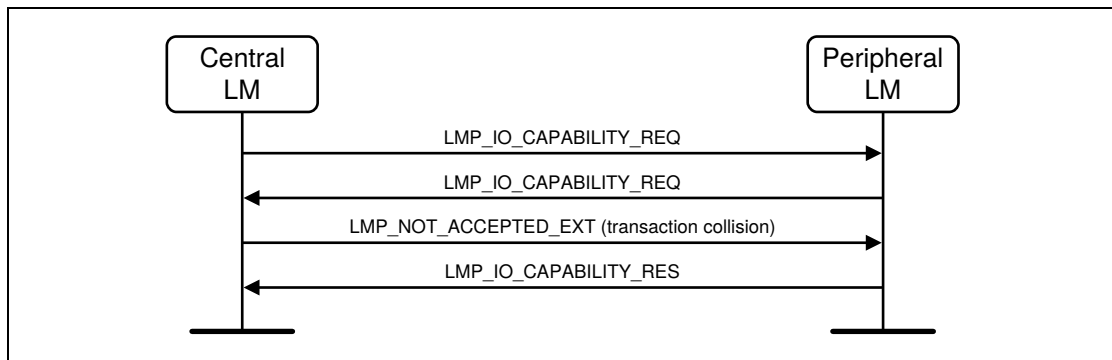


Sequence 55: IO capability exchange

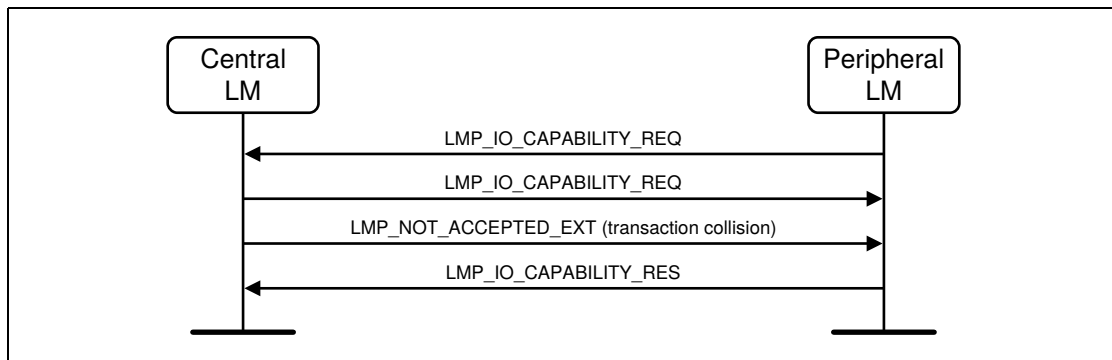
4.2.7.1.1 IO capability exchange transaction collision and resolution

If both Link Managers attempt to become the initiator of the IO capability exchange, the Central’s Link Manager shall send an LMP_NOT_ACCEPTED_EXT PDU with Error_Code LMP Error Transaction Collision / LL Procedure Collision (0x23). The Peripheral’s Link Manager shall respond with the LMP_IO_CAPABILITY_RES PDU.

The Central’s LM shall remain the initiating LM for the remainder of the Secure Simple Pairing sequences.



Sequence 56: IO capability exchange with transaction collision (Central transmitting LMP_IO_CAPABILITY_REQ first) and resolution



Sequence 57: IO capability exchange with transaction collision (Peripheral transmitting LMP_IO_CAPABILITY_REQ first) and resolution

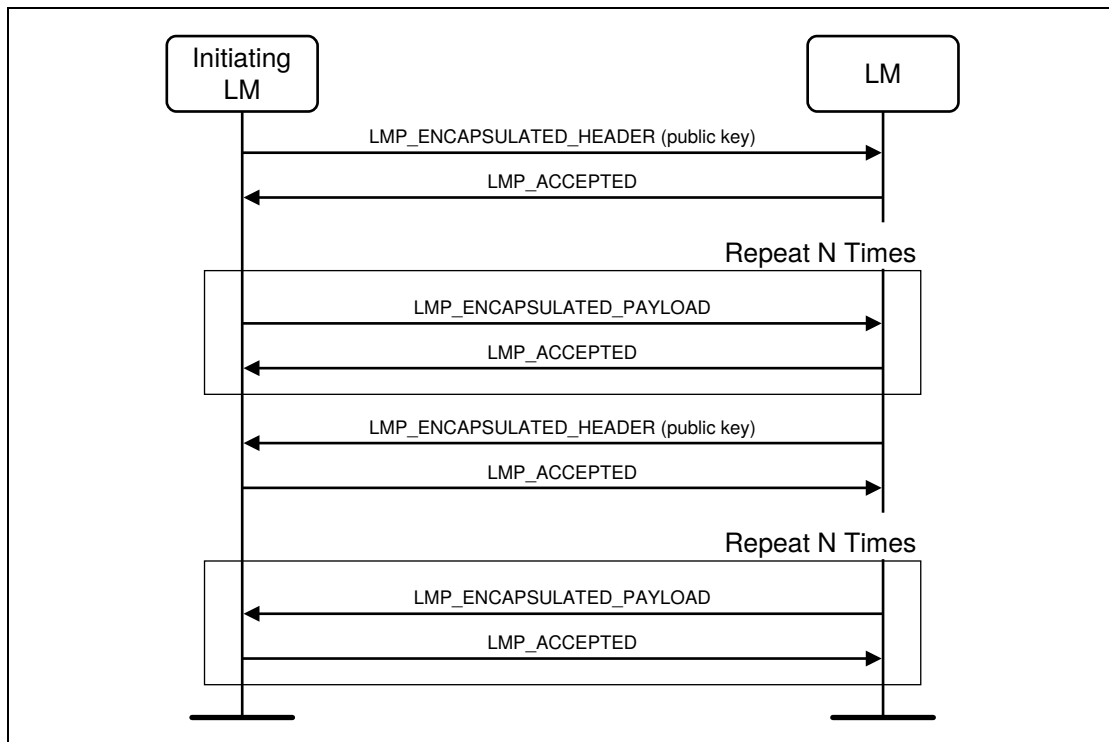
4.2.7.2 Public key exchange

Once the IO capabilities are exchanged, public keys shall be exchanged between the two devices.

Since the public key size is longer than the payload body length of a DM1 packet, the exchange shall be done using the LMP_ENCAPSULATED_HEADER and LMP_ENCAPSULATED_PAYLOAD PDUs as defined in [Section 4.1.12](#).

When at least one device does not support Secure Connections, the P-192 curve shall be used for calculating the public and private keys. When both devices support Secure Connections, the P-256 curve shall be used for calculating the public and private keys.

The Initiator shall first send its public key, and the Responder shall reply with its public key.



Sequence 58: Public key exchange

A public key shall be considered as received when the last LMP_ENCAPSULATED_PAYLOAD has been received and the associated LMP_ACCEPTED PDU has been sent.

The device can then start computing its Diffie Hellman Key.

4.2.7.3 Authentication stage 1

One of the following procedures shall be used in Authentication stage 1:

- If one or both devices have the OOB_Auth_Data parameter set to Received, the Out-of-Band procedure shall be used.
- If both devices have the Authentication_Requirements parameter set to one of the man-in-the middle (MITM) Protection Not Required options, the Numeric Comparison procedure shall be used.
- If one or both devices have the Authentication_Requirements parameter set to one of the MITM Protection Required options, the Passkey Entry procedure shall be used if the either the local or remote IO Capability is set to KeyboardOnly and the other IO capability is not set to NoInputNoOutput. Otherwise, the Numeric Comparison authentication procedure shall be used.

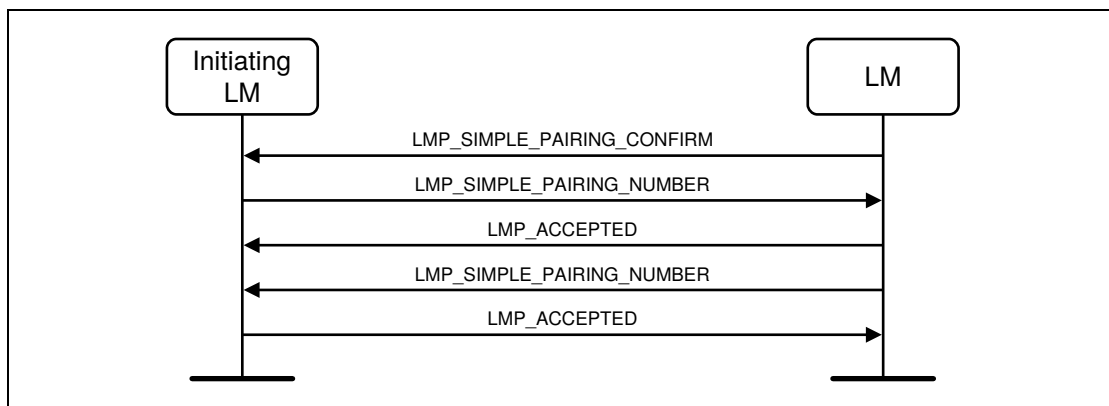
4.2.7.3.1 Authentication stage 1: Numeric Comparison

Once public keys have been exchanged, both devices shall generate a random number.



The Responder shall compute its commitment as defined in [Vol 2] Part H, Section 7.7.1, and shall send this value to the Initiator by using LMP_SIMPLE_PAIRING_CONFIRM PDU. The Initiator shall then send an LMP_SIMPLE_PAIRING_NUMBER PDU with its generated random number. The Responder shall acknowledge by sending an LMP_ACCEPTED PDU.

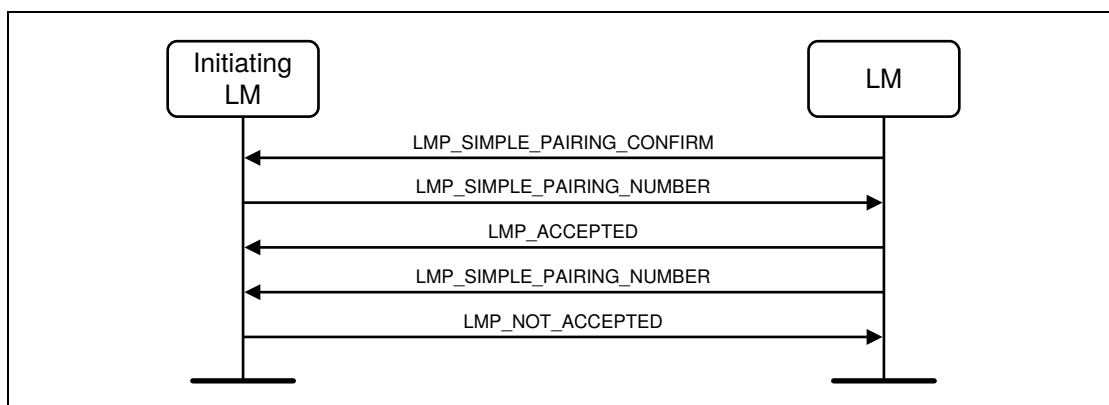
The Responder shall then send an LMP_SIMPLE_PAIRING_NUMBER containing its own generated random number. Upon reception, the Initiator shall calculate the commitment as defined in [Vol 2] Part H, Section 7.7.1 and compare it to the one received previously with the LMP_SIMPLE_PAIRING_CONFIRM PDU. If both values are equal, the Initiator shall respond with an LMP_ACCEPTED PDU.



Sequence 59: Numeric Comparison Authentication: Commitment check success

4.2.7.3.1.1 Commitment check failure

If the calculated commitment by the Initiator is not equal to the received commitment, the Initiator shall abort the Secure Simple Pairing process by sending an LMP_NOT_ACCEPTED PDU with reason "Authentication Failure."



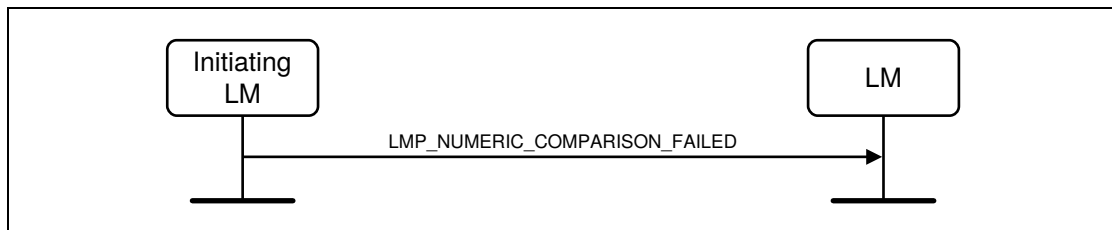
Sequence 60: Numeric Comparison authentication: Commitment check failure



4.2.7.3.1.2 Numeric Comparison failure on Initiator side

If the user on the initiating side indicates that the confirm values do not match (as indicated by the HCI_User_Confirmation_Request_Negative_Reply command) the initiating LM shall send an LMP_NUMERIC_COMPARISON_FAILURE PDU.

The Secure Simple Pairing process shall then be aborted. The Link Managers shall not disconnect the connection.

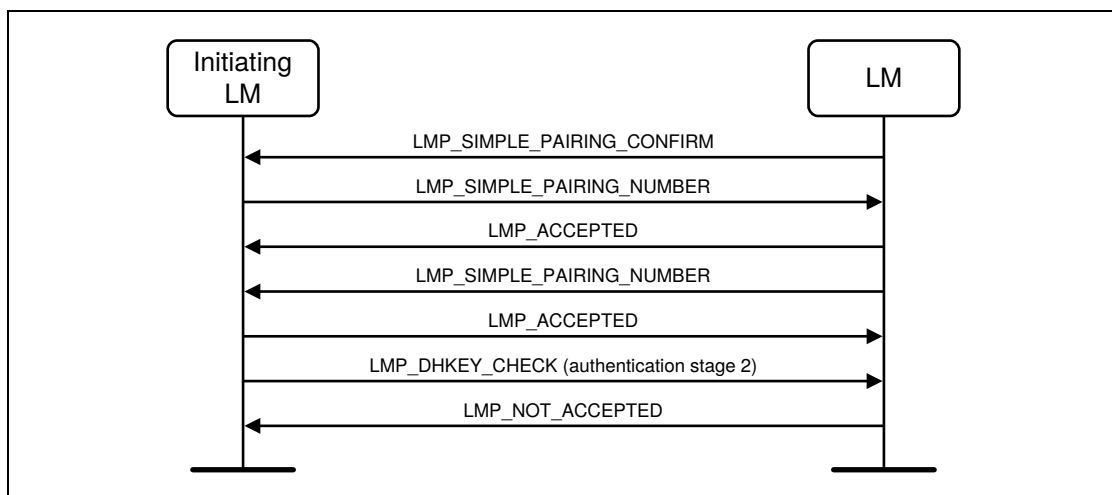


Sequence 61: Authentication stage 1: Numeric Comparison failure on Initiator side

4.2.7.3.1.3 Numeric Comparison failure on Responder side

If the user on the responding side indicates that the confirm values do not match (as indicated by the HCI_User_Confirmation_Request_Negative_Reply command) the responding LM shall send an LMP_NOT_ACCEPTED PDU in response to the LMP_DHKEY_CHECK PDU.

The Secure Simple Pairing process shall then be aborted. The Link Managers shall not disconnect the connection.



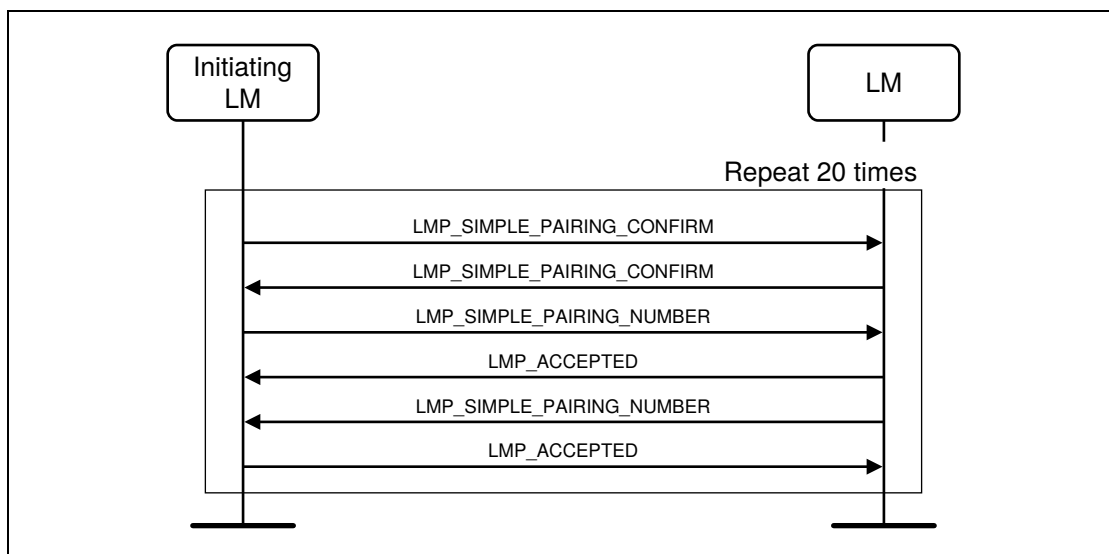
Sequence 62: Authentication stage 1: Numeric Comparison failure on Responder side



4.2.7.3.2 Authentication stage 1: Passkey Entry Authentication

The initiating LM shall start the following procedure after receiving the Passkey Reply from the Host. This procedure shall be repeated 20 times:

1. The Initiator and the Responder shall generate a new random number.
2. The Initiator and the Responder shall calculate the local commitment value using the exchanged public keys, the local random number, and the passkey from the local Host, according to [Vol 2] Part H, Section 7.7.1.
3. The Initiator shall send an LMP_SIMPLE_PAIRING_CONFIRM PDU with the commitment it calculated in step 2.
4. The Responder shall respond with an LMP_SIMPLE_PAIRING_CONFIRM PDU with the commitment it calculated in step 2.
5. The Initiator shall then send an LMP_SIMPLE_PAIRING_NUMBER PDU with the random number it generated in step 1.
6. The Responder shall then calculate commitment from the exchanged public keys, the random number it received and the passkey from the local Host, according to [Vol 2] Part H, Section 7.7.1. If the calculated commitment and the received commitment are equal, the Responder shall reply with an LMP_ACCEPTED PDU.
7. The Responder shall then send an LMP_SIMPLE_PAIRING_NUMBER PDU with the random value it generated in step 1.
8. The Initiator shall calculate the commitment using the exchanged public keys, the random number it received, and the passkey from the local Host, according to [Vol 2] Part H, Section 7.7.1. If the calculated commitment is equal to the received commitment, the Initiator shall reply with an LMP_ACCEPTED PDU.



Sequence 63: Authentication passkey entry

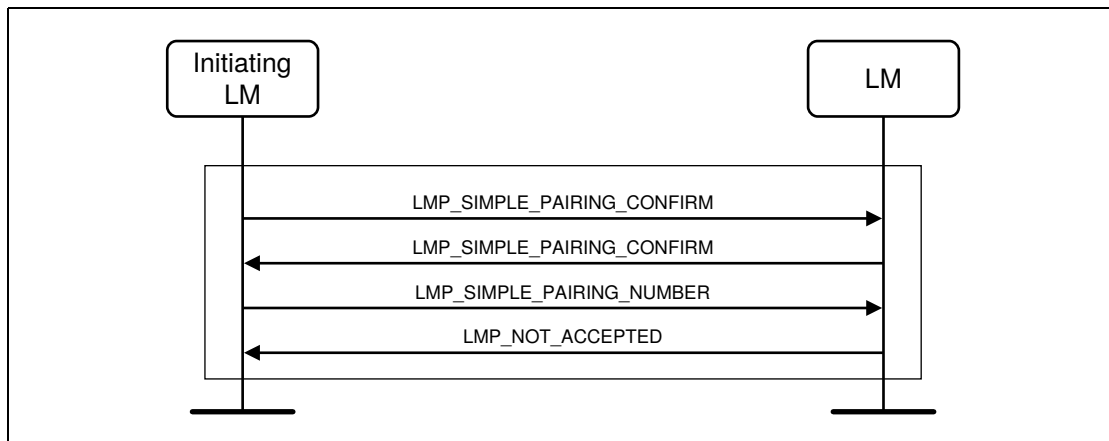


When this procedure has successfully passed 20 times, the Secure Simple Pairing process continues with the Authentication step 2 as described in [Section 4.2.7.4](#).

4.2.7.3.2.1 Commitment check failure on the Responder side

If during one of the 20 repetitions, the commitment calculated by the Responder is not equal to the one received from the Initiator (step 6), the Responder shall abort the Secure Simple Pairing process by sending an LMP_NOT_ACCEPTED PDU with reason "Authentication Failure."

Secure Simple Pairing procedures shall then be aborted. The Link Managers shall not disconnect the connection.

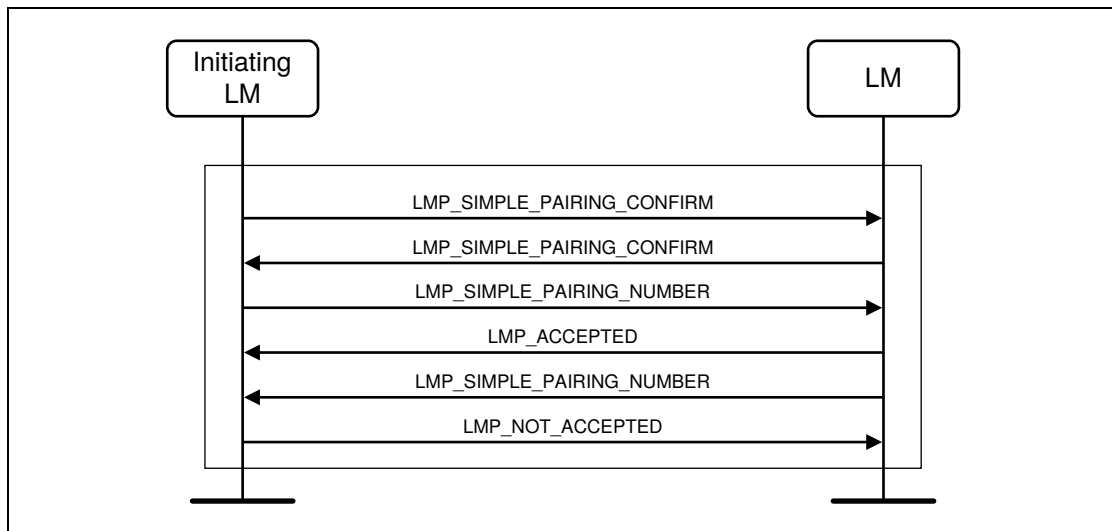


Sequence 64: Authentication passkey entry: Commitment check failure on the Responder side

4.2.7.3.2.2 Commitment check failure on the Initiator side

If during one of the 20 repetitions, the commitment calculated by the Initiator is not equal to the one received from the Responder (step 8), the Initiator shall abort the Secure Simple Pairing process by sending an LMP_NOT_ACCEPTED PDU with reason "Authentication Failure".

Secure Simple Pairing procedures shall then be aborted. The Link Managers shall not disconnect the connection.

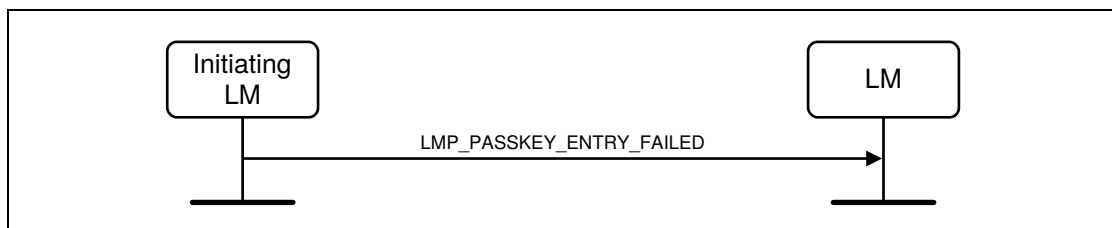


Sequence 65: Authentication passkey entry: Commitment check failure on the Initiator side

4.2.7.3.2.3 Passkey Entry failure on Initiator side

If the initiating side indicates that the passkey was not entered or canceled (as indicated by the HCI_User_Passkey_Request_Negative_Reply command) the initiating LM shall send an LMP_PASSKEY_ENTRY_FAILED PDU.

Secure Simple Pairing process shall then be aborted. The Link Managers shall not disconnect the connection.

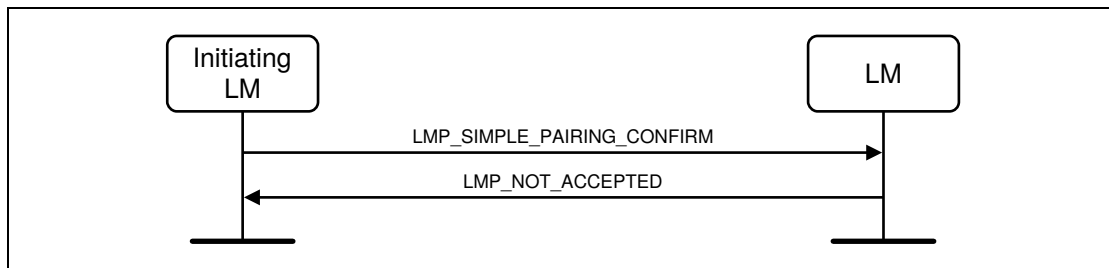


Sequence 66: Authentication stage 1: Passkey Entry failure on Initiator side

4.2.7.3.3 Passkey Entry failure on Responding side

If the responding side indicates that the passkey was not entered or canceled (as indicated by the HCI_User_Passkey_Request_Negative_Reply command), the responding LM shall send an LMP_NOT_ACCEPTED PDU in response to the LMP_SIMPLE_PAIRING_CONFIG PDU.

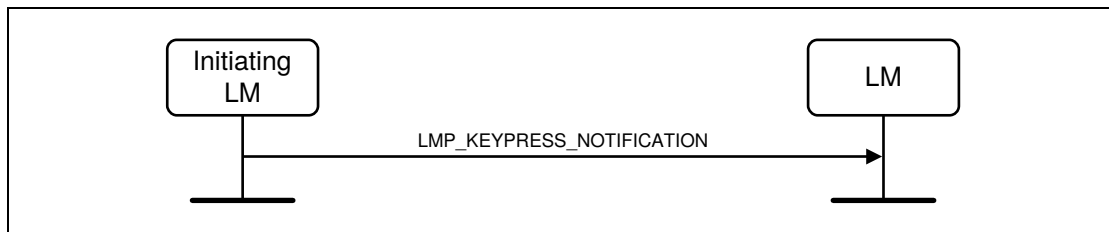
The Secure Simple Pairing process shall then be aborted. The Link Managers shall not disconnect the connection.



Sequence 67: Authentication stage 1: Passkey Entry failure on Responding side

4.2.7.3.4 Keypress notifications

A Controller that allows the Host to change its IO capabilities shall send notifications on key presses to the remote side using the LMP_KEYPRESS_NOTIFICATION PDU when the Host sets the IO capabilities to KeyboardOnly IO and when Secure Simple Pairing is supported on the Host and Controller.



Sequence 68: Keypress notifications

4.2.7.3.5 Authentication stage 1: OOB

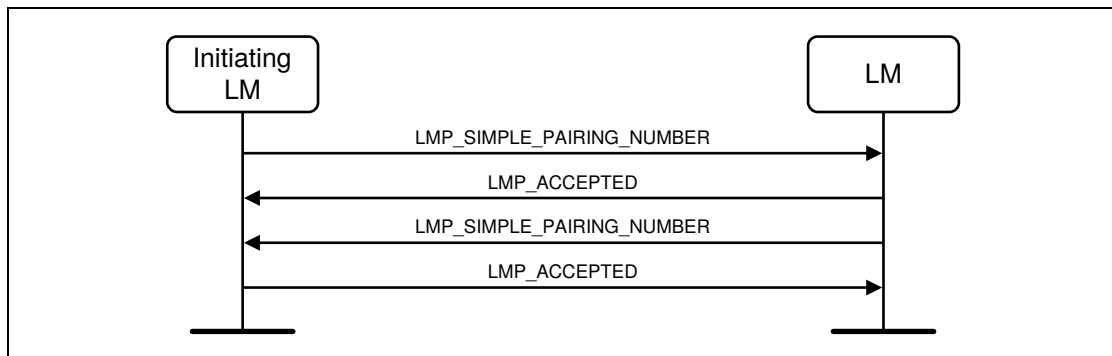
Upon reception of the OOB information (as defined in [Vol 2] Part H, Section 7.2.2) from the Host, the devices shall compare the received commitment from its Host, with the one calculated using the secret number received from the Host and the public key received from the remote device. If the local Host has not set the OOB Authentication Data Present, the LM shall set the remote secret number to zero and base the subsequent calculations on this value.

If the commitment check on the initiator is valid, the Initiator shall then generate a random number (nonce) and send it to the Responder using an LMP_SIMPLE_PAIRING_NUMBER PDU. If the commitment succeeds, the Responder shall acknowledge by sending an LMP_ACCEPTED PDU otherwise it shall send an LMP_NOT_ACCEPTED PDU. The Responder shall then generate a random number (nonce) and send it to the Initiator using an LMP_SIMPLE_PAIRING_NUMBER PDU. If the commitment succeeds, the Initiator shall acknowledge by sending an LMP_ACCEPTED PDU otherwise it shall send an LMP_NOT_ACCEPTED PDU.

If the commitment values don't match in the Initiator, the procedure in Section 4.2.7.3.5.2 shall apply.



If the commitment values don't match in the Responder, the procedure in [Section 4.2.7.3.5.1](#) shall apply.



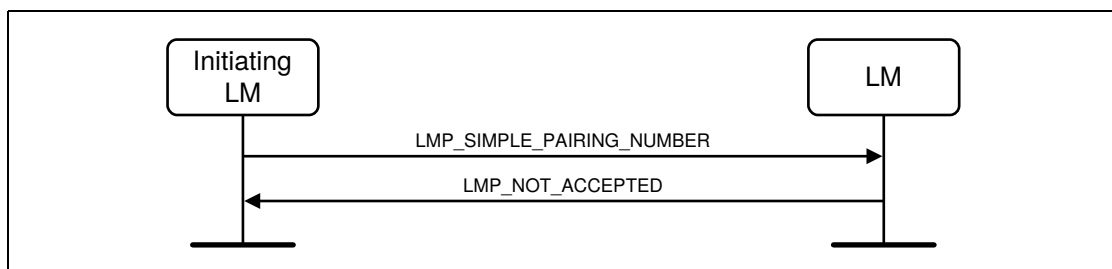
Sequence 69: Authentication OOB: Only one device is OOB-r capable

When these operations have been passed successfully, Secure Simple Pairing procedures continue with Authentication step 2 as described in [Section 4.2.7.4](#).

4.2.7.3.5.1 Commitment check failure on the Responder side

If the commitment received OOB from the Host is not equal to the calculated commitment, the Responder shall send an LMP_NOT_ACCEPTED PDU with reason "Authentication Failure" in response to the LMP_SIMPLE_PAIRING_NUMBER PDU.

Secure Simple Pairing process shall then be aborted. The Link Managers shall not disconnect the connection.

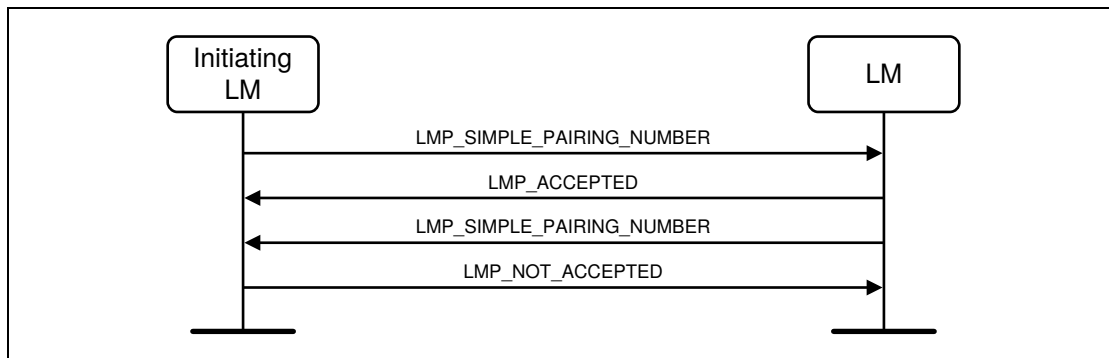


Sequence 70: Authentication stage 1 OOB: Commitment check failure on the Responder side

4.2.7.3.5.2 Commitment check failure on the Initiator side

If the commitment received OOB from the Host is not equal to the calculated commitment, the Initiator shall send an LMP_NOT_ACCEPTED PDU with reason "Authentication Failure" in response to the LMP_SIMPLE_PAIRING_NUMBER PDU.

Secure Simple Pairing process shall then be aborted. The Link Managers shall not disconnect the connection.

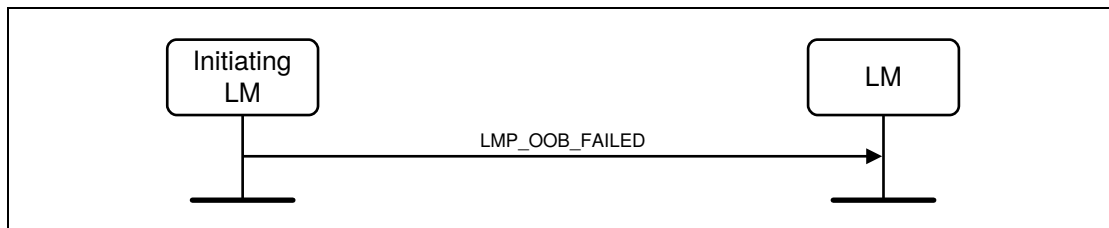


Sequence 71: Authentication stage 1 OOB: Commitment check failure on the Initiator side

4.2.7.3.6 Out-of-band information not available on the Initiator side

If the Host on the initiating side does not have out-of-band information the Initiator shall send an LMP_OOB_FAILED PDU.

The Secure Simple Pairing process shall then be aborted. The Link Managers shall not disconnect the connection.



Sequence 72: Authentication stage 1 OOB: OOB information not available on the Initiator side

4.2.7.4 Authentication stage 2: DHKey check

At this stage, both devices compute new confirmation values based on Diffie-Hellman key and previously exchanged information according to [Vol 2] Part H, Section 7.7.4.

The Initiator shall send an LMP_DHKEY_CHECK PDU to the Responder. If the Initiator has determined that the received public key is invalid (see [Vol 2] Part H, Section 7.6), the PDU should include a value that is different from the computed confirmation value (for example, substituting a randomly generated number). Otherwise, the PDU shall include the computed confirmation value.

Upon reception, if the received value is not equal to the one calculated according to [Vol 2] Part H, Section 7.7.4, then the Responder shall follow the procedure in Section 4.2.7.4.1. If the values match, the Responder should follow the procedure in Section 4.2.7.4.1 if the received public key is invalid (see [Vol 2] Part H, Section 7.6). Otherwise it shall reply with an LMP_ACCEPTED PDU.



The Responder shall then send an LMP_DHKEY_CHECK PDU, including the confirmation value it has computed, to the Initiator. Upon reception, if the received value is not equal to the one calculated according to [Vol 2] Part H, Section 7.7.4, then the Initiator shall follow the procedure in Section 4.2.7.4.1. If the values match, the Initiator should follow the procedure in Section 4.2.7.4.1 if the received public key is invalid (see [Vol 2] Part H, Section 7.6). Otherwise it shall reply with an LMP_ACCEPTED PDU.

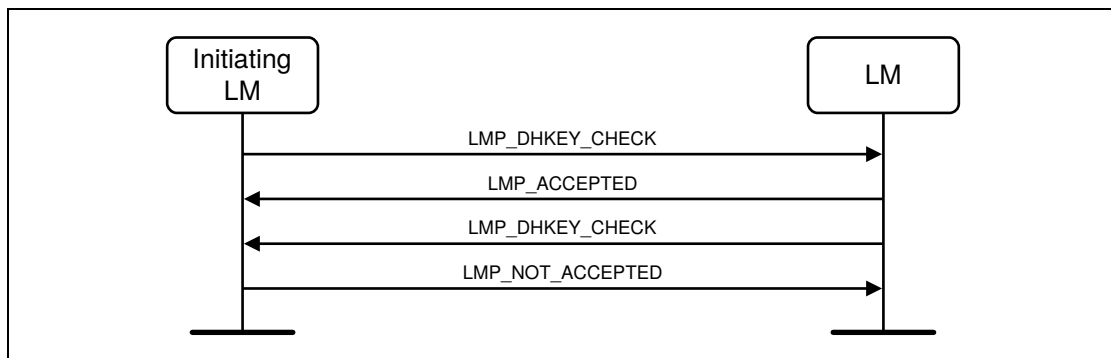
At this point, both devices shall compute the link key according to [Vol 2] Part H, Section 7.7.3.

If at least one device does not support both the Secure Connections (Controller Support) and the Secure Connections (Host Support) features, the Initiator shall then start standard mutual authentication as described in Section 4.2.1.1

If both devices support both the Secure Connections (Controller Support) and the Secure Connections (Host Support) features, the Initiator shall then start secure authentication as described in Section 4.2.1.4.

After secure authentication, if encryption is enabled, the initiating device shall pause and immediately resume encryption to produce a new encryption key.

Note: This will cause a new encryption key to be generated using the h3 function including the ACO created during the secure authentication process.



Sequence 73: DHKey check

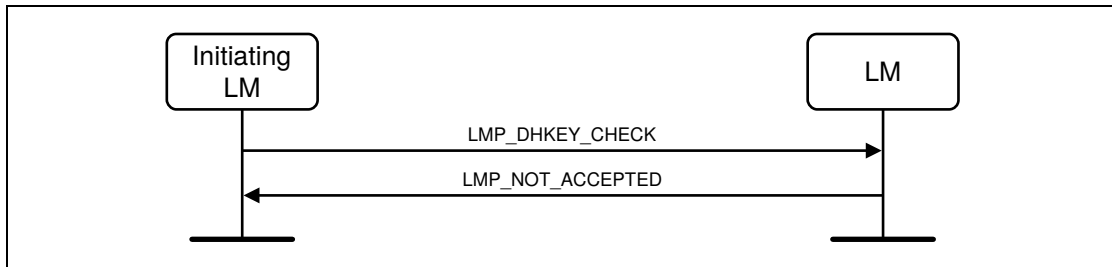
A device that detects an invalid public key (see [Vol 2] Part H, Section 7.6) from the peer at any point during the Secure Simple Pairing process shall fail the pairing process and therefore not create a link key.

4.2.7.4.1 Check failure

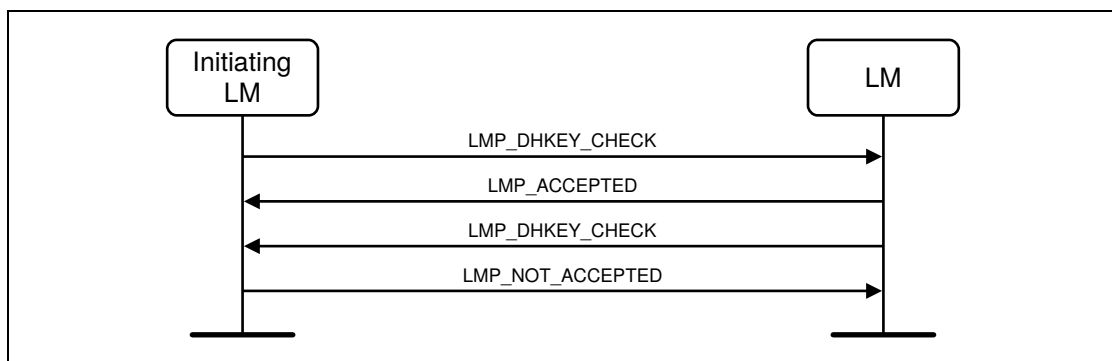
If either Link Manager receives a public key that is invalid (see [Vol 2] Part H, Section 7.6), it should send an LMP_NOT_ACCEPTED PDU with reason "Authentication Failure". If either Link Manager receives a confirmation value via LMP that is not equal to the one it has calculated according to [Vol 2] Part H, Section 7.7.4, it shall send an LMP_NOT_ACCEPTED PDU with reason "Authentication Failure".



The Secure Simple Pairing procedures shall then be aborted. The Link Managers shall not disconnect the connection.



Sequence 74: DHKey check: Check failure on the Responder side



Sequence 75: DHKey check: Check failure on the Initiator side

4.2.7.4.1.1 [This section is no longer used]

4.3 INFORMATIONAL REQUESTS

4.3.1 Timing accuracy

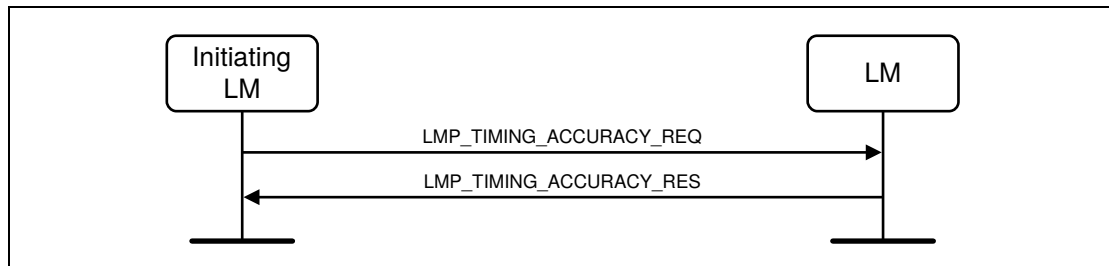
LMP supports requests for the timing accuracy. This information can be used to minimize the scan window during piconet physical channel re-synchronization (see [Vol 2] Part B, Section 2.2.5.2). The timing accuracy parameters returned are the long term drift measured in ppm and the long term jitter measured in μs of the worst case clock used. These parameters are fixed for a certain device and shall be identical when requested several times. Reported time accuracy shall not include changes caused by performing Piconet Clock Adjustment. If



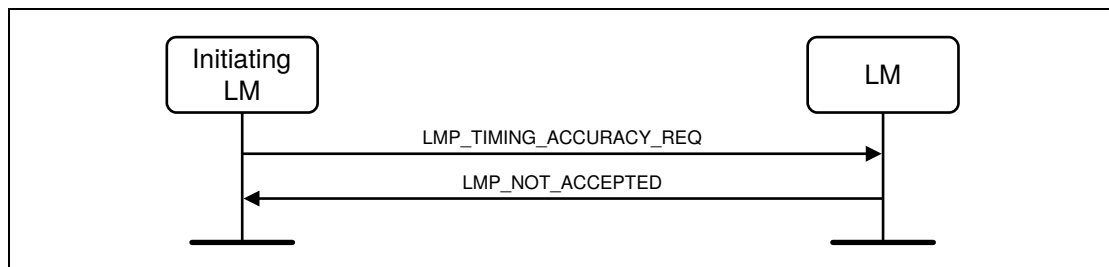
timing accuracy information has not been received from the remote device, the worst-case values (drift = 250 ppm and jitter = 10 μs) shall be used.

M/O	PDU	Contents
O(4)	LMP_TIMING_ACCURACY_REQ	<i>none</i>
O(4)	LMP_TIMING_ACCURACY_RES	Drift Jitter

Table 4.25: Request limited timing PDU



Sequence 76: The requested device supports timing accuracy information



Sequence 77: The requested device does not support timing accuracy information

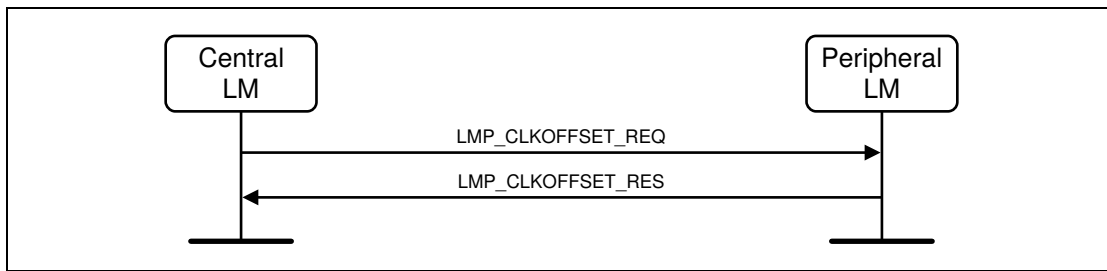
4.3.2 Clock offset

The clock offset can be used to speed up the paging time the next time the same device is paged. The Central can request the clock offset at anytime following a successful Baseband Paging procedure (i.e., before, during or after connection setup). The clock offset shall be defined by the following equation:

$$(\text{CLKN}_{16-2 \text{ Peripheral}} - \text{CLKN}_{16-2 \text{ Central}}) \bmod 2^{15}.$$

M/O	PDU	Contents
M	LMP_CLKOFFSET_REQ	<i>none</i>
M	LMP_CLKOFFSET_RES	Clock_Offset

Table 4.26: PDUs used for clock offset request



Sequence 78: Clock offset requested

4.3.3 LMP version

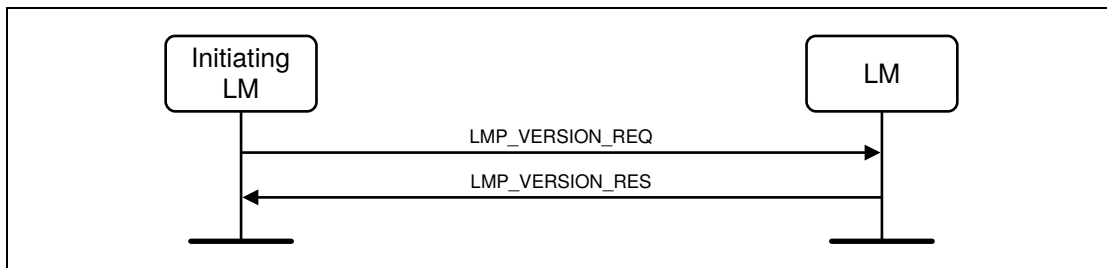
LMP supports requests for the version of the LM protocol. The LMP_VERSION_REQ and LMP_VERSION_RES PDUs contain three parameters: Version, Company_Identifier and Subversion. Version specifies the version of the Bluetooth LMP specification that the device supports. All companies that create a unique implementation of the LM shall have their own Company_Identifier. The same company is also responsible for the administration and maintenance of the Subversion. It is recommended that each company has a unique Subversion for each RF/BB/LM implementation. For a given Version and Company_Identifier, the values of the Subversion shall increase each time a new implementation is released. For both Company_Identifier and Subversion the value 0xFFFF means that no valid number applies. There is no ability to negotiate the version of the LMP. The sequence below is only used to exchange the parameters. LMP version can be requested at anytime following a successful Baseband Paging procedure.

Note: A given value for Version does not indicate that the device supports all the features in the corresponding version of the specification; the relevant feature bits (see Section 4.3.4) should be checked instead.

Note: A larger value for Version does not necessarily indicate a higher version of the specification.

M/O	PDU	Contents
M	LMP_VERSION_REQ	Version Company_Identifier Subversion
M	LMP_VERSION_RES	Version Company_Identifier Subversion

Table 4.27: PDUs used for LMP version request



Sequence 79: Request for LMP version

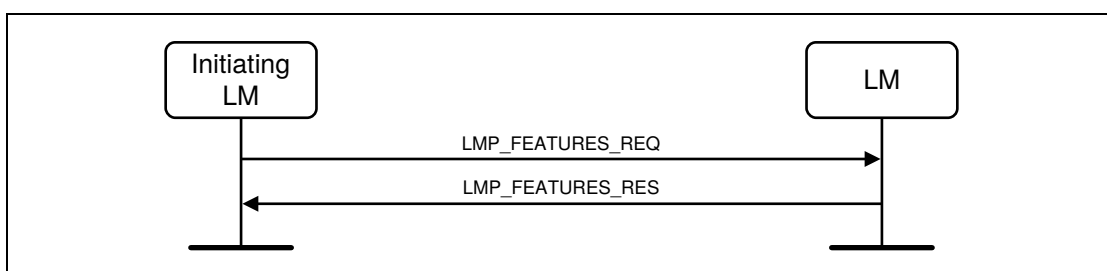
4.3.4 Supported features

The supported features may be requested at anytime following a successful Baseband Paging procedure by sending the LMP_FEATURES_REQ PDU. Upon reception of an LMP_FEATURES_REQ PDU, the receiving device shall return an LMP_FEATURES_RES PDU.

The extended features mask provides support for more than 64 features. Support for the extended features mask is indicated by the presence of the appropriate bit in the LMP features mask. The LMP_FEATURES_REQ_EXT and LMP_FEATURES_RES_EXT PDUs operate in precisely the same way as the LMP_FEATURES_REQ and LMP_FEATURES_RES PDUs except that they allow the various pages of the extended features mask to be requested. The LMP_FEATURES_REQ_EXT may be sent at any time following the exchange of the LMP_FEATURES_REQ and LMP_FEATURES_RSP PDUs.

The LMP_FEATURES_REQ_EXT PDU contains a Features_Page parameter that specifies which page is requested and the contents of that page for the requesting device. Pages are numbered from 0 to 255 with page 0 corresponding to the normal features mask. Each page consists of 64 bits. If a device does not support any page number it shall return an Extended_Features parameter with every bit set to 0. It also contains the maximum features page number containing any non-zero bit for this device. The recipient of an LMP_FEATURES_REQ_EXT PDU shall respond with an LMP_FEATURES_RES_EXT PDU containing the same page number and the appropriate features page along with its own maximum features page number.

If the extended features request is not supported then all bits in all extended features pages for that device shall be assumed to be zero.

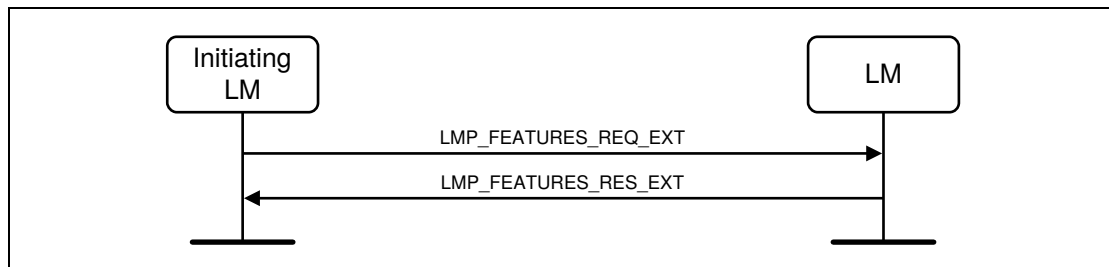


Sequence 80: Request for supported features



M/O	PDU	Contents
M	LMP_FEATURES_REQ	Features
M	LMP_FEATURES_RES	Features
O(63)	LMP_FEATURES_REQ_EXT	Features_Page Max_Supported_Page Extended_Features
O(63)	LMP_FEATURES_RES_EXT	Features_Page Max_Supported_Page Extended_Features

Table 4.28: PDUs used for features request



Sequence 81: Request for extended features

4.3.5 Name request

LMP supports name request to another device. The name is a user-friendly name associated with the device and consists of a maximum of 248 bytes coded according to the UTF-8 standard (more specifically, the type utf8{248z} defined in [Vol 1] Part E, Section 2.9.3). The name is fragmented over one or more DM1 packets. When an LMP_NAME_REQ PDU is sent, a Name_Offset indicates which fragment is expected. The corresponding LMP_NAME_RES PDU carries the same Name_Offset, the Name_Length indicating the total number of bytes in the name of the device and the Name_Fragment, where:

- Name_Fragment(N) = name(N + Name_Offset), if (N + Name_Offset) < Name_Length
- Name_Fragment(N) = 0, otherwise.

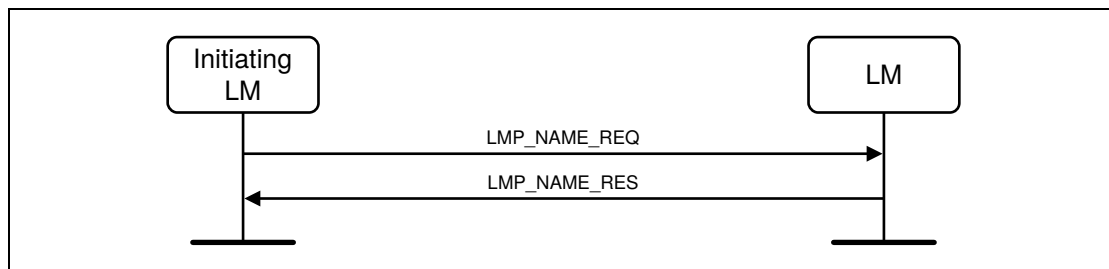
Here $0 \leq N \leq 13$. In the first sent LMP_NAME_REQ PDU, Name_Offset=0. Sequence 82 is then repeated until the initiator has collected all fragments of



the name. The name request may be made at any time following a successful Baseband Paging procedure.

M/O	PDU	Contents
M	LMP_NAME_REQ	Name_Offset
M	LMP_NAME_RES	Name_Offset Name_Length Name_Fragment

Table 4.29: Name request PDUs



Sequence 82: Request for device name

4.4 ROLE SWITCH

4.4.1 Slot offset

With LMP_SLOT_OFFSET the information about the difference between the slot boundaries in different piconets is transmitted. The LMP_SLOT_OFFSET PDU may be sent anytime after the Baseband Paging procedure has completed if the ACL logical transport is in Active mode and a synchronous logical transport is not being negotiated by the LM. This PDU carries the parameters Slot_Offset and BD_ADDR. The Slot_Offset shall be the time in microseconds from the start of a Central transmission in the current piconet to the start of the next following Central transmission in the piconet where the BD_ADDR device (normally the Peripheral) is Central at the time that the request is interpreted by the BD_ADDR device.

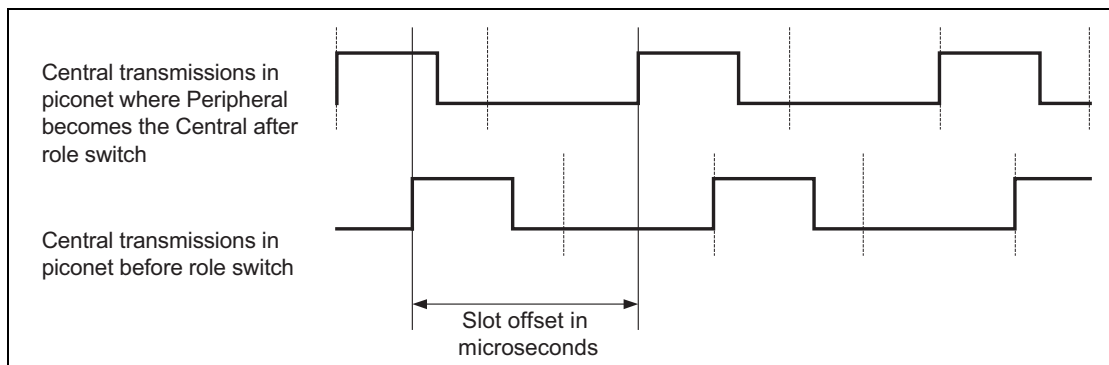


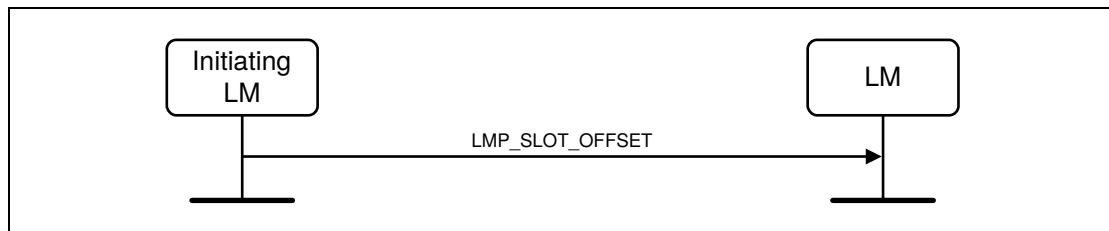
Figure 4.2: Slot offset for role switch



See [Section 4.4.2](#) for the use of LMP_SLOT_OFFSET in the context of the role switch. In the case of role switch the BD_ADDR is that of the Peripheral.

M/O	PDU	Contents
O(3)	LMP_SLOT_OFFSET	Slot_Offset BD_ADDR

Table 4.30: Slot offset PDU



Sequence 83: Slot offset information is sent

4.4.2 Role switch

Since the paging device always becomes the Central of the piconet, a role switch is sometimes needed; see [\[Vol 2\] Part B, Section 8.6.5](#). A role switch may be performed as part of connection establishment (see [Section 4.1.1](#)) or any time after connection establishment has completed.

The LMP_SWITCH_REQ shall be sent only if the ACL logical transport is in Active mode, encryption is stopped or paused, and all synchronous logical transports on the same physical link are disabled. LMP_SWITCH_REQ shall not be initiated or accepted while a synchronous logical transport is being negotiated by the LM.

M/O	PDU	Contents
O(5)	LMP_SWITCH_REQ	Switch_Instant
O(5)	LMP_SLOT_OFFSET	Slot_Offset BD_ADDR

Table 4.31: Role switch PDUs

Role switch is performed by an initiating device and a responding device.

First, the initiating LM shall pause traffic on the ACL-U logical link (see [\[Vol 2\] Part B, Section 5.3.1](#)). Next, if the Encryption_Mode is set to "encryption" then it shall initiate either the pause encryption sequence (see [Section 4.2.5.5](#).) if both devices support pausing encryption or the stop encryption sequence (see [Section 4.2.5.4](#)) otherwise. If it is the Peripheral, it shall next send an LMP_SLOT_OFFSET PDU. Finally, it shall send an LMP_SWITCH_REQ PDU.



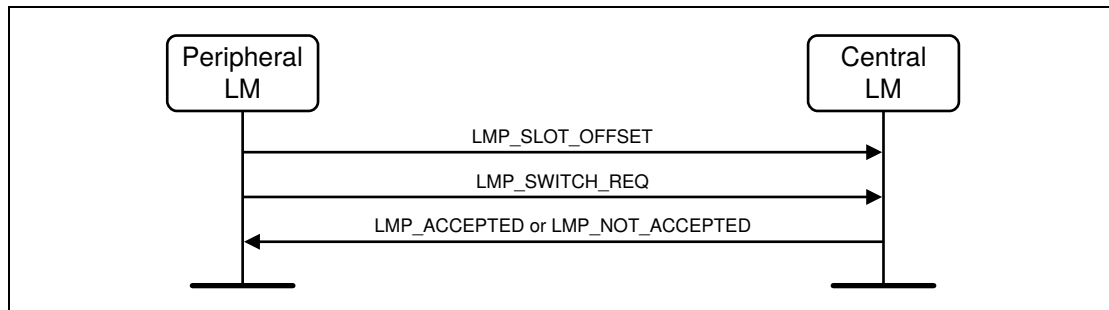
If the responding device accepts the role switch, then first it shall pause traffic on the ACL-U logical link if it is not already paused. If it is the Peripheral, it shall next send an LMP_SLOT_OFFSET PDU. Finally, it shall send an LMP_ACCEPTED PDU. The two devices shall then perform the Baseband Role Switch procedure. If it rejects the role switch, it shall send an LMP_NOT_ACCEPTED PDU.

When the role switch has been completed at the Baseband level (successfully or not), or has been rejected, then:

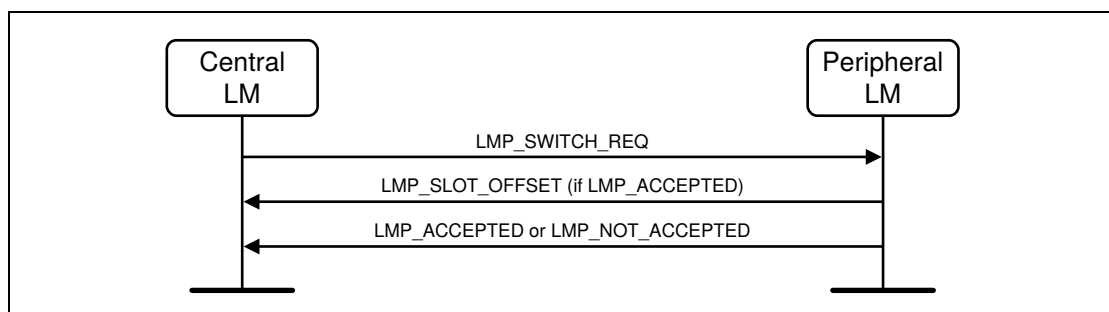
- If the initiating device had paused encryption, it shall initiate the resume encryption sequence (see Section 4.2.5.6). When AES-CCM encryption is used, the LMs shall calculate a new encryption key using the h3 algorithm (see [Vol 2] Part H, Section 7.7.6) with the BD_ADDRs for the new Central and Peripheral prior to resuming encryption.
- If the initiating device had stopped encryption, it shall initiate the start encryption sequence (see Section 4.2.5.3).

Both devices shall then re-enable transmission on the ACL-U logical link.

The transaction ID for the role switch PDUs in the sequence (LMP_SLOT_OFFSET and LMP_SWITCH_REQ along with the associated LMP_ACCEPTED or LMP_NOT_ACCEPTED) shall be set to 0 when the initiating device is the Central and 1 when it is the Peripheral.



Sequence 84: Role switch (Peripheral initiated)



Sequence 85: Role switch (Central initiated)



The LMP_SWITCH_REQ PDU contains a parameter, Switch_Instant, which specifies the instant at which the TDD switch is performed. This is specified as a Bluetooth clock value of the Central's clock, that is available to both devices. This instant is chosen by the sender of the message and shall be at least $2 \cdot T_{poll}$ or 32 (whichever is greater) slots in the future. The switch instant shall be within 12 hours of the current clock value to avoid clock wrap.

The sender of the LMP_SWITCH_REQ PDU selects the switch instant and queues the LMP_SWITCH_REQ PDU to LC for transmission and starts a timer to expire at the switch instant. When the timer expires it initiates the mode switch. In the case of a Central initiated switch if the LMP_SLOT_OFFSET PDU has not been received by the switch instant the role switch is carried out without an estimate of the Peripheral's slot offset. If an LMP_NOT_ACCEPTED PDU is received before the timer expires then the timer is stopped and the role switch shall not be initiated.

When the LMP_SWITCH_REQ is received the switch instant is compared with the Central's current clock value. If it is in the past then the instant has been passed and an LMP_NOT_ACCEPTED PDU with the Error_Code *Instant Passed (0x28)* shall be returned. If it is in the future then an LMP_ACCEPTED PDU shall be returned, assuming the role switch is accepted, and a timer is started to expire at the switch instant. When this timer expires the role switch shall be initiated.

After a successful role switch the supervision timeout and poll interval (T_{poll}) shall be set to their default values. The authentication state and the ACO shall remain unchanged. Adaptive Frequency Hopping shall follow the procedures described in [Vol 2] Part B, Section 8.6.5. The default value for Max_Slots shall be used.

A role switch, whether successful or failed, does not affect the state of the Link Manager and of the ACL-C and ACL-U logical links except where explicitly stated.

4.5 MODES OF OPERATION

4.5.1 Hold mode

The ACL logical transport of a connection between two Bluetooth devices can be placed in Hold mode for a specified hold time. See [Vol 2] Part B, Section 8.8 for details.

M/O	PDU	Contents
O(6)	LMP_HOLD	Hold_Time, Hold_Instant
O(6)	LMP_HOLD_REQ	Hold_Time, Hold_Instant

Table 4.32: Hold mode PDUs



The LMP_HOLD and LMP_HOLD_REQ PDUs both contain a parameter, Hold_Instant, that specifies the instant at which the hold becomes effective. This is specified as a Bluetooth clock value of the Central's clock, that is available to both devices. The hold instant is chosen by the sender of the message and should be at least $6 \cdot T_{poll}$ slots in the future. The hold instant shall be within 12 hours of the current clock value to avoid clock wrap.

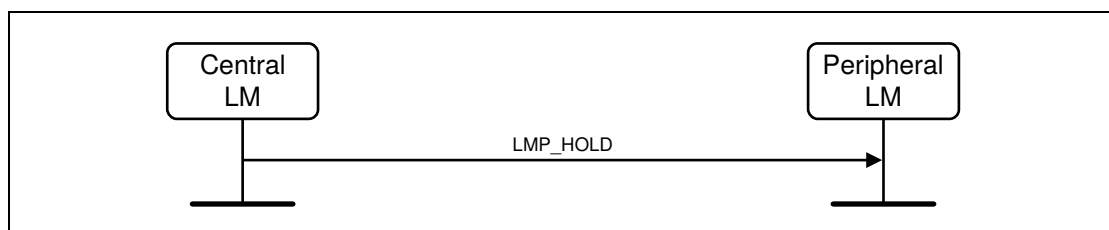
4.5.1.1 Central forces Hold mode

The Central may force Hold mode if there has previously been a request for Hold mode that has been accepted by the Peripheral. The hold time included in the PDU when the Central forces Hold mode shall not be longer than any hold time the Peripheral has previously accepted when there was a request for Hold mode.

The Central LM shall first pause traffic on the ACL-U logical link (see [Vol 2] Part B, Section 5.3.1). It shall select the hold instant and queue the LMP_HOLD PDU to its LC for transmission. It shall then start a timer to wait until the hold instant occurs. When this timer expires then the connection shall enter Hold mode. If the Baseband acknowledgment for the LMP_HOLD PDU is not received then the Central may enter Hold mode, but it shall not use its low accuracy clock during the hold.

When the Peripheral LM receives an LMP_HOLD PDU it compares the hold instant with the Central's current clock value. If it is in the future then it starts a timer to expire at this instant and enters Hold mode when it expires.

When the Central LM exits from Hold mode it re-enables transmission on the ACL-U logical link.



Sequence 86: Central forces Peripheral into Hold mode

4.5.1.2 Peripheral forces Hold mode

The Peripheral may force Hold mode if there has previously been a request for Hold mode that has been accepted by the Central. The hold time included in the PDU when the Peripheral forces Hold mode shall not be longer than any hold time the Central has previously accepted when there was a request for Hold mode.

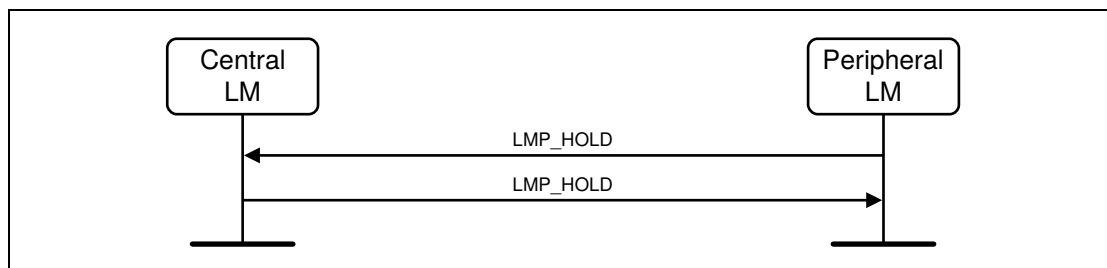
The Peripheral LM shall first complete the transmission of the current packet on the ACL logical transport and then shall suspend transmission on the ACL-



U logical link. It shall select the hold instant and queue the LMP_HOLD PDU to its LC for transmission. It shall then wait for an LMP_HOLD PDU from the Central acting according to the procedure described in [Section 4.5.1.1](#).

When the Central LM receives an LMP_HOLD PDU it shall pause traffic on the ACL-U logical link (see [\[Vol 2\] Part B, Section 5.3.1](#)). It shall then inspect the hold instant. If this is less than $6 \cdot T_{poll}$ slots in the future it shall modify the instant so that it is at least $6 \cdot T_{poll}$ slots in the future. It shall then send an LMP_HOLD PDU using the mechanism described in [Section 4.5.1.1](#).

When the Central and Peripheral LMs exit from Hold mode they shall re-enable transmission on the ACL-U logical link.



Sequence 87: Peripheral forces Central into Hold mode

4.5.1.3 Central or Peripheral requests Hold mode

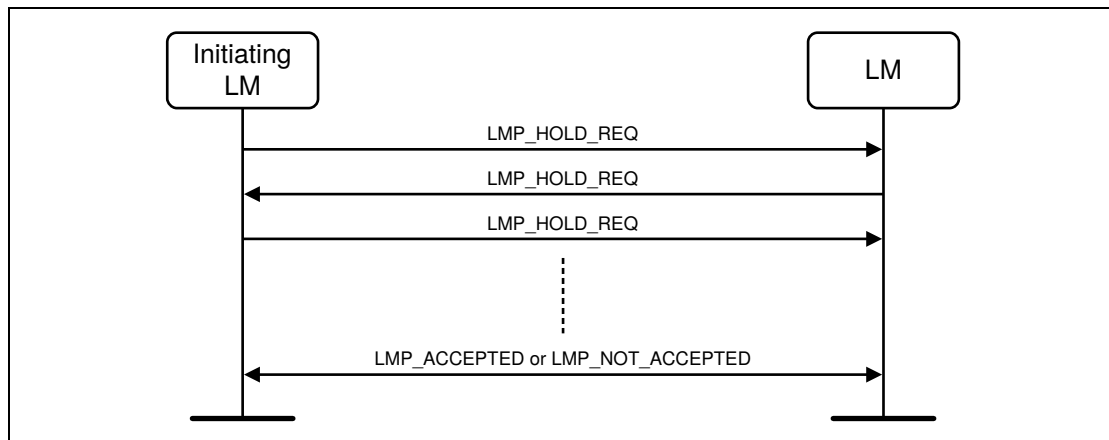
The Central or the Peripheral may request to enter Hold mode. Upon receipt of the request, the same request with modified parameters may be returned or the negotiation may be terminated. If an agreement is seen an LMP_ACCEPTED PDU terminates the negotiation and the ACL link is placed in Hold mode. If no agreement is seen, an LMP_NOT_ACCEPTED PDU with the Error_Code *Unsupported LMP Parameter Value (0x20)* terminates the negotiation and Hold mode is not entered.

The initiating LM shall pause traffic on the ACL-U logical link (see [\[Vol 2\] Part B, Section 5.3.1](#)). On receiving an LMP_HOLD_REQ PDU the receiving LM shall complete the transmission of the current packet on the ACL logical transport and then shall suspend transmission on the ACL-U logical link.

The LM sending the LMP_HOLD_REQ PDU selects the hold instant, that shall be at least $9 \cdot T_{poll}$ slots in the future. If this is a response to a previous LMP_HOLD_REQ PDU and the contained hold instant is at least $9 \cdot T_{poll}$ slots in the future then this shall be used. The LMP_HOLD_REQ PDU shall then be queued to its LC for transmission and a timer shall be started to expire at this instant and the connection enters Hold mode when it expires unless an LMP_NOT_ACCEPTED or LMP_HOLD_REQ PDU is received by its LM before that point. If the LM receiving LMP_HOLD_REQ PDU agrees to enter Hold mode it shall return an LMP_ACCEPTED PDU and shall start a timer to expire at the hold instant. When this timer expires it enters Hold mode.



When each LM exits from Hold mode it shall re-enable transmission on the ACL-U logical link.



Sequence 88: Negotiation for Hold mode

4.5.2 [This section is no longer used]

4.5.3 Sniff mode

To enter Sniff mode, Central and Peripheral negotiate a sniff interval T_{Sniff} and a sniff offset, D_{Sniff} , that specifies the timing of the sniff slots. The offset determines the time of the first sniff slot; after that the sniff slots follow periodically with the sniff interval T_{Sniff} . To avoid clock wrap-around during the initialization, one of two options is chosen for the calculation of the first sniff slot. A timing control flag in the sniff request message indicates this. Only bit 1 of the timing control flag is valid.

When the ACL logical transport is in Sniff mode the Central shall only start a transmission in the sniff slots. Two parameters control the listening activity in the Peripheral: the Sniff_Attempt and the Sniff_Timeout. The Sniff_Attempt parameter determines for how many slots the Peripheral shall listen when the Peripheral is not treating this as a scatternet link, beginning at the sniff slot, even if it does not receive a packet with its own LT_ADDR. The Sniff_Timeout parameter determines for how many additional slots the Peripheral shall listen when the Peripheral is not treating this as a scatternet link if it continues to receive only packets with its own LT_ADDR. It is not possible to modify the sniff parameters while the device is in Sniff mode.

4.5.3.1 Central or Peripheral requests Sniff mode

Either the Central or the Peripheral may request entry to Sniff mode. The process is initiated by sending an LMP_SNIFF_REQ PDU containing a set of parameters. The receiving LM shall then decide whether to reject the attempt by sending an LMP_NOT_ACCEPTED PDU, to suggest different parameters by replying with an LMP_SNIFF_REQ PDU or to accept the request.



M/O	PDU	Contents
O(7)	LMP_SNIFF_REQ	Timing_Control_Flags D _{Sniff} T _{Sniff} Sniff_Attempt Sniff_Timeout
O(7)	LMP_UNSNIFF_REQ	-
O(41)	LMP_SNIFF_SUBRATING_REQ	Max_Sniff_Subrate Min_Sniff_Mode_Timeout Sniff_Subrating_Instant
O(41)	LMP_SNIFF_SUBRATING_RES	Max_Sniff_Subrate Min_Sniff_Mode_Timeout Sniff_Subrating_Instant

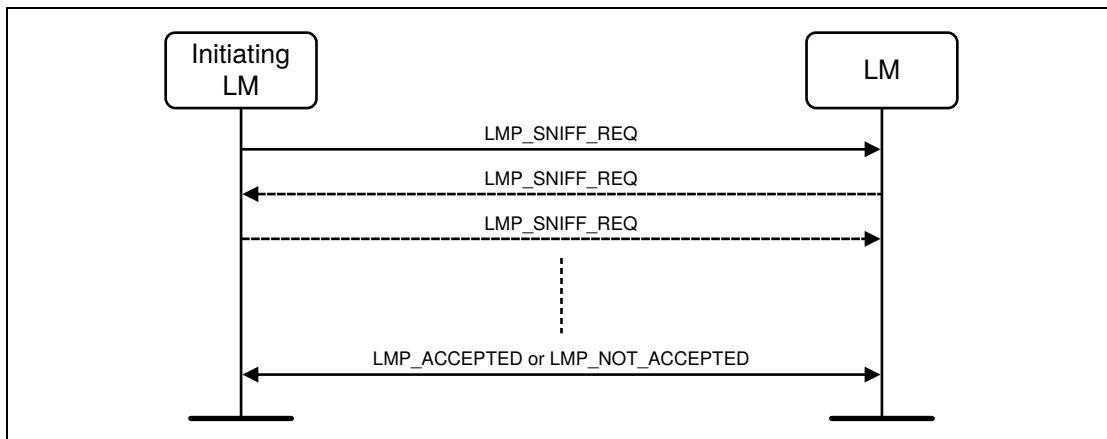
Table 4.33: Sniff mode PDUs

Before the first time that the Central sends LMP_SNIFF_REQ in a transaction it shall enter Sniff Transition mode. If the Central receives or sends an LMP_NOT_ACCEPTED PDU it shall exit from Sniff Transition mode.

If the Central receives an LMP_SNIFF_REQ PDU it shall enter Sniff Transition mode (if not already in it) and then determine whether to accept the request. The Central may reply with an LMP_NOT_ACCEPTED PDU or, if it can enter Sniff mode but requires a different set of parameters, it shall respond with an LMP_SNIFF_REQ PDU containing the new parameters. If the Central decides that the parameters are acceptable then it shall send an LMP_ACCEPTED PDU; when it receives the Baseband acknowledgment for this PDU it shall exit Sniff Transition mode and enter Sniff mode.

If the Central receives an LMP_ACCEPTED PDU the Central shall exit from Sniff Transition mode and enter Sniff mode.

If the Peripheral receives an LMP_SNIFF_REQ PDU it shall determine whether to accept the request. The Peripheral may reply with an LMP_NOT_ACCEPTED PDU to reject the request or, if it can enter Sniff mode but requires a different set of parameters, it shall respond with an LMP_SNIFF_REQ PDU containing the new parameters. If the Peripheral decides that the parameters are acceptable then it shall send an LMP_ACCEPTED PDU and enter Sniff mode. If the Peripheral receives an LMP_NOT_ACCEPTED PDU it shall terminate the attempt to enter Sniff mode.



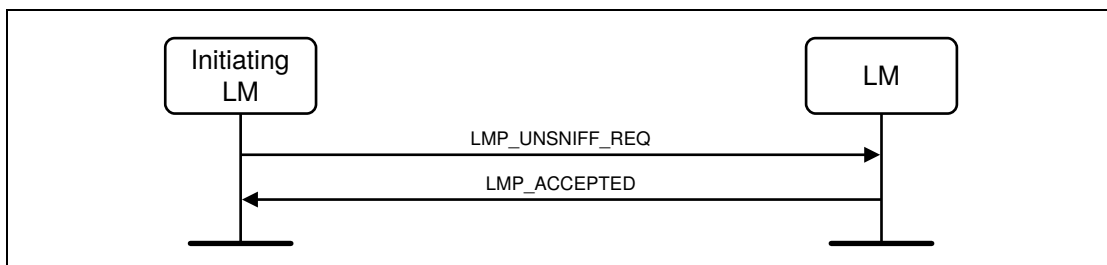
Sequence 89: Negotiation for Sniff mode

4.5.3.2 Moving a Peripheral from Sniff mode to Active mode

Sniff mode may be exited by either the Central or the Peripheral sending an LMP_UNSNIFF_REQ PDU. The requested device shall reply with an LMP_ACCEPTED PDU.

If the Central requests an exit from Sniff mode it shall enter Sniff Transition mode and then send an LMP_UNSNIFF_REQ PDU. When the Peripheral receives the LMP_UNSNIFF_REQ it shall exit from Sniff mode and reply with an LMP_ACCEPTED PDU. When the Central receives the LMP_ACCEPTED PDU it shall exit from Sniff Transition mode and enter Active mode.

If the Peripheral requests an exit from Sniff mode it shall send an LMP_UNSNIFF_REQ PDU. When the Central receives the LMP_UNSNIFF_REQ PDU it shall enter Sniff Transition mode and then send an LMP_ACCEPTED PDU. When the Peripheral receives the LMP_ACCEPTED PDU it shall exit from Sniff mode and enter Active mode. When the Central receives the Baseband acknowledgment for the LMP_ACCEPTED PDU it shall leave Sniff Transition mode and enter Active mode.



Sequence 90: Peripheral moved from Sniff mode to Active mode

4.5.3.3 Sniff subrating

Once Sniff mode has been started, sniff subrating may be initiated by either Link Manager.



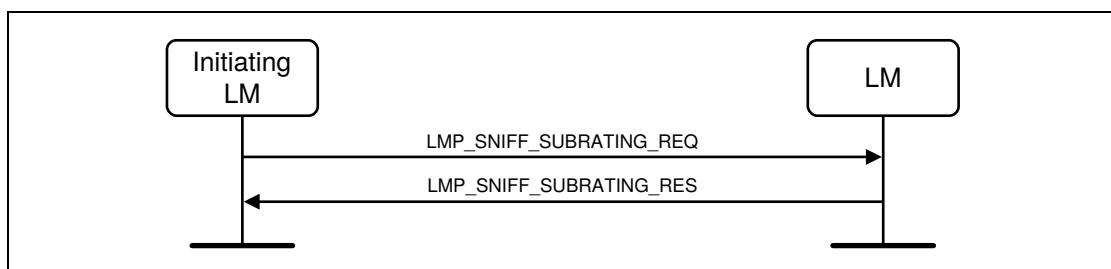
The LMP_SNIFF_SUBRATING_REQ and LMP_SNIFF_SUBRATING_RES PDUs specify parameters that the peer and initiating device shall use respectively for sniff subrating.

The Sniff_Subrating_Instant value shall be used to calculate the first sniff subrating anchor point. The Sniff_Subrating_Instant value shall be a maximum of 2^{16} time slots (40.9 seconds) from the Central's current clock and shall be a sniff anchor point. The Sniff_Subrating_Instant value should indicate a clock value in the future with respect to the clock value when the LMP message is first sent.

If the LMP_SNIFF_SUBRATING_REQ PDU is sent by the Central, the Sniff_Subrating_Instant value shall be used. The Peripheral shall reply with an LMP_SNIFF_SUBRATING_RES PDU using the same Sniff_Subrating_Instant value given by the Central.

When the LMP_SNIFF_SUBRATING_REQ PDU is sent by the Peripheral, the Sniff_Subrating_Instant value shall be ignored. The Central shall reply with an LMP_SNIFF_SUBRATING_RES PDU with the Sniff_Subrating_Instant value that shall be used for sniff subrating.

The initiating device shall not transition to the new sniff subrating parameters until the sniff subrating instant has passed and the LMP_SNIFF_SUBRATING_RES PDU has been received. The non-initiating device shall remain in Sniff mode and shall not transition to the new sniff subrating parameters until after the sniff subrating instant has passed and the Baseband acknowledgment of the LMP_SNIFF_SUBRATING_RES PDU has been received.



Sequence 91: LM accepts sniff subrating request

A device shall not send a new LMP_SNIFF_SUBRATING_REQ PDU until the previous sniff subrating transaction has completed and the sniff subrating instant has passed.

The maximum clock interval between two sniff subrating anchor points shall be less than the link supervision timeout. If the link supervision timeout needs to be updated to a shorter value than the clock interval between two sniff subrating anchor points, the Central shall disable sniff subrating, shall send the LMP_SUPERVISION_TIMEOUT PDU with the new supervision timeout value, and shall start using the new supervision timeout value after receiving a Baseband acknowledgment for the LMP_SUPERVISION_TIMEOUT PDU.



Upon reception of the LMP_SUPERVISION_TIMEOUT PDU the Peripheral shall disable sniff subrating and shall start using the new supervision timeout value.

The Central shall initiate sniff subrating with the Max_Sniff_Subrate parameter less than the new supervision timeout. The Peripheral shall respond with the LMP_SNIFF_SUBRATING_RES PDU with the Max_Sniff_Subrate parameter less than the new supervision timeout.

4.6 LOGICAL TRANSPORTS

When a connection is first established between two devices the connection consists of the ACL logical transport (carrying the ACL-C logical link for LMP messages and the ACL-U logical link for L2CAP data) and the APB logical transport carrying the APB-C logical links for LMP messages and the APB-U logical link for L2CAP data. One or more synchronous logical transports (SCO or eSCO) may then be added. A new logical transport shall not be created if it would cause all slots to be allocated to reserved slots on secondary LT_ADDRs.

4.6.1 SCO logical transport

The SCO logical transport reserves slots separated by the SCO interval, T_{SCO} . The first slot reserved for the SCO logical transport is defined by T_{SCO} and the SCO offset, D_{SCO} . See [Vol 2] Part B, Section 8.6.2 for details. A device shall initiate a request for HV2 or HV3 packet type only if the other device supports that type. A device shall initiate CVSD, μ -law or A-law coding or uncoded (transparent) data only if the other device supports the corresponding feature. To avoid problems with a wrap-around of the clock during initialization of the SCO logical transport, the Timing_Control_Flags parameter is used to indicate how the first SCO slot shall be calculated. Only bit1 of the Timing_Control_Flags parameter is valid. The SCO link is distinguished from all other SCO links by a SCO handle. The SCO handle zero shall not be used.

The Link Manager shall not initiate a SCO connection, and shall reject any request for a SCO connection, while AES-CCM encryption is in use.

Note: The Peripheral interprets the initialization flag in the Timing_Control_Flags in terms of the Central's Bluetooth clock. See [Vol 2] Part B, Section 8.6.2.



M/O	PDU	Contents
O(11)	LMP_SCO_LINK_REQ	SCO_Handle Timing_Control_Flags D_{SCO} T_{SCO} SCO_Packet Air_Mode
O(11)	LMP_REMOVE_SCO_LINK_REQ	SCO_Handle Error_Code

Table 4.34: SCO link management PDUs

4.6.1.1 Central initiates a SCO link

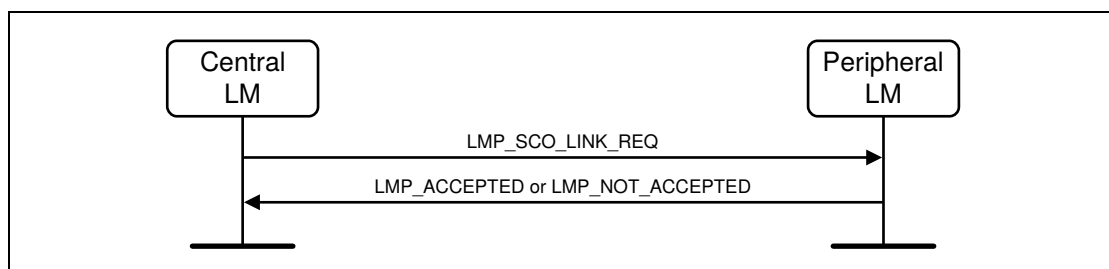
When establishing a SCO link the Central sends a request, a LMP_SCO_LINK_REQ PDU, with parameters that specify the timing, packet type and coding that will be used on the SCO link. Each of the SCO packet types supports three different voice coding formats on the air-interface: μ -law log PCM, A-law log PCM and CVSD. The air coding by log PCM or CVSD may be deactivated to achieve a transparent synchronous data link at 64 kb/s.

The slots used for the SCO links are determined by three parameters controlled by the Central: T_{SCO} , D_{SCO} and a flag indicating how the first SCO slot is calculated. After the first slot, the SCO slots follow periodically at an interval of T_{SCO} .

If the Peripheral does not accept the SCO link, but can operate with a different set of SCO parameters, it can indicate what it does not accept in the Error_Code parameter of an LMP_NOT_ACCEPTED PDU. The Central may then issue a new request with modified parameters.

The SCO handle in the message shall be different from existing SCO link(s).

If the SCO packet type is HV1 the LMP_ACCEPTED shall be sent using the DM1 packet.



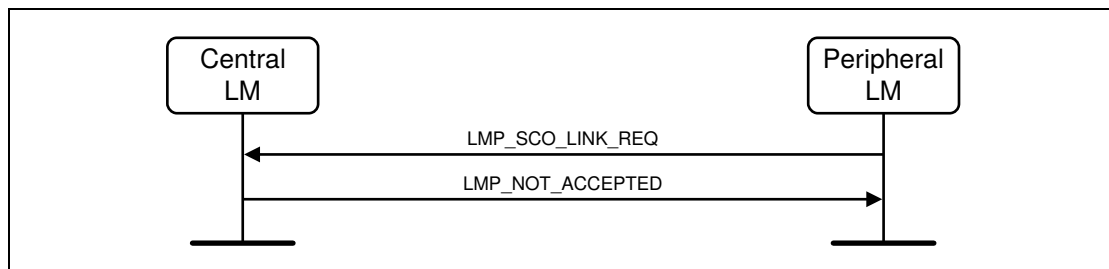
Sequence 92: Central requests a SCO link



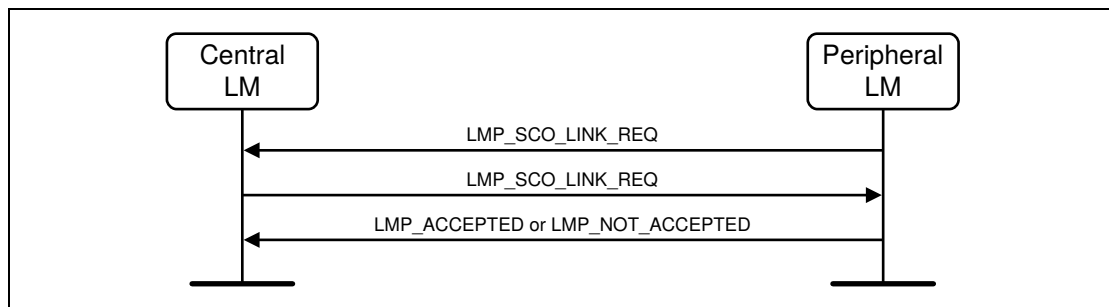
4.6.1.2 Peripheral initiates a SCO link

The Peripheral may initiate the establishment of a SCO link. The Peripheral sends an LMP_SCO_LINK_REQ PDU with the SCO handle set to zero; the Timing_Control_Flags parameter shall be ignored by the Central, while the D_{SCO} parameter should be set to 0. If the Central is not capable of establishing a SCO link, it replies with an LMP_NOT_ACCEPTED PDU. Otherwise it sends back an LMP_SCO_LINK_REQ PDU. This message includes the assigned SCO handle, D_{SCO} and the timing control flags. The Central should try to use the same parameters as in the Peripheral request; if the Central cannot meet that request, it is allowed to use other values. The Peripheral shall then reply with LMP_ACCEPTED or LMP_NOT_ACCEPTED PDU.

If the SCO packet type is HV1 the LMP_ACCEPTED shall be sent using the DM1 packet.



Sequence 93: Central rejects Peripheral's request for a SCO link



Sequence 94: Central accepts Peripheral's request for a SCO link

4.6.1.3 Central requests change of SCO parameters

The Central sends an LMP_SCO_LINK_REQ PDU, where the SCO_Handle is the handle of the SCO link the Central wishes to change parameters for. If the Peripheral accepts the new parameters, it replies with an LMP_ACCEPTED PDU and the SCO link will change to the new parameters. If the Peripheral does not accept the new parameters, it shall reply with an LMP_NOT_ACCEPTED PDU and the SCO link is left unchanged. When the Peripheral replies with an LMP_NOT_ACCEPTED PDU it shall indicate in the Error_Code parameter what it does not accept. The Central may then try to change the SCO link again with modified parameters. The sequence is the same as in [Section 4.6.1.1](#).

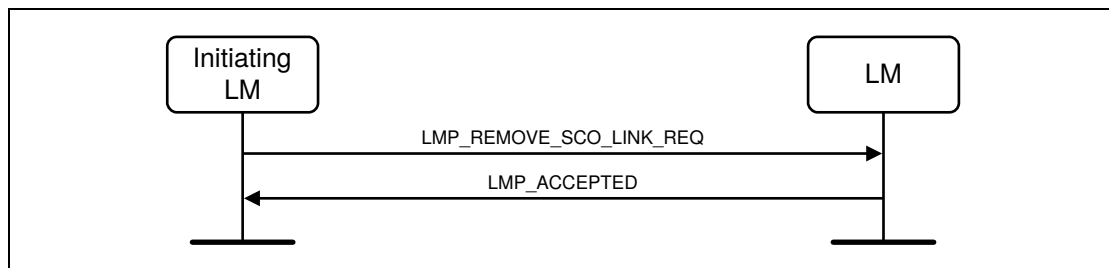


4.6.1.4 Peripheral requests change of SCO parameters

The Peripheral sends an LMP_SCO_LINK_REQ PDU, where the SCO_Handle is the handle of the SCO link to be changed. The parameters Timing_Control_Flags and D_{SCO} are not valid in this PDU. If the Central does not accept the new parameters it shall reply with an LMP_NOT_ACCEPTED PDU and the SCO link is left unchanged. If the Central accepts the new parameters it shall reply with an LMP_SCO_LINK_REQ PDU containing the same parameters as in the Peripheral request. When receiving this message the Peripheral replies with an LMP_NOT_ACCEPTED PDU if it does not accept the new parameters. The SCO link is then left unchanged. If the Peripheral accepts the new parameters it replies with an LMP_ACCEPTED PDU and the SCO link will change to the new parameters. The sequence is the same as in [Section 4.6.1.2](#).

4.6.1.5 Remove a SCO link

The Central or Peripheral may remove the SCO link by sending a request including the SCO handle of the SCO link to be removed and an Error_Code indicating why the SCO link is removed. The receiving side shall respond with an LMP_ACCEPTED PDU.



Sequence 95: SCO link removed

4.6.2 eSCO logical transport

After an ACL link has been established, one or more extended SCO (eSCO) links can be set up to the remote device. The eSCO links are similar to SCO links using timing control flags, an interval T_{eSCO} and an offset D_{eSCO} . Only bit1 of the Timing_Control_Flags parameter is valid. As opposed to SCO links, eSCO links have a configurable data rate that may be asymmetric, and can be set up to provide limited retransmissions of lost or damaged packets inside a retransmission window of size W_{eSCO} . The D_{eSCO} shall be based on CLK.

Note: The Peripheral interprets the initialization flag in the Timing_Control_Flags in terms of the Central’s Bluetooth clock. See [\[Vol 2\] Part B, Section 8.6.2](#).

The parameters D_{eSCO} , T_{eSCO} , W_{eSCO} , eSCO_Packet_Type C→P, eSCO_Packet_Type P→C, Packet_Length C→P, Packet_Length P→C are henceforth referred to as the negotiable parameters.

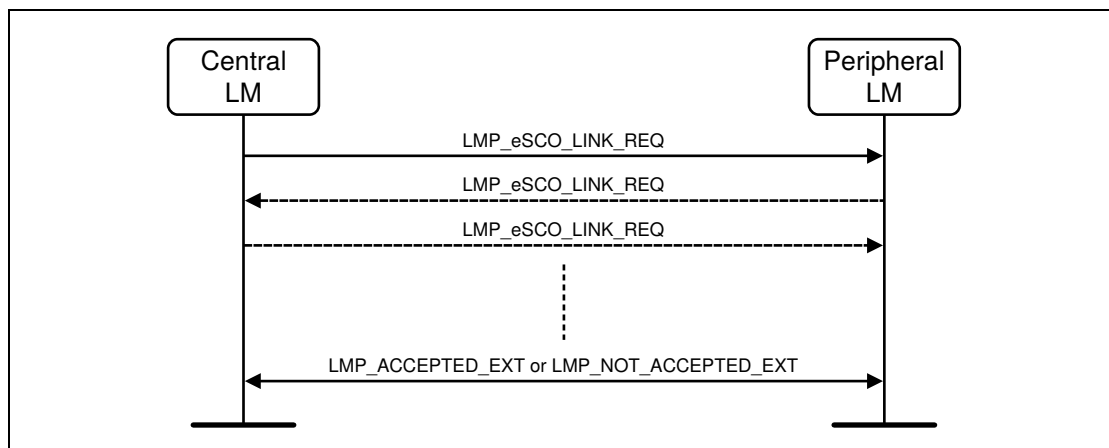


M/O	PDU	Contents
O(31)	LMP_eSCO_LINK_REQ	eSCO_Handle eSCO_LT_ADDR Timing_Control_Flags D _{eSCO} T _{eSCO} W _{eSCO} eSCO_Packet_Type C→P eSCO_Packet_Type P→C Packet_Length C→P Packet_Length P→C Air_Mode Negotiation_State
O(31)	LMP_REMOVE_eSCO_LINK_REQ	eSCO_Handle Error_Code

Table 4.35: PDUs used for managing the eSCO links

4.6.2.1 Central initiates an eSCO link

When establishing an eSCO link the Central sends an LMP_eSCO_LINK_REQ PDU specifying all parameters. The Peripheral may accept this with an LMP_ACCEPTED_EXT PDU, reject it with an LMP_NOT_ACCEPTED_EXT PDU, or respond with its own LMP_eSCO_LINK_REQ specifying alternatives for some or all parameters. The Peripheral shall not negotiate the eSCO_Handle or eSCO_LT_ADDR parameters. The negotiation of parameters continues until the Central or Peripheral either accepts the latest parameters with an LMP_ACCEPTED_EXT PDU, or terminates the negotiation with an LMP_NOT_ACCEPTED_EXT PDU. The negotiation shall use the procedures defined in [Section 4.6.2.5](#).

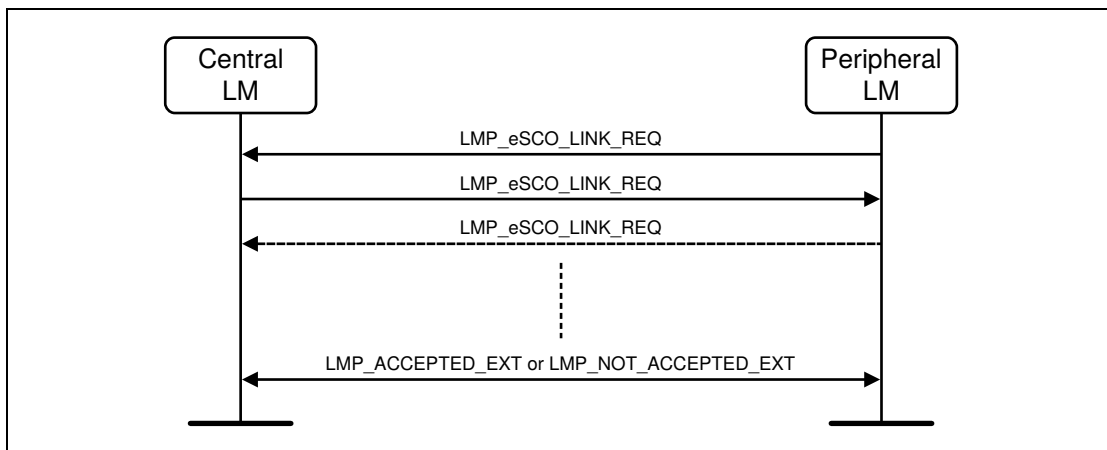


Sequence 96: Central requests an eSCO link



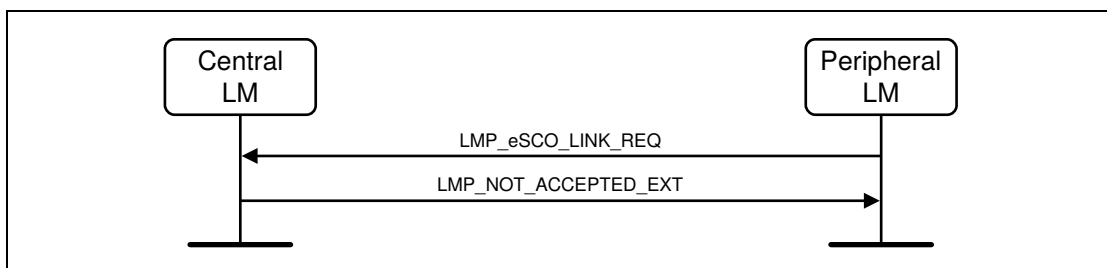
4.6.2.2 Peripheral initiates an eSCO link

When attempting to establish an eSCO link the Peripheral shall send an LMP_eSCO_LINK_REQ PDU specifying all parameters except eSCO_LT_ADDR, which is reserved for future use, and eSCO_Handle, which shall be set to zero. The Central may respond to this with an LMP_eSCO_LINK_REQ PDU, filling in these missing parameters, and potentially changing the other requested parameters. The Peripheral can accept this with an LMP_ACCEPTED_EXT PDU, or respond with a further LMP_eSCO_LINK_REQ PDU specifying alternatives for some or all of the parameters. The negotiation of parameters continues until the Central or Peripheral either accepts the latest parameters with an LMP_ACCEPTED_EXT PDU, or terminates the negotiation with an LMP_NOT_ACCEPTED_EXT PDU.



Sequence 97: Peripheral requests an eSCO link

The Central may reject the request immediately with an LMP_NOT_ACCEPTED_EXT PDU. The negotiation shall use the procedures defined in [Section 4.6.2.5](#).



Sequence 98: Central rejects Peripheral's request for an eSCO link

4.6.2.3 Central or Peripheral requests change of eSCO parameters

The Central or Peripheral may request a renegotiation of the eSCO parameters. The Central or Peripheral shall send an LMP_eSCO_LINK_REQ PDU with the eSCO handle of the eSCO link the device wishes to renegotiate. The remote device may accept the changed parameters immediately with



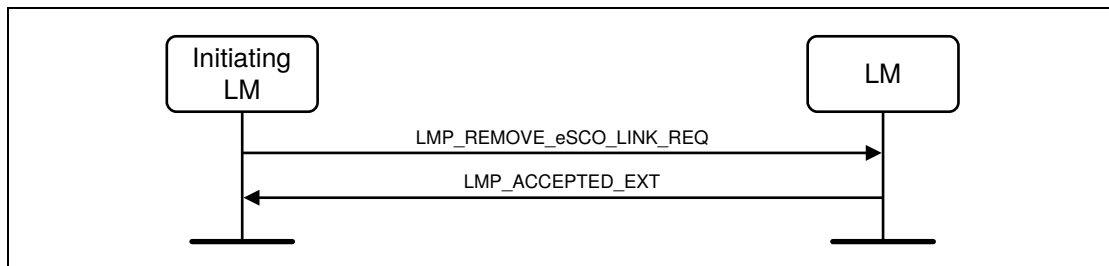
LMP_ACCEPTED_EXT PDU, or the negotiation may be continued with further LMP_eSCO_LINK_REQ PDUs until the Central or Peripheral accepts the latest parameters with an LMP_ACCEPTED_EXT PDU or terminates the negotiation with an LMP_NOT_ACCEPTED_EXT PDU. In the case of termination with an LMP_NOT_ACCEPTED_EXT PDU, the eSCO link continues on the previously negotiated parameters.

The sequence is the same as in [Section 4.6.2.2](#).

During re-negotiation, the eSCO LT_ADDR and eSCO handle shall not be re-negotiated and shall be set to the originally negotiated values. The negotiation shall use the procedures defined in [Section 4.6.2.5](#).

4.6.2.4 Remove an eSCO link

Either the Central or Peripheral may remove the eSCO link by sending a request including the eSCO handle of the eSCO link to be removed and an Error_Code indicating why the eSCO link is removed. The receiving side shall respond with an LMP_ACCEPTED_EXT PDU. The Peripheral shall shut down its eSCO logical transport before sending its PDU (LMP_REMOVE_eSCO_LINK_REQ for Peripheral initiated removal, LMP_ACCEPTED_EXT for Central initiated). The Central shall not reassign the eSCO LT_ADDR until the end of the removal procedure. If, for some reason, such as the Peripheral being out of range, the procedure cannot be completed, the Central shall not reassign the eSCO LT_ADDR until the primary LT_ADDR is available for reuse (supervision timeout).



Sequence 99: eSCO link removed

4.6.2.5 Rules for the LMP negotiation and renegotiation

Rule 1: the Negotiation_State shall be set to 0 by the initiating LM. After the initial LMP_eSCO_LINK_REQ is sent the Negotiation_State shall not be set to 0.

Rule 2: if the bandwidth (defined as 1600 times the packet length in bytes divided by T_{eSCO} in slots) for either RX or TX or the Air_Mode cannot be accepted the device shall send LMP_NOT_ACCEPTED_EXT with the appropriate Error_Code.



Rule 3: Bandwidth and Air_Mode are not negotiable and shall not be changed for the duration of the negotiation. Once one side has rejected the negotiation (with LMP_NOT_ACCEPTED_EXT) a new negotiation may be started with different bandwidth and Air_Mode parameters.

Rule 4: if the parameters will cause a latency violation ($T_{eSCO} + W_{eSCO} +$ reserved synchronous slots $>$ allowed local latency) the device should propose new parameters that shall not cause a reserved slot violation or latency violation for the device that is sending the parameters. In this case the Negotiation_State shall be set to 3. Otherwise the device shall send LMP_NOT_ACCEPTED_EXT.

Rule 5: once a device has received an LMP_eSCO_LINK_REQ with the Negotiation_State set to 3 (latency violation), the device shall not propose any combination of packet type, T_{eSCO} , and W_{eSCO} that will give an equal or larger latency than the combination that caused the latency violation for the other device.

Rule 6: if the parameters cause both a reserved slot violation and a latency violation or if the parameters are not supported and a latency violation occurs, then the device shall set the Negotiation_State to 3 (latency violation).

Rule 7: if the parameters will cause a reserved slot violation the device should propose new parameters that shall not cause a reserved slot violation. In this case the Negotiation_State shall be set to 2. Otherwise the device shall send LMP_NOT_ACCEPTED_EXT.

Rule 8: If the requested parameters are not supported the device should propose a setting that is supported, and set the Negotiation_State to 4. If it is not possible to find such a parameter set, the device shall send LMP_NOT_ACCEPTED_EXT.

Rule 9: when proposing new parameters for reasons other than a latency violation, reserved slot violation, or configuration not supported, the Negotiation_State shall be set to 1.

4.6.2.6 Negotiation state definitions

Reserved Slot Violation: a reserved slot violation is when the receiving LM cannot setup the requested eSCO logical transport because the eSCO reserved slots would overlap with other regularly scheduled slots (e.g. other synchronous reserved slots or sniff anchor points).

Latency Violation: a latency violation is when the receiving LM cannot setup the requested eSCO logical transport because the latency ($W_{eSCO} + T_{eSCO} +$ reserved synchronous slots) is greater than the maximum allowed latency.

Configuration not supported: The combination of parameters requested is not inside the supported range for the device.



4.7 TEST MODE

LMP has PDUs to support different test modes used for certification and compliance testing of the Bluetooth radio and Baseband. See [Definition: Test methodology \[Vol 3\] Part D, Section 1](#) for a detailed description of these test modes.

4.7.1 Activation and deactivation of Test mode

The activation may be carried out locally (via a HW or SW interface), or using the air interface.

- For activation over the air interface, entering the test mode shall be locally enabled for security and type approval reasons. The implementation of this local enabling is not subject to standardization.

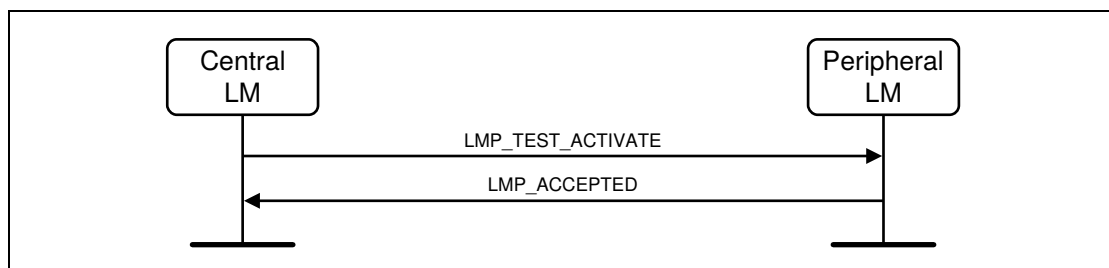
The tester sends an LMP command that shall force the DUT to enter test mode. The DUT shall terminate all normal operation before entering the test mode.

The DUT shall return an LMP_ACCEPTED PDU on reception of an activation command. An LMP_NOT_ACCEPTED PDU shall be returned if the DUT is not locally enabled.

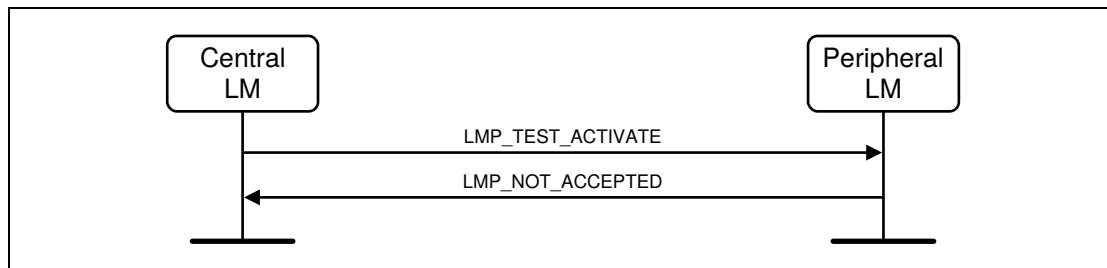
- If the activation is performed locally using a HW or SW interface, the DUT shall terminate all normal operation before entering the test mode.

Until a connection to the tester exists, the device shall perform page scan and inquiry scan. Extended scan activity is recommended.

The test mode is activated by sending an LMP_TEST_ACTIVATE PDU to the device under test (DUT). The DUT is always the Peripheral. The LM shall be able to receive this message at any time. If entering test mode is locally enabled in the DUT it shall respond with an LMP_ACCEPTED PDU and test mode is entered. Otherwise the DUT responds with an LMP_NOT_ACCEPTED PDU and the DUT remains in normal operation. The Error_Code in the LMP_NOT_ACCEPTED PDU shall be *LMP PDU Not Allowed (0x24)*.



Sequence 100: Activation of test mode successful



Sequence 101: Activation of Test mode fails. Peripheral is not allowed to enter Test mode.

The test mode can be deactivated in two ways. Sending an LMP_TEST_CONTROL PDU with Test_Scenario set to "exit test mode" exits the test mode and the Peripheral returns to normal operation still connected to the Central. Sending an LMP_DETACH PDU to the DUT ends the test mode and the connection.

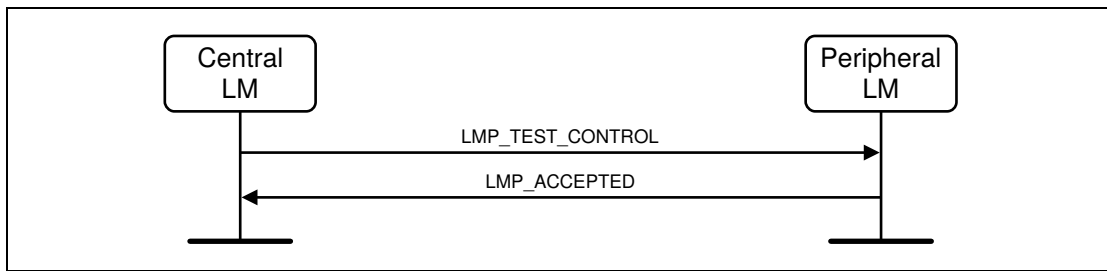
4.7.2 Control of Test mode

Control and configuration is performed using special LMP commands (see [Section 4.7.3](#)). These commands shall be rejected if the Bluetooth device is not in test mode. In this case, an LMP_NOT_ACCEPTED shall be returned. The DUT shall return an LMP_ACCEPTED on reception of a control command when in test mode.

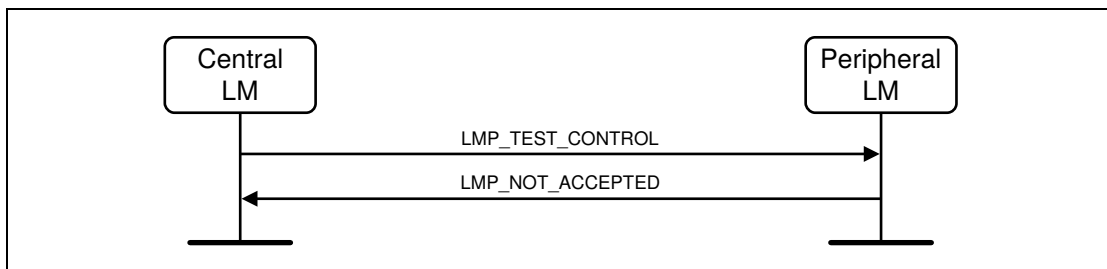
A Bluetooth device in test mode shall ignore all LMP commands not related to control of the test mode. LMP commands dealing with power control and the request for LMP features (LMP_FEATURES_REQ), and adaptive frequency hopping (LMP_SET_AFH, LMP_CHANNEL_CLASSIFICATION_REQ and LMP_CHANNEL_CLASSIFICATION) are allowed in test mode; the normal procedures are also used to test the adaptive power control.

The DUT shall leave the test mode when an LMP_DETACH command is received or an LMP_TEST_CONTROL command is received with Test_Scenario set to 'exit test mode'.

When the DUT has entered test mode, the LMP_TEST_CONTROL PDU can be sent to the DUT to start a specific test. This PDU is acknowledged with an LMP_ACCEPTED PDU. If a device that is not in test mode receives an LMP_TEST_CONTROL PDU it responds with an LMP_NOT_ACCEPTED PDU, where the Error_Code shall be *LMP PDU Not Allowed (0x24)*.



Sequence 102: Control of Test mode successful



Sequence 103: Control of Test mode rejected since Peripheral is not in Test mode

4.7.3 Summary of Test mode PDUs

Table 4.36 lists all LMP messages used for test mode. To ensure that the contents of the LMP_TEST_CONTROL PDU are suitably whitened (important when sent in transmitter mode), all parameters listed in Table 4.37 are XORed with 0x55 before being sent.

LMP PDU	PDU number	Possible Direction	Contents	Position in Payload
LMP_TEST_ACTIVATE	56	C → P	<i>none</i>	
LMP_TEST_CONTROL	57	C → P	Test_Scenario Hopping_Mode Tx_Frequency Rx_Frequency Power_Mode Poll_Period Packet_Type Test_Data_Length	2 3 4 5 6 7 8 9-10
LMP_DETACH	7	C → P	<i>none</i>	
LMP_ACCEPTED	3	C ← P	<i>none</i>	
LMP_NOT_ACCEPTED	4	C ← P	<i>none</i>	

Table 4.36: LMP messages used for Test mode



Name	Length (bytes)	Type	Detailed
Test_Scenario	1	uint8	0 Pause Test Mode 1 Transmitter test – 0 pattern 2 Transmitter test – 1 pattern 3 Transmitter test – 1010 pattern 4 Pseudorandom bit sequence 5 Closed Loop Back – ACL packets 6 Closed Loop Back – Synchronous packets 7 ACL packets without whitening 8 Synchronous packets without whitening 9 Transmitter test – 1111 0000 pattern 10–254 Reserved for future use 255 Exit Test Mode The value is XORed with 0x55.
Hopping_Mode	1	uint8	0 RX/TX on single frequency 1 Normal hopping 2–255 Reserved for future use The value is XORed with 0x55.
Tx_Frequency	1	uint8	$f = [2402 + k] \text{ MHz}$ The value is XORed with 0x55.
Rx_Frequency	1	uint8	$f = [2402 + k] \text{ MHz}$ The value is XORed with 0x55.
Power_Mode	1	uint8	0 fixed TX output power 1 adaptive power control The value is XORed with 0x55.
Poll_Period	1	uint8	Unit: 1.25 ms The value is XORed with 0x55.
Packet_Type	1	uint8	Bits 3-0 numbering as in packet header, see [Vol 2] Part B, Section 6.4.2 Bits 7-4 0: ACL/SCO 1: eSCO 2: Enhanced Data Rate ACL 3: Enhanced Data Rate eSCO 4-15: Reserved for future use The value is XORed with 0x55.
Test_Data_Length	2	uint16	This is equal to the length of user data in [Vol 2] Part B, Section 6.5 , in bytes, excluding the payload header and CRC if present in the relevant type of packet. The value is XORed with 0x5555.

Table 4.37: Parameters used in LMP_TEST_CONTROL PDU



The control PDU is used for both transmitter and loop back tests. The following restrictions apply for the parameter settings:

Parameter	Restrictions Transmitter Test	Restrictions Loopback Test
Tx_Frequency	$0 \leq k \leq 78$	$0 \leq k \leq 78$
Rx_Frequency	same as Tx_Frequency	$0 \leq k \leq 78$
Poll_Period	<i>none</i>	not applicable (set to 0)
Test_Data_Length	Depends on packet type. See [Vol 2] Part B, Table 6.8 and [Vol 2] Part B, Table 6.9	For ACL and SCO packets: not applicable (set to 0) For eSCO packets: see [Vol 2] Part B, Table 6.8

Table 4.38: Restrictions on the parameters in the LMP_TEST_CONTROL PDU



5 SUMMARY

5.1 PDU SUMMARY

Where the "Possible direction" column in [Table 5.1](#) shows "B", the PDU is sent on the APB-C logical link. All other PDUs are sent on the ACL-C logical link and only in the direction(s) indicated.

LMP PDU	Length (bytes)	Opcode	Packet type	Possible direction	Contents	Position in payload
LMP_ACCEPTED	2	3	DM1/DV	C ↔ P	Opcode	2
LMP_ACCEPTED_-EXT	4	127/01	DM1	C ↔ P	Escape_Opcode	3
					Extended_Opcode	4
LMP_AU_RAND	17	11	DM1	C ↔ P	Random_Number	2–17
LMP_AUTO_RATE	1	35	DM1/DV	C ↔ P	<i>none</i>	
LMP_CHANNEL_-CLASSIFICATION	12	127/17	DM1	C ← P	AFH_Channel_-Classification	3–12
LMP_CHANNEL_-CLASSIFICATION_-REQ	7	127/16	DM1	C → P	AFH_Reporting_-Mode	3
					AFH_Min_Interval	4–5
					AFH_Max_Interval	6–7
LMP_CLK_ADJ	15	127/5	DM1	B	Clk_Adj_ID	3
					Clk_Adj_Instant	4–7
					Clk_Adj_Offset	8–9
					Clk_Adj_Slots	10
					Clk_Adj_Mode	11
					Clk_Adj_Clk	12–15
LMP_CLK_ADJ_ACK	3	127/6	DM1	C ← P	Clk_Adj_ID	3
LMP_CLK_ADJ_REQ	6	127/7	DM1	C ← P	Clk_Adj_Offset	3–4
					Clk_Adj_Slots	5
					Clk_Adj_Period	6
LMP_CLKOFFSET_-REQ	1	5	DM1/DV	C → P	<i>none</i>	
LMP_CLKOFFSET_-RES	3	6	DM1/DV	C ← P	Clock_Offset	2–3
LMP_COMB_KEY	17	9	DM1	C ↔ P	Random_Number	2–17

Table 5.1: Coding of the different LM PDUs (Sheet 1 of 8)



LMP PDU	Length (bytes)	Opcode	Packet type	Possible direction	Contents	Position in payload
LMP_DECR_POWER_REQ	2	32	DM1/DV	C ↔ P	Reserved	2
LMP_DETACH	2	7	DM1/DV	C ↔ P	Error_Code	2
LMP_DHKEY_CHECK	17	65	DM1	C ↔ P	Confirmation_Value	2–17
LMP_ENCAPSULATED_HEADER	4	61	DM1	C ↔ P	Encap_Major_Type	2
					Encap_Minor_Type	3
					Encap_Payload_Length	4
LMP_ENCAPSULATED_PAYLOAD	17	62	DM1	C ↔ P	Encap_Data	2–17
LMP_ENCRYPTION_KEY_SIZE_MASK_REQ	1	58	DM1	C → P	none	
LMP_ENCRYPTION_KEY_SIZE_MASK_RES	3	59	DM1	C ← P	Key_Size_Mask	2–3
LMP_ENCRYPTION_KEY_SIZE_REQ	2	16	DM1/DV	C ↔ P	Key_Size	2
LMP_ENCRYPTION_MODE_REQ	2	15	DM1/DV	C ↔ P	Encryption_Mode	2

Table 5.1: Coding of the different LM PDUs (Sheet 2 of 8)



LMP PDU	Length (bytes)	Opcode	Packet type	Possible direction	Contents	Position in payload
LMP_eSCO_LINK_REQ (see Note 1)	16	127/12	DM1	C ↔ P	eSCO_Handle	3
					eSCO_LT_ADDR	4
					Timing_Control_Flags	5
					D _e SCO	6
					T _e SCO	7
					W _e SCO	8
					eSCO_Packet_Type C→P	9
					eSCO_Packet_Type P→C	10
					Packet_Length C→P	11–12
					Packet_Length P→C	13–14
					Air_Mode	15
Negotiation_State	16					
LMP_FEATURES_REQ	9	39	DM1/DV	C ↔ P	Features	2–9
LMP_FEATURES_REQ_EXT	12	127/03	DM1	C ↔ P	Features_Page	3
					Max_Supported_Page	4
					Extended_Features	5–12
LMP_FEATURES_RES	9	40	DM1/DV	C ↔ P	Features	2–9
LMP_FEATURES_RES_EXT	12	127/04	DM1	C ↔ P	Features_Page	3
					Max_Supported_Page	4
					Extended_Features	5–12
LMP_HOLD	7	20	DM1/DV	C ↔ P	Hold_Time	2–3
					Hold_Instant	4–7
LMP_HOLD_REQ	7	21	DM1/DV	C ↔ P	Hold_Time	2–3
					Hold_Instant	4–7

Table 5.1: Coding of the different LM PDUs (Sheet 3 of 8)



LMP PDU	Length (bytes)	Opcode	Packet type	Possible direction	Contents	Position in payload
LMP_HOST_- CONNECTION_REQ	1	51	DM1/DV	C ↔ P	<i>none</i>	
LMP_IN_RAND	17	8	DM1	C ↔ P	Random_Number	2–17
LMP_INCR_- POWER_REQ	2	31	DM1/DV	C ↔ P	Reserved	2
LMP_IO_- CAPABILITY_REQ	5	127/25	DM1	C ↔ P	IO_Capabilities	3
					OOB_Auth_Data	4
					Authentication_- Requirements	5
LMP_IO_- CAPABILITY_RES	5	127/26	DM1	C ↔ P	IO_Capabilities	3
					OOB_Auth_Data	4
					Authentication_- Requirements	5
LMP_KEYPRESS_- NOTIFICATION	3	127/30	DM1	C ↔ P	Notification_Type	2
LMP_MAX_POWER	1	33	DM1/DV	C ↔ P	<i>none</i>	
LMP_MAX_SLOT	2	45	DM1/DV	C ↔ P	Max_Slots	2
LMP_MAX_- SLOT_REQ	2	46	DM1/DV	C ↔ P	Max_Slots	2
LMP_MIN_POWER	1	34	DM1/DV	C ↔ P	<i>none</i>	
LMP_NAME_REQ	2	1	DM1/DV	C ↔ P	Name_Offset	2
LMP_NAME_RES	17	2	DM1	C ↔ P	Name_Offset	2
					Name_Length	3
					Name_Fragment	4–17
LMP_NOT_- ACCEPTED	3	4	DM1/DV	C ↔ P	Opcode	2
					Error_Code	3
LMP_NOT_- ACCEPTED_EXT	5	127/02	DM1	C ↔ P	Escape_Opcode	3
					Extended_Opcode	4
					Error_Code	5
LMP_NUMERIC_- COMPARISON_- FAILED	2	127/27	DM1	C ↔ P	<i>none</i>	
LMP_OOB_FAILED	2	127/29	DM1	C ↔ P	<i>none</i>	

Table 5.1: Coding of the different LM PDUs (Sheet 4 of 8)



LMP PDU	Length (bytes)	Opcode	Packet type	Possible direction	Contents	Position in payload
LMP_PACKET_TYPE_TABLE_REQ	3	127/11	DM1	C ↔ P	Packet_Type_Table	3
LMP_PAGE_MODE_REQ	3	53	DM1/DV	C ↔ P	Paging_Scheme	2
					Paging_Scheme_Settings	3
LMP_PAGE_SCAN_MODE_REQ	3	54	DM1/DV	C ↔ P	Paging_Scheme	2
					Paging_Scheme_Settings	3
LMP_PASSKEY_FAILED	2	127/28	DM1	C ↔ P	none	
LMP_PAUSE_ENCRYPTION_AES_REQ	17	66	DM1	C ↔ P	Random_Number	2–17
LMP_PAUSE_ENCRYPTION_REQ	2	127/23	DM1	C ↔ P	none	
LMP_PING_REQ	2	127/33	DM1	C ↔ P	none	
LMP_PING_RES	2	127/34	DM1	C ↔ P	none	
LMP_POWER_CONTROL_REQ	3	127/31	DM1/DV	C ↔ P	Power_Adj_Req	3
LMP_POWER_CONTROL_RES	3	127/32	DM1/DV	C ↔ P	Power_Adj_Rsp	3
LMP_PREFERRED_RATE	2	36	DM1/DV	C ↔ P	Data_Rate	2
LMP_QUALITY_OF_SERVICE	4	41	DM1/DV	C → P	Poll_Interval	2–3
					N _{BC}	4
LMP_QUALITY_OF_SERVICE_REQ	4	42	DM1/DV	C ↔ P	Poll_Interval	2–3
					N _{BC}	4
LMP_REMOVE_eSCO_LINK_REQ <i>(see Note 1)</i>	4	127/13	DM1	C ↔ P	eSCO_Handle	3
					Error_Code	4
LMP_REMOVE_SCO_LINK_REQ	3	44	DM1/DV	C ↔ P	SCO_Handle	2
					Error_Code	3
LMP_RESUME_ENCRYPTION_REQ	2	127/24	DM1	C ← P	none	

Table 5.1: Coding of the different LM PDUs (Sheet 5 of 8)



LMP PDU	Length (bytes)	Opcode	Packet type	Possible direction	Contents	Position in payload
LMP_SAM_DEFINE_MAP	17	127/36	DM1	C ↔ P	SAM_Index	3
					T _{SAM_SM}	4
					N _{SAM_SM}	5
					SAM_Submaps	6–17
LMP_SAM_SET_TYPE0	17	127/35	DM1	C ↔ P	Update_Mode	3
					SAM_Type0_Submap	4–17
LMP_SAM_SWITCH	9	127/37	DM1	C ↔ P	SAM_Index	3
					Timing_Control_Flags	4
					D _{SAM}	5
					SAM_Instant	6–9
LMP_SCO_LINK_REQ	7	43	DM1/DV	C ↔ P	SCO_Handle	2
					Timing_Control_Flags	3
					D _{sco}	4
					T _{sco}	5
					SCO_Packet	6
					Air_Mode	7
LMP_SET_AFH	16	60	DM1	C → P	AFH_Instant	2–5
					AFH_Mode	6
					AFH_Channel_Map	7–16
LMP_SETUP_COMPLETE	1	49	DM1	C ↔ P	none	
LMP_SIMPLE_PAIRING_CONFIRM	17	63	DM1	C ↔ P	Commitment_Value	2–17
LMP_SIMPLE_PAIRING_NUMBER	17	64	DM1	C ↔ P	Nonce_Value	2–17
LMP_SLOT_OFFSET	9	52	DM1/DV	C ↔ P	Slot_Offset	2–3
					BD_ADDR	4–9

Table 5.1: Coding of the different LM PDUs (Sheet 6 of 8)



LMP PDU	Length (bytes)	Opcode	Packet type	Possible direction	Contents	Position in payload
LMP_SNIFF_REQ	10	23	DM1	C ↔ P	Timing_Control_ - Flags	2
					D _{Sniff}	3–4
					T _{Sniff}	5–6
					Timing_Control_ - Flags	7–8
					Sniff_Timeout	9–10
LMP_SNIFF_ - SUBRATING_REQ	9	127/21	DM1	C ↔ P	Max_Sniff_Subrate	3
					Min_Sniff_Mode_ - Timeout	4–5
					Sniff_Subrating_ - Instant	6–9
LMP_SNIFF_ - SUBRATING_RES	9	127/22	DM1	C ↔ P	Max_Sniff_Subrate	3
					Min_Sniff_Mode_ - Timeout	4–5
					Sniff_Subrating_ - Instant	6–9
LMP_SRES	5	12	DM1/DV	C ↔ P	Authentication_Rsp	2–5
LMP_START_ - ENCRYPTION_REQ	17	17	DM1	C → P	Random_Number	2–17
LMP_STOP_ - ENCRYPTION_REQ	1	18	DM1/DV	C → P	<i>none</i>	
LMP_SUPERVISION_ - TIMEOUT	3	55	DM1/DV	C → P	Supervision_ - Timeout	2–3
LMP_SWITCH_REQ	5	19	DM1	C ↔ P	Switch_Instant	2–5
LMP_TEMP_KEY	17	14	DM1	C → P	Key	2–17
LMP_TEMP_RAND	17	13	DM1	C → P	Random_Number	2–17
LMP_TEST_ - ACTIVATE	1	56	DM1/DV	C → P	<i>none</i>	

Table 5.1: Coding of the different LM PDUs (Sheet 7 of 8)



LMP PDU	Length (bytes)	Opcode	Packet type	Possible direction	Contents	Position in payload
LMP_TEST_-CONTROL	10	57	DM1	C → P	Test_Scenario	2
					Hopping_Mode	3
					Tx_Frequency	4
					Rx_Frequency	5
					Power_Mode	6
					Poll_Period	7
					Packet_Type	8
					Test_Data_Length	9–10
LMP_TIMING_-ACCURACY_REQ	1	47	DM1/DV	C ↔ P	none	
LMP_TIMING_-ACCURACY_RES	3	48	DM1/DV	C ↔ P	Drift	2
					Jitter	3
LMP_UNIT_KEY	17	10	DM1	C ↔ P	Key	2–17
LMP_UNSMOOTH_REQ	1	24	DM1/DV	C ↔ P	none	
LMP_USE_SEMI_-PERMANENT_KEY	1	50	DM1/DV	C → P	none	
LMP_VERSION_REQ	6	37	DM1/DV	C ↔ P	Version	2
					Company_Identifier	3–4
					Subversion	5–6
LMP_VERSION_RES	6	38	DM1/DV	C ↔ P	Version	2
					Company_Identifier	3–4
					Subversion	5–6

Table 5.1: Coding of the different LM PDUs (Sheet 8 of 8)

Note 1. Parameters coincide with their namesakes in LMP_SCO_LINK_REQ and LMP_REMOVE_SCO_LINK_REQ apart from the following:

1. $eSCO_{LT_ADDR}$ - the eSCO connection will be active on an additional LT_ADDR that needs to be defined. The Central is not allowed to re-assign an active eSCO link to a different LT_ADDR.
2. D_{eSCO} , T_{eSCO} - as per LMP_SCO_LINK_REQ but with a greater flexibility in values (e.g. no longer fixed with respect to HV1, HV2, and HV3 packet choice).
3. W_{eSCO} - the eSCO retransmission window size (in slots)
4. packet type and packet length may be prescribed differently in Central-to-Peripheral or Peripheral-to-Central directions for asynchronous eSCO links



5. packet length (in bytes) - eSCO packet types no longer have fixed length
6. negotiation state – this is used to better enable the negotiation of the negotiable parameters: D_{eSCO} , T_{eSCO} , W_{eSCO} , eSCO_Packet_Type C→P, eSCO_Packet_Type P→C, Packet_Length C→P, Packet_Length P→C. When responding to an eSCO link request with a new suggestion for these parameters, this flag may be set to 1 to indicate that the last received negotiable parameters are possible, but the new parameters specified in the response eSCO link request would be preferable, to 2 to indicate that the last received negotiable parameters are not possible as they cause a reserved slot violation or to 3 to indicate that the last received negotiable parameters would cause a latency violation. The flag is set to zero in the initiating LMP_eSCO_LINK_REQ.

Note: The following opcodes were previously used: 22, 25 to 30. All other opcodes not listed in [Table 5.1](#) are reserved for future use.

5.2 PARAMETER DEFINITIONS

Where no mandatory range is given, the mandatory range consists of all valid values that are not reserved for future use.

Name	Length (bytes)	Type	Unit	Detailed
Access_Scheme	1	uint4		0: polling technique 1-15: reserved for future use
AFH_Channel_Classification	10	uint2 [40]		The n^{th} (numbering from 0) element defines the classification of channels $2n$ and $2n+1$, other than the 39 th element which just contains the classification of channel 78. The value of each element indicates: 0 = unknown 1 = good 2 = reserved for future use 3 = bad

Table 5.2: Parameters in LM PDUs (Sheet 1 of 11)



Name	Length (bytes)	Type	Unit	Detailed
AFH_Channel_Map	10	uint1 [80]		<p>If <i>AFH_Mode</i> is not 1 (enabled), the contents of this parameter are reserved for future use. Otherwise:</p> <p>The n^{th} (numbering from 0) element (in the range 0 to 78) contains the value for channel n. Element 79 is reserved for future use.</p> <p>The value of each element indicates:</p> <p>0: channel n is unused 1: channel n is used</p>
AFH_Instant	4	uint32	slots	<p>Bits 27:1 of the Central's clock value at the time of switching hop sequences. Only even values are valid.</p>
AFH_Max_Interval	2	uint16	slots	<p>Range is 0x0640 to 0xBB80 slots (1 to 30 s) Only even values are valid</p>
AFH_Min_Interval	2	uint16	slots	<p>Range is 0x0640 to 0xBB80 slots (1 to 30 s) Only even values are valid</p>
AFH_Mode	1	uint8		<p>0: disabled 1: enabled 2-255: reserved for future use</p>
AFH_Reporting_Mode	1	uint8		<p>0: disabled 1: enabled 2-255: reserved for future use</p>
Air_Mode	1	uint8		<p>0: μ-law log 1: A-law log 2: CVSD 3: transparent data 4-255: reserved for future use</p>
Authentication_Rsp	4	multiple bytes		

Table 5.2: Parameters in LM PDUs (Sheet 2 of 11)



Name	Length (bytes)	Type	Unit	Detailed
Authentication_Requirements	1	uint8		0x00: MITM Protection Not Required – No Bonding 0x01: MITM Protection Required – No Bonding 0x02: MITM Protection Not Required – Dedicated Bonding 0x03: MITM Protection Required – Dedicated Bonding 0x04: MITM Protection Not Required – General Bonding 0x05: MITM Protection Required – General Bonding 0x06 to 0xFF: reserved for future use
BD_ADDR	6	multiple bytes		BD_ADDR of the sending device
Clk_Adj_Clk	4	uint32	slot pairs	CLK[27:2] for the moment that the PDU is transmitted.
Clk_Adj_ID	1	uint8		Clk_Adj_ID is chosen by the Central as a handle to identify a Coarse Clock Adjustment event.
Clk_Adj_Instant	4	uint32	slots	CLK _{old} [27:1] at the time of the coarse clock adjustment, based on the value of time_base_offset before the adjustment is made. Only even values are valid.
Clk_Adj_Mode	1	uint8		0: Before Instant 1: After Instant 2-255: reserved for future use
Clk_Adj_Offset	2	sint16	µs	The offset between the old and new slot boundaries. Valid range is –624 to +624.
Clk_Adj_Period	1	uint8	slots	Indicates to the Central that adding an integer multiple of this value to Clk_Adj_Slots gives an equally acceptable adjustment. The value of Clk_Adj_Period shall be zero or an even number greater than Clk_Adj_Slots. Only even values are valid.

Table 5.2: Parameters in LM PDUs (Sheet 3 of 11)



Name	Length (bytes)	Type	Unit	Detailed
Clk_Adj_Slots	1	uint8	slots	The difference between the clocks at the adjustment instant (i.e. $CLK_{new}[27:1] - CLK_{old}[27:1]$).
Clock_Offset	2	uint15	1.25 ms	$(CLKN_{16-2} \text{ Peripheral} - CLKN_{16-2} \text{ Central}) \bmod 2^{15}$
Commitment_Value	16	uint128		
Company_Identifier	2	uint16		see Assigned Numbers
Confirmation_Value	16	uint128		
Data_Rate	1	uint8		<p>When in Basic Rate mode:</p> <ul style="list-style-type: none"> bit0 = 0: use FEC bit0 = 1: do not use FEC bit1-2=0: No packet-size preference available bit1-2=1: use 1-slot packets bit1-2=2: use 3-slot packets bit1-2=3: use 5-slot packets <p>When in Enhanced Data Rate mode:</p> <ul style="list-style-type: none"> bit3-4=0: use DM1 packets bit3-4=1: use 2 Mb/s packets bit3-4=2: use 3 Mb/s packets bit3-4=3: reserved for future use bit5-6=0: No packet-size preference available bit5-6=1: use 1-slot packets bit5-6=2: use 3-slot packets bit5-6=3: use 5-slot packets bit7: reserved for future use
D _{eSCO}	1	uint8	slots	Only even values less than T _{eSCO} are valid
Drift	1	uint8	ppm	
D _{SAM}	1	uint8	slots	Only even values less than T _{SAM} are valid

Table 5.2: Parameters in LM PDUs (Sheet 4 of 11)



Name	Length (bytes)	Type	Unit	Detailed
D _{SCO}	1	uint8	slots	Only even values less than T _{SCO} are valid
D _{Sniff}	2	uint16	slots	Only even values less than T _{Sniff} are valid
Encap_Data	16	Multiple bytes		MSBs zero padded when data is less than 16 bytes. Little-endian format
Encap_Major_Type	1	uint8		See Table 5.4
Encap_Minor_Type	1	uint8		See Table 5.4
Encap_Payload_Length	1	uint8		See Table 5.4
Encryption_Mode	1	uint8		0: no encryption 1: encryption 2: previously used 3-255: reserved for future use
Error_Code	1	uint8		See [Vol 1] Part F
Escape_Opcode	1	uint8		Identifies which Escape_Opcode is being acknowledged: range 124-127
eSCO_Handle	1	uint8		
eSCO_LT_ADDR	1	uint3		Logical transport address for the eSCO logical transport. Valid range is 1-7.
eSCO_Packet_Type	1	uint8		0x00 (C → P): POLL 0x00 (P → C): NULL 0x07: EV3 0x0C: EV4 0x0D: EV5 0x26: 2-EV3 0x2C: 2-EV5 0x37: 3-EV3 0x3D: 3-EV5 Other values are reserved for future use
Extended_Features	8	uint1 [64]		The n^{th} (numbering from 0) element represents feature number $64P + n$ in Tables 3.2 onwards, where P is the relevant features page number.
Extended Opcode	1	uint8		Which Extended Opcode is being acknowledged

Table 5.2: Parameters in LM PDUs (Sheet 5 of 11)



Name	Length (bytes)	Type	Unit	Detailed
Features	8	uint1 [64]		The n^{th} (numbering from 0) element represents feature number n in Table 3.2
Features_Page	1	uint8		Identifies which page of extended features is being requested. 0 means standard features 1-255 other feature pages
Hold_Instant	4	uint32	slots	Bits 27:1 of the Central's clock value. Only even values are valid
Hold_Time	2	uint16	slots	Only even values less than or equal to ($supervisionTO * 0.999$) are valid. Mandatory range 0x0014 to 0x8000.
IO_Capabilities	1	uint8		0: Display only 1: Display YesNo 2: KeyboardOnly 3: NoInputNoOutput 4-255: reserved for future use
Jitter	1	uint8	µs	
Key	16	multiple bytes		
Key_Size	1	uint8	byte	
Key_Size_Mask	2	uint1 [16]		Supported broadcast encryption key sizes: first element is support for length 1, and so on. The bit shall be one if the key size is supported.
LT_ADDR	1	uint4		
Max_Slots	1	uint8	slots	
Max_Sniff_Subrate	1	uint8	subrate	Valid range: 1-255
Max_Supported_Page	1	uint8		Highest page of extended features which contains a non-zero bit for the originating device. Range 0-255
Min_Sniff_Mode_Timeout	2	uint16	slots	Only even values are valid
Name_Fragment	14	utf8s{14z}		UTF-8 characters.

Table 5.2: Parameters in LM PDUs (Sheet 6 of 11)



Name	Length (bytes)	Type	Unit	Detailed
Name_Length	1	uint8	bytes	
Name_Offset	1	uint8	bytes	
N _{BC}	1	uint8		Minimum number of times that an APB broadcast packet should be sent.
Negotiation_State	1	uint8		0: Initiate negotiation 1: the latest received set of negotiable parameters were possible but these parameters are preferred. 2: the latest received set of negotiable parameters would cause a reserved slot violation. 3: the latest received set of negotiable parameters would cause a latency violation. 4: the latest received set of negotiable parameters are not supported. Other values are reserved for future use
Nonce_Value	16	Multiple bytes		Little-endian Format
Notification_Type	1	uint8		0=passkey entry started 1=passkey digit entered 2=passkey digit erased 3=passkey cleared 4=passkey entry completed 5-255: reserved for future use
N _{Poll}	1	uint8		
N _{SAM_SM}	1	uint8	sub-maps	Number of submaps in the SAM slot map; range 0 to 48
OOB_Auth_Data	1	uint8		0: No OOB Authentication Data received 1: OOB Authentication Data received 2-255: reserved for future use
Opcode	1	uint8		

Table 5.2: Parameters in LM PDUs (Sheet 7 of 11)



Name	Length (bytes)	Type	Unit	Detailed
Packet_Length	2	uint16	bytes	Length of the eSCO payload 0 for POLL/NULL 1-30 for EV3 1-120 for EV4 1-180 for EV5 1-60 for 2-EV3 1-360 for 2-EV5 1-90 for 3-EV3 1-540 for 3-EV5 Other values are invalid
Packet_Type_Table	1	uint8		0: 1 Mb/s only 1: 2/3 Mb/s 2-255: reserved for future use
Paging_Scheme	1	uint8		0: mandatory scheme 1-255: reserved for future use
Paging_Scheme_-_Settings	1	uint8		For mandatory scheme: 0: R0 1: R1 2: R2 3-255: reserved for future use
Poll_Interval	2	uint16	slots	Only even values are valid. Mandatory range 0x0006 to 0x1000.
Power_Adj_Req	1	uint8		0: decrement power one step 1: increment power one step 2: increase to maximum power 3-255: reserved for future use
Power_Adj_Rsp	1	uint2 [4]		element 0: GFSK element 1: $\pi/4$ -DQPSK element 2: 8DPSK element 3: reserved for future use Each 2-bit value is defined as follows 0: not supported 1: changed one step, (not min or max) 2: max power 3: min power
Random_Number	16	multiple bytes		
Reserved	1	uint8		Reserved for future use

Table 5.2: Parameters in LM PDUs (Sheet 8 of 11)



Name	Length (bytes)	Type	Unit	Detailed
SAM_Index	1	uint8		Index of the SAM slot map. Mandatory values 0, 1, 2, and 0xFF.
SAM_Instant	4	uint32	slots	CLK[27:1] at the instant the SAM slot map is to be activated. Only even values are valid.
SAM_Submaps	12	uint2 [48]		<p>This parameter contains 48 2-bit fields. Only the first N_{SAM_SM} fields are significant; the remainder are reserved for future use.</p> <p>The n^{th} (numbering from 0) such field defines the submap type of the n^{th} submap in the map.</p> <p>The meanings of the possible values are:</p> <ul style="list-style-type: none"> 0 = Each slot is individually available or unavailable as configured. Slots may have different availabilities for transmission and reception 1 = All slots are available for transmission and reception 2 = All slots are unavailable for transmission and reception 3 = reserved for future use
SAM_Type0_Submap	14	uint2 [56]		<p>This parameter contains 56 2-bit fields.</p> <p>The n^{th} (numbering from 0) such field defines the slot type of the n^{th} slot.</p> <p>The meanings of the possible values are:</p> <ul style="list-style-type: none"> 0 = The slot is not available for either transmission or reception 1 = The slot is available for transmission but not reception 2 = The slot is available for reception but not transmission 3 = The slot is available for both transmission and reception

Table 5.2: Parameters in LM PDUs (Sheet 9 of 11)



Name	Length (bytes)	Type	Unit	Detailed
SCO_Handle	1	uint8		
SCO_Packet	1	uint8		0: HV1 1: HV2 2: HV3 3-255: reserved for future use
Slot_Offset	2	uint16	µs	Valid range is 0 to 1249
Sniff_Attempt	2	uint16	received slots	Number of receive slots. Mandatory range 1 to $T_{sniff}/2$
Sniff_Subrating_Instant	4	uint32	slots	Bits 27:1 of the Central's clock value Only even values are valid
Sniff_Timeout	2	uint16	received slots	Number of receive slots. Mandatory range 0 to 0x0028.
Subversion	2	uint16		Defined by each company
Supervision_Timeout	2	uint16	slots	Mandatory values 0 and 0x0190 to 0xFFFF. 0 means an infinite timeout
Switch_Instant	4	uint32	slots	Bits 27:1 of the Central's clock value Only even values are valid
T_{eSCO}	1	uint8	slots	Valid range is 4 – 254 slots Only even values are valid
Timing_Control_Flags	1	uint8		bit0 = 0: no timing change bit0 = 1: timing change bit1 = 0: use initialization 1 bit1 = 1: use initialization 2 bit2 = 0: access window bit2 = 1: no access window bit3-7: reserved for future use
T_{SAM_SM}	1	uint8	slots	Length of each SAM submap. Range 2 to 56. Only even values are valid
T_{SCO}	1	uint8	slots	Only even values are valid. Mandatory values 2 and 6.

Table 5.2: Parameters in LM PDUs (Sheet 10 of 11)



Name	Length (bytes)	Type	Unit	Detailed
T _{Sniff}	2	uint16	slots	Only even values less than or equal to (<i>supervisionTO</i> * 0.999) are valid. Mandatory values: valid values in the range 0x0006 to 0x0540.
Update_Mode	1	uint8		0: Existing SAM slot maps containing any type 0 submaps are invalidated 1: The defined type 0 submap takes effect immediately 2: The defined type 0 submap takes effect at the start of the next sub-interval All other values are reserved for future use.
Version	1	uint8		See Assigned Numbers
W _{eSCO}	1	uint8	slots	Number of slots in the retransmission window Valid range is 0 – 254 slots Only even values are valid

Table 5.2: Parameters in LM PDUs (Sheet 11 of 11)

If a parameter is described as "only even values are valid" and a device receives an LMP PDU with an odd value for this parameter field, the PDU should be rejected with an error code of *Invalid LMP Parameters* (0x1E).

Where a parameter is described as bits N:M of some other value V, the parameter value in the PDU shall be V shifted right by M bits. Where the space available for the parameter is greater than that needed (N-M+1 bits), the parameter value still occupies the entire space and the remaining bits shall be zero.

For example, if a 16 bit parameter is equal to 0xDEAD and bits 10:6 are stored in a uint8, the resulting parameter will be 0x1A.

The mandatory values for eSCO parameters are shown in [Table 5.3](#).

	Single Slot Packets	3-Slot Packets
Packet type and T_{eSCO}	EV3: 6 2-EV3: 6-12 (even) 3-EV3: 6-18 (even)	EV4: 16 EV5: 16 2-EV5: 16 3-EV5: 16
W_{eSCO}	0, 2, and 4	0 and 6

Table 5.3: Mandatory parameter ranges for eSCO packet types



	Single Slot Packets	3-Slot Packets
Packet_Length (in each direction)	$10 \cdot T_{eSCO} / 2$	$10 \cdot T_{eSCO} / 2$
Air_Mode	At least one of A-law, μ -law, CVSD, transparent	transparent

Table 5.3: Mandatory parameter ranges for eSCO packet types

5.3 LMP ENCAPSULATED

Name	Major Type	Minor Type	Payload Length	Detailed
P-192 Public Key	1	1	48	X, Y format Bytes 23-0: X co-ordinate Bytes 47-24: Y co-ordinate Little-endian Format
P-256 Public Key	1	2	64	X, Y format Bytes 31-0: X co-ordinate Bytes 63-32: Y co-ordinate Little-endian Format

Table 5.4: LMP encapsulated

All other combinations of major and minor type are reserved for future use.

5.4 DEFAULT VALUES

Devices shall use these values before anything else has been negotiated:

Parameter	Value
AFH_Mode	disabled
AFH_Reporting_Mode	disabled
Drift	250
Jitter	10
Max_Slots	1
Poll_Interval	40

Table 5.5: Device default values



APPENDIX A CHANGES TO PARAMETER NAMES

Previous versions of this specification used different names for some of the parameters listed in [Section 5.2](#). [Table A.1](#) shows the previous and current names where a name has been changed; [Table A.2](#) shows those names that have not changed.

Previous name	Current name
access scheme	Access_Scheme
AFH_channel_classification	AFH_Channel_Classification
AFH_channel_map	AFH_Channel_Map
AFH_instant	AFH_Instant
AFH_max_interval	AFH_Max_Interval
AFH_min_interval	AFH_Min_Interval
AFH_mode	AFH_Mode
AFH_reporting_mode	AFH_Reporting_Mode
air mode	Air_Mode
authentication response	Authentication_Rsp
clk_adj_clk	Clk_Adj_Clk
clk_adj_id	Clk_Adj_ID
clk_adj_instant	Clk_Adj_Instant
clk_adj_mode	Clk_Adj_Mode
clk_adj_period	Clk_Adj_Period
clk_adj_slots	Clk_Adj_Slots
clk_adj_us	Clk_Adj_Offset
clock offset	Clock_Offset
Commitment value	Commitment_Value
Compld	Company_Identifier
Confirmation value	Confirmation_Value
data rate	Data_Rate
drift	Drift
D _{sniff}	D _{Sniff}
encapsulated data	Encap_Data
encapsulated major type	Encap_Major_Type

Table A.1: Changes to parameter names (Sheet 1 of 4)



Previous name	Current name
encapsulated minor type	Encap_Minor_Type
encapsulated payload length	Encap_Payload_Length
encryption mode	Encryption_Mode
error code	Error_Code
escape op code	Escape_Opcode
eSCO handle	eSCO_Handle
eSCO LT_ADDR	eSCO_LT_ADDR
eSCO packet type	eSCO_Packet_Type
extended features	Extended_Features
extended op code	Extended_Opcode
features	Features
features page	Features_Page
for future use	Reserved
hold instant	Hold_Instant
hold time	Hold_Time
hopping mode	Hopping_Mode
jitter	Jitter
key	Key
key size	Key_Size
key size mask	Key_Size_Mask
length of test data	Test_Data_Length
max slots	Max_Slots
max supported page	Max_Supported_Page
max_sniff_subrate	Max_Sniff_Subrate
min_sniff_mode_timeout	Min_Sniff_Mode_Timeout
name fragment	Name_Fragment
name length	Name_Length
name offset	Name_Offset
negotiation state	Negotiation_State
Nonce Value	Nonce_Value
Notification Type	Notification_Type
N_{poll}	N_{Poll}

Table A.1: Changes to parameter names (Sheet 2 of 4)



Previous name	Current name
N _{SAM-SM}	N _{SAM_SM}
OOB Authentication Data	OOB_Auth_Data
op code	Opcode
packet length	Packet_Length
packet type	Packet_Type
packet type table	Packet_Type_Table
paging scheme	Paging_Scheme
paging scheme settings	Paging_Scheme_Settings
poll interval	Poll_Interval
poll period	Poll_Period
power_adjustment_request	Power_Adj_Req
power_adjustment_response	Power_Adj_Rsp
power control mode	Power_Mode
random number	Random_Number
RX frequency	RX_Frequency
SAM_Type0-Submap	SAM_Type0_Submap
SCO handle	SCO_Handle
SCO packet	SCO_Packet
slot offset	Slot_Offset
sniff attempt	Sniff_Attempt
sniff timeout	Sniff_Timeout
sniff_subrating_instant	Sniff_Subrating_Instant
SubVersNr	Subversion
supervision timeout	Supervision_Timeout
switch instant	Switch_Instant
test scenario	Test_Scenario
timing control flags	Timing_Control_Flags
T _{SAM-SM}	T _{SAM_SM}
T _{sniff}	T _{Sniff}
TX frequency	TX_Frequency

Table A.1: Changes to parameter names (Sheet 3 of 4)



Previous name	Current name
Update Mode	Update_Mode
VersNr	Version

Table A.1: Changes to parameter names (Sheet 4 of 4)

Parameter name
Authentication_Requirements
BD_ADDR
D _{eSCO}
D _{SAM}
D _{SCO}
IO_Capabilities
LT_ADDR
N _{BC}
SAM_Index
SAM_Instant
SAM_Submaps
T _{eSCO}
T _{SCO}
W _{eSCO}

Table A.2: Unchanged parameter names

BR/EDR Controller
Part D

**[THIS PART IS NO LONGER
USED]**

Controller Error Codes are located in [\[Vol 1\] Part F](#)

BR/EDR Controller
Part E

**[THIS PART IS NO LONGER
USED]**

Host Controller Interface Functional Specification is located in
[\[Vol 4\] Part E](#)

MESSAGE SEQUENCE CHARTS

Examples of interactions between Host Controller Interface commands and events and Link Manager Protocol Data Units are represented in the form of message sequence charts. These charts show typical interactions and do not indicate all possible protocol behavior.



CONTENTS

1	Introduction.....	719
1.1	Notation	719
1.2	Flow of control	720
1.3	Example MSC.....	720
1.4	Forward compatibility.....	720
2	Services without connection request	722
2.1	Remote Name Request.....	722
2.2	One-time inquiry	724
2.3	Periodic inquiry	726
3	ACL connection establishment and detachment.....	729
3.1	Connection setup.....	730
4	Optional activities after ACL connection establishment.....	738
4.1	Authentication requested	738
4.2	Secure Simple Pairing message sequence charts	740
4.2.1	Optional OOB information collection.....	741
4.2.2	Enable Secure Simple Pairing and secure connections ... 742	
4.2.3	Connection establishment.....	743
4.2.4	L2CAP connection request for a secure service.....	743
4.2.5	Optional OOB information transfer.....	744
4.2.6	Start Secure Simple Pairing.....	744
4.2.7	IO capability exchange.....	745
4.2.8	Public key exchange	746
4.2.9	Authentication	747
4.2.10	Numeric Comparison	747
4.2.11	Numeric Comparison failure on initiating side.....	748
4.2.12	Numeric Comparison failure on responding side	749
4.2.13	Passkey Entry	750
4.2.14	Passkey Entry failure on responding side.....	751
4.2.15	Passkey Entry failure on initiator side	752
4.2.16	Out of Band.....	753
4.2.17	OOB failure on initiator side	755
4.2.18	DHKey checks	756
4.2.19	Calculate link key	757
4.2.20	Enable encryption	758
4.2.21	L2CAP connection response	758



4.2.22	LMP ping	759
4.3	Link Supervision Timeout Changed event	761
4.4	Set Connection Encryption	761
4.5	Change connection link key	764
4.6	Change connection link key with encryption pause and resume ...	765
4.7	Temporary Link Key	766
4.8	Read remote supported features	767
4.9	Read remote extended features	768
4.10	Read clock offset	769
4.11	Role switch on an encrypted link using encryption pause and resume	770
4.12	Refreshing encryption keys	771
4.13	Read remote version information	772
4.14	QoS setup	773
4.15	Switch role	774
4.16	[This section is no longer used]	775
4.17	[This section is no longer used]	775
4.18	Slot availability mask	775
4.19	LMP transaction collision	779
5	Synchronous connection establishment and detachment	780
5.1	Synchronous connection setup	780
5.2	Synchronous connection setup with enhanced synchronous commands	787
6	Sniff and Hold modes	794
6.1	Sniff mode	794
6.2	Hold mode	795
6.3	[This section is no longer used]	797
7	Buffer management, flow control	798
8	Loopback mode	800
8.1	Local Loopback mode	800
8.2	Remote Loopback mode	802
9	Connectionless Peripheral Broadcast services	804



1 INTRODUCTION

This Part shows typical interactions between Host Controller Interface (HCI) commands and events and Link Manager (LM) Protocol Data Units (PDU) on the BR/EDR Controller. It provides message sequence charts (MSCs) for a range of common Link Manager procedures and the associated Host commands.

This Part illustrates only the most useful scenarios, it does not cover all possible alternatives. Furthermore, the message sequence charts do not consider errors over the air interface or Host interface. In all message sequence charts it is assumed that all events are not masked, so the Controller will not filter out any events.

The sequence of messages in these message sequence charts is for illustrative purposes. The messages may be sent in a different order where allowed by the Link Manager or HCI. If any of these charts differ with text in the Baseband, Link Manager, or HCI Parts, the text in those Parts overrides these charts.

1.1 NOTATION

The notation used in the message sequence charts (MSCs) consists of ovals, elongated hexagons, boxes, lines, and arrows. The vertical lines terminated on the top by a shadow box and at the bottom by solid oval indicate a protocol entity that resides in a device. MSCs describe interactions between these entities and states those entities may be in.

The following symbols represent interactions and states:

Oval	Defines the context for the message sequence chart.
Hexagon	Indicates a condition needed to start the transactions below this hexagon. The location and width of the Hexagon indicates which entity or entities make this decision.
Box	Replaces a group of transactions. May indicate a user action, or a procedure in the Baseband.
Dashed Box	Optional group of transactions.
Solid Arrow	Represents a message, signal or transaction. Can be used to show LMP and HCI traffic. Some Baseband packet traffic is also shown. These are prefixed by BB followed by either the type of packet, or an indication that there is an ACK signal in a packet.
Dashed Arrow	Represents an optional message, signal or transaction. Can be used to show LMP and HCI traffic.



1.2 FLOW OF CONTROL

Some message sequences are split into several charts. In these charts, numbers indicate normal or required ordering and letters represent alternative paths. For example, Step 4 is after Step 3, and Step 5a could be executed instead of Step 5b.

1.3 EXAMPLE MSC

The protocol entities represented in the example shown in [Figure 1.1](#) illustrate the interactions of two devices named A and B. Each device includes a Host and a LM entity in this example. Other MSCs in this Part may show the interactions of more than two devices.

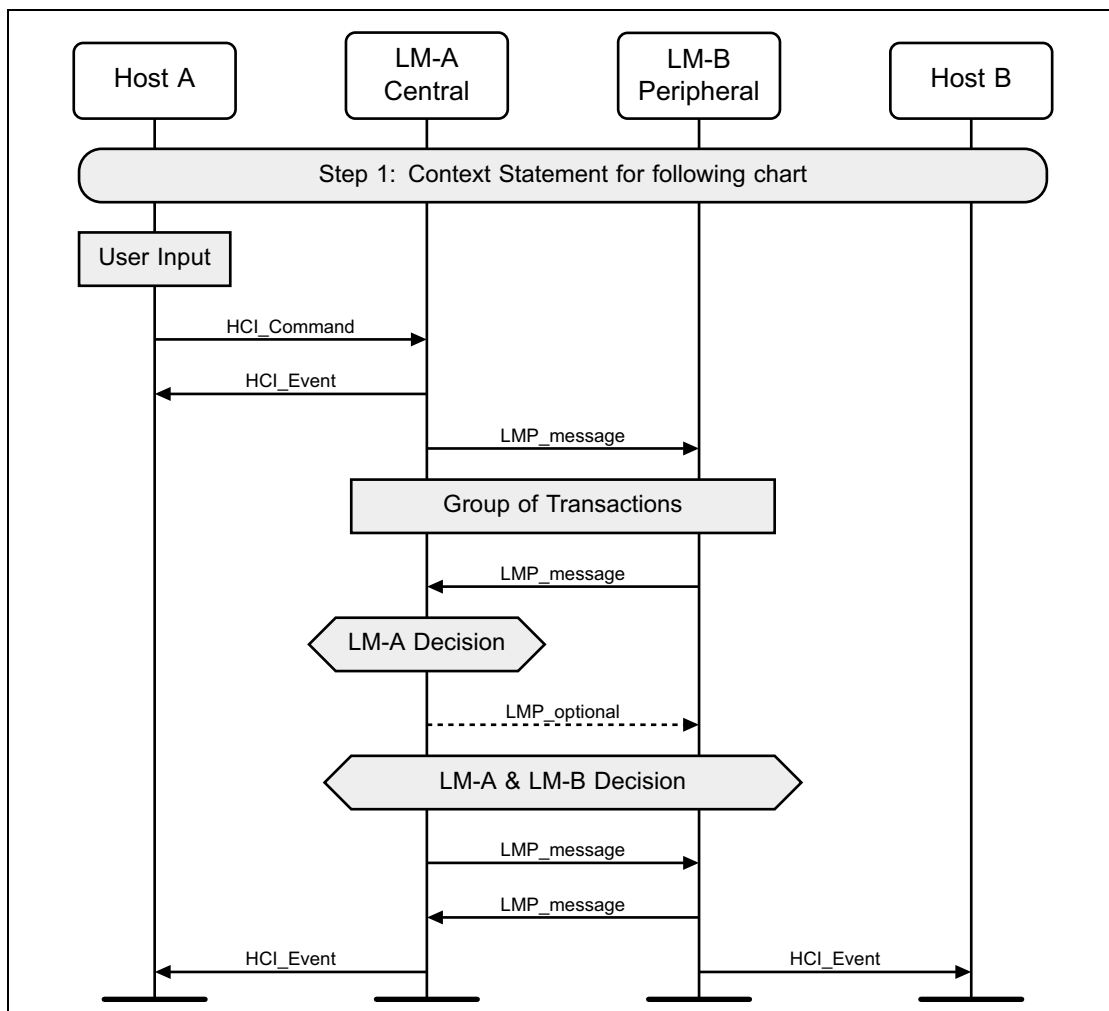


Figure 1.1: Example MSC

1.4 FORWARD COMPATIBILITY

Many of the message sequences in this Part use HCI commands or events that have enhanced or extended variants that were added to the specification later



than the relevant sequence. Such variants can be related commands or events with different names (e.g., HCI_Flush and HCI_Enhanced_Flush commands) or commands or events with multiple versions (e.g., HCI_Encryption_Change event). In some instances (for example, see [\[Vol 4\] Part E, Section 3.1.1](#)), a Host is required to use the new variant rather than the one shown in the MSC. Even when this is not a requirement, Host implementers may prefer to use the newer variants.

In these circumstances, the MSCs have not been rewritten to use newer features but have been left unchanged. In general, the new commands and events will directly replace the old ones, but this is not always the case and readers should not assume it.



2 SERVICES WITHOUT CONNECTION REQUEST

2.1 REMOTE NAME REQUEST

The service Remote Name Request is used to find out the name of the remote device without requiring an explicit ACL connection.

Step 1: The Host sends an HCI_Set_Event_Mask with the bit of Remote Host Supported Features Notification event (bit 60) set and an HCI_Remote_Name_Request command expecting that its local device will automatically try to connect to the remote device. (See [Figure 2.1.](#))

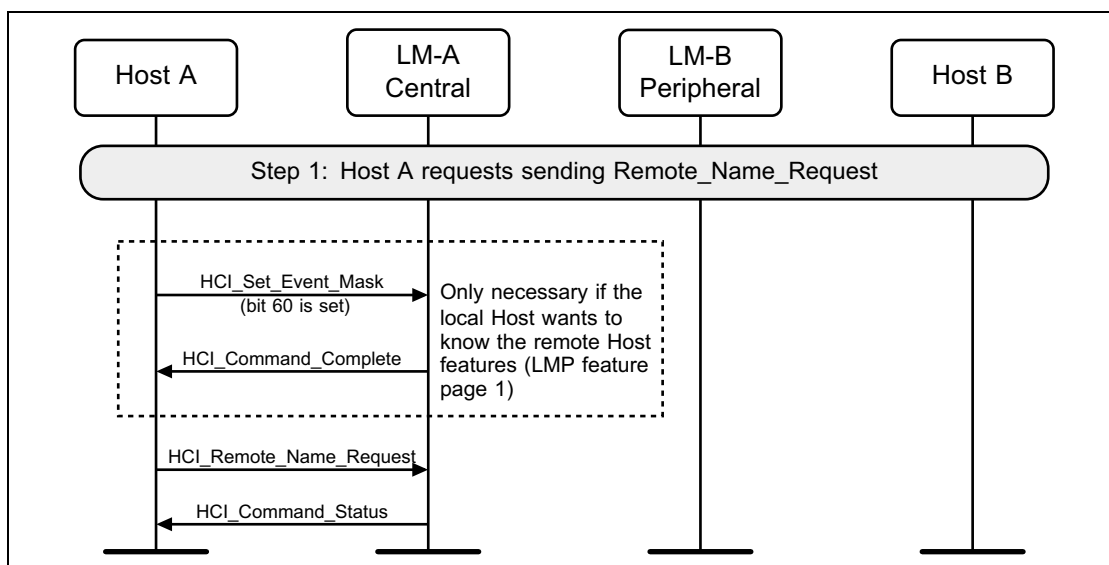


Figure 2.1: Remote name request



Step 2a: If an ACL connection does not exist device A pages device B. After the Baseband Paging procedure, the local device attempts to get the remote device's extended features, send an HCI_Remote_Host_Supported_Features_Notification event, get the remote name, disconnect, and return the name of the remote device to the Host. (See [Figure 2.2.](#))

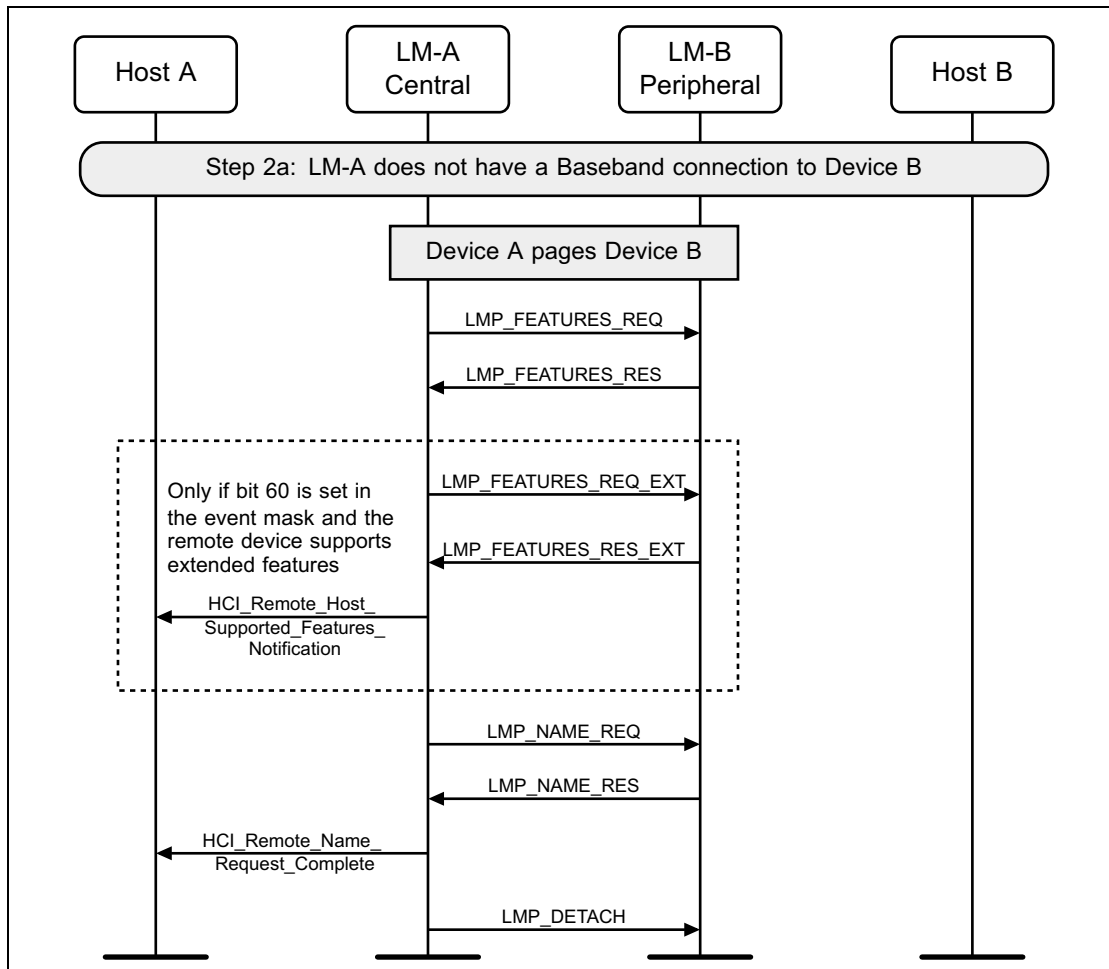


Figure 2.2: Remote name request if no current Baseband connection



Step 2b: If an ACL connection exists when the request is made, then the Remote Name Request procedure will be executed like an optional service. No Paging and no ACL disconnect is done. (See [Figure 2.3.](#))

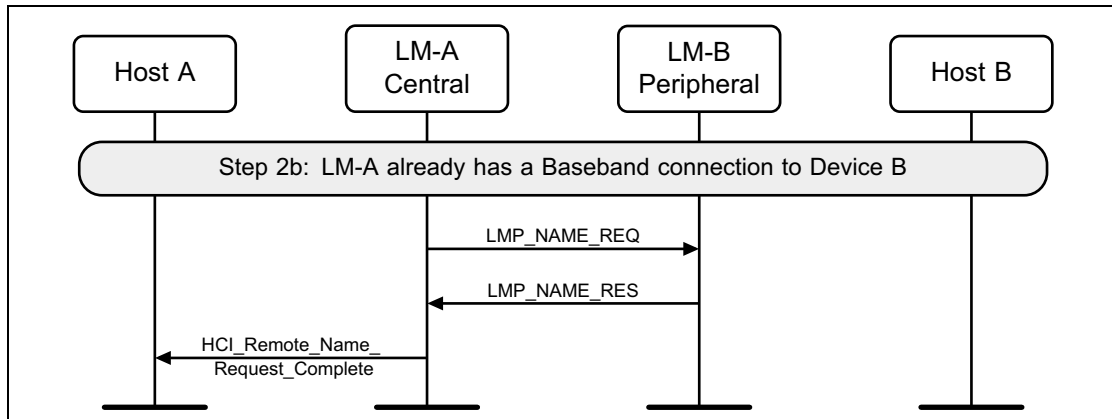


Figure 2.3: Remote name request with Baseband connection

2.2 ONE-TIME INQUIRY

Inquiry is used to detect and collect nearby devices.

Step 1: The Host sends an HCI_Inquiry command. (See [Figure 2.4.](#))

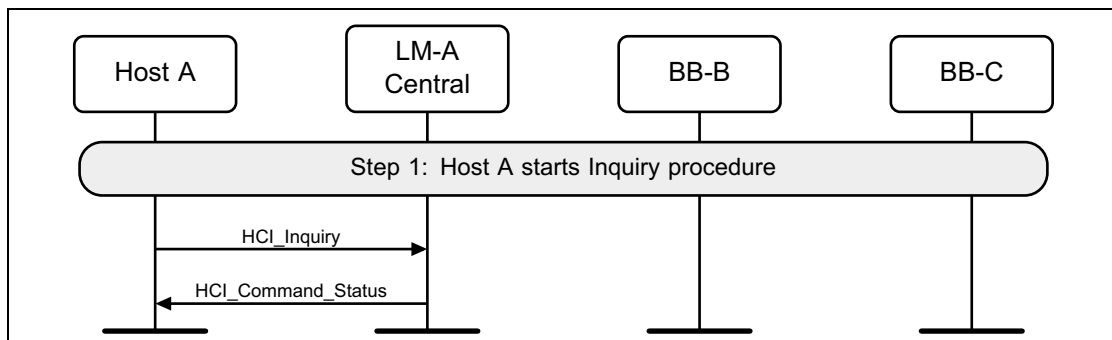


Figure 2.4: Host A starts inquiry procedure



Step 2: The Controller will start the Baseband Inquiry procedure with the specified Inquiry Access Code and Inquiry Length. When inquiry responses are received, the Controller extracts the required information and returns the information related to the found devices using one or more HCI_Inquiry_Result events to the Host. (See [Figure 2.5.](#))

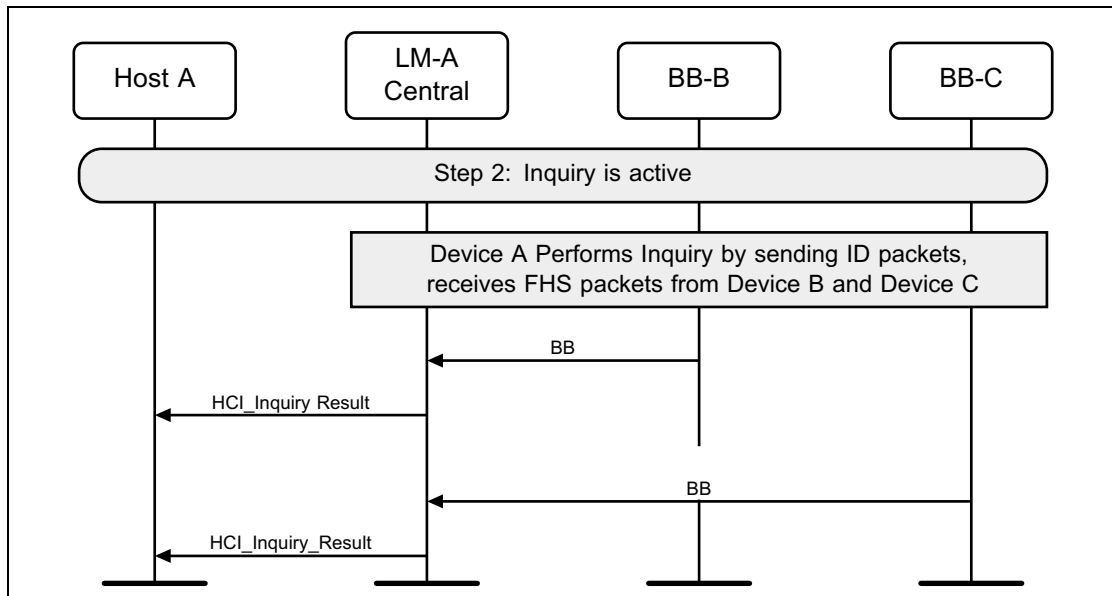


Figure 2.5: LM-A performs inquiry and reports result

Step 3a: If the Host wishes to terminate an Inquiry, the HCI_Inquiry_Cancel command is used to immediately stop the inquiry procedure. (See [Figure 2.6.](#))

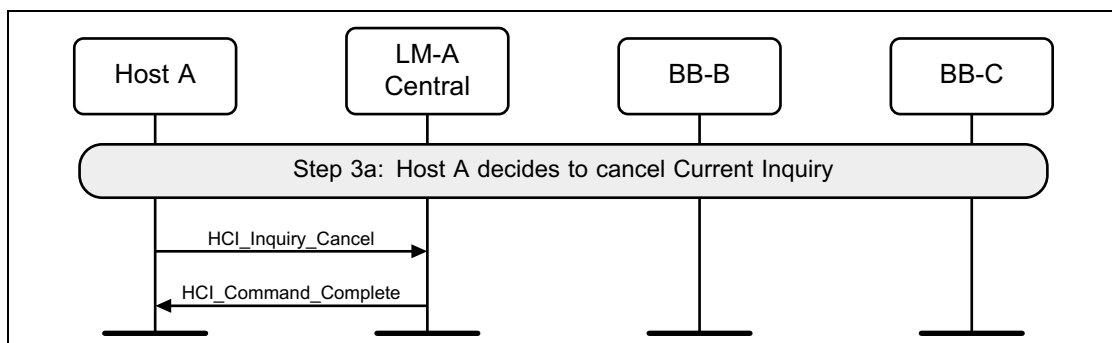


Figure 2.6: Host A cancels inquiry



Step 3b: If the Inquiry procedure is completed due to the number of results obtained, or the Inquiry Length has expired, an HCI_Inquiry_Complete event is returned to the Host. (See [Figure 2.7.](#))

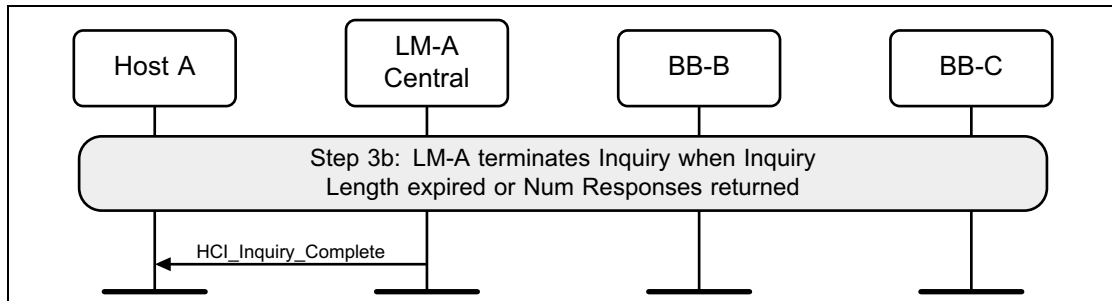


Figure 2.7: LM-A terminates current inquiry

2.3 PERIODIC INQUIRY

Periodic inquiry is used when the inquiry procedure is to be repeated periodically.

Step 1: The Hosts sends an HCI_Periodic_Inquiry_Mode command. (See [Figure 2.8.](#))

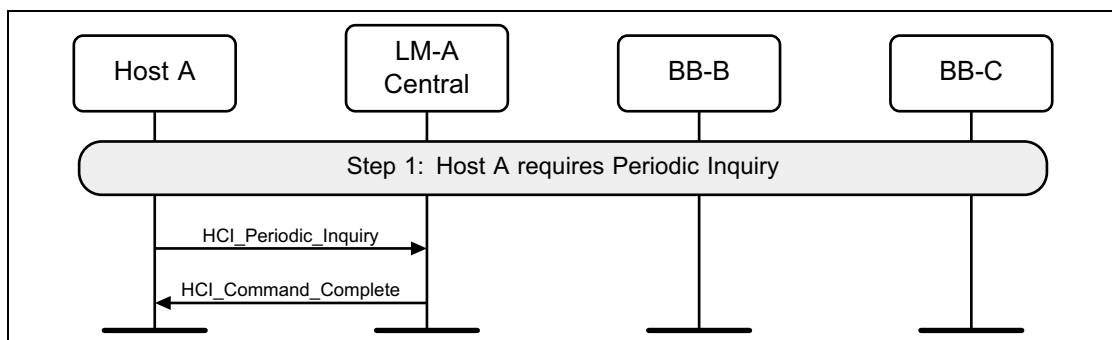


Figure 2.8: Host A starts periodic inquiry



Step 2: The Controller will start a periodic Inquiry. In the inquiry cycle, one or several HCI_Inquiry_Result events will be returned. (See [Figure 2.9.](#))

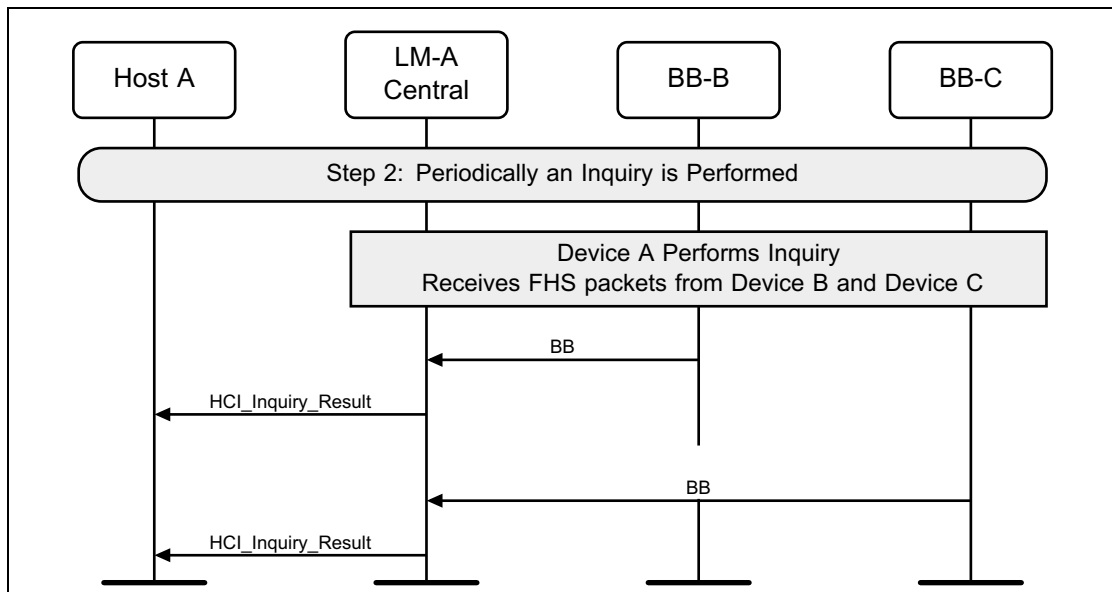


Figure 2.9: LM-A periodically performs an inquiry and reports result

Step 3: An HCI_Inquiry_Complete event will be returned to the Host when the current periodic inquiry has finished. (See [Figure 2.10.](#))

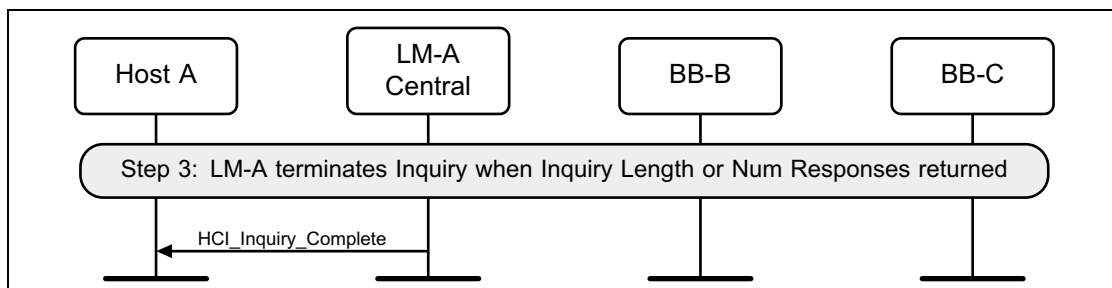


Figure 2.10: LM-A terminates current inquiry



Step 4: The periodic Inquiry can be stopped using the HCI_Exit_Periodic_Inquiry_Mode command. (See [Figure 2.11.](#))

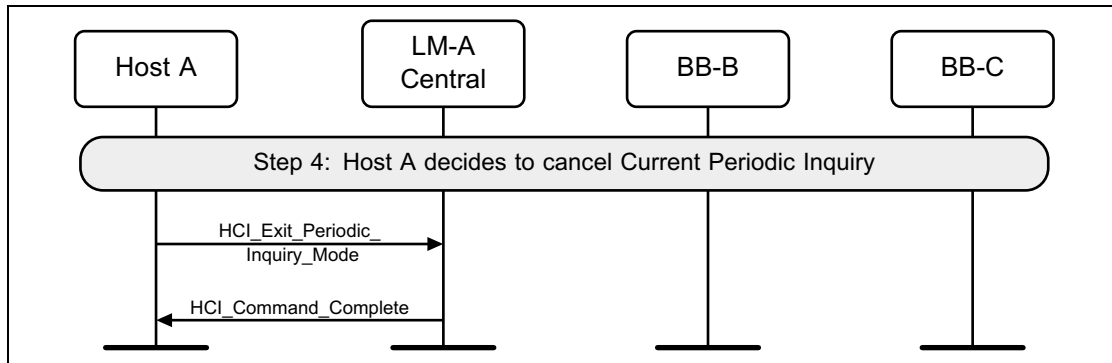


Figure 2.11: Host A decides to exit periodic inquiry



3 ACL CONNECTION ESTABLISHMENT AND DETACHMENT

A flow diagram of the establishment and detachment of a connection between two devices is shown in [Figure 3.1](#). The process is illustrated in 9 distinct steps. A number of these steps may be optionally performed, such as authentication and encryption. Some steps are required, such as the Connection Request and Setup Complete steps. The steps in the overview diagram directly relate to the steps in the following message sequence charts.

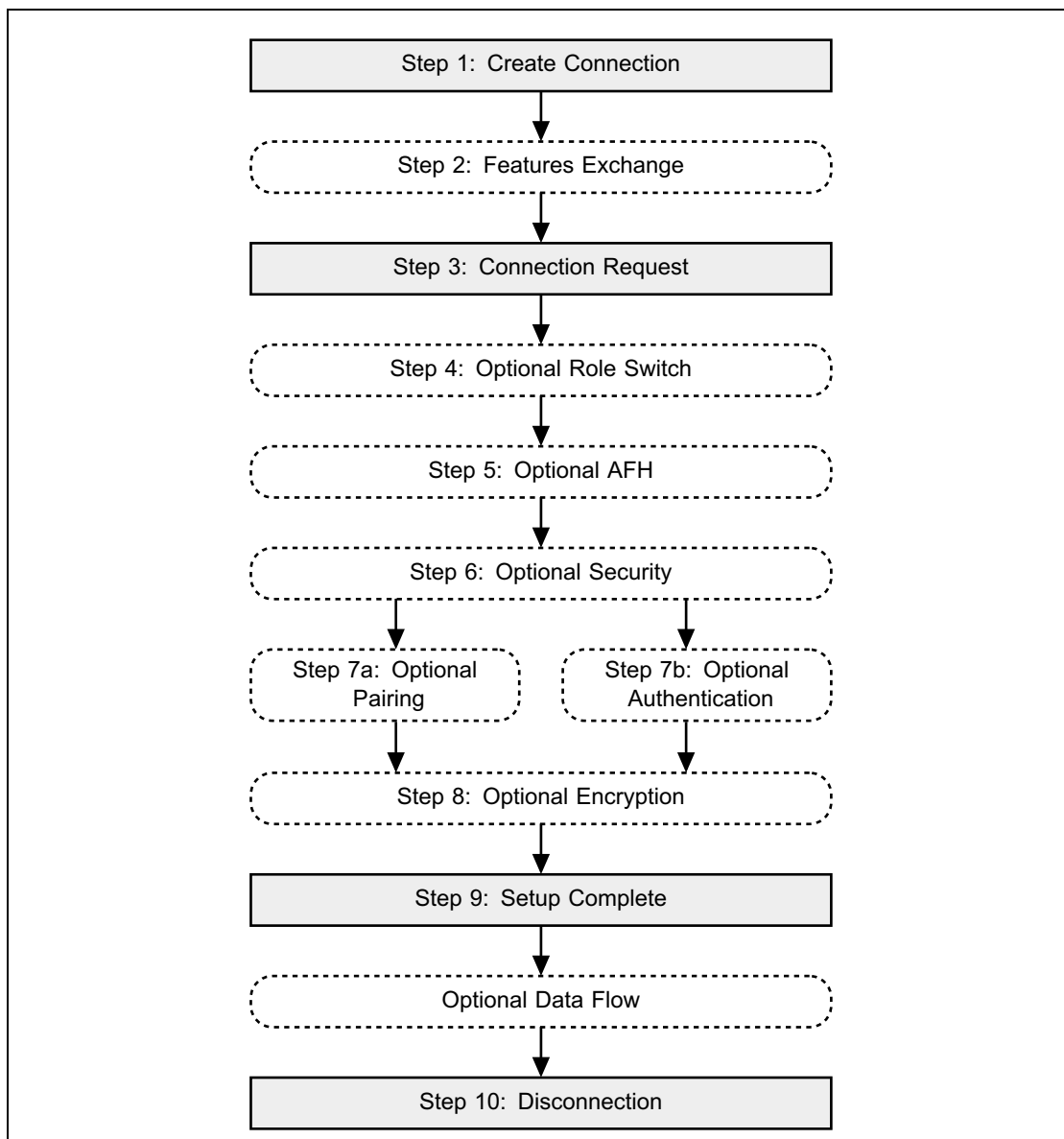


Figure 3.1: Overview diagram for connection setup



3.1 CONNECTION SETUP

Step 1: The Host sends an HCI_Create_Connection command to the Controller. The Controller then performs a Baseband Paging procedure with the specified BD_ADDR. (See [Figure 3.2.](#))

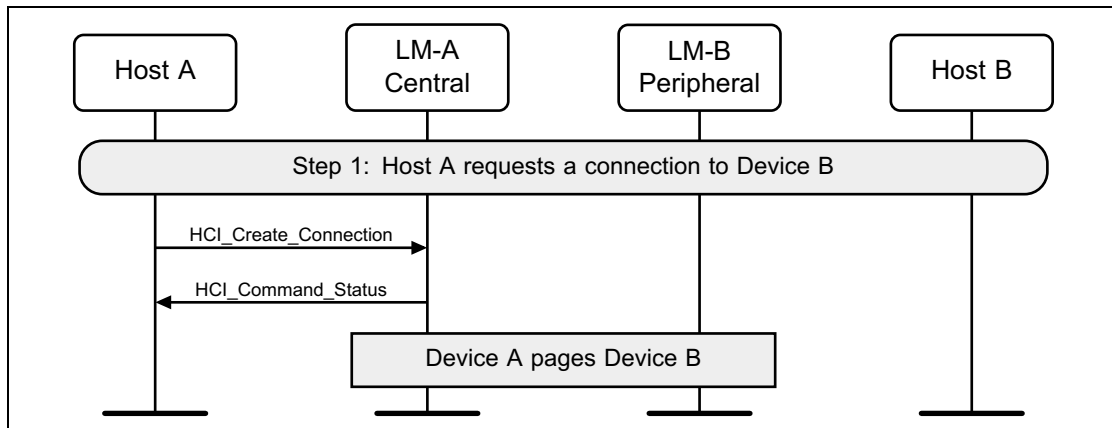


Figure 3.2: Host A requests connection with device B

Step 2: Optionally, the LM may decide to exchange features. (See [Figure 3.3.](#))

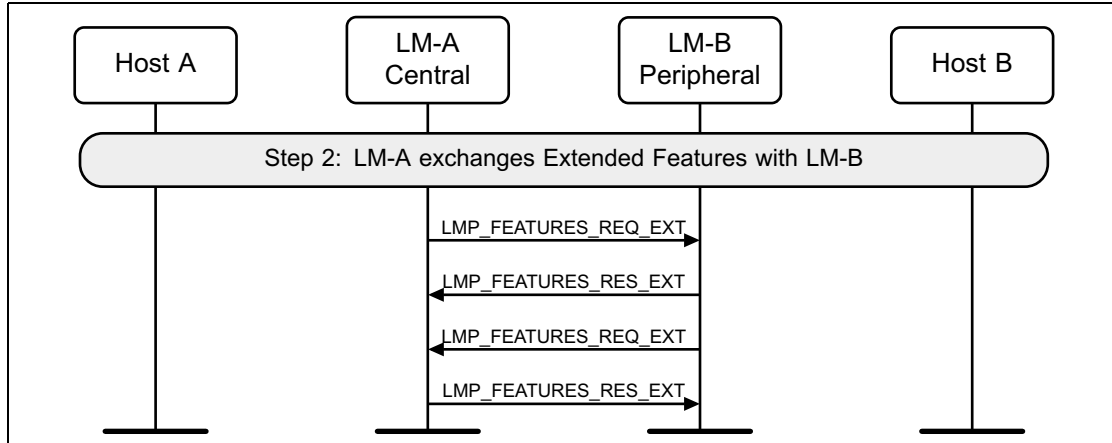


Figure 3.3: LM-A and LM-B exchange features



Step 3: The LM on the Central will request an LMP_HOST_CONNECTION_REQ PDU. The LM on the Peripheral will then confirm that a connection is OK, and if so, what role is preferred. (See [Figure 3.4](#))

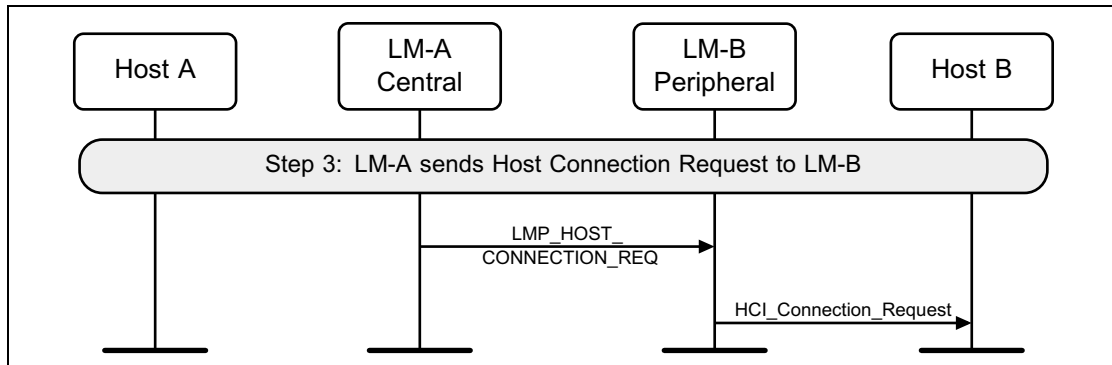


Figure 3.4: LM-A requests Host connection

Step 4a: The remote Host rejects this connection, and the link is terminated. (See [Figure 3.5.](#))

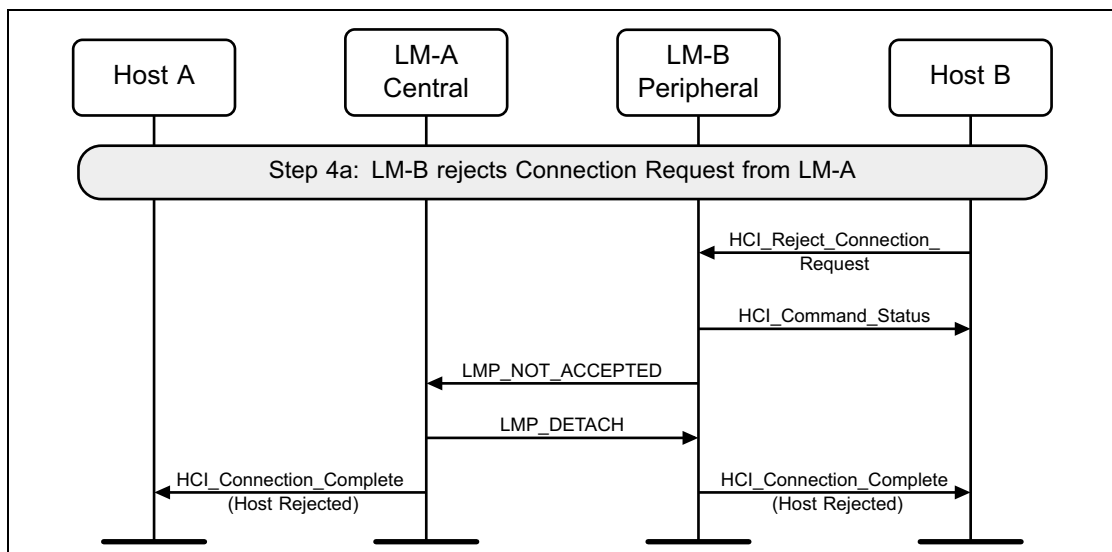


Figure 3.5: Device B rejects connection request



Step 4b: The remote Host accepts this connection. (See [Figure 3.6.](#))

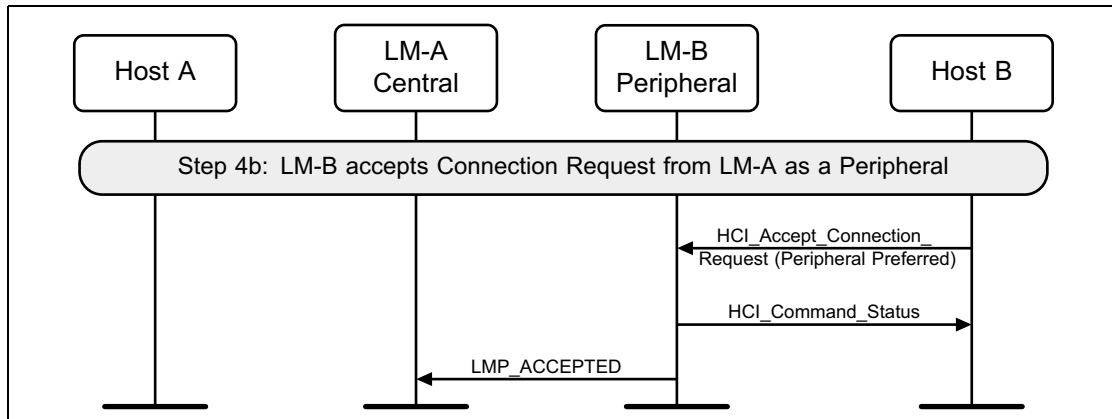


Figure 3.6: Device B accepts connection request

Step 4c: The remote Host accepts this connection but with the preference of being a Central. This will cause a role switch to occur before the LMP_ACCEPTED for the LMP_HOST_CONNECTION_REQ PDU is sent. (See [Figure 3.7.](#))

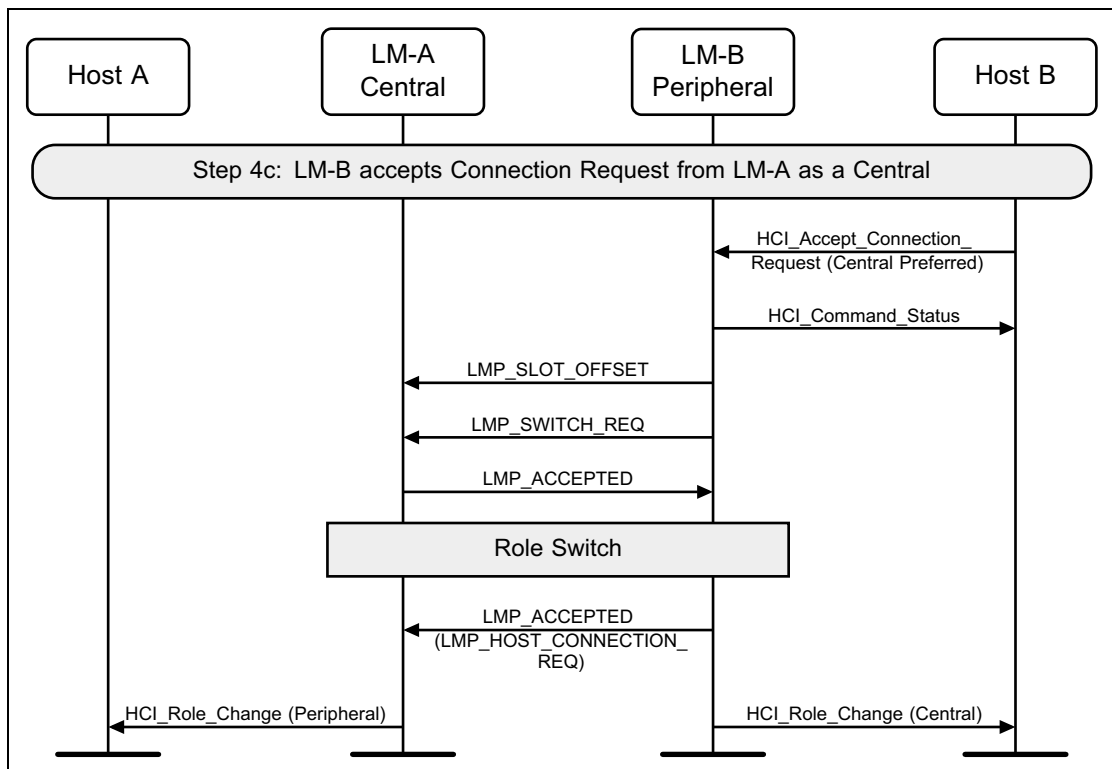


Figure 3.7: Device B accepts connection requests as Central



Step 5: After the features have been exchanged and AFH support is determined to be available, the Central may at any time send an LMP_SET_AFH and LMP_CHANNEL_CLASSIFICATION_REQ PDU. (See [Figure 3.8.](#))

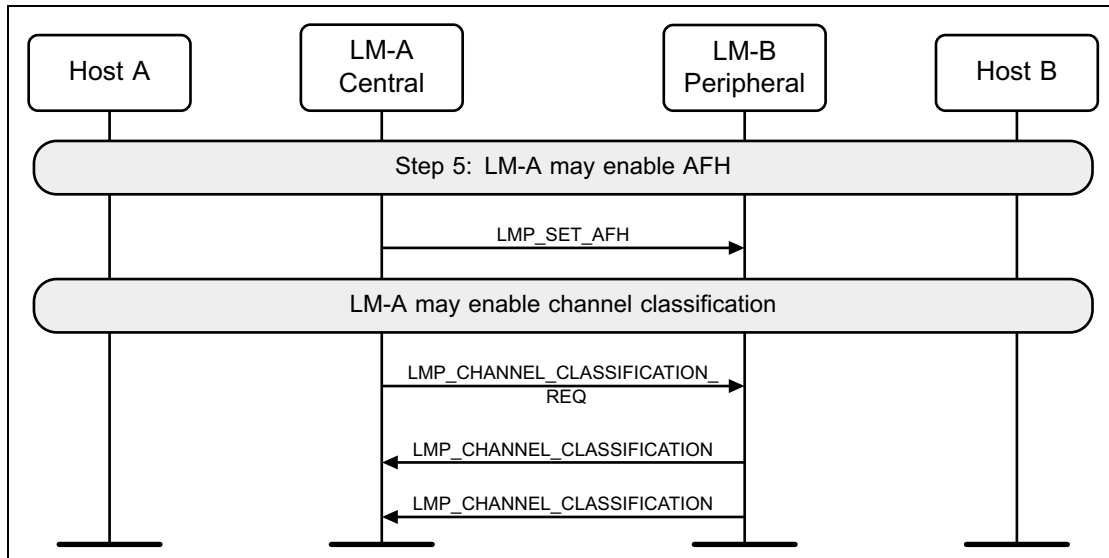


Figure 3.8: LM-A starts Adaptive Frequency Hopping

Step 6: The LM will request if authentication is required. It does this by requesting the Link Key for this connection from the Host. (See [Figure 3.9.](#))

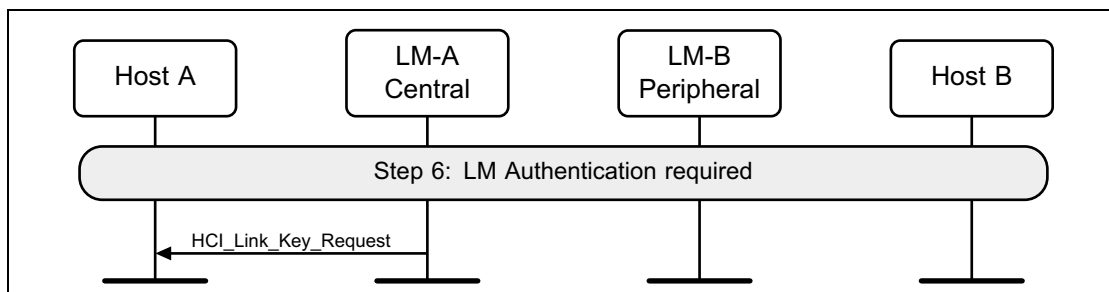


Figure 3.9: Authentication initiated



Step 7a: If authentication is required by the higher layers and the devices to be connected do not have a common link key, a pairing procedure will be used. The LM will have requested a link key from the Host for this connection. If there is a negative reply, then a PIN code will be requested. This PIN code will be requested on both sides of the connection, and authentication performed based on this PIN code. The last step is for the new link key for this connection to be passed to the Host so that it may store it for future connections. (See [Figure 3.10.](#))

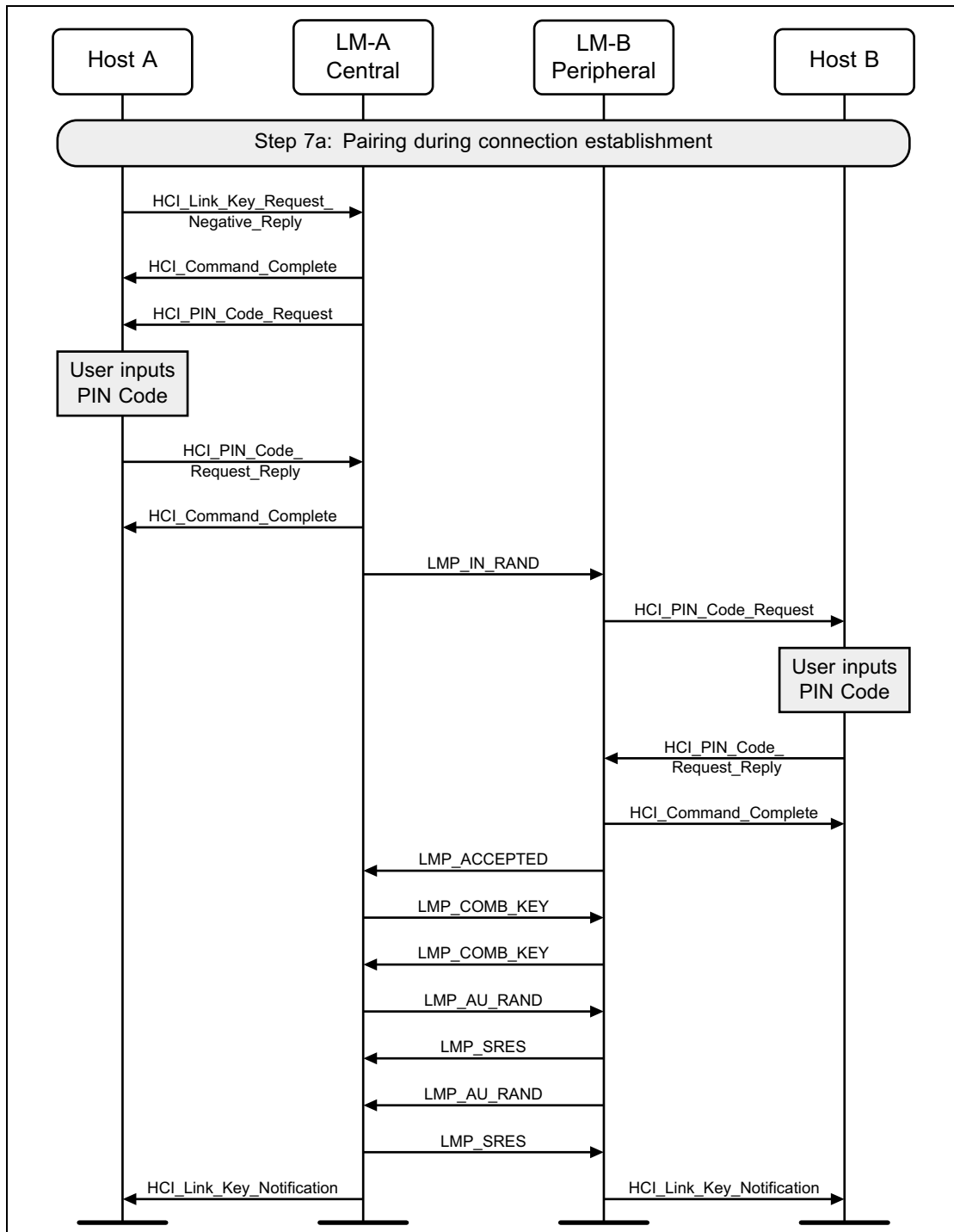


Figure 3.10: Pairing during connection setup



Step 7b: If a common link key exists between the devices, then pairing is not needed. The LM will have asked for a link key from the Host for this connection. If this is a positive reply, then the link key is used for authentication. If the configuration parameter `Authentication_Enable` is set, then the authentication procedure is executed. This MSC only shows the case when `Authentication_Enable` is set on both sides. (See [Figure 3.11.](#))

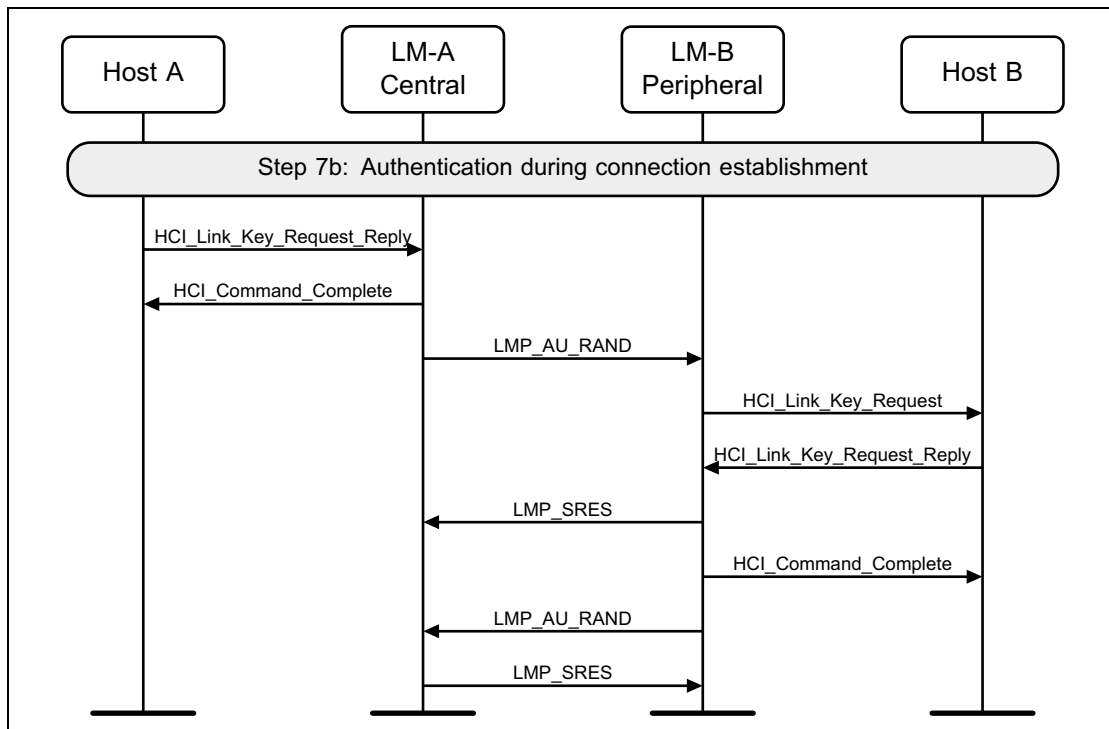


Figure 3.11: Authentication during connection setup



Step 8: Once the pairing or authentication procedure is successful, the encryption procedure may be started. This MSC only shows the set up of an encrypted point-to-point connection. (See [Figure 3.12.](#))

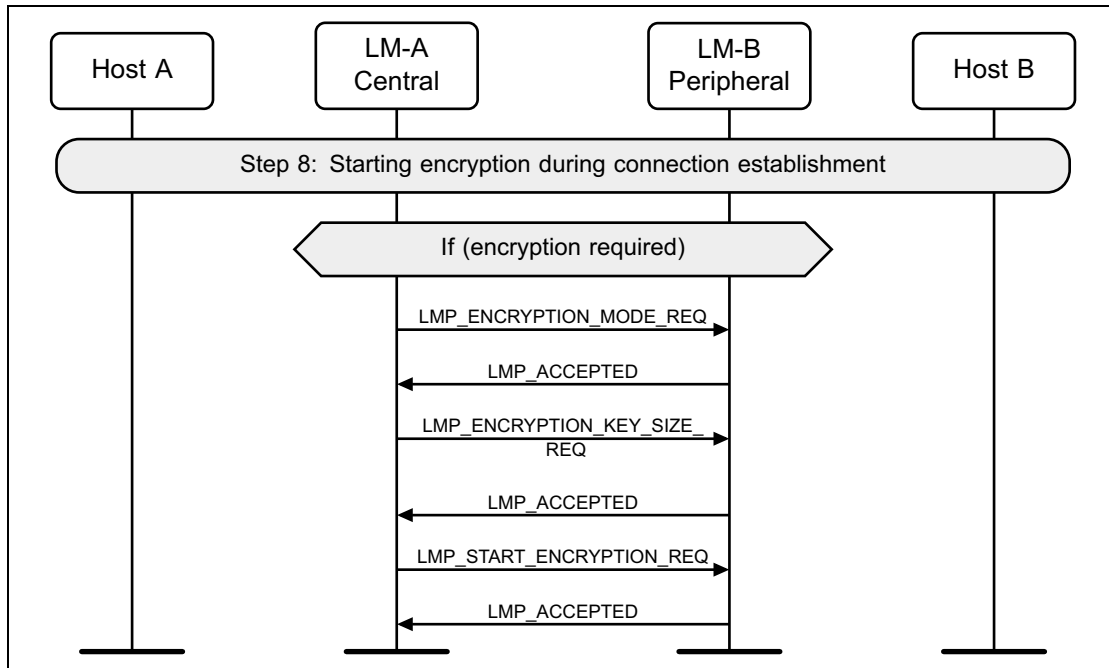


Figure 3.12: Starting encryption during connection setup

Step 9: The LMs indicate that the connection is setup by sending LMP_SETUP_COMPLETE PDU. This will cause the Host to be notified of the new Connection_Handle, and this connection may be used to send higher layer data such as L2CAP information. (See [Figure 3.13.](#))

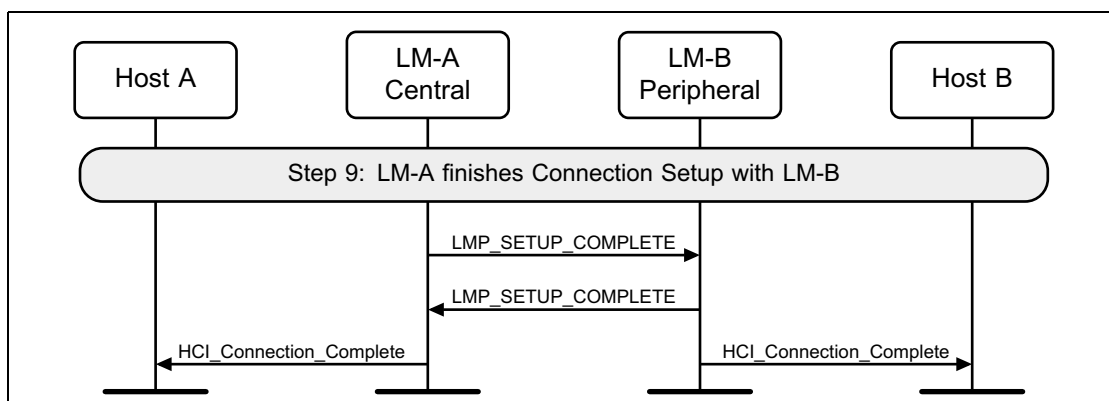


Figure 3.13: LM-A and LM-B finishes connection setup



Step 10: Once the connection is no longer needed, either device may terminate the connection using the HCI_Disconnect command and LMP_DETACH message PDU. The disconnection procedure is one-sided and does not need an explicit acknowledgment from the remote LM. The use of ARQ Acknowledgment from the Baseband indicates that the remote LM has received the LMP_DETACH PDU. (See [Figure 3.14.](#))

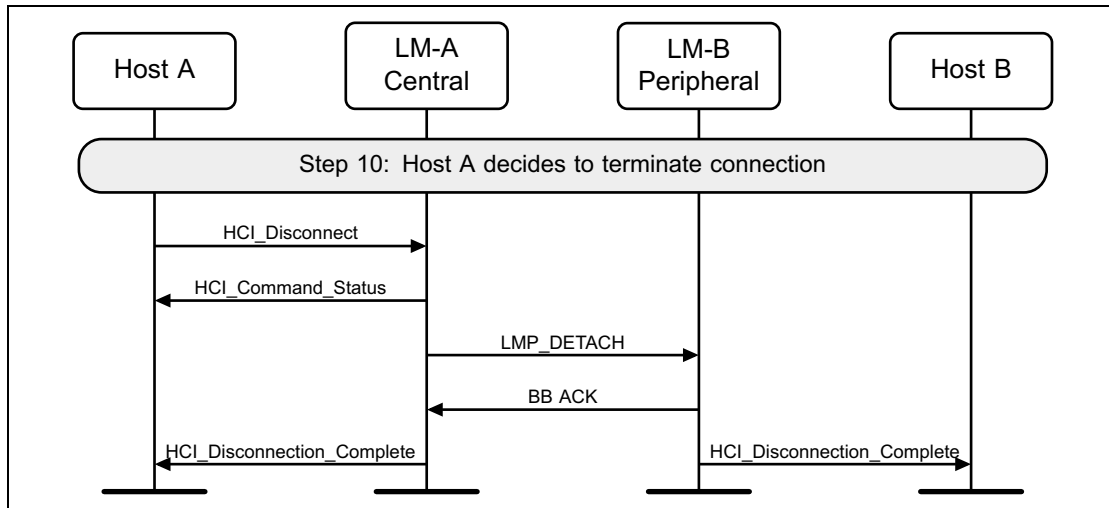


Figure 3.14: Host A decides to disconnect



4 OPTIONAL ACTIVITIES AFTER ACL CONNECTION ESTABLISHMENT

4.1 AUTHENTICATION REQUESTED

Step 1: Authentication can be explicitly executed at any time after a connection has been established. If no Link Key is available then the Link Key is required from the Host. (See [Figure 4.1.](#))

Note: If the Controller or LM and the Host do not have the Link Key, the devices will need to pair using a procedure such as that in [Section 3.1 Step 7a](#) or that in [Section 4.2.](#)

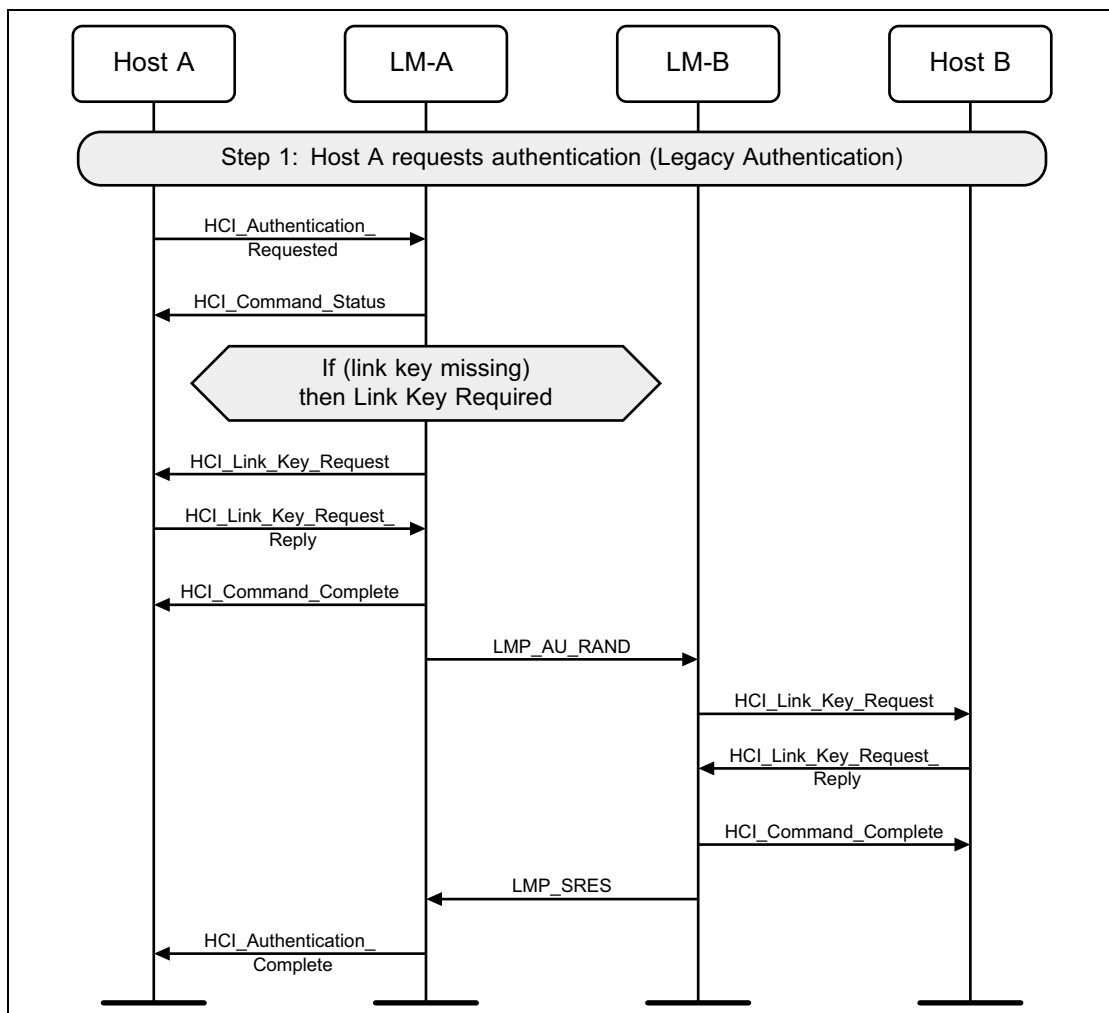


Figure 4.1: Authentication requested (legacy authentication)



When both devices support Secure Connections, Secure Authentication is used.

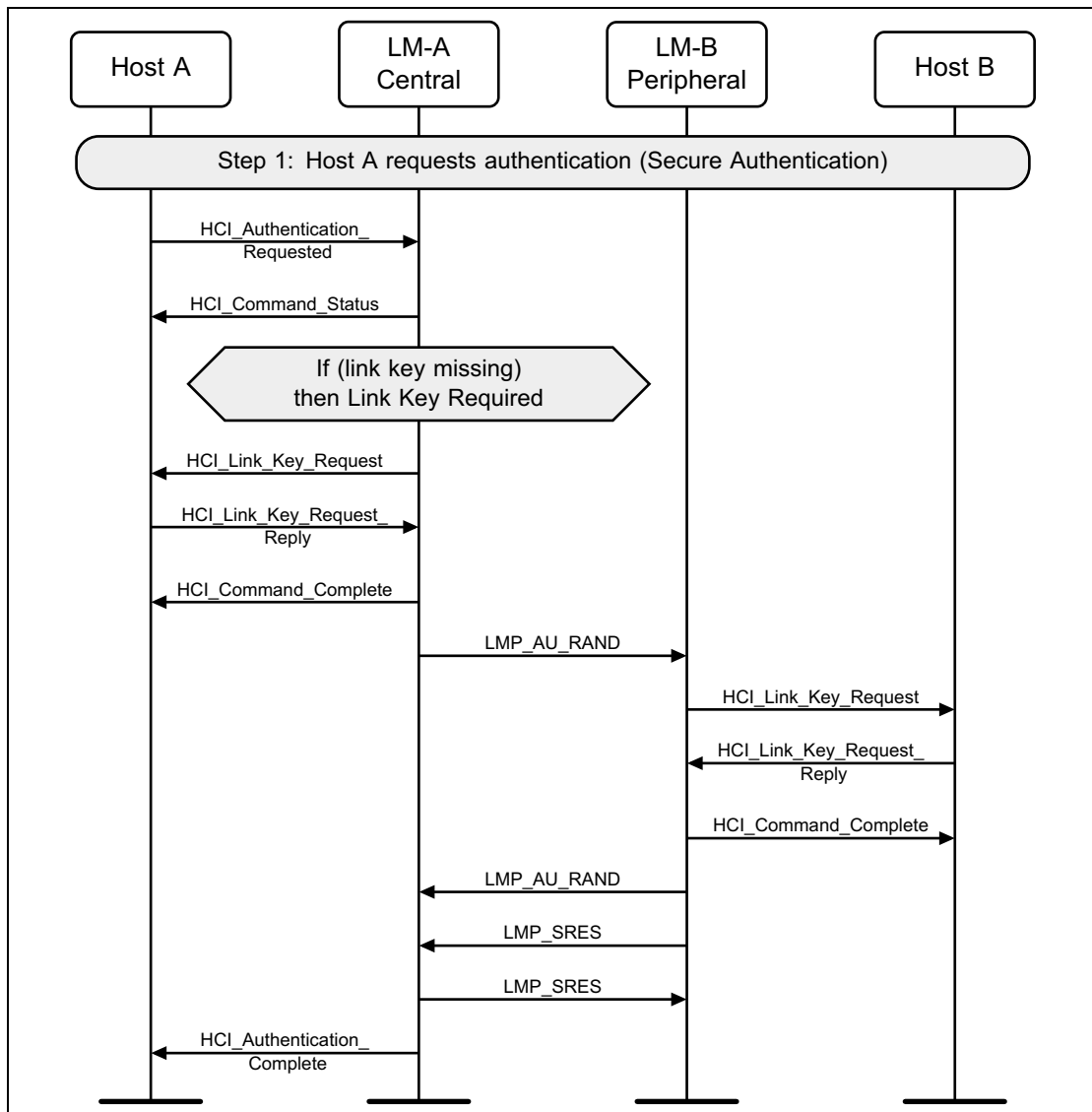


Figure 4.2: Authentication requested (secure authentication)



4.2 SECURE SIMPLE PAIRING MESSAGE SEQUENCE CHARTS

A flow diagram of Secure Simple Pairing between two devices is shown in [Figure 4.3](#). The process is illustrated in 11 distinct steps. A number of these steps have a number of different options.

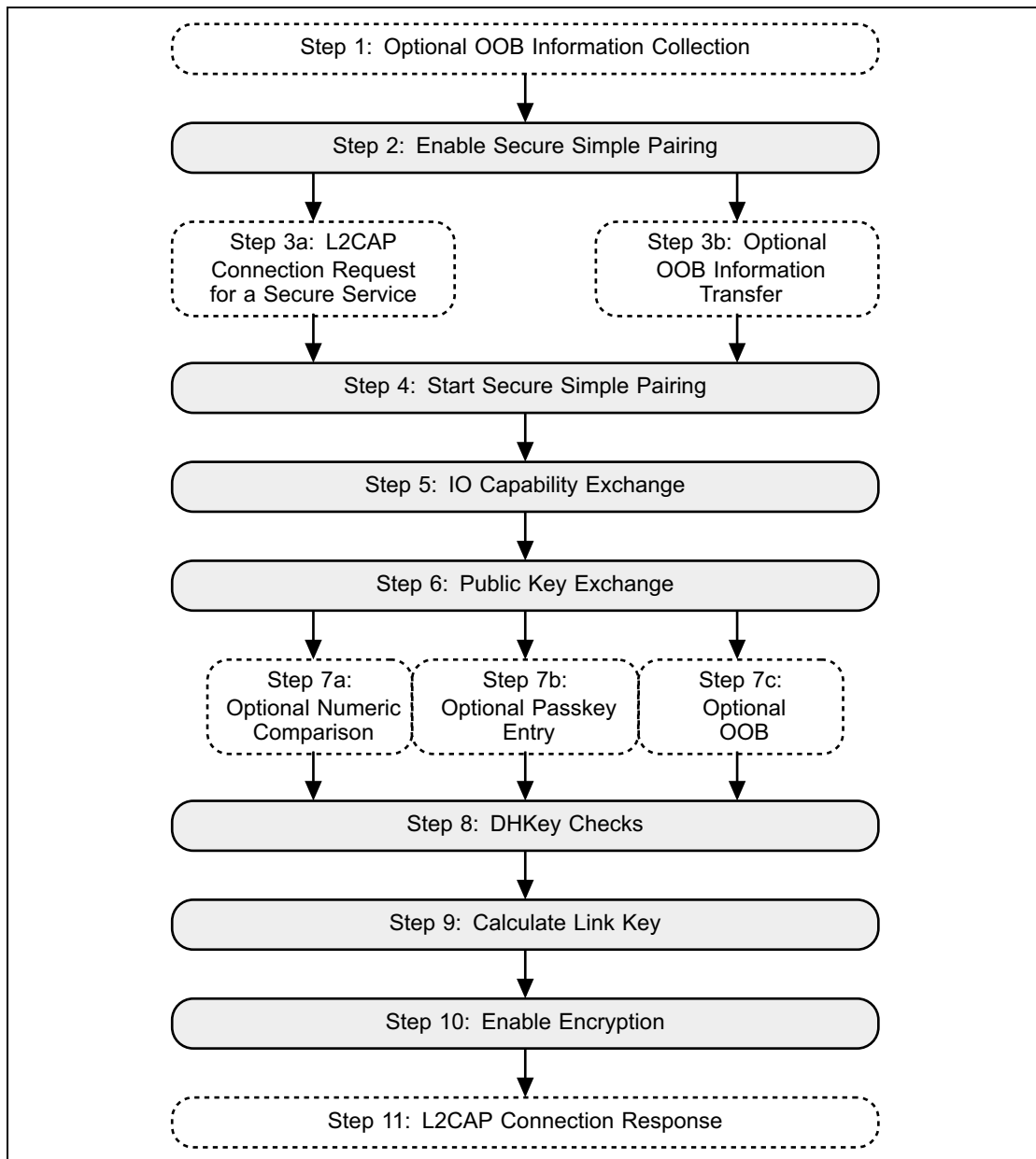


Figure 4.3: Secure Simple Pairing – flow diagram



4.2.1 Optional OOB information collection

If a device supports OOB information exchange, then the Host should request the C and R values from the Controller that need to be sent by OOB. It is then assumed that the Host transfers this information to the OOB system. This could occur a long time before, for example at the factory for a passive tag.

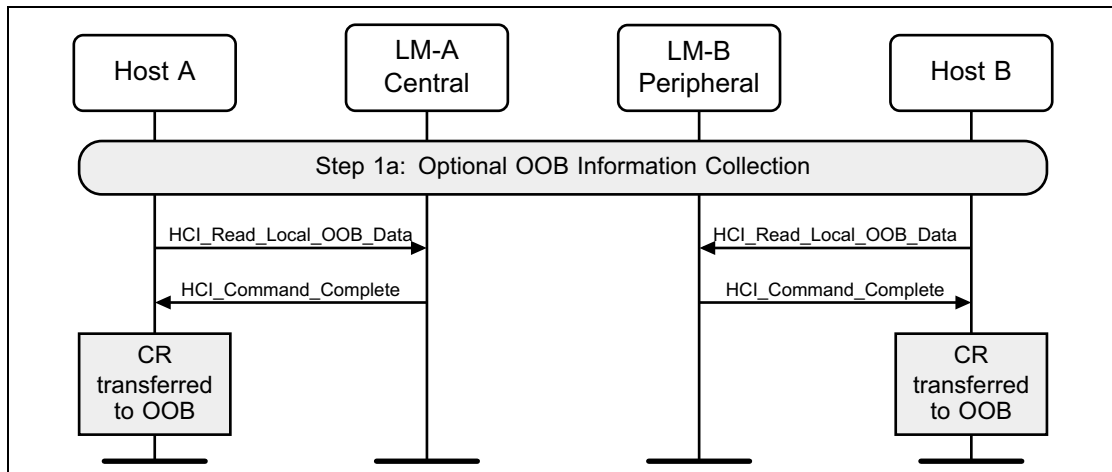


Figure 4.4: Optional OOB information collection (P-192 only)

When the Controller and Host support Secure Connections, the HCI_Read_Local_OOB_Extended_Data command is used instead of HCI_Read_Local_OOB_Data.

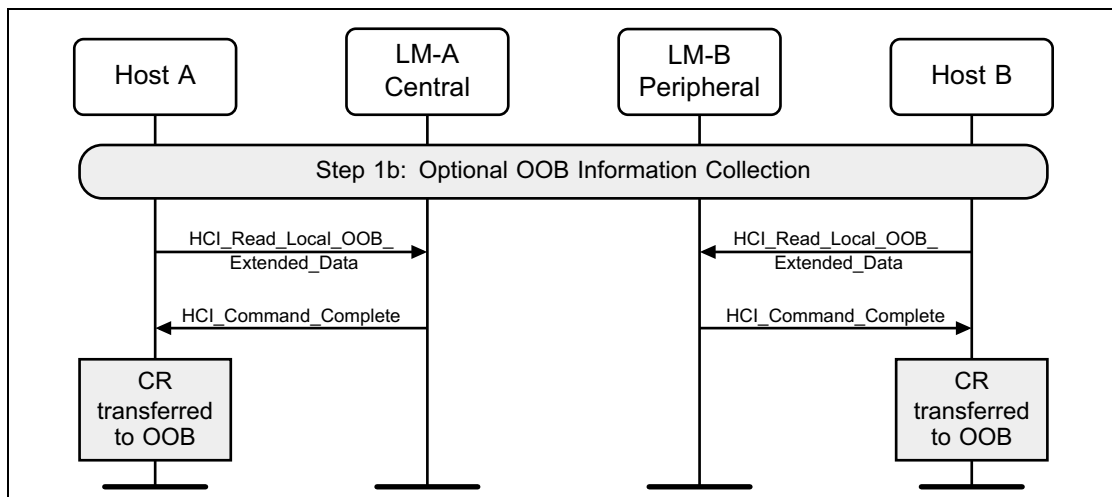


Figure 4.5: Optional OOB information collection (P-192 and P-256)



4.2.2 Enable Secure Simple Pairing and secure connections

To enable Secure Simple Pairing, a device must use the HCI_Write_Simple_Pairing_Mode command. This should be done before any other connections that may use Secure Simple Pairing are created.

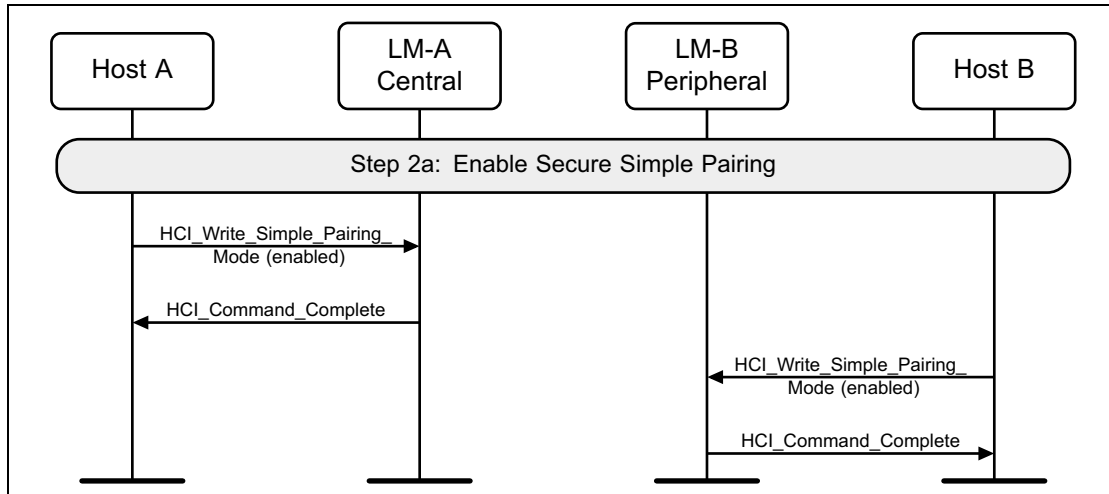


Figure 4.6: Enable Secure Simple Pairing

To configure the Controller to use Secure Connections HCI commands and events, a device must use the HCI_Write_Secure_Connections_Host_Support command. This should be done before any connections are created.

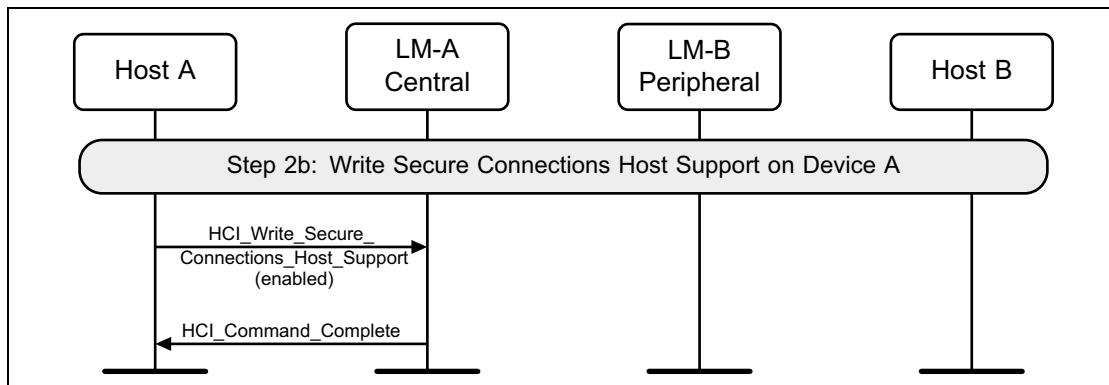


Figure 4.7: Enable Secure Connections Host Support



To configure the Controller to enforce a maximum interval between packets containing a MIC (when AES-CCM encryption is used), a device must use the HCI_Write_Authenticated_Payload_Timeout command.

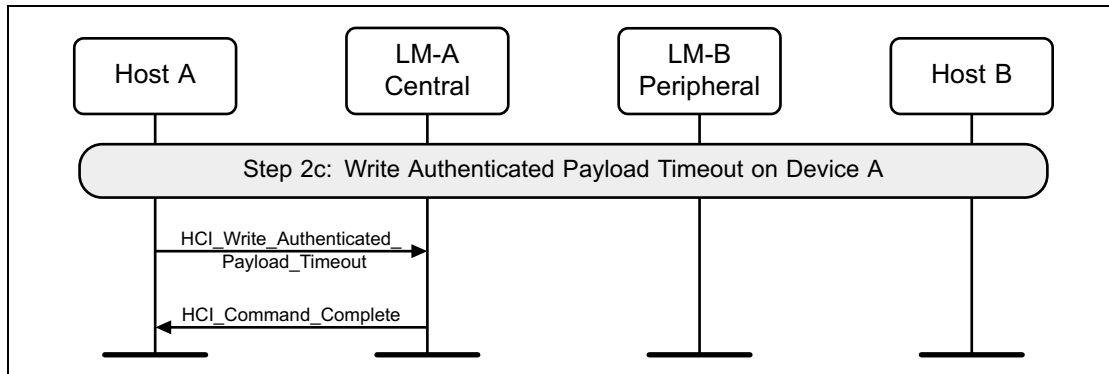


Figure 4.8: Set Authenticated_Payload_Timeout

4.2.3 Connection establishment

Secure Simple Pairing, once it is enabled, is triggered by one of two possible actions. It could be triggered by an L2CAP connection request to a service that requires security, or it could be triggered by an OOB transfer of information.

4.2.4 L2CAP connection request for a secure service

Once a connection has been established between two devices, if a device requests an L2CAP connection to a service that requires authentication and encryption, then the device will start Secure Simple Pairing.

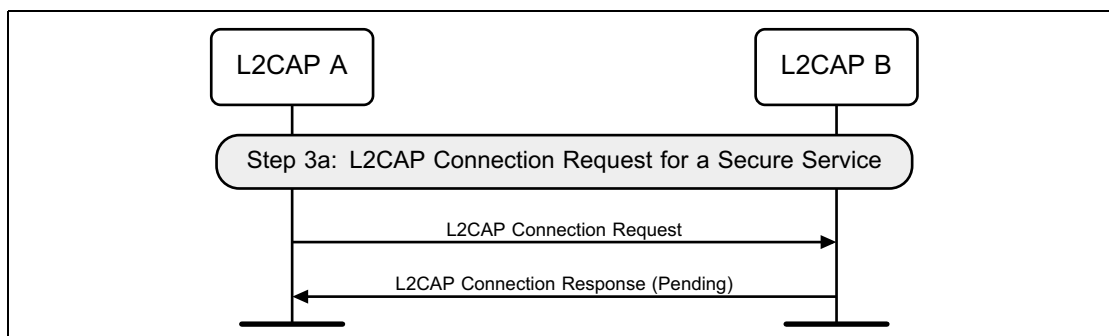


Figure 4.9: L2CAP connection request for a secure service



4.2.5 Optional OOB information transfer

Even if a Bluetooth connection has not been established between two devices, an OOB transfer can occur that transfers the Bluetooth Device Address of the device, and other OOB information for authentication. If an OOB transfer occurs, then the Host can start Secure Simple Pairing.

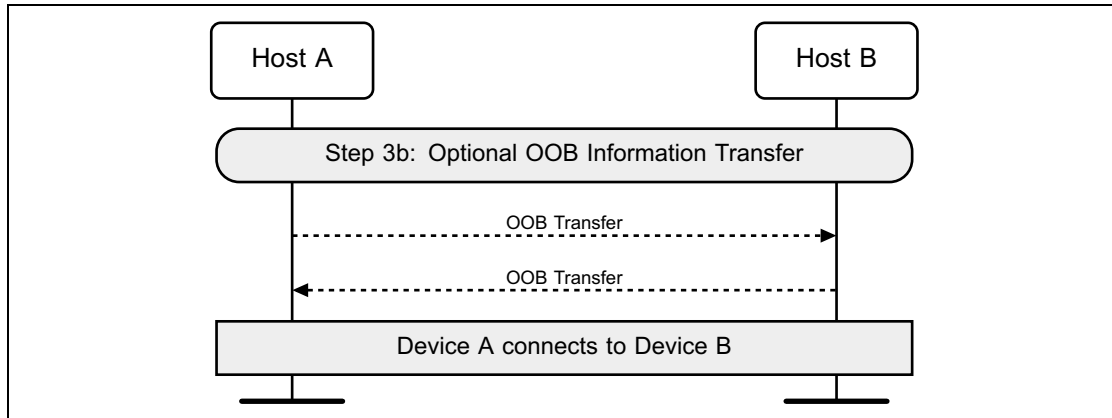


Figure 4.10: Optional OOB information transfer

4.2.6 Start Secure Simple Pairing

Once the Host has determined that Secure Simple Pairing should start, it issues an HCI_Authentication_Requested command to the Controller. This will cause the Controller to generate a request for a link key. If the Host has a link key for this connection, then pairing is not required, and the link key can be used immediately once it has been authenticated. Secure Simple Pairing will only be used if an HCI_Link_Key_Request_Negative_Reply command is sent from the Host to the Controller on the initiating side.

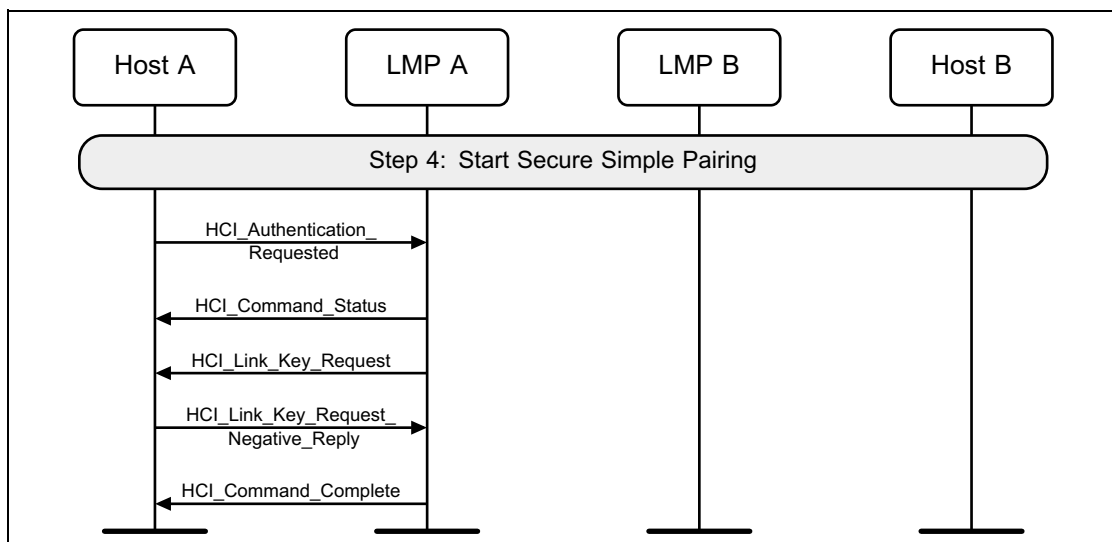


Figure 4.11: Start Secure Simple Pairing



4.2.7 IO capability exchange

To be able to determine the correct authentication algorithm to use, the input / output capabilities of the two devices are exchanged.

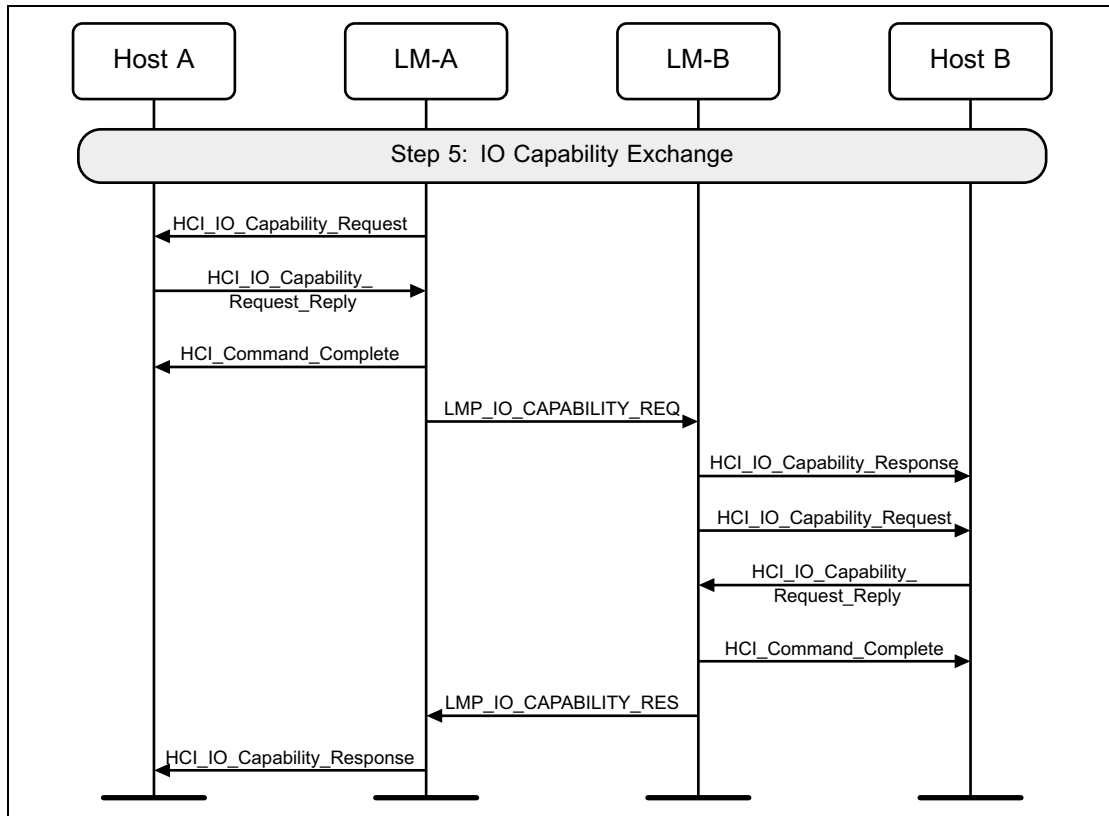


Figure 4.12: IO capability exchange



4.2.8 Public key exchange

Next the public keys are exchanged between the two devices. Once a device has received the public key of the peer device, it can start to calculate the Diffie Hellman Key (DHKey). This may take a long time, and should be started early, so that user interaction can hide the calculation time. The DHKey is not required until step 8.

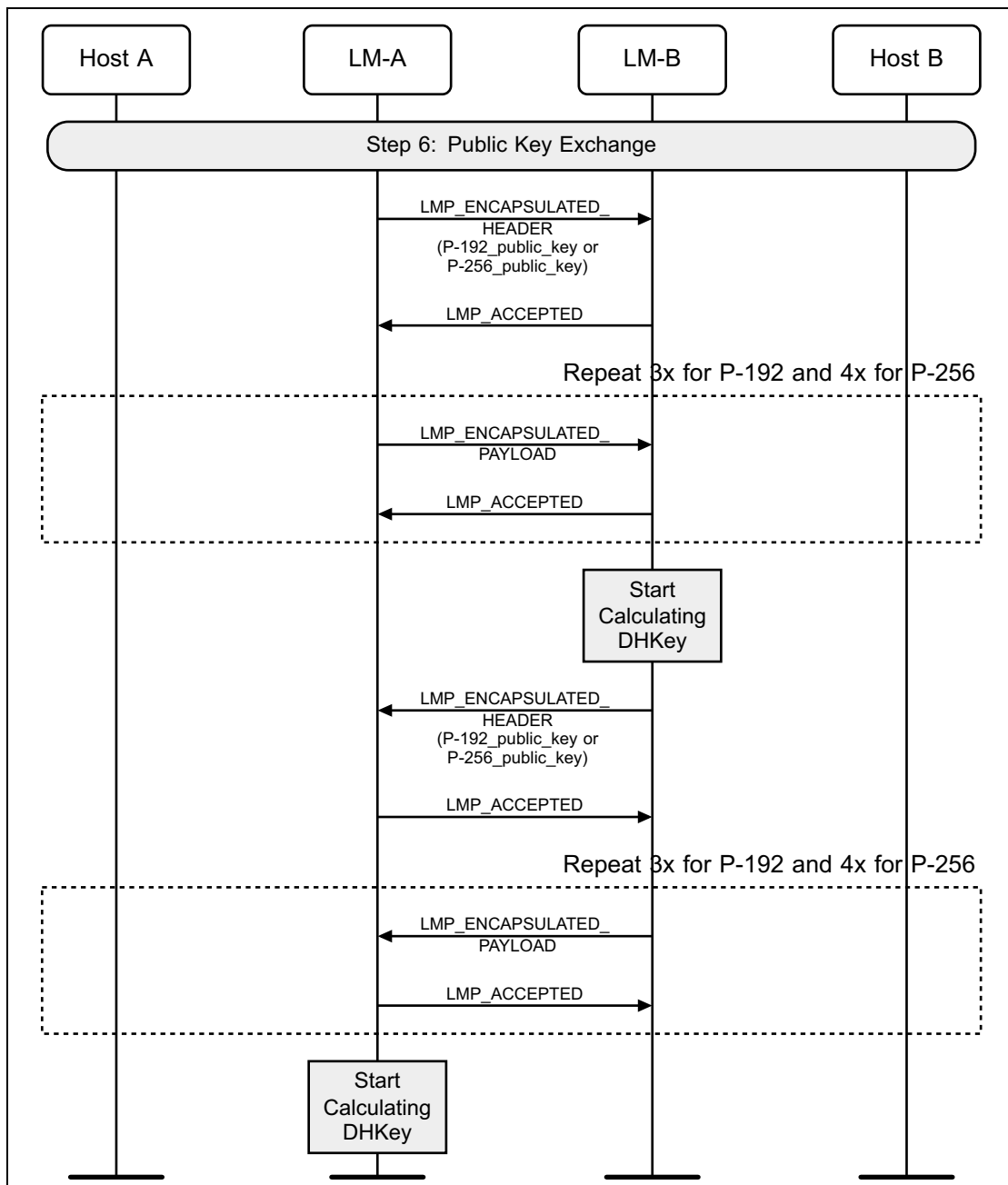


Figure 4.13: Public key exchange



4.2.9 Authentication

A device can be authenticated by using one of three algorithms. The choice of algorithm is determined by the combination of the IO capabilities of the two devices.

4.2.10 Numeric Comparison

The numeric comparison step will be done when both devices have output capabilities, or if one of the devices has no input or output capabilities. If both devices have output capabilities, this step requires the displaying of a user confirmation value. This value should be displayed until the end of step 8. If one or both devices do not have output capabilities, the same protocol is used but the Hosts will skip the step asking for the user confirmation. The sequence for Just Works is identical to that of Numeric Comparison with the exception that the Host will not show the numbers to the user.

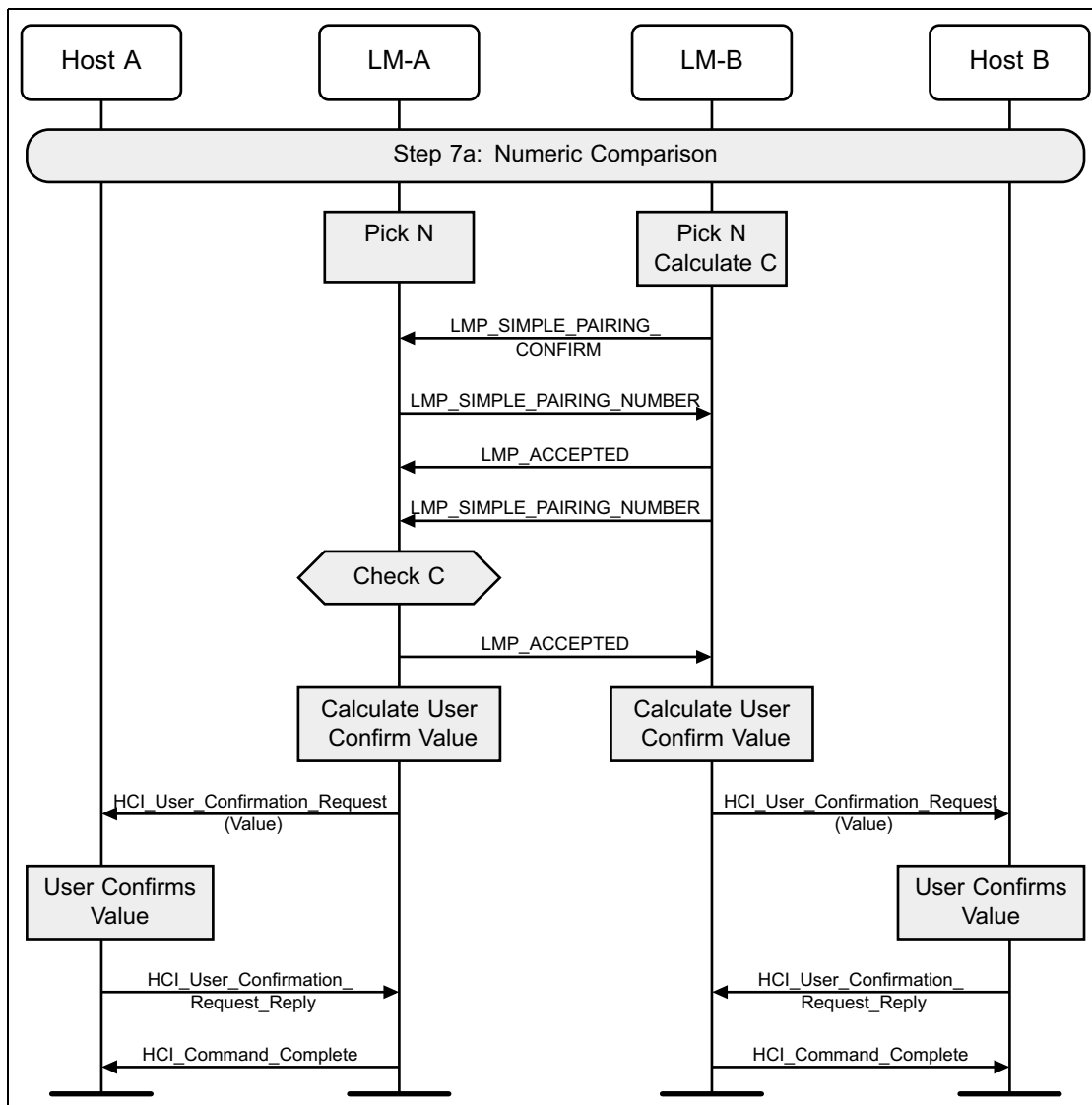


Figure 4.14: Numeric Comparison authentication



4.2.11 Numeric Comparison failure on initiating side

If the numeric comparison fails on the initiating side due to the user indicating that the confirmation values do not match, Secure Simple Pairing is terminated.

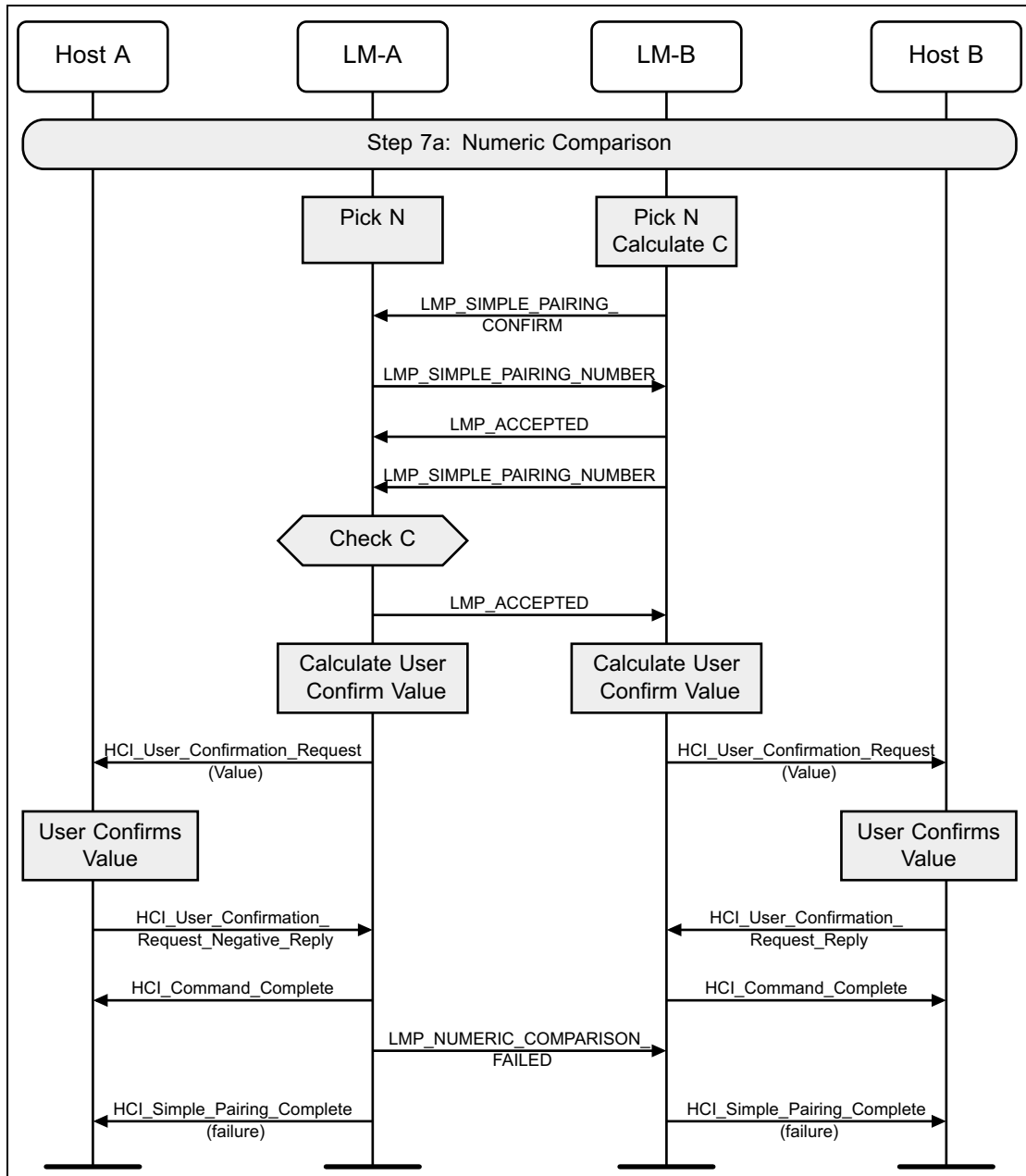


Figure 4.15: Numeric Comparison authentication (failure on initiating side)



4.2.12 Numeric Comparison failure on responding side

If the numeric comparison fails on the responding side due to the user indicating that the confirmation values do not match, Secure Simple Pairing is terminated.

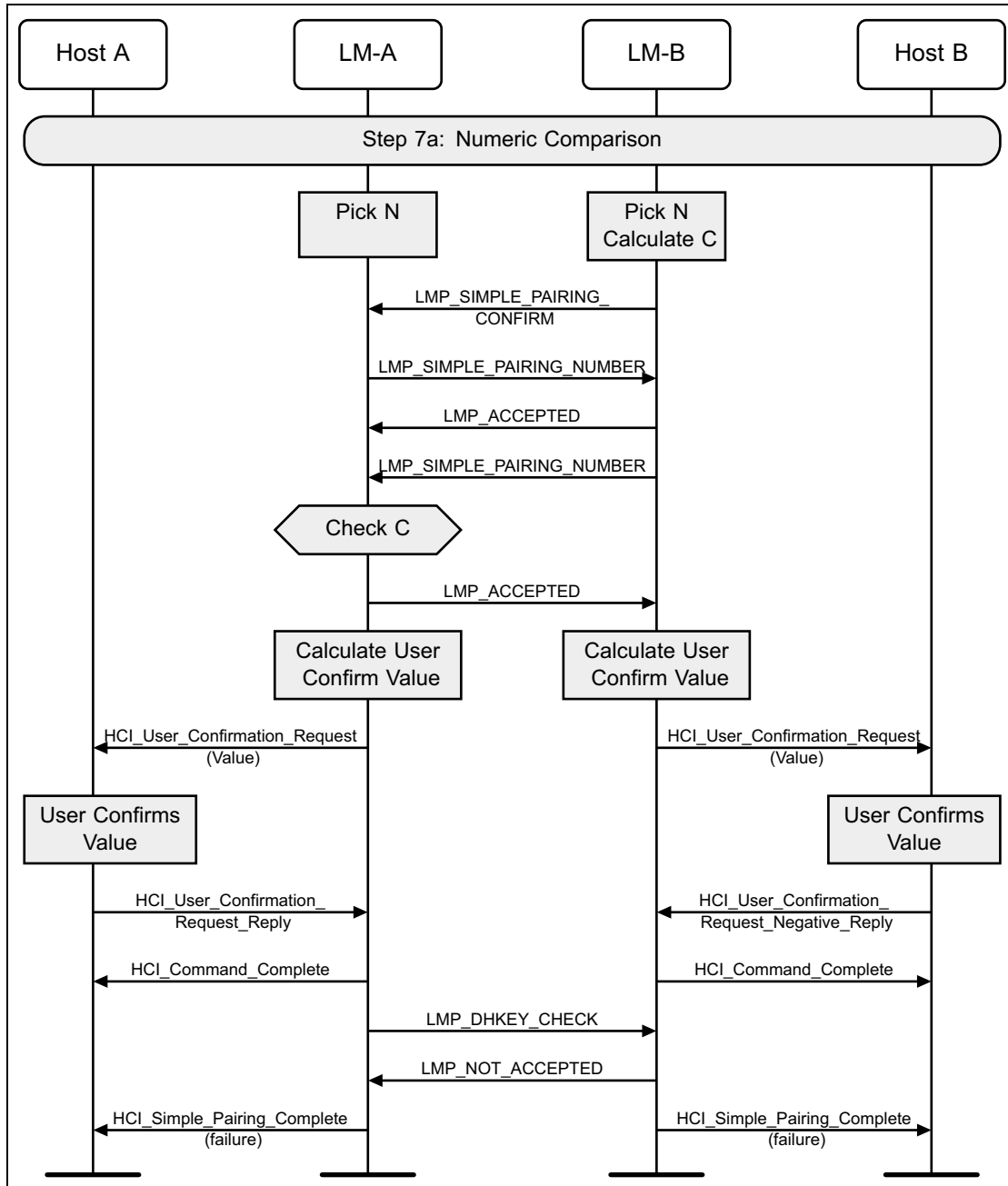


Figure 4.16: Numeric Comparison failure on responding side



4.2.13 Passkey Entry

The Passkey Entry step is used in two cases: when one device has numeric input only and the other device has either a display or numeric input capability or when both devices only have numeric input capability. In this step, one device display a number to be entered by the other device or the user enters a number on both devices. This number should be displayed until the end of step 8. Key press notification messages are shown during the user input phase.

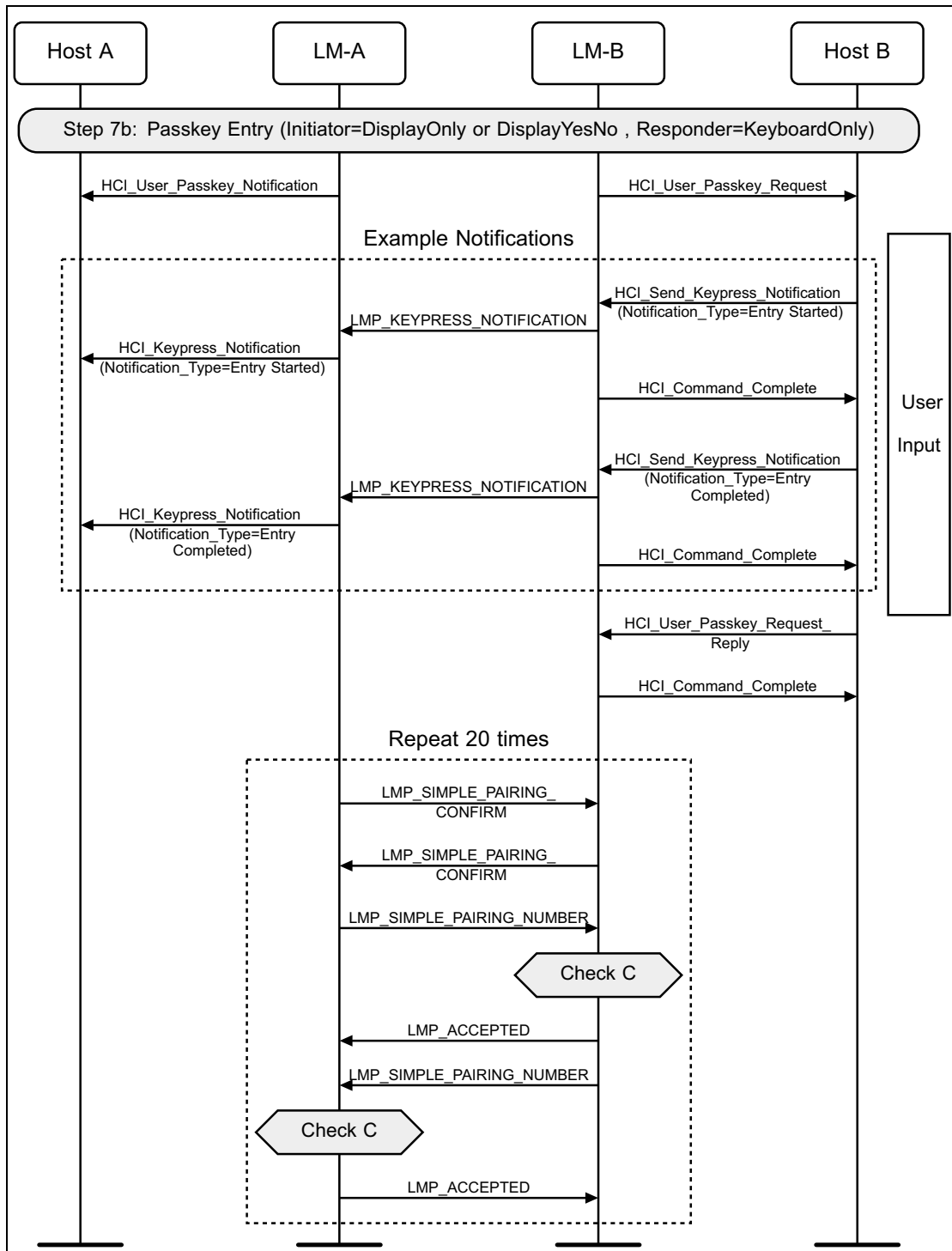


Figure 4.17: Passkey Entry authentication



4.2.14 Passkey Entry failure on responding side

If the Passkey Entry fails on the responding side, Secure Simple Pairing is terminated.

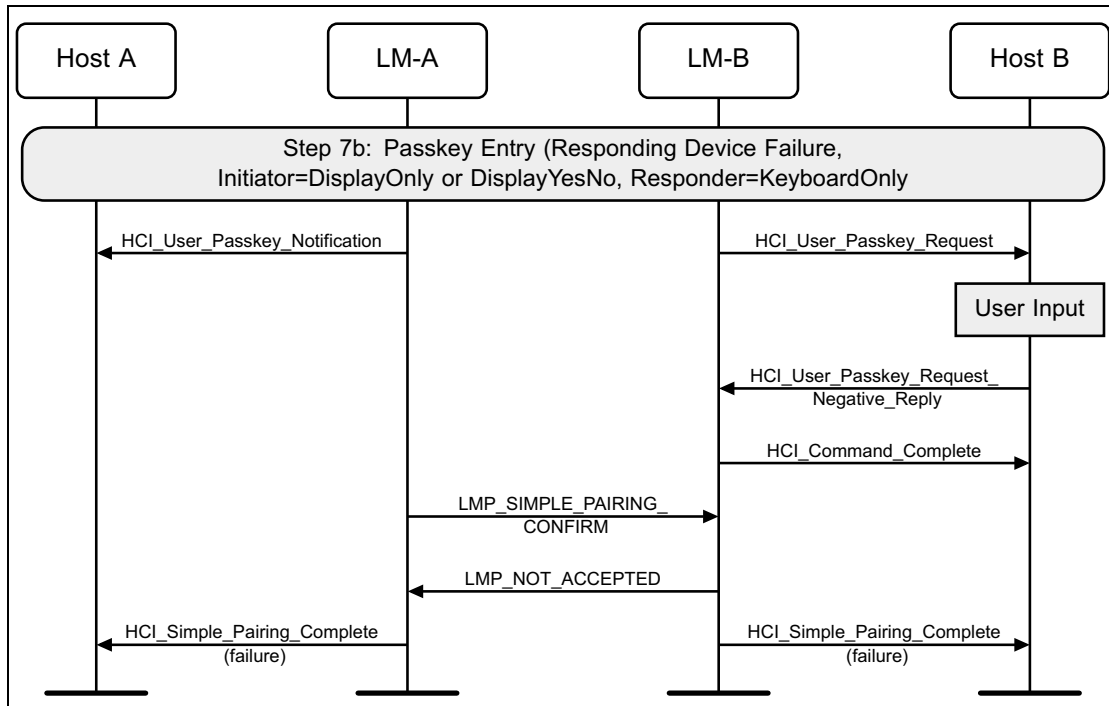


Figure 4.18: Passkey Entry failure on responding side



4.2.15 Passkey Entry failure on initiator side

If the Passkey Entry fails on the initiating side, Secure Simple Pairing is terminated. This is only possible if the initiating LM side sends an HCI_User_Passkey_Request event.

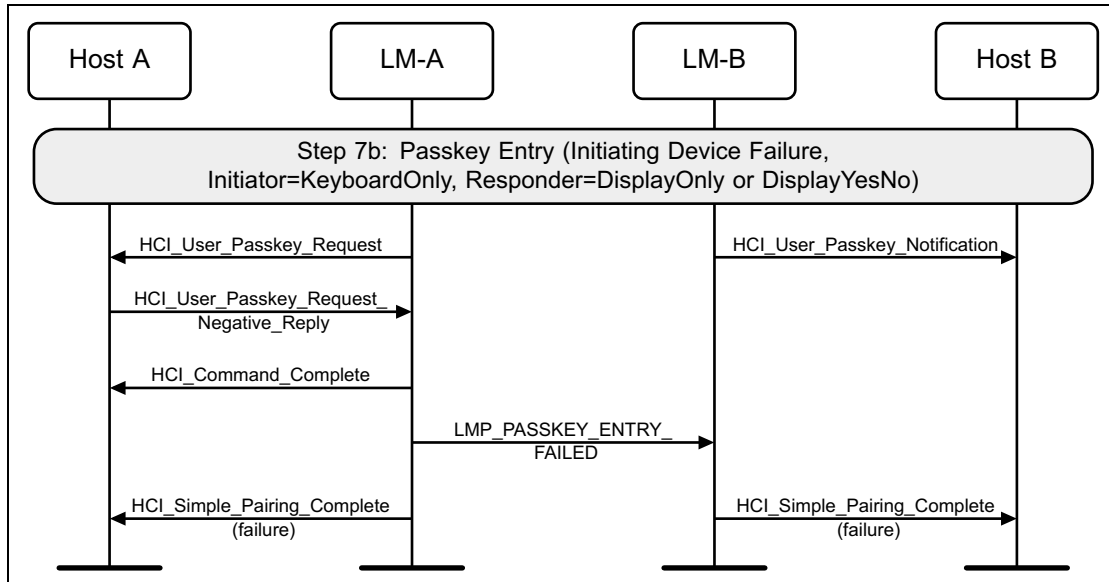


Figure 4.19: Passkey Entry failure on initiating side



4.2.16 Out of Band

The OOB authentication will only be done when both devices have some OOB information to use. This step requires no user interaction.

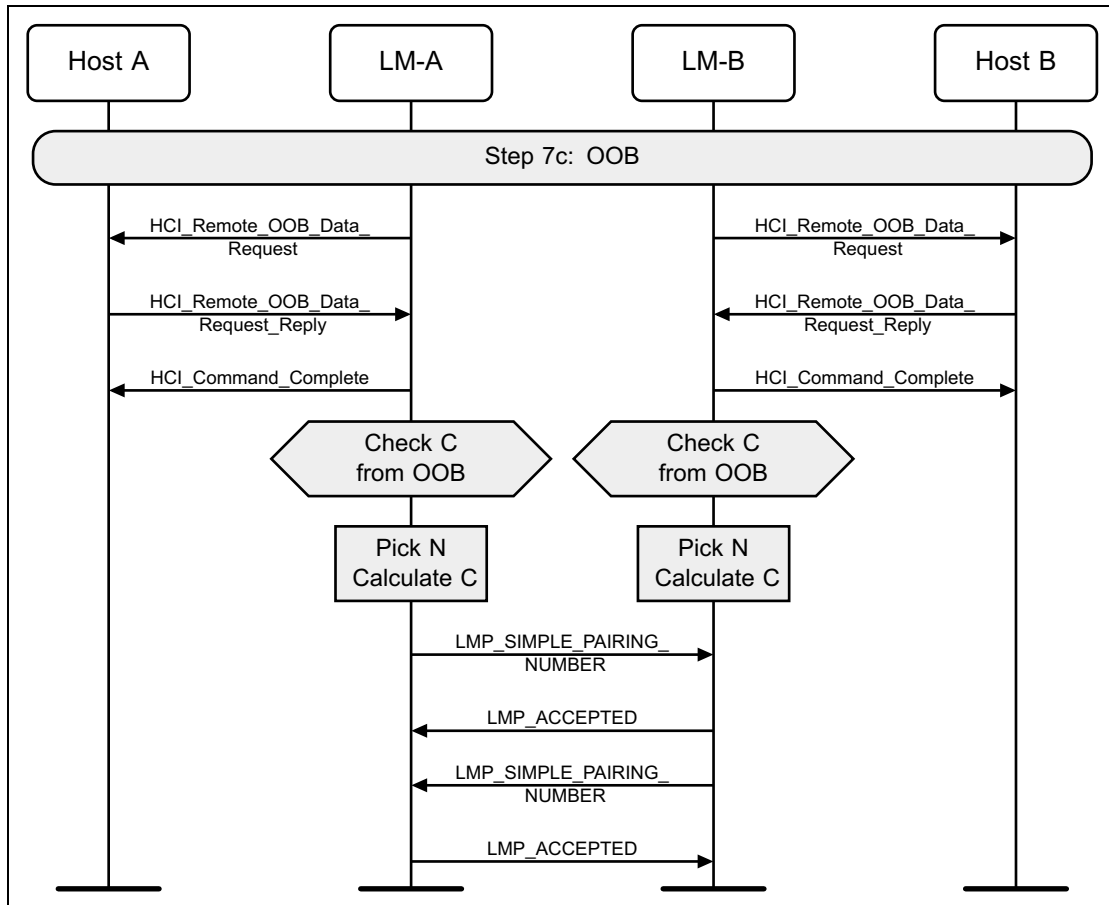


Figure 4.20: OOB authentication (P-192)

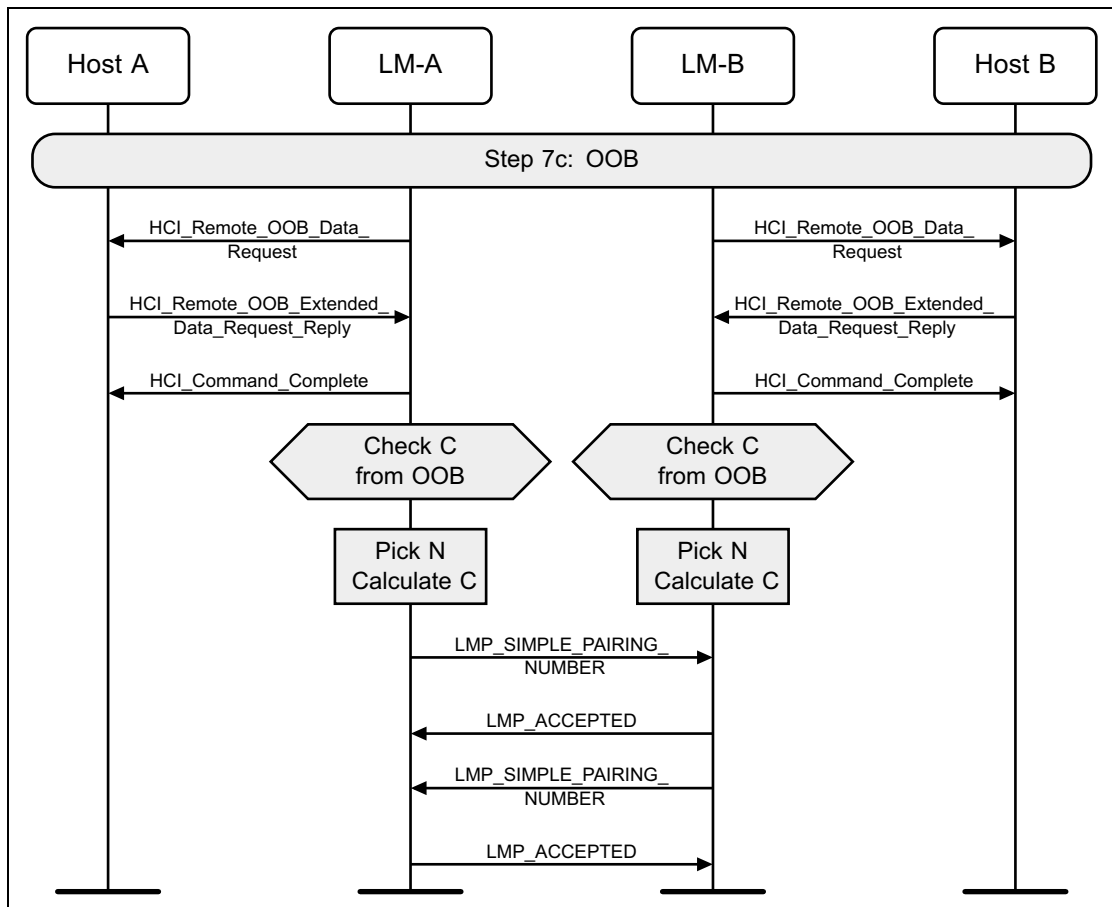


Figure 4.21: OOB authentication (P-256)



4.2.17 OOB failure on initiator side

If the initiating side does not have OOB information, Secure Simple Pairing is terminated.

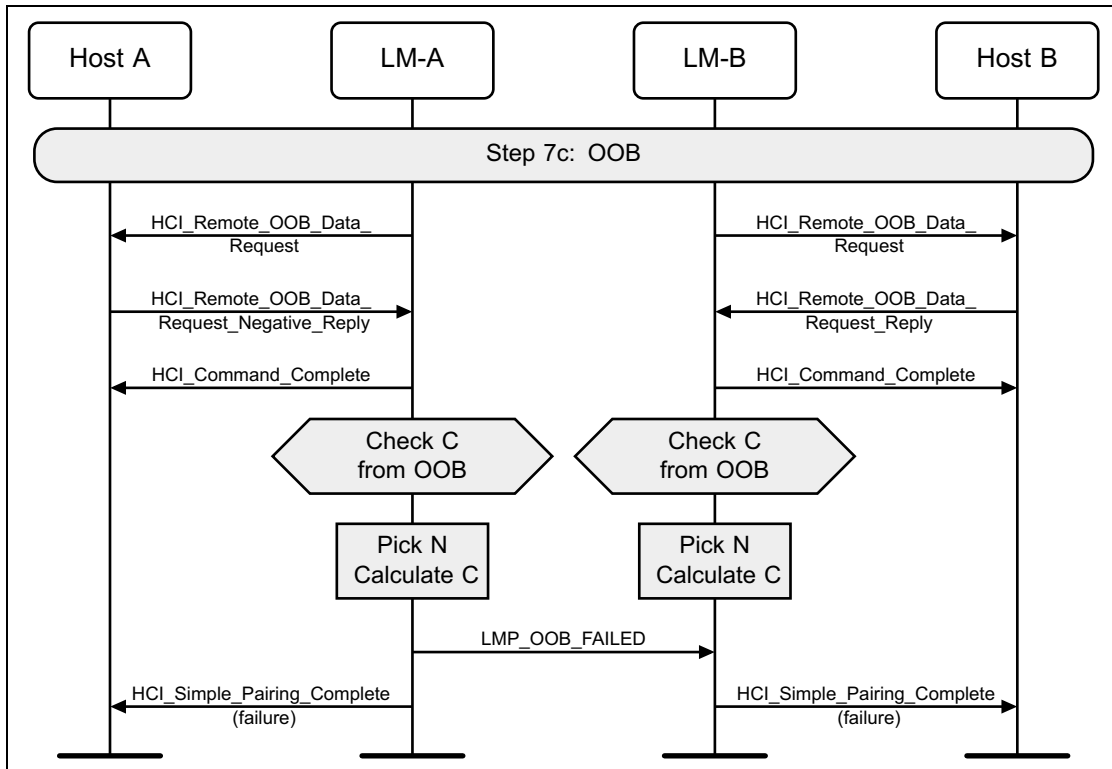


Figure 4.22: OOB authentication failure on initiating side



4.2.18 DHKey checks

Once the devices have been authenticated, and the DHKey calculation has completed, the DHKey value generated is checked. If this succeeds, then both devices would have finished displaying information to the user about the process, and therefore a message is sent from the Controller to the Host to notify it to stop displaying this information.

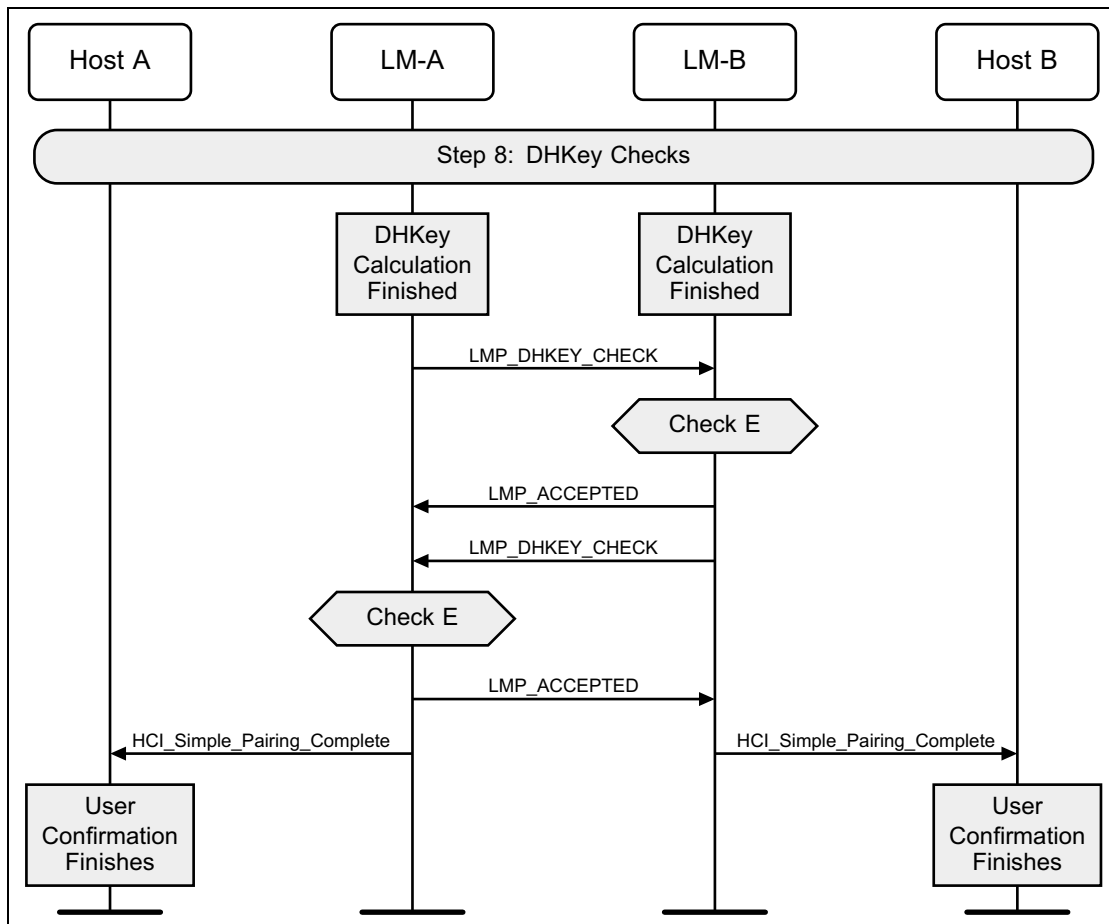


Figure 4.23: DHKey checks



4.2.19 Calculate link key

Once Secure Simple Pairing is complete, the link key can be calculated from the DHKey, and this should be used as input to a standard mutual authentication. Once this is complete, an HCI_Link_Key_Notification event will be generated.

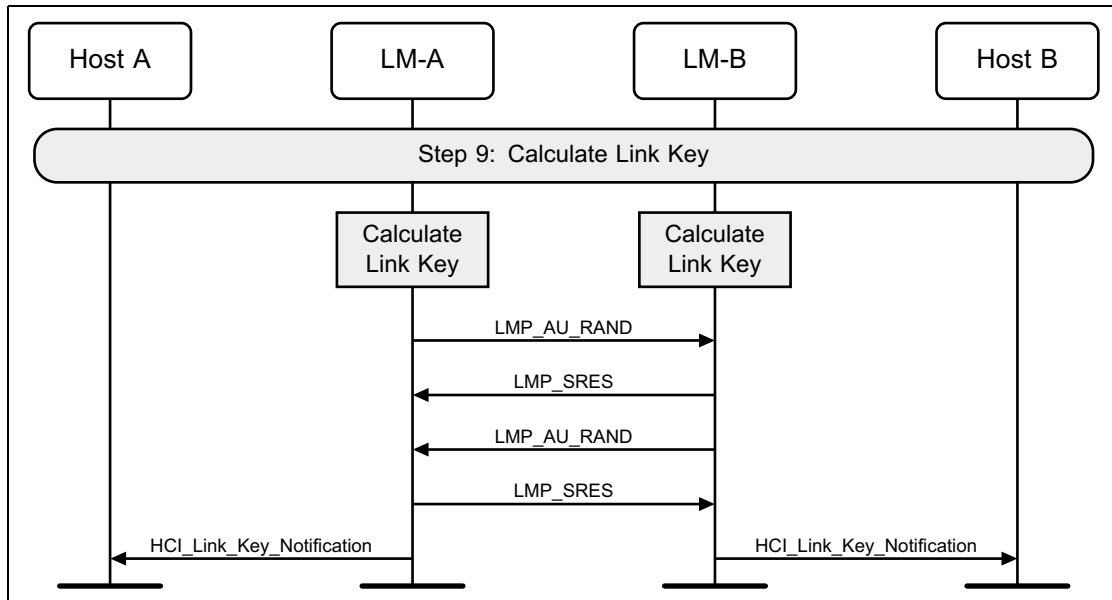


Figure 4.24: Calculate link key



4.2.20 Enable encryption

Once the link key has been notified to the Host, the HCI_Authentication_Requested command will complete with an HCI_Authentication_Complete event. The Host can then turn on encryption using the standard methods.

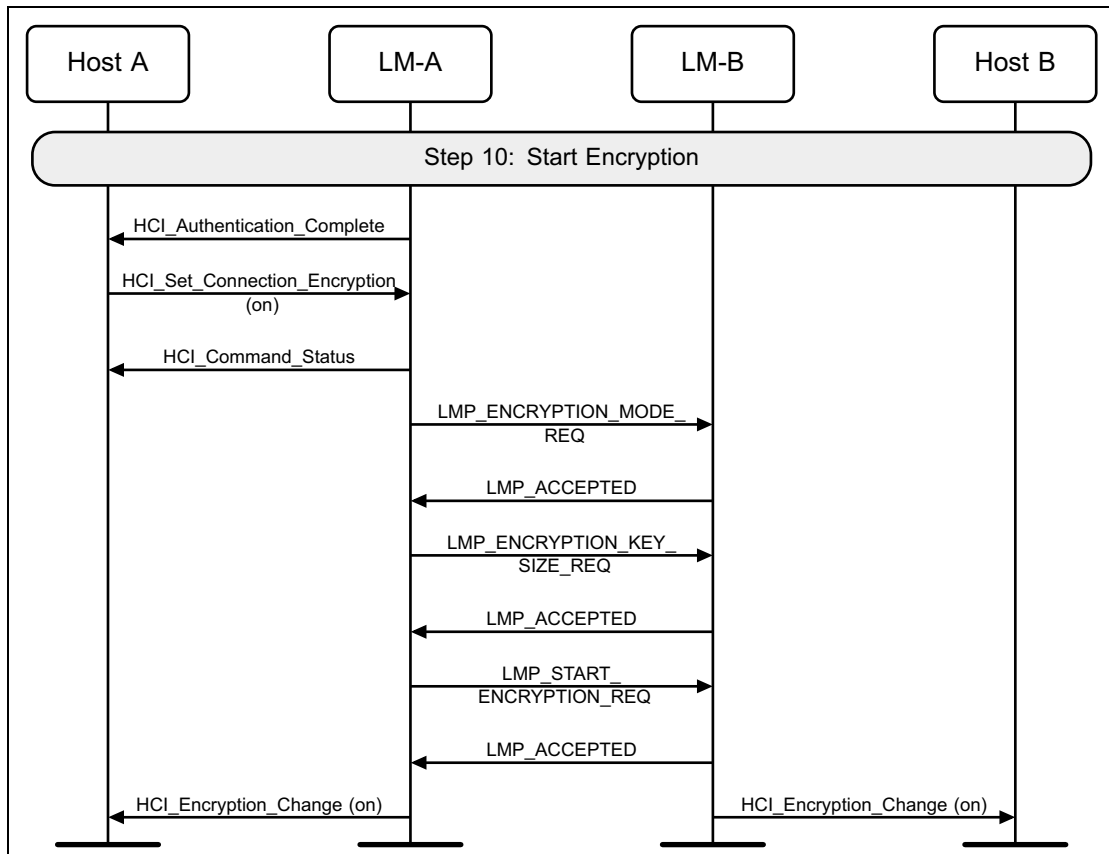


Figure 4.25: Start encryption

4.2.21 L2CAP connection response

If this Secure Simple Pairing was triggered by an L2CAP Connection Request, then only after all of the above steps have completed can the L2CAP Connection Response message be sent.

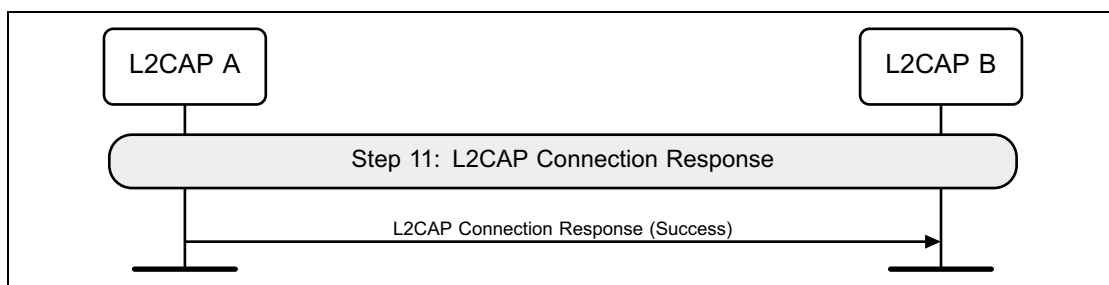


Figure 4.26: L2CAP Connection Response



4.2.22 LMP ping

When the Authenticated Payload Timeout has nearly expired, the Link Manager will force the remote device to send a packet containing a MIC by sending the LMP_PING_REQ PDU.

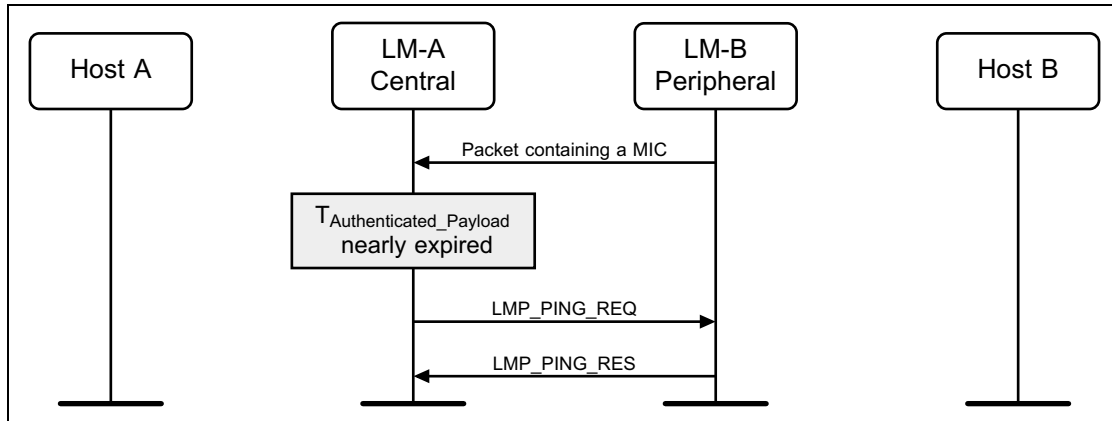


Figure 4.27: Successful ping



When a packet with a MIC has not been received within the Authenticated Payload Timeout, the Host is notified that the timer has expired.

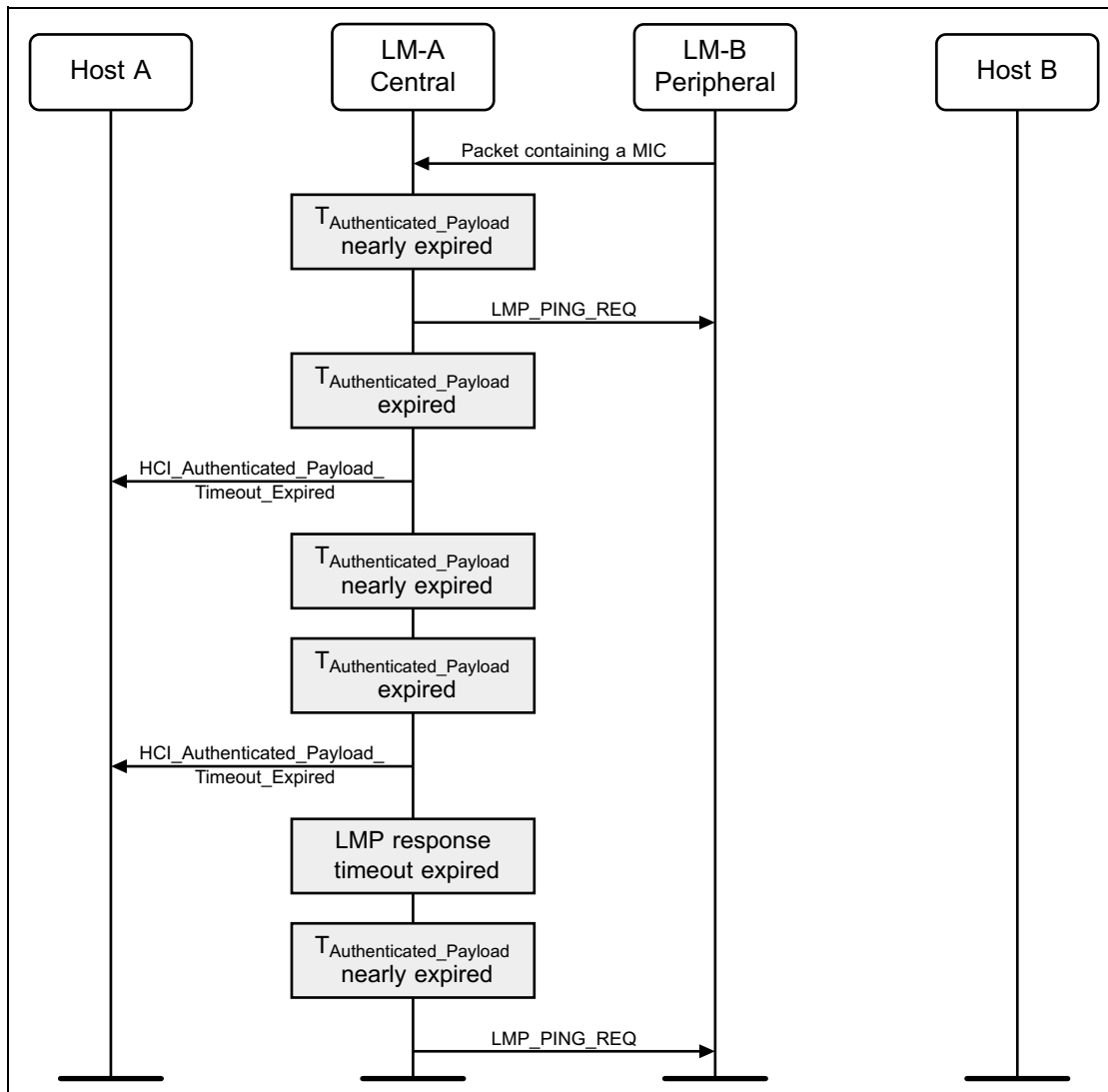


Figure 4.28: Unsuccessful ping



4.3 LINK SUPERVISION TIMEOUT CHANGED EVENT

When enabled by the Host, the Peripheral generates an HCI_Link_Supervision_Timeout_Changed event after the LMP_SUPERVISION_TIMEOUT PDU is received.

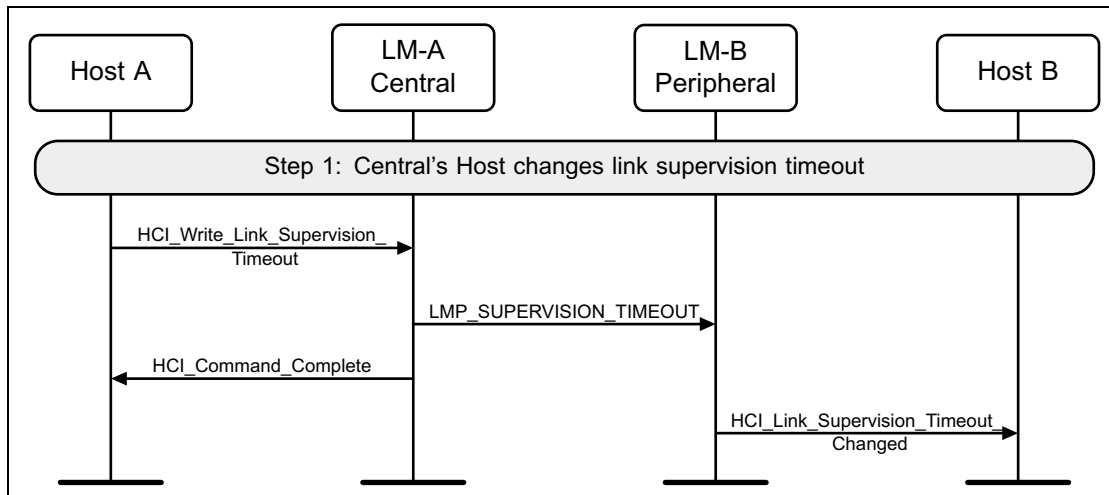


Figure 4.29: Link supervision timeout event

4.4 SET CONNECTION ENCRYPTION

Step 1: The Host may at any time turn on encryption using the HCI_Set_Connection_Encryption command. This command can be originated from either the Central or Peripheral sides. Only the Central side is shown in [Figure 4.30](#). If this command is sent from a Peripheral, the only difference is that the



LMP_ENCRYPTION_MODE_REQ PDU will be sent from the Peripheral. The LMP_ENCRYPTION_KEY_SIZE_REQ and LMP_START_ENCRYPTION_REQ PDUs will always be requested from the Central. (See [Figure 4.30.](#))

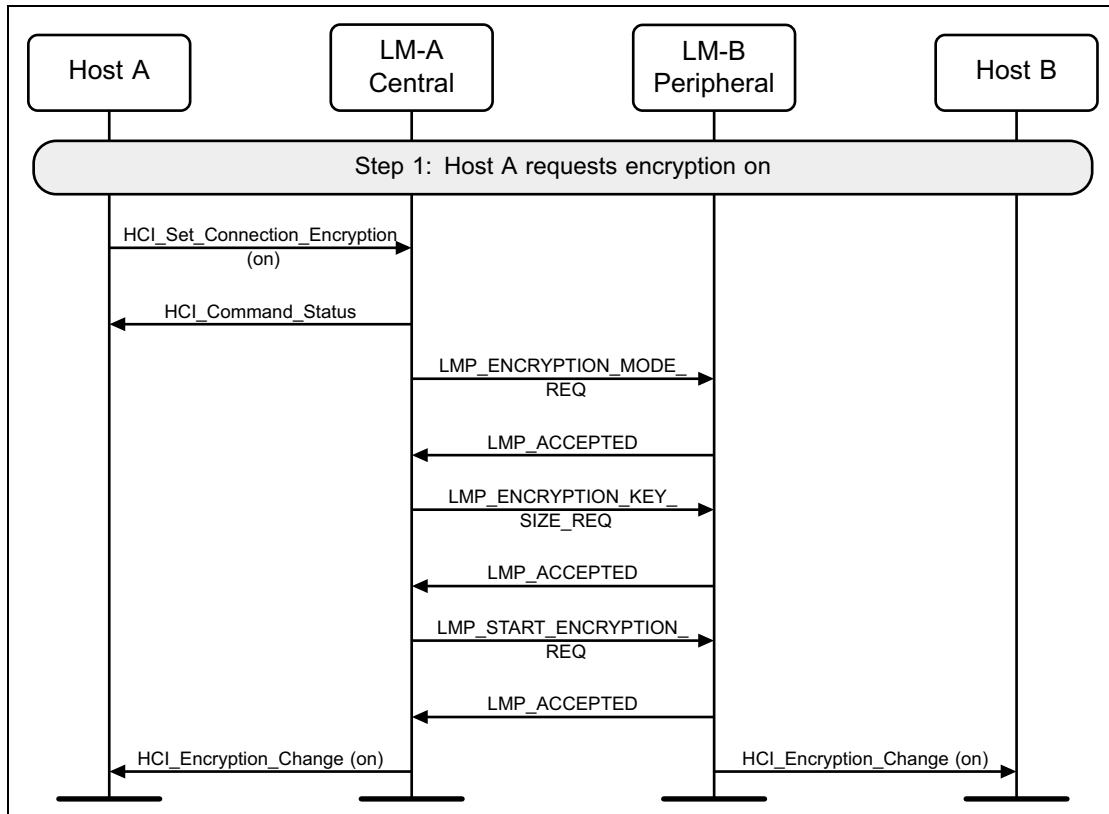


Figure 4.30: Encryption requested



Step 2: To terminate the use of encryption, the HCI_Set_Connection_ - Encryption command is used. (See [Figure 4.31.](#))

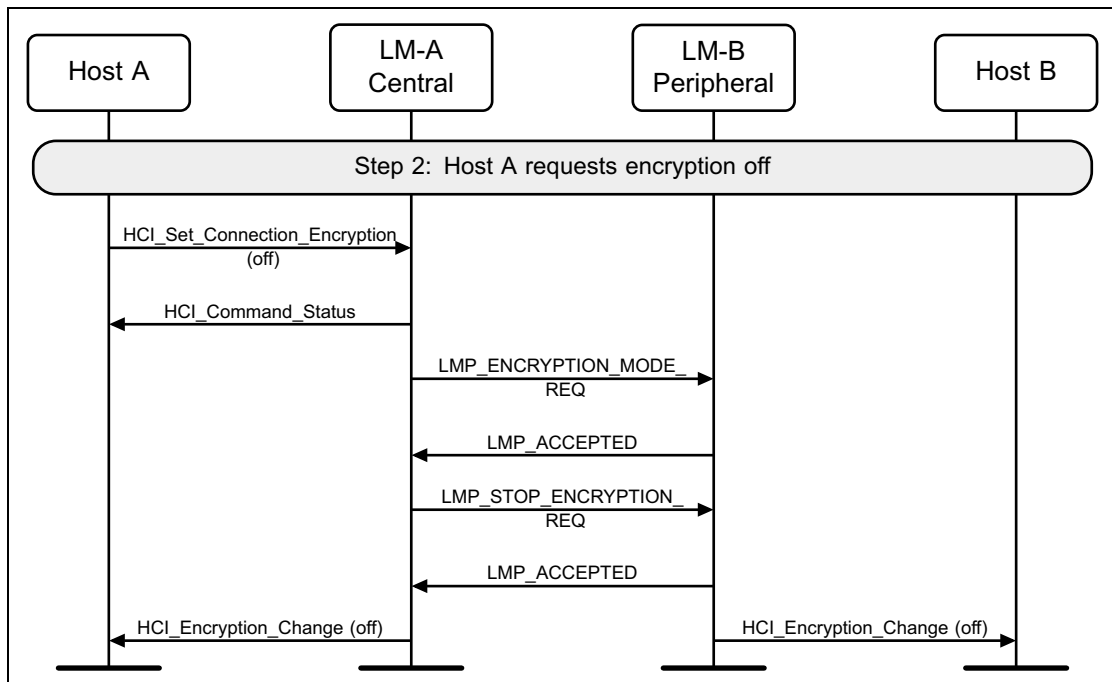


Figure 4.31: Encryption off requested



4.5 CHANGE CONNECTION LINK KEY

Step 1: The Central's Host (Host A) may change the connection link key using the HCI_Change_Connection_Link_Key command. A new link key will be generated and the Hosts will be notified of this new link key. (See [Figure 4.32.](#))

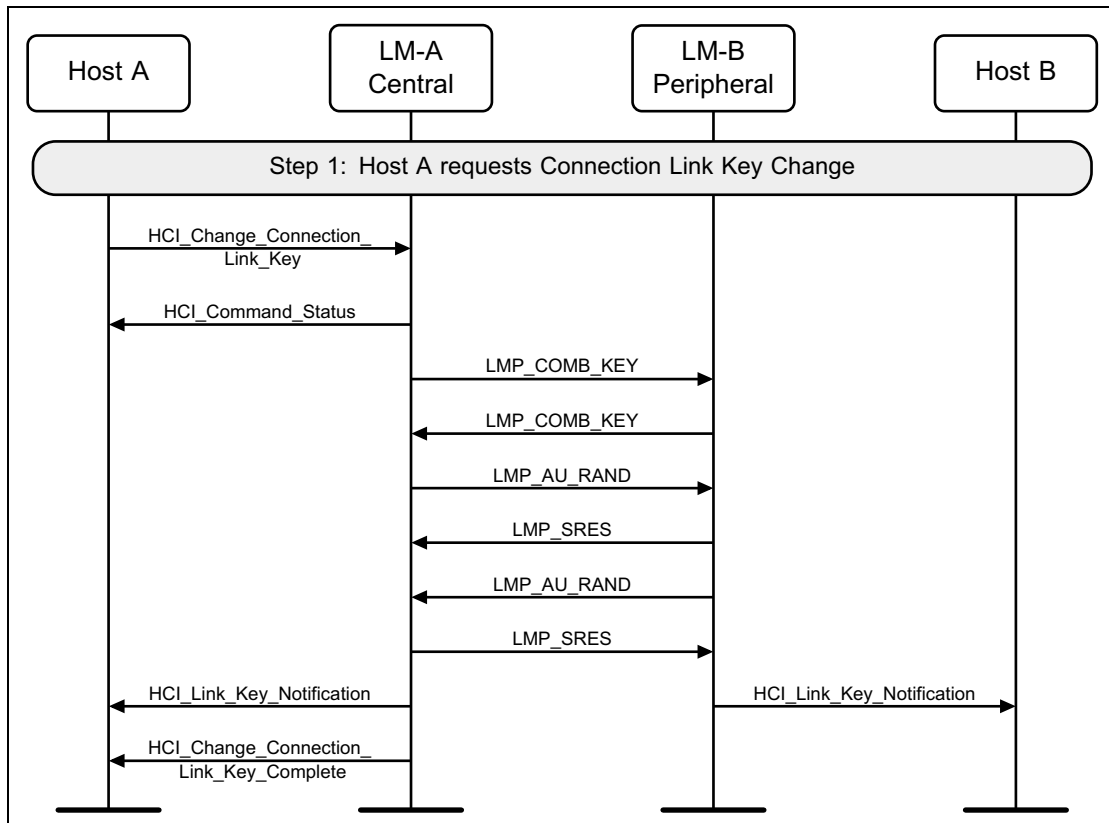


Figure 4.32: Change connection link key



4.6 CHANGE CONNECTION LINK KEY WITH ENCRYPTION PAUSE AND RESUME

Step 1: The Central's Host (Host A) may change the connection link key using the HCI_Change_Connection_Link_Key command. A new link key will be generated and the Hosts will be notified of this new link key. Encryption will then be paused and resumed, immediately using this new link key to generate a new encryption key. (See [Figure 4.33.](#))

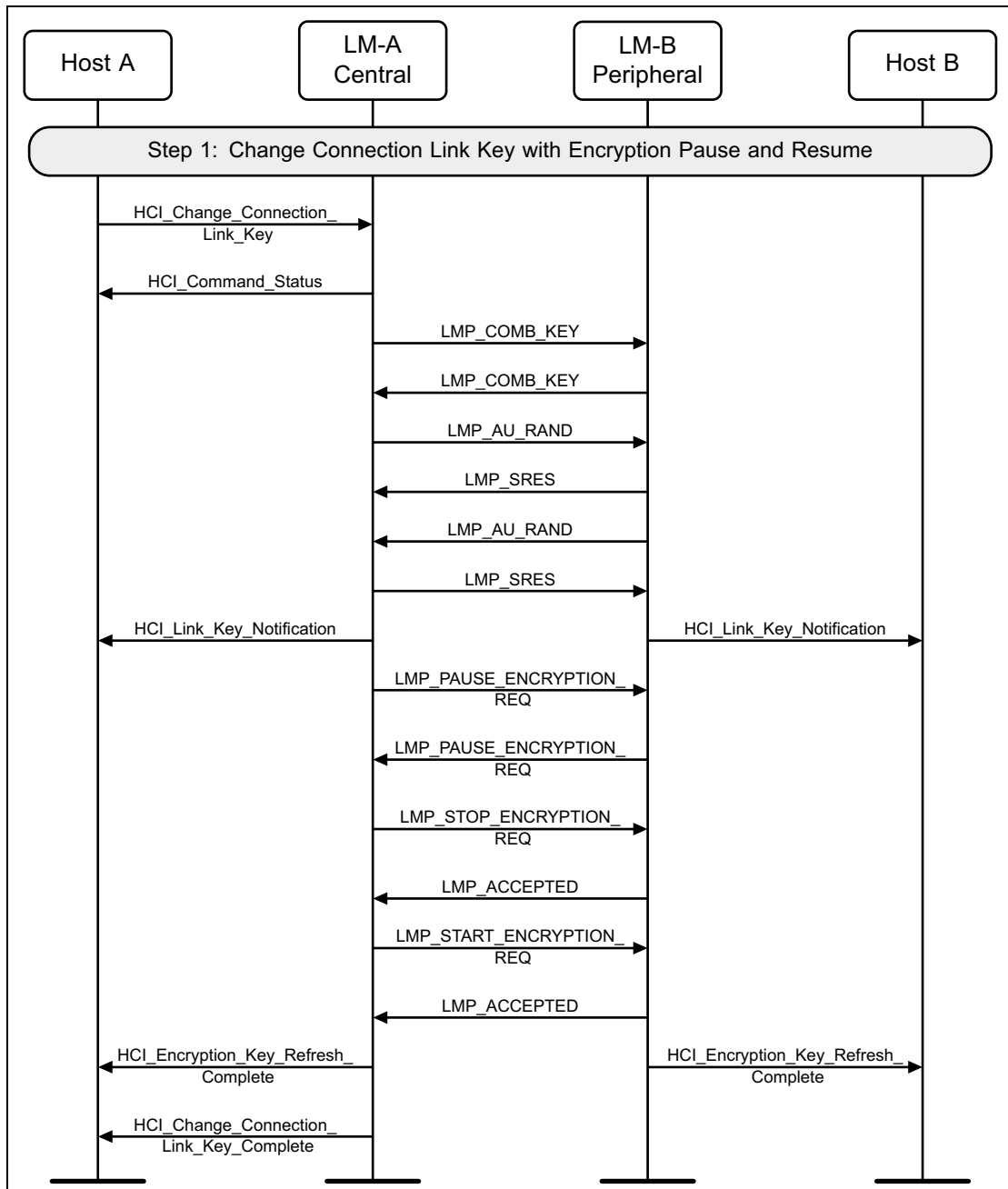


Figure 4.33: Change connection link key with encryption pause and resume



4.7 TEMPORARY LINK KEY

Step 1: The Host changes to a Temporary Link Key from a Semi-permanent Link Key using the HCI_Link_Key_Selection command when at least one device does not support Encryption Pause and Resume. (See [Figure 4.34.](#))

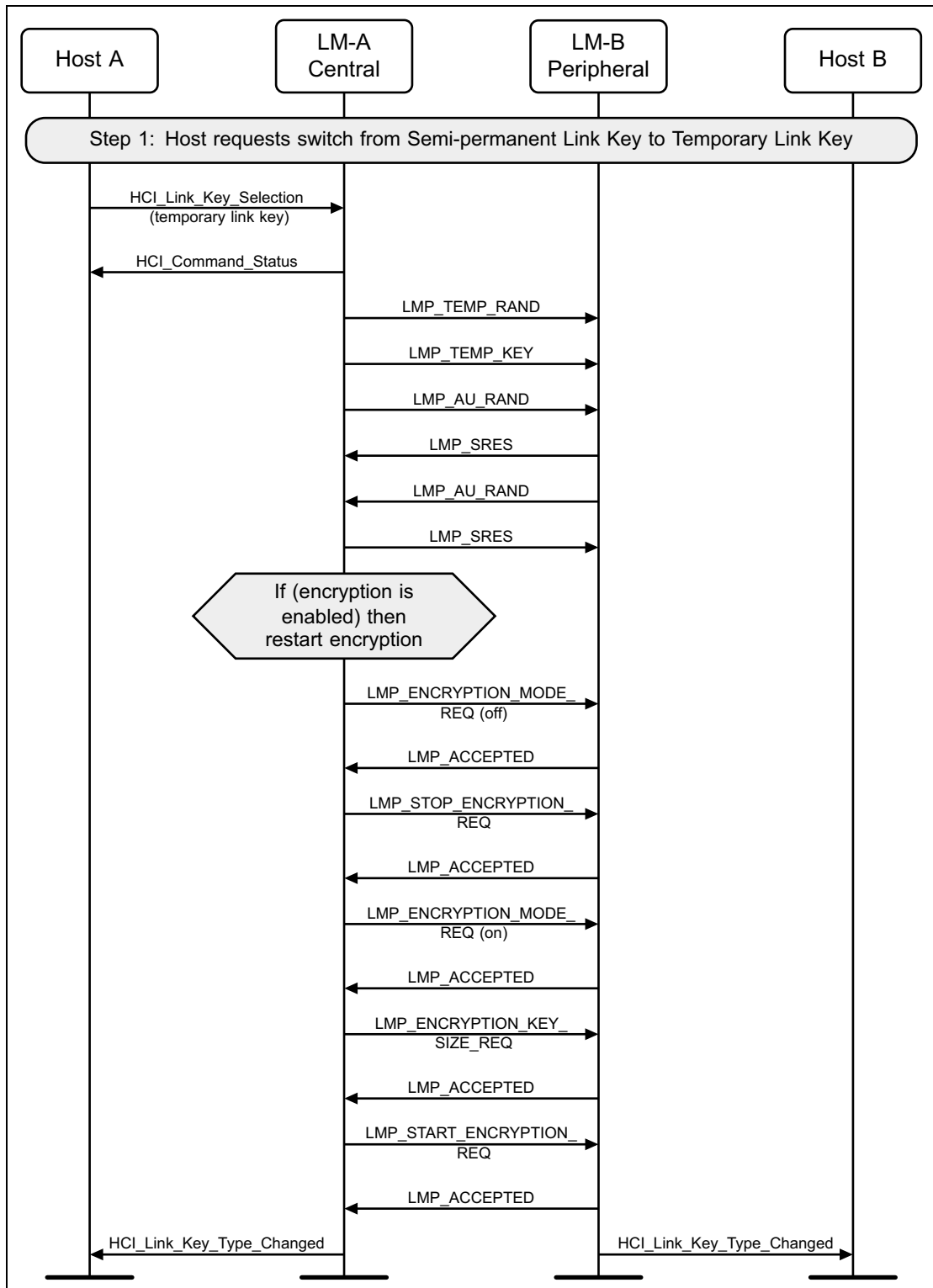


Figure 4.34: Change to temporary link key



Step 2: The Host changes to a Semi-permanent Link Key from a Temporary Link Key using the HCI_Link_Key_Selection command. (See [Figure 4.35.](#))

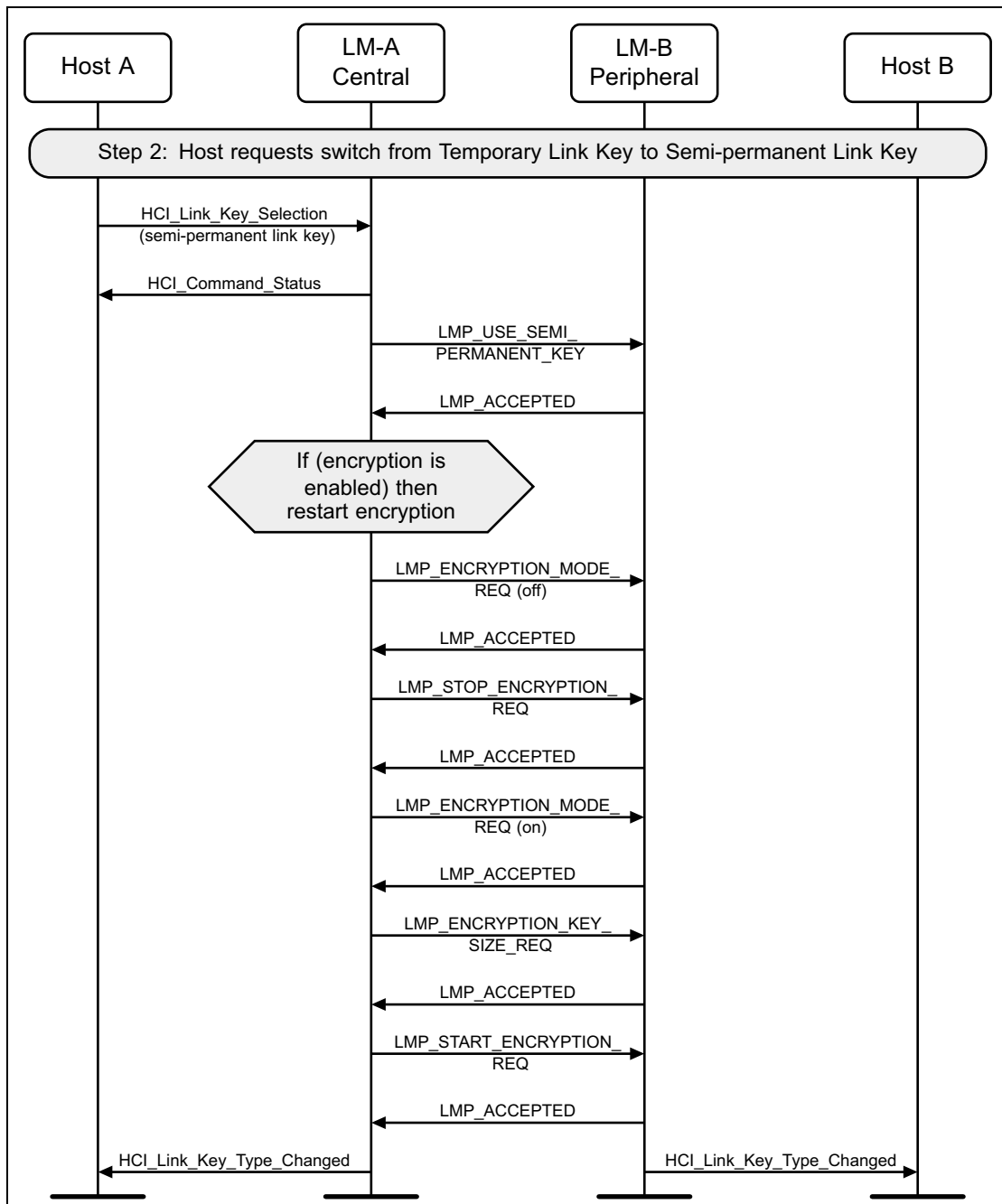


Figure 4.35: Change to semi-permanent link key

4.8 READ REMOTE SUPPORTED FEATURES

Using the HCI_Read_Remote_Supported_Features command the supported LMP Features of a remote device can be read. (See [Figure 4.36.](#))

If the remote supported features have been obtained previously then the Controller may return them without sending any LMP PDUs.



Step 1: The Host requests the supported features of a remote device.

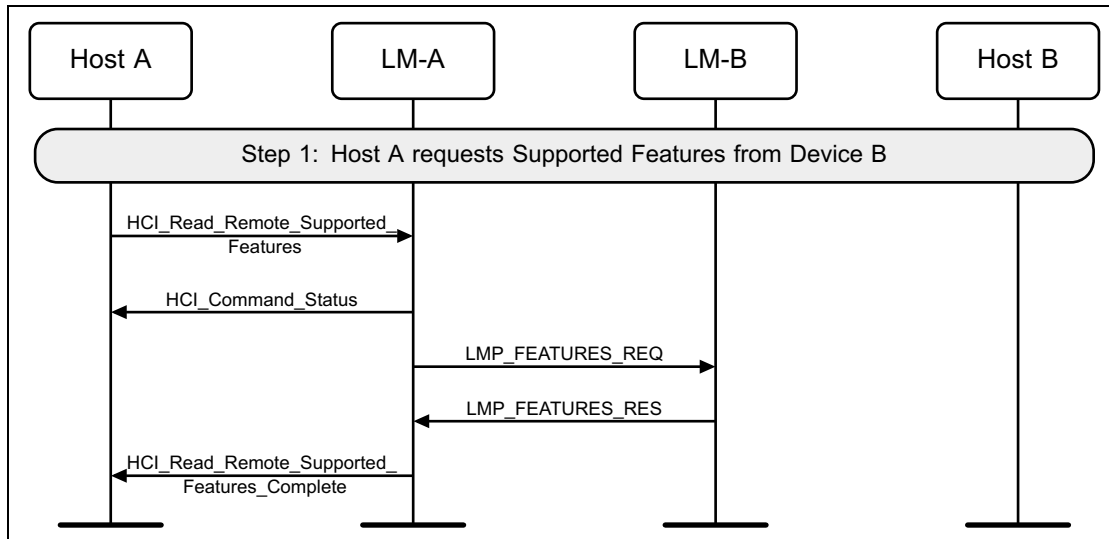


Figure 4.36: Read remote supported features

4.9 READ REMOTE EXTENDED FEATURES

Using the HCI_Read_Remote_Extended_Features command the extended LMP features of a remote device can be read. (See [Figure 4.37.](#))

If the remote extended features have been obtained previously then the Controller may return them without sending any LMP PDUs.

Step 1: The Host requests the extended features of a remote device.

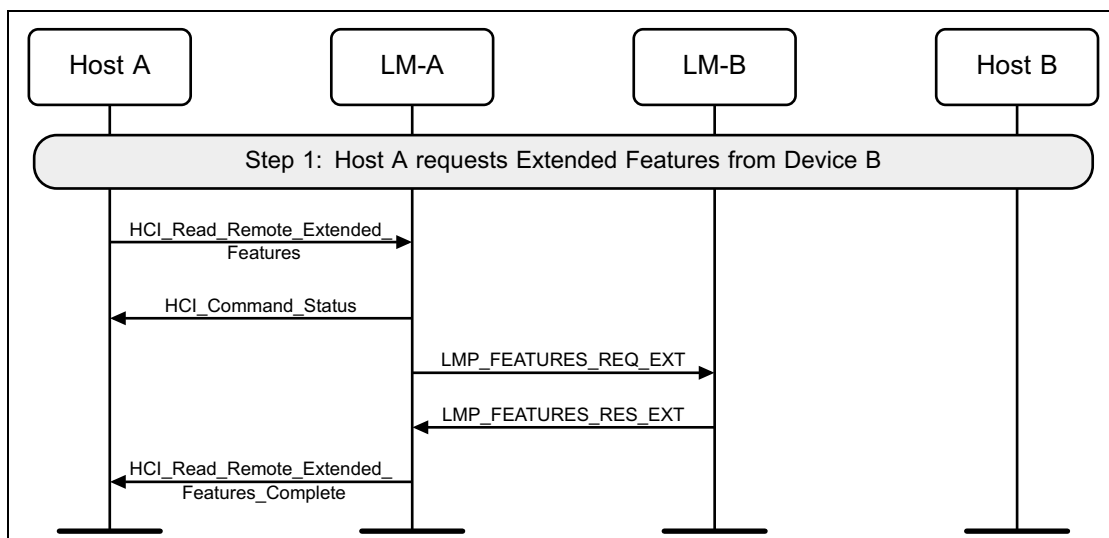


Figure 4.37: Read remote extended features



4.10 READ CLOCK OFFSET

Using the HCI_Read_Clock_Offset command the device acting as the Central can read the Clock Offset of a Peripheral (see Figure 4.38). The Clock Offset can be used to speed up the paging procedure in a later connection attempt.

Step 1: The Host requests the clock offset of a remote device.

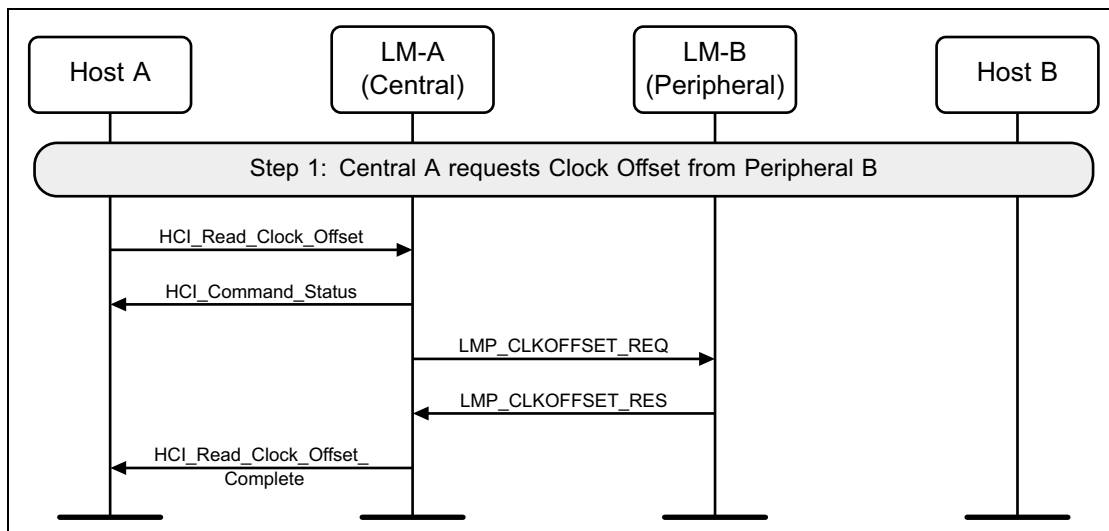


Figure 4.38: Read clock offset (Central)

If the command is requested from the Peripheral, the Controller will directly return an HCI_Command_Status event and an HCI_Read_Clock_Offset_Complete event without sending any LMP PDUs (see Figure 4.39).

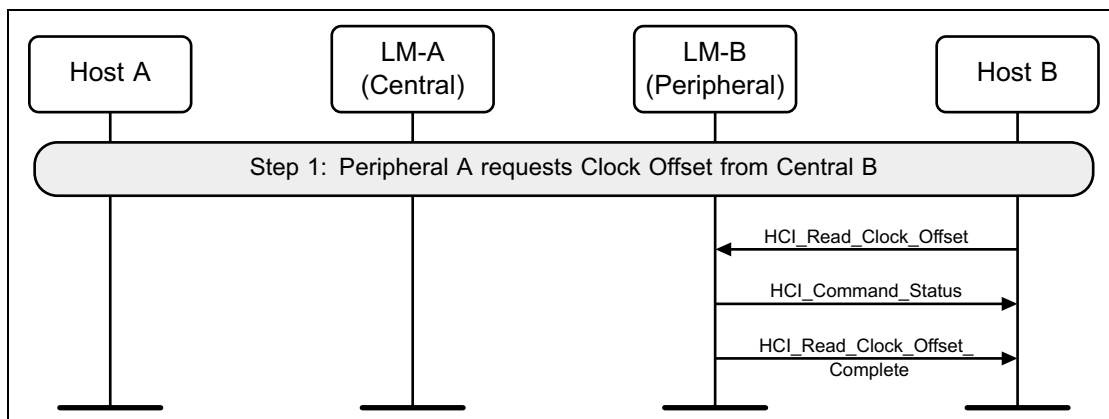


Figure 4.39: Read clock offset (Peripheral)



4.11 ROLE SWITCH ON AN ENCRYPTED LINK USING ENCRYPTION PAUSE AND RESUME

The HCI_Switch_Role command can be used to explicitly switch the current Central / Peripheral role of the local device with the specified device. The Central's Host (A) requests a role switch with a Peripheral. This will first pause encryption, and then send the switch request, and the Peripheral will respond with the slot offset and accepted. The role switch is performed by doing the TDD switch and piconet switch. Encryption is resumed, and finally an HCI_Role_Change event is sent on both sides. (See [Figure 4.40.](#))

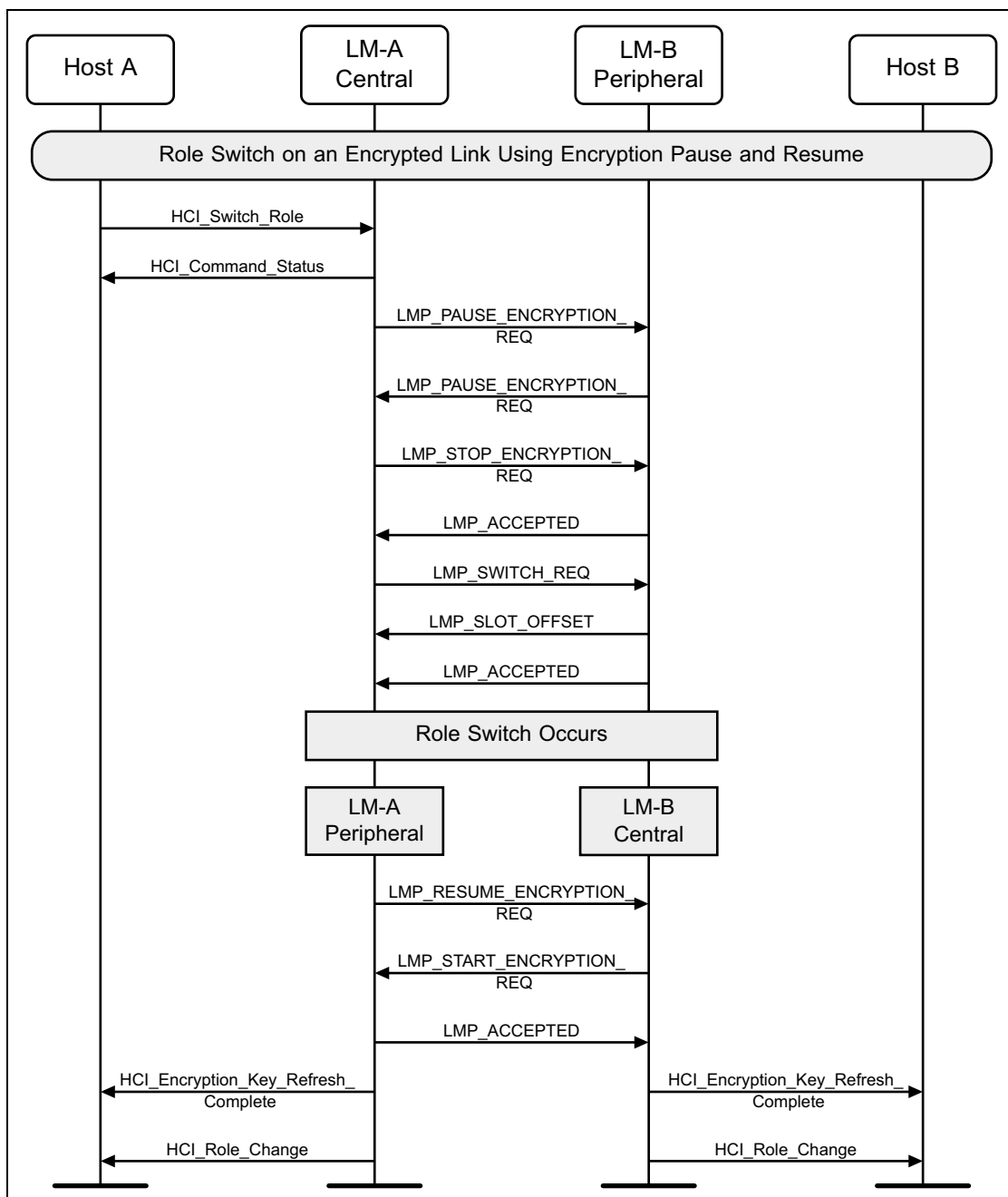


Figure 4.40: Role switch on an encrypted link using encryption pause and resume



4.12 REFRESHING ENCRYPTION KEYS

The HCI_Refresh_Encryption_Key command may be used by the Central's Host to explicitly pause and resuming encryption to refresh the encryption key. After encryption is resumed an HCI_Encryption_Key_Refresh_Complete event is sent on both sides. (See [Figure 4.41](#)).

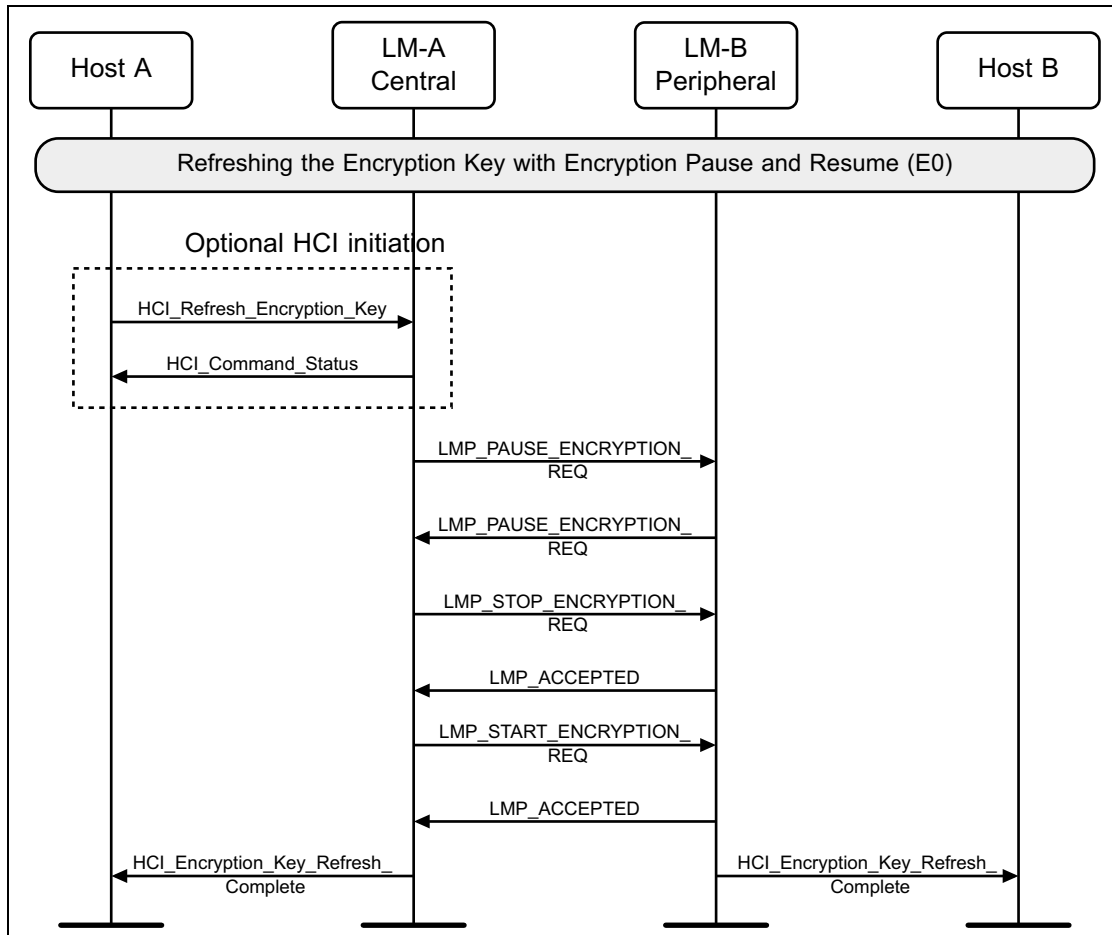


Figure 4.41: Refreshing encryption keys (E0)



When both devices support Secure Connections, the encryption key refresh sequence is performed as follows.

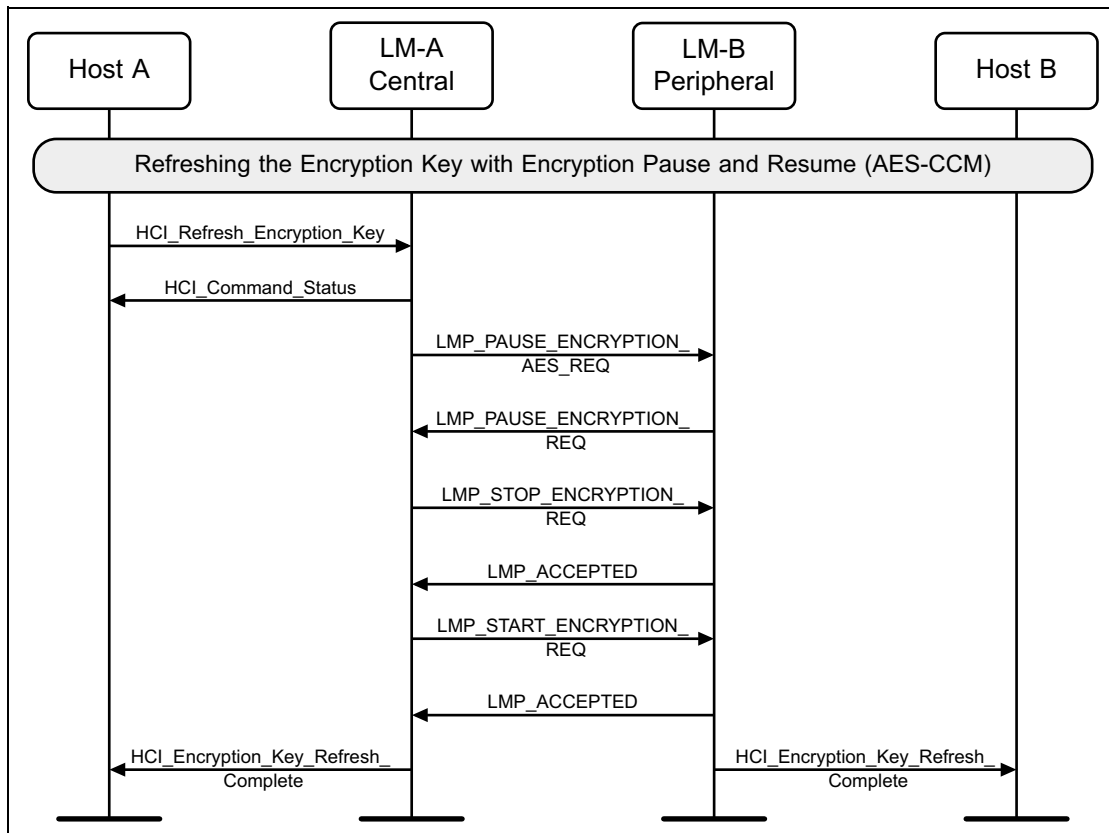


Figure 4.42: Refreshing encryption keys (AES-CCM)

4.13 READ REMOTE VERSION INFORMATION

Using the HCI_Read_Remote_Version_Information command the version information of a remote device can be read. (See [Figure 4.43](#).)

If the remote version information has been obtained previously then the Controller may return them without sending any LMP PDUs.



Step 1: The Host requests the version information of a remote device.

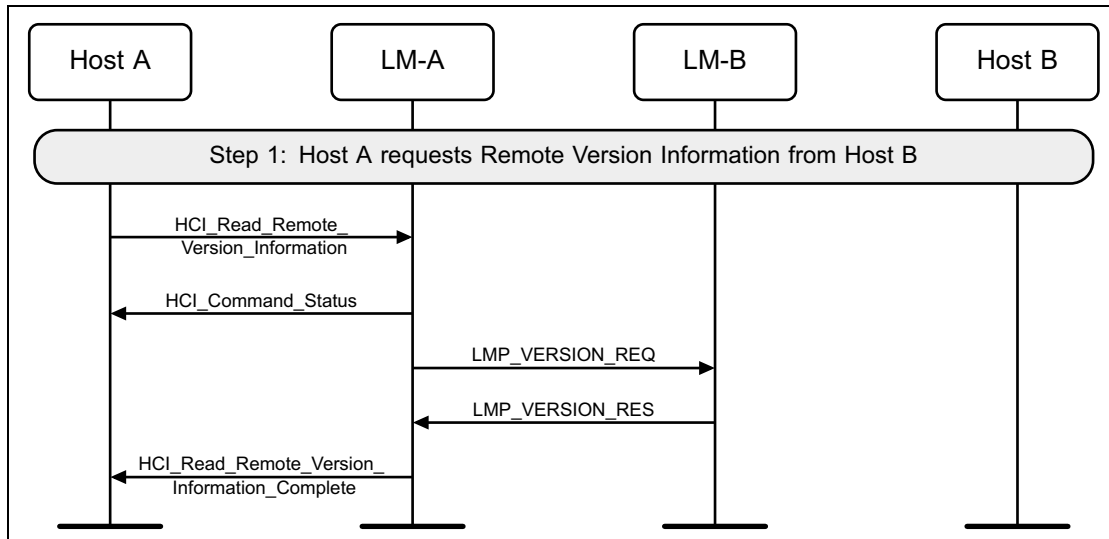


Figure 4.43: Read remote version information

4.14 QOS SETUP

Using the HCI_Flow_Specification command the Quality of Service (QoS) and Flow Specification requirements of a connection can be notified to a Controller. The Controller may then change the quality of service parameters with a remote device. (See [Figure 4.44.](#))



Step 1: The Host sends QoS parameters to a remote device.

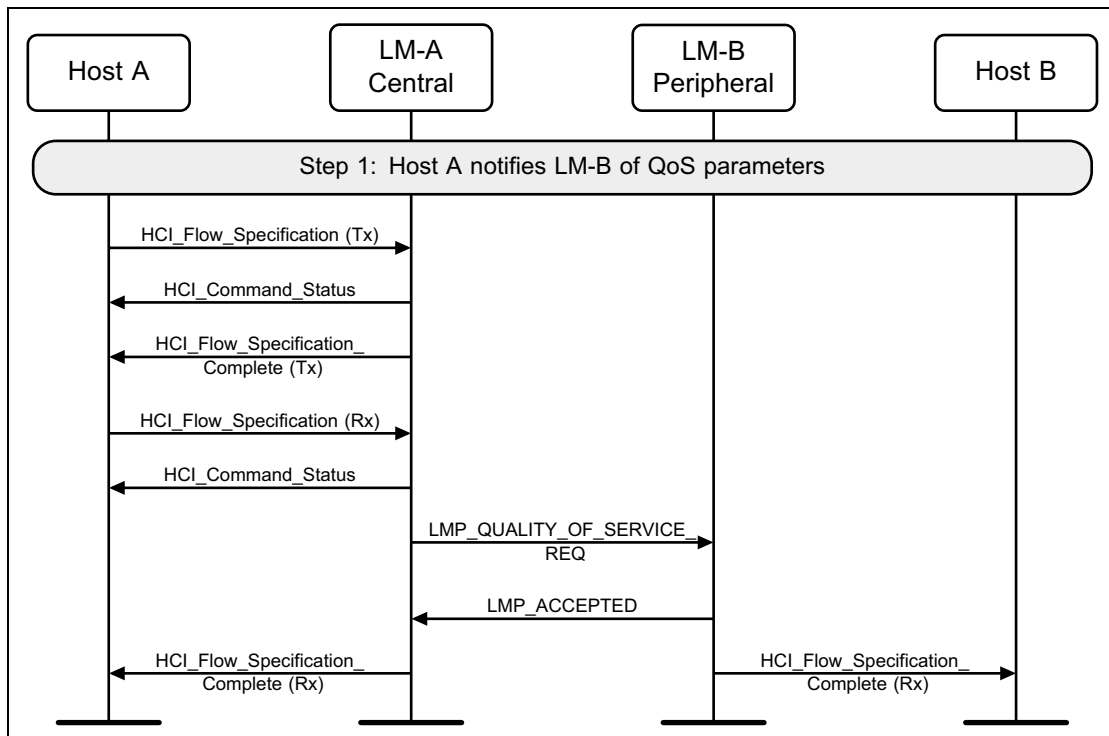


Figure 4.44: QoS flow specification

4.15 SWITCH ROLE

The HCI_Switch_Role command can be used to explicitly switch the current Central / Peripheral role of the local device with the specified device.

Step 1a: The Central's Host (A) requests a role switch with a Peripheral. This will send the switch request, and the Peripheral will respond with the slot offset and accepted. (See [Figure 4.45](#).)

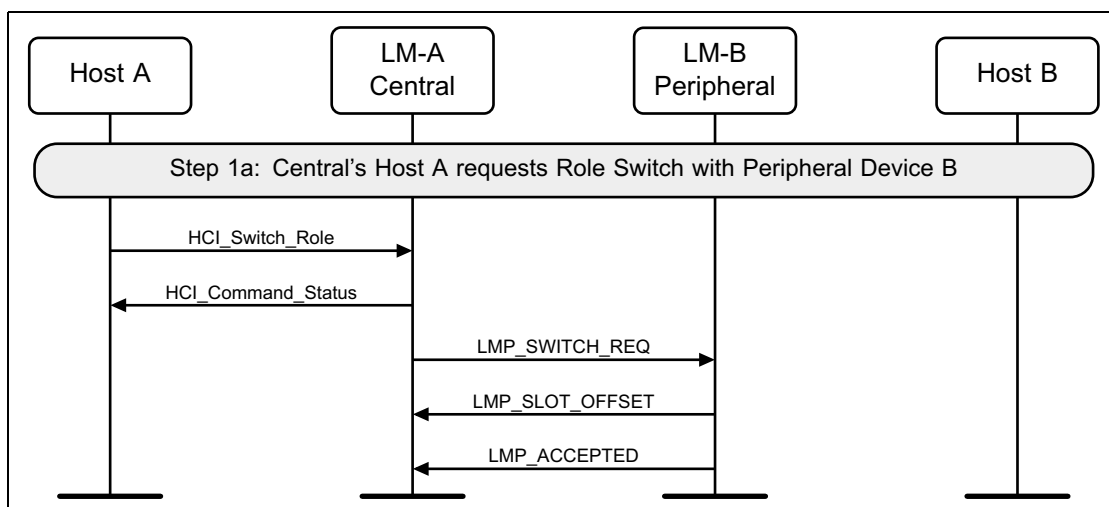


Figure 4.45: Central requests role switch



Step 1b: The Peripheral's Host (B) requests a role switch with a Central. This will send the slot offset and the switch request, and the Central will respond with a LMP_ACCEPTED PDU. (See [Figure 4.46.](#))

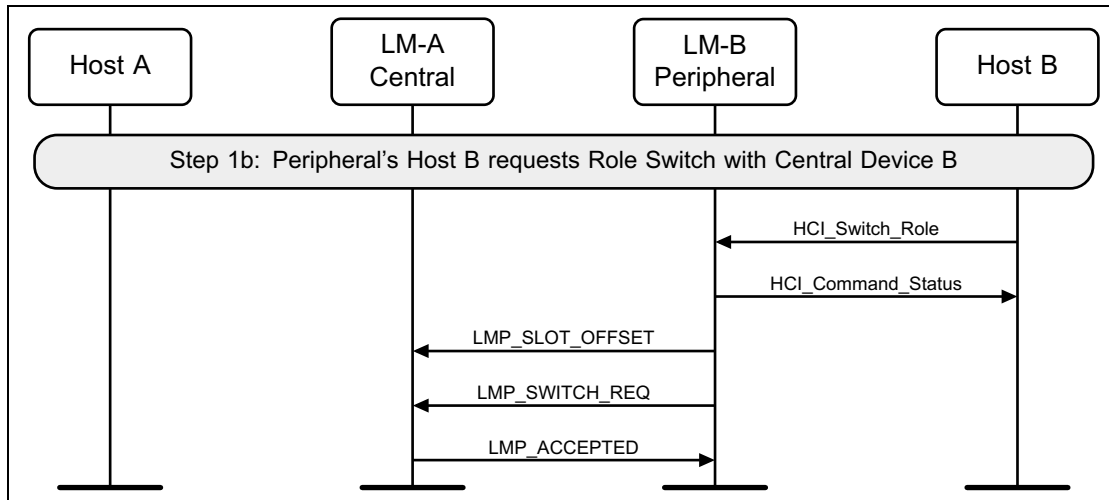


Figure 4.46: Peripheral requests role switch

Step 2: The role switch is performed by doing the TDD switch and piconet switch. Finally an HCI_Role_Change event is sent on both sides. (See [Figure 4.47.](#))

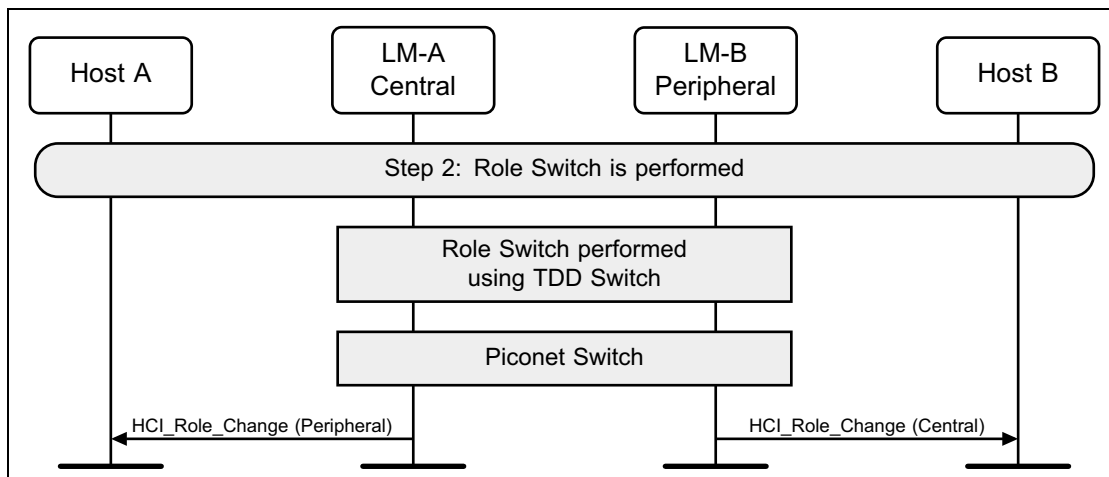


Figure 4.47: Role switch is performed

4.16 [THIS SECTION IS NO LONGER USED]

4.17 [THIS SECTION IS NO LONGER USED]

4.18 SLOT AVAILABILITY MASK

Step 1: The setup of SAM may be triggered by the Link Manager for MWS coexistence or topology management purposes. SAM setup may be triggered



by HCI commands as shown in [Figure 4.48](#) or by the real-time signals (e.g. MWS_PATTERN_Index, FRAME_SYNC, etc.) from the Coexistence Logical Interface (see [\[Vol 7\] Part A](#)).

Piconet Clock Adjustment may be performed to create more available slot pairs per MWS frame.

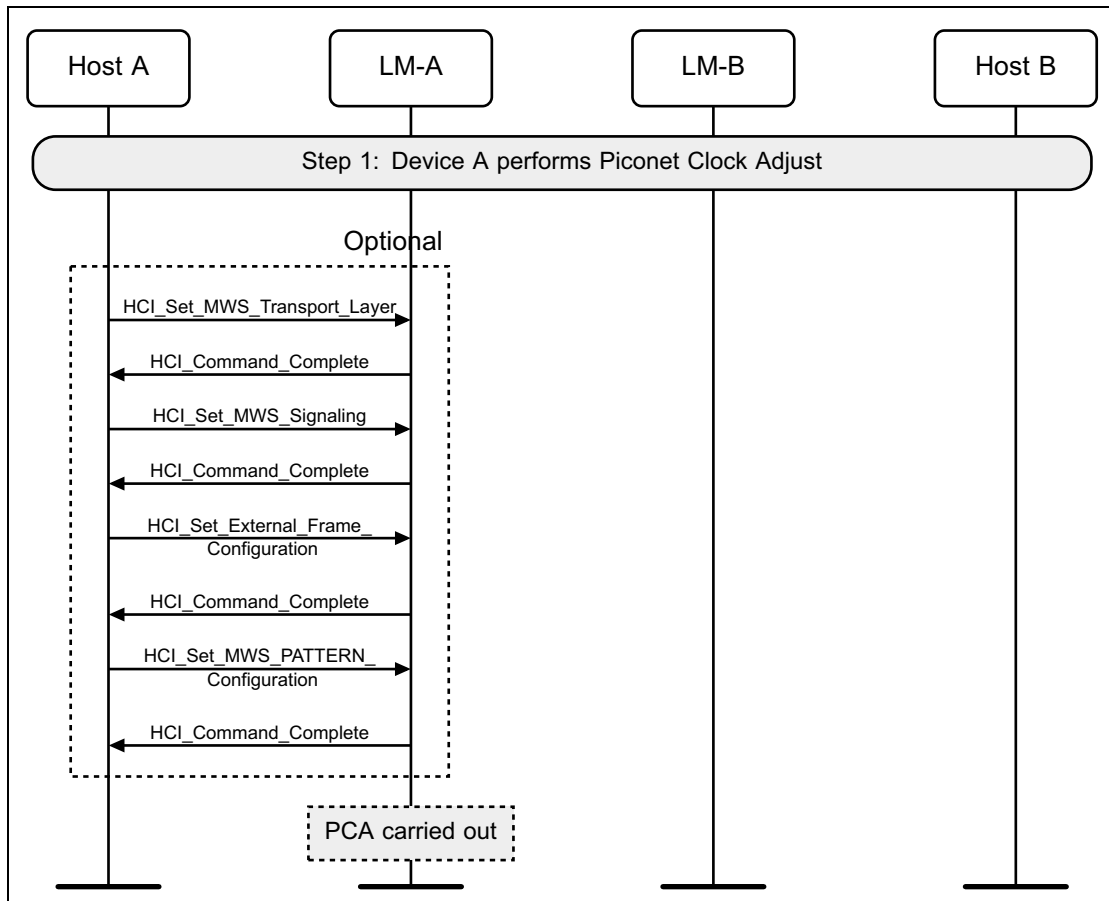


Figure 4.48: SAM configuration setup on device A



Step 2: The Link Manager on device A sends the SAM configuration to device B and then selects a SAM map (see [Figure 4.49](#)).

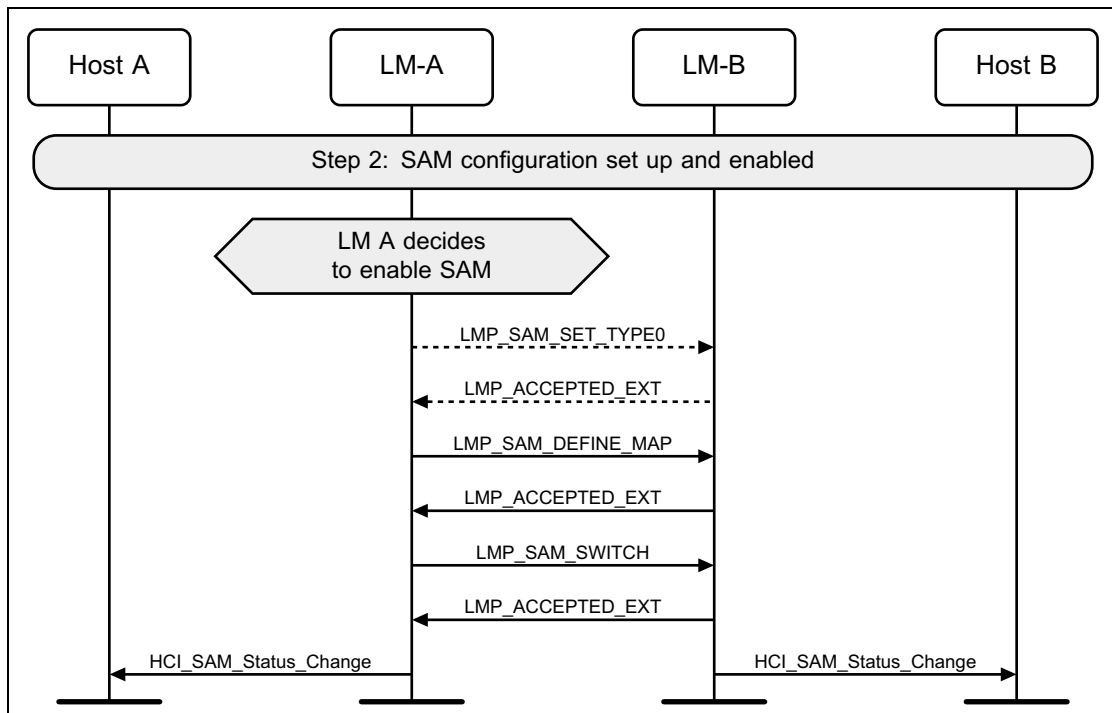


Figure 4.49: SAM configuration transmitted to device B



Step 3: Device A receives a new configuration (possibly over HCI), sends it to device B, and switches to using it (see [Figure 4.50](#)).

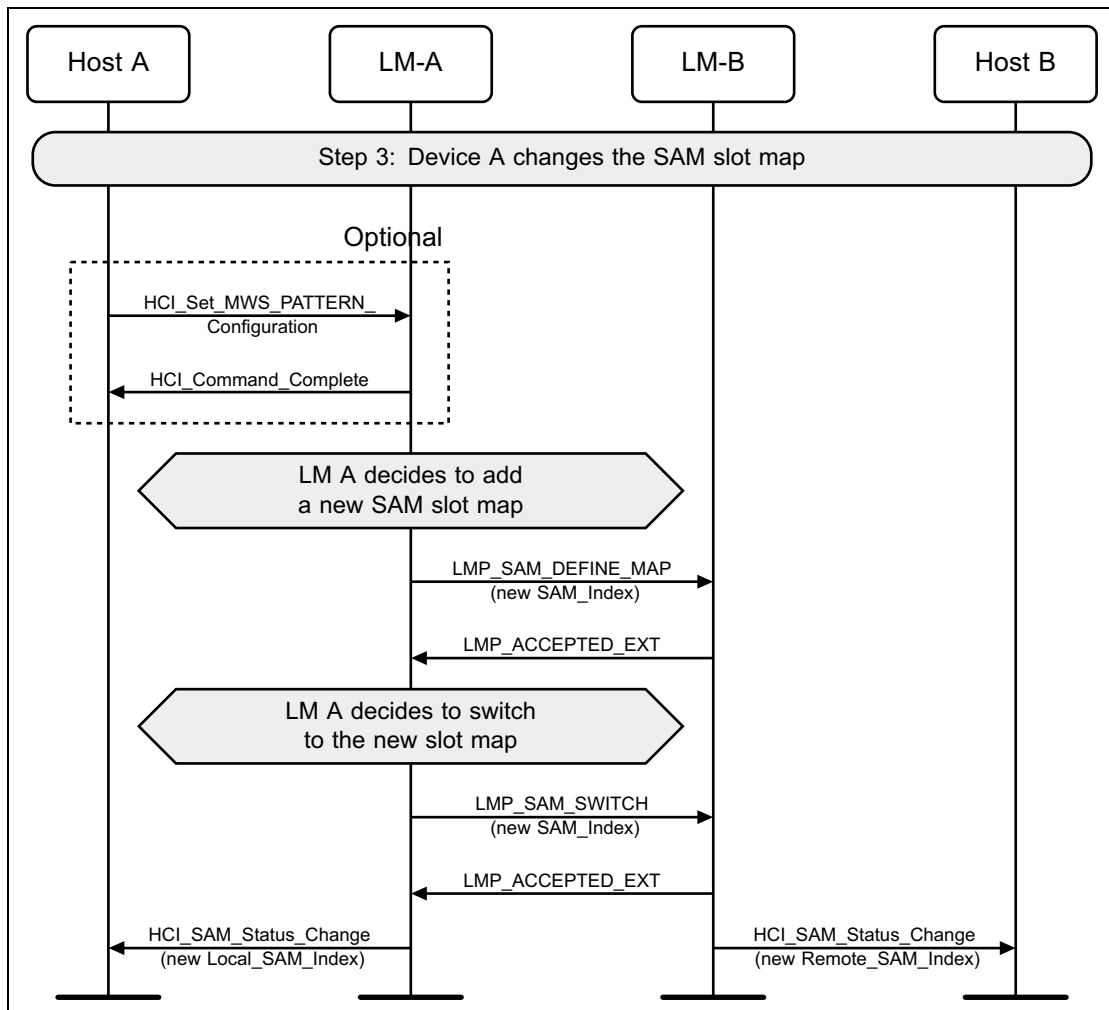


Figure 4.50: SAM configuration change



4.19 LMP TRANSACTION COLLISION

The Link Managers of both the Central and Peripheral may initiate the same LMP transaction at the same time.

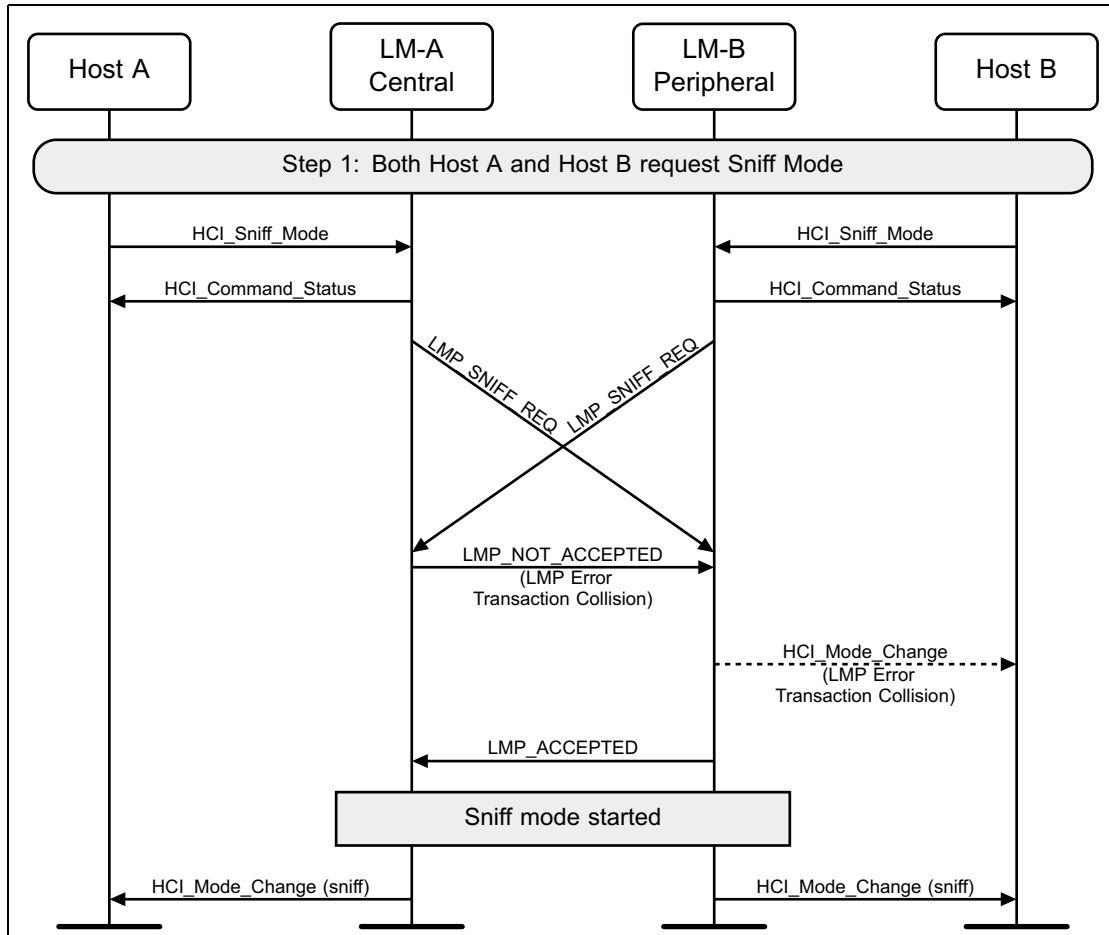


Figure 4.51: LMP transaction collision



5 SYNCHRONOUS CONNECTION ESTABLISHMENT AND DETACHMENT

5.1 SYNCHRONOUS CONNECTION SETUP

Using the `HCI_Setup_Synchronous_Connection` command, a Host can add a synchronous logical channel to the link. A synchronous logical link can be provided by creating a SCO or an eSCO logical transport.

Note: An ACL connection must be established before a synchronous connection can be created.

Step 1a: Central requests a synchronous connection with a device.
(See [Figure 5.1.](#))

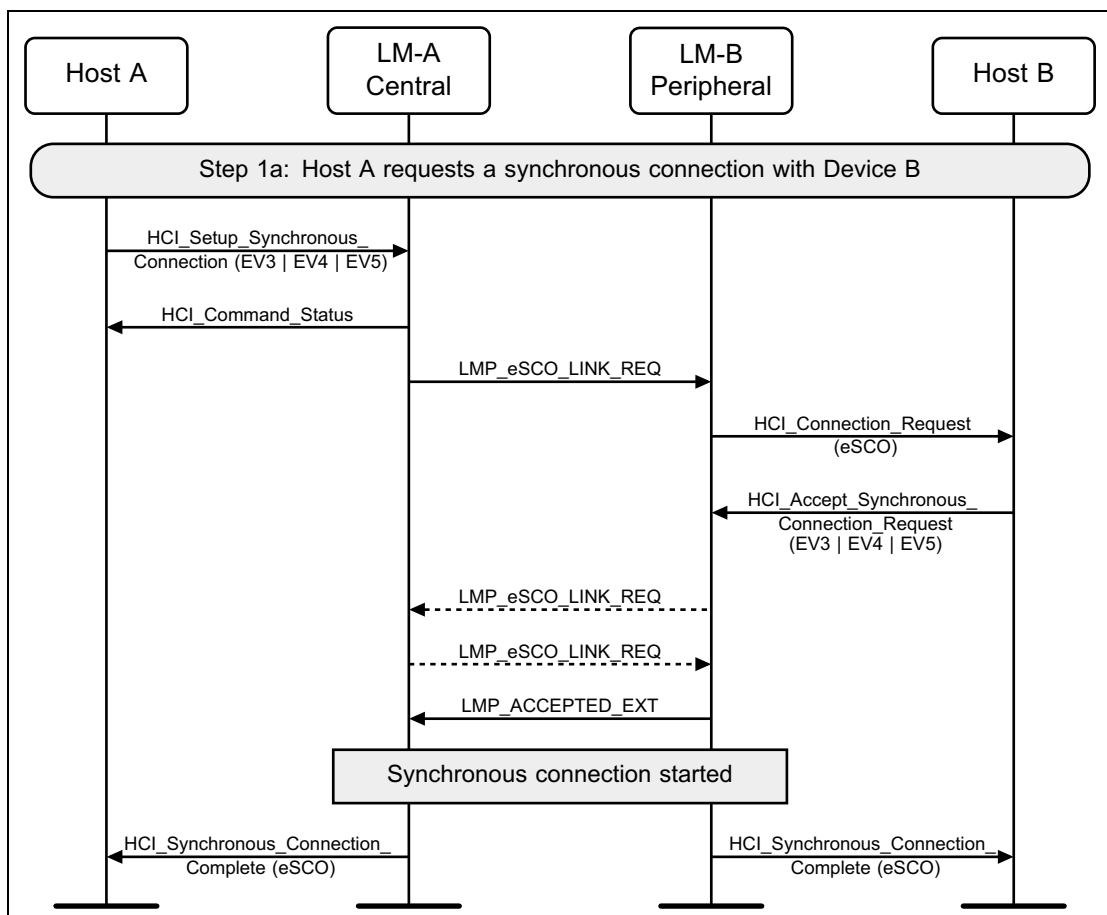


Figure 5.1: Central requests synchronous EV3, EV4, or EV5 connection



Step 1b: Peripheral requests a synchronous connection with a device. (See [Figure 5.2.](#))

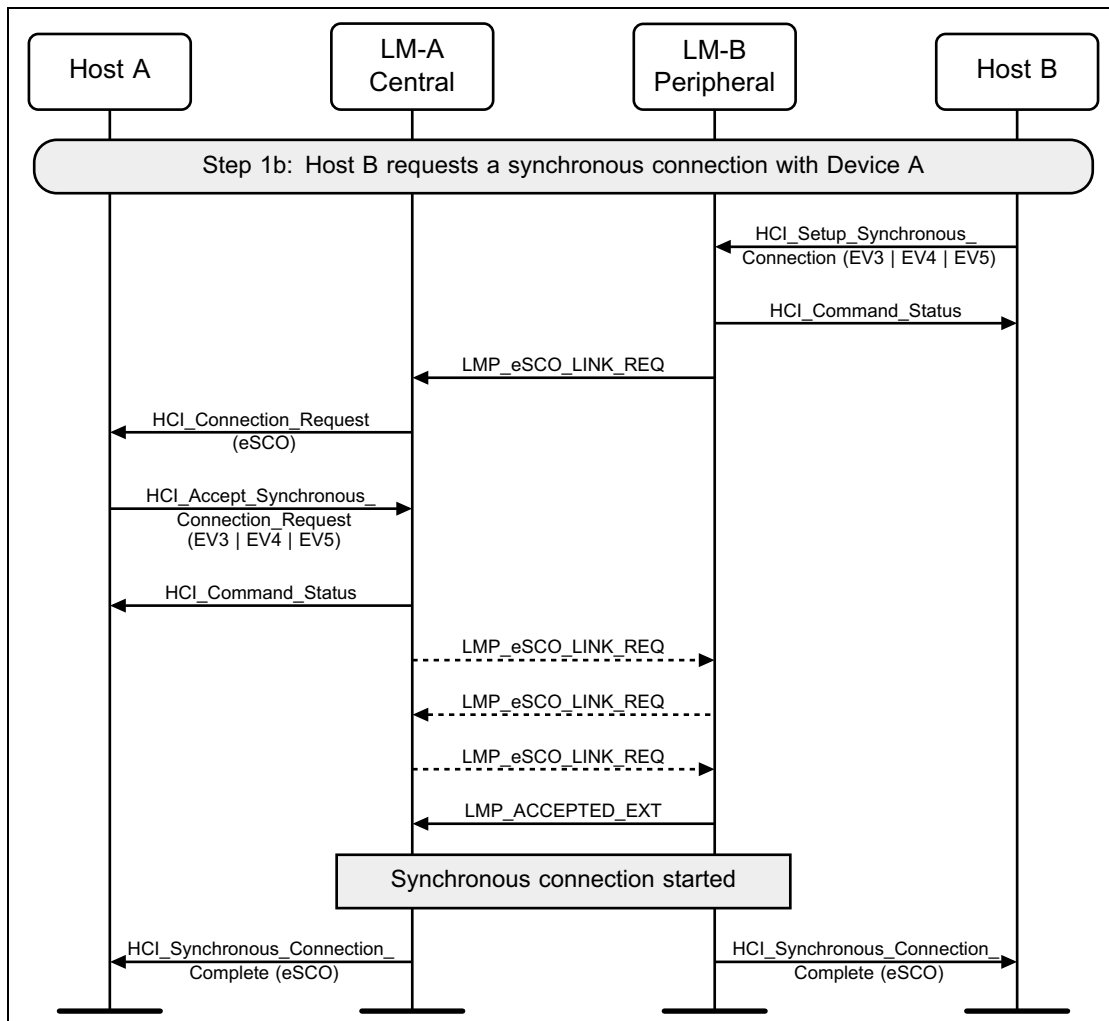


Figure 5.2: Peripheral requests synchronous EV3, EV4, or EV5 connection



Step 1c: Central requests a SCO connection with a device. (See [Figure 5.3.](#))

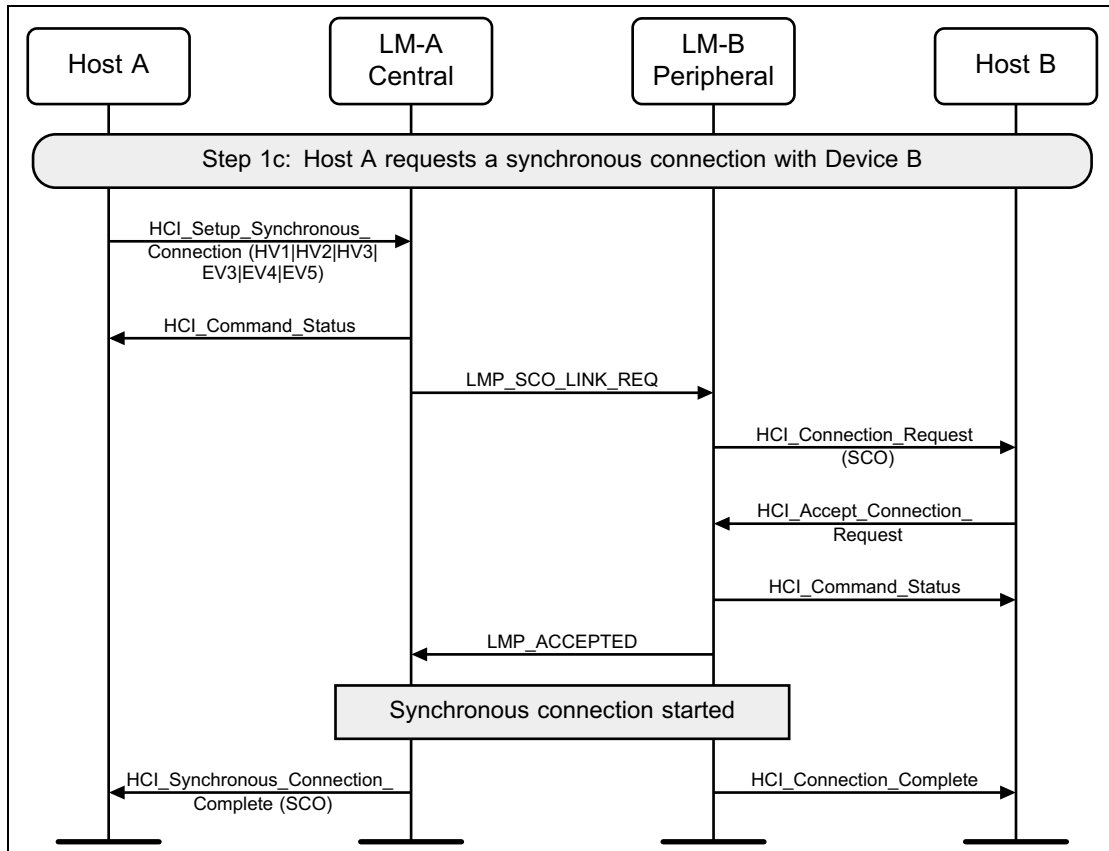


Figure 5.3: Central requests synchronous connection using SCO



Step 1d: Central requests a SCO connection with a device. (See [Figure 5.4.](#))

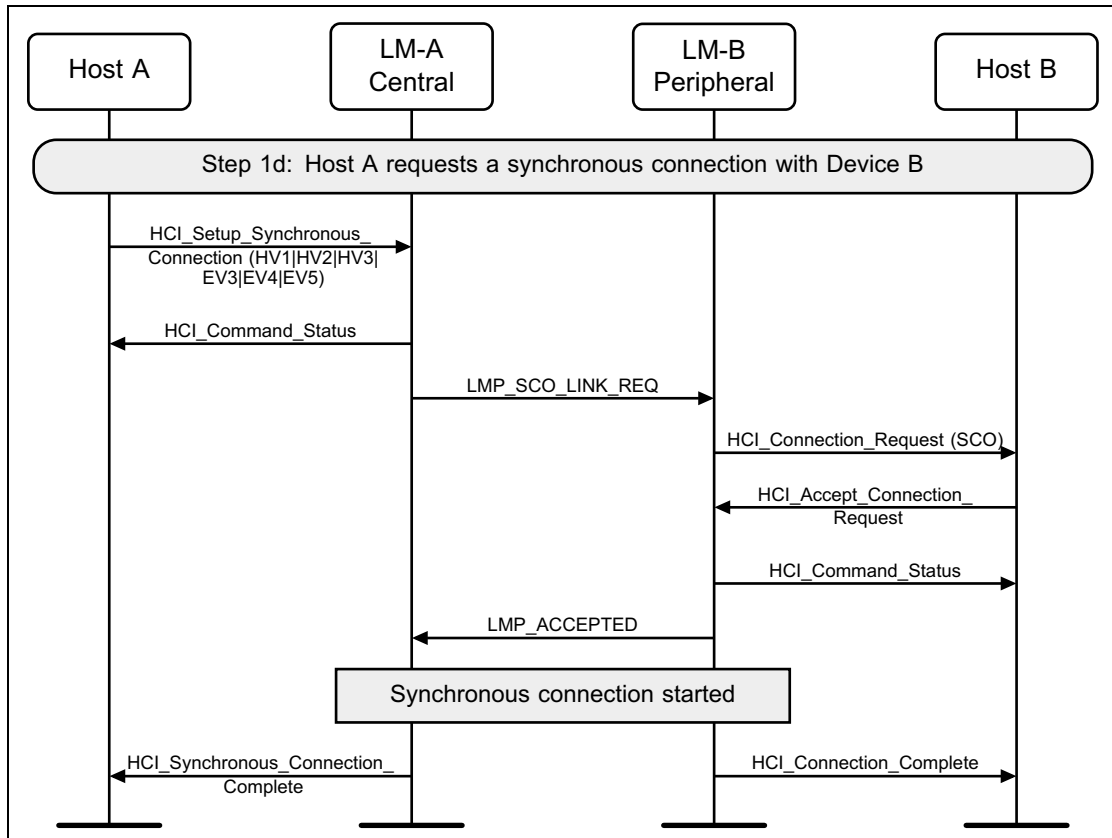


Figure 5.4: Central requests synchronous connection with legacy Peripheral



Step 1e: Host device requests a SCO connection with a device. (See [Figure 5.5.](#))

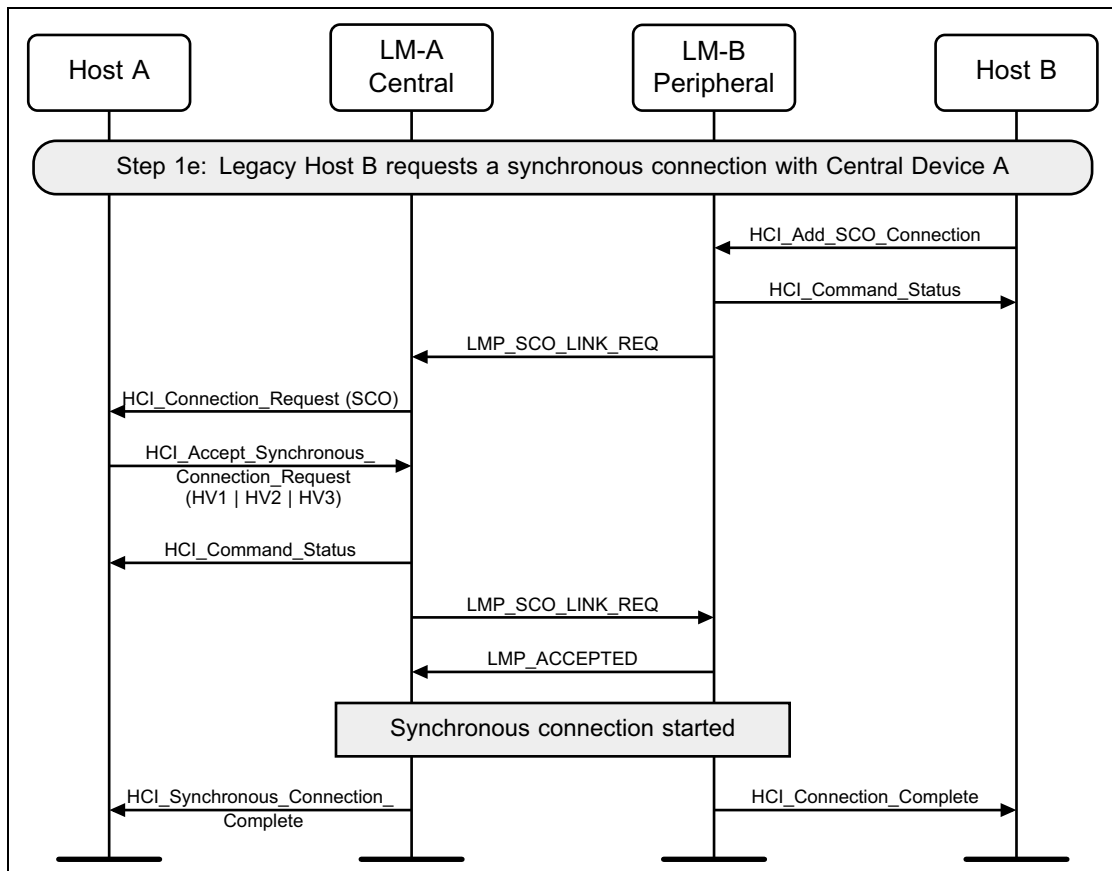


Figure 5.5: Any device that supports only SCO connections requests a synchronous connection with a device



Step 2a: Central renegotiates eSCO connection (see [Figure 5.6.](#))

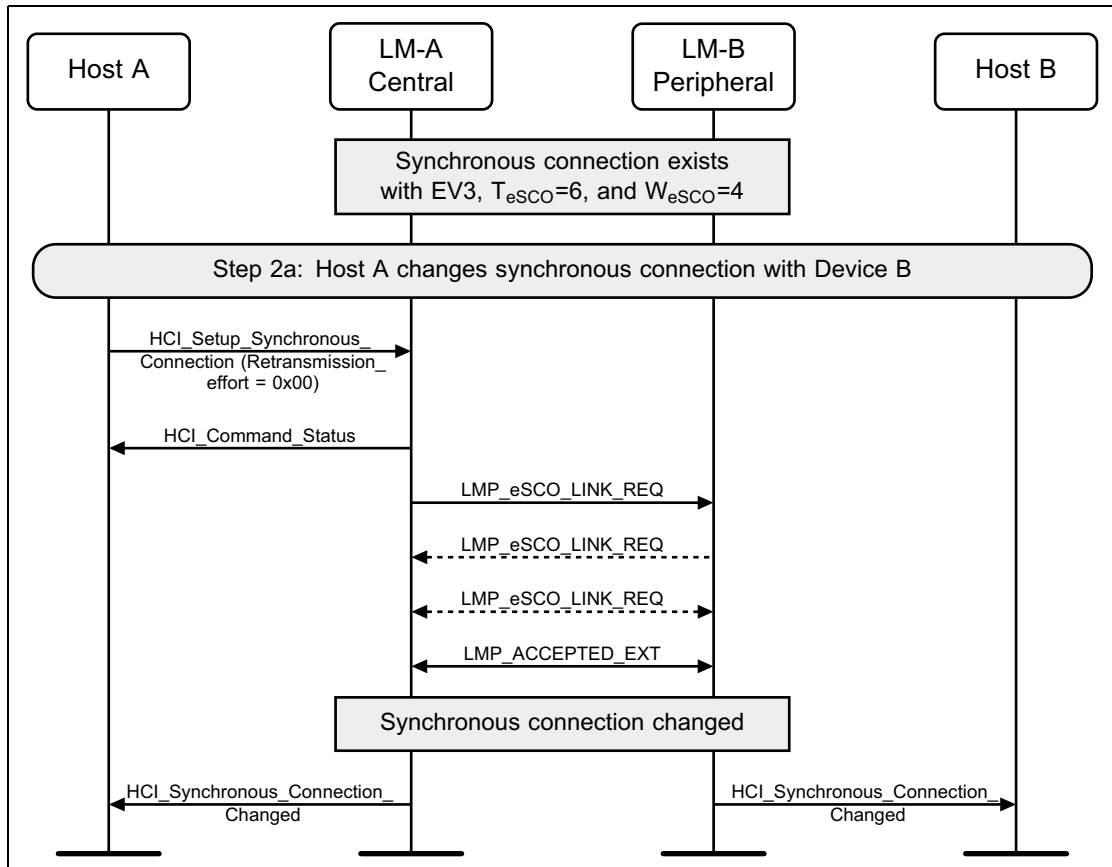


Figure 5.6: Central renegotiates eSCO connection



Step 2b: Peripheral renegotiates eSCO connection (see [Figure 5.7.](#))

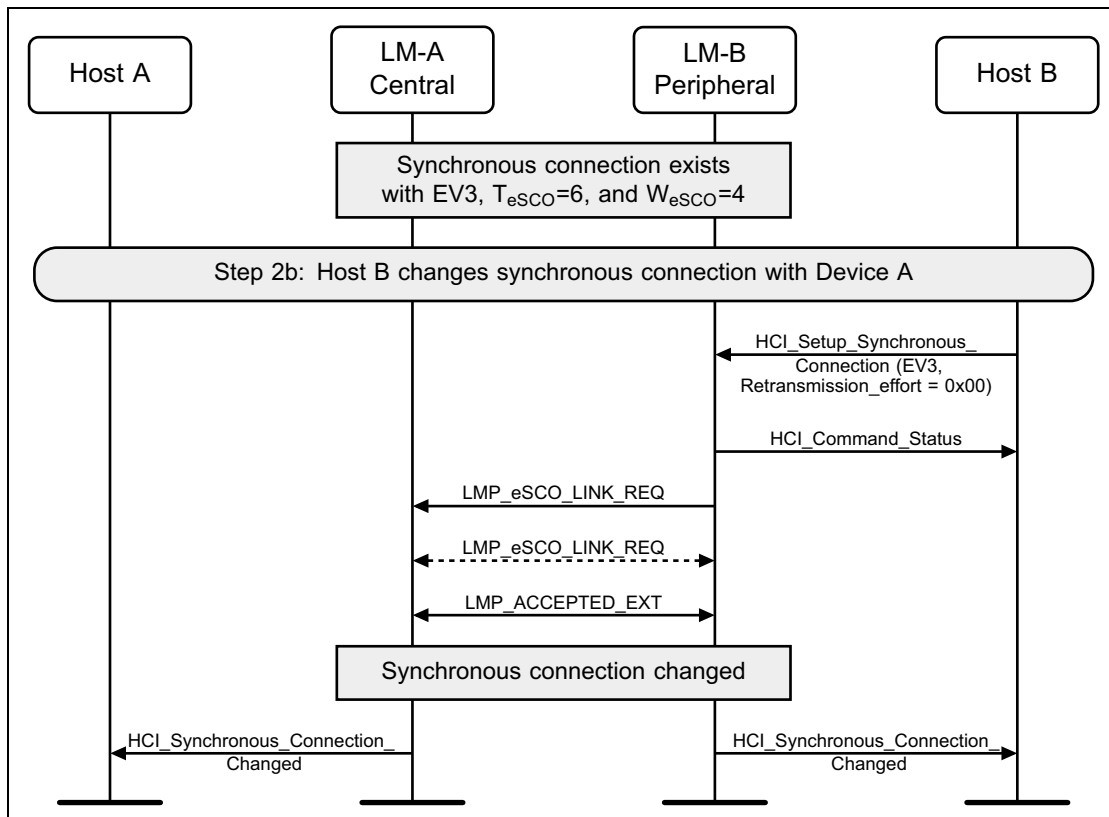


Figure 5.7: Peripheral renegotiates eSCO connection

Step 3a: eSCO disconnection. (See [Figure 5.8.](#))

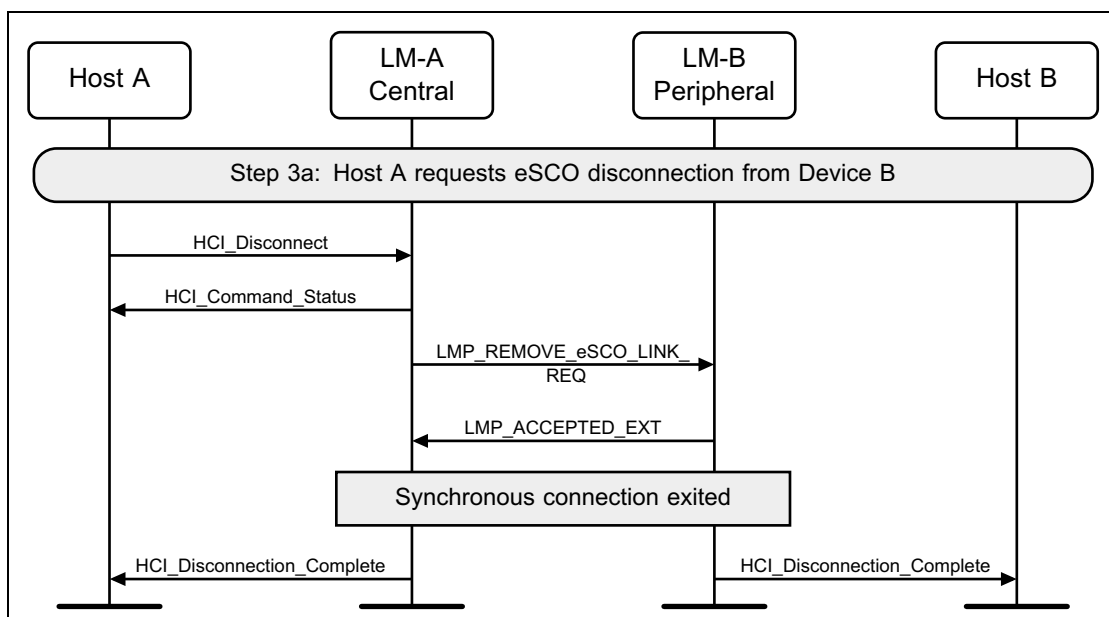


Figure 5.8: Synchronous disconnection of eSCO connection



Step 3b: SCO disconnection. (See [Figure 5.9.](#))

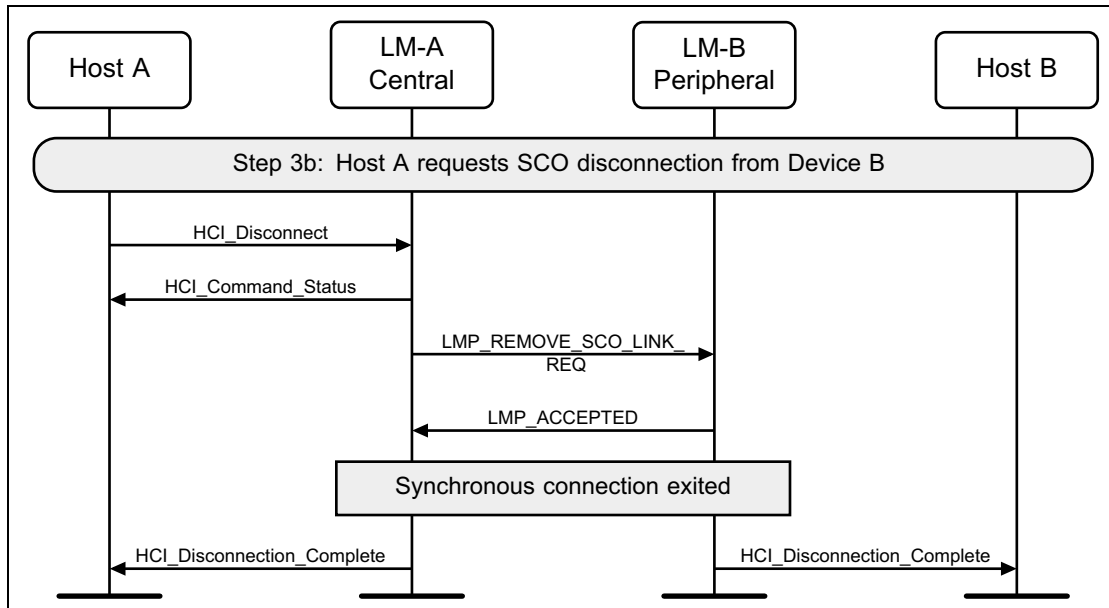


Figure 5.9: Synchronous disconnection of SCO connection

5.2 SYNCHRONOUS CONNECTION SETUP WITH ENHANCED SYNCHRONOUS COMMANDS

Using the `HCI_Enhanced_Setup_Synchronous_Connection` command, a Host can add a synchronous logical channel to the link. A synchronous logical link can be provided by creating a SCO or an eSCO logical transport.

Note: An ACL connection must be established before a synchronous connection can be created.



Step 1a: Central requests a synchronous connection with a Peripheral.

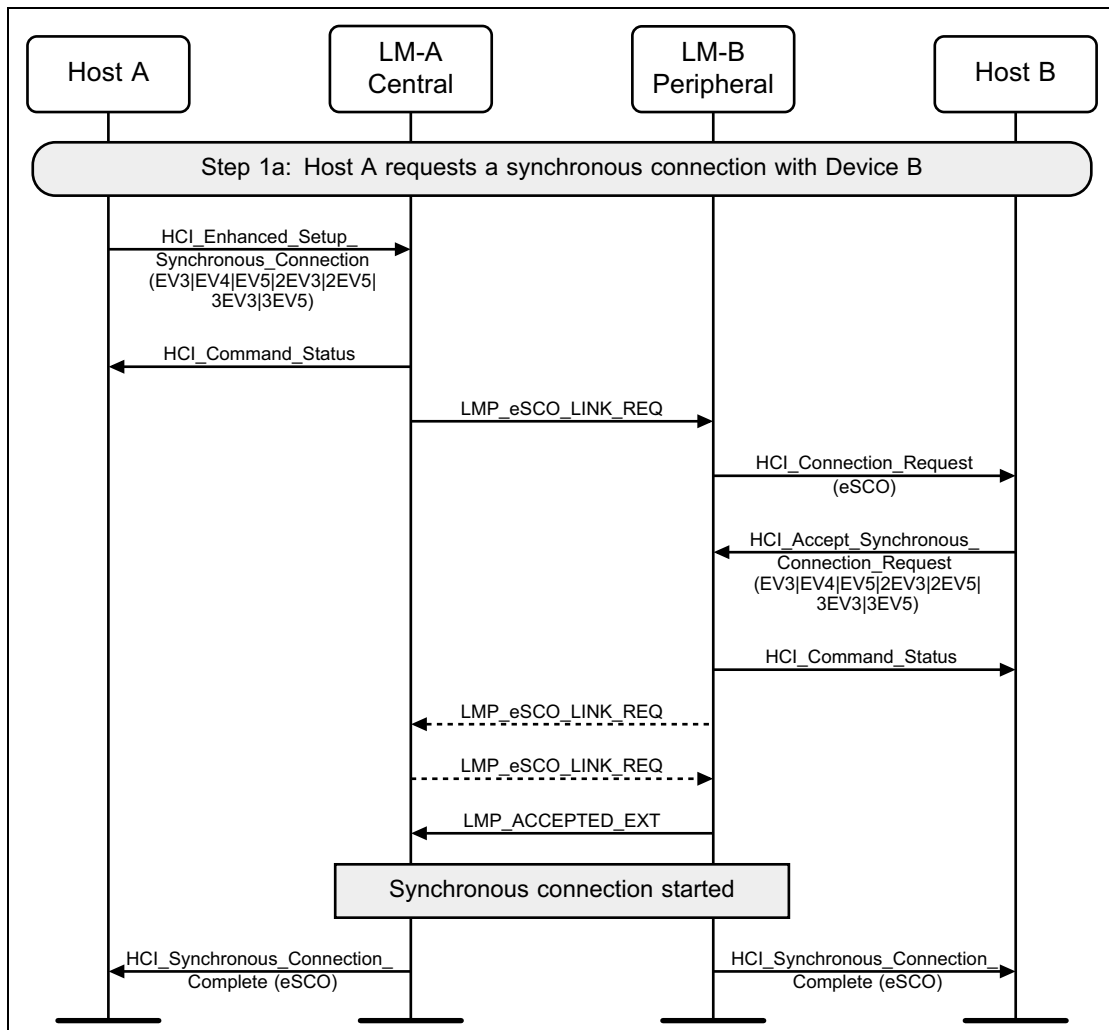


Figure 5.10: Central requests synchronous connection (EV3, EV4, EV5, 2-EV3, 2-EV5, 3-EV3, or 3-EV5)



Step 1b: Peripheral requests a synchronous connection with a Central.

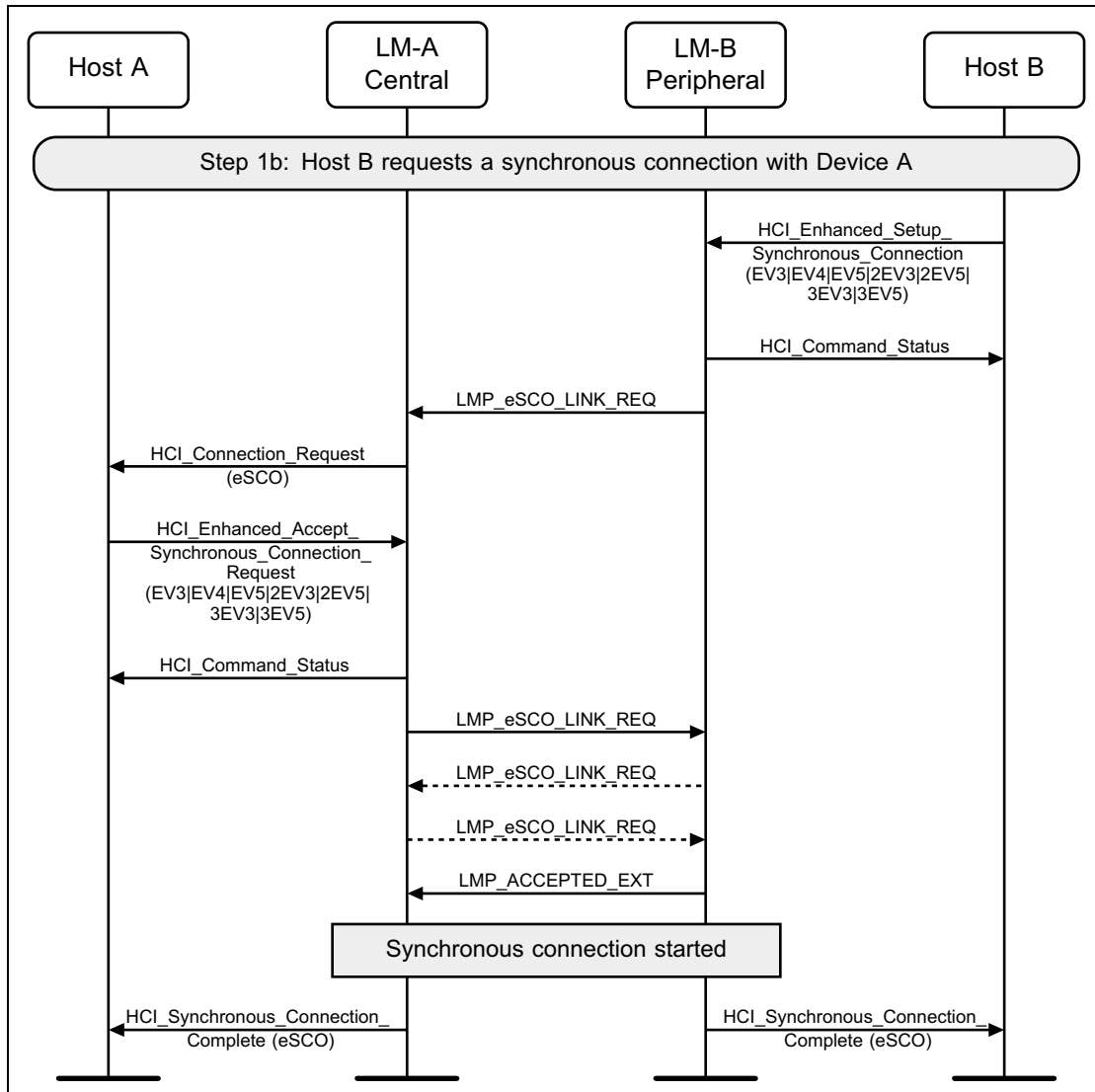


Figure 5.11: Peripheral requests synchronous connection (EV3, EV4, EV5, 2-EV3, 2-EV5, 3-EV3, or 3-EV5)



Step 1c: Central requests a SCO connection with a Peripheral.

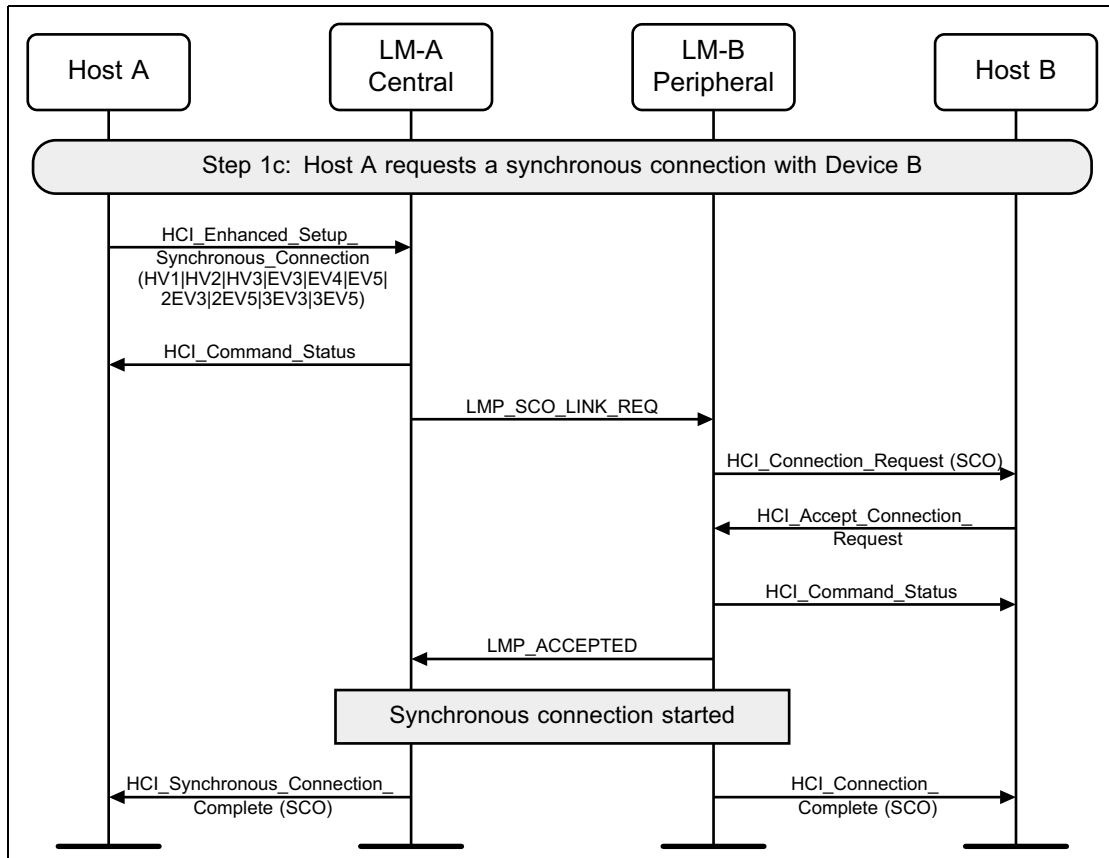


Figure 5.12: Central requests synchronous connection (HV1, HV2, HV3, EV3, EV4, EV5, 2EV3, 2EV5, 3EV3, or 3EV5)



Step 1d: Peripheral requests a SCO connection with a Central.

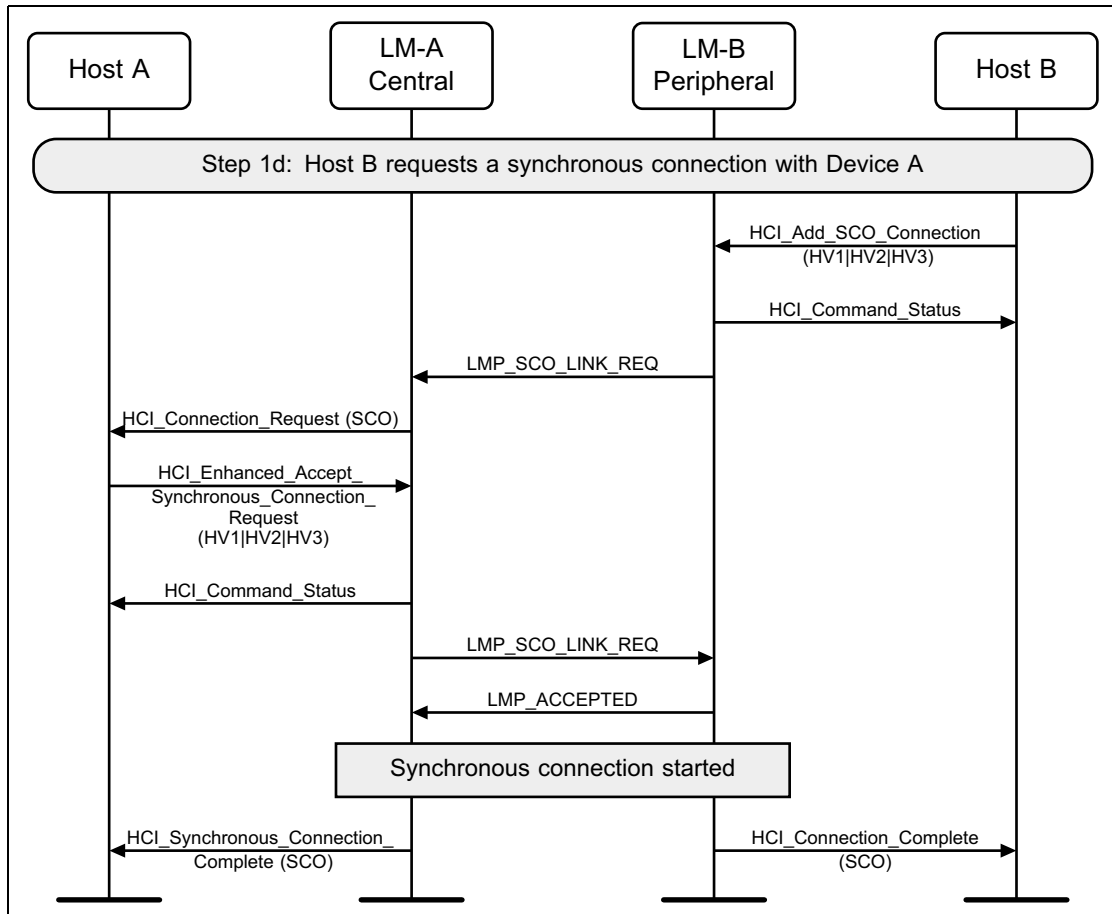


Figure 5.13: Peripheral requests synchronous connection (HV1, HV2, or HV3)



Step 2a: Central renegotiates eSCO connection.

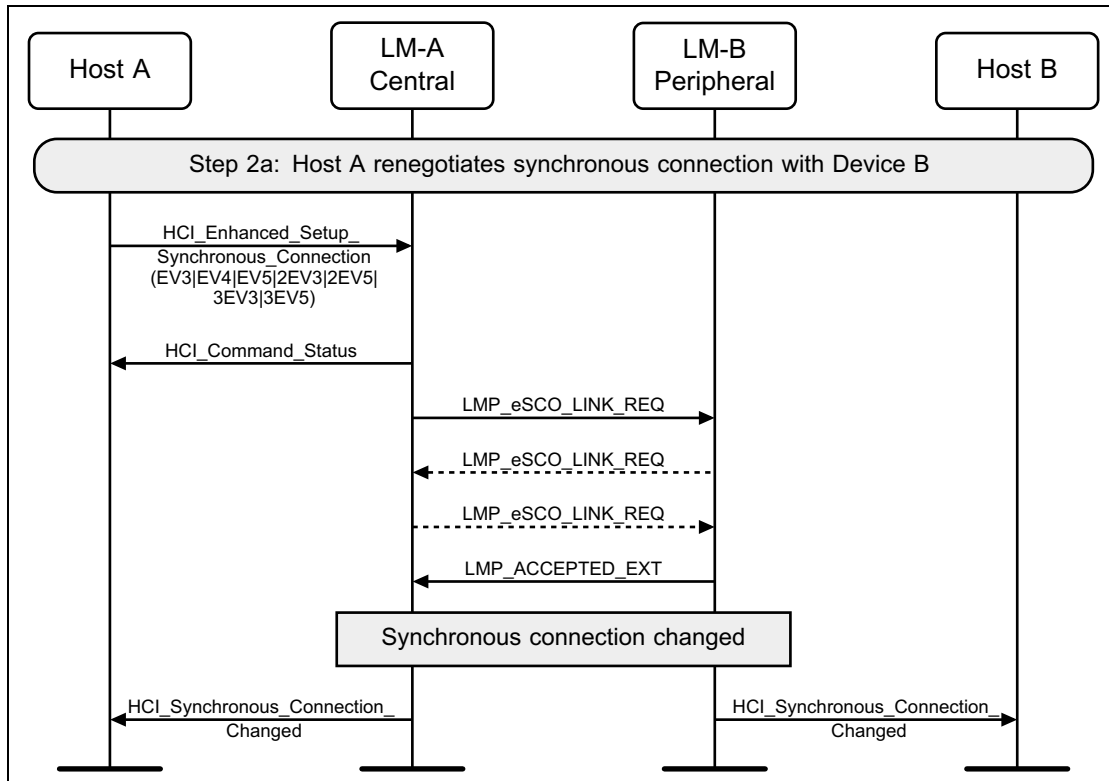


Figure 5.14: Central renegotiates synchronous connection parameter change



Step 2b: Peripheral renegotiates eSCO connection.

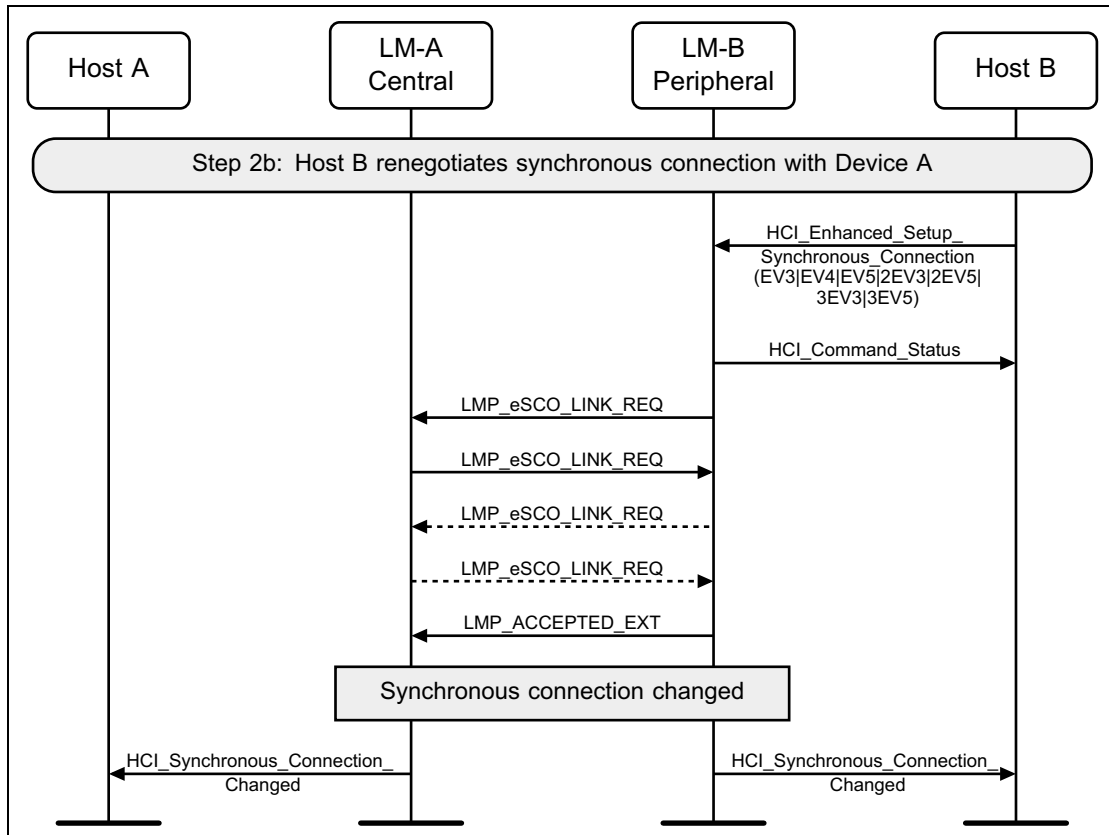


Figure 5.15: Peripheral renegotiates synchronous connection parameter change



6 SNIFF AND HOLD MODES

Entry into Sniff mode or Hold mode requires an established ACL connection.

6.1 SNIFF MODE

The HCI_Sniff_Mode command is used to enter Sniff mode. The HCI_Exit_Sniff_Mode command is used to exit Sniff mode.

Step 1: Host requests to enter Sniff mode. Multiple LMP_SNIFF_REQ PDUs may be sent as the parameters for Sniff mode are negotiated. (See [Figure 6.1.](#))

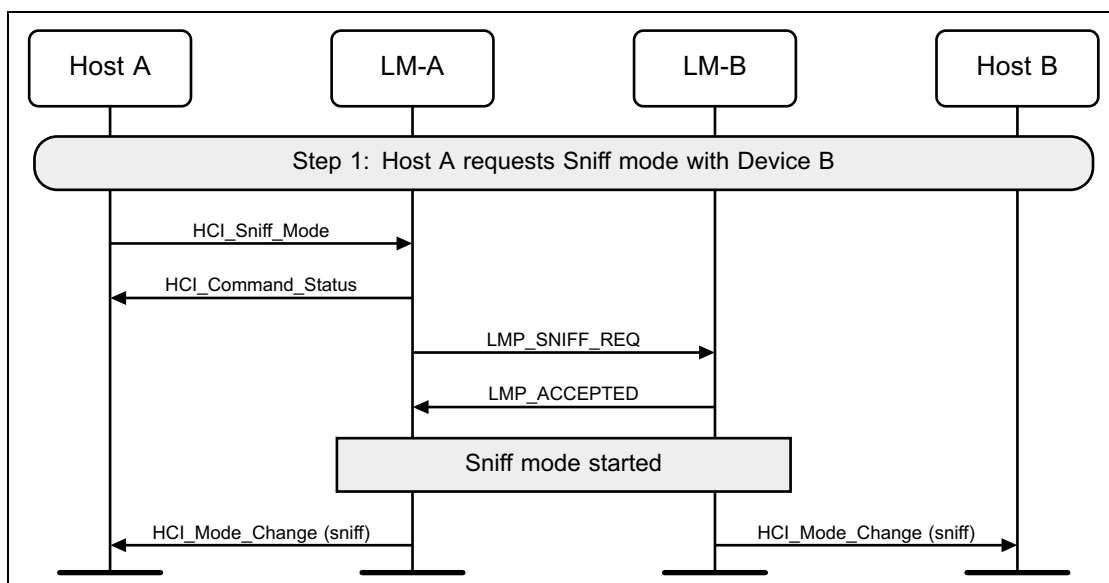


Figure 6.1: Sniff mode request



Step 2: Host requests to exit Sniff mode. (See [Figure 6.2.](#))

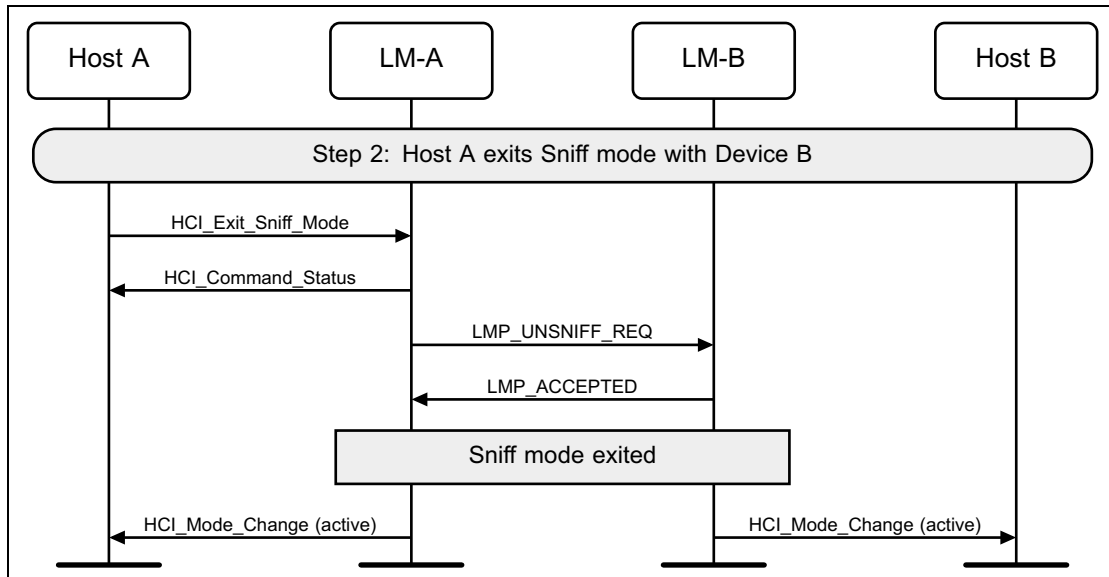


Figure 6.2: Exit Sniff mode request

6.2 HOLD MODE

The HCI_Hold_Mode command can be used to place a device into Hold mode. The Controller may do this by either negotiating the Hold mode parameters or forcing Hold mode. Hold mode will automatically end after the negotiated length of time.

Step 1a: A Host requests Hold mode. (See [Figure 6.3.](#))

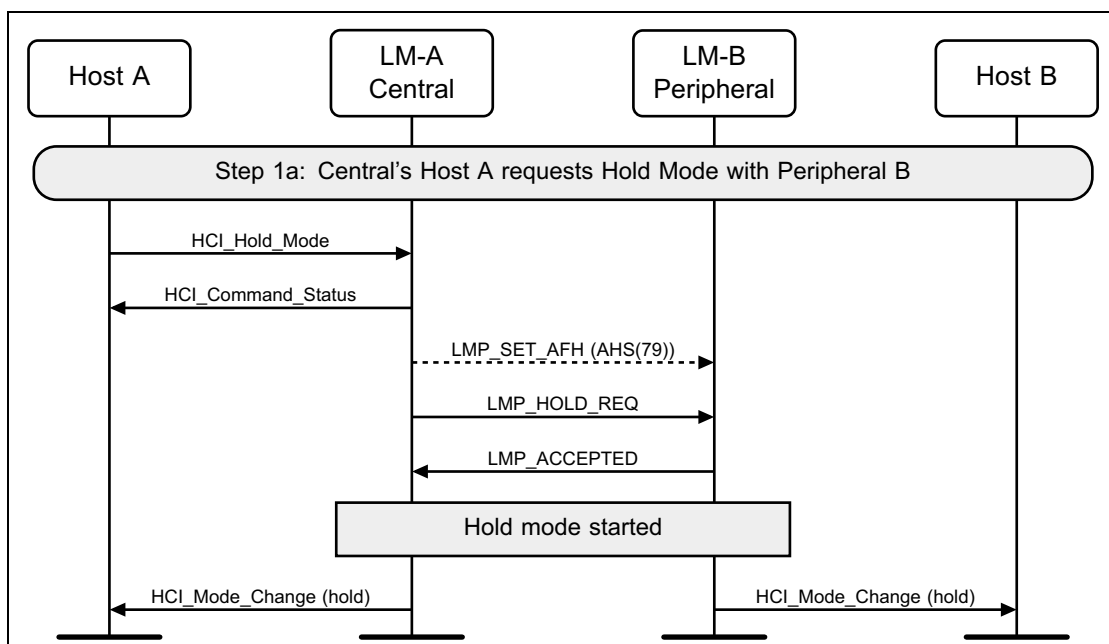


Figure 6.3: Hold request



Step 1b: A Host may force Hold mode. (See [Figure 6.4.](#))

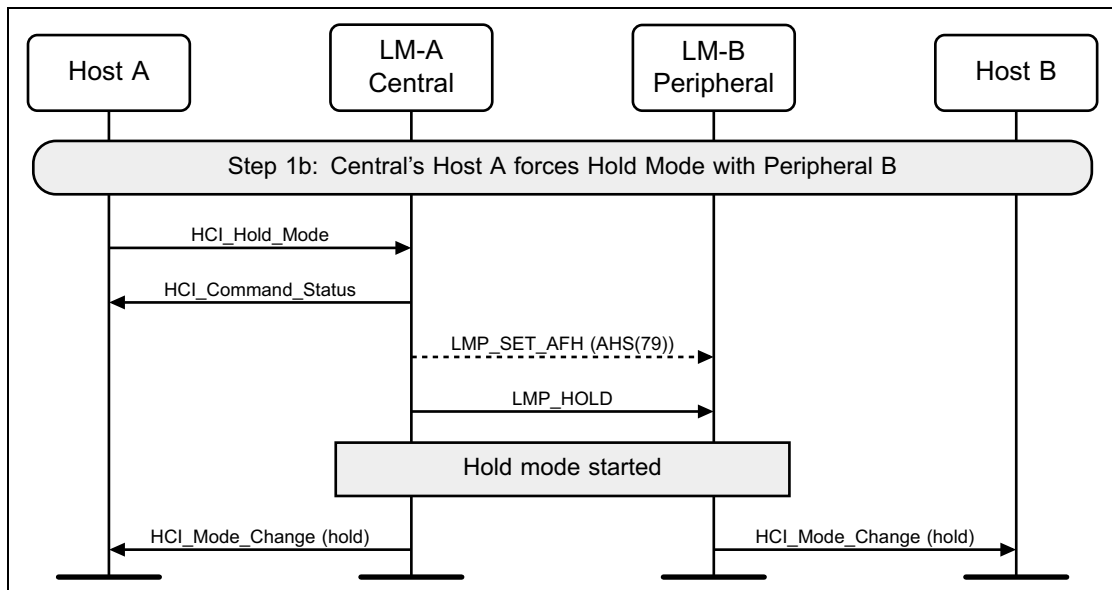


Figure 6.4: Central forces Hold mode

Step 1c: A Peripheral requests Hold mode. (See [Figure 6.5.](#))

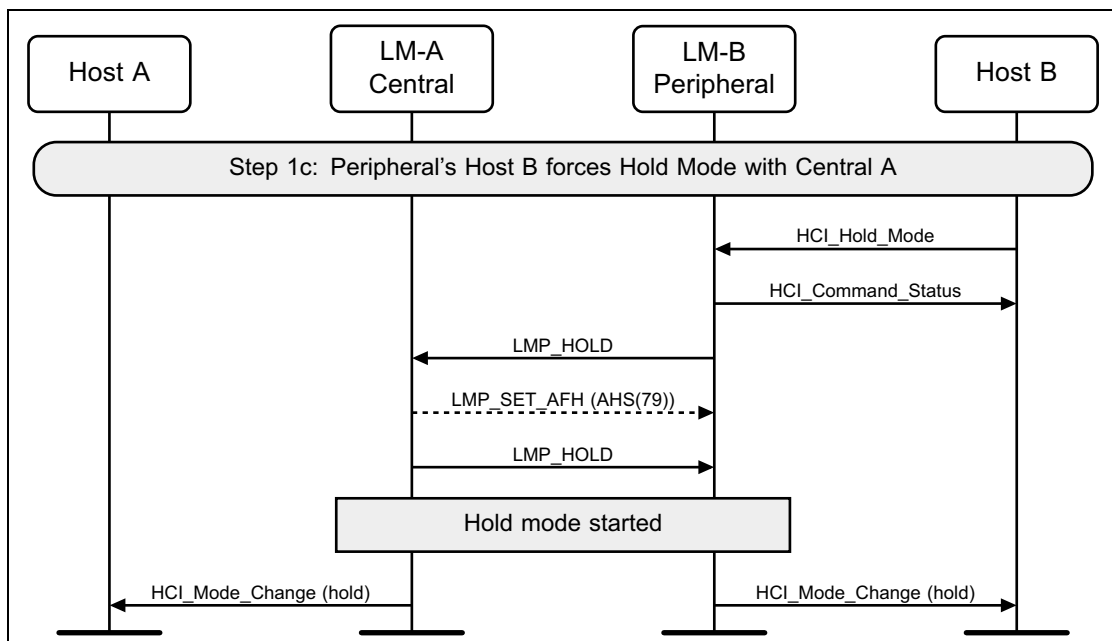


Figure 6.5: Peripheral forces Hold mode



Step 2: When Hold mode completes the Hosts are notified using the HCI_Mode_Change event. (See [Figure 6.6.](#))

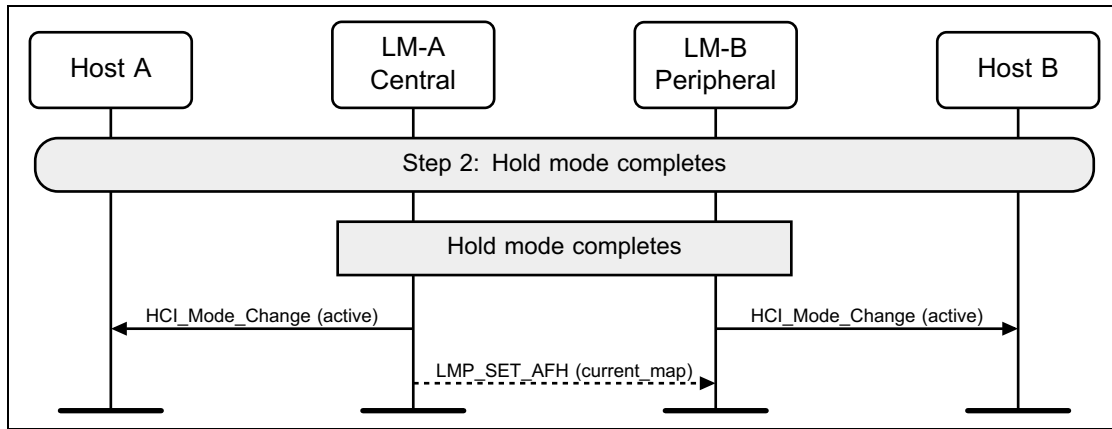


Figure 6.6: Hold mode completes

6.3 [THIS SECTION IS NO LONGER USED]



7 BUFFER MANAGEMENT, FLOW CONTROL

Buffer management is very important for resource limited devices. This can be achieved on the Host Controller interface using the HCI_Read_Buffer_Size command, and the HCI_Number_Of_Completed_Packets event, and the HCI_Set_Controller_To_Host_Flow_Control, HCI_Host_Buffer_Size and HCI_Host_Number_Of_Completed_Packets commands.

Step 1: During initialization, the Host reads the buffer sizes available in the Controller. When an HCI Data packet has been transferred to the remote device, and a Baseband acknowledgment has been received for this data, then an HCI_Number_Of_Completed_Packets event will be generated.
(See [Figure 7.1.](#))

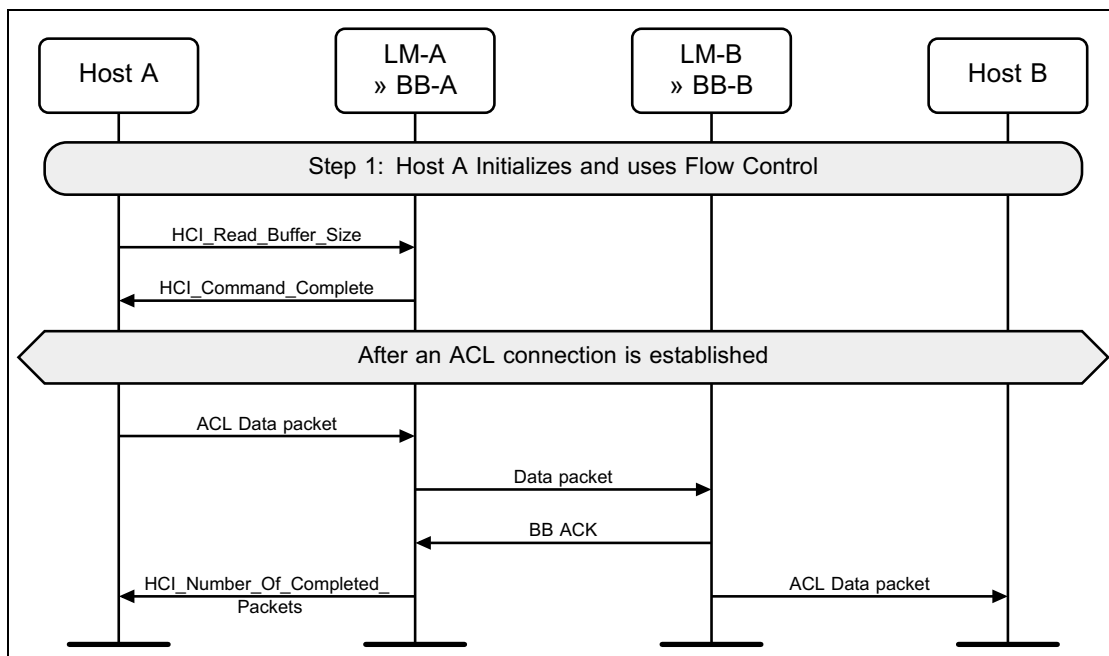


Figure 7.1: Host to Controller flow control



Step 2: During initialization, the Host notifies the Controller that Host flow control shall be used, and then the Host buffer sizes available. When a data packet has been received from a remote device, an HCI Data packet is sent to the Host from the Controller, and the Host shall acknowledge its receipt by sending HCI_Host_Number_Of_Completed_Packets command. (See [Figure 7.2.](#))

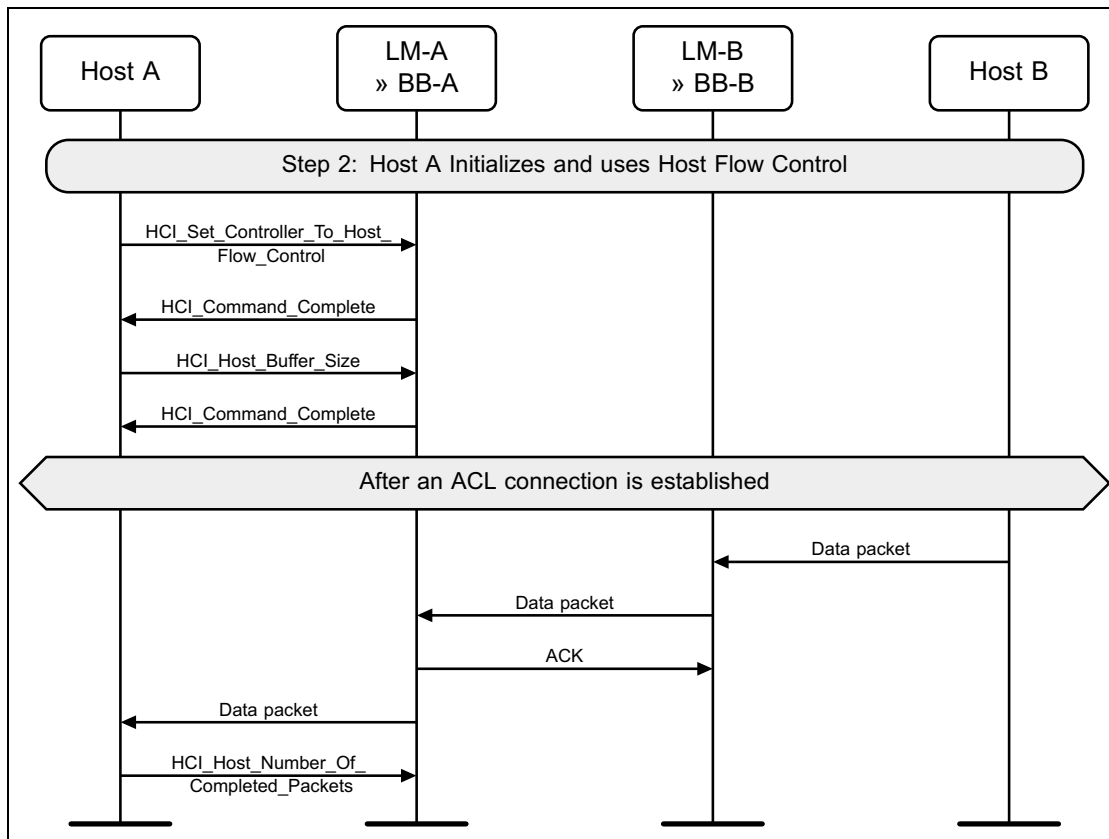


Figure 7.2: Controller to Host flow control



8 LOOPBACK MODE

The loopback modes are used for testing of a device only.

8.1 LOCAL LOOPBACK MODE

The Local Loopback mode is used to loopback received HCI commands, and HCI ACL Data and HCI Synchronous Data packets sent from the Host to the Controller.

Step 1: The Host enters Local Loopback mode. Four HCI_Connection_Complete events are generated and then an HCI_Command_Complete event. (See [Figure 8.1.](#))

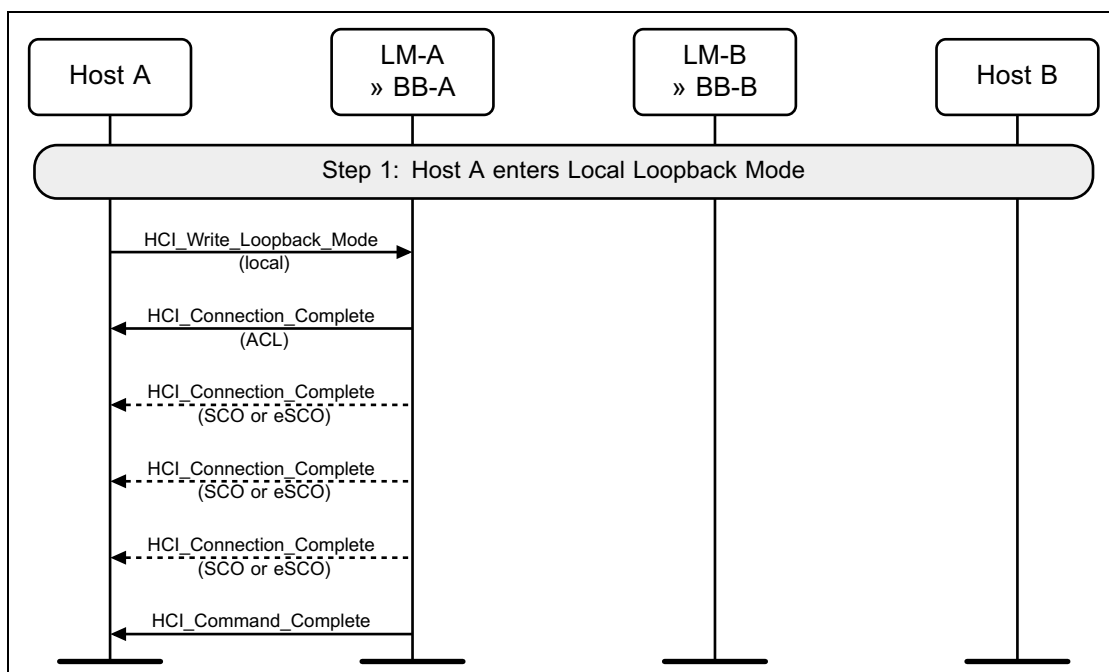


Figure 8.1: Entering Local Loopback mode



Step 2a: The Host sending HCI Data packet will receive the exact same data back in HCI Data packets from the Controller. (See [Figure 8.2.](#))

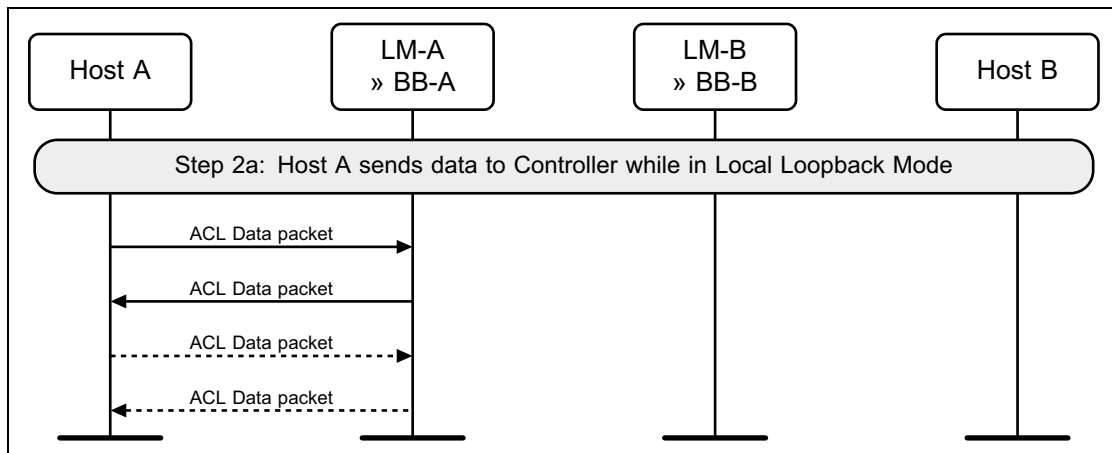


Figure 8.2: Looping back data in Local Loopback mode

Step 2b: The Host sending most HCI Command packets to the Controller will receive an HCI_Loopback_Command event with the contents of the HCI Command packet in the payload. (See [Figure 8.3.](#))

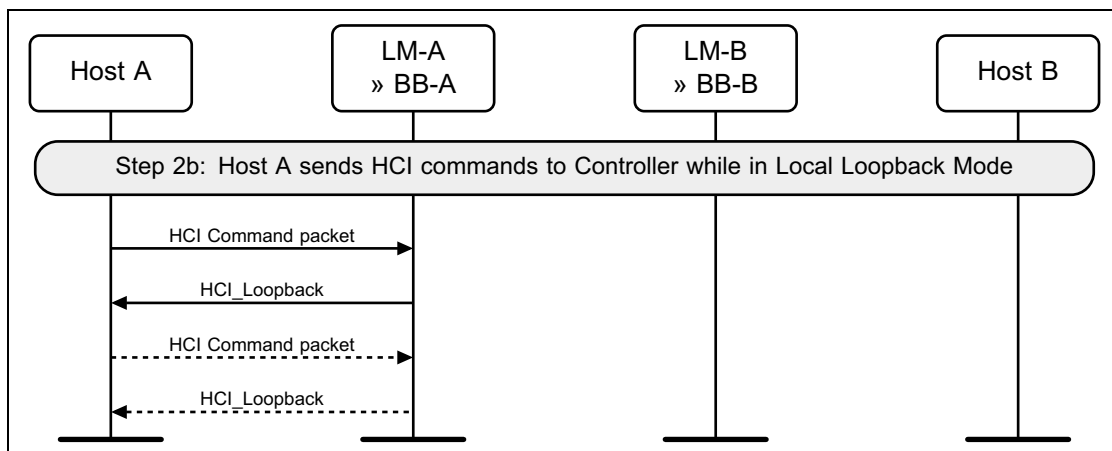


Figure 8.3: Looping back commands in Local Loopback mode



Step 3: The Host exits Local Loopback mode. Multiple HCI_Disconnection_Complete events are generated before the HCI_Command_Complete event. (See [Figure 8.4.](#))

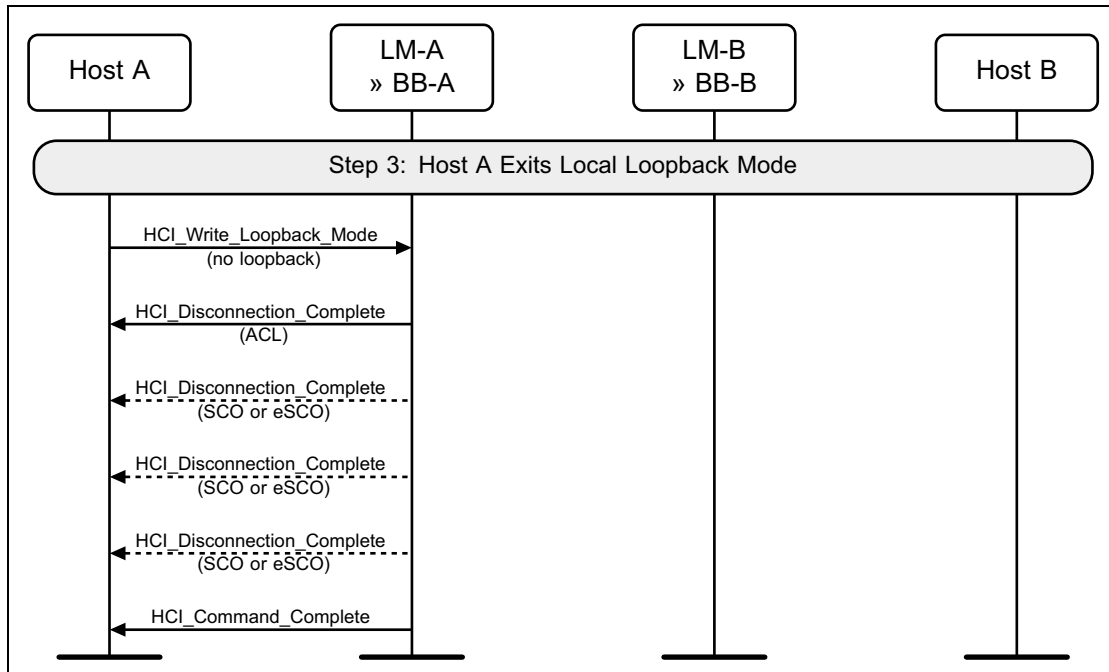


Figure 8.4: Exiting Local Loopback mode

8.2 REMOTE LOOPBACK MODE

The Remote Loopback mode is used to loopback data to a remote device over the air.

Step 1: The local device first enables remote loopback. The remote Host then sets up a connection to the local device. (See [Figure 8.5.](#))

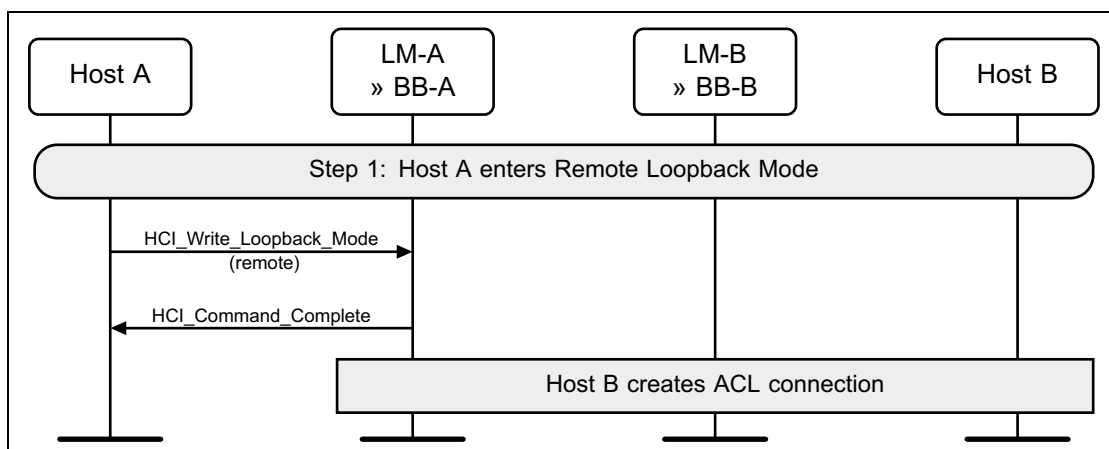


Figure 8.5: Entering Remote Loopback mode



Step 2: Any data received from the remote Host will be looped back in the Controller of the local device. (See [Figure 8.6.](#))

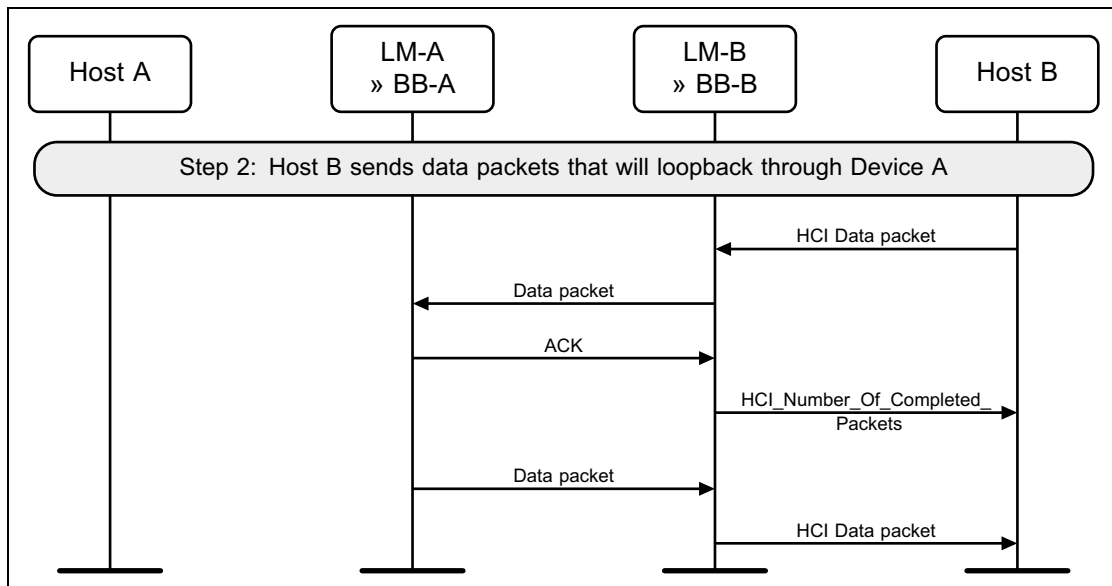


Figure 8.6: Looping back data in Remote Loopback mode

Step 3: The local Host exits Remote Loopback mode. Any connections can then be disconnected by the remote device. (See [Figure 8.7.](#))

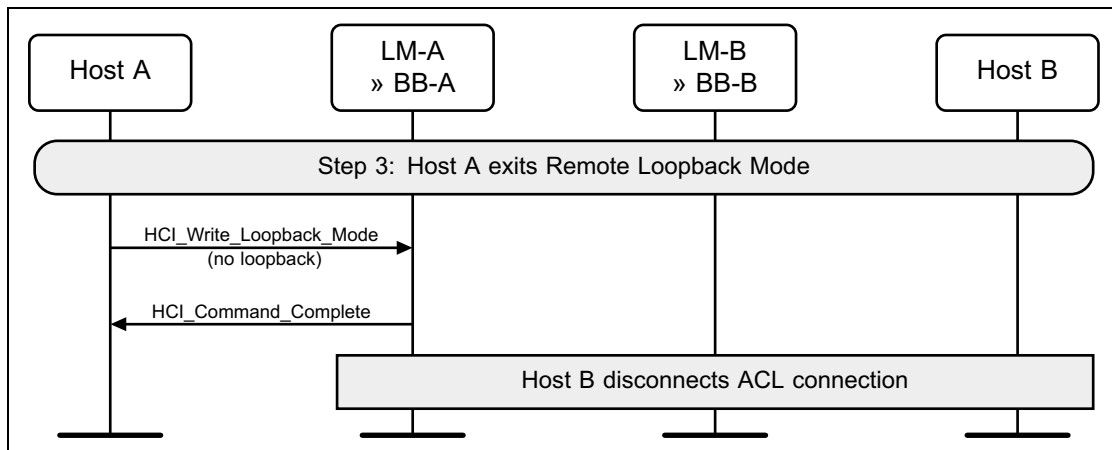


Figure 8.7: Exiting Remote Loopback mode



9 CONNECTIONLESS PERIPHERAL BROADCAST SERVICES

Figure 9.1 illustrates the Truncated Page procedure.

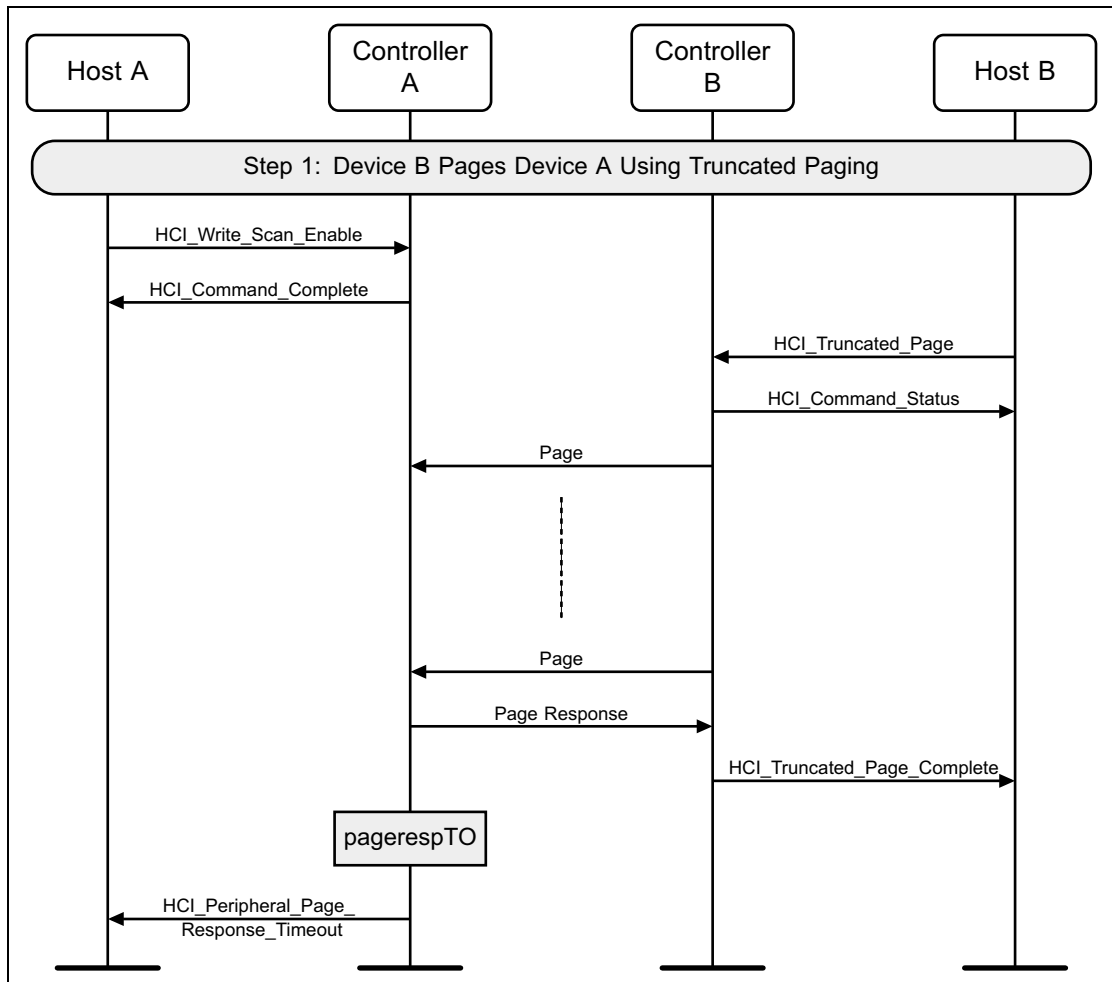


Figure 9.1: Truncated paging



Figure 9.2 illustrates how Device A starts transmitting Connectionless Peripheral Broadcast packets to Device B.

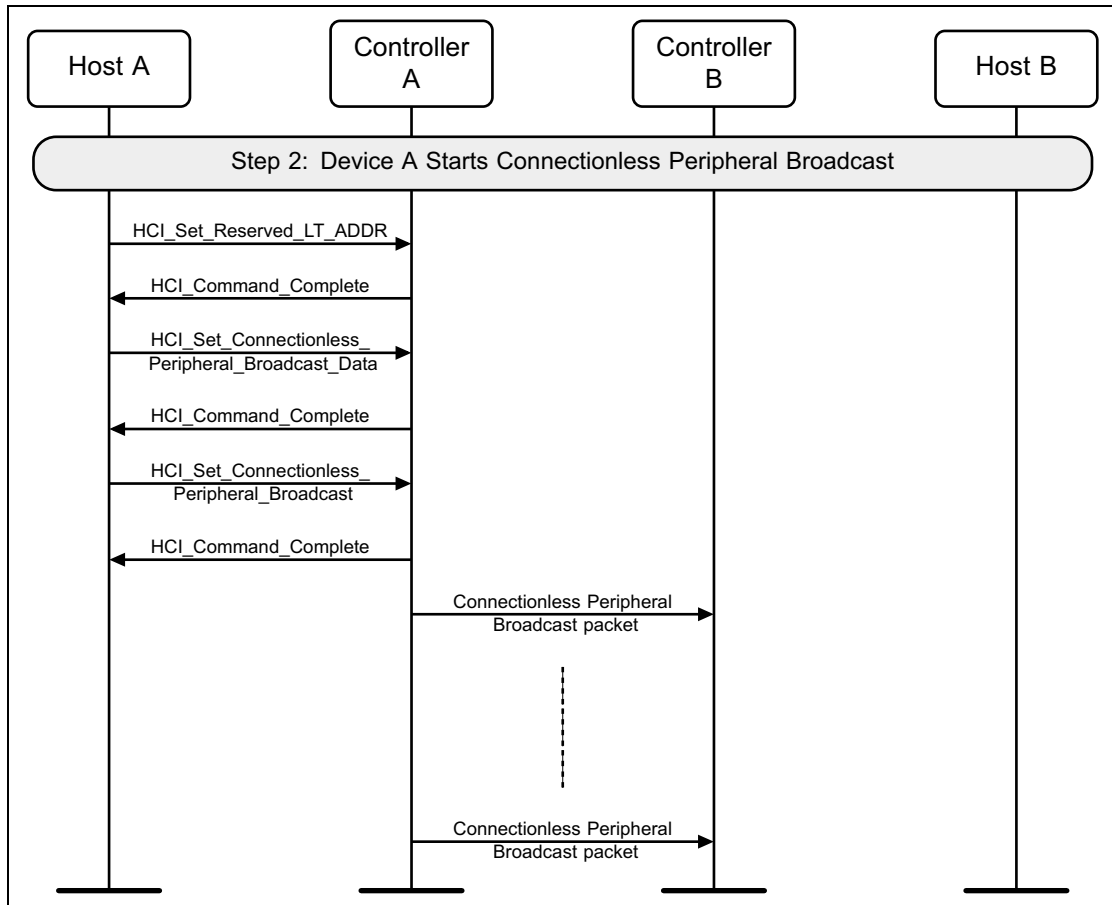


Figure 9.2: Connectionless Peripheral Broadcast transmitter start



Figure 9.3 shows the Synchronization Train feature. Device A is the Connectionless Peripheral Broadcast Transmitter. Device B is the Connectionless Peripheral Broadcast Receiver.

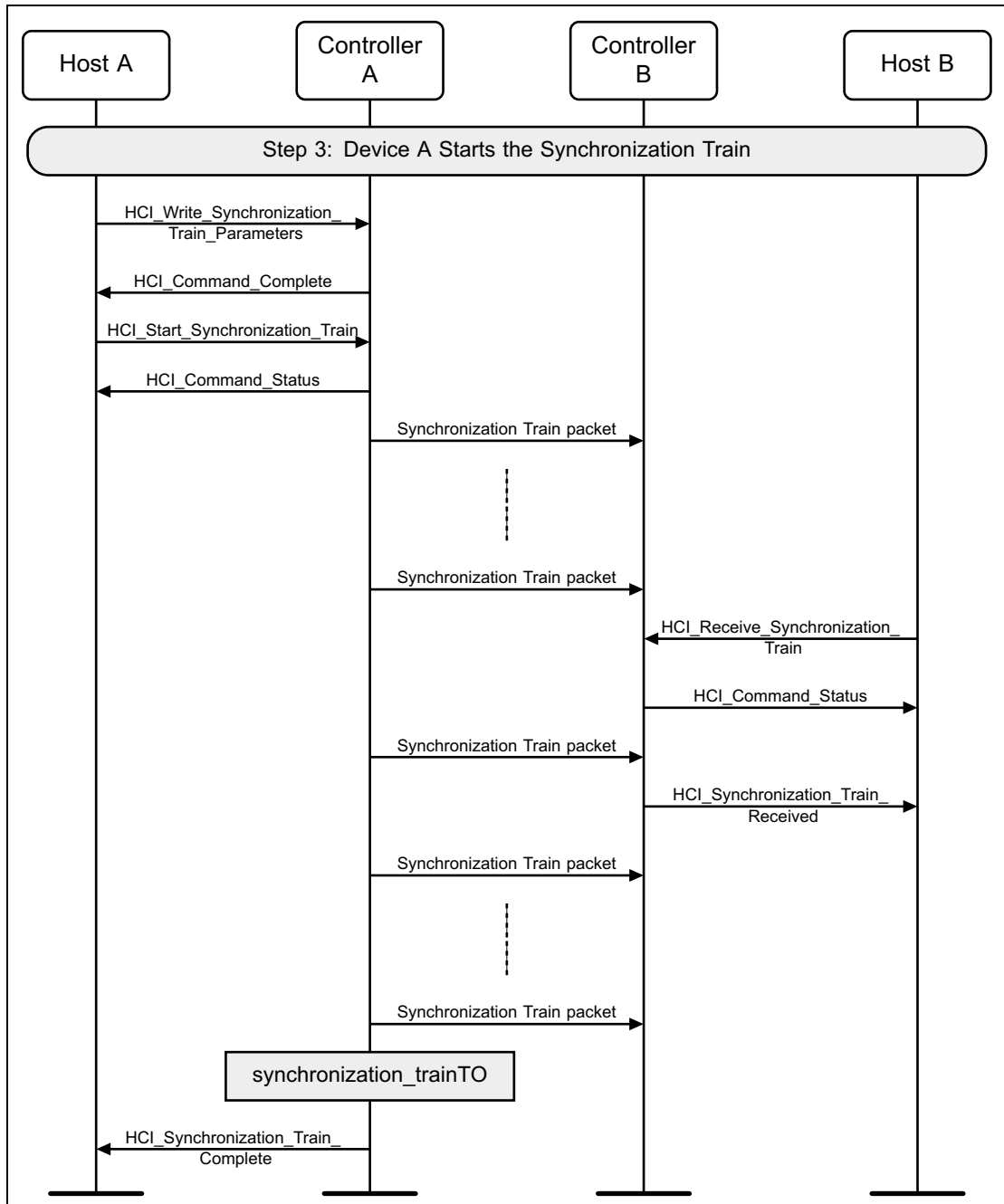


Figure 9.3: Synchronization Train



Figure 9.4 illustrates how Device B starts receiving Connectionless Peripheral Broadcast packets from Device A.

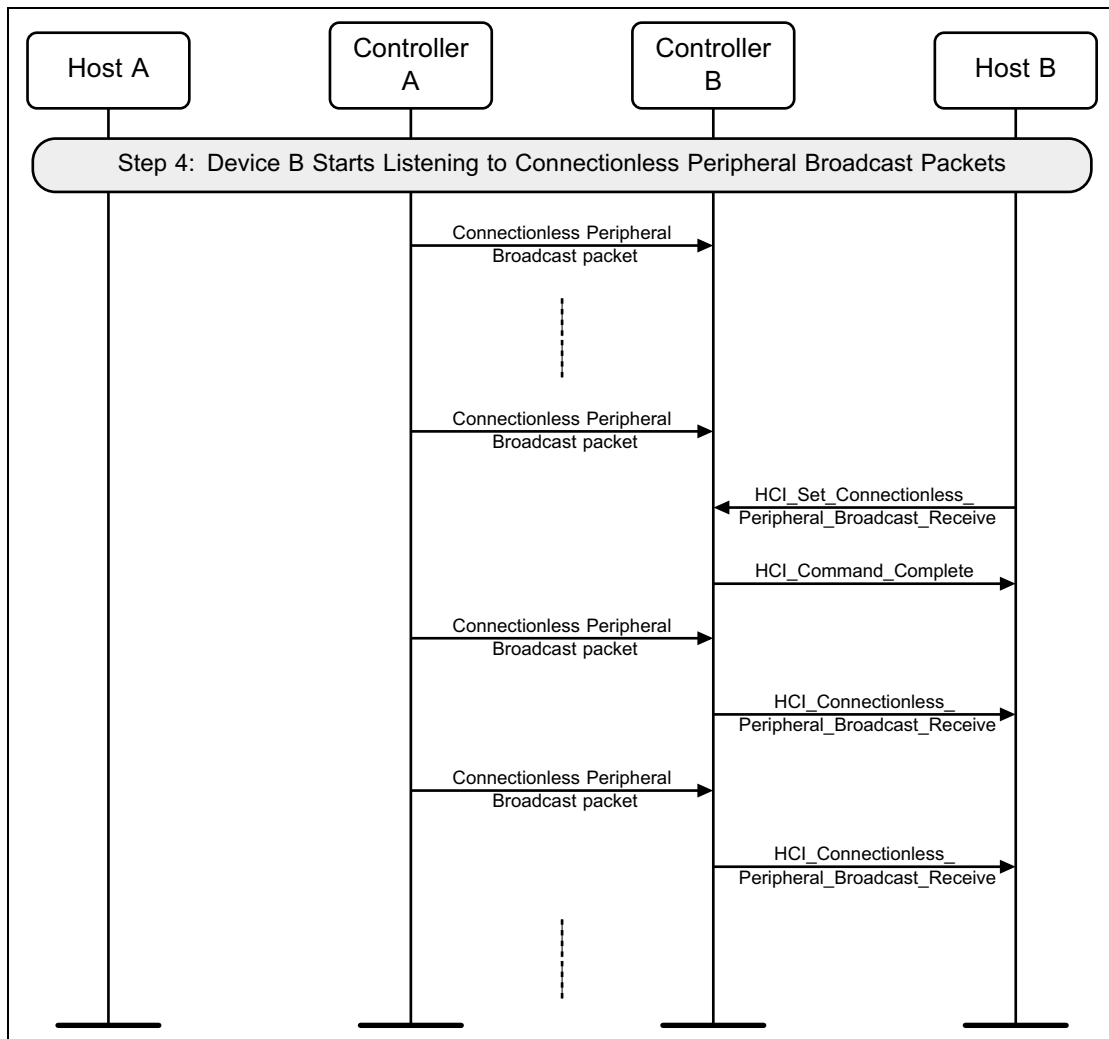


Figure 9.4: Connectionless Peripheral Broadcast receiver start

SAMPLE DATA

Sample data for various parts of the Baseband specification. All sample data are provided for reference purpose only; they are intended as a complement to the definitions provided elsewhere in the specification. They can be used to check the behavior of an implementation and avoid misunderstandings. Fulfilling these sample data is a necessary but not sufficient condition for an implementation to be fully Bluetooth compliant.



CONTENTS

1	Encryption sample data	811
1.1	E0 encryption sample data	811
1.1.1	Generating K_session from K_enc	811
1.1.2	First set of sample data.....	814
1.1.3	Second set of sample data	822
1.1.4	Third set of samples.....	830
1.1.5	Fourth set of samples	838
1.2	AES-CCM encryption sample data	846
1.2.1	Sample data 1 (DM1, Central → Peripheral)	846
1.2.2	Sample data 2 (DM1, Central → Peripheral)	847
1.2.3	Sample data 3 (DM1, Peripheral → Central)	848
1.2.4	Sample data 4 (DM1, Central → Peripheral)	849
1.2.5	Sample data 5 (DM1, Peripheral → Central)	850
1.2.6	Sample data 6 (DH1, Central → Peripheral).....	851
1.2.7	Sample data 7 (DH1, Peripheral → Central).....	852
1.2.8	Sample data 8 (DH1, Central → Peripheral).....	853
1.2.9	Sample data 9 (DH1, Peripheral → Central).....	854
1.2.10	Sample data 10 (2-DH3, Central → Peripheral)	855
1.2.11	Sample data 11 (2-DH3, Peripheral → Central).....	858
1.2.12	Sample data 12 (3-DH5, Central → Peripheral)	861
1.2.13	Sample data 13 (3-DH5, Peripheral → Central)	869
1.2.14	Sample data 14 (EV3).....	877
2	Frequency hopping sample data	878
2.1	First set.....	878
2.2	Second set.....	884
2.3	Third set.....	890
3	Access code sample data	896
4	HEC and packet header sample data	899
5	CRC sample data	900
6	Complete sample packets	901
6.1	Example of DH1 packet.....	901
6.2	Example of DM1 packet	902
7	Secure Simple Pairing sample data	903
7.1	Elliptic curve sample data	903
7.1.1	P-192 sample data.....	903
7.1.1.1	P-192 data set 1	903



7.1.1.2	P-192 data set 2	903
7.1.1.3	P-192 data set 3	903
7.1.1.4	P-192 data set 4	903
7.1.1.5	P-192 data set 5	904
7.1.1.6	P-192 data set 6	904
7.1.1.7	P-192 data set 7	904
7.1.1.8	P-192 data set 8	904
7.1.1.9	P-192 data set 9	904
7.1.1.10	P-192 data set 10	904
7.1.2	P-256 sample data	905
7.1.2.1	P-256 data set 1	905
7.1.2.2	P-256 data set 2	905
7.2	Hash functions sample data	906
7.2.1	f1()	906
7.2.1.1	f1() with P-192 inputs	906
7.2.1.2	f1() with P-256 inputs	907
7.2.2	g()	908
7.2.2.1	g() with P-192 inputs	908
7.2.2.2	g() with P-256 inputs	908
7.2.3	f2()	908
7.2.3.1	f2() with P-192 inputs	908
7.2.3.2	f2() with P-256 inputs	908
7.2.4	f3()	909
7.2.4.1	f3() with P-192 inputs	909
7.2.4.2	f3() with P-256 inputs	916
7.2.5	[This section is no longer used]	916
7.2.6	h4()	916
7.2.7	h5()	916
7.2.8	h3()	916
8	Whitening sequence sample data	917
9	FEC sample data	920
10	Encryption key sample data	921
10.1	Four tests of E1	921
10.2	Four tests of E21	926
10.3	Three tests of E22	929
10.4	Tests of E22 with Pin augmenting	931
10.5	Four tests of E3	941
11	Connectionless Peripheral Broadcast sample data	946



1 ENCRYPTION SAMPLE DATA

1.1 E0 ENCRYPTION SAMPLE DATA

This section contains four sets of sample data for the encryption process.

With respect to the functional description of the encryption engine in the Bluetooth Baseband specification, the contents of registers and resulting concurrent values are listed as well. This by no means excludes different implementations (as far as they produce the same encryption stream) but is intended to describe the functional behavior.

1.1.1 Generating K_{session} from K_{enc}

where $K_{\text{session}}(x) = g2(x)(K_{\text{enc}}(x) \bmod g1(x))$.

Note: All polynomials are in hexadecimal notation.

'L' is the effective key length in bytes.

The notation ' $p: [m]$ ' implies that $\deg(p(x)) = m$.

		MSB	LSB
L = 1			
g1:	[8]	00000000	00000000 00000000 0000011d
g2:	[119]	00e275a0	abd218d4 cf928b9b bf6cb08f
K_enc:		a2b230a4	93f281bb 61a85b82 a9d4a30e
K_enc mod g1:	[7]	00000000	00000000 00000000 0000009f
g2(K_enc mod g1):	[126]	7aa16f39	59836ba3 22049a7b 87f1d8a5

L = 2			
g1:	[16]	00000000	00000000 00000000 0001003f
g2:	[112]	0001e3f6	3d7659b3 7f18c258 cff6efef
K_enc:		64e7df78	bb7ccaa4 61433123 5b3222ad
K_enc mod g1:	[12]	00000000	00000000 00000000 00001ff0
g2(K_enc mod g1):	[124]	142057bb	0bceac4c 58bd142e 1e710a50

L = 3			
g1:	[24]	00000000	00000000 00000000 010000db
g2:	[104]	000001be	f66c6c3a b1030a5a 1919808b
K_enc:		575e5156	ba685dc6 112124ac edb2c179
K_enc mod g1:	[23]	00000000	00000000 00000000 008ddbc8
g2(K_enc mod g1):	[127]	d56d0adb	8216cb39 7fe3c591 1ff95618

L = 4			
g1:	[32]	00000000	00000000 00000001 000000af
g2:	[96]	00000001	6ab89969 de17467f d3736ad9
K_enc:		8917b4fc	403b6db2 1596b86d 1cb8adab
K_enc mod g1:	[31]	00000000	00000000 00000000 aa1e78aa
g2(K_enc mod g1):	[127]	91910128	b0e2f5ed a132a03e af3d8cda

Sample Data



```

L = 5
g1:          [40]          00000000 00000000 00000100 00000039
g2:          [88]          00000000 01630632 91da50ec 55715247
K_enc:       785c915b dd25b9c6 0102ab00 b6cd2a68
K_enc mod g1: [38]          00000000 00000000 0000007f 13d44436
g2(K_enc mod g1): [126]    6fb5651c cb80c8d7 ea1ee56d f1ec5d02
-----

L = 6
g1:          [48]          00000000 00000000 00010000 00000291
g2:          [77]          00000000 00002c93 52aa6cc0 54468311
K_enc:       5e77d19f 55ccd7d5 798f9a32 3b83e5d8
K_enc mod g1: [47]          00000000 00000000 000082eb 4af213ed
g2(K_enc mod g1): [124]    16096bcb afcf8def 1d226a1b 4d3f9a3d
-----

L = 7
g1:          [56]          00000000 00000000 01000000 00000095
g2:          [71]          00000000 000000b3 f7fffc2e 79f3a073
K_enc:       05454e03 8ddcfbe3 ed024b2d 92b7f54c
K_enc mod g1: [55]          00000000 00000000 0095b8a4 8eb816da
g2(K_enc mod g1): [126]    50f9c0d4 e3178da9 4a09fe0d 34f67b0e
-----

L = 8
g1:          [64]          00000000 00000001 00000000 0000001b
g2:          [63]          00000000 00000000 a1ab815b c7ec8025
K_enc:       7ce149fc f4b38ad7 2a5d8a41 eb15ba31
K_enc mod g1: [63]          00000000 00000000 8660806c 1865deec
g2(K_enc mod g1): [126]    532c36d4 5d0954e0 922989b6 826f78dc
-----

L = 9
g1:          [72]          00000000 00000100 00000000 00000609
g2:          [49]          00000000 00000000 0002c980 11d8b04d
K_enc:       5eef7ca 84fc2782 9c051726 3df6f36e
K_enc mod g1: [71]          00000000 00000083 58ccb7d0 b95d3c71
g2(K_enc mod g1): [120]    016313f6 0d3771cf 7f8e4bb9 4aa6827d
-----

L = 10
g1:          [80]          00000000 00010000 00000000 00000215
g2:          [42]          00000000 00000000 0000058e 24f9a4bb
K_enc:       7b13846e 88beb4de 34e7160a fd44dc65
K_enc mod g1: [79]          00000000 0000b4de 34171767 f36981c3
g2(K_enc mod g1): [121]    023bc1ec 34a0029e f798dcfb 618ba58d
-----

L = 11
g1:          [88]          00000000 01000000 00000000 0000013b
g2:          [35]          00000000 00000000 0000000c a76024d7
K_enc:       bda6de6c 6e7d757e 8dfe2d49 9a181193
K_enc mod g1: [86]          00000000 007d757e 8dfe88aa 2fcee371
g2(K_enc mod g1): [121]    022e08a9 3aa51d8d 2f93fa78 85cc1f87
-----

```

Sample Data



```

L = 12
g1:          [96]          00000001 00000000 00000000 000000dd
g2:          [28]          00000000 00000000 00000000 1c9c26b9
K_enc:       e6483b1c 2cdb1040 9a658f97 c4efd90d
K_enc mod g1: [93]          00000000 2cdb1040 9a658fd7 5b562e41
g2(K_enc mod g1): [121]     030d752b 216fe29b b880275c d7e6f6f9
-----

L = 13
g1:          [104]         00000100 00000000 00000000 0000049d
g2:          [21]          00000000 00000000 00000000 0026d9e3
K_enc:       d79d281d a2266847 6b223c46 dc0ab9ee
K_enc mod g1: [100]        0000001d a2266847 6b223c45 e1fc5fa6
g2(K_enc mod g1): [121]     03f11138 9cebf919 00b93808 4ac158aa
-----

L = 14
g1:          [112]         00010000 00000000 00000000 0000014f
g2:          [14]          00000000 00000000 00000000 00004377
K_enc:       cad9a65b 9fca1c1d a2320fcf 7c4ae48e
K_enc mod g1: [111]        0000a65b 9fca1c1d a2320fcf 7cb6a909
g2(K_enc mod g1): [125]     284840fd f1305f3c 529f5703 76adf7cf
-----

L = 15
g1:          [120]         01000000 00000000 00000000 000000e7
g2:          [7]           00000000 00000000 00000000 00000089
K_enc:       21f0cc31 049b7163 d375e9e1 06029809
K_enc mod g1: [119]        00f0cc31 049b7163 d375e9e1 0602840e
g2(K_enc mod g1): [126]     7f10b53b 6df84b94 f22e566a 3754a37e
-----

L = 16
g1:          [128]         1 00000000 00000000 00000000 00000000
g2:          [0]           00000000 00000000 00000000 00000001
K_enc:       35ec8fc3 d50ccd32 5f2fd907 bde206de
K_enc mod g1: [125]        35ec8fc3 d50ccd32 5f2fd907 bde206de
g2(K_enc mod g1): [125]     35ec8fc3 d50ccd32 5f2fd907 bde206de
-----
    
```

Sample Data



1.1.2 First set of sample data

In Section 1.1.2 to Section 1.1.5 the notation $X[j]$ means the j th octet of X rather than the j th bit of X , counting from the LSB.

Initial values for the key, BD_ADDR and clock

```
K_session[0] = 00 K_session[1] = 00 K_session[2] = 00 K_session[3] = 00
K_session[4] = 00 K_session[5] = 00 K_session[6] = 00 K_session[7] = 00
K_session[8] = 00 K_session[9] = 00 K_session[10] = 00 K_session[11] = 00
K_session[12] = 00 K_session[13] = 00 K_session[14] = 00 K_session[15] = 00
```

```
BD_ADDR_C[0] = 00 BD_ADDR_C[1] = 00 BD_ADDR_C[2] = 00
BD_ADDR_C[3] = 00 BD_ADDR_C[4] = 00 BD_ADDR_C[5] = 00
```

```
CL[0] = 00 CL[1] = 00 CL[2] = 00 CL[3] = 00
```

The corresponding values of CLK are 0x000_0000 and 0x800_0000.

```
=====
Fill LFSRs with initial data
=====
```

t	clk#	LFSR1	LFSR2	LFSR3	LFSR4	X1	X2	X3	X4	Z	C[t+1]	C[t]	C[t-1]
0	0	0000000*	00000000*	000000000*	0000000000*	0	0	0	0	0	00	00	00
1	1	0000000*	00000001*	000000000*	0000000001*	0	0	0	0	0	00	00	00
2	2	0000000*	00000002*	000000000*	0000000003*	0	0	0	0	0	00	00	00
3	3	0000000*	00000004*	000000000*	0000000007*	0	0	0	0	0	00	00	00
4	4	0000000*	00000008*	000000000*	000000000E*	0	0	0	0	0	00	00	00
5	5	0000000*	00000010*	000000000*	000000001C*	0	0	0	0	0	00	00	00
6	6	0000000*	00000020*	000000000*	0000000038*	0	0	0	0	0	00	00	00
7	7	0000000*	00000040*	000000000*	0000000070*	0	0	0	0	0	00	00	00
8	8	0000000*	00000080*	000000000*	00000000E0*	0	0	0	0	0	00	00	00
9	9	0000000*	00000100*	000000000*	00000001C0*	0	0	0	0	0	00	00	00
10	10	0000000*	00000200*	000000000*	0000000380*	0	0	0	0	0	00	00	00
11	11	0000000*	00000400*	000000000*	0000000700*	0	0	0	0	0	00	00	00
12	12	0000000*	00000800*	000000000*	0000000E00*	0	0	0	0	0	00	00	00
13	13	0000000*	00001000*	000000000*	0000001C00*	0	0	0	0	0	00	00	00
14	14	0000000*	00002000*	000000000*	0000003800*	0	0	0	0	0	00	00	00
15	15	0000000*	00004000*	000000000*	0000007000*	0	0	0	0	0	00	00	00
16	16	0000000*	00008000*	000000000*	000000E000*	0	0	0	0	0	00	00	00
17	17	0000000*	00010000*	000000000*	000001C000*	0	0	0	0	0	00	00	00
18	18	0000000*	00020000*	000000000*	0000038000*	0	0	0	0	0	00	00	00
19	19	0000000*	00040000*	000000000*	0000070000*	0	0	0	0	0	00	00	00
20	20	0000000*	00080000*	000000000*	00000E0000*	0	0	0	0	0	00	00	00
21	21	0000000*	00100000*	000000000*	00001C0000*	0	0	0	0	0	00	00	00
22	22	0000000*	00200000*	000000000*	0000380000*	0	0	0	0	0	00	00	00
23	23	0000000*	00400000*	000000000*	0000700000*	0	0	0	0	0	00	00	00
24	24	0000000*	00800000*	000000000*	0000E00000*	0	1	0	0	1	00	00	00
25	25	0000000*	01000000*	000000000*	0001C00000*	0	0	0	0	0	00	00	00
26	26	0000000	02000000*	000000000*	0003800000*	0	0	0	0	0	00	00	00
27	27	0000000	04000000*	000000000*	0007000000*	0	0	0	0	0	00	00	00

Sample Data



28	28	0000000	08000000*	000000000*	000E000000*	0	0	0	0	0	00	00	00
29	29	0000000	10000000*	000000000*	001C000000*	0	0	0	0	0	00	00	00
30	30	0000000	20000000*	000000000*	0038000000*	0	0	0	0	0	00	00	00
31	31	0000000	40000000*	000000000*	0070000000*	0	0	0	0	0	00	00	00
32	32	0000000	00000001	000000000*	00E0000000*	0	0	0	1	1	00	00	00
33	33	0000000	00000002	000000000*	01C0000000*	0	0	0	1	1	00	00	00
34	34	0000000	00000004	000000000	0380000000*	0	0	0	1	1	00	00	00
35	35	0000000	00000008	000000000	0700000000*	0	0	0	0	0	00	00	00
36	36	0000000	00000010	000000000	0E00000000*	0	0	0	0	0	00	00	00
37	37	0000000	00000020	000000000	1C00000000*	0	0	0	0	0	00	00	00
38	38	0000000	00000040	000000000	3800000000*	0	0	0	0	0	00	00	00
39	39	0000000	00000080	000000000	7000000000*	0	0	0	0	0	00	00	00

 Start clocking Summation Combiner

40	1	0000000	00000100	000000000	6000000001	0	0	0	0	0	00	00	00
41	2	0000000	00000200	000000000	4000000003	0	0	0	0	0	00	00	00
42	3	0000000	00000400	000000000	0000000007	0	0	0	0	0	00	00	00
43	4	0000000	00000800	000000000	000000000E	0	0	0	0	0	00	00	00
44	5	0000000	00001001	000000000	000000001D	0	0	0	0	0	00	00	00
45	6	0000000	00002002	000000000	000000003B	0	0	0	0	0	00	00	00
46	7	0000000	00004004	000000000	0000000077	0	0	0	0	0	00	00	00
47	8	0000000	00008008	000000000	00000000EE	0	0	0	0	0	00	00	00
48	9	0000000	00010011	000000000	00000001DD	0	0	0	0	0	00	00	00
49	10	0000000	00020022	000000000	00000003BB	0	0	0	0	0	00	00	00
50	11	0000000	00040044	000000000	0000000777	0	0	0	0	0	00	00	00
51	12	0000000	00080088	000000000	0000000EEE	0	0	0	0	0	00	00	00
52	13	0000000	00100110	000000000	0000001DDD	0	0	0	0	0	00	00	00
53	14	0000000	00200220	000000000	0000003BBB	0	0	0	0	0	00	00	00
54	15	0000000	00400440	000000000	0000007777	0	0	0	0	0	00	00	00
55	16	0000000	00800880	000000000	000000EEEE	0	1	0	0	1	00	00	00
56	17	0000000	01001100	000000000	000001DDDD	0	0	0	0	0	00	00	00
57	18	0000000	02002200	000000000	000003BBBB	0	0	0	0	0	00	00	00
58	19	0000000	04004400	000000000	0000077777	0	0	0	0	0	00	00	00
59	20	0000000	08008800	000000000	00000EEEE	0	0	0	0	0	00	00	00
60	21	0000000	10011000	000000000	00001DDDDD	0	0	0	0	0	00	00	00
61	22	0000000	20022000	000000000	00003BBBBB	0	0	0	0	0	00	00	00
62	23	0000000	40044000	000000000	0000777777	0	0	0	0	0	00	00	00
63	24	0000000	00088001	000000000	0000EEEEEE	0	0	0	0	0	00	00	00
64	25	0000000	00110003	000000000	0001DDDDDD	0	0	0	0	0	00	00	00
65	26	0000000	00220006	000000000	0003BBBBBB	0	0	0	0	0	00	00	00
66	27	0000000	0044000C	000000000	0007777777	0	0	0	0	0	00	00	00
67	28	0000000	00880018	000000000	000EEEEEEE	0	1	0	0	1	00	00	00
68	29	0000000	01100031	000000000	001DDDDDDC	0	0	0	0	0	00	00	00
69	30	0000000	02200062	000000000	003BBBBBB8	0	0	0	0	0	00	00	00
70	31	0000000	044000C4	000000000	0077777770	0	0	0	0	0	00	00	00
71	32	0000000	08800188	000000000	00EEEEEEE0	0	1	0	1	0	01	00	00
72	33	0000000	11000311	000000000	01DDDDDDC1	0	0	0	1	0	00	01	00
73	34	0000000	22000622	000000000	03BBBBBB83	0	0	0	1	1	11	00	01
74	35	0000000	44000C44	000000000	0777777707	0	0	0	0	1	10	11	00
75	36	0000000	08001888	000000000	0EEEEEEE0E	0	0	0	1	1	01	10	11
76	37	0000000	10003111	000000000	1DDDDDDC1D	0	0	0	1	0	01	01	10
77	38	0000000	20006222	000000000	3BBBBBB83B	0	0	0	1	0	11	01	01
78	39	0000000	4000C444	000000000	7777777077	0	0	0	0	1	01	11	01
79	40	0000000	00018888	000000000	6EEEEEEE0EF	0	0	0	1	0	10	01	11
80	41	0000000	00031110	000000000	5DDDDDC1DE	0	0	0	1	1	00	10	01
81	42	0000000	00062220	000000000	3BBBBB83BC	0	0	0	1	1	01	00	10

Sample Data



82	43	0000000	000C4440	000000000	7777770779	0	0	0	0	1	01	01	00
83	44	0000000	00188880	000000000	6EEEE0EF2	0	0	0	1	0	11	01	01
84	45	0000000	00311100	000000000	5DDDC1DE5	0	0	0	1	0	10	11	01
85	46	0000000	00622200	000000000	3BBB83BCB	0	0	0	1	1	01	10	11
86	47	0000000	00C44400	000000000	7777707797	0	1	0	0	0	01	01	10
87	48	0000000	01888801	000000000	6EEEE0EF2F	0	1	0	1	1	11	01	01
88	49	0000000	03111003	000000000	5DDDC1DE5E	0	0	0	1	0	10	11	01
89	50	0000000	06222006	000000000	3BBB83BCBC	0	0	0	1	1	01	10	11
90	51	0000000	0C44400C	000000000	77777077979	0	0	0	0	1	00	01	10
91	52	0000000	18888018	000000000	6EEE0EF2F2	0	1	0	1	0	10	00	01
92	53	0000000	31110030	000000000	5DDC1DE5E5	0	0	0	1	1	11	10	00
93	54	0000000	62220060	000000000	3BB83BCBCB	0	0	0	1	0	00	11	10
94	55	0000000	444400C1	000000000	7770779797	0	0	0	0	0	10	00	11
95	56	0000000	08880183	000000000	6EE0EF2F2F	0	1	0	1	0	00	10	00
96	57	0000000	11100307	000000000	5DC1DE5E5F	0	0	0	1	1	01	00	10
97	58	0000000	2220060E	000000000	3B83BCBCBF	0	0	0	1	0	00	01	00
98	59	0000000	44400C1C	000000000	770779797E	0	0	0	0	0	11	00	01
99	60	0000000	08801838	000000000	6E0EF2F2FC	0	1	0	0	0	01	11	00
100	61	0000000	11003070	000000000	5C1DE5E5F8	0	0	0	0	1	11	01	11
101	62	0000000	220060E0	000000000	383BCBCBF0	0	0	0	0	1	01	11	01
102	63	0000000	4400C1C0	000000000	70779797E0	0	0	0	0	1	11	01	11
103	64	0000000	08018380	000000000	60EF2F2FC1	0	0	0	1	0	10	11	01
104	65	0000000	10030701	000000000	41DE5E5F82	0	0	0	1	1	01	10	11
105	66	0000000	20060E02	000000000	03BCBCBF04	0	0	0	1	0	01	01	10
106	67	0000000	400C1C05	000000000	0779797E09	0	0	0	0	1	10	01	01
107	68	0000000	0018380A	000000000	0EF2F2FC12	0	0	0	1	1	00	10	01
108	69	0000000	00307015	000000000	1DE5E5F825	0	0	0	1	1	01	00	10
109	70	0000000	0060E02A	000000000	3BCBCBF04B	0	0	0	1	0	00	01	00
110	71	0000000	00C1C055	000000000	779797E097	0	1	0	1	0	10	00	01
111	72	0000000	018380AA	000000000	6F2F2FC12F	0	1	0	0	1	11	10	00
112	73	0000000	03070154	000000000	5E5E5F825E	0	0	0	0	1	11	11	10
113	74	0000000	060E02A8	000000000	3CBCBF04BC	0	0	0	1	0	11	11	11
114	75	0000000	0C1C0550	000000000	79797E0979	0	0	0	0	1	00	11	11
115	76	0000000	18380AA0	000000000	72F2FC12F2	0	0	0	1	1	10	00	11
116	77	0000000	30701541	000000000	65E5F825E5	0	0	0	1	1	11	10	00
117	78	0000000	60E02A82	000000000	4BCBF04BCB	0	1	0	1	1	00	11	10
118	79	0000000	41C05505	000000000	1797E09796	0	1	0	1	0	11	00	11
119	80	0000000	0380AA0A	000000000	2F2FC12F2C	0	1	0	0	0	01	11	00
120	81	0000000	07015415	000000000	5E5F825E59	0	0	0	0	1	11	01	11
121	82	0000000	0E02A82A	000000000	3CBF04BCB2	0	0	0	1	0	10	11	01
122	83	0000000	1C055054	000000000	797E097964	0	0	0	0	0	01	10	11
123	84	0000000	380AA0A8	000000000	72FC12F2C9	0	0	0	1	0	01	01	10
124	85	0000000	70154151	000000000	65F825E593	0	0	0	1	0	11	01	01
125	86	0000000	602A82A3	000000000	4BF04BCB26	0	0	0	1	0	10	11	01
126	87	0000000	40550546	000000000	17E097964C	0	0	0	1	1	01	10	11
127	88	0000000	00AA0A8D	000000000	2FC12F2C99	0	1	0	1	1	01	01	10
128	89	0000000	0154151A	000000000	5F825E5932	0	0	0	1	0	11	01	01
129	90	0000000	02A82A34	000000000	3F04BCB264	0	1	0	0	0	10	11	01
130	91	0000000	05505468	000000000	7E097964C9	0	0	0	0	0	01	10	11
131	92	0000000	0AA0A8D0	000000000	7C12F2C992	0	1	0	0	0	01	01	10
132	93	0000000	154151A1	000000000	7825E59324	0	0	0	0	1	10	01	01
133	94	0000000	2A82A342	000000000	704BCB2648	0	1	0	0	1	00	10	01
134	95	0000000	55054684	000000000	6097964C91	0	0	0	1	1	01	00	10
135	96	0000000	2A0A8D09	000000000	412F2C9923	0	0	0	0	1	01	01	00
136	97	0000000	54151A12	000000000	025E593246	0	0	0	0	1	10	01	01
137	98	0000000	282A3424	000000000	04BCB2648D	0	0	0	1	1	00	10	01
138	99	0000000	50546848	000000000	097964C91A	0	0	0	0	0	01	00	10

Sample Data



139	100	0000000	20A8D090	000000000	12F2C99235	0	1	0	1	1	00	01	00
140	101	0000000	4151A120	000000000	25E593246A	0	0	0	1	1	11	00	01
141	102	0000000	02A34240	000000000	4BCB2648D5	0	1	0	1	1	01	11	00
142	103	0000000	05468481	000000000	17964C91AB	0	0	0	1	0	10	01	11
143	104	0000000	0A8D0903	000000000	2F2C992357	0	1	0	0	1	00	10	01
144	105	0000000	151A1206	000000000	5E593246AE	0	0	0	0	0	01	00	10
145	106	0000000	2A34240C	000000000	3CB2648D5C	0	0	0	1	0	00	01	00
146	107	0000000	54684818	000000000	7964C91AB8	0	0	0	0	0	11	00	01
147	108	0000000	28D09030	000000000	72C9923571	0	1	0	1	1	01	11	00
148	109	0000000	51A12060	000000000	6593246AE2	0	1	0	1	1	10	01	11
149	110	0000000	234240C0	000000000	4B2648D5C5	0	0	0	0	0	00	10	01
150	111	0000000	46848180	000000000	164C91AB8A	0	1	0	0	1	01	00	10
151	112	0000000	0D090301	000000000	2C99235714	0	0	0	1	0	00	01	00
152	113	0000000	1A120602	000000000	593246AE28	0	0	0	0	0	11	00	01
153	114	0000000	34240C04	000000000	32648D5C51	0	0	0	0	1	10	11	00
154	115	0000000	68481809	000000000	64C91AB8A2	0	0	0	1	1	01	10	11
155	116	0000000	50903012	000000000	4992357144	0	1	0	1	1	01	01	10
156	117	0000000	21206024	000000000	13246AE288	0	0	0	0	1	10	01	01
157	118	0000000	4240C048	000000000	2648D5C511	0	0	0	0	0	00	10	01
158	119	0000000	04818090	000000000	4C91AB8A23	0	1	0	1	0	00	00	10
159	120	0000000	09030120	000000000	1923571446	0	0	0	0	0	00	00	00
160	121	0000000	12060240	000000000	3246AE288D	0	0	0	0	0	00	00	00
161	122	0000000	240C0480	000000000	648D5C511B	0	0	0	1	1	00	00	00
162	123	0000000	48180900	000000000	491AB8A237	0	0	0	0	0	00	00	00
163	124	0000000	10301200	000000000	123571446F	0	0	0	0	0	00	00	00
164	125	0000000	20602400	000000000	246AE288DF	0	0	0	0	0	00	00	00
165	126	0000000	40C04800	000000000	48D5C511BE	0	1	0	1	0	01	00	00
166	127	0000000	01809001	000000000	11AB8A237D	0	1	0	1	1	00	01	00
167	128	0000000	03012002	000000000	23571446FA	0	0	0	0	0	11	00	01
168	129	0000000	06024004	000000000	46AE288DF5	0	0	0	1	0	01	11	00
169	130	0000000	0C048008	000000000	0D5C511BEA	0	0	0	0	1	11	01	11
170	131	0000000	18090011	000000000	1AB8A237D5	0	0	0	1	0	10	11	01
171	132	0000000	30120022	000000000	3571446FAA	0	0	0	0	0	01	10	11
172	133	0000000	60240044	000000000	6AE288DF55	0	0	0	1	0	01	01	10
173	134	0000000	40480089	000000000	55C511BEAA	0	0	0	1	0	11	01	01
174	135	0000000	00900113	000000000	2B8A237D54	0	1	0	1	1	10	11	01
175	136	0000000	01200227	000000000	571446FAA8	0	0	0	0	0	01	10	11
176	137	0000000	0240044E	000000000	2E288DF550	0	0	0	0	1	00	01	10
177	138	0000000	0480089C	000000000	5C511BEAA0	0	1	0	0	1	11	00	01
178	139	0000000	09001138	000000000	38A237D540	0	0	0	1	0	01	11	00
179	140	0000000	12002270	000000000	71446FAA81	0	0	0	0	1	11	01	11
180	141	0000000	240044E0	000000000	6288DF5503	0	0	0	1	0	10	11	01
181	142	0000000	480089C0	000000000	4511BEAA06	0	0	0	0	0	01	10	11
182	143	0000000	10011381	000000000	0A237D540D	0	0	0	0	1	00	01	10
183	144	0000000	20022702	000000000	1446FAA81A	0	0	0	0	0	11	00	01
184	145	0000000	40044E04	000000000	288DF55035	0	0	0	1	0	01	11	00
185	146	0000000	00089C08	000000000	511BEAA06A	0	0	0	0	1	11	01	11
186	147	0000000	00113810	000000000	2237D540D5	0	0	0	0	1	01	11	01
187	148	0000000	00227021	000000000	446FAA81AA	0	0	0	0	1	11	01	11
188	149	0000000	0044E042	000000000	08DF550355	0	0	0	1	0	10	11	01
189	150	0000000	0089C085	000000000	11BEAA06AA	0	1	0	1	0	10	10	11
190	151	0000000	0113810A	000000000	237D540D54	0	0	0	0	0	10	10	10
191	152	0000000	02270215	000000000	46FAA81AA9	0	0	0	1	1	10	10	10
192	153	0000000	044E042A	000000000	0DF5503553	0	0	0	1	1	10	10	10
193	154	0000000	089C0854	000000000	1BEAA06AA7	0	1	0	1	0	01	10	10
194	155	0000000	113810A8	000000000	37D540D54E	0	0	0	1	0	01	01	10
195	156	0000000	22702150	000000000	6FAA81AA9D	0	0	0	1	0	11	01	01

Sample Data



196	157	0000000	44E042A0	000000000	5F5503553A	0	1	0	0	0	10	11	01
197	158	0000000	09C08540	000000000	3EAA06AA75	0	1	0	1	0	10	10	11
198	159	0000000	13810A80	000000000	7D540D54EA	0	1	0	0	1	10	10	10
199	160	0000000	27021500	000000000	7AA81AA9D5	0	0	0	1	1	10	10	10
200	161	0000000	4E042A00	000000000	75503553AB	0	0	0	0	0	10	10	10
201	162	0000000	1C085400	000000000	6AA06AA756	0	0	0	1	1	10	10	10
202	163	0000000	3810A800	000000000	5540D54EAC	0	0	0	0	0	10	10	10
203	164	0000000	70215000	000000000	2A81AA9D58	0	0	0	1	1	10	10	10
204	165	0000000	6042A001	000000000	5503553AB0	0	0	0	0	0	10	10	10
205	166	0000000	40854002	000000000	2A06AA7561	0	1	0	0	1	10	10	10
206	167	0000000	010A8004	000000000	540D54EAC3	0	0	0	0	0	10	10	10
207	168	0000000	02150009	000000000	281AA9D586	0	0	0	0	0	10	10	10
208	169	0000000	042A0012	000000000	503553AB0C	0	0	0	0	0	10	10	10
209	170	0000000	08540024	000000000	206AA75618	0	0	0	0	0	10	10	10
210	171	0000000	10A80048	000000000	40D54EAC30	0	1	0	1	0	01	10	10
211	172	0000000	21500091	000000000	01AA9D5861	0	0	0	1	0	01	01	10
212	173	0000000	42A00122	000000000	03553AB0C3	0	1	0	0	0	11	01	01
213	174	0000000	05400244	000000000	06AA756186	0	0	0	1	0	10	11	01
214	175	0000000	0A800488	000000000	0D54EAC30D	0	1	0	0	1	01	10	11
215	176	0000000	15000911	000000000	1AA9D5861A	0	0	0	1	0	01	01	10
216	177	0000000	2A001223	000000000	3553AB0C35	0	0	0	0	1	10	01	01
217	178	0000000	54002446	000000000	6AA756186A	0	0	0	1	1	00	10	01
218	179	0000000	2800488D	000000000	554EAC30D5	0	0	0	0	0	01	00	10
219	180	0000000	5000911B	000000000	2A9D5861AA	0	0	0	1	0	00	01	00
220	181	0000000	20012236	000000000	553AB0C355	0	0	0	0	0	11	00	01
221	182	0000000	4002446C	000000000	2A756186AA	0	0	0	0	1	10	11	00
222	183	0000000	000488D9	000000000	54EAC30D54	0	0	0	1	1	01	10	11
223	184	0000000	000911B2	000000000	29D5861AA8	0	0	0	1	0	01	01	10
224	185	0000000	00122364	000000000	53AB0C3550	0	0	0	1	0	11	01	01
225	186	0000000	002446C8	000000000	2756186AA0	0	0	0	0	1	01	11	01
226	187	0000000	00488D90	000000000	4EAC30D540	0	0	0	1	0	10	01	11
227	188	0000000	00911B20	000000000	1D5861AA81	0	1	0	0	1	00	10	01
228	189	0000000	01223640	000000000	3AB0C35502	0	0	0	1	1	01	00	10
229	190	0000000	02446C80	000000000	756186AA05	0	0	0	0	1	01	01	00
230	191	0000000	0488D901	000000000	6AC30D540B	0	1	0	1	1	11	01	01
231	192	0000000	0911B203	000000000	55861AA817	0	0	0	1	0	10	11	01
232	193	0000000	12236407	000000000	2B0C35502F	0	0	0	0	0	01	10	11
233	194	0000000	2446C80E	000000000	56186AA05F	0	0	0	0	1	00	01	10
234	195	0000000	488D901C	000000000	2C30D540BF	0	1	0	0	1	11	00	01
235	196	0000000	111B2039	000000000	5861AA817E	0	0	0	0	1	10	11	00
236	197	0000000	22364072	000000000	30C35502FD	0	0	0	1	1	01	10	11
237	198	0000000	446C80E4	000000000	6186AA05FB	0	0	0	1	0	01	01	10
238	199	0000000	08D901C8	000000000	430D540BF6	0	1	0	0	0	11	01	01
239	200	0000000	11B20391	000000000	061AA817EC	0	1	0	0	0	10	11	01

- Z[0] = 3D
- Z[1] = C1
- Z[2] = F0
- Z[3] = BB
- Z[4] = 58
- Z[5] = 1E
- Z[6] = 42
- Z[7] = 42
- Z[8] = 4B
- Z[9] = 8E
- Z[10] = C1
- Z[11] = 2A

Sample Data



Z[12] = 40
 Z[13] = 63
 Z[14] = 7A
 Z[15] = 1E

=====
 Reload this pattern into the LFSRs
 Hold content of Summation Combiner regs and calculate new C[t+1] and Z values
 =====

LFSR1 <= 04B583D
 LFSR2 <= 208E1EC1
 LFSR3 <= 063C142F0
 LFSR4 <= 0F7A2A42BB
 C[t+1] <= 10

=====
 Generating 125 key symbols (encryption/decryption sequence)
 =====

240	1	04B583D	208E1EC1	063C142F0	0F7A2A42BB	0	1	0	0	0	10	11	01
241	2	096B07A	411C3D82	0C78285E1	1EF4548577	1	0	1	1	1	10	10	11
242	3	12D60F4	02387B04	18F050BC3	3DE8A90AEF	0	0	1	1	0	01	10	10
243	4	05AC1E9	0470F609	11E0A1786	7BD15215DF	0	0	0	1	0	01	01	10
244	5	0B583D2	08E1EC13	03C142F0C	77A2A42BBF	1	1	0	1	0	00	01	01
245	6	16B07A5	11C3D827	078285E18	6F4548577E	0	1	0	0	1	11	00	01
246	7	0D60F4B	2387B04F	0F050BC30	5E8A90AEFD	1	1	1	1	1	00	11	00
247	8	1AC1E97	470F609E	1E0A17860	3D15215DFA	1	0	1	0	0	11	00	11
248	9	1583D2E	0E1EC13D	1C142F0C0	7A2A42BBF4	0	0	1	0	0	01	11	00
249	10	0B07A5D	1C3D827B	18285E181	74548577E9	1	0	1	0	1	10	01	11
250	11	160F4BB	387B04F7	1050BC302	68A90AEFD2	0	0	0	1	1	00	10	01
251	12	0C1E976	70F609EE	00A178605	515215DFA5	1	1	0	0	0	00	00	10
252	13	183D2ED	61EC13DD	0142F0C0B	22A42BBF4B	1	1	0	1	1	01	00	00
253	14	107A5DA	43D827BA	0285E1817	4548577E97	0	1	0	0	0	00	01	00
254	15	00F4BB4	07B04F74	050BC302F	0A90AEFD2E	0	1	0	1	0	10	00	01
255	16	01E9769	0F609EE8	0A178605E	15215DFA5C	0	0	1	0	1	11	10	00
256	17	03D2ED3	1EC13DD0	142F0C0BD	2A42BBF4B9	0	1	0	0	0	00	11	10
257	18	07A5DA7	3D827BA0	085E1817B	548577E972	0	1	1	1	1	11	00	11
258	19	0F4BB4F	7B04F740	10BC302F6	290AEFD2E5	1	0	0	0	0	01	11	00
259	20	1E9769F	7609EE80	0178605ED	5215DFA5CA	1	0	0	0	0	10	01	11
260	21	1D2ED3F	6C13DD01	02F0C0BDA	242BBF4B94	1	0	0	0	1	00	10	01
261	22	1A5DA7E	5827BA03	05E1817B4	48577E9729	1	0	0	0	1	01	00	10
262	23	14BB4FC	304F7407	0BC302F69	10AEFD2E53	0	0	1	1	1	00	01	00
263	24	09769F9	609EE80E	178605ED2	215DFA5CA7	1	1	0	0	0	10	00	01
264	25	12ED3F2	413DD01C	0F0C0BDA4	42BBF4B94F	0	0	1	1	0	00	10	00
265	26	05DA7E5	027BA038	1E1817B49	0577E9729F	0	0	1	0	1	01	00	10
266	27	0BB4FCA	04F74071	1C302F693	0AEFD2E53F	1	1	1	1	1	11	01	00
267	28	1769F95	09EE80E3	18605ED27	15DFA5CA7F	0	1	1	1	0	11	11	01
268	29	0ED3F2B	13DD01C6	10C0BDA4F	2BBF4B94FE	1	1	0	1	0	10	11	11
269	30	1DA7E56	27BA038D	01817B49F	577E9729FD	1	1	0	0	0	10	10	11
270	31	1B4FCAD	4F74071B	0302F693E	2EFD2E53FB	1	0	0	1	0	01	10	10
271	32	169F95B	1EE80E37	0605ED27D	5DFA5CA7F7	0	1	0	1	1	01	01	10
272	33	0D3F2B7	3DD01C6E	0C0BDA4FB	3BF4B94FEF	1	1	1	1	1	00	01	01
273	34	1A7E56F	7BA038DC	1817B49F6	77E9729FDE	1	1	1	1	0	01	00	01
274	35	14FCADF	774071B9	102F693ED	6FD2E53FBD	0	0	0	1	0	00	01	00
275	36	09F95BE	6E80E373	005ED27DB	5FA5CA7F7B	1	1	0	1	1	10	00	01
276	37	13F2B7C	5D01C6E7	00BDA4FB6	3F4B94FEF7	0	0	0	0	0	11	10	00
277	38	07E56F9	3A038DCE	017B49F6C	7E9729FDEE	0	0	0	1	0	00	11	10
278	39	0FCADF2	74071B9C	02F693ED8	7D2E53FBDD	1	0	0	0	1	10	00	11

Sample Data



279	40	1F95BE5	680E3738	05ED27DB0	7A5CA7F7BA	1	0	0	0	1	11	10	00
280	41	1F2B7CA	501C6E71	0BDA4FB60	74B94FEF74	1	0	1	1	0	01	11	10
281	42	1E56F94	2038DCE2	17B49F6C0	69729FDEE8	1	0	0	0	0	10	01	11
282	43	1CADF29	4071B9C4	0F693ED80	52E53FBDD1	1	0	1	1	1	11	10	01
283	44	195BE53	00E37389	1ED27DB01	25CA7F7BA3	1	1	1	1	1	01	11	10
284	45	12B7CA6	01C6E713	1DA4FB602	4B94FEF747	0	1	1	1	0	01	01	11
285	46	056F94C	038DCE26	1B49F6C04	1729FDEE8E	0	1	1	0	1	11	01	01
286	47	0ADF299	071B9C4D	1693ED808	2E53FBDD1C	1	0	0	0	0	10	11	01
287	48	15BE532	0E37389A	0D27DB011	5CA7F7BA38	0	0	1	1	0	10	10	11
288	49	0B7CA64	1C6E7135	1A4FB6022	394FEF7471	1	0	1	0	0	01	10	10
289	50	16F94C9	38DCE26A	149F6C044	729FDEE8E2	0	1	0	1	1	01	01	10
290	51	0DF2993	71B9C4D4	093ED8089	653FBDD1C4	1	1	1	0	0	00	01	01
291	52	1BE5327	637389A9	127DB0112	4A7F7BA388	1	0	0	0	1	11	00	01
292	53	17CA64E	46E71353	04FB60224	14FEF74710	0	1	0	1	1	01	11	00
293	54	0F94C9C	0DCE26A6	09F6C0448	29FDEE8E21	1	1	1	1	1	01	01	11
294	55	1F29939	1B9C4D4D	13ED80890	53FBDD1C42	1	1	0	1	0	00	01	01
295	56	1E53272	37389A9A	07DB01121	27F7BA3884	1	0	0	1	0	10	00	01
296	57	1CA64E5	6E713534	0FB602242	4FEF747108	1	0	1	1	1	00	10	00
297	58	194C9CB	5CE26A69	1F6C04485	1FDEE8E210	1	1	1	1	0	11	00	10
298	59	1299397	39C4D4D3	1ED80890A	3FBDD1C420	0	1	1	1	0	00	11	00
299	60	053272F	7389A9A6	1DB011214	7F7BA38840	0	1	1	0	0	11	00	11
300	61	0A64E5E	6713534C	1B6022428	7EF7471081	1	0	1	1	0	00	11	00
301	62	14C9CBD	4E26A699	16C044850	7DEE8E2102	0	0	0	1	1	10	00	11
302	63	099397A	1C4D4D32	0D80890A0	7BDD1C4205	1	0	1	1	1	00	10	00
303	64	13272F4	389A9A65	1B0112141	77BA38840B	0	1	1	1	1	00	00	10
304	65	064E5E8	713534CB	160224283	6F74710817	0	0	0	0	0	00	00	00
305	66	0C9CBD1	626A6997	0C0448507	5EE8E2102E	1	0	1	1	1	01	00	00
306	67	19397A3	44D4D32E	180890A0E	3DD1C4205C	1	1	1	1	1	11	01	00
307	68	1272F46	09A9A65D	10112141D	7BA38840B8	0	1	0	1	1	10	11	01
308	69	04E5E8C	13534CBA	00224283A	7747108171	0	0	0	0	0	01	10	11
309	70	09CBD19	26A69975	004485075	6E8E2102E3	1	1	0	1	0	10	01	10
310	71	1397A32	4D4D32EB	00890A0EA	5D1C4205C7	0	0	0	0	0	00	10	01
311	72	072F465	1A9A65D7	0112141D5	3A38840B8F	0	1	0	0	1	01	00	10
312	73	0E5E8CA	3534CBAF	0224283AA	747108171F	1	0	0	0	0	00	01	00
313	74	1CBD194	6A69975E	044850755	68E2102E3E	1	0	0	1	0	10	00	01
314	75	197A329	54D32EBC	0890A0EAB	51C4205C7D	1	1	1	1	0	01	10	00
315	76	12F4653	29A65D79	112141D56	238840B8FA	0	1	0	1	1	01	01	10
316	77	05E8CA6	534CBAF2	024283AAD	47108171F4	0	0	0	0	1	10	01	01
317	78	0BD194D	269975E5	04850755B	0E2102E3E9	1	1	0	0	0	11	10	01
318	79	17A329A	4D32EBCB	090A0EAB6	1C4205C7D2	0	0	1	0	0	00	11	10
319	80	0F46535	1A65D797	12141D56D	38840B8FA5	1	0	0	1	0	11	00	11
320	81	1E8CA6A	34CBAF2F	04283AADA	7108171F4B	1	1	0	0	1	01	11	00
321	82	1D194D5	69975E5F	0850755B4	62102E3E97	1	1	1	0	0	01	01	11
322	83	1A329AA	532EBCBF	10A0EAB68	44205C7D2F	1	0	0	0	0	11	01	01
323	84	1465355	265D797F	0141D56D1	0840B8FA5E	0	0	0	0	1	01	11	01
324	85	08CA6AB	4CBAF2FF	0283AADA2	108171F4BC	1	1	0	1	0	01	01	11
325	86	1194D56	1975E5FF	050755B45	2102E3E979	0	0	0	0	1	10	01	01
326	87	0329AAD	32EBCBFF	0A0EAB68A	4205C7D2F3	0	1	1	0	0	11	10	01
327	88	065355A	65D797FF	141D56D14	040B8FA5E7	0	1	0	0	0	00	11	10
328	89	0CA6AB4	4BAF2FFF	083AADA28	08171F4BCF	1	1	1	0	1	11	00	11
329	90	194D569	175E5FFF	10755B450	102E3E979E	1	0	0	0	0	01	11	00
330	91	129AAD3	2EBCBFFF	00EAB68A1	205C7D2F3C	0	1	0	0	0	10	01	11
331	92	05355A6	5D797FFF	01D56D142	40B8FA5E78	0	0	0	1	1	00	10	01
332	93	0A6AB4D	3AF2FFFE	03AADA285	0171F4BCF1	1	1	0	0	0	00	00	10
333	94	14D569B	75E5FFFD	0755B450A	02E3E979E2	0	1	0	1	0	01	00	00
334	95	09AAD37	6BCBFFFA	0EAB68A15	05C7D2F3C4	1	1	1	1	1	11	01	00
335	96	1355A6E	5797FFF4	1D56D142A	0B8FA5E788	0	1	1	1	0	11	11	01

Sample Data



336	97	06AB4DC	2F2FFFE8	1AADA2854	171F4BCF11	0	0	1	0	0	11	11	11
337	98	0D569B8	5E5FFFD0	155B450A9	2E3E979E23	1	0	0	0	0	11	11	11
338	99	1AAD370	3CBFFFA1	0AB68A153	5C7D2F3C46	1	1	1	0	0	10	11	11
339	100	155A6E0	797FFF43	156D142A7	38FA5E788D	0	0	0	1	1	01	10	11
340	101	0AB4DC0	72FFFE87	0ADA2854E	71F4BCF11B	1	1	1	1	1	10	01	10
341	102	1569B81	65FFFD0E	15B450A9D	63E979E236	0	1	0	1	0	11	10	01
342	103	0AD3703	4BFFFA1C	0B68A153B	47D2F3C46C	1	1	1	1	1	01	11	10
343	104	15A6E07	17FFF438	16D142A76	0FA5E788D8	0	1	0	1	1	10	01	11
344	105	0B4DC0F	2FFFE870	0DA2854EC	1F4BCF11B0	1	1	1	0	1	11	10	01
345	106	169B81F	5FFFD0E1	1B450A9D8	3E979E2360	0	1	1	1	0	01	11	10
346	107	0D3703F	3FFFA1C3	168A153B0	7D2F3C46C1	1	1	0	0	1	10	01	11
347	108	1A6E07E	7FFF4386	0D142A761	7A5E788D83	1	1	1	0	1	11	10	01
348	109	14DC0FD	7FFE870C	1A2854EC2	74BCF11B07	0	1	1	1	0	01	11	10
349	110	09B81FB	7FFD0E19	1450A9D84	6979E2360E	1	1	0	0	1	10	01	11
350	111	13703F6	7FFA1C33	08A153B09	52F3C46C1C	0	1	1	1	1	11	10	01
351	112	06E07EC	7FF43867	1142A7612	25E788D838	0	1	0	1	1	00	11	10
352	113	0DC0FD8	7FE870CF	02854EC25	4BCF11B071	1	1	0	1	1	11	00	11
353	114	1B81FB1	7FD0E19E	050A9D84B	179E2360E3	1	1	0	1	0	00	11	00
354	115	1703F62	7FA1C33D	0A153B096	2F3C46C1C7	0	1	1	0	0	11	00	11
355	116	0E07EC4	7F43867B	142A7612C	5E788D838E	1	0	0	0	0	01	11	00
356	117	1C0FD88	7E870CF6	0854EC259	3CF11B071C	1	1	1	1	1	01	01	11
357	118	181FB11	7D0E19ED	10A9D84B3	79E2360E38	1	0	0	1	1	11	01	01
358	119	103F622	7A1C33DA	0153B0967	73C46C1C71	0	0	0	1	0	10	11	01
359	120	007EC45	743867B5	02A7612CE	6788D838E3	0	0	0	1	1	01	10	11
360	121	00FD88B	6870CF6B	054EC259C	4F11B071C6	0	0	0	0	1	00	01	10
361	122	01FB117	50E19ED7	0A9D84B38	1E2360E38C	0	1	1	0	0	10	00	01
362	123	03F622F	21C33DAE	153B09671	3C46C1C718	0	1	0	0	1	11	10	00
363	124	07EC45F	43867B5C	0A7612CE2	788D838E30	0	1	1	1	0	01	11	10
364	125	0FD88BF	070CF6B9	14EC259C4	711B071C61	1	0	0	0	0	10	01	11

Sample Data



1.1.3 Second set of sample data

Initial values for the key, BD_ADDR and clock

K_session[0] = 00 K_session[1] = 00 K_session[2] = 00 K_session[3] = 00
 K_session[4] = 00 K_session[5] = 00 K_session[6] = 00 K_session[7] = 00
 K_session[8] = 00 K_session[9] = 00 K_session[10] = 00 K_session[11] = 00
 K_session[12] = 00 K_session[13] = 00 K_session[14] = 00 K_session[15] = 00

BD_ADDR_C[0] = 00 BD_ADDR_C[1] = 00 BD_ADDR_C[2] = 00
 BD_ADDR_C[3] = 00 BD_ADDR_C[4] = 00 BD_ADDR_C[5] = 00

CL[0] = 00 CL[1] = 00 CL[2] = 00 CL[3] = 03

The corresponding values of CLK are 0x600_0000 and 0xE00_0000.

=====

Fill LFSRs with initial data

=====

t	clk#	LFSR1	LFSR2	LFSR3	LFSR4	X1	X2	X3	X4	Z	C[t+1]	C[t]	C[t-1]
0	0	0000000*	00000000*	000000000*	0000000000*	0	0	0	0	0	00	00	00
1	1	0000001*	00000001*	000000001*	0000000001*	0	0	0	0	0	00	00	00
2	2	0000002*	00000002*	000000002*	0000000003*	0	0	0	0	0	00	00	00
3	3	0000004*	00000004*	000000004*	0000000007*	0	0	0	0	0	00	00	00
4	4	0000008*	00000008*	000000008*	000000000E*	0	0	0	0	0	00	00	00
5	5	0000010*	00000010*	000000010*	000000001C*	0	0	0	0	0	00	00	00
6	6	0000020*	00000020*	000000020*	0000000038*	0	0	0	0	0	00	00	00
7	7	0000040*	00000040*	000000040*	0000000070*	0	0	0	0	0	00	00	00
8	8	0000080*	00000080*	000000080*	00000000E0*	0	0	0	0	0	00	00	00
9	9	0000100*	00000100*	000000100*	00000001C0*	0	0	0	0	0	00	00	00
10	10	0000200*	00000200*	000000200*	0000000380*	0	0	0	0	0	00	00	00
11	11	0000400*	00000400*	000000400*	0000000700*	0	0	0	0	0	00	00	00
12	12	0000800*	00000800*	000000800*	0000000E00*	0	0	0	0	0	00	00	00
13	13	0001000*	00001000*	000001000*	0000001C00*	0	0	0	0	0	00	00	00
14	14	0002000*	00002000*	000002000*	0000003800*	0	0	0	0	0	00	00	00
15	15	0004000*	00004000*	000004000*	0000007000*	0	0	0	0	0	00	00	00
16	16	0008000*	00008000*	000008000*	000000E000*	0	0	0	0	0	00	00	00
17	17	0010000*	00010000*	000010000*	000001C000*	0	0	0	0	0	00	00	00
18	18	0020000*	00020000*	000020000*	0000038000*	0	0	0	0	0	00	00	00
19	19	0040000*	00040000*	000040000*	0000070000*	0	0	0	0	0	00	00	00
20	20	0080000*	00080000*	000080000*	00000E0000*	0	0	0	0	0	00	00	00
21	21	0100000*	00100000*	000100000*	00001C0000*	0	0	0	0	0	00	00	00
22	22	0200000*	00200000*	000200000*	0000380000*	0	0	0	0	0	00	00	00
23	23	0400000*	00400000*	000400000*	0000700000*	0	0	0	0	0	00	00	00
24	24	0800000*	00800000*	000800000*	0000E00000*	1	1	0	0	0	01	00	00
25	25	1000000*	01000000*	001000000*	0001C00000*	0	0	0	0	0	00	00	00
26	26	0000001	02000000*	002000000*	0003800000*	0	0	0	0	0	00	00	00
27	27	0000002	04000000*	004000000*	0007000000*	0	0	0	0	0	00	00	00
28	28	0000004	08000000*	008000000*	000E000000*	0	0	0	0	0	00	00	00
29	29	0000008	10000000*	010000000*	001C000000*	0	0	0	0	0	00	00	00
30	30	0000010	20000000*	020000000*	0038000000*	0	0	0	0	0	00	00	00
31	31	0000020	40000000*	040000000*	0070000000*	0	0	0	0	0	00	00	00
32	32	0000040	00000001	080000000*	00E0000000*	0	0	1	1	0	01	00	00

Sample Data



33	33	0000080	00000002	100000000*	01C0000000*	0	0	0	1	1	00	00	00
34	34	0000101	00000004	000000001	0380000000*	0	0	0	1	1	00	00	00
35	35	0000202	00000008	000000002	0700000000*	0	0	0	0	0	00	00	00
36	36	0000404	00000010	000000004	0E00000000*	0	0	0	0	0	00	00	00
37	37	0000808	00000020	000000008	1C00000000*	0	0	0	0	0	00	00	00
38	38	0001011	00000040	000000011	3800000000*	0	0	0	0	0	00	00	00
39	39	0002022	00000080	000000022	7000000000*	0	0	0	0	0	00	00	00

Start clocking Summation Combiner

40	1	0004044	00000100	000000044	6000000001	0	0	0	0	0	00	00	00
41	2	0008088	00000200	000000088	4000000003	0	0	0	0	0	00	00	00
42	3	0010111	00000400	000000111	0000000007	0	0	0	0	0	00	00	00
43	4	0020222	00000800	000000222	000000000E	0	0	0	0	0	00	00	00
44	5	0040444	00001001	000000444	000000001D	0	0	0	0	0	00	00	00
45	6	0080888	00002002	000000888	000000003B	0	0	0	0	0	00	00	00
46	7	0101111	00004004	000001111	0000000077	0	0	0	0	0	00	00	00
47	8	0202222	00008008	000002222	00000000EE	0	0	0	0	0	00	00	00
48	9	0404444	00010011	000004444	00000001DD	0	0	0	0	0	00	00	00
49	10	0808888	00020022	000008888	00000003BB	1	0	0	0	1	00	00	00
50	11	1011110	00040044	000011111	0000000777	0	0	0	0	0	00	00	00
51	12	0022221	00080088	000022222	0000000EEE	0	0	0	0	0	00	00	00
52	13	0044442	00100110	000044444	0000001DDD	0	0	0	0	0	00	00	00
53	14	0088884	00200220	000088888	0000003BBB	0	0	0	0	0	00	00	00
54	15	0111109	00400440	000111111	0000007777	0	0	0	0	0	00	00	00
55	16	0222212	00800880	000222222	000000EEEE	0	1	0	0	1	00	00	00
56	17	0444424	01001100	000444444	000001DDDD	0	0	0	0	0	00	00	00
57	18	0888848	02002200	000888888	000003BBBB	1	0	0	0	1	00	00	00
58	19	1111090	04004400	001111110	0000077777	0	0	0	0	0	00	00	00
59	20	0222120	08008800	002222220	000000EEEE	0	0	0	0	0	00	00	00
60	21	0444240	10011000	004444440	00001DDDDD	0	0	0	0	0	00	00	00
61	22	0888480	20022000	008888880	00003BBBBB	1	0	0	0	1	00	00	00
62	23	1110900	40044000	011111100	0000777777	0	0	0	0	0	00	00	00
63	24	0221200	00088001	022222200	0000EEEEEE	0	0	0	0	0	00	00	00
64	25	0442400	00110003	044444400	0001DDDDDD	0	0	0	0	0	00	00	00
65	26	0884800	00220006	088888800	0003BBBBBB	1	0	1	0	0	01	00	00
66	27	1109000	0044000C	111111000	0007777777	0	0	0	0	1	01	01	00
67	28	0212001	00880018	022222001	000EEEEEEE	0	1	0	0	0	11	01	01
68	29	0424002	01100031	044444002	001DDDDDDC	0	0	0	0	1	01	11	01
69	30	0848004	02200062	088888004	003BBBBBB8	1	0	1	0	1	10	01	11
70	31	1090008	044000C4	111110008	0077777770	0	0	0	0	0	00	10	01
71	32	0120010	08800188	022220010	00EEEEEEE0	0	1	0	1	0	00	00	10
72	33	0240020	11000311	044440020	01DDDDDDC1	0	0	0	1	1	00	00	00
73	34	0480040	22000622	088880040	03BBBBBB83	0	0	1	1	0	01	00	00
74	35	0900081	44000C44	111100080	0777777707	1	0	0	0	0	00	01	00
75	36	1200103	08001888	022200101	0EEEEEEE0E	0	0	0	1	1	11	00	01
76	37	0400207	10003111	044400202	1DDDDDDC1D	0	0	0	1	0	01	11	00
77	38	080040E	20006222	088800404	3BBBBBB83B	1	0	1	1	0	01	01	11
78	39	100081C	4000C444	111000808	7777777077	0	0	0	0	1	10	01	01
79	40	0001038	00018888	022001010	6EEEEEE0EF	0	0	0	1	1	00	10	01
80	41	0002070	00031110	044002020	5DDDDDC1DE	0	0	0	1	1	01	00	10
81	42	00040E0	00062220	088004040	3BBBB83BC	0	0	1	1	1	00	01	00
82	43	00081C1	000C4440	110008081	777770779	0	0	0	0	0	11	00	01
83	44	0010383	00188880	020010103	6EEEEEE0EF2	0	0	0	1	0	01	11	00
84	45	0020707	00311100	040020206	5DDDDC1DE5	0	0	0	1	0	10	01	11
85	46	0040E0E	00622200	08004040C	3BBBB83BCB	0	0	1	1	0	11	10	01
86	47	0081C1D	00C44400	100080819	7777707797	0	1	0	0	0	00	11	10

Sample Data



87	48	010383A	01888801	000101032	6EEEE0EF2F	0	1	0	1	0	11	00	11
88	49	0207075	03111003	000202064	5DDDC1DE5E	0	0	0	1	0	01	11	00
89	50	040E0EA	06222006	0004040C8	3BBB83BCBC	0	0	0	1	0	10	01	11
90	51	081C1D5	0C44400C	000808191	7777077979	1	0	0	0	1	00	10	01
91	52	10383AB	18888018	001010323	6EEE0EF2F2	0	1	0	1	0	00	00	10
92	53	0070756	31110030	002020646	5DDC1DE5E5	0	0	0	1	1	00	00	00
93	54	00E0EAC	62220060	004040C8C	3BB83BCBCB	0	0	0	1	1	00	00	00
94	55	01C1D59	444400C1	008081919	7770779797	0	0	0	0	0	00	00	00
95	56	0383AB2	08880183	010103232	6EE0EF2F2F	0	1	0	1	0	01	00	00
96	57	0707565	11100307	020206464	5DC1DE5E5F	0	0	0	1	0	00	01	00
97	58	0E0EACA	2220060E	04040C8C8	3B83BCBCBF	1	0	0	1	0	10	00	01
98	59	1C1D594	44400C1C	080819191	770779797E	1	0	1	0	0	00	10	00
99	60	183AB28	08801838	101032323	6E0EF2F2FC	1	1	0	0	0	00	00	10
100	61	1075650	11003070	002064647	5C1DE5E5F8	0	0	0	0	0	00	00	00
101	62	00EACA1	220060E0	0040C8C8E	383BCBCBF0	0	0	0	0	0	00	00	00
102	63	01D5943	4400C1C0	00819191D	70779797E0	0	0	0	0	0	00	00	00
103	64	03AB286	08018380	01032323A	60EF2F2FC1	0	0	0	1	1	00	00	00
104	65	075650C	10030701	020646475	41DE5E5F82	0	0	0	1	1	00	00	00
105	66	0EACA18	20060E02	040C8C8EA	03BCBCBF04	1	0	0	1	0	01	00	00
106	67	1D59430	400C1C05	0819191D4	0779797E09	1	0	1	0	1	00	01	00
107	68	1AB2861	0018380A	1032323A9	0EF2F2FC12	1	0	0	1	0	10	00	01
108	69	15650C3	00307015	006464752	1DE5E5F825	0	0	0	1	1	11	10	00
109	70	0ACA186	0060E02A	00C8C8EA4	3BCBCBF04B	1	0	0	1	1	00	11	10
110	71	159430C	00C1C055	019191D48	779797E097	0	1	0	1	0	11	00	11
111	72	0B28618	018380AA	032323A90	6F2F2FC12F	1	1	0	0	1	01	11	00
112	73	1650C30	03070154	064647520	5E5E5F825E	0	0	0	0	1	11	01	11
113	74	0CA1860	060E02A8	0C8C8EA40	3CBCBF04BC	1	0	1	1	0	11	11	01
114	75	19430C0	0C1C0550	19191D480	79797E0979	1	0	1	0	1	11	11	11
115	76	1286180	18380AA0	12323A900	72F2FC12F2	0	0	0	1	0	11	11	11
116	77	050C301	30701541	046475201	65E5F825E5	0	0	0	1	0	11	11	11
117	78	0A18602	60E02A82	08C8EA402	4BCBF04BCB	1	1	1	1	1	10	11	11
118	79	1430C04	41C05505	1191D4804	1797E09796	0	1	0	1	0	10	10	11
119	80	0861808	0380AA0A	0323A9008	2F2FC12F2C	1	1	0	0	0	01	10	10
120	81	10C3011	07015415	064752011	5E5F825E59	0	0	0	0	1	00	01	10
121	82	0186022	0E02A82A	0C8EA4022	3CBF04BCB2	0	0	1	1	0	10	00	01
122	83	030C045	1C055054	191D48044	797E097964	0	0	1	0	1	11	10	00
123	84	061808A	380AA0A8	123A90088	72FC12F2C9	0	0	0	1	0	00	11	10
124	85	0C30115	70154151	047520111	65F825E593	1	0	0	1	0	11	00	11
125	86	186022A	602A82A3	08EA40222	4BF04BCB26	1	0	1	1	0	00	11	00
126	87	10C0455	40550546	11D480444	17E097964C	0	0	0	1	1	10	00	11
127	88	01808AA	00AA0A8D	03A900888	2FC12F2C99	0	1	0	1	0	00	10	00
128	89	0301155	0154151A	075201111	5F825E5932	0	0	0	1	1	01	00	10
129	90	06022AA	02A82A34	0EA402222	3F04BCB264	0	1	1	0	1	00	01	00
130	91	0C04555	05505468	1D4804445	7E097964C9	1	0	1	0	0	10	00	01
131	92	1808AAA	0AA0A8D0	1A900888A	7C12F2C992	1	1	1	0	1	00	10	00
132	93	1011555	154151A1	152011115	7825E59324	0	0	0	0	0	01	00	10
133	94	0022AAB	2A82A342	0A402222B	704BCB2648	0	1	1	0	1	00	01	00
134	95	0045556	55054684	148044457	6097964C91	0	0	0	1	1	11	00	01
135	96	008AAAC	2A0A8D09	0900888AE	412F2C9923	0	0	1	0	0	01	11	00
136	97	0115559	54151A12	12011115D	025E593246	0	0	0	0	1	11	01	11
137	98	022AAB2	282A3424	0402222BA	04BCB2648D	0	0	0	1	0	10	11	01
138	99	0455564	50546848	080444575	097964C91A	0	0	1	0	1	01	10	11
139	100	08AAAC8	20A8D090	100888AEA	12F2C99235	1	1	0	1	0	10	01	10
140	101	1155591	4151A120	0011115D5	25E593246A	0	0	0	1	1	00	10	01
141	102	02AAB22	02A34240	002222BAA	4BCB2648D5	0	1	0	1	0	00	00	10
142	103	0555644	05468481	004445755	17964C91AB	0	0	0	1	1	00	00	00
143	104	0AAAC88	0A8D0903	00888AEAA	2F2C992357	1	1	0	0	0	01	00	00

Sample Data



144	105	1555911	151A1206	011115D55	5E593246AE	0	0	0	0	1	01	01	00
145	106	0AAB222	2A34240C	02222BAAA	3CB2648D5C	1	0	0	1	1	11	01	01
146	107	1556445	54684818	044457555	7964C91AB8	0	0	0	0	1	01	11	01
147	108	0AAC88B	28D09030	0888AEAAA	72C9923571	1	1	1	1	1	01	01	11
148	109	1559117	51A12060	11115D555	6593246AE2	0	1	0	1	1	11	01	01
149	110	0AB222F	234240C0	0222BAAAB	4B2648D5C5	1	0	0	0	0	10	11	01
150	111	156445F	46848180	044575557	164C91AB8A	0	1	0	0	1	01	10	11
151	112	0AC88BF	0D090301	088AEAAAA	2C99235714	1	0	1	1	0	10	01	10
152	113	159117F	1A120602	1115D555D	593246AE28	0	0	0	0	0	00	10	01
153	114	0B222FE	34240C04	022BAAABA	32648D5C51	1	0	0	0	1	01	00	10
154	115	16445FD	68481809	045755574	64C91AB8A2	0	0	0	1	0	00	01	00
155	116	0C88BFA	50903012	08AEAAAAE8	4992357144	1	1	1	1	0	01	00	01
156	117	19117F5	21206024	115D555D1	13246AE288	1	0	0	0	0	00	01	00
157	118	1222FEA	4240C048	02BAAABA2	2648D5C511	0	0	0	0	0	11	00	01
158	119	0445FD5	04818090	057555744	4C91AB8A23	0	1	0	1	1	01	11	00
159	120	088BFAA	09030120	0AEAAAAE88	1923571446	1	0	1	0	1	10	01	11
160	121	1117F55	12060240	15D555D11	3246AE288D	0	0	0	0	0	00	10	01
161	122	022FEAA	240C0480	0BAAABA22	648D5C511B	0	0	1	1	0	00	00	10
162	123	045FD54	48180900	175557444	491AB8A237	0	0	0	0	0	00	00	00
163	124	08BFAA9	10301200	0EAAAE889	123571446F	1	0	1	0	0	00	00	00
164	125	117F553	20602400	1D555D113	246AE288DF	0	0	1	0	0	00	01	00
165	126	02FEAA7	40C04800	1AAABA227	48D5C511BE	0	1	1	1	1	10	00	01
166	127	05FD54F	01809001	15557444F	11AB8A237D	0	1	0	1	0	00	10	00
167	128	0BFAA9F	03012002	0AAAE889E	23571446FA	1	0	1	0	0	00	00	10
168	129	17F553F	06024004	1555D113D	46AE288DF5	0	0	0	1	1	00	00	00
169	130	0FEAA7E	0C048008	0AABA227A	0D5C511BEA	1	0	1	0	0	01	00	00
170	131	1FD54FC	18090011	1557444F5	1AB8A237D5	1	0	0	1	1	00	01	00
171	132	1FAA9F9	30120022	0AAE889EB	3571446FAA	1	0	1	0	0	10	00	01
172	133	1F553F2	60240044	155D113D7	6AE288DF55	1	0	0	1	0	00	10	00
173	134	1EAA7E4	40480089	0ABA227AE	55C511BEAA	1	0	1	1	1	00	00	10
174	135	1D54FC9	00900113	157444F5D	2B8A237D54	1	1	0	1	1	01	00	00
175	136	1AA9F93	01200227	0AE889EBA	571446FAA8	1	0	1	0	1	00	01	00
176	137	1553F26	0240044E	15D113D75	2E288DF550	0	0	0	0	0	11	00	01
177	138	0AA7E4C	0480089C	0BA227AEA	5C511BEAA0	1	1	1	0	0	00	11	00
178	139	154FC98	09001138	17444F5D4	38A237D540	0	0	0	1	1	10	00	11
179	140	0A9F931	12002270	0E889EBA9	71446FAA81	1	0	1	0	0	00	10	00
180	141	153F262	240044E0	1D113D753	6288DF5503	0	0	1	1	0	00	00	10
181	142	0A7E4C5	480089C0	1A227AEA7	4511BEAA06	1	0	1	0	0	01	00	00
182	143	14FC98B	10011381	1444F5D4F	0A237D540D	0	0	0	0	1	01	01	00
183	144	09F9316	20022702	0889EBA9E	1446FAA81A	1	0	1	0	1	11	01	01
184	145	13F262D	40044E04	1113D753D	288DF55035	0	0	0	1	0	10	11	01
185	146	07E4C5A	00089C08	0227AEA7A	511BEAA06A	0	0	0	0	0	01	10	11
186	147	0FC98B4	00113810	044F5D4F5	2237D540D5	1	0	0	0	0	01	01	10
187	148	1F93169	00227021	089EBA9EB	446FAA81AA	1	0	1	0	1	11	01	01
188	149	1F262D2	0044E042	113D753D7	08DF550355	1	0	0	1	1	10	11	01
189	150	1E4C5A4	0089C085	027AEA7AE	11BEAA06AA	1	1	0	1	1	10	10	11
190	151	1C98B48	0113810A	04F5D4F5C	237D540D54	1	0	0	0	1	10	10	10
191	152	1931691	02270215	09EBA9EB8	46FAA81AA9	1	0	1	1	1	01	10	10
192	153	1262D22	044E042A	13D753D71	0DF5503553	0	0	0	1	0	01	01	10
193	154	04C5A44	089C0854	07AEA7AE2	1BEAA06AA7	0	1	0	1	1	11	01	01
194	155	098B488	113810A8	0F5D4F5C4	37D540D54E	1	0	1	1	0	11	11	01
195	156	1316910	22702150	1EBA9EB89	6FAA81AA9D	0	0	1	1	1	11	11	11
196	157	062D220	44E042A0	1D753D712	5F5503553A	0	1	1	0	1	11	11	11
197	158	0C5A440	09C08540	1AEA7AE25	3EAA06AA75	1	1	1	1	1	10	11	11
198	159	18B4880	13810A80	15D4F5C4B	7D540D54EA	1	1	0	0	0	10	10	11
199	160	1169100	27021500	0BA9EB897	7AA81AA9D5	0	0	1	1	0	01	10	10
200	161	02D2201	4E042A00	1753D712E	75503553AB	0	0	0	0	1	00	01	10

Sample Data



201	162	05A4403	1C085400	0EA7AE25C	6AA06AA756	0	0	1	1	0	10	00	01
202	163	0B48807	3810A800	1D4F5C4B8	5540D54EAC	1	0	1	0	0	00	10	00
203	164	169100F	70215000	1A9EB8971	2A81AA9D58	0	0	1	1	0	00	00	10
204	165	0D2201E	6042A001	153D712E3	5503553AB0	1	0	0	0	1	00	00	00
205	166	1A4403C	40854002	0A7AE25C6	2A06AA7561	1	1	1	0	1	01	00	00
206	167	1488079	010A8004	14F5C4B8D	540D54EAC3	0	0	0	0	1	01	01	00
207	168	09100F2	02150009	09EB8971B	281AA9D586	1	0	1	0	1	11	01	01
208	169	12201E5	042A0012	13D712E37	503553AB0C	0	0	0	0	1	01	11	01
209	170	04403CA	08540024	07AE25C6E	206AA75618	0	0	0	0	1	11	01	11
210	171	0880795	10A80048	0F5C4B8DD	40D54EAC30	1	1	1	1	1	11	11	01
211	172	1100F2A	21500091	1EB8971BA	01AA9D5861	0	0	1	1	1	11	11	11
212	173	0201E54	42A00122	1D712E374	03553AB0C3	0	1	1	0	1	11	11	11
213	174	0403CA9	05400244	1AE25C6E9	06AA756186	0	0	1	1	1	11	11	11
214	175	0807952	0A800488	15C4B8DD3	0D54EAC30D	1	1	0	0	1	11	11	11
215	176	100F2A5	15000911	0B8971BA6	1AA9D5861A	0	0	1	1	1	11	11	11
216	177	001E54A	2A001223	1712E374C	3553AB0C35	0	0	0	0	1	00	11	11
217	178	003CA94	54002446	0E25C6E98	6AA756186A	0	0	1	1	0	11	00	11
218	179	0079528	2800488D	1C4B8DD31	554EAC30D5	0	0	1	0	0	01	11	00
219	180	00F2A50	5000911B	18971BA62	2A9D5861AA	0	0	1	1	1	10	01	11
220	181	01E54A0	20012236	112E374C4	553AB0C355	0	0	0	0	0	00	10	01
221	182	03CA940	4002446C	025C6E988	2A756186AA	0	0	0	0	0	01	00	10
222	183	0795280	000488D9	04B8DD310	54EAC30D54	0	0	0	1	0	00	01	00
223	184	0F2A500	000911B2	0971BA620	29D5861AA8	1	0	1	1	1	10	00	01
224	185	1E54A00	00122364	12E374C40	53AB0C3550	1	0	0	1	0	00	10	00
225	186	1CA9400	002446C8	05C6E9880	2756186AA0	1	0	0	0	1	01	00	10
226	187	1952800	00488D90	0B8DD3101	4EAC30D540	1	0	1	1	0	11	01	00
227	188	12A5000	00911B20	171BA6202	1D5861AA81	0	1	0	0	0	10	11	01
228	189	054A000	01223640	0E374C404	3AB0C35502	0	0	1	1	0	10	10	11
229	190	0A94000	02446C80	1C6E98808	756186AA05	1	0	1	0	0	01	10	10
230	191	1528001	0488D901	18DD31011	6AC30D540B	0	1	1	1	0	10	01	10
231	192	0A50003	0911B203	11BA62023	55861AA817	1	0	0	1	0	11	10	01
232	193	14A0006	12236407	0374C4047	2B0C35502F	0	0	0	0	1	11	11	10
233	194	094000C	2446C80E	06E98808E	56186AA05F	1	0	0	0	0	11	11	11
234	195	1280018	488D901C	0DD31011D	2C30D540BF	0	1	1	0	1	11	11	11
235	196	0500030	111B2039	1BA62023A	5861AA817E	0	0	1	0	0	11	11	11
236	197	0A00060	22364072	174C40475	30C35502FD	1	0	0	1	1	11	11	11
237	198	14000C0	446C80E4	0E98808EA	6186AA05FB	0	0	1	1	1	11	11	11
238	199	0800180	08D901C8	1D31011D5	430D540BF6	1	1	1	0	0	10	11	11
239	200	1000301	11B20391	1A62023AB	061AA817EC	0	1	1	0	0	10	10	11

- Z[0] = 25
- Z[1] = 45
- Z[2] = 6B
- Z[3] = 55
- Z[4] = 5F
- Z[5] = C2
- Z[6] = 20
- Z[7] = E5
- Z[8] = C4
- Z[9] = F8
- Z[10] = 3A
- Z[11] = F1
- Z[12] = FF
- Z[13] = 89
- Z[14] = 02
- Z[15] = 35

Sample Data



```

=====
Reload this pattern into the LFSRs
Hold content of Summation Combiner regs and calculate new C[t+1] and Z values
=====
    
```

```

LFSR1 <= 1C45F25
LFSR2 <= 7FF8C245
LFSR3 <= 1893A206B
LFSR4 <= 1A02F1E555
C[t+1] <= 10
    
```

```

=====
Generating 125 key symbols (encryption/decryption sequence)
=====
    
```

240	1	1C45F25	7FF8C245	1893A206B	1A02F1E555	1	1	1	0	1	10	10	11
241	2	188BE4A	7FF1848B	1127440D7	3405E3CAAB	1	1	0	0	0	01	10	10
242	3	1117C95	7FE30917	024E881AF	680BC79557	0	1	0	0	0	01	01	10
243	4	022F92B	7FC6122F	049D1035E	50178F2AAF	0	1	0	0	0	11	01	01
244	5	045F257	7F8C245E	093A206BD	202F1E555E	0	1	1	0	1	10	11	01
245	6	08BE4AE	7F1848BC	127440D7A	405E3CAABC	1	0	0	0	1	01	10	11
246	7	117C95C	7E309178	04E881AF4	00BC795579	0	0	0	1	0	01	01	10
247	8	02F92B8	7C6122F0	09D1035E8	0178F2AAF2	0	0	1	0	0	11	01	01
248	9	05F2570	78C245E1	13A206BD0	02F1E555E5	0	1	0	1	1	10	11	01
249	10	0BE4AE1	71848BC2	07440D7A0	05E3CAABCA	1	1	0	1	1	10	10	11
250	11	17C95C3	63091784	0E881AF40	0BC7955795	0	0	1	1	0	01	10	10
251	12	0F92B87	46122F09	1D1035E80	178F2AAF2B	1	0	1	1	0	10	01	10
252	13	1F2570F	0C245E12	1A206BD01	2F1E555E56	1	0	1	0	0	11	10	01
253	14	1E4AE1F	1848BC25	1440D7A03	5E3CAABCAC	1	0	0	0	0	00	11	10
254	15	1C95C3E	3091784A	0881AF407	3C79557958	1	1	1	0	1	11	00	11
255	16	192B87D	6122F094	11035E80F	78F2AAF2B1	1	0	0	1	1	01	11	00
256	17	12570FA	4245E128	0206BD01E	71E555E562	0	0	0	1	0	10	01	11
257	18	04AE1F4	048BC250	040D7A03D	63CAABCAC5	0	1	0	1	0	11	10	01
258	19	095C3E8	091784A0	081AF407A	479557958A	1	0	1	1	0	01	11	10
259	20	12B87D1	122F0941	1035E80F4	0F2AAF2B14	0	0	0	0	1	11	01	11
260	21	0570FA3	245E1283	006BD01E9	1E555E5628	0	0	0	0	1	01	11	01
261	22	0AE1F46	48BC2506	00D7A03D2	3CAABCAC50	1	1	0	1	0	01	01	11
262	23	15C3E8C	11784A0C	01AF407A5	79557958A0	0	0	0	0	1	10	01	01
263	24	0B87D18	22F09419	035E80F4A	72AAF2B140	1	1	0	1	1	11	10	01
264	25	170FA30	45E12832	06BD01E94	6555E56280	0	1	0	0	0	00	11	10
265	26	0E1F460	0BC25065	0D7A03D28	4AABCAC501	1	1	1	1	0	00	00	11
266	27	1C3E8C0	1784A0CB	1AF407A50	1557958A03	1	1	1	0	1	01	00	00
267	28	187D181	2F094196	15E80F4A0	2AAF2B1406	1	0	0	1	1	00	01	00
268	29	10FA302	5E12832C	0BD01E941	555E56280C	0	0	1	0	1	11	00	01
269	30	01F4604	3C250658	17A03D283	2ABCAC5019	0	0	0	1	0	01	11	00
270	31	03E8C09	784A0CB0	0F407A506	557958A033	0	0	1	0	0	10	01	11
271	32	07D1812	70941960	1E80F4A0C	2AF2B14066	0	1	1	1	1	11	10	01
272	33	0FA3024	612832C1	1D01E9419	55E56280CD	1	0	1	1	0	01	11	10
273	34	1F46049	42506583	1A03D2832	2BCAC5019A	1	0	1	1	0	01	01	11
274	35	1E8C093	04A0CB07	1407A5065	57958A0335	1	1	0	1	0	00	01	01
275	36	1D18127	0941960F	080F4A0CB	2F2B14066B	1	0	1	0	0	10	00	01
276	37	1A3024F	12832C1F	101E94196	5E56280CD7	1	1	0	0	0	00	10	00
277	38	146049F	2506583E	003D2832C	3CAC5019AE	0	0	0	1	1	01	00	10
278	39	08C093E	4A0CB07D	007A50658	7958A0335D	1	0	0	0	0	00	01	00
279	40	118127C	141960FA	00F4A0CB0	72B14066BA	0	0	0	1	1	11	00	01
280	41	03024F8	2832C1F4	01E941961	656280CD74	0	0	0	0	1	10	11	00
281	42	06049F1	506583E9	03D2832C2	4AC5019AE9	0	0	0	1	1	01	10	11
282	43	0C093E2	20CB07D2	07A506585	158A0335D3	1	1	0	1	0	10	01	10
283	44	18127C5	41960FA5	0F4A0CB0B	2B14066BA7	1	1	1	0	1	11	10	01

Sample Data



284	45	1024F8A	032C1F4B	1E9419616	56280CD74F	0	0	1	0	0	00	11	10
285	46	0049F15	06583E97	1D2832C2C	2C5019AE9F	0	0	1	0	1	10	00	11
286	47	0093E2B	0CB07D2F	1A5065859	58A0335D3E	0	1	1	1	1	00	10	00
287	48	0127C56	1960FA5E	14A0CB0B2	314066BA7D	0	0	0	0	0	01	00	10
288	49	024F8AD	32C1F4BC	094196164	6280CD74FB	0	1	1	1	0	11	01	00
289	50	049F15A	6583E978	12832C2C8	45019AE9F6	0	1	0	0	0	10	11	01
290	51	093E2B5	4B07D2F0	050658591	0A0335D3ED	1	0	0	0	1	01	10	11
291	52	127C56B	160FA5E0	0A0CB0B22	14066BA7DA	0	0	1	0	0	01	01	10
292	53	04F8AD7	2C1F4BC1	141961645	280CD74FB5	0	0	0	0	1	10	01	01
293	54	09F15AF	583E9783	0832C2C8A	5019AE9F6A	1	0	1	0	0	11	10	01
294	55	13E2B5E	307D2F06	106585915	20335D3ED5	0	0	0	0	1	11	11	10
295	56	07C56BD	60FA5E0D	00CB0B22B	4066BA7DAA	0	1	0	0	0	11	11	11
296	57	0F8AD7A	41F4BC1B	019616457	00CD74FB54	1	1	0	1	0	10	11	11
297	58	1F15AF4	03E97836	032C2C8AF	019AE9F6A9	1	1	0	1	1	10	10	11
298	59	1E2B5E9	07D2F06C	06585915E	0335D3ED52	1	1	0	0	0	01	10	10
299	60	1C56BD2	0FA5E0D8	0CB0B22BC	066BA7DAA4	1	1	1	0	0	10	01	10
300	61	18AD7A5	1F4BC1B0	196164578	0CD74FB549	1	0	1	1	1	11	10	01
301	62	115AF4B	3E978361	12C2C8AF0	19AE9F6A92	0	1	0	1	1	00	11	10
302	63	02B5E96	7D2F06C2	0585915E0	335D3ED524	0	0	0	0	0	10	00	11
303	64	056BD2D	7A5E0D85	0B0B22BC1	66BA7DAA49	0	0	1	1	0	00	10	00
304	65	0AD7A5B	74BC1B0A	161645783	4D74FB5493	1	1	0	0	0	00	00	10
305	66	15AF4B6	69783615	0C2C8AF07	1AE9F6A926	0	0	1	1	0	01	00	00
306	67	0B5E96D	52F06C2B	185915E0F	35D3ED524C	1	1	1	1	1	11	01	00
307	68	16BD2DB	25E0D857	10B22BC1F	6BA7DAA499	0	1	0	1	1	10	11	01
308	69	0D7A5B7	4BC1B0AF	01645783F	574FB54933	1	1	0	0	0	10	10	11
309	70	1AF4B6F	1783615F	02C8AF07F	2E9F6A9266	1	1	0	1	1	01	10	10
310	71	15E96DF	2F06C2BF	05915E0FF	5D3ED524CC	0	0	0	0	1	00	01	10
311	72	0BD2DBF	5E0D857F	0B22BC1FE	3A7DAA4998	1	0	1	0	0	10	00	01
312	73	17A5B7F	3C1B0AFE	1645783FD	74FB549331	0	0	0	1	1	11	10	00
313	74	0F4B6FF	783615FD	0C8AF07FA	69F6A92662	1	0	1	1	0	01	11	10
314	75	1E96DFF	706C2BFB	1915E0FF5	53ED524CC4	1	0	1	1	0	01	01	11
315	76	1D2DBFE	60D857F6	122BC1FEB	27DAA49988	1	1	0	1	0	00	01	01
316	77	1A5B7FD	41B0AFEC	045783FD7	4FB5493310	1	1	0	1	1	10	00	01
317	78	14B6FFA	03615FD8	08AF07FAE	1F6A926620	0	0	1	0	1	11	10	00
318	79	096DFF4	06C2BFB1	115E0FF5D	3ED524CC40	1	1	0	1	0	01	11	10
319	80	12DBFE8	0D857F63	02BC1FEBB	7DAA499881	0	1	0	1	1	10	01	11
320	81	05B7FD0	1B0AFEC6	05783FD77	7B54933103	0	0	0	0	0	00	10	01
321	82	0B6FFA1	3615FD8C	0AF07FAEF	76A9266206	1	0	1	1	1	00	00	10
322	83	16DFF42	6C2BFB18	15E0FF5DE	6D524CC40C	0	0	0	0	0	00	00	00
323	84	0DBFE85	5857F631	0BC1FEBBD	5AA4998819	1	0	1	1	1	01	00	00
324	85	1B7FD0B	30AFEC62	1783FD77A	3549331033	1	1	0	0	1	00	01	00
325	86	16FFA16	615FD8C5	0F07FAEF5	6A92662067	0	0	1	1	0	10	00	01
326	87	0DFF42D	42BFB18B	1E0FF5DEA	5524CC40CE	1	1	1	0	1	00	10	00
327	88	1BFE85B	057F6317	1C1FEBBD5	2A4998819C	1	0	1	0	0	00	00	10
328	89	17FD0B7	0AFEC62E	183FD77AA	5493310339	0	1	1	1	1	01	00	00
329	90	0FFA16F	15FD8C5C	107FAEF55	2926620672	1	1	0	0	1	00	01	00
330	91	1FF42DF	2BFB18B9	00FF5DEAA	524CC40CE5	1	1	0	0	0	10	00	01
331	92	1FE85BF	57F63172	01FEBBD55	24998819CA	1	1	0	1	1	00	10	00
332	93	1FD0B7F	2FEC62E4	03FD77AAA	4933103394	1	1	0	0	0	00	00	10
333	94	1FA16FF	5FD8C5C9	07FAEF555	1266206728	1	1	0	0	0	01	00	00
334	95	1F42DFF	3FB18B93	0FF5DEAAA	24CC40CE51	1	1	1	1	1	11	01	00
335	96	1E85BFF	7F631727	1FEBBD554	4998819CA3	1	0	1	1	0	11	11	01
336	97	1D0B7FE	7EC62E4F	1FD77AAA9	1331033947	1	1	1	0	0	10	11	11
337	98	1A16FFC	7D8C5C9F	1FAEF5553	266206728E	1	1	1	0	1	10	10	11
338	99	142DFF9	7B18B93F	1F5DEAAA7	4CC40CE51D	0	0	1	1	0	01	10	10
339	100	085BFF3	7631727F	1EBBD554E	198819CA3B	1	0	1	1	0	10	01	10
340	101	10B7FE6	6C62E4FF	1D77AAA9C	3310339477	0	0	1	0	1	00	10	01

Sample Data



341	102	016FFCC	58C5C9FE	1AEF55538	66206728EE	0	1	1	0	0	00	00	10
342	103	02DFF98	318B93FC	15DEAAA70	4C40CE51DC	0	1	0	0	1	00	00	00
343	104	05BFF31	631727F8	0BBD554E1	18819CA3B9	0	0	1	1	0	01	00	00
344	105	0B7FE62	462E4FF1	177AAA9C2	3103394772	1	0	0	0	0	00	01	00
345	106	16FFCC5	0C5C9FE2	0EF555384	6206728EE4	0	0	1	0	1	11	00	01
346	107	0DFF98A	18B93FC4	1DEAAA709	440CE51DC9	1	1	1	0	0	00	11	00
347	108	1BFF315	31727F88	1BD554E12	0819CA3B93	1	0	1	0	0	11	00	11
348	109	17FE62A	62E4FF11	17AAA9C24	1033947726	0	1	0	0	0	01	11	00
349	110	0FFCC54	45C9FE22	0F5553849	206728EE4C	1	1	1	0	0	01	01	11
350	111	1FF98A8	0B93FC44	1EAAA7093	40CE51DC99	1	1	1	1	1	00	01	01
351	112	1FF3150	1727F889	1D554E127	019CA3B933	1	0	1	1	1	10	00	01
352	113	1FE62A0	2E4FF112	1AAA9C24F	0339477267	1	0	1	0	0	00	10	00
353	114	1FCC541	5C9FE225	15553849E	06728EE4CF	1	1	0	0	0	00	00	10
354	115	1F98A82	393FC44B	0AAA7093C	0CE51DC99F	1	0	1	1	1	01	00	00
355	116	1F31504	727F8897	1554E1279	19CA3B933E	1	0	0	1	1	00	01	00
356	117	1E62A09	64FF112F	0AA9C24F2	339477267D	1	1	1	1	0	01	00	01
357	118	1CC5412	49FE225E	1553849E4	6728EE4CFB	1	1	0	0	1	00	01	00
358	119	198A824	13FC44BC	0AA7093C9	4E51DC99F7	1	1	1	0	1	10	00	01
359	120	1315049	27F88979	154E12792	1CA3B933EE	0	1	0	1	0	00	10	00
360	121	062A093	4FF112F3	0A9C24F24	39477267DC	0	1	1	0	0	00	00	10
361	122	0C54127	1FE225E6	153849E48	728EE4CFB8	1	1	0	1	1	01	00	00
362	123	18A824E	3FC44BCD	0A7093C91	651DC99F71	1	1	1	0	0	11	01	00
363	124	115049C	7F88979A	14E127922	4A3B933EE2	0	1	0	0	0	10	11	01
364	125	02A0938	7F112F35	09C24F244	1477267DC5	0	0	1	0	1	01	10	11

Sample Data



1.1.4 Third set of samples

Initial values for the key, BD_ADDR and clock

K_session[0] = FF K_session[1] = FF K_session[2] = FF K_session[3] = FF
 K_session[4] = FF K_session[5] = FF K_session[6] = FF K_session[7] = FF
 K_session[8] = FF K_session[9] = FF K_session[10] = FF K_session[11] = FF
 K_session[12] = FF K_session[13] = FF K_session[14] = FF K_session[15] = FF

BD_ADDR_C[0] = FF BD_ADDR_C[1] = FF BD_ADDR_C[2] = FF
 BD_ADDR_C[3] = FF BD_ADDR_C[4] = FF BD_ADDR_C[5] = FF

CL[0] = FF CL[1] = FF CL[2] = FF CL[3] = 03

The corresponding values of CLK are 0x7FF_FFFE and 0xFFF_FFFE.

=====
 Fill LFSRs with initial data
 =====

t	clk#	LFSR1	LFSR2	LFSR3	LFSR4	X1	X2	X3	X4	Z	C[t+1]	C[t]	C[t-1]
0	0	0000000*	00000000*	000000000*	0000000000*	0	0	0	0	0	00	00	00
1	1	0000001*	00000001*	000000001*	0000000001*	0	0	0	0	0	00	00	00
2	2	0000003*	00000002*	000000003*	0000000003*	0	0	0	0	0	00	00	00
3	3	0000007*	00000004*	000000007*	0000000007*	0	0	0	0	0	00	00	00
4	4	000000F*	00000009*	00000000F*	000000000F*	0	0	0	0	0	00	00	00
5	5	000001F*	00000013*	00000001F*	000000001F*	0	0	0	0	0	00	00	00
6	6	000003F*	00000027*	00000003F*	000000003F*	0	0	0	0	0	00	00	00
7	7	000007F*	0000004F*	00000007F*	000000007F*	0	0	0	0	0	00	00	00
8	8	00000FF*	0000009F*	0000000FF*	00000000FF*	0	0	0	0	0	00	00	00
9	9	00001FF*	0000013F*	0000001FF*	00000001FF*	0	0	0	0	0	00	00	00
10	10	00003FF*	0000027F*	0000003FF*	00000003FF*	0	0	0	0	0	00	00	00
11	11	00007FF*	000004FF*	0000007FF*	00000007FF*	0	0	0	0	0	00	00	00
12	12	0000FFF*	000009FF*	000000FFF*	0000000FFF*	0	0	0	0	0	00	00	00
13	13	0001FFF*	000013FF*	000001FFF*	0000001FFF*	0	0	0	0	0	00	00	00
14	14	0003FFF*	000027FF*	000003FFF*	0000003FFF*	0	0	0	0	0	00	00	00
15	15	0007FFF*	00004FFF*	000007FFF*	0000007FFF*	0	0	0	0	0	00	00	00
16	16	000FFFF*	00009FFF*	00000FFFF*	000000FFFF*	0	0	0	0	0	00	00	00
17	17	001FFFF*	00013FFF*	00001FFFF*	000001FFFF*	0	0	0	0	0	00	00	00
18	18	003FFFF*	00027FFF*	00003FFFF*	000003FFFF*	0	0	0	0	0	00	00	00
19	19	007FFFF*	0004FFF*	00007FFFF*	000007FFFF*	0	0	0	0	0	00	00	00
20	20	00FFFF*	0009FFF*	0000FFFF*	00000FFFF*	0	0	0	0	0	00	00	00
21	21	01FFFF*	0013FFF*	0001FFFF*	00001FFFF*	0	0	0	0	0	00	00	00
22	22	03FFFF*	0027FFF*	0003FFFF*	00003FFFF*	0	0	0	0	0	00	00	00
23	23	07FFFF*	004FFF*	0007FFFF*	00007FFFF*	0	0	0	0	0	00	00	00
24	24	0FFFFFF*	009FFF*	000FFFFFF*	0000FFFFFF*	1	1	0	0	0	01	00	00
25	25	1FFFFFF*	013FFF*	001FFFFFF*	0001FFFFFF*	1	0	0	0	1	00	00	00
26	26	1FFFFFF*	027FFF*	003FFFFFF*	0003FFFFFF*	1	0	0	0	1	00	00	00
27	27	1FFFFFF*	04FFF*	007FFFFFF*	0007FFFFFF*	1	1	0	0	0	01	00	00
28	28	1FFFFFF*	09FFF*	00FFFFFF*	000FFFFFF*	1	1	0	0	0	01	00	00
29	29	1FFFFFF*	13FFF*	01FFFFFF*	001FFFFFF*	1	1	0	0	0	01	00	00
30	30	1FFFFFF*	27FFF*	03FFFFFF*	003FFFFFF*	1	1	0	0	0	01	00	00
31	31	1FFFFFF*	4FFF*	07FFFFFF*	007FFFFFF*	1	1	0	0	0	01	00	00
32	32	1FFFFFF*	1FFF*	0FFFFFF*	00FFFFFF*	1	1	1	1	0	10	00	00

Sample Data



33	33	1FFFFFF	3FFFFFFE	1FFFFFFF*	01FFFFFFF*	1	1	1	1	0	10	00	00
34	34	1FFFFFF	7FFFFFFC	1FFFFFFF	03FFFFFFF*	1	1	1	1	0	10	00	00
35	35	1FFFFFF	7FFFFFF9	1FFFFFFF	07FFFFFFF*	1	1	1	1	0	10	00	00
36	36	1FFFFFF	7FFFFFF3	1FFFFFFF	0FFFFFFF*	1	1	1	1	0	10	00	00
37	37	1FFFFFF	7FFFFFFE7	1FFFFFFF	1FFFFFFF*	1	1	1	1	0	10	00	00
38	38	1FFFFFF	7FFFFFFC	1FFFFFFF	3FFFFFFF*	1	1	1	1	0	10	00	00
39	39	1FFFFFF	7FFFFFF9F	1FFFFFFF	7FFFFFFF*	1	1	1	1	0	10	00	00
=====													
Start clocking Summation Combiner													
=====													
40	1	1FFFFFF	7FFFFFF3F	1FFFFFFF	7FFFFFFF	1	1	1	1	0	01	10	00
41	2	1FFFFFF	7FFFFFFE7F	1FFFFFFF	7FFFFFFF	1	1	1	1	1	10	01	10
42	3	1FFFFFF	7FFFCFF	1FFFFFFF	7FFFFFFF	1	1	1	1	0	10	10	01
43	4	1FFFFFF	7FFFF9FF	1FFFFFFF	7FFFFFFF	1	1	1	1	0	00	10	10
44	5	1FFFFFF	7FFFF3FF	1FFFFFFF	7FFFFFFF	1	1	1	1	0	11	00	10
45	6	1FFFFFF	7FFE7FE	1FFFFFFF	7FFFFFFF	1	1	1	1	1	00	11	00
46	7	1FFFFFF	7FFCFFC	1FFFFFFF	7FFFFFFF	1	1	1	1	0	00	00	11
47	8	1FFFFFF	7FF9FF9	1FFFFFFF	7FFFFFFF	1	1	1	1	0	10	00	00
48	9	1FFFFFF	7FF3FF3	1FFFFFFF	7FFFFFFF	1	1	1	1	0	01	10	00
49	10	1FFFFFF	7FFE7FE6	1FFFFFFF	7FFFFFFF	1	1	1	1	1	10	01	10
50	11	1FFFFFFE	7FCFFCC	1FFFFFFE	7FFFFFFF	1	1	1	1	0	10	10	01
51	12	1FFFFC	7FF9FF99	1FFFFFC	7FFFFFFF	1	1	1	1	0	00	10	10
52	13	1FFFF8	7FF3FF33	1FFFFF8	7FFFFFFF	1	1	1	1	0	11	00	10
53	14	1FFFF0	7FE7FE67	1FFFFF0	7FFFFFFF	1	1	1	1	1	00	11	00
54	15	1FFFFE0	7CFFCCF	1FFFFE1	7FFFFFFF	1	1	1	1	0	00	00	11
55	16	1FFFFC0	7F9FF99F	1FFFFC3	7FFFFFFF	1	1	1	1	0	10	00	00
56	17	1FFFF80	7F3FF33E	1FFFF87	7FFFFFFE	1	0	1	1	1	00	10	00
57	18	1FFFF00	7E7FE67C	1FFFF0F	7FFFFFFFC	1	0	1	1	1	00	00	10
58	19	1FFFE01	7CFFCCF8	1FFFE1E	7FFFFFFF8	1	1	1	1	0	10	00	00
59	20	1FFFC03	79FF99F0	1FFFC3C	7FFFFFFF0	1	1	1	1	0	01	10	00
60	21	1FFF807	73FF33E0	1FFF878	7FFFFFFE1	1	1	1	1	1	10	01	10
61	22	1FFF00F	67FE67C0	1FFF0F0	7FFFFFFFC3	1	1	1	1	0	10	10	01
62	23	1FFE01E	4FFCCF80	1FFE1E1	7FFFFFFF87	1	1	1	1	0	00	10	10
63	24	1FFC03C	1FF99F00	1FFC3C3	7FFFFFFF0F	1	1	1	1	0	11	00	10
64	25	1FF8078	3FF33E01	1FF8787	7FFFFFFE1E	1	1	1	1	1	00	11	00
65	26	1FF00F0	7FE67C02	1FFF0F0F	7FFFFFFFC3C	1	1	1	1	0	00	00	11
66	27	1FE01E1	7CFFCCF805	1FFE1E1E	7FFFFFFF878	1	1	1	1	0	10	00	00
67	28	1FC03C3	7F99F00A	1FFC3C3C	7FFFFFFF0F0	1	1	1	1	0	01	10	00
68	29	1F80787	7F33E015	1FF87878	7FFFFFFE1E1	1	0	1	1	0	10	01	10
69	30	1F00F0F	7E67C02A	1FFF0F0F0	7FFFFFFFC3C3	1	0	1	1	1	11	10	01
70	31	1E01E1E	7CCF8054	1FE1E1E1	7FFFFFFF8787	1	1	1	1	1	01	11	10
71	32	1C03C3C	799F00A9	1FC3C3C3	7FFFFFFF0F0F	1	1	1	1	1	01	01	11
72	33	1807878	733E0152	1FF878787	7FFFFFFE1E1E	1	0	1	1	0	00	01	01
73	34	100F0F0	667C02A5	1FF0F0F0F	7FFFFFFFC3C3C	0	0	1	1	0	10	00	01
74	35	001E1E0	4CF8054B	1FE1E1E1F	7FFF87878	0	1	1	1	1	00	10	00
75	36	003C3C1	19F00A96	1FC3C3C3F	7FFF0F0F0	0	1	1	1	1	00	00	10
76	37	0078783	33E0152C	1F878787F	7FFE1E1E1E	0	1	1	1	1	01	00	00
77	38	00F0F07	67C02A59	1F0F0F0FF	7FFFC3C3C3	0	1	1	1	0	11	01	00
78	39	01E1E0E	4F8054B3	1E1E1E1FF	7FFF878787	0	1	1	1	0	11	11	01
79	40	03C3C1C	1F00A966	1C3C3C3FF	7FFF0F0F0F	0	0	1	1	1	11	11	11
80	41	0787838	3E0152CC	1878787FF	7FE1E1E1E	0	0	1	1	1	11	11	11
81	42	0F0F070	7C02A598	10F0F0FFF	7FFC3C3C3C	1	0	0	1	1	11	11	11
82	43	1E1E0E0	78054B30	01E1E1FFF	7FF8787878	1	0	0	1	1	11	11	11
83	44	1C3C1C0	700A9660	03C3C3FFE	7FF0F0F0F0	1	0	0	1	1	11	11	11
84	45	1878380	60152CC0	078787FFC	7FE1E1E1E0	1	0	0	1	1	11	11	11
85	46	10F0700	402A5980	0F0F0FFF8	7FC3C3C3C0	0	0	1	1	1	11	11	11
86	47	01E0E00	0054B300	1E1E1FFF0	7F87878780	0	0	1	1	1	11	11	11

Sample Data



87	48	03C1C00	00A96601	1C3C3FFE0	7F0F0F0F00	0	1	1	0	1	11	11	11
88	49	0783800	0152CC03	18787FFC0	7E1E1E1E01	0	0	1	0	0	11	11	11
89	50	0F07000	02A59806	10F0FFF80	7C3C3C3C03	1	1	0	0	1	11	11	11
90	51	1E0E000	054B300D	01E1FFF00	7878787807	1	0	0	0	0	11	11	11
91	52	1C1C001	0A96601A	03C3FFE01	70F0F0F00F	1	1	0	1	0	10	11	11
92	53	1838003	152CC035	0787FFC03	61E1E1E01E	1	0	0	1	0	10	10	11
93	54	1070007	2A59806B	0F0FFF807	43C3C3C03C	0	0	1	1	0	01	10	10
94	55	00E000F	54B300D7	1E1FFF00F	0787878078	0	1	1	1	0	10	01	10
95	56	01C001F	296601AE	1C3FFE01F	0F0F0F00F1	0	0	1	0	1	00	10	01
96	57	038003F	52CC035C	187FFC03F	1E1E1E01E2	0	1	1	0	0	00	00	10
97	58	070007F	259806B8	10FFF807F	3C3C3C03C4	0	1	0	0	1	00	00	00
98	59	0E000FE	4B300D71	01FFF00FE	7878780788	1	0	0	0	1	00	00	00
99	60	1C001FD	16601AE2	03FFE01FD	70F0F00F10	1	0	0	1	0	01	00	00
100	61	18003FA	2CC035C5	07FFC03FB	61E1E01E21	1	1	0	1	0	11	01	00
101	62	10007F4	59806B8B	0FFF807F7	43C3C03C43	0	1	1	1	0	11	11	01
102	63	0000FE8	3300D717	1FFF00FEE	0787807887	0	0	1	1	1	11	11	11
103	64	0001FD0	6601AE2F	1FFE01FDC	0F0F00F10E	0	0	1	0	0	11	11	11
104	65	0003FA0	4C035C5F	1FFC03FB8	1E1E01E21D	0	0	1	0	0	11	11	11
105	66	0007F40	1806B8BE	1FF807F70	3C3C03C43B	0	0	1	0	0	11	11	11
106	67	000FE81	300D717C	1FF00FEE1	7878078877	0	0	1	0	0	11	11	11
107	68	001FD02	601AE2F8	1FE01FDC2	70F00F10EF	0	0	1	1	1	11	11	11
108	69	003FA05	4035C5F0	1FC03FB84	61E01E21DE	0	0	1	1	1	11	11	11
109	70	007F40B	006B8BE0	1F807F708	43C03C43BC	0	0	1	1	1	11	11	11
110	71	00FE816	00D717C0	1F00FEE11	0780788778	0	1	1	1	0	10	11	11
111	72	01FD02C	01AE2F81	1E01FDC23	0F00F10EF1	0	1	1	0	0	10	10	11
112	73	03FA059	035C5F02	1C03FB847	1E01E21DE3	0	0	1	0	1	10	10	10
113	74	07F40B3	06B8BE05	1807F708F	3C03C43BC7	0	1	1	0	0	01	10	10
114	75	0FE8166	0D717C0B	100FEE11E	780788778F	1	0	0	0	0	01	01	10
115	76	1FD02CD	1AE2F817	001FDC23D	700F10EF1F	1	1	0	0	1	11	01	01
116	77	1FA059B	35C5F02F	003FB847A	601E21DE3F	1	1	0	0	1	10	11	01
117	78	1F40B37	6B8BE05E	007F708F4	403C43BC7F	1	1	0	0	0	10	10	11
118	79	1E8166E	5717C0BD	00FEE11E9	00788778FF	1	0	0	0	1	10	10	10
119	80	1D02CDC	2E2F817A	01FDC23D3	00F10EF1FE	1	0	0	1	0	01	10	10
120	81	1A059B9	5C5F02F5	03FB847A6	01E21DE3FD	1	0	0	1	1	01	01	10
121	82	140B373	38BE05EB	07F708F4C	03C43BC7FB	0	1	0	1	1	11	01	01
122	83	08166E7	717C0BD7	0FEE11E98	0788778FF7	1	0	1	1	0	11	11	01
123	84	102CDCF	62F817AE	1FDC23D31	0F10EF1FEF	0	1	1	0	1	11	11	11
124	85	0059B9F	45F02F5C	1FB847A63	1E21DE3FDE	0	1	1	0	1	11	11	11
125	86	00B373E	0BE05EB9	1F708F4C7	3C43BC7FBC	0	1	1	0	1	11	11	11
126	87	0166E7D	17C0BD72	1EE11E98F	788778FF78	0	1	1	1	0	10	11	11
127	88	02CDCFB	2F817AE5	1DC23D31F	710EF1FEF1	0	1	1	0	0	10	10	11
128	89	059B9F7	5F02F5CA	1B847A63F	621DE3FDE2	0	0	1	0	1	10	10	10
129	90	0B373EF	3E05EB94	1708F4C7F	443BC7FBC4	1	0	0	0	1	10	10	10
130	91	166E7DF	7C0BD728	0E11E98FF	08778FF788	0	0	1	0	1	10	10	10
131	92	0CDCFBE	7817AE50	1C23D31FF	10EF1FEF10	1	0	1	1	1	01	10	10
132	93	19B9F7D	702F5CA1	1847A63FE	21DE3FDE21	1	0	1	1	0	10	01	10
133	94	1373EFB	605EB942	108F4C7FC	43BC7FBC43	0	0	0	1	1	00	10	01
134	95	06E7DF7	40BD7285	011E98FF8	0778FF7886	0	1	0	0	1	01	00	10
135	96	0DCFBEF	017AE50A	023D31FF0	0EF1FEF10D	1	0	0	1	1	00	01	00
136	97	1B9F7DF	02F5CA15	047A63FE1	1DE3FDE21A	1	1	0	1	1	10	00	01
137	98	173EFBF	05EB942B	08F4C7FC3	3BC7FBC434	0	1	1	1	1	00	10	00
138	99	0E7DF7F	0BD72856	11E98FF87	778FF78869	1	1	0	1	1	00	00	10
139	100	1CFBEFF	17AE50AC	03D31FF0F	6F1FEF10D3	1	1	0	0	0	01	00	00
140	101	19F7DFE	2F5CA159	07A63FE1E	5E3FDE21A7	1	0	0	0	0	00	01	00
141	102	13EFBFC	5EB942B3	0F4C7FC3C	3C7FBC434F	0	1	1	0	0	10	00	01
142	103	07DF7F8	3D728566	1E98FF878	78FF78869F	0	0	1	1	0	00	10	00
143	104	0FBEFF0	7AE50ACD	1D31FF0F0	71FEF10D3E	1	1	1	1	0	11	00	10

Sample Data



144	105	1F7DFE1	75CA159B	1A63FE1E1	63FDE21A7D	1	1	1	1	1	00	11	00
145	106	1EFBFC3	6B942B36	14C7FC3C3	47FBC434FB	1	1	0	1	1	11	00	11
146	107	1DF7F86	5728566D	098FF8786	0FF78869F7	1	0	1	1	0	00	11	00
147	108	1BEFF0C	2E50ACDB	131FF0F0C	1FEF10D3EF	1	0	0	1	0	11	00	11
148	109	17DFE19	5CA159B6	063FE1E19	3FDE21A7DF	0	1	0	1	1	01	11	00
149	110	0FBFC33	3942B36D	0C7FC3C32	7FBC434FBF	1	0	1	1	0	01	01	11
150	111	1F7F866	728566DB	18FF87865	7F78869F7E	1	1	1	0	0	00	01	01
151	112	1EFF0CC	650ACDB6	11FF0F0CB	7EF10D3EFC	1	0	0	1	0	10	00	01
152	113	1DFE199	4A159B6D	03FE1E196	7DE21A7DF9	1	0	0	1	0	00	10	00
153	114	1BFC333	142B36DB	07FC3C32C	7BC434FBF3	1	0	0	1	0	00	00	10
154	115	17F8666	28566DB6	0FF878659	778869F7E6	0	0	1	1	0	01	00	00
155	116	0FF0CCC	50ACDB6D	1FF0F0CB3	6F10D3EFCC	1	1	1	0	0	11	01	00
156	117	1FE1999	2159B6DA	1FE1E1966	5E21A7DF99	1	0	1	0	1	10	11	01
157	118	1FC3332	42B36DB5	1FC3C32CC	3C434FBF33	1	1	1	0	1	10	10	11
158	119	1F86664	0566DB6B	1F8786599	78869F7E67	1	0	1	1	1	01	10	10
159	120	1F0CCC8	0ACDB6D6	1F0F0CB33	710D3EFCCE	1	1	1	0	0	10	01	10
160	121	1E19991	159B6DAC	1E1E19666	621A7DF99D	1	1	1	0	1	11	10	01
161	122	1C33323	2B36DB58	1C3C32CCC	4434FBF33B	1	0	1	0	1	00	11	10
162	123	1866647	566DB6B0	187865999	0869F7E676	1	0	1	0	0	11	00	11
163	124	10CCC8F	2CDB6D60	10F0CB333	10D3EFCCEC	0	1	0	1	1	01	11	00
164	125	019991E	59B6DAC0	01E196666	21A7DF99D9	0	1	0	1	1	10	01	11
165	126	033323C	336DB580	03C32CCCD	434FBF33B3	0	0	0	0	0	00	10	01
166	127	0666478	66DB6B01	07865999A	069F7E6766	0	1	0	1	0	00	00	10
167	128	0CCC8F0	4DB6D603	0F0CB3334	0D3EFCCECD	1	1	1	0	1	01	00	00
168	129	19991E1	1B6DAC07	1E1966669	1A7DF99D9B	1	0	1	0	1	00	01	00
169	130	13323C3	36DB580E	1C32CCCD3	34FBF33B37	0	1	1	1	1	10	00	01
170	131	0664786	6DB6B01C	1865999A7	69F7E6766F	0	1	1	1	1	00	10	00
171	132	0CC8F0D	5B6D6039	10CB3334F	53EFCCECDF	1	0	0	1	0	00	00	10
172	133	1991E1A	36DAC073	01966669E	27DF99D9BF	1	1	0	1	1	01	00	00
173	134	1323C35	6DB580E6	032CCCD3C	4FBF33B37E	0	1	0	1	1	00	01	00
174	135	064786A	5B6B01CD	065999A78	1F7E6766FC	0	0	0	0	0	11	00	01
175	136	0C8F0D5	36D6039B	0CB3334F0	3EFCCECDF9	1	1	1	1	1	00	11	00
176	137	191E1AA	6DAC0737	1966669E1	7DF99D9BF3	1	1	1	1	0	00	00	11
177	138	123C354	5B580E6E	12CCCD3C3	7BF33B37E7	0	0	0	1	1	00	00	00
178	139	04786A9	36B01CDC	05999A787	77E6766FCE	0	1	0	1	0	01	00	00
179	140	08F0D53	6D6039B8	0B3334F0E	6FCCECDF9C	1	0	1	1	0	11	01	00
180	141	11E1AA6	5AC07370	166669E1D	5F99D9BF38	0	1	0	1	1	10	11	01
181	142	03C354C	3580E6E0	0CCCD3C3A	3F33B37E70	0	1	1	0	0	10	10	11
182	143	0786A99	6B01CDC0	1999A7875	7E6766FCE1	0	0	1	0	1	10	10	10
183	144	0F0D533	56039B81	13334F0EB	7CCECDF9C2	1	0	0	1	0	01	10	10
184	145	1E1AA66	2C073703	06669E1D6	799D9BF385	1	0	0	1	1	01	01	10
185	146	1C354CC	580E6E06	0CCD3C3AC	733B37E70B	1	0	1	0	1	11	01	01
186	147	186A998	301CDC0C	199A78759	66766FCE17	1	0	1	0	1	10	11	01
187	148	10D5331	6039B818	1334F0EB2	4CECDF9C2F	0	0	0	1	1	01	10	11
188	149	01AA662	40737031	0669E1D65	19D9BF385E	0	0	0	1	0	01	01	10
189	150	0354CC5	00E6E063	0CD3C3ACB	33B37E70BD	0	1	1	1	0	00	01	01
190	151	06A998A	01CDC0C6	19A787596	6766FCE17B	0	1	1	0	0	10	00	01
191	152	0D53315	039B818C	134F0EB2C	4ECD9C2F6	1	1	0	1	1	00	10	00
192	153	1AA662A	07370318	069E1D659	1D9BF385ED	1	0	0	1	0	00	00	10
193	154	154CC54	0E6E0630	0D3C3ACB3	3B37E70BDB	0	0	1	0	1	00	00	00
194	155	0A998A8	1CDC0C60	1A7875967	766FCE17B6	1	1	1	0	1	01	00	00
195	156	1533151	39B818C0	14F0EB2CE	6CDF9C2F6C	0	1	0	1	1	00	01	00
196	157	0A662A3	73703180	09E1D659D	59BF385ED8	1	0	1	1	1	10	00	01
197	158	14CC547	66E06301	13C3ACB3A	337E70BDB0	0	1	0	0	1	11	10	00
198	159	0998A8E	4DC0C602	078759675	66FCE17B61	1	1	0	1	0	01	11	10
199	160	133151D	1B818C05	0F0EB2CEB	4DF9C2F6C2	0	1	1	1	0	01	01	11
200	161	0662A3B	3703180B	1E1D659D6	1BF385ED85	0	0	1	1	1	11	01	01

Sample Data



201	162	0CC5477	6E063017	1C3ACB3AC	37E70BDB0B	1	0	1	1	0	11	11	01
202	163	198A8EF	5C0C602F	187596759	6FCE17B617	1	0	1	1	0	10	11	11
203	164	13151DE	3818C05F	10EB2CEB2	5F9C2F6C2F	0	0	0	1	1	01	10	11
204	165	062A3BC	703180BF	01D659D65	3F385ED85E	0	0	0	0	1	00	01	10
205	166	0C54779	6063017E	03ACB3ACB	7E70BDB0BD	1	0	0	0	1	11	00	01
206	167	18A8EF2	40C602FD	075967597	7CE17B617B	1	1	0	1	0	00	11	00
207	168	1151DE4	018C05FA	0EB2CEB2F	79C2F6C2F7	0	1	1	1	1	11	00	11
208	169	02A3BC9	03180BF5	1D659D65E	7385ED85EE	0	0	1	1	1	01	11	00
209	170	0547793	063017EB	1ACB3ACBC	670BDB0BDC	0	0	1	0	0	10	01	11
210	171	0A8EF27	0C602FD6	159675978	4E17B617B9	1	0	0	0	1	00	10	01
211	172	151DE4E	18C05FAD	0B2CEB2F1	1C2F6C2F73	0	1	1	0	0	00	00	10
212	173	0A3BC9C	3180BF5A	1659D65E3	385ED85EE6	1	1	0	0	0	01	00	00
213	174	1477938	63017EB5	0CB3ACBC6	70BDB0BDCC	0	0	1	1	1	00	01	00
214	175	08EF270	4602FD6A	19675978D	617B617B99	1	0	1	0	0	10	00	01
215	176	11DE4E1	0C05FAD5	12CEB2F1A	42F6C2F733	0	0	0	1	1	11	10	00
216	177	03BC9C3	180BF5AA	059D65E34	05ED85EE67	0	0	0	1	0	00	11	10
217	178	0779387	3017EB55	0B3ACBC68	0BDB0BDCCF	0	0	1	1	0	11	00	11
218	179	0EF270F	602FD6AA	1675978D0	17B617B99F	1	0	0	1	1	01	11	00
219	180	1DE4E1F	405FAD54	0CEB2F1A1	2F6C2F733F	1	0	1	0	1	10	01	11
220	181	1BC9C3F	00BF5AA9	19D65E342	5ED85EE67F	1	1	1	1	0	10	10	01
221	182	179387F	017EB552	13ACBC684	3DB0BDCCFE	0	0	0	1	1	10	10	10
222	183	0F270FF	02FD6AA5	075978D09	7B617B99FC	1	1	0	0	0	01	10	10
223	184	1E4E1FF	05FAD54A	0EB2F1A12	76C2F733F9	1	1	1	1	1	10	01	10
224	185	1C9C3FE	0BF5AA94	1D65E3425	6D85EE67F2	1	1	1	1	0	10	10	01
225	186	19387FD	17EB5529	1ACBC684B	5B0BDCCFE4	1	1	1	0	1	01	10	10
226	187	1270FFA	2FD6AA53	15978D096	3617B99FC9	0	1	0	0	0	01	01	10
227	188	04E1FF5	5FAD54A7	0B2F1A12C	6C2F733F93	0	1	1	0	1	11	01	01
228	189	09C3FEB	3F5AA94E	165E34258	585EE67F27	1	0	0	0	0	10	11	01
229	190	1387FD7	7EB5529C	0CBC684B1	30BDCCFE4F	0	1	1	1	1	10	10	11
230	191	070FFAE	7D6AA538	1978D0962	617B99FC9E	0	0	1	0	1	10	10	10
231	192	0E1FF5C	7AD54A70	12F1A12C4	42F733F93D	1	1	0	1	1	01	10	10
232	193	1C3FEB9	75AA94E1	05E342588	05EE67F27A	1	1	0	1	0	10	01	10
233	194	187FD73	6B5529C3	0BC684B10	0BDCCFE4F4	1	0	1	1	1	11	10	01
234	195	10FFAE6	56AA5386	178D09621	17B99FC9E8	0	1	0	1	1	00	11	10
235	196	01FF5CC	2D54A70C	0F1A12C43	2F733F93D0	0	0	1	0	1	10	00	11
236	197	03FEB98	5AA94E19	1E3425887	5EE67F27A1	0	1	1	1	1	00	10	00
237	198	07FD731	35529C33	1C684B10F	3DCCFE4F42	0	0	1	1	0	00	00	10
238	199	0FFAE63	6AA53866	18D09621F	7B99FC9E84	1	1	1	1	0	10	00	00
239	200	1FF5CC6	554A70CD	11A12C43F	7733F93D09	1	0	0	0	1	11	10	00

- Z[0] = 59
- Z[1] = 3B
- Z[2] = EF
- Z[3] = 07
- Z[4] = 13
- Z[5] = 70
- Z[6] = 9B
- Z[7] = B7
- Z[8] = 52
- Z[9] = 8F
- Z[10] = 3E
- Z[11] = B9
- Z[12] = A5
- Z[13] = AC
- Z[14] = EA
- Z[15] = 9E

Sample Data



```
=====
Reload this pattern into the LFSRs
Hold content of Summation Combiner regs and calculate new C[t+1] and Z values
=====
```

```
LFSR1 <= 1521359
LFSR2 <= 528F703B
LFSR3 <= 0AC3E9BEF
LFSR4 <= 4FEAB9B707
C[t+1] <= 00
```

```
=====
Generating 125 key symbols (encryption/decryption sequence)
=====
```

240	1	1521359	528F703B	0AC3E9BEF	4FEAB9B707	0	1	1	1	1	00	10	00
241	2	0A426B3	251EE076	1587D37DE	1FD5736E0F	1	0	0	1	0	00	00	10
242	3	1484D67	4A3DC0ED	0B0FA6FBD	3FAAE6DC1E	0	0	1	1	0	01	00	00
243	4	0909ACF	147B81DA	161F4DF7A	7F55CDB83D	1	0	0	0	0	00	01	00
244	5	121359E	28F703B5	0C3E9BEF5	7EAB9B707B	0	1	1	1	1	10	00	01
245	6	0426B3C	51EE076B	187D37DEB	7D5736E0F6	0	1	1	0	0	00	10	00
246	7	084D679	23DC0ED6	10FA6FBD7	7AAE6DC1EC	1	1	0	1	1	00	00	10
247	8	109ACF2	47B81DAC	01F4DF7AF	755CDB83D8	0	1	0	0	1	00	00	00
248	9	01359E4	0F703B59	03E9BEF5E	6AB9B707B1	0	0	0	1	1	00	00	00
249	10	026B3C8	1EE076B3	07D37DEBD	55736E0F63	0	1	0	0	1	00	00	00
250	11	04D6791	3DC0ED67	0FA6FBD7A	2AE6DC1EC7	0	1	1	1	1	01	00	00
251	12	09ACF22	7B81DACF	1F4DF7AF4	55CDB83D8F	1	1	1	1	1	11	01	00
252	13	1359E44	7703B59E	1E9BEF5E8	2B9B707B1F	0	0	1	1	1	10	11	01
253	14	06B3C88	6E076B3C	1D37DEBD0	5736E0F63F	0	0	1	0	1	01	10	11
254	15	0D67911	5C0ED678	1A6FBD7A1	2E6DC1EC7E	1	0	1	0	1	01	01	10
255	16	1ACF223	381DACF0	14DF7AF42	5CDB83D8FD	1	0	0	1	1	11	01	01
256	17	159E446	703B59E0	09BEF5E85	39B707B1FA	0	0	1	1	1	10	11	01
257	18	0B3C88C	6076B3C0	137DEBD0A	736E0F63F4	1	0	0	0	1	01	10	11
258	19	1679118	40ED6780	06FBD7A15	66DC1EC7E8	0	1	0	1	1	01	01	10
259	20	0CF2231	01DACF00	0DF7AF42A	4DB83D8FD1	1	1	1	1	1	00	01	01
260	21	19E4463	03B59E01	1BEF5E854	1B707B1FA3	1	1	1	0	1	10	00	01
261	22	13C88C6	076B3C03	17DEBD0A9	36E0F63F47	0	0	0	1	1	11	10	00
262	23	079118C	0ED67807	0FBD7A152	6DC1EC7E8E	0	1	1	1	0	01	11	10
263	24	0F22318	1DACF00E	1F7AF42A4	5B83D8FD1D	1	1	1	1	1	01	01	11
264	25	1E44630	3B59E01C	1EF5E8548	3707B1FA3B	1	0	1	0	1	11	01	01
265	26	1C88C61	76B3C039	1DEBD0A91	6E0F63F477	1	1	1	0	0	11	11	01
266	27	19118C3	6D678073	1BD7A1523	5C1EC7E8EF	1	0	1	0	1	11	11	11
267	28	1223187	5ACF00E6	17AF42A46	383D8FD1DE	0	1	0	0	0	11	11	11
268	29	044630E	359E01CC	0F5E8548D	707B1FA3BD	0	1	1	0	1	11	11	11
269	30	088C61C	6B3C0399	1EBD0A91A	60F63F477B	1	0	1	1	0	10	11	11
270	31	1118C39	56780733	1D7A15234	41EC7E8EF6	0	0	1	1	0	10	10	11
271	32	0231872	2CF00E67	1AF42A468	03D8FD1DEC	0	1	1	1	1	01	10	10
272	33	04630E5	59E01CCE	15E8548D1	07B1FA3BD8	0	1	0	1	1	01	01	10
273	34	08C61CB	33C0399D	0BD0A91A3	0F63F477B1	1	1	1	0	0	00	01	01
274	35	118C396	6780733A	17A152347	1EC7E8EF63	0	1	0	1	0	10	00	01
275	36	031872D	4F00E674	0F42A468E	3D8FD1DEC7	0	0	1	1	0	00	10	00
276	37	0630E5A	1E01CCE8	1E8548D1D	7B1FA3BD8E	0	0	1	0	1	01	00	10
277	38	0C61CB5	3C0399D0	1D0A91A3B	763F477B1C	1	0	1	0	1	00	01	00
278	39	18C396A	780733A0	1A1523477	6C7E8EF639	1	0	1	0	0	10	00	01
279	40	11872D5	700E6741	142A468EF	58FD1DEC72	0	0	0	1	1	11	10	00
280	41	030E5AB	601CCE83	08548D1DF	31FA3BD8E5	0	0	1	1	1	00	11	10
281	42	061CB57	40399D07	10A91A3BF	63F477B1CB	0	0	0	1	1	10	00	11

Sample Data



282	43	0C396AF	00733A0F	01523477E	47E8EF6396	1	0	0	1	0	00	10	00
283	44	1872D5F	00E6741F	02A468EFD	0FD1DEC72C	1	1	0	1	1	00	00	10
284	45	10E5ABE	01CCE83F	0548D1DFA	1FA3BD8E58	0	1	0	1	0	01	00	00
285	46	01CB57C	0399D07F	0A91A3BF4	3F477B1CB0	0	1	1	0	1	00	01	00
286	47	0396AF9	0733A0FE	1523477E9	7E8EF63961	0	0	0	1	1	11	00	01
287	48	072D5F3	0E6741FD	0A468EFD2	7D1DEC72C3	0	0	1	0	0	01	11	00
288	49	0E5ABE7	1CCE83FA	148D1DFA4	7A3BD8E587	1	1	0	0	1	10	01	11
289	50	1CB57CE	399D07F4	091A3BF49	7477B1CB0F	1	1	1	0	1	11	10	01
290	51	196AF9D	733A0FE9	123477E92	68EF63961E	1	0	0	1	1	00	11	10
291	52	12D5F3B	66741FD2	0468EFD25	51DEC72C3C	0	0	0	1	1	10	00	11
292	53	05ABE77	4CE83FA4	08D1DFA4B	23BD8E5879	0	1	1	1	1	00	10	00
293	54	0B57CEE	19D07F49	11A3BF496	477B1CB0F2	1	1	0	0	0	00	00	10
294	55	16AF9DC	33A0FE92	03477E92C	0EF63961E4	0	1	0	1	0	01	00	00
295	56	0D5F3B8	6741FD25	068EFD259	1DEC72C3C9	1	0	0	1	1	00	01	00
296	57	1ABE771	4E83FA4B	0D1DFA4B3	3BD8E58793	1	1	1	1	0	01	00	01
297	58	157CEE2	1D07F496	1A3BF4967	77B1CB0F26	0	0	1	1	1	00	01	00
298	59	0AF9DC5	3A0FE92D	1477E92CE	6F63961E4D	1	0	0	0	1	11	00	01
299	60	15F3B8B	741FD25A	08EFD259C	5EC72C3C9B	0	0	1	1	1	01	11	00
300	61	0BE7716	683FA4B4	11DFA4B39	3D8E587937	1	0	0	1	1	10	01	11
301	62	17CEE2D	507F4968	03BF49672	7B1CB0F26E	0	0	0	0	0	00	10	01
302	63	0F9DC5B	20FE92D0	077E92CE4	763961E4DC	1	1	0	0	0	00	00	10
303	64	1F3B8B6	41FD25A0	0EFD259C9	6C72C3C9B9	1	1	1	0	1	01	00	00
304	65	1E7716D	03FA4B40	1DFA4B393	58E5879373	1	1	1	1	1	11	01	00
305	66	1CEE2DB	07F49680	1BF496727	31CB0F26E6	1	1	1	1	1	11	11	01
306	67	19DC5B7	0FE92D00	17E92CE4E	63961E4DCD	1	1	0	1	0	10	11	11
307	68	13B8B6F	1FD25A00	0FD259C9C	472C3C9B9A	0	1	1	0	0	10	10	11
308	69	07716DF	3FA4B400	1FA4B3938	0E58793735	0	1	1	0	0	01	10	10
309	70	0EE2DBF	7F496800	1F4967271	1CB0F26E6A	1	0	1	1	0	10	01	10
310	71	1DC5B7F	7E92D000	1E92CE4E2	3961E4DCD4	1	1	1	0	1	11	10	01
311	72	1B8B6FF	7D25A001	1D259C9C4	72C3C9B9A9	1	0	1	1	0	01	11	10
312	73	1716DFF	7A4B4002	1A4B39389	6587937352	0	0	1	1	1	10	01	11
313	74	0E2DBFF	74968005	149672713	4B0F26E6A5	1	1	0	0	0	11	10	01
314	75	1C5B7FE	692D000B	092CE4E26	161E4DCD4B	1	0	1	0	1	00	11	10
315	76	18B6FFC	525A0017	1259C9C4D	2C3C9B9A96	1	0	0	0	1	10	00	11
316	77	116DFF8	24B4002F	04B39389B	587937352C	0	1	0	0	1	11	10	00
317	78	02DBFF1	4968005F	096727136	30F26E6A58	0	0	1	1	1	00	11	10
318	79	05B7FE3	12D000BF	12CE4E26C	61E4DCD4B1	0	1	0	1	0	11	00	11
319	80	0B6FFC7	25A0017F	059C9C4D8	43C9B9A963	1	1	0	1	0	00	11	00
320	81	16DFF8E	4B4002FF	0B39389B1	07937352C6	0	0	1	1	0	11	00	11
321	82	0DBFF1C	168005FF	167271363	0F26E6A58C	1	1	0	0	1	01	11	00
322	83	1B7FE38	2D000BFF	0CE4E26C7	1E4DCD4B18	1	0	1	0	1	10	01	11
323	84	16FFC70	5A0017FF	19C9C4D8F	3C9B9A9631	0	0	1	1	0	11	10	01
324	85	0DFF8E1	34002FFF	139389B1E	7937352C62	1	0	0	0	0	00	11	10
325	86	1BFF1C3	68005FFF	07271363D	726E6A58C4	1	0	0	0	1	10	00	11
326	87	17FE387	5000BFFE	0E4E26C7B	64DCD4B188	0	0	1	1	0	00	10	00
327	88	0FFC70F	20017FFD	1C9C4D8F6	49B9A96311	1	0	1	1	1	00	00	10
328	89	1FF8E1F	4002FFFF	19389B1ED	137352C623	1	0	1	0	0	01	00	00
329	90	1FF1C3F	0005FFF7	1271363DB	26E6A58C46	1	0	0	1	1	00	01	00
330	91	1FE387F	000BFFEE	04E26C7B6	4DCD4B188C	1	0	0	1	0	10	00	01
331	92	1FC70FF	0017FFDC	09C4D8F6D	1B9A963118	1	0	1	1	1	00	10	00
332	93	1F8E1FF	002FFFFB	1389B1EDA	37352C6231	1	0	0	0	1	01	00	10
333	94	1F1C3FF	005FFF70	071363DB4	6E6A58C462	1	0	0	0	0	00	01	00
334	95	1E387FE	00BFFEE0	0E26C7B68	5CD4B188C5	1	1	1	1	0	01	00	01
335	96	1C70FFC	017FFDC1	1C4D8F6D1	39A963118A	1	0	1	1	0	11	01	00
336	97	18E1FF9	02FFFFB8	189B1EDA2	7352C62315	1	1	1	0	0	11	11	01
337	98	11C3FF2	05FFF705	11363DB45	66A58C462B	0	1	0	1	1	11	11	11
338	99	0387FE4	0BFFEE0A	026C7B68B	4D4B188C56	0	1	0	0	0	11	11	11

Sample Data



339	100	070FFC9	17FFDC15	04D8F6D16	1A963118AD	0	1	0	1	1	11	11	11
340	101	0E1FF92	2FFFB82B	09B1EDA2C	352C62315A	1	1	1	0	0	10	11	11
341	102	1C3FF24	5FFF7057	1363DB458	6A58C462B4	1	1	0	0	0	10	10	11
342	103	187FE48	3FEE0AE	06C7B68B0	54B188C569	1	1	0	1	1	01	10	10
343	104	10FFC90	7FFDC15C	0D8F6D161	2963118AD2	0	1	1	0	1	01	01	10
344	105	01FF920	7FFB82B9	1B1EDA2C2	52C62315A5	0	1	1	1	0	00	01	01
345	106	03FF240	7FF70573	163DB4584	258C462B4B	0	1	0	1	0	10	00	01
346	107	07FE481	7FEE0AE6	0C7B68B08	4B188C5696	0	1	1	0	0	00	10	00
347	108	0FFC902	7FDC15CD	18F6D1610	163118AD2D	1	1	1	0	1	00	00	10
348	109	1FF9204	7FB82B9A	11EDA2C20	2C62315A5B	1	1	0	0	0	01	00	00
349	110	1FF2408	7F705735	03DB45841	58C462B4B6	1	0	0	1	1	00	01	00
350	111	1FE4810	7EE0AE6B	07B68B082	3188C5696C	1	1	0	1	1	10	00	01
351	112	1FC9021	7DC15CD6	0F6D16105	63118AD2D8	1	1	1	0	1	00	10	00
352	113	1F92042	7B82B9AD	1EDA2C20B	462315A5B0	1	1	1	0	1	00	00	10
353	114	1F24084	7705735A	1DB458416	0C462B4B61	1	0	1	0	0	01	00	00
354	115	1E48108	6E0AE6B5	1B68B082C	188C5696C3	1	0	1	1	0	11	01	00
355	116	1C90211	5C15CD6A	16D161059	3118AD2D86	1	0	0	0	0	10	11	01
356	117	1920422	382B9AD5	0DA2C20B3	62315A5B0D	1	0	1	0	0	10	10	11
357	118	1240845	705735AA	1B4584167	4462B4B61A	0	0	1	0	1	10	10	10
358	119	048108A	60AE6B55	168B082CF	08C5696C34	0	1	0	1	0	01	10	10
359	120	0902114	415CD6AB	0D161059E	118AD2D869	1	0	1	1	0	10	01	10
360	121	1204228	02B9AD56	1A2C20B3D	2315A5B0D2	0	1	1	0	0	11	10	01
361	122	0408451	05735AAD	14584167B	462B4B61A4	0	0	0	0	1	11	11	10
362	123	08108A2	0AE6B55B	08B082CF7	0C5696C348	1	1	1	0	0	10	11	11
363	124	1021144	15CD6AB6	1161059EF	18AD2D8690	0	1	0	1	0	10	10	11
364	125	0042289	2B9AD56C	02C20B3DE	315A5B0D20	0	1	0	0	1	10	10	10

Sample Data



1.1.5 Fourth set of samples

Initial values for the key, BD_ADDR and clock

K_session[0] = 21 K_session[1] = 87 K_session[2] = F0 K_session[3] = 4A
 K_session[4] = BA K_session[5] = 90 K_session[6] = 31 K_session[7] = D0
 K_session[8] = 78 K_session[9] = 0D K_session[10] = 4C K_session[11] = 53
 K_session[12] = E0 K_session[13] = 15 K_session[14] = 3A K_session[15] = 63

BD_ADDR_C[0] = 2C BD_ADDR_C[1] = 7F BD_ADDR_C[2] = 94
 BD_ADDR_C[3] = 56 BD_ADDR_C[4] = 0F BD_ADDR_C[5] = 1B

CL[0] = 5F CL[1] = 1A CL[2] = 00 CL[3] = 02

The corresponding values of CLK are 0x400_34BE and 0xC00_34BE.

=====
 Fill LFSRs with initial data
 =====

t	clk#	LFSR1	LFSR2	LFSR3	LFSR4	X1	X2	X3	X4	Z	C[t+1]	C[t]	C[t-1]
0	0	0000000*	00000000*	000000000*	0000000000*	0	0	0	0	0	00	00	00
1	1	0000000*	00000001*	000000001*	0000000001*	0	0	0	0	0	00	00	00
2	2	0000001*	00000002*	000000002*	0000000003*	0	0	0	0	0	00	00	00
3	3	0000002*	00000004*	000000004*	0000000007*	0	0	0	0	0	00	00	00
4	4	0000004*	00000009*	000000008*	000000000F*	0	0	0	0	0	00	00	00
5	5	0000008*	00000013*	000000010*	000000001E*	0	0	0	0	0	00	00	00
6	6	0000010*	00000027*	000000021*	000000003D*	0	0	0	0	0	00	00	00
7	7	0000021*	0000004F*	000000043*	000000007A*	0	0	0	0	0	00	00	00
8	8	0000042*	0000009F*	000000087*	00000000F4*	0	0	0	0	0	00	00	00
9	9	0000084*	0000013F*	00000010F*	00000001E9*	0	0	0	0	0	00	00	00
10	10	0000108*	0000027F*	00000021F*	00000003D2*	0	0	0	0	0	00	00	00
11	11	0000211*	000004FE*	00000043E*	00000007A5*	0	0	0	0	0	00	00	00
12	12	0000422*	000009FC*	00000087C*	0000000F4A*	0	0	0	0	0	00	00	00
13	13	0000845*	000013F8*	0000010F8*	0000001E94*	0	0	0	0	0	00	00	00
14	14	000108B*	000027F0*	0000021F1*	0000003D29*	0	0	0	0	0	00	00	00
15	15	0002117*	00004FE1*	0000043E3*	0000007A52*	0	0	0	0	0	00	00	00
16	16	000422E*	00009FC2*	0000087C6*	000000F4A4*	0	0	0	0	0	00	00	00
17	17	000845D*	00013F84*	000010F8C*	000001E948*	0	0	0	0	0	00	00	00
18	18	00108BA*	00027F08*	000021F18*	000003D290*	0	0	0	0	0	00	00	00
19	19	0021174*	0004FE10*	000043E30*	000007A520*	0	0	0	0	0	00	00	00
20	20	00422E8*	0009FC21*	000087C61*	00000F4A41*	0	0	0	0	0	00	00	00
21	21	00845D1*	0013F842*	00010F8C3*	00001E9482*	0	0	0	0	0	00	00	00
22	22	0108BA3*	0027F084*	00021F186*	00003D2905*	0	0	0	0	0	00	00	00
23	23	0211747*	004FE109*	00043E30C*	00007A520B*	0	0	0	0	0	00	00	00
24	24	0422E8F*	009FC213*	00087C619*	0000F4A417*	0	1	0	0	1	00	00	00
25	25	0845D1E*	013F8426*	0010F8C32*	0001E9482F*	1	0	0	0	1	00	00	00
26	26	108BA3D*	027F084D*	0021F1864*	0003D2905E*	0	0	0	0	0	00	00	00
27	27	011747B*	04FE109B*	0043E30C9*	0007A520BC*	0	1	0	0	1	00	00	00
28	28	022E8F6*	09FC2136*	0087C6192*	000F4A4179*	0	1	0	0	1	00	00	00
29	29	045D1EC*	13F8426C*	010F8C325*	001E9482F2*	0	1	0	0	1	00	00	00
30	30	08BA3D9*	27F084D8*	021F1864B*	003D2905E5*	1	1	0	0	0	01	00	00
31	31	11747B3*	4FE109B0*	043E30C97*	007A520BCA*	0	1	0	0	1	00	00	00
32	32	02E8F67*	1FC21360*	087C6192E*	00F4A41795*	0	1	1	1	1	01	00	00

Sample Data



33	33	05D1ECF	3F8426C1	10F8C325C*	01E9482F2B*	0	1	0	1	0	01	00	00
34	34	0BA3D9F	7F084D82	01F1864B8	03D2905E56*	1	0	0	1	0	01	00	00
35	35	1747B3E	7E109B04	03E30C970	07A520BCAC*	0	0	0	1	1	00	00	00
36	36	0E8F67C	7C213608	07C6192E1	0F4A417958*	1	0	0	0	1	00	00	00
37	37	1D1ECF8	78426C11	0F8C325C3	1E9482F2B1*	1	0	1	1	1	01	00	00
38	38	1A3D9F0	7084D822	1F1864B86	3D2905E563*	1	1	1	0	1	01	00	00
39	39	147B3E1	6109B044	1E30C970C	7A520BCAC6*	0	0	1	0	1	00	00	00

Start clocking Summation Combiner

40	1	08F67C2	42136088	1C6192E18	74A417958D	1	0	1	1	1	01	00	00
41	2	11ECF84	0426C111	18C325C30	69482F2B1B	0	0	1	0	0	00	01	00
42	3	03D9F08	084D8222	11864B861	52905E5637	0	0	0	1	1	11	00	01
43	4	07B3E10	109B0444	030C970C3	2520BCAC6E	0	1	0	0	0	01	11	00
44	5	0F67C21	21360889	06192E186	4A417958DC	1	0	0	0	0	10	01	11
45	6	1ECF843	426C1112	0C325C30C	1482F2B1B8	1	0	1	1	1	11	10	01
46	7	1D9F086	04D82225	1864B8619	2905E56370	1	1	1	0	0	01	11	10
47	8	1B3E10D	09B0444B	10C970C32	520BCAC6E1	1	1	0	0	1	10	01	11
48	9	167C21B	13608897	0192E1865	2417958DC3	0	0	0	0	0	00	10	01
49	10	0CF8436	26C1112F	0325C30CB	482F2B1B87	1	1	0	0	0	00	00	10
50	11	19F086D	4D82225E	064B86197	105E56370F	1	1	0	0	0	01	00	00
51	12	13E10DB	1B0444BC	0C970C32F	20BCAC6E1F	0	0	1	1	1	00	01	00
52	13	07C21B7	36088979	192E1865E	417958DC3F	0	0	1	0	1	11	00	01
53	14	0F8436E	6C1112F2	125C30CBD	02F2B1B87F	1	0	0	1	1	01	11	00
54	15	1F086DD	582225E4	04B86197B	05E56370FF	1	0	0	1	1	10	01	11
55	16	1E10DBA	30444BC9	0970C32F7	0BCAC6E1FF	1	0	1	1	1	11	10	01
56	17	1C21B75	60889793	12E1865EE	17958DC3FF	1	1	0	1	0	01	11	10
57	18	18436EA	41112F27	05C30CBDD	2F2B1B87FF	1	0	0	0	0	10	01	11
58	19	1086DD4	02225E4E	0B86197BA	5E56370FFF	0	0	1	0	1	00	10	01
59	20	010DBA8	0444BC9D	170C32F74	3CAC6E1FFF	0	0	0	1	1	01	00	10
60	21	021B750	0889793A	0E1865EE8	7958DC3FFF	0	1	1	0	1	00	01	00
61	22	0436EA0	1112F274	1C30CBDD0	72B1B87FFE	0	0	1	1	0	10	00	01
62	23	086DD40	2225E4E9	186197BA1	656370FFFC	1	0	1	0	0	00	10	00
63	24	10DBA81	444BC9D3	10C32F743	4AC6E1FFF8	0	0	0	1	1	01	00	10
64	25	01B7502	089793A7	01865EE86	158DC3FFF1	0	1	0	1	1	00	01	00
65	26	036EA05	112F274E	030CBDD0D	2B1B87FFE3	0	0	0	0	0	11	00	01
66	27	06DD40B	225E4E9C	06197BA1A	56370FFFC6	0	0	0	0	1	10	11	00
67	28	0DBA817	44BC9D39	0C32F7434	2C6E1FFF8D	1	1	1	0	1	10	10	11
68	29	1B7502E	09793A72	1865EE868	58DC3FFF1B	1	0	1	1	1	01	10	10
69	30	16EA05D	12F274E5	10CBDD0D0	31B87FFE36	0	1	0	1	1	01	01	10
70	31	0DD40BA	25E4E9CB	0197BA1A1	6370FFFC6D	1	1	0	0	1	11	01	01
71	32	1BA8174	4BC9D397	032F74343	46E1FFF8DA	1	1	0	1	0	11	11	01
72	33	17502E8	1793A72F	065EE8687	0DC3FFF1B4	0	1	0	1	1	11	11	11
73	34	0EA05D0	2F274E5E	0CBDD0D0F	1B87FFE369	1	0	1	1	0	10	11	11
74	35	1D40BA0	5E4E9CBD	197BA1A1F	370FFFC6D2	1	0	1	0	0	10	10	11
75	36	1A81741	3C9D397B	12F74343F	6E1FFF8DA5	1	1	0	0	0	01	10	10
76	37	1502E82	793A72F6	05EE8687F	5C3FFF1B4B	0	0	0	0	1	00	01	10
77	38	0A05D05	7274E5ED	0BDD0D0FF	387FFE3696	1	0	1	0	0	10	00	01
78	39	140BA0B	64E9CBDA	17BA1A1FF	70FFFC6D2C	0	1	0	1	0	00	10	00
79	40	0817416	49D397B4	0F74343FE	61FFF8DA59	1	1	1	1	0	11	00	10
80	41	102E82C	13A72F69	1EE8687FD	43FFF1B4B3	0	1	1	1	0	00	11	00
81	42	005D058	274E5ED2	1DD0D0FFA	07FFE36966	0	0	1	1	0	11	00	11
82	43	00BA0B0	4E9CBDA5	1BA1A1FF5	0FFFC6D2CD	0	1	1	1	0	00	11	00
83	44	0174160	1D397B4A	174343FEA	1FFF8DA59B	0	0	0	1	1	10	00	11
84	45	02E82C0	3A72F695	0E8687FD4	3FFF1B4B37	0	0	1	1	0	00	10	00
85	46	05D0580	74E5ED2B	1D0D0FFA9	7FFE36966E	0	1	1	1	1	00	00	10
86	47	0BA0B00	69CBDA56	1A1A1FF53	7FFC6D2CDC	1	1	1	1	0	10	00	00

Sample Data



Table with 15 columns: Line, L1, L2, L3, L4, L5, L6, L7, L8, L9, L10, L11, L12, L13, L14. It contains 15 rows of hexadecimal and binary data.

Sample Data



144	105	166FA8A	259FDA54	17DA6B77E	363377CAC8	0	1	0	0	1	01	00	10
145	106	0CDF515	4B3FB4A9	0FB4D6EFC	6C66EF9591	1	0	1	0	1	00	01	00
146	107	19BEA2B	167F6952	1F69ADDF8	58CDDF2B22	1	0	1	1	1	10	00	01
147	108	137D457	2CFED2A5	1ED35BBF1	319BBE5645	0	1	1	1	1	00	10	00
148	109	06FA8AF	59FDA54A	1DA6B77E2	63377CAC8B	0	1	1	0	0	00	00	10
149	110	0DF515F	33FB4A95	1B4D6EFC4	466EF95916	1	1	1	0	1	01	00	00
150	111	1BEA2BF	67F6952A	169ADDF88	0CDDF2B22C	1	1	0	1	0	11	01	00
151	112	17D457F	4FED2A55	0D35BBF10	19BBE56459	0	1	1	1	0	11	11	01
152	113	0FA8AFE	1FDA54AB	1A6B77E20	3377CAC8B3	1	1	1	0	0	10	11	11
153	114	1F515FD	3FB4A957	14D6EFC40	66EF959166	1	1	0	1	1	10	10	11
154	115	1EA2BFA	7F6952AF	09ADDF880	4DDF2B22CC	1	0	1	1	1	01	10	10
155	116	1D457F4	7ED2A55F	135BBF100	1BBE564598	1	1	0	1	0	10	01	10
156	117	1A8AFE8	7DA54ABF	06B77E200	377CAC8B31	1	1	0	0	0	11	10	01
157	118	1515FD0	7B4A957F	0D6EFC401	6EF9591663	0	0	1	1	1	00	11	10
158	119	0A2BFA1	76952AFE	1ADDF8803	5DF2B22CC7	1	1	1	1	0	00	00	11
159	120	1457F42	6D2A55FD	15BBF1007	3BE564598E	0	0	0	1	1	00	00	00
160	121	08AFE84	5A54ABFB	0B77E200F	77CAC8B31C	1	0	1	1	1	01	00	00
161	122	115FD09	34A957F7	16EFC401F	6F95916639	0	1	0	1	1	00	01	00
162	123	02BFA12	6952AFEF	0DDF8803E	5F2B22CC73	0	0	1	0	1	11	00	01
163	124	057F424	52A55FDF	1BBF1007D	3E564598E7	0	1	1	0	1	01	11	00
164	125	0AFE848	254ABFBF	177E200FA	7CAC8B31CF	1	0	0	1	1	10	01	11
165	126	15FD090	4A957F7E	0EFC401F5	795916639E	0	1	1	0	0	11	10	01
166	127	0BFA121	152AFefd	1DF8803EA	72B22CC73C	1	0	1	1	0	01	11	10
167	128	17F4243	2A55FDFA	1BF1007D4	6564598E78	0	0	1	0	0	10	01	11
168	129	0FE8486	54ABFBF4	17E200FA8	4AC8B31CF0	1	1	0	1	1	11	10	01
169	130	1FD090C	2957F7E8	0FC401F51	15916639E1	1	0	1	1	0	01	11	10
170	131	1FA1219	52AFefD1	1F8803EA3	2B22CC73C2	1	1	1	0	0	01	01	11
171	132	1F42432	255FDFA2	1F1007D47	564598E785	1	0	1	0	1	11	01	01
172	133	1E84865	4ABFBF44	1E200FA8F	2C8B31CF0B	1	1	1	1	1	11	11	01
173	134	1D090CB	157F7E88	1C401F51E	5916639E17	1	0	1	0	1	11	11	11
174	135	1A12196	2AFefD11	18803EA3C	322CC73C2E	1	1	1	0	0	10	11	11
175	136	142432C	55FDFA23	11007D479	64598E785C	0	1	0	0	1	01	10	11
176	137	0848659	2BFBF446	0200FA8F2	48B31CF0B9	1	1	0	1	0	10	01	10
177	138	1090CB2	57F7E88C	0401F51E4	116639E173	0	1	0	0	1	00	10	01
178	139	0121964	2FEFD118	0803EA3C8	22CC73C2E6	0	1	1	1	1	00	00	10
179	140	02432C9	5FDFA230	1007D4791	4598E785CD	0	1	0	1	0	01	00	00
180	141	0486593	3FBF4461	000FA8F23	0B31CF0B9B	0	1	0	0	0	00	01	00
181	142	090CB26	7F7E88C3	001F51E47	16639E1736	1	0	0	0	1	11	00	01
182	143	121964D	7EFD1187	003EA3C8F	2CC73C2E6C	0	1	0	1	1	01	11	00
183	144	0432C9B	7DFA230E	007D4791E	598E785CD8	0	1	0	1	1	10	01	11
184	145	0865936	7BF4461C	00FA8F23C	331CF0B9B0	1	1	0	0	0	11	10	01
185	146	10CB26D	77E88C38	01F51E479	6639E17361	0	1	0	0	0	00	11	10
186	147	01964DA	6FD11870	03EA3C8F2	4C73C2E6C2	0	1	0	0	1	10	00	11
187	148	032C9B4	5FA230E1	07D4791E4	18E785CD84	0	1	0	1	0	00	10	00
188	149	0659368	3F4461C2	0FA8F23C9	31CF0B9B09	0	0	1	1	0	00	00	10
189	150	0CB26D0	7E88C384	1F51E4793	639E173612	1	1	1	1	0	10	00	00
190	151	1964DA0	7D118709	1EA3C8F27	473C2E6C24	1	0	1	0	0	00	10	00
191	152	12C9B41	7A230E12	1D4791E4E	0E785CD848	0	0	1	0	1	01	00	10
192	153	0593683	74461C24	1A8F23C9C	1CF0B9B091	0	0	1	1	1	00	01	00
193	154	0B26D06	688C3848	151E47938	39E1736123	1	1	0	1	1	10	00	01
194	155	164DA0D	51187091	0A3C8F271	73C2E6C247	0	0	1	1	0	00	10	00
195	156	0C9B41A	2230E123	14791E4E3	6785CD848F	1	0	0	1	0	00	00	10
196	157	1936835	4461C247	08F23C9C6	4F0B9B091E	1	0	1	0	0	01	00	00
197	158	126D06A	08C3848E	11E47938D	1E1736123C	0	1	0	0	0	00	01	00
198	159	04DA0D5	1187091C	03C8F271B	3C2E6C2478	0	1	0	0	1	11	00	01
199	160	09B41AA	230E1238	0791E4E37	785CD848F1	1	0	0	0	0	01	11	00
200	161	1368354	461C2470	0F23C9C6F	70B9B091E3	0	0	1	1	1	10	01	11

Sample Data



201	162	06D06A9	0C3848E1	1E47938DF	61736123C6	0	0	1	0	1	00	10	01
202	163	0DA0D52	187091C3	1C8F271BE	42E6C2478D	1	0	1	1	1	00	00	10
203	164	1B41AA4	30E12387	191E4E37C	05CD848F1A	1	1	1	1	0	10	00	00
204	165	1683549	61C2470F	123C9C6F9	0B9B091E34	0	1	0	1	0	00	10	00
205	166	0D06A92	43848E1E	047938DF3	1736123C68	1	1	0	0	0	00	00	10
206	167	1A0D524	07091C3C	08F271BE7	2E6C2478D1	1	0	1	0	0	01	00	00
207	168	141AA49	0E123879	11E4E37CF	5CD848F1A2	0	0	0	1	0	00	01	00
208	169	0835492	1C2470F3	03C9C6F9F	39B091E345	1	0	0	1	0	10	00	01
209	170	106A925	3848E1E6	07938DF3F	736123C68B	0	0	0	0	0	11	10	00
210	171	00D524A	7091C3CD	0F271BE7E	66C2478D16	0	1	1	1	0	01	11	10
211	172	01AA495	6123879B	1E4E37CFD	4D848F1A2D	0	0	1	1	1	10	01	11
212	173	035492A	42470F36	1C9C6F9F3	1B091E345B	0	0	1	0	1	00	10	01
213	174	06A9255	048E1E6C	1938DF3F6	36123C68B7	0	1	1	0	0	00	00	10
214	175	0D524AB	091C3CD8	1271BE7EC	6C2478D16E	1	0	0	0	1	00	00	00
215	176	1AA4957	123879B1	04E37CFD8	5848F1A2DD	1	0	0	0	1	00	00	00
216	177	15492AF	2470F363	09C6F9FB0	3091E345BA	0	0	1	1	0	01	00	00
217	178	0A9255E	48E1E6C7	138DF3F61	6123C68B75	1	1	0	0	1	00	01	00
218	179	1524ABD	11C3CD8F	071BE7EC3	42478D16EB	0	1	0	0	1	11	00	01
219	180	0A4957B	23879B1F	0E37CFD87	048F1A2DD6	1	1	1	1	1	00	11	00
220	181	1492AF6	470F363F	1C6F9FB0E	091E345BAD	0	0	1	0	1	10	00	11
221	182	09255EC	0E1E6C7F	18DF3F61D	123C68B75B	1	0	1	0	0	00	10	00
222	183	124ABD9	1C3CD8FF	11BE7EC3A	2478D16EB6	0	0	0	0	0	01	00	10
223	184	04957B3	3879B1FE	037CFD874	48F1A2DD6D	0	0	0	1	0	00	01	00
224	185	092AF66	70F363FD	06F9FB0E9	11E345BADB	1	1	0	1	1	10	00	01
225	186	1255ECD	61E6C7FA	0DF3F61D3	23C68B75B7	0	1	1	1	1	00	10	00
226	187	04ABD9B	43CD8FF5	1BE7EC3A7	478D16EB6E	0	1	1	1	1	00	00	10
227	188	0957B37	079B1FEA	17CFD874E	0F1A2DD6DD	1	1	0	0	0	01	00	00
228	189	12AF66F	0F363FD4	0F9FB0E9C	1E345BADBB	0	0	1	0	0	00	01	00
229	190	055ECDE	1E6C7FA9	1F3F61D39	3C68B75B76	0	0	1	0	1	11	00	01
230	191	0ABD9BC	3CD8FF53	1E7EC3A73	78D16EB6EC	1	1	1	1	1	00	11	00
231	192	157B379	79B1FEA7	1CFD874E6	71A2DD6DD9	0	1	1	1	1	11	00	11
232	193	0AF66F3	7363FD4E	19FB0E9CD	6345BADBB2	1	0	1	0	1	01	11	00
233	194	15ECDE6	66C7FA9D	13F61D39A	468B75B765	0	1	0	1	1	10	01	11
234	195	0BD9BCC	4D8FF53A	07EC3A735	0D16EB6ECA	1	1	0	0	0	11	10	01
235	196	17B3799	1B1FEA75	0FD874E6A	1A2DD6DD94	0	0	1	0	0	00	11	10
236	197	0F66F33	363FD4EA	1FB0E9CD5	345BADBB28	1	0	1	0	0	11	00	11
237	198	1ECDE67	6C7FA9D5	1F61D39AA	68B75B7650	1	0	1	1	0	00	11	00
238	199	1D9BCCF	58FF53AB	1EC3A7354	516EB6ECA0	1	1	1	0	1	11	00	11
239	200	1B3799E	31FEA756	1D874E6A8	22DD6DD940	1	1	1	1	1	00	11	00

- Z[0] = 3F
- Z[1] = B1
- Z[2] = 67
- Z[3] = D2
- Z[4] = 2F
- Z[5] = A6
- Z[6] = 1F
- Z[7] = B9
- Z[8] = E6
- Z[9] = 84
- Z[10] = 43
- Z[11] = 07
- Z[12] = D8
- Z[13] = 1E
- Z[14] = E7
- Z[15] = C3

Sample Data



```

=====
Reload this pattern into the LFSRs
Hold content of Summation Combiner regs and calculate new C[t+1] and Z values
=====
    
```

```

LFSR1 <= 0E62F3F
LFSR2 <= 6C84A6B1
LFSR3 <= 11E431F67
LFSR4 <= 61E707B9D2
C[t+1] <= 00
    
```

```

=====
Generating 125 key symbols (encryption/decryption sequence)
=====
    
```

240	1	0E62F3F	6C84A6B1	11E431F67	61E707B9D2	1	1	0	1	0	00	11	00
241	2	1CC5E7F	59094D63	03C863ECE	43CE0F73A5	1	0	0	1	0	11	00	11
242	3	198BCFF	32129AC6	0790C7D9D	079C1EE74A	1	0	0	1	1	01	11	00
243	4	13179FE	6425358C	0F218FB3A	0F383DCE94	0	0	1	0	0	10	01	11
244	5	062F3FD	484A6B19	1E431F675	1E707B9D28	0	0	1	0	1	00	10	01
245	6	0C5E7FB	1094D632	1C863ECEB	3CE0F73A50	1	1	1	1	0	11	00	10
246	7	18BCFF7	2129AC64	190C7D9D7	79C1EE74A1	1	0	1	1	0	00	11	00
247	8	1179FEE	425358C8	1218FB3AE	7383DCE942	0	0	0	1	1	10	00	11
248	9	02F3FDD	04A6B190	0431F675D	6707B9D285	0	1	0	0	1	11	10	00
249	10	05E7FBB	094D6320	0863ECEBB	4E0F73A50B	0	0	1	0	0	00	11	10
250	11	0BCFF77	129AC640	10C7D9D77	1C1EE74A16	1	1	0	0	0	11	00	11
251	12	179FEEE	25358C80	018FB3AEE	383DCE942C	0	0	0	0	1	10	11	00
252	13	0F3FDCC	4A6B1900	031F675DD	707B9D2859	1	0	0	0	1	01	10	11
253	14	1E7FBB8	14D63200	063ECEBBA	60F73A50B3	1	1	0	1	0	10	01	10
254	15	1CFF771	29AC6401	0C7D9D774	41EE74A167	1	1	1	1	0	10	10	01
255	16	19FEEE2	5358C803	18FB3AEE9	03DCE942CE	1	0	1	1	1	01	10	10
256	17	13FDCC4	26B19007	11F675DD2	07B9D2859C	0	1	0	1	1	01	01	10
257	18	07FBB88	4D63200E	03ECEBBA4	0F73A50B38	0	0	0	0	1	10	01	01
258	19	0FF7711	1AC6401D	07D9D7748	1EE74A1670	1	1	0	1	1	11	10	01
259	20	1FEEE23	358C803B	0FB3AEE91	3DCE942CE1	1	1	1	1	1	01	11	10
260	21	1FDCC47	6B190076	1F675DD23	7B9D2859C2	1	0	1	1	0	01	01	11
261	22	1FBB88F	563200ED	1ECEBBA47	773A50B385	1	0	1	0	1	11	01	01
262	23	1F7711E	2C6401DB	1D9D7748F	6E74A1670A	1	0	1	0	1	10	11	01
263	24	1EEE23D	58C803B6	1B3AEE91E	5CE942CE15	1	1	1	1	0	11	10	11
264	25	1DCC47A	3190076C	1675DD23D	39D2859C2B	1	1	0	1	0	01	11	10
265	26	1BB88F4	63200ED9	0CEBBA47A	73A50B3856	1	0	1	1	0	01	01	11
266	27	17711E8	46401DB2	19D7748F5	674A1670AD	0	0	1	0	0	11	01	01
267	28	0EE23D0	0C803B64	13AEE91EA	4E942CE15B	1	1	0	1	0	11	11	01
268	29	1DC47A0	190076C8	075DD23D4	1D2859C2B7	1	0	0	0	0	11	11	11
269	30	1B88F41	3200ED90	0EBBA47A9	3A50B3856E	1	0	1	0	1	11	11	11
270	31	1711E83	6401DB20	1D7748F53	74A1670ADC	0	0	1	1	1	11	11	11
271	32	0E23D07	4803B641	1AEE91EA7	6942CE15B8	1	0	1	0	1	11	11	11
272	33	1C47A0F	10076C82	15DD23D4F	52859C2B71	1	0	0	1	1	11	11	11
273	34	188F41E	200ED905	0BBA47A9E	250B3856E3	1	0	1	0	1	11	11	11
274	35	111E83C	401DB20A	17748F53D	4A1670ADC7	0	0	0	0	1	00	11	11
275	36	023D078	003B6414	0EE91EA7A	142CE15B8E	0	0	1	0	1	10	00	11
276	37	047A0F0	0076C828	1DD23D4F5	2859C2B71C	0	0	1	0	1	11	10	00
277	38	08F41E1	00ED9050	1BA47A9EA	50B3856E39	1	1	1	1	1	01	11	10
278	39	11E83C2	01DB20A0	1748F53D5	21670ADC72	0	1	0	0	0	10	01	11
279	40	03D0785	03B64141	0E91EA7AA	42CE15B8E4	0	1	1	1	1	11	10	01
280	41	07A0F0A	076C8283	1D23D4F54	059C2B71C8	0	0	1	1	1	00	11	10
281	42	0F41E14	0ED90507	1A47A9EA9	0B3856E390	1	1	1	0	1	11	00	11
282	43	1E83C29	1DB20A0F	148F53D52	1670ADC720	1	1	0	0	1	01	11	00

Sample Data



283	44	1D07853	3B64141E	091EA7AA5	2CE15B8E40	1	0	1	1	0	01	01	11
284	45	1A0F0A6	76C8283C	123D4F54B	59C2B71C81	1	1	0	1	0	00	01	01
285	46	141E14C	6D905079	047A9EA97	33856E3902	0	1	0	1	0	10	00	01
286	47	083C299	5B20A0F2	08F53D52F	670ADC7204	1	0	1	0	0	00	10	00
287	48	1078533	364141E4	11EA7AA5E	4E15B8E408	0	0	0	0	0	01	00	10
288	49	00F0A67	6C8283C8	03D4F54BC	1C2B71C811	0	1	0	0	0	00	01	00
289	50	01E14CE	59050791	07A9EA978	3856E39022	0	0	0	0	0	11	00	01
290	51	03C299C	320A0F23	0F53D52F1	70ADC72045	0	0	1	1	1	01	11	00
291	52	0785339	64141E47	1EA7AA5E2	615B8E408A	0	0	1	0	0	10	01	11
292	53	0F0A673	48283C8E	1D4F54BC4	42B71C8115	1	0	1	1	1	11	10	01
293	54	1E14CE6	1050791C	1A9EA9788	056E39022B	1	0	1	0	1	00	11	10
294	55	1C299CD	20A0F239	153D52F10	0ADC720456	1	1	0	1	1	11	00	11
295	56	185339B	4141E472	0A7AA5E20	15B8E408AC	1	0	1	1	0	00	11	00
296	57	10A6736	0283C8E4	14F54BC41	2B71C81158	0	1	0	0	1	10	00	11
297	58	014CE6C	050791C9	09EA97882	56E39022B0	0	0	1	1	0	00	10	00
298	59	0299CD9	0A0F2393	13D52F104	2DC7204561	0	0	0	1	1	01	00	10
299	60	05339B3	141E4726	07AA5E208	5B8E408AC3	0	0	0	1	0	00	01	00
300	61	0A67366	283C8E4C	0F54BC411	371C811587	1	0	1	0	0	10	00	01
301	62	14CE6CC	50791C98	1EA978822	6E39022B0F	0	0	1	0	1	11	10	00
302	63	099CD99	20F23930	1D52F1045	5C7204561E	1	1	1	0	0	01	11	10
303	64	1339B33	41E47260	1AA5E208B	38E408AC3D	0	1	1	1	0	01	01	11
304	65	0673666	03C8E4C0	154BC4117	71C811587A	0	1	0	1	1	11	01	01
305	66	0CE6CCC	0791C980	0A978822E	639022B0F5	1	1	1	1	1	11	11	01
306	67	19CD999	0F239301	152F1045C	47204561EB	1	0	0	0	0	11	11	11
307	68	139B332	1E472603	0A5E208B9	0E408AC3D6	0	0	1	0	0	11	11	11
308	69	0736664	3C8E4C06	14BC41172	1C811587AD	0	1	0	1	1	11	11	11
309	70	0E6CCC8	791C980C	0978822E5	39022B0F5A	1	0	1	0	1	11	11	11
310	71	1CD9990	72393019	12F1045CB	7204561EB4	1	0	0	0	0	11	11	11
311	72	19B3320	64726033	05E208B97	6408AC3D69	1	0	0	0	0	11	11	11
312	73	1366640	48E4C067	0BC41172F	4811587AD3	0	1	1	0	1	11	11	11
313	74	06CCC81	11C980CF	178822E5E	1022B0F5A6	0	1	0	0	0	11	11	11
314	75	0D99903	2393019E	0F1045CBC	204561EB4C	1	1	1	0	0	10	11	11
315	76	1B33206	4726033D	1E208B979	408AC3D699	1	0	1	1	1	10	10	11
316	77	166640D	0E4C067B	1C41172F2	011587AD33	0	0	1	0	1	10	10	10
317	78	0CCC81B	1C980CF6	18822E5E5	022B0F5A66	1	1	1	0	1	01	10	10
318	79	1999036	393019EC	11045CBCA	04561EB4CD	1	0	0	0	0	01	01	10
319	80	133206C	726033D9	0208B9794	08AC3D699B	0	0	0	1	0	11	01	01
320	81	06640D9	64C067B3	041172F29	11587AD337	0	1	0	0	0	10	11	01
321	82	0CC81B3	4980CF66	0822E5E53	22B0F5A66F	1	1	1	1	0	11	10	11
322	83	1990366	13019ECC	1045CBCA6	4561EB4CDF	1	0	0	0	0	00	11	10
323	84	13206CC	26033D98	008B9794D	0AC3D699BE	0	0	0	1	1	10	00	11
324	85	0640D98	4C067B31	01172F29B	1587AD337C	0	0	0	1	1	11	10	00
325	86	0C81B30	180CF662	022E5E537	2B0F5A66F9	1	0	0	0	0	00	11	10
326	87	1903660	3019ECC5	045CBCA6F	561EB4CDF3	1	0	0	0	1	10	00	11
327	88	1206CC1	6033D98A	08B9794DE	2C3D699BE6	0	0	1	0	1	11	10	00
328	89	040D983	4067B315	1172F29BD	587AD337CC	0	0	0	0	1	11	11	10
329	90	081B306	00CF662A	02E5E537A	30F5A66F98	1	1	0	1	0	10	11	11
330	91	103660C	019ECC55	05CBCA6F4	61EB4CDF31	0	1	0	1	0	10	10	11
331	92	006CC19	033D98AB	0B9794DE8	43D699BE62	0	0	1	1	0	01	10	10
332	93	00D9833	067B3156	172F29BD0	07AD337CC5	0	0	0	1	0	01	01	10
333	94	01B3066	0CF662AC	0E5E537A0	0F5A66F98B	0	1	1	0	1	11	01	01
334	95	03660CD	19ECC559	1CBCA6F41	1EB4CDF317	0	1	1	1	0	11	11	01
335	96	06CC19B	33D98AB2	19794DE83	3D699BE62F	0	1	1	0	1	11	11	11
336	97	0D98336	67B31565	12F29BD06	7AD337CC5F	1	1	0	1	0	10	11	11
337	98	1B3066D	4F662ACA	05E537A0C	75A66F98BF	1	0	0	1	0	10	10	11
338	99	1660CDB	1ECC5594	0BCA6F418	6B4CDF317E	0	1	1	0	0	01	10	10
339	100	0CC19B7	3D98AB29	1794DE831	5699BE62FC	1	1	0	1	0	10	01	10

Sample Data



340	101	198336F	7B315653	0F29BD062	2D337CC5F9	1	0	1	0	0	11	10	01
341	102	13066DE	7662ACA7	1E537A0C5	5A66F98BF2	0	0	1	0	0	00	11	10
342	103	060CDBC	6CC5594F	1CA6F418B	34CDF317E4	0	1	1	1	1	11	00	11
343	104	0C19B78	598AB29F	194DE8317	699BE62FC9	1	1	1	1	1	00	11	00
344	105	18336F1	3315653F	129BD062E	5337CC5F92	1	0	0	0	1	10	00	11
345	106	1066DE2	662ACA7E	0537A0C5C	266F98BF25	0	0	0	0	0	11	10	00
346	107	00CDBC5	4C5594FD	0A6F418B9	4CDF317E4B	0	0	1	1	1	00	11	10
347	108	019B78B	18AB29FA	14DE83172	19BE62FC96	0	1	0	1	0	11	00	11
348	109	0336F16	315653F4	09BD062E5	337CC5F92C	0	0	1	0	0	01	11	00
349	110	066DE2D	62ACA7E8	137A0C5CA	66F98BF258	0	1	0	1	1	10	01	11
350	111	0CDBC5B	45594FD1	06F418B95	4DF317E4B1	1	0	0	1	0	11	10	01
351	112	19B78B6	0AB29FA2	0DE83172B	1BE62FC962	1	1	1	1	1	01	11	10
352	113	136F16C	15653F45	1BD062E57	37CC5F92C5	0	0	1	1	1	10	01	11
353	114	06DE2D9	2ACA7E8B	17A0C5CAE	6F98BF258B	0	1	0	1	0	11	10	01
354	115	0DBC5B2	5594FD16	0F418B95D	5F317E4B16	1	1	1	0	0	01	11	10
355	116	1B78B64	2B29FA2C	1E83172BB	3E62FC962C	1	0	1	0	1	10	01	11
356	117	16F16C8	5653F458	1D062E577	7CC5F92C58	0	0	1	1	0	11	10	01
357	118	0DE2D91	2CA7E8B0	1A0C5CAEF	798BF258B1	1	1	1	1	1	01	11	10
358	119	1BC5B23	594FD161	1418B95DF	7317E4B163	1	0	0	0	0	10	01	11
359	120	178B647	329FA2C2	083172BBF	662FC962C7	0	1	1	0	0	11	10	01
360	121	0F16C8E	653F4584	1062E577F	4C5F92C58E	1	0	0	0	0	00	11	10
361	122	1E2D91C	4A7E8B09	00C5CAEFE	18BF258B1C	1	0	0	1	0	11	00	11
362	123	1C5B238	14FD1613	018B95DFC	317E4B1639	1	1	0	0	1	01	11	00
363	124	18B6471	29FA2C27	03172BBF9	62FC962C72	1	1	0	1	0	01	01	11
364	125	116C8E2	53F4584E	062E577F3	45F92C58E4	0	1	0	1	1	11	01	01



1.2 AES-CCM ENCRYPTION SAMPLE DATA

All values below are hexadecimal and follow notation of AES-CCM:
MSbyte to LSbyte & msbit to lsbite.

1.2.1 Sample data 1 (DM1, Central → Peripheral)

Payload byte length: 00
K: 89678967 89678967 45234523 45234523
Payload counter: 0000bc614e
Zero-length ACL-U Continuation: 0
Direction: 0
Initialization vector: 66778899 aabbccdd
LT_ADDR: 1
Packet Type: 3
LLID: 2
Payload:

B0: 494e61bc 0000ddcc bbaa9988 77660000
B1: 00190200 00000000 00000000 00000000

Y0: bb01f0c5 16dfd7b5 0d0cccb8 eaebb347
Y1: a9adf6e6 7876cf95 118a09d5 ac3f216e

T: a9adf6e6

CTR0: 014e61bc 0000ddcc bbaa9988 77660000

S0: b90f2b23 f63717d3 38e0559d 1e7e785e

MIC: 10a2ddc5
Encrypted payload:

Sample Data**1.2.2 Sample data 2 (DM1, Central → Peripheral)**

Payload byte length: 08
K: 89678967 89678967 45234523 45234523
Payload counter: 0000bc614e
Zero-length ACL-U Continuation: 0
Direction: 0
Initialization vector: 66778899 aabbccdd
LT_ADDR: 1
Packet Type: 3
LLID: 2
Payload: 68696a6b 6c6d6e6f

B0: 494e61bc 0000ddcc bbbaa9988 77660008
B1: 00190200 00000000 00000000 00000000
B2: 68696a6b 6c6d6e6f 00000000 00000000

Y0: 95ddc3d4 2c9a70f1 61a28ee2 c08271ab
Y1: 418635ff 54615443 8aceca41 fe274779
Y2: 08d78b32 9d78ed33 b285fc42 e178d781

T: 08d78b32

CTR0: 014e61bc 0000ddcc bbbaa9988 77660000
CTR1: 014e61bc 0000ddcc bbbaa9988 77660001

S0: b90f2b23 f63717d3 38e0559d 1e7e785e
S1: d8c7e3e1 02050abb 025d0895 17cbe5fb

MIC: b1d8a011
Encrypted payload: b0ae898a 6e6864d4

Sample Data**1.2.3 Sample data 3 (DM1, Peripheral → Central)**

Payload byte length: 08
K: 89678967 89678967 45234523 45234523
Payload counter: 0000bc614e
Zero-length ACL-U Continuation: 0
Direction: 1
Initialization vector: 66778899 aabbccdd
LT_ADDR: 1
Packet Type: 3
LLID: 2
Payload: 68696a6b 6c6d6e6f

B0: 494e61bc 0020ddcc bbba9988 77660008
B1: 00190200 00000000 00000000 00000000
B2: 68696a6b 6c6d6e6f 00000000 00000000

Y0: 31081122 b1cca37a 5f04d238 897b9bc8
Y1: 02ee3065 95c5d55a d0a030a3 3bee507b
Y2: 7382a2ba aa874418 14eafbef 41f57180

T: 7382a2ba

CTR0: 014e61bc 0020ddcc bbba9988 77660000
CTR1: 014e61bc 0020ddcc bbba9988 77660001

S0: 2a4d408d 2035b058 cc2fbf3b 8de15c73
S1: 9c89f68f b31bf4b5 7fbc7e83 123bd8a8

MIC: 59cfe237
Encrypted payload: f4e09ce4 df769ada

Sample Data**1.2.4 Sample data 4 (DM1, Central → Peripheral)**

Payload byte length: 11
K: ce2ad11b a11456bd bd9d8b1f 848322fc
Payload counter: 00bdb3be95
Zero-length ACL-U Continuation: 0
Direction: 0
Initialization vector: 82b8b727 5bf92769
LT_ADDR: 1
Packet Type: 3
LLID: 2
Payload: 86126da5 dbb39164 9ba1cac4 60917233
05

B0: 4995beb3 bd006927 f95b27b7 b8820011
B1: 00190200 00000000 00000000 00000000
B2: 86126da5 dbb39164 9ba1cac4 60917233
B3: 05000000 00000000 00000000 00000000

Y0: ab182b6f e8bca0a9 7cc306e0 eab19e84
Y1: c198f821 49061035 977a5aae 60c51726
Y2: 45dd4181 40facb43 0f73f71b 49ea36ae
Y3: 7b112114 38d06bc2 98cb22db c5218041

T: 7b112114

CTR0: 0195beb3 bd006927 f95b27b7 b8820000
CTR1: 0195beb3 bd006927 f95b27b7 b8820001
CTR2: 0195beb3 bd006927 f95b27b7 b8820002

S0: bd3d1368 1478c30c 62b734ac e8e00c6e
S1: bfaa326d 8d84d8f6 e4518d12 20babe4f
S2: fc4a6327 776a3136 604a1ab8 20836505

MIC: c62c327c
Encrypted payload: 39b85fc8 56374992 7ff047d6 402bcc7c
f9

Sample Data**1.2.5 Sample data 5 (DM1, Peripheral → Central)**

Payload byte length: 11
K: ce2ad11b a11456bd bd9d8b1f 848322fc
Payload counter: 00bdb3be95
Zero-length ACL-U Continuation: 0
Direction: 1
Initialization vector: 82b8b727 5bf92769
LT_ADDR: 1
Packet Type: 3
LLID: 2
Payload: 86126da5 dbb39164 9ba1cac4 60917233
05

B0: 4995beb3 bd206927 f95b27b7 b8820011
B1: 00190200 00000000 00000000 00000000
B2: 86126da5 dbb39164 9ba1cac4 60917233
B3: 05000000 00000000 00000000 00000000

Y0: 2c317af0 b12026df 8400f84e aa8e53e7
Y1: 1ec2c0c5 74e2cad3 3e143b2b 9d63095d
Y2: e7f08f4b d7c24c04 651434d8 a84f8ae9
Y3: d6f08416 0d556004 6c9b850b 1b579614

T: d6f08416

CTR0: 0195beb3 bd206927 f95b27b7 b8820000
CTR1: 0195beb3 bd206927 f95b27b7 b8820001
CTR2: 0195beb3 bd206927 f95b27b7 b8820002

S0: d8bc791d b48ea182 ef438e70 ee0f50e1
S1: c5e90ff5 6e1e06b3 4d6b699c 9fb72e3d
S2: b68f4956 19bea370 0a1f118e a5dd6aff

MIC: 0e4cfd0b
Encrypted payload: 43fb6250 b5ad97d7 d6caa358 ff265c0e
b3

Sample Data**1.2.6 Sample data 6 (DH1, Central → Peripheral)**

Payload byte length: 14
K: 7b04934f d9d25294 ef1a014d a094f0b5
Payload counter: 006267f78b
Zero-length ACL-U Continuation: 0
Direction: 0
Initialization vector: 74ca58e8 b136986f
LT_ADDR: 1
Packet Type: 4
LLID: 2
Payload: 9bb3a2bd dd043b3a 904cc247 0a1d545f
 b2095e3d

B0: 498bf767 62006f98 36b1e858 ca740014
B1: 00210200 00000000 00000000 00000000
B2: 9bb3a2bd dd043b3a 904cc247 0a1d545f
B3: b2095e3d 00000000 00000000 00000000

Y0: ae691727 39e614a3 e0be3227 ac9afd99
Y1: 47b13424 8ff2f5f7 eaea4fdd 0fab9d92
Y2: 36154960 3c1fc026 4509902e de57dfc3
Y3: 1d45d8f7 950a39c3 9779bb7c d1b3fe17

T: 1d45d8f7

CTR0: 018bf767 62006f98 36b1e858 ca740000
CTR1: 018bf767 62006f98 36b1e858 ca740001
CTR2: 018bf767 62006f98 36b1e858 ca740002

S0: 254593c4 cd12c6a7 d9dec572 95524b75
S1: af492e65 ca391b26 e8ce9653 498ed0de
S2: 869271ed ac79c1bc 3cf0f959 c2711f3b

MIC: 38004b33
Encrypted payload: 34fa8cd8 173d201c 78825414 43938481
 349b2fd0

Sample Data**1.2.7 Sample data 7 (DH1, Peripheral → Central)**

Payload byte length: 14
K: 7b04934f d9d25294 ef1a014d a094f0b5
Payload counter: 006267f78b
Zero-length ACL-U Continuation: 0
Direction: 1
Initialization vector: 74ca58e8 b136986f
LT_ADDR: 1
Packet Type: 4
LLID: 2
Payload: 9bb3a2bd dd043b3a 904cc247 0a1d545f
 b2095e3d

B0: 498bf767 62206f98 36b1e858 ca740014
B1: 00210200 00000000 00000000 00000000
B2: 9bb3a2bd dd043b3a 904cc247 0a1d545f
B3: b2095e3d 00000000 00000000 00000000

Y0: 55410490 6f3a5827 e5a04a60 7cf19ad5
Y1: 000cc95c c0d099ca b15b244b d3440c24
Y2: bd1d9815 96438c28 eebfd508 6cf80d34
Y3: 8c227888 d0725a21 ffba99b2 38043d5e

T: 8c227888

CTR0: 018bf767 62206f98 36b1e858 ca740000
CTR1: 018bf767 62206f98 36b1e858 ca740001
CTR2: 018bf767 62206f98 36b1e858 ca740002

S0: 1404487a 919e16c8 b3245d80 2b364231
S1: 82082cbc 57038db7 4823be9a 34e0a8d7
S2: 1b5f7526 d26fe763 7669dfee 63743d3a

MIC: 982630f2
Encrypted payload: 19bb8e01 8a07b68d d86f7cdd 3efdfc88
 a9562b1b

Sample Data**1.2.8 Sample data 8 (DH1, Central → Peripheral)**

Payload byte length: 1b
K: 7b04934f d9d25294 ef1a014d a094f0b5
Payload counter: 006267f78b
Zero-length ACL-U Continuation: 0
Direction: 0
Initialization vector: 74ca58e8 b136986f
LT_ADDR: 1
Packet Type: 4
LLID: 2
Payload: 8f11d05e e0e749b5 eeda42f9 2b184502
 95388ce5 872916b4 bf7260

B0: 498bf767 62006f98 36b1e858 ca74001b
B1: 00210200 00000000 00000000 00000000
B2: 8f11d05e e0e749b5 eeda42f9 2b184502
B3: 95388ce5 872916b4 bf726000 00000000

Y0: 28015834 f3117a84 904800f7 ebd4b0d4
Y1: 15c4a61e b7ae954e 2c9d1b19 3ba2a9e5
Y2: 832c185d 1effc0ee 94d3a26e 23aca8e6
Y3: dcef7067 fc38a84e 893670a6 fb9e069b

T: dcef7067

CTR0: 018bf767 62006f98 36b1e858 ca740000
CTR1: 018bf767 62006f98 36b1e858 ca740001
CTR2: 018bf767 62006f98 36b1e858 ca740002

S0: 254593c4 cd12c6a7 d9dec572 95524b75
S1: af492e65 ca391b26 e8ce9653 498ed0de
S2: 869271ed ac79c1bc 3cf0f959 c2711f3b

MIC: f9aae3a3
Encrypted payload: 2058fe3b 2ade5293 0614d4aa 629695dc
 13aafd08 2b50d708 838299

Sample Data**1.2.9 Sample data 9 (DH1, Peripheral → Central)**

Payload byte length: 1b
K: 7b04934f d9d25294 ef1a014d a094f0b5
Payload counter: 006267f78b
Zero-length ACL-U Continuation: 0
Direction: 1
Initialization vector: 74ca58e8 b136986f
LT_ADDR: 1
Packet Type: 4
LLID: 2
Payload: 8f11d05e e0e749b5 eeda42f9 2b184502
 95388ce5 872916b4 bf7260

B0: 498bf767 62206f98 36b1e858 ca74001b
B1: 00210200 00000000 00000000 00000000
B2: 8f11d05e e0e749b5 eeda42f9 2b184502
B3: 95388ce5 872916b4 bf726000 00000000

Y0: feb39b06 54b486da bf1cec46 b5c5ec2a
Y1: eeda0fc3 4057d94e 3572448d 67b640f4
Y2: 48461729 ec1c7060 3b0f88ce becef21a
Y3: b1ff4755 658c2aa2 862952a5 1ca041a1

T: b1ff4755

CTR0: 018bf767 62206f98 36b1e858 ca740000
CTR1: 018bf767 62206f98 36b1e858 ca740001
CTR2: 018bf767 62206f98 36b1e858 ca740002

S0: 1404487a 919e16c8 b3245d80 2b364231
S1: 82082cbc 57038db7 4823be9a 34e0a8d7
S2: 1b5f7526 d26fe763 7669dfef 63743d3a

MIC: a5fb0f2f
Encrypted payload: 0d19fce2 b7e4c402 a6f9fc63 1ff8edd5
 8e67f9c3 5546f1d7 c91bbf

Sample Data**1.2.10 Sample data 10 (2-DH3, Central → Peripheral)**

Payload byte length: 16f
 K: 7b04934f d9d25294 ef1a014d a094f0b5
 Payload counter: 006267f78b
 Zero-length ACL-U Continuation: 0
 Direction: 0
 Initialization vector: 74ca58e8 b136986f
 LT_ADDR: 1
 Packet Type: a
 LLID: 2
 Payload: 969b0972 549738ea 89120710 55797f19
 631dd8e7 219308a0 836e8d6b a55ec08f
 42604406 543c2f96 60c261c3 1c3d8826
 73aab82e bd5a8278 93625aa8 b9a4c5b3
 bc310174 e4d6436e 2e44aa08 1d64e751
 b5501222 dcc34270 6aefd398 1e10b2e2
 56e20d95 1e4e68cc 3fdd4b5c 8e93809a
 ff008232 3b6a864e b8556219 e94fbdd2
 500550e9 939e6108 43a375ab a75d1f6d
 a0304656 b45f488c 0ba40259 4e1ee6a1
 c59301e8 f1507906 40dc0c24 330120c0
 ac7f6707 e7f00d4a ea6c0577 a31abbb6
 4f9b6bab 47bfa387 c89bbbe1 6d8cbd49
 4a9c452f 9d46ab05 dcf0f434 f4c27bce
 2e0e177d 1aba438d 64a8cd72 ca0c170c
 9fa6e227 992fe354 98c94581 f1d869ee
 b07ffcf2 c19b35c8 5e22939e b54c772c
 2c4c0963 f51a653d 777879f2 d1ab67fc
 ba300c9e fa3ba62e 9f70e4b9 1a996f81
 7a9dff0b 56fd15c2 e9858db3 9b33e8c2
 254df11b 64b9ac36 409f2406 5c9e478a
 fc3b8161 b32d1b56 9236e631 23ed2a53
 89d4c4e0 8a799f0a 370e7310 734c9f

B0: 498bf767 62006f98 36b1e858 ca74016f
 B1: 00510200 00000000 00000000 00000000
 B2: 969b0972 549738ea 89120710 55797f19
 B3: 631dd8e7 219308a0 836e8d6b a55ec08f
 B4: 42604406 543c2f96 60c261c3 1c3d8826
 B5: 73aab82e bd5a8278 93625aa8 b9a4c5b3
 B6: bc310174 e4d6436e 2e44aa08 1d64e751
 B7: b5501222 dcc34270 6aefd398 1e10b2e2
 B8: 56e20d95 1e4e68cc 3fdd4b5c 8e93809a
 B9: ff008232 3b6a864e b8556219 e94fbdd2
 B10: 500550e9 939e6108 43a375ab a75d1f6d
 B11: a0304656 b45f488c 0ba40259 4e1ee6a1
 B12: c59301e8 f1507906 40dc0c24 330120c0
 B13: ac7f6707 e7f00d4a ea6c0577 a31abbb6
 B14: 4f9b6bab 47bfa387 c89bbbe1 6d8cbd49
 B15: 4a9c452f 9d46ab05 dcf0f434 f4c27bce
 B16: 2e0e177d 1aba438d 64a8cd72 ca0c170c
 B17: 9fa6e227 992fe354 98c94581 f1d869ee
 B18: b07ffcf2 c19b35c8 5e22939e b54c772c
 B19: 2c4c0963 f51a653d 777879f2 d1ab67fc
 B20: ba300c9e fa3ba62e 9f70e4b9 1a996f81

Sample Data

B21: 7a9dff0b 56fd15c2 e9858db3 9b33e8c2
 B22: 254df11b 64b9ac36 409f2406 5c9e478a
 B23: fc3b8161 b32d1b56 9236e631 23ed2a53
 B24: 89d4c4e0 8a799f0a 370e7310 734c9f00

Y0: 29d89cd3 f2a1cf11 de30fb32 7e036fd8
 Y1: 969453f9 b7ed6ed5 0bb166ac ad84b447
 Y2: 29c1dbe6 569d3bcd 517acede fdf9b2a3
 Y3: 87ae6d80 ceb1d9ae e7e009f3 0564b2b4
 Y4: f7b4d9bf a1fa7bba 484cba56 f72c649c
 Y5: 7cff7307 318bed9a 94c81c3f 7fa87554
 Y6: ccf442c7 832413c6 1387b50f 1d6af991
 Y7: fda7fb71 83c5a785 a798814c d0a4f4ef
 Y8: ca85d795 514e510a e715b603 ad7fd821
 Y9: 65527777 4efa23ca d5124e05 0597d5ff
 Y10: b17f66c4 8a523b41 950f09c0 fc3a2a15
 Y11: 886ec25e ed7cd1af 44de48bf fde11c40
 Y12: cd685d0d 10a34a2f 2fa75fee c8a36979
 Y13: d7486efa 056ebad9 0f6fe2ac f9871d36
 Y14: c28103ad 2fe40cb6 42337daa fee66a03
 Y15: c4a313af aad33282 8db4432c 73550d1c
 Y16: e29b7baa b3c83223 72fc11d5 b15c01bb
 Y17: 22737a00 4e7f26b9 c9f368e1 a90843ae
 Y18: 11f9a9f7 997119fb ebad9814 230e9f11
 Y19: 026c4112 d016c255 9595bdc9 a8b14e95
 Y20: dfe4c01a b101dfca 4bd2ca7e 4342d595
 Y21: 5a128313 b4180f77 80a029cc 23a0c1fc
 Y22: b4df1ace 2e0a3a2a 968d45e4 7a11a3cf
 Y23: d2fb23c5 4849439d 80e8fed4 7ee0e5cb
 Y24: da1c4547 7eab6f64 b771cf1e 8ca278ad

T: da1c4547

CTR0: 018bf767 62006f98 36b1e858 ca740000
 CTR1: 018bf767 62006f98 36b1e858 ca740001
 CTR2: 018bf767 62006f98 36b1e858 ca740002
 CTR3: 018bf767 62006f98 36b1e858 ca740003
 CTR4: 018bf767 62006f98 36b1e858 ca740004
 CTR5: 018bf767 62006f98 36b1e858 ca740005
 CTR6: 018bf767 62006f98 36b1e858 ca740006
 CTR7: 018bf767 62006f98 36b1e858 ca740007
 CTR8: 018bf767 62006f98 36b1e858 ca740008
 CTR9: 018bf767 62006f98 36b1e858 ca740009
 CTR10: 018bf767 62006f98 36b1e858 ca74000a
 CTR11: 018bf767 62006f98 36b1e858 ca74000b
 CTR12: 018bf767 62006f98 36b1e858 ca74000c
 CTR13: 018bf767 62006f98 36b1e858 ca74000d
 CTR14: 018bf767 62006f98 36b1e858 ca74000e
 CTR15: 018bf767 62006f98 36b1e858 ca74000f
 CTR16: 018bf767 62006f98 36b1e858 ca740010
 CTR17: 018bf767 62006f98 36b1e858 ca740011
 CTR18: 018bf767 62006f98 36b1e858 ca740012
 CTR19: 018bf767 62006f98 36b1e858 ca740013
 CTR20: 018bf767 62006f98 36b1e858 ca740014
 CTR21: 018bf767 62006f98 36b1e858 ca740015
 CTR22: 018bf767 62006f98 36b1e858 ca740016
 CTR23: 018bf767 62006f98 36b1e858 ca740017

Sample Data



S0: 254593c4 cd12c6a7 d9dec572 95524b75
 S1: af492e65 ca391b26 e8ce9653 498ed0de
 S2: 869271ed ac79c1bc 3cf0f959 c2711f3b
 S3: 31554cb7 aa9b1dfb 24ba8b26 eab59ad8
 S4: 7cb39415 9dce80e6 0ac0e5e0 9667747e
 S5: 9727b319 ccbcc251 d539fd08 497942c8
 S6: bd972408 212a147c 3eb66687 1488e2d9
 S7: aef3e149 6b4e615b 309a7f93 53ca2981
 S8: 6b276914 1d957bec 4c87e76d ee681e76
 S9: a2df383f eece9b0d 4553f2e8 6f8b6035
 S10: 11dac6bc c4177830 c7038ee1 e6cb0579
 S11: 30bfd1cf 7fa95155 7c0757bf f14840a0
 S12: 2315682b 1f4cb1f6 10fd4365 4d9b6155
 S13: 7f4aa2fd 211bbc18 9ff3dcd7 c8102220
 S14: a072aa38 70e32a62 f7214fb1 97dbfbfd
 S15: f7c2b622 96a1f9e1 d3e7837f 293f6e86
 S16: e63dc9fd 830944d5 b9fa2257 b0e19402
 S17: eceef697 e76f671f 5e7e8c6e ae43f63b
 S18: a9bccd3a 4ae6b498 40a6ead6 cd6200a8
 S19: 2b624b6b f923eb0f 110ff341 4b1ab902
 S20: a47db290 f068ca62 c9236eec ddb431f4
 S21: a4ad3dc5 7e324250 1938950e 7b3827fd
 S22: 364c32d8 35f63c05 5c8f32dd e560cc8f
 S23: f2fd81dc cd12d0cc 2e4f7834 43a74630

MIC: ff59d683

Encrypted payload: 39d22717 9eae23cc 61dc9143 1cf7afc7
 e58fa90a 8deac91c bf9e7432 672fdfb4
 733508b1 fea7326d 4478eae5 f68812fe
 0f192c3b 2094029e 99a2bf48 2fc3b1cd
 2b16b26d 286a813f fb7d5700 541da599
 08c7362a fde9560c 5459b51f 0a98503b
 f811ecdc 75000997 0f4734cf dd59a91b
 9427eb26 26ffffda2 f4d28574 0727a3a4
 f2da68d6 7d50fa05 06f08743 c8d67f58
 b1ea80ea 704830bc cca78cb8 a8d5e3d8
 f52cd027 8ef92853 3cdb5b9b c2496060
 8f6a0f2c f8bcbbcb fa914612 ee81dae3
 30d1c956 66a41f9f 57686736 a59c9f69
 eaeef17 eda58167 2bd1bb85 63198033
 d9cca15f 8c1bba6c b74f4e0d e333798a
 799b2bda 1a26a781 213367d6 4139fdec
 5c910a65 26f452d7 005c1ff0 1b0f8117
 85f0c459 bffcd1a5 37de9324 1cc96754
 915247f5 03184d21 8e7f17f8 5183d683
 dee04d9b a695dfa0 20a6e35f 4687d936
 81e0ccde 1a8bee66 59a7b108 27a66077
 ca77b3b9 86db2753 ceb9d4ec c68de6dc
 7b29453c 476b4fc6 19410b24 30ebd9

Sample Data**1.2.11 Sample data 11 (2-DH3, Peripheral → Central)**

Payload byte length: 16f
 K: 7b04934f d9d25294 ef1a014d a094f0b5
 Payload counter: 006267f78b
 Zero-length ACL-U Continuation: 0
 Direction: 1
 Initialization vector: 74ca58e8 b136986f
 LT_ADDR: 1
 Packet Type: a
 LLID: 2
 Payload: 969b0972 549738ea 89120710 55797f19
 631dd8e7 219308a0 836e8d6b a55ec08f
 42604406 543c2f96 60c261c3 1c3d8826
 73aab82e bd5a8278 93625aa8 b9a4c5b3
 bc310174 e4d6436e 2e44aa08 1d64e751
 b5501222 dcc34270 6aefd398 1e10b2e2
 56e20d95 1e4e68cc 3fdd4b5c 8e93809a
 ff008232 3b6a864e b8556219 e94fbdd2
 500550e9 939e6108 43a375ab a75d1f6d
 a0304656 b45f488c 0ba40259 4e1ee6a1
 c59301e8 f1507906 40dc0c24 330120c0
 ac7f6707 e7f00d4a ea6c0577 a31abbb6
 4f9b6bab 47bfa387 c89bbbe1 6d8cbd49
 4a9c452f 9d46ab05 dcf0f434 f4c27bce
 2e0e177d 1aba438d 64a8cd72 ca0c170c
 9fa6e227 992fe354 98c94581 f1d869ee
 b07ffcf2 c19b35c8 5e22939e b54c772c
 2c4c0963 f51a653d 777879f2 d1ab67fc
 ba300c9e fa3ba62e 9f70e4b9 1a996f81
 7a9dff0b 56fd15c2 e9858db3 9b33e8c2
 254df11b 64b9ac36 409f2406 5c9e478a
 fc3b8161 b32d1b56 9236e631 23ed2a53
 89d4c4e0 8a799f0a 370e7310 734c9f

B0: 498bf767 62206f98 36b1e858 ca74016f
 B1: 00510200 00000000 00000000 00000000
 B2: 969b0972 549738ea 89120710 55797f19
 B3: 631dd8e7 219308a0 836e8d6b a55ec08f
 B4: 42604406 543c2f96 60c261c3 1c3d8826
 B5: 73aab82e bd5a8278 93625aa8 b9a4c5b3
 B6: bc310174 e4d6436e 2e44aa08 1d64e751
 B7: b5501222 dcc34270 6aefd398 1e10b2e2
 B8: 56e20d95 1e4e68cc 3fdd4b5c 8e93809a
 B9: ff008232 3b6a864e b8556219 e94fbdd2
 B10: 500550e9 939e6108 43a375ab a75d1f6d
 B11: a0304656 b45f488c 0ba40259 4e1ee6a1
 B12: c59301e8 f1507906 40dc0c24 330120c0
 B13: ac7f6707 e7f00d4a ea6c0577 a31abbb6
 B14: 4f9b6bab 47bfa387 c89bbbe1 6d8cbd49
 B15: 4a9c452f 9d46ab05 dcf0f434 f4c27bce
 B16: 2e0e177d 1aba438d 64a8cd72 ca0c170c
 B17: 9fa6e227 992fe354 98c94581 f1d869ee
 B18: b07ffcf2 c19b35c8 5e22939e b54c772c
 B19: 2c4c0963 f51a653d 777879f2 d1ab67fc
 B20: ba300c9e fa3ba62e 9f70e4b9 1a996f81

Sample Data

B21: 7a9dff0b 56fd15c2 e9858db3 9b33e8c2
 B22: 254df11b 64b9ac36 409f2406 5c9e478a
 B23: fc3b8161 b32d1b56 9236e631 23ed2a53
 B24: 89d4c4e0 8a799f0a 370e7310 734c9f00

Y0: 34969012 2648722b fb7771dd b1b38b1b
 Y1: 8c511978 793004c6 975e5f19 93c19d99
 Y2: 482014e5 39ddb4d4 0833c079 5bab45ef
 Y3: b994181f a79795ce a6968237 28ad1659
 Y4: 7b8fea33 1c4c8c50 d8ae584b bfc65033
 Y5: e185c7b7 dd9831f5 2e0d2140 95368c09
 Y6: d598bb23 fb4d4e82 a8b74b2b c95b5b71
 Y7: 6c5c7fc1 8cc70897 3bb594a8 39541943
 Y8: c7f822e8 7546115f 80d57035 7960abb8
 Y9: a430ddc8 58f529f1 97bebc7 e9160550
 Y10: c9bf7627 33253b87 1490fbd7 353a3175
 Y11: 1d93c403 de2c3b76 62e6ea6e cbf757c0
 Y12: 0d607c00 af5502d9 2d56d483 745f6855
 Y13: e27bdc66 de323cff a3a1620d 1637310e
 Y14: 840d6d95 6785fead 710de246 e944bf2e
 Y15: 806b9eb6 6517c4f8 1d55f260 e08f455b
 Y16: 36883866 2f7275ab 6ba45111 2431882d
 Y17: e5b4f1f6 cbbcc363 33ef1b05 94b5385e
 Y18: e8d47695 67be9d89 04445e73 8a45e019
 Y19: 77639b94 f0f9907c db541ef0 c8d45e4b
 Y20: a2bd914a 281e1d5f 0c9b8de4 3fcb6565
 Y21: 6c1072e6 5581e658 7d7a0561 e8a85ddf
 Y22: 8256c105 5c932ba8 bb71936b c727d10f
 Y23: 2f4cc66a d568be7e 500a7448 6c2278ad
 Y24: 2ca06cb0 0009e3c3 9e123a8a 2c2869dc

T: 2ca06cb0

CTR0: 018bf767 62206f98 36b1e858 ca740000
 CTR1: 018bf767 62206f98 36b1e858 ca740001
 CTR2: 018bf767 62206f98 36b1e858 ca740002
 CTR3: 018bf767 62206f98 36b1e858 ca740003
 CTR4: 018bf767 62206f98 36b1e858 ca740004
 CTR5: 018bf767 62206f98 36b1e858 ca740005
 CTR6: 018bf767 62206f98 36b1e858 ca740006
 CTR7: 018bf767 62206f98 36b1e858 ca740007
 CTR8: 018bf767 62206f98 36b1e858 ca740008
 CTR9: 018bf767 62206f98 36b1e858 ca740009
 CTR10: 018bf767 62206f98 36b1e858 ca74000a
 CTR11: 018bf767 62206f98 36b1e858 ca74000b
 CTR12: 018bf767 62206f98 36b1e858 ca74000c
 CTR13: 018bf767 62206f98 36b1e858 ca74000d
 CTR14: 018bf767 62206f98 36b1e858 ca74000e
 CTR15: 018bf767 62206f98 36b1e858 ca74000f
 CTR16: 018bf767 62206f98 36b1e858 ca740010
 CTR17: 018bf767 62206f98 36b1e858 ca740011
 CTR18: 018bf767 62206f98 36b1e858 ca740012
 CTR19: 018bf767 62206f98 36b1e858 ca740013
 CTR20: 018bf767 62206f98 36b1e858 ca740014
 CTR21: 018bf767 62206f98 36b1e858 ca740015
 CTR22: 018bf767 62206f98 36b1e858 ca740016
 CTR23: 018bf767 62206f98 36b1e858 ca740017

Sample Data

S0: 1404487a 919e16c8 b3245d80 2b364231
 S1: 82082cbc 57038db7 4823be9a 34e0a8d7
 S2: 1b5f7526 d26fe763 7669df6e 63743d3a
 S3: a3673258 5020c6cd d72bf517 accb632d
 S4: 8a60ebb6 59c59ac1 a45a1ffd f54f7cd7
 S5: 036f35c7 130c8a30 25e9da14 706df5bc
 S6: e328cbb0 09c91d56 f010b40e e0fc5c3f
 S7: 626d3d67 b53eb139 e155c9a2 df407b17
 S8: d94e430b 829c7caf 289d2898 3c68aa5a
 S9: d6343452 d92cb1ac b3fde90b e2f0789f
 S10: 8ab8413c 0df18adf ae07a74f 82b3c91f
 S11: 61bfac52 125b8fc4 eaac30f7 5a543821
 S12: 68899f8f 2892931d 88b08926 7fa3cfc9
 S13: 86b668c5 4ef24455 22a45f42 61aea816
 S14: f57b4941 8332f0b3 7749ea30 53a711ee
 S15: 593562a8 45c75a7c 70030f08 6fedd965
 S16: f85e742f a743f353 6a22b384 be1dabdc
 S17: ed7e317b 635deed3 e8b619f2 9bc65eb0
 S18: 2035622d 94718ad6 c1631fa2 755883f4
 S19: 40f50638 ad826c4a 3ca4fb88 467445ae
 S20: e27eb632 0c2aee5c 9210b1c7 736fb897
 S21: 711a9be3 c7054fa5 82ec70b6 028489e7
 S22: 7b543081 c52e2cba 26400e6b 46642d0d
 S23: d9564733 01fa7fae 7cfac2a7 239639e2

MIC: 38a424ca

Encrypted payload: 149325ce 0394b55d c131b98a 6199d7ce
 7842adc1 f3fcefc3 f5075285 c62afdb5
 e107765e 041ce95b b7e994d4 b0f6eb0b
 f9ca5398 e49f18b9 37384555 4cebb964
 bf5e34b3 f7dac95e 0bad701c 6d0912ed
 5678d992 d50a5f26 9aff6796 feeceedd
 348f30f2 ab70d9f5 de8882fe 51d3fb8d
 264ec139 b9f6fae1 90c84a81 d5271788
 863164bb 4ab2d0a4 f05e9ca0 45ad67f2
 2a88076a b9aec253 a5a3a516 ccad2fbe
 a42cadba e30bf6c2 aa703cd3 695518e1
 c4f6f888 cf629e57 62dc8c51 dcb9747f
 c92d036e 094de7d2 ea3fe4a3 0c22155f
 bfe70c6e 1e745bb6 abb91e04 a7656a20
 773b75d5 5f7d19f1 14abc27a a5e1ce69
 67f89608 3e6c1007 f2ebf605 4fc5c232
 5d01cd89 a2c6db1b b6948a6c 2e8a299c
 0c796b4e 616befeb b61b6650 a4f3e408
 fac50aa6 57b9ca64 a3d41f31 5ced2a2f
 98e34939 5ad7fb9e 7b953c74 e85c5055
 54576af8 a3bce393 c27354b0 5e1ace6d
 876fb1e0 760337ec b476e85a 6589075e
 508283d3 8b83e0a4 4bf4b1b7 50daa6



1.2.12 Sample data 12 (3-DH5, Central → Peripheral)

Payload byte length: 3fd
 K: 7b04934f d9d25294 ef1a014d a094f0b5
 Payload counter: 006267f78b
 Zero-length ACL-U Continuation: 0
 Direction: 0
 Initialization vector: 74ca58e8 b136986f
 LT_ADDR: 1
 Packet Type: f
 LLID: 2
 Payload: 6d42614c 50694940 209c8bd5 5be57733
 3ec1066a 76cb602e a58ced25 f98ceb94
 58bc3db4 e7c46bb9 e23f9220 68bfca00
 c1da8f08 1c10e526 0ea37fab 3d91be9f
 3a4e68e9 006cca11 fdc76c59 1e20769d
 e1e34385 af105dab 4d44eda7 eacd1974
 5414d5a9 568d67af c05aedd9 6726a130
 7ebe31fd 81881237 c953d2a5 42c57c3b
 019691ef 911953fb 39264712 c61e3e5e
 21286421 85891af5 bf8ca291 59c30596
 11bbe5cd 8f88a7bb b8afd34a 4211eed5
 850ca781 cc9cf5b9 06d5fced 79d35981
 39a1a239 2965b0d5 c6c03a9f e22433ba
 08e7aac7 7d207392 b3486ead dd5c81c6
 5454d575 edd91892 0a2f0fe9 f6d5c037
 fec1272e f22c9aa0 d02b3412 81f60847
 887cd303 a82937cf ded4be2d 139342ce
 bd09041a f5eaa675 4307eb2d 20a60f7b
 1b944afe e3ae1a6f 476021c7 d30d300e
 44f9eaa2 42e8cb7a 6d74d5b5 0f2d6c1b
 d436f44f 1ddf8579 70821a65 117e1200
 e0270f00 7cbe6bb2 020ec332 bc464299
 20131eb1 e8864206 3b4a8324 522cfe0a
 a5209fd7 3f11a1e0 da00c945 835b6b5f
 ec9eaea9 9d177dc0 cbd2efe8 21b388c3
 78b2e137 c84f37a4 5599ffc0 a9106204
 5ed1439f 7e67ea1d 6ab024f7 247e85df
 bf15d19c b0f488d2 cb06bed9 644ec34c
 2e69f752 4af38319 81c7556e 359bfaf5
 22a00878 4ce3e7e2 362698ea 6c00001d
 fdf0936d 2cf7a318 ed4f0447 ad506cdd
 c2fcf8b7 328bb527 063859b5 f60819d3
 eebdd291 0a12c6af 1c670a30 38fd9e2c
 4a6a3ad7 a51982bd 8d4fabf5 a8c16517
 831661b0 09405052 9fba337b 2b3544cf
 6811a761 093afd66 8b154a21 a5941b88
 a482c5ce f04b18c1 c2e67d7d f90c3a4d
 d4ee12fe 4b734174 d3ee8b0c 1ade74eb
 237710da 4694764b 7cce26c4 7a2570bf
 30bb18c7 6571ab05 26892de7 b5d62840
 7f300971 14d6014b 2ca566b3 d6ad1ef5
 96e552e6 defc287e 6a5a5c16 be31d26a
 392e1570 a9f9e0b3 32d223e5 b15407f3
 41cc55f8 3296f3f5 175ebece 580a3f24
 49494406 fa75e051 c829441b ce7cba98

Sample Data



```

cb7ea85d 8031787d 9495b971 c6925f64
2726ef05 932d3f1a 14a9bd1a d88a9b31
6f54d80e 9fe31dcf c94c1f6a 92cc2c82
60bd9296 e075b884 2976b667 041800df
520e7a28 e5b9314a 0bb93966 1aba4643
829544e2 d69f255c ce5bfa89 9a4704f3
be803081 fbc36f5c 65fb13c8 69fc770a
07cbc8ff 50b8dbe3 b171e9f9 ebc8cf22
49127607 32973806 95979b3c d75a3f8f
f933a408 d4945f63 96755d6e 493b554b
58e78f5b a21d31b3 bbcddf62 83e94233
15a3bea8 3a6ff73f f02809da 3c6d8208
acfd6f05 b62bb5a5 91f1e4d5 4b84d357
2f00672a 3e3c434c 1736072b 45f6370c
bb46706b 56a57e86 3ed2217a 816e5c09
1e2895f7 89b57c5e c0a67011 d5f2f69d
6dac3941 3bc897dc cb42d3bc ffda31e0
e961f3fb e4f40041 69e86cc0 530e891c

```

7665902a 1ce0804c 921780ae e2

```

B0: 498bf767 62006f98 36b1e858 ca7403fd
B1: 00790200 00000000 00000000 00000000
B2: 6d42614c 50694940 209c8bd5 5be57733
B3: 3ec1066a 76cb602e a58ced25 f98ceb94
B4: 58bc3db4 e7c46bb9 e23f9220 68bfca00
B5: c1da8f08 1c10e526 0ea37fab 3d91be9f
B6: 3a4e68e9 006cca11 fdc76c59 1e20769d
B7: e1e34385 af105dab 4d44eda7 eacd1974
B8: 5414d5a9 568d67af c05aedd9 6726a130
B9: 7ebe31fd 81881237 c953d2a5 42c57c3b
B10: 019691ef 911953fb 39264712 c61e3e5e
B11: 21286421 85891af5 bf8ca291 59c30596
B12: 11bbe5cd 8f88a7bb b8afd34a 4211eed5
B13: 850ca781 cc9cf5b9 06d5fced 79d35981
B14: 39a1a239 2965b0d5 c6c03a9f e22433ba
B15: 08e7aac7 7d207392 b3486ead dd5c81c6
B16: 5454d575 edd91892 0a2f0fe9 f6d5c037
B17: fec1272e f22c9aa0 d02b3412 81f60847
B18: 887cd303 a82937cf ded4be2d 139342ce
B19: bd09041a f5eaa675 4307eb2d 20a60f7b
B20: 1b944afe e3ae1a6f 476021c7 d30d300e
B21: 44f9eaa2 42e8cb7a 6d74d5b5 0f2d6c1b
B22: d436f44f 1ddf8579 70821a65 117e1200
B23: e0270f00 7cbe6bb2 020ec332 bc464299
B24: 20131eb1 e8864206 3b4a8324 522cfe0a
B25: a5209fd7 3f11a1e0 da00c945 835b6b5f
B26: ec9eaea9 9d177dc0 cbd2efe8 21b388c3
B27: 78b2e137 c84f37a4 5599ffc0 a9106204
B28: 5ed1439f 7e67ea1d 6ab024f7 247e85df
B29: bf15d19c b0f488d2 cb06bed9 644ec34c
B30: 2e69f752 4af38319 81c7556e 359bfaf5
B31: 22a00878 4ce3e7e2 362698ea 6c00001d
B32: fdf0936d 2cf7a318 ed4f0447 ad506cdd
B33: c2fcf8b7 328bb527 063859b5 f60819d3
B34: eebdd291 0a12c6af 1c670a30 38fd9e2c
B35: 4a6a3ad7 a51982bd 8d4fabf5 a8c16517
B36: 831661b0 09405052 9fba337b 2b3544cf

```

Sample Data



B37: 6811a761 093afd66 8b154a21 a5941b88
 B38: a482c5ce f04b18c1 c2e67d7d f90c3a4d
 B39: d4ee12fe 4b734174 d3ee8b0c 1ade74eb
 B40: 237710da 4694764b 7cce26c4 7a2570bf
 B41: 30bb18c7 6571ab05 26892de7 b5d62840
 B42: 7f300971 14d6014b 2ca566b3 d6ad1ef5
 B43: 96e552e6 defc287e 6a5a5c16 be31d26a
 B44: 392e1570 a9f9e0b3 32d223e5 b15407f3
 B45: 41cc55f8 3296f3f5 175ebece 580a3f24
 B46: 49494406 fa75e051 c829441b ce7cba98
 B47: cb7ea85d 8031787d 9495b971 c6925f64
 B48: 2726ef05 932d3f1a 14a9bd1a d88a9b31
 B49: 6f54d80e 9fe31dcf c94c1f6a 92cc2c82
 B50: 60bd9296 e075b884 2976b667 041800df
 B51: 520e7a28 e5b9314a 0bb93966 1aba4643
 B52: 829544e2 d69f255c ce5bfa89 9a4704f3
 B53: be803081 fbc36f5c 65fb13c8 69fc770a
 B54: 07cbc8ff 50b8dbe3 b171e9f9 ebc8cf22
 B55: 49127607 32973806 95979b3c d75a3f8f
 B56: f933a408 d4945f63 96755d6e 493b554b
 B57: 58e78f5b a21d31b3 bbcddf62 83e94233
 B58: 15a3bea8 3a6ff73f f02809da 3c6d8208
 B59: acfd6f05 b62bb5a5 91f1e4d5 4b84d357
 B60: 2f00672a 3e3c434c 1736072b 45f6370c
 B61: bb46706b 56a57e86 3ed2217a 816e5c09
 B62: 1e2895f7 89b57c5e c0a67011 d5f2f69d
 B63: 6dac3941 3bc897dc cb42d3bc ffda31e0
 B64: e961f3fb e4f40041 69e86cc0 530e891c
 B65: 7665902a 1ce0804c 921780ae e2000000

Y0: ebe10d25 4ab27e31 1ea87d16 867d7904
 Y1: 99b84ef8 a25d519e 700f76f1 85a74583
 Y2: 23fd3478 f96bddd9 dd2e7ded 25f2515e
 Y3: 5659d15b 1b569b1f 298f4430 7459cbe0
 Y4: d0e6d2f8 939e7c9d 3774cf46 642295ce
 Y5: 7e6662bc 99ec7ecc d985ddd4 d2365187
 Y6: 421bb569 a5f4d07a 5157fed4 db03f630
 Y7: 9fa62969 f43263b1 ac3e269f 15b844ff
 Y8: a36e0d50 b75b2feb 45d8c9ee 052f33e4
 Y9: 6245ece7 0ad0e314 2ce6ad6b f406b745
 Y10: 41ff1de6 e1b3ccce eb6cfb07 fd150751
 Y11: 43cae883 dd43266d 2f717cd4 b7c777ba
 Y12: 92e3f4b7 bc4b8613 38c0043b 6885fbfb
 Y13: b1595644 ec0a8e4e 803994e6 f3d284c5
 Y14: e9f7ec01 c4f11349 a5f0a3aa efe88c98
 Y15: 8c48cadc 7483c350 c11b6cb4 b8f32b25
 Y16: b76f72f5 d54da8e0 b70bcaae 0727f4ed
 Y17: b700d8e8 585256f8 38530196 ef3a4a6e
 Y18: e0a0f7f0 8f252298 48f8e404 ff4d9f93
 Y19: aea86952 8f028974 d890f4e5 52e6da13
 Y20: 36566635 1c0a0078 9ee4499b d30ac682
 Y21: 886e6fcb 9e9fe3e8 dbfa13ae 7d1e44a7
 Y22: 43c5285e de2846da 266a4720 cbd3713e
 Y23: 52c47b3e d9a6666e 566eaba7 9275a90f
 Y24: ac04ee00 56922a78 5f48347a 3a2360f7
 Y25: 33b5496f 546e71f0 80272f6a d189898a
 Y26: 5519cbaf ff8fe542 4934f09a 39584456

Sample Data

Y27: 913a3746 5e6ad4c1 7fce844c f72dc1d8
 Y28: 46cef034 a103a8f4 ac13040c 6c466b4b
 Y29: 6cbffa5e 2dff5b95 87ba863b 26eab593
 Y30: f3dbf258 03f21f71 4d03c4a2 7be84598
 Y31: b3c7f849 ab6e9612 e9ece9d5 57c4c813
 Y32: 39043423 c60f8fd8 2c108055 6f387c76
 Y33: f9dd8872 1fa6f4f4 e5345613 fd5495fd
 Y34: cf3d7135 63d2ccfd 41507bd0 fe759830
 Y35: 8215cff7 93ae5d92 446fb102 632b4fb8
 Y36: 8b02ecb6 fcc063f6 fb41e34a 19afdb3a
 Y37: 982e82d3 171d9fb0 ab5b8fbf 17dc00d2
 Y38: 2dc18652 f4818748 e3c5fe0e 36b47716
 Y39: e6eaef36 46e56552 8ed8c309 ea46ba7f
 Y40: 40842220 827424b0 b2f7d5cf b201b5e4
 Y41: 5153e29d bc85bafb 36dea69c ec1f1a43
 Y42: 08614ff3 44d96b3a f5b9e763 5600b69c
 Y43: 2550a964 b17af58b 1843199b 1394de57
 Y44: 11cda830 619505fa 49d971c9 c8051abb
 Y45: d73824df 17b8ccc2 b52ba9ea ff6f6097
 Y46: 100d3219 3486065d 9e7e7ebd 235c34c1
 Y47: 440e8fbf e2af1797 2fa75056 2e1941d4
 Y48: 91eb5850 4d92d2b8 a64b0e8e 34cf38ef
 Y49: 715b4924 0a081cee 2509e363 c746ba6b
 Y50: 1cc42047 e5fa2dfb 1c0901f0 a01676c5
 Y51: 2634d6db 62d0d5b7 328c5278 6d44b7b1
 Y52: 79a0548c 8589f663 323c1604 6af753a8
 Y53: e0ba54a0 412e68c1 13c5daf1 8a6e275a
 Y54: a1a5e608 3359873b cfb66476 052fcb79
 Y55: ce70f15c f2971ebe 7c2d1e3c a288f591
 Y56: d9a64946 58968fda 4756668d a5b82b89
 Y57: 0c2d5786 6ae786a6 03c6db95 6d26186a
 Y58: 00732c24 192905a4 3edaeb0d cc3d4a95
 Y59: ae9a2e1c 042112df 4578395b cba685b1
 Y60: 50fdc48d 0af8812c b3e64e85 3316b083
 Y61: d2c14e67 888a7401 85bd5b91 37d6977a
 Y62: 4b882e82 ca8338bb 2278c4d3 8d07f474
 Y63: 4bf051e5 19bc961e 38c52cae 50e61d87
 Y64: 657025a1 064ec7d6 e1d16bc0 049931bf
 Y65: 6de9dbe8 c5a2ed24 66701ea3 4caee13e

T: 6de9dbe8

CTR0: 018bf767 62006f98 36b1e858 ca740000
 CTR1: 018bf767 62006f98 36b1e858 ca740001
 CTR2: 018bf767 62006f98 36b1e858 ca740002
 CTR3: 018bf767 62006f98 36b1e858 ca740003
 CTR4: 018bf767 62006f98 36b1e858 ca740004
 CTR5: 018bf767 62006f98 36b1e858 ca740005
 CTR6: 018bf767 62006f98 36b1e858 ca740006
 CTR7: 018bf767 62006f98 36b1e858 ca740007
 CTR8: 018bf767 62006f98 36b1e858 ca740008
 CTR9: 018bf767 62006f98 36b1e858 ca740009
 CTR10: 018bf767 62006f98 36b1e858 ca74000a
 CTR11: 018bf767 62006f98 36b1e858 ca74000b
 CTR12: 018bf767 62006f98 36b1e858 ca74000c
 CTR13: 018bf767 62006f98 36b1e858 ca74000d
 CTR14: 018bf767 62006f98 36b1e858 ca74000e

Sample Data

CTR15: 018bf767 62006f98 36b1e858 ca74000f
CTR16: 018bf767 62006f98 36b1e858 ca740010
CTR17: 018bf767 62006f98 36b1e858 ca740011
CTR18: 018bf767 62006f98 36b1e858 ca740012
CTR19: 018bf767 62006f98 36b1e858 ca740013
CTR20: 018bf767 62006f98 36b1e858 ca740014
CTR21: 018bf767 62006f98 36b1e858 ca740015
CTR22: 018bf767 62006f98 36b1e858 ca740016
CTR23: 018bf767 62006f98 36b1e858 ca740017
CTR24: 018bf767 62006f98 36b1e858 ca740018
CTR25: 018bf767 62006f98 36b1e858 ca740019
CTR26: 018bf767 62006f98 36b1e858 ca74001a

CTR27: 018bf767 62006f98 36b1e858 ca74001b
CTR28: 018bf767 62006f98 36b1e858 ca74001c
CTR29: 018bf767 62006f98 36b1e858 ca74001d
CTR30: 018bf767 62006f98 36b1e858 ca74001e
CTR31: 018bf767 62006f98 36b1e858 ca74001f
CTR32: 018bf767 62006f98 36b1e858 ca740020
CTR33: 018bf767 62006f98 36b1e858 ca740021
CTR34: 018bf767 62006f98 36b1e858 ca740022
CTR35: 018bf767 62006f98 36b1e858 ca740023
CTR36: 018bf767 62006f98 36b1e858 ca740024
CTR37: 018bf767 62006f98 36b1e858 ca740025
CTR38: 018bf767 62006f98 36b1e858 ca740026
CTR39: 018bf767 62006f98 36b1e858 ca740027
CTR40: 018bf767 62006f98 36b1e858 ca740028
CTR41: 018bf767 62006f98 36b1e858 ca740029
CTR42: 018bf767 62006f98 36b1e858 ca74002a
CTR43: 018bf767 62006f98 36b1e858 ca74002b
CTR44: 018bf767 62006f98 36b1e858 ca74002c
CTR45: 018bf767 62006f98 36b1e858 ca74002d
CTR46: 018bf767 62006f98 36b1e858 ca74002e
CTR47: 018bf767 62006f98 36b1e858 ca74002f
CTR48: 018bf767 62006f98 36b1e858 ca740030
CTR49: 018bf767 62006f98 36b1e858 ca740031
CTR50: 018bf767 62006f98 36b1e858 ca740032
CTR51: 018bf767 62006f98 36b1e858 ca740033
CTR52: 018bf767 62006f98 36b1e858 ca740034
CTR53: 018bf767 62006f98 36b1e858 ca740035
CTR54: 018bf767 62006f98 36b1e858 ca740036
CTR55: 018bf767 62006f98 36b1e858 ca740037
CTR56: 018bf767 62006f98 36b1e858 ca740038
CTR57: 018bf767 62006f98 36b1e858 ca740039
CTR58: 018bf767 62006f98 36b1e858 ca74003a
CTR59: 018bf767 62006f98 36b1e858 ca74003b
CTR60: 018bf767 62006f98 36b1e858 ca74003c
CTR61: 018bf767 62006f98 36b1e858 ca74003d
CTR62: 018bf767 62006f98 36b1e858 ca74003e
CTR63: 018bf767 62006f98 36b1e858 ca74003f
CTR64: 018bf767 62006f98 36b1e858 ca740040

S0: 254593c4 cd12c6a7 d9dec572 95524b75
S1: af492e65 ca391b26 e8ce9653 498ed0de
S2: 869271ed ac79c1bc 3cf0f959 c2711f3b
S3: 31554cb7 aa9b1dfb 24ba8b26 eab59ad8
S4: 7cb39415 9dce80e6 0ac0e5e0 9667747e

Sample Data

S5: 9727b319 ccbcc251 d539fd08 497942c8
S6: bd972408 212a147c 3eb66687 1488e2d9
S7: aef3e149 6b4e615b 309a7f93 53ca2981
S8: 6b276914 1d957bec 4c87e76d ee681e76
S9: a2df383f eece9b0d 4553f2e8 6f8b6035
S10: 11dac6bc c4177830 c7038ee1 e6cb0579
S11: 30bfd1cf 7fa95155 7c0757bf f14840a0
S12: 2315682b 1f4cb1f6 10fd4365 4d9b6155
S13: 7f4aa2fd 211bbc18 9ff3dcd7 c8102220
S14: a072aa38 70e32a62 f7214fb1 97dbfbfd
S15: f7c2b622 96a1f9e1 d3e7837f 293f6e86
S16: e63dc9fd 830944d5 b9fa2257 b0e19402
S17: eceef697 e76f671f 5e7e8c6e ae43f63b
S18: a9bccd3a 4ae6b498 40a6ead6 cd6200a8
S19: 2b624b6b f923eb0f 110fff341 4b1ab902
S20: a47db290 f068ca62 c9236eec ddb431f4
S21: a4ad3dc5 7e324250 1938950e 7b3827fd
S22: 364c32d8 35f63c05 5c8f32dd e560cc8f
S23: f2fd81dc cd12d0cc 2e4f7834 43a74630
S24: 7875bf58 8a162375 b25069d6 b82f4f36
S25: a66bb2d0 43870301 47dbe7f1 92f04b34
S26: 52b87f3e 796b208e 5a0f57c1 6de88c53
S27: 312e84cd 8f627142 ffa9b6cd 56ce3c59
S28: 6695a4dd 1e85cb05 c2070e7c fa16dd90
S29: 10df7734 8a106a97 3b37c508 e54fc157
S30: 54abd840 17756b69 0b7e187b ef5c8ea5
S31: 0bf5f442 c3fecabd 64b313ca 9787f134
S32: aaed31c5 98d1b73a ceaf242d 37b08fd4
S33: 37946570 fcf94220 77cf63da 4781771b
S34: ab5dd397 a7c0d893 7b17c1d2 eb9bc233
S35: 7367b29c 0ecc6a76 1a3c5602 40ca2ca2
S36: 6b593c6d f7485995 f36f1169 089c0be9
S37: ffca503f cfb8848c 73e37041 508128a3
S38: 444e1461 b95ef61a 90c93236 5aaa9fa8
S39: 4099c123 717f86df 23e16eaf 7ed015df
S40: 730217d1 28fa1af8 720864ad 99430469
S41: 43e6b844 95068645 5aca15ed 1bc668a6
S42: 9ee17b6a 65f56326 42e4b829 b5348945
S43: acf20ec7 151b75f0 dd4023ba d099b71c
S44: 41880777 e033c519 79eee51e 14a9246d
S45: 02bb2b01 4981e028 ddb66c67 a7077a1b
S46: db90a526 db75c631 d31af69d ef7b9082
S47: fddfd4a5 35a30553 78f655cb eae4d1d3
S48: 3472e976 3205e39b e8295a5d 9be10244
S49: fbe961bd 23f25c70 c87cac28 157b55d1
S50: 20a9174a 8da17e48 167086fd 5201ccbb
S51: 390a62b8 90a669c1 b89476ac a46ee788
S52: e354ab7f bd3afd7d 02361116 91afb21
S53: cbe14419 ab1a4841 3155aaab e1d41a64
S54: cf8fd9f8 8d63ce6a c4c81f7b 852a081f
S55: c6abaae1 44875175 f239963a 194565d1
S56: 8f420880 95982bda d1317139 e9ca663b
S57: 5c7e5c2e 9a457be9 325620ed e0465cf7
S58: f9eb32f4 e1804702 eaff74d1 dea8a295
S59: eb66a965 5551f198 b13495a8 2200509c
S60: a0ee623d 5562b3a6 2cea2c8d f60eb0d8
S61: e7562630 9f7d5b7b 4da8effc e4a1e015

Sample Data



S62: fa1a5da9 7cdfed2b efd7b409 e065c33e
 S63: 238ac0b6 f00d1b5b 77b091cc f4a4ffc4
 S64: 533e37d7 b179b943 53511492 e4f58248

MIC: 48ac482c

Encrypted payload: c20b4f29 9a505266 c8521d86 126ba7ed
 b8537787 dab2a192 997c147c 3bdfd4af
 69e97103 4d5f7642 c6851906 820a50d8
 bd691b1d 81de65c0 04639a4b abf6cae1
 ad69dbf0 ccd00840 28fe9151 57593455
 5c74678d 8e3a49d7 73f28b20 fe45fbad
 fae734e0 3dc306f4 f0c0924a 34ec88b1
 159958e9 9c1d69db 85d435c8 acad624d
 a349a9d0 7fd7c8f6 7c75b5fa a9955e6b
 30f2a29d 419e62c5 788f2c70 bf0800ef
 21043402 f021f6ee c4a884f5 b359ae75
 a619cfaa d3d0444f 1628bf88 344838d4
 46eb00c4 087e0ccd 5933e648 2a34119a
 a89500ff 0dc359f0 4469211c 4a877a3b
 a3966357 7b78e173 d9c88c96 dfeaaeb1
 18fceed3 7125de75 69d11645 31179c45
 64922594 4f4650d0 80aa3243 bdd0b4f5
 14b5c920 bf0c12ed 03a101fb edc40fd3
 30f60195 1a8df160 566fd286 9817890c
 e0845832 b2800118 a457bb59 d2995def
 709bc98a 63edc729 69ba8f6b 6a4635fd
 d66b3dd8 494857b7 5e81f1ef 59268e16
 d2ee9f6d 259492ca 1505fb10 118bb83a
 dd55208f b5078295 6850a093 3b742469
 4af51c79 de907ec1 8c090819 b343c3f7
 2a0a9e09 b124172a 0f96a801 c4f8ee57
 6ffffc752 f1059b5f 9519923a 72b0b986
 d9807541 ae7143d7 0901b0a5 9e581edc
 3eb68066 c0e3e98e baf09066 d0d43ba2
 760bd038 5b968c8b 3d588091 835c8eb8
 f605672f ef0969a5 89fc178d 3ad79de9
 6811c972 aa5a021d c8977d98 c1b89607
 d929b7e1 f6eb848f 6ba869ea 7f7ce937
 e137e940 02d95a2e f6586a27 435aa724
 f071d32c 078c3a24 85866579 6bff686d
 03489b0c fe72a4f3 787a5b48 ad081061
 5b4895f1 3ff39c4d b1050d3c a98d12ee
 90a0069f f22db76e 4327b93a 4074eb43
 63eed1f9 37ebf094 5f2f486b 04f56560
 43b90f16 4d8bb1fd 5481494a 2c952c29
 3cd6b135 81d0870e 766f735e cd6b7653
 0804298c bb094b58 28bee43f 0b055b2f
 95dc1bb7 bce29543 ef92005f 61cdb0ef
 0044528f d2a536ec 6eb05bd0 4ca31b49
 4bf26f07 b3f40079 159f287c 697bc083
 10ee0d7b 5b44be4c 478f4fec 29e9cfe6
 daf93540 a68e3a49 6c5fe8d1 326e4ae2
 5b263178 ade6fe54 21654537 092d2ec6
 9b54f32b c387e4f4 e10a1a4f 1163550e
 72a76d62 68184f02 1dc9bf9b 48bb8af8
 bb9f265a 46394c9d 76cf8c25 3e29e37b
 5dd49bfe 46f99221 67cd02de f853c82b

Sample Data

```
cc2a8ce6 fba293a2 80244352 0a1cd546
869dafff bff4f66c 515f8447 52703790
3f980ee9 90130e16 644ccb54 507e309a
d7a587db 37851a69 6afcae5b 6a232408
49dde286 a02a8cd6 c27e2937 dc2bdeff
55165df1 57abf2a7 7b0e9004 952c71c2
c466ce4f 6b6db2d4 a6029283 67f66790
1ba81256 03c7cd20 12380df7 7760ecd1
f97eb3c7 16c82725 8d0e9fed 31531688
97b664e8 47177af7 249567b5 1fbff2de
caeb334d 14f91b1a 1e58fd0c a7aa76d8
255ba7fd ad99390f c146943c 06
```

Sample Data**1.2.13 Sample data 13 (3-DH5, Peripheral → Central)**

Payload byte length: 3fd
 K: 7b04934f d9d25294 ef1a014d a094f0b5
 Payload counter: 006267f78b
 Zero-length ACL-U Continuation: 0
 Direction: 1
 Initialization vector: 74ca58e8 b136986f
 LT_ADDR: 1
 Packet Type: f
 LLID: 2
 Payload: 6d42614c 50694940 209c8bd5 5be57733
 3ec1066a 76cb602e a58ced25 f98ceb94
 58bc3db4 e7c46bb9 e23f9220 68bfca00
 c1da8f08 1c10e526 0ea37fab 3d91be9f
 3a4e68e9 006cca11 fdc76c59 1e20769d
 e1e34385 af105dab 4d44eda7 eacd1974
 5414d5a9 568d67af c05aedd9 6726a130
 7ebe31fd 81881237 c953d2a5 42c57c3b
 019691ef 911953fb 39264712 c61e3e5e
 21286421 85891af5 bf8ca291 59c30596
 11bbe5cd 8f88a7bb b8afd34a 4211eed5
 850ca781 cc9cf5b9 06d5fced 79d35981
 39a1a239 2965b0d5 c6c03a9f e22433ba
 08e7aac7 7d207392 b3486ead dd5c81c6
 5454d575 edd91892 0a2f0fe9 f6d5c037
 fec1272e f22c9aa0 d02b3412 81f60847
 887cd303 a82937cf ded4be2d 139342ce
 bd09041a f5eaa675 4307eb2d 20a60f7b
 1b944afe e3ae1a6f 476021c7 d30d300e
 44f9eaa2 42e8cb7a 6d74d5b5 0f2d6c1b
 d436f44f 1ddf8579 70821a65 117e1200
 e0270f00 7cbe6bb2 020ec332 bc464299
 20131eb1 e8864206 3b4a8324 522cfe0a
 a5209fd7 3f11a1e0 da00c945 835b6b5f
 ec9eaea9 9d177dc0 cbd2efe8 21b388c3
 78b2e137 c84f37a4 5599ffc0 a9106204
 5ed1439f 7e67ea1d 6ab024f7 247e85df
 bf15d19c b0f488d2 cb06bed9 644ec34c
 2e69f752 4af38319 81c7556e 359bfaf5
 22a00878 4ce3e7e2 362698ea 6c00001d
 fdf0936d 2cf7a318 ed4f0447 ad506cdd
 c2fcf8b7 328bb527 063859b5 f60819d3
 eebdd291 0a12c6af 1c670a30 38fd9e2c
 4a6a3ad7 a51982bd 8d4fabf5 a8c16517
 831661b0 09405052 9fba337b 2b3544cf
 6811a761 093afd66 8b154a21 a5941b88
 a482c5ce f04b18c1 c2e67d7d f90c3a4d
 d4ee12fe 4b734174 d3ee8b0c 1ade74eb
 237710da 4694764b 7cce26c4 7a2570bf
 30bb18c7 6571ab05 26892de7 b5d62840
 7f300971 14d6014b 2ca566b3 d6ad1ef5
 96e552e6 defc287e 6a5a5c16 be31d26a
 392e1570 a9f9e0b3 32d223e5 b15407f3
 41cc55f8 3296f3f5 175ebece 580a3f24
 49494406 fa75e051 c829441b ce7cba98

Sample Data



```

cb7ea85d 8031787d 9495b971 c6925f64
2726ef05 932d3f1a 14a9bd1a d88a9b31
6f54d80e 9fe31dcf c94c1f6a 92cc2c82
60bd9296 e075b884 2976b667 041800df
520e7a28 e5b9314a 0bb93966 1aba4643
829544e2 d69f255c ce5bfa89 9a4704f3
be803081 fbc36f5c 65fb13c8 69fc770a
07cbc8ff 50b8dbe3 b171e9f9 ebc8cf22
49127607 32973806 95979b3c d75a3f8f
f933a408 d4945f63 96755d6e 493b554b
58e78f5b a21d31b3 bbcddf62 83e94233
15a3bea8 3a6ff73f f02809da 3c6d8208
acfd6f05 b62bb5a5 91f1e4d5 4b84d357
2f00672a 3e3c434c 1736072b 45f6370c
bb46706b 56a57e86 3ed2217a 816e5c09
1e2895f7 89b57c5e c0a67011 d5f2f69d
6dac3941 3bc897dc cb42d3bc ffda31e0
e961f3fb e4f40041 69e86cc0 530e891c
7665902a 1ce0804c 921780ae e2
    
```

```

B0: 498bf767 62206f98 36b1e858 ca7403fd
B1: 00790200 00000000 00000000 00000000
B2: 6d42614c 50694940 209c8bd5 5be57733
B3: 3ec1066a 76cb602e a58ced25 f98ceb94
B4: 58bc3db4 e7c46bb9 e23f9220 68bfca00
B5: c1da8f08 1c10e526 0ea37fab 3d91be9f
B6: 3a4e68e9 006cca11 fdc76c59 1e20769d
B7: e1e34385 af105dab 4d44eda7 eacd1974
B8: 5414d5a9 568d67af c05aedd9 6726a130
B9: 7ebe31fd 81881237 c953d2a5 42c57c3b
B10: 019691ef 911953fb 39264712 c61e3e5e
B11: 21286421 85891af5 bf8ca291 59c30596
B12: 11bbe5cd 8f88a7bb b8afd34a 4211eed5
B13: 850ca781 cc9cf5b9 06d5fced 79d35981
B14: 39a1a239 2965b0d5 c6c03a9f e22433ba
B15: 08e7aac7 7d207392 b3486ead dd5c81c6
B16: 5454d575 edd91892 0a2f0fe9 f6d5c037
B17: fec1272e f22c9aa0 d02b3412 81f60847
B18: 887cd303 a82937cf ded4be2d 139342ce
B19: bd09041a f5eaa675 4307eb2d 20a60f7b
B20: 1b944afe e3ae1a6f 476021c7 d30d300e
B21: 44f9eaa2 42e8cb7a 6d74d5b5 0f2d6c1b
B22: d436f44f 1ddf8579 70821a65 117e1200
B23: e0270f00 7cbe6bb2 020ec332 bc464299
B24: 20131eb1 e8864206 3b4a8324 522cfe0a
B25: a5209fd7 3f11a1e0 da00c945 835b6b5f
B26: ec9eaea9 9d177dc0 cbd2efe8 21b388c3
B27: 78b2e137 c84f37a4 5599ffc0 a9106204
B28: 5ed1439f 7e67ea1d 6ab024f7 247e85df
B29: bf15d19c b0f488d2 cb06bed9 644ec34c
B30: 2e69f752 4af38319 81c7556e 359bfaf5
B31: 22a00878 4ce3e7e2 362698ea 6c00001d
B32: fdf0936d 2cf7a318 ed4f0447 ad506cdd
B33: c2fcf8b7 328bb527 063859b5 f60819d3
B34: eebdd291 0a12c6af 1c670a30 38fd9e2c
B35: 4a6a3ad7 a51982bd 8d4fabf5 a8c16517
B36: 831661b0 09405052 9fba337b 2b3544cf
    
```

Sample Data

B37: 6811a761 093afd66 8b154a21 a5941b88
 B38: a482c5ce f04b18c1 c2e67d7d f90c3a4d
 B39: d4ee12fe 4b734174 d3ee8b0c 1ade74eb
 B40: 237710da 4694764b 7cce26c4 7a2570bf
 B41: 30bb18c7 6571ab05 26892de7 b5d62840
 B42: 7f300971 14d6014b 2ca566b3 d6ad1ef5
 B43: 96e552e6 defc287e 6a5a5c16 be31d26a
 B44: 392e1570 a9f9e0b3 32d223e5 b15407f3
 B45: 41cc55f8 3296f3f5 175ebece 580a3f24
 B46: 49494406 fa75e051 c829441b ce7cba98
 B47: cb7ea85d 8031787d 9495b971 c6925f64
 B48: 2726ef05 932d3f1a 14a9bd1a d88a9b31
 B49: 6f54d80e 9fe31dcf c94c1f6a 92cc2c82
 B50: 60bd9296 e075b884 2976b667 041800df
 B51: 520e7a28 e5b9314a 0bb93966 1aba4643
 B52: 829544e2 d69f255c ce5bfa89 9a4704f3
 B53: be803081 fbc36f5c 65fb13c8 69fc770a
 B54: 07cbc8ff 50b8dbe3 b171e9f9 ebc8cf22
 B55: 49127607 32973806 95979b3c d75a3f8f
 B56: f933a408 d4945f63 96755d6e 493b554b
 B57: 58e78f5b a21d31b3 bbcddf62 83e94233
 B58: 15a3bea8 3a6ff73f f02809da 3c6d8208
 B59: acfd6f05 b62bb5a5 91f1e4d5 4b84d357
 B60: 2f00672a 3e3c434c 1736072b 45f6370c
 B61: bb46706b 56a57e86 3ed2217a 816e5c09
 B62: 1e2895f7 89b57c5e c0a67011 d5f2f69d
 B63: 6dac3941 3bc897dc cb42d3bc ffda31e0
 B64: e961f3fb e4f40041 69e86cc0 530e891c
 B65: 7665902a 1ce0804c 921780ae e2000000

Y0: b7b63a11 d2ff710c 5d821353 120fe064
 Y1: 31635446 16989968 dbd392df 77ab44b2
 Y2: fe667b06 7ef88846 a74b5119 476c5ca9
 Y3: 03db41e6 902e40ff fa6d86e6 92a2c630
 Y4: 0a1c2366 e55a2cd0 701fe43d 34becee0
 Y5: 8e8c6fd4 dfb9071b 3feb7938 defa835e
 Y6: 61b2fe53 6f876519 43698e8d f7ca327e
 Y7: 3705a0c3 39989f81 377afb1b d9f01569
 Y8: d96211f1 959c7a64 3ee0a727 b4ad2ae2
 Y9: 7cdc85ed d204d4ce 33665710 bcd4f7f1
 Y10: 9a6d0fed cfde263e 62eddf28 fab38c98
 Y11: 98915f60 f70cc4df 74ac9931 1a4f2990
 Y12: 4a88113a 754243af c00324ef 117678f7
 Y13: a0f620c0 b3a903fa 648210ef 63eef46f
 Y14: f526db99 20291004 225a762f 129e58ff
 Y15: 8ee96b03 494a8b18 1e1194b7 babb8a27
 Y16: 59b69b74 0455f2ac 65f9c651 34ceae70
 Y17: 9c0a2ee9 64e57ffb 57bcd10d f3c8a567
 Y18: ee339202 c09ff61a 72fc2a2f 183b370e
 Y19: 57b1bac2 63769a7b db0eac84 6b49aca4
 Y20: 20e3786a e9526a50 cdc9dcc5 c579a3bf
 Y21: 6bc61121 214dd538 aa3cc0a3 9abab72a
 Y22: 5a42d758 fb854450 55199e78 ba42ca62
 Y23: fc9cf1f6 58691ce8 01ca2501 25223403
 Y24: cfa5ab4f 90431bc8 f832f148 db633e8e
 Y25: 7254ae54 60a7dcbd 3470df60 7af3c1ca
 Y26: 436205c4 763e68ab 390907e2 da236e8d

Sample Data

Y27: 6738b5db e1b8b739 d5eccc0d 47ab511c
 Y28: 65a1dd1e f661d376 1c917ea7 f171dc7e
 Y29: 55a82897 a7d19703 87e783cd 52ddecd8
 Y30: 7e0ae507 5c9b8dc1 e4981e02 377472b5
 Y31: 035d4dd3 493a84b5 0c2bd3ae 2f9f728b
 Y32: 34441d1c cd9400d9 164c74b3 5021a97e
 Y33: 4c5c3051 0c1d8571 782993c0 3a7a9e13
 Y34: 63453300 3bc6cc3d 53a36db3 79f2b047
 Y35: e3630826 7ac4040c b087d657 953a4560
 Y36: 967ef5bd bf821572 466bf00f aefd751b
 Y37: 4f19c371 c5da0b9f 4bc55452 05dab223
 Y38: 6fa54807 d40a41ca 3c41bf6a 890d56c9
 Y39: fb2d42e7 013c1e0d 17aa1e01 090fe190
 Y40: f6104499 02efdc76 6cae97b7 f27d8765
 Y41: 5d9ebc6d 22b48c7c 276b9670 636433cb
 Y42: d85fb261 60c02b6d 348e6616 8d79f268
 Y43: c66ab5e0 7fc159dd 07f41e8d 511989d0
 Y44: e18f58b0 c831550b 2aa0f002 51899793
 Y45: c36620e2 7a396916 74cc358f 36d4ae68
 Y46: 6b1cb137 b69d021f 764150fd 5b29744f
 Y47: cc3b7f27 a69a9666 6919d755 6893a18f
 Y48: b1e1c8f8 936c88d1 b2540bf8 e82032d9
 Y49: 045ad0f2 638df0e6 79357e37 0240dd8a
 Y50: 455f563e 5cf94329 a4efbede ac30d09f
 Y51: f6e8f947 ec78897c 96fe5879 a1519ede
 Y52: f2a0a601 d7765bb7 0a41a0b6 fae10c36
 Y53: 86bcc098 bcd1e930 7b008ec5 6c027ccb
 Y54: 8f0f380b c973be6a c88d8a4d 45f86b0c
 Y55: 2b5ca348 5bb4015a e9b907f6 1cc77400
 Y56: a2755ca8 2c52702b ed08736d ef68938a
 Y57: d92292d5 0a0cf7cd 79d95799 6c6dff88
 Y58: 469d1262 83afb58c 9810c732 a4a36a79
 Y59: bb563499 7ca1c960 8357c393 60148fff
 Y60: 83e8dbc7 67e501de 080aac2d 0501b9ec
 Y61: 956f13a2 c14f9476 d268896c f24ed47a
 Y62: 1dfcb90c 4b088e40 830784fe f9dbe7c6
 Y63: e7c8898d 9c033db9 117191d0 57d0d5cb
 Y64: 6a187312 e7bc05cc bd8e8199 e9e7348d
 Y65: 682ec5d4 8fec944f 0e02eeb0 bcf11786

T: 682ec5d4

CTR0: 018bf767 62206f98 36b1e858 ca740000
 CTR1: 018bf767 62206f98 36b1e858 ca740001
 CTR2: 018bf767 62206f98 36b1e858 ca740002
 CTR3: 018bf767 62206f98 36b1e858 ca740003
 CTR4: 018bf767 62206f98 36b1e858 ca740004
 CTR5: 018bf767 62206f98 36b1e858 ca740005
 CTR6: 018bf767 62206f98 36b1e858 ca740006
 CTR7: 018bf767 62206f98 36b1e858 ca740007
 CTR8: 018bf767 62206f98 36b1e858 ca740008
 CTR9: 018bf767 62206f98 36b1e858 ca740009
 CTR10: 018bf767 62206f98 36b1e858 ca74000a
 CTR11: 018bf767 62206f98 36b1e858 ca74000b
 CTR12: 018bf767 62206f98 36b1e858 ca74000c
 CTR13: 018bf767 62206f98 36b1e858 ca74000d
 CTR14: 018bf767 62206f98 36b1e858 ca74000e

Sample Data

CTR15: 018bf767 62206f98 36b1e858 ca74000f
CTR16: 018bf767 62206f98 36b1e858 ca740010
CTR17: 018bf767 62206f98 36b1e858 ca740011
CTR18: 018bf767 62206f98 36b1e858 ca740012
CTR19: 018bf767 62206f98 36b1e858 ca740013
CTR20: 018bf767 62206f98 36b1e858 ca740014
CTR21: 018bf767 62206f98 36b1e858 ca740015
CTR22: 018bf767 62206f98 36b1e858 ca740016
CTR23: 018bf767 62206f98 36b1e858 ca740017
CTR24: 018bf767 62206f98 36b1e858 ca740018
CTR25: 018bf767 62206f98 36b1e858 ca740019
CTR26: 018bf767 62206f98 36b1e858 ca74001a
CTR27: 018bf767 62206f98 36b1e858 ca74001b
CTR28: 018bf767 62206f98 36b1e858 ca74001c
CTR29: 018bf767 62206f98 36b1e858 ca74001d
CTR30: 018bf767 62206f98 36b1e858 ca74001e
CTR31: 018bf767 62206f98 36b1e858 ca74001f
CTR32: 018bf767 62206f98 36b1e858 ca740020
CTR33: 018bf767 62206f98 36b1e858 ca740021
CTR34: 018bf767 62206f98 36b1e858 ca740022
CTR35: 018bf767 62206f98 36b1e858 ca740023
CTR36: 018bf767 62206f98 36b1e858 ca740024
CTR37: 018bf767 62206f98 36b1e858 ca740025
CTR38: 018bf767 62206f98 36b1e858 ca740026
CTR39: 018bf767 62206f98 36b1e858 ca740027
CTR40: 018bf767 62206f98 36b1e858 ca740028
CTR41: 018bf767 62206f98 36b1e858 ca740029
CTR42: 018bf767 62206f98 36b1e858 ca74002a
CTR43: 018bf767 62206f98 36b1e858 ca74002b
CTR44: 018bf767 62206f98 36b1e858 ca74002c
CTR45: 018bf767 62206f98 36b1e858 ca74002d
CTR46: 018bf767 62206f98 36b1e858 ca74002e
CTR47: 018bf767 62206f98 36b1e858 ca74002f
CTR48: 018bf767 62206f98 36b1e858 ca740030
CTR49: 018bf767 62206f98 36b1e858 ca740031
CTR50: 018bf767 62206f98 36b1e858 ca740032
CTR51: 018bf767 62206f98 36b1e858 ca740033
CTR52: 018bf767 62206f98 36b1e858 ca740034
CTR53: 018bf767 62206f98 36b1e858 ca740035
CTR54: 018bf767 62206f98 36b1e858 ca740036
CTR55: 018bf767 62206f98 36b1e858 ca740037
CTR56: 018bf767 62206f98 36b1e858 ca740038
CTR57: 018bf767 62206f98 36b1e858 ca740039
CTR58: 018bf767 62206f98 36b1e858 ca74003a
CTR59: 018bf767 62206f98 36b1e858 ca74003b
CTR60: 018bf767 62206f98 36b1e858 ca74003c
CTR61: 018bf767 62206f98 36b1e858 ca74003d
CTR62: 018bf767 62206f98 36b1e858 ca74003e
CTR63: 018bf767 62206f98 36b1e858 ca74003f
CTR64: 018bf767 62206f98 36b1e858 ca740040

S0: 1404487a 919e16c8 b3245d80 2b364231
S1: 82082cbc 57038db7 4823be9a 34e0a8d7
S2: 1b5f7526 d26fe763 7669dfce 63743d3a
S3: a3673258 5020c6cd d72bf517 accb632d
S4: 8a60ebb6 59c59ac1 a45a1ffd f54f7cd7
S5: 036f35c7 130c8a30 25e9da14 706df5bc

Sample Data

S6: e328cbb0 09c91d56 f010b40e e0fc5c3f
S7: 626d3d67 b53eb139 e155c9a2 df407b17
S8: d94e430b 829c7caf 289d2898 3c68aa5a
S9: d6343452 d92cb1ac b3fde90b e2f0789f
S10: 8ab8413c 0df18adf ae07a74f 82b3c91f
S11: 61bfac52 125b8fc4 eaac30f7 5a543821
S12: 68899f8f 2892931d 88b08926 7fa3cfc9
S13: 86b668c5 4ef24455 22a45f42 61aea816
S14: f57b4941 8332f0b3 7749ea30 53a711ee
S15: 593562a8 45c75a7c 70030f08 6fedd965
S16: f85e742f a743f353 6a22b384 be1dabdc
S17: ed7e317b 635deed3 e8b619f2 9bc65eb0
S18: 2035622d 94718ad6 c1631fa2 755883f4
S19: 40f50638 ad826c4a 3ca4fb88 467445ae
S20: e27eb632 0c2aee5c 9210b1c7 736fb897
S21: 711a9be3 c7054fa5 82ec70b6 028489e7
S22: 7b543081 c52e2cba 26400e6b 46642d0d
S23: d9564733 01fa7fae 7cfac2a7 239639e2
S24: 202ed696 6fbc2ecf f0982979 25bef3ea
S25: e2148e71 5935e2a5 bd175ee9 a799a549
S26: 77310821 6671e6dc 3a121369 a557aa4f
S27: 6d6c2659 06036f0c 1cec57ed 4a36158d
S28: b216aab3 be06fde0 262ae2ea e81cd2e5
S29: 0b56812e 52b653f9 0e27362e dd7dcbd4
S30: df590fb5 d38ea1cd f8eb2d5b 3d474253
S31: 6493924c 073da4bf d5658181 48b52d76
S32: e8491efc f7d18b0a 027f656e c6886a7d
S33: eb26ca54 5d221211 73a037ec e43053e9
S34: fa2f9edf 4e9d9c1c aa6e786c e743c1c0
S35: cf833d58 0d508e0e da69560a 66d3c03b
S36: f5922c3b 4382f00f 9b64ebb1 b2accbb0
S37: 9a3faeeb 69fdb9e1 3a025f2d 299c177e
S38: 376d0236 76cfe2b1 1c0e342a afe6418b
S39: 1d2a5ab1 7dc816ee 6c37e855 07f11bd7
S40: c33e7e9f 7669ad90 44625f47 1155c411
S41: bae0615e 9d48b215 0b9e7065 04b09ef7
S42: 606e0db2 17e5251d ba08c3db f20915fd
S43: f28282de b65b5dcc 0b88f0d0 20fa4810
S44: 701e67ab aa5af6c2 1bf15c6f ea339a58
S45: bd5176ce 91b3298f fe989ff0 c6ff991f
S46: 9eb857c4 bfec9af6 b1c78acd f3aabd69
S47: 7acfb2d7 217154f8 09cd5f4c 9728c6cc
S48: 66b07ebe 3665809d 7b855491 4bf90528
S49: 91a82a7d f3744bd0 7fc8850c 08554c8d
S50: 0fa45385 3cca72db eaa031b2 65c9d590
S51: 2bf70aa1 dab678d7 f8d8a2b2 88dc22da
S52: 1633856d aacda2bb 94f1d66b 0f4ad876
S53: b09b906a ff48f724 b9524495 409a0a62
S54: 7cda29ed 1e6f903d b7a9f4c5 26c28530
S55: f5338a50 74e0c5ed 214c4380 70886009
S56: 9cd2fb3c f8e8d55f 93a10ccd f288eead
S57: 9f1b72ba 2e506062 9dcc02a2 a3536e0e
S58: ea50be8b e9ffe171 c6f64b44 1357e68e
S59: 5d3c94b8 ef4051ff 79cd4200 3d9a3208
S60: 14267f84 ee8d7e71 df5d46ec 361f1648
S61: 7871fd55 dbcbcf6c 20c2902d 58935861
S62: 33b892d6 63807bf4 ddc0cc2b 3e037547

Sample Data



S63: 611a7ca9 85d3571a 1b6a0917 40795e7c
 S64: ef6adb06 6b6cb075 5ac5a39a 08ae7e7b

MIC: 7c2a8dae

Encrypted payload: ef4a4df0 076ac4f7 68bf354f 6f05dfe4
 259e734c a4a4874d d3e532cb 9af8d6ae
 fbdb0fec b7e4ad74 35146737 c474a92d
 4bba64be 45d57fe7 aaf96056 c8dec248
 39215d2e 13604021 d82eb64d 6e4d8321
 02cb8835 a6d940fd bd5459a9 0a31454b
 3679e8ce e3b3d696 210f247b b866da27
 a7f072f6 03146e98 e1cefa3d 7eadd661
 d7a2a5bd 4835e257 8adbae19 24ee46c1
 ab90251d 8878902a 118b05de db70cc89
 7004499f 9dd3287f 5203e3bd 1845d6f4
 ed85380e e40e66a4 8e6575cb 06709648
 bf17cafc 6797f480 e46465dd 838a9bac
 fd9ce386 fe128321 c401849d 8efb9028
 0d61b7dd a81e42ee 7a2c00e1 99381952
 069f5301 556f69f3 ba098796 3feba39b
 6502e278 cb74d91c 3662a7df 88551c7e
 9d3c6637 619b2ca3 8264f48f 55fe8c8f
 5b614cc6 4e2c7625 7bc4da4f 957975a0
 a6875c90 4ec22526 ff646472 7c42d48c
 a52c6fac dadacadc f26e6ad3 13fa9be7
 9b733f81 b9904708 244ecd59 fa226f94
 f9455982 e97c3da8 47b04183 71bac7e8
 850e4941 50ad8f2f 2a98e03c a6e598b5
 0e8a20d8 c4229f65 76c5b101 862a2d8a
 0f83e916 ae3ed178 6f8beca9 0c47c84b
 33bd65c6 78648511 765c731a 6e489052
 0d037b2f 0ef27532 ed2c5c33 8c5211a9
 253f767c 1845d0e0 8fe06340 e8e63121
 fdf907cd 9f6d462f cecdb5b1 5147424e
 99630121 2bca07a7 382a85c6 e5e541ab
 2ab5e64b c55a3e2d 04473cdb 308073ae
 059b18c5 5730d4be 6fc73ddc dcccddc5
 b045a408 eb841ea1 2721d399 4f82a4d7
 4c955ce8 0410de5c 45d36571 4de684f4
 9d838b5a 4ab80d69 1071a190 1738d038
 3ebd6b25 99b6a120 f8e42250 d0902d33
 e38310c8 3dbca3c5 cfe0bf26 b5383560
 3e5d4a6b 3b5c60a5 10f9ce91 7dd46b68
 f3856658 13180695 62eb72a0 a483ec51
 c5d0682f 899eb35e 273b16d6 d21d8002
 f68b5f54 c9190d63 d0529fcd 4c38c797
 cbac97ae 1fa2bd7f 395ad335 91ae4fe3
 31d23253 98cc0537 0cafe2a1 b239a57c
 f41832c8 6bc6c9de 36b1dbeb 08832387
 55c6ff99 3fdde28b 255233bc 3538e20d
 5de95dd2 b25c6be2 1d64e256 4fa25dfd
 09e4a6b0 a9869d52 b2c94bfb d93529aa
 f115b8eb 1301f354 56be336b 0c4d4c52
 5daa29ad d9734391 e11908d4 7f7393d3
 a9624e43 0c295d8b 3683583b 129b2629
 a8b3b5ec 510ecde7 f10ac5a3 66b6af7c
 b7505895 aff02cc7 0823ad6c ab52c540

Sample Data

```
35c85fea 2cf8a83b 223e6ff9 f198babf
0c002e58 a0749a8e b7391eee 39b33542
c4357467 5af5e4ec 286cd3af 7161ac9e
8ab8cc12 143f975d 6de40b78 9f3eec06
46add18e 5fd454d4 5707af91 58d335d9
723cf392 d17c12b3 6efb452b 786c0504
af600fef b82800f7 e18f6796 b7714a41
665968a2 527eb332 e064e03c 8d61aefc
5e14ab97 5848ec28 16821f97 c1d944a7
887b8f52 6127575b 728265d7 1377d760
990f4b2c 778c3039 c8d22334 ea
```

Sample Data**1.2.14 Sample data 14 (EV3)**

Payload byte length: 1e

K: 972b7dcd be8942b7 d8fdc356 a5590aca

CLK[27:1]: 030b5a8f

dayCounter: 061a

Initialization vector: 70b690bd dfe9630f

LT_ADDR: 1

Packet Type: 7

Payload: 4625f778 578290f9 0ee83576 b3f8a898
faff3fe4 5db812b2 e189297a fd89

CTR0: 018f5a0b d3700f63 e9dfbd90 b6700000

CTR1: 018f5a0b d3700f63 e9dfbd90 b6700001

CTR2: 018f5a0b d3700f63 e9dfbd90 b6700002

Encrypted payload: 76637937 69b2ba4c 41704100 d6c4602a
dbae2a87 f77a9fdb a0c56d2c b532



2 FREQUENCY HOPPING SAMPLE DATA

The section contains three sets of sample data showing the basic and adapted hopping schemes for different combinations of addresses and initial clock values.

2.1 FIRST SET

Hop sequence {k} for Page Scan and Inquiry Scan substates:

```

CLKN start: 0x0000000
UAP / LAP: 0x00000000
#ticks: 0000 | 1000 | 2000 | 3000 | 4000 | 5000 | 6000 | 7000 |
-----
0x0000000: 0 | 2 | 4 | 6 | 8 | 10 | 12 | 14 |
0x0008000: 16 | 18 | 20 | 22 | 24 | 26 | 28 | 30 |
0x0010000: 32 | 34 | 36 | 38 | 40 | 42 | 44 | 46 |
0x0018000: 48 | 50 | 52 | 54 | 56 | 58 | 60 | 62 |
0x0020000: 0 | 2 | 4 | 6 | 8 | 10 | 12 | 14 |
0x0028000: 16 | 18 | 20 | 22 | 24 | 26 | 28 | 30 |
0x0030000: 32 | 34 | 36 | 38 | 40 | 42 | 44 | 46 |
0x0038000: 48 | 50 | 52 | 54 | 56 | 58 | 60 | 62 |
    
```

Hop sequence {k} for Page and Inquiry substates:

```

CLKE start: 0x0000000
UAP / LAP: 0x00000000
#ticks: 00 01 02 03 | 04 05 06 07 | 08 09 0a 0b | 0c 0d 0e 0f |
-----
0x0000000: 48 50 09 13 | 52 54 41 45 | 56 58 11 15 | 60 62 43 47 |
0x0000010: 00 02 64 68 | 04 06 17 21 | 08 10 66 70 | 12 14 19 23 |
0x0000020: 48 50 09 13 | 52 54 41 45 | 56 58 11 15 | 60 62 43 47 |
0x0000030: 00 02 64 68 | 04 06 17 21 | 08 10 66 70 | 12 14 19 23 |
...
0x0001000: 48 18 09 05 | 20 22 33 37 | 24 26 03 07 | 28 30 35 39 |
0x0001010: 32 34 72 76 | 36 38 25 29 | 40 42 74 78 | 44 46 27 31 |
0x0001020: 48 18 09 05 | 20 22 33 37 | 24 26 03 07 | 28 30 35 39 |
0x0001030: 32 34 72 76 | 36 38 25 29 | 40 42 74 78 | 44 46 27 31 |
...
0x0002000: 16 18 01 05 | 52 54 41 45 | 56 58 11 15 | 60 62 43 47 |
0x0002010: 00 02 64 68 | 04 06 17 21 | 08 10 66 70 | 12 14 19 23 |
0x0002020: 16 18 01 05 | 52 54 41 45 | 56 58 11 15 | 60 62 43 47 |
0x0002030: 00 02 64 68 | 04 06 17 21 | 08 10 66 70 | 12 14 19 23 |
...
0x0003000: 48 50 09 13 | 52 22 41 37 | 24 26 03 07 | 28 30 35 39 |
0x0003010: 32 34 72 76 | 36 38 25 29 | 40 42 74 78 | 44 46 27 31 |
0x0003020: 48 50 09 13 | 52 22 41 37 | 24 26 03 07 | 28 30 35 39 |
0x0003030: 32 34 72 76 | 36 38 25 29 | 40 42 74 78 | 44 46 27 31 |
    
```

Hop sequence {k} for Peripheral Response substate:

```

CLKN* = 0x0000010
UAP / LAP: 0x00000000
#ticks: 00 | 02 04 | 06 08 | 0a 0c | 0e 10 | 12 14 | 16 18 | 1a 1c | 1e
-----
0x0000012: 64 | 02 68 | 04 17 | 06 21 | 08 66 | 10 70 | 12 19 | 14 23 | 16
0x0000032: 01 | 18 05 | 20 33 | 22 37 | 24 03 | 26 07 | 28 35 | 30 39 | 32
0x0000052: 72 | 34 76 | 36 25 | 38 29 | 40 74 | 42 78 | 44 27 | 46 31 | 48
0x0000072: 09 | 50 13 | 52 41 | 54 45 | 56 11 | 58 15 | 60 43 | 62 47 | 00
    
```

Hop sequence {k} for Central Response substate:

```

Offset value: 24
CLKE* = 0x0000012
UAP / LAP: 0x00000000
#ticks: 00 02 | 04 06 | 08 0a | 0c 0e | 10 12 | 14 16 | 18 1a | 1c 1e |
-----
0x0000014: 02 68 | 04 17 | 06 21 | 08 66 | 10 70 | 12 19 | 14 23 | 16 01 |
0x0000034: 18 05 | 20 33 | 22 37 | 24 03 | 26 07 | 28 35 | 30 39 | 32 72 |
0x0000054: 34 76 | 36 25 | 38 29 | 40 74 | 42 78 | 44 27 | 46 31 | 48 09 |
0x0000074: 50 13 | 52 41 | 54 45 | 56 11 | 58 15 | 60 43 | 62 47 | 00 64 |
    
```

Sample Data



Hop sequence {k} for Connection state (Basic channel hopping sequence; ie, non-AFH):

```

CLK start:      0x0000010
UAP/LAP:       0x00000000
#ticks:        00 02 | 04 06 | 08 0a | 0c 0e | 10 12 | 14 16 | 18 1a | 1c 1e |
-----
0x0000010:     08 66 | 10 70 | 12 19 | 14 23 | 16 01 | 18 05 | 20 33 | 22 37 |
0x0000030:     24 03 | 26 07 | 28 35 | 30 39 | 32 72 | 34 76 | 36 25 | 38 29 |
0x0000050:     40 74 | 42 78 | 44 27 | 46 31 | 48 09 | 50 13 | 52 41 | 54 45 |
0x0000070:     56 11 | 58 15 | 60 43 | 62 47 | 32 17 | 36 19 | 34 49 | 38 51 |
0x0000090:     40 21 | 44 23 | 42 53 | 46 55 | 48 33 | 52 35 | 50 65 | 54 67 |
0x00000b0:     56 37 | 60 39 | 58 69 | 62 71 | 64 25 | 68 27 | 66 57 | 70 59 |
0x00000d0:     72 29 | 76 31 | 74 61 | 78 63 | 01 41 | 05 43 | 03 73 | 07 75 |
0x00000f0:     09 45 | 13 47 | 11 77 | 15 00 | 64 49 | 66 53 | 68 02 | 70 06 |
0x0000110:     01 51 | 03 55 | 05 04 | 07 08 | 72 57 | 74 61 | 76 10 | 78 14 |
0x0000130:     09 59 | 11 63 | 13 12 | 15 16 | 17 65 | 19 69 | 21 18 | 23 22 |
0x0000150:     33 67 | 35 71 | 37 20 | 39 24 | 25 73 | 27 77 | 29 26 | 31 30 |
0x0000170:     41 75 | 43 00 | 45 28 | 47 32 | 17 02 | 21 04 | 19 34 | 23 36 |
0x0000190:     33 06 | 37 08 | 35 38 | 39 40 | 25 10 | 29 12 | 27 42 | 31 44 |
0x00001b0:     41 14 | 45 16 | 43 46 | 47 48 | 49 18 | 53 20 | 51 50 | 55 52 |
0x00001d0:     65 22 | 69 24 | 67 54 | 71 56 | 57 26 | 61 28 | 59 58 | 63 60 |
0x00001f0:     73 30 | 77 32 | 75 62 | 00 64 | 49 34 | 51 42 | 57 66 | 59 74 |
0x0000210:     53 36 | 55 44 | 61 68 | 63 76 | 65 50 | 67 58 | 73 03 | 75 11 |
0x0000230:     69 52 | 71 60 | 77 05 | 00 13 | 02 38 | 04 46 | 10 70 | 12 78 |
0x0000250:     06 40 | 08 48 | 14 72 | 16 01 | 18 54 | 20 62 | 26 07 | 28 15 |
0x0000270:     22 56 | 24 64 | 30 09 | 32 17 | 02 66 | 06 74 | 10 19 | 14 27 |
0x0000290:     04 70 | 08 78 | 12 23 | 16 31 | 18 03 | 22 11 | 26 35 | 30 43 |
0x00002b0:     20 07 | 24 15 | 28 39 | 32 47 | 34 68 | 38 76 | 42 21 | 46 29 |
0x00002d0:     36 72 | 40 01 | 44 25 | 48 33 | 50 05 | 54 13 | 58 37 | 62 45 |
0x00002f0:     52 09 | 56 17 | 60 41 | 64 49 | 34 19 | 36 35 | 50 51 | 52 67 |
0x0000310:     38 21 | 40 37 | 54 53 | 56 69 | 42 27 | 44 43 | 58 59 | 60 75 |
0x0000330:     46 29 | 48 45 | 62 61 | 64 77 | 66 23 | 68 39 | 03 55 | 05 71 |
0x0000350:     70 25 | 72 41 | 07 57 | 09 73 | 74 31 | 76 47 | 11 63 | 13 00 |
0x0000370:     78 33 | 01 49 | 15 65 | 17 02 | 66 51 | 70 67 | 03 04 | 07 20 |
0x0000390:     68 55 | 72 71 | 05 08 | 09 24 | 74 59 | 78 75 | 11 12 | 15 28 |
0x00003b0:     76 63 | 01 00 | 13 16 | 17 32 | 19 53 | 23 69 | 35 06 | 39 22 |
0x00003d0:     21 57 | 25 73 | 37 10 | 41 26 | 27 61 | 31 77 | 43 14 | 47 30 |
0x00003f0:     29 65 | 33 02 | 45 18 | 49 34 | 19 04 | 21 08 | 23 20 | 25 24 |
    
```

Sample Data



Hop Sequence {k} for Connection state (Adapted channel hopping sequence with all channels used; ie, AFH(79)):

CLK start: 0x0000010

ULAP: 0x00000000

Used Channels:0x7fffffffffffffffffff

#ticks:	00 02	04 06	08 0a	0c 0e	10 12	14 16	18 1a	1c 1e
0x0000010	08 08	10 10	12 12	14 14	16 16	18 18	20 20	22 22
0x0000030	24 24	26 26	28 28	30 30	32 32	34 34	36 36	38 38
0x0000050	40 40	42 42	44 44	46 46	48 48	50 50	52 52	54 54
0x0000070	56 56	58 58	60 60	62 62	32 32	36 36	34 34	38 38
0x0000090	40 40	44 44	42 42	46 46	48 48	52 52	50 50	54 54
0x00000b0	56 56	60 60	58 58	62 62	64 64	68 68	66 66	70 70
0x00000d0	72 72	76 76	74 74	78 78	01 01	05 05	03 03	07 07
0x00000f0	09 09	13 13	11 11	15 15	64 64	66 66	68 68	70 70
0x0000110	01 01	03 03	05 05	07 07	72 72	74 74	76 76	78 78
0x0000130	09 09	11 11	13 13	15 15	17 17	19 19	21 21	23 23
0x0000150	33 33	35 35	37 37	39 39	25 25	27 27	29 29	31 31
0x0000170	41 41	43 43	45 45	47 47	17 17	21 21	19 19	23 23
0x0000190	33 33	37 37	35 35	39 39	25 25	29 29	27 27	31 31
0x00001b0	41 41	45 45	43 43	47 47	49 49	53 53	51 51	55 55
0x00001d0	65 65	69 69	67 67	71 71	57 57	61 61	59 59	63 63
0x00001f0	73 73	77 77	75 75	00 00	49 49	51 51	57 57	59 59
0x0000210	53 53	55 55	61 61	63 63	65 65	67 67	73 73	75 75
0x0000230	69 69	71 71	77 77	00 00	02 02	04 04	10 10	12 12
0x0000250	06 06	08 08	14 14	16 16	18 18	20 20	26 26	28 28
0x0000270	22 22	24 24	30 30	32 32	02 02	06 06	10 10	14 14
0x0000290	04 04	08 08	12 12	16 16	18 18	22 22	26 26	30 30
0x00002b0	20 20	24 24	28 28	32 32	34 34	38 38	42 42	46 46
0x00002d0	36 36	40 40	44 44	48 48	50 50	54 54	58 58	62 62
0x00002f0	52 52	56 56	60 60	64 64	34 34	36 36	50 50	52 52
0x0000310	38 38	40 40	54 54	56 56	42 42	44 44	58 58	60 60
0x0000330	46 46	48 48	62 62	64 64	66 66	68 68	03 03	05 05
0x0000350	70 70	72 72	07 07	09 09	74 74	76 76	11 11	13 13
0x0000370	78 78	01 01	15 15	17 17	66 66	70 70	03 03	07 07
0x0000390	68 68	72 72	05 05	09 09	74 74	78 78	11 11	15 15
0x00003b0	76 76	01 01	13 13	17 17	19 19	23 23	35 35	39 39
0x00003d0	21 21	25 25	37 37	41 41	27 27	31 31	43 43	47 47
0x00003f0	29 29	33 33	45 45	49 49	19 19	21 21	23 23	25 25

Sample Data



Hop Sequence {k} for Connection state (Adapted channel hopping sequence with channels 0 to 21 unused):

CLK start: 0x0000010

ULAP: 0x00000000

Used Channels: 0x7fffffffffffffc00000

#ticks:	00 02	04 06	08 0a	0c 0e	10 12	14 16	18 1a	1c 1e
0x0000010	30 30	32 32	34 34	36 36	38 38	40 40	42 42	22 22
0x0000030	24 24	26 26	28 28	30 30	32 32	34 34	36 36	38 38
0x0000050	40 40	42 42	44 44	46 46	48 48	50 50	52 52	54 54
0x0000070	56 56	58 58	60 60	62 62	32 32	36 36	34 34	38 38
0x0000090	40 40	44 44	42 42	46 46	48 48	52 52	50 50	54 54
0x00000b0	56 56	60 60	58 58	62 62	64 64	68 68	66 66	70 70
0x00000d0	72 72	76 76	74 74	78 78	45 45	49 49	47 47	51 51
0x00000f0	53 53	57 57	55 55	59 59	64 64	66 66	68 68	70 70
0x0000110	45 45	47 47	49 49	51 51	72 72	74 74	76 76	78 78
0x0000130	53 53	55 55	57 57	59 59	61 61	63 63	65 65	23 23
0x0000150	33 33	35 35	37 37	39 39	25 25	27 27	29 29	31 31
0x0000170	41 41	43 43	45 45	47 47	61 61	65 65	63 63	23 23
0x0000190	33 33	37 37	35 35	39 39	25 25	29 29	27 27	31 31
0x00001b0	41 41	45 45	43 43	47 47	49 49	53 53	51 51	55 55
0x00001d0	65 65	69 69	67 67	71 71	57 57	61 61	59 59	63 63
0x00001f0	73 73	77 77	75 75	66 66	49 49	51 51	57 57	59 59
0x0000210	53 53	55 55	61 61	63 63	65 65	67 67	73 73	75 75
0x0000230	69 69	71 71	77 77	66 66	68 68	70 70	76 76	78 78
0x0000250	72 72	74 74	23 23	25 25	27 27	29 29	26 26	28 28
0x0000270	22 22	24 24	30 30	32 32	68 68	72 72	76 76	23 23
0x0000290	70 70	74 74	78 78	25 25	27 27	22 22	26 26	30 30
0x00002b0	29 29	24 24	28 28	32 32	34 34	38 38	42 42	46 46
0x00002d0	36 36	40 40	44 44	48 48	50 50	54 54	58 58	62 62
0x00002f0	52 52	56 56	60 60	64 64	34 34	36 36	50 50	52 52
0x0000310	38 38	40 40	54 54	56 56	42 42	44 44	58 58	60 60
0x0000330	46 46	48 48	62 62	64 64	66 66	68 68	34 34	36 36
0x0000350	70 70	72 72	38 38	40 40	74 74	76 76	42 42	44 44
0x0000370	78 78	32 32	46 46	48 48	66 66	70 70	34 34	38 38
0x0000390	68 68	72 72	36 36	40 40	74 74	78 78	42 42	46 46
0x00003b0	76 76	32 32	44 44	48 48	50 50	23 23	35 35	39 39
0x00003d0	52 52	25 25	37 37	41 41	27 27	31 31	43 43	47 47
0x00003f0	29 29	33 33	45 45	49 49	50 50	52 52	23 23	25 25

Sample Data



Hop Sequence {k} for Connection state (Adapted channel hopping sequence with even channels used):

CLK start: 0x0000010

ULAP: 0x00000000

Used Channels: 0x55555555555555555555

#ticks:	00 02	04 06	08 0a	0c 0e	10 12	14 16	18 1a	1c 1e
0x0000010	08 08	10 10	12 12	14 14	16 16	18 18	20 20	22 22
0x0000030	24 24	26 26	28 28	30 30	32 32	34 34	36 36	38 38
0x0000050	40 40	42 42	44 44	46 46	48 48	50 50	52 52	54 54
0x0000070	56 56	58 58	60 60	62 62	32 32	36 36	34 34	38 38
0x0000090	40 40	44 44	42 42	46 46	48 48	52 52	50 50	54 54
0x00000b0	56 56	60 60	58 58	62 62	64 64	68 68	66 66	70 70
0x00000d0	72 72	76 76	74 74	78 78	00 00	04 04	02 02	06 06
0x00000f0	08 08	12 12	10 10	14 14	64 64	66 66	68 68	70 70
0x0000110	00 00	02 02	04 04	06 06	72 72	74 74	76 76	78 78
0x0000130	08 08	10 10	12 12	14 14	16 16	18 18	20 20	22 22
0x0000150	32 32	34 34	36 36	38 38	24 24	26 26	28 28	30 30
0x0000170	40 40	42 42	44 44	46 46	16 16	20 20	18 18	22 22
0x0000190	32 32	36 36	34 34	38 38	24 24	28 28	26 26	30 30
0x00001b0	40 40	44 44	42 42	46 46	48 48	52 52	50 50	54 54
0x00001d0	64 64	68 68	66 66	70 70	56 56	60 60	58 58	62 62
0x00001f0	72 72	76 76	74 74	00 00	48 48	50 50	56 56	58 58
0x0000210	52 52	54 54	60 60	62 62	64 64	66 66	72 72	74 74
0x0000230	68 68	70 70	76 76	00 00	02 02	04 04	10 10	12 12
0x0000250	06 06	08 08	14 14	16 16	18 18	20 20	26 26	28 28
0x0000270	22 22	24 24	30 30	32 32	02 02	06 06	10 10	14 14
0x0000290	04 04	08 08	12 12	16 16	18 18	22 22	26 26	30 30
0x00002b0	20 20	24 24	28 28	32 32	34 34	38 38	42 42	46 46
0x00002d0	36 36	40 40	44 44	48 48	50 50	54 54	58 58	62 62
0x00002f0	52 52	56 56	60 60	64 64	34 34	36 36	50 50	52 52
0x0000310	38 38	40 40	54 54	56 56	42 42	44 44	58 58	60 60
0x0000330	46 46	48 48	62 62	64 64	66 66	68 68	00 00	02 02
0x0000350	70 70	72 72	04 04	06 06	74 74	76 76	08 08	10 10
0x0000370	78 78	78 78	12 12	14 14	66 66	70 70	00 00	04 04
0x0000390	68 68	72 72	02 02	06 06	74 74	78 78	08 08	12 12
0x00003b0	76 76	78 78	10 10	14 14	16 16	20 20	32 32	36 36
0x00003d0	18 18	22 22	34 34	38 38	24 24	28 28	40 40	44 44
0x00003f0	26 26	30 30	42 42	46 46	16 16	18 18	20 20	22 22

Sample Data



Hop Sequence {k} for Connection state (Adapted channel hopping sequence with odd channels used):

CLK start: 0x0000010

ULAP: 0x00000000

Used Channels:0x2aaaaaaaaaaaaaaaaaaaa

#ticks:	00 02	04 06	08 0a	0c 0e	10 12	14 16	18 1a	1c 1e
0x0000010	09 09	11 11	13 13	15 15	17 17	19 19	21 21	23 23
0x0000030	25 25	27 27	29 29	31 31	33 33	35 35	37 37	39 39
0x0000050	41 41	43 43	45 45	47 47	49 49	51 51	53 53	55 55
0x0000070	57 57	59 59	61 61	63 63	33 33	37 37	35 35	39 39
0x0000090	41 41	45 45	43 43	47 47	49 49	53 53	51 51	55 55
0x00000b0	57 57	61 61	59 59	63 63	65 65	69 69	67 67	71 71
0x00000d0	73 73	77 77	75 75	01 01	01 01	05 05	03 03	07 07
0x00000f0	09 09	13 13	11 11	15 15	65 65	67 67	69 69	71 71
0x0000110	01 01	03 03	05 05	07 07	73 73	75 75	77 77	01 01
0x0000130	09 09	11 11	13 13	15 15	17 17	19 19	21 21	23 23
0x0000150	33 33	35 35	37 37	39 39	25 25	27 27	29 29	31 31
0x0000170	41 41	43 43	45 45	47 47	17 17	21 21	19 19	23 23
0x0000190	33 33	37 37	35 35	39 39	25 25	29 29	27 27	31 31
0x00001b0	41 41	45 45	43 43	47 47	49 49	53 53	51 51	55 55
0x00001d0	65 65	69 69	67 67	71 71	57 57	61 61	59 59	63 63
0x00001f0	73 73	77 77	75 75	03 03	49 49	51 51	57 57	59 59
0x0000210	53 53	55 55	61 61	63 63	65 65	67 67	73 73	75 75
0x0000230	69 69	71 71	77 77	03 03	05 05	07 07	13 13	15 15
0x0000250	09 09	11 11	17 17	19 19	21 21	23 23	29 29	31 31
0x0000270	25 25	27 27	33 33	35 35	05 05	09 09	13 13	17 17
0x0000290	07 07	11 11	15 15	19 19	21 21	25 25	29 29	33 33
0x00002b0	23 23	27 27	31 31	35 35	37 37	41 41	45 45	49 49
0x00002d0	39 39	43 43	47 47	51 51	53 53	57 57	61 61	65 65
0x00002f0	55 55	59 59	63 63	67 67	37 37	39 39	53 53	55 55
0x0000310	41 41	43 43	57 57	59 59	45 45	47 47	61 61	63 63
0x0000330	49 49	51 51	65 65	67 67	69 69	71 71	03 03	05 05
0x0000350	73 73	75 75	07 07	09 09	77 77	01 01	11 11	13 13
0x0000370	03 03	01 01	15 15	17 17	69 69	73 73	03 03	07 07
0x0000390	71 71	75 75	05 05	09 09	77 77	03 03	11 11	15 15
0x00003b0	01 01	01 01	13 13	17 17	19 19	23 23	35 35	39 39
0x00003d0	21 21	25 25	37 37	41 41	27 27	31 31	43 43	47 47
0x00003f0	29 29	33 33	45 45	49 49	19 19	21 21	23 23	25 25

Sample Data



2.2 SECOND SET

Hop sequence {k} for Page Scan and Inquiry Scan substates:

CLKN start:	0x0000000							
ULAP:	0x2a96ef25							
#ticks:	0000	1000	2000	3000	4000	5000	6000	7000

0x0000000:	49	13	17	51	55	19	23	53
0x0008000:	57	21	25	27	31	74	78	29
0x0010000:	33	76	1	35	39	3	7	37
0x0018000:	41	5	9	43	47	11	15	45
0x0020000:	49	13	17	51	55	19	23	53
0x0028000:	57	21	25	27	31	74	78	29
0x0030000:	33	76	1	35	39	3	7	37
0x0038000:	41	5	9	43	47	11	15	45

Hop sequence {k} for Page and Inquiry substates:

CLKE start:	0x0000000															
ULAP:	0x2a96ef25															
#ticks:	00	01	02	03	04	05	06	07	08	09	0a	0b	0c	0d	0e	0f

0x0000000:	41	05	10	04	09	43	06	16	47	11	18	12	15	45	14	32
0x0000010:	49	13	34	28	17	51	30	24	55	19	26	20	23	53	22	40
0x0000020:	41	05	10	04	09	43	06	16	47	11	18	12	15	45	14	32
0x0000030:	49	13	34	28	17	51	30	24	55	19	26	20	23	53	22	40
...																
0x0001000:	41	21	10	36	25	27	38	63	31	74	65	59	78	29	61	00
0x0001010:	33	76	02	75	01	35	77	71	39	03	73	67	07	37	69	08
0x0001020:	41	21	10	36	25	27	38	63	31	74	65	59	78	29	61	00
0x0001030:	33	76	02	75	01	35	77	71	39	03	73	67	07	37	69	08
...																
0x0002000:	57	21	42	36	09	43	06	16	47	11	18	12	15	45	14	32
0x0002010:	49	13	34	28	17	51	30	24	55	19	26	20	23	53	22	40
0x0002020:	57	21	42	36	09	43	06	16	47	11	18	12	15	45	14	32
0x0002030:	49	13	34	28	17	51	30	24	55	19	26	20	23	53	22	40
...																
0x0003000:	41	05	10	04	09	27	06	63	31	74	65	59	78	29	61	00
0x0003010:	33	76	02	75	01	35	77	71	39	03	73	67	07	37	69	08
0x0003020:	41	05	10	04	09	27	06	63	31	74	65	59	78	29	61	00
0x0003030:	33	76	02	75	01	35	77	71	39	03	73	67	07	37	69	08

Hop sequence {k} for Peripheral Response substate:

CLKN* =	0x0000010															
ULAP:	0x2a96ef25															
#ticks:	00	02	04	06	08	0a	0c	0e	10	12	14	16	18	1a		

0x0000012:	34	13	28	17	30	51	24	55	26	19	20	23	22	53		
0x0000032:	42	21	36	25	38	27	63	31	65	74	59	78	61	29		
0x0000052:	02	76	75	01	77	35	71	39	73	03	67	07	69	37		
0x0000072:	10	05	04	09	06	43	16	47	18	11	12	15	14	45		

Hop sequence {k} for Central Response substate:

Offset value:	24															
CLKE* =	0x0000012															
ULAP:	0x2a96ef25															
#ticks:	00	02	04	06	08	0a	0c	0e	10	12	14	16	18	1a		

0x0000014:	13	28	17	30	51	24	55	26	19	20	23	22	53	40		
0x0000034:	21	36	25	38	27	63	31	65	74	59	78	61	29	00		
0x0000054:	76	75	01	77	35	71	39	73	03	67	07	69	37	08		
0x0000074:	05	04	09	06	43	16	47	18	11	12	15	14	45	32		

Sample Data



Hop sequence {k} for Connection state (Basic channel hopping sequence; ie, non-AFH):

```

CLK start:      0x0000010
ULAP:          0x2a96ef25
#ticks:        00 02 | 04 06 | 08 0a | 0c 0e | 10 12 | 14 16 | 18 1a | 1c 1e |
-----|-----|-----|-----|-----|-----|-----|-----|
0x0000010:     55 26 | 19 20 | 23 22 | 53 40 | 57 42 | 21 36 | 25 38 | 27 63 |
0x0000030:     31 65 | 74 59 | 78 61 | 29 00 | 33 02 | 76 75 | 01 77 | 35 71 |
0x0000050:     39 73 | 03 67 | 07 69 | 37 08 | 41 10 | 05 04 | 09 06 | 43 16 |
0x0000070:     47 18 | 11 12 | 15 14 | 45 32 | 02 66 | 47 60 | 49 64 | 04 54 |
0x0000090:     06 58 | 51 52 | 53 56 | 08 70 | 10 74 | 55 68 | 57 72 | 59 14 |
0x00000b0:     61 18 | 27 12 | 29 16 | 63 30 | 65 34 | 31 28 | 33 32 | 67 22 |
0x00000d0:     69 26 | 35 20 | 37 24 | 71 38 | 73 42 | 39 36 | 41 40 | 75 46 |
0x00000f0:     77 50 | 43 44 | 45 48 | 00 62 | 26 11 | 69 05 | 73 07 | 36 17 |
0x0000110:     40 19 | 04 13 | 08 15 | 38 25 | 42 27 | 06 21 | 10 23 | 12 48 |
0x0000130:     16 50 | 59 44 | 63 46 | 14 56 | 18 58 | 61 52 | 65 54 | 28 64 |
0x0000150:     32 66 | 75 60 | 00 62 | 30 72 | 34 74 | 77 68 | 02 70 | 20 01 |
0x0000170:     24 03 | 67 76 | 71 78 | 22 09 | 58 43 | 24 37 | 26 41 | 68 47 |
0x0000190:     70 51 | 36 45 | 38 49 | 72 55 | 74 59 | 40 53 | 42 57 | 44 78 |
0x00001b0:     46 03 | 12 76 | 14 01 | 48 07 | 50 11 | 16 05 | 18 09 | 60 15 |
0x00001d0:     62 19 | 28 13 | 30 17 | 64 23 | 66 27 | 32 21 | 34 25 | 52 31 |
0x00001f0:     54 35 | 20 29 | 22 33 | 56 39 | 19 04 | 62 63 | 66 00 | 07 73 |
0x0000210:     11 10 | 54 69 | 58 06 | 23 75 | 27 12 | 70 71 | 74 08 | 76 33 |
0x0000230:     01 49 | 44 29 | 48 45 | 13 35 | 17 51 | 60 31 | 64 47 | 05 41 |
0x0000250:     09 57 | 52 37 | 56 53 | 21 43 | 25 59 | 68 39 | 72 55 | 78 65 |
0x0000270:     03 02 | 46 61 | 50 77 | 15 67 | 51 36 | 17 18 | 19 34 | 41 24 |
0x0000290:     43 40 | 09 22 | 11 38 | 57 28 | 59 44 | 25 26 | 27 42 | 29 63 |
0x00002b0:     31 00 | 76 61 | 78 77 | 45 67 | 47 04 | 13 65 | 15 02 | 37 71 |
0x00002d0:     39 08 | 05 69 | 07 06 | 53 75 | 55 12 | 21 73 | 23 10 | 33 16 |
0x00002f0:     35 32 | 01 14 | 03 30 | 49 20 | 75 60 | 39 48 | 43 56 | 00 66 |
0x0000310:     04 74 | 47 62 | 51 70 | 08 68 | 12 76 | 55 64 | 59 72 | 61 18 |
0x0000330:     65 26 | 29 14 | 33 22 | 69 20 | 73 28 | 37 16 | 41 24 | 77 34 |
0x0000350:     02 42 | 45 30 | 49 38 | 06 36 | 10 44 | 53 32 | 57 40 | 63 50 |
0x0000370:     67 58 | 31 46 | 35 54 | 71 52 | 28 13 | 73 03 | 75 11 | 34 17 |
0x0000390:     36 25 | 02 15 | 04 23 | 42 21 | 44 29 | 10 19 | 12 27 | 14 48 |
0x00003b0:     16 56 | 61 46 | 63 54 | 22 52 | 24 60 | 69 50 | 71 58 | 30 64 |
0x00003d0:     32 72 | 77 62 | 00 70 | 38 68 | 40 76 | 06 66 | 08 74 | 18 01 |
0x00003f0:     20 09 | 65 78 | 67 07 | 26 05 | 44 29 | 32 23 | 36 25 | 70 43 |
    
```

Sample Data



Hop Sequence {k} for Connection state (Adapted channel hopping sequence with all channels used; ie, AFH(79)):

CLK start: 0x0000010

ULAP: 0x2a96ef25

Used Channels:0x7fffffffffffffffffff

#ticks:	00 02	04 06	08 0a	0c 0e	10 12	14 16	18 1a	1c 1e
0x0000010	55 55	19 19	23 23	53 53	57 57	21 21	25 25	27 27
0x0000030	31 31	74 74	78 78	29 29	33 33	76 76	01 01	35 35
0x0000050	39 39	03 03	07 07	37 37	41 41	05 05	09 09	43 43
0x0000070	47 47	11 11	15 15	45 45	02 02	47 47	49 49	04 04
0x0000090	06 06	51 51	53 53	08 08	10 10	55 55	57 57	59 59
0x00000b0	61 61	27 27	29 29	63 63	65 65	31 31	33 33	67 67
0x00000d0	69 69	35 35	37 37	71 71	73 73	39 39	41 41	75 75
0x00000f0	77 77	43 43	45 45	00 00	26 26	69 69	73 73	36 36
0x0000110	40 40	04 04	08 08	38 38	42 42	06 06	10 10	12 12
0x0000130	16 16	59 59	63 63	14 14	18 18	61 61	65 65	28 28
0x0000150	32 32	75 75	00 00	30 30	34 34	77 77	02 02	20 20
0x0000170	24 24	67 67	71 71	22 22	58 58	24 24	26 26	68 68
0x0000190	70 70	36 36	38 38	72 72	74 74	40 40	42 42	44 44
0x00001b0	46 46	12 12	14 14	48 48	50 50	16 16	18 18	60 60
0x00001d0	62 62	28 28	30 30	64 64	66 66	32 32	34 34	52 52
0x00001f0	54 54	20 20	22 22	56 56	19 19	62 62	66 66	07 07
0x0000210	11 11	54 54	58 58	23 23	27 27	70 70	74 74	76 76
0x0000230	01 01	44 44	48 48	13 13	17 17	60 60	64 64	05 05
0x0000250	09 09	52 52	56 56	21 21	25 25	68 68	72 72	78 78
0x0000270	03 03	46 46	50 50	15 15	51 51	17 17	19 19	41 41
0x0000290	43 43	09 09	11 11	57 57	59 59	25 25	27 27	29 29
0x00002b0	31 31	76 76	78 78	45 45	47 47	13 13	15 15	37 37
0x00002d0	39 39	05 05	07 07	53 53	55 55	21 21	23 23	33 33
0x00002f0	35 35	01 01	03 03	49 49	75 75	39 39	43 43	00 00
0x0000310	04 04	47 47	51 51	08 08	12 12	55 55	59 59	61 61
0x0000330	65 65	29 29	33 33	69 69	73 73	37 37	41 41	77 77
0x0000350	02 02	45 45	49 49	06 06	10 10	53 53	57 57	63 63
0x0000370	67 67	31 31	35 35	71 71	28 28	73 73	75 75	34 34
0x0000390	36 36	02 02	04 04	42 42	44 44	10 10	12 12	14 14
0x00003b0	16 16	61 61	63 63	22 22	24 24	69 69	71 71	30 30
0x00003d0	32 32	77 77	00 00	38 38	40 40	06 06	08 08	18 18
0x00003f0	20 20	65 65	67 67	26 26	44 44	32 32	36 36	70 70

Sample Data



Hop Sequence {k} for Connection state (Adapted channel hopping sequence with channels 0 to 21 unused):

CLK start: 0x0000010

ULAP: 0x2a96ef25

Used Channels:0x7fffffffffffffc00000

#ticks:	00 02	04 06	08 0a	0c 0e	10 12	14 16	18 1a	1c 1e
0x0000010	55 55	50 50	23 23	53 53	57 57	52 52	25 25	27 27
0x0000030	31 31	74 74	78 78	29 29	33 33	76 76	32 32	35 35
0x0000050	39 39	34 34	38 38	37 37	41 41	36 36	40 40	43 43
0x0000070	47 47	42 42	46 46	45 45	55 55	47 47	49 49	57 57
0x0000090	59 59	51 51	53 53	61 61	63 63	55 55	57 57	59 59
0x00000b0	61 61	27 27	29 29	63 63	65 65	31 31	33 33	67 67
0x00000d0	69 69	35 35	37 37	71 71	73 73	39 39	41 41	75 75
0x00000f0	77 77	43 43	45 45	53 53	26 26	69 69	73 73	36 36
0x0000110	40 40	57 57	61 61	38 38	42 42	59 59	63 63	65 65
0x0000130	69 69	59 59	63 63	67 67	71 71	61 61	65 65	28 28
0x0000150	32 32	75 75	53 53	30 30	34 34	77 77	55 55	73 73
0x0000170	24 24	67 67	71 71	22 22	58 58	24 24	26 26	68 68
0x0000190	70 70	36 36	38 38	72 72	74 74	40 40	42 42	44 44
0x00001b0	46 46	65 65	67 67	48 48	50 50	69 69	71 71	60 60
0x00001d0	62 62	28 28	30 30	64 64	66 66	32 32	34 34	52 52
0x00001f0	54 54	73 73	22 22	56 56	37 37	62 62	66 66	25 25
0x0000210	29 29	54 54	58 58	23 23	27 27	70 70	74 74	76 76
0x0000230	76 76	44 44	48 48	31 31	35 35	60 60	64 64	23 23
0x0000250	27 27	52 52	56 56	39 39	25 25	68 68	72 72	78 78
0x0000270	78 78	46 46	50 50	33 33	51 51	35 35	37 37	41 41
0x0000290	43 43	27 27	29 29	57 57	59 59	25 25	27 27	29 29
0x00002b0	31 31	76 76	78 78	45 45	47 47	31 31	33 33	37 37
0x00002d0	39 39	23 23	25 25	53 53	55 55	39 39	23 23	33 33
0x00002f0	35 35	76 76	78 78	49 49	75 75	39 39	43 43	40 40
0x0000310	44 44	47 47	51 51	48 48	52 52	55 55	59 59	61 61
0x0000330	65 65	29 29	33 33	69 69	73 73	37 37	41 41	77 77
0x0000350	42 42	45 45	49 49	46 46	50 50	53 53	57 57	63 63
0x0000370	67 67	31 31	35 35	71 71	28 28	73 73	75 75	34 34
0x0000390	36 36	42 42	44 44	42 42	44 44	50 50	52 52	54 54
0x00003b0	56 56	61 61	63 63	22 22	24 24	69 69	71 71	30 30
0x00003d0	32 32	77 77	40 40	38 38	40 40	46 46	48 48	58 58
0x00003f0	60 60	65 65	67 67	26 26	44 44	32 32	36 36	70 70

Sample Data



Hop Sequence {k} for Connection state (Adapted channel hopping sequence with even channels used):

CLK start: 0x0000010

ULAP: 0x2a96ef25

Used Channels:0x55555555555555555555

#ticks:	00 02	04 06	08 0a	0c 0e	10 12	14 16	18 1a	1c 1e
0x0000010	52 52	16 16	20 20	50 50	54 54	18 18	22 22	24 24
0x0000030	28 28	74 74	78 78	26 26	30 30	76 76	78 78	32 32
0x0000050	36 36	00 00	04 04	34 34	38 38	02 02	06 06	40 40
0x0000070	44 44	08 08	12 12	42 42	02 02	44 44	46 46	04 04
0x0000090	06 06	48 48	50 50	08 08	10 10	52 52	54 54	56 56
0x00000b0	58 58	24 24	26 26	60 60	62 62	28 28	30 30	64 64
0x00000d0	66 66	32 32	34 34	68 68	70 70	36 36	38 38	72 72
0x00000f0	74 74	40 40	42 42	00 00	26 26	66 66	70 70	36 36
0x0000110	40 40	04 04	08 08	38 38	42 42	06 06	10 10	12 12
0x0000130	16 16	56 56	60 60	14 14	18 18	58 58	62 62	28 28
0x0000150	32 32	72 72	00 00	30 30	34 34	74 74	02 02	20 20
0x0000170	24 24	64 64	68 68	22 22	58 58	24 24	26 26	68 68
0x0000190	70 70	36 36	38 38	72 72	74 74	40 40	42 42	44 44
0x00001b0	46 46	12 12	14 14	48 48	50 50	16 16	18 18	60 60
0x00001d0	62 62	28 28	30 30	64 64	66 66	32 32	34 34	52 52
0x00001f0	54 54	20 20	22 22	56 56	14 14	62 62	66 66	02 02
0x0000210	06 06	54 54	58 58	18 18	22 22	70 70	74 74	76 76
0x0000230	76 76	44 44	48 48	08 08	12 12	60 60	64 64	00 00
0x0000250	04 04	52 52	56 56	16 16	20 20	68 68	72 72	78 78
0x0000270	78 78	46 46	50 50	10 10	46 46	12 12	14 14	36 36
0x0000290	38 38	04 04	06 06	52 52	54 54	20 20	22 22	24 24
0x00002b0	26 26	76 76	78 78	40 40	42 42	08 08	10 10	32 32
0x00002d0	34 34	00 00	02 02	48 48	50 50	16 16	18 18	28 28
0x00002f0	30 30	76 76	78 78	44 44	70 70	34 34	38 38	00 00
0x0000310	04 04	42 42	46 46	08 08	12 12	50 50	54 54	56 56
0x0000330	60 60	24 24	28 28	64 64	68 68	32 32	36 36	72 72
0x0000350	02 02	40 40	44 44	06 06	10 10	48 48	52 52	58 58
0x0000370	62 62	26 26	30 30	66 66	28 28	68 68	70 70	34 34
0x0000390	36 36	02 02	04 04	42 42	44 44	10 10	12 12	14 14
0x00003b0	16 16	56 56	58 58	22 22	24 24	64 64	66 66	30 30
0x00003d0	32 32	72 72	00 00	38 38	40 40	06 06	08 08	18 18
0x00003f0	20 20	60 60	62 62	26 26	44 44	32 32	36 36	70 70

Sample Data



Hop Sequence {k} for Connection state (Adapted channel hopping sequence with odd channels used):

CLK start: 0x0000010

ULAP: 0x2a96ef25

Used Channels:0x2aaaaaaaaaaaaaaaaaaa

#ticks:	00 02	04 06	08 0a	0c 0e	10 12	14 16	18 1a	1c 1e
0x0000010	55 55	19 19	23 23	53 53	57 57	21 21	25 25	27 27
0x0000030	31 31	77 77	03 03	29 29	33 33	01 01	01 01	35 35
0x0000050	39 39	03 03	07 07	37 37	41 41	05 05	09 09	43 43
0x0000070	47 47	11 11	15 15	45 45	07 07	47 47	49 49	09 09
0x0000090	11 11	51 51	53 53	13 13	15 15	55 55	57 57	59 59
0x00000b0	61 61	27 27	29 29	63 63	65 65	31 31	33 33	67 67
0x00000d0	69 69	35 35	37 37	71 71	73 73	39 39	41 41	75 75
0x00000f0	77 77	43 43	45 45	05 05	31 31	69 69	73 73	41 41
0x0000110	45 45	09 09	13 13	43 43	47 47	11 11	15 15	17 17
0x0000130	21 21	59 59	63 63	19 19	23 23	61 61	65 65	33 33
0x0000150	37 37	75 75	05 05	35 35	39 39	77 77	07 07	25 25
0x0000170	29 29	67 67	71 71	27 27	63 63	29 29	31 31	73 73
0x0000190	75 75	41 41	43 43	77 77	01 01	45 45	47 47	49 49
0x00001b0	51 51	17 17	19 19	53 53	55 55	21 21	23 23	65 65
0x00001d0	67 67	33 33	35 35	69 69	71 71	37 37	39 39	57 57
0x00001f0	59 59	25 25	27 27	61 61	19 19	67 67	71 71	07 07
0x0000210	11 11	59 59	63 63	23 23	27 27	75 75	01 01	03 03
0x0000230	01 01	49 49	53 53	13 13	17 17	65 65	69 69	05 05
0x0000250	09 09	57 57	61 61	21 21	25 25	73 73	77 77	05 05
0x0000270	03 03	51 51	55 55	15 15	51 51	17 17	19 19	41 41
0x0000290	43 43	09 09	11 11	57 57	59 59	25 25	27 27	29 29
0x00002b0	31 31	03 03	05 05	45 45	47 47	13 13	15 15	37 37
0x00002d0	39 39	05 05	07 07	53 53	55 55	21 21	23 23	33 33
0x00002f0	35 35	01 01	03 03	49 49	75 75	39 39	43 43	07 07
0x0000310	11 11	47 47	51 51	15 15	19 19	55 55	59 59	61 61
0x0000330	65 65	29 29	33 33	69 69	73 73	37 37	41 41	77 77
0x0000350	09 09	45 45	49 49	13 13	17 17	53 53	57 57	63 63
0x0000370	67 67	31 31	35 35	71 71	35 35	73 73	75 75	41 41
0x0000390	43 43	09 09	11 11	49 49	51 51	17 17	19 19	21 21
0x00003b0	23 23	61 61	63 63	29 29	31 31	69 69	71 71	37 37
0x00003d0	39 39	77 77	07 07	45 45	47 47	13 13	15 15	25 25
0x00003f0	27 27	65 65	67 67	33 33	51 51	39 39	43 43	77 77

Sample Data



2.3 THIRD SET

Hop sequence {k} for Page Scan and Inquiry Scan substates:

```

CLKN start: 0x00000000
ULAP:      0x6587cba9
#ticks:    0000 | 1000 | 2000 | 3000 | 4000 | 5000 | 6000 | 7000 |
-----
0x00000000: 16 | 65 | 67 | 18 | 20 | 53 | 55 | 6 |
0x00080000: 8 | 57 | 59 | 10 | 12 | 69 | 71 | 22 |
0x00100000: 24 | 73 | 75 | 26 | 28 | 45 | 47 | 77 |
0x00180000: 0 | 49 | 51 | 2 | 4 | 61 | 63 | 14 |
0x00200000: 16 | 65 | 67 | 18 | 20 | 53 | 55 | 6 |
0x00280000: 8 | 57 | 59 | 10 | 12 | 69 | 71 | 22 |
0x00300000: 24 | 73 | 75 | 26 | 28 | 45 | 47 | 77 |
0x00380000: 0 | 49 | 51 | 2 | 4 | 61 | 63 | 14 |
    
```

Hop sequence {k} for Page and Inquiry substates:

```

CLKE start: 0x00000000
ULAP:      0x6587cba9
#ticks:    00 01 02 03 | 04 05 06 07 | 08 09 0a 0b | 0c 0d 0e 0f |
-----
0x00000000: 00 49 36 38 | 51 02 42 40 | 04 61 44 46 | 63 14 50 48 |
0x00000100: 16 65 52 54 | 67 18 58 56 | 20 53 60 62 | 55 06 66 64 |
0x00000200: 00 49 36 38 | 51 02 42 40 | 04 61 44 46 | 63 14 50 48 |
0x00000300: 16 65 52 54 | 67 18 58 56 | 20 53 60 62 | 55 06 66 64 |
...
0x00010000: 00 57 36 70 | 59 10 74 72 | 12 69 76 78 | 71 22 03 01 |
0x00010100: 24 73 05 07 | 75 26 11 09 | 28 45 13 30 | 47 77 34 32 |
0x00010200: 00 57 36 70 | 59 10 74 72 | 12 69 76 78 | 71 22 03 01 |
0x00010300: 24 73 05 07 | 75 26 11 09 | 28 45 13 30 | 47 77 34 32 |
...
0x00020000: 08 57 68 70 | 51 02 42 40 | 04 61 44 46 | 63 14 50 48 |
0x00020100: 16 65 52 54 | 67 18 58 56 | 20 53 60 62 | 55 06 66 64 |
0x00020200: 08 57 68 70 | 51 02 42 40 | 04 61 44 46 | 63 14 50 48 |
0x00020300: 16 65 52 54 | 67 18 58 56 | 20 53 60 62 | 55 06 66 64 |
...
0x00030000: 00 49 36 38 | 51 10 42 72 | 12 69 76 78 | 71 22 03 01 |
0x00030100: 24 73 05 07 | 75 26 11 09 | 28 45 13 30 | 47 77 34 32 |
0x00030200: 00 49 36 38 | 51 10 42 72 | 12 69 76 78 | 71 22 03 01 |
0x00030300: 24 73 05 07 | 75 26 11 09 | 28 45 13 30 | 47 77 34 32 |
    
```

Hop sequence {k} for Peripheral Response substate:

```

CLKN* = 0x0000010
ULAP:   0x6587cba9
#ticks: 00 | 02 04 | 06 08 | 0a 0c | 0e 10 | 12 14 | 16 18 | 1a 1c | 1e
-----
0x0000012: 52 | 65 54 | 67 58 | 18 56 | 20 60 | 53 62 | 55 66 | 06 64 | 08
0x0000032: 68 | 57 70 | 59 74 | 10 72 | 12 76 | 69 78 | 71 03 | 22 01 | 24
0x0000052: 05 | 73 07 | 75 11 | 26 09 | 28 13 | 45 30 | 47 34 | 77 32 | 00
0x0000072: 36 | 49 38 | 51 42 | 02 40 | 04 44 | 61 46 | 63 50 | 14 48 | 16
    
```

Hop sequence {k} for Central Response substate:

```

Offset value: 24
CLKE* = 0x0000012
ULAP:   0x6587cba9
#ticks: 00 02 | 04 06 | 08 0a | 0c 0e | 10 12 | 14 16 | 18 1a | 1c 1e |
-----
0x0000014: 65 54 | 67 58 | 18 56 | 20 60 | 53 62 | 55 66 | 06 64 | 08 68 |
0x0000034: 57 70 | 59 74 | 10 72 | 12 76 | 69 78 | 71 03 | 22 01 | 24 05 |
0x0000054: 73 07 | 75 11 | 26 09 | 28 13 | 45 30 | 47 34 | 77 32 | 00 36 |
0x0000074: 49 38 | 51 42 | 02 40 | 04 44 | 61 46 | 63 50 | 14 48 | 16 52 |
    
```

Sample Data



Hop sequence {k} for Connection state (Basic channel hopping sequence; ie, non-AFH):

```

CLK start:      0x0000010
ULAP:          0x6587cba9
#ticks:        00 02 | 04 06 | 08 0a | 0c 0e | 10 12 | 14 16 | 18 1a | 1c 1e |
-----
0x0000010:     20 60 | 53 62 | 55 66 | 06 64 | 08 68 | 57 70 | 59 74 | 10 72 |
0x0000030:     12 76 | 69 78 | 71 03 | 22 01 | 24 05 | 73 07 | 75 11 | 26 09 |
0x0000050:     28 13 | 45 30 | 47 34 | 77 32 | 00 36 | 49 38 | 51 42 | 02 40 |
0x0000070:     04 44 | 61 46 | 63 50 | 14 48 | 50 05 | 16 07 | 20 09 | 48 11 |
0x0000090:     52 13 | 06 15 | 10 17 | 38 19 | 42 21 | 08 23 | 12 25 | 40 27 |
0x00000b0:     44 29 | 22 31 | 26 33 | 54 35 | 58 37 | 24 39 | 28 41 | 56 43 |
0x00000d0:     60 45 | 77 62 | 02 64 | 30 66 | 34 68 | 00 70 | 04 72 | 32 74 |
0x00000f0:     36 76 | 14 78 | 18 01 | 46 03 | 72 29 | 42 39 | 44 43 | 74 41 |
0x0000110:     76 45 | 46 47 | 48 51 | 78 49 | 01 53 | 50 63 | 52 67 | 03 65 |
0x0000130:     05 69 | 54 55 | 56 59 | 07 57 | 09 61 | 58 71 | 60 75 | 11 73 |
0x0000150:     13 77 | 30 15 | 32 19 | 62 17 | 64 21 | 34 31 | 36 35 | 66 33 |
0x0000170:     68 37 | 38 23 | 40 27 | 70 25 | 27 61 | 72 71 | 76 73 | 25 75 |
0x0000190:     29 77 | 78 00 | 03 02 | 31 04 | 35 06 | 01 16 | 05 18 | 33 20 |
0x00001b0:     37 22 | 07 08 | 11 10 | 39 12 | 43 14 | 09 24 | 13 26 | 41 28 |
0x00001d0:     45 30 | 62 47 | 66 49 | 15 51 | 19 53 | 64 63 | 68 65 | 17 67 |
0x00001f0:     21 69 | 70 55 | 74 57 | 23 59 | 53 22 | 35 12 | 37 28 | 67 14 |
0x0000210:     69 30 | 23 32 | 25 48 | 55 34 | 57 50 | 39 40 | 41 56 | 71 42 |
0x0000230:     73 58 | 27 36 | 29 52 | 59 38 | 61 54 | 43 44 | 45 60 | 75 46 |
0x0000250:     77 62 | 15 00 | 17 16 | 47 02 | 49 18 | 31 08 | 33 24 | 63 10 |
0x0000270:     65 26 | 19 04 | 21 20 | 51 06 | 06 54 | 65 42 | 69 58 | 18 46 |
0x0000290:     22 62 | 55 64 | 59 01 | 08 68 | 12 05 | 71 72 | 75 09 | 24 76 |
0x00002b0:     28 13 | 57 66 | 61 03 | 10 70 | 14 07 | 73 74 | 77 11 | 26 78 |
0x00002d0:     30 15 | 47 32 | 51 48 | 00 36 | 04 52 | 63 40 | 67 56 | 16 44 |
0x00002f0:     20 60 | 49 34 | 53 50 | 02 38 | 38 78 | 12 05 | 14 13 | 44 07 |
0x0000310:     46 15 | 16 17 | 18 25 | 48 19 | 50 27 | 24 33 | 26 41 | 56 35 |
0x0000330:     58 43 | 20 21 | 22 29 | 52 23 | 54 31 | 28 37 | 30 45 | 60 39 |
0x0000350:     62 47 | 00 64 | 02 72 | 32 66 | 34 74 | 08 01 | 10 09 | 40 03 |
0x0000370:     42 11 | 04 68 | 06 76 | 36 70 | 70 31 | 42 35 | 46 43 | 74 39 |
0x0000390:     78 47 | 48 49 | 52 57 | 01 53 | 05 61 | 56 65 | 60 73 | 09 69 |
0x00003b0:     13 77 | 50 51 | 54 59 | 03 55 | 07 63 | 58 67 | 62 75 | 11 71 |
0x00003d0:     15 00 | 32 17 | 36 25 | 64 21 | 68 29 | 40 33 | 44 41 | 72 37 |
0x00003f0:     76 45 | 34 19 | 38 27 | 66 23 | 11 71 | 05 18 | 07 22 | 13 20 |
    
```

Sample Data



Hop Sequence {k} for Connection state (Adapted channel hopping sequence with all channels used; ie, AFH(79)):

```

CLK start:    0x0000010
ULAP:        0x6587cba9
Used Channels:0x7fffffff

#ticks:      00 02 | 04 06 | 08 0a | 0c 0e | 10 12 | 14 16 | 18 1a | 1c 1e |
-----
0x0000010    20 20 | 53 53 | 55 55 | 06 06 | 08 08 | 57 57 | 59 59 | 10 10 |
0x0000030    12 12 | 69 69 | 71 71 | 22 22 | 24 24 | 73 73 | 75 75 | 26 26 |
0x0000050    28 28 | 45 45 | 47 47 | 77 77 | 00 00 | 49 49 | 51 51 | 02 02 |
0x0000070    04 04 | 61 61 | 63 63 | 14 14 | 50 50 | 16 16 | 20 20 | 48 48 |
0x0000090    52 52 | 06 06 | 10 10 | 38 38 | 42 42 | 08 08 | 12 12 | 40 40 |
0x00000b0    44 44 | 22 22 | 26 26 | 54 54 | 58 58 | 24 24 | 28 28 | 56 56 |
0x00000d0    60 60 | 77 77 | 02 02 | 30 30 | 34 34 | 00 00 | 04 04 | 32 32 |
0x00000f0    36 36 | 14 14 | 18 18 | 46 46 | 72 72 | 42 42 | 44 44 | 74 74 |
0x0000110    76 76 | 46 46 | 48 48 | 78 78 | 01 01 | 50 50 | 52 52 | 03 03 |
0x0000130    05 05 | 54 54 | 56 56 | 07 07 | 09 09 | 58 58 | 60 60 | 11 11 |
0x0000150    13 13 | 30 30 | 32 32 | 62 62 | 64 64 | 34 34 | 36 36 | 66 66 |
0x0000170    68 68 | 38 38 | 40 40 | 70 70 | 27 27 | 72 72 | 76 76 | 25 25 |
0x0000190    29 29 | 78 78 | 03 03 | 31 31 | 35 35 | 01 01 | 05 05 | 33 33 |
0x00001b0    37 37 | 07 07 | 11 11 | 39 39 | 43 43 | 09 09 | 13 13 | 41 41 |
0x00001d0    45 45 | 62 62 | 66 66 | 15 15 | 19 19 | 64 64 | 68 68 | 17 17 |
0x00001f0    21 21 | 70 70 | 74 74 | 23 23 | 53 53 | 35 35 | 37 37 | 67 67 |
0x0000210    69 69 | 23 23 | 25 25 | 55 55 | 57 57 | 39 39 | 41 41 | 71 71 |
0x0000230    73 73 | 27 27 | 29 29 | 59 59 | 61 61 | 43 43 | 45 45 | 75 75 |
0x0000250    77 77 | 15 15 | 17 17 | 47 47 | 49 49 | 31 31 | 33 33 | 63 63 |
0x0000270    65 65 | 19 19 | 21 21 | 51 51 | 06 06 | 65 65 | 69 69 | 18 18 |
0x0000290    22 22 | 55 55 | 59 59 | 08 08 | 12 12 | 71 71 | 75 75 | 24 24 |
0x00002b0    28 28 | 57 57 | 61 61 | 10 10 | 14 14 | 73 73 | 77 77 | 26 26 |
0x00002d0    30 30 | 47 47 | 51 51 | 00 00 | 04 04 | 63 63 | 67 67 | 16 16 |
0x00002f0    20 20 | 49 49 | 53 53 | 02 02 | 38 38 | 12 12 | 14 14 | 44 44 |
0x0000310    46 46 | 16 16 | 18 18 | 48 48 | 50 50 | 24 24 | 26 26 | 56 56 |
0x0000330    58 58 | 20 20 | 22 22 | 52 52 | 54 54 | 28 28 | 30 30 | 60 60 |
0x0000350    62 62 | 00 00 | 02 02 | 32 32 | 34 34 | 08 08 | 10 10 | 40 40 |
0x0000370    42 42 | 04 04 | 06 06 | 36 36 | 70 70 | 42 42 | 46 46 | 74 74 |
0x0000390    78 78 | 48 48 | 52 52 | 01 01 | 05 05 | 56 56 | 60 60 | 09 09 |
0x00003b0    13 13 | 50 50 | 54 54 | 03 03 | 07 07 | 58 58 | 62 62 | 11 11 |
0x00003d0    15 15 | 32 32 | 36 36 | 64 64 | 68 68 | 40 40 | 44 44 | 72 72 |
0x00003f0    76 76 | 34 34 | 38 38 | 66 66 | 11 11 | 05 05 | 07 07 | 13 13 |
    
```

Sample Data



Hop Sequence {k} for Connection state (Adapted channel hopping sequence with channels 0 to 21 unused):

CLK start: 0x0000010

ULAP: 0x6587cba9

Used Channels:0x7ffffffffffffc00000

#ticks:	00 02	04 06	08 0a	0c 0e	10 12	14 16	18 1a	1c 1e
0x0000010	29 29	53 53	55 55	72 72	74 74	57 57	59 59	76 76
0x0000030	78 78	69 69	71 71	22 22	24 24	73 73	75 75	26 26
0x0000050	28 28	45 45	47 47	77 77	66 66	49 49	51 51	68 68
0x0000070	70 70	61 61	63 63	23 23	50 50	25 25	29 29	48 48
0x0000090	52 52	72 72	76 76	38 38	42 42	74 74	78 78	40 40
0x00000b0	44 44	22 22	26 26	54 54	58 58	24 24	28 28	56 56
0x00000d0	60 60	77 77	68 68	30 30	34 34	66 66	70 70	32 32
0x00000f0	36 36	23 23	27 27	46 46	72 72	42 42	44 44	74 74
0x0000110	76 76	46 46	48 48	78 78	32 32	50 50	52 52	34 34
0x0000130	36 36	54 54	56 56	38 38	40 40	58 58	60 60	42 42
0x0000150	44 44	30 30	32 32	62 62	64 64	34 34	36 36	66 66
0x0000170	68 68	38 38	40 40	70 70	27 27	72 72	76 76	25 25
0x0000190	29 29	78 78	34 34	31 31	35 35	32 32	36 36	33 33
0x00001b0	37 37	38 38	42 42	39 39	43 43	40 40	44 44	41 41
0x00001d0	45 45	62 62	66 66	46 46	50 50	64 64	68 68	48 48
0x00001f0	52 52	70 70	74 74	23 23	53 53	35 35	37 37	67 67
0x0000210	69 69	23 23	25 25	55 55	57 57	39 39	41 41	71 71
0x0000230	73 73	27 27	29 29	59 59	61 61	43 43	45 45	75 75
0x0000250	77 77	46 46	48 48	47 47	49 49	31 31	33 33	63 63
0x0000270	65 65	50 50	52 52	51 51	59 59	65 65	69 69	71 71
0x0000290	22 22	55 55	59 59	61 61	65 65	71 71	75 75	24 24
0x00002b0	28 28	57 57	61 61	63 63	67 67	73 73	77 77	26 26
0x00002d0	30 30	47 47	51 51	53 53	57 57	63 63	67 67	69 69
0x00002f0	73 73	49 49	53 53	55 55	38 38	65 65	67 67	44 44
0x0000310	46 46	69 69	71 71	48 48	50 50	24 24	26 26	56 56
0x0000330	58 58	73 73	22 22	52 52	54 54	28 28	30 30	60 60
0x0000350	62 62	53 53	55 55	32 32	34 34	61 61	63 63	40 40
0x0000370	42 42	57 57	59 59	36 36	70 70	42 42	46 46	74 74
0x0000390	78 78	48 48	52 52	76 76	23 23	56 56	60 60	27 27
0x00003b0	31 31	50 50	54 54	78 78	25 25	58 58	62 62	29 29
0x00003d0	33 33	32 32	36 36	64 64	68 68	40 40	44 44	72 72
0x00003f0	76 76	34 34	38 38	66 66	29 29	23 23	25 25	31 31

Sample Data



Hop Sequence {k} for Connection state (Adapted channel hopping sequence with even channels used):

CLK start: 0x0000010

ULAP: 0x6587cba9

Used Channels: 0x55555555555555555555

#ticks:	00 02	04 06	08 0a	0c 0e	10 12	14 16	18 1a	1c 1e
0x0000010	20 20	52 52	54 54	06 06	08 08	56 56	58 58	10 10
0x0000030	12 12	68 68	70 70	22 22	24 24	72 72	74 74	26 26
0x0000050	28 28	44 44	46 46	76 76	00 00	48 48	50 50	02 02
0x0000070	04 04	60 60	62 62	14 14	50 50	16 16	20 20	48 48
0x0000090	52 52	06 06	10 10	38 38	42 42	08 08	12 12	40 40
0x00000b0	44 44	22 22	26 26	54 54	58 58	24 24	28 28	56 56
0x00000d0	60 60	76 76	02 02	30 30	34 34	00 00	04 04	32 32
0x00000f0	36 36	14 14	18 18	46 46	72 72	42 42	44 44	74 74
0x0000110	76 76	46 46	48 48	78 78	78 78	50 50	52 52	00 00
0x0000130	02 02	54 54	56 56	04 04	06 06	58 58	60 60	08 08
0x0000150	10 10	30 30	32 32	62 62	64 64	34 34	36 36	66 66
0x0000170	68 68	38 38	40 40	70 70	24 24	72 72	76 76	22 22
0x0000190	26 26	78 78	00 00	28 28	32 32	78 78	02 02	30 30
0x00001b0	34 34	04 04	08 08	36 36	40 40	06 06	10 10	38 38
0x00001d0	42 42	62 62	66 66	12 12	16 16	64 64	68 68	14 14
0x00001f0	18 18	70 70	74 74	20 20	50 50	32 32	34 34	64 64
0x0000210	66 66	20 20	22 22	52 52	54 54	36 36	38 38	68 68
0x0000230	70 70	24 24	26 26	56 56	58 58	40 40	42 42	72 72
0x0000250	74 74	12 12	14 14	44 44	46 46	28 28	30 30	60 60
0x0000270	62 62	16 16	18 18	48 48	06 06	62 62	66 66	18 18
0x0000290	22 22	52 52	56 56	08 08	12 12	68 68	72 72	24 24
0x00002b0	28 28	54 54	58 58	10 10	14 14	70 70	74 74	26 26
0x00002d0	30 30	44 44	48 48	00 00	04 04	60 60	64 64	16 16
0x00002f0	20 20	46 46	50 50	02 02	38 38	12 12	14 14	44 44
0x0000310	46 46	16 16	18 18	48 48	50 50	24 24	26 26	56 56
0x0000330	58 58	20 20	22 22	52 52	54 54	28 28	30 30	60 60
0x0000350	62 62	00 00	02 02	32 32	34 34	08 08	10 10	40 40
0x0000370	42 42	04 04	06 06	36 36	70 70	42 42	46 46	74 74
0x0000390	78 78	48 48	52 52	76 76	00 00	56 56	60 60	04 04
0x00003b0	08 08	50 50	54 54	78 78	02 02	58 58	62 62	06 06
0x00003d0	10 10	32 32	36 36	64 64	68 68	40 40	44 44	72 72
0x00003f0	76 76	34 34	38 38	66 66	06 06	00 00	02 02	08 08

Sample Data



Hop Sequence {k} for Connection state (Adapted channel hopping sequence with odd channels used):

CLK start: 0x0000010

ULAP: 0x6587cba9

Used Channels:0x2aaaaaaaaaaaaaaaaaaaa

#ticks:	00 02	04 06	08 0a	0c 0e	10 12	14 16	18 1a	1c 1e
0x0000010	23 23	53 53	55 55	09 09	11 11	57 57	59 59	13 13
0x0000030	15 15	69 69	71 71	25 25	27 27	73 73	75 75	29 29
0x0000050	31 31	45 45	47 47	77 77	03 03	49 49	51 51	05 05
0x0000070	07 07	61 61	63 63	17 17	53 53	19 19	23 23	51 51
0x0000090	55 55	09 09	13 13	41 41	45 45	11 11	15 15	43 43
0x00000b0	47 47	25 25	29 29	57 57	61 61	27 27	31 31	59 59
0x00000d0	63 63	77 77	05 05	33 33	37 37	03 03	07 07	35 35
0x00000f0	39 39	17 17	21 21	49 49	75 75	45 45	47 47	77 77
0x0000110	01 01	49 49	51 51	03 03	01 01	53 53	55 55	03 03
0x0000130	05 05	57 57	59 59	07 07	09 09	61 61	63 63	11 11
0x0000150	13 13	33 33	35 35	65 65	67 67	37 37	39 39	69 69
0x0000170	71 71	41 41	43 43	73 73	27 27	75 75	01 01	25 25
0x0000190	29 29	03 03	03 03	31 31	35 35	01 01	05 05	33 33
0x00001b0	37 37	07 07	11 11	39 39	43 43	09 09	13 13	41 41
0x00001d0	45 45	65 65	69 69	15 15	19 19	67 67	71 71	17 17
0x00001f0	21 21	73 73	77 77	23 23	53 53	35 35	37 37	67 67
0x0000210	69 69	23 23	25 25	55 55	57 57	39 39	41 41	71 71
0x0000230	73 73	27 27	29 29	59 59	61 61	43 43	45 45	75 75
0x0000250	77 77	15 15	17 17	47 47	49 49	31 31	33 33	63 63
0x0000270	65 65	19 19	21 21	51 51	11 11	65 65	69 69	23 23
0x0000290	27 27	55 55	59 59	13 13	17 17	71 71	75 75	29 29
0x00002b0	33 33	57 57	61 61	15 15	19 19	73 73	77 77	31 31
0x00002d0	35 35	47 47	51 51	05 05	09 09	63 63	67 67	21 21
0x00002f0	25 25	49 49	53 53	07 07	43 43	17 17	19 19	49 49
0x0000310	51 51	21 21	23 23	53 53	55 55	29 29	31 31	61 61
0x0000330	63 63	25 25	27 27	57 57	59 59	33 33	35 35	65 65
0x0000350	67 67	05 05	07 07	37 37	39 39	13 13	15 15	45 45
0x0000370	47 47	09 09	11 11	41 41	75 75	47 47	51 51	01 01
0x0000390	05 05	53 53	57 57	01 01	05 05	61 61	65 65	09 09
0x00003b0	13 13	55 55	59 59	03 03	07 07	63 63	67 67	11 11
0x00003d0	15 15	37 37	41 41	69 69	73 73	45 45	49 49	77 77
0x00003f0	03 03	39 39	43 43	71 71	11 11	05 05	07 07	13 13



3 ACCESS CODE SAMPLE DATA

Different access codes (GIAC, DIACs, others...)

LAP with LSB as rightmost bit.

Bit transmit order on air				
----->				
LAP:	Preamble:	Sync word:	Trailer:	

000000	5	7e7041e3	4000000d	5
ffffff	a	e758b522	7fffffff2	a
9e8b33	5	475c58cc	73345e72	a
9e8b34	5	28ed3c34	cb345e72	a
9e8b36	5	62337b64	1b345e72	a
9e8b39	a	c05747b9	e7345e72	a
9e8b3d	5	7084eab0	2f345e72	a
9e8b42	5	64c86d2b	90b45e72	a
9e8b48	a	e3c3725e	04b45e72	a
9e8b4f	a	8c7216a6	bc45e72	a
9e8b57	a	b2f16c30	fab45e72	a
9e8b60	5	57bd3b22	c1b45e72	a
9e8b6a	a	d0b62457	55b45e72	a
9e8b75	a	81843a39	abb45e72	a
9e8b81	5	0ca96681	e0745e72	a
9e8b8e	a	aecd5a5c	1c745e72	a
9e8b9c	5	17453fbf	ce745e72	a
9e8bab	a	f20968ad	f5745e72	a
9e8bbb	5	015f4a1e	f7745e72	a
9e8bcc	a	d8c695a0	0cf45e72	a
9e8bde	5	614ef043	def45e72	a
9e8bf1	a	ba81ddc7	a3f45e72	a
9e8c05	5	64a7dc4f	680c5e72	a
9e8c1a	5	3595c221	960c5e72	a
9e8c30	a	cb35cc0d	830c5e72	a
9e8c47	5	12ac13b3	788c5e72	a
9e8c5f	5	2c2f6925	3e8c5e72	a
9e8c78	5	3a351c84	078c5e72	a
9e8c92	5	7396d0f3	124c5e72	a
9e8cad	5	5b0fd4c4	6d4c5e72	a
9e8cc9	a	aea2eb38	e4cc5e72	a
9e8ce6	5	756dc6bc	99cc5e72	a
9e8d04	5	214cf934	882c5e72	a
9e8d23	5	37568c95	b12c5e72	a
9e8d43	5	72281560	f0ac5e72	a
9e8d64	5	643260c1	c9ac5e72	a
9e8d86	a	e044f493	986c5e72	a
9e8da9	5	3b8bd917	e56c5e72	a
9e8dcd	a	ce26edeb	6cec5e72	a
9e8df2	a	e6bfe2dc	13ec5e72	a
9e8e18	a	82dcde3d	c61c5e72	a
9e8e3f	a	94c6ab9c	ff1c5e72	a

Sample Data



9e8e67		a		969059a6 799c5e72		a	
9e8e90		a		c4dfcccf 425c5e72		a	
9e8eba		5		3a7fc2c3 575c5e72		a	
9e8ee5		5		57985401 69dc5e72		a	
9e8f11		5		0ae2a363 623c5e72		a	
9e8f3e		a		d12d8ee7 1f3c5e72		a	
9e8f6c		5		547063a8 0dbc5e72		a	
9e8f9b		5		063ff6e1 367c5e72		a	
9e8fcb		a		c9bc5cfe f4fc5e72		a	
9e8ffc		5		2cf00bec cffc5e72		a	
9e902e		a		8ec5052f 5d025e72		a	
9e9061		5		1074b15e 61825e72		a	
9e9095		a		9d59ede6 2a425e72		a	
9e90ca		a		f0be7b24 14c25e72		a	
9e9100		5		10e10dd0 c0225e72		a	
9e9137		a		f5ad5ac2 fb225e72		a	
9e916f		a		f7fba8f8 7da25e72		a	
9e91a8		5		2f490e5b c5625e72		a	
9e91e2		a		94979982 91e25e72		a	
9e921d		5		26cda478 2e125e72		a	
9e9259		a		aacb81dd 26925e72		a	
9e9296		a		bfac7f5b da525e72		a	
9e92d4		a		c9a7b0a7 cad25e72		a	
9e9313		a		c142bdde 32325e72		a	
616cec		5		586a491f 0dcda18d		5	
616ceb		5		37db2de7 b5cda18d		5	
616ce9		5		7d056ab7 65cda18d		5	
616ce6		a		df61566a 99cda18d		5	
616ce2		5		6fb2fb63 51cda18d		5	
616cdd		5		472bf454 2ecda18d		5	
616cd7		a		c020eb21 bacda18d		5	
616cd0		a		af918fd9 02cda18d		5	
616cc8		a		9112f54f 44cda18d		5	
616cbf		5		488b2af1 bf4da18d		5	
616cb5		a		cf803584 2b4da18d		5	
616caa		a		9eb22bea d54da18d		5	
616c9e		a		a49cb509 9e4da18d		5	
616c91		5		06f889d4 624da18d		5	
616c83		a		bf70ec37 b04da18d		5	
616c74		a		ed3f797e 8b8da18d		5	
616c64		5		1e695bcd 898da18d		5	
616c53		a		fb250cdf b28da18d		5	
616c41		5		42ad693c 608da18d		5	
616c2e		a		a5b7cc14 dd0da18d		5	
616c1a		a		9f9952f7 960da18d		5	
616c05		a		ceab4c99 680da18d		5	
616bef		a		d403ddde fdf5a18d		5	
616bd8		5		314f8acc c6f5a18d		5	
616bc0		5		0fccf05a 80f5a18d		5	
616ba7		5		25030d57 7975a18d		5	
616b8d		a		dba3037b 6c75a18d		5	
616b72		5		4439ce17 13b5a18d		5	

Sample Data



616b56		a		8d417247 5ab5a18d		5	
616b39		5		6a5bd76f e735a18d		5	
616b1b		5		592e8166 b635a18d		5	
616afc		5		28609d46 cfd5a18d		5	
616adc		5		51cb8c1f 4ed5a18d		5	
616abb		5		7b047112 b755a18d		5	
616a99		5		4871271b e655a18d		5	
616a76		5		24bdc8c4 9b95a18d		5	
616a52		a		edc57494 d295a18d		5	
616a2d		a		f989f30f 6d15a18d		5	
616a07		5		0729fd23 7815a18d		5	
6169e0		a		8bf0ba4f 81e5a18d		5	
6169b8		a		89a64875 0765a18d		5	
61698f		5		6ce1f67 3c65a18d		5	
616965		5		2549d310 29a5a18d		5	
61693a		5		48ae45d2 1725a18d		5	
61690e		5		7280db31 5c25a18d		5	
6168e1		a		ce1b9f34 61c5a18d		5	
6168b3		5		4b46727b 7345a18d		5	
616884		a		ae0a2569 4845a18d		5	
616854		a		ea5fc581 4a85a18d		5	
616823		5		33c61a3f b105a18d		5	
6167f1		a		c49fb8c5 63f9a18d		5	
6167be		5		5a2e0cb4 5f79a18d		5	
61678a		5		60009257 1479a18d		5	
616755		a		86314e62 eab9a18d		5	
61671f		5		3defd9bb be39a18d		5	
6166e8		a		bff7e728 c5d9a18d		5	
6166b0		a		bda11512 4359a18d		5	
616677		5		6513b3b1 fb99a18d		5	
61663d		a		decd2468 af19a18d		5	
616602		a		f6542b5f d019a18d		5	
6165c6		a		dc44b49b d8e9a18d		5	
616589		5		42f500ea e469a18d		5	
61654b		a		bf2885e1 34a9a18d		5	
61650c		a		ec4c69b5 4c29a18d		5	



4 HEC AND PACKET HEADER SAMPLE DATA

This section contains examples of HECs computed for sample UAP and packet header contents (Data). The resulting 54 bit packet headers are shown in the rightmost column. The UAP, Data and HEC values are in hexadecimal notation, while the header is in octal notation. The header is transmitted from left to right over the air.

UAP	Data	HEC	Header (octal)
00	123	e1	770007 007070 000777
47	123	06	770007 007007 700000
00	124	32	007007 007007 007700
47	124	d5	007007 007070 707077
00	125	5a	707007 007007 077070
47	125	bd	707007 007070 777707
00	126	e2	077007 007007 000777
47	126	05	077007 007070 700000
00	127	8a	777007 007007 070007
47	127	6d	777007 007070 770770
00	11b	9e	770770 007007 777007
47	11b	79	770770 007070 077770
00	11c	4d	007770 007070 770070
47	11c	aa	007770 007007 070707
00	11d	25	707770 007070 700700
47	11d	c2	707770 007007 000077
00	11e	9d	077770 007070 777007
47	11e	7a	077770 007007 077770
00	11f	f5	777770 007070 707777
47	11f	12	777770 007007 007000



5 CRC SAMPLE DATA

This section shows the CRC computed for a sample 10 byte payload and a UAP of 0x47.

Data:

```
data[0] = 0x4e
data[1] = 0x01
data[2] = 0x02
data[3] = 0x03
data[4] = 0x04
data[5] = 0x05
data[6] = 0x06
data[7] = 0x07
data[8] = 0x08
data[9] = 0x09
```

UAP = 0x47

==> CRC = 6d d2

Codeword (hexadecimal notation):

4e 01 02 03 04 05 06 07 08 09 6d d2

NB: Over the air each byte in the codeword
is sent with the LSB first.



6 COMPLETE SAMPLE PACKETS

6.1 EXAMPLE OF DH1 PACKET

Packet header: (MSB...LSB)

LT_ADDR = 011
 TYPE = 0100 (DH1)
 FLOW = 0
 ARQN = 1
 SEQN = 0

Payload: (MSB...LSB)

payload length: 5 bytes
 logical channel = 10 (UA/I, Start L2CAP message)
 flow = 1
 data byte 1 = 00000001
 data byte 2 = 00000010
 data byte 3 = 00000011
 data byte 4 = 00000100
 data byte 5 = 00000101

HEC and CRC initialization: (MSB...LSB)

uap = 01000111

NO WHITENING USED

AIR DATA (LSB...MSB)

Packet header (incl HEC):

111111000
 000000111000
 000111000
 000111111000000000000000

Payload (incl payload header and CRC):

01110100
 10000000
 01000000
 11000000
 00100000
 10100000
 1110110000110110

Sample Data**6.2 EXAMPLE OF DM1 PACKET**

Packet header: (MSB...LSB)

```
-----
LT_ADDR = 011
TYPE = 0011 (DM1)
FLOW = 0
ARQN = 1
SEQN = 0
```

Payload: (MSB...LSB)

```
-----
payload length: 5 bytes
logical channel = 10 (UA/I, Start L2CAP message)
flow = 1
data byte 1 = 00000001
data byte 2 = 00000010
data byte 3 = 00000011
data byte 4 = 00000100
data byte 5 = 00000101
```

HEC and CRC initialization: (MSB...LSB)

```
-----
uap = 01000111

NO WHITENING USED
```

AIR DATA (LSB...MSB)

Packet header (incl HEC):

```
-----
111111000
111111000000
000111000
11100000011111111111000
```

Payload (incl payload header, FEC23, CRC and 6 padded zeros):

```
-----
0111010010 11001
0000000100 01011
0000110000 11110
0000100000 00111
1010000011 01100
1011000011 00010
0110000000 10001
```



7 SECURE SIMPLE PAIRING SAMPLE DATA

This section provides sample data for the Secure Simple Pairing cryptographic functions (f1, f2, f3, g and the ECDH calculations).

7.1 ELLIPTIC CURVE SAMPLE DATA

In each data set, the bytes are ordered from least significant on the right to most significant on the left.

7.1.1 P-192 sample data

7.1.1.1 P-192 data set 1

```
Private A: 07915f86918ddc27005df1d6cf0c142b625ed2eff4a518ff
Private B: 1e636ca790b50f68f15d8dbe86244e309211d635de00e16d
Public A(x): 15207009984421a6586f9fc3fe7e4329d2809ea51125f8ed
Public A(y): b09d42b81bc5bd009f79e4b59dbbaa857fca856fb9f7ea25
DHKey: fb3ba2012c7e62466e486e229290175b4afebc13fdccee46
```

7.1.1.2 P-192 data set 2

```
Private A: 52ec1ca6e0ec973c29065c3ca10be80057243002f09bb43e
Private B: 57231203533e9efe18cc622fd0e34c6a29c6e0fa3ab3bc53
Public A(x): 45571f027e0d690795d61560804da5de789a48f94ab4b07e
Public A(y): 0220016e8a6bce74b45ffec1e664aaa0273b7cbd907a8e2b
DHKey: a20a34b5497332aa7a76ab135cc0c168333be309d463c0c0
```

7.1.1.3 P-192 data set 3

```
Private A: 00a0df08eaf51e6e7be519d67c6749ea3f4517cdd2e9e821
Private B: 2bf5e0d1699d50ca5025e8e2d9b13244b4d322a328be1821
Public A(x): 2ed35b430fa45f9d329186d754eeeb0495f0f653127f613d
Public A(y): 27e08db74e424395052ddae7e3d5a8fecb52a8039b735b73
DHKey: 3b3986ba70790762f282a12a6d3bcae7a2ca01e25b87724e
```

7.1.1.4 P-192 data set 4

```
Private A: 030a4af66e1a4d590a83e0284fca5cdf83292b84f4c71168
Private B: 12448b5c69ecd10c0471060f2bf86345c5e83c03d16bae2c
Public A(x): f24a6899218fa912e7e4a8ba9357cb8182958f9fa42c968c
Public A(y): 7c0b8a9ebe6ea92e968c3a65f9f1a9716fe826ad88c97032
DHKey: 4a78f83fba757c35f94abea43e92effdd2bc700723c61939
```

Sample Data**7.1.1.5 P-192 data set 5**

Private A: 604df406c649cb460be16244589a40895c0db7367dc11a2f
Private B: 526c2327303cd505b9cf0c012471902bb9e842ce32b0addc
Public A(x): cbe3c629aceb41b73d475a79fbfe8c08cdc80ceec00ee7c9
Public A(y): f9f70f7ae42abda4f33af56f7f6aa383354e453fa1a2bd18
DHKey: 64d4fe35567e6ea0ca31f947e1533a635436d4870ce88c45

7.1.1.6 P-192 data set 6

Private A: 1a2c582a09852979eb2cee18fb0befb9a55a6d06f6a8fad3
Private B: 243778916920d68df535955bc1a3cccd5811133a8205ae41
Public A(x): eca2d8d30bbef3ba8b7d591fdb98064a6c7b870cdcebe67c
Public A(y): 2e4163a44f3ae26e70dae86f1bf786e1a5db5562a8ed9fee
DHKey: 6433b36a7e9341940e78a63e31b3cf023282f7f1e3bf83bd

7.1.1.7 P-192 data set 7

Private A: 0f494dd08b493edb07228058a9f30797ff147a5a2adef9b3
Private B: 2da4cd46d9e06e81b1542503f2da89372e927877becec1be
Public A(x): 9f56a8aa27346d66652a546abacc7d69c17fd66e0853989f
Public A(y): d7234c1464882250df7bbe67e0fa22aae475dc58af0c4210
DHKey: c67beda9baf3c96a30616bf87a7d0ae704bc969e5cad354b

7.1.1.8 P-192 data set 8

Private A: 7381d2bc6ddec65126564cb1af6ca1985d19fb57f0fff16
Private B: 18e276beff75adc3d520badb3806822e1c820f1064447848
Public A(x): 61c7f3c6f9e09f41423dce889de1973d346f2505a5a3b19b
Public A(y): 919972ff4cd6aed8a4821e3adc358b41f7be07ede20137df
DHKey: 6931496eef2fcfb03e0b1eef515dd4e1b0115b8b241b0b84

7.1.1.9 P-192 data set 9

Private A: 41c7b484ddc37ef6b7952c379f87593789dac6e4f3d8d8e6
Private B: 33e4eaa77f78216e0e99a9b200f81d2ca20dc74ad62d9b78
Public A(x): 9f09c773adb8e7b66b5d986cd15b143341a66d824113c15f
Public A(y): d2000a91738217ab8070a76c5f96c03de317dfab774f4837
DHKey: a518f3826bb5fa3d5bc37da4217296d5b6af51e5445c6625

7.1.1.10 P-192 data set 10

Private A: 703cf5ee9c075f7726d0bb36d131c664f5534a6e6305d631
Private B: 757291c620a0e7e9dd13ce09ceb729c0ce1980e64d569b5f
Public A(x): fa2b96d382cf894aeeb0bd985f3891e655a6315cd5060d03
Public A(y): f7e8206d05c7255300cc56c88448158c497f2df596add7a2
DHKey: 12a3343bb453bb5408da42d20c2d0fcc18ff078f56d9c68c



7.1.2 P-256 sample data

7.1.2.1 P-256 data set 1

```
Private A: 3f49f6d4 a3c55f38 74c9b3e3 d2103f50 4aff607b eb40b799 5899b8a6 cd3c1abd
Private B: 55188b3d 32f6bb9a 900afcfc eed4e72a 59cb9ac2 f19d7cfb 6b4fdd49 f47fc5fd
Public A(x): 20b003d2 f297be2c 5e2c83a7 e9f9a5b9 eff49111 acf4fddb cc030148 0e359de6
Public A(y): dc809c49 652aeb6d 63329abf 5a52155c 766345c2 8fed3024 741c8ed0 1589d28b
Public B(x): 1ealf0f0 1faf1d96 09592284 f19e4c00 47b58afd 8615a69f 559077b2 2faaa190
Public B(y): 4c55f33e 429dad37 7356703a 9ab85160 472d1130 e28e3676 5f89aff9 15b1214a
DHKey:      ec0234a3 57c8ad05 341010a6 0a397d9b 99796b13 b4f866f1 868d34f3 73bfa698
```

7.1.2.2 P-256 data set 2

```
Private A: 06a51669 3c9aa31a 6084545d 0c5db641 b48572b9 7203ddff b7ac73f7 d0457663
Private B: 529aa067 0d72cd64 97502ed4 73502b03 7e8803b5 c60829a5 a3caa219 505530ba
Public A(x): 2c31a47b 5779809e f44cb5ea af5c3e43 d5f8faad 4a8794cb 987e9b03 745c78dd
Public A(y): 91951218 3898dfbe cd52e240 8e43871f d0211091 17bd3ed4 eaf84377 43715d4f
Public B(x): f465e43f f23d3f1b 9dc7dfc0 4da87581 84dbc966 204796ec cf0d6cf5 e16500cc
Public B(y): 0201d048 bcbbd899 eeefc424 164e33c2 01c2b010 ca6b4d43 a8a155ca d8ecb279
DHKey:      ab85843a 2f6d883f 62e5684b 38e30733 5fe6e194 5ecd1960 4105c6f2 3221eb69
```



7.2 HASH FUNCTIONS SAMPLE DATA

In each data set, the bytes are ordered from least significant on the right to most significant on the left.

7.2.1 f1()

7.2.1.1 f1() with P-192 inputs

Set 1a

```
U:      15207009984421a6586f9fc3fe7e4329d2809ea51125f8ed
V:      356b31938421fbbf2fb331c89fd588a69367e9a833f56812
X:      d5cb8454d177733effffb2ec712baeab
Z:      00
output: 1bdc955a9d542ffc9f9e670cdf665010
```

Set 1b

```
U:      15207009984421a6586f9fc3fe7e4329d2809ea51125f8ed
V:      356b31938421fbbf2fb331c89fd588a69367e9a833f56812
X:      d5cb8454d177733effffb2ec712baeab
Z:      80
output: 611325ebcb6e5269b868113306095fa6
```

Set 1c

```
U:      15207009984421a6586f9fc3fe7e4329d2809ea51125f8ed
V:      356b31938421fbbf2fb331c89fd588a69367e9a833f56812
X:      d5cb8454d177733effffb2ec712baeab
Z:      81
output: b68df39fd8a406b06a6c517d3666cf91
```

Set 2a (swapped U and V inputs compared with set 1)

```
U:      356b31938421fbbf2fb331c89fd588a69367e9a833f56812
V:      15207009984421a6586f9fc3fe7e4329d2809ea51125f8ed
X:      d5cb8454d177733effffb2ec712baeab
Z:      00
output: f4e1ec4b88f305e81477627b1643a927
```

Set 2b (swapped U and V inputs compared with set 1)

```
U:      356b31938421fbbf2fb331c89fd588a69367e9a833f56812
V:      15207009984421a6586f9fc3fe7e4329d2809ea51125f8ed
X:      d5cb8454d177733effffb2ec712baeab
Z:      80
output: ac6aa7cfa96ae99dd3a74225adb068ae
```

Sample Data

Set 2c (swapped U and V inputs compared with set 1)

U: 356b31938421fbbf2fb331c89fd588a69367e9a833f56812
V: 15207009984421a6586f9fc3fe7e4329d2809ea51125f8ed
X: d5cb8454d177733effffb2ec712baeab
Z: 81
output: 5ad4721258aa1fa06082edad980d0cc5

Set 3a (U and V set to same value as U in set 1)

U: 15207009984421a6586f9fc3fe7e4329d2809ea51125f8ed
V: 15207009984421a6586f9fc3fe7e4329d2809ea51125f8ed
X: d5cb8454d177733effffb2ec712baeab
Z: 00
output: 49125fc1e8cdc615826c15e5d23ede41

Set 3b (U and V set to same value as V in set 1)

U: 356b31938421fbbf2fb331c89fd588a69367e9a833f56812
V: 356b31938421fbbf2fb331c89fd588a69367e9a833f56812
X: d5cb8454d177733effffb2ec712baeab
Z: 80
output: 159f204c520565175c2b9c523acad2eb

Set 3c (U and V set to same value as V in set 1)

U: 356b31938421fbbf2fb331c89fd588a69367e9a833f56812
V: 356b31938421fbbf2fb331c89fd588a69367e9a833f56812
X: d5cb8454d177733effffb2ec712baeab
Z: 81
output: 9a162ff9a8235e5b12539ba0ff9179da

7.2.1.2 f1() with P-256 inputs

Set 1a

U: 20b003d2f297be2c5e2c83a7e9f9a5b9eff49111acf4fddbcc0301480e359de6
V: 55188b3d32f6bb9a900afcbeed4e72a59cb9ac2f19d7cfb6b4fdd49f47fc5fd
X: d5cb8454d177733effffb2ec712baeab
Z: 00
output: D301CE92CC7B9E3F51D2924B8B33FACA

Set 1b

U: 20b003d2f297be2c5e2c83a7e9f9a5b9eff49111acf4fddbcc0301480e359de6
V: 55188b3d32f6bb9a900afcbeed4e72a59cb9ac2f19d7cfb6b4fdd49f47fc5fd
X: d5cb8454d177733effffb2ec712baeab
Z: 80
output: 7E431112C10DE8A3984C8AC8149FF6EC

Sample Data**7.2.2 g()****7.2.2.1 g() with P-192 inputs**

Set 1

U: 15207009984421a6586f9fc3fe7e4329d2809ea51125f8ed
V: 356b31938421fbbf2fb331c89fd588a69367e9a833f56812
X: d5cb8454d177733effffb2ec712baeab
Y: a6e8e7cc25a75f6e216583f7ff3dc4cf
output: 52146a1e
output (decimal): 1377069598
6 digits (decimal): 069598

7.2.2.2 g() with P-256 inputs

Set 1

U: 20b003d2f297be2c5e2c83a7e9f9a5b9eff49111acf4fddbcc0301480e359de6
V: 55188b3d32f6bb9a900afcfbeed4e72a59cb9ac2f19d7cfb6b4fdd49f47fc5fd
X: d5cb8454d177733effffb2ec712baeab
Y: a6e8e7cc25a75f6e216583f7ff3dc4cf
output: 000240E0
output (decimal): 147680
6 digits (decimal): 147680

7.2.3 f2()**7.2.3.1 f2() with P-192 inputs**

Set 1

W: fb3ba2012c7e62466e486e229290175b4afebc13fdccee46
N1: d5cb8454d177733effffb2ec712baeab
N2: a6e8e7cc25a75f6e216583f7ff3dc4cf
keyID: 62746c6b
A1: 56123737bfce
A2: a713702dcfc1
output: c234c1198f3b520186ab92a2f874934e

7.2.3.2 f2() with P-256 inputs

Set 1

W: ec0234a357c8ad05341010a60a397d9b99796b13b4f866f1868d34f373bfa698
N1: d5cb8454d177733effffb2ec712baeab
N2: a6e8e7cc25a75f6e216583f7ff3dc4cf
keyID: 62746c6b
A1: 56123737bfce
A2: a713702dcfc1
output: 47300bb95c7404129450674b1741104d

Sample Data**7.2.4 f3()****7.2.4.1 f3() with P-192 inputs**

Set 1

W: fb3ba2012c7e62466e486e229290175b4afebc13fdccee46
N1: d5cb8454d177733effffb2ec712baeab
N2: a6e8e7cc25a75f6e216583f7ff3dc4cf
R: 12a3343bb453bb5408da42d20c2d0fc8
IOcap: 000000
A1: 56123737bfce
A2: a713702dcfc1
output: 5e6a346b8add7ee80e7ec0c2461b1509

Set 2

W: fb3ba2012c7e62466e486e229290175b4afebc13fdccee46
N1: d5cb8454d177733effffb2ec712baeab
N2: a6e8e7cc25a75f6e216583f7ff3dc4cf
R: 12a3343bb453bb5408da42d20c2d0fc8
IOcap: 000001
A1: 56123737bfce
A2: a713702dcfc1
output: 7840e5445a13e3ce6e48a2decbe51482

Set 3

W: fb3ba2012c7e62466e486e229290175b4afebc13fdccee46
N1: d5cb8454d177733effffb2ec712baeab
N2: a6e8e7cc25a75f6e216583f7ff3dc4cf
R: 12a3343bb453bb5408da42d20c2d0fc8
IOcap: 000002
A1: 56123737bfce
A2: a713702dcfc1
output: da9afb5c6c9dbe0af4722b532520c4b3

Set 4

W: fb3ba2012c7e62466e486e229290175b4afebc13fdccee46
N1: d5cb8454d177733effffb2ec712baeab
N2: a6e8e7cc25a75f6e216583f7ff3dc4cf
R: 12a3343bb453bb5408da42d20c2d0fc8
IOcap: 000003
A1: 56123737bfce
A2: a713702dcfc1
output: 2c0f220c50075285852e01bcee4b5f90

Sample Data

Set 5

W: fb3ba2012c7e62466e486e229290175b4afebc13fdccee46
N1: d5cb8454d177733effffb2ec712baeab
N2: a6e8e7cc25a75f6e216583f7ff3dc4cf
R: 12a3343bb453bb5408da42d20c2d0fc8
IOcap: 000100
A1: 56123737bfce
A2: a713702dcfc1
output: 0a096af0fa61dce0933987febe95fc7d

Set 6

W: fb3ba2012c7e62466e486e229290175b4afebc13fdccee46
N1: d5cb8454d177733effffb2ec712baeab
N2: a6e8e7cc25a75f6e216583f7ff3dc4cf
R: 12a3343bb453bb5408da42d20c2d0fc8
IOcap: 000101
A1: 56123737bfce
A2: a713702dcfc1
output: 49b8d74007888e770e1a49d6810069b9

Set 7

W: fb3ba2012c7e62466e486e229290175b4afebc13fdccee46
N1: d5cb8454d177733effffb2ec712baeab
N2: a6e8e7cc25a75f6e216583f7ff3dc4cf
R: 12a3343bb453bb5408da42d20c2d0fc8
IOcap: 000102
A1: 56123737bfce
A2: a713702dcfc1
output: 309cd0327dec2514894a0c88b101a436

Set 8

W: fb3ba2012c7e62466e486e229290175b4afebc13fdccee46
N1: d5cb8454d177733effffb2ec712baeab
N2: a6e8e7cc25a75f6e216583f7ff3dc4cf
R: 12a3343bb453bb5408da42d20c2d0fc8
IOcap: 000103
A1: 56123737bfce
A2: a713702dcfc1
output: 4512274ba875b156c2187e2061b90434

Set 9 (same as set 1 with N1 and N2 swapped and A1 and A2 swapped)

W: fb3ba2012c7e62466e486e229290175b4afebc13fdccee46
N1: a6e8e7cc25a75f6e216583f7ff3dc4cf
N2: d5cb8454d177733effffb2ec712baeab
R: 12a3343bb453bb5408da42d20c2d0fc8
IOcap: 000000
A1: a713702dcfc1
A2: 56123737bfce
output: 8d56dc59e70855f563b5e85e42d5964e

Sample Data

Set 10 (same as set 2 with N1 and N2 swapped and A1 and A2 swapped)

W: fb3ba2012c7e62466e486e229290175b4afebc13fdccee46
N1: a6e8e7cc25a75f6e216583f7ff3dc4cf
N2: d5cb8454d177733effffb2ec712baeab
R: 12a3343bb453bb5408da42d20c2d0fc8
IOcap: 000001
A1: a713702dcfc1
A2: 56123737bfce
output: c92fdacbf0ce931e9c4087a9dfb7bc0b

Set 11 (same as set 3 with N1 and N2 swapped and A1 and A2 swapped)

W: fb3ba2012c7e62466e486e229290175b4afebc13fdccee46
N1: a6e8e7cc25a75f6e216583f7ff3dc4cf
N2: d5cb8454d177733effffb2ec712baeab
R: 12a3343bb453bb5408da42d20c2d0fc8
IOcap: 000002
A1: a713702dcfc1
A2: 56123737bfce
output: 52ac910200dc34285bbb2144883c498

Set 12 (same as set 4 with N1 and N2 swapped and A1 and A2 swapped)

W: fb3ba2012c7e62466e486e229290175b4afebc13fdccee46
N1: a6e8e7cc25a75f6e216583f7ff3dc4cf
N2: d5cb8454d177733effffb2ec712baeab
R: 12a3343bb453bb5408da42d20c2d0fc8
IOcap: 000003
A1: a713702dcfc1
A2: 56123737bfce
output: c419d677e0d426e6bb36de5fa54c5041

Set 13 (same as set 5 with N1 and N2 swapped and A1 and A2 swapped)

W: fb3ba2012c7e62466e486e229290175b4afebc13fdccee46
N1: a6e8e7cc25a75f6e216583f7ff3dc4cf
N2: d5cb8454d177733effffb2ec712baeab
R: 12a3343bb453bb5408da42d20c2d0fc8
IOcap: 000100
A1: a713702dcfc1
A2: 56123737bfce
output: fb0e1f9f7c623c1bf2675fcff1551137

Sample Data

Set 14 (same as set 6 with N1 and N2 swapped and A1 and A2 swapped)

W: fb3ba2012c7e62466e486e229290175b4afebc13fdccee46
N1: a6e8e7cc25a75f6e216583f7ff3dc4cf
N2: d5cb8454d177733effffb2ec712baeab
R: 12a3343bb453bb5408da42d20c2d0fc8
IOcap: 000101
A1: a713702dcfc1
A2: 56123737bfce
output: 16c7be68184f1170fbbb2bef5a9c515d

Set 15 (same as set 7 with N1 and N2 swapped and A1 and A2 swapped)

W: fb3ba2012c7e62466e486e229290175b4afebc13fdccee46
N1: a6e8e7cc25a75f6e216583f7ff3dc4cf
N2: d5cb8454d177733effffb2ec712baeab
R: 12a3343bb453bb5408da42d20c2d0fc8
IOcap: 000102
A1: a713702dcfc1
A2: 56123737bfce
output: 24849f33d3ac05fef9034c18d9adb310

Set 16 (same as set 8 with N1 and N2 swapped and A1 and A2 swapped)

W: fb3ba2012c7e62466e486e229290175b4afebc13fdccee46
N1: a6e8e7cc25a75f6e216583f7ff3dc4cf
N2: d5cb8454d177733effffb2ec712baeab
R: 12a3343bb453bb5408da42d20c2d0fc8
IOcap: 000103
A1: a713702dcfc1
A2: 56123737bfce
output: e0f484bb0b071483285903e85094046b

Set 17

W: fb3ba2012c7e62466e486e229290175b4afebc13fdccee46
N1: d5cb8454d177733effffb2ec712baeab
N2: a6e8e7cc25a75f6e216583f7ff3dc4cf
R: 12a3343bb453bb5408da42d20c2d0fc8
IOcap: 010000
A1: 56123737bfce
A2: a713702dcfc1
output: 4bf22677415ed90aceb21873c71c1884

Set 18

W: fb3ba2012c7e62466e486e229290175b4afebc13fdccee46
N1: d5cb8454d177733effffb2ec712baeab
N2: a6e8e7cc25a75f6e216583f7ff3dc4cf
R: 12a3343bb453bb5408da42d20c2d0fc8
IOcap: 010001
A1: 56123737bfce
A2: a713702dcfc1
output: 0d4b97992eb570efb369cfe45e1681b5

Sample Data

Set 19

W: fb3ba2012c7e62466e486e229290175b4afebc13fdccee46
N1: d5cb8454d177733effffb2ec712baeab
N2: a6e8e7cc25a75f6e216583f7ff3dc4cf
R: 12a3343bb453bb5408da42d20c2d0fc8
IOcap: 010002
A1: 56123737bfce
A2: a713702dcfc1
output: 0f0906bbfa75e95c471e97c4211b2741

Set 20

W: fb3ba2012c7e62466e486e229290175b4afebc13fdccee46
N1: d5cb8454d177733effffb2ec712baeab
N2: a6e8e7cc25a75f6e216583f7ff3dc4cf
R: 12a3343bb453bb5408da42d20c2d0fc8
IOcap: 010003
A1: 56123737bfce
A2: a713702dcfc1
output: 88f1f60ce1ff4bf8aa08a170dd061d4e

Set 21

W: fb3ba2012c7e62466e486e229290175b4afebc13fdccee46
N1: d5cb8454d177733effffb2ec712baeab
N2: a6e8e7cc25a75f6e216583f7ff3dc4cf
R: 12a3343bb453bb5408da42d20c2d0fc8
IOcap: 010100
A1: 56123737bfce
A2: a713702dcfc1
output: 940f88f25317c358d9bd2f146778e36b

Set 22

W: fb3ba2012c7e62466e486e229290175b4afebc13fdccee46
N1: d5cb8454d177733effffb2ec712baeab
N2: a6e8e7cc25a75f6e216583f7ff3dc4cf
R: 12a3343bb453bb5408da42d20c2d0fc8
IOcap: 010101
A1: 56123737bfce
A2: a713702dcfc1
output: 591396355ac4dc72be05a15e718ec945

Sample Data

Set 23

W: fb3ba2012c7e62466e486e229290175b4afebc13fdccee46
N1: d5cb8454d177733effffb2ec712baeab
N2: a6e8e7cc25a75f6e216583f7ff3dc4cf
R: 12a3343bb453bb5408da42d20c2d0fc8
IOcap: 010102
A1: 56123737bfce
A2: a713702dcfc1
output: a3dc055f656abb1d6e11d3f37340189a

Set 24

W: fb3ba2012c7e62466e486e229290175b4afebc13fdccee46
N1: d5cb8454d177733effffb2ec712baeab
N2: a6e8e7cc25a75f6e216583f7ff3dc4cf
R: 12a3343bb453bb5408da42d20c2d0fc8
IOcap: 010103
A1: 56123737bfce
A2: a713702dcfc1
output: fd5412a22ba5dd893852608f8ab0c934

Set 25 (same as set 1 with N1 and N2 swapped and A1 and A2 swapped)

W: fb3ba2012c7e62466e486e229290175b4afebc13fdccee46
N1: a6e8e7cc25a75f6e216583f7ff3dc4cf
N2: d5cb8454d177733effffb2ec712baeab
R: 12a3343bb453bb5408da42d20c2d0fc8
IOcap: 010000
A1: a713702dcfc1
A2: 56123737bfce
output: 2a742039c5fd6c6faafce17b619ac56f

Set 26 (same as set 2 with N1 and N2 swapped and A1 and A2 swapped)

W: fb3ba2012c7e62466e486e229290175b4afebc13fdccee46
N1: a6e8e7cc25a75f6e216583f7ff3dc4cf
N2: d5cb8454d177733effffb2ec712baeab
R: 12a3343bb453bb5408da42d20c2d0fc8
IOcap: 010001
A1: a713702dcfc1
A2: 56123737bfce
output: a60d89efb52db7905179a6c63b8f212a

Set 27 (same as set 3 with N1 and N2 swapped and A1 and A2 swapped)

W: fb3ba2012c7e62466e486e229290175b4afebc13fdccee46
N1: a6e8e7cc25a75f6e216583f7ff3dc4cf
N2: d5cb8454d177733effffb2ec712baeab
R: 12a3343bb453bb5408da42d20c2d0fc8
IOcap: 010002
A1: a713702dcfc1
A2: 56123737bfce
output: cb02f803d755fd936f0a832f4ee9fd4a

Sample Data

Set 28 (same as set 4 with N1 and N2 swapped and A1 and A2 swapped)

W: fb3ba2012c7e62466e486e229290175b4afebc13fdccee46
N1: a6e8e7cc25a75f6e216583f7ff3dc4cf
N2: d5cb8454d177733effffb2ec712baeab
R: 12a3343bb453bb5408da42d20c2d0fc8
IOcap: 010003
A1: a713702dcfc1
A2: 56123737bfce
output: 00786c04a24561485aaf22808871b874

Set 29 (same as set 5 with N1 and N2 swapped and A1 and A2 swapped)

W: fb3ba2012c7e62466e486e229290175b4afebc13fdccee46
N1: a6e8e7cc25a75f6e216583f7ff3dc4cf
N2: d5cb8454d177733effffb2ec712baeab
R: 12a3343bb453bb5408da42d20c2d0fc8
IOcap: 010100
A1: a713702dcfc1
A2: 56123737bfce
output: 2a58ef2d99281d472a88027423f8215f

Set 30 (same as set 6 with N1 and N2 swapped and A1 and A2 swapped)

W: fb3ba2012c7e62466e486e229290175b4afebc13fdccee46
N1: a6e8e7cc25a75f6e216583f7ff3dc4cf
N2: d5cb8454d177733effffb2ec712baeab
R: 12a3343bb453bb5408da42d20c2d0fc8
IOcap: 010101
A1: a713702dcfc1
A2: 56123737bfce
output: ff7ab3752a144232f2cbbcbf979f5517

Set 31 (same as set 7 with N1 and N2 swapped and A1 and A2 swapped)

W: fb3ba2012c7e62466e486e229290175b4afebc13fdccee46
N1: a6e8e7cc25a75f6e216583f7ff3dc4cf
N2: d5cb8454d177733effffb2ec712baeab
R: 12a3343bb453bb5408da42d20c2d0fc8
IOcap: 010102
A1: a713702dcfc1
A2: 56123737bfce
output: 9d7fccef23625b1cc684fbf3f8b0e182

Set 32 (same as set 8 with N1 and N2 swapped and A1 and A2 swapped)

W: fb3ba2012c7e62466e486e229290175b4afebc13fdccee46
N1: a6e8e7cc25a75f6e216583f7ff3dc4cf
N2: d5cb8454d177733effffb2ec712baeab
R: 12a3343bb453bb5408da42d20c2d0fc8
IOcap: 010103
A1: a713702dcfc1
A2: 56123737bfce
output: 864f87e26dece4dfdde30ade1e463d4f

Sample Data**7.2.4.2 f3() with P-256 inputs**

Set 1

W: ec0234a357c8ad05341010a60a397d9b99796b13b4f866f1868d34f373bfa698

N1: d5cb8454d177733effffb2ec712baeab

N2: a6e8e7cc25a75f6e216583f7ff3dc4cf

R: 12a3343bb453bb5408da42d20c2d0fc8

IOcap: 000000

A1: 56123737bfce

A2: a713702dcfc1

output: 5634c83c9996a86b53473fe25979ec90

7.2.5 [This section is no longer used]**7.2.6 h4()**

Set 1a

keyID: 6274646b

A1: 56123737bfce

A2: a713702dcfc1

input: 6274646b56123737bfcea713702dcfc1

W: c234c1198f3b520186ab92a2f874934e

output: b089c4e39d7c192c3aba3c2109d24c0dc039e700adf3a263008e65a8b00fb1fa

Device Authentication Key: b089c4e39d7c192c3aba3c2109d24c0d

7.2.7 h5()

Set 1a

R1: d5cb8454d177733effffb2ec712baeab

R2: a6e8e7cc25a75f6e216583f7ff3dc4cf

input: d5cb8454d177733effffb2ec712baeaba6e8e7cc25a75f6e216583f7ff3dc4cf

W: b089c4e39d7c192c3aba3c2109d24c0d

output: 746af87e1eeb1137c683b97d9d421f911f3ddf100403871b362958c458976d65

SRES_C: 746af87e

SRES_P: 1eeb1137

ACO: c683b97d9d421f91

7.2.8 h3()

Set 1a

keyID: 6274616b

A1: 56123737bfce

A2: a713702dcfc1

ACO: c683b97d9d421f91

input: 6274616b56123737bfcea713702dcfc1c683b97d9d421f91

W: c234c1198f3b520186ab92a2f874934e

output: 677b377f74a5d501121c46492d4cb489e27fe151026ab47f271a47399c8969ff

AES Encryption key: 677b377f74a5d501121c46492d4cb489



8 WHITENING SEQUENCE SAMPLE DATA

This section shows the output of the whitening sequence generator.

Whitening Sequence (=D7)	Whitening LFSR D7.....D0
1	1111111
1	1101111
1	1001111
0	0001111
0	0011110
0	0111100
1	1111000
1	1100001
1	1010011
0	0110111
1	1101110
1	1001101
0	0001011
0	0010110
0	0101100
1	1011000
0	0100001
1	1000010
0	0010101
0	0101010
1	1010100
0	0111001
1	1110010
1	1110101
1	1111011
1	1100111
1	1011111
0	0101111
1	1011110
0	0101101
1	1011010
0	0100101
1	1001010
0	0000101
0	0001010
0	0010100
0	0101000
1	1010000
0	0110001
1	1100010
1	1010101
0	0111011
1	1110110

Sample Data

1	1111101
1	1101011
1	1000111
0	0011111
0	0111110
1	1111100
1	1101001
1	1000011
0	0010111
0	0101110
1	1011100
0	0101001
1	1010010
0	0110101
1	1101010
1	1000101
0	0011011
0	0110110
1	1101100
1	1001001
0	0000011
0	0000110
0	0001100
0	0011000
0	0110000
1	1100000
1	1010001
0	0110011
1	1100110
1	1011101
0	0101011
1	1010110
0	0111101
1	1111010
1	1100101
1	1011011
0	0100111
1	1001110
0	0001101
0	0011010
0	0110100
1	1101000
1	1000001
0	0010011
0	0100110
1	1001100
0	0001001
0	0010010
0	0100100
1	1001000
0	0000001
0	0000010

Sample Data

0	0000100
0	0001000
0	0010000
0	0100000
1	1000000
0	0010001
0	0100010
1	1000100
0	0011001
0	0110010
1	1100100
1	1011001
0	0100011
1	1000110
0	0011101
0	0111010
1	1110100
1	1111001
1	1100011
1	1010111
0	0111111
1	1111110
1	1101101
1	1001011
0	0000111
0	0001110
0	0011100
0	0111000
1	1110000
1	1110001
1	1110011
1	1110111
1	1111111



9 FEC SAMPLE DATA

```
=====
Rate 2/3 FEC -- (15,10) Shortened Hamming Code
=====
```

Data is in hexadecimal notation, the codewords are in binary notation. The codeword bits are sent from left to right over the air interface. The space in the codeword indicates the start of parity bits.

Data:	Codeword:
0x001	1000000000 11010
0x002	0100000000 01101
0x004	0010000000 11100
0x008	0001000000 01110
0x010	0000100000 00111
0x020	0000010000 11001
0x040	0000001000 10110
0x080	0000000100 01011
0x100	0000000010 11111
0x200	0000000001 10101



10 ENCRYPTION KEY SAMPLE DATA

For [Section 10.1](#) to [Section 10.5](#), the hexadecimal sample data is written with the least significant byte at the leftmost position and the most significant byte at the rightmost position. Within each byte, the *least significant bit* (LSB) is at the rightmost position and the *most significant bit* (MSB) is at the leftmost position. Thus, a line reading:

aco: 48afcdd4bd40fef76693b113

means aco[0]=0x48, ac[1]=0xAF, ..., aco[11]=0x13. The LSB of aco[11] is 1 and the MSB of aco[11] is 0.

Key [i]: denotes the ith sub-key in Ar or A'r;
 round r: denotes the input to the rth round;
 added ->: denotes the input to round 3 in A'r after adding original input (of round 1).

10.1 FOUR TESTS OF E1

```

rand      :00000000000000000000000000000000
address   :00000000000000
key       :00000000000000000000000000000000
round 1:  :00000000000000000000000000000000
Key [ 1]: :00000000000000000000000000000000
Key [ 2]: :4697b1baa3b7100ac537b3c95a28ac64
round 2:  :78d19f9307d2476a523ec7a8a026042a
Key [ 3]: :ecabaac66795580df89af66e66dc053d
Key [ 4]: :8ac3d8896ae9364943bfebd4969b68a0
round 3:  :600265247668dda0e81c07bbb30ed503
Key [ 5]: :5d57921fd5715cbb22c1be7bbc996394
Key [ 6]: :2a61b8343219fdfb1740e6511d41448f
round 4:  :d7552ef7cc9dbde568d80c2215bc4277
Key [ 7]: :dd0480dee731d67f01a2f739da6f23ca
Key [ 8]: :3ad01cd1303e12a1cd0fe0a8af82592c
round 5:  :fb06bef32b52ab8f2a4f2b6ef7f6d0cd
Key [ 9]: :7dadb2efc287ce75061302904f2e7233
Key [10]: :c08dcfa981e2c4272f6c7a9f52e11538
round 6:  :b46b711ebb3cf69e847a75f0ab884bdd
Key [11]: :fc2042c708e409555e8c147660ffdfd7
Key [12]: :fa0b21001af9a6b9e89e624cd99150d2
round 7:  :c585f308ff19404294f06b292e978994
Key [13]: :18b40784ea5ba4c80ecb48694b4e9c35
Key [14]: :454d54e5253c0c4a8b3fccca7db6baef4
round 8:  :2665fadfb13acf952bf74b4ab12264b9f
Key [15]: :2df37c6d9db52674f29353b0f011ed83
Key [16]: :b60316733b1e8e70bd861b477e2456f1
Key [17]: :884697b1baa3b7100ac537b3c95a28ac
round 1:  :158ffe43352085e8a5ec7a88e1ff2ba8
Key [ 1]: :e9e5dfc1b3a79583e9e5dfc1b3a79583
    
```

Sample Data



```

Key [ 2]:7595bf57e0632c59f435c16697d4c864
round 2:0b5cc75febcd7827ca29ec0901b6b5b
Key [ 3]:e31b96afcc75d286ef0ae257cbbc05b7
Key [ 4]:0d2a27b471bc0108c6263aff9d9b3b6b
round 3:e4278526c8429211f7f2f0016220aef4
added ->:f1b68365fd6217f952de6a89831fd95c
Key [ 5]:98d1eb5773cf59d75d3b17b3bc37c191
Key [ 6]:fd2b79282408ddd4ea0aa7511133336f
round 4:d0304ad18337f86040145d27aa5c8153
Key [ 7]:331227756638a41d57b0f7e071ee2a98
Key [ 8]:aa0dd8cc68b406533d0f1d64aabacf20
round 5:84db909d213bb0172b8b6aaf71bf1472
Key [ 9]:669291b0752e63f806fce76f10e119c8
Key [10]:ef8bdd46be8ee0277e9b78adef1ec154
round 6:f835f52921e903dfa762f1df5abd7f95
Key [11]:f3902eb06dc409cfd78384624964bf51
Key [12]:7d72702b21f97984a721c99b0498239d
round 7:ae6c0b4bb09f25c6a5d9788a31b605d1
Key [13]:532e60bceaf902c52a06c2c283ecfa32
Key [14]:181715e5192efb2a64129668cf5d9dd4
round 8:744a6235b86cc0b853cc9f74f6b65311
Key [15]:83017c1434342d4290e961578790f451
Key [16]:2603532f365604646ff65803795ccce5
Key [17]:882f7c907b565ea58dae1c928a0dcf41
sres      :056c0fe6
aco       :48afcd4bd40fef76693b113
-----
rand      :bc3f30689647c8d7c5a03ca80a91eceb
address   :7ca89b233c2d
key       :159dd9f43fc3d328efba0cd8a861fa57
round 1:bc3f30689647c8d7c5a03ca80a91eceb
Key [ 1]:159dd9f43fc3d328efba0cd8a861fa57
Key [ 2]:326558b3c15551899a97790e65ff669e
round 2:3e950edf197615638cc19c09f8fedc9b
Key [ 3]:62e879b65b9f53bbfbfd020c624b1d682
Key [ 4]:73415f30bac8ab61f410adc9442992db
round 3:6a7640791cb536678936c5ecd4ae5a73
Key [ 5]:5093cfa1d31c1c48acd76df030ea3c31
Key [ 6]:0b4acc2b8f1f694fc7bd91f4a70f3009
round 4:fca2c022a577e2ffb2aa007589693ec7
Key [ 7]:2ca43fc817947804ecff148d50d6f6c6
Key [ 8]:3fcd73524b533e00b7f7825bea2040a4
round 5:e97f8ea4ed1a6f4a36ffc179dc6bb563
Key [ 9]:6c67bec76ae8c8cc4d289f69436d3506
Key [10]:95ed95ee8cb97e61d75848464bffb379
round 6:38b07261d7340d028749de1773a415c7
Key [11]:ff566c1fc6b9da9ac502514550f3e9d2
Key [12]:ab5ce3f5c887d0f49b87e0d380e12f47
round 7:58241f1aed7c1c3e047d724331a0b774
Key [13]:a2cab6f95eac7d655dbe84a6cd4c47f5
Key [14]:f5caff88af0af8c42a20b5bbd2c8b460
round 8:3d1aaeff53c0910de63b9788b13c490f
    
```

Sample Data



```

Key [15]:185099c1131cf97001e2f36fda415025
Key [16]:a0ebb82676bc75e8378b189eff3f6b1d
Key [17]:cf5b348aaee27ae332b4f1bfa10289a6
round 1:2e4b417b9a2a9cfd7d8417d9a6a556eb
Key [ 1]:fe78b835f26468ab069fd3991b086fda
Key [ 2]:095c5a51c6fa6d3ac1d57fa19aa382bd
round 2:b8bca81d6bb45af9d92beadd9300f5ed
Key [ 3]:1af866df817fd9f4ec00bc704192cffc
Key [ 4]:f4a8a059c1f575f076f5fbb24bf16590
round 3:351aa16dec2c3a4787080249ed323eae
added ->:1b65e2167656d6bafa8c19904bd79445
Key [ 5]:8c9d18d9356a9954d341b4286e88ealf
Key [ 6]:5c958d370102c9881bf753e69c7da029
round 4:2ce8fef47dda6a5bee74372e33e478a2
Key [ 7]:7eb2985c3697429fbe0da334bb51f795
Key [ 8]:af900f4b63a1138e2874bfb7c628b7b8
round 5:572787f563e1643c1c862b7555637fb4
Key [ 9]:834c8588dd8f3d4f31117a488420d69b
Key [10]:bc2b9b81c15d9a80262f3f48e9045895
round 6:16b4968c5d02853c3a43aa4cdb5f26ac
Key [11]:f08608c9e39ad3147cba61327919c958
Key [12]:2d4131decf4fa3a959084714a9e85c11
round 7:10e4120c7cccef9dd4ba4e6da8571b01
Key [13]:c934fd319c4a2b5361fa8eef05ae9572
Key [14]:4904c17aa47868e40471007cde3a97c0
round 8:f9081772498fed41b6ffd72b71fcf6c6
Key [15]:ea5e28687e97fa3f833401c86e6053ef
Key [16]:1168f58252c4ecfccaafb3af857b9f2
Key [17]:b3440f69ef951b78b5cbd6866275301b
sres      :8d5205c5
aco       :3ed75df4abd9af638d144e94
-----
rand      :0891caee063f5da1809577ff94ccdcfb
address   :c62f19f6ce98
key       :45298d06e46bac21421ddfbed94c032b
round 1:0891caee063f5da1809577ff94ccdcfb
Key [ 1]:45298d06e46bac21421ddfbed94c032b
Key [ 2]:8f03e1e1fe1c191cad35a897bc400597
round 2:1c6ca013480a685c1b28e0317f7167e1
Key [ 3]:4f2ce3a092dde854ef496c8126a69e8e
Key [ 4]:968caee2ac6d7008c07283daec67f2f2
round 3:06b4915f5fcc1fc551a52048f0af8a26
Key [ 5]:ab0d5c31f94259a6bf85ee2d2edf56c
Key [ 6]:dfb74855c0085ce73dc17b84bfd50a92
round 4:077a92b040acc86e6e0a877db197a167
Key [ 7]:8f888952662b3db00d4e904e7ea53b5d
Key [ 8]:5e18bfcc07799b0132db88cd6042f599
round 5:7204881fb300914825fdc863e8ceadf3
Key [ 9]:bfca91ad9bd3d1a06c582b1d5512ddd
Key [10]:a88bc477e3fa1d5a59b5e6cf793c7a41
round 6:27031131d86cea2d747deb4f756143aa
Key [11]:f3cfb8dac8aea2a6a8ef95af3a2a2767
    
```

Sample Data



```

Key [12]:77beb90670c5300b03aa2b2232d3d40c
round 7:fc8c13d49149b1ce8d86f96e44a00065
Key [13]:b578373650af36a06e19fe335d726d32
Key [14]:6bcee918c7d0d24dfdf42237fcf99d53
round 8:04ef5f5a7ddf846cda0a07782fc23866
Key [15]:399f158241eb3e079f45d7b96490e7ea
Key [16]:1bcfbe98ecde2add52aa63ea79fb917a
Key [17]:ee8bc03ec08722bc2b075492873374af
round 1:d989d7a40cde7032d17b52f8117b69d5
Key [ 1]:2ecc6cc797cc41a2ab02007f6af396ae
Key [ 2]:acfaef7609c12567d537ae1cf9dc2198
round 2:8e76eb9a29b2ad5eea790db97aee37c1
Key [ 3]:079c8ff9b73d428df879906a0b87a6c8
Key [ 4]:19f2710baf403a494193d201f3a8c439
round 3:346bb7c35b2539676375aafe3af69089
added ->:edf48e675703a955b2f0fc062b71f95c
Key [ 5]:d623a6498f915cb2c8002765247b2f5a
Key [ 6]:900109093319bc30108b3d9434a77a72
round 4:fafb6c1f3ebbd2477be2da49dd923f69
Key [ 7]:e28e2ee6e72e7f4e5b5c11f10d204228
Key [ 8]:8e455cd11f8b9073a2dfa5413c7a4bc5
round 5:7c72230df588060a3cf920f9b0a08f06
Key [ 9]:28afb26e2c7a64238c41cefc16c53e74
Key [10]:d08dcafc2096395ba0d2ddd0e471f4d
round 6:55991df991db26ff00073a12baa3031d
Key [11]:fcffdcc3ad8faae091a7055b934f87c1
Key [12]:f8df082d77060252c02d91e55bd6a7d6
round 7:70ec682ff864375f63701fa4f6be5377
Key [13]:bef3706e523d708e8a44147d7508bc35
Key [14]:3e98ab283ca2422d56a56cf8b06caeb3
round 8:172f12ec933da85504b4ea5c90f8f0ea
Key [15]:87ad9625d06645d22598dd5ef811ea2c
Key [16]:8bd3db0cc8168009e5da90877e13a36f
Key [17]:0e74631d813a8351ac7039b348c41b42
sres :00507e5f
aco :2a5f19fbf60907e69f39ca9f
-----
rand :0ecd61782b4128480c05dc45542b1b8c
address :f428f0e624b3
key :35949a914225fabad91995d226de1d92
round 1:0ecd61782b4128480c05dc45542b1b8c
Key [ 1]:35949a914225fabad91995d226de1d92
Key [ 2]:ea6b3dcccc8ee5d88de349fa5010404f
round 2:8935e2e263fbc4b9302cabdfc06bce3e
Key [ 3]:920f3a0f2543ce535d4e7f25ad80648a
Key [ 4]:ad47227edf9c6874e80ba80ebb95d2c9
round 3:b4c8b878675f184a0c72f3dab51f8f05
Key [ 5]:81a941ca7202b5e884ae8fa493ecac3d
Key [ 6]:bcde1520bee3660e86ce2f0fb78b9157
round 4:77ced9f2fc42bdd5c6312b87fc2377c5
Key [ 7]:c8eee7423d7c6efa75ecec0d2cd969d3
Key [ 8]:910b3f838a02ed441f8e863a02b4a1d0
    
```

Sample Data

```
round 5:fe28e8056f3004d60bb207e628b39cf2
Key [ 9]:56c647c1e865eb078348962ae070972d
Key [10]:883965da77ca5812d8104e2b640aec0d
round 6:1f2ba92259d9e88101518f145a33840f
Key [11]:61d4cb7e4f8868a283327806a9bd8d4d
Key [12]:9f57de3a3ff310e21dc1e696ce060304
round 7:cc9b5d0218d29037e88475152ebbb2f
Key [13]:7aa1d8adc1aeed7127ef9a18f6eb2d8e
Key [14]:b4db9da3bf865912acd14904c7f7785d
round 8:b04d352bedc02682e4a7f59d7cda1dba
Key [15]:a13d7141ef1f6c7d867e3d175467381b
Key [16]:08b2bc058e50d6141cdd566a307e1acc
Key [17]:057b2b4b4be5dc0ac49e50489b8006c9
round 1:5cfacc773bae995cd7f1b81e7c9ec7df
Key [ 1]:1e717950f5828f3930fe4a9395858815
Key [ 2]:d1623369b733d98bbc894f75866c544c
round 2:d571ffa21d9daa797b1a0a3c962fc64c
Key [ 3]:4abf27664ae364cc8a7e5bcf88214cc4
Key [ 4]:2aaedda8dc4933dd6aeaf6e5c0d5a482
round 3:e17c8e498a00f125bf654c938c23f36d
added ->:bd765a3eb1ae8a796856048df0c1bab2
Key [ 5]:bc7f8ab2d86000f47b1946cc8d7a7a2b
Key [ 6]:6b28544cb13ec6c5d98470df2cf900b7
round 4:a9727c26f2f06bd9920e83c8605dcd76
Key [ 7]:1be840d9107f2c9523f66bb19f5464a1
Key [ 8]:61d6fb1aa2f0c2b26fb2a3d6de8c177c
round 5:aef751f146eab7e4626b2e2c9e2fb39
Key [ 9]:adabfc82570c568a233173099f23f4c2
Key [10]:b7df6b55ad266c0f1ff7452101f59101
round 6:cf412b95f454d5185e67ca671892e5bd
Key [11]:8e04a7282a2950dcbaea28f300e22de3
Key [12]:21362c114433e29bda3e4d51f803b0cf
round 7:16165722fe4e07ef88f8056b17d89567
Key [13]:710c8fd5bb3cbb5f132a7061de518bd9
Key [14]:0791de7334f4c87285809343f3ead3bd
round 8:28854cd6ad4a3c572b15490d4b81bc3f
Key [15]:4f47f0e5629a674bfcd13770eb3a3bd9
Key [16]:58a6d9a16a284cc0aead2126c79608a1
Key [17]:a564082a0a98399f43f535fd5cefad34
sres :80e5629c
aco :a6fe4dcde3924611d3cc6ba1
```

Sample Data



10.2 FOUR TESTS OF E21

```

rand      :00000000000000000000000000000000
address   :000000000000
round    1:00000000000000000000000000000000
Key [ 1]:00000000000000000000000000000000
Key [ 2]:4697b1baa3b7100ac537b3c95a28dc94
round    2:98611307ab76bbde9a86af1ce8cad412
Key [ 3]:ecabaac66795580df89af66e665d863d
Key [ 4]:8ac3d8896ae9364943bfebd4a2a768a0
round    3:820999ad2e6618f4b578974beedf9e7
added ->:820999ad2e6618f4b578974beedf9e7
Key [ 5]:5d57921fd5715cbb22c1bedb1c996394
Key [ 6]:2a61b8343219fdfb1740e9541d41448f
round    4:acd6edec87581ac22dbdc64ea4ced3a2
Key [ 7]:dd0480dee731d67f01ba0f39da6f23ca
Key [ 8]:3ad01cd1303e12a18dcfe0a8af82592c
round    5:1c7798732f09fbfe25795a4a2fbc93c2
Key [ 9]:7dadb2efc287ce7b0c1302904f2e7233
Key [10]:c08dcfa981e2f4572f6c7a9f52e11538
round    6:c05b88b56aa70e9c40c79bb81cd911bd
Key [11]:fc2042c708658a555e8c147660ffdfd7
Key [12]:fa0b21002605a6b9e89e624cd99150d2
round    7:abacc71b481c84c798d1bdf3d62f7e20
Key [13]:18b407e44a5ba4c80ecb48694b4e9c35
Key [14]:454d57e8253c0c4a8b3fccca7db6baef4
round    8:e8204e1183ae85cf19edb2c86215b700
Key [15]:2d0b946d9db52674f29353b0f011ed83
Key [16]:76c316733b1e8e70bd861b477e2456f1
Key [17]:8e4697b1baa3b7100ac537b3c95a28ac
Ka       :d14ca028545ec262cee700e39b5c39ee
-----
rand      :2dd9a550343191304013b2d7e1189d09
address   :cac4364303b6
round    1:cac4364303b6cac4364303b6cac43643
Key [ 1]:2dd9a550343191304013b2d7e1189d0f
Key [ 2]:14c4335b2c43910c5dcc71d81a14242b
round    2:e169f788aad45a9011f11db5270b1277
Key [ 3]:55bfb712cba168d1a48f6e74cd9f4388
Key [ 4]:2a2b3aacca695caef2821b0fb48cc253
round    3:540f9c76652e92c44987c617035037bf
added ->:9ed3d23566e45c007fcac9a1c9146dfc
Key [ 5]:a06aab22d9a287384042976b4b6b00ee
Key [ 6]:c229d054bb72e8eb230e6dcdb32d16b7
round    4:83659a41675f7171ea57909dc5a79ab4
Key [ 7]:23c4812ab1905ddf77dedaed4105649a
Key [ 8]:40d87e272a7a1554ae2e85e3638cdf52
round    5:0b9382d0ed4f2fccdbb69d0db7b130a4
Key [ 9]:bdc064c6a39f6b84fe40db359f62a3c4
Key [10]:58228db841ce3cee983aa721f36aa1b9
round    6:c6ebda0f8f489792f09c189568226c1f
Key [11]:a815bacd6fa747a0d4f52883ac63ebe7
    
```

Sample Data



```

Key [12]:a9ce513b38ea006c333ecaaefcf1d0f8
round 7:75a8aba07e69c9065bcd831c40115116
Key [13]:3635e074792d4122130e5b824e52cd60
Key [14]:511bdb61bb28de72a5d794bfbfbf407df
round 8:57a6e279dcb764cf7dd6a749dd60c735
Key [15]:a32f5f21044b6744b6d913b13cdb4c0a
Key [16]:9722bbaeef281496ef8c23a9d41e92f4
Key [17]:807370560ad7e8a13a054a65a03b4049
Ka      :e62f8bac609139b3999aedbc9d228042
-----
rand   :dab3cffe9d5739d1b7bf4a667ae5ee24
address :02f8fd4cd661
round 1:02f8fd4cd66102f8fd4cd66102f8fd4c
Key [ 1]:dab3cffe9d5739d1b7bf4a667ae5ee22
Key [ 2]:e315a8a65d809ec7c289e69c899fbdcc
round 2:ef85ff081b8709405e19f3e275cec7dc
Key [ 3]:df6a119bb50945fc8a3394e7216448f3
Key [ 4]:87fe86fb0d58b5dd0fb3b6bdab51d07
round 3:aa25c21bf577d92dd97381e3e9edcc54
added ->:a81dbf5723d8dbd524bf5782ebe5c918
Key [ 5]:36cc253c506c0021c91fac9d8c469e90
Key [ 6]:d5fda00f113e303809b7f7d78a1a2b0e
round 4:9e69ce9b53caec3990894d2baed41e0d
Key [ 7]:c14b5edc10cabf16bc2a2ba4a8ae1e40
Key [ 8]:74c6131afc8dce7e11b03b1ea8610c16
round 5:a5460fa8cedca48a14fd02209e01f02e
Key [ 9]:346cfc553c6cbc9713edb55f4dcbc96c
Key [10]:bddf027cb059d58f0509f8963e9bdec6
round 6:92b33f11eadcacc5a43dd05f13d334dd
Key [11]:8eb9e040c36c4c0b4a7fd3dd354d53c4
Key [12]:c6ffecdd5e135b20879b9dfa4b34bf51
round 7:fb0541aa5e5df1a61c51aef606eb5a41
Key [13]:bf12f5a6ba08dfc4fda4bdfc68c997d9
Key [14]:37c4656b9215f3c959ea688fb64ad327
round 8:f0bbd2b94ae374346730581fc77a9c98
Key [15]:e87bb0d86bf421ea4f779a8eee3a866c
Key [16]:faa471e934fd415ae4c0113ec7f0a5ad
Key [17]:95204a80b8400e49db7cf6fd2fd40d9a
Ka      :b0376d0a9b338c2e133c32b69cb816b3
-----
rand   :13ecad08ad63c37f8a54dc56e82f4dc1
address :9846c5ead4d9
round 1:9846c5ead4d99846c5ead4d99846c5ea
Key [ 1]:13ecad08ad63c37f8a54dc56e82f4dc7
Key [ 2]:ad04f127bed50b5e671d6510d392eaed
round 2:97374e18cdd0a6f7a5aa49d1ac875c84
Key [ 3]:57ad159e5774fa222f2f3039b9cd5101
Key [ 4]:9a1e9e1068fede02ef90496e25fd8e79
round 3:9dd3260373edd9d5f4e774826b88fd2d
added ->:0519ebe9a7c6719331d1485bf3cec2c7
Key [ 5]:378dce167db62920b0b392f7cfca316e
Key [ 6]:db4277795c87286faee6c9e9a6b71a93
    
```

Sample Data

```
round 4:40ec6563450299ac4e120d88672504d6
Key [ 7]:ec01aa2f5a8a793b36c1bb858d254380
Key [ 8]:2921a66cfa5bf74ac535424564830e98
round 5:57287bbb041bd6a56c2bd931ed410cd4
Key [ 9]:07018e45aab61b3c3726ee3d57dbd5f6
Key [10]:627381f0fa4c02b0c7d3e7dfbffc3333
round 6:66affa66a8dcd36e36bf6c3f1c6a276e
Key [11]:33b57c925bd5551999f716e138efbe79
Key [12]:a6dc7f9aa95bcc9243aebd12608f657a
round 7:450e65184fd8c72c578d5cdec286743
Key [13]:a6a6db00fd8c72a28ea57ea542f6e102
Key [14]:dcf3377daeb2e24e61f0ad6620951c1f
round 8:e5eb180b519a4e673f21b7c4f4573f3d
Key [15]:621240b9506b462a7fa250da41844626
Key [16]:ae297810f01f43dc35756cd119ee73d6
Key [17]:b959835ec2501ad3894f8b8f1f4257f9
Ka      :5b61e83ad04d23e9d1c698851fa30447
```




10.3 THREE TESTS OF E22

(for K_{temp} and overlay generation)

```

rand      :001de169248850245a5f7cc7f0d6d633
PIN       :d5a51083a04a1971f18649ea8b79311a
round 1: 001de169248850245a5f7cc7f0d6d623
Key [ 1]: d5a51083a04a1971f18649ea8b79311a
Key [ 2]: 7317cdbff57f9b99f9810a2525b17cc7
round 2: 5f05c143347b59acae3cb002db23830f
Key [ 3]: f08bd258adf1d4ae4a54d8ccb26220b2
Key [ 4]: 91046cbb4ccc43db18d6dd36ca7313eb
round 3: c8f3e3300541a25b6ac5a80c3105f3c4
added ->: c810c45921c9f27f302424cbc1dbc9e7
Key [ 5]: 67fb2336f4d9f069da58d11c82f6bd95
Key [ 6]: 4fed702c75bd72c0d3d8f38707134c50
round 4: bd5e0c3a97fa55b91a3bbbf306ebb978
Key [ 7]: 41c947f80cdc0464c50aa89070af314c
Key [ 8]: 680eecfa8daf41c7109c9a5cb1f26d75
round 5: 21c1a762c3cc33e75ce8976a73983087
Key [ 9]: 6e33fbd94d00ff8f72e8a7a0d2cebc4c
Key [10]: f4d726054c6b948add99fabb5733ddc3
round 6: 56d0df484345582f6b574a449ba155eb
Key [11]: 4eda2425546a24cac790f49ef2453b53
Key [12]: cf2213624ed1510408a5a3e00b7333df
round 7: 120cf9963fe9ff22993f7fdf9600d9b8
Key [13]: d04b1a25b0b8fec946d5ecfa626d04c9
Key [14]: 01e5611b0f0e140bdb64585fd3ae5269
round 8: a6337400ad8cb47fefb91332f5cb2713
Key [15]: f15b2dc433f534f61bf718770a3698b1
Key [16]: f990d0273d8ea2b9e0b45917a781c720
Key [17]: f41b3cc13d4301297bb6bdfcb3e5a1dd
Ka        : 539e4f2732e5ae2de1e0401f0813bd0d
-----
rand      :67ed56bfcf99825f0c6b349369da30ab
PIN       :7885b515e84b1f082cc499976f1725ce
round 1: 67ed56bfcf99825f0c6b349369da30bb
Key [ 1]: 7885b515e84b1f082cc499976f1725ce
Key [ 2]: 72445901fdaf506beb036f4412512248
round 2: 6b160b66a1f6c26c1f3432f463ef5aa1
Key [ 3]: 59f0e4982e97633e5e7fd133af8f2c5b
Key [ 4]: b4946ec77a41bf7c729d191e33d458ab
round 3: 3f22046c964c3e5ca2a26ec9a76a9f67
added ->: 580f5ad359e5c003ae0da25ace44cfdc
Key [ 5]: eb0b839f97bdf534183210678520bbeef
Key [ 6]: cff0bc4a94e5c8b2a2d24d9f59031e19
round 4: 87aa61fc0ff88e744c195249b9a33632
Key [ 7]: 592430f14d8f93db95dd691af045776d
Key [ 8]: 3b55b404222bf445a6a2ef5865247695
round 5: 83dcf592a854226c4dcd94e1ecf1bc75
Key [ 9]: a9714b86319ef343a28b87456416bd52
Key [10]: e6598b24390b3a0bf2982747993b0d78
    
```

Sample Data



```

round 6:dee0d13a52e96bcf7c72045a21609fc6
Key [11]:62051d8c51973073bff959b032c6e1e2
Key [12]:29e94f4ab73296c453c833e217a1a85b
round 7:08488005761e6c7c4dbb203ae453fe3a
Key [13]:0e255970b3e2fc235f59fc5acb10e8ce
Key [14]:d0dfbb3361fee6d4ffe45babf1cd7abf
round 8:0d81e89bddde7a7065316c47574feb8f
Key [15]:c12eee4eb38b7a171f0f736003774b40
Key [16]:8f962523f1c0abd9a087a0dfb11643d3
Key [17]:24be1c66cf8b022f12f1fb4c60c93fd1
Ka      :04435771e03a9daceb8bb1a493ee9bd8
    
```

```

-----
rand    :40a94509238664f244ff8e3d13b119d3
PIN     :1ce44839badde30396d03c4c36f23006
round 1:40a94509238664f244ff8e3d13b119c3
Key [ 1]:1ce44839badde30396d03c4c36f23006
Key [ 2]:6dd97a8f91d628be4b18157af1a9dcba
round 2:0eac5288057d9947a24eabc1744c4582
Key [ 3]:fef9583d5f55fd4107ad832a725db744
Key [ 4]:fc3893507016d7c1db2bd034a230a069
round 3:60b424f1082b0cc3bd61be7b4c0155f0
added ->:205d69f82bb17031f9604c465fb26e33
Key [ 5]:0834d04f3e7e1f7f85f0c1db685ab118
Key [ 6]:1852397f9a3723169058e9b62bb3682b
round 4:2c6b65a49d66af6566675afdd6fa7d7d
Key [ 7]:6c10da21d762ae4ac1ba22a96d9007b4
Key [ 8]:9aa23658b90470a78d686344b8a9b0e7
round 5:a2c537899665113a42f1ac24773bdc31
Key [ 9]:137dee3bf879fe7bd02fe6d888e84f16
Key [10]:466e315a1863f47d0f93bc6827cf3450
round 6:e26982980d79b21ed3e20f8c3e71ba96
Key [11]:0b33cf831465bb5c979e6224d7f79f7c
Key [12]:92770660268ede827810d707a0977d73
round 7:e7b063c4e2e3110b89b7e1631c762dd5
Key [13]:7be30ae4961cf24ca17625a77bb7a9f8
Key [14]:be65574a33ae30e6e82dbd2826d3cc1a
round 8:7a963e37b2c2e76b489cfe40a2cf00e5
Key [15]:ed0ba7dd30d60a5e69225f0a33011e5b
Key [16]:765c990f4445e52b39e6ed6105ad1c4f
Key [17]:52627bf9f35d94f30d5b07ef15901adc
Ka      :9cde4b60f9b5861ed9df80858bac6f7f
    
```



10.4 TESTS OF E22 WITH PIN AUGMENTING

for PIN lengths 1,...,16 bytes

```

rand      :24b101fd56117d42c0545a4247357048
PIN length =16 octets
PIN       :fd397c7f5c1f937cdf82d8816cc377e2
round 1:24b101fd56117d42c0545a4247357058
Key [ 1]:fd397c7f5c1f937cdf82d8816cc377e2
Key [ 2]:0f7aac9c9b53f308d9fdbf2c78e3c30e
round 2:838edfe1226266953caba8379d873107
Key [ 3]:0b8ac18d4bb44fad2efa115e43945abc
Key [ 4]:887b16b062a83bfa469772c25b456312
round 3:8cd0c9283120aba89a7f9d635dd4fe3f
added ->:a881cad5673128ea5ad3f7211a096e67
Key [ 5]:2248cbe6d299e9d3e8fd35a91178f65b
Key [ 6]:b92af6237385bd31f8fb57fb1bdd824e
round 4:2648d9c618a622b10ef80c4dbaf68b99
Key [ 7]:2bf5ffe84a37878ede2d4c30be60203b
Key [ 8]:c9cb6cec60cb8a8f29b99fcf3e71e40f
round 5:b5a7d9e96f68b14cceb361de3914d0f
Key [ 9]:5c2f8a702e4a45575b103b0cce8a91c6
Key [10]:d453db0c9f9d9bd11e355d9a34d9b11b
round 6:632a091e7eefe1336857ddafdlff3265
Key [11]:32805db7e59c5ed4acabf38d27e3fece
Key [12]:fde3a8eedfa3a12be09c1a8a00890fd7
round 7:048531e9fd3efa95910540150f8b137b
Key [13]:def07eb23f3a378f059039a2124bc4c2
Key [14]:2608c58f23d84a09b9ce95e5caac1ab4
round 8:461814ec7439d412d0732f0a6f799a6a
Key [15]:0a7ed16481a623e56ee1442ffa74f334
Key [16]:12add59aca0d19532f1516979954e369
Key [17]:dd43d02d39ffd6a386a4b98b4ac6eb23
Ka        :a5f2adf328e4e6a2b42f19c8b74ba884
-----
rand      :321964061ac49a436f9fb9824ac63f8b
PIN length =15 octets
PIN       :ad955d58b6b8857820ac1262d617a6
address   :0314c0642543
round 1:321964061ac49a436f9fb9824ac63f9b
Key [ 1]:ad955d58b6b8857820ac1262d617a603
Key [ 2]:f281736f68e3d30b2ac7c67f125dc416
round 2:7c4a4ece1398681f4bafd309328b7770
Key [ 3]:43c157f4c8b360387c32ab330f9c9aa8
Key [ 4]:3a3049945a298f6d076c19219c47c3cb
round 3:9672b00738bdfaf9bd92a855bc6f3afb
added ->:a48b1401228194bad23161d7f6357960
Key [ 5]:c8e2eaa6d73b7de18f3228ab2173bc69
Key [ 6]:8623f44488222e66a293677cf30bf2bb
round 4:9b30247aad3bf133712d034b46d21c68
Key [ 7]:f3e500902fba31db9bae50ef30e484a4
Key [ 8]:49d4b1137c18f4752dd9955a5a8d2f43

```

Sample Data



```

round 5:4492c25fda08083a768b4b5588966b23
Key [ 9]:9d59c451989e74785cc097eda7e42ab8
Key [10]:251de25f3917dcd99c18646107a641fb
round 6:21ae346635714d2623041f269978c0ee
Key [11]:80b8f78cb1a49ec0c3e32a238e60fddf
Key [12]:beb84f4d20a501e4a24ecfbde481902b
round 7:9b56a3d0f8932f20c6a77a229514fb00
Key [13]:852571b44f35fd9d9336d3c1d2506656
Key [14]:d0a0d510fb06ba76e69b8ee3ebc1b725
round 8:6cd8492b2fd31a86978bcd644eb08a8
Key [15]:c7ffd523f32a874ed4a93430a25976de
Key [16]:16cdcb25e62964876d951fdcc07030d3
Key [17]:def32c0e12596f9582e5e3c52b303f52
Ka      :c0ec1a5694e2b48d54297911e6c98b8f
-----
rand    :d4ae20c80094547d7051931b5cc2a8d6
PIN length =14 octets
PIN     :e1232e2c5f3b833b3309088a87b6
address :fabecc58e609
round 1:d4ae20c80094547d7051931b5cc2a8c6
Key [ 1]:e1232e2c5f3b833b3309088a87b6fabe
Key [ 2]:5f0812b47cd3e9a30d7707050fffa1f2
round 2:1f45f16be89794bef33e4547c9c0916a
Key [ 3]:77b681944763244ffa3cd71b248b79b5
Key [ 4]:e2814e90e04f485958ce58c9133e2be6
round 3:b10d2f4ac941035263cee3552d774d2f
added ->:65bb4f82c9d5572f131f764e7139f5e9
Key [ 5]:520acad20801dc639a2c6d66d9b79576
Key [ 6]:c72255cdb61d42be72bd45390dd25ba5
round 4:ead4dc34207b6ea721c62166e155aaad
Key [ 7]:ebf04c02075bf459ec9c3ec06627d347
Key [ 8]:a1363dd2812ee800a4491c0c74074493
round 5:f507944f3018e20586d81d7f326aae9d
Key [ 9]:b0b6ba79493dc833d7f425be7b8dad6
Key [10]:08cd23e536b9b9b53e85eb004cba3111
round 6:fff450f4302a2b3571e8405e148346da
Key [11]:fec22374c6937dcd26171f4d2edfada3
Key [12]:0f1a8ef5979c69fff44f620c2e007b6e4
round 7:de558779589897f3402a90ee78c3f921
Key [13]:901fb66f0779d6aad0c0fba1fe812cb5
Key [14]:a0cab3cd15cd23603adc8d4474efb239
round 8:b2df0aa0c9f07fbbaa02f510a29cf540
Key [15]:18edc3f4296dd6f1dea13f7c143117a1
Key [16]:8d3d52d700a379d72ded81687f7546c7
Key [17]:5927badfe602f29345f840bb53e1dea6
Ka      :d7b39be13e3692c65b4a9e17a9c55e17
-----
rand    :272b73a2e40db52a6a61c6520549794a
PIN length =13 octets
PIN     :549f2694f353f5145772d8ae1e
address :20487681eb9f
round 1:272b73a2e40db52a6a61c6520549795a
    
```

Sample Data



```

Key [ 1]:549f2694f353f5145772d8ae1e204876
Key [ 2]:42c855593d66b0c458fd28b95b6a55fbf
round 2:d7276dc8073f7677c31f855bde9501e2
Key [ 3]:75d0a69ae49a2da92e457d767879df52
Key [ 4]:b3aa7e7492971afaa0fb2b64827110df
round 3:71aae503831133d19bc452da4d0e409b
added ->:56d558a1671ee8fbf12518884857b9c1
Key [ 5]:9c8cf1604a98e9a503c342e272de5cf6
Key [ 6]:d35bc2df6b85540a27642106471057d9
round 4:f41a709c89ea80481aa3d2b9b2a9f8ca
Key [ 7]:b454dda74aeb4eff227ba48a58077599
Key [ 8]:bcba6aec050116aa9b7c6a9b7314d796
round 5:20fdda20f4a26b1bd38eb7f355a7be87
Key [ 9]:d41f8a9de0a716eb7167a1b6e321c528
Key [10]:5353449982247782d168ab43f17bc4d8
round 6:a70e316997eed49a5a9ef9ba5e913b5
Key [11]:32cbc9cf1a81e36a45153972347ce4ac
Key [12]:5747619006cf4ef834c749f2c4b9feb6
round 7:e66f2317a825f589f76b47b6aa6e73fb
Key [13]:f9b68beba0a09d2a570a7dc88cc3c3c2
Key [14]:55718f9a4f0b1f9484e8c6b186a41a4b
round 8:5f68f940440a9798e074776019804ada
Key [15]:4ecc29be1b4d78433f6aa30db974a7fb
Key [16]:8470a066ffb00cda7b08059599f919f5
Key [17]:f39a36d74e960a051e1ca98b777848f4
Ka      :9ac64309a37c25c3b4a584fc002a1618
-----
rand    :7edb65f01a2f45a2bc9b24fb3390667e
PIN length =12 octets
PIN     :2e5a42797958557b23447ca8
address :04f0d2737f02
round 1:7edb65f01a2f45a2bc9b24fb3390666e
Key [ 1]:2e5a42797958557b23447ca804f0d273
Key [ 2]:18a97c856561eb23e71af8e9e1be4799
round 2:3436e12db8ffdc1265cb5a86da2fed0b
Key [ 3]:7c0908dcbc73201e17c4f7aa1ab8aec8
Key [ 4]:7cb58833602fbc4194c7cc797ce8c454
round 3:caed6af4226f67e4ad1914620803ef2a
added ->:b4c8cf04389eac4611b438993b935544
Key [ 5]:f4dce7d607b5234562d0ebb2267b08b8
Key [ 6]:560b75c5545751fd8fa99fa4346e654b
round 4:ee67c87d6f74bb75db98f68bfff0192c1
Key [ 7]:32f10cefd8d3e6424c6f91f1437808af
Key [ 8]:a934a46045be30fb3be3a5f3f7b18837
round 5:792398dcbcb8d10bdb07ae3c819e943c
Key [ 9]:a0f12e97c677a0e8ac415cd2c8a7ca88
Key [10]:e27014c908785f5ca03e8c6a1da3bf13
round 6:e778b6e0c3e8e7edf90861c7916d97a8
Key [11]:1b4a4303bcc0b2e0f41c72d47654bd9f
Key [12]:4b1302a50046026d6c9054fc8387965a
round 7:1fafddc7efa5f04c1dec1869d3f2d9bb
Key [13]:58c334bb543d49eca562cdbe0280e0fc
    
```

Sample Data



```

Key [14]:bdb60d383c692d06476b76646c8dec48
round 8:3d7c326d074bd6aa222ea050f04a3c7f
Key [15]:78c0162506be0b5953e8403c01028f93
Key [16]:24d7dbbe834dbd7b67f57fcf0d39d60f
Key [17]:2e74f1f3331c0f6585e87b2f715e187e
Ka      :d3af4c81e3f482f062999dee7882a73b
-----
rand    :26a92358294dce97b1d79ec32a67e81a
PIN length =11 octets
PIN     :05fbad03f52fa9324f7732
address :b9ac071f9d70
round 1:26a92358294dce97b1d79ec32a67e80a
Key [ 1]:05fbad03f52fa9324f7732b9ac071f9d
Key [ 2]:2504c9691c04a18480c8802e922098c0
round 2:0be20e3d76888e57b6bf77f97a8714fb
Key [ 3]:576b2791d1212bea8408212f2d43e77e
Key [ 4]:90ae36dcce8724adb618f912d1b27297
round 3:1969667060764453257d906b7e58bd5b
added ->:3f12892849c312c494542ea854bfa551
Key [ 5]:bc492c42c9e87f56ec31af5474e9226e
Key [ 6]:c135d1dbed32d9519acfb4169f3e1a10
round 4:ac404205118fe771e54aa6f392da1153
Key [ 7]:83ccbdbbaf17889b7d18254dc9252fa1
Key [ 8]:80b90a1767d3f2848080802764e21711
round 5:41795e89ae9a0cf776ffece76f47fd7a
Key [ 9]:cc24e4a86e8eed129118fd3d5223a1dc
Key [10]:7b1e9c0eb9dab083574be7b7015a62c9
round 6:29ca9e2f87ca00370ef1633505bfba4b
Key [11]:888e6d88cf4beb965cf7d4f32b696baa
Key [12]:6d642f3e5510b0b043a44daa2cf5eec0
round 7:81fc891c3c6fd99acc00028a387e2366
Key [13]:e224f85da2ab63a23e2a3a036e421358
Key [14]:c8dc22aaa739e2cb85d6a0c08226c7d0
round 8:e30b537e7a000e3d2424a9c0f04c4042
Key [15]:a969aa818c6b324bae391bedcdd9d335
Key [16]:6974b6f2f07e4c55f2cc0435c45bebd1
Key [17]:134b925ebd98e6b93c14aee582062fcb
Ka      :be87b44d079d45a08a71d15208c5cb50
-----
rand    :0edef05327eab5262430f21fc91ce682
PIN length =10 octets
PIN     :8210e47390f3f48c32b3
address :7a3cdfe377d1
round 1:0edef05327eab5262430f21fc91ce692
Key [ 1]:8210e47390f3f48c32b37a3cdfe377d1
Key [ 2]:c6be4c3e425e749b620a94c779e33a7e
round 2:07ca3c7a7a6bcbc31d79a856d9cfff0e
Key [ 3]:2587cec2a4b8e4f996a9ed664350d5dd
Key [ 4]:70e4bf72834d9d3dbb7eb2c239216dc0
round 3:792ad2ac4e4559d1463714d2f161b6f4
added ->:7708c2ff692f0ef7626706cd387d9c66
Key [ 5]:6696e1e7f8ac037e1ffff3598f0c164e2
    
```

Sample Data



```

Key [ 6]:23dbfe4d0b561bea08fbcef25e49b648
round 4:7d8c71a9d7fbdcbd851bdf074550b100
Key [ 7]:b03648acd021550edee904431a02f00c
Key [ 8]:cb169220b7398e8f077730aa4bf06baa
round 5:b6fcaa45064ffd557e4b7b30cfbb83e0
Key [ 9]:af602c2ba16a454649951274c2be6527
Key [10]:5d60b0a7a09d524143eca13ad680bc9c
round 6:b3416d391a0c26c558843debd0601e9e
Key [11]:9a2f39bfe558d9f562c5f09a5c3c0263
Key [12]:72cae8eebd7fabd9b1848333c2aab439
round 7:abe4b498d9c36ea97b8fd27d7f813913
Key [13]:15f27ea11e83a51645d487b81371d7dc
Key [14]:36083c8666447e03d33846edf444eb12
round 8:8032104338a945ba044d102eabda3b22
Key [15]:0a3a8977dd48f3b6c1668578befadd02
Key [16]:f06b6675d78ca0ee5b1761bdcdab516d
Key [17]:cbc8a7952d33aa0496f7ea2d05390b23
Ka      :bf0706d76ec3b11cce724b311bf71ff5
-----
rand    :86290e2892f278ff6c3fb917b020576a
PIN length = 9 octets
PIN     :3dcdffcfcd086802107
address :791a6a2c5cc3
round 1:86290e2892f278ff6c3fb917b0205765
Key [ 1]:3dcdffcfcd086802107791a6a2c5cc33d
Key [ 2]:b4962f40d7bb19429007062a3c469521
round 2:1ec59ffd3065f19991872a7863b0ef02
Key [ 3]:eb9ede6787dd196b7e340185562bf28c
Key [ 4]:2964e58aacf7287d1717a35b100ae23b
round 3:f817406f1423fc2fe33e25152679eAAF
added ->:7e404e47861574d08f7dde02969941ca
Key [ 5]:6abf9a314508fd61e486fa4e376c3f93
Key [ 6]:6da148b7ee2632114521842cbb274376
round 4:e9c2a8fac22b8c7cf0c619e2b3f890ed
Key [ 7]:df889cc34fda86f01096d52d116e620d
Key [ 8]:5eb04b147dc39d1974058761ae7b73fc
round 5:444a8aac0efee1c02f8d38f8274b7b28
Key [ 9]:8426cc59eee391b2bd50cf8f1efef8b3
Key [10]:8b5d220a6300ade418da791dd8151941
round 6:9185f983db150b1bccab1e5c12eb63a1
Key [11]:82ba4ddef833f6a4d18b07aa011f2798
Key [12]:ce63d98794682054e73d0359dad35ec4
round 7:5eded2668f5916dfd036c09e87902886
Key [13]:da794357652e80c70ad8b0715dbe33d6
Key [14]:732ef2c0c3220b31f3820c375e27bb29
round 8:88a5291b4acbba009a85b7dd6a834b3b
Key [15]:3ce75a61d4b465b70c95d7ccd5799633
Key [16]:5df9bd2c3a17a840cdaafb76c171db7c
Key [17]:3f8364b089733d902bccb0cd3386846f
Ka      :cdb0cc68f6f6fbd70b46652de3ef3ffb
-----
rand    :3ab52a65bb3b24a08eb6cd284b4b9d4b
    
```

Sample Data



```

PIN length = 8 octets
PIN      :d0fb9b6838d464d8
address  :25a868db91ab
round   1:3ab52a65bb3b24a08eb6cd284b4b9d45
Key [ 1]:d0fb9b6838d464d825a868db91abd0fb
Key [ 2]:2573f47b49dad6330a7a9155b7ae8ba1
round   2:ad2ffdf408fcfab44941016a9199251
Key [ 3]:d2c5b8fb80cba13712905a589adaee71
Key [ 4]:5a3381511b338719fae242758dea0997
round   3:2ddc17e570d7931a2b1d13f6ace928a5
added ->:17914180cb12b7baa5d3e0dee734c5e0
Key [ 5]:e0a4d8ac27fbe2783b7bcb3a36a6224d
Key [ 6]:949324c6864deac3eca8e324853e11c3
round   4:62c1db5cf31590d331ec40ad692e8df5
Key [ 7]:6e67148088a01c2d4491957cc9ddc4aa
Key [ 8]:557431deab7087bb4c03fa27228f60c6
round   5:9c8933bc361f4bde4d1bda2b5f8bb235
Key [ 9]:a2551aca53329e70ade3fd2bb7664697
Key [10]:05d0ad35de68a364b54b56e2138738fe
round   6:9156db34136aa06655bf28a05be0596a
Key [11]:1616a6b13ce2f2895c722e8495181520
Key [12]:b12e78a1114847b01f6ed2f5a1429a23
round   7:84dcc292ed836c1c2d523f2a899a2ad5
Key [13]:316e144364686381944e95afd8a026bb
Key [14]:1ab551b88d39d97ea7a9fe136dbfe2e1
round   8:87bdcac878d777877f4eccf042cfee5e
Key [15]:70e21ab08c23c7544524b64492b25cc9
Key [16]:35f730f2ae2b950a49a1bf5c8b9f8866
Key [17]:2f16924c22db8b74e2eadf1ba4ebd37c
Ka      :983218718ca9aa97892e312d86dd9516
-----
rand    :a6dc447ff08d4b366ff96e6cf207e179
PIN length = 7 octets
PIN     :9c57e10b4766cc
address :54ebd9328cb6
round   1:a6dc447ff08d4b366ff96e6cf207e174
Key [ 1]:9c57e10b4766cc54ebd9328cb69c57e1
Key [ 2]:00a609f4d61db26993c8177e3ee2bba8
round   2:1ed26b96a306d7014f4e5c9ee523b73d
Key [ 3]:646d7b5f9aaa528384bda3953b542764
Key [ 4]:a051a42212c0e9ad5c2c248259aca14e
round   3:a53f526db18e3d7d53edbf9711041ed
added ->:031b9612411b884b3ce62da583172299
Key [ 5]:d1bd5e64930e7f838d8a33994462d8b2
Key [ 6]:5dc7e2291e32435665ebd6956bec3414
round   4:9438be308ec83f35c560e2796f4e0559
Key [ 7]:10552f45af63b0f15e2919ab37f64fe7
Key [ 8]:c44d5717c114a58b09207392ebe341f8
round   5:b79a7b14386066d339f799c40479cb3d
Key [ 9]:6886e47b782325568eaf59715a75d8ff
Key [10]:8e1e335e659cd36b132689f78c147bda
round   6:ef232462228aa166438d10c34e17424b
    
```


Sample Data



```

Key [11]:8843efeedd5c2b7c3304d647f932f4d1
Key [12]:13785aaedd0adf67abb4f01872392785
round 7:02d133fe40d15f1073673b36bba35abd
Key [13]:837d7ca2722419e6be3fae35900c3958
Key [14]:93f8442973e7fccf2e7232d1d057c73a
round 8:275506a3d08c84e94cc58ed60054505e
Key [15]:8a7a9edffa3c52918bc6a45f57d91f5d
Key [16]:f214a95d777f763c56109882c4b52c84
Key [17]:10e2ee92c5ea1ddc5eb010e55510c403
Ka      :9cd6650ead86323e87cafb1ff516d1e0
-----
rand    :3348470a7ea6cc6eb81b40472133262c
PIN length = 6 octets
PIN     :fcad169d7295
address :430d572f8842
round 1:3348470a7ea6cc6eb81b404721332620
Key [ 1]:fcad169d7295430d572f8842fcad169d
Key [ 2]:b3479d4d4fd178c43e7bc5b0c7d8983c
round 2:af976da9225066d563e10ab955e6fc32
Key [ 3]:7112462b37d82dd81a2a35d9eb43cb7c
Key [ 4]:c5a7030f8497945ac7b84600d1d161fb
round 3:d08f826ebd55a0bd7591c19a89ed9bde
added ->:e3d7c964c3fb6cd3cdac01dda820c1fe
Key [ 5]:84b0c6ef4a63e4dff19b1f546d683df5
Key [ 6]:f4023edfc95d1e79ed4bb4de9b174f5d
round 4:6cd952785630dfc7cf81eea625e42c5c
Key [ 7]:ea38dd9a093ac9355918632c90c79993
Key [ 8]:dbba01e278ddc76380727f5d7135a7de
round 5:93573b2971515495978264b88f330f7f
Key [ 9]:d4dc3a31be34e412210fafa6eca00776
Key [10]:39d1e190ee92b0ff16d92a8be58d2fa0
round 6:b3f01d5e7fe1ce6da7b46d8c389baf47
Key [11]:1eb081328d4bcf94c9117b12c5cf22ac
Key [12]:7e047c2c552f9f1414d946775fabfe30
round 7:0b833bfff6106d5bae033b4ce5af5a924
Key [13]:e78e685d9b2a7e29e7f2a19d1bc38ebd
Key [14]:1b582272a3121718c4096d2d8602f215
round 8:23de0bbdc70850a7803f4f10c63b2c0f
Key [15]:8569e860530d9c3d48a0870dac33f676
Key [16]:6966b528fdd1dc222527052c8f6cf5a6
Key [17]:a34244c757154c53171c663b0b56d5c2
Ka      :98f1543ab4d87bd5ef5296fb5e3d3a21
-----
rand    :0f5bb150b4371ae4e5785293d22b7b0c
PIN length = 5 octets
PIN     :b10d068bca
address :b44775199f29
round 1:0f5bb150b4371ae4e5785293d22b7b07
Key [ 1]:b10d068bcab44775199f29b10d068bca
Key [ 2]:aec70d1048f1bbd2c18040318a8402ad
round 2:342d2b79d7fb7cd110379742b9842c79
Key [ 3]:6d8d5cf338f29ef4420639ef488e4fa9
    
```

Sample Data



```

Key [ 4]:a1584117541b759ba6d9f7eb2bedcbba
round 3:9407e8e3e810603921bf81cfda62770a
added ->:9b6299b35c477addc437d35c088df20d
Key [ 5]:09a20676666aeed6f22176274eb433f4
Key [ 6]:840472c001add5811a054be5f5c74754
round 4:9a3ba953225a7862c0a842ed3d0b2679
Key [ 7]:fad9e45c8bf70a972fcd9bff0e8751f5
Key [ 8]:e8f30ff666dfd212263416496ff3b2c2
round 5:2c573b6480852e875df34b28a5c44509
Key [ 9]:964cdba0cf8d593f2fc40f96daf8267a
Key [10]:bcd65c11b13e1a70bcd4aafba8864fe3
round 6:21b0cc49e880c5811d24dee0194e6e9e
Key [11]:468c8548ea9653c1a10df6288dd03c1d
Key [12]:5d252d17af4b09d3f4b5f7b5677b8211
round 7:e6d6bdcd63e1d37d9883543ba86392fd
Key [13]:e814bf307c767428c67793dda2df95c7
Key [14]:4812b979fdc20f0ff0996f61673a42cc
round 8:e3dde7ce6bd7d8a34599aa04d6a760ab
Key [15]:5b1e2033d1cd549fc4b028146eb5b3b7
Key [16]:0f284c14fb8fe706a5343e3aa35af7b1
Key [17]:b1f7a4b7456d6b577fded6dc7a672e37
Ka      :c55070b72bc982adb972ed05d1a74ddb
-----
rand   :148662a4baa73cfadb55489159e476e1
PIN length = 4 octets
PIN    :fb20f177
address:a683bd0b1896
round 1:148662a4baa73cfadb55489159e476eb
Key [ 1]:fb20f177a683bd0b1896fb20f177a683
Key [ 2]:47266cefbfa468ca7916b458155dc825
round 2:3a942eb6271c3f4e433838a5d3fcbd27
Key [ 3]:688853a6d6575eb2f6a2724b0fbc133b
Key [ 4]:7810df048019634083a2d9219d0b5fe0
round 3:9c835b98a063701c0887943596780769
added ->:8809bd3c1a0aace6d3dcdca4cf5c7d82
Key [ 5]:c78f6dcf56dalbbd413828b33f5865b3
Key [ 6]:eb3f3d407d160df3d293a76d1a513c4a
round 4:7e68c4bafa020a4a59b5a1968105bab5
Key [ 7]:d330e038d6b19d5c9bb0d7285a360064
Key [ 8]:9bd3ee50347c00753d165faced702d9c
round 5:227bad0cf0838bdb15b3b3872c24f592
Key [ 9]:9543ad0fb3fe74f83e0e2281c6d4f5f0
Key [10]:746cd0383c17e0e80e6d095a87fd0290
round 6:e026e98c71121a0cb739ef6f59e14d26
Key [11]:fa28bea4b1c417536608f11f406ea1dd
Key [12]:3aee0f4d21699df9cb8caf5354a780ff
round 7:cd6a6d8137d55140046f8991da1fa40a
Key [13]:372b71bc6d1aa6e785358044fbcf05f4
Key [14]:00a01501224c0405de00aa2ce7b6ab04
round 8:52cd7257fe8d0c782c259bcb6c9f5942
Key [15]:c7015c5c1d7c030e00897f104a006d4a
Key [16]:260a9577790c62e074e71e19fd2894df
    
```

Sample Data



```

Key [17]:c041b7a231493acd15ddcdae94b9f52
Ka      :7ec864df2f1637c7e81f2319ae8f4671
-----
rand    :193a1b84376c88882c8d3b4ee93ba8d5
PIN length = 3 octets
PIN     :a123b9
address :4459a44610f6
round  1:193a1b84376c88882c8d3b4ee93ba8dc
Key [ 1]:a123b94459a44610f6a123b94459a446
Key [ 2]:5f64d384c8e990c1d25080eb244dde9b
round  2:3badbd58f100831d781ddd3ccedefd3f
Key [ 3]:5abc00eff8991575c00807c48f6dbea5
Key [ 4]:127521158ad6798fb6479d1d2268abe6
round  3:0b53075a49c6bf2df2421c655fdef68
added  ->:128d22de7e3247a5decf572bb61987b4
Key [ 5]:f2a1f620448b8e56665608df2ab3952f
Key [ 6]:7c84c0af02aad91dc39209c4edd220b1
round  4:793f4484fb592e7a78756fd4662f990d
Key [ 7]:f6445b647317e7e493bb92bf6655342f
Key [ 8]:3cae503567c63d3595eb140ce60a84c0
round  5:9e46a8df925916a342f299a8306220a0
Key [ 9]:734ed5a806e072bbeb4254993871679
Key [10]:cda69ccb4b07f65e3c8547c11c0647b8
round  6:6bf9cd82c9e1be13fc58eae0b936c75a
Key [11]:c48e531d3175c2bd26fa25cc8990e394
Key [12]:6d93d349a6c6e9ff5b26149565b13d15
round  7:e96a9871471240f198811d4b8311e9a6
Key [13]:5c4951e85875d663526092cd4cbdb667
Key [14]:f19f7758f5cde86c3791efaf563b3fd0
round  8:e94ca67d3721d5fb08ec069191801a46
Key [15]:bf0c17f3299b37d984ac938b769dd394
Key [16]:7edf4ad772a6b9048588f97be25bde1c
Key [17]:6ee7ba6afefc5b561abbd8d6829e8150
Ka      :ac0daabf17732f632e34ef193658bf5d
-----
rand    :1453db4d057654e8eb62d7d62ec3608c
PIN length = 2 octets
PIN     :3eaf
address :411fbbb51d1e
round  1:1453db4d057654e8eb62d7d62ec36084
Key [ 1]:3eaf411fbbb51d1e3eaf411fbbb51d1e
Key [ 2]:c3a1a997509f00fb4241aba607109c64
round  2:0b78276c1ebc65707d38c9c5fa1372bd
Key [ 3]:3c729833ae1ce7f84861e4dbad6305cc
Key [ 4]:c83a43c3a66595cb8136560ed29be4ff
round  3:23f3f0f6441563d4c202cee0e5cb2335
added  ->:3746cbbb418bb73c2964a536cb8e83b1
Key [ 5]:18b26300b86b70acd1c8f5cbc7c5da8
Key [ 6]:04efc75309b98cd8f1cef5513c18e41e
round  4:c61afa90d3c14bdf588320e857afdc00
Key [ 7]:517c789cecad455751af73198749fb8
Key [ 8]:fd9711f913b5c844900fa79dd765d0e2
    
```

Sample Data



```

round 5:a8a0e02ceb556af8bfa321789801183a
Key [ 9]:bb5cf30e7d3ceb930651b1d16ee92750
Key [10]:3d97c7862ecab42720e984972f8efd28
round 6:0b58e922438d224db34b68fca9a5ea12
Key [11]:4ce730344f6b09e449dcdb64cd466666
Key [12]:38828c3a56f922186adcd9b713cdcc31
round 7:b90664c4ac29a8b4bb26debec9ffc5f2
Key [13]:d30fd865ea3e9edcfff86a33a2c319649
Key [14]:1fdb63e54413acd968195ab6fa424e83
round 8:6934de3067817cefd811abc5736c163b
Key [15]:a16b7c655bbaa262c807cba8ae166971
Key [16]:7903dd68630105266049e23ca607cda7
Key [17]:888446f2d95e6c2d2803e6f4e815ddc9
Ka      :1674f9dc2063cc2b83d3ef8ba692ebef
-----
rand    :1313f7115a9db842fcedc4b10088b48d
PIN length = 1 octets
PIN     :6d
address :008aa9be62d5
round 1:1313f7115a9db842fcedc4b10088b48a
Key [ 1]:6d008aa9be62d56d008aa9be62d56d00
Key [ 2]:46ebfeafb6657b0a1984a8dc0893accf
round 2:839b23b83b5701ab095bafdl62ec0ac7
Key [ 3]:8e15595edcf058af62498ee3c1dc6098
Key [ 4]:dd409c3444e94b9cc08396ae967542a0
round 3:c0a2010cc44f2139427f093f4f97ae68
added ->:d3b5f81d9eecd97bbe6ccd8e4f1f62e2
Key [ 5]:487deff5d519f6a6481e947b926f633c
Key [ 6]:5b4b6e3477ed5c2c01f6e607d3418963
round 4:1a5517a0efad3575931d8ea3bee8bd07
Key [ 7]:34b980088d2b5fd6b6a2aceeda99c9c4
Key [ 8]:e7d06d06078acc4ecdbc8da800b73078
round 5:d3ce1fdfe716d72c1075ff37a8a2093f
Key [ 9]:7d375bad245c3b757380021af8ecd408
Key [10]:14dac4bc2f4dc4929a6cceec47f4c3a3
round 6:47e90cb55be6e8dd0f583623c2f2257b
Key [11]:66cfda3c63e464b05e2e7e25f8743ad7
Key [12]:77cfccdalad380b9fdf1df10846b50e7
round 7:f866ae6624f7abd4a4f5bd24b04b6d43
Key [13]:3e11dd84c031a470a8b66ec6214e44cf
Key [14]:2f03549bdb3c511eea70b65d5dbb08253
round 8:02e8e17cf8be4837c9c40706b613dfa8
Key [15]:e2f331229ddfcc6e7bea08b01ab7e70c
Key [16]:b6b0c3738c5365bc77331b98b3fba2ab
Key [17]:f5b3973b636119e577c5c15c87bcfd19
Ka      :38ec0258134ec3f08461ae5c328968a1
    
```



10.5 FOUR TESTS OF E3

```

rand      :00000000000000000000000000000000
aco       :48afcdd4bd40fef76693b113
key       :00000000000000000000000000000000
round 1:00000000000000000000000000000000
Key [ 1]:00000000000000000000000000000000
Key [ 2]:4697b1baa3b7100ac537b3c95a28ac64
round 2:78d19f9307d2476a523ec7a8a026042a
Key [ 3]:ecabaac66795580df89af66e66dc053d
Key [ 4]:8ac3d8896ae9364943bfebd4969b68a0
round 3:600265247668dda0e81c07bbb30ed503
Key [ 5]:5d57921fd5715cbb22c1be7bbc996394
Key [ 6]:2a61b8343219fdfb1740e6511d41448f
round 4:d7552ef7cc9dbde568d80c2215bc4277
Key [ 7]:dd0480dee731d67f01a2f739da6f23ca
Key [ 8]:3ad01cd1303e12a1cd0fe0a8af82592c
round 5:fb06bef32b52ab8f2a4f2b6ef7f6d0cd
Key [ 9]:7dadb2efc287ce75061302904f2e7233
Key [10]:c08dcfa981e2c4272f6c7a9f52e11538
round 6:b46b711ebb3cf69e847a75f0ab884bdd
Key [11]:fc2042c708e409555e8c147660ffdf7
Key [12]:fa0b21001af9a6b9e89e624cd99150d2
round 7:c585f308ff19404294f06b292e978994
Key [13]:18b40784ea5ba4c80ecb48694b4e9c35
Key [14]:454d54e5253c0c4a8b3fcc7db6baef4
round 8:2665fad13acf952bf74b4ab12264b9f
Key [15]:2df37c6d9db52674f29353b0f011ed83
Key [16]:b60316733b1e8e70bd861b477e2456f1
Key [17]:884697b1baa3b7100ac537b3c95a28ac
round 1:5d3ecb17f26083df0b7f2b9b29aef87c
Key [ 1]:e9e5dfc1b3a79583e9e5dfc1b3a79583
Key [ 2]:7595bf57e0632c59f435c16697d4c864
round 2:de6fe85c5827233fe22514a16f321bd8
Key [ 3]:e31b96afcc75d286ef0ae257cbbc05b7
Key [ 4]:0d2a27b471bc0108c6263aff9d9b3b6b
round 3:7cd335b50d09d139ea6702623af85edb
added ->:211100a2ff6954e6e1e62df913a656a7
Key [ 5]:98d1eb5773cf59d75d3b17b3bc37c191
Key [ 6]:fd2b79282408ddd4ea0aa7511133336f
round 4:991dcc3201b5b1c4ceff65a3711e1e9
Key [ 7]:331227756638a41d57b0f7e071ee2a98
Key [ 8]:aa0dd8cc68b406533d0f1d64aabacf20
round 5:18768c7964818805fe4c6ecae8a38599
Key [ 9]:669291b0752e63f806f76f10e119c8
Key [10]:ef8bdd46be8ee0277e9b78adef1ec154
round 6:82f9aa127a72632af43d1a17e7bd3a09
Key [11]:f3902eb06dc409cfd78384624964bf51
Key [12]:7d72702b21f97984a721c99b0498239d
round 7:1543d7870bf2d6d6efab3cbf62dca97d
Key [13]:532e60bceaf902c52a06c2c283ecfa32
Key [14]:181715e5192efb2a64129668cf5d9dd4
    
```

Sample Data



```

round 8:eee3e8744a5f8896de95831ed837ffd5
Key [15]:83017c1434342d4290e961578790f451
Key [16]:2603532f365604646ff65803795ccce5
Key [17]:882f7c907b565ea58dae1c928a0dcf41
K_enc :cc802aecc7312285912e90af6a1e1154
-----
rand :950e604e655ea3800fe3eb4a28918087
aco :68f4f472b5586ac5850f5f74
key :34e86915d20c485090a6977931f96df5
round 1:950e604e655ea3800fe3eb4a28918087
Key [ 1]:34e86915d20c485090a6977931f96df5
Key [ 2]:8de2595003f9928efaf37e5229935bdb
round 2:d46f5a04c967f55840f83d1cdb5f9afc
Key [ 3]:46f05ec979a97cb6ddf842ecc159c04a
Key [ 4]:b468f0190a0a83783521deae8178d071
round 3:e16edede9cb6297f32e1203e442ac73a
Key [ 5]:8a171624dedbd552356094daadcf12a
Key [ 6]:3085e07c85e4b99313f6e0c837b5f819
round 4:805144e55e1ece96683d23366fc7d24b
Key [ 7]:fe45c27845169a66b679b2097d147715
Key [ 8]:44e2f0c35f64514e8bec66c5dc24b3ad
round 5:edba77af070bd22e9304398471042f1
Key [ 9]:0d534968f3803b6af447eaf964007e7b
Key [10]:f5499a32504d739ed0b3c547e84157ba
round 6:0dab1a4c846aef0b65b1498812a73b50
Key [11]:e17e8e456361c46298e6592a6311f3fb
Key [12]:ec6d14da05d60e8abac807646931711f
round 7:1e7793cac7f55a8ab48bd33bc9c649e0
Key [13]:2b53dde3d89e325e5ff808ed505706ae
Key [14]:41034e5c3fb0c0d4f445f0cf23be79b0
round 8:3723768baa78b6a23ade095d995404da
Key [15]:e2ca373d405a7abf22b494f28a6fd247
Key [16]:74e09c9068c0e8f1c6902d1b70537c30
Key [17]:767a7f1acf75c3585a55dd4a428b2119
round 1:39809afb773efd1b7510cd4cb7c49f34
Key [ 1]:1d0d48d485abddd3798b483a82a0f878
Key [ 2]:aed957e600a5aed5217984dd5fef6fd8
round 2:6436ddbabe92655c87a7d0c12ae5e5f6
Key [ 3]:fee00bb0de89b6ef0a289696a4faa884
Key [ 4]:33ce2f4411db4dd9b7c42cc586b8a2ba
round 3:cec690f7e0aa5f063062301e049a5cc5
added ->:f7462a0c97e85c1d4572fd52b35efbf1
Key [ 5]:b5116f5c6c29e05e4acb4d02a46a3318
Key [ 6]:ff4fa1f0f73d1a3c67bc2298abc768f9
round 4:dcdfe942e9f0163fc24a4718844b417d
Key [ 7]:5453650c0819e001e48331ad0e9076e0
Key [ 8]:b4ff8dda778e26c0dce08349b81c09a1
round 5:265a16b2f766afae396e7a98c189fda9
Key [ 9]:f638fa294427c6ed94300fd823b31d10
Key [10]:1ccfa0bd86a9879b17d4bc457e3e03d6
round 6:628576b5291d53d1eb8611c8624e863e
Key [11]:0eaae2ef4602ac9ca19e49d74a76d335
    
```

Sample Data



```

Key [12]:6e1062f10a16e0d378476da3943842e9
round 7:d7b9c2e9b2d5ea5c27019324cae882b3
Key [13]:40be960bd22c744c5b23024688e554b9
Key [14]:95c9902cb3c230b44d14ba909730d211
round 8:97fb6065498385e47eb3df6e2ca439dd
Key [15]:10d4b6e1d1d6798aa00aa2951e32d58d
Key [16]:c5d4b91444b83ee578004ab8876ba605
Key [17]:1663a4f98e2862eddd3ec2fb03dcc8a4
K_enc :c1beafea6e747e304cf0bd7734b0a9e2
-----
rand :6a8ebcf5e6e471505be68d5eb8a3200c
aco :658d791a9554b77c0b2f7b9f
key :35cf77b333c294671d426fa79993a133
round 1:6a8ebcf5e6e471505be68d5eb8a3200c
Key [ 1]:35cf77b333c294671d426fa79993a133
Key [ 2]:c4524e53b95b4bf2d7b2f095f63545fd
round 2:ade94ec585db0d27e17474b58192c87a
Key [ 3]:c99776768c6e9f9dd3835c52cea8d18a
Key [ 4]:f1295db23823ba2792f21217fc01d23f
round 3:da8dc1a10241ef9e6e069267cd2c6825
Key [ 5]:9083db95a6955235bbfad8aeefec5f0b
Key [ 6]:8bab6bc253d0d0c7e0107feab728ff68
round 4:e6665ca0772ceecbc21222ff7be074f8
Key [ 7]:2fal1f4e7a4cf3ccd876ec30d194cf196
Key [ 8]:267364be247184d5337586a19df8bf84
round 5:a857a9326c9ae908f53fee511c5f4242
Key [ 9]:9aef21965b1a6fa83948d107026134c7
Key [10]:d2080c751def5dc0d8ea353cebf7b973
round 6:6678748a1b5f21ac05cf1b117a7c342f
Key [11]:d709a8ab70b0d5a2516900421024b81e
Key [12]:493e4843805f1058d605c8d1025f8a56
round 7:766c66fe9c460bb2ae39ec01e435f725
Key [13]:b1ed21b71daea03f49fe74b2c11fc02b
Key [14]:0e1ded7ebf23c72324a0165a698c65c7
round 8:396e0ff7b2b9b7a3b35c9810882c7596
Key [15]:b3bf4841dc92f440fde5f024f9ce8be9
Key [16]:1c69bc6c2994f4c84f72be8f6b188963
Key [17]:bb7b66286dd679a471e2792270f3bb4d
round 1:45654f2f26549675287200f07cb10ec9
Key [ 1]:1e2a5672e66529e4f427b0682a3a34b6
Key [ 2]:974944f1ce0037b1febcb61a2bc961a2
round 2:990cd869c534e76ed4f4af7b3bfbcb6c8
Key [ 3]:8147631fb1ce95d624b480fc7389f6c4
Key [ 4]:6e90a2db33d284aa13135f3c032aa4f4
round 3:ceb662f875aa6b94e8192b5989abf975
added ->:8b1bb1d753fe01e1c08b2ba9f55c07bc
Key [ 5]:cbad246d24e36741c46401e6387a05f9
Key [ 6]:dcf52aaec5713110345a41342c566fc8
round 4:d4e000be5de78c0f56ff218f3c1df61b
Key [ 7]:8197537aa9d27e67d17c16b182c8ec65
Key [ 8]:d66e00e73d835927a307a3ed79d035d8
round 5:9a4603bdef954cfaade2052604bed4e4
    
```

Sample Data



```

Key [ 9]:71d46257ecc1022bcd312ce6c114d75c
Key [10]:f91212fa528379651fbd2c32890c5e5f
round 6:09a0fd197ab81eb933eece2fe0132dbb
Key [11]:283acc551591fadce821b02fb9491814
Key [12]:ca5f95688788e20d94822f162b5a3920
round 7:494f455a2e7a5db861ece816d4e363e4
Key [13]:ba574aef663c462d35399efb999d0e40
Key [14]:6267afc834513783fef1601955fe0628
round 8:37a819f91c8380fb7880e640e99ca947
Key [15]:fdcd9be5450eef0f8737e6838cd38e2b
Key [16]:8cfbd9b8056c6a1ce222b92b94319b38
Key [17]:4f64c1072c891c39eeb95e63318462e0
K_enc :a3032b4df1cceb8adcl0a4427224299
-----
rand :5ecd6d75db322c75b6afb799cb18668
aco :63f701c7013238bbf88714ee
key :b9f90c53206792b1826838b435b87d4d
round 1:5ecd6d75db322c75b6afb799cb18668
Key [ 1]:b9f90c53206792b1826838b435b87d4d
Key [ 2]:15f74bbbd4b9d1e08f858721f131669
round 2:72abb85fc80c15ec2b00d72873ef9ad4
Key [ 3]:ef7fb29f0b01f82706c7439cc52f2dab
Key [ 4]:3003a6aecdee06b9ac295cce30dcdb93
round 3:2f10bab93a0f73742183c68f712dfa24
Key [ 5]:5fcd6b3afdf7df06754c954fc6340254
Key [ 6]:ddaa90756635579573fe8ca1f93d4a38
round 4:183b145312fd99d5ad08e7ca4a52f04e
Key [ 7]:27ca8a7fc703aa61f6d7791fc19f704a
Key [ 8]:702029d8c6e42950762317e730ec5d18
round 5:cbad52d3a026b2e38b9ae6feffffecc32
Key [ 9]:ff15eaa3f73f4bc2a6ccfb9ca24ed9c5
Key [10]:034e745246cd2e2cfc3bda39531ca9c5
round 6:ce5f159d0a1acaacd9fb4643272033a7
Key [11]:0a4d8ff5673731c3dc8fe87e39a34b77
Key [12]:637592fab43a19ac0044a21afef455a2
round 7:8a49424a10c0bea5aba52dbbffc8c8e8
Key [13]:6b3fde58f4f6438843cdbe92667622b8
Key [14]:a10bfa35013812f39bf2157f1c9fca4e
round 8:f5e12da0e93e26a5850251697ec0b917
Key [15]:2228fe5384e573f48fdd19ba91f1bf57
Key [16]:5f174db2bc88925c0fbc6b5485baf8c08
Key [17]:28ff90bd0dc31ea2bb479feb7d8fe029
round 1:0c75eed2b54c1cfb9ff522daef94ed4d
Key [ 1]:a21ceb92d3c027326b4de775865fe8d0
Key [ 2]:26f64558a9f0a1652f765efd546f3208
round 2:48d537ac209a6aa07b70000016c602e8
Key [ 3]:e64f9ef630213260f1f79745a0102ae5
Key [ 4]:af6a59d7cebfd0182dcca9a537c4add8
round 3:8b6d517ac893743a401b3fb7911b64e1
added ->:87e23fa87ddf90c1df10616d7eaf51ac
Key [ 5]:9a6304428b45da128ab64c8805c32452
Key [ 6]:8af4d1e9d80cb73ec6b44e9b6e4f39d8
    
```


Sample Data

```
round 4:9f0512260a2f7a5067efc35bf1706831
Key [ 7]:79cc2d138606f0fca4e549c34a1e6d19
Key [ 8]:803dc5cdde0efdbee7a1342b2cd4d344
round 5:0cfd7856edfafac51f29e86365de6f57
Key [ 9]:e8fa996448e6b6459ab51e7be101325a
Key [10]:2acc7add7b294acb444cd933f0e74ec9
round 6:2f1fa34bf352dc77c0983a01e8b7d622
Key [11]:f57de39e42182efd6586b86a90c86bb1
Key [12]:e418dfd1bb22ebf1bfc309cd27f5266c
round 7:ee4f7a53849bf73a747065d35f3752b1
Key [13]:80a9959133856586370854db6e0470b3
Key [14]:f4c1bc2f764a0193749f5fc09011a1ae
round 8:8fec6f7249760ebf69e370e9a4b80a92
Key [15]:d036cef70d6470c3f52f1b5d25b0c29d
Key [16]:d0956af6b8700888a1cc88f07ad226dc
Key [17]:1ce8b39c4c7677373c30849a3ee08794
K_enc  :ea520cfc546b00eb7c3a6cea3ecb39ed
```



11 CONNECTIONLESS PERIPHERAL BROADCAST SAMPLE DATA

This section contains an example of the DM3 packet used for the synchronization train (see [\[Vol 2\] Part B, Section 8.11.2](#)).

Packet header: (MSB...LSB)

LT_ADDR = 0
 TYPE = 1010 (DM3)
 FLOW = 0
 ARQN = 0
 SEQN = 0

Payload:

logical channel = 10 (binary) (L2CAP start or no fragmentation)
 payload length = 28 bytes
 flow = 0
 current CLK = 0x2345678
 next Connectionless Peripheral Broadcast instant = 0x23457a0
 AFH channel map = all channels used except 16 and 42 to 47
 Central BD_ADDR = NAP 0xACDE, UAP 0x48, LAP 0x610316
 Connectionless Peripheral Broadcast interval = 564 slots
 Connectionless Peripheral Broadcast LT_ADDR = 1
 service data = 0x69

AIR DATA

Packet header (including HEC, in transmitted bit order):

00000000
 000111000111
 000
 000
 000
 1111111110000000000000111

Payload

The data forming the payload consists of the following 32 octets (given in hexadecimal) in the order transmitted:

e2 00
 78 56 34 02
 d0 2b 1a 01
 ff ff fe ff ff 03 ff ff ff 7f
 16 03 61 48 de ac
 34 02
 01
 69
 f2 85

Sample Data

The bit sequence transmitted (including FEC) will therefore begin:

```
0100011100 01001
0000000001 10101
1110011010 11011
```

and end:

```
0100111110 10001
1000010000 00011
```

SECURITY SPECIFICATION

This Part describes the security system which may be used at the Link Layer. The Encryption, Authentication, and Key Generation schemes are specified. The requirements for the supporting process of random number generation are also specified.



CONTENTS

1	Security overview	951
1.1	Pausing encryption and role switch	952
1.2	Change connection link keys	953
1.3	Periodically refreshing encryption keys	953
2	Random number generation	954
3	Key management	955
3.1	Key types	955
3.2	Key generation and initialization	957
3.2.1	Generation of initialization key, Kinit	957
3.2.2	Authentication	958
3.2.3	[This section is no longer used]	958
3.2.4	Generation of a combination key	958
3.2.5	Generating the encryption key	959
3.2.6	Point-to-multipoint configuration	960
3.2.7	Modifying the link keys	960
3.2.8	Generating a temporary link key	961
4	Encryption (E0)	963
4.1	Encryption key size negotiation	963
4.2	Encryption of broadcast messages	964
4.3	Encryption concept	964
4.4	Encryption algorithm	965
4.4.1	The operation of the cipher	967
4.5	LFSR initialization	968
4.6	Key stream sequence	971
5	Authentication	972
5.1	Repeated attempts	975
6	The authentication and key-generating functions	976
6.1	The authentication function E1	976
6.2	The functions A_r and A'_r	978
6.2.1	The round computations	978
6.2.2	The substitution boxes “e” and “l”	978
6.2.3	Key scheduling	979
6.3	E2-key generation function for authentication	980
6.4	E3-key generation function for encryption	982
7	Secure Simple Pairing	983
7.1	Phase 1: Public key exchange	984
7.2	Phase 2: Authentication stage 1	985



- 7.2.1 Authentication stage 1: Numeric Comparison protocol..... 985
- 7.2.2 Authentication stage 1: Out of Band protocol 987
- 7.2.3 Authentication stage 1: Passkey Entry protocol..... 989
- 7.3 Phase 3: Authentication stage 2 991
- 7.4 Phase 4: Link key calculation 992
- 7.5 Phase 5: LMP authentication and encryption 993
- 7.6 Elliptic curve definition 993
- 7.7 Cryptographic function definitions 994
 - 7.7.1 The Secure Simple Pairing commitment function f1 ... 994
 - 7.7.2 The Secure Simple Pairing numeric verification function g 995
 - 7.7.3 The Secure Simple Pairing key derivation function f2 996
 - 7.7.4 The Secure Simple Pairing check function f3 997
 - 7.7.5 [This section is no longer used] 998
 - 7.7.6 The AES encryption key generation function h3..... 998
 - 7.7.7 The Device authentication key generation function h4 999
 - 7.7.8 The Device authentication confirmation function h5 ... 999
- 8 [This section is no longer used]..... 1001**
- 9 AES-CCM encryption for BR/EDR 1002**
 - 9.1 Nonce formats 1002
 - 9.2 Counter mode blocks..... 1004
 - 9.3 Encryption blocks 1006
 - 9.4 Encryption key size reduction 1006
 - 9.5 Repeated MIC failures..... 1006



1 SECURITY OVERVIEW

Bluetooth wireless technology provides peer-to-peer communications over short distances. In order to provide usage protection and information confidentiality, the system provides security measures both at the application layer and the Link Layer. These measures are designed to be appropriate for a peer environment.

This means that in each device, the authentication and encryption routines are implemented in the same way.

In [Vol 2] Part H, the term "random number" includes pseudo-random numbers, subject to the requirements in Section 2.

The security mechanisms used in BR/EDR have evolved over the course of multiple versions of the specification in three phases: legacy, Secure Simple Pairing, and Secure Connections. The encryption, authentication and key generation algorithms associated with each is shown in Table 1.1.

Security Mechanism	Legacy	Secure Simple Pairing	Secure Connections
Encryption	E0	E0	AES-CCM
Authentication	SAFER+	SAFER+	HMAC-SHA256
Key Generation	SAFER+	P-192 ECDH HMAC-SHA-256	P-256 ECDH HMAC-SHA-256

Table 1.1: Security algorithms

The legacy encryption, authentication and key generation algorithms are described in Section 3 to 6. The algorithms used for Secure Simple Pairing and Secure Connections are described in Section 7 to 9.

Four different entities are used for maintaining security at the Link Layer: a Bluetooth Device Address, two secret keys, and a random number that shall be regenerated for each new transaction. The four entities and their sizes are summarized in Table 1.2.

Entity	Size
BD_ADDR	48 bits
Private user key, authentication	128 bits
Private user key, encryption configurable length (byte-wise)	8 to 128 bits
RAND	128 bits

Table 1.2: Entities used in authentication and encryption procedures



The Bluetooth Device Address (BD_ADDR) is the 48-bit address. The BD_ADDR can be obtained via user interactions, or, automatically, via an inquiry routine by a device.

The secret keys are derived during initialization and are never disclosed. The encryption key is derived from the authentication key during the authentication process. For the authentication algorithm, the size of the key used is always 128 bits. For the encryption algorithm, the key size may vary between 1 and 16 octets (8 - 128 bits). The size of the encryption key is configurable for two reasons. The first has to do with the many different requirements imposed on cryptographic algorithms in different countries – both with respect to export regulations and official attitudes towards privacy in general. The second reason is to facilitate a future upgrade path for the security without the need of a costly redesign of the algorithms and encryption hardware; increasing the effective key size is the simplest way to combat increased computing power at the opponent side.

The encryption key is entirely different from the authentication key. Each time encryption is activated, a new encryption key shall be generated. Thus, the lifetime of the encryption key does not necessarily correspond to the lifetime of the authentication key.

It is anticipated that the authentication key will be more static in its nature than the encryption key – once established, the particular application running on the device decides when, or if, to change it. To underline the fundamental importance of the authentication key to a specific link, it is often referred to as the link key.

RAND is a random number which can be derived from a random process in the device. This is not a static parameter and will change frequently.

In this part, the terms user and application are used interchangeably to designate the entity that is at either side.

1.1 PAUSING ENCRYPTION AND ROLE SWITCH

To perform a role switch on a connection encryption must be disabled or paused as the encryption is based off the Central's clock and Bluetooth address information. Unfortunately, if the role switch is required, and encryption is turned off, the device on the other end of the link will not be aware of the reason for disabling encryption, and can therefore take two possible actions: send clear text data, or disconnect. Neither of these possible actions is desirable. When performing a role switch on an encrypted link, the role switch shall be performed as a single operation where possible. If this is not possible because the other device does not support the encryption pause feature, then when a device wishes to have an encrypted link, and encryption is disabled, then the device should not send any user data, and should not disconnect. If both devices support the encryption pause feature, then this procedure shall be used.



1.2 CHANGE CONNECTION LINK KEYS

It is possible to perform a change of connection link keys while a link is encrypted, but it is not possible to use the new link keys until encryption has been stopped and then restarted. As with role switches, disabling encryption and then re-enabling it again can cause user data to be sent in the clear or a disconnection to occur. The use of encryption pausing prevents this problem from occurring. On devices that do not support the encryption pause feature, when a device wishes to have an encrypted link, and encryption is disabled, then the device should not send any data, and should not disconnect. If both devices support the encryption pause feature, then this procedure shall be used.

1.3 PERIODICALLY REFRESHING ENCRYPTION KEYS

If both devices support the encryption pause feature, then the encryption keys shall be refreshed by the Link Manager at least once every 2^{28} ticks of the Bluetooth clock (about 23.3 hours) when E0 encryption is used and before either the PayloadCounter or dayCounter roll over (at least 2^{38} ticks of the Bluetooth clock or at least 2.72 years) when AES-CCM encryption is used if it is not refreshed by the Host or the remote Link Manager. To refresh an encryption key, the Host may use the Change Connection Link Key procedure or request an encryption key refresh. If the encryption key has not been refreshed before going stale, a device may disconnect the link.

2 RANDOM NUMBER GENERATION

Each device shall have a random number generator. Random numbers are used for many purposes within the security functions – for instance, for the challenge-response scheme, for generating authentication and encryption keys, nonces used in Secure Simple Pairing, for Passkeys used in authentication. A device shall use a random number generator compliant with [FIPS PUB 140-2] (<http://csrc.nist.gov/publications/fips/fips140-2/fips1402annexc.pdf>) or a later update.

When using a pseudo-random number generator, the device shall use a seed with at least the minimum entropy required by that pseudo-random number generator.

The random number generator shall be tested against the [FIPS SP800-22] (<http://csrc.nist.gov/publications/nistpubs/800-22-rev1a/SP800-22rev1a.pdf>). This encompasses the verification of the following statistical tests performed on the output of the PRNG as specified by the [FIPS SP800-22]:

1. The Frequency (Monobit) Test
2. Frequency Test within a Block
3. The Runs Test
4. Test for the Longest-Run-of-Ones in a Block
5. The Binary Matrix Rank Test
6. The Discrete Fourier Transform (Spectral) Test
7. The Non-overlapping Template Matching Test
8. The Overlapping Template Matching Test
9. Maurer's "Universal Statistical" Test
10. The Linear Complexity Test
11. The Serial Test
12. The Approximate Entropy Test
13. The Cumulative Sums (Cusums) Test
14. The Random Excursions Test
15. The Random Excursions Variant Test

These tests are part of standard statistical mathematical packages. Some test suites, like the Diehard test suite can be used to verify the compliance.

Alternatively, other tools, such as the DieHarder (http://www.phy.duke.edu/~rgb/General/rand_rate.php) or the available NIST tools (http://csrc.nist.gov/groups/ST/toolkit/random_number.html) and the corresponding recommendations (<http://csrc.nist.gov/publications/nistpubs/800-22-rev1/SP800-22rev1.pdf>) may also be used.



3 KEY MANAGEMENT

It is important that the encryption key size within a specific device cannot be set by the user – this should be a factory preset entity. In order to prevent the user from over-riding the permitted key size, the Bluetooth Baseband processing shall not accept an encryption key given from higher software layers. Whenever a new encryption key is required, it shall be created as defined in [Section 6.4](#).

Changing a link key shall also be done through the defined Baseband procedures. Depending on what kind of link key it is, different approaches are required. The details are found in [Section 3.2.7](#).

3.1 KEY TYPES

The link key is a 128-bit random number which is shared between two or more parties and is the base for all security transactions between these parties. The link key itself is used in the authentication routine. Moreover, the link key is used as one of the parameters when the encryption key is derived.

In the following, a session is defined as the time interval for which the device is a member of a particular piconet. Thus, the session terminates when the device disconnects from the piconet.

The link keys are either semi-permanent or temporary. A semi-permanent link key may be stored in non-volatile memory and may be used after the current session is terminated. Consequently, once a semi-permanent link key is defined, it may be used in the authentication of several subsequent connections between the devices sharing it. The designation semi-permanent is justified by the possibility of changing it. How to do this is described in [Section 3.2.7](#).

The lifetime of a temporary link key is limited by the lifetime of the current session – it shall not be reused in a later session. Typically, in a point-to-multipoint configuration where the same information is to be distributed securely to several recipients, a common encryption key is useful. To achieve this, the temporary link key replaces the semi-permanent link keys. The details of this procedure are found in [Section 3.2.6](#).

In the following, the current link key is the link key in use at the current moment. It can be semi-permanent or temporary. Thus, the current link key is used for all authentications and all generation of encryption keys in the on-going connection (session).



In order to accommodate different types of applications, three types of link keys have been defined:

- the combination key K_{AB}
- the temporary key K_{temp}
- the initialization key K_{init}

In addition to these keys there is an encryption key, denoted K_{enc} . This key is derived from the current link key. Whenever encryption is activated by an LM command, the encryption key shall be changed automatically. The purpose of separating the authentication key and encryption key is to facilitate the use of a shorter encryption key without weakening the strength of the authentication procedure. There are no governmental restrictions on the strength of authentication algorithms. However, in some countries, such restrictions exist on the strength of encryption algorithms.

The combination key is derived from information in both devices A and B, and is therefore always dependent on two devices. The combination key is derived for each new combination of two devices.

The temporary link key, K_{temp} , shall only be used during the current session. It shall only replace the original link key temporarily. For example, this may be utilized when a Central wants to reach more than one device simultaneously using the same encryption key, see [Section 3.2.6](#).

The initialization key, K_{init} , shall be used as the link key during the initialization process when no combination keys have been defined and exchanged yet or when a link key has been lost. The initialization key protects the transfer of initialization parameters. The key is derived from a random number, an L-octet PIN code, and a BD_ADDR . This key shall only be used during initialization.

The PIN may be a fixed number provided with the device (for example when there is no user interface as in a PSTN plug). Alternatively, the PIN can be selected by the user, and then entered in both devices that are to be matched. The latter procedure should be used when both devices have a user interface, for example a phone and a laptop. Entering a PIN in both devices is more secure than using a fixed PIN in one of the devices, and should be used whenever possible. Even if a fixed PIN is used, it shall be possible to change the PIN; this is in order to prevent re-initialization by users who once obtained the PIN. If no PIN is available, a default value of zero may be used. The length of this default PIN is one byte, PIN (default) = 0x00. This default PIN may be provided by the Host.

For many applications the PIN code will be a relatively short string of numbers. Typically, it may consist of only four decimal digits. Even though this gives sufficient security in many cases, there exist countless other, more sensitive, situations where this is not reliable enough. Therefore, the PIN code may be chosen to be any length from 1 to 16 octets. For the longer lengths, the devices exchanging PIN codes may use software at the application layer rather than mechanical (i.e. human) interaction. For example, this can be a Diffie-Hellman



key agreement, where the exchanged key is passed on to the K_{init} generation process in both devices, just as in the case of a shorter PIN code.

3.2 KEY GENERATION AND INITIALIZATION

The link keys must be generated and distributed among the devices in order to be used in the authentication procedure. Since the link keys shall be secret, they shall not be obtainable through an inquiry routine in the same way as the Bluetooth Device Addresses. The exchange of the keys takes place during an initialization phase which shall be carried out separately for each two devices that are using authentication and encryption. The initialization procedures consist of the following five parts:

- generation of an initialization key
- generation of link key
- link key exchange
- authentication
- generation of encryption key in each device (optional)

After the initialization procedure, the devices can proceed to communicate, or the link can be disconnected. If encryption is implemented, the E_0 algorithm shall be used with the proper encryption key derived from the current link key. For any new connection established between devices A and B, they should use the common link key for authentication, instead of once more deriving K_{init} from the PIN. A new encryption key derived from that particular link key shall be created next time encryption is activated.

If no link key is available, the LM shall automatically start an initialization procedure.

3.2.1 Generation of initialization key, K_{init}

A link key is used temporarily during initialization, the initialization key K_{init} . This key shall be derived by the E_{22} algorithm from a BD_ADDR, a PIN code, the length of the PIN (in octets), and a random number IN_RAND . The principle is depicted in [Figure 6.4](#). The 128-bit output from E_{22} shall be used for key exchange during the generation of a link key. When the devices have performed the link key exchange, the initialization key shall be discarded.

When the initialization key is generated, the PIN is augmented with the BD_ADDR. If one device has a fixed PIN the BD_ADDR of the other device shall be used. If both devices have a variable PIN the BD_ADDR of the device that received IN_RAND shall be used. If both devices have a fixed PIN they cannot be paired. Since the maximum length of the PIN used in the algorithm cannot exceed 16 octets, it is possible that not all octets of BD_ADDR will be used. This procedure ensures that K_{init} depends on the identity of the device with a variable PIN. A fraudulent device may try to test a large number of PINs by claiming another BD_ADDR each time. It is the application's responsibility to take countermeasures against this threat. If the device address is kept fixed,



the waiting interval before the next try may be increased exponentially (see [Section 5.1](#)).

The details of the E_{22} algorithm can be found in [Section 6.3](#).

3.2.2 Authentication

The legacy authentication procedure shall be carried out as described in [Section 5](#). During each legacy authentication, a new AU_RAND_A shall be issued.

For legacy authentication, mutual authentication is achieved by first performing the authentication procedure in one direction and then immediately performing the authentication procedure in the opposite direction.

The secure authentication procedure is always a mutual authentication. Secure authentication shall be carried out as described in [Section 7.7.8](#). During each secure authentication, new AU_RAND_C and AU_RAND_P shall be used.

As a side effect of a successful authentication procedure an auxiliary parameter, the Authenticated Ciphering Offset (ACO), will be computed. The ACO shall be used for ciphering key generation as described in [Section 3.2.5](#).

The claimant/verifier status is determined by the LM.

3.2.3 [This section is no longer used]

3.2.4 Generation of a combination key

To use a combination key, it is first generated during the initialization procedure. The combination key is the combination of two numbers generated in device A and B, respectively. First, each device shall generate a random number, LK_RAND_A and LK_RAND_B . Then, utilizing E_{21} with the random number and their own BD_ADDRs, the two random numbers

$$LK_K_A = E_{21}(LK_RAND_A, BD_ADDR_A), \quad (\text{EQ 1})$$

and

$$LK_K_B = E_{21}(LK_RAND_B, BD_ADDR_B), \quad (\text{EQ 2})$$

shall be created in device A and device B, respectively. These numbers constitute the devices' contribution to the combination key that is to be created. Then, the two random numbers LK_RAND_A and LK_RAND_B shall be exchanged securely by XORing with the current link key, K . Thus, device A shall send $CA = K \oplus LK_RAND_A$ to device B, while device B shall send $CB = K \oplus LK_RAND_B$ to device A. If this is done during the initialization phase the link key $K = K_{init}$. If CA is identical to CB, then the devices should terminate the process of generating the combination key.



When the random numbers LK_RAND_A and LK_RAND_B have been mutually exchanged, each device shall recalculate the other device's contribution to the combination key. This is possible since each device knows the Bluetooth Device Address of the other device. Thus, device A shall calculate (EQ 2) and device B shall calculate (EQ 1). After this, both devices shall XOR the two numbers to generate the 128-bit link key. The result shall be stored in device A as the link key K_{AB} and in device B as the link key K_{BA} . If the resulting link key consists of all zeroes, then the devices should discard the link key and terminate the process of generating the combination key. When both devices have derived the new combination key, a mutual authentication procedure shall be initiated to confirm the success of the transaction. The old link key shall be discarded after a successful exchange of a new combination key. The message flow between Central and Peripheral and the principle for creating the combination key is depicted in Figure 3.1.

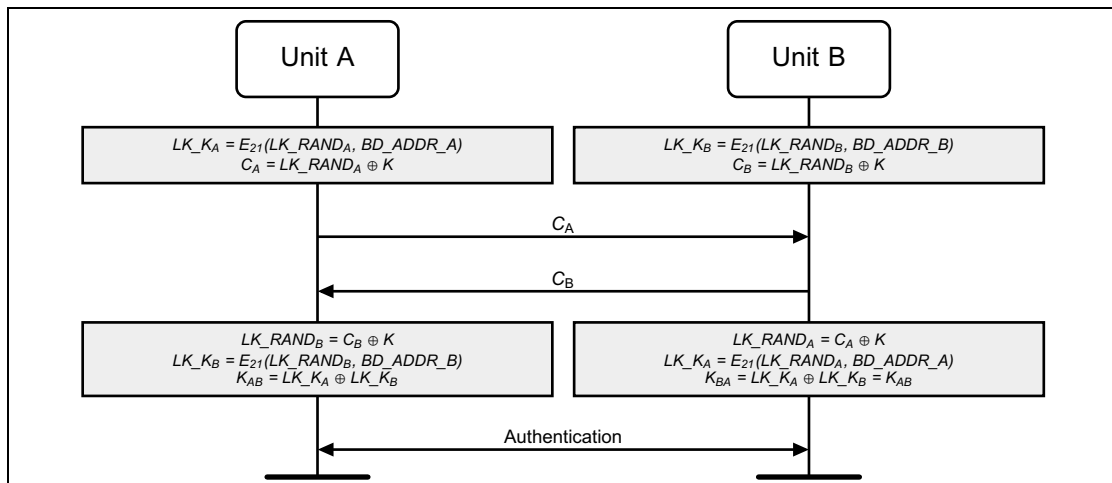


Figure 3.1: Generating a combination key. The old link key (K) is discarded after the exchange of a new combination key has succeeded.

3.2.5 Generating the encryption key

The encryption key, K_{enc} , is derived by algorithm E_3 from the current link key, a 96-bit Ciphering Offset number (COF), and a 128-bit random number. The COF is determined in one of two ways. If the current link key is a temporary link key, then COF shall be derived from the Central's BD_ADDR . Otherwise the value of COF shall be set to the value of ACO as computed during the authentication procedure. Therefore:

$$COF = \begin{cases} BD_ADDR \parallel BD_ADDR, & \text{if link key is a temporary key} \\ ACO, & \text{otherwise.} \end{cases} \quad (EQ 3)$$

There is an explicit call of E_3 when the LM activates encryption. Consequently, the encryption key is automatically changed each time the device enters encryption mode. The details of the key generating function E_3 can be found in Section 6.4.



3.2.6 Point-to-multipoint configuration

It is possible for the Central to use separate encryption keys for each Peripheral in a point-to-multipoint configuration with ciphering activated. Then, if the application requires more than one Peripheral to listen to the same payload, each Peripheral must be addressed individually. This can cause unwanted capacity loss for the piconet. Moreover, a Peripheral might not be capable of switching between two or more encryption keys in real time (e.g., after looking at the LT_ADDR in the header). Thus, the Central cannot use different encryption keys for broadcast messages and individually addressed traffic. Therefore, the Central may tell several Peripherals to use a common link key (and, hence, indirectly also to use a common encryption key) and may then broadcast the information encrypted. For many applications, this key is only of temporary interest. In the following discussion, this key is denoted by K_{temp} .

The transfer of necessary parameters shall be protected by the routine described in [Section 3.2.8](#). After the confirmation of successful reception in each Peripheral, the Central shall issue a command to the Peripherals to replace their respective current link key by the new temporary link key. Before encryption can be activated, the Central shall also generate and distribute a common EN_RAND to all participating Peripherals. Using this random number and the newly derived temporary link key, each Peripheral shall generate a new encryption key.

The Central negotiates the encryption key length to use individually with each Peripheral that will use the temporary link key. If the Central has already negotiated with some of these Peripherals, it has knowledge of the sizes that can be accepted. There may be situations where the permitted key lengths of some devices are incompatible. In that case, the Central shall exclude the limiting device from the group.

When all Peripherals have received the necessary data, the Central can communicate information on the piconet securely using the encryption key derived from the new temporary link key. Each Peripheral in possession of the temporary link key can eavesdrop on all encrypted traffic, not only the traffic intended for itself. The Central may tell all participants to fall back to their old link keys simultaneously.

3.2.7 Modifying the link keys

If the key change concerns combination keys, then the procedure is straightforward. The change procedure is identical to the procedure described in [Figure 3.1](#), using the current value of the combination key as link key. This procedure can be carried out at any time after the authentication and encryption start. Since the combination key corresponds to a single link, it can be modified each time this link is established. This will improve the security of the system since then old keys lose their validity after each session.



Starting up an entirely new initialization procedure is also possible. In that case, user interaction is necessary since a PIN will be required in the authentication and encryption procedures.

3.2.8 Generating a temporary link key

The key-change routines described so far are semi-permanent. To create the temporary link key, which can replace the current link key during a session (see [Section 3.2.6](#)), other means are needed. First, the Central shall create a new link key from two 128-bit random numbers, RAND1 and RAND2. This shall be done by

$$K_temp = E_{22}(RAND1, RAND2, 16). \quad (EQ 4)$$

This key is a 128-bit random number. The reason for using the output of E_{22} and not directly choosing a random number as the key, is to avoid possible problems with degraded randomness due to a poor implementation of the random number generator within the device.

Then, a third random number, RAND, shall be transmitted to the Peripheral. Using E_{22} with the current link key and RAND as inputs, both the Central and the Peripheral shall compute a 128-bit overlay. The Central shall send the bitwise XOR of the overlay and the new link key to the Peripheral. The Peripheral, who knows the overlay, shall recalculate K_temp . To confirm the success of this transaction, the devices shall perform a mutual authentication procedure using the new link key. This procedure shall then be repeated for each Peripheral that receives the new link key. The ACO values from the authentications shall not replace the current ACO, as this ACO is needed to (re)compute a ciphering key when the Central falls back to the previous (semi-permanent) link key.

The Central activates encryption by an LM command. Before activating encryption, the Central shall ensure that all Peripherals receive the same random number, EN_RANDOM, since the encryption key is derived through the means of E_3 individually in all participating devices. Each Peripheral shall compute a new encryption key as follows:

$$K_enc = E_3(K_temp, EN_RAND, COF) \quad (EQ 5)$$

where the value of COF shall be derived from the Central's BD_ADDR as specified by equation [\(EQ 3\)](#). The details of the encryption key generating function are described in [Section 6.4](#). The message flow between the Central and the Peripheral when generating the temporary link key is depicted in [Figure 3.2](#).



Note: In this case the ACO produced during the authentication is not used when computing the ciphering key.

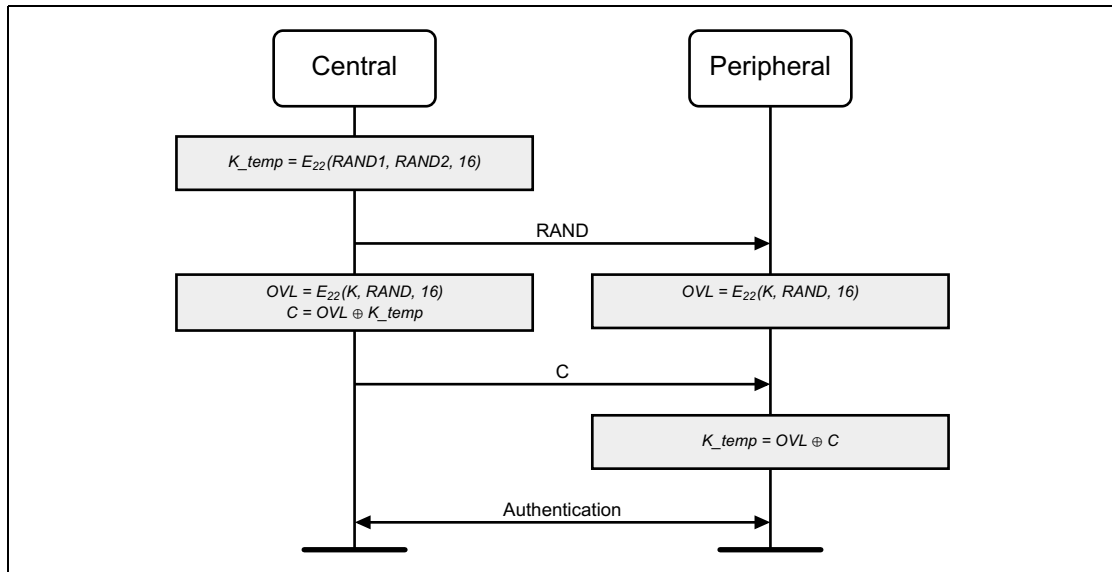


Figure 3.2: Temporary link key distribution and computation of the corresponding encryption key

4 ENCRYPTION (E0)

User information can be protected by encryption of the packet payload; the access code and the packet header shall never be encrypted. The encryption of the payload shall be carried out with a stream cipher called E_0 that shall be re-synchronized for every payload. The overall principle is shown in [Figure 4.1](#).

The stream cipher system E_0 shall consist of three parts:

- the first part performs initialization (generation of the session key). The session key generator shall combine the input bits in an appropriate order and shall shift them into the four LFSRs used in the key stream generator.
- the second part generates the key stream bits and shall use a method derived from the summation stream cipher generator attributable to Massey and Rueppel. The second part is the main part of the cipher system, as it will also be used for initialization.
- the third part performs encryption and decryption.

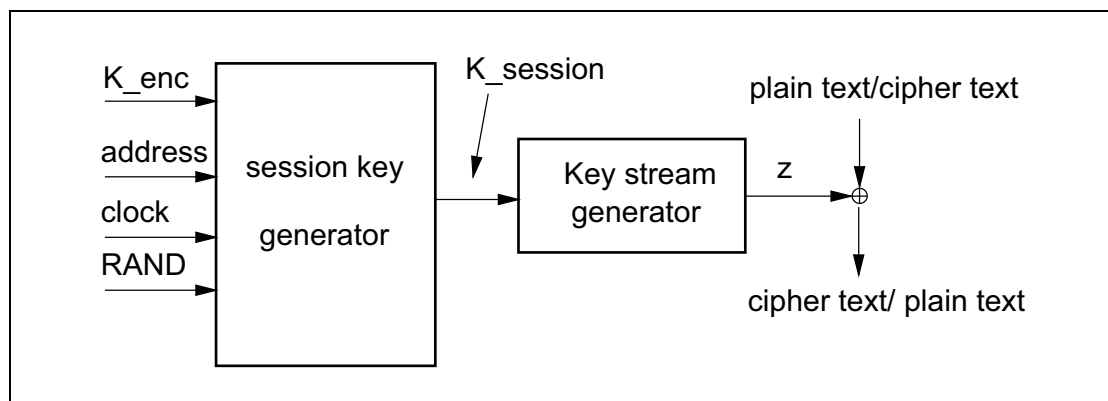


Figure 4.1: Stream ciphering for Bluetooth with E_0 .

4.1 ENCRYPTION KEY SIZE NEGOTIATION

Each device implementing the Baseband specification shall have a parameter defining the maximal allowed key length, L_{\max} , $1 \leq L_{\max} \leq 16$ (number of octets in the key). For each application using encryption, a number L_{\min} shall be defined indicating the shortest acceptable key size for that particular application. Before generating the encryption key, the devices involved shall negotiate to decide the key size to use.

The Central shall send a suggested value, $L_{\text{sug_c}}$, to the Peripheral. Initially, the suggested value shall be set to $L_{\text{max_c}}$. If $L_{\text{min_p}} \leq L_{\text{sug_c}}$, and, the Peripheral supports the suggested length, the Peripheral shall acknowledge and this value shall be the length of the encryption key for this link. However, if both conditions are not fulfilled, the Peripheral shall send a new proposal, $L_{\text{sug_p}} < L_{\text{sug_c}}$, to the Central. This value shall be the largest among all supported lengths less than the previous Central suggestion. Then, the Central



shall perform the corresponding test on the Peripheral suggestion. This procedure shall be repeated until a key length agreement is reached, or, one device aborts the negotiation. An abort may be caused by lack of support for L_sug and all smaller key lengths, or if $L_sug < L_min$ in one of the devices. In case of an abort link encryption cannot be employed.

The possibility of a failure in setting up a secure link is an unavoidable consequence of letting the application decide whether to accept or reject a suggested key size. However, this is a necessary precaution. Otherwise a fraudulent device could enforce a weak protection on a link by claiming a short maximum key size.

4.2 ENCRYPTION OF BROADCAST MESSAGES

There may be three settings for the Baseband regarding encryption:

1. No encryption.
This is the default setting. No messages are encrypted
2. Point-to-point only encryption.
Broadcast messages are not encrypted. This may be enabled either during the connection establishment procedure or after the connection has been established.
3. Point-to-point and broadcast encryption.
All messages are encrypted. This may be enabled after the connection has been established only. This setting should not be enabled unless all affected links share the same temporary link key as well as the same EN_RANDOM value, both used in generating the encryption key.

Broadcast traffic	Individually addressed traffic
No encryption	No encryption
No encryption	Encryption (semi-permanent link key)
Encryption (temporary link key)	Encryption (temporary link key)

Table 4.1: Possible encryption modes for a Peripheral in possession of a temporary link key

4.3 ENCRYPTION CONCEPT

For the encryption routine, a stream cipher algorithm is used in which ciphering bits are XORed with the data stream to be sent over the air interface. The payload is ciphered after the CRC bits are appended, but, prior to the FEC encoding.

Each packet payload shall be ciphered separately. The cipher algorithm E_0 uses the Central’s Bluetooth Device Address (BD_ADDR_C), 26 bits of the Central real-time clock (CLK₂₆₋₁) and the encryption key K_{enc} as input, see [Figure 4.2](#).



The encryption key K_{enc} is derived from the current link key, COF, and a random number, EN_RAND_C (see Section 6.4). The random number shall be issued by the Central before entering encryption mode.

Note: EN_RAND_C is publicly known since it is transmitted as plain text over the air.

Within the E_0 algorithm, the encryption key K_{enc} is modified into another key denoted $K_{session}$. The maximum effective size of this key shall be factory preset and may be set to any multiple of eight between one and sixteen (i.e. 8 to 128 bits). The procedure for deriving the key is described in Section 4.5.

The real-time clock is incremented for each slot. The E_0 algorithm shall be re-initialized at the start of each new packet (i.e. for Central-to-Peripheral as well as for Peripheral-to-Central transmission). By using CLK_{26-1} at least one bit is changed between two transmissions. Thus, a new keystream is generated after each re-initialization. For packets covering more than a single slot, the Bluetooth clock as found in the first slot shall be used for the entire packet.

The encryption algorithm E_0 generates a binary keystream, K_{cipher} , which shall be XORed with the data to be encrypted. The cipher is symmetric; decryption shall be performed in exactly the same way using the same key as used for encryption.

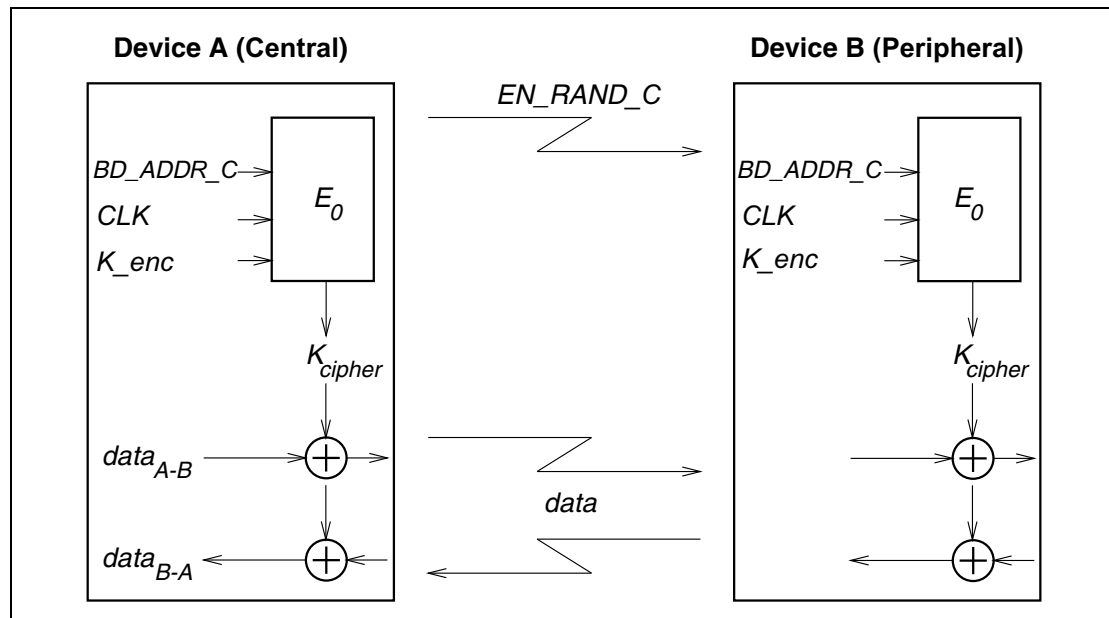


Figure 4.2: Functional description of the encryption procedure

4.4 ENCRYPTION ALGORITHM

The system uses linear feedback shift registers (LFSRs) whose output is combined by a simple finite state machine (called the summation combiner) with 16 states. The output of this state machine is the key stream sequence, or, during initialization phase, the randomized initial start value. The algorithm



uses an encryption key K_{enc} , a 48-bit Bluetooth address, the Central's clock bits CLK_{26-1} , and a 128-bit RAND value. Figure 4.3 shows the setup.

There are four LFSRs ($LFSR_1, \dots, LFSR_4$) of lengths $L_1 = 25$, $L_2 = 31$, $L_3 = 33$, and, $L_4 = 39$, with feedback polynomials as specified in Table 4.2. The total length of the registers is 128. These polynomials are all primitive. The Hamming weight of all the feedback polynomials is five.

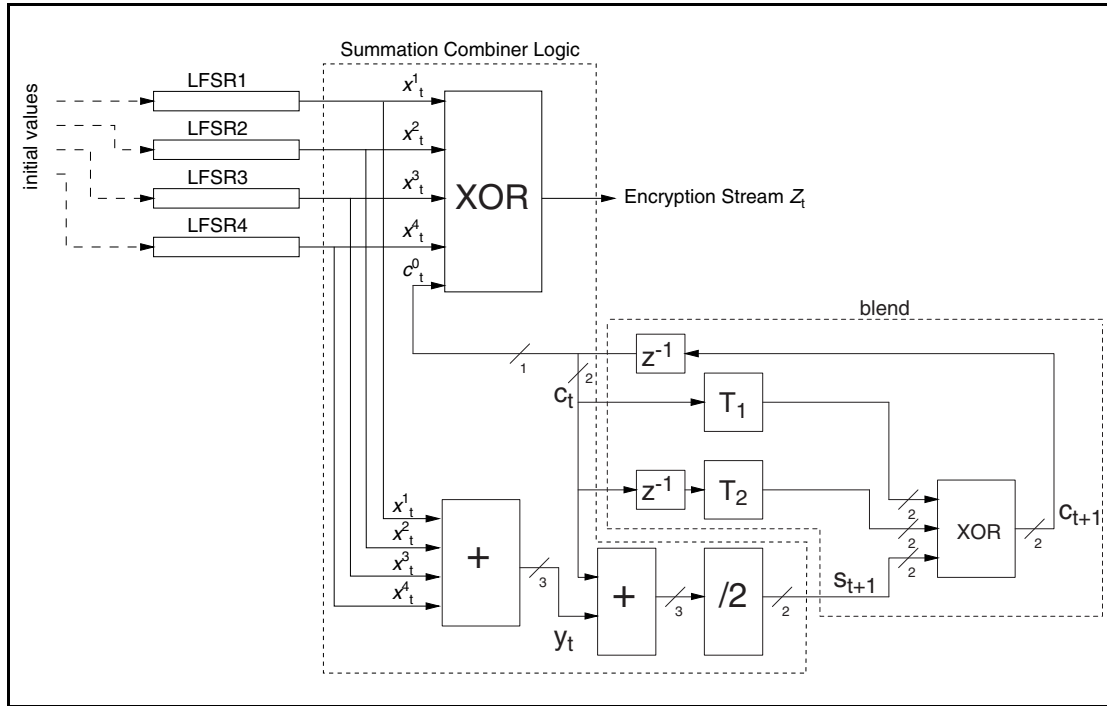


Figure 4.3: Concept of the encryption engine

i	L_i	feedback $f_i(t)$	weight
1	25	$t^{25} + t^{20} + t^{12} + t^8 + 1$	5
2	31	$t^{31} + t^{24} + t^{16} + t^{12} + 1$	5
3	33	$t^{33} + t^{28} + t^{24} + t^4 + 1$	5
4	39	$t^{39} + t^{36} + t^{28} + t^4 + 1$	5

Table 4.2: The four primitive feedback polynomials

Let x_t^i denote the t^{th} symbol of $LFSR_i$. The value y_t is derived from the four-tuple x_t^1, \dots, x_t^4 using the following equation:

$$y_t = \sum_{i=1}^4 x_t^i, \tag{EQ 6}$$



where the sum is over the integers. Thus y_t can take the values 0,1,2,3, or 4. The output of the summation generator is obtained by the following equations:

$$z_t = x_t^1 \oplus x_t^2 \oplus x_t^3 \oplus x_t^4 \oplus c_t^0 \in \{0, 1\}, \tag{EQ 7}$$

$$s_{t+1} = (s_{t+1}^1, s_{t+1}^0) = \left\lfloor \frac{y_t + c_t}{2} \right\rfloor \in \{0, 1, 2, 3\}, \tag{EQ 8}$$

$$c_{t+1} = (c_{t+1}^1, c_{t+1}^0) = s_{t+1} \oplus T_1[c_t] \oplus T_2[c_{t-1}], \tag{EQ 9}$$

where $T_1[.]$ and $T_2[.]$ are two different linear bijections over GF(4). Suppose GF(4) is generated by the irreducible polynomial $x^2 + x + 1$, and let α be a zero of this polynomial in GF(4). The mappings T_1 and T_2 are now defined as:

$$T_1: \text{GF}(4) \rightarrow \text{GF}(4)$$

$$x \mapsto x$$

$$T_2: \text{GF}(4) \rightarrow \text{GF}(4)$$

$$x \mapsto (\alpha + 1)x.$$

The elements of GF(4) can be written as binary vectors. This is summarized in [Table 4.3](#).

x	$T_1[x]$	$T_2[x]$
00	00	00
01	01	11
10	10	01
11	11	10

Table 4.3: The mappings T_1 and T_2

Since the mappings are linear, they can be implemented using XOR gates; i.e.

$$T_1: (x_1, x_0) \mapsto (x_1, x_0),$$

$$T_2: (x_1, x_0) \mapsto (x_0, x_1 \oplus x_0).$$

4.4.1 The operation of the cipher

[Figure 4.4](#) gives an overview of the operation in time. The encryption algorithm shall run through the initialization phase before the start of transmission or reception of a new packet. Thus, for multislot packets the cipher is initialized using the clock value of the first slot in the multislot sequence.

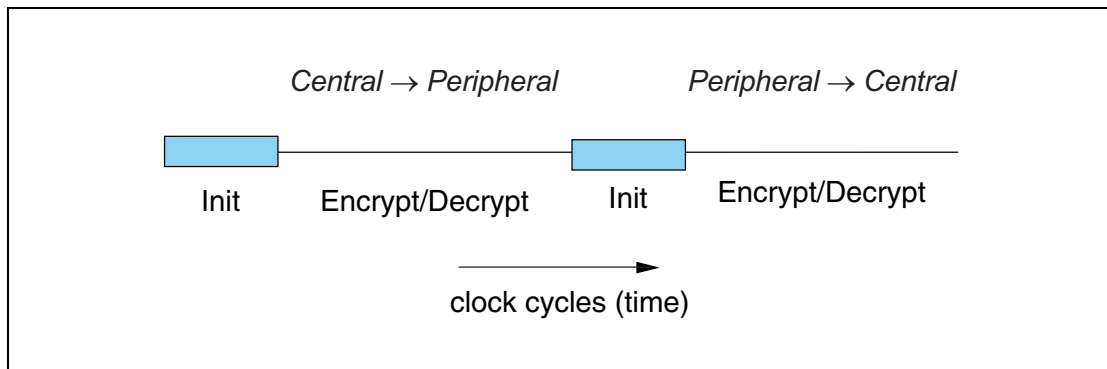


Figure 4.4: Overview of the operation of the encryption engine. Between each start of a packet (TX or RX), the LFSRs are re-initialized.

4.5 LFSR INITIALIZATION

The key stream generator is loaded with an initial value for the four LFSRs (in total 128 bits) and the 4 bits that specify the values of c_0 and c_{-1} . The 132 bit initial value is derived from four inputs by using the key stream generator. The input parameters are the key K_{enc} , a 128-bit random number $RAND$, a 48-bit Bluetooth Device Address, and the 26 Central's clock bits CLK_{26-1} .

The effective length of the encryption key may vary between 8 and 128 bits. The actual key length as obtained from E_3 is 128 bits. Then, within E_0 , the key length may be reduced by a *mod* operation between K_{enc} and a polynomial of desired degree. After reduction, the result is encoded with a block code in order to distribute the starting states more uniformly. The operation shall be as defined in (EQ 10).

When the encryption key has been created the LFSRs are loaded with their initial values. Then, 200 stream cipher bits are created by operating the generator. Of these bits, the last 128 are fed back into the key stream generator as an initial value of the four LFSRs. The values of c_t and c_{t-1} are kept. From this point on, when clocked the generator produces the encryption (decryption) sequence which is bitwise XORed to the transmitted (received) payload data.

In the following, octet i of a binary sequence X is $X[i]$. Bit 0 of X is the LSB. Then, the LSB of $X[i]$ corresponds to bit $8i$ of the sequence X , the MSB of $X[i]$ is bit $8i + 7$ of X . For instance, bit 24 of the Bluetooth Device Address is the LSB of $BD_ADDR[3]$.



The details of the initialization shall be as follows:

1. Create the encryption key to use from the 128-bit secret key K_{enc} and the 128-bit publicly known EN_RAND . Let $L, 1 \leq L \leq 16$, be the effective key length in number of octets. The resulting encryption key is $K_{session}$:

$$K_{session}(x) = g_2^{(L)}(x)(K_{enc}(x) \bmod g_1^{(L)}(x)), \quad (\text{EQ 10})$$

where $\deg(g_1^{(L)}(x)) = 8L$ and $\deg(g_2^{(L)}(x)) \leq 128 - 8L$. The polynomials are defined in [Table 4.4](#).

2. Shift the 3 inputs $K_{session}$, the Bluetooth Device Address, the clock, and the six-bit constant 111001 into the LFSRs. In total, 208 bits are shifted in:
 - a) Open all switches shown in [Figure 4.5](#);
 - b) Arrange inputs bits as shown in [Figure 4.5](#); Set the content of all shift register elements to zero. Set $t = 0$.
 - c) Start shifting bits into the LFSRs. The rightmost bit at each level of [Figure 4.5](#) is the first bit to enter the corresponding LFSR.
 - d) When the first input bit at level i reaches the rightmost position of $LFSR_i$, close the switch of this LFSR.
 - e) At $t = 39$ (when the switch of $LFSR_4$ is closed), reset both blend registers $c_{39} = c_{39-1} = 0$; Up to this point, the content of c_t and c_{t-1} has been of no concern. However, their content will now be used in computing the output sequence.
 - f) From now on output symbols are generated. The remaining input bits are continuously shifted into their corresponding shift registers. When the last bit has been shifted in, the shift register is clocked with input = 0;

Note: When finished, $LFSR_1$ has effectively clocked 30 times with feedback closed, $LFSR_2$ has clocked 24 times, $LFSR_3$ has clocked 22 times, and $LFSR_4$ has effectively clocked 16 times with feedback closed.
3. To mix initial data, continue to clock until 200 symbols have been produced with all switches closed ($t = 239$);
4. Keep blend registers c_t and c_{t-1} , make a parallel load of the last 128 generated bits into the LFSRs according to [Figure 4.6](#) at $t = 240$;

After the parallel load in item 4, the blend register contents shall be updated for each subsequent clock.



L	deg	$g_1^{(L)}$	deg	$g_2^{(L)}$
1	[8]	00000000 00000000 00000000 0000011d	[119]	00e275a0 abd218d4 cf928b9b bf6cb08f
2	[16]	00000000 00000000 00000000 0001003f	[112]	0001e3f6 3d7659b3 7f18c258 cff6efef
3	[24]	00000000 00000000 00000000 010000db	[104]	000001be f66c6c3a b1030a5a 1919808b
4	[32]	00000000 00000000 00000001 000000af	[96]	00000001 6ab89969 de17467f d3736ad9
5	[40]	00000000 00000000 00000100 00000039	[88]	00000000 01630632 91da50ec 55715247
6	[48]	00000000 00000000 00010000 00000291	[77]	00000000 00002c93 52aa6cc0 54468311
7	[56]	00000000 00000000 01000000 00000095	[71]	00000000 000000b3 f7fffce2 79f3a073
8	[64]	00000000 00000001 00000000 0000001b	[63]	00000000 00000000 a1ab815b c7ec8025
9	[72]	00000000 00000100 00000000 00000609	[49]	00000000 00000000 0002c980 11d8b04d
10	[80]	00000000 00010000 00000000 00000215	[42]	00000000 00000000 0000058e 24f9a4bb
11	[88]	00000000 01000000 00000000 0000013b	[35]	00000000 00000000 0000000c a76024d7
12	[96]	00000001 00000000 00000000 000000dd	[28]	00000000 00000000 00000000 1c9c26b9
13	[104]	00000100 00000000 00000000 0000049d	[21]	00000000 00000000 00000000 0026d9e3
14	[112]	00010000 00000000 00000000 0000014f	[14]	00000000 00000000 00000000 00004377
15	[120]	01000000 00000000 00000000 000000e7	[7]	00000000 00000000 00000000 00000089
16	[128]	1 00000000 00000000 00000000 00000000	[0]	00000000 00000000 00000000 00000001

Table 4.4: Polynomials used when creating $K_{session}^1$

1. All polynomials are in hexadecimal notation. The LSB is in the rightmost position.

In Figure 4.5, all bits are shifted into the LFSRs, starting with the least significant bit (LSB). For instance, from the third octet of the address, $BD_ADDR[2]$, first BD_ADDR_{16} is entered, followed by BD_ADDR_{17} , etc. Furthermore, CL_0 corresponds to CLK_1, \dots, CL_{25} corresponds to CLK_{26} .

Note: The output symbols $x_i^j, i = 1, \dots, 4$ are taken from the positions 24, 24, 32, and 32 for $LFSR_1, LFSR_2, LFSR_3,$ and $LFSR_4$, respectively (counting the leftmost position as number 1).

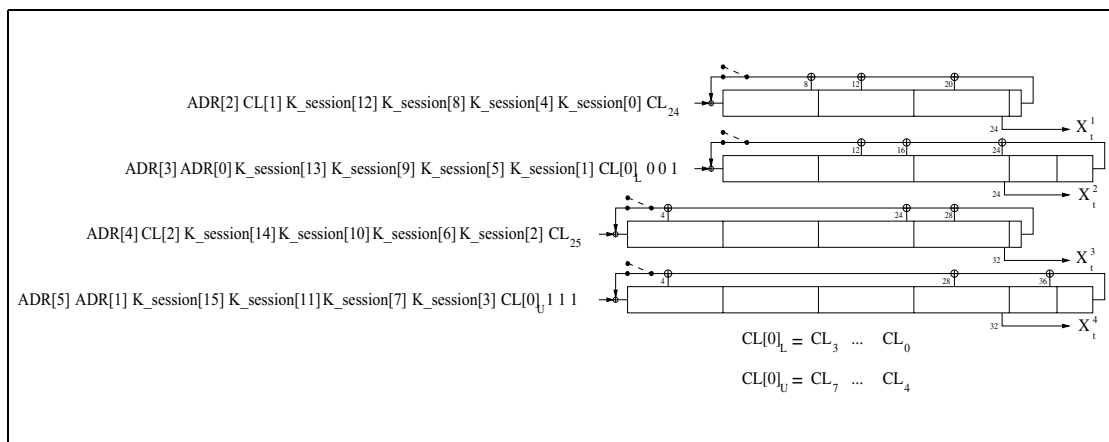


Figure 4.5: Arranging the input to the LFSRs



In [Figure 4.6](#), the 128 binary output symbols Z_0, \dots, Z_{127} are arranged in octets denoted $Z[0], \dots, Z[15]$. The LSB of $Z[0]$ corresponds to the first of these symbols, the MSB of $Z[15]$ is the last output from the generator. These bits shall be loaded into the LFSRs according to the figure. It is a parallel load and no update of the blend registers is done. The first output symbol is generated at the same time. The octets shall be written into the registers with the LSB in the leftmost position (i.e. the opposite of before). For example, Z_{24} is loaded into position 1 of $LFSR_4$.

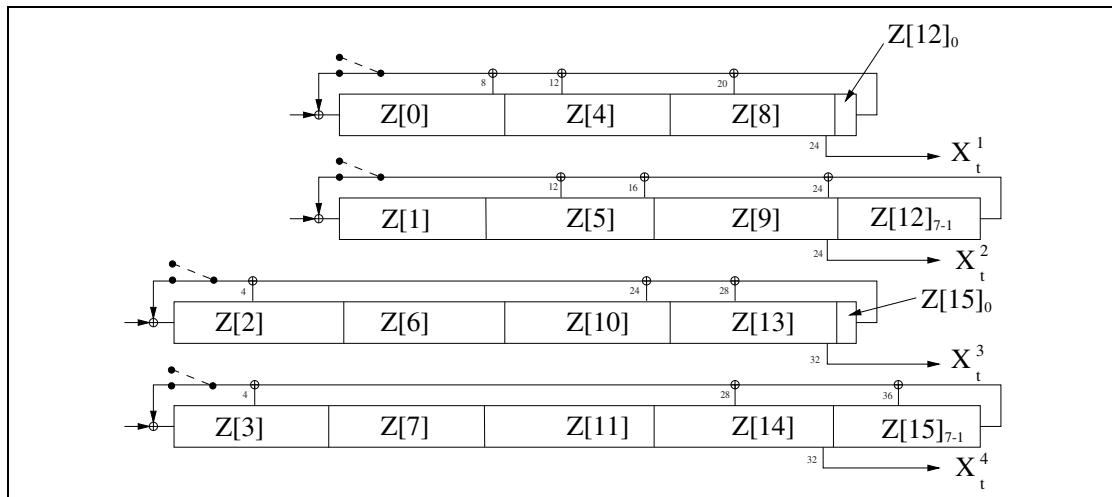


Figure 4.6: Distribution of the 128 last generated output symbols within the LFSRs.

4.6 KEY STREAM SEQUENCE

When the initialization is finished, the output from the summation combiner is used for encryption/decryption. The first bit to use shall be the one produced at the parallel load, i.e. at $t = 240$. The circuit shall be run for the entire length of the current payload. Then, before the reverse direction is started, the entire initialization process shall be repeated with updated values on the input parameters.

Sample data of the encryption output sequence can be found in [\[Vol 2\] Part G, Section 1.1](#). A necessary, but not sufficient, condition for all Bluetooth compliant implementations of encryption is to produce these encryption streams for identical initialization values.

5 AUTHENTICATION

Legacy authentication uses a challenge-response scheme in which a claimant's knowledge of a secret key is checked through a 2-move protocol using symmetric secret keys. The latter implies that a correct claimant/verifier pair share the same secret key, for example K . In the challenge-response scheme the verifier challenges the claimant to authenticate a random input (the challenge), denoted by AU_RAND_A , with an authentication code, denoted by E_1 , and return the result $SRES$ to the verifier, see Figure 5.1. This figure also shows that the input to E_1 consists of the tuple AU_RAND_A and the Bluetooth Device Address (BD_ADDR_B) of the claimant. The use of this address prevents a simple reflection attack¹. The secret K shared by devices A and B is the current link key.

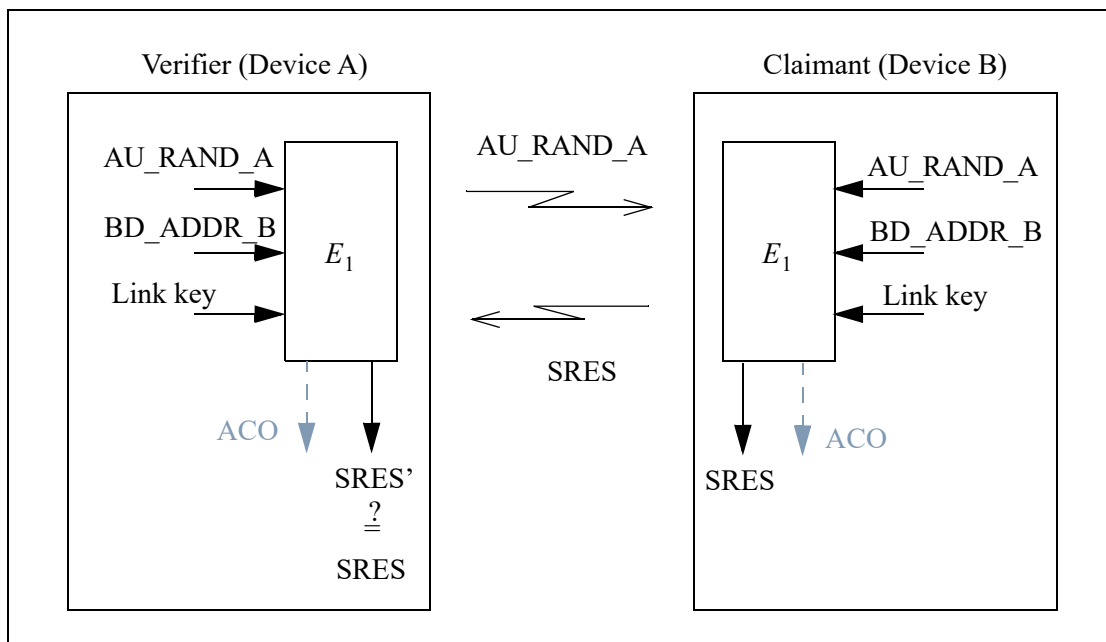


Figure 5.1: Challenge-response for the Bluetooth.

1. The reflection attack actually forms no threat because all service requests are dealt with on a FIFO basis. When preemption is introduced, this attack is potentially dangerous.



The challenge-response scheme for symmetric keys in legacy authentication is depicted in [Figure 5.2](#).

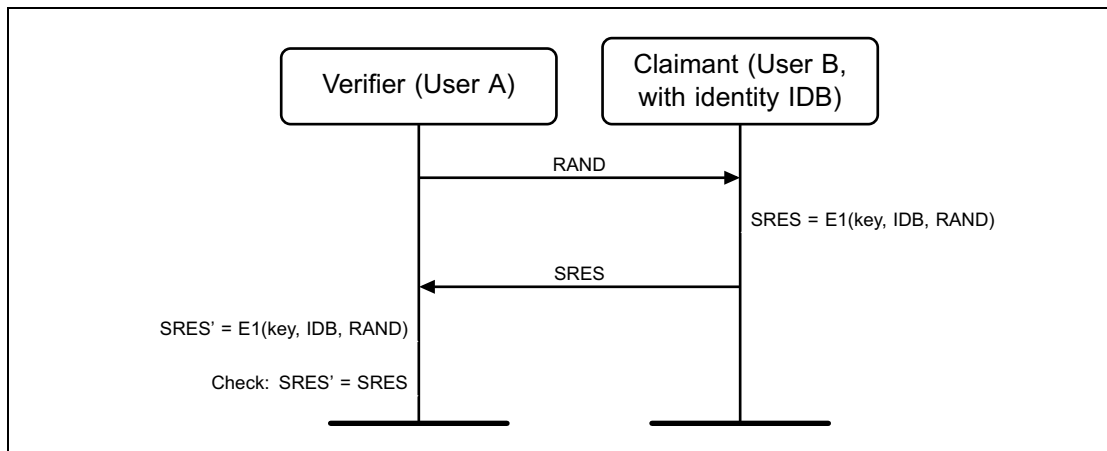


Figure 5.2: Challenge-response for symmetric key systems.

In legacy authentication, the verifier is not required to be the Central. The application indicates which device has to be authenticated. Some applications only require a one-way authentication. However, some peer-to-peer communications, should use a mutual authentication in which each device is subsequently the challenger (verifier) in two authentication procedures. The LM shall process authentication preferences from the application to determine in which direction(s) the authentication(s) takes place. For mutual authentication with the devices of [Figure 5.1](#), after device A has successfully authenticated device B, device B could authenticate device A by sending an AU_RANDOM_B (different from the AU_RANDOM_A that device A issued) to device A, and deriving the SRES and SRES' from the new AU_RANDOM_B, the address of device A, and the link key K_{AB} .

If a legacy authentication is successful the value of ACO as produced by E_1 shall be retained.

Secure Authentication uses a challenge-response scheme in which both devices act as a verifier and claimant in the same sequence where the knowledge of a secret key is checked through a 4-move protocol using symmetric secret keys. The latter implies that a correct claimant/verifier pair share the same secret key, for example K. In the challenge-response scheme the Central challenges the Peripheral to authenticate a random input (the challenge), denoted by AU_RANDOM_C, with an authentication code, denoted by h4 and h5, and return the resulting SRES_P to the verifier, see [Figure 5.3](#). Similarly, the Peripheral challenges the Central to authenticate a random input (the challenge), denoted AU_RANDOM_P, with an authentication code, denoted by h4 and h5, and return the resulting SRES_C to the verifier. This figure also shows that the inputs to h4 and h5 consist of a secret, a string “btdk”, the Bluetooth Device Address of the Central (BD_ADDR_C), and the Bluetooth Device Address of the Peripheral (BD_ADDR_P). The use of these addresses



prevents a simple reflection attack. The secret K shared by the Central and Peripheral is the current link key.

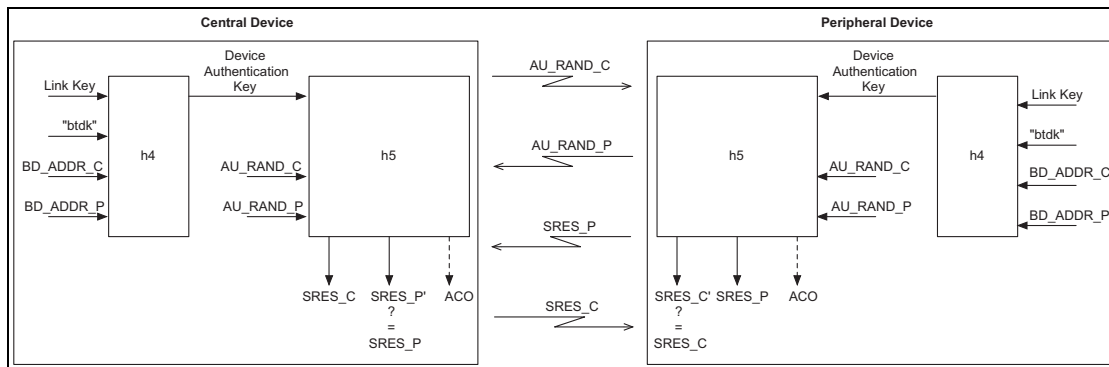


Figure 5.3: Challenge and response for secure authentication.

The challenge-response scheme for symmetric keys in secure authentication when initiated by the Central is depicted in Figure 5.4.

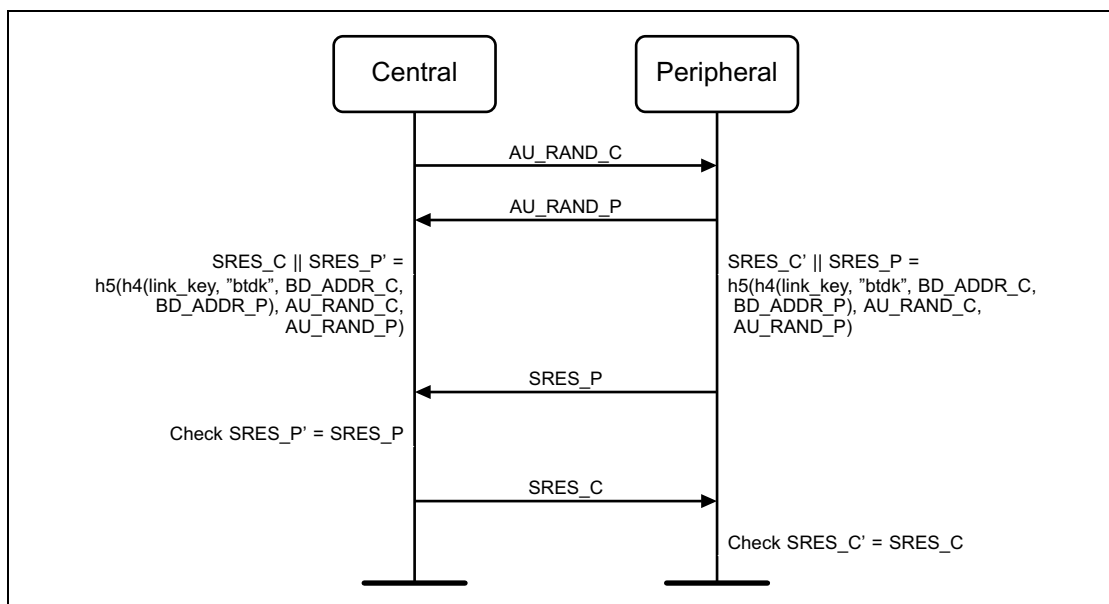


Figure 5.4: Challenge-response for secure authentication.

For the purposes of this authentication protocol the roles used are those applying when the initiating device sends its AU_RAND to the responder, irrespective of whether a role switch happens during the protocol. The device that sends AU_RAND_C shall check $SRES_P$ and the device that sends AU_RAND_P shall check $SRES_C$. Alternatively, the device may reject the request for a role switch during the protocol.

In secure authentication, both the Central and Peripheral are the verifier and claimant. The application indicates which device has to be authenticated, but secure authentication is always a mutual authentication.



If a secure authentication is successful the value of ACO as produced by h5 shall be retained.

5.1 REPEATED ATTEMPTS

When the authentication attempt fails, a waiting interval shall pass before the verifier will initiate a new authentication attempt to the same claimant, or before it will respond to an authentication attempt initiated by a device claiming the same identity as the failed device. For each subsequent authentication failure, the waiting interval shall be increased exponentially. For example, after each failure, the waiting interval before a new attempt can be made could be twice as long as the waiting interval prior to the previous attempt¹. The waiting interval shall be limited to a maximum.

The maximum waiting interval depends on the implementation. The waiting time shall exponentially decrease to a minimum when no new failed attempts are made during a certain time period. This procedure restricts the rate at which an intruder can repeat the authentication procedure with different keys.

To protect a device's private key, a device should implement a method to prevent an attacker from retrieving useful information about the device's private key. For this purpose, a device should change its private key after every pairing (successful or failed). Otherwise, it should change its private key whenever $S + 3F > 8$, where S is the number of successful pairings and F the number of failed attempts since the key was last changed.

1. Another appropriate value larger than 1 may be used.

6 THE AUTHENTICATION AND KEY-GENERATING FUNCTIONS

This section describes the algorithms used for authentication and key generation.

6.1 THE AUTHENTICATION FUNCTION E_1

The authentication function E_1 is a computationally secure authentication code. E_1 uses the encryption function SAFER+. The algorithm is an enhanced version of an existing 64-bit block cipher SAFER-SK128, and it is freely available. In the following discussion, the block cipher will be denoted as the function A_r , which maps using a 128-bit key, a 128-bit input to a 128-bit output, i.e.

$$A_r: \{0, 1\}^{128} \times \{0, 1\}^{128} \rightarrow \{0, 1\}^{128} \quad (\text{EQ 11})$$

$$(k \times x) \mapsto t.$$

The details of A_r are given in the next section. The function E_1 is constructed using A_r as follows

$$E_1: \{0, 1\}^{128} \times \{0, 1\}^{128} \times \{0, 1\}^{48} \rightarrow \{0, 1\}^{32} \times \{0, 1\}^{96} \quad (\text{EQ 12})$$

$$(K, \text{RAND}, \text{address}) \mapsto (\text{SRES}, \text{ACO}),$$

where $\text{SRES} = \text{Hash}(K, \text{RAND}, \text{address}, 6)[0, \dots, 3]$, where Hash is a keyed hash function defined as¹,

$$\text{Hash}: \{0, 1\}^{128} \times \{0, 1\}^{128} \times \{0, 1\}^{8 \times L} \times \{6, 12\} \rightarrow \{0, 1\}^{128} \quad (\text{EQ 13})$$

$$(K, I_1, I_2, L) \mapsto A'_r([\tilde{K}], [E(I_2, L) +_{16} (A_r(K, I_1) \oplus_{16} I_1)]),$$

and where

$$E: \{0, 1\}^{8 \times L} \times \{6, 12\} \rightarrow \{0, 1\}^{8 \times 16} \quad (\text{EQ 14})$$

$$(X[0, \dots, L-1], L) \mapsto (X[i \pmod L]) \text{ for } i = 0 \dots 15),$$

is an expansion of the L octet word X into a 128-bit word. The function A_r is evaluated twice for each evaluation of E_1 . The key \tilde{K} for the second use of A_r (actually A'_r) is offset from K as follows²

1. The operator $+_{16}$ denotes bitwise addition $\text{mod } 256$ of the 16 octets, and the operator \oplus_{16} denotes bitwise XORing of the 16 octets.
2. The constants are the largest primes below 257 for which 10 is a primitive root.



$$\begin{aligned}
 \tilde{K}[0] &= (K[0] + 233) \bmod 256, & \tilde{K}[1] &= K[1] \oplus 229, \\
 \tilde{K}[2] &= (K[2] + 223) \bmod 256, & \tilde{K}[3] &= K[3] \oplus 193, \\
 \tilde{K}[4] &= (K[4] + 179) \bmod 256, & \tilde{K}[5] &= K[5] \oplus 167, \\
 \tilde{K}[6] &= (K[6] + 149) \bmod 256, & \tilde{K}[7] &= K[7] \oplus 131, \\
 \tilde{K}[8] &= K[8] \oplus 233, & \tilde{K}[9] &= (K[9] + 229) \bmod 256, \\
 \tilde{K}[10] &= K[10] \oplus 223, & \tilde{K}[11] &= (K[11] + 193) \bmod 256, \\
 \tilde{K}[12] &= K[12] \oplus 179, & \tilde{K}[13] &= (K[13] + 167) \bmod 256, \\
 \tilde{K}[14] &= K[14] \oplus 149, & \tilde{K}[15] &= (K[15] + 131) \bmod 256,
 \end{aligned}
 \tag{EQ 15}$$

A data flowchart of the computation of E_1 is shown in Figure 6.1. E_1 is also used to deliver the parameter ACO (Authenticated Ciphering Offset) that is used in the generation of the ciphering key by E_3 , see equations (EQ 3) and (EQ 23). The value of ACO is formed by octets 4 to 15 of the output of the hash function defined in (EQ 13):

$$ACO = Hash(K, RAND, address, 6)[4, \dots, 15].
 \tag{EQ 16}$$

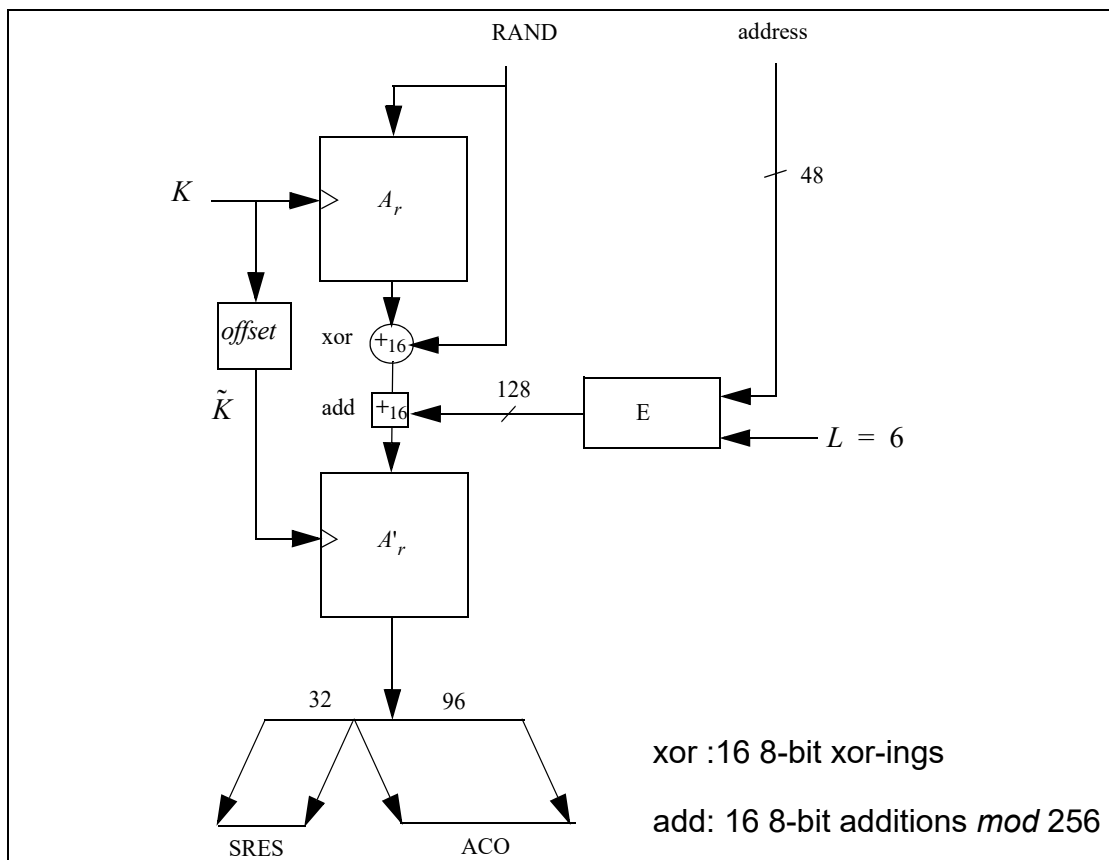


Figure 6.1: Flow of data for the computation of E_1



6.2 THE FUNCTIONS A_r AND A'_r

The function A_r is identical to SAFER+. It consists of a set of 8 layers, (each layer is called a round) and a parallel mechanism for generating the sub keys $K_p[j]$, $p = 1, 2, \dots, 17$, which are the round keys to be used in each round. The function will produce a 128-bit result from a 128-bit random input string and a 128-bit key. Besides the function A_r , a slightly modified version referred to as A'_r is used in which the input of round 1 is added to the input of round 3. This is done to make the modified version non-invertible and prevents the use of A'_r (especially in E_{2x}) as an encryption function. See [Figure 6.2](#) for details.

6.2.1 The round computations

The computations in each round are a composition of encryption with a round key, substitution, encryption with the next round key, and, finally, a Pseudo Hadamard Transform (PHT). The computations in a round shall be as shown in [Figure 6.2](#). The sub keys for round r , $r = 1, 2, \dots, 8$ are denoted $K_{2r-1}[j]$, $K_{2r}[j]$, $j = 0, 1, \dots, 15$. After the last round $K_{17}[j]$ is applied identically to all previous odd numbered keys.

6.2.2 The substitution boxes “e” and “l”

In [Figure 6.2](#) two boxes are shown, marked “e” and “l”. These boxes implement the same substitutions as are used in SAFER+; i.e. they implement

$$\begin{aligned}
 e, l & : \quad \{0, \dots, 255\} \rightarrow \{0, \dots, 255\}, \\
 e & : \quad i \mapsto (45^i \bmod 257) \bmod 256, \\
 l & : \quad i \mapsto j \text{ s.t. } i = e(j).
 \end{aligned}$$

Their role, as in the SAFER+ algorithm, is to introduce non-linearity.

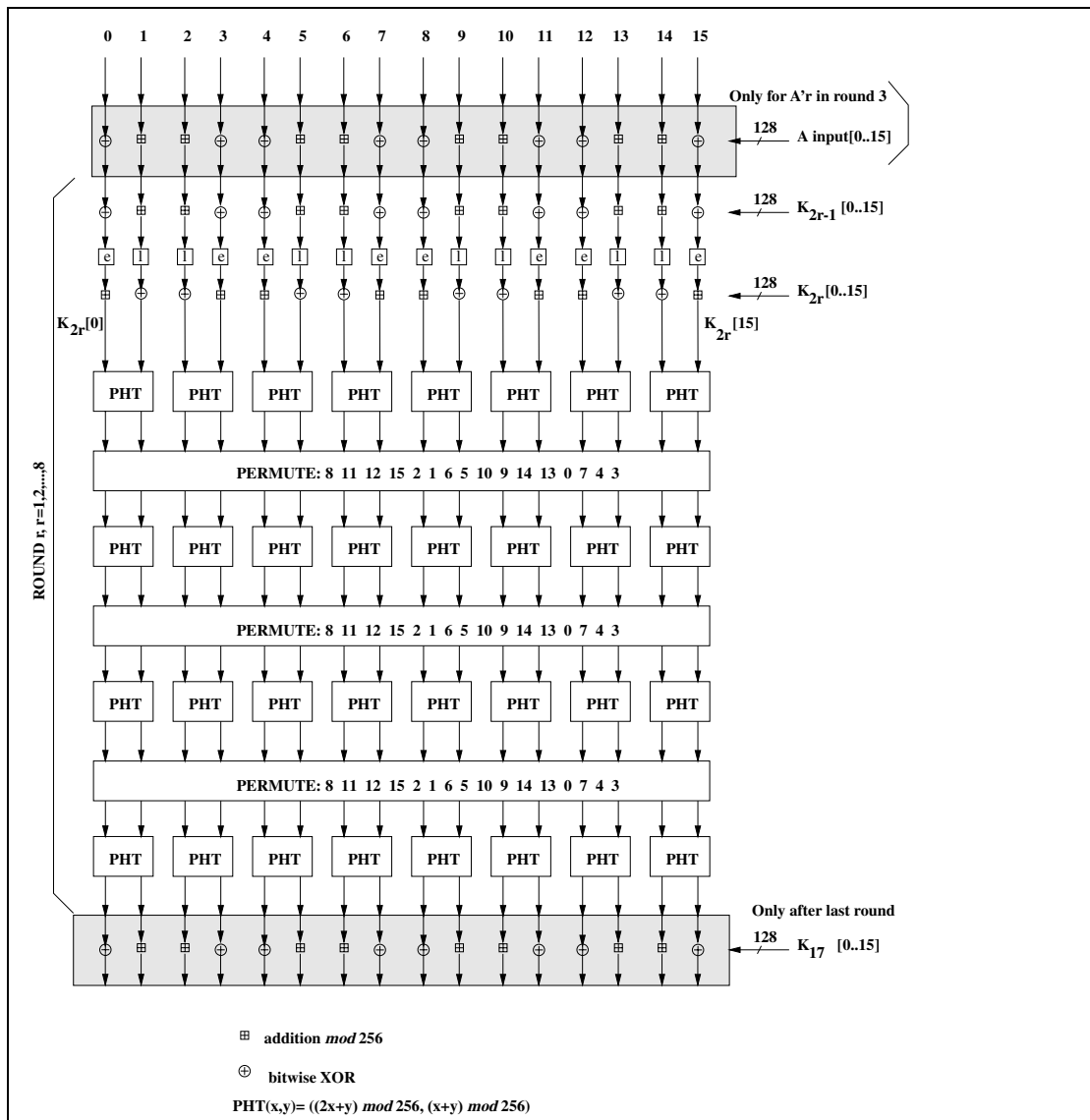


Figure 6.2: One round in A_r and A'_r

In Section 6.2, the permutation boxes show how input byte indices are mapped onto output byte indices. Thus, position 8 is mapped on position 0 (leftmost), position 11 is mapped on position 1, etc.

6.2.3 Key scheduling

In each round, 2 batches of 16 octet-wide keys are needed. These round keys are derived as specified by the key scheduling in SAFER+. Figure 6.3 gives an overview of how the round keys $K_p[j]$ are determined. The bias vectors B_2, B_3, \dots, B_{17} shall be computed according to following equation:

$$B_p[i] = ((45^{(45^{17p+i+1} \bmod 257)} \bmod 256), \text{ for } i = 0, \dots, 15. \quad (\text{EQ 17})$$

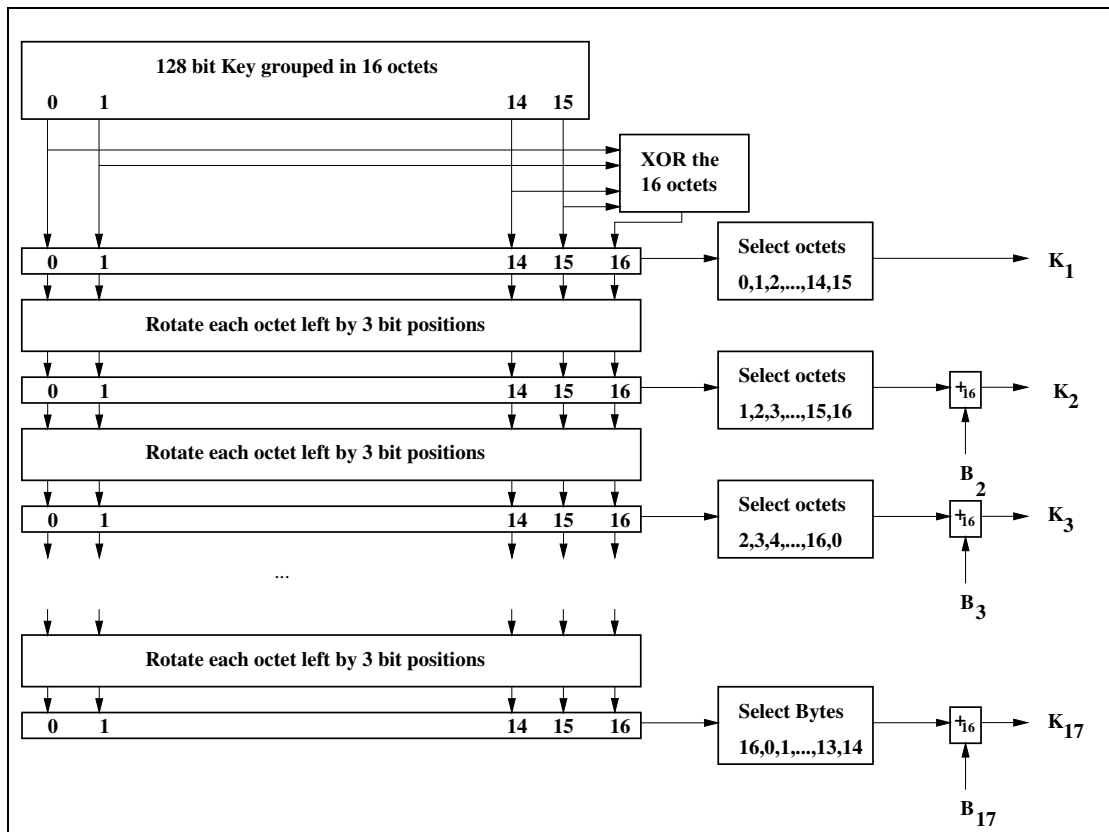


Figure 6.3: Key scheduling in A_r

6.3 E_2 -KEY GENERATION FUNCTION FOR AUTHENTICATION

The key used for authentication shall be derived through the procedure that is shown in Figure 6.4. The figure shows two modes of operation for the algorithm. In the first mode, E_{21} produces a 128-bit link key, K , using a 128-bit RAND value and a 48-bit address. This mode shall be utilized when creating combination keys. In the second mode, E_{22} produces a 128-bit link key, K , using a 128-bit RAND value and an L octet user PIN. The second mode shall be used to create the initialization key, and also when a temporary link key is to be generated.

When the initialization key is generated, the PIN is augmented with the BD_ADDR, see Section 3.2.1 for which address to use. The augmentation shall always start with the least significant octet of the address immediately following the most significant octet of the PIN. Since the maximum length of the PIN used in the algorithm cannot exceed 16 octets, it is possible that not all octets of BD_ADDR will be used.



This key generating algorithm again exploits the cryptographic function E_2 . for mode 1 (denoted E_{21}) is computed according to following equations:

$$E_{21}: \{0, 1\}^{128} \times \{0, 1\}^{48} \rightarrow \{0, 1\}^{128}$$

$$(RAND, address) \mapsto A'_r(X, Y)$$
(EQ 18)

where (for mode 1)

$$\begin{cases} X = RAND \oplus (6 \times 2^{120}) \\ Y = (address \parallel address \parallel address)_{127:0} \end{cases}$$
(EQ 19)

Let L be the number of octets in the user PIN. The augmenting is defined by

$$PIN' = \text{the } L' \text{ least significant octets of } (BD_ADDR \parallel PIN)$$
(EQ 20)

where $L' = \min \{ 16, L+6 \}$.

Then, in mode 2, E_2 (denoted E_{22}) is

$$E_{22}: \{0, 1\}^{8L'} \times \{0, 1\}^{128} \times \{1, 2, \dots, 16\} \rightarrow \{0, 1\}^{128}$$

$$(PIN', RAND, L') \mapsto A'_r(X, Y)$$
(EQ 21)

where

$$\begin{cases} X = (PIN' \parallel PIN' \parallel PIN')_{127:0} \\ Y = RAND \oplus (L' \times 2^{120}) \end{cases}$$
(EQ 22)

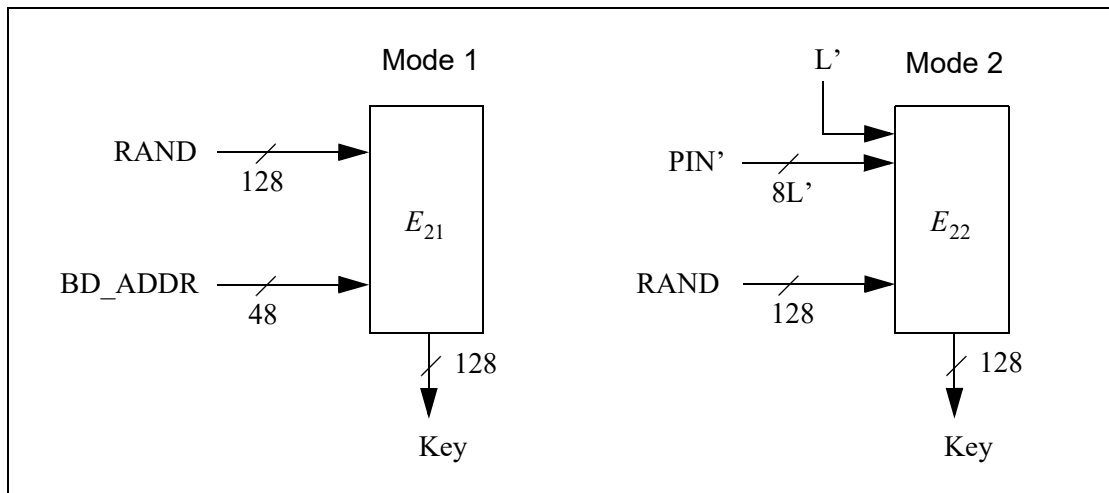


Figure 6.4: Key generating algorithm E_2 and its two modes. Mode 1 is used for combination keys, while mode 2 is used for K_{init} and K_{temp}

6.4 E₃-KEY GENERATION FUNCTION FOR ENCRYPTION

The ciphering key K_{enc} used by E₀ shall be generated by E₃. The function E₃ is constructed using A_r, as follows

$$E_3: \{0, 1\}^{128} \times \{0, 1\}^{128} \times \{0, 1\}^{96} \rightarrow \{0, 1\}^{128} \tag{EQ 23}$$

$$(K, \text{RAND}, \text{COF}) \mapsto \text{Hash}(K, \text{RAND}, \text{COF}, 12)$$

where Hash is the hash function as defined by (EQ 13). The key length produced is 128 bits. However, before use within E₀, the encryption key K_{enc} is shortened to the correct encryption key length, as described in Section 4.5. A block scheme of E₃ is depicted in Figure 6.5.

The value of COF is determined as specified by equation (EQ 3).

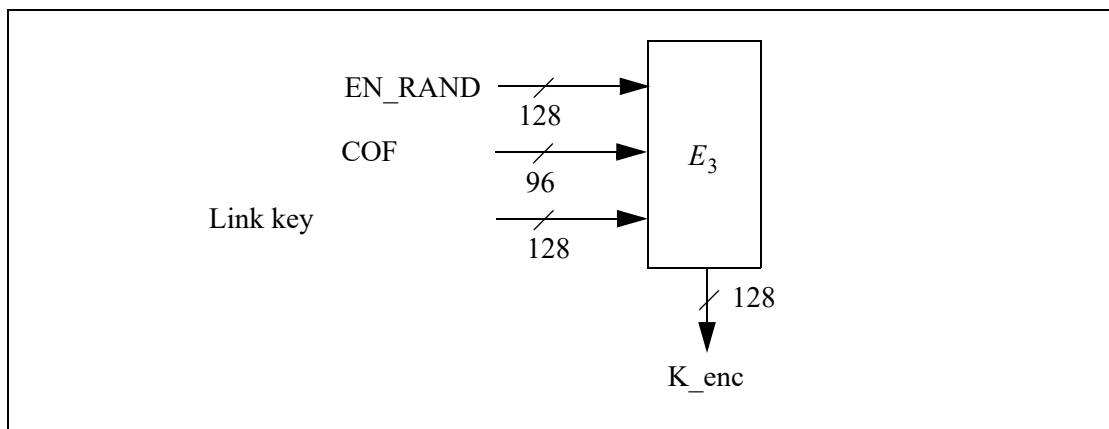


Figure 6.5: Generation of the encryption key

7 SECURE SIMPLE PAIRING

The Secure Simple Pairing security functions and procedures are described in this section. In addition, a cryptographic analysis of each procedure is provided.

There are five phases of Secure Simple Pairing:

- Phase 1: Public key exchange
- Phase 2: Authentication stage 1
- Phase 3: Authentication stage 2
- Phase 4: Link key calculation
- Phase 5: LMP Authentication and Encryption

Phases 1, 3, 4 and 5 are the same for all protocols whereas phase 2 (Authentication stage 1) is different depending on the protocol used. Distributed through these five phases are 13 steps as shown in [Figure 7.1](#).

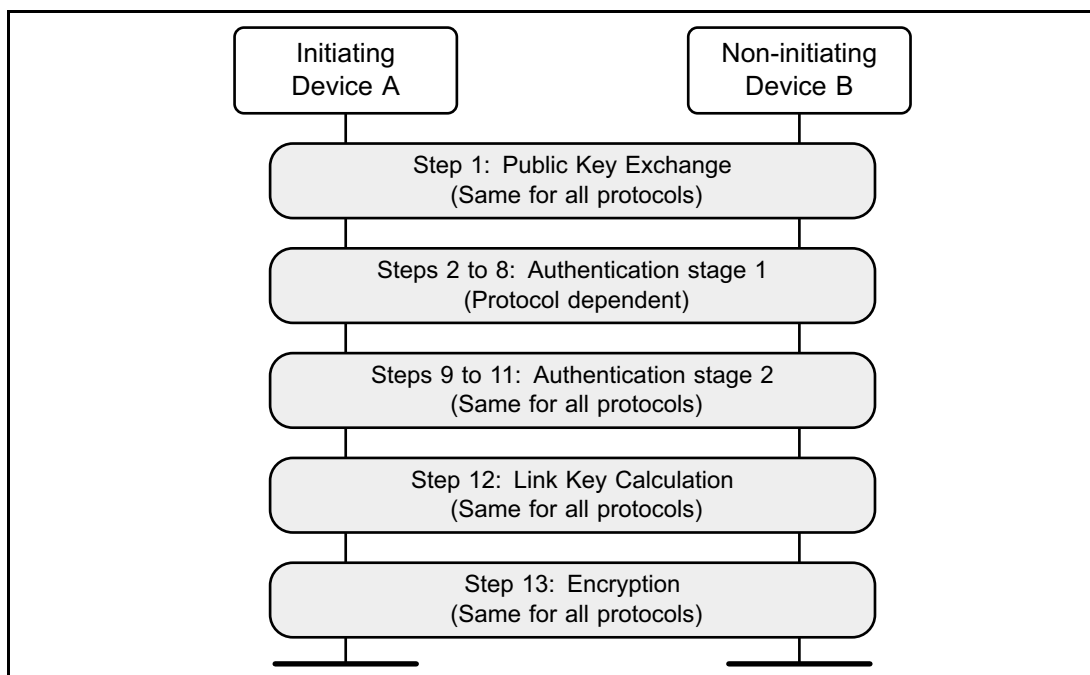


Figure 7.1: Secure Simple Pairing security phases

The terminology used in the security sections is defined in [Table 7.1](#):

Term	Definition
Cx	Commitment value from device X
Cxi	i th commitment value from device X. Only used in the passkey entry protocol

Table 7.1: Terminology



Term	Definition
DHKey	Diffie Hellman key
Ex	Check value from device X
f1()	Used to generate the 128-bit commitment values Ca and Cb
f2()	Used to compute the link key and possible other keys from the DHKey and random nonces
f3()	Used to compute check values Ea and Eb in Authentication stage 2
g()	Used to compute numeric check values
IOcapA	IO capabilities of device A
IOcapB	IO capabilities of device B
LK	Link Key
Nx	Nonce (unique random value) from device X
Nxi	i th nonce (unique random value) from device X. Only used in the passkey entry protocol
PKx	Public Key of device X
rx	Random value generated by device X
rx _i	Bit i of the random value rx. Only used in the passkey entry protocol
SKx	Secret (Private) Key of device X
Vx	Confirmation value on device X. Only used in the numeric compare protocol.
X	BD_ADDR of device X

Table 7.1: Terminology

7.1 PHASE 1: PUBLIC KEY EXCHANGE

Initially, each device generates its own Elliptic Curve Diffie-Hellman (ECDH) public-private key pair (step 1). See [Section 5.1](#) for recommendations on how frequently this key pair should be changed.

Pairing is initiated by the initiating device sending its public key to the receiving device (step 1a). The responding device replies with its own public key (step 1b). If the two public keys have the same X coordinate and neither is the debug key (see [\[Vol 4\] Part E, Section 7.6.4](#)), each device should fail the pairing process. These public keys are not regarded as secret although they may identify the devices.

When both devices' Controllers and Hosts support Secure Connections, the P-256 elliptic curve is used. When at least one device's Controller or Host doesn't support Secure Connections, the P-192 elliptic curve is used.

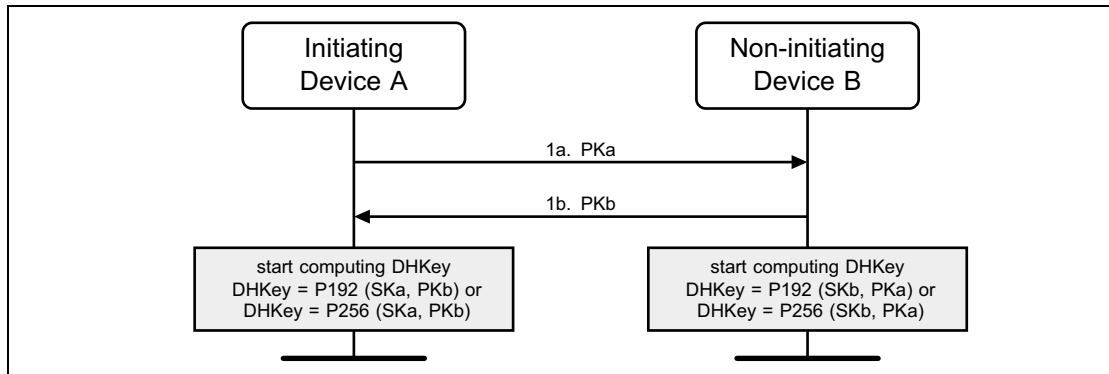


Figure 7.2: Public key exchange details

A device shall validate that any public key received from any BD_ADDR is on the correct curve (P-192 or P-256) - see [Section 7.6](#).

7.2 PHASE 2: AUTHENTICATION STAGE 1

Authentication stage 1 has three different protocols: Numeric Comparison, Out-of-Band, and Passkey Entry. The Just Works association model shares the Numeric Comparison protocol and does not have a separate protocol.

The protocol is chosen based on the IO capabilities of the two devices.

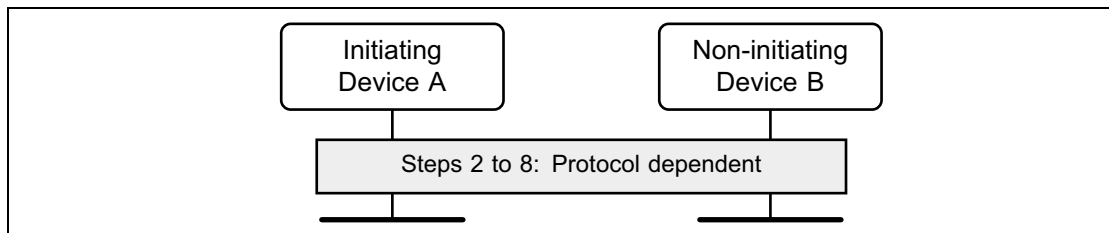


Figure 7.3: Authentication stage 1 (high level)

The three protocols are described in the following sections.

7.2.1 Authentication stage 1: Numeric Comparison protocol

The Numeric Comparison protocol provides limited protection against active "man-in-the-middle" (MITM) attacks as an active man-in-the-middle will succeed with a probability of 0.000001 on each iteration of the protocol. Provided that there is no MITM at the time the pairing is performed, the shared Link Key that is generated is computationally secure from even a passive eavesdropper that may have been present during the pairing.

The sequence diagram of Authentication stage 1 for the Numeric Comparison protocol from the cryptographic point of view is shown in [Figure 7.4](#).

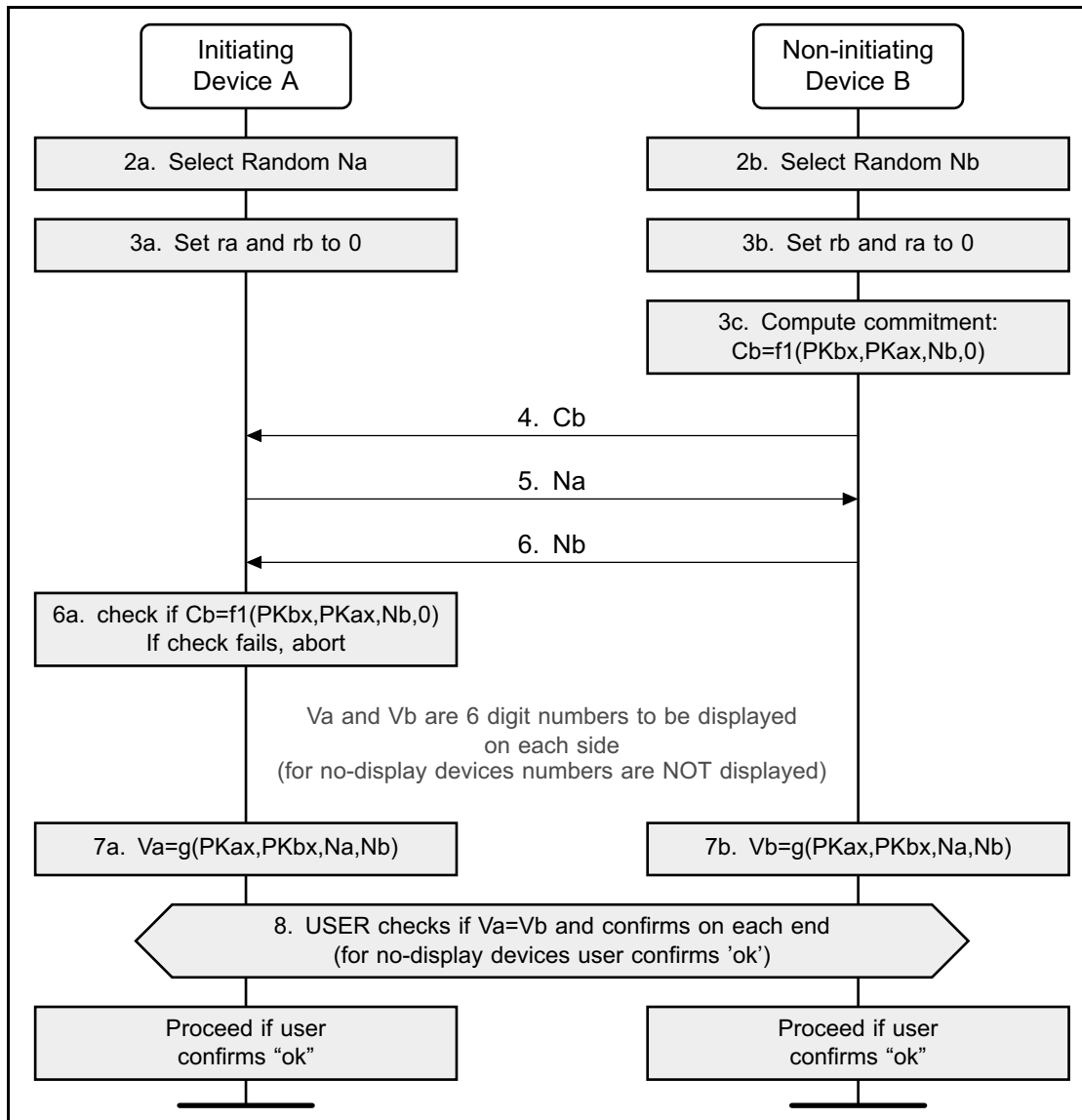


Figure 7.4: Authentication stage 1: Numeric Comparison protocol details

After the public keys have been exchanged, each device selects a random 128-bit nonce (step 2). This value is used to mitigate replay attacks and shall be freshly generated with each instantiation of the pairing protocol. This value should be generated directly from a physical source of randomness or with a good pseudo-random generator seeded with a random value from a physical source.

Following this the responding device then computes a commitment to the two public keys that have been exchanged and its own nonce value (step 3c). This commitment is computed as a one-way function of these values and is transmitted to the initiating device (step 4). The commitment prevents an attacker from changing these values at a later time.

The initiating and responding devices then exchange their respective nonce values (steps 5 and 6) and the initiating device confirms the commitment (step



6a). A failure at this point indicates the presence of an attacker or other transmission error and causes the protocol to abort. The protocol may be repeated with or without the generation of new public-private key pairs, but, as stated above, new nonces must be generated if the protocol is repeated.

Assuming that the commitment check succeeds, the two devices each compute 6-digit confirmation values that are displayed to the user on their respective devices (steps 7a, 7b, and 8). The user is expected to check that these 6-digit values match and to confirm if there is a match. If there is no match, the protocol aborts and, as before, new nonces must be generated if the protocol is to be repeated.

An active MITM must inject its own key material into this process to have any effect other than denial-of-service. A simple MITM attack will result in the two 6-digit display values being different with probability 0.999999. A more sophisticated attack may attempt to engineer the display values to match, but this is thwarted by the commitment sequence. If the attacker first exchanges nonces with the responding device, it must commit to the nonce that it will use with the initiating device before it sees the nonce from the initiating device. If the attacker first exchanges nonces with the initiating device, it must send a nonce to the responding device before seeing the nonce from the responding device. In each case, the attacker must commit to at least the second of its nonces before knowing the second nonce from the legitimate devices. It therefore cannot choose its own nonces in such a way as to cause the display values to match.

7.2.2 Authentication stage 1: Out of Band protocol

The Out-of-Band protocol is used when authentication information has been received by at least one of the devices and indicated in the OOB Authentication Data Present parameter in the LMP IO capability exchange sequence. The mode in which the discovery of the peer device is first done in-band and then followed by the transmission of authentication parameters through OOB interface is not supported. The sequence diagram for Authentication stage 1 for Out of Band from the cryptographic point of view is shown in [Figure 7.5](#).

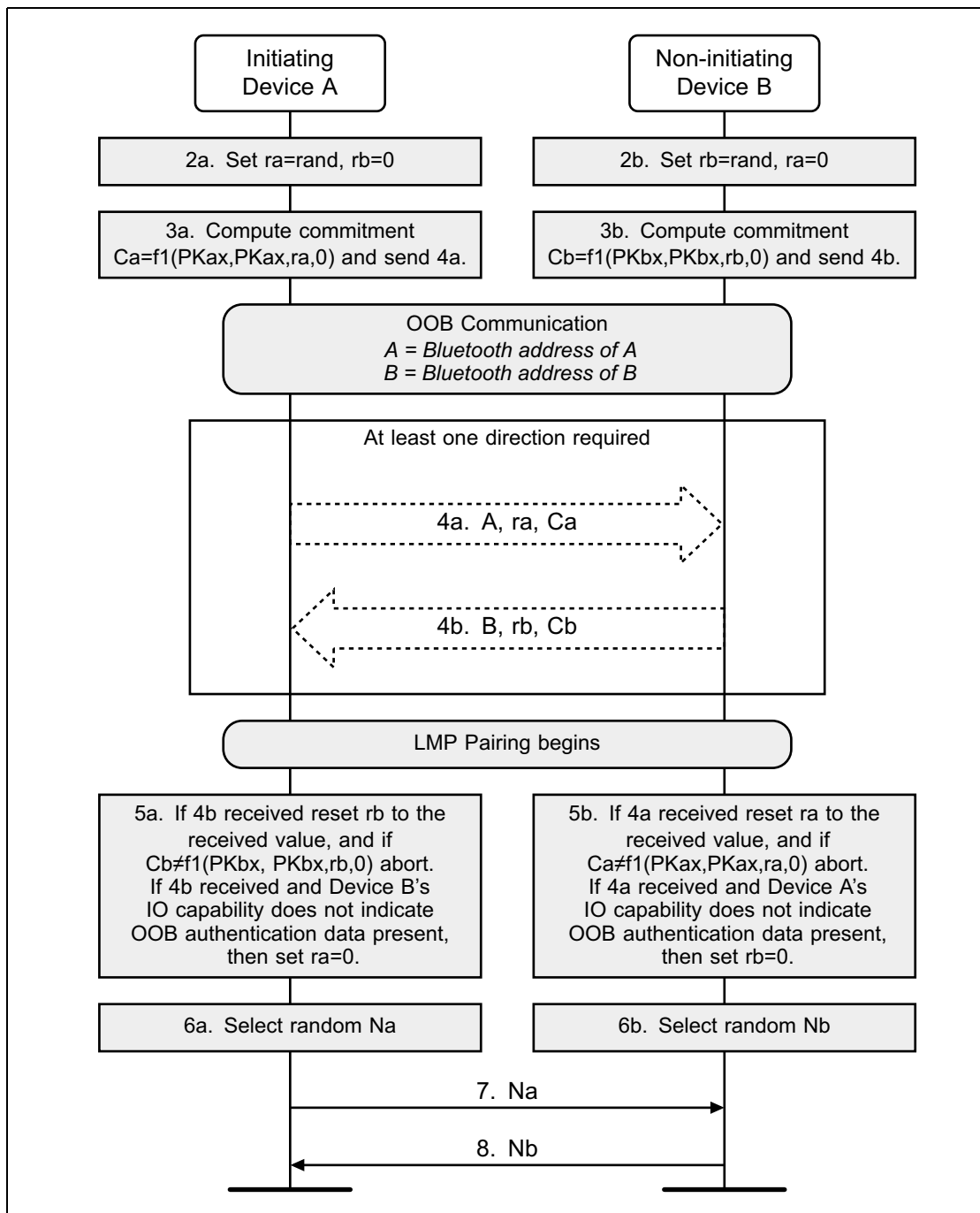


Figure 7.5: Authentication stage 1: Out of Band details

Principle of operation: If both devices can transmit and/or receive data over an out-of-band channel, then mutual authentication will be based on the commitments of the public keys (C_a and C_b) exchanged OOB in Authentication stage 1. If OOB communication is possible only in one direction, then authentication of the device receiving the OOB communication will be based on that device knowing a random number r sent via OOB. In this case, r must be secret: r can be created afresh every time, or access to the device sending r must be restricted. If r is not sent by a device, it is assumed to be 0 by the device receiving the OOB information in step 4a or 4b.



Roles of A and B: The OOB Authentication stage 1 protocol is symmetric with respect to the roles of A and B. It does not require that device A always will initiate pairing and it automatically resolves asymmetry in the OOB communication, e.g. in the case when one of the devices has an NFC tag and can only transmit OOB.

Order of steps: The public key exchange must happen before the verification step 5. In the diagram the in-band public key exchange between the devices (step 1) is done before the OOB communication (step 4). But when the pairing is initiated by an OOB interface, public key exchange will happen after the OOB communication (step 1 will be between steps 4 and 5).

Values of r_a and r_b : Since the direction of the peer's OOB interface cannot be verified before the OOB communication takes place, a device should always generate and if possible transmit through its OOB interface a random number r to the peer. Each device applies the following rules locally to set the values of its own r and the value of the peer's r :

1. Initially, r of the device is set to a random number and r of the peer is set to 0 (step 2).
2. If a device has received OOB, it sets the peer's r value to what was sent by the peer (Step 5).
3. If the remote device's OOB Authentication Data parameter sent in the LMP IO capabilities exchange sequence is set to No OOB Data Received, it sets its own r value to 0 (Step 5)

These rules ensure that when entering Authentication stage 2, both A and B have the same values for r_a and r_b if OOB communication took place.

7.2.3 Authentication stage 1: Passkey Entry protocol

The Passkey Entry protocol is used when LMP IO capability exchange sequence indicates that Passkey Entry shall be used.

The sequence diagram for Authentication stage 1 for Passkey Entry from the cryptographic point of view is shown in [Figure 7.6](#).

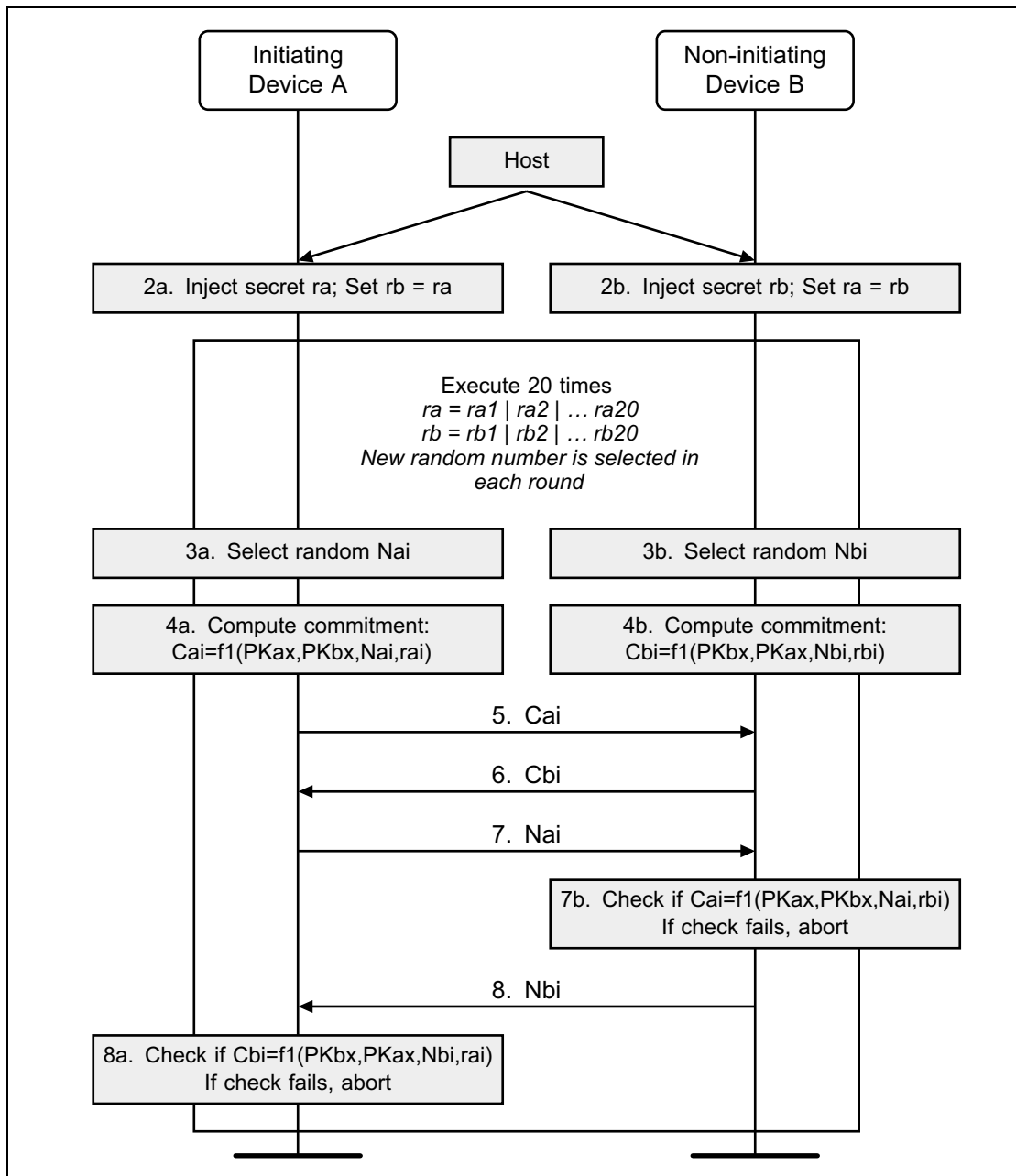


Figure 7.6: Authentication stage 1: Passkey Entry details

The user inputs an identical Passkey into both devices. Alternately, the Passkey may be generated and displayed on one device, and the user then inputs it into the other (step 2). This short shared key will be the basis of the mutual authentication of the devices. The Passkey should be generated randomly during each pairing procedure and not be reused from a previous procedure. Static Passkeys should not be used since they can compromise the security of the link.

Steps 3 to 8 are repeated 20 times since a 6-digit Passkey is 20 bits (999999=0xF423F). If the device allows a shorter passkey to be entered, it shall be prefixed with zeros (e.g. “1234” is equivalent to “001234”).



In Steps 3 to 8, each side commits to each bit of the Passkey, using a long nonce (128 bits), and sending the hash of the nonce, the bit of the Passkey, and both public keys to the other party. The parties then take turns revealing their commitments until the entire Passkey has been mutually disclosed. The first party to reveal a commitment for a given bit of the Passkey effectively reveals that bit of the Passkey in the process, but the other party then has to reveal the corresponding commitment to show the same bit value for that bit of the Passkey, or else the first party will then abort the protocol, after which no more bits of the Passkey are revealed.

This "gradual disclosure" prevents leakage of more than 1 bit of un-guessed Passkey information in the case of a MITM attack. A MITM attacker with only partial knowledge of the Passkey will only receive one incorrectly-guessed bit of the Passkey before the protocol fails. Hence, a MITM attacker who engages first one side, then the other will only gain an advantage of at most two bits over a simple brute-force guesser, making the probability of success 0.000004 instead of 0.000001.

The long nonce is included in the commitment hash to make it difficult to brute-force even after the protocol has failed. The public Diffie-Hellman values are included to tie the Passkey protocol to the original ECDH key exchange, to prevent a MITM from substituting the attacker's public key on both sides of the ECDH exchange in standard MITM fashion.

At the end of this stage, N_a is set to N_{a20} and N_b is set to N_{b20} for use in Authentication stage 2.

7.3 PHASE 3: AUTHENTICATION STAGE 2

The second stage of authentication then confirms that both devices have successfully completed the exchange. This stage is identical in all three protocols and is shown in [Figure 7.7](#).

Each device computes a new confirmation value that includes the previously exchanged values and the newly derived shared key (step 9). The initiating device then transmits its confirmation value which is checked by the responding device (step 10). If this check fails, it indicates that the initiating device has not confirmed the pairing, and the protocol shall be aborted. The responding device then transmits its confirmation value which is checked by the initiating device (step 11). A failure indicates that the responding device has not confirmed the pairing and the protocol should abort.

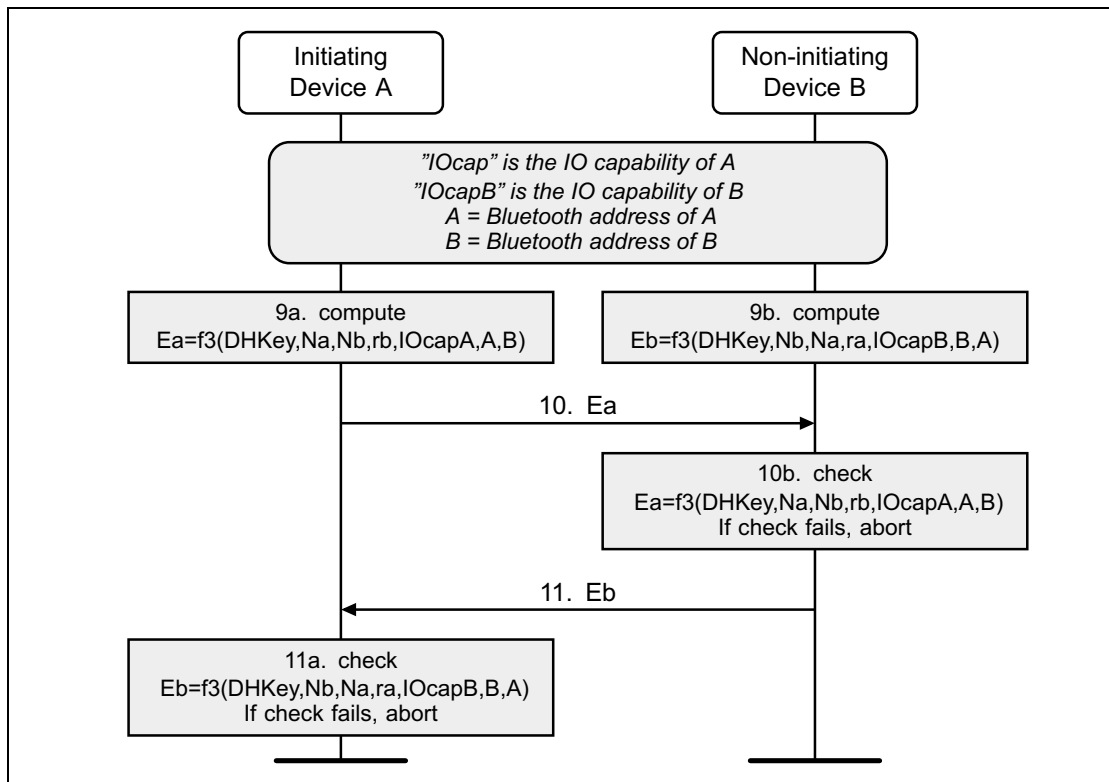


Figure 7.7: Authentication stage 2

7.4 PHASE 4: LINK KEY CALCULATION

Once both sides have confirmed the pairing, a link key is computed from the derived shared key and the publicly exchanged data (step 12). The nonces ensure the freshness of the key even if long-term ECDH values are used by both sides. This link key is used to maintain the pairing.

When computing the link key both parties shall input the parameters in the same order (shown in Figure 7.8) to ensure that both devices compute the same key: Nc is whichever of Na and Nb was generated by the Central and Np is the other, while BD_ADDR_C and BD_ADDR_P are the addresses of the Central and Peripheral respectively.

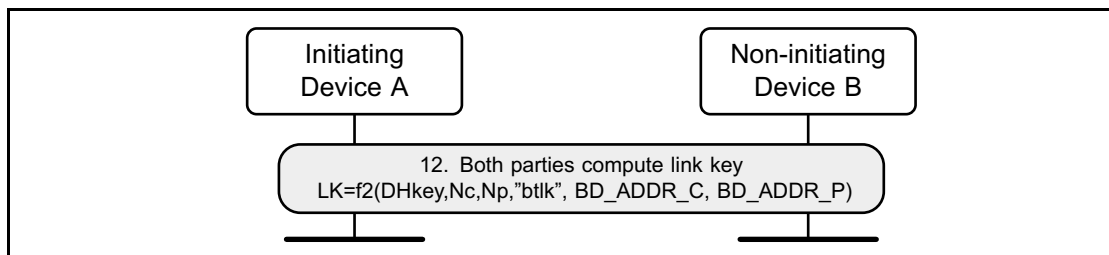


Figure 7.8: Link key calculation



7.5 PHASE 5: LMP AUTHENTICATION AND ENCRYPTION

The final phase in Secure Simple Pairing consists of authentication and generation of the encryption key. This is the same as the final steps in legacy pairing.

7.6 ELLIPTIC CURVE DEFINITION

Secure Simple Pairing supports two elliptic curves: P-192 and P-256.

Secure Simple Pairing uses the FIPS P-192 and P-256 curves defined in FIPS 186-4¹. Elliptic curves are specified by p , a , b and are of the form:

$$E: y^2 = x^3 + ax + b \pmod{p}$$

In NIST P-192 and P-256, a is -3 and the following parameters are given:

- The prime modulus p , order r , base point x-coordinate G_x , base point y-coordinate G_y .
- The integers p and r are given in decimal form; bit strings and field elements are given in hex.

For P-192:

```

p   = 6277101735386680763835789423207666416083908700390324961279
r   = 6277101735386680763835789423176059013767194773182842284081
b   = 64210519 e59c80e7 0fa7e9ab 72243049 feb8deec c146b9b1
Gx  = 188da80e b03090f6 7cbf20eb 43a18800 f4ff0afd 82ff1012
Gy  = 07192b95 ffc8da78 631011ed 6b24cdd5 73f977a1 1e794811

```

The function P192 is defined as follows. Given an integer u , $0 < u < r$, and a point V on the curve E , the value $P192(u, V)$ is computed as the x-coordinate of the u^{th} multiple uV of the point V .

The private keys shall be between 1 and $r/2$, where r is the order of the Abelian group on the elliptic curve (i.e., between 1 and $2^{192}/2$).

For P-256:

```

p   = 11579208921035624876269744694940757353008614341529031419553363
      1308867097853951
r   = 11579208921035624876269744694940757352999695522413576034242225
      9061068512044369
b   = 5ac635d8 aa3a93e7 b3ebbd55 769886bc 651d06b0 cc53b0f6 3bce3c3e
      27d2604b

```

1. <http://dx.doi.org/10.6028/NIST.FIPS.186-4>



$G_x = 6b17d1f2\ e12c4247\ f8bce6e5\ 63a440f2\ 77037d81\ 2deb33a0\ f4a13945$
 $\quad\quad\quad d898c296$

$G_y = 4fe342e2\ fe1a7f9b\ 8ee7eb4a\ 7c0f9e16\ 2bce3357\ 6b315ece\ cbb64068$
 $\quad\quad\quad 37bf51f5$

The function P256 is defined as follows. Given an integer u , $0 < u < r$, and a point V on the curve E , the value $P256(u, V)$ is computed as the x-coordinate of the u^{th} multiple uV of the point V .

The private keys shall be between 1 and $r/2$, where r is the order of the Abelian group on the elliptic curve (i.e., between 1 and $2^{256}/2$).

A valid public key $Q = (X_Q, Y_Q)$ is one where X_Q and Y_Q are both in the range 0 to $p - 1$ and satisfy the equation $(Y_Q)^2 = (X_Q)^3 + aX_Q + b \pmod{p}$ in the relevant curve's finite field.

A device can validate a public key by directly checking the curve equation, by implementing elliptic curve point addition and doubling using formulas that are valid only on the correct curve, or by other means.

7.7 CRYPTOGRAPHIC FUNCTION DEFINITIONS

In addition to computing the Elliptic Curve Diffie Hellman key, the Numeric Comparison, Out-of-Band and Passkey Entry protocols require four cryptographic functions. These functions are known as $f1$, g , $f2$ and $f3$.

$f1$ is used to generate the 128-bit commitment values C_a and C_b

g is used to compute the 6-digit numeric check values

$f2$ is used to compute the link key and possible other keys from the DHKey and random nonces

$f3$ is used to compute check values E_a and E_b in Authentication stage 2.

The basic building block for these functions is based on SHA-256, specified in [FIPS PUB 180-4] (<http://dx.doi.org/10.6028/NIST.FIPS.180-4>).

Inside the $f1$, g , $f2$, and $f3$ cryptographic functions, when a multi-octet integer input parameter is used as input to the SHA-256 and HMAC-SHA-256 functions, the most significant octet of the integer parameter shall be the first octet of the stream and the least significant octet of the integer parameter shall be the last octet of the stream. The output of the $f1$, g , $f2$, and $f3$ cryptographic functions is a multi-octet integer where the first octet out of SHA-256 and HMAC-SHA-256 shall be the MSB and the last octet shall be the LSB of that parameter.

7.7.1 The Secure Simple Pairing commitment function $f1$

The commitments are computed with function $f1$. The definition of the Secure Simple Pairing commitment function makes use of the MAC function HMAC based on SHA-256_x, which is denoted as HMAC-SHA-256_x with 128-bit key X .



The inputs to the Secure Simple Pairing function $f1$ are specified in [Table 7.2](#).

Input	Bits with P-192	Bits with P-256
U	192	256
V	192	256
X	128	128
Z	8	8

Table 7.2: Inputs to the $f1$ function

Z is zero (i.e., 8 bits of zeros) for Numeric Comparison and OOB protocol. In the Passkey protocol the most significant bit of Z is set equal to one and the least significant bit is made up from one bit of the passkey e.g. if the passkey bit is 1 then $Z = 0x81$ and if the passkey bit is 0 then $Z = 0x80$.

The output of the Secure Simple Pairing $f1$ function is:

$$f1(U, V, X, Z) = \text{HMAC-SHA-256}_X (U \parallel V \parallel Z) / 2^{128}$$

The inputs to $f1$ are different depending on the different protocols as specified in [Table 7.3](#).

Numeric Comparison	Out-Of-Band	Passkey Entry
$C_a = f1(\text{PK}_{ax}, \text{PK}_{bx}, N_a, 0)$	$C_a = f1(\text{PK}_{ax}, \text{PK}_{ax}, r_a, 0)$	$C_{ai} = f1(\text{PK}_{ax}, \text{PK}_{bx}, N_{ai}, r_{ai})$
$C_b = f1(\text{PK}_{bx}, \text{PK}_{ax}, N_b, 0)$	$C_b = f1(\text{PK}_{bx}, \text{PK}_{bx}, r_b, 0)$	$C_{bi} = f1(\text{PK}_{bx}, \text{PK}_{ax}, N_{bi}, r_{bi})$

Table 7.3: Inputs to $f1$ for the different protocols

where PK_{ax} denotes the x-coordinate of the public key PK_a of A. Similarly, PK_{bx} denotes the x-coordinate of the public key PK_b of B. N_{ai} is the nonce value of i^{th} round. For each round N_{ai} value is a new 128 bit number. Similarly, r_{ai} is one bit value of the passkey expanded to 8 bits (either $0x80$ or $0x81$).

N_a and N_b are nonces from Devices A and B. r_a and r_b are random values generated by devices A and B.

7.7.2 The Secure Simple Pairing numeric verification function g

The Secure Simple Pairing g function is defined as follows:

The inputs to the Secure Simple Pairing function g are specified in [Table 7.4](#).

Input	Bits with P-192	Bits with P-256
U	192	256
V	192	256

Table 7.4: Inputs to the g function



Input	Bits with P-192	Bits with P-256
X	128	128
Y	128	128

Table 7.4: Inputs to the *g* function

The output of the Secure Simple Pairing *g* function is:

$$g(U, V, X, Y) = \text{SHA-256}(U \parallel V \parallel X \parallel Y) \text{ mod } 2^{32}$$

The numeric verification value is taken as six least significant digits of the 32-bit integer $g(\text{PKax}, \text{PKbx}, \text{Na}, \text{Nb})$ where PKax denotes the x-coordinate of the public key PKa of A and PKbx denotes the x-coordinate of the public key PKb of B.

Output of SHA-256 is truncated to 32 bits by taking the least significant 32 bits of the output of SHA-256. This value is converted to decimal numeric value. The checksum used for numeric comparison is the least significant six digits.

$$\text{Compare Value} = g(U, V, X, Y) \text{ mod } 10^6$$

For example, if output = 0x 01 2e b7 2a then decimal value = 19838762 and the checksum used for numeric comparison is 838762.

7.7.3 The Secure Simple Pairing key derivation function *f2*

The definition of the Secure Simple Pairing key derivation function makes use of the MAC function HMAC based on SHA-256, which is denoted as HMAC-SHA-256_W with 192-bit or 256-bit key *W*.

The inputs to the Secure Simple Pairing function *f2* are specified in [Table 7.5](#).

Input	Bits with P-192	Bits with P-256
W	192	256
N_1	128	128
N_2	128	128
keyID	32	32
A_1	48	48
A_2	48	48

Table 7.5: Inputs to the *f2* function



The string "btik" is mapped into a keyID using ASCII as 0x62746C6B.

The output of the Secure Simple Pairing f_2 function is:

$$f_2(W, N_1, N_2, \text{KeyID}, A_1, A_2) = \text{HMAC-SHA-256}_W (N_1 \parallel N_2 \parallel \text{KeyID} \parallel A_1 \parallel A_2) / 2^{128}$$

The output of f_2 is taken as the 128 most significant (leftmost) bits of the output of HMAC-SHA-256.

The link key is then calculated as:

$$\text{LK} = f_2(\text{DHKey}, N_c, N_p, \text{"btik"}, \text{BD_ADDR_C}, \text{BD_ADDR_P})$$

N_c is whichever of N_1 and N_2 was generated by the Central and sent to the Peripheral; N_p is the other.

7.7.4 The Secure Simple Pairing check function f_3

The definition of the Secure Simple Pairing f_3 check function makes use of the MAC function HMAC based on SHA-256, which is denoted as HMAC-SHA-256_W with 192-bit or 256-bit key W .

The inputs to the Secure Simple Pairing function f_3 are specified in [Table 7.6](#).

Input	Bits with P-192	Bits with P-256
W	192	256
N_1	128	128
N_2	128	128
IOcap	24	24
A_1	48	48
A_2	48	48

Table 7.6: Inputs to the f_3 function

IOcap is three octets with the most significant octet as the Authentication Requirements parameter, the middle octet as the LMP Out-of-Band Authentication Data parameter, and the least significant octet as the LMP IO capability parameter.

The output of the Secure Simple Pairing f_3 function is:

$$f_3(W, N_1, N_2, R, \text{IOcap}, A_1, A_2) = \text{HMAC-SHA-256}_W (N_1 \parallel N_2 \parallel R \parallel \text{IOcap} \parallel A_1 \parallel A_2) / 2^{128}$$

The output of f_3 is taken as the 128 most significant (leftmost) bits of the output of HMAC-SHA-256. The check values are computed with function f_3 . The



inputs to f_3 are different depending on the different protocols, as specified in [Table 7.7](#).

Numeric Comparison	Out-Of-Band	Passkey Entry
$E_a = f_3(\text{DHKey}, N_a, N_b, 0, \text{IOcapA}, A, B)$	$E_a = f_3(\text{DHKey}, N_a, N_b, r_b, \text{IOcapA}, A, B)$	$E_a = f_3(\text{DHKey}, N_{a20}, N_{b20}, r_b, \text{IOcapA}, A, B)$
$E_b = f_3(\text{DHKey}, N_b, N_a, 0, \text{IOcapB}, B, A)$	$E_b = f_3(\text{DHKey}, N_b, N_a, r_a, \text{IOcapB}, B, A)$	$E_b = f_3(\text{DHKey}, N_{b20}, N_{a20}, r_a, \text{IOcapB}, B, A)$

Table 7.7: Inputs to f_3 for the different protocols

DHKey denotes the shared secret Diffie-Hellman Key computed as P192(SKa, PKb) or P256(SKa, PKb) by A and as P192(SKb, PKa) or P256(SKb, PKa) by B. IOcapA denotes the IO capability data of A and IOcapB denotes the IO capability data of B. In Passkey Entry, the data r_a and r_b are 6-digit passkey values which are expressed as a 128-bit integer. For instance, if the 6-digit value of r_a is 131313

then $R = 0x\ 00\ 00\ 00\ 00\ 00\ 00\ 00\ 00\ 00\ 00\ 00\ 00\ 00\ 00\ 02\ 00\ f1$.

The input A is the BD_ADDR of device A and the input B is the BD_ADDR of device B.

7.7.5 [This section is no longer used]

7.7.6 The AES encryption key generation function h_3

AES encryption keys are created using the AES encryption key generation function h_3 . The definition of the AES encryption key generation function makes use of the MAC function HMAC based on SHA-256, which is denoted as HMAC-SHA-256_T with 128-bit key T.

The inputs to function h_3 are specified in [Table 7.8](#).

Input	Bits with P-256
T	128
keyID	32
A_1	48
A_2	48
ACO	64

Table 7.8: Inputs to the h_3 function

A_1 is the BD_ADDR of the Central. A_2 is the BD_ADDR of the Peripheral. ACO is the 64 bit ACO output from h_5 . T is the 128 bit Bluetooth Link Key derived from f_2 .



The string “btak” (Bluetooth AES Key) is mapped into a keyID using ASCII as 0x6274616B.

The output of function *h3* is:

$$h3(W, keyID, A_1, A_2, ACO) = \text{HMAC-SHA-256}_T(\text{KeyID} \parallel A_1 \parallel A_2 \parallel ACO) / 2^{128}$$

The output of *h3* is taken as the 128 most significant (leftmost) bits of the output of HMAC-SHA-256.

7.7.7 The Device authentication key generation function *h4*

With Secure Connections, a device authentication key is created using function *h4*. The definition of the device authentication key generation function makes use of the MAC function HMAC based on SHA-256, which is denoted as HMAC-SHA-256_T with 128-bit key T.

The inputs to function *h4* are specified in [Table 7.9](#).

Input	Bits with P-256
T	128
keyID	32
A ₁	48
A ₂	48

Table 7.9: Inputs to the *h4* function

A₁ is the BD_ADDR of the Central. A₂ is the BD_ADDR of the Peripheral. T is the 128 bit Bluetooth Link Key derived from *f2*.

The string “btdk” (Bluetooth Device Key) is mapped into a keyID using ASCII as 0x6274646B.

The output of function *h4* is:

$$h4(W, KeyID, A_1, A_2) = \text{HMAC-SHA-256}_T(\text{KeyID} \parallel A_1 \parallel A_2) / 2^{128}$$

The output of *h4* is taken as the 128 most significant (leftmost) bits of the output of HMAC-SHA-256.

7.7.8 The Device authentication confirmation function *h5*

With Secure Connections, device authentication confirmation values are created using function *h5*. The definition of the device authentication confirmation function makes use of the MAC function HMAC based on SHA-256, which is denoted as HMAC-SHA-256_S with 128-bit key S.



The inputs to function $h5$ are specified in [Table 7.10](#).

Input	Bits with P-256
S	128
R ₁	128
R ₂	128

Table 7.10: Inputs to the $h5$ function

R₁ is the 128 bit random number (AU_RANDOM_C) from the Central during the Link Manager device authentication sequence. R₂ is the 128 bit random number from the Peripheral (AU_RANDOM_P) during the Link Manager device authentication sequence. S is the 128-bit Bluetooth Device Authentication Key derived from $h4$.

The output of function $h5$ is:

$$h5(W, R_1, R_2) = \text{HMAC-SHA-256}_S(R_1 || R_2) / 2^{128}$$

The output of $h5$ is taken as the 128 most significant (leftmost) bits of the output of HMAC-SHA-256. The first 32 bits (leftmost) become the SRES_C. The next 32 bits become the SRES_P. The final 64 bits become the Authentication Ciphering Offset (ACO), which is used in $h3$ and as the IV for Encryption Start for the encryption nonce.



8 [THIS SECTION IS NO LONGER USED]



9 AES-CCM ENCRYPTION FOR BR/EDR

The Baseband provides security using Counter with Cipher Block Chaining-Message Authentication Code (CCM) as defined in IETF RFC 3610 (<http://www.ietf.org/rfc/rfc3610.txt>) with a modification to the B_1 counter mode block format that omits the length of the additional authenticated data. The description of the algorithm can also be found in the NIST Special Publication 800-38C (<http://csrc.nist.gov/publications/PubsSPs.html>).

Using the notation in [4], CCM has two size parameters, M and L.

The Baseband defines these to be:

M = 4; indicating that the MIC length is 4 octets (32 bits)

Size of M represents a trade-off between message expansion and the probability that an attacker can undetectably modify a message.

L = 2; indicating that the Length field is 2 octets (16 bits)

Size of L requires a trade-off between the maximum message size and the size of the Nonce.

9.1 NONCE FORMATS

All of the parameters in the nonce are unique per logical transport. The nonce will be 13 octets and will have two formats. The first format is called the payload counter format and is used for ACL packets on the primary LT_ADDR. The second format is called the clock format and is used for eSCO packets.

The reason for two formats has to do with two factors: potential security attacks and synchronization. Since ACL packets on the primary LT_ADDR carry protocol, they are susceptible to attacks that eSCO packets (only data) are not.

The descriptions of the two nonce formats are provided in [Table 9.1](#).

Octet	Field	Octets	Payload Counter Format Description	Clock Format Description
0	Nonce0	1	PayloadCounter[7:0]	CLK[8:1]
1	Nonce1	1	PayloadCounter[15:8]	CLK[16:9]
2	Nonce2	1	PayloadCounter[23:16]	CLK[24:17]

Table 9.1: Nonce formats



Octet	Field	Octets	Payload Counter Format Description	Clock Format Description
3	Nonce3	1	PayloadCounter[31:24]	Bits 2-0: CLK[27:25] Bits 7-3: dayCounter[4:0]
4	Nonce4	1	Bits 3-0: PayloadCounter[35:32] Bit 4: zero-length ACL-U continuation packet (1=zero-length ACL-U continuation packet, 0=otherwise) Bit 5: direction (0=Central to Peripheral, 1=Peripheral to Central) Bits 7-6: nonceType = 0b00 (ACL)	Bits 5-0: dayCounter[10:5] Bits 7-6: nonceType = 0b01 (eSCO)
5	Nonce5	1		IV[7:0]
6	Nonce6	1		IV[15:8]
7	Nonce7	1		IV[23:16]
8	Nonce8	1		IV[31:24]
9	Nonce9	1		IV[39:32]
10	Nonce10	1		IV[47:40]
11	Nonce11	1		IV[55:48]
12	Nonce12	1		IV[63:56]

Table 9.1: Nonce formats

In the payload counter format, the PayloadCounter starts at zero for the first encrypted packet in each direction after encryption is started or resumed and increments every time an encrypted payload including zero-length payloads is accepted by the remote device.

Note: It is possible that when encryption is being enabled or resumed, a packet may first get transmitted unencrypted and then get retransmitted encrypted. In such a case, the PayloadCounter gets incremented when the encrypted retransmission of the packet gets accepted by the remote device.

Bit 4 of Octet 4 shall be set to 1 for a zero length ACL-U continuation packet (see [Vol 2] Part B, Section 7.6.2.2), otherwise it shall be set to 0.



In the clock format, the Central's clock (CLK) used for the nonce shall be the value in the first slot of the packet. After a new ACL connection has been established or a role switch has been successfully performed and when eSCO is successfully established for the first time then the dayCounter value shall be initialized to:

- 1 if CLK27 in the first clock format nonce is 0, and initialization procedure 2 (see [Vol 2] Part B, Section 8.6.3) is used
- 0 otherwise.

After the dayCounter has been initialized, it shall increment every time the Central's clock (CLK) rolls over to 0x0000000 (approximately every 23.3 hours).

Note: When Security Mode 4 is in use, eSCO will not be established before encryption is started.

The IV is an 8 octet field. For encryption start, all octets of the IV are from the ACO output of the last execution of *h5* prior to the start of encryption. Multiple device authentications may occur prior to starting encryption but only the ACO of the last device authentication is used. After an encryption resume, all 8 octets of the IV are from the EN RAND sent by the device initiating the encryption pause (see [Vol 2] Part C, Section 4.2.5.5). An encryption pause and resume will be required prior to the PayloadCounter or dayCounter rolling over in order to keep the nonce fresh for an encryption key.

Octet	IV for Encryption Start	IV After Resume Encryption
0	ACO[0]	EN RAND[0]
1	ACO[1]	EN RAND[1]
2	ACO[2]	EN RAND[2]
3	ACO[3]	EN RAND[3]
4	ACO[4]	EN RAND[4]
5	ACO[5]	EN RAND[5]
6	ACO[6]	EN RAND[6]
7	ACO[7]	EN RAND[7]

Table 9.2: IV construction

9.2 COUNTER MODE BLOCKS

For calculating the MIC, the payload is broken into two or more counter mode blocks. The CCM specification refers to these blocks as blocks $B_0 - B_n$. B_0 applies to the nonce, B_1 applies to the associated data {that is packet header and payload header} and additional B blocks are generated as needed for authentication of the payload body.



Offset (octets)	Field	Size (octets)	Value	Description
0	Flags	1	0x49	As per the CCM specification
1	Nonce	13	variable	The nonce as described in Section 9.1 . Nonce0 shall have offset 1. Nonce12 shall have offset 13.
14	Length[MSO]	1	variable	The most significant octet of the length of the payload body
15	Length[LSO]	1	variable	The least significant octet of the length of the payload body

Table 9.3: B_0 counter mode block format

Offset	Field	Size (octets)	Value	Description
0	Packet_Header [MSO]	1	Variable	The most significant octet of the packet header: Bit 0: 0 (ARQN masked) Bit 1: 0 (SEQN masked) Bit 7 – Bit 2: 0b000000
1	Packet_Header [LSO]	1	Variable	The least significant octet of the packet header: Bit 2 – Bit 0: LT_ADDR Bit 6 – Bit 3: TYPE Bit 7: 0 (FLOW masked)
2	Payload_Header	1	Variable	The payload header: Bit 1 – Bit 0: LLID Bit 2: 0 (FLOW masked) Bit 7 – Bit 3: 0b000000
3	Padding	13	0x00, 0x00, 0x00, 0x00, 0x00, 0x00, 0x00, 0x00, 0x00, 0x00, 0x00, 0x00, 0x00	These octets are only used to pad the block. They are not part of the packet and never transmitted.

Table 9.4: B_1 counter mode block format



9.3 ENCRYPTION BLOCKS

The CCM algorithm uses the A_i blocks to generate a keystream that is used to encrypt the MIC and payload body. Block A_0 is always used to encrypt and decrypt the MIC, when present. Block A_1 is always used to encrypt and decrypt the first 16 octets of the payload body. Subsequent blocks are always used to encrypt and decrypt the rest of the payload body as needed.

Offset (octets)	Field	Size (octets)	Value	Description
0	Flags	1	0x01	As per the CCM specification
1	Nonce	13	variable	The nonce as described in Section 9.1 . Nonce0 shall have offset 1. Nonce12 shall have offset 13.
14	i [MSO]	1	variable	The most significant octet of the counter i
15	i [LSO]	1	variable	The least significant octet of the counter i

Table 9.5: Encryption mode block format

9.4 ENCRYPTION KEY SIZE REDUCTION

When the devices have negotiated a key size shorter than the maximum length, the key will be shortened by replacing the appropriate number of least significant octets of the key with 0x00.

For example, if a 128-bit encryption key is

0x12345678_9ABCDEF0_12345678_9ABCDEF0

and it is reduced to 7 octets (56 bits), then the resulting key is

0x12345678_9ABCDE00_00000000_00000000.

9.5 REPEATED MIC FAILURES

Anytime the MIC check fails and the CRC passes on a given packet, it is considered an authentication failure. No more than three authentication failures shall be permitted during the lifetime of an encryption key with a given IV. The third authentication failure shall initiate an encryption key refresh (see [\[Vol 2\] Part C, Section 4.2.5.8](#)). If a fourth authentication failure occurs prior to the encryption key refresh procedure completing, the link shall be disconnected with reason code *Connection Rejected Due to Security Reasons* (0x0E).

Note: The MIC is not checked when the CRC is invalid.



Host

Specification of the *Bluetooth[®]* System

Volume 3

Covered Core Package Version: **5.4**

Version Date: **2023-01-31**

LOGICAL LINK CONTROL AND ADAPTATION PROTOCOL SPECIFICATION

The Bluetooth Logical Link Control and Adaptation Protocol (L2CAP) supports higher level protocol multiplexing, packet segmentation and reassembly, and the conveying of quality of service information. The protocol state machine, packet format, and composition are described in this Part of the specification.



CONTENTS

1	Introduction	1014
1.1	L2CAP features	1014
1.2	Assumptions	1017
1.3	Scope	1018
1.4	Terminology	1018
2	General operation	1022
2.1	Channel identifiers	1022
2.2	Operation between devices	1025
2.3	Operation between layers	1026
2.4	Modes of operation	1027
2.5	Mapping channels to logical links	1028
3	Data packet format	1029
3.1	Connection-oriented channels in Basic L2CAP mode	1029
3.2	Connectionless data channel in Basic L2CAP mode	1030
3.3	Connection-oriented channel in Retransmission/Flow Control/ Streaming modes	1031
3.3.1	L2CAP header fields	1031
3.3.2	Control field	1032
3.3.3	L2CAP SDU Length field (2 octets)	1035
3.3.4	Information Payload field	1035
3.3.5	Frame Check Sequence (2 octets)	1036
3.3.6	Invalid Frame Detection (Retransmission and Flow Control modes)	1037
3.3.7	Invalid Frame Detection algorithm	1037
3.4	Connection-oriented channels in LE Credit Based Flow Control mode and Enhanced Credit Based Flow Control mode	1038
3.4.1	L2CAP Header fields	1039
3.4.2	L2CAP SDU Length field (2 octets)	1039
3.4.3	Information Payload field	1039
4	Signaling packet formats	1040
4.1	L2CAP_COMMAND_REJECT_RSP (code 0x01)	1043
4.2	L2CAP_CONNECTION_REQ (code 0x02)	1044
4.3	L2CAP_CONNECTION_RSP (code 0x03)	1046
4.4	L2CAP_CONFIGURATION_REQ (code 0x04)	1047
4.5	L2CAP_CONFIGURATION_RSP (code 0x05)	1049
4.6	L2CAP_DISCONNECTION_REQ (code 0x06)	1052
4.7	L2CAP_DISCONNECTION_RSP (code 0x07)	1052
4.8	L2CAP_ECHO_REQ (code 0x08)	1053



- 4.9 L2CAP_ECHO_RSP (code 0x09)..... 1053
- 4.10 L2CAP_INFORMATION_REQ (code 0x0A) 1054
- 4.11 L2CAP_INFORMATION_RSP (code 0x0B)..... 1055
- 4.12 Extended Feature Mask 1056
- 4.13 Fixed Channels Supported over BR/EDR..... 1057
- 4.14 [This section is no longer used] 1058
- 4.15 [This section is no longer used] 1058
- 4.16 [This section is no longer used] 1058
- 4.17 [This section is no longer used] 1058
- 4.18 [This section is no longer used] 1058
- 4.19 [This section is no longer used] 1058
- 4.20 L2CAP_CONNECTION_PARAMETER_UPDATE_REQ (code 0x12)..... 1058
- 4.21 L2CAP_CONNECTION_PARAMETER_UPDATE_RSP (code 0x13)..... 1059
- 4.22 L2CAP_LE_CREDIT_BASED_CONNECTION_REQ (code 0x14) 1060
- 4.23 L2CAP_LE_CREDIT_BASED_CONNECTION_RSP (code 0x15) 1062
- 4.24 L2CAP_FLOW_CONTROL_CREDIT_IND (code 0x16)..... 1063
- 4.25 L2CAP_CREDIT_BASED_CONNECTION_REQ (code 0x17)..... 1064
- 4.26 L2CAP_CREDIT_BASED_CONNECTION_RSP (code 0x18) 1065
- 4.27 L2CAP_CREDIT_BASED_RECONFIGURE_REQ (code 0x19) ... 1067
- 4.28 L2CAP_CREDIT_BASED_RECONFIGURE_RSP (code 0x1A) ... 1068
- 5 Configuration parameter options 1069**
 - 5.1 Maximum Transmission Unit (MTU) 1069
 - 5.2 Flush Timeout option 1071
 - 5.3 Quality of Service (QoS) option 1072
 - 5.4 Retransmission and Flow Control option 1076
 - 5.5 Frame Check Sequence (FCS) option..... 1081
 - 5.6 Extended Flow Specification option..... 1082
 - 5.7 Extended Window Size option 1087
- 6 State machine 1089**
 - 6.1 General rules for the state machine 1089
 - 6.1.1 CLOSED state 1090
 - 6.1.2 WAIT_CONNECT_RSP state 1091
 - 6.1.3 WAIT_CONNECT state 1091
 - 6.1.4 CONFIG state 1091



6.1.5	OPEN state	1096
6.1.6	WAIT_DISCONNECT state	1096
6.1.7	[This section is no longer used]	1097
6.1.8	[This section is no longer used]	1097
6.1.9	[This section is no longer used]	1097
6.1.10	[This section is no longer used]	1097
6.1.11	[This section is no longer used]	1097
6.1.12	[This section is no longer used]	1097
6.2	Timers events	1097
6.2.1	RTX.....	1097
6.2.2	ERTX	1098
7	General procedures	1101
7.1	Configuration process.....	1101
7.1.1	Request Path	1102
7.1.2	Response Path	1103
7.1.3	Lockstep Configuration process.....	1103
7.1.4	Standard Configuration process	1106
7.2	Fragmentation and recombination.....	1108
7.2.1	Fragmentation of L2CAP PDUs	1108
7.2.2	Recombination of L2CAP PDUs	1109
7.3	Encapsulation of SDUs.....	1109
7.3.1	Segmentation of L2CAP SDUs	1110
7.3.2	Reassembly of L2CAP SDUs	1111
7.3.3	Segmentation and fragmentation.....	1111
7.4	Delivery of erroneous L2CAP SDUs.....	1112
7.5	Operation with flushing On ACL-U logical links	1112
7.6	Connectionless data channel	1113
7.7	Operation collision resolution	1115
7.8	[This section is no longer used]	1115
7.9	Prioritizing data over HCI.....	1115
7.10	Supporting Extended Flow Specification for BR/EDR and BR/ EDR/LE Controllers	1115
7.11	Enhanced Credit-Based Flow Control Reconfiguration	1117
8	Procedures for Flow Control and Retransmission	1118
8.1	Information retrieval	1118
8.2	Function of PDU Types for Flow Control and Retransmission	1118
8.2.1	Information frame (I-frame).....	1118
8.2.2	Supervisory frame (S-frame).....	1118
8.2.2.1	Receiver Ready (RR)	1118
8.2.2.2	Reject (REJ).....	1119



- 8.3 Variables and sequence numbers 1119
 - 8.3.1 Sending peer..... 1119
 - 8.3.1.1 Send sequence number TxSeq..... 1119
 - 8.3.1.2 Send state variable NextTXSeq 1120
 - 8.3.1.3 Acknowledge state variable ExpectedAckSeq ...
1120
 - 8.3.2 Receiving peer 1121
 - 8.3.2.1 Receive sequence number ReqSeq..... 1121
 - 8.3.2.2 Receive state variable ExpectedTxSeq..... 1122
 - 8.3.2.3 Buffer state variable BufferSeq..... 1122
- 8.4 Retransmission mode 1123
 - 8.4.1 Transmitting frames 1123
 - 8.4.1.1 Last received R was set to zero 1123
 - 8.4.1.2 Last received R was set to one 1125
 - 8.4.2 Receiving I-frames 1125
 - 8.4.3 I-frames pulled by the SDU reassembly function..... 1125
 - 8.4.4 Sending and receiving acknowledgments..... 1126
 - 8.4.4.1 Sending acknowledgments 1126
 - 8.4.4.2 Receiving acknowledgments 1126
 - 8.4.5 Receiving REJ frames 1127
 - 8.4.6 Waiting acknowledgments 1127
 - 8.4.7 Exception conditions 1127
 - 8.4.7.1 TxSeq sequence error 1127
 - 8.4.7.2 ReqSeq sequence error 1128
 - 8.4.7.3 Timer recovery error 1128
 - 8.4.7.4 Invalid frame 1128
- 8.5 Flow Control mode 1129
 - 8.5.1 Transmitting I-frames 1129
 - 8.5.2 Receiving I-frames 1130
 - 8.5.3 I-frames pulled by the SDU reassembly function..... 1130
 - 8.5.4 Sending and receiving acknowledgments..... 1130
 - 8.5.4.1 Sending acknowledgments 1130
 - 8.5.4.2 Receiving acknowledgments 1131
 - 8.5.5 Waiting acknowledgments 1131
 - 8.5.6 Exception conditions 1131
 - 8.5.6.1 TxSeq sequence error 1131
 - 8.5.6.2 ReqSeq sequence error 1132
 - 8.5.6.3 Invalid frame 1132
- 8.6 Enhanced Retransmission mode..... 1132
 - 8.6.1 Function of PDU types 1133
 - 8.6.1.1 Receiver Ready (RR) 1133
 - 8.6.1.2 Reject (REJ) 1133



8.6.1.3	Receiver Not Ready (RNR)	1133
8.6.1.4	Selective Reject (SREJ)	1134
8.6.1.5	Functions of the Poll (P) and Final (F) bits .	1134
8.6.2	Rules for timers.....	1134
8.6.2.1	Timer rules for ACL-U logical links	1135
8.6.2.2	[This section is no longer used].....	1135
8.6.2.3	[This section is no longer used].....	1135
8.6.3	General rules for the state machine.....	1135
8.6.4	State diagram.....	1136
8.6.5	States tables	1137
8.6.5.1	State machines.....	1137
8.6.5.2	States	1137
8.6.5.3	Variables and timers	1138
8.6.5.4	Events	1141
8.6.5.5	Conditions	1142
8.6.5.6	Actions.....	1144
8.6.5.7	XMIT state table	1149
8.6.5.8	WAIT_F state table.....	1150
8.6.5.9	RECV state table.....	1150
8.6.5.10	REJ_SENT state table	1154
8.6.5.11	SREJ_SENT state table	1157
8.7	Streaming mode	1161
8.7.1	Transmitting I-frames	1161
8.7.2	Receiving I-frames.....	1161
8.7.3	Exception conditions.....	1162
8.7.3.1	TxSeq sequence error.....	1162
9	[This section is no longer used].....	1163
10	Procedures for Credit Based Flow Control	1164
10.1	LE Credit Based Flow Control mode	1164
10.2	Enhanced Credit Based Flow Control Mode.....	1165
Appendix A	Configuration MSCs	1166
Appendix B	Changes to signaling packet names	1169



1 INTRODUCTION

This section of the Bluetooth Specification defines the Logical Link Control and Adaptation Layer Protocol, referred to as L2CAP. L2CAP provides connection-oriented and connectionless data services to upper layer protocols with protocol multiplexing capability and segmentation and reassembly operation. L2CAP permits higher level protocols and applications to transmit and receive upper layer data packets (L2CAP Service Data Units, SDU) up to 64 kilobytes in length. L2CAP also permits per-channel flow control and retransmission.

The L2CAP layer provides logical channels, named L2CAP channels, which are multiplexed over one or more logical links.

1.1 L2CAP FEATURES

The functional requirements for L2CAP include protocol/channel multiplexing, segmentation and reassembly (SAR), per-channel flow control, and error control. L2CAP sits above a lower layer composed of one of the following:

1. BR/EDR Controller
2. BR/EDR/LE Controller (supporting BR/EDR and LE)
3. LE Controller (supporting LE only)

L2CAP interfaces with upper layer protocols.

[Figure 1.1](#) breaks down L2CAP into its architectural components. The Channel Manager provides the control plane functionality and is responsible for all internal signaling, L2CAP peer-to-peer signaling and signaling with higher and lower layers. It performs the state machine functionality described in [Section 6](#) and uses message formats described in [Section 4](#), and [Section 5](#). The Retransmission and Flow Control block provides per-channel flow control and error recovery using packet retransmission. The Resource Manager is responsible for providing a frame relay service to the Channel Manager, the Retransmission and Flow Control block and those application data streams that do not require Retransmission and Flow Control services. It is responsible for coordinating the transmission and reception of packets related to multiple L2CAP channels over the facilities offered at the lower layer interface.

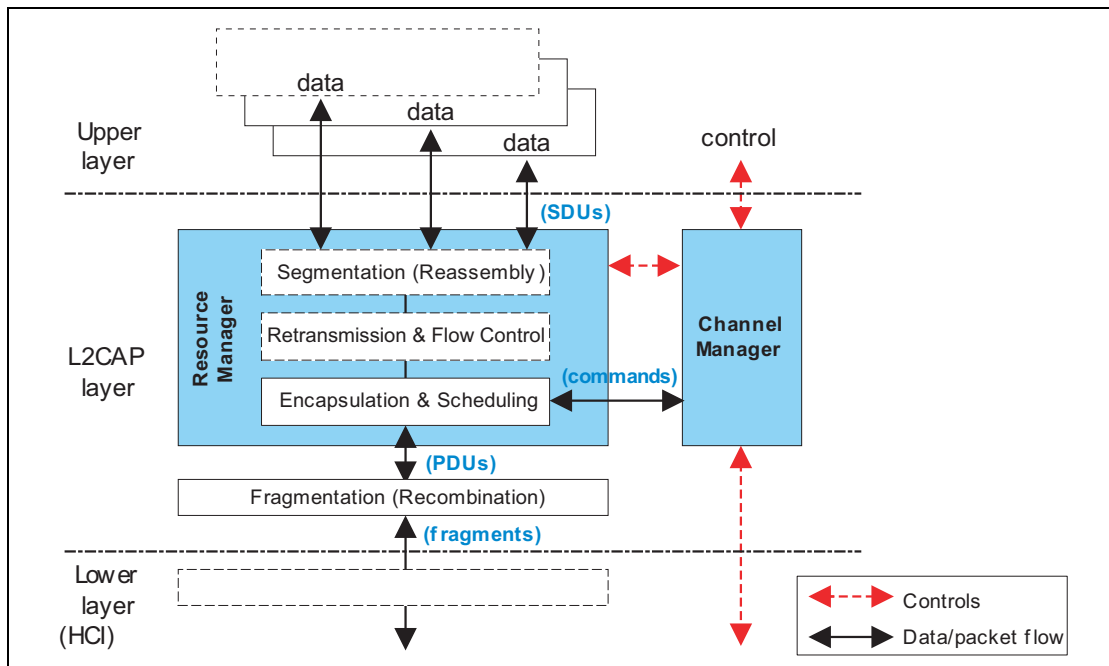


Figure 1.1: L2CAP architectural blocks

- **Protocol/channel multiplexing**

L2CAP supports multiplexing over individual Controllers. An L2CAP channel shall operate over one Controller. An L2CAP channel cannot move between Controllers.

During channel setup, protocol multiplexing capability is used to route the connection to the correct upper layer protocol.

For data transfer, logical channel multiplexing is needed to distinguish between multiple upper layer entities. There may be more than one upper layer entity using the same protocol.

- **Segmentation and reassembly**

With the frame relay service offered by the Resource Manager, the length of transport frames is controlled by the individual applications running over L2CAP. Many multiplexed applications are better served if L2CAP has control over the PDU length. This provides the following benefits:

- a) Segmentation will allow the interleaving of application data units in order to satisfy latency requirements.
- b) Memory and buffer management is easier when L2CAP controls the packet size.
- c) Error correction by retransmission can be made more efficient.
- d) The amount of data that is destroyed when an L2CAP PDU is corrupted or lost can be made smaller than the application's data unit.
- e) The application is decoupled from the segmentation required to map the application packets into the lower layer packets.



- *Flow control per L2CAP channel*

Controllers provide error and flow control for data going over the air and HCI flow control exists for data going over an HCI transport. When several data streams run over the same Controller using separate L2CAP channels, each channel requires individual flow control. A window based flow control scheme is provided.

- *Error control and retransmissions*

Some applications require a residual error rate much smaller than some Controllers can deliver. L2CAP provides error checks and retransmissions of L2CAP PDUs. The error checking in L2CAP protects against errors due to Controllers falsely accepting packets that contain errors but pass Controller-based integrity checks. L2CAP error checking and retransmission also protect against loss of packets due to flushing by the Controller. The error control works in conjunction with flow control in the sense that the flow control mechanism will throttle retransmissions as well as first transmissions.

- *Support for Streaming*

Streaming applications such as audio set up an L2CAP channel with an agreed-upon data rate and do not want flow control mechanisms, including those in the Controller, to alter the flow of data. A flush timeout is used to keep data flowing on the transmit side. Streaming mode is used to stop HCI and Controller based flow control from being applied on the receiving side.

- *Fragmentation and Recombination*

Some Controllers may have limited transmission capabilities and may require fragment sizes different from those created by L2CAP segmentation. Therefore layers below L2CAP may further fragment and recombine L2CAP PDUs to create fragments which fit each layer's capabilities. During transmission of an L2CAP PDU, many different levels of fragmentation and recombination may occur in both peer devices.

The HCI driver or Controller may fragment L2CAP PDUs to honor packet size constraints of a Host Controller Interface transport scheme. This results in HCI ACL Data packet payloads carrying start and continuation fragments of the L2CAP PDU. Similarly the Controller may fragment L2CAP PDUs to map them into Controller packets. This may result in Controller packet payloads carrying start and continuation fragments of the L2CAP PDU.

Each layer of the protocol stack may pass on different sized fragments of L2CAP PDUs, and the size of fragments created by a layer may be different in each peer device. However the PDU is fragmented within the stack, the receiving L2CAP entity still recombines the fragments to obtain the original L2CAP PDU.



- **Quality of Service**

The L2CAP connection establishment process allows the exchange of information regarding the quality of service (QoS) expected between two Bluetooth devices. Each L2CAP implementation monitors the resources used by the protocol and ensures that QoS contracts are honored.

For a BR/EDR or BR/EDR/LE Controller, L2CAP may support both isochronous (Guaranteed) and asynchronous (Best Effort) data flows over the same ACL logical link by marking packets as automatically-flushable or non-automatically-flushable by setting the appropriate value for the Packet_Boundary_Flag in the HCI ACL Data packet (see [Vol 4] Part E, Section 5.4.2). Automatically-flushable L2CAP packets are flushed according to the automatic flush timeout set for the ACL logical link on which the L2CAP channels are mapped (see [Vol 4] Part E, Section 6.19). Non-automatically-flushable L2CAP packets are not affected by the automatic flush timeout and will not be flushed. All L2CAP packets can be flushed by using the HCI_Flush command (see [Vol 4] Part E, Section 7.3.4).

Note: The terms "Guaranteed" and "Best Effort" are used as a shorthand to indicate that the implementation will or will not attempt to provide some level of quality of service. They do not make any statement as to what actual quality is provided; in particular, "Guaranteed" does not mean that successful delivery of data is guaranteed. Similarly, a "guarantee" is a set of resources (such as bandwidth and buffer space) allocated to a "Guaranteed" connection and does not mean that a specific data rate and latency will be provided under all possible circumstances.

1.2 ASSUMPTIONS

The protocol is designed based on the following assumptions:

1. Controllers provide orderly delivery of data packets, although there might be individual packet corruption and duplicates. For devices with a BR/EDR or BR/EDR/LE Controller, no more than one ACL-U logical link exists between any two devices. For devices with a BR/EDR/LE or LE Controller, no more than one LE-U logical link exists between any two devices.
2. Controllers always provide the impression of full-duplex communication channels. This does not imply that all L2CAP communications are bi-directional. Unidirectional traffic does not require duplex channels.
3. The L2CAP layer provides a channel with a degree of reliability based on the mechanisms available in Controllers and with additional packet segmentation, error detection, and retransmission that can be enabled in the enhanced L2CAP layer. Some Controllers perform data integrity checks and resend data until it has been successfully acknowledged or a timeout occurs. Other Controllers will resend data up to a certain number of times whereupon the data is flushed. Because acknowledgments may be lost, timeouts may occur even after the data has been successfully sent.



Note: The use of Baseband Broadcast packets in a BR/EDR or BR/EDR/LE Controller is unreliable and all broadcasts start the first segment of an L2CAP packet with the same sequence bit.

4. Controllers provide error and flow control for data going over the air and HCI flow control exists for data going over an HCI transport but some applications will want better error control than some Controllers provide. The Flow and Error Control block provides four modes. Enhanced Retransmission mode and Retransmission Mode offer segmentation, flow control and L2CAP PDU retransmissions. Flow control mode offers just the segmentation and flow control functions. Streaming mode offers segmentation and receiver side packet flushing.

1.3 SCOPE

The following features are outside the scope of L2CAP’s responsibilities:

- L2CAP does not transport synchronous data designated for SCO or eSCO logical transports.
- L2CAP does not support a reliable broadcast channel. See [Section 3.2](#).

1.4 TERMINOLOGY

The following formal definitions apply:

Term	Description
Upper layer	The system layer above the L2CAP layer, which exchanges data with L2CAP in the form of SDUs. The upper layer may be represented by an application or higher protocol entity known as the Service Level Protocol. The interface of the L2CAP layer with the upper layer is not specified.
Lower layer	The system layer below the L2CAP layer, which exchanges data with the L2CAP layer in the form of PDUs, or fragments of PDUs. The lower layer is mainly represented within the Controller, however a Host Controller interface (HCI) may be involved, such that an HCI Host driver could also be seen as the lower layer. Except for the HCI functional specification (in case HCI is involved) the interface between L2CAP and the lower layer is not specified.
L2CAP channel	The logical connection between two endpoints in peer devices, characterized by their Channel Identifiers (CID), which is multiplexed over one Controller based logical link.
SDU, or L2CAP SDU	Service Data Unit: a packet of data that L2CAP exchanges with the upper layer and transports transparently over an L2CAP channel using the procedures specified here. The term SDU is associated with data originating from upper layer entities only, i.e. does not include any protocol information generated by L2CAP procedures.

Table 1.1: Terminology (Sheet 1 of 4)



Term	Description
Segment, or SDU segment	<p>A part of an SDU, as resulting from the Segmentation procedure. An SDU may be split into one or more segments.</p> <p>Note: This term is relevant only to Enhanced Retransmission mode, Streaming mode, Retransmission Mode and Flow Control Mode, not to the Basic L2CAP Mode.</p>
Segmentation	<p>A procedure used in the L2CAP Retransmission and Flow Control Modes, resulting in an SDU being split into one or more smaller units, called Segments, as appropriate for the transport over an L2CAP channel.</p> <p>Note: This term is relevant only to the Enhanced Retransmission mode, Streaming mode, Retransmission Mode and Flow Control Mode, not to the Basic L2CAP Mode.</p>
Reassembly	<p>The reverse procedure corresponding to Segmentation, resulting in an SDU being re-established from the segments received over an L2CAP channel, for use by the upper layer. The interface between the L2CAP and the upper layer is not specified; therefore, reassembly may actually occur within an upper layer entity although it is conceptually part of the L2CAP layer.</p> <p>Note: This term is relevant only to Enhanced Retransmission mode, Streaming mode, Retransmission Mode and Flow Control Mode, not to the Basic L2CAP Mode.</p>
PDU, or L2CAP PDU	<p>Protocol Data Unit: a packet of data containing L2CAP protocol information fields, control information, and/or upper layer information data. A PDU is always started by a Basic L2CAP header. Types of PDUs are: B-frames, I-frames, S-frames, C-frames, G-frames, and K-frames.</p>
Basic L2CAP header	<p>Minimum L2CAP protocol information that is present in the beginning of each PDU: a PDU length field and a field containing the Channel Identifier (CID).</p>
Basic information frame (B-frame)	<p>A B-frame is a PDU used in the Basic L2CAP mode for L2CAP data packets. It contains a complete SDU as its payload, encapsulated by a Basic L2CAP header.</p>
Information frame (I-frame)	<p>An I-frame is a PDU used in Enhanced Retransmission Mode, Streaming mode, Retransmission mode, and Flow Control Mode. It contains an SDU segment and additional protocol information, encapsulated by a Basic L2CAP header</p>
Supervisory frame (S-frame)	<p>An S-frame is a PDU used in Enhanced Retransmission Mode, Retransmission Mode, and Flow Control Mode. It contains protocol information only, encapsulated by a Basic L2CAP header, and no SDU data.</p>
Control frame (C-frame)	<p>A C-frame is a PDU that contains L2CAP signaling messages exchanged between the peer L2CAP entities. C-frames are exclusively used on the L2CAP signaling channels.</p>

Table 1.1: Terminology (Sheet 2 of 4)



Term	Description
Group frame (G-frame)	A G-frame is a PDU exclusively used on the Connectionless L2CAP channel. It is encapsulated by a Basic L2CAP header and contains the PSM followed by the completed SDU. G-frames may be used to broadcast data to active Peripherals via Active Peripheral Broadcast or to send unicast data to a single remote device.
Credit-based frame (K-frame)	A K-frame is a PDU used in LE Credit Based Flow Control Mode and Enhanced Credit Based Flow Control Mode. It contains an SDU segment and additional protocol information, encapsulated by a Basic L2CAP header.
Fragment	A part of a PDU, as resulting from a fragmentation operation. Fragments are used only in the delivery of data to and from the lower layer. They are not used for peer-to-peer transportation. A fragment may be a Start or Continuation Fragment with respect to the L2CAP PDU. A fragment does not contain any protocol information beyond the PDU; the distinction of start and continuation fragments is transported by lower layer protocol provisions. Note: Start Fragments always either begin with the first octet of the Basic L2CAP header of a PDU or they have a length of zero (see [Vol 2] Part B, Section 6.6.2).
Fragmentation	A procedure used to split L2CAP PDUs to smaller parts, named fragments, appropriate for delivery to the lower layer transport. Although described within the L2CAP layer, fragmentation may actually occur in an HCI Host driver, and/or in a Controller, to accommodate the L2CAP PDU transport to HCI ACL Data packet or Controller packet sizes. Fragmentation of PDUs may be applied in all L2CAP modes.
Recombination	The reverse procedure corresponding to fragmentation, resulting in an L2CAP PDU re-established from fragments. In the receive path, full or partial recombination operations may occur in the Controller and/or the Host, and the location of recombination does not necessarily correspond to where fragmentations occurs on the transmit side.
Maximum Transmission Unit (MTU)	The maximum size of an SDU, in octets, that the upper layer entity is capable of accepting.
Payload Size	The amount of SDU data in a single PDU, in octets; equivalently, the number of octets in the Information Payload field of a PDU.
Maximum PDU payload Size (MPS)	The maximum payload size in octets that the L2CAP layer entity is capable of accepting. In the absence of segmentation, or in the Basic L2CAP Mode, the Maximum Transmission Unit is the same as the Maximum PDU payload Size and the two configuration parameters shall be set to the same value.
Signaling MTU (MTU _{sig})	The maximum size of command information that the L2CAP layer entity is capable of accepting. The MTU _{sig} , refers to the signaling channel only and corresponds to the maximum size of a C-frame, excluding the Basic L2CAP header. The MTU _{sig} value of a peer is discovered when a C-frame that is too large is rejected by the peer.

Table 1.1: Terminology (Sheet 3 of 4)



Term	Description
Connectionless MTU (MTU _{cnl})	The maximum size of the connection packet information that the L2CAP layer entity is capable of accepting. The MTU _{cnl} refers to the connectionless channel only and corresponds to the maximum G-frame, excluding the Basic L2CAP header and the PSM which immediately follows it. The MTU _{cnl} of a peer can be discovered by sending an L2CAP_INFORMATION_REQ packet.
MaxTransmit	<p>In Enhanced Retransmission mode and Retransmission mode, MaxTransmit controls the number of transmissions of a PDU that L2CAP is allowed to try before assuming that the PDU (and the link) is lost. The minimum value is 1 (only 1 transmission permitted). In Enhanced Retransmission mode a value 0 means infinite transmissions.</p> <p>Note: Setting MaxTransmit to 1 prohibits PDU retransmissions. Failure of a single PDU will cause the link to drop. By comparison, in Flow Control mode, failure of a single PDU will not necessarily cause the link to drop.</p>

Table 1.1: Terminology (Sheet 4 of 4)

2 GENERAL OPERATION

L2CAP is based around the concept of '*channels*'. Each one of the endpoints of an L2CAP channel is referred to by a *channel identifier (CID)*.

2.1 CHANNEL IDENTIFIERS

A channel identifier (CID) is the local name representing a logical channel endpoint on the device. The scope of CIDs is related to the logical link as shown in [Figure 2.1](#). The null identifier (0x0000) shall never be used as a destination endpoint. Identifiers from 0x0001 to 0x003F are reserved for specific L2CAP functions. These channels are referred to as fixed channels. At a minimum, the L2CAP Signaling channel (fixed channel 0x0001) or the L2CAP LE Signaling channel (fixed channel 0x0005) shall be supported. If fixed channel 0x0005 is supported, then fixed channels 0x0004 and 0x0006 shall be supported (see [Table 2.3](#)). Other fixed channels may be supported. The L2CAP_INFORMATION_REQ / L2CAP_INFORMATION_RSP mechanism (described in [Section 4.10](#) and [Section 4.11](#)) shall be used to determine which fixed channels a remote device supports over the ACL-U logical link. Each fixed channel has the same CID at each end of the logical link carrying the channel.

The characteristics of each fixed channel are defined on a per channel basis. Fixed channel characteristics include configuration parameters (e.g., reliability, MTU size, QoS), security, and the ability to change parameters using the L2CAP configuration mechanism. [Table 2.1](#) lists the defined fixed channels, provides a reference to where the associated channel characteristics are defined and specifies the logical link over which the channel may operate. Fixed channels are available as soon as the ACL-U or LE-U logical link is set up. All initialization that is normally performed when a channel is created shall be performed for each of the supported fixed channels when the ACL-U or LE-U logical link is set up. Fixed channels shall only run over ACL-U, APB-U, or LE-U logical links.

Implementations are free to manage the remaining CIDs in a manner best suited for that particular implementation, with the provision that two simultaneously active L2CAP channels on the same logical link (i.e., to the same peer device using the same transport) shall not share the same CID. A different CID name space exists for each ACL-U, APB-U, and LE-U logical link. [Table 2.1](#) to [Table 2.3](#) summarize the definition and partitioning of the CID name space for each type of logical link.

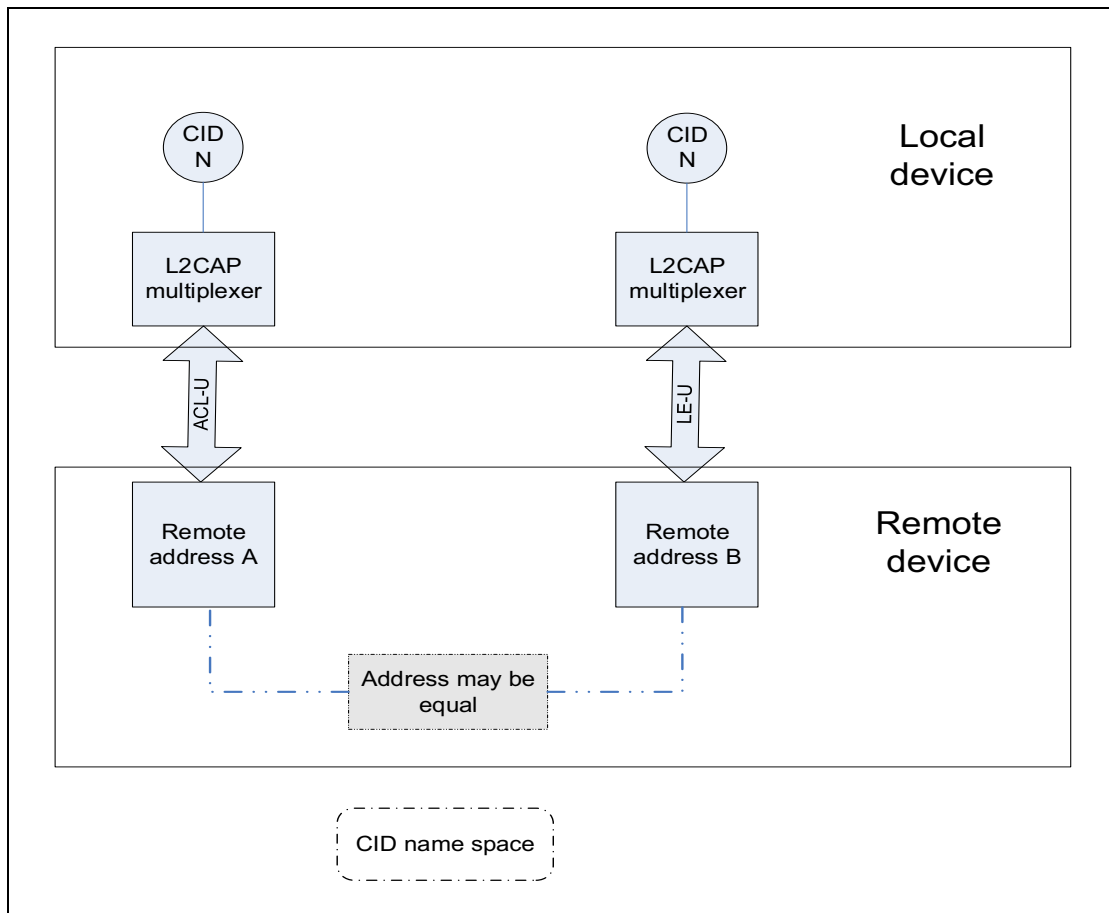


Figure 2.1: Dynamically allocated CID assignments

Assignment of dynamically allocated CIDs is relative to a particular logical link and a device can assign CIDs independently from other devices. Thus, even if the same CID value has been assigned to (remote) channel endpoints by several remote devices connected to a single local device, the local device can still uniquely associate each remote CID with a different device. Further, even if the same CID value has been assigned to (remote) channel endpoints by the same remote device, these can be distinguished because they will be bound to a different logical link.

The CID name space for ACL-U logical links is as follows:

CID	Description	Channel Characteristics
0x0000	Null identifier	Not allowed
0x0001	L2CAP Signaling channel	See Section 4
0x0002	Connectionless channel	See Section 7.6
0x0003	Previously used	Not applicable
0x0007	BR/EDR Security Manager	See [Vol 3] Part H

Table 2.1: CID name space on ACL-U logical links



CID	Description	Channel Characteristics
0x003F	Previously used	Not applicable
0x0040 to 0xFFFF	Dynamically allocated	Communicated using L2CAP configuration mechanism (see Section 7.1) or the L2CAP credit based create connection mechanism (see Section 4.25)
All other values	Reserved for future use	Not applicable

Table 2.1: CID name space on ACL-U logical links

The CID name space for APB-U logical links is as follows:

CID	Description	Channel Characteristics
0x0000	Null identifier	Not allowed
0x0002	Connectionless channel	See Section 7.6
All other values	Reserved for future use	Not applicable

Table 2.2: CID name space on APB-U logical links

The CID name space for LE-U logical links is as follows:

CID	Description	Channel Characteristics
0x0000	Null identifier	Not Allowed
0x0004	Attribute Protocol	See [Vol 3] Part F
0x0005	L2CAP LE Signaling channel	See Section 4
0x0006	Security Manager protocol	See [Vol 3] Part H
0x0020 to 0x003E	Assigned Numbers	
0x0040 to 0x007F	Dynamically allocated	Communicated using the L2CAP LE credit based create connection mechanism (see Section 4.22) or the L2CAP credit based create connection mechanism (see Section 4.25)
All other values	Reserved for future use	Not applicable

Table 2.3: CID name space on LE-U logical links



2.2 OPERATION BETWEEN DEVICES

Figure 2.2 illustrates the use of CIDs in a communication between corresponding peer L2CAP entities in separate devices. The connection-oriented data channels represent a connection between two devices, where a CID, combined with the logical link, identifies each endpoint of the channel. When used for broadcast transmissions, the connectionless channel restricts data flow to a single direction. The connectionless channel may be used to transmit data to all active Peripherals, using Active Peripheral Broadcast. When used for unicast transmissions the connectionless channel may be used in either direction between a Central and a Peripheral.

There are also a number of CIDs reserved for special purposes. The L2CAP signaling channels are examples of reserved channels. Fixed channel 0x0001 is used to create and establish connection-oriented data channels and to negotiate changes in the characteristics of connection-oriented channels and to discover characteristics of the connectionless channel operating over the ACL-U logical link.

The L2CAP Signaling channel (0x0001) and all supported fixed channels are available immediately when the ACL-U logical link is established between two devices. Another CID (0x0002) is reserved for all incoming and outgoing connectionless data traffic, whether broadcast or unicast. Connectionless data traffic may flow immediately once the ACL-U logical link is established between two devices and once the transmitting device has determined that the remote device supports connectionless traffic.

The L2CAP LE Signaling channel (0x0005) and all supported fixed channels are available immediately when the LE-U logical link is established between two devices.

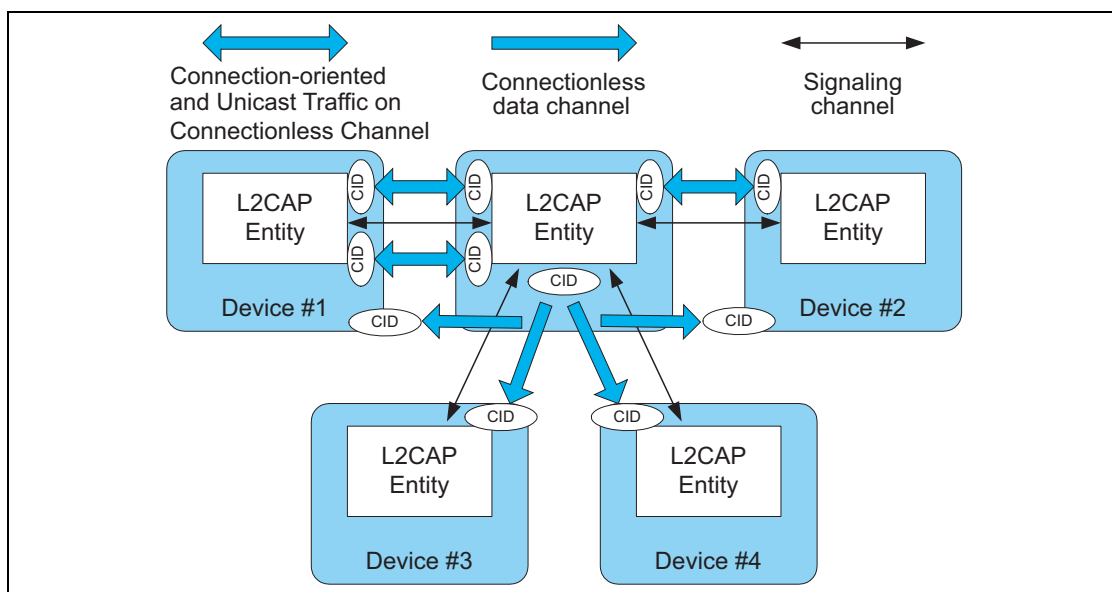


Figure 2.2: Channels between devices



Table 2.4 describes the various channel types and their source and destination identifiers. A dynamically allocated CID is allocated to identify, along with the logical link, the local endpoint and shall be in the range 0x0040 to 0xFFFF for ACL-U, 0x0040 to 0x007F for LE-U. Section 6 describes the state machine associated with each connection-oriented channel with a dynamically allocated CID. Section 3.1 and Section 3.3 describe the packet format associated with connection-oriented channels. Section 3.2 describes the packet format associated with the connectionless channel.

Channel Type	Local CID (sending)	Remote CID (receiving)
Connection-oriented	Dynamically allocated and fixed	Dynamically allocated and fixed
Connectionless data	0x0002 (fixed)	0x0002 (fixed)
L2CAP Signaling	0x0001 and 0x0005 (fixed)	0x0001 and 0x0005 (fixed)

Table 2.4: Types of channel identifiers

2.3 OPERATION BETWEEN LAYERS

L2CAP implementations should follow the general architecture described below. L2CAP implementations transfer data between upper layer protocols and the lower layer protocol. This document lists a number of services that should be exported by any L2CAP implementation. Each implementation shall also support a set of signaling commands for use between L2CAP implementations. L2CAP implementations should also be prepared to accept certain types of events from lower layers and generate events to upper layers. How these events are passed between layers is implementation specific.

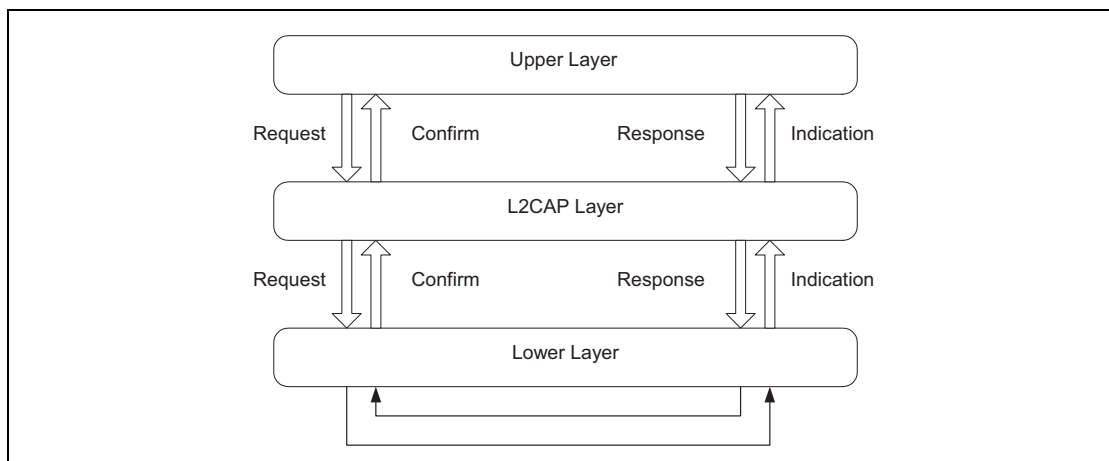


Figure 2.3: L2CAP transaction model



2.4 MODES OF OPERATION

L2CAP channels may operate in one of several different modes as selected for each L2CAP channel.

The modes are:

- Basic L2CAP Mode (BR/EDR and some LE fixed channels only)
- Flow Control Mode (BR/EDR only)
- Retransmission Mode (BR/EDR only)
- Enhanced Retransmission Mode (BR/EDR only)
- Streaming Mode (BR/EDR only)
- LE Credit Based Flow Control Mode (LE only)
- Enhanced Credit Based Flow Control Mode (BR/EDR and LE)

The modes are enabled using the configuration procedure described in [Section 7.1](#). The Basic L2CAP Mode shall be the default mode, which is used when no other mode is agreed. Enhanced Retransmission mode shall be used for ACL-U logical links operating as described in [Section 7.10](#). Enhanced Retransmission mode should be enabled for reliable channels created over ACL-U logical links not operating as described in [Section 7.10](#). Streaming mode shall be used for ACL-U logical links operating as described in [Section 7.10](#). Streaming mode should be enabled for streaming applications created over ACL-U logical links not operating as described in [Section 7.10](#). Enhanced Retransmission mode, Enhanced Credit Based Flow Control mode, or Streaming mode should be enabled when supported by both L2CAP entities. Flow Control Mode and Retransmission mode shall only be enabled when communicating with L2CAP entities that do not support Enhanced Retransmission mode, Enhanced Credit Based Flow Control mode, or Streaming mode.

In Flow Control mode, Retransmission mode, and Enhanced Retransmission mode, PDUs exchanged with a peer entity are numbered and acknowledged. The sequence numbers in the PDUs are used to control buffering, and a TxWindow size is used to limit the required buffer space and/or provide a method for flow control.

In Flow Control Mode no retransmissions take place, but missing PDUs are detected and can be reported as lost.

In Retransmission Mode a timer is used to ensure that all PDUs are delivered to the peer, by retransmitting PDUs as needed. A go-back-n repeat mechanism is used to simplify the protocol and limit the buffering requirements.

Enhanced Retransmission mode is similar to Retransmission mode. It adds the ability to set a POLL bit to solicit a response from a remote L2CAP entity, adds



the SREJ S-frame to improve the efficiency of error recovery and adds an RNR S-frame to replace the R-bit for reporting a local busy condition.

Streaming mode is for real-time isochronous traffic. PDUs are numbered but are not acknowledged. A finite flush timeout is set on the sending side to flush packets that are not sent in a timely manner. On the receiving side if the receive buffers are full when a new PDU is received then a previously received PDU is overwritten by the newly received PDU. Missing PDUs can be detected and reported as lost. TxWindow size is not used in Streaming mode.

LE Credit Based Flow Control Mode is used for LE L2CAP connection-oriented channels for flow control using a credit based scheme for L2CAP data (i.e. not signaling packets).

Enhanced Credit Based Flow Control Mode is used for L2CAP connection-oriented channels on both LE and BR/EDR for flow control using a credit-based scheme for L2CAP data (i.e. not signaling packets). A BR/EDR/LE device that implements Enhanced Credit Based Flow Control Mode may support it on BR/EDR only, on LE only, or on both.

Enhanced Retransmission Mode should be used instead of Enhanced Credit Based Flow Control Mode for data being transmitted over BR/EDR.

Care should be taken in selecting the parameters used for Enhanced Retransmission mode and Streaming mode when they are used beneath legacy profile implementations to ensure that performance is not negatively impacted relative to the performance achieved when using the same profile with Basic mode on an ACL-U logical link. It may be preferable to configure Basic mode to minimize the risk of negative performance impacts.

2.5 MAPPING CHANNELS TO LOGICAL LINKS

L2CAP maps channels to Controller logical links, which in turn run over Controller physical links. All logical links going between a local Controller and remote Controller run over a single physical link. There is one ACL-U logical link per BR/EDR physical link and one LE-U logical link per LE physical link.

All Best Effort and Guaranteed channels going over a BR/EDR physical link between two devices shall be mapped to a single ACL-U logical link. All channels going over an LE physical link between two devices shall be treated as best effort and mapped to a single LE-U logical link.

When a Guaranteed channel is created, a corresponding Guaranteed logical link shall be created to carry the channel traffic. Creation of a Guaranteed logical link involves admission control. Admission control is verifying that the guarantee can be achieved without compromising existing guarantees. For a BR/EDR Controller, admission control (creation of a Guaranteed logical link) shall be performed by the L2CAP layer.



3 DATA PACKET FORMAT

L2CAP is packet-based but follows a communication model based on *channels*. A channel represents a data flow between L2CAP entities in remote devices. Channels may be connection-oriented or connectionless. All channels other than the L2CAP connectionless channel (CID 0x0002) and the two L2CAP signaling channels (CIDs 0x0001 and 0x0005) are connection-oriented. All L2CAP layer packet fields shall use little-endian byte order with the exception of the information payload field. The endianness of higher layer protocols encapsulated within L2CAP information payload is protocol-specific.

If a PDU is received on a CID that is not assigned or is reserved for future use on the logical link type, the recipient shall ignore that PDU.

In all L2CAP PDUs, the PDU Length field indicates the size of the entire L2CAP PDU in octets, excluding the 4 octets of the Basic L2CAP header. Therefore a PDU cannot be more than 65539 octets long.

In PDUs that contain an Information Payload field, the number of octets in that field (the payload size) shall not be greater than the peer device's MPS for the channel.

3.1 CONNECTION-ORIENTED CHANNELS IN BASIC L2CAP MODE

Figure 3.1 illustrates the format of the L2CAP PDU used on connection-oriented channels. In basic L2CAP mode, the L2CAP PDU on a connection-oriented channel is also referred to as a "B-frame".

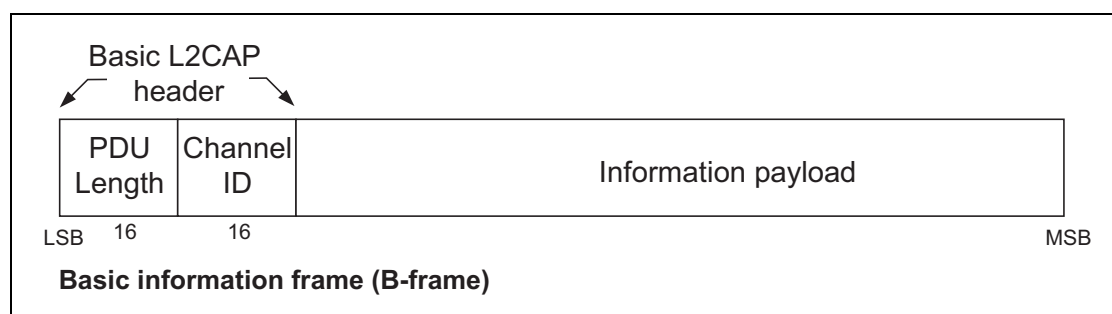


Figure 3.1: L2CAP PDU format in Basic L2CAP mode on connection-oriented channels (field sizes in bits)

The fields shown are:

- *PDU Length: 2 octets (16 bits)*

For B-frames, the PDU Length equals the payload size and can be up to 65535 octets. The PDU Length field is used for recombination and serves as a simple integrity check of the recombined L2CAP packet on the receiving end.



- **Channel ID: 2 octets**
The channel ID (CID) identifies the destination channel endpoint of the packet.
- **Information payload: 0 to 65535 octets**
This contains the payload received from the upper layer protocol (outgoing packet), or delivered to the upper layer protocol (incoming packet). The payload size shall not be greater than the peer device's MTU for the channel. The MTU for channels with dynamically allocated CIDs is determined during channel configuration (see [Section 5.1](#)). The minimum supported MTU values for the signaling PDUs are shown in [Table 4.1](#).

3.2 CONNECTIONLESS DATA CHANNEL IN BASIC L2CAP MODE

[Figure 3.2](#) illustrates the L2CAP PDU format within a connectionless data channel. Here, the L2CAP PDU is also referred to as a "G-frame".

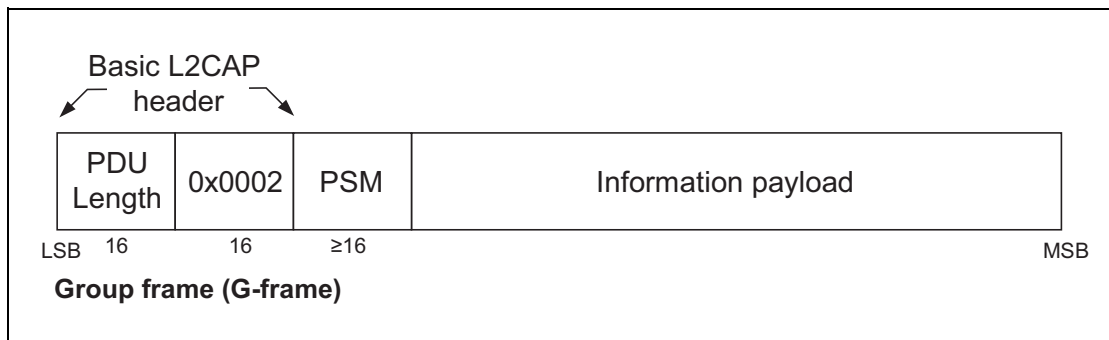


Figure 3.2: L2CAP PDU format on the connectionless channel

The fields shown are:

- **PDU Length: 2 octets**
For G-frames, the PDU Length equals the payload size plus the number of octets in the PSM.
- **Channel ID: 2 octets**
Channel ID (0x0002) reserved for connectionless traffic.
- **Protocol/Service Multiplexer (PSM): 2 octets (minimum)**
For information on the PSM field see [Section 4.2](#).
- **Information payload: 0 to 65533 octets**
This parameter contains the payload information to be distributed to all Peripherals in the piconet for broadcast connectionless traffic, or to a specific remote device for data sent via the L2CAP connectionless channel. The payload size shall not be greater than the peer device's MTU for the channel. Implementations shall support a connectionless MTU (MTU_{cnl}) of 48 octets on the connectionless channel. Devices may also explicitly change to a larger or smaller connectionless MTU (MTU_{cnl}).



Note: The maximum size of the Information payload field decreases accordingly if the PSM field is extended beyond the two octet minimum.

3.3 CONNECTION-ORIENTED CHANNEL IN RETRANSMISSION/FLOW CONTROL/STREAMING MODES

To support flow control, retransmissions, and streaming, L2CAP PDU types with protocol elements in addition to the Basic L2CAP header are defined. The information frames (I-frames) are used for information transfer between L2CAP entities. The supervisory frames (S-frames) are used to acknowledge I-frames and request retransmission of I-frames. Figure 3.3 illustrates these frames.

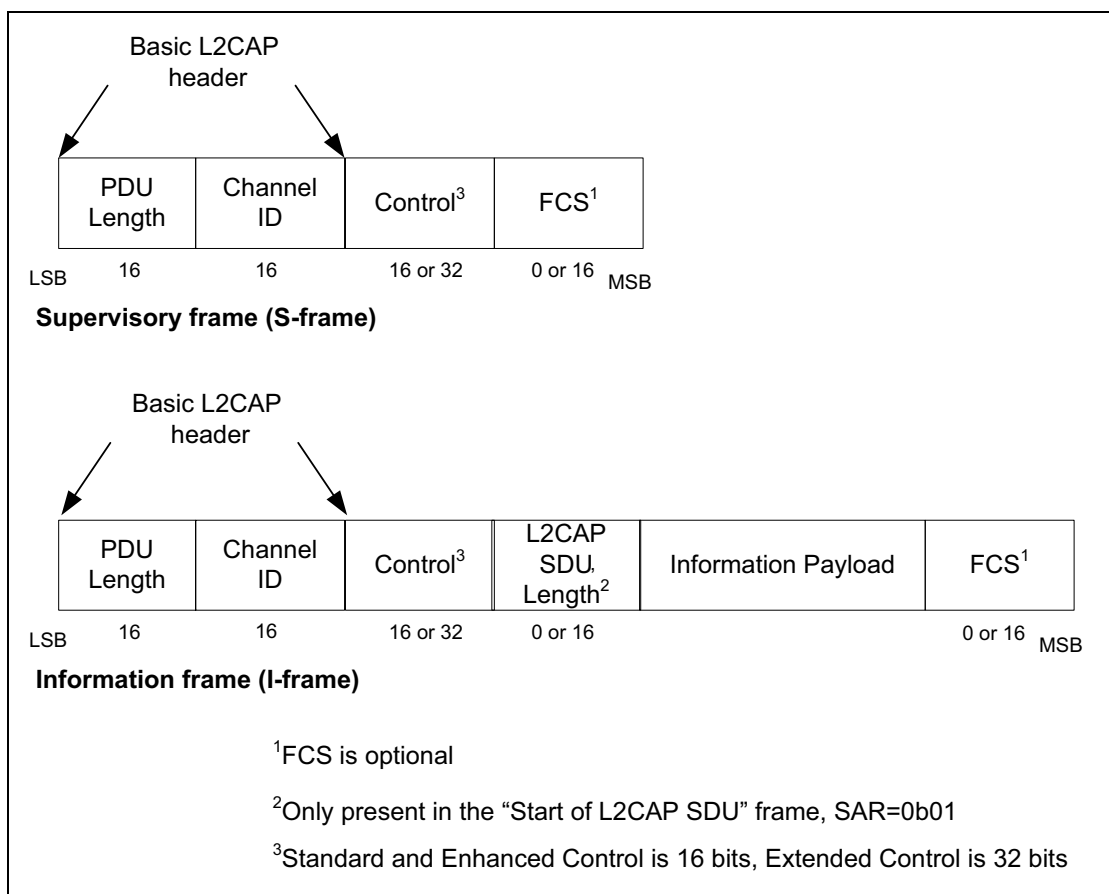


Figure 3.3: L2CAP PDU formats in Flow Control and Retransmission modes

3.3.1 L2CAP header fields

- *PDU Length: 2 octets*

For I-frames and S-frames, the PDU Length equals the sum of the octet lengths of the Control, L2CAP SDU Length (when present), Information Payload, and frame check sequence (FCS) (when present) fields. The PDU Length field of an S-frame therefore equals 2, 4, or 6.

The maximum number of Information octets (the payload size) in one I-frame is based on which fields are present and the type of the Control



Field. The maximum number of Information octets in an I-frame with a Standard Control field is as follows:

L2CAP SDU Length present and FCS present	65529 octets
L2CAP SDU Length present and FCS not present	65531 octets
L2CAP SDU Length not present and FCS present	65531 octets
L2CAP SDU Length not present and FCS not present	65533 octets

The maximum number of Information octets in an I-frame with an Extended Control field is as follows:

L2CAP SDU Length present and FCS present	65527 octets
L2CAP SDU Length present and FCS not present	65529 octets
L2CAP SDU Length not present and FCS present	65529 octets
L2CAP SDU Length not present and FCS not present	65531 octets

- *Channel ID: 2 octets*

This field contains the Channel Identification (CID).

3.3.2 Control field

The Control Field identifies whether the frame is an S-frame or I-frame and contains various information about the frame. There are three different Control Field formats: the Standard Control Field, the Enhanced Control Field, and the Extended Control Field. Which format is used is determined by the mode and is not indicated within the frame. The Standard Control Field shall be used for Retransmission mode and Flow Control mode. The Enhanced and Extended Control Fields shall be used for Enhanced Retransmission mode and Streaming mode. The Enhanced Control Fields shall be used until the first successful use of the Extended Window Size option (see [Section 5.7](#)) and Extended Control Fields thereafter. The Control Field will contain sequence numbers where applicable. Its coding is shown in [Figure 3.4](#) to [Figure 3.9](#). There are two different frame types, Information frame types and Supervisory frame types. Information and Supervisory frames types are distinguished by the least significant bit in the Control Field.

- *Information frame format (I-frame)*

The I-frames are used to transfer information between L2CAP entities. Each I-frame has a TxSeq(Send sequence number), ReqSeq(Receive sequence number) which can acknowledge additional I-frames received by the data Link Layer entity. Each I-frame with a Standard Control field has a retransmission bit (R bit) that affects whether I-frames are retransmitted. Each I-frame with an Enhanced Control Field or an Extended Control Field has an F-bit that is used in Poll/Final bit functions.

The SAR field in the I-frame is used for segmentation and reassembly control. The L2CAP SDU Length field specifies the length of an SDU, including the aggregate length across all segments if segmented.



- *Supervisory frame format (S-frame)*

S-frames are used to acknowledge I-frames and request retransmission of I-frames. Each S-frame has an ReqSeq sequence number which may acknowledge additional I-frames received by the data Link Layer entity. Each S-frame with a Standard Control Field has a retransmission bit (R bit) that affects whether I-frames are retransmitted. Each S-frame with an Enhanced Control field or an Extended Control Field has a Poll bit (P-bit) and a Final bit (F-bit) and does not have an R-bit.

Defined types of S-frames are RR (Receiver Ready), REJ (Reject), RNR (Receiver Not Ready) and SREJ (Selective Reject).

I-frame Standard Control Field				
LSB		MSB		
Type (1 bit)	TxSeq (6 bits)	R (1 bit)	ReqSeq (6 bits)	SAR (2 bits)

Figure 3.4: I-frame Standard Control Field format

I-frame Enhanced Control Field				
LSB		MSB		
Type (1 bit)	TxSeq (6 bits)	F (1 bit)	ReqSeq (6 bits)	SAR (2 bits)

Figure 3.5: I-frame Enhanced Control Field format

I-frame Extended Control Field				
LSB		MSB		
Type (1 bit)	F (1 bit)	ReqSeq (14 bits)	SAR (2 bits)	TxSeq (14 bits)

Figure 3.6: I-frame Extended Control Field format

S-frame Standard Control Field						
LSB		MSB				
Type (1 bit)	RFU (1 bit)	S (2 bits)	RFU (3 bits)	R (1 bit)	ReqSeq (6 bits)	RFU (2 bits)

Figure 3.7: S-frame Standard Control Field format



S-frame Enhanced Control Field							
LSB				MSB			
Type (1 bit)	RFU (1 bit)	S (2 bits)	P (1 bit)	RFU (2 bits)	F (1 bit)	ReqSeq (6 bits)	RFU (2 bits)

Figure 3.8: S-frame Enhanced Control Field format

S-frame Extended Control Field					
LSB			MSB		
Type (1 bit)	F (1 bit)	ReqSeq (14 bits)	S (2 bits)	P (1 bit)	RFU (13 bits)

Figure 3.9: S-frame Extended Control Field format

- Type**

The type bit shall be 0 for an I-frame and 1 for an S-frame.
- Send Sequence Number - TxSeq**

The send sequence number is used to number each I-frame, to enable sequencing and retransmission.
- Receive Sequence Number - ReqSeq**

The receive sequence number is used by the receiver side to acknowledge I-frames, and in the REJ and SREJ frames to request the retransmission of an I-frame with a specific send sequence number.
- Retransmission Disable Bit - R**

The Retransmission Disable bit is used to implement Flow Control. The receiver sets the bit when its internal receive buffer is full, this happens when one or more I-frames have been received but the SDU reassembly function has not yet pulled all the frames received. When the sender receives a frame with the Retransmission Disable bit set it shall disable the RetransmissionTimer, this causes the sender to stop retransmitting I-frames.

R=0: Normal operation. Sender uses the RetransmissionTimer to control retransmission of I-frames. Sender does not use the MonitorTimer.

R=1: Receiver side requests sender to postpone retransmission of I-frames. Sender monitors signaling with the MonitorTimer. Sender does not use the RetransmissionTimer.

The functions of ReqSeq and R are independent.
- Segmentation and Reassembly - SAR**

The SAR bits define whether an L2CAP SDU is segmented. For segmented SDUs, the SAR bits also define which part of an SDU is in this I-frame, thus allowing one L2CAP SDU to span several I-frames.



An I-frame with SAR="Start of L2CAP SDU" also contains an L2CAP SDU Length field, specifying the number of information octets in the total L2CAP SDU. The encoding of the SAR bits is shown in [Table 3.1](#).

0b00	Unsegmented L2CAP SDU
0b01	Start of L2CAP SDU
0b10	End of L2CAP SDU
0b11	Continuation of L2CAP SDU

Table 3.1: SAR control element format

- **Supervisory function - S**

The S-bits mark the type of S-frame. There are four types defined: RR (Receiver Ready), REJ (Reject), RNR (Receiver Not Ready) and SREJ (Selective Reject). The encoding is shown in [Table 3.2](#).

0b00	RR - Receiver Ready
0b01	REJ - Reject
0b10	RNR - Receiver Not Ready
0b11	SREJ - Select Reject

Table 3.2: S control element format: type of S-frame

- **Poll - P**

The P-bit is set to 1 to solicit a response from the receiver. The receiver shall respond immediately with a frame with the F-bit set to 1.

- **Final - F**

The F-bit is set to 1 in response to an S-frame with the P bit set to 1.

3.3.3 L2CAP SDU Length field (2 octets)

When an SDU spans more than one I-frame, the first I-frame in the sequence shall be identified by SAR=0b01="Start of L2CAP SDU". The L2CAP SDU Length field shall specify the total number of octets in the SDU and shall not be greater than the peer device's MTU for the channel. The L2CAP SDU Length field shall be present in I-frames with SAR=0b01 (Start of L2CAP SDU) and shall not be used in any other I-frames. When the SDU is unsegmented (SAR=0b00), the L2CAP SDU Length field is not needed and shall not be present.

3.3.4 Information Payload field

The information payload field consists of an integer number of octets. The maximum number of octets in this field is the same as the negotiated value of the MPS configuration parameter. The maximum number of octets in this field also depends on which other fields are present (see [Section 3.3.1](#)). If



SAR=0b00 (Unsegmented L2CAP SDU) then the payload size shall not be greater than the peer device's MTU for the channel.

3.3.5 Frame Check Sequence (2 octets)

The Frame Check Sequence (FCS) is 2 octets. This field is mandatory in Retransmission and Flow Control modes. Whether it is present or absent in Enhanced Retransmission and Streaming modes is configurable (see Section 5.5).

The FCS is constructed using the generator polynomial $g(D) = D^{16} + D^{15} + D^2 + 1$ (see Figure 3.10). The 16 bit LFSR is initially loaded with the value 0x0000, as depicted in Figure 3.11. The switch S is set in position 1 while data is shifted in, LSB first for each octet. After the last bit has entered the LFSR, the switch is set in position 2, and the register contents are transmitted from right to left (i.e. starting with position 15, then position 14, etc.). The FCS covers the Basic L2CAP header, Control, L2CAP SDU Length, and Information Payload fields, if present, as shown in Figure 3.3.

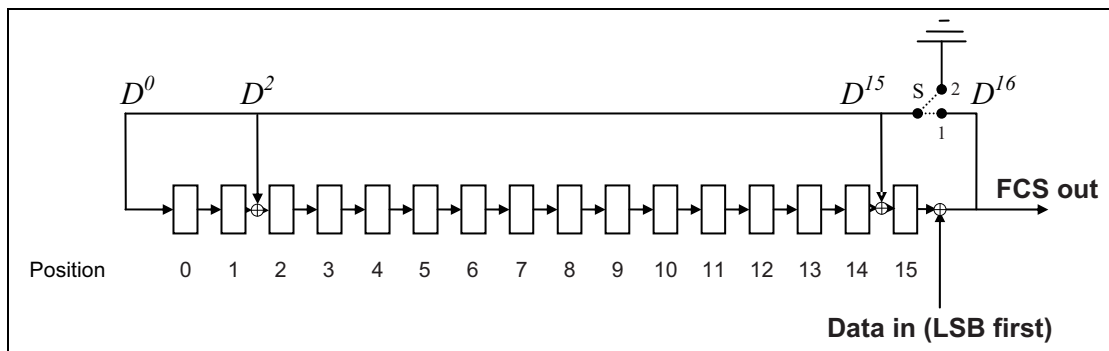


Figure 3.10: The LFSR circuit generating the FCS

Position	0	1	2	3	4	5	6	7	8	9	10	11	12	13	14	15
LFSR	0	0	0	0	0	0	0	0	0	0	0	0	0	0	0	0

Figure 3.11: Initial state of the FCS generating circuit

Examples of FCS calculation, $g(D) = D^{16} + D^{15} + D^2 + 1$:

1. I Frame

- PDU Length = 14
- Channel ID = 0x0040
- Control = 0x0002 (SAR=0b00, ReqSeq=0b000000, R=0, TxSeq=0b000001)
- Information Payload = 00 01 02 03 04 05 06 07 08 09 (10 octets, hexadecimal notation)
- ==> FCS = 0x6138
- ==> Data to Send = 0E 00 40 00 02 00 00 01 02 03 04 05 06 07 08 09 38 61 (hexadecimal notation)



2. RR Frame

PDU Length = 4

Channel ID = 0x0040

Control = 0x0101 (ReqSeq=0b000001, R=0, S=0b00)

==> FCS = 0x14D4

==> Data to Send = 04 00 40 00 01 01 D4 14 (hexadecimal notation)

3.3.6 Invalid Frame Detection (Retransmission and Flow Control modes)

For Retransmission mode and Flow Control mode, a received PDU shall be regarded as invalid if one of the following conditions occurs:

1. Contains an unknown CID.
2. Contains an FCS error.
3. I-frame with a payload size greater than the maximum PDU payload size (MPS).
4. I-frame that has fewer than 8 octets (i.e., PDU Length less than 4).
5. I-frame with SAR=0b01 (Start of L2CAP SDU) that has fewer than 10 octets (i.e., PDU Length less than 6).
6. I-frame with SAR bits that do not correspond to a normal sequence of either unsegmented or start, continuation, end for the given CID.
7. S-frame where the PDU Length field is not equal to 4.

These error conditions may be used for error reporting.

3.3.7 Invalid Frame Detection algorithm

For Enhanced Retransmission mode and Streaming mode the following algorithm shall be used for received PDUs. It may be used for Retransmission mode and Flow Control mode:

1. Check the CID. If the PDU contains an unknown CID then it shall be ignored.
2. Check the FCS. If the PDU contains an FCS error then it shall be ignored. If the channel is configured to use "No FCS" then the PDU is considered to have a good FCS (no FCS error).
3. Check the following conditions. If one of the conditions occurs the channel shall be closed or in the case of fixed channels the ACL shall be disconnected.
 - a) I-frame with a payload size greater than the maximum PDU payload size (MPS).
 - b) I-frame that has fewer than the required number of octets. If the channel is configured to use a Standard or Enhanced Control Field then the required number of octets is 6 if "No FCS" is configured; otherwise, it is 8. If the channel is configured to use the Extended



- Control Field then the required number of octets is 8 if "No FCS" is configured; otherwise, it is 10.
- c) S-frame where the PDU Length field is invalid. If the channel is configured to use a Standard or Enhanced Control Field then the PDU Length field shall be 2 if "No FCS" is configured; otherwise, the PDU Length field shall be 4. If the channel is configured to use the Extended Control Field then the PDU Length field shall be 4 if "No FCS" is configured; otherwise, the PDU Length field shall be 6.
4. Check the SAR bits. The SAR check is performed after the frame has been successfully received in the correct sequence. The PDU is invalid if one of the following conditions occurs:
 - a) I-frame with SAR=0b01 (Start of L2CAP SDU) that has fewer than the required number of octets. If the channel is configured to use a Standard or Enhanced Control field then the required number of octets is 8 if "No FCS" is configured; otherwise, the required number of octets is 10. If the channel is configured to use an Extended Control field then the required number of octets is 10 if "No FCS" is configured; otherwise, the required number of octets is 12.
 - b) I-frame with SAR bits that do not correspond to a normal sequence of either unsegmented or start, continuation, end for the given CID.
 - c) I-frame with SAR= 0b01 (Start of L2CAP SDU) where the value in the L2CAP SDU Length field exceeds the configured MTU.
 5. If the I-frame has been received in the correct sequence and is invalid as described in 4 then the channel shall be closed or in the case of fixed channels the ACL shall be disconnected. For Streaming mode and Flow Control mode if one or more I-frames are missing from a sequence of I-frames using SAR bits of start, continuation and end then received I-frames in the sequence may be ignored. For Flow Control mode and Streaming mode I-frames received out of sequence with SAR bits of unsegmented may be accepted.

If the algorithm is used for Retransmission mode or Flow control mode then it shall be used instead of Invalid Frame detection described in [Section 3.3.6](#).

These error conditions may be used for error reporting.

3.4 CONNECTION-ORIENTED CHANNELS IN LE CREDIT BASED FLOW CONTROL MODE AND ENHANCED CREDIT BASED FLOW CONTROL MODE

To support LE Credit Based Flow Control Mode and Enhanced Credit Based Flow Control Mode, an L2CAP PDU type with protocol elements in addition to the Basic L2CAP header is defined. In LE Credit Based Flow Control Mode and



Enhanced Credit Based Flow Control Mode, the L2CAP PDU on a connection-oriented channel is a Credit-based frame (K-frame) as illustrated in [Figure 3.12](#).

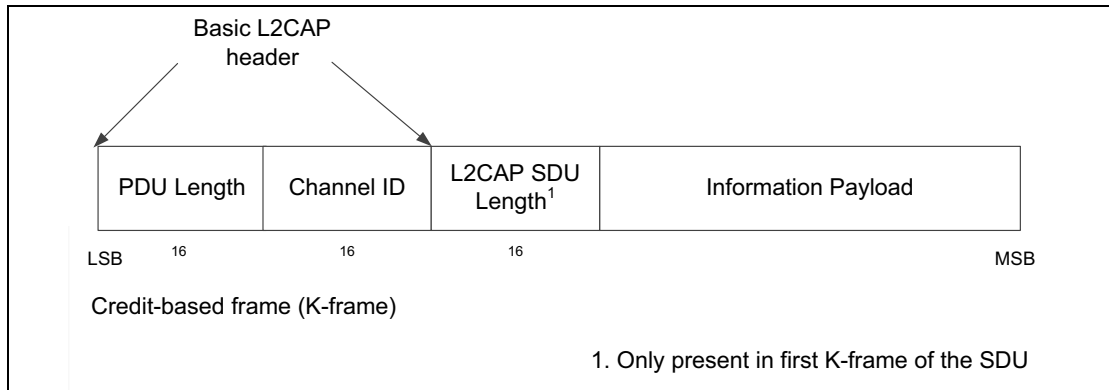


Figure 3.12: L2CAP PDU format in LE Credit Based Flow Control and Enhanced Credit Based Flow Control modes

3.4.1 L2CAP Header fields

- PDU Length: 2 octets**

For K-frames, the PDU Length field equals the payload size plus the octet length of the L2CAP SDU Length (when present).
- Channel ID: 2 octets**

The channel ID (CID) identifies the destination channel endpoint of the packet.

3.4.2 L2CAP SDU Length field (2 octets)

The first K-frame of the SDU shall contain the L2CAP SDU Length field that shall specify the total number of octets in the SDU. The value shall not be greater than the peer device's MTU for the channel. All subsequent K-frames that are part of the same SDU shall not contain the L2CAP SDU Length field.

3.4.3 Information Payload field

The information payload field consists of an integer number of octets.

The number of octets contained in the first K-frame information payload of the SDU is equal to the PDU Length minus 2 octets. All subsequent K-frames of the same SDU contain the number of octets in the information payload equal to the PDU Length.

If the SDU length field value exceeds the receiver's MTU, the receiver shall disconnect the channel. If the payload size of any K-frame exceeds the receiver's MPS, the receiver shall disconnect the channel. If the sum of the payload sizes for the K-frames exceeds the specified SDU length, the receiver shall disconnect the channel.

4 SIGNALING PACKET FORMATS

This section describes the signaling commands passed between two L2CAP entities on peer devices. All signaling commands are sent over a signaling channel. The signaling channel for managing channels over ACL-U logical links shall use CID 0x0001 and the signaling channel for managing channels over LE-U logical links shall use CID 0x0005. Signaling channels are available as soon as the lower layer logical transport is set up and L2CAP traffic is enabled. [Figure 4.1](#) illustrates the general format of L2CAP PDUs containing signaling commands (C-frames). Multiple commands may be sent in a single C-frame over fixed channel CID 0x0001 while only one command per C-frame shall be sent over fixed channel CID 0x0005. Commands take the form of Requests, Responses, and Indications. All L2CAP implementations shall support the reception of C-frames with a payload size that does not exceed the signaling MTU. The minimum supported payload size for the C-frame (MTU_{sig}) is defined in [Table 4.1](#). L2CAP implementations should not use C-frames that exceed the MTU_{sig} of the peer device. If a device receives a C-frame that exceeds its MTU_{sig} then it shall send an L2CAP_COMMAND_REJECT_RSP packet containing the supported MTU_{sig} . Implementations shall be able to handle the reception of multiple commands in an L2CAP packet sent over fixed channel CID 0x0001.

Note: The name of a signalling packet has a suffix indicating its type: `_REQ` for requests, `_RSP` for responses, and `_IND` for indications.

A signaling packet that is not correctly formed is invalid behavior (see [\[Vol 1\] Part E, Section 2.7](#)). Examples of signaling packets that are not correctly formed include:

- The packet is less than 4 octets long.
- The Data Length field is not correct for the type of packet, such as an L2CAP_CONNECTION_REQ packet with a Data Length other than 4 or an L2CAP_INFORMATION_RSP with InfoType = 0x0003, Result = 0x0000, and Data Length not equal to 12.
- The PDU Length of the C-frame does not equal the sum of the sizes of the contained packets.
- The Reason or Status field has an unknown value.
- A C-frame on fixed channel 0x0005 contains more than one signaling packet.



Logical Link	Minimum Supported Payload Size for the C-frame (MTU _{sig})
ACL-U not supporting Extended Flow Specification	48 octets
ACL-U supporting the Extended Flow Specification feature	672 octets
LE-U	23 octets

Table 4.1: Minimum signaling MTU

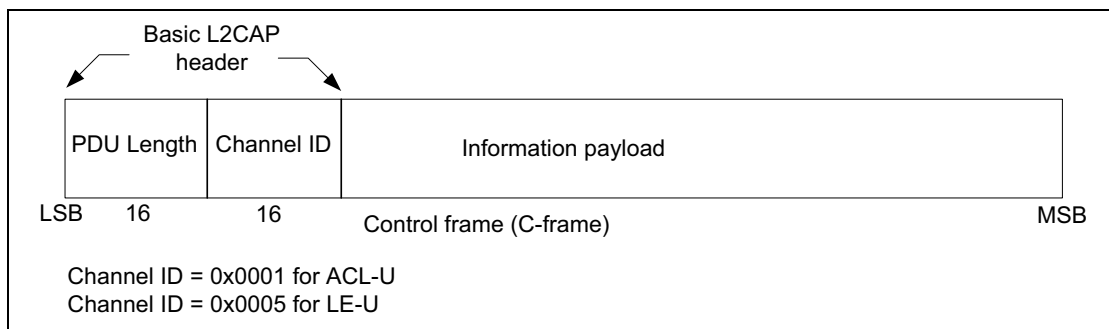


Figure 4.1: L2CAP PDU format on a signaling channel

For C-frames, the PDU Length equals the payload size.

Figure 4.2 displays the general format of all signaling commands.

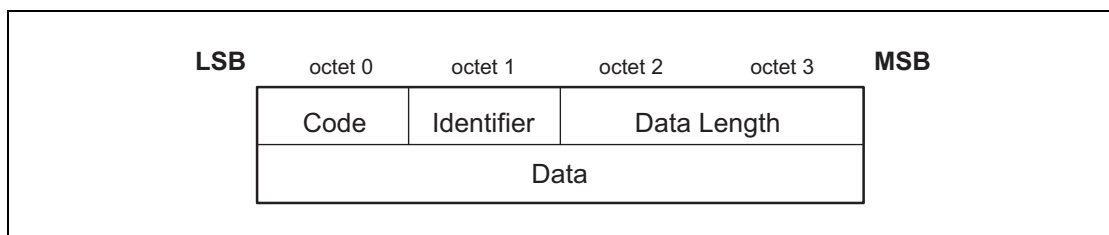


Figure 4.2: Command format

The fields shown are:

- **Code (1 octet)**

The Code field is one octet long and identifies the type of command. When a packet is received with a Code field that is unknown or disallowed on the signaling channel it is received on, an L2CAP_COMMAND_REJECT_RSP packet (defined in Section 4.1) is sent in response.



Table 4.2 lists the codes defined by this document. All codes are specified with the most significant bit in the left-most position.

Code	Description	CIDs on which Code is Allowed
0x01	L2CAP_COMMAND_REJECT_RSP	0x0001 and 0x0005
0x02	L2CAP_CONNECTION_REQ	0x0001
0x03	L2CAP_CONNECTION_RSP	0x0001
0x04	L2CAP_CONFIGURATION_REQ	0x0001
0x05	L2CAP_CONFIGURATION_RSP	0x0001
0x06	L2CAP_DISCONNECTION_REQ	0x0001 and 0x0005
0x07	L2CAP_DISCONNECTION_RSP	0x0001 and 0x0005
0x08	L2CAP_ECHO_REQ	0x0001
0x09	L2CAP_ECHO_RSP	0x0001
0x0A	L2CAP_INFORMATION_REQ	0x0001
0x0B	L2CAP_INFORMATION_RSP	0x0001
0x0C to 0x11	Previously used	None
0x12	L2CAP_CONNECTION_PARAMETER_UPDATE_REQ	0x0005
0x13	L2CAP_CONNECTION_PARAMETER_UPDATE_RSP	0x0005
0x14	L2CAP_LE_CREDIT_BASED_CONNECTION_REQ	0x0005
0x15	L2CAP_LE_CREDIT_BASED_CONNECTION_RSP	0x0005
0x16	L2CAP_FLOW_CONTROL_CREDIT_IND	0x0001 and 0x0005
0x17	L2CAP_CREDIT_BASED_CONNECTION_REQ	0x0001 and 0x0005
0x18	L2CAP_CREDIT_BASED_CONNECTION_RSP	0x0001 and 0x0005
0x19	L2CAP_CREDIT_BASED_RECONFIGURE_REQ	0x0001 and 0x0005
0x1A	L2CAP_CREDIT_BASED_RECONFIGURE_RSP	0x0001 and 0x0005
Other	Reserved for future use	Any

Table 4.2: Signaling command codes

- *Identifier (1 octet)*

The Identifier field is one octet long and matches responses with requests. The requesting device sets this field and the responding device uses the same value in its response. Within each signaling channel a different Identifier shall be used for each successive command. Following the original transmission of an Identifier in a command, the Identifier may be recycled if all other Identifiers have subsequently been used.



RTX and ERTX timers are used to determine when the remote end point is not responding to signaling requests. On the expiration of a RTX or ERTX timer, the same identifier shall be used if a duplicate Request is re-sent as stated in [Section 6.2](#).

A device receiving a duplicate request on a particular signaling channel should reply with a duplicate response on the same signaling channel. A command response with an invalid identifier is silently discarded. Signaling identifier 0x00 is an invalid identifier and shall never be used in any command.

- *Data Length (2 octets)*

The Data Length field is two octets long and indicates the size in octets of the data field of the command only, i.e., it does not cover the Code, Identifier, and Data Length fields.

- *Data (0 or more octets)*

The Data field is variable in length. The Code field determines the format of the Data field. The Data Length field specifies the length of the Data field.

4.1 L2CAP_COMMAND_REJECT_RSP (CODE 0x01)

An L2CAP_COMMAND_REJECT_RSP packet shall be sent in response to a command packet with an unknown command code or when sending the corresponding response is inappropriate. [Figure 4.3](#) defines the format of the packet. The identifier shall match the identifier of the command packet being rejected. Implementations shall always send these packets in response to unidentified signaling packets. L2CAP_COMMAND_REJECT_RSP packets should not be sent in response to an identified Response packet.

When multiple commands are included in an L2CAP packet and the packet exceeds the signaling MTU (MTU_{sig}) of the receiver, a single L2CAP_COMMAND_REJECT_RSP packet shall be sent in response. The identifier shall match the first Request command in the L2CAP packet. If only Responses are recognized, the packet shall be silently discarded.

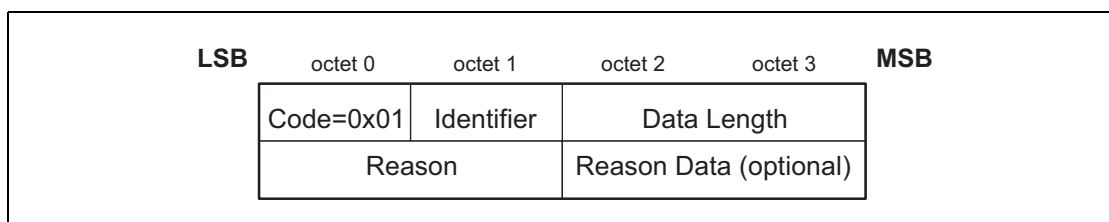


Figure 4.3: L2CAP_COMMAND_REJECT_RSP packet



The data fields are:

- *Reason (2 octets)*

The Reason field describes why the Request packet was rejected, and is set to one of the Reason codes in [Table 4.3](#).

Reason value	Description
0x0000	Command not understood
0x0001	Signaling MTU exceeded
0x0002	Invalid CID in request
Other	Reserved for future use

Table 4.3: Reason code descriptions

- *Reason Data (0 or more octets)*

The length and content of the Reason Data field depends on the Reason code. If the Reason code is 0x0000, “Command not understood”, no Reason Data field is used. If the Reason code is 0x0001, “Signaling MTU Exceeded”, the 2-octet Reason Data field represents the maximum signaling MTU the sender of this packet can accept.

If a command refers to an invalid channel then the Reason code 0x0002 will be returned. Typically a channel is invalid because it does not exist. The Reason Data field shall be 4 octets containing the local (first) and remote (second) channel endpoints (relative to the sender of the L2CAP_COMMAND_-REJECT_RSP packet) of the disputed channel. The remote endpoint is the source CID from the rejected command. The local endpoint is the destination CID from the rejected command. If the rejected command contains only one of the channel endpoints, the other one shall be replaced by the null CID 0x0000.

Reason value	Reason Data length	Reason Data value
0x0000	0 octets	
0x0001	2 octets	Actual MTU _{sig}
0x0002	4 octets	Requested CIDs

Table 4.4: Reason data values

4.2 L2CAP_CONNECTION_REQ (CODE 0x02)

L2CAP_CONNECTION_REQ packets are sent to create an L2CAP channel between two devices. The L2CAP channel shall be established before configuration begins. [Figure 4.4](#) defines the format of the packet.

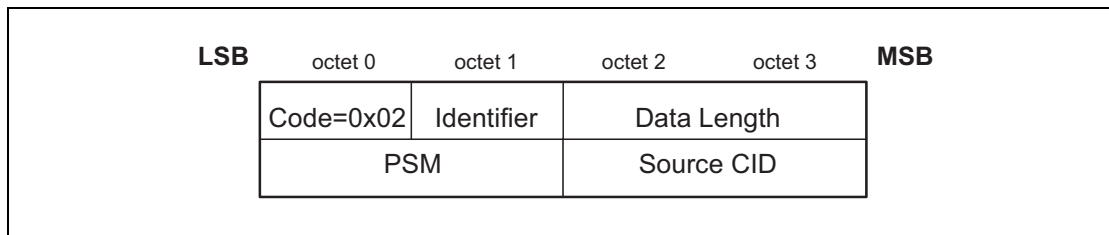


Figure 4.4: L2CAP_CONNECTION_REQ packet

The data fields are:

- **Protocol/Service Multiplexer - PSM (2 octets (minimum))**

The PSM field is at least two octets in length. All PSM values shall have the least significant bit of the most significant octet equal to 0 and the least significant bit of all other octets equal to 1.

Note: This means that all PSMs are odd numbers and that the end of a PSM can be easily found by searching for the first even octet.

PSM values are separated into two ranges. Valid values in the first range are assigned by the Bluetooth SIG and indicate protocols. The second range of values are dynamically allocated and used in conjunction with the Service Discovery protocol (SDP). The dynamically assigned values may be used to support multiple implementations of a particular protocol.

PSM values in the first range are defined in [Assigned Numbers](#).

Range	Type	Server Usage	Client Usage
0x0001 to 0x0EFF (Note ¹)	Fixed, SIG assigned	PSM is fixed for all implementations.	PSM may be obtained via SDP or may be assumed for a fixed service. Protocol used is indicated by the PSM.
>0x1000	Dynamic	PSM may be fixed for a given implementation or may be assigned at the time the service is registered in SDP.	PSM shall be obtained via SDP upon every reconnection. PSM for one direction will typically be different from the other direction.

Table 4.5: PSM ranges and usage

1. Since PSMs are odd and the least significant bit of the most significant byte is zero, the following ranges do not contain valid PSMs: 0x0100-0x01FF, 0x0300-0x03FF, 0x0500-0x05FF, 0x0700-0x07FF, 0x0900-0x09FF, 0x0B00-0x0BFF, 0x0D00-0x0DFF. All even values are also not valid as PSMs.

- **Source CID - SCID (2 octets)**

The source CID is two octets in length and represents a channel endpoint on the device sending the request. Once the channel has been configured, data packets flowing to the sender of the request shall be sent to this CID. Thus, the Source CID represents the channel endpoint on the device sending the request and receiving the response. The value of the Source CID shall be



from the dynamically allocated range as defined in [Table 2.1](#) and shall not be already allocated to a different channel on the same logical link on the device sending the request.

4.3 L2CAP_CONNECTION_RSP (CODE 0x03)

When a device receives an L2CAP_CONNECTION_REQ packet, it shall send an L2CAP_CONNECTION_RSP packet. [Figure 4.5](#) defines the format of the packet.

Note: Implementations conforming to a version of the specification lower than version 4.2 may respond with an L2CAP_COMMAND_REJECT_RSP (Reason 0x0002 – Invalid CID In Request) packet under conditions now covered by result codes of 0x0006 and 0x0007.

If the device sends an L2CAP_CONNECTION_RSP packet with result code "pending", then it shall subsequently send another L2CAP_CONNECTION_RSP (see also [\[Vol 3\] Part C, Section 5.2.2.2](#)).

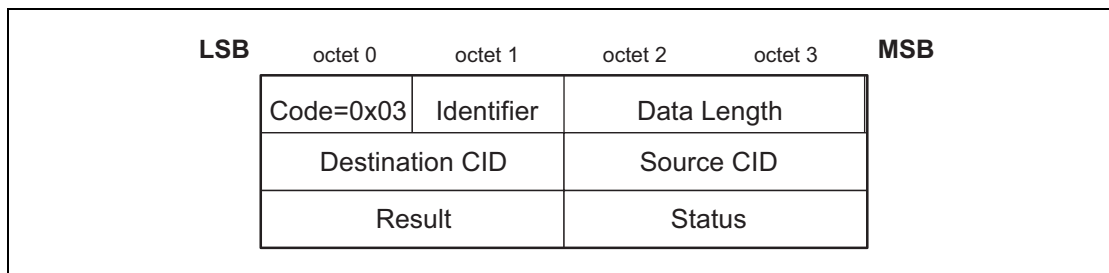


Figure 4.5: L2CAP_CONNECTION_RSP packet

The data fields are:

- **Destination Channel Identifier - DCID (2 octets)**
 This field contains the channel endpoint on the device sending this Response packet. Thus, the Destination CID represents the channel endpoint on the device receiving the request and sending the response. The value of the Destination CID shall be from the dynamically allocated range as defined in [Table 2.1](#) and shall not be already allocated to a different channel on the same logical link on the device sending the response.
- **Source Channel Identifier - SCID (2 octets)**
 This field contains the channel endpoint on the device receiving this Response packet. This is copied from the SCID field of the L2CAP_CONNECTION_REQ packet.
- **Result (2 octets)**
 The result field indicates the outcome of the connection request. The result value of 0x0000 indicates success while a non-zero value indicates the connection request failed or is pending. A logical channel is established on the receipt of a successful result unless the DCID field is outside of the



dynamically allocated range (see [Table 2.1](#)) or is already allocated on the device sending the response. [Table 4.6](#) defines values for this field. If the result field does not indicate the connection was successful, the DCID and SCID fields may be invalid and shall be ignored.

Value	Description
0x0000	Connection successful.
0x0001	Connection pending
0x0002	Connection refused – PSM not supported.
0x0003	Connection refused – security block.
0x0004	Connection refused – no resources available.
0x0006	Connection refused – invalid Source CID
0x0007	Connection refused – Source CID already allocated
Other	Reserved for future use.

Table 4.6: Result values for the L2CAP_CONNECTION_RSP packet

- **Status (2 octets)**

Only defined for Result = Pending. Indicates the status of the connection. The status is set to one of the values shown in [Table 4.7](#).

Value	Description
0x0000	No further information available
0x0001	Authentication pending
0x0002	Authorization pending
Other	Reserved for future use

Table 4.7: Status values for the L2CAP_CONNECTION_RSP packet

4.4 L2CAP_CONFIGURATION_REQ (CODE 0x04)

L2CAP_CONFIGURATION_REQ packets are sent to establish an initial logical link transmission contract between two L2CAP entities and also to re-negotiate this contract whenever appropriate. The contract consists of a set of configuration parameter options defined in [Section 5](#). All parameter options have default values and can have previously agreed values which are values that were accepted in a previous configuration process or in a previous step in the current configuration process. The only parameters that should be included in the L2CAP_CONFIGURATION_REQ packet are those that require different values than the default or previously agreed values.

If no parameters need to be negotiated or specified then no options shall be inserted and the continuation flag (C) shall be set to zero. Any missing configuration parameters are assumed to have their most recently explicitly or



implicitly accepted values. Even if all default values are acceptable, an L2CAP_CONFIGURATION_REQ packet with no options shall be sent. Implicitly accepted values are default values for the configuration parameters that have not been explicitly negotiated for the specific channel under configuration.

See [Section 7.1](#) for details of the configuration procedure.

[Figure 4.6](#) defines the format of the packet.

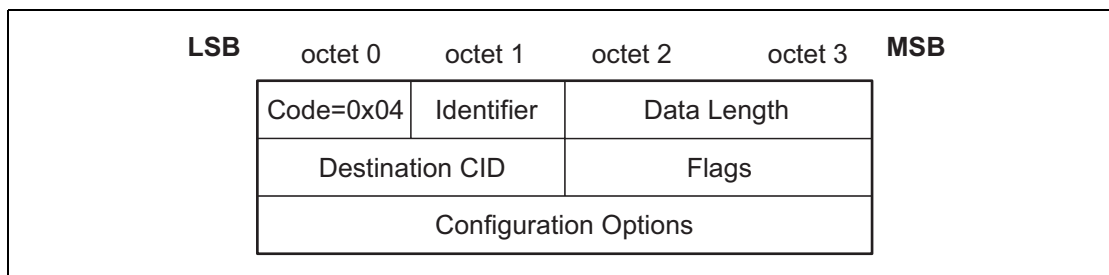


Figure 4.6: L2CAP_CONFIGURATION_REQ packet

The data fields are:

- *Destination CID - DCID (2 octets)*

This field contains the channel endpoint on the device receiving this Request packet.

- *Flags (2 octets)*

[Figure 4.7](#) shows the two-octet Flags field. Note the most significant bit is shown on the left.

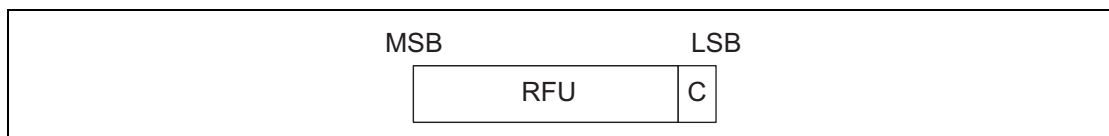


Figure 4.7: L2CAP_CONFIGURATION_REQ Flags field format

Only one flag is defined, the Continuation flag (C).

When both L2CAP entities support the Extended Flow Specification option, the Continuation flag shall not be used and shall be set to zero in all L2CAP_CONFIGURATION_REQ and L2CAP_CONFIGURATION_RSP packets.

When all configuration options cannot fit into an L2CAP_CONFIGURATION_REQ packet with a payload size that does not exceed the receiver's MTU_{sig}, the options shall be passed in multiple L2CAP_CONFIGURATION_REQ packets. If all options fit into the receiver's MTU_{sig}, then they shall be sent in a single L2CAP_CONFIGURATION_REQ packet with the continuation flag set to zero. Each L2CAP_CONFIGURATION_REQ packet shall only contain complete options - partially formed options



shall not be sent in a packet. Each L2CAP_CONFIGURATION_REQ packet shall be tagged with a different Identifier and shall be matched with an L2CAP_CONFIGURATION_RSP packet with the same Identifier.

When used in the L2CAP_CONFIGURATION_REQ packet, the continuation flag indicates the responder should expect to receive multiple request packets. The responder shall reply to each L2CAP_CONFIGURATION_REQ packet. The responder may reply to each L2CAP_CONFIGURATION_REQ packet with an L2CAP_CONFIGURATION_RSP packet containing the same option(s) present in the Request (except for those error conditions more appropriate for an L2CAP_COMMAND_REJECT_RSP packet), or the responder may reply with a "Success" L2CAP_CONFIGURATION_RSP packet containing no options, delaying those options until the full Request has been received. The L2CAP_CONFIGURATION_REQ packet with the continuation flag cleared shall be treated as the L2CAP_CONFIGURATION_REQ event in the channel state machine.

When used in the L2CAP_CONFIGURATION_RSP packet, the continuation flag shall be set to one if the flag is set to one in the Request. If the continuation flag is set to one in the Response when the matching Request has the flag set to zero, it indicates the responder has additional options to send to the requestor. In this situation, the requestor shall send null-option L2CAP_CONFIGURATION_REQ packets (with continuation flag set to zero) to the responder until the responder replies with an L2CAP_CONFIGURATION_RSP packet where the continuation flag is set to zero. The L2CAP_CONFIGURATION_RSP packet with the continuation flag set to zero shall be treated as the L2CAP_CONFIGURATION_RSP event in the channel state machine.

The result of the configuration transaction is success if all the individual result values are success, and is failure otherwise.

Other flags are reserved for future use.

- *Configuration Options*

A list of the parameters and their values to be negotiated shall be provided in the Configuration Options field. These are defined in [Section 5](#); in addition, as described in that section, an implementation shall be prepared to receive any number of unknown options. An L2CAP_CONFIGURATION_REQ packet may contain no options (referred to as an empty or null configuration request) and can be used to request a response. For an empty configuration request the Data Length field is set to 0x0004.

4.5 L2CAP_CONFIGURATION_RSP (CODE 0x05)

L2CAP_CONFIGURATION_RSP packets shall be sent in reply to L2CAP_CONFIGURATION_REQ packets except when the error condition is covered by an L2CAP_COMMAND_REJECT_RSP packet response. Each configuration parameter value (if any is present) in an L2CAP_CONFIGURATION_RSP packet reflects an 'adjustment' to a configuration parameter value that has been sent (or, in case of default values, implied) in



the corresponding L2CAP_CONFIGURATION_REQ packet. For example, if an L2CAP_CONFIGURATION_REQ packet relates to traffic flowing from device A to device B, the sender of the L2CAP_CONFIGURATION_RSP packet may adjust this value for the same traffic flowing from device A to device B, but the response cannot adjust the value in the reverse direction.

The options sent in the L2CAP_CONFIGURATION_RSP packet depend on the value in the Result field. Figure 4.8 defines the format of the packet. See also Section 7.1 for details of the configuration process, including use of the result code "pending".

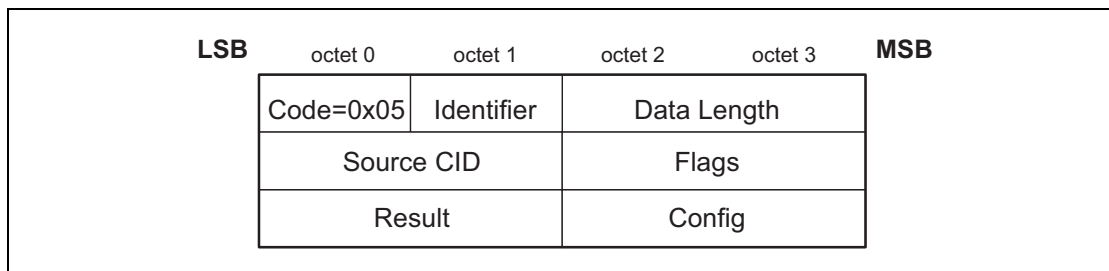


Figure 4.8: L2CAP_CONFIGURATION_RSP packet

The data fields are:

- *Source CID - SCID (2 octets)*

This field contains the channel endpoint on the device receiving this Response packet. The device receiving the L2CAP_CONFIGURATION_RSP packet shall check that the Identifier field matches the same field in the corresponding L2CAP_CONFIGURATION_REQ packet and the SCID matches its local CID paired with the original DCID.

- *Flags (2 octets)*

Figure 4.9 displays the two-octet Flags field. Note the most significant bit is shown on the left.

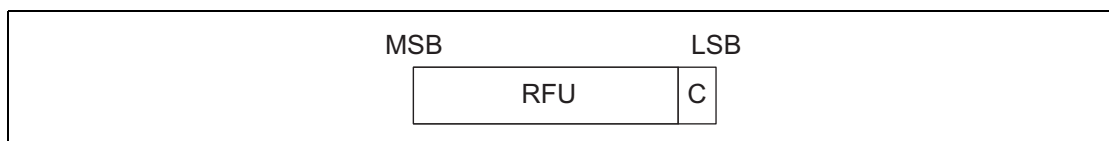


Figure 4.9: L2CAP_CONFIGURATION_RSP Flags field format

Only one flag is defined, the Continuation flag (C).

When both L2CAP entities support the Extended Flow Specification option, the Continuation flag shall not be used and shall be set to zero in all L2CAP_CONFIGURATION_REQ and L2CAP_CONFIGURATION_RSP packets.

More L2CAP_CONFIGURATION_RSP packets will follow when C is set to one. This flag indicates that the parameters included in the response are a



partial subset of parameters being sent by the device sending the L2CAP_CONFIGURATION_RSP packet.

The other flag bits are reserved for future use.

- *Result (2 octets)*

The Result field indicates whether or not the Request was acceptable. See [Table 4.8](#) for possible result codes.

Result	Description
0x0000	Success
0x0001	Failure – unacceptable parameters
0x0002	Failure – rejected (no reason provided)
0x0003	Failure – unknown options
0x0004	Pending
0x0005	Failure - flow spec rejected
Other	Reserved for future use

Table 4.8: L2CAP_CONFIGURATION_RSP result codes

- *Configuration options*

This field contains the list of parameters being configured. These are defined in [Section 5](#). On a successful result (Result=0x0000) and pending result (Result=0x0004), these parameters contain the return values for any wild card parameter values (see [Section 5.3](#)) and “adjustments” to non-negotiated configuration parameter values contained in the request. A response with a successful result is also referred to as a positive response.

On an unacceptable parameters failure (Result=0x0001) the rejected parameters shall be sent in the response with the values that would have been accepted if sent in the original request. Any missing configuration parameters in the L2CAP_CONFIGURATION_REQ packet are assumed to have their default value or previously agreed value and they too shall be included in the L2CAP_CONFIGURATION_RSP packet if they need to be changed. A response with an unacceptable parameters failure is also referred to as a negative response.

On an unknown option failure (Result=0x0003), the option(s) that contain an option type field that is not understood by the recipient of the L2CAP_CONFIGURATION_REQ packet shall be included in the L2CAP_CONFIGURATION_RSP packet unless they are hints. Hints are those options in the L2CAP_CONFIGURATION_REQ packet that are skipped if not understood (see [Section 5](#)). Hints shall not be included in the L2CAP_CONFIGURATION_RSP packet and shall not be the sole cause for rejecting the L2CAP_CONFIGURATION_REQ packet.

On a flow spec rejected failure (Result=0x0005), an Extended Flow Spec option may be included to reflect the QoS level that would be acceptable (see [Section 7.1.3](#)).



The decision on the amount of time (or messages) spent arbitrating the channel parameters before terminating the negotiation is implementation specific.

4.6 L2CAP_DISCONNECTION_REQ (CODE 0x06)

Terminating an L2CAP channel requires that an L2CAP_DISCONNECTION_REQ packet be sent and acknowledged by an L2CAP_DISCONNECTION_RSP packet. Figure 4.10 defines the format of the packet. The receiver shall not initiate a disconnection if the source or destination CIDs do not match.

Once an L2CAP_DISCONNECTION_REQ packet is issued, all incoming data in transit on this L2CAP channel shall be discarded and any new additional outgoing data shall be discarded. Once an L2CAP_DISCONNECTION_REQ packet for a channel has been received, all data queued to be sent out on that channel shall be discarded.

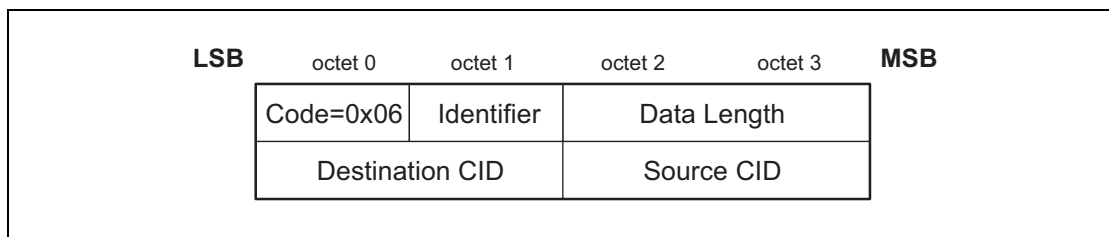


Figure 4.10: L2CAP_DISCONNECTION_REQ packet

The data fields are:

- *Destination CID - DCID (2 octets)*
This field specifies the endpoint of the channel to be disconnected on the device receiving this request.
- *Source CID - SCID (2 octets)*
This field specifies the endpoint of the channel to be disconnected on the device sending this request.

The SCID and DCID are relative to the sender of this request and shall match those of the channel to be disconnected. If the DCID is not recognized by the receiver of this message, an L2CAP_COMMAND_REJECT_RSP packet with 'invalid CID' result code shall be sent in response. If the receiver finds a DCID match but the SCID fails to find the same match, the request should be silently discarded.

4.7 L2CAP_DISCONNECTION_RSP (CODE 0x07)

L2CAP_DISCONNECTION_RSP packets shall be sent in response to each valid L2CAP_DISCONNECTION_REQ packet. Figure 4.11 defines the format of the packet.

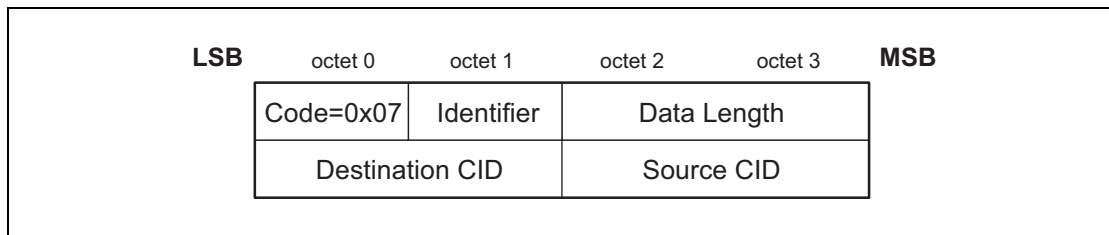


Figure 4.11: L2CAP_DISCONNECTION_RSP packet

The data fields are:

- **Destination CID - DCID (2 octets)**

This field identifies the channel endpoint on the device sending the L2CAP_DISCONNECTION_RSP packet.

- **Source CID - SCID (2 octets)**

This field identifies the channel endpoint on the device receiving the L2CAP_DISCONNECTION_RSP packet.

The DCID and the SCID (which are relative to the sender of the L2CAP_DISCONNECTION_REQ packet), and the Identifier fields shall match those of the corresponding L2CAP_DISCONNECTION_REQ packet. If the CIDs do not match, the L2CAP_DISCONNECTION_RSP packet should be silently discarded at the receiver.

4.8 L2CAP_ECHO_REQ (CODE 0x08)

L2CAP_ECHO_REQ packets are used to request a response from a remote L2CAP entity. Figure 4.12 defines the format of the packet. These requests may be used for testing the link or for passing vendor specific information using the optional data field. L2CAP entities shall respond to a valid L2CAP_ECHO_REQ packet with an L2CAP_ECHO_RSP packet. The Echo Data field is optional and implementation specific. L2CAP entities should ignore the contents of this field if present.

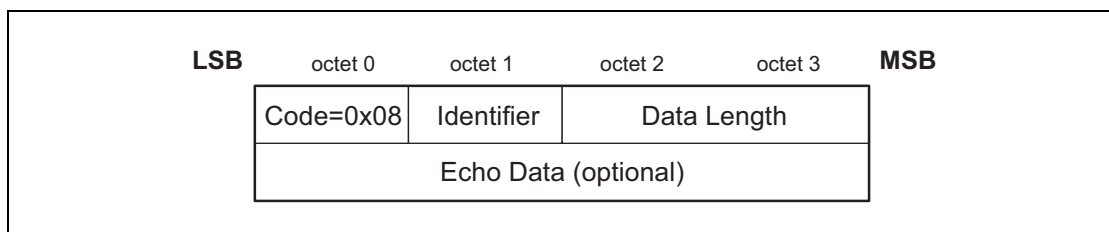


Figure 4.12: L2CAP_ECHO_REQ packet

4.9 L2CAP_ECHO_RSP (CODE 0x09)

An L2CAP_ECHO_RSP packet shall be sent upon receiving a valid L2CAP_ECHO_REQ packet. Figure 4.13 defines the format of the packet. The identifier in the L2CAP_ECHO_RSP packet shall match the identifier sent in



the L2CAP_ECHO_REQ packet. The Echo Data field is optional and implementation specific. It may contain the contents of the Echo Data field in the L2CAP_ECHO_REQ packet, different data, or no data at all. L2CAP entities should ignore the contents of this field if present.

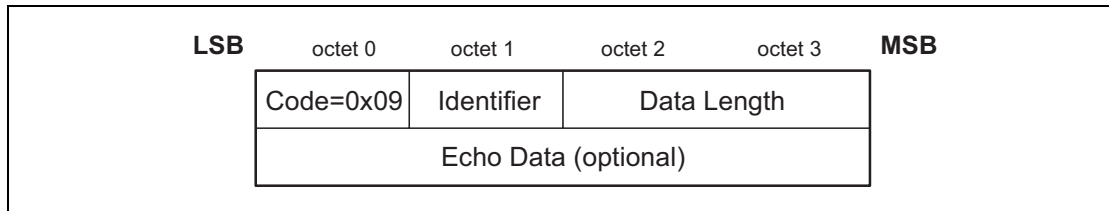


Figure 4.13: L2CAP_ECHO_RSP packet

4.10 L2CAP_INFORMATION_REQ (CODE 0x0A)

L2CAP_INFORMATION_REQ packets are used to request implementation specific information from a remote L2CAP entity. Figure 4.14 defines the format of the packet. L2CAP implementations shall respond to a valid L2CAP_INFORMATION_REQ packet with an L2CAP_INFORMATION_RSP packet. It is optional to send L2CAP_INFORMATION_REQ packets.

An L2CAP implementation shall only use optional features or attribute ranges for which the remote L2CAP entity has indicated support through an L2CAP_INFORMATION_RSP packet. Until an L2CAP_INFORMATION_RSP packet which indicates support for optional features or ranges has been received only mandatory features and ranges shall be used.

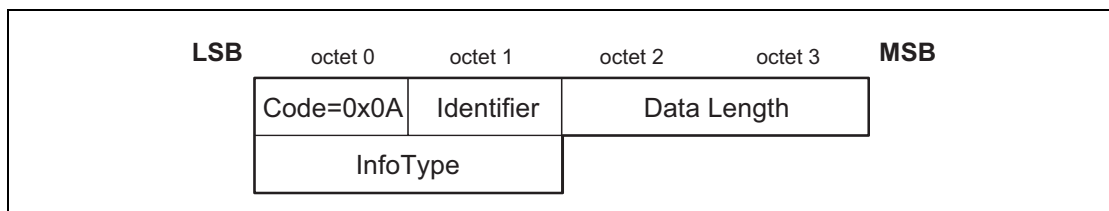


Figure 4.14: L2CAP_INFORMATION_REQ packet

The data field is:

- InfoType (2 octets)

The InfoType defines the type of implementation specific information being requested. See Section 4.11 for details on the type of information requested.

Value	Description
0x0001	Connectionless MTU
0x0002	Extended features supported

Table 4.9: InfoType definitions



Value	Description
0x0003	Fixed channels supported over BR/EDR
Other	Reserved for future use

Table 4.9: InfoType definitions

L2CAP entities shall not send an L2CAP_INFORMATION_REQ packet with InfoType 0x0003 over fixed channel CID 0x0001 until first verifying that the Fixed Channels bit is set in the Extended feature mask of the remote device. Support for fixed channels is mandatory for devices with BR/EDR/LE or LE Controllers. L2CAP_INFORMATION_REQ and L2CAP_INFORMATION_RSP packets shall not be used over fixed channel CID 0x0005.

4.11 L2CAP_INFORMATION_RSP (CODE 0x0B)

An L2CAP_INFORMATION_RSP packet shall be sent upon receiving a valid L2CAP_INFORMATION_REQ packet. Figure 4.15 defines the format of the packet. The identifier in the L2CAP_INFORMATION_RSP packet shall match the identifier sent in the L2CAP_INFORMATION_REQ packet. The Info field shall contain the value associated with the InfoType field sent in the L2CAP_INFORMATION_REQ packet, or shall be empty if the InfoType is not supported.

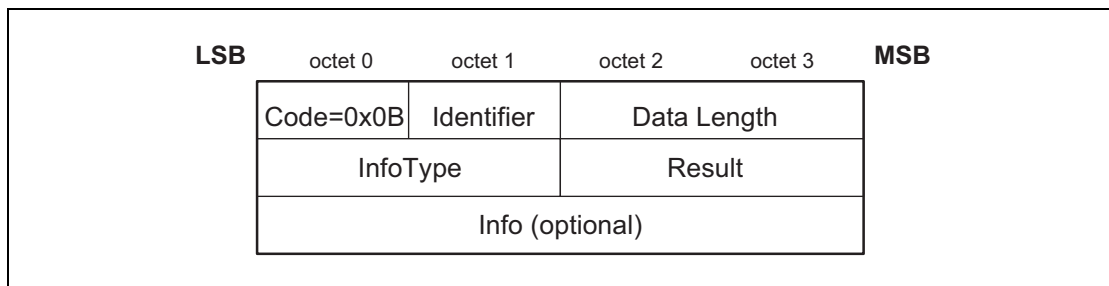


Figure 4.15: L2CAP_INFORMATION_RSP packet

The data fields are:

- InfoType (2 octets)**

The InfoType defines the type of implementation specific information that was requested. This value shall be copied from the InfoType field in the L2CAP_INFORMATION_REQ packet.
- Result (2 octets)**

The Result contains information about the success of the request. If result is "Success," the data field contains the information as specified in Table 4.11. If result is "Not supported," no data shall be returned.



Value	Description
0x0000	Success
0x0001	Not supported
Other	Reserved for future use

Table 4.10: Result values for the L2CAP_INFORMATION_RSP packet

- *Info (0 or more octets)*

The contents of the Info field depends on the InfoType.

For InfoType = 0x0001, the field contains the remote entity’s 2-octet acceptable connectionless MTU. The default value is defined in [Section 3.2](#).

For InfoType = 0x0002, the Info field contains the 4 octet L2CAP extended feature mask. The feature mask refers to the extended features that the L2CAP entity sending the L2CAP_INFORMATION_RSP packet supports. The feature bits contained in the L2CAP feature mask are specified in [Section 4.12](#).

For InfoType = 0x0003, the Info field contains an 8 octet bit map that indicates which Fixed L2CAP Channels (i.e., the L2CAP channels that use a CID from 0x0000 to 0x003F) are supported over BR/EDR. A list of available fixed channels is provided in [Table 2.1](#) in [Section 2.1](#). A detailed description of this Info field is given in [Section 4.13](#).

Note: Implementations conforming to a version lower than 1.2, receiving an L2CAP_INFORMATION_REQ packet with InfoType = 0x0002 for an L2CAP feature discovery, return an L2CAP_INFORMATION_RSP packet with result code "Not supported." Implementations conforming to versions 1.2, 2.0 + EDR, or 2.1 + EDR that have an all zero extended features mask may return an L2CAP_INFORMATION_RSP packet with result code "Not supported."

InfoType	Info	Info length (octets)
0x0001	Connectionless MTU	2
0x0002	Extended feature mask	4
0x0003	Fixed channels supported over BR/EDR	8

Table 4.11: L2CAP_INFORMATION_RSP Info fields

4.12 EXTENDED FEATURE MASK

The features are represented as a bit mask in the L2CAP_INFORMATION_RSP packet’s Info field (see [Section 4.11](#)). For each feature a single bit is specified which shall be set to 1 if the feature is supported and set to 0 otherwise. All unknown or unassigned feature bits are reserved for future use.



The feature mask shown in [Table 4.12](#) consists of 4 octets (numbered octet 0 to 3), with bit numbers 0 to 7 each.

No.	Supported feature	Octet	Bit
0	Flow control mode	0	0
1	Retransmission mode	0	1
2	Bi-directional QoS ¹	0	2
3	Enhanced Retransmission Mode	0	3
4	Streaming Mode	0	4
5	FCS Option	0	5
6	Extended Flow Specification for BR/EDR	0	6
7	Fixed Channels supported over BR/EDR	0	7
8	Extended Window Size	1	0
9	Unicast Connectionless Data Reception	1	1
10	Enhanced Credit Based Flow Control Mode over BR/EDR	1	2
31	Reserved for feature mask extension	3	7
All others	Reserved for future use	All others	

Table 4.12: Extended feature mask

- Peer side supports upper layer control of the Link Manager's Bi-directional QoS, see [Section 5.3](#) for more details.

4.13 FIXED CHANNELS SUPPORTED OVER BR/EDR

Each fixed channel supported over BR/EDR is represented by a single bit in an 8 octet bit mask. The bit associated with a channel shall be set to 1 if the L2CAP entity supports that channel. The L2CAP Signaling channel is mandatory and therefore the bit associated with that channel shall be set to 1. [Table 4.13](#) shows the format of the bit mask.

CID	Fixed Channel	Value	Octet	Bit
0x0000	Null identifier	Shall be set to 0	0	0
0x0001	L2CAP Signaling channel	Shall be set to 1	0	1
0x0002	Connectionless reception	0 – if not supported 1 – if supported	0	2
0x0003	Previously used		0	3
0x0004 to 0x0006	Reserved for future use		0	4-6

Table 4.13: Fixed Channels Supported bit mask



CID	Fixed Channel	Value	Octet	Bit
0x0007	BR/EDR Security Manager	0 – if not supported 1 – if supported	0	7
0x0008 to 0x003E	Reserved for future use		1-6 7	0-7 0-6
0x003F	Previously used		7	7
Other	Reserved for future use		Other	

Table 4.13: Fixed Channels Supported bit mask

An L2CAP entity shall not transmit on any fixed channel (with the exception of the L2CAP Signaling channel) until it has received a Fixed Channels Supported InfoType from the peer L2CAP entity indicating support for that channel, or has received a valid packet from the remote device on that fixed channel. All packets received on a non-supported fixed channel shall be ignored.

4.14 [THIS SECTION IS NO LONGER USED]

4.15 [THIS SECTION IS NO LONGER USED]

4.16 [THIS SECTION IS NO LONGER USED]

4.17 [THIS SECTION IS NO LONGER USED]

4.18 [THIS SECTION IS NO LONGER USED]

4.19 [THIS SECTION IS NO LONGER USED]

4.20 L2CAP_CONNECTION_PARAMETER_UPDATE_REQ (CODE 0x12)

This command shall only be sent from the Peripheral to the Central and only if one or more of the Peripheral’s Controller, the Central’s Controller, the Peripheral’s Host and the Central’s Host do not support the Connection Parameters Request Link Layer Control procedure ([Vol 6] Part B, Section 5.1.7). If a Peripheral’s Host receives an L2CAP_CONNECTION_PARAMETER_UPDATE_REQ packet it shall respond with an L2CAP_COMMAND_REJECT_RSP packet with reason 0x0000 (Command not understood). Figure 4.16 defines the format of the packet.

The L2CAP_CONNECTION_PARAMETER_UPDATE_REQ packet allows the Peripheral’s Host to request a set of new connection parameters. When the Central’s Host receives an L2CAP_CONNECTION_PARAMETER_UPDATE_



REQ packet, depending on the parameters of other connections, the Central's Host may accept the requested parameters and deliver the requested parameters to its Controller or reject the request. In devices supporting HCI, the Central's Host delivers the requested parameters to its Controller using the HCI_LE_Connection_Update command (see [Vol 4] Part E, Section 7.8.18). If the Central's Host accepts the requested parameters it shall send the L2CAP_CONNECTION_PARAMETER_UPDATE_RSP packet with result 0x0000 (Parameters accepted) otherwise it shall set the result to 0x0001 (request rejected).

The Peripheral's Host will receive an indication from the Peripheral's Controller when the connection parameters have been updated. In devices supporting HCI, this notification will be in the form of an HCI_LE_Connection_Update_Complete event (see [Vol 4] Part E, Section 7.7.65.3). If the Central's Controller rejects the updated connection parameters no indication from the Peripheral's Controller will be sent to the Peripheral's Host.

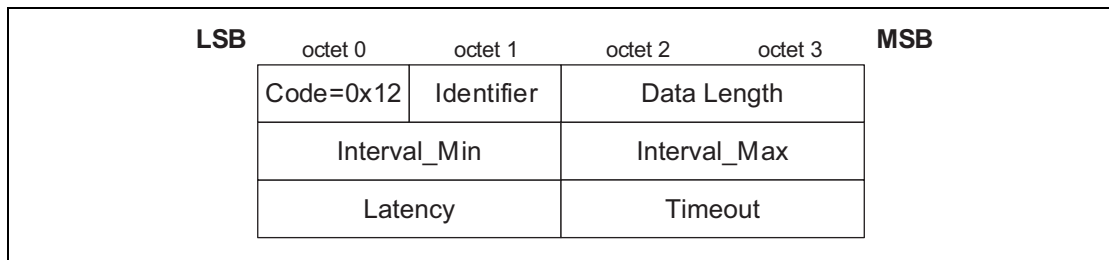


Figure 4.16: L2CAP_CONNECTION_PARAMETER_UPDATE_REQ packet

The data fields shall have the same meanings and requirements as the fields of the LL_CONNECTION_PARAM_REQ PDU (see [Vol 6] Part B, Section 2.4.2.16) with the same names.

4.21 L2CAP_CONNECTION_PARAMETER_UPDATE_RSP (CODE 0x13)

This response shall only be sent from the Central to the Peripheral.

The L2CAP_CONNECTION_PARAMETER_UPDATE_RSP packet shall be sent by the Central's Host when it receives an L2CAP_CONNECTION_PARAMETER_UPDATE_REQ packet. Figure 4.17 defines the format of the packet. If the Central's Host accepts the request it shall send the connection parameter update to its Controller.

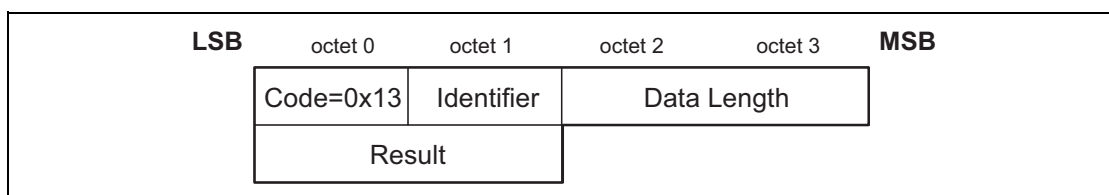


Figure 4.17: L2CAP_CONNECTION_PARAMETER_UPDATE_RSP packet



The data field is:

- *Result (2 octets)*

The result field indicates the response to the request. The result value of 0x0000 indicates that the Central’s Host has accepted the connection parameters while 0x0001 indicates that the Central’s Host has rejected the connection parameters.

Result	Description
0x0000	Connection Parameters accepted
0x0001	Connection Parameters rejected
Other	Reserved for future use

Table 4.14: Result values for the L2CAP_CONNECTION_PARAMETER_UPDATE_RSP packet

4.22 L2CAP_LE_CREDIT_BASED_CONNECTION_REQ (CODE 0x14)

L2CAP_LE_CREDIT_BASED_CONNECTION_REQ packets are sent to create and configure an L2CAP channel between two devices using LE Credit Based Flow Control mode. Figure 4.18 defines the format of the packet.

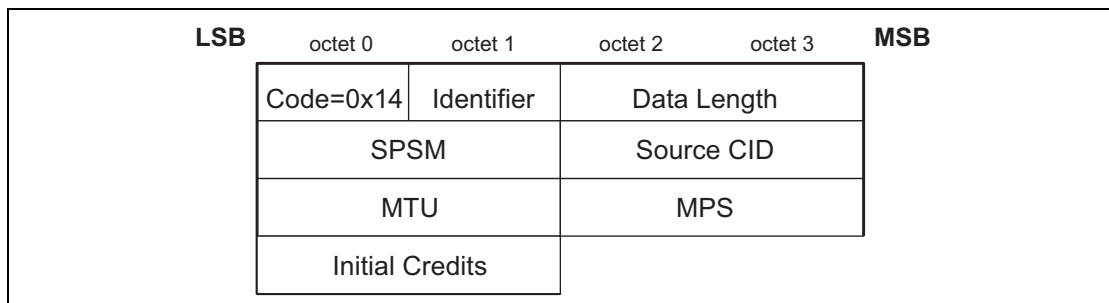


Figure 4.18: L2CAP_LE_CREDIT_BASED_CONNECTION_REQ packet

The data fields are:

- *Simplified Protocol/Service Multiplexer – SPSM¹ (2 octets)*

The SPSM field is two octets in length. SPSM values are separated into two ranges. Values in the first range are assigned by the Bluetooth SIG and indicate protocols. Values in the second range are dynamically allocated and used in conjunction with services defined in the GATT Server. The dynamically assigned values may be used to support multiple implementations of a particular protocol.

Note: Unlike a normal PSM (see Section 4.2), the length of an SPSM is not variable and each octet may be either odd or even.

1. This was called LE_PSM in versions 4.1 to 5.1.



SPSM values are defined in [Table 4.15](#).

Range	Type	Server Usage	Client Usage
0x0001 to 0x007F	Fixed, SIG assigned	SPSM is fixed for all implementations	SPSM may be assumed for fixed service. Protocol used is indicated by the SPSM as defined in Assigned Numbers .
0x0080 to 0x00FF	Dynamic	SPSM may be fixed for a given implementation or may be assigned at the time the service is registered in GATT	SPSM shall be obtained from the service in GATT upon every reconnection. SPSM for one direction will typically be different from the other direction.
Other	RFU	Not applicable	Not applicable

Table 4.15: L2CAP_LE_CREDIT_BASED_CONNECTION_REQ SPSM ranges

- **Source CID – SCID (2 octets)**

The source CID is two octets in length and represents a channel endpoint on the device sending the request. Once the channel has been created, data packets flowing to the sender of the request shall be sent to this CID. Thus, the Source CID represents the channel endpoint on the device sending the request and receiving the response. The value of the Source CID shall be from the dynamically allocated range as defined in [Table 2.3](#) and shall not be already allocated to a different channel on the same logical link on the device sending the request.

- **Maximum Transmission Unit – MTU (2 octets)**

The MTU field specifies the maximum SDU size (in octets) that the L2CAP layer entity sending the L2CAP_LE_CREDIT_BASED_CONNECTION_REQ packet can receive on this channel. L2CAP implementations shall support a minimum MTU size of 23 octets.

- **Maximum PDU Payload Size – MPS (2 octets)**

The MPS field specifies the maximum PDU payload size (in octets) that the L2CAP layer entity sending the L2CAP_LE_CREDIT_BASED_CONNECTION_REQ packet is capable of receiving on this channel. L2CAP implementations shall support a minimum MPS of 23 octets and may support an MPS up to 65533 octets.

- **Initial Credits – (2 octets)**

The initial credit value indicates the number of K-frames that the peer device can send to the L2CAP layer entity sending the L2CAP_LE_CREDIT_BASED_CONNECTION_REQ packet. The initial credit value shall be in the range 0 to 65535.



4.23 L2CAP_LE_CREDIT_BASED_CONNECTION_RSP (CODE 0x15)

When a device receives an L2CAP_LE_CREDIT_BASED_CONNECTION_REQ packet, it shall send an L2CAP_LE_CREDIT_BASED_CONNECTION_RSP packet. Figure 4.19 defines the format of the packet.

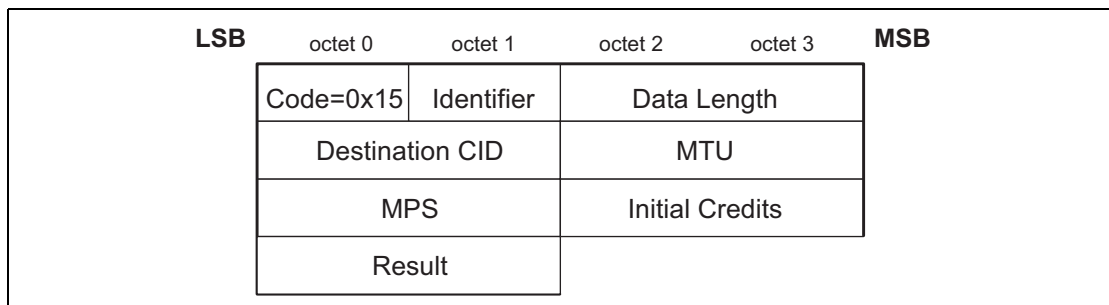


Figure 4.19: L2CAP_LE_CREDIT_BASED_CONNECTION_RSP packet

The data fields are:

- **Destination CID – DCID (2 octets)**

The destination CID is two octets in length and represents a channel endpoint on the device sending the response. Once the channel has been created, data packets flowing to the sender of the response shall be sent to this CID. Thus, the destination CID represents the channel endpoint on the device receiving the request and sending the response. The value of the Destination CID shall be from the dynamically allocated range as defined in Table 2.3 and shall not be already allocated to a different channel on the same logical link on the device sending the response.
- **Maximum Transmission Unit – MTU (2 octets)**

The MTU field specifies the maximum SDU size (in octets) that the L2CAP layer entity sending the L2CAP_LE_CREDIT_BASED_CONNECTION_RSP packet can receive on this channel. L2CAP implementations shall support a minimum MTU size of 23 octets.
- **Maximum PDU Payload Size – MPS (2 octets)**

The MPS field specifies the maximum PDU payload size (in octets) that the L2CAP layer entity sending the L2CAP_LE_CREDIT_BASED_CONNECTION_RSP packet is capable of receiving on this channel. L2CAP implementations shall support a minimum MPS of 23 octets and may support an MPS up to 65533 octets.
- **Initial Credits – (2 octets)**

The initial credit value indicates the number of K-frames that the peer device can send to the L2CAP layer entity sending the L2CAP_LE_CREDIT_BASED_CONNECTION_RSP packet. The initial credit value shall be in the range 0 to 65535.
- **Result – (2 octets)**



The result field indicates the outcome of the connection request. A result value of 0x0000 indicates success while a non-zero value indicates the connection request was refused. A logical channel is established on the receipt of a successful result. [Table 4.16](#) defines values for this field. The DCID, MTU, MPS and Initial Credits fields shall be ignored when the result field indicates the connection was refused.

Value	Description
0x0000	Connection successful
0x0002	Connection refused – SPSM not supported
0x0004	Connection refused – no resources available
0x0005	Connection refused – insufficient authentication
0x0006	Connection refused – insufficient authorization
0x0007	Connection refused – encryption key size too short ¹
0x0008	Connection refused – insufficient encryption
0x0009	Connection refused – invalid Source CID
0x000A	Connection refused – Source CID already allocated
0x000B	Connection refused – unacceptable parameters
Other	Reserved for future use

Table 4.16: Result values for the L2CAP_LE_CREDIT_BASED_CONNECTION_RSP packet

1. This was previously "Connection refused - insufficient encryption key size".

4.24 L2CAP_FLOW_CONTROL_CREDIT_IND (CODE 0x16)

A device shall send an L2CAP_FLOW_CONTROL_CREDIT_IND packet when it is capable of receiving additional K-frames (for example after it has processed one or more K-frames) in LE Credit Based Flow Control mode and Enhanced Credit Based Flow Control mode. [Figure 4.20](#) defines the format of the packet.

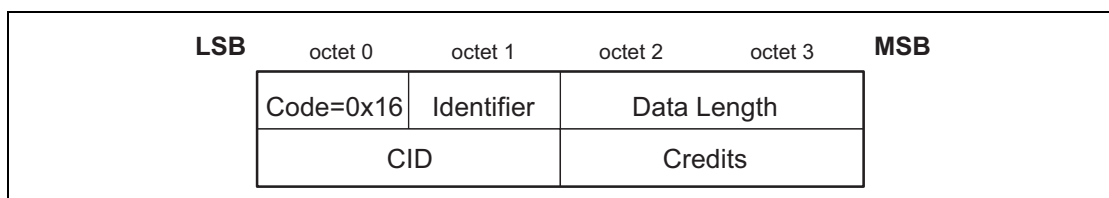


Figure 4.20: L2CAP_FLOW_CONTROL_CREDIT_IND packet



The data fields are:

- *CID – (2 octets)*
The CID is two octets in length and represents the source channel endpoint of the device sending the L2CAP_FLOW_CONTROL_CREDIT_IND packet. For example, a received L2CAP_FLOW_CONTROL_CREDIT_IND packet with a given CID (0x0042) would provide credits for the receiving device’s destination CID (0x0042).
- *Credits – (2 octets)*
The credit value field represents number of credits the receiving device can increment, corresponding to the number of K-frames that can be sent to the peer device sending the L2CAP_FLOW_CONTROL_CREDIT_IND packet. The credit value field shall be a number between 1 and 65535.

4.25 L2CAP_CREDIT_BASED_CONNECTION_REQ (CODE 0x17)

L2CAP_CREDIT_BASED_CONNECTION_REQ packets are sent to create and configure up to five L2CAP channels between two devices. Figure 4.21 defines the format of the packet.

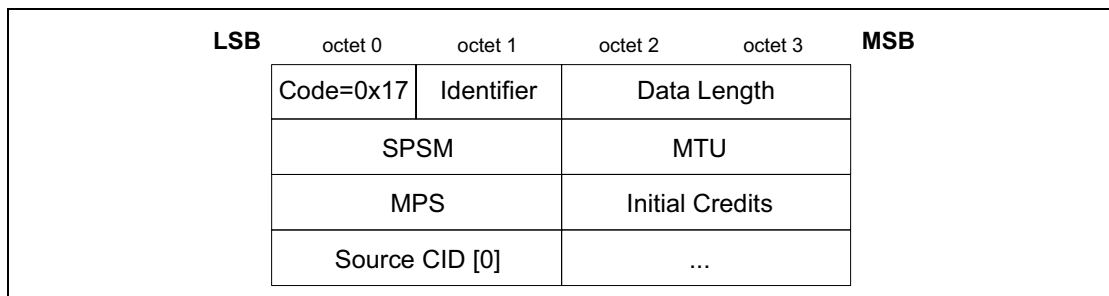


Figure 4.21: L2CAP_CREDIT_BASED_CONNECTION_REQ packet

The data fields are:

- *Simplified Protocol/Service Multiplexer – SPSM (2 octets)*
The SPSM is defined in Section 4.22.
- *Maximum Transmission Unit – MTU (2 octets)*
The MTU field specifies the maximum SDU size (in octets) that the L2CAP layer entity sending the L2CAP_CREDIT_BASED_CONNECTION_REQ packet can receive on each of the Source CID channels. L2CAP implementations shall support a minimum MTU size of 64 octets for these channels.
- *Maximum PDU Payload Size – MPS (2 octets)*
The MPS field specifies the maximum PDU payload size (in octets) that the L2CAP layer entity sending the L2CAP_CREDIT_BASED_CONNECTION_REQ packet is capable of receiving on each of the Source CID channels.



L2CAP implementations shall support a minimum MPS of 64 octets and may support an MPS up to 65533 octets for these channels.

- *Initial Credits – (2 octets)*

The Initial Credit field value indicates the number of K-frames that the peer device can send to the L2CAP layer entity sending the L2CAP_CREDIT_BASED_CONNECTION_REQ packet on each of the Source CID channels. The initial credit value shall be in the range of 1 to 65535.

- *Source CID – (2 to 10 octets)*

The Source CID is an array of up to 5 two-octet values and represents the channel endpoints on the device sending the request. Once a channel has been created, data packets flowing to the sender of the request shall be sent to these CIDs. Each entry in the array shall be non-zero and represents a request for a channel. The value of each Source CID shall be from the dynamically allocated range as defined in Table 2.1 or Table 2.3 (depending on the transport in use) and shall not be already allocated to a different channel on the same logical link on the device sending the request.

4.26 L2CAP_CREDIT_BASED_CONNECTION_RSP (CODE 0x18)

When a device receives an L2CAP_CREDIT_BASED_CONNECTION_REQ packet, it shall send an L2CAP_CREDIT_BASED_CONNECTION_RSP packet. If the device sends an L2CAP_CREDIT_BASED_CONNECTION_RSP packet with a result code "pending", then it shall subsequently send another L2CAP_CREDIT_BASED_CONNECTION_RSP (see also [Vol 3] Part C, Section 5.2.2.2). Figure 4.22 defines the format of the packet.

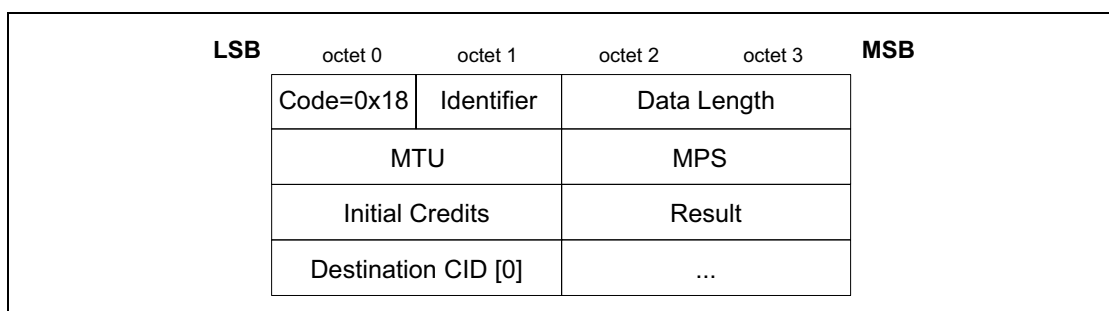


Figure 4.22: L2CAP_CREDIT_BASED_CONNECTION_RSP packet

The data fields are:

- *Maximum Transmission Unit – MTU (2 octets)*

The MTU field specifies the maximum SDU size (in octets) that the L2CAP layer entity sending the L2CAP_CREDIT_BASED_CONNECTION_RSP packet can receive on each of the Destination CID channels. L2CAP implementations shall support a minimum MTU size of 64 octets.



- **Maximum PDU Payload Size – MPS (2 octets)**

The MPS field specifies the maximum PDU payload size (in octets) that the L2CAP layer entity sending the L2CAP_CREDIT_BASED_CONNECTION_RSP packet is capable of receiving on each of the Destination CID channels. L2CAP implementations shall support a minimum MPS of 64 octets and may support an MPS up to 65533 octets.

- **Initial Credits – (2 octets)**

The Initial Credit field value indicates the number of K-frames that the peer device can send to the L2CAP layer entity sending the L2CAP_CREDIT_BASED_CONNECTION_RSP packet on each of the Destination CID channels. The initial credit value shall be in the range of 1 to 65535.

- **Result – (2 octets)**

The Result field indicates the outcome of the connection request. [Table 4.17](#) defines values for this field. The Destination CID, MTU, MPS and Initial Credits fields shall be ignored when the Result field indicates that all connections were refused or all connections are pending.

Value	Description
0x0000	All connections successful
0x0002	All connections refused – SPSM not supported
0x0004	Some connections refused – insufficient resources available
0x0005	All connections refused – insufficient authentication
0x0006	All connections refused – insufficient authorization
0x0007	All connections refused – encryption key size too short ¹
0x0008	All connections refused – insufficient encryption
0x0009	Some connections refused – invalid Source CID
0x000A	Some connections refused – Source CID already allocated
0x000B	All connections refused – unacceptable parameters
0x000C	All connections refused – invalid parameters
0x000D	All connections pending – no further information available
0x000E	All connections pending – authentication pending
0x000F	All connections pending – authorization pending
Other	Reserved for future use

Table 4.17: Result values for the L2CAP_CREDIT_BASED_CONNECTION_RSP packet

1. This was previously "All connections refused - insufficient encryption key size".



- *Destination CID – (2 to 10 octets)*

The Destination CID is an array of up to 5 two-octet values and represents the channel endpoints on the device sending the L2CAP_CREDIT_BASED_CONNECTION_RSP packet. The value of the Destination CID shall be from the dynamically allocated range as defined in Table 2.1 or Table 2.3 (depending on the transport in use) and shall not be already allocated to a different channel on the same logical link on the device sending the response. Once a channel has been created, data packets flowing to the sender of the response shall be sent to these CIDs. The order of the Destination CIDs shall correspond to the order of the Source IDs in the corresponding L2CAP_CREDIT_BASED_CONNECTION_REQ packet. If a Destination CID is non-zero, the channel was established. If a Destination CID is 0x0000, the channel was not established. If a device receives an L2CAP_CREDIT_BASED_CONNECTION_RSP packet with an already-assigned Destination CID, then both the original channel and the new channel shall not be used.

4.27 L2CAP_CREDIT_BASED_RECONFIGURE_REQ (CODE 0x19)

A device shall send an L2CAP_CREDIT_BASED_RECONFIGURE_REQ packet when its receive MTU or MPS values have changed compared to when the channel was created or last reconfigured. Figure 4.23 defines the format of the packet.

Note: The current MTU and MPS values of the channels may be different before this packet is sent.

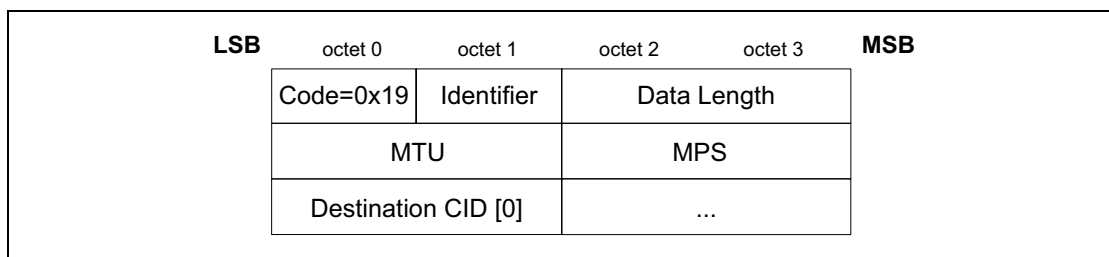


Figure 4.23: L2CAP_CREDIT_BASED_RECONFIGURE_REQ packet

The data fields are:

- *Maximum Transmission Unit – MTU (2 octets)*

The MTU field specifies the maximum SDU size (in octets) that the L2CAP layer entity sending the L2CAP_CREDIT_BASED_RECONFIGURE_REQ packet can receive on each of the Destination CID channels. The MTU field shall be greater than or equal to the greatest current MTU size of these channels.



- *Maximum PDU Payload Size – MPS (2 octets)*

The MPS field specifies the maximum PDU payload size (in octets) that the L2CAP layer entity sending the L2CAP_CREDIT_BASED_RECONFIGURE_REQ packet is capable of receiving on each of the Destination CID channels. If more than one channel is being configured, the MPS field shall be greater than or equal to the current MPS size of each of these channels. If only one channel is being configured, the MPS field may be less than the current MPS of that channel.

- *Destination CID – (2 to 10 octets)*

The Destination CID is an array of up to 5 two-octet values which shall be non-zero and represent the channel endpoints on the device sending the L2CAP_CREDIT_BASED_RECONFIGURE_REQ packet.

4.28 L2CAP_CREDIT_BASED_RECONFIGURE_RSP (CODE 0x1A)

When a device receives an L2CAP_CREDIT_BASED_RECONFIGURE_REQ packet, it shall send an L2CAP_CREDIT_BASED_RECONFIGURE_RSP packet. [Figure 4.24](#) defines the format of the packet.

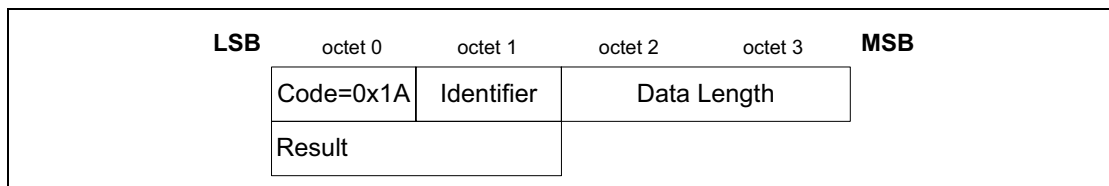


Figure 4.24: L2CAP_CREDIT_BASED_RECONFIGURE_RSP

The data fields are:

- *Result (2 octets)*

The Result field contains information about the success of the request.

Value	Description
0x0000	Reconfiguration successful
0x0001	Reconfiguration failed - reduction in size of MTU not allowed
0x0002	Reconfiguration failed - reduction in size of MPS not allowed for more than one channel at a time
0x0003	Reconfiguration failed - one or more Destination CIDs invalid
0x0004	Reconfiguration failed - other unacceptable parameters
All other values	Reserved for future use

Table 4.18: Result values for the L2CAP_CREDIT_BASED_RECONFIGURE_RSP packet



5 CONFIGURATION PARAMETER OPTIONS

Options are a mechanism to extend the configuration parameters. Options shall be transmitted as information elements containing an option type, an option length, and one or more option data fields. [Figure 5.1](#) illustrates the format of an option.

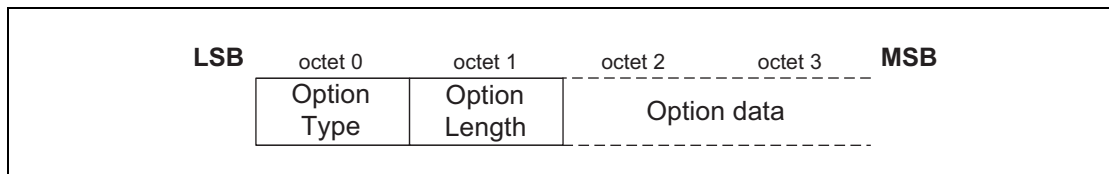


Figure 5.1: Configuration option format

The configuration option fields are:

- **Option Type (1 octet)**
The Option Type field defines the parameters being configured. If the option is not recognized (e.g. because the option is defined in a higher version of the specification than the version the implementation conforms to) then:
 - If the most significant bit of the type is 0 (i.e. types 0x00 to 0x7F), the recipient shall refuse the entire configuration request.
 - If the most significant bit of the type is 1 (i.e. types 0x80 to 0xFF), the recipient shall ignore the option and continue processing with the next option (if any).
- **Option Length (1 octet)**
The Option Length field defines the number of octets in the option data. Thus an option type without option data has a length of 0.
- **Option data**
The contents of this field are dependent on the option type.

5.1 MAXIMUM TRANSMISSION UNIT (MTU)

This option specifies the maximum SDU size the sender of this option is capable of accepting for a channel. The Option Type is 0x01, and the Option Length is 2 octets, carrying the two-octet MTU size value as the only information element (see [Figure 5.2](#)).

MTU is not a negotiated value, it is an informational parameter that each device can specify independently. It indicates to the remote device that the local device can receive, in this channel, an MTU larger than the minimum required. All L2CAP implementations shall support a minimum MTU of 48 octets over the ACL-U logical link and 23 octets over the LE-U logical link; however, some protocols and profiles explicitly require support for a larger MTU. The minimum



MTU for a channel is the larger of the L2CAP minimum 48 octet MTU and any MTU explicitly required by the protocols and profiles using that channel.

Note: The MTU is only affected by the profile directly using the channel. For example, if a service discovery transaction is initiated by a non service discovery profile, that profile does not affect the MTU of the L2CAP channel used for service discovery.

The following rules shall be used when responding to an L2CAP_-CONFIGURATION_REQ packet specifying the MTU for a channel:

- A request specifying any MTU greater than or equal to the minimum MTU for the channel shall be accepted.
- A request specifying an MTU smaller than the minimum MTU for the channel may be rejected.

The signaling described in [Section 4.5](#) may be used to reject an MTU smaller than the minimum MTU for a channel. The "failure-unacceptable parameters" result sent to reject the MTU shall include the proposed value of MTU that the remote device intends to transmit. It is implementation specific whether the local device continues the configuration process or disconnects the channel.

If the remote device sends a positive L2CAP_CONFIGURATION_RSP packet it should include the actual MTU to be used on this channel for traffic flowing into the local device. Following the above rules, the actual MTU cannot be less than 48 bytes. This is the minimum of the MTU in the L2CAP_-CONFIGURATION_REQ packet and the outgoing MTU capability of the device sending the L2CAP_CONFIGURATION_RSP packet. The new agreed value (the default value in a future re-configuration) is the value specified in the response.

Note: For backwards compatibility reception of the MTU option in a negative L2CAP_CONFIGURATION_RSP packet where the MTU option is not in error should be interpreted in the same way as it is in a positive L2CAP_-CONFIGURATION_RSP packet (e.g. the case where another configuration option value is unacceptable but the negative L2CAP_CONFIGURATION_RSP packet contains the MTU option in addition to the unacceptable option).

The MTU to be used on this channel for the traffic flowing in the opposite direction will be established when the remote device sends its own L2CAP_CONFIGURATION_REQ packet as explained in [Section 4.4](#).

If the configured mode is Enhanced Retransmission mode or Streaming mode then MTU shall not be reconfigured to a smaller size.

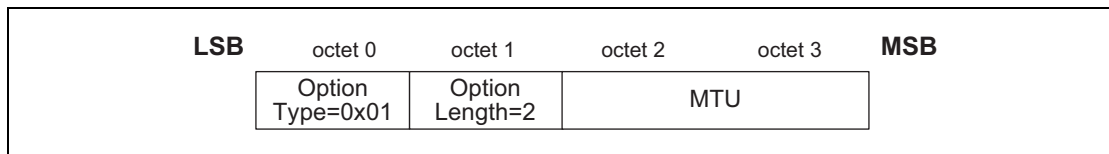


Figure 5.2: MTU option format

The option data field is:

- *Maximum Transmission Unit - MTU (2 octets)*

The MTU field is the maximum SDU size, in octets, that the originator of the Request can accept for this channel. The MTU is asymmetric and the sender of the Request shall specify the MTU it can receive on this channel if it differs from the default value. L2CAP implementations shall support a minimum MTU size of 48 octets. The default value is 672 octets.

5.2 FLUSH TIMEOUT OPTION

This option is used to inform the recipient of the Flush Timeout the sender is going to use. This option shall not be used if the Extended Flow Specification is used. The Flush Timeout is defined in the BR/EDR Baseband specification [Vol 2] Part B, Section 3.3. The Option Type is 0x02 and the Option Length is 2 octets (see Figure 5.3). The Flush Timeout option is negotiable.

If the remote device returns a negative response to this option and the local device cannot honor the proposed value, then it shall either continue the configuration process by sending a new request with the original value, or disconnect the channel. The flush timeout applies to all channels on the same ACL logical transport but may be overridden on a packet by packet basis by marking individual L2CAP packets as non-automatically-flushable via the Packet_Boundary_Flag in the HCI ACL Data packet (see Section 1.1).

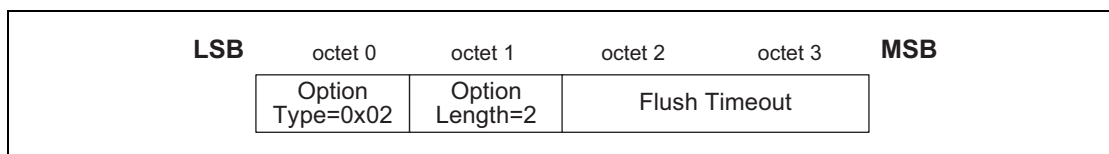


Figure 5.3: Flush Timeout option format

The option data field is:

- *Flush Timeout*

This value is the Flush Timeout in milliseconds. This is an asymmetric value and the sender of the Request shall specify its flush timeout value if it differs from the default value of 0xFFFF.

Possible values are:

0x0001 - no retransmissions at the Baseband level should be performed since the minimum polling interval is 1.25 ms.



0x0002 to 0xFFFFE - Flush Timeout used by the Baseband.

0xFFFF - an infinite amount of retransmissions. This is also referred to as a 'reliable channel'. In this case, the Baseband shall continue retransmissions until physical link loss is declared by link manager timeouts.

5.3 QUALITY OF SERVICE (QOS) OPTION

This option specifies a flow specification similar to RFC 1363¹. Although the RFC flow specification addresses only the transmit characteristics, the Bluetooth QoS interface can handle the two directions (Tx and Rx) in the negotiation as described below.

If no QoS configuration parameter is negotiated the link shall assume the default parameters. The Option Type is 0x03. This option shall not be used if the Extended Flow Specification option is used. The QoS option is negotiable. [Figure 5.4](#) specifies the format of this option.

In an L2CAP_CONFIGURATION_REQ packet, this option describes the outgoing traffic flow from the device sending the request. In a positive L2CAP_CONFIGURATION_RSP packet, this option describes the incoming traffic flow agreement to the device sending the response. In a negative L2CAP_CONFIGURATION_RSP packet, this option describes the preferred incoming traffic flow to the device sending the response.

L2CAP implementations are only required to support 'Best Effort' service, support for any other service type is optional. Best Effort does not require any guarantees. If no QoS option is placed in the request, Best Effort shall be assumed. If any QoS guarantees are required then a QoS configuration request shall be sent.

The remote device's L2CAP_CONFIGURATION_RSP packet contains information that depends on the value of the result field (see [Section 4.5](#)). If the request was for Guaranteed Service, the response shall include specific values for any wild card parameters (see Token Rate and Token Bucket Size descriptions) contained in the request. If the result is "Failure – unacceptable parameters", the response shall include a list of outgoing flow specification parameters and parameter values that would make a new L2CAP_CONNECTION_REQ packet from the local device acceptable by the remote device. Both explicitly referenced in an L2CAP_CONFIGURATION_REQ packet or implied configuration parameters can be included in an L2CAP_CONFIGURATION_RSP packet. Recall that any missing configuration parameters from an L2CAP_CONFIGURATION_REQ packet are assumed to have their most recently accepted values.

If an L2CAP_CONFIGURATION_REQ packet contains any QoS option parameters set to "do not care" then the L2CAP_CONFIGURATION_RSP

1. Internet Engineering Task Force, "A Proposed Flow Specification", RFC 1363, September 1992.



packet shall set the same parameters to “do not care”. This rule applies for both Best Effort and Guaranteed Service.

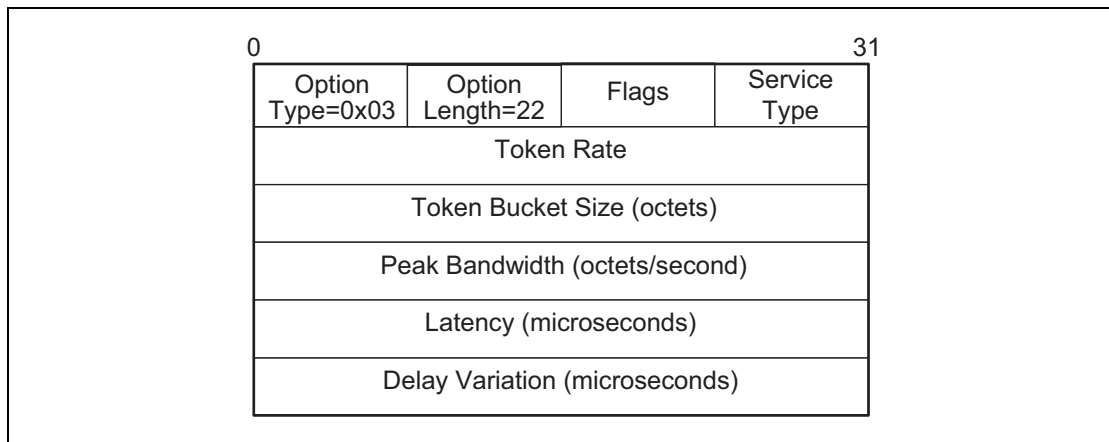


Figure 5.4: Quality of Service (QoS) option format containing Flow Specification

The option data fields are:

- *Flags (1 octet)*

Reserved for future use.

- *Service Type (1 octet)*

This field indicates the level of service required. [Table 5.1](#) defines the different services available. The default value is ‘Best effort’.

If ‘Best effort’ is selected, the remaining parameters should be treated as optional by the remote device. The remote device may choose to ignore the fields, try to satisfy the parameters but provide no response (QoS option omitted in the Response message), or respond with the settings it will try to meet.

If ‘No traffic’ is selected, the remainder of the fields shall be ignored because there is no data being sent across the channel in the outgoing direction.

Value	Description
0x00	No traffic
0x01	Best effort (Default)
0x02	Guaranteed
Other	Reserved for future use

Table 5.1: Service type definitions

- *Token Rate (4 octets)*

The value of this field represents the average data rate with which the application transmits data. The application may send data at this rate continuously. On a short time scale the application may send data in excess of the average data rate, dependent on the specified Token Bucket Size and



Peak Bandwidth (see below). The Token Bucket Size and Peak Bandwidth allow the application to transmit data in a 'bursty' fashion.

The Token Rate signaled between two L2CAP peers is the data transmitted by the application and shall exclude the L2CAP protocol overhead. The Token Rate signaled over the interface between L2CAP and the Link Manager shall include the L2CAP protocol overhead. Furthermore the Token Rate value signaled over this interface may also include the aggregation of multiple L2CAP channels onto the same ACL logical transport.

The Token Rate is the rate with which traffic credits are provided. Credits can be accumulated up to the Token Bucket Size. Traffic credits are consumed when data is transmitted by the application. When traffic is transmitted, and there are insufficient credits available, the traffic is non-conformant. The Quality of Service guarantees are only provided for conformant traffic. For non-conformant traffic there may be insufficient resources such as bandwidth and buffer space. Furthermore non-conformant traffic may violate the QoS guarantees of other traffic flows.

The Token Rate is specified in octets per second. The value 0x00000000 indicates no token rate is specified. This is the default value and means "do not care". When the Guaranteed service is selected, the default value shall not be used. The value 0xFFFFFFFF is a wild card matching the maximum token rate available. The meaning of this value depends on the service type. For best effort, the value is a hint that the application wants as much bandwidth as possible. For Guaranteed service the value represents the maximum bandwidth available at the time of the request.

- *Token Bucket Size (4 octets)*

The Token Bucket Size specifies a limit on the 'burstiness' with which the application may transmit data. The application may offer a burst of data equal to the Token Bucket Size instantaneously, limited by the Peak Bandwidth (see below). The Token Bucket Size is specified in octets.

The Token Bucket Size signaled between two L2CAP peers is the data transmitted by the application and shall exclude the L2CAP protocol overhead. The Token Bucket Size signaled over the interface between L2CAP and Link Manager shall include the L2CAP protocol overhead. Furthermore the Token Bucket Size value over this interface may include the aggregation of multiple L2CAP channels onto the same ACL logical transport.

The value of 0x00000000 means that no token bucket is needed; this is the default value. When the Guaranteed service is selected, the default value shall not be used. The value 0xFFFFFFFF is a wild card matching the maximum token bucket available. The meaning of this value depends on the service type. For best effort, the value indicates the application wants a bucket as big as possible. For Guaranteed service the value represents the maximum L2CAP SDU size.

The Token Bucket Size is a property of the traffic carried over the L2CAP channel. The Maximum Transmission Unit (MTU) is a property of an L2CAP



implementation. For the Guaranteed service the Token Bucket Size shall be smaller or equal to the MTU.

- *Peak Bandwidth (4 octets)*

The value of this field, expressed in octets per second, limits how fast packets from applications may be sent back-to-back. Some systems can take advantage of this information, resulting in more efficient resource allocation.

The Peak Bandwidth signaled between two L2CAP peers specifies the data transmitted by the application and shall exclude the L2CAP protocol overhead. The Peak Bandwidth signaled over the interface between L2CAP and Link Manager shall include the L2CAP protocol overhead. Furthermore the Peak Bandwidth value over this interface may include the aggregation of multiple L2CAP channels onto the same ACL logical transport.

The value of 0x00000000 means "don't care." This states that the device has no preference on incoming maximum bandwidth, and is the default value. When the Guaranteed service is selected, the default value shall not be used.

- *Access Latency (4 octets)*

The value of this field is the maximum acceptable delay of an L2CAP packet to the air-interface. The precise interpretation of this number depends on over which interface this flow parameter is signaled. When signaled between two L2CAP peers, the Access Latency is the maximum acceptable delay between the instant when the L2CAP SDU is received from the upper layer and the start of the L2CAP SDU transmission over the air. When signaled over the interface between L2CAP and the Link Manager, it is the maximum delay between the instant the first fragment of an L2CAP PDU is stored in the Controller buffer and the initial transmission of the L2CAP packet on the air.

Thus the Access Latency value may be different when signaled between L2CAP and the Link Manager to account for any queuing delay at the L2CAP transmit side. Furthermore the Access Latency value may include the aggregation of multiple L2CAP channels onto the same ACL logical transport.

The Access Latency is expressed in microseconds. The value 0xFFFFFFFF means "do not care" and is the default value. When the Guaranteed service is selected, the default value shall not be used.

- *Delay Variation (4 octets)*

The value of this field is the difference, in microseconds, between the maximum and minimum possible delay of an L2CAP SDU between two L2CAP peers. The Delay Variation is a purely informational parameter. The value 0xFFFFFFFF means "do not care" and is the default value.



5.4 RETRANSMISSION AND FLOW CONTROL OPTION

This option specifies whether retransmission and flow control is used. If the feature is used both incoming and outgoing parameters are specified by this option. The Retransmission and Flow Control option contains both negotiable parameters and non-negotiable parameters. The mode parameter controls both incoming and outgoing data flow (i.e. both directions have to agree) and is negotiable. The other parameters control incoming data flow and are non-negotiable. [Figure 5.5](#) specifies the format of this option.

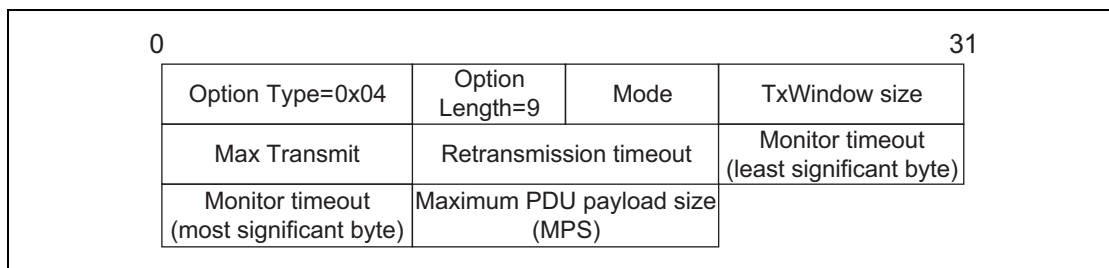


Figure 5.5: Retransmission and Flow Control option format

The option data fields are:

- *Mode (1 octet)*

The field contains the requested mode of the link. Possible values are shown in [Table 5.2](#).

Value	Description
0x00	L2CAP Basic Mode
0x01	Retransmission mode
0x02	Flow control mode
0x03	Enhanced Retransmission mode
0x04	Streaming mode
Other	Reserved for future use

Table 5.2: Mode definitions

The Basic L2CAP mode is the default. If Basic L2CAP mode is requested then all other parameters shall be ignored.

Enhanced Retransmission mode should be enabled if a reliable channel has been requested. Enhanced Retransmission mode shall only be sent to an L2CAP entity that has previously advertised support for the mode in its Extended Feature Mask (see [Section 4.12](#)).

Streaming mode should be enabled if a finite L2CAP Flush Timeout is set on an L2CAP connection. Streaming mode shall only be sent to a device that has previously advertised support for the mode in the Extended Feature Mask (see [Section 4.12](#)).



Flow Control mode and Retransmission mode shall only be used for backwards compatibility with L2CAP entities that do not support Enhanced Retransmission mode or Streaming mode.

- *TxWindow size (1 octet)*

This field specifies the size of the transmission window for Flow Control mode, Retransmission mode, and Enhanced Retransmission mode. The range is 1 to 32 for Flow Control mode and Retransmission mode. The range is 1 to 63 for Enhanced Retransmission mode.

In Retransmission mode and Flow Control mode this parameter should be negotiated to reflect the buffer sizes allocated for the connection on both sides. In general, the Tx Window size should be made as large as possible to maximize channel utilization. Tx Window size also controls the delay on flow control action. The transmitting device can send as many PDUs fit within the window.

In Enhanced Retransmission mode this value indicates the maximum number of I-frames that the sender of the option can receive without acknowledging some of the received frames. It is not negotiated. It is an informational parameter that each L2CAP entity can specify separately. In general, the TxWindow size should be made as large as possible to maximize channel utilization. The transmitting L2CAP entity can send as many PDUs as will fit within the receiving L2CAP entity's TxWindow. TxWindow size values in an L2CAP_CONFIGURATION_RSP packet indicate the maximum number of packets the sender can send before it requires an acknowledgment. In other words it represents the number of unacknowledged packets the send can hold. The value sent in an L2CAP_CONFIGURATION_RSP packet shall be less than or equal to the TxWindow size sent in the L2CAP_CONFIGURATION_REQ packet. The receiver of this option in the L2CAP_CONFIGURATION_RSP packet may use this value as part of its acknowledgment algorithm.

In Streaming mode this value is reserved for future use.

- *MaxTransmit (1 octet)*

This field controls the number of transmissions of a single I-frame that L2CAP is allowed to try in Retransmission mode and Enhanced Retransmission mode. The minimum value is 1 (one transmission is permitted).

MaxTransmit controls the number of retransmissions that L2CAP is allowed to try in Retransmission mode and Enhanced Retransmission mode before accepting that a packet and the channel is lost. When a packet is lost after being transmitted MaxTransmit times the channel shall be disconnected by sending a Disconnect request (see [Section 4.6](#)). In Enhanced Retransmission mode MaxTransmit controls the number of retransmissions for I-frames and S-frames with P-bit set to 1. The sender of the option in an L2CAP_CONFIGURATION_REQ packet specifies the value that shall be used by the receiver of the option. MaxTransmit values in an L2CAP_CONFIGURATION_RSP packet shall be ignored. Lower values might be appropriate for services requiring low latency. Higher values will be suitable for a link requiring robust operation. A value of 1



means that no retransmissions will be made but also means that the channel will be disconnected as soon as a packet is lost. MaxTransmit shall not be set to zero in Retransmission mode. In Enhanced Retransmission mode a value of zero for MaxTransmit means infinite retransmissions.

In Streaming mode this value is reserved for future use.

- *Retransmission timeout (2 octets)*

This is the value in milliseconds of the retransmission timeout (this value is used to initialize the RetransmissionTimer).

The purpose of this timer in retransmission mode is to activate a retransmission in some exceptional cases. In such cases, any delay requirements on the channel may be broken, so the value of the timer should be set high enough to avoid unnecessary retransmissions due to delayed acknowledgments. Suitable values could be 100's of milliseconds and up.

The purpose of this timer in flow control mode is to supervise I-frame transmissions. If an acknowledgment for an I-frame is not received within the time specified by the RetransmissionTimer value, either because the I-frame has been lost or the acknowledgment has been lost, the timeout will cause the transmitting side to continue transmissions. Suitable values are implementation dependent.

The purpose of this timer in Enhanced Retransmission mode is to detect lost I-frames and initiate appropriate error recovery. The value used for the Retransmission timeout is specified in [Section 8.6.2](#). The value sent in an L2CAP_CONFIGURATION_REQ packet is also specified in [Section 8.6.2](#). A value for the Retransmission timeout shall be sent in a positive L2CAP_CONFIGURATION_RSP packet and indicates the value that will be used by the sender of the L2CAP_CONFIGURATION_RSP packet.

In Streaming mode this value is reserved for future use.

- *Monitor timeout (2 octets)*

In Retransmission mode this is the value in milliseconds of the interval at which S-frames should be transmitted on the return channel when no frames are received on the forward channel. (this value is used to initialize the MonitorTimer, see below).

This timer ensures that lost acknowledgments are retransmitted. Its main use is to recover Retransmission Disable Bit changes in lost frames when no data is being sent. The timer shall be started immediately upon transitioning to the open state. It shall remain active as long as the connection is in the open state and the retransmission timer is not active. Upon expiration of the Monitor timer an S-frame shall be sent and the timer shall be restarted. If the monitor timer is already active when an S-frame is sent, the timer shall be restarted. An idle connection will have periodic monitor traffic sent in both directions. The value for this timeout should also be set to 100's of milliseconds or higher.

In Enhanced Retransmission mode the Monitor timeout is used to detect lost S-frames with P-bit set to 1. If the timeout occurs before a response with the



F-bit set to 1 is received the S-frame is resent. The value used for the Monitor timeout is specified in [Section 8.6.3](#). The value sent in an L2CAP_CONFIGURATION_REQ packet is also specified in [Section 8.6.2](#). A value for the Monitor timeout shall be sent in a positive L2CAP_CONFIGURATION_RSP packet and indicates the value that will be used by the sender of the L2CAP_CONFIGURATION_RSP packet.

In Streaming mode this value is reserved for future use.

- *Maximum PDU payload Size - MPS (2 octets)*

The maximum payload size that the L2CAP layer entity sending the option in an L2CAP_CONFIGURATION_REQ packet is capable of accepting, i.e. the MPS corresponds to the maximum PDU payload size. Each device specifies the value separately. An MPS value sent in a positive L2CAP_CONFIGURATION_RSP packet is the actual MPS the receiver of the L2CAP_CONFIGURATION_REQ packet will use on this channel for traffic flowing into the local device. An MPS value sent in a positive L2CAP_CONFIGURATION_RSP packet shall be equal to or smaller than the value sent in the L2CAP_CONFIGURATION_REQ packet.

When using Retransmission mode and Flow Control mode the settings are configured separately for the two directions of an L2CAP connection. For example, in operating with an L2CAP entity implementing a lower version of the specification, an L2CAP connection can be configured as Flow Control mode in one direction and Retransmission mode in the other direction. If Basic L2CAP mode is configured in one direction and Retransmission mode or Flow control mode is configured in the other direction on the same L2CAP channel then the channel shall not be used.

Note: This asymmetric configuration only occurs during configuration.

When using Enhanced Retransmission mode or Streaming mode, both directions of the L2CAP connection shall be configured to the same mode. A precedence algorithm shall be used by both devices so a mode conflict can be resolved in a quick and deterministic manner.

There are two operating states:

- A device has a preferred mode but is willing to use another mode (known as "state 1"), and
- A device requires a specific mode (known as "state 2"). This includes cases where channels are created over ACL-U logical links operating as described in [Section 7.10](#).

In state 1, Basic L2CAP mode has the highest precedence and shall take precedence over Enhanced Retransmission mode and Streaming mode. Enhanced Retransmission mode has the second highest precedence and shall take precedence over all other modes except Basic L2CAP mode. Streaming mode shall have the next level of precedence after Enhanced Retransmission mode.



In state 2, a layer above L2CAP requires Enhanced Retransmission mode or Streaming mode. In this case, the required mode takes precedence over all other modes.

A device does not know in which state the remote device is operating so the state 1 precedence algorithm assumes that the remote device may be a state 2 device. If the mode proposed by the remote device has a higher precedence (according to the state 1 precedence) then the algorithm will operate such that creation of a channel using the remote device's mode has higher priority than disconnecting the channel.

The algorithm for state 1 devices is divided into two parts. Part one covers the case where the remote device proposes a mode with a higher precedence than the state 1 local device. Part two covers the case where the remote device proposes a mode with a lower precedence than the state 1 local device. Part one of the algorithm is as follows:

- When the remote device receives the L2CAP_CONFIGURATION_REQ packet from the local device it will either reject the local device's L2CAP_CONFIGURATION_REQ packet by sending a negative L2CAP_CONFIGURATION_RSP packet or disconnect the channel. The negative L2CAP_CONFIGURATION_RSP packet will contain the remote device's desired mode.
- Upon receipt of the negative L2CAP_CONFIGURATION_RSP packet the local device shall either send a second L2CAP_CONFIGURATION_REQ packet proposing the mode contained in the remote device's negative L2CAP_CONFIGURATION_RSP packet or disconnect the channel.
- When the local device receives the L2CAP_CONFIGURATION_REQ packet from the remote device it shall send a positive L2CAP_CONFIGURATION_RSP packet or disconnect the channel.
- If the mode in the remote Device's negative L2CAP_CONFIGURATION_RSP packet does not match the mode in the remote device's L2CAP_CONFIGURATION_REQ packet then the local device shall disconnect the channel.

Part two of the algorithm is as follows:

- When the local device receives the L2CAP_CONFIGURATION_REQ packet from the remote device it shall reject the L2CAP_CONFIGURATION_REQ packet by sending a negative L2CAP_CONFIGURATION_RSP packet proposing its desired mode. The local device's desired mode shall be the same mode it sent in its L2CAP_CONFIGURATION_REQ packet. Upon receiving the negative L2CAP_CONFIGURATION_RSP packet the remote device will either send a second L2CAP_CONFIGURATION_REQ packet or disconnect the channel.
- If the local device receives a second L2CAP_CONFIGURATION_REQ packet from the remote device that does not contain the desired mode then the local device shall disconnect the channel.



- If the local device receives a negative L2CAP_CONFIGURATION_RSP packet then it shall disconnect the channel.

An example of the algorithm for state 1 devices is as follows:

- The remote device proposes Basic L2CAP mode in an L2CAP_CONFIGURATION_REQ packet and the local device proposes Enhanced Retransmission mode or Streaming mode. The remote device rejects the local device's L2CAP_CONFIGURATION_REQ packet by sending a negative L2CAP_CONFIGURATION_RSP packet proposing Basic mode. The local device will send a second L2CAP_CONFIGURATION_REQ packet proposing Basic L2CAP mode or disconnect the channel. If the local device sends a second L2CAP_CONFIGURATION_REQ packet that does not propose Basic L2CAP mode then the remote device will disconnect the channel. If the local device rejects the remote device's L2CAP_CONFIGURATION_REQ packet then the remote device will disconnect the channel.

The algorithm for state 2 devices is as follows:

- If the local device proposes a mode in an L2CAP_CONFIGURATION_REQ packet and the remote device proposes a different mode or rejects the local device's L2CAP_CONFIGURATION_REQ packet then the local device shall disconnect the channel.

For Enhanced Retransmission mode and Streaming mode the Retransmission timeout and Monitor Timeout parameters of the Retransmission and Flow Control option parameters may be changed but all other parameters shall not be changed in a subsequent reconfiguration after the channel has reached the OPEN state.

5.5 FRAME CHECK SEQUENCE (FCS) OPTION

This option is used to specify the type of Frame Check Sequence (FCS) that will be included on S/I-frames that are sent. It is non-negotiable. The FCS option shall only be used when the mode is configured to, or in an L2CAP_CONFIGURATION_REQ packet that contains an option configuring it to, Enhanced Retransmission mode or Streaming mode. This option shall only be used if the peer L2CAP entity has indicated support for the FCS Option in the Extended Features Mask (see [Section 4.12](#)).

[Figure 5.6](#) specifies the format of this option. The Option Type is 0x05. "No FCS" shall only be used if both L2CAP entities send the FCS Option with value 0x00 (No FCS) in an L2CAP_CONFIGURATION_REQ packet. If one L2CAP entity sends the FCS Option with "No FCS" in an L2CAP_CONFIGURATION_REQ packet and the other L2CAP sends the FCS Option with a value other than "No FCS" then the default shall be used. If one or both L2CAP entities do



not send the FCS option in an L2CAP_CONFIGURATION_REQ packet then the default shall be used.

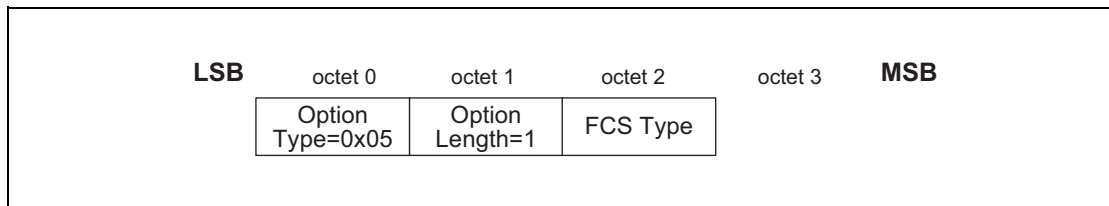


Figure 5.6: FCS option format

The FCS types are shown in [Table 5.3](#)

Value	Description
0x00	No FCS
0x01	16-bit FCS defined in section 3.3.5 (default)
Other	Reserved for future use

Table 5.3: FCS types

Value of 0x00 is set when the sender wishes to omit the FCS from S/I-frames.

5.6 EXTENDED FLOW SPECIFICATION OPTION

This option specifies a flow specification for requesting a desired Quality of Service (QoS) on a channel. It is non-negotiable. Extended Flow Specification may be supported on channels created over ACL-U logical links (see [Section 7.10](#)). If both devices show support for Extended Flow Specification for BR/EDR in the Extended Feature mask (see [Table 4.12](#)) then all channels created between the two devices shall use an Extended Flow Specification. The Quality of Service option and Flush Timeout option shall not be used if the Extended Flow Specification is used.

The parameters in the Extended Flow Specification option specify the traffic stream in the outgoing direction (transmitted traffic). The Option Type is 0x06. [Figure 5.7](#) specifies the format of this option.

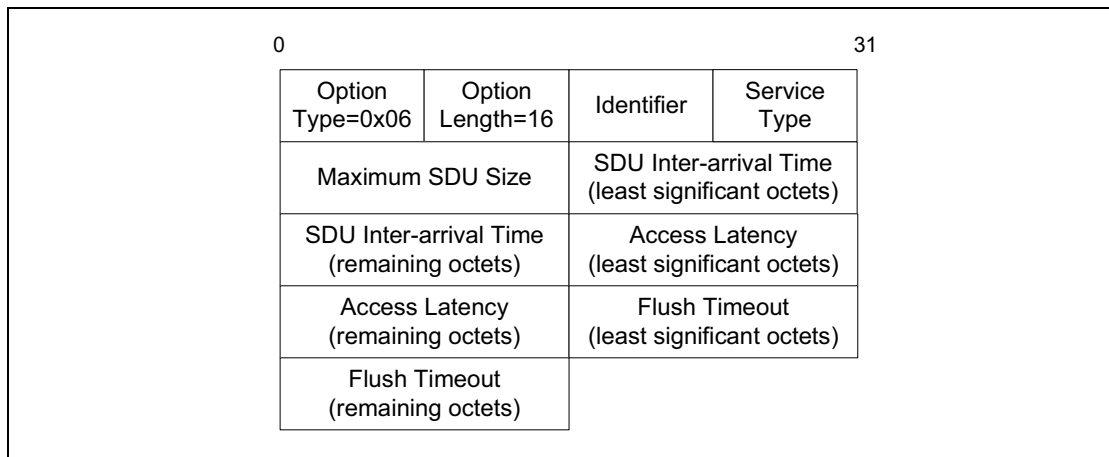


Figure 5.7: Extended Flow Specification option format

If no Extended Flow Specification is provided by the upper layer, an Extended Flow Specification with following default values shall be used:

Qos Parameter	Default Value
Identifier	0x01
Service Type	Best Effort
Maximum SDU size	0xFFFF
SDU Inter-arrival Time	0xFFFFFFFF
Access Latency	0xFFFFFFFF
Flush Timeout	0xFFFFFFFF

Table 5.4: Default values for Extended Flow Specification

For a Best Effort channel no latency, air-time or bandwidth guarantees shall be assumed.

The parameters of the Extended Flow Specification are shown in [Table 5.5](#):

QoS parameter	Parameter Size in Octets	Unit
Identifier	1	na
Service Type	1	na
Maximum SDU Size	2	octets
SDU Inter-arrival Time	4	microseconds
Access Latency	4	microseconds
Flush Timeout	4	microseconds

Table 5.5: Traffic parameters for L2CAP QoS configuration



- *Identifier (1 octet)*

This field provides a unique identifier for the flow specification. This identifier is used by some Controllers in the process of setting up the QoS request. Each active flow specification sent by a device to configure an L2CAP channel shall have a unique Identifier. An Identifier can be reused when the L2CAP channel associated with the flow spec is disconnected. The Identifier shall be unique within the scope of a physical link. Extended Flow Specifications for channels on different physical links may have the same Identifier. The Identifier for an Extended Flow Specification with Service Type Best Effort shall be 0x01.

Since the Identifier for an Extended Flow Specification with Service Type Best Effort is fixed to 0x01 it is possible to generate a Best Effort Extended Flow Specification for the remote device without performing the Lockstep Configuration process. (The Lockstep Configuration process is described in [Section 7.1.3](#)).

- *Service Type (1 octet)*

This field indicates the level of service required. [Table 5.6](#) defines the different Service Types values. The default value is 'Best effort'. If 'Best effort' is selected then Access Latency and Flush Timeout shall both be set to 0xFFFFFFFF. Maximum SDU size and SDU Inter-arrival Time are used to indicate the maximum data rate that the application can deliver to L2CAP for transmission. The remote device should respond with lower settings indicating the maximum rate at which it can receive data (for example, maximum rate data it can write to a mass storage device, etc.). Values of 0xFFFF for Maximum SDU size and 0xFFFFFFFF for SDU Inter-arrival time are used when the actual values are not known. If Maximum SDU size is set to 0xFFFF then SDU Inter-arrival time shall be set to 0xFFFFFFFF, if SDU Inter-arrival time is set to 0xFFFFFFFF then Maximum SDU size shall be set to 0xFFFF. This tells the Controller to allocate as much bandwidth as possible.

If “Guaranteed” is selected the QoS parameters can be used to identify different types of Guaranteed traffic.

- **Guaranteed bandwidth** traffic is traffic with a minimum data rate but no particular latency requested. Latency will be related to the link supervision timeout. For this type of traffic Access Latency is set to 0xFFFFFFFF.
- **Guaranteed Latency** traffic is traffic with only latency requirements. For this type of traffic SDU Inter-arrival time is set to 0xFFFFFFFF. HID interrupt channel and AVRCP are examples of this type of traffic.
- **Both Guaranteed Latency and Bandwidth** traffic has both a latency and bandwidth requirement. An example is Audio/Video streaming.



If 'No Traffic' is selected the remainder of the fields shall be ignored because there is no data being sent across the channel in the outgoing direction.

Value	Description
0x00	No Traffic
0x01	Best effort (Default)
0x02	Guaranteed
Other	Reserved for future use

Table 5.6: Service type definitions

A channel shall not be configured as “Best Effort” in one direction and “Guaranteed” in the other direction. If a channel is configured in this way it shall be disconnected. A channel may be configured as “No Traffic” in one direction and “Best Effort” in the other direction. The “No Traffic” refers to the application traffic not the Enhanced Retransmission mode supervisory traffic. A channel configured in this way is considered to have a service type of Best Effort. A channel may be configured as “No Traffic” in one direction and “Guaranteed” in the other direction. A channel configure in this way is considered to have a service type of Guaranteed.

Once configured the service type of a channel shall not be changed during reconfiguration.

- *Maximum SDU Size (2 octets)*

The Maximum SDU Size parameter specifies the maximum size of the SDUs transmitted by the application. If the Service Type is “Guaranteed” then traffic submitted to L2CAP with a larger size is considered non-conformant. QoS guarantees are only provided for conformant traffic.

- *SDU Inter-arrival time (4 octets)*

The SDU Inter-arrival time parameter specifies the time between consecutive SDUs generated by the application. For streaming traffic, SDU Inter-arrival time should be set to the average time between SDUs. For variable rate traffic and best effort traffic, SDU Inter-arrival time should be set to the minimum time between SDUs. If the Service Type is “Guaranteed” then traffic submitted to L2CAP with a smaller interval, is considered non-conformant. QoS guarantees are only provided for conformant traffic.

- *Access Latency (4 octets)*

The Access Latency parameter specifies the maximum delay between consecutive transmission opportunities on the air-interface for the connection. Access latency is based on the time base of the Controller, which is not necessarily synchronous to the time base being used by the Host or the application.

For streaming traffic (such as in A2DP), the Access Latency should be set to indicate the time budgeted for transmission of the data over the air, and



would normally be roughly equal to the Flush Timeout minus the duration of streaming data which can be stored in the receive side application buffers.

For non-streaming, bursty traffic (such as in HID and AVRCP), the Access Latency parameter value sent in the L2CAP_CONFIGURATION_REQ packet should be set to the desired latency, minus any HCI transport delays and any other stack delays that may be expected on the device and on target Host systems. The remote device receiving the L2CAP_CONFIGURATION_REQ packet may send an Access Latency parameter value in the L2CAP_CONFIGURATION_RSP packet which is equal to or lower than the value it received. The remote device may send a lower value to account for other traffic it may be carrying, or overhead activities it may be carrying out.

If HCI is used then the Host should take into account the latency of the HCI transport when determining the value for the Access Latency. For example if the application requires an Access Latency of 20 ms and the HCI transport has a latency of 5 ms then the value for Access Latency should be 15 ms.

- *Flush Timeout (4 Octets)*

The Flush Timeout defines a maximum period after which all segments of the SDU are flushed from L2CAP and the Controller. A Flush Timeout value of 0xFFFFFFFF indicates that data will not be discarded by the transmitting side, even if the link becomes congested, and thus in this case data is treated as reliable and is never flushed.

The device receiving the L2CAP_CONFIGURATION_REQ packet with Flush Timeout set to 0xFFFFFFFF should not modify this parameter. The Flush Timeout for a “Best Effort” channel shall be set to 0xFFFFFFFF.

However, if the Traffic Type is “Guaranteed” and the transmit side buffer is limited, then the Flush Timeout parameter given in the L2CAP_CONFIGURATION_REQ packet may be set to a value corresponding to the duration of streaming data which the transmit buffer can hold before it must begin discarding data. The side receiving the L2CAP_CONFIGURATION_REQ packet may then set the Flush Timeout parameter in the L2CAP_CONFIGURATION_RSP packet to a lower value if the receive side buffer is smaller than the transmit side buffer.

Note: The total available buffer space is typically a combination of application buffers, any buffers maintained by the L2CAP implementation, and HCI buffers provided by the Controller.

The Flush Timeout should normally be set to a value which is larger than the Access Latency, and which also accounts for buffers maintained by the application on the receive side such as de-jitter buffers used in audio and video streaming applications. In general, the Flush Timeout value should be selected to ensure that the Flush Timeout expires when the application buffers are about to be exhausted.

Flush Timeout may be set to 0x00000000 to indicate that no retransmissions are to occur. Data may be flushed immediately after transmission in this case. This behavior is useful in applications such as gaming where the tolerable latency is on the order of a few milliseconds, and hence the



information contained in a packet will become stale very rapidly. In such applications, it is preferable to send “fresher” data if the last SDU submitted for transmission was not transmitted as a result of interference.

5.7 EXTENDED WINDOW SIZE OPTION

This option is used to negotiate the maximum extended window size. The Option Type is 0x07 and the option is non-negotiable. Figure 5.8 specifies the format of this option.

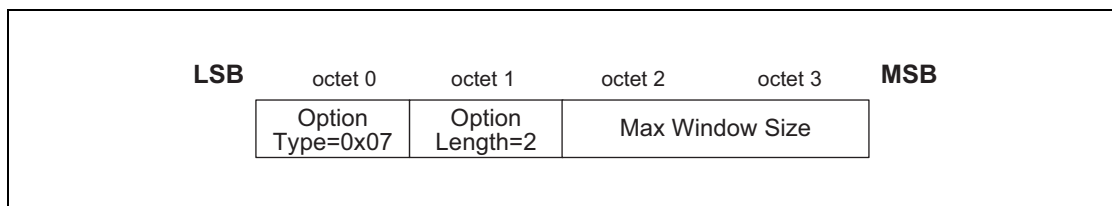


Figure 5.8: Extended Window Size option format

The allowable values for the Maximum Extended Window Size are:

Value	Description
0x0000	Invalid value for Enhanced Retransmission mode Valid for Streaming mode
0x0001 to 0x3FFF	Valid maximum window size (frames) for Enhanced Retransmission mode. Invalid for Streaming mode
Other	Reserved for future use

Table 5.7: Extended Window Size values

This option shall only be sent if the peer L2CAP entity has indicated support for the Extended Window size feature in the Extended Features Mask (see Section 4.12).

This option shall be ignored if the channel is configured to use Basic L2CAP Mode (see Section 5.4).

For Enhanced Retransmission mode, this option has the same directional semantics as the Retransmission and Flow Control option (see Section 5.4). The sender of an L2CAP_CONFIGURATION_REQ packet containing this option is suggesting the maximum window size (possibly based on its own internal L2CAP receive buffer resources) that the peer L2CAP entity should use when sending data.

For Streaming mode, this option is used to enable use of the Extended Control Field and if sent, shall have a value of 0.



If this option is successfully configured then the Maximum Window Size negotiated using the Retransmission and Flow Control option (see [Section 5.4](#)) shall be ignored.

If this option is successfully configured in either direction then both L2CAP entities shall use the Extended Control Fields in all S/I-frames (see [Section 3.3.2](#)).

If the option is only configured in one direction then the maximum window size for the opposite direction shall be taken from the maximum window size value in the existing Retransmission and Flow Control option. In this configuration both L2CAP entities shall use the extended control fields in all S/I-frames.



6 STATE MACHINE

The state machine does not necessarily represent all possible scenarios.

6.1 GENERAL RULES FOR THE STATE MACHINE

It is implementation specific, and outside the scope of the specification, how the transmissions are triggered.

“Ignore” means that the signal can be silently discarded.

The following states have been defined to clarify the protocol; the actual number of states and naming in a given implementation is outside the scope of the specification:

- CLOSED – channel not connected.
- WAIT_CONNECT – a connection request has been received, but only a connection response with indication “pending” can be sent.
- WAIT_CONNECT_RSP – a connection request has been sent, pending a positive connect response.
- CONFIG – the different options are being negotiated for both sides; this state comprises a number of substates, see [Section 6.1.3](#)
- OPEN – user data transfer state.
- WAIT_DISCONNECT – a disconnect request has been sent, pending a disconnect response.

In the following state tables and descriptions, the L2CAP_Data message corresponds to one of the PDU formats used on connection-oriented data channels as described in [Section 3](#), including PDUs containing B-frames, I-frames, or S-frames.

Some state transitions and actions are triggered only by internal events effecting one of the L2CAP entity implementations, not by preceding L2CAP signaling messages. It is implementation-specific and out of the scope of the specification, how these internal events are realized; just for the clarity of specifying the state machine, the following abstract internal events are used in the state event tables, as far as needed:

- *OpenChannel_Req* – a local L2CAP entity is requested to set up a new connection-oriented channel.
- *OpenChannel_Rsp* – a local L2CAP entity is requested to finally accept or refuse a pending connection request.
- *ConfigureChannel_Req* – a local L2CAP entity is requested to initiate an outgoing configuration request.
- *CloseChannel_Req* – a local L2CAP entity is requested to close a channel.
- *SendData_Req* – a local L2CAP entity is requested to transmit an SDU.



- *ReconfigureChannel_Req* – a local L2CAP entity is requested to reconfigure the parameters of a connection-oriented channel.
- *ControllerLogicalLinkInd* – a Controller indicates the acceptance or rejection of a logical link request with an Extended Flow Specification.

There is a single state machine for each L2CAP connection-oriented channel that is active. A state machine is created for each new L2CAP_ConnectReq received. The state machine always starts in the CLOSED state.

To simplify the state event tables, the RTX and ERTX timers, as well as the handling of request retransmissions are described in Section 6.2 and not included in the state tables.

L2CAP messages not bound to a specific data channel and thus not impacting a channel state (e.g. L2CAP_InformationReq, L2CAP_EchoReq) are not covered in this section.

The following states and transitions are illustrated in Figure 6.1.

6.1.1 CLOSED state

Event	Condition	Action	Next State
<i>OpenChannel_req</i>	-	Send L2CAP_ConnectReq	WAIT_CONNECT_RSP
L2CAP_ConnectReq	Normal, connection is possible	Send L2CAP_ConnectRsp (success)	CONFIG (substate WAIT_CONFIG)
L2CAP_ConnectReq	Need to indicate pending	Send L2CAP_ConnectRsp (pending)	WAIT_CONNECT
L2CAP_ConnectReq	No resource, not approved, etc.	Send L2CAP_ConnectRsp (refused)	CLOSED
L2CAP_ConnectRsp	-	Ignore	CLOSED
L2CAP_ConfigReq	-	Send L2CAP_CommandReject (with reason Invalid CID)	CLOSED
L2CAP_ConfigRsp	-	Ignore	CLOSED
L2CAP_DisconnectReq	-	Send L2CAP_DisconnectRsp	CLOSED
L2CAP_DisconnectRsp	-	Ignore	CLOSED
L2CAP_Data	-	Ignore	CLOSED

Table 6.1: CLOSED state event table

Notes. The L2CAP_ConnectReq message is not mentioned in any of the other states apart from the CLOSED state, as it triggers the establishment of a new channel, thus the branch into a new instance of the state machine.



6.1.2 WAIT_CONNECT_RSP state

Event	Condition	Action	Next State
L2CAP_ConnectRsp	Success indicated in result	Send L2CAP_ConfigReq	CONFIG (substate WAIT_CONFIG)
L2CAP_ConnectRsp	Result pending	-	WAIT_CONNECT_RSP
L2CAP_ConnectRsp	Remote side refuses connection	-	CLOSED
L2CAP_ConfigReq	-	Send L2CAP_CommandReject (with reason Invalid CID)	WAIT_CONNECT_RSP
L2CAP_ConfigRsp	-	Ignore	WAIT_CONNECT_RSP
L2CAP_DisconnectRsp	-	Ignore	WAIT_CONNECT_RSP
L2CAP_Data	-	Ignore	WAIT_CONNECT_RSP

Table 6.2: WAIT_CONNECT_RSP state event table

Notes. An L2CAP_DisconnectReq message is not included here, since the Source and Destination CIDs are not available yet to relate it correctly to the state machine of a specific channel.

6.1.3 WAIT_CONNECT state

Event	Condition	Action	Next State
OpenChannel_Rsp	Pending connection request is finally acceptable	Send L2CAP_Connect_Rsp (success)	CONFIG (substate WAIT_CONFIG)
OpenChannel_Rsp	Pending connection request is finally refused	Send L2CAP_Connect_Rsp (refused)	CLOSED
L2CAP_ConnectRsp	-	Ignore	WAIT_CONNECT
L2CAP_ConfigRsp	-	Ignore	WAIT_CONNECT
L2CAP_DisconnectRsp	-	Ignore	WAIT_CONNECT
L2CAP_Data	-	Ignore	WAIT_CONNECT

Table 6.3: WAIT_CONNECT state event table

Notes. An L2CAP_DisconnectReq or L2CAP_ConfigReq message is not included here, since the Source and Destination CIDs are not available yet to relate it correctly to the state machine of a specific channel.

6.1.4 CONFIG state

Two configuration processes exist as described in [Section 7.1](#). The configuration processes are the Standard process and the Lockstep process.



In the Standard and Lockstep configuration processes both L2CAP entities initiate a configuration request during the configuration process. This means that each device adopts an initiator role for the outgoing configuration request, and an acceptor role for the incoming configuration request. Configurations in both directions may occur sequentially, but can also occur in parallel.

In the Lockstep configuration process both L2CAP entities send L2CAP_CONFIGURATION_REQ packets and receive L2CAP_CONFIGURATION_RSP packets with a pending result code before submitting the flow specifications to their local Controllers. A final L2CAP_CONFIGURATION_RSP packet is sent by each L2CAP entity indicating the response from its local Controller.

The following substates are distinguished within the CONFIG state:

- WAIT_CONFIG – a device has sent or received a connection response, but has neither initiated a configuration request yet, nor received a configuration request with acceptable parameters.
- WAIT_SEND_CONFIG – for the initiator path, a configuration request has not yet been initiated, while for the response path, a request with acceptable options has been received.
- WAIT_CONFIG_REQ_RSP – for the initiator path, a request has been sent but a positive response has not yet been received, and for the acceptor path, a request with acceptable options has not yet been received.
- WAIT_CONFIG_RSP – the acceptor path is complete after having responded to acceptable options, but for the initiator path, a positive response on the recent request has not yet been received.
- WAIT_CONFIG_REQ – the initiator path is complete after having received a positive response, but for the acceptor path, a request with acceptable options has not yet been received.
- WAIT_IND_FINAL_RSP – for both the initiator and acceptor, the Extended Flow Specification has been sent to the local Controller but neither a response from Controller nor the final configuration response has yet been received.
- WAIT_FINAL_RSP – the device received an indication from the Controller accepting the Extended Flow Specification and has sent a positive response. It is waiting for the remote device to send a configuration response.
- WAIT_CONTROL_IND – the device has received a positive response and is waiting for its Controller to accept or reject the Extended Flow Specification.

According to [Section 6.1.1](#) and [Section 6.1.2](#), the CONFIG state is entered via WAIT_CONFIG substate from either the CLOSED state, the WAIT_CONNECT state, or the WAIT_CONNECT_RSP state. The CONFIG state is left for the OPEN state if both the initiator and acceptor paths complete successfully.



For better overview, separate tables are given: [Table 6.4](#) shows the success transitions; therein, transitions on one of the minimum paths (no previous non-success transitions) are shaded. [Table 6.5](#) shows the non-success transitions within the configuration process, and [Table 6.6](#) shows further transition cause by events not belonging to the configuration process itself. The following configuration states and transitions are illustrated in [Figure 6.2](#).

Previous state	Event	Condition	Action	Next State
WAIT_CONFIG	<i>ConfigureChannel_Req</i>	Standard process	Send L2CAP_ConfigReq	WAIT_CONFIG_REQ_RSP
WAIT_CONFIG	<i>ConfigureChannel_Req</i>	Lockstep process	Send L2CAP_Config Req (Ext Flow Spec plus other options)	WAIT_CONFIG_REQ_RSP
WAIT_CONFIG	L2CAP_ConfigReq	Options acceptable Standard process	Send L2CAP_ConfigRsp (success)	WAIT_SEND_CONFIG
WAIT_CONFIG	L2CAP_ConfigReq	Options acceptable Lockstep process	Send L2CAP_ConfigRsp (pending)	WAIT_SEND_CONFIG
WAIT_CONFIG_REQ_RSP	L2CAP_ConfigReq	Options acceptable	Send L2CAP_ConfigRsp (success)	WAIT_CONFIG_RSP
WAIT_CONFIG_REQ_RSP	L2CAP_ConfigRsp	Remote side accepts options	(continue waiting for configuration request)	WAIT_CONFIG_REQ
WAIT_CONFIG_REQ	L2CAP_ConfigReq	Options acceptable Standard process	Send L2CAP_ConfigRsp (success)	OPEN
WAIT_CONFIG_REQ	L2CAP_ConfigReq	Options acceptable Lockstep process	Send L2CAP_ConfigRsp (pending)	WAIT_IND_FINAL_RSP
WAIT_SEND_CONFIG	<i>ConfigureChannel_Req</i>	<i>none</i>	Send L2CAP_ConfigReq	WAIT_CONFIG_RSP

Table 6.4: CONFIG state event table



Previous state	Event	Condition	Action	Next State
WAIT_CONFIG_RSP	L2CAP_ConfigRsp	Remote side accepts options Standard process	none	OPEN
WAIT_CONFIG_RSP	L2CAP_ConfigRsp	Remote side accepts option Lockstep proc	none	WAIT_IND_FINAL_RSP
WAIT_IND_FINAL_RSP	ControllerLogical LinkInd	Reject	Send L2CAP_ConfigRsp (fail)	WAIT_CONFIG
WAIT_IND_FINAL_RSP	ControllerLogical LinkInd	Accept	Send L2CAP_ConfigRsp (success)	WAIT_FINAL_RSP
WAIT_IND_FINAL_RSP	L2CAP_ConfigRsp	Remote side fail	none	WAIT_CONFIG
WAIT_IND_FINAL_RSP	L2CAP_ConfigRsp	Remote side success	none	WAIT_CONTROL_IND
WAIT_FINAL_RSP	L2CAP_ConfigRsp	Remote side fail	none	WAIT_CONFIG
WAIT_FINAL_RSP	L2CAP_ConfigRsp	Remote side success	none	OPEN
WAIT_CONTROL_IND	ControllerLogical LinkInd	Reject	Send L2CAP_ConfigRsp (fail)	WAIT_CONFIG
WAIT_CONTROL_IND	ControllerLogical LinkInd	Accept	Send L2CAP_ConfigRsp (success)	OPEN

Table 6.4: CONFIG state event table

Previous state	Event	Condition	Action	Next State
WAIT_CONFIG	L2CAP_ConfigReq	Options not acceptable	Send L2CAP_ConfigRsp (fail)	WAIT_CONFIG
WAIT_CONFIG	L2CAP_ConfigRsp	none	Ignore	WAIT_CONFIG
WAIT_SEND_CONFIG	L2CAP_ConfigRsp	none	Ignore	WAIT_SEND_CONFIG

Table 6.5: CONFIG state/substates event table: non-success transitions within configuration process



Previous state	Event	Condition	Action	Next State
WAIT_CONFIG_REQ_RSP	L2CAP_ConfigReq	Options not acceptable	Send L2CAP_ConfigRsp (fail)	WAIT_CONFIG_REQ_RSP
WAIT_CONFIG_REQ_RSP	L2CAP_ConfigRsp	Remote side rejects options	Send L2CAP_ConfigReq (new options)	WAIT_CONFIG_REQ_RSP
WAIT_CONFIG_REQ	L2CAP_ConfigReq	Options not acceptable	Send L2CAP_ConfigRsp (fail)	WAIT_CONFIG_REQ
WAIT_CONFIG_REQ	L2CAP_ConfigRsp	none	Ignore	WAIT_CONFIG_REQ
WAIT_CONFIG_RSP	L2CAP_ConfigRsp	Remote side rejects options	Send L2CAP_ConfigReq (new options)	WAIT_CONFIG_RSP

Table 6.5: CONFIG state/substates event table: non-success transitions within configuration process

Previous state	Event	Condition	Action	Next State
CONFIG (any substate)	CloseChannel_Req	Any internal reason to stop	Send L2CAP_DisconnectReq	WAIT_DISCONNECT
CONFIG (any substate)	L2CAP_DisconnectReq	none	Send L2CAP_DisconnectRsp	CLOSED
CONFIG (any substate)	L2CAP_DisconnectRsp	none	Ignore	CONFIG (remain in substate)
CONFIG (any substate)	L2CAP_Data	none	Process the PDU	CONFIG (remain in substate)

Table 6.6: CONFIG state/substates event table: events not related to configuration process

Notes:

- Receiving data PDUs (L2CAP_Data) in CONFIG state should be relevant only in case of a transition to a reconfiguration procedure (from OPEN state). Discarding the received data is allowed only in Retransmission Mode and Enhanced Retransmission Mode. Discarding an S-frame is allowed but not recommended. If a S-frame is discarded, the monitor timer will cause a new S-frame to be sent after a time out.
- Indicating a failure in a configuration response does not necessarily imply a failure of the overall configuration procedure; instead, based on the information received in the negative response, a modified configuration request may be triggered.



6.1.5 OPEN state

Event	Condition	Action	Next State
<i>SendData_req</i>	<i>none</i>	Send L2CAP_Data packet according to configured mode	OPEN
<i>ReconfigureChannel_Req</i>	<i>none</i>	Complete outgoing SDU Send L2CAP_ConfigReq	CONFIG (substate WAIT_CONFIG_REQ_RSP)
<i>CloseChannel_Req</i>	<i>none</i>	Send L2CAP_DisconnectReq	WAIT_DISCONNECT
L2CAP_ConnectRsp	<i>none</i>	Ignore	OPEN
L2CAP_ConfigReq	Incoming config options acceptable	Complete outgoing SDU Send L2CAP_ConfigRsp (ok)	CONFIG (substate WAIT_SEND_CONFIG)
L2CAP_ConfigReq	Incoming config options not acceptable	Complete outgoing SDU Send L2CAP_ConfigRsp (fail)	OPEN
L2CAP_DisconnectReq	<i>none</i>	Send L2CAP_DisconnectRsp	CLOSED
L2CAP_DisconnectRsp	<i>none</i>	Ignore	OPEN
L2CAP_Data	<i>none</i>	Process the PDU	OPEN

Table 6.7: OPEN state event table

The outgoing SDU shall be completed from the view of the remote entity. Therefore all PDUs forming the SDU shall have been reliably transmitted by the local entity and acknowledged by the remote entity, before entering the configuration state.

6.1.6 WAIT_DISCONNECT state

Event	Condition	Action	Next State
L2CAP_ConnectRsp	<i>none</i>	Ignore	WAIT_DISCONNECT
L2CAP_ConfigReq	<i>none</i>	Send L2CAP_CommandReject with reason Invalid CID	WAIT_DISCONNECT
L2CAP_ConfigRsp	<i>none</i>	Ignore	WAIT_DISCONNECT
L2CAP_DisconnectReq	<i>none</i>	Send L2CAP_DisconnectRsp	CLOSED

Table 6.8: WAIT_DISCONNECT state event table



Event	Condition	Action	Next State
L2CAP_DisconnectRsp	<i>none</i>	<i>none</i>	CLOSED
L2CAP_Data	<i>none</i>	Ignore	WAIT_DISCONNECT

Table 6.8: WAIT_DISCONNECT state event table

6.1.7 [This section is no longer used]**6.1.8 [This section is no longer used]****6.1.9 [This section is no longer used]****6.1.10 [This section is no longer used]****6.1.11 [This section is no longer used]****6.1.12 [This section is no longer used]****6.2 TIMERS EVENTS****6.2.1 RTX**

The Response Timeout eXpired (RTX) timer is used to terminate the channel when the remote endpoint is unresponsive to signaling requests. This timer is started when a signaling request (see [Section 7](#)) is sent to the remote device. This timer is disabled when the response is received. If the initial timer expires, a duplicate Request message may be sent or the channel identified in the request may be disconnected. If a duplicate Request message is sent, the RTX timeout value shall be reset to a new value at least double the previous value. When retransmitting the Request message, the context of the same state shall be assumed as with the original transmission. If a Request message is received that is identified as a duplicate (retransmission), it shall be processed in the context of the same state which applied when the original Request message was received.

Implementations have the responsibility to decide on the maximum number of Request retransmissions performed at the L2CAP level before terminating the channel identified by the Requests. The exception is fixed channel CIDs since they can never be terminated. On the LE transport, the Peripheral's Host may disconnect the link on the expiry of the RTX timer. The decision should be based on the flush timeout of the signaling link. The longer the flush timeout, the more retransmissions may be performed at the physical layer and the reliability of the channel improves, requiring fewer retransmissions at the L2CAP level.



For example, if the flush timeout is infinite, no retransmissions should be performed at the L2CAP level. When terminating the channel, it is not necessary to send an L2CAP_DISCONNECT_REQ and enter WAIT_DISCONNECT state. Channels can be transitioned directly to the CLOSED state.

The value of this timer is implementation-dependent but the minimum initial value is 1 second and the maximum initial value is 60 seconds. One RTX timer shall exist for each outstanding signaling request, including each L2CAP_ECHO_REQ. The timer disappears on the final expiration, when the response is received, or the physical link is lost. The maximum elapsed time between the initial start of this timer and the initiation of channel termination (if no response is received) is 60 seconds.

6.2.2 ERTX

The Extended Response Timeout eXpired (ERTX) timer is used in place of the RTX timer when it is suspected the remote endpoint is performing additional processing of a request signal. This timer is started when the remote endpoint responds that a request is pending, e.g., when an L2CAP_CONNECTION_RSP event with a “connect pending” result (0x0001) is received. This timer is disabled when the formal response is received or the physical link is lost. If the initial timer expires, a duplicate Request may be sent or the channel may be disconnected.

If a duplicate Request is sent, the particular ERTX timer disappears, replaced by a new RTX timer and the whole timing procedure restarts as described previously for the RTX timer.

The value of this timer is implementation-dependent but the minimum initial value is 60 seconds and the maximum initial value is 300 seconds. Similar to RTX, there shall be at least one ERTX timer for each outstanding request that received a Pending response. There should be at most one (RTX or ERTX) associated with each outstanding request. The maximum elapsed time between the initial start of this timer and the initiation of channel termination (if no response is received) is 300 seconds. When terminating the channel, it is not necessary to send an L2CAP_DISCONNECT_REQ and enter WAIT_DISCONNECT state. Channels should be transitioned directly to the CLOSED state.

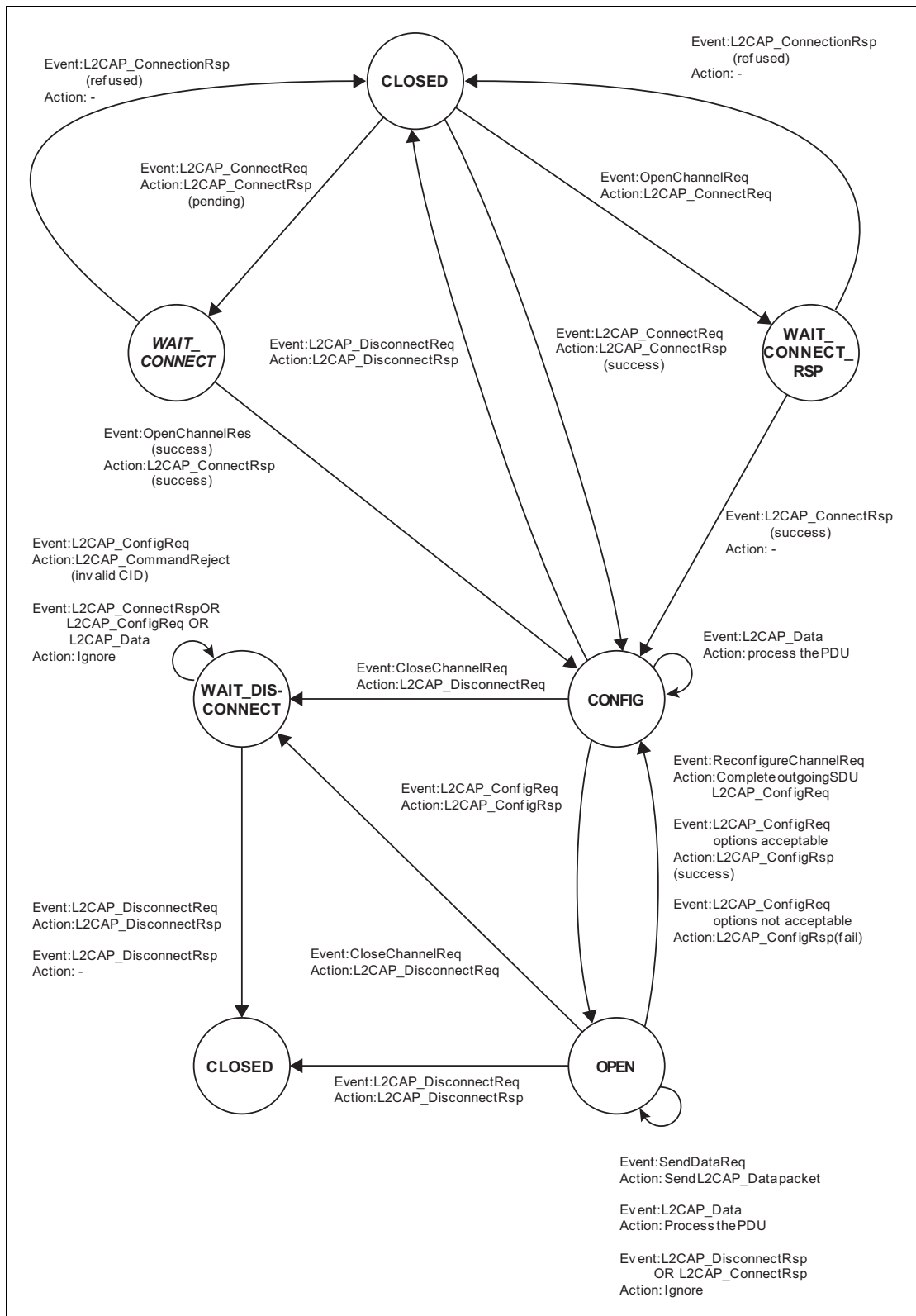


Figure 6.1: States and transitions

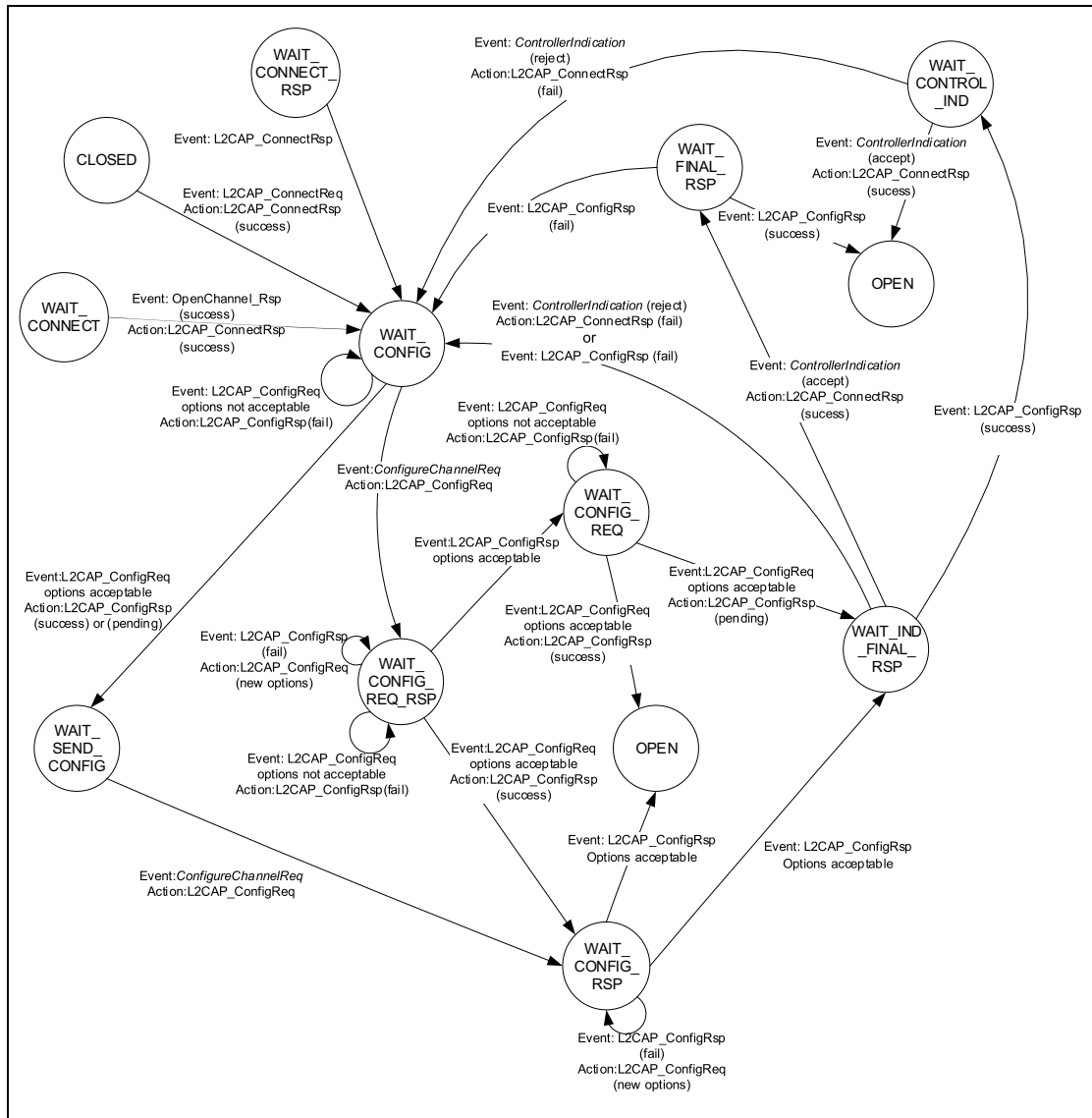


Figure 6.2: Configuration states and transitions



7 GENERAL PROCEDURES

This section describes the general operation of L2CAP, including the configuration process, the handling and the processing of user data for transportation over the air interface. This section also describes the operation of L2CAP features including the delivery of erroneous packets, the flushing of expired data and operation in connectionless mode, operation collision resolution, aggregation of best effort flow specifications, and prioritizing data over HCI.

Procedures for the flow control and retransmission modes are described in [Section 8](#).

7.1 CONFIGURATION PROCESS

Configuration consists of two processes, the Standard process and the Lockstep process. The Lockstep process shall be used if both L2CAP entities support the Extended Flow Specification option otherwise the Standard process shall be used.

For both processes, configuring the channel parameters shall be done independently for both directions. Both configurations may be done in parallel.

Each configuration parameter is one-directional. The configuration parameters describe the non default parameters the device sending an L2CAP_CONFIGURATION_REQ packet will accept. The configuration request cannot request a change in the parameters the device receiving the request will accept.

If a device needs to establish the value of a configuration parameter the remote device will accept, then it must wait for an L2CAP_CONFIGURATION_REQ packet containing that configuration parameter to be sent from the remote device.

The Lockstep process is used when the channel parameters include an Extended Flow Specification option. The Lockstep process can be divided into two phases. In the first phase, each L2CAP entity shall receive an Extended Flow Specification option along with all non-default parameters from its peer L2CAP entity and then present the pair of Extended Flow specifications (local and remote) to its local Controller. In the second phase, each L2CAP entity shall report the result from its local Controller to the peer L2CAP entity. The Lockstep process is described in [Section 7.1.3](#). The Standard process is described in [Section 7.1.4](#).

Both the Lockstep and Standard processes can be abstracted into the initial Request configuration path and a Response configuration path, followed by the reverse direction phase. Reconfiguration follows a similar two-phase process by requiring configuration in both directions.



During a reconfiguration session, all data traffic on the channel should be suspended pending the outcome of the configuration. If an L2CAP entity receives an L2CAP_CONFIGURATION_REQ packet while it is waiting for a response it shall not block sending the L2CAP_CONFIGURATION_RSP packet, otherwise the configuration process may deadlock.

7.1.1 Request Path

The Request Path can configure the following:

- requester's incoming MTU
- requester's outgoing flush timeout
- requester's outgoing QoS
- requester's incoming and outgoing flow and error control information
- requester's incoming and outgoing Frame Check Sequence option
- requester's outgoing QoS using Extended Flow Specification option
- requester's incoming Extended Window size option plus incoming and outgoing frame format.

[Table 7.1](#) defines the configuration options that may be placed in an L2CAP_CONFIGURATION_REQ packet.

Parameter	Description
MTU	Incoming MTU information
FlushTO	Outgoing flush timeout ¹
QoS	Outgoing QoS information ¹
RFCMode	Incoming and outgoing Retransmission and Flow Control Mode
FCS	Incoming and outgoing Frame Check Sequence
ExtFlowSpec	Outgoing QoS information ¹
ExtWindow	Incoming Extended Window size plus incoming and outgoing frame format

Table 7.1: Parameters allowed in request

1. FlushTO, QoS and ExtFlowSpec are considered QoS information. ExtFlowSpec is used instead of FlushTO and QoS when both devices support ExtFlowSpec.

The state machine for the configuration process is described in [Section 6](#).



7.1.2 Response Path

The Response Path can configure the following:

- responder's outgoing MTU, that is the remote side's incoming MTU
- remote side's flush timeout
- responder's incoming QoS Flow Specification (remote side's outgoing QoS Flow Specification)
- responder's incoming and outgoing Flow and Error Control information
- responder's incoming QoS Extended Flow Specification (remote side's outgoing QoS Flow Specification)
- responder's outgoing Extended Window size.

For the Standard process, if a request-oriented parameter is not present in the Request message (reverts to last agreed value), the remote side may negotiate for a non-default value by including the proposed value in a negative Response message. [Table 7.2](#) defines the configuration options that may be placed in an L2CAP_CONFIGURATION_RSP packet.

Parameter	Description
MTU	Outgoing MTU information
FlushTO	Incoming flush timeout ¹
QoS	Incoming QoS information ¹
RFMode	Incoming and outgoing Retransmission and Flow Control Mode
ExtFlowSpec	Incoming QoS information ¹
ExtWindow	Outgoing Extended Window size

Table 7.2: Parameters allowed in response

1. FlushTO, QoS and ExtFlowSpec are considered QoS information. ExtFlowSpec is used instead of FlushTO and QoS when both devices support ExtFlowSpec

7.1.3 Lockstep Configuration process

L2CAP_CONFIGURATION_REQ packets are sent to establish or change the channel parameters including the QoS contract between two L2CAP entities. An Extended Flow Specification option along with any non-default parameters shall be sent in an L2CAP_CONFIGURATION_REQ packet following the sending or receipt of a Connect Response which accepts an L2CAP Connect Request for the channel being configured. Unlike the Standard process, negotiation involving the sending of multiple L2CAP_CONFIGURATION_REQ packets shall not be performed. In other words, only one L2CAP_CONFIGURATION_REQ packet shall be sent by each L2CAP entity



during the Lockstep configuration process. The Lockstep process shall only be used during channel reconfiguration when an Extended Flow Specification option is present in the L2CAP_CONFIGURATION_REQ packet used for reconfiguration.

The Extended Flow Specification shall only be sent for channels created on the ACL-U logical link if both the local and remote L2CAP entities have indicated support for the Extended Flow Specification for BR/EDR in their Extended Features masks. The Extended Features mask shall be obtained via the L2CAP_INFORMATION_REQ/L2CAP_INFORMATION_RSP signaling mechanism (InfoType = 0x0002) prior to the issuance of the L2CAP_CONFIGURATION_REQ packet. If an L2CAP_CONFIGURATION_REQ packet is sent containing the Extended Flow Specification option then the Quality of Service option and Flush Timeout option shall not be included.

L2CAP_CONFIGURATION_RSP packets shall be sent in reply to L2CAP_CONFIGURATION_REQ packets except when the error condition is covered by an L2CAP_COMMAND_REJECT_RSP response. Although the L2CAP Configuration signaling mechanism allows for the use of wildcards, wildcard values are not supported in the Extended Flow Specification since each parameter represents a property of the traffic in one direction only, and no negotiation is intended to be performed at the L2CAP Configuration level.

The recipient of an L2CAP_CONFIGURATION_REQ packet shall perform all necessary checks with the Controller to validate that the requested QoS can be granted. In the case of a BR/EDR or BR/EDR/LE Controller the L2CAP layer performs the Controller checks. If HCI is used then the L2CAP entity should check that the requested QoS can be achieved over the HCI transport. In order to perform these checks, the recipient needs to have the QoS parameters for both directions. In order for each side to determine when to perform relevant Controller checks, each side will reply with a result "Pending" (0x0004). If no parameters are sent in the L2CAP_CONFIGURATION_RSP packet with result "Pending" then the parameters sent in the L2CAP_CONFIGURATION_REQ packet have been accepted without change. This Lockstep procedure results in both L2CAP entities performing the following:

- Receiving an L2CAP_CONFIGURATION_REQ packet containing the Extended Flow Specification option along with all non-default parameters
- Sending an L2CAP_CONFIGURATION_RSP packet with any modifications to the Extended Flow Specification option and allowed modifications to non-default parameters (result "Pending")
- Sending an L2CAP_CONFIGURATION_REQ packet containing the Extended Flow Specification option along with all non-default parameters
- Receiving an L2CAP_CONFIGURATION_RSP packet containing any modifications to the Extended Flow Specification option and allowed modifications to non-default parameters (result "Pending").



The ERTX timer is used when an L2CAP_CONFIGURATION_RSP packet is received with result “Pending” (see [Section 6.2.2](#)).

If an L2CAP_CONFIGURATION_RSP packet with result “success” is received before an L2CAP_CONFIGURATION_RSP packet with result “pending” is received the recipient shall disconnect the channel. This is a violation of the Lockstep configuration process.

If a device sends an Extended Flow Specification option in an L2CAP_CONFIGURATION_REQ packet with service type “Best Effort” and receives an L2CAP_CONFIGURATION_REQ packet with service type “Guaranteed,” the channel shall be disconnected. If a device sends an Extended Flow Specification in an L2CAP_CONFIGURATION_REQ packet with type “Guaranteed” and receives an L2CAP_CONFIGURATION_REQ packet with service type “Best Effort,” the channel shall be disconnected.

If the service type is “Best Effort” then values for certain parameters may be sent in an L2CAP_CONFIGURATION_RSP packet with result “Pending” to indicate the maximum bandwidth the sender of the L2CAP_CONFIGURATION_RSP packet is capable to receive. The values sent in an L2CAP_CONFIGURATION_RSP packet with result “Pending” and service type Best Effort shall be in accordance with [Table 7.3](#).

Parameter	Changes permitted by responder
Maximum SDU Size	May decrease only
SDU Inter-arrival Time	May increase only
Access Latency	None
Flush Timeout	None

Table 7.3: Permitted parameter in L2CAP_CONFIGURATION_RSP packets for service type “Best Effort”

After the L2CAP_CONFIGURATION_RSP packet is received with result “Pending,” L2CAP may issue the necessary checks with the Controller.

If the Controller cannot support the Extended Flow Specifications with service type “Guaranteed,” then the recipient of the L2CAP_CONFIGURATION_REQ packet shall send an L2CAP_CONFIGURATION_RSP packet indicating a result code of “Failure - flow spec rejected” (0x0005). If the Controller indicates that it can support the Extended Flow Specifications, then the recipient of the L2CAP_CONFIGURATION_REQ packet shall send an L2CAP_CONFIGURATION_RSP packet with result code of “Success” (0x0000) with no parameters.

If the Result of the L2CAP_CONFIGURATION_RSP packet is Failure (0x0005) for service type “Guaranteed” then an Extended Flow Specification option may be sent in the L2CAP_CONFIGURATION_RSP packet. The Extended Flow Specification parameters sent in the L2CAP_CONFIGURATION_RSP packet



may be changed to reflect a QoS level that would be acceptable, but shall only be changed in accordance with [Table 7.4](#).

Parameter	Changes permitted by responder
Maximum SDU Size	None
SDU Inter-arrival Time	None
Access Latency	May decrease only
Flush Timeout	May decrease only (unless set to 0xFFFFFFFF, in which case no change is permitted)

Table 7.4: Permitted parameter changes in L2CAP_CONFIGURATION_RSP packets for service type “Guaranteed”

If an L2CAP_CONFIGURATION_RSP packet is received containing the Extended Flow Specification option with the same values sent earlier, the upper layer shall be notified of the error.

7.1.4 Standard Configuration process

For the Standard process the following general procedure shall be used for each direction:

1. Local device informs the remote device of the parameters that the local device will accept using an L2CAP_CONFIGURATION_REQ packet.
2. Remote device responds, agreeing or disagreeing with these values, including the default ones, using an L2CAP_CONFIGURATION_RSP packet.
3. The local and remote devices repeat steps (1) and (2) until agreement on all parameters is reached.

The decision on the amount of time (or messages) spent configuring the channel parameters before terminating the configuration is left to the implementation, but it shall not last more than 120 seconds.

There are two types of configuration parameters: negotiable and non-negotiable.

Negotiable parameters are those that a remote side receiving an L2CAP_CONFIGURATION_REQ packet can disagree with by sending an L2CAP_CONFIGURATION_RSP packet with the *Unacceptable Parameters* (0x0001) result code, proposing new values that can be accepted. Non-negotiable parameters are only informational and the recipient of an L2CAP_CONFIGURATION_REQ packet cannot disagree with them but can provide adjustments to the values in a positive L2CAP_CONFIGURATION_RSP packet. [Section 5](#) identifies each parameter as negotiable or non-negotiable.

Note: MTU is non-negotiable but can be rejected if a value lower than the mandated minimum is proposed (See [Section 5.1](#)).



The following rules shall be used for parameter negotiation in the Request Path:

1. An L2CAP entity shall send at least one L2CAP_CONFIGURATION_REQ packet as part of initial configuration or reconfiguration. If all default or previously agreed values are acceptable, an L2CAP_CONFIGURATION_REQ packet with no options shall be sent.
2. When an L2CAP entity receives a positive L2CAP_CONFIGURATION_RSP packet from the remote device it shall consider all configuration parameters explicitly contained in the L2CAP_CONFIGURATION_REQ packet along with the default and previously agreed values not explicitly contained in the L2CAP_CONFIGURATION_REQ packet as accepted by the remote device.
3. When an L2CAP entity receives a negative L2CAP_CONFIGURATION_-RSP packet and sends a new L2CAP_CONFIGURATION_REQ packet it shall include all the options it sent in the previous L2CAP_CONFIGURATION_REQ packet with the same values except the negotiable options that were explicitly rejected in the negative L2CAP_CONFIGURATION_-RSP packet which will have new values.

Note: The resending of all the options provides backwards compatibility with remote implementations that don't assume rule 4 when responding.

4. Negotiable options not included in a negative L2CAP_CONFIGURATION_-RSP packet are considered accepted by the remote device.

Note: For backwards compatibility if non-negotiable options are included in a negative L2CAP_CONFIGURATION_-RSP packet, they should be processed as if the response was positive.

The following rules shall be used for parameter negotiation in the Response Path:

1. A positive L2CAP_CONFIGURATION_RSP packet accepts the values of all configuration parameters explicitly contained in the received L2CAP_CONFIGURATION_REQ packet and the default and previously agreed values not explicitly provided.
2. An L2CAP Entity shall send a negative L2CAP_CONFIGURATION_RSP packet to reject negotiable parameter values that are unacceptable, be it values explicitly provided in the received L2CAP_CONFIGURATION_REQ packet or previously agreed or default values. The rejected parameters sent in a negative L2CAP_CONFIGURATION_RSP packet shall have values that are acceptable to the L2CAP entity sending the negative L2CAP_CONFIGURATION_RSP packet.
3. All negotiable options being rejected shall be rejected in the same negative L2CAP_CONFIGURATION_RSP packet.
4. The only options allowed in a negative L2CAP_CONFIGURATION_RSP packet are the negotiable options being rejected. No wildcards or adjustments to non-negotiable options shall be in a negative L2CAP_CONFIGURATION_RSP packet.



- Negotiable options not included in the negative L2CAP_CONFIGURATION_RSP packet are considered accepted.

7.2 FRAGMENTATION AND RECOMBINATION

Fragmentation is the breaking down of PDUs into smaller pieces for delivery from L2CAP to the lower layer. Recombination is the process of reassembling a PDU from fragments delivered up from the lower layer. Fragmentation and Recombination may be applied to any L2CAP PDUs.

7.2.1 Fragmentation of L2CAP PDUs

An L2CAP implementation may fragment any L2CAP PDU for delivery to the lower layers, whether directly to the Controller or over HCI. All fragments associated with a specific L2CAP PDU shall be sent to the Controller, in the same order as their contents occur in the PDU, before any other fragment associated with the same logical link. Fragments associated with different logical links may be interleaved. (See [Vol 2] Part B, Section 5.3 and [Vol 6] Part B, Section 4.5.17 for related requirements on the Controller.)

For example, in the BR/EDR Controller the two LLID bits defined in the first octet of Baseband payload (also called the frame header) are used to signal the start and continuation of L2CAP PDUs. LLID shall be 0b10 for the first segment in an L2CAP PDU and 0b01 for a continuation segment. An illustration of fragmentation for a BR/EDR Controller is shown in Figure 7.1. An example of how fragmentation might be used in a device with HCI is shown in Figure 7.2.

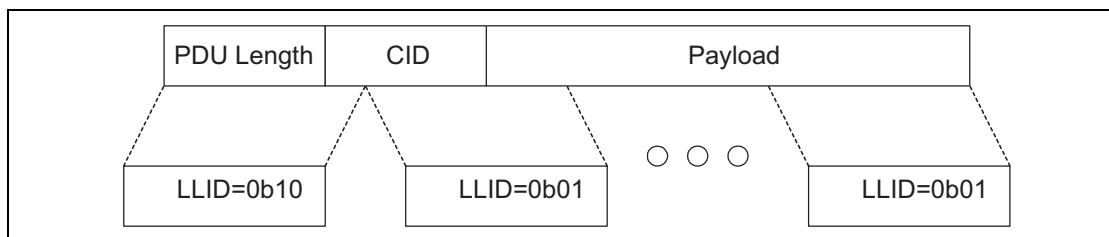


Figure 7.1: L2CAP fragmentation in a BR/EDR Controller

Note: The BR/EDR Link Controller is able to impose a different fragmentation on the PDU by using “start” and “continuation” indications as fragments are translated into Baseband packets. Thus, both L2CAP and the BR/EDR Link Controller use the same mechanism to control the size of fragments.

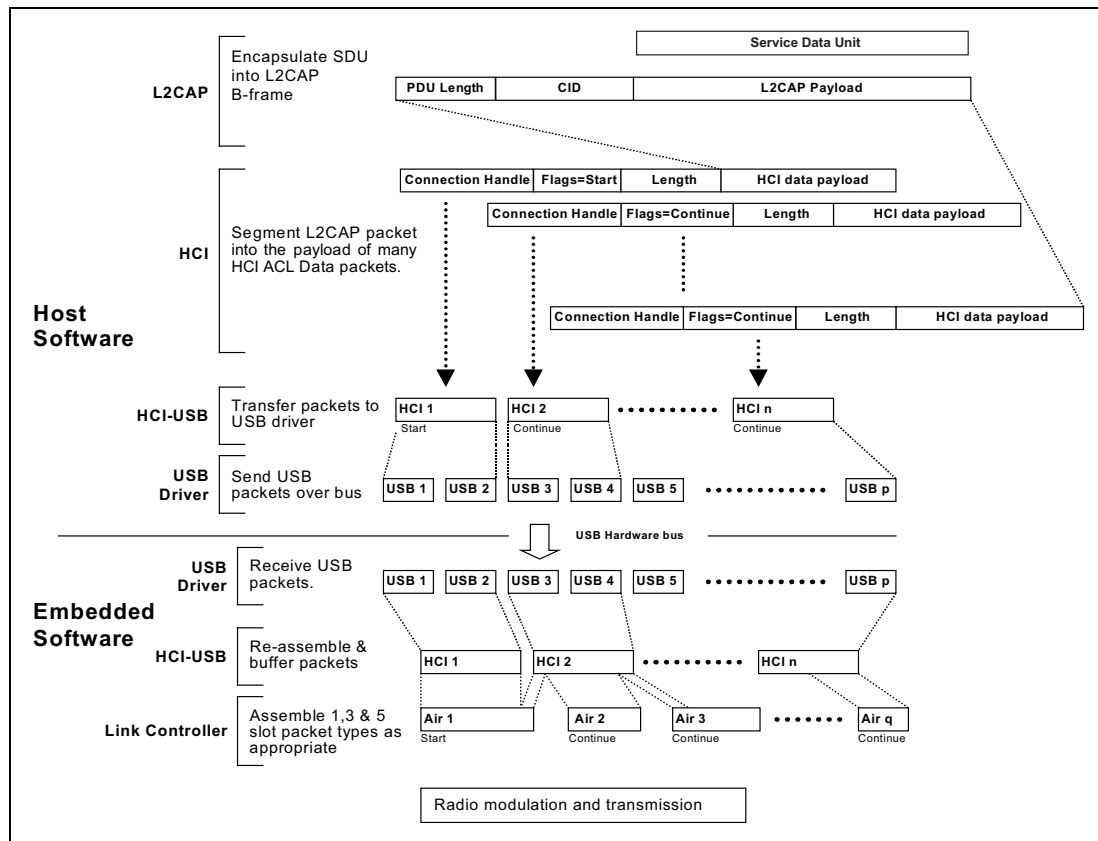


Figure 7.2: Example of fragmentation processes in a device with a BR/EDR Controller and USB HCI transport

7.2.2 Recombination of L2CAP PDUs

The Controller will provide fragments of L2CAP PDUs to the L2CAP implementation. It is the responsibility of L2CAP to reassemble PDUs and SDUs and to check the length field of the SDUs. The L2CAP layer shall reassemble the fragments it receives from the Controller into complete PDUs, which may then further be combined into SDUs. (See [Vol 2] Part B, Section 5.3 and [Vol 6] Part B, Section 4.5.17 for related requirements on the Controller.)

An L2CAP implementation shall use the PDU Length field in the header of L2CAP PDUs, see Section 3, as a consistency check and shall discard any L2CAP PDUs that fail to match the PDU Length field. If channel reliability is not needed, packets with invalid lengths may be silently discarded. For reliable channels using Basic mode, an L2CAP implementation shall indicate to the upper layer that the channel has become unreliable. Reliable channels are defined by having an infinite flush timeout value as specified in Section 5.2. For higher data integrity L2CAP should be operated in the Enhanced Retransmission Mode.

7.3 ENCAPSULATION OF SDUs

All SDUs are encapsulated into one or more L2CAP PDUs.



In Basic L2CAP mode, an SDU shall be encapsulated with a minimum of L2CAP protocol elements, resulting in a type of L2CAP PDU called a Basic Information Frame (B-frame).

Segmentation and Reassembly operations are only used in Enhanced Retransmission mode, Streaming mode, Retransmission mode, and Flow Control mode. SDUs may be segmented into a number of smaller packets called SDU segments. Each segment shall be encapsulated with L2CAP protocol elements resulting in an L2CAP PDU called an Information Frame (I-frame).

The maximum size of an SDU segment shall be given by the Maximum PDU Payload Size (MPS). The MPS parameter may be exported using an implementation specific interface to the upper layer.

The specification does not describe a service interface with the upper layer, nor does it assume any specific buffer management scheme of a Host implementation. Consequently, a reassembly buffer may be part of the upper layer entity. It is assumed that SDU boundaries are preserved between peer upper layer entities.

7.3.1 Segmentation of L2CAP SDUs

In Flow Control, Streaming, or Retransmission modes, incoming SDUs may be broken down into segments, which shall then be individually encapsulated with L2CAP protocol elements (header and checksum fields) to form I-frames. I-frames are subject to flow control and may be subject to retransmission procedures. The header carries a 2 bit SAR field that is used to identify whether the I-frame is a 'start', 'end' or 'continuation' packet or whether it carries a complete, unsegmented SDU. [Figure 7.3](#) illustrates segmentation and fragmentation.

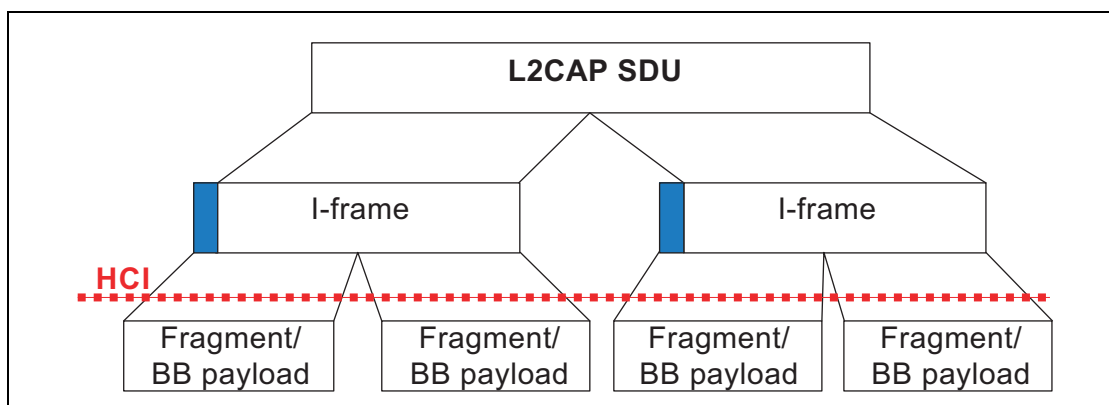


Figure 7.3: Segmentation and fragmentation of an SDU in a BR/EDR Controller



7.3.2 Reassembly of L2CAP SDUs

The receiving side uses the SAR field of incoming 'I-frames' for the reassembly process. The L2CAP SDU Length field, present in the “start of SDU” I-frame, is an extra integrity check, and together with the sequence numbers may be used to indicate lost L2CAP SDUs to the application. Figure 7.3 illustrates segmentation and fragmentation.

7.3.3 Segmentation and fragmentation

Figure 7.4 illustrates the use of segmentation and fragmentation operations to transmit a single SDU. While SDUs and L2CAP PDUs are transported in peer-to-peer fashion, the fragment size used by the Fragmentation and Recombination routines is implementation specific and may be different in the sender and the receiver. The over-the-air sequence of packet fragments as created by the sender is common to both devices.

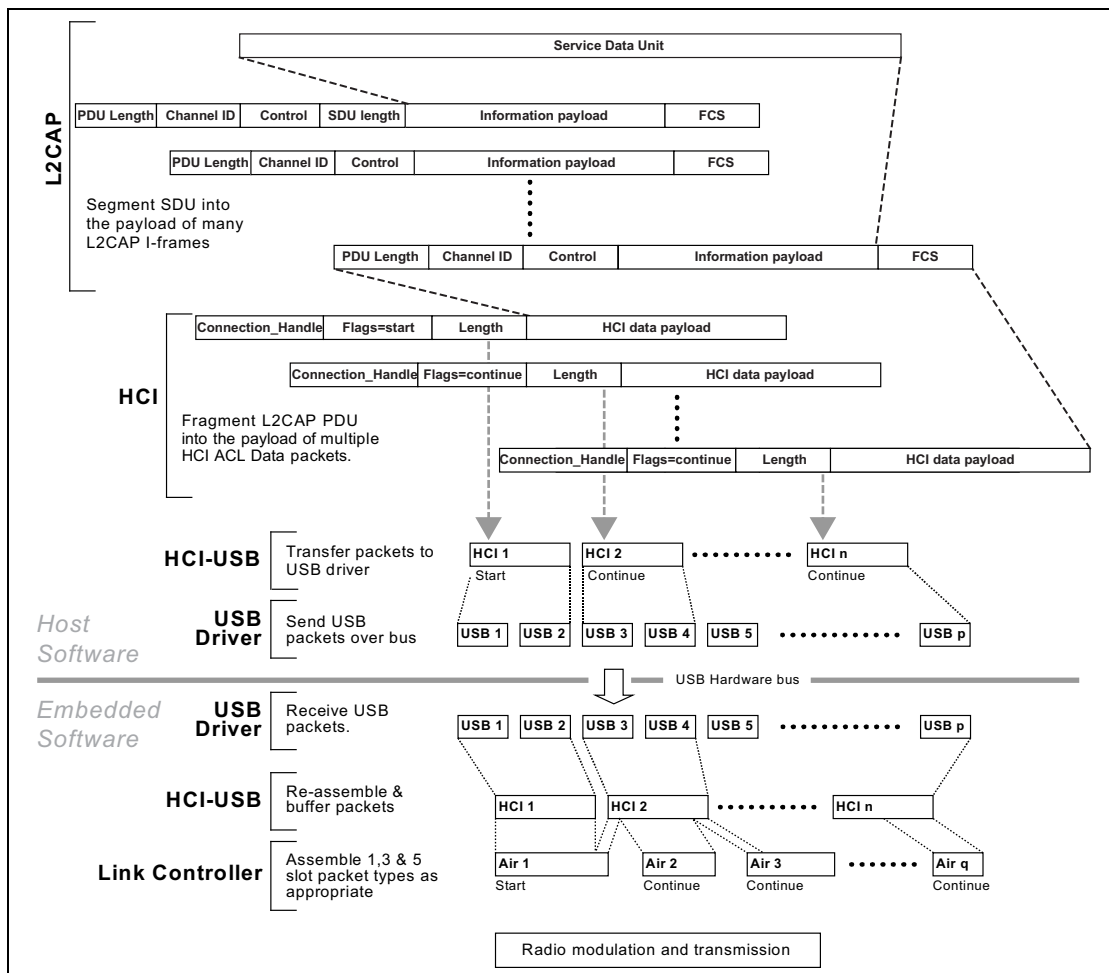


Figure 7.4: Example of segmentation and fragment processes in a device with a BR/EDR Controller and USB HCI Transport¹

1. For simplicity, the stripping of any additional HCI and USB specific information fields prior to the creation of the Baseband packets (Air_1, Air_2, etc.) is not shown in the figure.



7.4 DELIVERY OF ERRONEOUS L2CAP SDUS

Some applications may require corrupted or incomplete L2CAP SDUs to be delivered to the upper layer. If delivery of erroneous L2CAP SDUs is enabled, the receiving side will pass information to the upper layer on which parts of the L2CAP SDU (i.e., which L2CAP frames) have been lost, failed the error check, or passed the error check. If delivery of erroneous L2CAP SDUs is disabled, the receiver shall discard any L2CAP SDU segment with any missing frames or any frames failing the error checks. L2CAP SDUs whose SDU Length field (if provided) does not equal the sum of the segment payload sizes shall also be discarded.

7.5 OPERATION WITH FLUSHING ON ACL-U LOGICAL LINKS

In the L2CAP configuration using either the Flush Timeout option or the Extended Flow Specification option, the Flush timeout may be set separately per L2CAP channel, but in the BR/EDR Baseband, the flush mechanisms operate per ACL logical transport.

When there is more than one L2CAP channel mapped to the same ACL logical transport, the automatic flush timeout does not discriminate between L2CAP channels. The automatic flush timeout also applies to unicast data sent via the L2CAP connectionless channel. The exception is packets marked as non-automatically-flushable via the Packet_Boundary_Flag in the HCI ACL Data packet (see [Section 1.1](#)). The automatic flush timeout flushes a specific automatically-flushable L2CAP PDU. The HCI_Flush command flushes all outstanding L2CAP PDUs for the ACL logical transport including L2CAP PDUs marked as non-automatically-flushable. Therefore, care has to be taken when using the Automatic Flush Timeout and the HCI_Flush command. The HCI_Enhanced_Flush command should be used instead.

All packets associated with a reliable connection shall be marked as non-automatically-flushable (if it is mapped to an ACL logical transport with a finite automatic flush timeout) or L2CAP Enhanced Retransmission mode or Retransmission mode shall be used. In Enhanced Retransmission mode or Retransmission mode, loss of flushed L2CAP PDUs on the channel is detected by the L2CAP ARQ mechanism and they are retransmitted. L2CAP Enhanced Retransmission mode or Retransmission mode can be used for other purposes such as the need for a residual error rate that is much smaller than the Baseband can deliver. In this situation L2CAP Enhanced Retransmission mode or Retransmission mode and the Non-Flushable Packet Boundary Flag feature can be used at the same time.

If it is desired to send unicast data via the L2CAP connectionless channel which is not subject to automatic flushing, then the data should be marked as non-automatically flushable if it is mapped to an ACL logical transport with a finite automatic flush timeout. Unicast data sent via the L2CAP connectionless channel may be marked flushable.



There is only one automatic flush timeout setting per ACL logical transport. Therefore, all time bounded L2CAP channels on an ACL logical transport with an automatic flush timeout setting should configure the same flush timeout value at the L2CAP level. The flush timeout setting for the ACL logical transport also applies to unicast data sent via the L2CAP connectionless channel which are marked flushable.

If Automatic Flush Timeout is used, then it should be taken into account that it only flushes one L2CAP PDU. If one PDU has timed out and needs flushing, then other automatically-flushable packets on the same logical transport are also likely to need flushing. Therefore, flushing can be handled by the HCI_Enhanced_Flush command so that all outstanding automatically-flushable L2CAP PDUs are flushed.

When both reliable and isochronous data is to be sent over the same ACL logical transport, an infinite Automatic Flush Timeout can be used. In this case the isochronous data is flushed using the HCI_Enhanced_Flush command with Packet_Type set to “Automatically-Flushable Only,” thus preserving the reliable data.

7.6 CONNECTIONLESS DATA CHANNEL

In addition to connection-oriented channels, L2CAP also provides a connectionless channel. Data sent on the connectionless channel shall only be sent over the BR/EDR radio. The connectionless channel allows broadcast transmissions from the Central to all members of the piconet or unicast transmissions from either a Central or Peripheral to a single remote device. Data sent through the connectionless channel is sent in a best-effort manner. The connectionless channel provided by L2CAP has no quality of service.

While L2CAP itself does not provide retransmission for data sent via the connectionless channel, the Baseband does provide an ARQ scheme for unicast data (see [\[Vol 2\] Part B, Section 7.6](#)). If a higher degree of reliability is desired for unicast data sent via the connectionless L2CAP channel than is provided by the Baseband ARQ scheme then an ARQ scheme should be implemented at a higher layer.

No acknowledgment is provided by the Baseband for broadcast transmissions and hence broadcast transmissions sent via the connectionless L2CAP channel are unreliable and hence might or might not reach each member of the piconet.

The receiving L2CAP entity may silently discard data received via the connectionless L2CAP channel if the data packet is addressed to a PSM and no application is registered to receive data on that PSM.

L2CAP does not provide flow control for either connection-oriented L2CAP channels operating in Basic mode or for traffic on the connectionless L2CAP channel. Hence if data received by L2CAP is not accepted by the target



applications in a timely manner, congestion can occur in a receiving L2CAP implementation. For connection-oriented channels, the receiving L2CAP entity may elect to close a channel if the target application for that channel does not accept the data in a timely manner. Since this option is not available for unicast data received via the connectionless L2CAP channel, the receiving L2CAP entity may instead elect to de-register the application receiving the data or to disconnect the underlying physical link. An application shall be notified if it is de-registered. If the underlying physical link is disconnected then all applications utilizing that physical link shall be notified.

Unicast data shall only be sent via the connectionless L2CAP channel to a remote device if the remote device indicates support for Unicast Connectionless Data Reception in the L2CAP Extended Features Mask.¹ The L2CAP Extended Features Mask should be retrieved using the L2CAP_INFORMATION_REQ packet to determine if Unicast Connectionless Data Reception is supported. Optionally, support for Unicast Connectionless Data Reception can be inferred from information obtained via a SDP or EIR. For example, if a service is found via SDP or EIR that is known to mandate the support of UCD, then it may be assumed that the device indicating support for the service supports Unicast Connectionless Data Reception.

Unicast data sent via the L2CAP connectionless channel are subject to automatic flushing and hence the packet boundary flags should be set appropriately if the Controller supports the Packet Boundary Flag feature. See [Section 7.5](#) for further details. Since the receiving L2CAP entity has no mechanism to enable it to know whether received packets were originally marked as flushable or non-flushable on the transmitting device, the receiving L2CAP entity should treat all unicast packets received via the connectionless L2CAP packet as non-flushable.

If encryption is required for a given profile, then the profile or application shall ensure that authentication is performed and encryption is enabled prior to sending any unicast data on the connectionless L2CAP channel by utilizing Security Mode 4 as defined in GAP ([\[Vol 3\] Part C, Section 5.2.2](#)). There is no mechanism provided in the specification to prevent reception of unencrypted data on the connectionless L2CAP channel. An application which requires received data to be encrypted should ignore any unencrypted data it may receive over the connectionless channel.

Broadcast transmissions to the connectionless channel are sent with the broadcast LT_ADDR and hence may be received by any of the Peripherals in the piconet. If it is desirable to restrict the reception of the transmitted data to only a subset of the Peripherals in the piconet, then higher level encryption may be used to support private communication.

1. The Unicast Connectionless Data Reception bit in the L2CAP Extended Features Mask does not in any way indicate support or lack of support for reception of broadcast data on the connectionless L2CAP channel even though both broadcast data and unicast data are sent and received using the same CID (0x0002). For historical reasons, there is no bit to indicate support for sending or receiving of broadcast data on the connectionless L2CAP channel.



The Central will not receive transmissions broadcast on the connectionless channel. Therefore, higher layer protocols must loopback any broadcast data traffic being sent to the Central if required.

The connectionless data channel shall not be used with Enhanced Retransmission mode, Retransmission Mode or Flow Control Mode.

7.7 OPERATION COLLISION RESOLUTION

When two devices request the same operation by sending a request packet with the same code, a collision can occur. Some operations require collision resolution. The description of each operation in [Section 4](#) will indicate if collision resolution is required. Both devices must know which request will be rejected. The following algorithm shall be used by both devices to determine which request to reject.

1. Set $i=0$ (representing the least significant octet of the BD_ADDR).
2. Compare the octet[i] of the BD_ADDR of both devices. If the octets are not equal go to step 4.
3. Increment i by 1. Go to step 2.
4. The device with the larger BD_ADDR octet shall reject the request from the other device.

7.8 [THIS SECTION IS NO LONGER USED]

7.9 PRIORITIZING DATA OVER HCI

In order for Guaranteed channels to meet their guarantees, L2CAP should prioritize traffic over the HCI transport in devices that support HCI. Packets for Guaranteed channels should receive higher priority than packets for Best Effort channels.

7.10 SUPPORTING EXTENDED FLOW SPECIFICATION FOR BR/EDR AND BR/EDR/LE CONTROLLERS

If both the local L2CAP entity and the remote L2CAP entity indicate support for Extended Flow Specification for BR/EDR in the Extended Feature Mask then all channels created between the two devices shall send an Extended Flow Specification option and shall use the Lockstep configuration procedure. In addition all channels shall use Enhanced Retransmission mode or Streaming mode. If one or both L2CAP entities do not indicate support for Extended Flow Specification for BR/EDR in the Extended Feature Mask then the Lockstep configuration procedure shall not be used and the Extended Flow Specification option shall not be sent for channels created over the ACL-U logical link between the two devices.



The L2CAP entity shall perform admission control for Guaranteed channels during the Lockstep configuration procedure (see [Section 7.1.3](#)). Admission control is performed to determine if the requested Guaranteed QoS can be achieved by the BR/EDR or BR/EDR/LE Controller over an ACL-U logical link without compromising existing Guaranteed channels running on the Controller. If HCI is used then the L2CAP entity shall also verify that the QoS can be achieved over the HCI transport.

In performing admission control the L2CAP layer shall reject a Guaranteed QoS request that causes at least one of the following rules to be violated.

1. The total guaranteed data rate in both directions shall not exceed two times the highest Symmetric Max of an ACL-U logical link over the BR/EDR or BR/EDR/LE Controller (see [\[Vol 2\] Part B, Section 6.7](#)). For example for a Basic Rate Controller the highest Symmetric Max Rate is 433.9 kb/s (DH5) from [\[Vol 2\] Part B, Table 6.8](#). Two times that value is 867.8 kb/s.
2. The total guaranteed data rate in any one direction shall not exceed the highest Asymmetric Max Rate of an ACL-U logical link (see [\[Vol 2\] Part B, Section 6.7](#)). For example the highest Asymmetric Max Rate for Basic Rate is 723.2 kb/s (DH5 packet) from [\[Vol 2\] Part B, Table 6.8](#).

The data rate of a Guaranteed channel is calculated by dividing the Maximum SDU size in an Extended Flow Specification by the SDU Inter-arrival time. Total guaranteed data rate in both directions is calculated by taking the sum of the data rates in both directions for all existing Guaranteed channels plus the data rate in both directions of the requested Guaranteed channel (i.e. data rates from the both outgoing and incoming Extended Flow Specifications). Total guaranteed data rate for one direction is calculated by taking the sum of the data rates in one direction for all existing Guaranteed channels plus the data rate in the same direction of the requested Guaranteed channel.

An L2CAP entity should use additional information for admission control that may result in a Guaranteed QoS request being rejected even if none of the rules are violated. This allows the L2CAP entity to account for things such as CQDDR, SCO/eSCO channels, LMP traffic, page scanning, etc.

In order to meet the access latency and/or data rate required by a Guaranteed channel, the L2CAP entity should:

- a) Prioritize traffic over the HCI transport in devices that support HCI.
- b) Give conformant packets for Guaranteed channels higher priority than packets for Best Effort channels. Packets for Best Effort channels should have higher priority than non-conformant packets for Guaranteed channels. (See [Section 5.6](#) for a discussion of non-conformant and conformant traffic).
- c) Utilize the SAR feature to restrict the PDU sizes of Best Effort SDUs so that they do not prevent the Controller from sending the



SDUs of the Guaranteed channel within the time periods required by its Extended Flow Specification.

When a channel is reconfigured the Lockstep configuration process is only used when an Extended Flow Specification option is present in the L2CAP_CONFIGURATION_REQ packet as described in [Section 7.1.3](#).

7.11 ENHANCED CREDIT-BASED FLOW CONTROL RECONFIGURATION

In Enhanced Credit Based Flow Control Mode, each individual channel has its own MTU and MPS; both of these values can be reconfigured independently.

To perform reconfiguration, a device shall send an L2CAP_CREDIT_BASED_RECONFIGURE_REQ packet to the peer device with the new proposed MTU and MPS values and a set of channels to be reconfigured. The request shall not decrease the MTU of any channel and shall not decrease the MPS of a channel if more than one channel is specified.

When an L2CAP_CREDIT_BASED_RECONFIGURE_REQ packet is received and all the parameters are valid, the recipient shall complete sending all existing PDUs that require an MPS larger than the new MPS value for the channel in the L2CAP_CREDIT_BASED_RECONFIGURE_REQ packet and then send the L2CAP_CREDIT_BASED_RECONFIGURE_RSP packet, with a zero Result field, to the peer device.

After the L2CAP_CREDIT_BASED_RECONFIGURE_RSP packet is sent, the MTU and MPS values of the channels included in the L2CAP_CREDIT_BASED_RECONFIGURE_REQ packet shall be set to the MTU and MPS fields from that packet, and new SDUs shall be sent using the new MTU and MPS values.

When an L2CAP_CREDIT_BASED_RECONFIGURE_REQ packet is received with invalid parameters, the recipient shall send an L2CAP_CREDIT_BASED_RECONFIGURE_RSP PDU with a non-zero Result field and not change any MTU and MPS values.



8 PROCEDURES FOR FLOW CONTROL AND RETRANSMISSION

When Enhanced Retransmission mode, Streaming mode, Flow Control mode, or Retransmission mode is used, the procedures defined in this section shall be used, including the numbering of information frames, the handling of SDU segmentation and reassembly, and the detection and notification of frames with errors. Retransmission mode and Enhanced Retransmission mode also allow the sender to resend frames with errors on request from the receiver.

8.1 INFORMATION RETRIEVAL

Before attempting to configure Enhanced Retransmission mode, Streaming mode, Flow Control mode, or Retransmission mode on a channel, support for the suggested mode shall be verified by performing an information retrieval for the “Extended features supported” information type (0x0002). If the information retrieval is not successful or the “Extended features mask” bit is not set for the wanted mode, the mode shall not be suggested in a configuration request.

8.2 FUNCTION OF PDU TYPES FOR FLOW CONTROL AND RETRANSMISSION

Two frame formats are defined for Enhanced Retransmission mode, Streaming Mode, Flow Control Mode, and Retransmission mode (see [Section 3.3](#)). The I-frame is used to transport user information instead of the B-frame. The S-frame is used for supervision.

8.2.1 Information frame (I-frame)

I-frames are sequentially numbered frames containing information fields. I-frames also include some of the functionality of RR frames (see below).

8.2.2 Supervisory frame (S-frame)

The S-frame is used to control the transmission of I-frames. For Retransmission mode and Flow Control mode, the S-frame has two formats: Receiver Ready (RR) and Reject (REJ). A description of how S-frames are used in Enhanced Retransmission mode is given in [Section 8.6.1](#). S-frames are not used in Streaming mode. The following description of S-frames only applies to Retransmission mode and Flow Control mode.

8.2.2.1 Receiver Ready (RR)

The receiver ready (RR) S-frame is used to:

1. Acknowledge I-frames numbered up to and including ReqSeq - 1.
2. Enable or disable retransmission of I-frames by updating the receiver with the current status of the Retransmission Disable Bit.

The RR frame has no information field.



8.2.2.2 Reject (REJ)

The reject (REJ) S-frame is used to request retransmission of all I-frames starting with the I-frame with TxSeq equal to ReqSeq specified in the REJ. The value of ReqSeq in the REJ frame acknowledges I-frames numbered up to and including ReqSeq - 1. I-frames that have not been transmitted, shall be transmitted following the retransmitted I-frames.

When a REJ is transmitted, it triggers a REJ Exception condition. A second REJ frame shall not be transmitted until the REJ Exception condition is cleared. The receipt of an I-frame with a TxSeq equal to the ReqSeq of the REJ frame clears the REJ Exception. The REJ Exception condition only applies to traffic in one direction.

Note: This means that only valid I-frames can be rejected.

8.3 VARIABLES AND SEQUENCE NUMBERS

The sending peer uses the following variables and sequence numbers:

- TxSeq – the send sequence number used to sequentially number each new I-frame transmitted.
- NextTxSeq – the sequence number to be used in the next new I-frame transmitted.
- ExpectedAckSeq – the sequence number of the next I-frame expected to be acknowledged by the receiving peer.

The receiving peer uses the following variables and sequence numbers:

- ReqSeq – The sequence number sent in an acknowledgment frame to request transmission of I-frame with TxSeq = ReqSeq and acknowledge receipt of I-frames up to and including (ReqSeq-1).
- ExpectedTxSeq – the value of TxSeq expected in the next I-frame.
- BufferSeq – When segmented I-frames are buffered this is used to delay acknowledgment of received I-frame so that new I-frame transmissions do not cause buffer overflow.

All variables have the range 0 to 63. Arithmetic operations on state variables (NextTXSeq, ExpectedTxSeq, ExpectedAckSeq, BufferSeq) and sequence numbers (TxSeq, ReqSeq) contained in this document shall be taken *mod* 64.

8.3.1 Sending peer

8.3.1.1 Send sequence number TxSeq

I-frames contain TxSeq, the send sequence number of the I-frame. When an I-frame is first transmitted, TxSeq is set to the value of the send state variable NextTXSeq. TxSeq is not changed if the I-frame is retransmitted.



8.3.1.2 Send state variable NextTXSeq

The CID sent in the information frame is the destination CID and identifies the remote endpoint of the channel. A send state variable NextTxSeq shall be maintained for each remote endpoint. NextTxSeq is the sequence number of the next in-sequence I-frame to be transmitted to that remote endpoint. When the link is created NextTXSeq shall be initialized to 0.

The value of NextTxSeq shall be incremented by 1 after each in-sequence I-frame transmission, and shall not exceed ExpectedAckSeq by more than the maximum number of outstanding I-frames (TxWindow). The value of TxWindow shall be in the range 1 to 32 for Retransmission mode and Flow Control mode. The value of TxWindow shall be in the range 1 to 63 for Enhanced Retransmission mode.

8.3.1.3 Acknowledge state variable ExpectedAckSeq

The CID sent in the information frame is the destination CID and identifies the remote endpoint of the channel. An acknowledge state variable ExpectedAckSeq shall be maintained for each remote endpoint. ExpectedAckSeq is the sequence number of the next in-sequence I-frame that the remote receiving peer is expected to acknowledge. ($\text{ExpectedAckSeq} - 1$ equals the TxSeq of the last acknowledged I-frame). When the link is created ExpectedAckSeq shall be initialized to 0.

Note: If the next acknowledgment acknowledges a single I-frame then its ReqSeq will be $\text{ExpectedAckSeq} + 1$.

If a valid ReqSeq is received from the peer then ExpectedAckSeq is set to ReqSeq. A valid ReqSeq value is one that is in the range $\text{ExpectedAckSeq} \leq \text{ReqSeq} \leq \text{NextTxSeq}$.

Note: The comparison with NextTXSeq must be \leq in order to handle the situations where there are no outstanding I-frames.

These inequalities shall be interpreted in the following way: ReqSeq is valid, if and only if $(\text{ReqSeq} - \text{ExpectedAckSeq}) \bmod 64 \leq (\text{NextTXSeq} - \text{ExpectedAckSeq}) \bmod 64$. Furthermore, from the description of NextTXSeq, it can be seen that $(\text{NextTXSeq} - \text{ExpectedAckSeq}) \bmod 64 \leq \text{TxWindow}$.

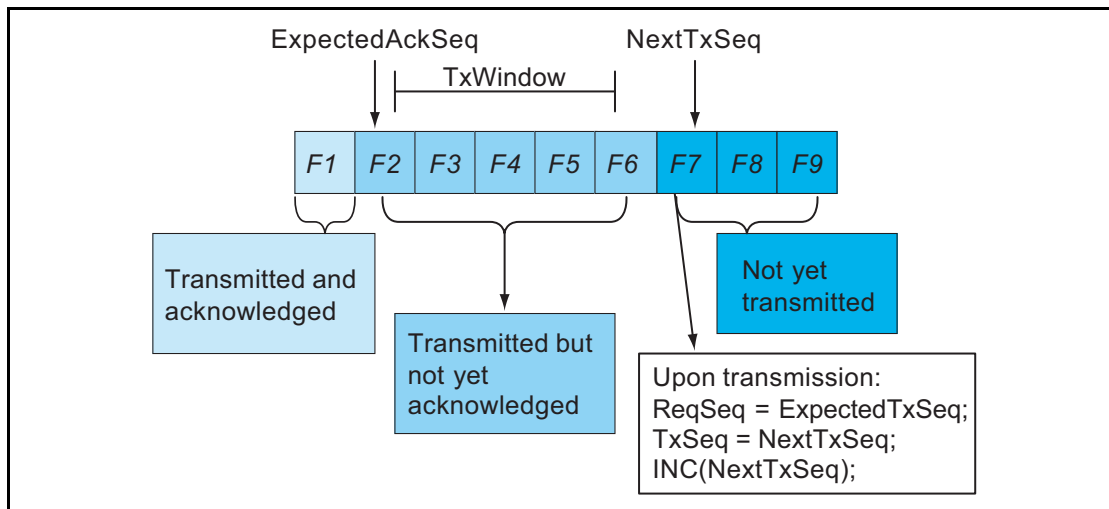


Figure 8.1: Example of the transmitter side

Figure 8.1 shows TxWindow=5, and three frames awaiting transmission. The frame with number F7 may be transmitted when the frame with F2 is acknowledged. When the frame with F7 is transmitted, TxSeq is set to the value of NextTxSeq. After TxSeq has been set, NextTxSeq is incremented.

The sending peer expects to receive valid ReqSeq values, which are in the range ExpectedAckSeq to NextTxSeq. Upon receipt of a ReqSeq value equal to the current NextTxSeq all outstanding I-frames have been acknowledged by the receiver.

8.3.2 Receiving peer

8.3.2.1 Receive sequence number ReqSeq

All I-frames and S-frames contain ReqSeq, the send sequence number (TxSeq) that the receiving peer requests in the next I-frame.

When an I-frame or an S-frame is transmitted, the value of ReqSeq shall be set to the current value of the receive state variable ExpectedTxSeq or the buffer state variable BufferSeq. The value of ReqSeq shall indicate that the data Link Layer entity transmitting the ReqSeq has correctly received all I-frames numbered up to and including ReqSeq – 1.

Note: The option to set ReqSeq to BufferSeq instead of ExpectedTxSeq allows the receiver to impose flow control for buffer management or other purposes. In this situation, if BufferSeq<>ExpectedTxSeq, the receiver should also set the retransmission disable bit to 1 to prevent unnecessary retransmissions.



8.3.2.2 Receive state variable *ExpectedTxSeq*

Each channel shall have a receive state variable (*ExpectedTxSeq*). The receive state variable is the sequence number (*TxSeq*) of the next in-sequence I-frame expected.

The value of the receive state variable shall be the last in-sequence, valid I-frame received.

8.3.2.3 Buffer state variable *BufferSeq*

Each channel may have an associated *BufferSeq*. *BufferSeq* is used to delay acknowledgment of frames until they have been pulled by the upper layers, thus preventing buffer overflow. *BufferSeq* and *ExpectedTxSeq* are equal when there is no extra segmentation performed and frames are pushed to the upper layer immediately on reception. When buffer space is scarce, for example when frames reside in the buffer for a period, the receiver may choose to set *ReqSeq* to *BufferSeq* instead of *ExpectedTxSeq*, incrementing *BufferSeq* as buffer space is released. The windowing mechanism will ensure that transmission is halted when $ExpectedTxSeq - BufferSeq$ is equal to *TxWindow*.

Note: Owing to the variable size of I-frames, updates of *BufferSeq* may be based on changes in available buffer space instead of delivery of I-frame contents.

I-frames shall have sequence numbers in the range $ExpectedTxSeq \leq TxSeq < (BufferSeq + TxWindow)$.

On receipt of an I-frame with *TxSeq* equal to *ExpectedTxSeq*, *ExpectedTxSeq* shall be incremented by 1 regardless of how many I-frames with *TxSeq* greater than *ExpectedTxSeq* were previously received.

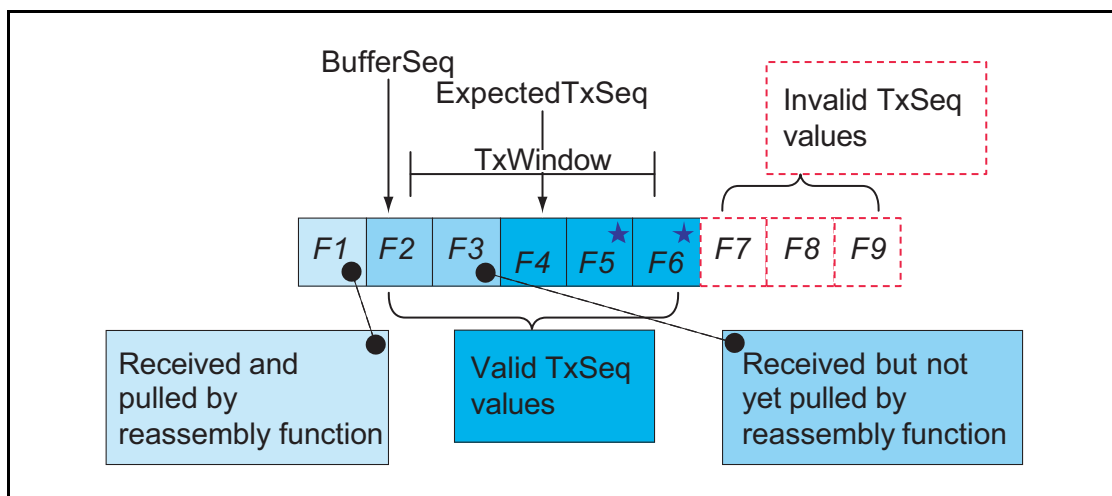


Figure 8.2: Example of the receiver side



Figure 8.2 shows TxWindow=5. *F1* is successfully received and pulled by the upper layer. BufferSeq shows that *F2* is the next I-frame to be pulled, and ExpectedTxSeq points to the next I-frame expected from the peer. An I-frame with TxSeq equal to 5 has been received thus triggering an SREJ or REJ exception. The star indicates I-frames received but discarded owing to the SREJ or REJ exception. They will be resent as part of the error recovery procedure.

In Figure 8.2 there are several I-frames in a buffer awaiting the SDU reassembly function to pull them and the TxWindow is full. The receiver would usually disable retransmission in Retransmission mode or Flow Control mode by setting the Retransmission Disable Bit to 1 and send an RR back to the sending side. This tells the transmitting peer that there is no point in performing retransmissions. Both sides will send S-frames to make sure the peer entity knows the current value of the Retransmission Disable Bit.

8.4 RETRANSMISSION MODE

8.4.1 Transmitting frames

A new I-frame shall only be transmitted when the TxWindow is not full. No I-frames shall be transmitted if the last RetransmissionDisableBit (R) received is set to one.

A previously transmitted I-frame may be retransmitted as a result of an error recovery procedure, even if the TxWindow is full. When an I-frame is retransmitted it shall always be sent with the same TxSeq value used in its initial transmission.

The state of the RetransmissionDisableBit (R) is stored and used along with the state of the RetransmissionTimer to decide the actions when transmitting I-frames. The RetransmissionTimer is running whenever I-frames have been sent but not acknowledged.

8.4.1.1 Last received R was set to zero

If the last R received was set to zero, then I-frames may be transmitted. If there are any I-frames which have been sent and not acknowledged then they shall be retransmitted when the RetransmissionTimer elapses. If the retransmission timer has not elapsed then a retransmission shall not be sent and only new I-frames may be sent.

- a) If unacknowledged I-frames have been sent and the RetransmissionTimer has elapsed then an unacknowledged I-frame shall be retransmitted. The RetransmissionTimer shall be restarted.



- b) If unacknowledged I-frames have been sent, the Retransmission timer has not elapsed then a new I-frame shall be sent if one is waiting and no timer action shall be taken.
- c) If no unacknowledged I-frames have been sent, and a new I-frame is waiting, then the new I-frame shall be sent, the RetransmissionTimer shall be started and if the Monitor Timer is running, it shall be stopped.
- d) If no unacknowledged I-frames have been sent and no new I-frames are waiting to be transmitted, and the RetransmissionTimer is running, then the retransmission timer shall be stopped and the monitor timer shall be started.

Table 8.1 summarizes actions when the RetransmissionTimer is in use and R=0.

Unacknowledged I-frames sent = Retransmission Timer is running	Retransmission Timer has elapsed	New I-frames are waiting	Transmit Action	Timer Action
True	True	True or False	Retransmit unacknowledged I-frame	Restart Retransmission Timer
True	False	True	Transmit new I-frame	No timer action
True	False	False	No transmit action	No Timer action
False	False	True	Transmit new I-frame	Restart Retransmission Timer
False	False	False	No Transmit action	If MonitorTimer is not running then restart MonitorTimer

Table 8.1: Summary of actions when the RetransmissionTimer is in use and R=0

If the RetransmissionTimer is not in use, no unacknowledged I-frames have been sent and no new I-frames are waiting to be transmitted

- a) If the MonitorTimer is running and has not elapsed then no transmit action shall be taken and no timer action shall be taken.
- b) If the MonitorTimer has elapsed then an S-frame shall be sent and the MonitorTimer shall be restarted.

If any I-frames become available for transmission then the MonitorTimer shall be stopped, the RetransmissionTimer shall be started and the rules for when the RetransmissionTimer is in use shall be applied.



When an I-frame is sent ReqSeq shall be set to ExpectedTxSeq, TxSeq shall be set to NextTxSeq and NextTxSeq shall be incremented by one.

8.4.1.2 Last received R was set to one

If the last R received was set to one, then I-frames shall not be transmitted. The only frames which may be sent are S-frames. An S-frame shall be sent according to the rules below:

- a) If the MonitorTimer is running and has not elapsed then no transmit action shall be taken and no timer action shall be taken.
- b) If the MonitorTimer has elapsed then an S-frame shall be sent and the MonitorTimer shall be restarted.

8.4.2 Receiving I-frames

Upon receipt of a valid I-frame with TxSeq equal to ExpectedTxSeq, the frame shall be accepted for the SDU reassembly function. ExpectedTxSeq is used by the reassembly function.

The first valid I-frame received after an REJ was sent, with a TxSeq of the received I-frame equal to ReqSeq of the REJ, shall clear the REJ Exception condition.

The ReqSeq shall be processed according to [Section 8.4.6](#).

If a valid I-frame with TxSeq \neq ExpectedTxSeq is received then an exception condition shall be triggered which is handled according to [Section 8.4.7](#).

8.4.3 I-frames pulled by the SDU reassembly function

When the L2CAP layer has removed one or more I-frames from the buffer, BufferSeq may be incremented in accordance with the amount of buffer space released. If BufferSeq is incremented, an acknowledgment shall be sent to the peer entity.

Note: Since the primary purpose of BufferSeq is to prevent buffer overflow, an implementation may choose to set BufferSeq in accordance with how many new incoming I-frames could be stored rather than how many have been removed.

The acknowledgment may either be an RR or an I-frame. The acknowledgment shall be sent to the peer L2CAP entity with ReqSeq equal to BufferSeq. When there are no I-frames buffered for pulling ExpectedTxSeq is equal to BufferSeq.

If the MonitorTimer is active then it shall be restarted to indicate that a signal has been sent to the peer L2CAP entity.



8.4.4 Sending and receiving acknowledgments

Either the MonitorTimer or the RetransmissionTimer shall be active while in Retransmission Mode. Both timers shall not be active concurrently.

8.4.4.1 Sending acknowledgments

Whenever an L2CAP entity transmits an I-frame or an S-frame, ReqSeq shall be set to ExpectedTxSeq or BufferSeq.

8.4.4.2 Receiving acknowledgments

On receipt of a valid S-frame or I-frame, the ReqSeq contained in the frame shall acknowledge previously transmitted I-frames. ReqSeq acknowledges I-frames with a TxSeq up to and including ReqSeq – 1.

The following rules shall be applied:

1. If the RetransmissionDisableBit changed value from 0 to 1 (stop retransmissions) then the receiving entity shall
 - a) If the RetransmissionTimer is running then stop it and start the MonitorTimer.
 - b) Store the state of the RetransmissionDisableBit received.
2. If the RetransmissionDisableBit changed value from 1 to 0 (start retransmissions) then the receiving entity shall
 - a) Store the state of the RetransmissionDisableBit received.
 - b) If there are any I-frames that have been sent but not acknowledged, then stop the MonitorTimer and start the RetransmissionTimer.
 - c) Any buffered I-frames shall be transmitted according to [Section 8.4.1](#).
3. If any unacknowledged I-frames were acknowledged by the ReqSeq contained in the frame, and the RetransmissionDisableBit equals 1 (retransmissions stopped), then the receiving entity shall
 - a) Follow the rules in [Section 8.4.1](#).
4. If any unacknowledged I-frames were acknowledged by the ReqSeq contained in the frame and the RetransmissionDisableBit equals 0 (retransmissions started) then the receiving entity shall
 - a) If the RetransmissionTimer is running, then stop it.
 - b) If any unacknowledged I-frames have been sent then the RetransmissionTimer shall be restarted.
 - c) Follow the rules in [Section 8.4.1](#).
 - d) If the RetransmissionTimer is not running and the MonitorTimer is not running, then start the MonitorTimer.



On receipt of a valid S-frame or I-frame the ReqSeq contained in the frame shall acknowledge previously transmitted I-frames. ExpectedAckSeq shall be set to ReqSeq to indicate that the I-frames with TxSeq up to and including (ReqSeq - 1) have been acknowledged.

8.4.5 Receiving REJ frames

Upon receipt of a valid REJ frame, where ReqSeq identifies an I-frame not yet acknowledged, the ReqSeq acknowledges I-frames with TxSeq up to and including ReqSeq - 1. Therefore the REJ acknowledges all I-frames before the I-frame it is rejecting.

ExpectedAckSeq shall be set equal to ReqSeq to mark I-frames up to and including ReqSeq - 1 as received.

NextTXSeq shall be set to ReqSeq to cause transmissions of I-frames to resume from the point where TxSeq equals ReqSeq.

If ReqSeq equals ExpectedAckSeq then the REJ frame shall be ignored.

8.4.6 Waiting acknowledgments

A counter, TransmitCounter, counts the number of times an L2CAP PDU has been transmitted. This shall be set to 1 after the first transmission. If the RetransmissionTimer expires the following actions shall be taken:

1. If the TransmitCounter is less than MaxTransmit then:
 - a) Increment the TransmitCounter.
 - b) Retransmit the last unacknowledged I-frame, according to [Section 8.4.1](#).
2. If the TransmitCounter is equal to MaxTransmit this channel to the peer entity shall be assumed lost. The channel shall move to the CLOSED state and appropriate action shall be taken to report this to the upper layers.

8.4.7 Exception conditions

Exception conditions may occur as the result of physical layer errors or L2CAP procedural errors. The error recovery procedures which are available following the detection of an exception condition at the L2CAP layer in Retransmission Mode are defined in this section.

8.4.7.1 TxSeq sequence error

A TxSeq sequence error exception condition occurs in the receiver when a valid I-frame is received which contains a TxSeq value which is not equal to the expected value, thus TxSeq is not equal to ExpectedTxSeq.



The TxSeq sequence error may be due to three different causes:

- *Duplicated I-frame*

The duplicated I-frame is identified by a TxSeq in the range BufferSeq to ExpectedTxSeq – 1 ($\text{BufferSeq} \leq \text{TxSeq} < \text{ExpectedTxSeq}$). The ReqSeq and RetransmissionDisableBit shall be processed according to [Section 8.4.4](#). The Information field shall be discarded since it has already been received.

- *Out-of-sequence I-frame*

The out-of-sequence I-frame is identified by a TxSeq within the valid range. The ReqSeq and RetransmissionDisableBit shall be processed according to [Section 8.4.4](#).

A REJ exception is triggered, and an REJ frame with ReqSeq equal to ExpectedTxSeq shall be sent to initiate recovery. The received I-frame shall be discarded.

- *Invalid TxSeq*

An invalid TxSeq value is a value that does not meet either of the above conditions. An I-frame with an invalid TxSeq is likely to have errors in the control field and shall be silently discarded.

8.4.7.2 ReqSeq sequence error

An ReqSeq sequence error exception condition occurs in the transmitter when a valid S-frame or I-frame is received which contains an invalid ReqSeq value. An invalid ReqSeq is one that is not in the range $\text{ExpectedAckSeq} \leq \text{ReqSeq} \leq \text{NextTxSeq}$.

The L2CAP entity shall close the channel as a consequence of an ReqSeq Sequence error.

8.4.7.3 Timer recovery error

If an L2CAP entity fails to receive an acknowledgment for the last I-frame sent, then it will not detect an out-of-sequence exception condition and therefore will not transmit an REJ frame.

The L2CAP entity that transmitted an unacknowledged I-frame shall, on the expiry of the RetransmissionTimer, take appropriate recovery action as defined in [Section 8.4.6](#).

8.4.7.4 Invalid frame

Any frame received which is invalid (as defined in [Section 3.3.6](#)) shall be discarded, and no action shall be taken as a result of that frame.

8.5 FLOW CONTROL MODE

When a link is configured to work in flow control mode, the flow control operation is similar to the procedures in retransmission mode, but all operations dealing with CRC errors in received packets are not used. Therefore

- REJ frames shall not be used in Flow Control Mode.
- The RetransmissionDisableBit shall always be set to zero in the transmitter, and shall be ignored in the receiver.

The behavior of flow control mode is specified in this section.

Assuming that the TxWindow size is equal to the buffer space available in the receiver (counted in number of I-frames), in flow control mode the number of unacknowledged frames in the transmitter window is always less than or equal to the number of frames for which space is available in the receiver.

Note: A missing frame still occupies a place in the window.

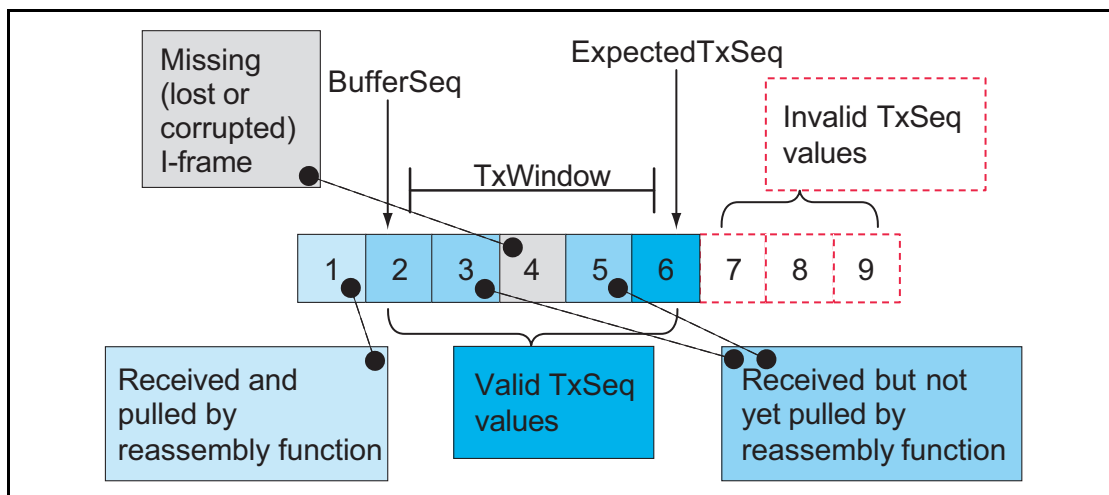


Figure 8.3: Overview of the receiver side when operating in Flow Control mode

8.5.1 Transmitting I-frames

A new I-frame shall only be transmitted when the TxWindow is not full.

Upon transmission of the I-frame the following actions shall be performed:

- If no unacknowledged I-frames have been sent then the MonitorTimer shall be stopped and the RetransmissionTimer shall be started.
- If any I-frames have been sent and not acknowledged then the RetransmissionTimer remains active and no timer operation is performed.

The control field parameter ReqSeq shall be set to ExpectedTxSeq, TxSeq shall be set to NextTXSeq and NextTXSeq shall be incremented by one.



8.5.2 Receiving I-frames

Upon receipt of a valid I-frame with TxSeq equal to ExpectedTxSeq, the frame shall be made available to the reassembly function. ExpectedTxSeq shall be incremented by one. An acknowledgment shall not be sent until the SDU reassembly function has pulled the I-frame.

Upon receipt of a valid I-frame with an out-of-sequence TxSeq (see [Section 8.5.6](#)) all frames with a sequence number less than TxSeq shall be assumed lost and marked as missing. The missing I-frames are in the range from ExpectedTxSeq (the frame that the device was expecting to receive) up to TxSeq-1, (the frame that the device actually received). ExpectedTxSeq shall be set to TxSeq +1. The received I-frame shall be made available for pulling by the reassembly function. The acknowledgment shall not occur until the SDU reassembly function has pulled the I-frame. The ReqSeq shall be processed according to [Section 8.5.4](#).

8.5.3 I-frames pulled by the SDU reassembly function

When the L2CAP layer has removed one or more I-frames from the buffer, BufferSeq may be incremented in accordance with the amount of buffer space released. If BufferSeq is incremented, an acknowledgment shall be sent to the peer entity. If the MonitorTimer is active then it shall be restarted to indicate that a signal has been sent to the peer L2CAP entity.

Note: Since the primary purpose of BufferSeq is to prevent buffer overflow, an implementation may choose to set BufferSeq in accordance with how many new incoming I-frames could be stored rather than how many have been removed.

The acknowledgment may be an RR or an I-frame. The acknowledgment shall be sent to the peer L2CAP entity with ReqSeq equal to BufferSeq. When there is no I-frame buffered for pulling, ExpectedTxSeq is equal to BufferSeq.

8.5.4 Sending and receiving acknowledgments

One of the timers MonitorTimer or RetransmissionTimer shall always be active while in Flow Control mode. Both timers shall never be active concurrently.

8.5.4.1 Sending acknowledgments

Whenever a data Link Layer entity transmits an I-frame or a S-frame, ReqSeq shall be set to ExpectedTxSeq or BufferSeq.



8.5.4.2 Receiving acknowledgments

On receipt of a valid S-frame or I-frame the ReqSeq contained in the frame shall be used to acknowledge previously transmitted I-frames. ReqSeq acknowledges I-frames with a TxSeq up to and including ReqSeq – 1.

1. If any outstanding I-frames were acknowledged then
 - a) Stop the RetransmissionTimer
 - b) If there are still unacknowledged I-frames then restart the RetransmissionTimer, otherwise start the MonitorTimer.
 - c) Transmit any I-frames awaiting transmission according to [Section 8.5.1](#).

ExpectedAckSeq shall be set to ReqSeq to indicate that the I-frames with TxSeq up to and including ExpectedAckSeq have been acknowledged.

8.5.5 Waiting acknowledgments

If the RetransmissionTimer expires the following actions shall be taken: The I-frame supervised by the RetransmissionTimer shall be considered lost, and ExpectedAckSeq shall be incremented by one.

1. If I-frames are waiting to be sent
 - a) the RetransmissionTimer is restarted.
 - b) I-frames awaiting transmission are transmitted according to [Section 8.5.1](#).
2. If there are no I-frames waiting to be sent
 - a) If there are still unacknowledged I-frames the RetransmissionTimer is restarted, otherwise the MonitorTimer is started.

8.5.6 Exception conditions

Exception conditions may occur as the result of physical layer errors or L2CAP procedural errors. The error recovery procedures which are available following the detection of an exception condition at the L2CAP layer in flow control only mode are defined in this section.

8.5.6.1 TxSeq sequence error

A TxSeq sequence error exception condition occurs in the receiver when a valid I-frame is received which contains a TxSeq value which is not equal to the expected value, thus TxSeq is not equal to ExpectedTxSeq.



The TxSeq sequence error may be due to three different causes:

- *Duplicated I-frame*

The duplicated I-frame is identified by a TxSeq in the range BufferSeq to ExpectedTxSeq – 1. The ReqSeq shall be processed according to [Section 8.5.4](#). The Information field shall be discarded since it has already been received.

- *Out-of-sequence I-frame*

The out-of-sequence I-frame is identified by a TxSeq such that $\text{ExpectedTxSeq} < \text{TxSeq} < (\text{BufferSeq} + \text{TxWindow})$. The ReqSeq shall be processed according to [Section 8.5.4](#).

The missing I-frame(s) are considered lost and ExpectedTXSeq is set equal to TxSeq+1 as specified in [Section 8.5.2](#). The missing I-frame(s) are reported as lost to the SDU reassembly function.

- *Invalid TxSeq*

An invalid TxSeq value is a value that does not meet either of the above conditions and TxSeq is not equal to ExpectedTxSeq. An I-frame with an invalid TxSeq is likely to have errors in the control field and shall be silently discarded.

8.5.6.2 ReqSeq sequence error

An ReqSeq sequence error exception condition occurs in the transmitter when a valid S-frame or I-frame is received which contains an invalid ReqSeq value. An invalid ReqSeq is one that is not in the range $\text{ExpectedAckSeq} \leq \text{ReqSeq} \leq \text{NextTXSeq}$.

The L2CAP entity shall close the channel as a consequence of an ReqSeq Sequence error.

An L2CAP entity that fails to receive an acknowledgment for an I-frame shall, on the expiry of the RetransmissionTimer, take appropriate recovery action as defined in [Section 8.5.5](#).

8.5.6.3 Invalid frame

Any frame received that is invalid (as defined in [Section 3.3.6](#)) shall be discarded, and no action shall be taken as a result of that frame, unless the receiving L2CAP entity is configured to deliver erroneous frames to the layer above L2CAP. In that case, the data contained in invalid frames may also be added to the receive buffer and made available for pulling from the SDU reassembly function.

8.6 ENHANCED RETRANSMISSION MODE

Enhanced Retransmission mode operates as an HDLC balanced data link operational mode. Either L2CAP entity may send frames at any time without



receiving explicit permission from the other L2CAP entity. A transmission may contain single or multiple frames and shall be used for I-frame transfer and/or to indicate status change.

8.6.1 Function of PDU types

Enhanced Retransmission mode uses I-frames to transfer upper layer information and S-frames for supervision. There are four S-frames defined: Receiver Ready (RR), Reject (REJ), Receiver Not Ready (RNR), and Selective Reject (SREJ). All frames formats in Enhanced Retransmission mode shall use the Enhanced Control Field.

8.6.1.1 Receiver Ready (RR)

The RR frame shall be used by an L2CAP entity to

1. Indicate that it is ready to receive I-frames
2. Acknowledge previously received I-frames numbered up to and including ReqSeq - 1.

An RR with P-bit set to 1 ($P=1$) is used to indicate the clearance of any busy condition that was initiated by an earlier transmission of an RNR frame by the same L2CAP entity.

8.6.1.2 Reject (REJ)

The REJ frame shall be used by an L2CAP entity to request retransmission of I-frames starting with the frame numbered ReqSeq. I-frames numbered ReqSeq - 1 and below shall be considered acknowledged. Additional I-frames awaiting initial transmission may be transmitted following the retransmitted I-frame(s) up to the TxWindow size of the receiver.

At most only one REJ exception from a given L2CAP entity to another L2CAP entity shall be established at any given time. A REJ frame shall not be transmitted until an earlier REJ exception condition or all earlier SREJ exception conditions have been cleared. The REJ exception condition shall be cleared upon the receipt of an I-frame with TxSeq equal to the ReqSeq of the REJ frame.

Two L2CAP entities may be in REJ exception conditions with each other at the same time.

8.6.1.3 Receiver Not Ready (RNR)

The RNR frame shall be used by an L2CAP entity to indicate a busy condition (i.e. temporary inability to receive I-frames). I-frames numbered up to and including ReqSeq - 1 shall be considered acknowledged. The I-frame numbered ReqSeq and any subsequent I-frames sent shall not be considered



acknowledged. The acceptance status of these I-frames shall be indicated in subsequent transfers.

8.6.1.4 Selective Reject (SREJ)

The SREJ frame shall be used by an L2CAP entity to request retransmission of one I-frame. The ReqSeq shall indicate the TxSeq of the earliest I-frame to be retransmitted (not yet reported by a SREJ). If the P-bit is set to 1 then I-frames numbered up to and including ReqSeq - 1 shall be considered acknowledged. If the P-bit is set to 0 then the ReqSeq field in the SREJ shall not indicate acknowledgment of I-frames.

Each SREJ exception condition shall be cleared upon receipt of an I-frame with TxSeq equal to the ReqSeq sent in the SREJ frame.

An L2CAP entity may transmit one or more SREJ frames with the P=0 before one or more earlier SREJ exception conditions initiated with SREJ(P=0) have been cleared. An L2CAP entity shall not transmit more than one SREJ with P=1 before all earlier SREJ exception conditions have been cleared. A SREJ frame shall not be transmitted if an earlier REJ exception condition has not been cleared. Likewise a REJ frame shall not be transmitted if one or more SREJ exception conditions have not been cleared. Only one I-frame shall be retransmitted in response to receiving a SREJ frame with P=0. Additional I-frames awaiting initial transmission may be transmitted following the retransmission of the specific I-frame requested by SREJ with P=1.

8.6.1.5 Functions of the Poll (P) and Final (F) bits

P-bit set to 1 shall be used to solicit a response frame with the F-bit set to 1 from the remote L2CAP entity at the earliest respond opportunity. At most only one frame with a P=1 shall be outstanding in a given direction at a given time. Before an L2CAP entity issues another frame with P=1, it shall have received a response frame from the remote L2CAP entity with F=1. If no valid frame is received with F=1 within Monitor timeout period, the frame with P=1 may be retransmitted.

The Final bit shall be used to indicate the frame as a response to a soliciting poll (S-frame with P=1). The frame with F=1 shall not be retransmitted. The Monitor-timeout is not used to monitor lost frames with F=1. Additional frames with F=0 may be transmitted following the frame with F=1.

S-frames shall not be transmitted with both the F-bit and the P-bit set to 1 at the same time.

8.6.2 Rules for timers

Timers are started upon transmission of a packet. Timers should be started when the corresponding packet leaves the Controller (transmitted or flushed). If the timer is not started when the packet leaves the Controller then it shall be



started when the packet is delivered to the Controller. The specific rules for BR/EDR and BR/EDR/LE Controllers are described in the following sections.

8.6.2.1 Timer rules for ACL-U logical links

If a flush timeout does not exist on the ACL-U logical link for the channel using Enhanced Retransmission mode then the value for the Retransmission timeout shall be at least two seconds and the value for the Monitor timeout shall be at least 12 seconds.

If a flush timeout exists on the link for Enhanced Retransmission mode then the value for the Retransmission timeout shall be three times the value of flush timeout, subject to a minimum of 1 second and maximum of 2 seconds.

If a flush timeout exists on the link for Enhanced Retransmission mode and both sides of the link are configured to the same flush timeout value then the monitor timeout shall be set to a value at least as large as the Retransmission timeout otherwise the value of the Monitor timeout shall be six times the value of flush timeout, subject to a minimum of the retransmission timeout value and a maximum of 12 seconds.

If an L2CAP entity knows that a specific packet has been flushed instead of transmitted then it may execute proper error recovery procedures immediately.

When configuring a channel over an ACL-U logical link the values sent in an L2CAP_CONFIGURATION_REQ packet for Retransmission timeout and Monitor timeout shall be 0.

Note: If the link has a flush timeout and the Non-Flushable Packet Boundary Flag feature is used to mark the Enhanced Retransmission mode packets as non-flushable then the link does not have a flush timeout with regards to Enhanced Retransmission mode.

8.6.2.2 [This section is no longer used]

8.6.2.3 [This section is no longer used]

8.6.3 General rules for the state machine

Enhanced Retransmission mode is specified using a pair of state machines, a Transmitter state machine and a Receiver state machine. The following rules apply to the state machine pair.

1. The state machine pair specifies the behavior of the protocol. Designers and implementers may choose any design / implementation technique they wish, but it shall behave in a manner identical to the external behavior of the specified state machines.
2. There is a single state machine pair for each active L2CAP channel configured to use Enhanced Retransmission mode.



3. Variables are used to limit the number of states by maintaining the state of particular conditions. The variables are defined in [Section 8.6.5.2](#).
4. For some combinations of event and condition, the state tables provide an action that involves alternatives or alternative groups of actions. The alternatives are mutually exclusive; selection of an alternate is done based upon (i) local status, (ii) a layer management action, or (iii) an implementation decision. There is no relationship between the order of the alternatives between events, nor is it implied that the same alternative must be selected every time the event occurs.
5. The state tables use timers. Any Start Timer action restarts the specified timer from its initial value, even if the timer is already running. When the timer reaches 0 the appropriate timer expired event is set and the timer stops. The Stop Timer action stops a timer if it is running.
6. Events not recognized in a particular state are assumed to remain pending until any masking flag is modified or a transition is made to a state where they can be recognized.
7. Some state transitions and actions are triggered by internal events (e.g. requests from the upper layer). It is implementation specific how these internal events are realized. They are used for clarity in specifying the state machine. All events including Internal events are described in [Section 8.6.5.3](#).
8. The state machines specify the exact frames to be sent by transmitters but are relaxed on what receivers are allowed to accept as valid. For example there are cases where the transmitter is required to send a frame with $P=1$. The correct response is a frame with $F=1$ but in some cases the receiver is allowed to accept a frame with $F=0$ in addition to $F=1$.

8.6.4 State diagram

The state diagram in [Figure 8.4](#) shows the states and the main transitions. Not all events are shown on the state diagram.

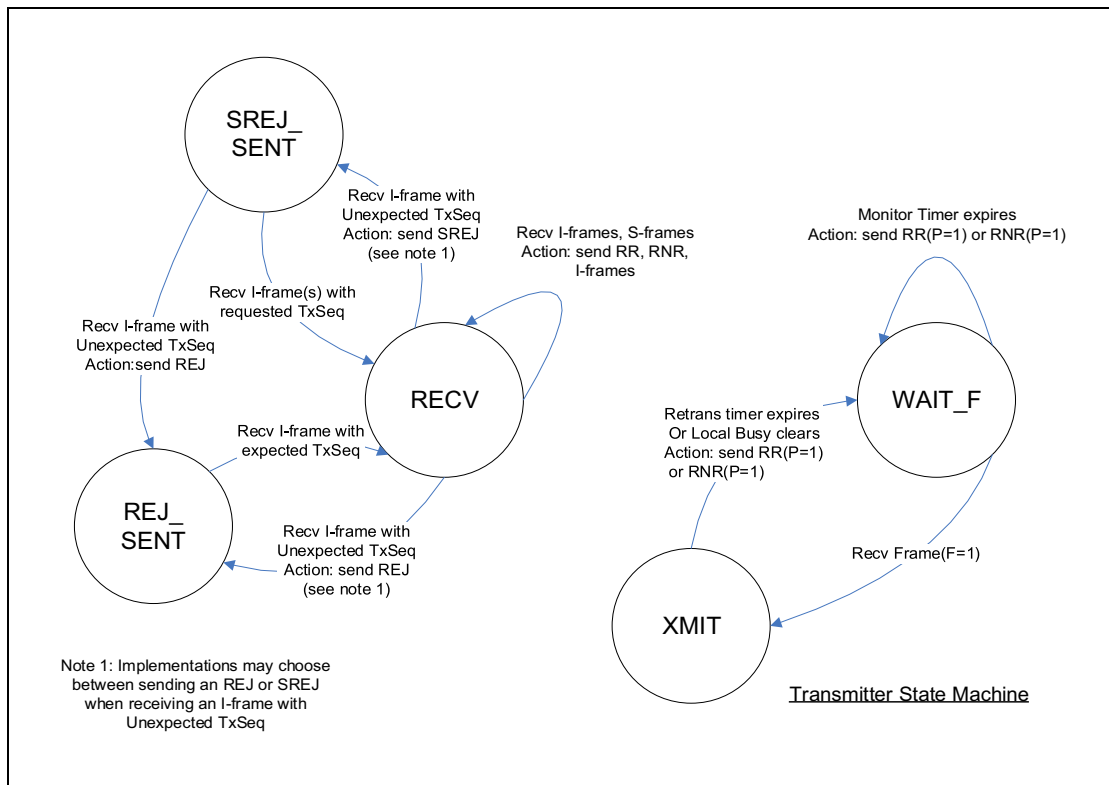


Figure 8.4: Receiver state machine

8.6.5 States tables

8.6.5.1 State machines

Enhanced Retransmission mode is described as a pair of state machine. The Receiver state machine handles all received frames while the Transmitter State machine handles all asynchronous events including requests from the upper layer and the expiration of timers.

The Receiver state machine “calls” the Transmitter state machine using the PassToTx action. This shows up in the Transmitter state machine as an event. When the Transmitter state machine is called it runs to completion before returning to the Receiver state machine. Running to completion means that all actions are executed and the Transmitter state is changed to the new state.

The Receiver and Transmitter state machine share variables and timers.

8.6.5.2 States

The following states have been defined to specify the protocol; the actual number of states and naming in a given implementation is outside the scope of the specification:

RECV—This is the main state of the Receiver state machine.



REJ_SENT—The L2CAP entity has sent a REJ frame to cause the remote L2CAP entity to resend I-frame(s). The L2CAP entity is waiting for the I-frame with a TxSeq that matches the ReqSeq sent in the REJ. Whether to send a REJ versus a SREJ is implementation dependent.

SREJ_SENT—The L2CAP entity has sent one or more SREJ frames to cause the remote L2CAP entity to resend missing I-frame(s). The local L2CAP entity is waiting for all requested I-frames to be received. If additional missing I-frames are detected while in SREJ_SENT then additional SREJ frames or a REJ frame can be sent to request those I-frames. Whether to send a SREJ versus a REJ is implementation dependent.

XMIT—This is the main state of the Transmitter state machine.

WAIT_F—Local busy has been cleared or the Retransmission timer has expired and an S-frame with P=1 has been sent. The local L2CAP entity is waiting for a frame with F=1. New I-frames cannot be sent while in the WAIT_F state to prevent the situation where retransmission of I-frames could result in the channel being disconnected.

8.6.5.3 Variables and timers

Variables are used to limit the number of states and help clarify the state chart tables. Variables can be set to values, evaluated in conditions and compared in conditional statements. They are also used in the action descriptions. Below is a list of the operators, connectives and statements that can be used with variables.

Operator, connective or statement	Description
:=	Assignment operator. Used to set a variable to a value
=	Relational operator "equal"
>	Relational operator "greater than"
<	Relational operator "less than"
≥	Relational operator "greater than or equal"
≤	Relational operator "less than or equal"
+	Arithmetic operator "plus"
and	logical connective "and." It returns TRUE if both operands are TRUE otherwise it returns FALSE.
or	logical connective "or." It returns TRUE if either of its operands are TRUE otherwise it returns FALSE.

Table 8.2: Operators, connectives, and statements used with variables



Operator, connective or statement	Description
<code>if (expression) then { statement }</code>	Conditional Statement. If expression is TRUE then the statement is executed otherwise the statement is not executed. The statement is composed of one or more actions. All the actions in the statement are indented under the <code>if ... then</code> clause and contained within braces “{}”.
<code>if (expression) then { statement1 } else { statement2 }</code>	Conditional Statement. If expression is TRUE then statement1 is executed otherwise statement2 is executed. A statement is composed of one or more actions. All the actions in the statement1 are indented under the <code>if ... then</code> clause and contained within braces “{}”. All the actions of statement2 are indented under the <code>else</code> clause and contained within braces “{}”.

Table 8.2: Operators, connectives, and statements used with variables

Enhanced Retransmission mode uses the following variables and sequence numbers described in [Section 8.3](#):

- TxSeq
- NextTxSeq
- ExpectedAckSeq
- ReqSeq
- ExpectedTxSeq
- BufferSeq

In addition to the variables above the following variables and timers are used:

RemoteBusy—when set to TRUE RemoteBusy indicates that the local L2CAP entity has received an RNR from the remote L2CAP entity and considers the remote L2CAP entity as busy. When the remote device is busy it will likely discard I-frames sent to it. The RemoteBusy flag is set to FALSE when the local L2CAP Entity receives an RR, REJ or SREJ. When set to FALSE the local L2CAP entity considers the remote L2CAP entity able to accept I-frames. When the channel is created RemoteBusy shall be set to FALSE.

LocalBusy—when set to TRUE, LocalBusy indicates the local L2CAP entity is busy and will discard received I-frames. When set to FALSE the local L2CAP entity is not busy and is able to receive I-frames. When the channel is created LocalBusy shall be set to FALSE.

UnackedFrames—holds the number of unacknowledged I-frames. When the channel is created UnackedFrames shall be set to 0.

UnackedList—holds the unacknowledged I-frames so they can be retransmitted if necessary. I-frames in the list are accessed via their TxSeq number. For example UnackedList[5] accesses the I-frame with TxSeq 5.



PendingFrames—holds the number of pending I-frames. I-frames passed to L2CAP from the upper layer may be unable to be sent immediately because the remote L2CAP entity's TxWindow is full, is in a busy condition or the local L2CAP is in the incorrect state. When I-frames cannot be sent they are stored in a queue until conditions allow them to be sent. When the channel is created PendingFrames shall be set to 0.

SrejList—is a list of TxSeq values for I-frames that are missing and need to be retransmitted using SREJ. A SREJ has already been sent for each TxSeq on the list. When SrejList is empty it equals 0 (i.e. SrejList = 0). If SrejList is not empty it is greater than 0 (i.e. SrejList > 0).

RetryCount—holds the number of times an S-frame operation is retried. If an operation is tried MaxTransmit times without success the channel shall be closed.

RetryIframes[]—holds a retry counter for each I-frame that is sent within the receiving device's TxWindow. Each time an I-frame is retransmitted the corresponding counter within RetryIframes is incremented. When an attempt to retransmit the I-frame is made and the counter is equal to MaxTransmit then the channel shall be closed.

RNRsent—when set to TRUE it means that the local L2CAP entity has sent an RNR frame. It is used to determine if the L2CAP entity needs to send an RR to the remote L2CAP entity to clear the busy condition. When the channel is created RNRsent shall be set to FALSE.

RejActioned—is used to prohibit a frame with F=1 from causing I-frames already retransmitted in response to a REJ from being retransmitted again. RejActioned is set to TRUE if a received REJ is actioned when a frame sent with P=1 is unanswered. When the channel is created RejActioned shall be set to FALSE.

SrejActioned—is used in conjunction with SrejSaveReqSeq to prohibit a frame with F=1 from causing an I-frame already retransmitted in response to a SREJ from being retransmitted again. SrejActioned is set to TRUE if a received SREJ is actioned when a frame sent with P=1 is unanswered. When the channel is created SrejActioned shall be set to FALSE.

SrejSaveReqSeq—is used to save the ReqSeq of a SREJ frame that causes SrejActioned to be set to TRUE.

SendRej—when set to TRUE it indicates that the local L2CAP entity has determined that a REJ should be sent in the SREJ_SENT state while processing received I-frames. The sending of new SREJ frames is stopped. When the channel is created SendRej shall be set to FALSE.

BufferSeqSrej—is used while in the SREJ_SENT state to keep track of the value to which BufferSeq will be set upon exit of the SREJ_SENT state.



FramesSent—is used to keep track of the number I-frames sent by the Send-Data and Retransmit-I-frames actions.

MaxTxWin—contains the maximum window size plus 1. It is used in TxWindow *mod* operations as the divisor and in state table conditions. This value shall be set to 16384 (0x4000) if the Extended Window Size option is used; otherwise it shall be set to 64.

RetransTimer—The Retransmission Timer is used to detect lost I-frames. When the channel is created the RetransTimer shall be off.

MonitorTimer—The Monitor Timer is used to detect lost S-frames. When the channel is created the MonitorTimer shall be off.

8.6.5.4 Events

Data-Request—The upper layer has requested that an SDU be sent. The SDU may need to be broken into multiple I-frames by L2CAP based on the MPS of the remote device and/or the maximum PDU allowed by the HCI or QoS requirements of the system.

Local-Busy-Detected—A local busy condition occurs when the local L2CAP entity is temporarily unable to receive, or unable to continue to receive, I-frames due to internal constraints. For example, the upper layer has not pulled received I-frames and the local L2CAP entity needs to send an acknowledgment to the remote L2CAP entity. The method for handling the detection of local busy is implementation specific. An implementation may wait to send an RNR to see if the busy condition will clear before the remote L2CAP entity's Retransmission timer expires. If the busy condition clears then frames can be acknowledged with an RR or I-frame. If the busy condition does not clear before the remote L2CAP entity's Retransmission timer expires then an RNR shall be sent in response to the RR or RNR poll sent by the remote L2CAP entity. Optionally an implementation may send an RNR as soon as the local busy condition is detected.

Local-Busy-Clear—The local busy condition clears when L2CAP has buffer space to receive more I-frames (i.e. SDU Reassembly function and/or upper layer has pulled I-frames) and if necessary the upper layer has cleared the busy condition.

Recv ReqSeqAndFbit—This is an event generated by the Receiver state machine. It contains the ReqSeq and F-bit value of a received frame. The value of the F-bit can be checked in a condition.

Recv Fbit—This is an event generated by the Receiver state machine. It contains the F-bit value of a received frame. The value of the F-bit can be checked in a condition.

RetransTimer-Expires—The Retransmission Timer has counted to down to 0 and stopped.



MonitorTimer-Expires—The Monitor Timer has counted down to 0 and stopped.

Recv I-frame—Receive an I-frame with any value for the F-bit.

Recv RR, REJ, RNR, SREJ (P=x) or (F=x)—Receive a specific S-frame (RR, REJ, etc.) with a specific value for the P and/or F bit. The F-bit and the P-bit shall not both be set to 1 in a transmitted S-frame so received S-frames with both P and F set to 1 should be ignored. If the P and/or F bit value is not specified in the event then either value is accepted.

Recv RRorRNR—Receive an RR or RNR with any value for the P-bit and F-bit.

Recv REJorSREJ—Receive an REJ or SREJ with any value for the P-bit and F-bit.

Recv frame—This is catch-all for all frames that are not explicitly declared as events in the state table.

8.6.5.5 Conditions

RemoteBusy = TRUE or FALSE—TRUE indicates the remote L2CAP entity is in a busy condition and FALSE indicates the remote L2CAP entity is not busy.

LocalBusy = TRUE or FALSE—TRUE indicates the local L2CAP entity is in a busy condition and FALSE indicates the local L2CAP entity is not busy.

RemWindow-Not-Full—The number of unacknowledged I-frames sent by L2CAP has not yet reached the TxWindow size of the remote L2CAP entity.

RemWindow-Full—The number of unacknowledged I-frames sent by the L2CAP entity has reached the TxWindow size of the remote L2CAP entity. No more I-frames shall be sent until one or more I-frames have been acknowledged.

RNRsent = TRUE or FALSE—TRUE indicates an RNR has been sent while a local busy condition exists. It is set to FALSE when the local busy condition clears.

F = 0 or 1—the F-bit of a received frame is checked. The F-bit of the received frame is available as part of the Recv ReqSeqAndFbit and Recv Fbit events.

RetryIframes[i] < or ≥ MaxTransmit—Compare the appropriate counter in RetryIframes after processing the ReqSeq in the receive frame to determine if it has reached MaxTransmit or not.

RetryCount < or ≥ MaxTransmit—Compare RetryCount to determine if it has reached MaxTransmit or not.



With-Expected-TxSeq—The TxSeq of a received I-frame is equal to ExpectedTxSeq.

With-Valid-ReqSeq—The ReqSeq of the received frame is in the range $\text{ExpectedAckSeq} \leq \text{ReqSeq} < \text{NextTxSeq}$.

With-Valid-ReqSeq-Retrans—The ReqSeq of the received frame is in the range $\text{ExpectedAckSeq} \leq \text{ReqSeq} < \text{NextTxSeq}$.

With-Valid-F-bit —The F-bit of a received frame is valid if it is 0 or if it is 1 and a frame sent with P=1 by the local L2CAP entity is unanswered (i.e. the local L2CAP entity send a frame with P=1 and has not yet received a frame with F=1 until receiving this one). If the Transmitter state machine is in the WAIT_F state then a frame sent with P=1 is unanswered.

With-unexpected-TxSeq—The TxSeq of the received I-frame is within the TxWindow of the L2CAP entity receiving the I-frame but has a TxSeq “greater” than ExpectedTxSeq where “greater” means later in sequence than ExpectedTxSeq.

With-duplicate-TxSeq—The TxSeq of the received I-frame is within the TxWindow of the L2CAP entity receiving the I-frame but has a TxSeq “less” than ExpectedTxSeq where “less” means earlier in the sequence than ExpectedTxSeq. In other words this is a frame that has already been received.

With-Invalid-TxSeq—The TxSeq of the received I-frame is not within the TxWindow of the L2CAP entity receiving the frame.

With-Invalid-ReqSeq—The ReqSeq of the received frame is not in the range $\text{ExpectedAckSeq} \leq \text{ReqSeq} < \text{NextTxSeq}$.

With-Invalid-ReqSeq-Retrans—The ReqSeq of the received frame is not in the range $\text{ExpectedAckSeq} \leq \text{ReqSeq} < \text{NextTxSeq}$.

Not-With-Expected-TxSeq—The TxSeq of the received I-frame is within the TxWindow of the L2CAP entity receiving the frame but is not equal to ExpectedTxSeq. It is either unexpected or a duplicate.

With-Expected-TxSeq-Srej—The TxSeq of the received I-frame is equal to the TxSeq at the head of SrejList.

SendRej = TRUE or FALSE—**TRUE** indicates that a REJ will be sent after all frames requested using SREJ have been received.

SrejList = or > 1—Determine if the number of items in SrejList is equal to or greater than 1.

With-Unexpected-TxSeq-Srej—The TxSeq of the received I-frame is equal to one of the values stored in SrejList but is not the TxSeq at the head. This indicates that one or more I-frames requested using SREJ are missing either



because the SREJ was lost or the requested I-frame(s) were lost. Either way the SREJ frames must be resent to retrieve the missing I-frames.

With-duplicate-TxSeq-Srej—The TxSeq of the received I-frame is equal to a TxSeq of one of the saved I-frames indicating it is a duplicate.

8.6.5.6 Actions

Send-Data—This action is executed as a result of a Data-Request event. The number of I-frames sent without being acknowledged shall not exceed the TxWindow size of the receiving L2CAP entity (UnackedFrames is less than or equal to the remote L2CAP entity's TxWindow). Any I-frames that cannot be sent because they would exceed the TxWindow size are queued for later transmission. For each I-frame the following actions shall be carried out:

```

Send I-frame with TxSeq set to NextTxSeq and ReqSeq set
to BufferSeq.
UnackedList[NextTxSeq] := I-frame
UnackedFrames := UnackedFrames + 1
FramesSent := FramesSent + 1
RetryIframes[NextTxSeq] := 1
NextTxSeq := (NextTxSeq + 1) mod MaxTxWin
Start-RetransTimer

```

Pend-Data—This action is executed as a result of a Data-Request when it is not possible to send I-frames because the window is full, the remote L2CAP entity is in a busy condition or the local L2CAP entity is not in a state where I-frames can be sent (e.g. WAIT_F). The I-frame(s) are queued for later transmission.

Process-ReqSeq—the ReqSeq contained in the received frame shall acknowledge previously transmitted I-frames. ExpectedAckSeq shall be set to ReqSeq to indicate that the I-frames with TxSeq up to and including (ReqSeq—1) have been acknowledged. The acknowledged I-frames shall be removed from UnackedList, the retry counters for each acknowledged frame shall be set to 0 and the number of acknowledged frames shall be subtracted from UnackedFrames so that UnackedFrames shall contain the number of the remaining unacknowledged I-frames. Pending I-frames are now available to be transmitted by the Send-Ack action. If UnackedFrames equals 0 then Stop-RetransTimer.

Send RR, RNR (P=x) or (F=x)—Send the specified S-frame with the specified value for the P-bit or F-bit. If a value for the P-bit or F-bit is not specified the value shall be 0. For example Send RR(P=1) means send an RR with the P-bit set to 1 and the F-bit set to 0. The ReqSeq field shall be set to BufferSeq. If an RNR is sent, RNRsent shall be set to TRUE.



Send REJ (P =x) or (F=x)—Send a REJ with the specified value for the P-bit or F-bit. The ReqSeq field shall be set to ExpectedTxSeq. If a value for the P-bit or F-bit is not specified the value shall be 0, which acknowledges previously received I-frames up to ExpectedTxSeq—1 and may allow the remote L2CAP entity to transmit new I-frames. If the local L2CAP entity is not in a position to acknowledge the previously received I-frames it may use SREJ(P=0) or RNR. It may also wait to send the REJ until it is able to acknowledge the I-frames.

Send RRorRNR (P=x) or (F=1)—Send an RR or RNR with the specified value for the P-bit or F-bit based on the value of LocalBusy. If a value for the P-bit or F-bit is not specified the value shall be 0. An RNR shall be sent if LocalBusy equals TRUE. If LocalBusy equals FALSE then an RR shall be sent.

Send IorRRorRNR(F=1)—Send I-frames, an RR or an RNR with the F-bit set to 1. The following algorithm shall be used:

```

FramesSent:=0
if LocalBusy = TRUE then {
    Send RNR(F=1)
}
if RemoteBusy = TRUE and UnackedFrames > 0 then {
    Start-RetransTimer
}
RemoteBusy := FALSE
Send-Pending-I-frames
if LocalBusy = FALSE and FramesSent = 0 then {
    Send RR(F=1)
}

```

The SendIorRRorRNR(F=1) sends frames by invoking other actions. During the execution of SendIorRRorRNR multiple actions may be invoked. The first action invoked shall send the first or only frame with the F-bit set to 1. All other frames sent shall have the F-bit set to 0.

Send SREJ—Send one or more SREJ frames with P=0. For each missing I-frame starting with ExpectedTxSeq up to but not including the TxSeq of the received I-frame, an SREJ frame is sent with ReqSeq set to the TxSeq of the missing frame. The TxSeq is inserted into the tail of SrejList. For example if ExpectedTxSeq is 3 and the received I-frame has a TxSeq of 5 there are two missing I-frames. An SREJ with ReqSeq 3 is sent followed by an SREJ with ReqSeq 4. TxSeq 3 is inserted first into SrejList followed by TxSeq 4. After all SREJ frames have been sent ExpectedTxSeq shall be set to (the TxSeq of the received I-frame + 1) *mod* MaxTxWin.

Send SREJ(SrejList)—Send one or more SREJ frames with P=0. An I-frame was received that matches one of the TxSeq values in the SrejList but does not



match the head of SrejList. This means I-frames requested via SREJ are still missing. For each TxSeq value starting with the head of SrejList and going backwards (i.e., from the head towards the tail) through the SrejList up to but not including the TxSeq of the received frame, an SREJ frame is sent with ReqSeq set to the TxSeq from SrejList. The TxSeq is removed from SrejList and reinserted into the tail of SrejList. Finally, remove the TxSeq of the received frame from the head of the list.

Send SREJ(SrejList-tail)(F=1)—Send a SREJ frame with F=1 and ReqSeq equal to the TxSeq at the tail of SrejList.

Start-RetransTimer—If the Monitor timer is not running then start the Retransmission Timer from its initial value (see Retransmission timeout in [Section 5.4](#)). If the Retransmission timer is already running it is restarted from its initial value. If the Monitor timer is running then the Retransmission timer is not started.

Start-MonitorTimer—Start the Monitor Timer from its initial value (see Monitor timeout in [Section 5.4](#)). If the timer is already running it is restarted from its initial value.

PassToTx—Pass the ReqSeq and F-bit value of a received frame to the Transmitter state machine. This will show up as a Recv ReqSeqAndFbit event in the Transmitter state machine.

PassToTxFbit—Pass the F-bit value of a received frame to the Transmitter state machine. This will show up as a Recv Fbit event in the Transmitter state machine.

Data-Indication—A received I-frame is passed to the SDU reassembly function. For the purpose of the state machine this operation is completed immediately so the Send_Ack action should be executed as one of the next actions. In some cases the SDU reassembly function cannot accept the I-frame so the I-frame will be stored within the L2CAP Entity consuming a portion of its TxWindow. When the I-frame is pulled by the SDU reassembly function the Send_Ack action should be executed. Before the Send_Ack action is executed BufferSeq is advanced as follows:

$$\text{BufferSeq} := (\text{BufferSeq} + 1) \text{ mod } \text{MaxTxWin}$$

Increment-ExpectedTxSeq—ExpectedTxSeq is incremented as follows:

$$\text{ExpectedTxSeq} := (\text{ExpectedTxSeq} + 1) \text{ mod } \text{MaxTxWin}$$

Stop-RetransTimer—the Retransmission timer is stopped.

Stop-MonitorTimer —the Monitor timer is stopped.

Send-Ack (F=x)—an acknowledgment with the specified value for the F-bit may be sent. This action may occur in an action block with other actions that



also send frames. If a frame has already been sent then it is not necessary to send additional frames.

If the value for the F-bit is not specified it shall be set to 0. If the value specified is P then the F-bit shall be set equal to the value of the P-bit of the received frame being acknowledged. If more than one frame is sent in the acknowledgment only the first frame shall have an F-bit set to 1. An acknowledgment is an RR, RNR, or pending I-frame(s) (I-frames that have not been transmitted yet). If pending I-frames are available and are allowed to be sent then as many as allowed should be sent as an acknowledgment. Sending an RR or RNR as an acknowledgment for each received I-frame is not required. An implementation may wait to send an RR or RNR until a specific number of I-frames have been received, after a certain period of time has elapsed or some other algorithm. To keep data flowing it is recommended that an acknowledgment be sent before the TxWindow is full. It should also be noted that the maximum size of a remote L2CAP entity's unacknowledged I-frame list may be smaller than the local L2CAP entity's TxWindow. Therefore the local L2CAP entity should not expect the remote L2CAP entity to send enough frames to fill its TxWindow and should acknowledge I-frames accordingly.

The following algorithm shall be used when sending an acknowledgment.

```

if LocalBusy == TRUE then {
    Send_RNR (F=x)
}
else if (RemoteBusy == FALSE) and Pending I-frames
Exist and RemWindow-Not-Full then {
    Send-Pending-I-frames (F=x)
}
else {
    Send_RR (F=x)
}

```

InitSrej—Initialize the variables used for processing SREJ as follows:

```

Clear SrejList - (remove all values)
SendRej := FALSE
BufferSeqSrej := BufferSeq

```

SaveIframeSrej—Save the received I-frame. Missing I-frame(s) will be retransmitted in response to SREJ frames. Implementations may want to save the I-frame in its proper sequence order by leaving room for the missing I-frames.



StoreOrIgnore—If the local L2CAP entity has room to store the received I-frame then it may store it otherwise it shall discard it. If the received I-frame is stored, ExpectedTxSeq is advanced as follows:

$$\text{ExpectedTxSeq} := (\text{ExpectedTxSeq} + 1) \bmod \text{MaxTxWin}$$

PbitOutstanding—If the Transmitter state machine of the local L2CAP entity is in the WAIT_F state then return TRUE otherwise return FALSE.

Retransmit-I-frames—All the unacknowledged I-frames starting with the I-frame with TxSeq equal to the ReqSeq field of the received S-frame (REJ or RR) is retransmitted. If the P-bit of the received S-frame is 1 then the F-bit of the first I-frame sent shall be 1. If the P-bit of the received S-frame is 0 then the F-bit of the first I-frame sent shall be 0. The F-bit of all other unacknowledged I-frames sent shall be 0. The retry counter in RetryIframes[] for each retransmitted I-frame is incremented by 1. If a retry counter in RetryIframes[] is equal to MaxTransmit then the channel shall be closed. FramesSent shall be incremented by 1 for each frame sent. If the RetransTimer is not already running then perform the Start-RetransTimer action.

Retransmit-Requested-I-frame—The unacknowledged I-frame with TxSeq equal to the ReqSeq field of the received S-frame (SREJ) is retransmitted. If the P-bit of the received S-frame is 1 then the F-bit of the retransmitted I-frame shall be 1. If the P-bit of the received S-frame is 0 then the F-bit of the retransmitted I-frame shall be 0. The retry counter in RetryIframes[] corresponding to the retransmitted I-frame is incremented by 1. If the RetransTimer is not already running then perform the Start-RetransTimer action.

Send-Pending-I-frames (F=x)—If PbitOutstanding equals FALSE then send all pending I-frames that can be sent without exceeding the receiver's TxWindow using the Send-Data action. If a value for the F-bit is specified then the F-bit of the first I-frame sent shall be set to the specified value and the F-bit of all other I-frames sent shall be set to 0. If no value for the F-bit is specified then all I-frames sent shall have the F-bit set to 0. Pending I-frames are I-frames that have been given to the L2CAP entity by the upper layer but have not yet been transmitted. If one or more I-frames are sent and the RetransTimer is not already running then perform the Start-RetransTimer action.

Close Channel—Close the L2CAP channel as described in [Section 4.6](#).

Ignore—Silently discard the event.

CloseChannelOrIgnore—Either close the L2CAP channel as described in [Section 4.6](#) (in which case the next state is ignored) or silently discard the event.

PopSrejList—Remove and discard the TxSeq from the head of SrejList.



Data-IndicationSrej—If the received I-frame fills a gap in a sequence of saved I-frames then all the saved I-frames in the sequence are passed to the SDU reassembly function. For the purpose of the state machine this operation is completed immediately. For example if the TxSeq of saved I-frames before receiving an I-frame is 2, 3, 5, 6, 9 and the received I-frame has a TxSeq of 4 then it fills the gap between 3 and 5 so the sequence 2, 3, 4, 5, 6 can be passed to the SDU reassembly function. When the I-frames are actually removed from the L2CAP entity receive buffers either by being processed immediately or when pulled by the SDU reassembly function, BufferSeqSrej is advanced as follows:

$$\text{BufferSeqSrej} := (\text{BufferSeqSrej} + 1) \text{ mod } \text{MaxTxWin}$$

8.6.5.7 XMIT state table

Event	Condition	Action	Next State
Data-Request	RemoteBusy = FALSE and RemWindow-Not-Full	Send-Data	XMIT
Data-Request	RemoteBusy = TRUE or RemWindow-Full	Pend-Data	XMIT
Local-Busy-Detected	<i>none</i>	LocalBusy := TRUE Optionally Send RNR	XMIT
Local-Busy-Clear	RNRsent = TRUE	LocalBusy := FALSE RNRsent := FALSE Send RR(P=1) RetryCount := 1 Stop-RetransTimer Start-MonitorTimer	WAIT_F
Local-Busy-Clear	RNRsent = FALSE	LocalBusy := FALSE RNRsent := FALSE	XMIT
Recv ReqSeqAndFbit	<i>none</i>	Process-ReqSeq	XMIT
Recv Fbit	<i>none</i>	<i>none</i>	XMIT
RetransTimer-Expires	<i>none</i>	Send RRorRNR(P=1) RetryCount := 1 Start-MonitorTimer	WAIT_F

Table 8.3: XMIT state table



8.6.5.8 WAIT_F state table

Event	Condition	Action	Next State
Data-Request	<i>none</i>	Pend-Data	WAIT_F
Recv ReqSeqAndFbit	F = 1	Process-ReqSeq Stop-MonitorTimer If UnackedFrames > 0 then { Start-RetransTimer }	XMIT
Recv ReqSeqAndFbit	F = 0	Process-ReqSeq	WAIT_F
Recv Fbit	F = 1	Stop-MonitorTimer If UnackedFrames > 0 then { Start-RetransTimer }	XMIT
Recv Fbit	F = 0	<i>none</i>	WAIT_F
MonitorTimer-Expires	RetryCount < Max-Transmit	RetryCount := RetryCount+1 Send RRorRNR(P=1) Start-MonitorTimer	WAIT_F
MonitorTimer-Expires	RetryCount ≥ Max-Transmit	Close Channel	<i>none</i>

Table 8.4: WAIT_F state table

8.6.5.9 RECV state table

Event	Condition	Action	Next State
Recv I-frame (F=0)	With-Expected-TxSeq and With-Valid-ReqSeq and With-Valid-F-bit and LocalBusy = FALSE	Increment-ExpectedTxSeq PassToTx Data-Indication Send-Ack(F=0)	RECV
Recv I-frame (F=1)	With-Expected-TxSeq and With-Valid-ReqSeq and With-Valid-F-bit and LocalBusy = FALSE	Increment-ExpectedTxSeq PassToTx Data-Indication If RejActioned = FALSE then { Retransmit-I-frames Send-Pending-I-frames } else { RejActioned := FALSE } Send-Ack(F=0)	RECV

Table 8.5: RECV state table (Sheet 1 of 4)



Event	Condition	Action	Next State
Recv I-frame	With-duplicate-TxSeq and With-Valid-ReqSeq and With-Valid-F-bit and LocalBusy = FALSE	PassToTx	RECV
Recv I-frame	With-unexpected-TxSeq and With-Valid-ReqSeq and With-Valid-F-bit and LocalBusy = FALSE <i>Alternative 1</i>	PassToTx SendREJ	REJ_SENT
Recv I-frame	With-unexpected-TxSeq and With-Valid-ReqSeq and With-Valid-F-bit and LocalBusy = FALSE <i>Alternative 2</i>	PassToTx InitSrej SaveIframeSrej SendSREJ	SREJ_SENT
Recv I-frame	With-Expected-TxSeq and With-Valid-ReqSeq and With-Valid-F-bit and LocalBusy = TRUE	PassToTx StoreOrIgnore	RECV
Recv I-frame	With-Valid-ReqSeq and Not-With_Expected_TxSeq and With-Valid-F-bit and LocalBusy = TRUE	PassToTx	RECV
Recv RNR (P=0)	With-Valid-ReqSeq and With-Valid-F-bit	RemoteBusy := TRUE PassToTx Stop-RetransTimer	RECV
Recv RNR (P=1)	With-Valid-ReqSeq and With-Valid-F-bit	RemoteBusy := TRUE PassToTx Stop-RetransTimer Send RRorRNR (F=1)	RECV
Recv RR(P=0)(F=0)	With-Valid-ReqSeq and With-Valid-F-bit	PassToTx If RemoteBusy = TRUE and UnackedFrames > 0 then { Start-RetransTimer } RemoteBusy := FALSE Send-Pending-I-frames	RECV

Table 8.5: RECV state table (Sheet 2 of 4)



Event	Condition	Action	Next State
Recv RR(F=1)	With-Valid-ReqSeq and With-Valid-F-bit	RemoteBusy := FALSE PassToTx If RejActioned = FALSE then { Retransmit-I-frames } else { RejActioned := FALSE } Send-Pending-I-frames	RECV
Recv RR(P=1)	With-Valid-ReqSeq and With-Valid-F-bit	PassToTx Send IorRRorRNR(F=1)	RECV
Recv REJ (F=0)	With-Valid-ReqSeq- Retrans and RetryIframes[i] < Max- Transmit and With-Valid-F-bit	RemoteBusy := FALSE PassToTx Retransmit-I-frames Send-Pending-I-frames If PbitOutstanding then { RejActioned := TRUE }	RECV
Recv REJ (F=1)	With-Valid-ReqSeq- Retrans and RetryIframes[i] < Max- Transmit and With-Valid-F-bit	RemoteBusy := FALSE PassToTx If RejActioned = FALSE then { Retransmit-I-frames } else { RejActioned :=FALSE } Send-Pending-I-frames]	RECV
Recv SREJ (P=0) (F=0)	With-Valid-ReqSeq- Retrans and RetryIframes[i] < Max- Transmit and With-Valid-F-bit	RemoteBusy := FALSE PassToTxFbit Retransmit-Requested-I-frame If PbitOutstanding then { SrejActioned := TRUE SrejSaveReqSeq = ReqSeq }	RECV

Table 8.5: RECV state table (Sheet 3 of 4)



Event	Condition	Action	Next State
Recv SREJ (P=0) (F=1)	With-Valid-ReqSeq- Retrans and Retrylframes[i] < Max- Transmit and With-Valid-F-bit	RemoteBusy := FALSE PassToTxFbit If SrejActioned = TRUE and SrejSaveReqSeq = ReqSeq then { SrejActioned := FALSE } else { Retransmit-Requested- I-frame }	RECV
Recv SREJ(P=1)	With-Valid-ReqSeq- Retrans and Retrylframes[i] < Max- Transmit and With-Valid-F-bit	RemoteBusy := FALSE PassToTx Retransmit-Requested-I-frame Send-Pending-I-frames If PbitOutstanding then { SrejActioned = TRUE SrejSaveReqSeq := ReqSeq }	RECV
Recv REJ	With-Valid-ReqSeq- Retrans and Retrylframes[i] ≥ Max- Transmit	Close Channel	<i>none</i>
RECV SREJ	With-Valid-ReqSeq- Retrans and Retrylframes[i] >= Max- Transmit	Close Channel	<i>none</i>
Recv I-frame	(With-Invalid-TxSeq and TxWindow >(MaxTxWin/2) or With-Invalid-ReqSeq	Close Channel	<i>none</i>
Recv I-frame	With-Invalid-TxSeq and TxWindow ≤ (MaxTx- Win/2)	CloseChannelOrIgnore	RECV
Recv RRorRNR	With-Invalid-ReqSeq	Close Channel	<i>none</i>
Recv REJorSREJ	With-Invalid-ReqSeq- Retrans	Close Channel	<i>none</i>
Recv frame	<i>none</i>	Ignore	RECV

Table 8.5: RECV state table (Sheet 4 of 4)



8.6.5.10 REJ_SENT state table

Event	Condition	Action	Next State
Recv I-frame (F=0)	With-Expected-TxSeq and With-Valid-ReqSeq and With-Valid-F-bit	Increment-ExpectedTxSeq PassToTx Data-Indication Send-Ack (F=0)	RECV
Recv I-frame (F=1)	With-Expected-TxSeq and With-Valid-ReqSeq and With-Valid-F-bit	Increment-ExpectedTxSeq PassToTx Data-Indication If RejActioned = FALSE then { Retransmit I-frames Send-Pending-I-frames } else { RejActioned := FALSE } Send-Ack (F=0)	RECV
Recv I-frame	With-Unexpected-TxSeq and With-Valid-ReqSeq and With-Valid-F-bit	PassToTx	REJ_SENT
Recv RR (F=1)	With-Valid-ReqSeq and With-Valid-F-bit	RemoteBusy := FALSE PassToTx If RejActioned = FALSE then { Retransmit-I-frames } else { RejActioned := FALSE } Send-Pending-I-frames	REJ_SENT
Recv RR (P=0)(F=0)	With-Valid-ReqSeq and With-Valid-F-bit	PassToTx If RemoteBusy = TRUE and UnackedFrames > 0 then { Start-RetransTimer } RemoteBusy := FALSE Send-Ack (F=0)	REJ_SENT

Table 8.6: REJ_SENT state table (Sheet 1 of 4)



Event	Condition	Action	Next State
Recv RR (P=1)	With-Valid-ReqSeq and With-Valid-F-bit	PassToTx If RemoteBusy = TRUE and UnackedFrames > 0 then { Start-RetransTimer } RemoteBusy := FALSE Send RR (F=1)	REJ_SENT
Recv RNR (P=1)	With-Valid-ReqSeq and With-Valid-F-bit	RemoteBusy := TRUE PassToTx Send RR (F=1)	REJ_SENT
Recv RNR (P=0)	With-Valid-ReqSeq and With-Valid-F-bit	RemoteBusy := TRUE PassToTx Send RR (F=0)	REJ_SENT
Recv REJ (F=0)	With-Valid-ReqSeq - Retrans and RetryIframes[i] < Max- Transmit and With-Valid-F-bit	RemoteBusy := FALSE PassToTx Retransmit-I-frames Send-Pending-I-frames If PbitOutstanding then { RejActioned := TRUE }	REJ_SENT
Recv REJ (F=1)	With-Valid-ReqSeq - Retrans and RetryIframes[i] < Max- Transmit and With-Valid-F-bit	RemoteBusy := FALSE PassToTx If RejActioned = FALSE then { Retransmit-I-frames } else { RejActioned := FALSE } Send-Pending-I-frames	REJ_SENT
Recv SREJ (P=0) (F=0)	With-Valid-ReqSeq- Retrans and RetryIframes[i] < Max- Transmit and With-Valid-F-bit	RemoteBusy := FALSE PassToTxFbit Retransmit-Requested-I-frame If PbitOutstanding then { SrejActioned := TRUE SrejSaveReqSeq := ReqSeq }	REJ_SENT

Table 8.6: REJ_SENT state table (Sheet 2 of 4)



Event	Condition	Action	Next State
Recv SREJ (P=0) (F=1)	With-Valid-ReqSeq- Retrans and RetryIframes[i] < Max- Transmit and With-Valid-F-bit	RemoteBusy := FALSE PassToTxFbit If SrejActioned = TRUE and SrejSaveReqSeq = ReqSeq then { SrejActioned := FALSE } else { Retransmit-Requested- I-frame }	REJ_SENT
Recv SREJ (P=1)	With-Valid-ReqSeq- Retrans and RetryIframes[i] < Max- Transmit and With-Valid-F-bit	RemoteBusy := FALSE PassToTx Retransmit-Requested- I-frames Send-Pending-I-frames If PbitOutstanding then { SrejActioned := TRUE SrejSaveReqSeq := ReqSeq }	REJ_SENT
Recv REJ	With-Valid-ReqSeq- Retrans and RetryIframes[i] ≥ Max- Transmit	Close Channel	<i>none</i>
Recv SREJ (P=0)	With-Valid-ReqSeq- Retrans and RetryIframes[i] ≥ Max- Transmit	Close Channel	<i>none</i>
RECV SREJ (P=1)	With-Valid-ReqSeq- Retrans and RetryIframes[i] ≥ Max- Transmit	Close Channel	<i>none</i>
Recv I-frame	(With-Invalid-TxSeq and TxWindow > (MaxTx- Win/2)) or With-Invalid-ReqSeq	Close Channel	<i>none</i>
Recv RRorRNR	With-Invalid-ReqSeq	Close Channel	<i>none</i>
RecvREJorSREJ	With-Invalid-ReqSeq- Retrans	Close Channel	<i>none</i>

Table 8.6: REJ_SENT state table (Sheet 3 of 4)



Event	Condition	Action	Next State
Recv I-frame	With-Invalid-TxSeq and TxWindow \leq (MaxTx-Win/2) and With-Valid-ReqSeq	CloseChannelOrIgnore	REJ_SENT
Recv frame	none	Ignore	REJ_SENT

Table 8.6: REJ_SENT state table (Sheet 4 of 4)

8.6.5.11 SREJ_SENT state table

Event	Condition	Action	Next State
Recv I-frame	With-Expected-TxSeq-Srej and With-Valid-ReqSeq and With-Valid-F-bit and SendRej = FALSE and SrejList = 1	SavelframeSrej PopSrejList PassToTx Data-IndicatioSrej BufferSeq := BufferSeqSrej Send-Ack (F=0)	RECV
Recv I-frame	With-Expected-TxSeq-Srej and With-Valid-ReqSeq and With-Valid-F-bit and SendRej = TRUE and SrejList = 1	SavelframeSrej PopSrejList PassToTx Data-IndicationSrej BufferSeq := BufferSeqSrej Send REJ	REJ_SENT
Recv I-frame	With-Expected-TxSeq-Srej and With-Valid-ReqSeq and With-Valid-F-bit and SrejList > 1	SavelframeSrej PopSrejList PassToTx Data-IndicationSrej	SREJ_SENT
Recv I-frame	With-Expected-TxSeq and With-Valid-ReqSeq and With-Valid-F-bit	SavelframeSrej Increment-ExpectedTxSeq PassToTx	SREJ_SENT
Recv I-frame	With-Unexpected-TxSeq and With-Valid-ReqSeq and With-Valid-F-bit and SendRej = FALSE	SavelframeSrej PassToTx Send SREJ	SREJ_SENT
		PassToTx SendRej := TRUE	SREJ_SENT

Table 8.7: SREJ_SENT state table (Sheet 1 of 4)



Event	Condition	Action	Next State
Recv I-frame	With-Unexpected-TxSeq and With-Valid-ReqSeq and With-Valid-F-bit and SendRej = TRUE	PassToTx	SREJ_SENT
Recv I-frame	With-Unexpected-TxSeq-Srej and With-Valid-ReqSeq and With-Valid-F-bit	SaveIframeSrej PassToTx Send SREJ(SrejList)	SREJ_SENT
Recv I-frame	With-duplicate-TxSeq-Srej and With-Valid-ReqSeq and With-Valid-F-bit	PassToTx	SREJ_SENT
Recv RR(F=1)	With-Valid-ReqSeq and With-Valid-F-bit	RemoteBusy := FALSE PassToTx If RejActioned = FALSE then { Retransmit-I-frames } else { RejActioned := FALSE } Send-Pending-I-frames	SREJ_SENT
Recv RR(P=1)	With-Valid-ReqSeq and With-Valid-F-bit	PassToTx If RemoteBusy = TRUE and UnackedFrames > 0 then { Start-RetransTimer } RemoteBusy := FALSE Send SREJ(SrejList-tail)(F=1)	SREJ_SENT
Recv RR(P=0)(F=0)	With-Valid-ReqSeq and With-Valid-F-bit	PassToTx If RemoteBusy = TRUE and UnackedFrames > 0 then { Start-RetransTimer } RemoteBusy := FALSE Send-Ack(F=0)	SREJ_SENT
Recv RNR(P=1)	With-Valid-ReqSeq and With-Valid-F-bit	RemoteBusy := TRUE PassToTx Send SREJ(SrejList-tail)(F=1)	SREJ_SENT

Table 8.7: SREJ_SENT state table (Sheet 2 of 4)



Event	Condition	Action	Next State
Recv RNR(P=0)	With-Valid-ReqSeq and With-Valid-F-bit	RemoteBusy := TRUE PassToTx Send RR(F=0)	SREJ_SENT
Recv REJ (F=0)	With-Valid-ReqSeq- Retrans and RetryIframes[i] < Max- Transmit and With-Valid-F-bit	RemoteBusy := FALSE PassToTx Retransmit-I-frames Send-Pending-I-frames If PbitOutstanding then { RejActioned := TRUE }	SREJ_SENT
Recv REJ (F=1)	With-Valid-ReqSeq- Retrans and RetryIframes[i] < Max- Transmit and With-Valid-F-bit	RemoteBusy := FALSE PassToTx If RejActioned = FALSE then { Retransmit-I-frames } else { RejActioned := FALSE } Send-Pending-I-frames	SREJ_SENT
Recv SREJ(P=0) (F=0)	With-Valid-ReqSeq- Retrans and RetryIframes[i] < MaxTransmit and With-Valid-F-bit	RemoteBusy := FALSE PassToTxFbit Retransmit-Requested-I-frame If PbitOutstanding then { SrejActioned := TRUE SrejSaveReqSeq = ReqSeq }	SREJ_SENT
Recv SREJ(P=0) (F=1)	With-Valid-ReqSeq- Retrans and RetryIframes[i] < MaxTransmit and With-Valid-F-bit	RemoteBusy := FALSE PassToTxFbit If SrejActioned = TRUE and SrejSaveReqSeq = ReqSeq then { SrejActioned := FALSE } else { Retransmit-Requested- I-frame }	SREJ_SENT

Table 8.7: SREJ_SENT state table (Sheet 3 of 4)



Event	Condition	Action	Next State
Recv SREJ(P=1)	With-Valid-ReqSeq- Retrans and RetryIframes[i] < MaxTransmit and With-Valid-F-bit	RemoteBusy := FALSE PassToTx Retransmit-Requested-I-frame Send-Pending-I-frames If PbitOutstanding then { SrejActioned := TRUE SrejSaveReqSeq = ReqSeq }	SREJ_SENT
Recv REJ	With-Valid-ReqSeq- Retrans and RetryIframes[i] ≥ MaxTransmit	Close Channel	none
Recv SREJ(P=0)	With-Valid-ReqSeqRe- trans and RetryIframes[i] ≥ Max- Transmit	Close Channel	none
Recv SREJ(P=1)	With-Valid-ReqSeqRe- trans and RetryIframes[i] ≥ Max- Transmit	Close Channel	none
Recv I-frame	(With-Invalid-TxSeq and TxWindow > (Max- TxWin/2) or With-Invalid-ReqSeq	Close Channel	none
Recv RRor- RNR	With-Invalid-ReqSeq	Close Channel	none
Recv REJorSREJ	With-Invalid-ReqSeq- Retrans	Close Channel	none
Recv I-frame	With-Invalid-TxSeq and TxWindow ≤ (Max- TxWin/2)	CloseChannelOrIgnore	SREJ_SENT
Recv frame	none	Ignore	SREJ_SENT

Table 8.7: SREJ_SENT state table (Sheet 4 of 4)



8.7 STREAMING MODE

When a link is configured to work in Streaming Mode, the frame format for outgoing data is the same as for Enhanced Retransmission mode but frames are not acknowledged. Therefore

- RR, REJ, RNR and SREJ frames shall not be used in Streaming Mode.
- The F-bit shall always be set to zero in the transmitter, and shall be ignored in the receiver.
- the MonitorTimer and RetransmissionTimer shall not be used in Streaming mode.

A channel configured to work in Streaming mode shall be configured with a finite value for the Flush Timeout on the transmitter.

8.7.1 Transmitting I-frames

When transmitting a new I-frame the control field parameter ReqSeq shall be set to 0, TxSeq shall be set to NextTXSeq and NextTXSeq shall be incremented by one.

8.7.2 Receiving I-frames

Upon receipt of a valid I-frame with TxSeq equal to ExpectedTxSeq, the frame shall be made available to the reassembly function. ExpectedTxSeq shall be incremented by one.

Upon receipt of a valid I-frame with an out-of-sequence TxSeq (see [Section 8.7.3.1](#)) all frames with a sequence number less than TxSeq shall be assumed lost and marked as missing. The missing I-frames are in the range from ExpectedTxSeq (the frame that the device was expecting to receive) up to and including TxSeq - 1. ExpectedTxSeq shall be set to TxSeq + 1. The received I-frame shall be made available for pulling by the reassembly function. The ReqSeq shall be ignored.

Note: It is possible for a complete window size of I-frames to be missing and thus, no missing I-frames are detected. For example, when a window size of 63 is used this situation occurs when 63 I-frames in a row are missing. If the ability to not detect missing I-frames will cause problems for an application, it is recommended that the Extended Window Size option be used.

If there is no buffer space for the received I-frame an existing I-frame (i.e. the oldest) shall be discarded (flushed) freeing up buffer space for the new I-frame. The discarded I-frame shall be marked as missing.



8.7.3 Exception conditions

Exception conditions may occur as the result of physical layer errors or L2CAP procedural errors. The error recovery procedures which are available following the detection of an exception condition at the L2CAP layer in Streaming mode are defined in this section.

8.7.3.1 TxSeq sequence error

A TxSeq sequence error exception condition occurs in the receiver when a valid I-frame is received which contains a TxSeq value which is not equal to the expected value, thus TxSeq is not equal to ExpectedTxSeq.

The out-of-sequence I-frame is identified by a TxSeq that is greater than ExpectedTxSeq ($\text{TxSeq} > \text{ExpectedTxSeq}$). The ReqSeq shall be ignored. The missing I-frame(s) are considered lost and ExpectedTxSeq is set equal to TxSeq+1 as specified in [Section 8.7.2](#). The missing I-frame(s) are reported as lost to the SDU reassembly function.



9 [THIS SECTION IS NO LONGER USED]



10 PROCEDURES FOR CREDIT BASED FLOW CONTROL

There are two credit-based flow control modes: LE Credit Based Flow Control Mode and Enhanced Credit Based Flow Control Mode.

10.1 LE CREDIT BASED FLOW CONTROL MODE

LE Credit Based Flow Control Mode is used for LE L2CAP connection-oriented channels with flow control using a credit based scheme for L2CAP data (i.e. not signaling packets).

The number of credits (K-frames) that can be received by a device on an L2CAP channel is determined during connection establishment. K-frames shall only be sent on an L2CAP channel if the device has a credit count greater than zero for that L2CAP channel. For each K-frame sent the device decreases the credit count for that L2CAP channel by one. The peer device may return credits for an L2CAP channel at any time by sending an L2CAP_FLOW_CONTROL_CREDIT_IND packet. When a credit packet is received by a device it shall increment the credit count for that L2CAP channel by the value of the Credits field in this packet. The number of credits returned for an L2CAP channel may exceed the initial credits provided in the L2CAP_LE_CREDIT_BASED_CONNECTION_REQ or L2CAP_LE_CREDIT_BASED_CONNECTION_RSP packet. The device sending the L2CAP_FLOW_CONTROL_CREDIT_IND packet shall ensure that the number of credits returned for an L2CAP channel does not cause the credit count to exceed 65535. The device receiving the credit packet shall disconnect the L2CAP channel if the credit count exceeds 65535. The device shall also disconnect the L2CAP channel if it receives a K-frame on an L2CAP channel from the peer device that has a credit count of zero. If a device receives an L2CAP_FLOW_CONTROL_CREDIT_IND packet with credit value set to zero, the packet shall be ignored. A device shall not send credit values of zero in L2CAP_FLOW_CONTROL_CREDIT_IND packets.

If an L2CAP_LE_CREDIT_BASED_CONNECTION_REQ packet is received and there is insufficient authentication between the two devices, the connection shall be rejected with a result value of “Connection refused - insufficient authentication”. If an L2CAP_LE_CREDIT_BASED_CONNECTION_REQ packet is received and there is insufficient authorization between the two devices, the connection shall be rejected with a result value of “Connection refused - insufficient authorization”. If an L2CAP_LE_CREDIT_BASED_CONNECTION_REQ packet is received and the encryption key size is too short, the connection shall be rejected with a result value of “Connection refused – insufficient encryption key size”.

Note: When encryption is not enabled, the result value “Connection refused – insufficient authentication” does not indicate that MITM protection is required.



10.2 ENHANCED CREDIT BASED FLOW CONTROL MODE

Enhanced Credit Based Flow Control Mode is used for L2CAP connection-oriented channels on LE and BR/EDR with flow control using a credit-based scheme for L2CAP data (i.e. not signaling packets). The ACL logical transport shall have an infinite Automatic Flush Timeout.

The number of credits (K-frames) that can be received by a device on an L2CAP channel is determined during connection establishment. K-frames shall only be sent on an L2CAP channel if the device has a credit count greater than zero for that L2CAP channel. For each K-frame sent, the sending device shall decrease the credit count for that L2CAP channel by one. The peer device may return credits for an L2CAP channel at any time by sending an L2CAP_FLOW_CONTROL_CREDIT_IND packet. When a credit packet is received by a device, it shall increment the credit count for that L2CAP channel by the value of the Credits field in this packet. The number of credits returned for an L2CAP channel may exceed the initial credits provided in the L2CAP_CREDIT_BASED_CONNECTION_REQ or L2CAP_CREDIT_BASED_CONNECTION_RSP packet. The device sending the L2CAP_FLOW_CONTROL_CREDIT_IND packet shall ensure that the number of credits returned for an L2CAP channel does not cause the credit count to exceed 65535. The device receiving the credit packet shall disconnect the L2CAP channel if the credit count exceeds 65535. The device shall also disconnect the L2CAP channel if it receives a K-frame on an L2CAP channel from the peer device that has a credit count of zero. If a device receives an L2CAP_FLOW_CONTROL_CREDIT_IND packet with credit value set to zero, the packet shall be ignored. A device shall not send credit values of zero in L2CAP_FLOW_CONTROL_CREDIT_IND packets.

This paragraph applies if an L2CAP_CREDIT_BASED_CONNECTION_REQ packet is received on the LE transport. If there is insufficient authentication between the two devices, the connection shall be rejected with a result value of "All connections refused - insufficient authentication". If there is insufficient authorization between the two devices, the connection shall be rejected with a result value of "All connections refused - insufficient authorization". If the encryption key size is too short, the connection shall be rejected with a result value of "All connections refused - insufficient encryption key size".

Note: When encryption is not enabled, the result value "All connections refused - insufficient authentication" does not indicate that MITM protection is required.

See [\[Vol 3\] Part C, Section 5.2.2](#) for the requirements for responding to a received L2CAP_CREDIT_BASED_CONNECTION_REQ packet.



APPENDIX A CONFIGURATION MSCs

The examples in this appendix describe a sample of the multiple possible configuration scenarios that might occur.

Figure A.1 illustrates the basic configuration process. In this example, the devices exchange MTU information. All other values are assumed to be default.

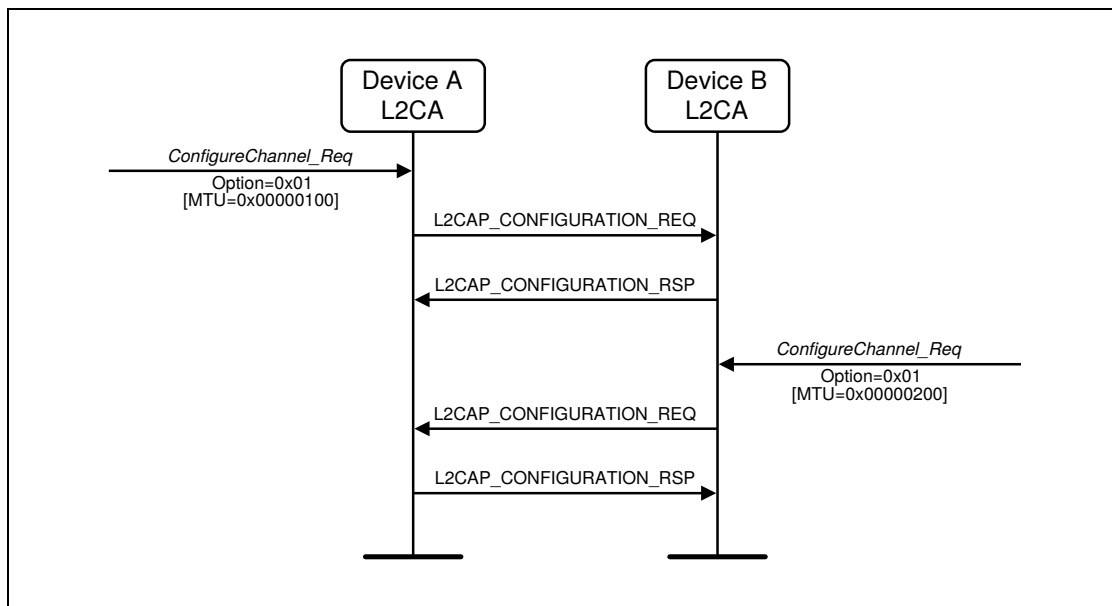


Figure A.1: Basic MTU exchange



Figure A.2 illustrates how two devices interoperate even though one device supports more options than the other does. Device A is an upgraded version. It uses a hypothetically defined option type 0x20 for link-level security. Device B rejects the command using the L2CAP_CONFIGURATION_RSP packet with result 'unknown parameter' informing Device A that option 0x20 is not understood. Device A then resends the request omitting option 0x20. Device B notices that it does not need to such a large MTU and accepts the request but includes in the response the MTU option informing Device A that Device B will not send an L2CAP packet with a payload larger than 0x80 octets over this channel. On receipt of the response, Device A could reduce the buffer allocated to hold incoming traffic.

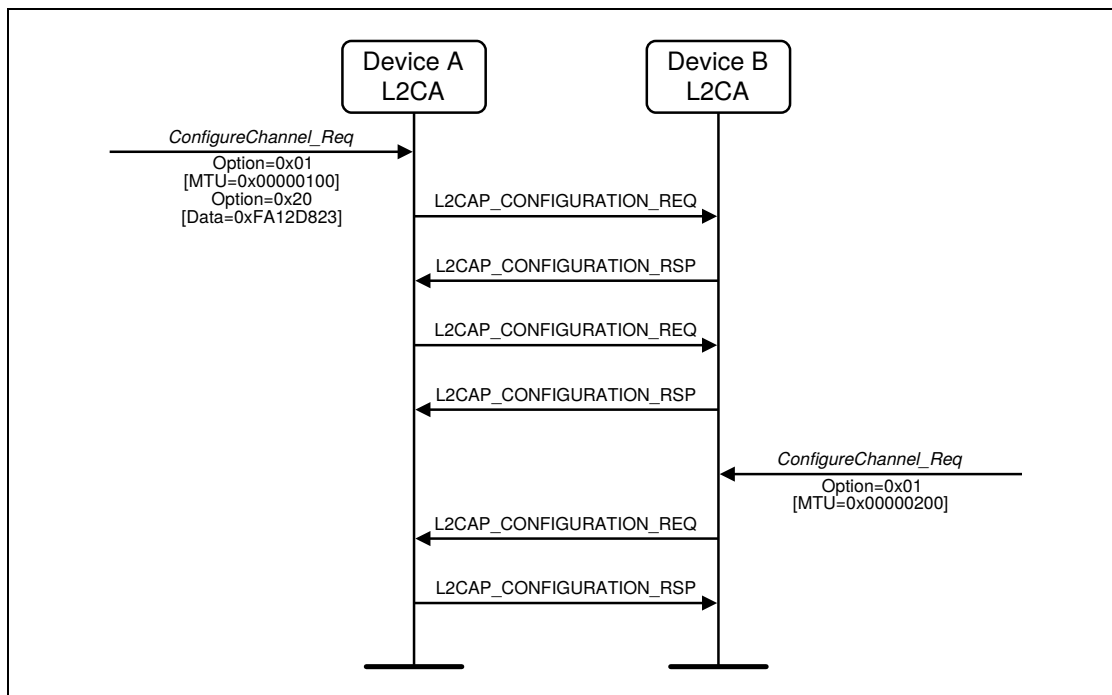


Figure A.2: Dealing with unknown options



Figure A.3 illustrates an unsuccessful configuration request. There are two problems described by this example. The first problem is that the configuration request is placed in an L2CAP packet that cannot be accepted by the remote device, due to its size. The remote device informs the sender of this problem using the L2CAP_COMMAND_REJECT_RSP message. Device A then resends the configuration options using two smaller L2CAP_ConfigReq messages.

The second problem is an attempt to configure a channel with an invalid CID. For example device B may have no open connection on that CID (0x01234567 in this example case).

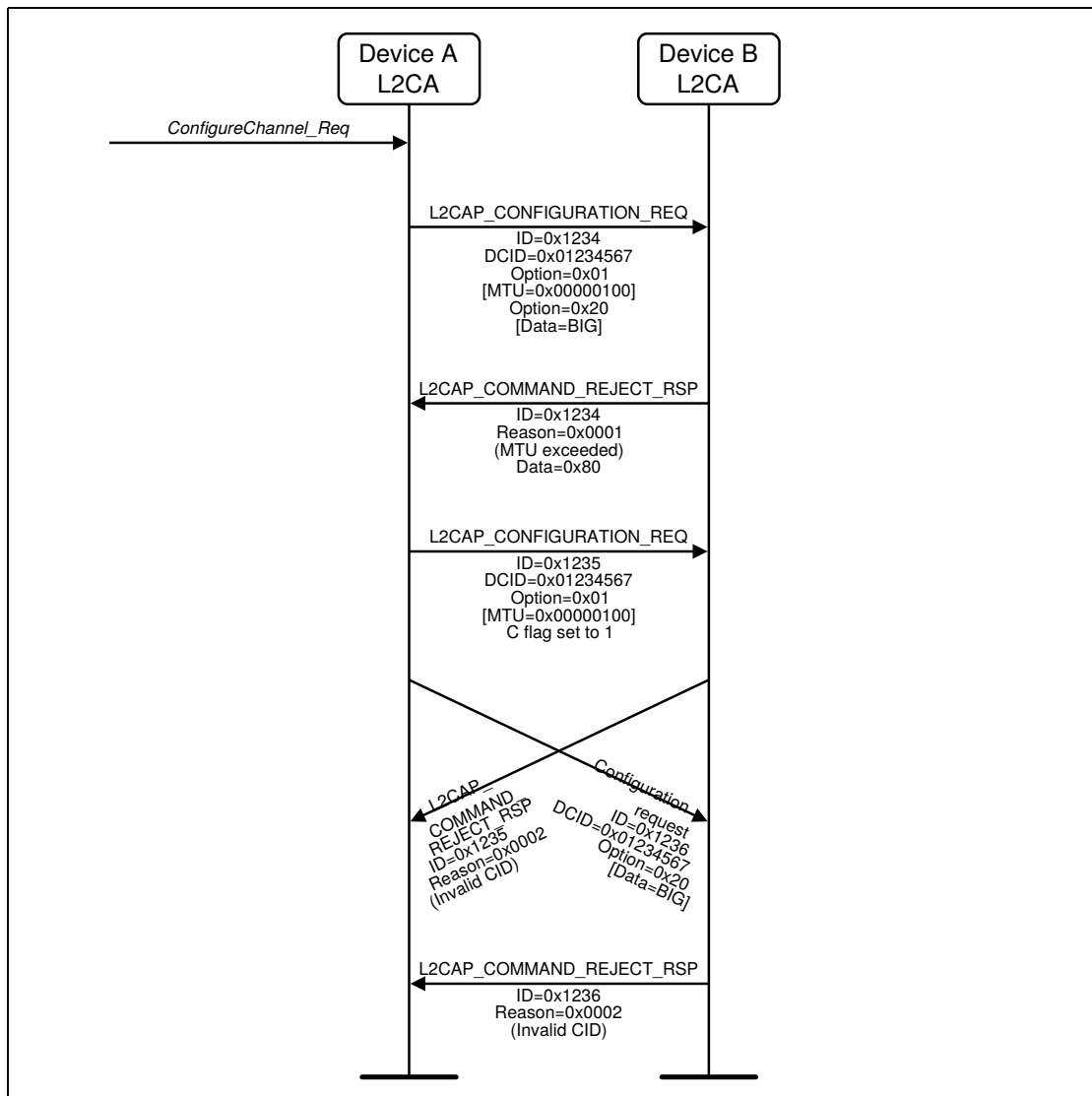


Figure A.3: Unsuccessful configuration request



APPENDIX B CHANGES TO SIGNALING PACKET NAMES

Previous versions of this specification used different names for the signalling packets defined in [Section 4](#). [Table B.1](#) shows the previous and current names of these packets.

Previous name	Current name
Command reject	L2CAP_COMMAND_REJECT_RSP
Configuration request	L2CAP_CONFIGURATION_REQ
Configuration response	L2CAP_CONFIGURATION_RSP
Connection Parameter Update request	L2CAP_CONNECTION_PARAMETER_UPDATE_REQ
Connection Parameter Update response	L2CAP_CONNECTION_PARAMETER_UPDATE_RSP
Connection request	L2CAP_CONNECTION_REQ
Connection response	L2CAP_CONNECTION_RSP
Disconnection request	L2CAP_DISCONNECTION_REQ
Disconnection response	L2CAP_DISCONNECTION_RSP
Echo request	L2CAP_ECHO_REQ
Echo response	L2CAP_ECHO_RSP
Information request	L2CAP_INFORMATION_REQ
Information response	L2CAP_INFORMATION_RSP
LE Credit Based Connection request	L2CAP_LE_CREDIT_BASED_CONNECTION_REQ
LE Credit Based Connection response	L2CAP_LE_CREDIT_BASED_CONNECTION_RSP
LE Flow Control Credit	L2CAP_FLOW_CONTROL_CREDIT_IND

Table B.1: Changes to signaling packet names

SERVICE DISCOVERY PROTOCOL (SDP) SPECIFICATION

*This Part defines a protocol for
locating services provided by or
available through a Bluetooth device.*



CONTENTS

1	Introduction	1174
1.1	General description	1174
1.2	Motivation	1174
1.3	Requirements	1174
1.4	Non-requirements and deferred requirements.....	1175
1.5	Conventions.....	1175
1.5.1	Bit and byte ordering conventions.....	1175
2	Overview	1176
2.1	SDP Client-Server architecture.....	1176
2.2	Service record	1177
2.3	Service attribute.....	1179
2.3.1	Attribute ID	1179
2.3.2	Attribute value.....	1180
2.4	Service class	1180
2.4.1	A printer service class example	1181
2.5	Searching for services	1181
2.5.1	UUID	1181
2.5.2	Service search patterns	1182
2.6	Browsing for services	1182
2.6.1	Example service browsing hierarchy	1183
3	Data representation	1185
3.1	Data element	1185
3.2	Data element type descriptor.....	1185
3.3	Data element size descriptor	1186
3.4	Data element examples.....	1187
4	Protocol description	1188
4.1	Transfer byte order	1188
4.2	Protocol Data Unit format	1188
4.3	Partial responses and continuation state.....	1189
4.4	Error handling	1190
4.4.1	SDP_ERROR_RSP PDU.....	1190
4.5	Service Search transaction.....	1191
4.5.1	SDP_SERVICE_SEARCH_REQ PDU	1192
4.5.2	SDP_SERVICE_SEARCH_RSP PDU	1193
4.6	Service Attribute transaction.....	1194
4.6.1	SDP_SERVICE_ATTR_REQ PDU	1194
4.6.2	SDP_SERVICE_ATTR_RSP PDU.....	1196
4.7	Service Search Attribute transaction	1197



4.7.1	SDP_SERVICE_SEARCH_ATTR_REQ PDU	1197
4.7.2	SDP_SERVICE_SEARCH_ATTR_RSP PDU.....	1199
5	Service attribute definitions.....	1201
5.1	Universal attribute definitions	1201
5.1.1	ServiceRecordHandle attribute	1201
5.1.2	ServiceClassIDList attribute.....	1201
5.1.3	ServiceRecordState attribute.....	1202
5.1.4	ServiceID attribute	1202
5.1.5	ProtocolDescriptorList attribute.....	1202
5.1.6	AdditionalProtocolDescriptorList attribute	1204
5.1.7	BrowseGroupList attribute	1205
5.1.8	LanguageBaseAttributeIDList attribute	1205
5.1.9	ServiceInfoTimeToLive attribute.....	1206
5.1.10	ServiceAvailability attribute	1206
5.1.11	BluetoothProfileDescriptorList attribute.....	1207
5.1.12	DocumentationURL attribute.....	1208
5.1.13	ClientExecutableURL attribute.....	1208
5.1.14	IconURL attribute	1208
5.1.15	ServiceName attribute	1209
5.1.16	ServiceDescription attribute	1209
5.1.17	ProviderName attribute.....	1209
5.1.18	Reserved universal attribute IDs.....	1210
5.2	ServiceDiscoveryServer service class attribute definitions....	1210
5.2.1	ServiceRecordHandle attribute	1210
5.2.2	ServiceClassIDList attribute.....	1210
5.2.3	VersionNumberList attribute.....	1210
5.2.4	ServiceDatabaseState attribute	1211
5.2.5	Reserved attribute IDs	1211
5.3	BrowseGroupDescriptor service class attribute definitions....	1211
5.3.1	ServiceClassIDList attribute.....	1212
5.3.2	GroupID attribute	1212
5.3.3	Reserved attribute IDs	1212
6	Security.....	1213
Appendix A	Background information	1214
A.1	Service discovery	1214
A.2	Bluetooth Service Discovery	1214



Appendix B	Example SDP Transactions	1215
B.1	SDP example 1 – ServiceSearchRequest	1215
B.2	SDP example 2 – ServiceAttributeTransaction	1217
B.3	SDP example 3 – ServiceSearchAttributeTransaction	1219
Appendix C	Changes to PDU names	1227



1 INTRODUCTION

1.1 GENERAL DESCRIPTION

The Service Discovery protocol (SDP) provides a means for applications to discover which services are available and to determine the characteristics of those available services.

1.2 MOTIVATION

Service discovery in the Bluetooth environment, where the set of services that are available changes dynamically based on the RF proximity of devices in motion, is qualitatively different from service discovery in traditional network-based environments. The Service Discovery protocol defined in this Part is intended to address the unique characteristics of the Bluetooth environment. See [Appendix A](#) for further information on this topic.

1.3 REQUIREMENTS

The following capabilities have been identified as requirements for version 1.0 of the Service Discovery Protocol.

1. SDP shall provide the ability for clients to search for needed services based on specific attributes of those services.
2. SDP shall permit services to be discovered based on the class of service.
3. SDP shall enable browsing of services without a priori knowledge of the specific characteristics of those services.
4. SDP shall provide the means for the discovery of new services that become available when devices enter RF proximity with a client device as well as when a new service is made available on a device that is in RF proximity with the client device.
5. SDP shall provide a mechanism for determining when a service becomes unavailable when devices leave RF proximity with a client device as well as when a service is made unavailable on a device that is in RF proximity with the client device.
6. SDP shall provide for services, classes of services, and attributes of services to be uniquely identified.
7. SDP shall allow a client on one device to discover a service on another device without consulting a third device.
8. SDP should be suitable for use on devices of limited complexity.
9. SDP shall provide a mechanism to incrementally discover information about the services provided by a device. This is intended to minimize the quantity of data that needs to be exchanged in order to determine that a particular service is not needed by a client.



10. SDP should support the caching of service discovery information by intermediary agents to improve the speed or efficiency of the discovery process.
11. SDP should be transport independent.
12. SDP shall function while using L2CAP as its transport protocol.
13. SDP shall permit the discovery and use of services that provide access to other Service Discovery protocols.
14. SDP shall support the creation and definition of new services without requiring registration with a central authority.

1.4 NON-REQUIREMENTS AND DEFERRED REQUIREMENTS

The Bluetooth SIG recognizes that the following capabilities are related to service discovery. These items are not addressed in SDP version 1.0. However, some may be addressed in future revisions of the specification.

1. SDP 1.0 does not provide access to services. It only provides access to information about services.
2. SDP 1.0 does not provide brokering of services.
3. SDP 1.0 does not provide for negotiation of service parameters.
4. SDP 1.0 does not provide for billing of service use.
5. SDP 1.0 does not provide the means for a client to control or change the operation of a service.
6. SDP 1.0 does not provide an event notification when services, or information about services, become unavailable.
7. SDP 1.0 does not provide an event notification when attributes of services are modified.
8. The specification does not define an application programming interface for SDP.
9. SDP 1.0 does not provide support for service agent functions such as service aggregation or service registration.

1.5 CONVENTIONS

1.5.1 Bit and byte ordering conventions

When multiple bit fields are contained in a single byte and represented in a drawing in this Part, the more significant (high-order) bits are shown toward the left and less significant (low-order) bits toward the right.

Multiple-byte fields are drawn with the more significant bytes toward the left and the less significant bytes toward the right. Multiple-byte fields are transferred in network byte order. See [Section 4.1](#).

2 OVERVIEW

2.1 SDP CLIENT-SERVER ARCHITECTURE

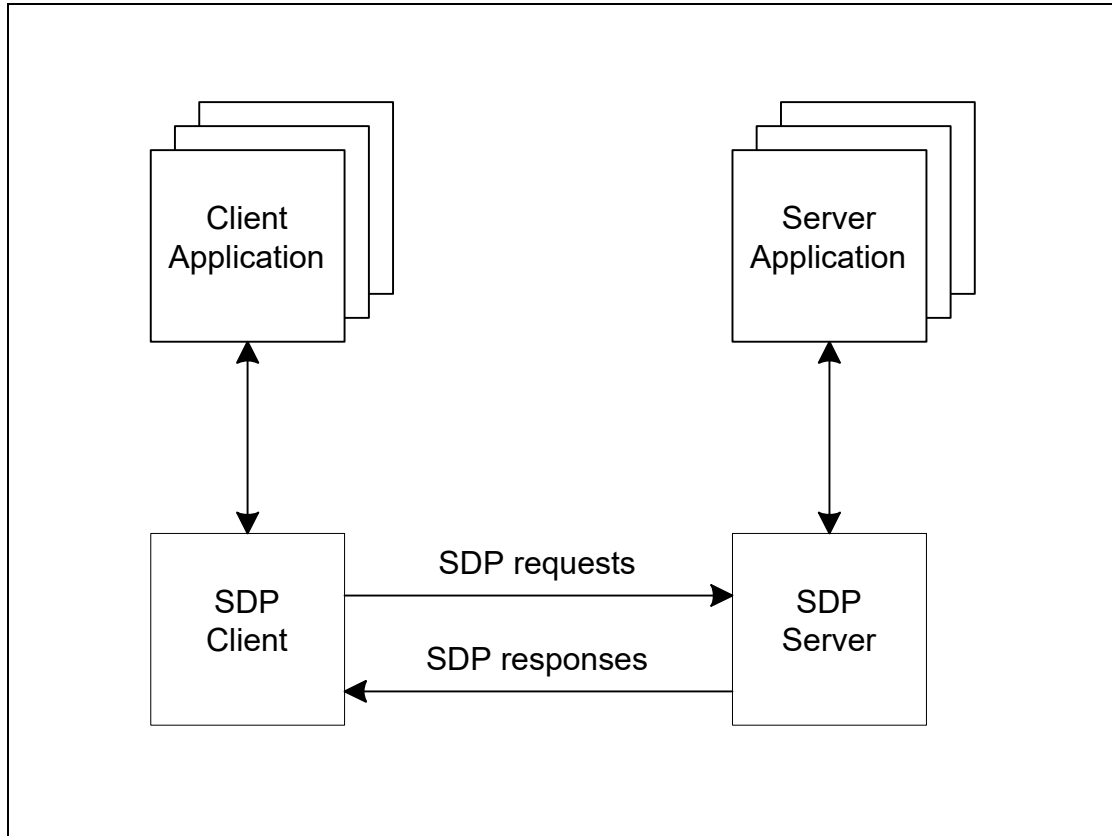


Figure 2.1: SDP Client-Server interaction

The service discovery mechanism provides the means for client applications to discover the existence of services provided by server applications as well as the attributes of those services. The attributes of a service include the type or class of service offered and the mechanism or protocol information needed to utilize the service.

From the perspective of the Service Discovery Protocol (SDP), the configuration shown in [Figure 2.1](#) can be simplified to that shown in [Figure 2.2](#).

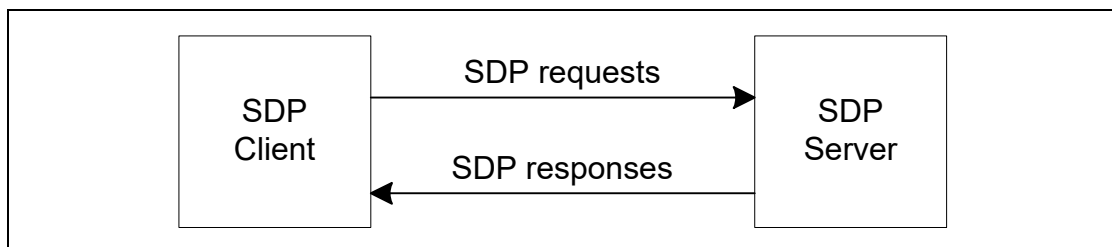


Figure 2.2: Simplified SDP Client-Server interaction



SDP involves communication between an SDP Server and an SDP Client. The server maintains an SDP database which consists of a list of service records that describe the characteristics of services associated with the server. Each service record contains information about a single service. A client can retrieve information from a service record maintained by the SDP Server by issuing an SDP request.

If the client, or an application associated with the client, decides to use a service, it opens a separate connection to the service provider in order to utilize the service. SDP provides a mechanism for discovering services and their attributes (including associated service access protocols), but it does not provide a mechanism for utilizing those services (such as delivering the service access protocols).

If multiple applications on a device provide services, an SDP Server can act on behalf of those service providers to handle requests for information about the services that they provide. Similarly, multiple client applications can utilize an SDP Client to query servers on behalf of the client applications.

The set of SDP Servers that are available to an SDP Client will change dynamically based on the RF proximity of the servers to the client. When a server becomes available, a potential client must be notified by a means other than SDP so that the client can use SDP to query the server about its services. Similarly, when a server leaves proximity or becomes unavailable for any reason, there is no explicit notification via the Service Discovery protocol. However, the client can use SDP to poll the server and may infer that the server is not available if it no longer responds to requests.

Additional information regarding application interaction with SDP shall be contained in the Bluetooth Service Discovery Profile document.

2.2 SERVICE RECORD

A service is any entity that can provide information, perform an action, or control a resource on behalf of another entity. A service may be implemented as software, hardware, or a combination of hardware and software.

All of the information about a service that is maintained by an SDP Server is contained within a single service record. The service record shall only be a list of service attributes.

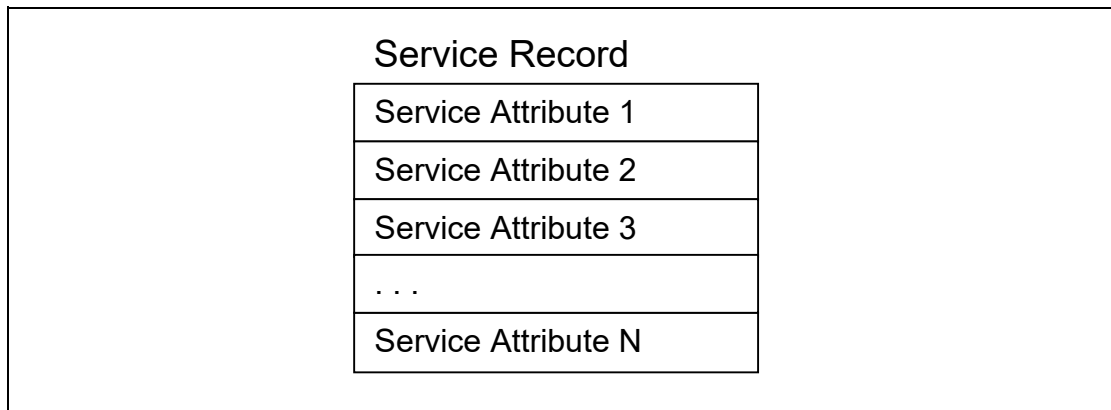


Figure 2.3: Service record

A service record handle is a 32-bit number that shall uniquely identify each service record within an SDP Server. In general, each handle is unique only within each SDP Server. If SDP Server S1 and SDP Server S2 both contain identical service records (representing the same service), the service record handles used to reference these identical service records are completely independent. The handle used to reference the service on S1 will be meaningless if presented to S2.

The Service Discovery protocol does not provide a mechanism for notifying clients when service records are added to or removed from an SDP Server. While an L2CAP (Logical Link Control and Adaptation Protocol) connection is established to a server, a service record handle acquired from the server shall remain valid unless the service record it represents is removed. If a service is removed from the server, further requests to the server (during the L2CAP connection in which the service record handle was acquired) using the service's (now stale) record handle shall result in an error response indicating an invalid service record handle. An SDP Server shall ensure that no service record handle values are re-used while an L2CAP connection remains established. Service record handles shall remain valid across successive L2CAP connections while the ServiceDatabaseState attribute value remains unchanged. Further, service record handles should remain valid until such time that the corresponding service is permanently removed or changes in an incompatible way. See the ServiceRecordState and ServiceDatabaseState attributes in [Section 5](#).

A device may have a service record with a service record handle of 0x00000000 representing the SDP Server itself. This service record contains attributes for the SDP Server and the protocol it supports. For example, one of its attributes is the list of SDP protocol versions supported by the server.



2.3 SERVICE ATTRIBUTE

Each service attribute describes a single characteristic of a service. Some examples of service attributes are:

ServiceClassIDList	Identifies the type of service represented by a service record. In other words, the list of classes of which the service is an instance
ServiceID	Uniquely identifies a specific instance of a service
ProtocolDescriptorList	Specifies the protocol stack(s) that may be used to utilize a service
ProviderName	The textual name of the individual or organization that provides a service
IconURL	Specifies a URL that refers to an icon image that may be used to represent a service
ServiceName	A text string containing a human-readable name for the service
ServiceDescription	A text string describing the service

See [Section 5.1](#), for attribute definitions that are common to all service records. Service providers can also define their own service attributes.

A service attribute consists of two components: an attribute ID and an attribute value.

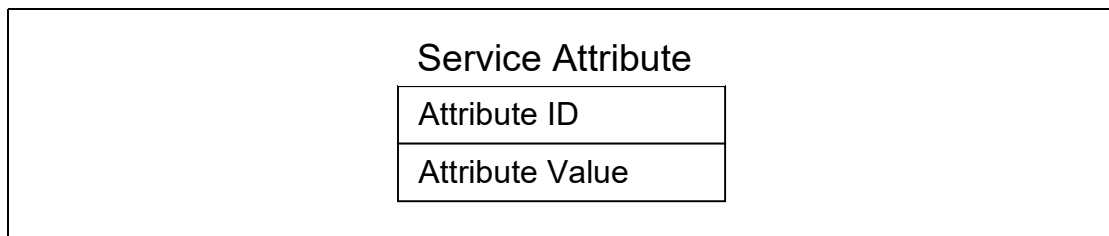


Figure 2.4: Service attribute

2.3.1 Attribute ID

An attribute ID is a 16-bit unsigned integer that distinguishes each service attribute from other service attributes within a service record. The attribute ID also identifies the semantics of the associated attribute value.

A service class definition specifies each of the attribute IDs for a service class and assigns a meaning to the attribute value associated with each attribute ID. Each attribute ID is defined to be unique only within each service class.

All services belonging to a given service class assign the same meaning to each particular attribute ID. See [Section 2.4](#).

In the Service Discovery protocol, an attribute ID is represented as a data element. See [Section 3](#).



2.3.2 Attribute value

The attribute value is a variable length field whose meaning is determined by the attribute ID associated with it and by the service class of the service record in which the attribute is contained. In the Service Discovery protocol, an attribute value is represented as a data element. (See [Section 3](#).) Generally, any type of data element is permitted as an attribute value, subject to the constraints specified in the service class definition that assigns an attribute ID to the attribute and assigns a meaning to the attribute value. See [Section 5](#), for attribute value examples.

2.4 SERVICE CLASS

Each service is an instance of a service class. The service class definition provides the definitions of all attributes contained in service records that represent instances of that class. Each attribute definition specifies the numeric value of the attribute ID, the intended use of the attribute value, and the format of the attribute value. A service record contains attributes that are specific to a service class as well as universal attributes that are common to all services.

Each service class is also assigned a unique identifier. This service class identifier is contained in the attribute value for the ServiceClassIDList attribute, and is represented as a UUID (see [Section 2.5.1](#)). Since the format and meanings of many attributes in a service record are dependent on the service class of the service record, the ServiceClassIDList attribute is very important. Its value shall be examined or verified before any class-specific attributes are used. Since all of the attributes in a service record must conform to all of the service's classes, the service class identifiers contained in the ServiceClassIDList attribute are related. Typically, each service class is a subclass of another class whose identifier is contained in the list. A service subclass definition differs from its superclass in that the subclass contains additional attribute definitions that are specific to the subclass.

When a new service class is defined that is a subclass of an existing service class, the new service class retains all of the attributes defined in its superclass. Additional attributes may be defined that are specific to the new service class. In other words, the mechanism for adding new attributes to some of the instances of an existing service class is to create a new service class that is a subclass of the existing service class.

If a Service Class UUID is exposed in the SDP database of a product, then the product containing the SDP record shall comply with the specification which defines the service corresponding to the UUID.



2.4.1 A printer service class example

A color postscript printer with duplex capability might conform to 4 ServiceClass definitions and have a ServiceClassIDList with UUIDs (See [Section 2.5.1.](#)) representing the following ServiceClasses:

DuplexColorPostscriptPrinterServiceClassID,
ColorPostscriptPrinterServiceClassID,
PostscriptPrinterServiceClassID,
PrinterServiceClassID

This example is only illustrative. This is not necessarily a practical printer class hierarchy.

2.5 SEARCHING FOR SERVICES

The Service Search transaction allows a client to retrieve the service record handles for particular service records based on the values of attributes contained within those service records. Once an SDP Client has a service record handle, it can request the values of specific attributes.

The capability search for service records based on the values of arbitrary attributes is not provided. Rather, the capability is provided to search only for attributes whose values are Universally Unique Identifiers¹ (UUIDs). Important attributes of services that can be used to search for a service are represented as UUIDs.

2.5.1 UUID

A UUID is a universally unique identifier that is expected to be unique across all space and all time (more precisely, the probability of independently-generated UUIDs being the same is negligible). UUIDs can be independently created in a distributed fashion. No central registry of assigned UUIDs is required. A UUID is a 128-bit value.

To reduce the burden of storing and transferring 128-bit UUID values, a range of UUID values has been pre-allocated for assignment to often-used, registered purposes. The first UUID in this pre-allocated range is known as the Bluetooth_Base_UUID and has the value 00000000-0000-1000-8000-00805F9B34FB. UUID values in the pre-allocated range have aliases that are represented as 16-bit or 32-bit values. These aliases are often called 16-bit and 32-bit UUIDs, but each actually represents a 128-bit UUID value.

1. The format of UUIDs is specified in ITU-T Rec. X.667(10/2012), alternatively known as ISO/IEC 9834-8:2014.



The full 128-bit value of a 16-bit or 32-bit UUID may be computed by a simple arithmetic operation.

$$128_bit_value = 16_bit_value * 2^{96} + Bluetooth_Base_UUID$$

$$128_bit_value = 32_bit_value * 2^{96} + Bluetooth_Base_UUID$$

A 16-bit UUID may be converted to 32-bit UUID format by zero-extending the 16-bit value to 32-bits. An equivalent method is to add the 16-bit UUID value to a zero-valued 32-bit UUID.

Note: Two 16-bit UUIDs may be compared directly, as may two 32-bit UUIDs or two 128-bit UUIDs. If two UUIDs of differing sizes are to be compared, the shorter UUID must be converted to the longer UUID format before comparison.

2.5.2 Service search patterns

A service search pattern is a list of UUIDs used to locate matching service records. A service search pattern matches a service record if each and every UUID in the service search pattern is contained within any of the service record's attribute values. The UUIDs need not be contained within any specific attributes or in any particular order within the service record. The service search pattern matches if the UUIDs it contains constitute a subset of the UUIDs in the service record's attribute values. The only time a service search pattern does not match a service record is if the service search pattern contains at least one UUID that is not contained within the service record's attribute values. A valid service search pattern shall contain at least one UUID.

2.6 BROWSING FOR SERVICES

Normally, a client searches for services based on some desired characteristic(s) (represented by a UUID) of the services. However, there are times when it is desirable to discover which types of services are described by an SDP Server's service records without any a priori information about the services. This process of looking for any offered services is termed browsing. In SDP, the mechanism for browsing for services is based on an attribute shared by all service classes. This attribute is called the BrowseGroupList attribute. The value of this attribute contains a list of UUIDs. Each UUID represents a browse group with which a service may be associated for the purpose of browsing.

When a client desires to browse an SDP Server's services, it creates a service search pattern containing the UUID that represents the root browse group. All services that may be browsed at the top level are made members of the root browse group by having the root browse group's UUID as a value within the BrowseGroupList attribute.

Normally, if an SDP Server has relatively few services, all of its services will be placed in the root browse group. However, the services offered by an SDP



Server may be organized in a browse group hierarchy, by defining additional browse groups below the root browse group. Each of these additional browse groups is described by a service record with a service class of BrowseGroupDescriptor.

A browse group descriptor service record defines a new browse group by means of its Group ID attribute. In order for a service contained in one of these newly defined browse groups to be browseable, the browse group descriptor service record that defines the new browse group must in turn be browseable. The hierarchy of browseable services that is provided by the use of browse group descriptor service records allows the services contained in an SDP Server to be incrementally browsed and is particularly useful when the SDP Server contains many service records.

2.6.1 Example service browsing hierarchy

Figure 2.5 illustrates a fictitious service browsing hierarchy that illuminates the manner in which browse group descriptors are used. Browse group descriptor service records are identified with (G); other service records with (S).

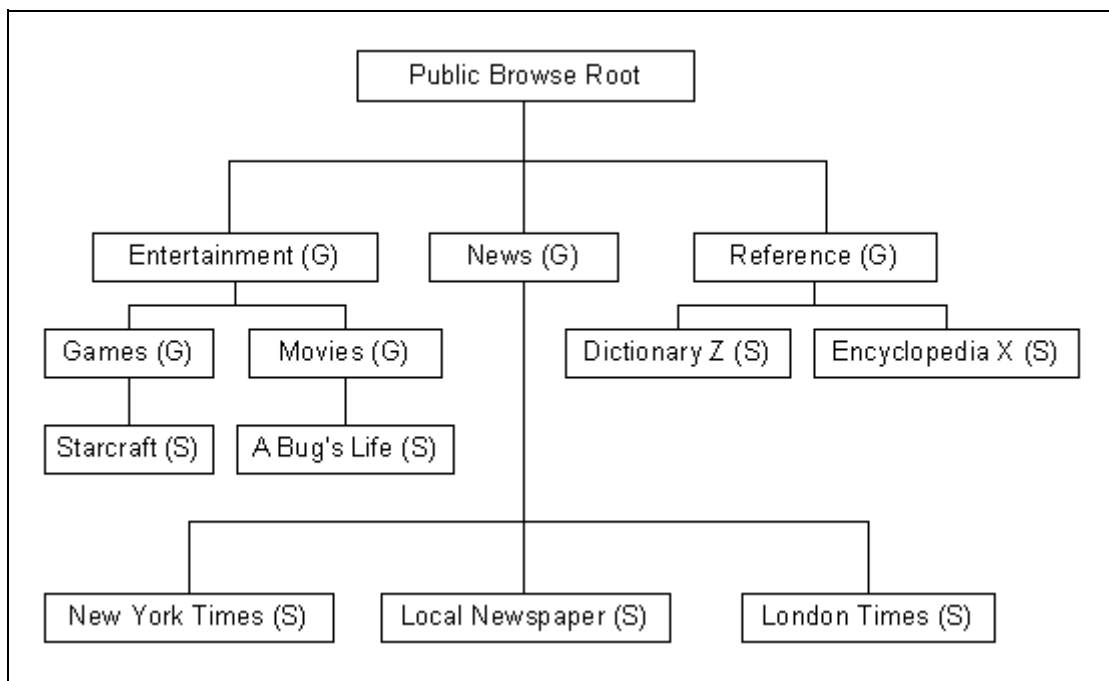


Figure 2.5: Service browsing hierarchy



Table 2.1 shows the services records and service attributes necessary to implement the browse hierarchy.

Service Name	Service Class	Attribute Name	Attribute Value
Entertainment	BrowseGroupDescriptor	BrowseGroupList	PublicBrowseRoot
		GroupID	EntertainmentID
News	BrowseGroupDescriptor	BrowseGroupList	PublicBrowseRoot
		GroupID	NewsID
Reference	BrowseGroupDescriptor	BrowseGroupList	PublicBrowseRoot
		GroupID	ReferenceID
Games	BrowseGroupDescriptor	BrowseGroupList	EntertainmentID
		GroupID	GamesID
Movies	BrowseGroupDescriptor	BrowseGroupList	EntertainmentID
		GroupID	MoviesID
Starcraft	Video Game Class ID	BrowseGroupList	GamesID
A Bug's Life	Movie Class ID	BrowseGroupList	MovieID
Dictionary Z	Dictionary Class ID	BrowseGroupList	ReferenceID
Encyclopedia X	Encyclopedia Class ID	BrowseGroupList	ReferenceID
New York Times	Newspaper ID	BrowseGroupList	NewspaperID
London Times	Newspaper ID	BrowseGroupList	NewspaperID
Local Newspaper	Newspaper ID	BrowseGroupList	NewspaperID

Table 2.1: Service browsing hierarchy



3 DATA REPRESENTATION

Attribute values can contain information of various types with arbitrary complexity; thus enabling an attribute list to be generally useful across a wide variety of service classes and environments.

SDP defines a simple mechanism to describe the data contained within an attribute ID, attribute ID range, and attribute value. The primitive construct used is the data element.

3.1 DATA ELEMENT

A data element is a typed data representation. It consists of two fields: a header field and a data field. The header field, in turn, is composed of two parts: a type descriptor and a size descriptor. The data is a sequence of bytes whose length is specified in the size descriptor (described in [Section 3.3](#)) and whose meaning is (partially) specified by the type descriptor.

3.2 DATA ELEMENT TYPE DESCRIPTOR

A data element type is represented as a 5-bit type descriptor. The type descriptor is contained in the most significant (high-order) 5 bits of the first byte of the data element header. The following types have been defined.

Type Descriptor Value	Valid Size Descriptor Values	Type Description
0	0	Nil, the null type
1	0, 1, 2, 3, 4	Unsigned Integer
2	0, 1, 2, 3, 4	Signed two's-complement integer
3	1, 2, 4	UUID, a universally unique identifier
4	5, 6, 7	Text string
5	0	Boolean (see below)
6	5, 6, 7	Data element sequence, a data element whose data field is a sequence of data elements
7	5, 6, 7	Data element alternative, data element whose data field is a sequence of data elements from which one data element is to be selected.
8	5, 6, 7	URL, a uniform resource locator
Other		Reserved for future use

Table 3.1: Data element



For the boolean type, false shall be represented by the value 0 and true shall be represented by the value 1. Any other value received shall be accepted as representing true.

3.3 DATA ELEMENT SIZE DESCRIPTOR

The data element size descriptor is represented as a 3-bit size index followed by 0, 8, 16, or 32 bits. The size index is contained in the least significant (low-order) 3 bits of the first byte of the data element header. The size index is encoded as follows.

Size Index	Additional bits	Data Size
0	0	1 byte. Exception: if the data element type is nil, the data size is 0 bytes.
1	0	2 bytes
2	0	4 bytes
3	0	8 bytes
4	0	16 bytes
5	8	The data size is contained in the additional 8 bits, which are interpreted as an unsigned integer.
6	16	The data size is contained in the additional 16 bits, which are interpreted as an unsigned integer.
7	32	The data size is contained in the additional 32 bits, which are interpreted as an unsigned integer.

Table 3.2: Data element size



3.4 DATA ELEMENT EXAMPLES

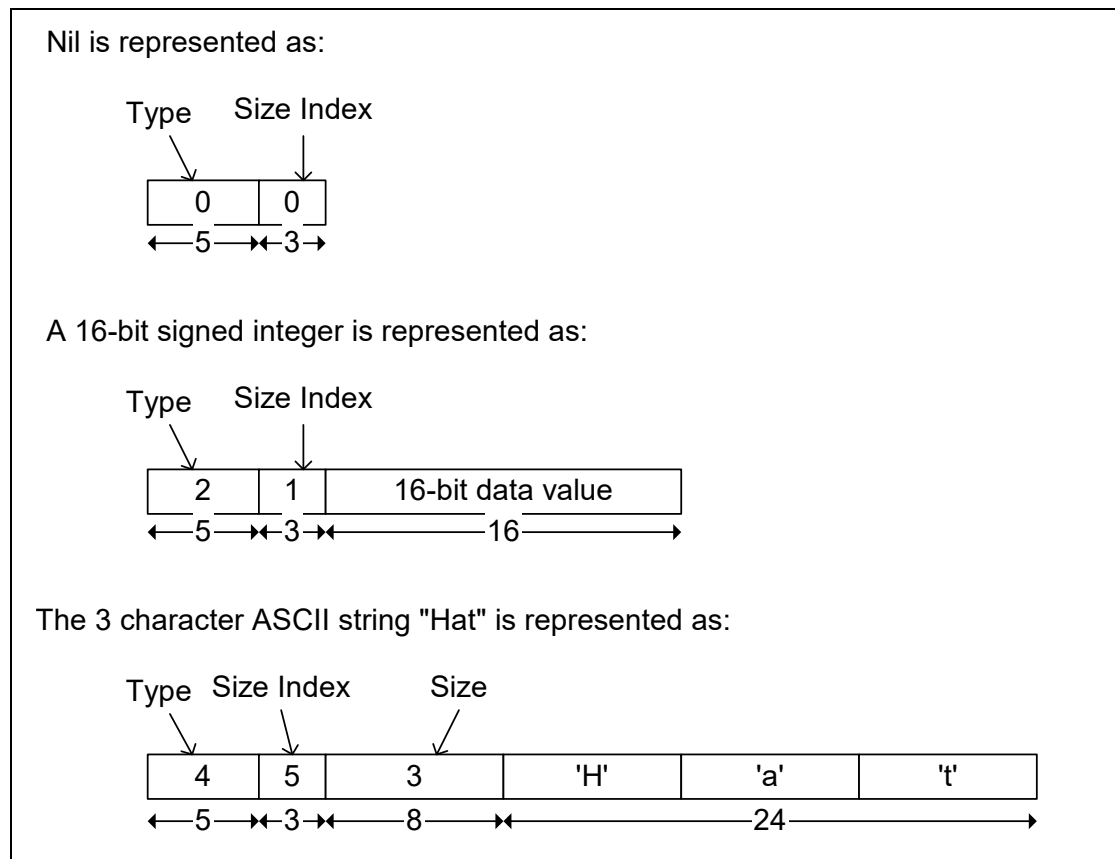


Figure 3.1: Data element



4 PROTOCOL DESCRIPTION

SDP is a simple protocol with minimal requirements on the underlying transport. It can function over a reliable packet transport (or even unreliable, if the client implements timeouts and repeats requests as necessary).

SDP uses a request/response model where each transaction consists of one request protocol data unit (PDU) and one response PDU. In the case where SDP is used with the Bluetooth L2CAP transport protocol, no more than one SDP request PDU per connection to a given SDP Server shall be outstanding at a given instant. In other words, a client shall wait for a response to its current request before issuing another request on the same L2CAP connection. Limiting SDP to sending one unacknowledged request PDU provides a simple form of flow control.

The protocol examples found in [Appendix B](#) could be helpful in understanding the protocol transactions.

4.1 TRANSFER BYTE ORDER

The Service Discovery protocol shall transfer multiple-byte fields in standard network byte order (big-endian), with more significant (high-order) bytes being transferred before less-significant (low-order) bytes.

4.2 PROTOCOL DATA UNIT FORMAT

Every SDP PDU consists of a PDU header followed by PDU-specific parameters. The header contains three fields: a PDU ID, a Transaction ID, and a ParameterLength. Each of these header fields is described here. Parameters may include a continuation state parameter, described below; PDU-specific parameters for each PDU type are described later in separate PDU descriptions.

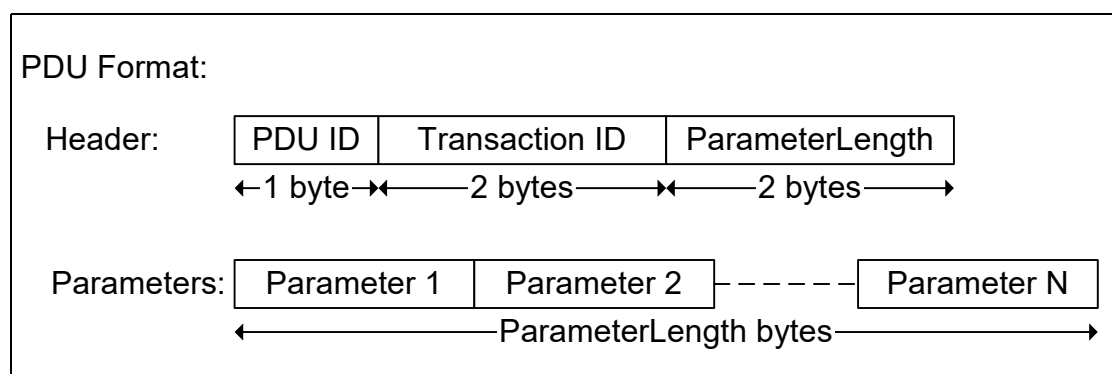


Figure 4.1: Protocol Data Unit format



PDU ID:

Size: 1 Byte

Value	Parameter Description
N	The PDU ID field identifies the type of PDU. I.e. its meaning and the specific parameters.
0x01	SDP_ERROR_RSP
0x02	SDP_SERVICE_SEARCH_REQ
0x03	SDP_SERVICE_SEARCH_RSP
0x04	SDP_SERVICE_ATTR_REQ
0x05	SDP_SERVICE_ATTR_RSP
0x06	SDP_SERVICE_SEARCH_ATTR_REQ
0x07	SDP_SERVICE_SEARCH_ATTR_RSP
All other values	Reserved for future use

TransactionID:

Size: 2 Bytes

Value	Parameter Description
N	The TransactionID field uniquely identifies request PDUs and is used to match response PDUs to request PDUs. The SDP Client can choose any value for a request's TransactionID provided that it is different from all outstanding requests. The TransactionID value in response PDUs is required to be the same as the request that is being responded to. Range: 0x0000 to 0xFFFF

ParameterLength:

Size: 2 Bytes

Value	Parameter Description
N	The ParameterLength field specifies the length (in bytes) of all parameters contained in the PDU. Range: 0x0000 to 0xFFFF

4.3 PARTIAL RESPONSES AND CONTINUATION STATE

Some SDP requests may require responses that are larger than can fit in a single response PDU. In this case, the SDP Server shall generate a partial response along with a continuation state parameter. The continuation state parameter can be supplied by the client in a subsequent request to retrieve the next portion of the complete response. The continuation state parameter is a variable length field whose first byte contains the number of additional bytes of continuation information in the field (InfoLength).

The format of the continuation information is not standardized among SDP Servers. Each continuation state parameter is meaningful only to the SDP Server that generated it. The SDP Server should not expose any sensitive information, such as internal data structures, in the continuation state



parameter. The SDP Server should validate a continuation state parameter supplied by the client before using it.

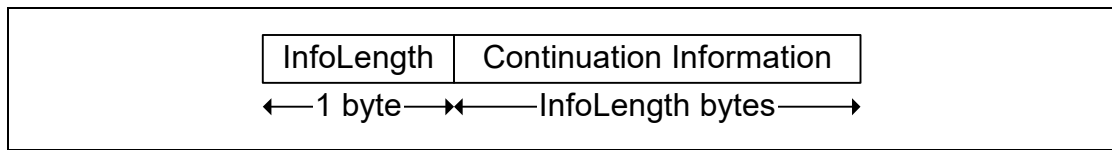


Figure 4.2: Continuation state format

After a client receives a partial response and the accompanying continuation state parameter, it can re-issue the original request (with a new transaction ID) and include the continuation state in the new request indicating to the server that the remainder of the original response is desired. The maximum allowable value of the InfoLength field is 16 (0x10).

Unless otherwise stated in a PDU response specification, an SDP Server may split a response at any arbitrary boundary when it generates a partial response. The SDP Server may select the boundary based on the contents of the reply, but is not required to do so. Therefore, length fields give the lengths as measured in the complete assembled record, not the length of the fields in the partial segment. When a service record is segmented into partial responses all attribute list values are relative to the complete record, not relevant to the partial record.

4.4 ERROR HANDLING

Each transaction consists of a request and a response PDU. Generally, each type of request PDU has a corresponding type of response PDU. However, if the server determines that a request is improperly formatted or for any reason the server cannot respond with the appropriate PDU type, it shall respond with an SDP_ERROR_RSP PDU.

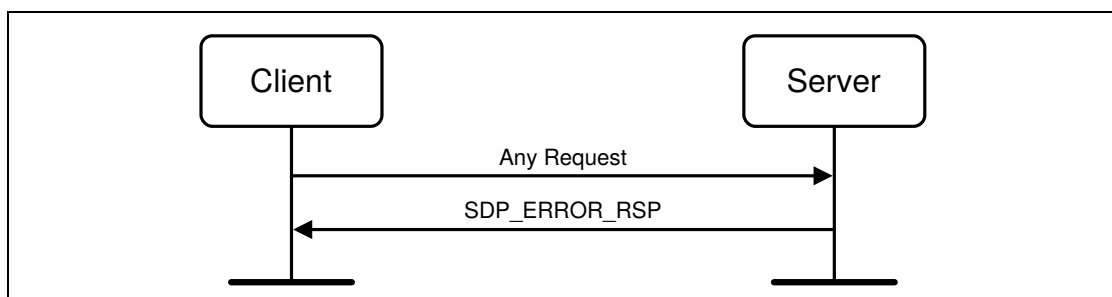


Figure 4.3: Error handling

4.4.1 SDP_ERROR_RSP PDU

PDU Type	PDU ID	Parameters
SDP_ERROR_RSP	0x01	ErrorCode



Description:

The SDP Server generates this PDU type in response to an improperly formatted request PDU or when the SDP Server, for whatever reason, cannot generate an appropriate response PDU.

PDU parameters:

ErrorCode:

Size: 2 Bytes

Value	Parameter Description
N	The ErrorCode identifies the reason that an SDP_ERROR_RSP PDU was generated.
0x0001	Invalid/unsupported SDP version
0x0002	Invalid Service Record Handle
0x0003	Invalid request syntax
0x0004	Invalid PDU Size
0x0005	Invalid Continuation State
0x0006	Insufficient Resources to satisfy Request
All other values	Reserved for future use

Note: Invalid PDU size should be used, for example, if an incoming request PDU's length is inconsistent with the specification of that request PDU or the length parameter of an incoming request PDU is inconsistent with that request PDU's actual contents.

4.5 SERVICE SEARCH TRANSACTION

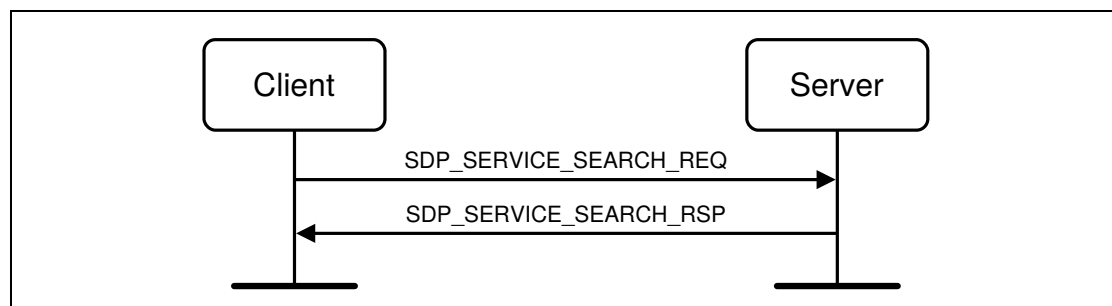


Figure 4.4: Service Search transaction



4.5.1 SDP_SERVICE_SEARCH_REQ PDU

PDU Type	PDU ID	Parameters
SDP_SERVICE_SEARCH_REQ	0x02	ServiceSearchPattern, MaximumServiceRecordCount, ContinuationState

Description:

The SDP Client generates an SDP_SERVICE_SEARCH_REQ to locate service records that match the service_search pattern given as the first parameter of the PDU. Upon receipt of this request, the SDP Server shall examine its service record data base and return an SDP_SERVICE_SEARCH_RSP containing the service record handles of service records within its SDP database that match the given service search pattern, or an appropriate error response.

No mechanism is provided to request information for all service records. However, see [Section 2.6](#) for a description of a mechanism that permits browsing for non-specific services without a priori knowledge of the services.

PDU parameters:

ServiceSearchPattern:

Size: Varies

Value	Parameter Description
Data Element Sequence	The ServiceSearchPattern is a data element sequence where each element in the sequence is a UUID. The sequence shall contain at least one UUID. The maximum number of UUIDs in the sequence is 12 ¹ . The list of UUIDs constitutes a service search pattern.

1. The value of 12 has been selected as a compromise between the scope of a service search and the size of a search request PDU. It is not expected that more than 12 UUIDs will be useful in a service search pattern.

MaximumServiceRecordCount:

Size: 2 Bytes

Value	Parameter Description
N	MaximumServiceRecordCount is a 16-bit count specifying the maximum number of service record handles to be returned in the response(s) to this request. The SDP Server shall not return more handles than this value specifies. If more than N service records match the request, the SDP Server determines which matching service record handles to return in the response(s). Range: 0x0001 to 0xFFFF



ContinuationState:

Size: 1 to 17 Bytes

Value	Parameter Description
Continuation State	ContinuationState consists of an 8-bit count, N, of the number of bytes of continuation state information, followed by the N bytes of continuation state information that were returned in a previous response from the server. N is required to be less than or equal to 16. If no continuation state is to be provided in the request, N is set to 0.

4.5.2 SDP_SERVICE_SEARCH_RSP PDU

PDU Type	PDU ID	Parameters
SDP_SERVICE_SEARCH_RSP	0x03	TotalServiceRecordCount, CurrentServiceRecordCount, ServiceRecordHandleList, ContinuationState

Description:

The SDP Server generates an SDP_SERVICE_SEARCH_RSP upon receipt of a valid SDP_SERVICE_SEARCH_REQ. The response contains a list of service record handles for service records that match the service search pattern given in the request. If a partial response is generated, it shall only contain complete service record handles; a service record handle value shall not be split across multiple PDUs.

PDU parameters:

TotalServiceRecordCount:

Size: 2 Bytes

Value	Parameter Description
N	The TotalServiceRecordCount is an integer containing the number of service records that match the requested service search pattern. If no service records match the requested service search pattern, this parameter is set to 0. N should never be larger than the MaximumServiceRecordCount value specified in the SDP_SERVICE_SEARCH_REQ. When multiple partial responses are used, each partial response contains the same value for TotalServiceRecordCount. Range: 0x0000 to 0xFFFF

CurrentServiceRecordCount:

Size: 2 Bytes

Value	Parameter Description
N	The CurrentServiceRecordCount is an integer indicating the number of service record handles that are contained in the next parameter. If no service records match the requested service search pattern, this parameter is set to 0. N should never be larger than the TotalServiceRecordCount value specified in the current response. Range: 0x0000 to 0xFFFF



ServiceRecordHandleList: Size: (CurrentServiceRecordCount*4) Bytes

Value	Parameter Description
List of 32-bit handles	The ServiceRecordHandleList contains a list of service record handles. The number of handles in the list is given in the CurrentServiceRecordCount parameter. Each of the handles in the list refers to a service record that matches the requested service search pattern. This list of service record handles does not have the format of a data element. It contains no header fields, only the 32-bit service record handles.

ContinuationState: Size: 1 to 17 Bytes

Value	Parameter Description
Continuation State	ContinuationState consists of an 8-bit count, N, of the number of bytes of continuation state information, followed by the N bytes of continuation information. If the current response is complete, this parameter consists of a single byte with the value 0. If a partial response is contained in the PDU, the ContinuationState parameter may be supplied in a subsequent request to retrieve the remainder of the response.

4.6 SERVICE ATTRIBUTE TRANSACTION

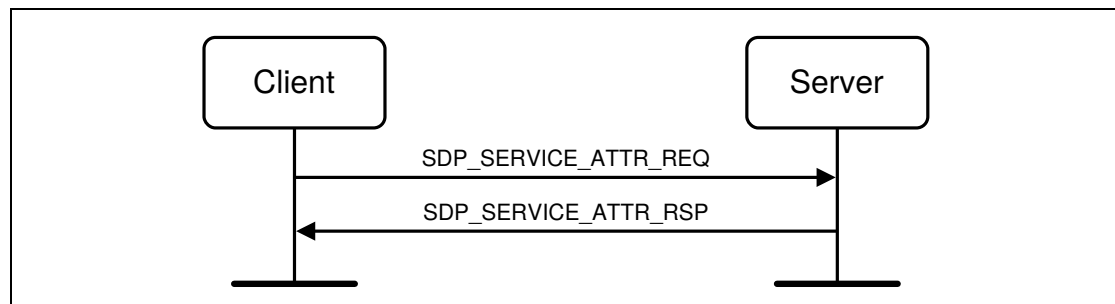


Figure 4.5: Service Attribute transaction

4.6.1 SDP_SERVICE_ATTR_REQ PDU

PDU Type	PDU ID	Parameters
SDP_SERVICE_ATTR_REQ	0x04	ServiceRecordHandle, MaximumAttributeByteCount, AttributeIDList, ContinuationState

Description:

The SDP Client generates an SDP_SERVICE_ATTR_REQ to retrieve specified attribute values from a specific service record. The service record handle of the desired service record and a list of desired attribute IDs to be retrieved from that service record are supplied as parameters.



Command parameters:

ServiceRecordHandle:

Size: 4 Bytes

Value	Parameter Description
32-bit handle	The ServiceRecordHandle parameter specifies the service record from which attribute values are to be retrieved. The handle is obtained via a previous Service Search transaction.

MaximumAttributeByteCount:

Size: 2 Bytes

Value	Parameter Description
N	MaximumAttributeByteCount specifies the maximum number of bytes of attribute data to be returned in the response to this request. The SDP Server shall not return more than N bytes of attribute data in the response PDU. If the requested attributes require more than N bytes, the SDP Server determines how to segment the list. In this case the client may request each successive segment by issuing a request containing the continuation state that was returned in the previous response PDU. In the case where multiple response PDUs are needed to return the attribute data, MaximumAttributeByteCount specifies the maximum size of the portion of the attribute data contained in each response PDU. Range: 0x0007 to 0xFFFF

AttributeIDList:

Size: Varies

Value	Parameter Description
Data Element Sequence	The AttributeIDList is a data element sequence where each element in the list is either an attribute ID or a range of attribute IDs. Each attribute ID is encoded as a 16-bit unsigned integer data element. Each attribute ID range is encoded as a 32-bit unsigned integer data element, where the high order 16 bits are interpreted as the beginning attribute ID of the range and the low order 16 bits are interpreted as the ending attribute ID of the range. The attribute IDs contained in the AttributeIDList shall be listed in ascending order without duplication of any attribute ID values. Note: All attributes can be requested by specifying the range 0x0000 to 0xFFFF.

ContinuationState:

Size: 1 to 17 Bytes

Value	Parameter Description
Continuation State	ContinuationState consists of an 8-bit count, N, of the number of bytes of continuation state information, followed by the N bytes of continuation state information that were returned in a previous response from the server. N shall be less than or equal to 16. If no continuation state is to be provided in the request, N shall be set to 0.



4.6.2 SDP_SERVICE_ATTR_RSP PDU

PDU Type	PDU ID	Parameters
SDP_SERVICE_ATTR_RSP	0x05	AttributeListByteCount, AttributeList, ContinuationState

Description:

The SDP Server generates an SDP_SERVICE_ATTR_RSP upon receipt of a valid SDP_SERVICE_ATTR_REQ. The response contains a list of attributes (both attribute ID and attribute value) from the requested service record.

PDU parameters:

AttributeListByteCount: *Size: 2 Bytes*

Value	Parameter Description
N	The AttributeListByteCount contains a count of the number of bytes in the AttributeList parameter. N shall never be larger than the MaximumAttributeByteCount value specified in the SDP_SERVICE_ATTR_REQ. Range: 0x0002 to 0xFFFF

AttributeList: *Size: AttributeListByteCount*

Value	Parameter Description
Data Element Sequence	The AttributeList is a data element sequence containing attribute IDs and attribute values. The first element in the sequence contains the attribute ID of the first attribute to be returned. The second element in the sequence contains the corresponding attribute value. Successive pairs of elements in the list contain additional attribute ID and value pairs. Only attributes that have non-null values within the service record and whose attribute IDs were specified in the SDP_SERVICE_ATTR_REQ are contained in the AttributeList. Neither an attribute ID nor an attribute value is placed in the AttributeList for attributes in the service record that have no value. The attributes are listed in ascending order of attribute ID value.

ContinuationState: *Size: 1 to 17 Bytes*

Value	Parameter Description
Continuation State	ContinuationState consists of an 8-bit count, N, of the number of bytes of continuation state information, followed by the N bytes of continuation information. If the current response is complete, this parameter consists of a single byte with the value 0. If a partial response is given, the ContinuationState parameter may be supplied in a subsequent request to retrieve the remainder of the response.



If a partial response is generated, the response may be arbitrarily segmented into multiple PDUs (subject to the constraint imposed by the allowed range of values for the AttributeListByteCount parameter). Attributes in partial responses are not required to be completely within a single PDU.

4.7 SERVICE SEARCH ATTRIBUTE TRANSACTION

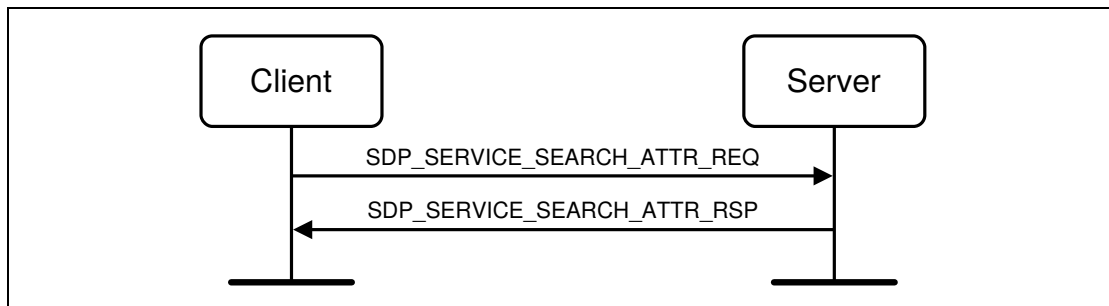


Figure 4.6: Service Search Attribute transaction

4.7.1 SDP_SERVICE_SEARCH_ATTR_REQ PDU

PDU Type	PDU ID	Parameters
SDP_SERVICE_SEARCH_ATTR_REQ	0x06	ServiceSearchPattern, MaximumAttributeByteCount, AttributeIDList, ContinuationState

Description:

The SDP_SERVICE_SEARCH_ATTR_REQ transaction combines the capabilities of the SDP_SERVICE_SEARCH_REQ and the SDP_SERVICE_ATTR_REQ into a single request. As parameters, it contains both a service search pattern and a list of attributes to be retrieved from service records that match the service search pattern. The SDP_SERVICE_SEARCH_ATTR_REQ and its response are more complex and can require more bytes than separate Service Search and Service Attribute transactions. However, using SDP_SERVICE_SEARCH_ATTR_REQ can reduce the total number of SDP transactions, particularly when retrieving multiple service records.

The service record handle for each service record is contained in the ServiceRecordHandle attribute of that service and may be requested along with other attributes.



PDU parameters:

ServiceSearchPattern:

Size: Varies

Value	Parameter Description
Data Element Sequence	The ServiceSearchPattern is a data element sequence where each element in the sequence is a UUID. The sequence shall contain at least one UUID. The maximum number of UUIDs in the sequence is 12 ¹ . The list of UUIDs constitutes a service search pattern.

1. The value of 12 has been selected as a compromise between the scope of a service search and the size of a search request PDU. It is not expected that more than 12 UUIDs will be useful in a service search pattern.

MaximumAttributeByteCount:

Size: 2 Bytes

Value	Parameter Description
N	MaximumAttributeByteCount specifies the maximum number of bytes of attribute data to be returned in the response to this request. The SDP Server shall not return more than N bytes of attribute data in the response PDU. If the requested attributes require more than N bytes, the SDP Server determines how to segment the list. In this case the client may request each successive segment by issuing a request containing the continuation state that was returned in the previous response PDU. In the case where multiple response PDUs are needed to return the attribute data, MaximumAttributeByteCount specifies the maximum size of the portion of the attribute data contained in each response PDU. Range: 0x0007 to 0xFFFF

AttributeIDList:

Size: Varies

Value	Parameter Description
Data Element Sequence	The AttributeIDList is a data element sequence where each element in the list is either an attribute ID or a range of attribute IDs. Each attribute ID is encoded as a 16-bit unsigned integer data element. Each attribute ID range is encoded as a 32-bit unsigned integer data element, where the high order 16 bits are interpreted as the beginning attribute ID of the range and the low order 16 bits are interpreted as the ending attribute ID of the range. The attribute IDs contained in the AttributeIDList shall be listed in ascending order without duplication of any attribute ID values. Note: All attributes may be requested by specifying the range 0x0000 to 0xFFFF.

ContinuationState:

Size: 1 to 17 Bytes

Value	Parameter Description
Continuation State	ContinuationState consists of an 8-bit count, N, of the number of bytes of continuation state information, followed by the N bytes of continuation state information that were returned in a previous response from the server. N shall be less than or equal to 16. If no continuation state is to be provided in the request, N shall set to 0.



4.7.2 SDP_SERVICE_SEARCH_ATTR_RSP PDU

PDU Type	PDU ID	Parameters
SDP_SERVICE_SEARCH_ATTR_RSP	0x07	AttributeListsByteCount, AttributeLists, ContinuationState

Description:

The SDP Server generates an SDP_SERVICE_SEARCH_ATTR_RSP upon receipt of a valid SDP_SERVICE_SEARCH_ATTR_REQ. The response contains a list of attributes (both attribute ID and attribute value) from the service records that match the requested service search pattern.

PDU parameters:

AttributeListsByteCount: *Size: 2 Bytes*

Value	Parameter Description
N	The AttributeListsByteCount contains a count of the number of bytes in the AttributeLists parameter. N shall never be larger than the MaximumAttributeByteCount value specified in the SDP_SERVICE_SEARCH_ATTR_REQ. Range: 0x0002 to 0xFFFF

AttributeLists: *Size: Varies*

Value	Parameter Description
Data Element Sequence	The AttributeLists is a data element sequence where each element in turn is a data element sequence representing an attribute list. Each attribute list contains attribute IDs and attribute values from one service record. The first element in each attribute list contains the attribute ID of the first attribute to be returned for that service record. The second element in each attribute list contains the corresponding attribute value. Successive pairs of elements in each attribute list contain additional attribute ID and value pairs. Only attributes that have non-null values within the service record and whose attribute IDs were specified in the SDP_SERVICE_SEARCH_ATTR_REQ are contained in the AttributeLists. Neither an attribute ID nor attribute value is placed in AttributeLists for attributes in the service record that have no value. Within each attribute list, the attributes are listed in ascending order of attribute ID value.

**ContinuationState:****Size: 1 to 17 Bytes**

Value	Parameter Description
Continuation State	ContinuationState consists of an 8-bit count, N, of the number of bytes of continuation state information, followed by the N bytes of continuation information. If the current response is complete, this parameter consists of a single byte with the value 0. If a partial response is given, the ContinuationState parameter may be supplied in a subsequent request to retrieve the remainder of the response.

If a partial response is generated, the response may be arbitrarily segmented into multiple PDUs (subject to the constraint imposed by the allowed range of values for the AttributeListByteCount parameter). Attributes in partial responses are not required to be completely within a single PDU.



5 SERVICE ATTRIBUTE DEFINITIONS

The service classes and attributes contained in this document are necessarily a partial list of the service classes and attributes supported by SDP. Only service classes that directly support the SDP Server are included in this document. Additional service classes will be defined in other documents and possibly in future revisions of this document. Also, it is expected that additional attributes will be discovered that are applicable to a broad set of services; these may be added to the list of Universal attributes in future revisions of this document.

5.1 UNIVERSAL ATTRIBUTE DEFINITIONS

Universal attributes are those service attributes whose definitions are common to all service records. This does not mean that every service record contains values for all of these service attributes. However, if a service record has a service attribute with an attribute ID allocated to a universal attribute, the attribute value shall conform to the universal attribute's definition.

Only two attributes are required to exist in every service record instance. They are the ServiceRecordHandle (attribute ID 0x0000) and the ServiceClassIDList (attribute ID 0x0001). All other service attributes are optional within a service record.

5.1.1 ServiceRecordHandle attribute

Attribute Name	Attribute ID	Attribute Value Type
ServiceRecordHandle	0x0000	32-bit unsigned integer

Description:

A service record handle is a 32-bit number that uniquely identifies each service record within an SDP Server. In general, each handle is unique only within each SDP Server. If SDP Server S1 and SDP Server S2 both contain identical service records (representing the same service), the service record handles used to reference these identical service records are completely independent. The handle used to reference the service on S1 will, in general, be meaningless if presented to S2. Service record handle values 0x00000001 to 0x0000FFFF are reserved for future use.

5.1.2 ServiceClassIDList attribute

Attribute Name	Attribute ID	Attribute Value Type
ServiceClassIDList	0x0001	Data Element Sequence



Description:

The ServiceClassIDList attribute consists of a data element sequence in which each data element is a UUID representing the service classes that a given service record conforms to. The UUIDs should be listed in order from the most specific class to the most general class unless otherwise specified by the profile specifications defining the service classes. When profiles are enhanced, any new UUIDs should be added at the end of the ServiceClassIDList (after any existing UUIDs) to minimize interoperability issues with legacy implementations. The ServiceClassIDList shall contain at least one service class UUID.

5.1.3 ServiceRecordState attribute

Attribute Name	Attribute ID	Attribute Value Type
ServiceRecordState	0x0002	32-bit unsigned integer

Description:

The ServiceRecordState is a 32-bit integer that is used to facilitate caching of Service Attributes. If this attribute is contained in a service record, its value shall be changed when any other attribute value is added to, deleted from or changed within the service record. This permits a client to check the value of this single attribute. If its value has not changed since it was last checked, the client knows that no other attribute values within the service record have changed.

5.1.4 ServiceID attribute

Attribute Name	Attribute ID	Attribute Value Type
ServiceID	0x0003	UUID

Description:

The ServiceID is a UUID that universally and uniquely identifies the service instance described by the service record. This service attribute is particularly useful if the same service is described by service records in more than one SDP Server.

5.1.5 ProtocolDescriptorList attribute

Attribute Name	Attribute ID	Attribute Value Type
ProtocolDescriptorList	0x0004	Data Element Sequence or Data Element Alternative

**Description:**

The ProtocolDescriptorList attribute describes one or more protocol stacks that can be used to gain access to the service described by the service record.

If the ProtocolDescriptorList describes a single stack, it takes the form of a data element sequence in which each element of the sequence is a protocol descriptor. Each protocol descriptor is, in turn, a data element sequence whose first element is a UUID identifying the protocol and whose successive elements are protocol-specific parameters. Potential protocol-specific parameters are a protocol version number and a connection-port number. The protocol descriptors are listed in order from the lowest layer protocol to the highest layer protocol used to gain access to the service.

If it is possible for more than one kind of protocol stack to be used to gain access to the service, the ProtocolDescriptorList takes the form of a data element alternative where each member is a data element sequence as described in the previous paragraph.

Protocol descriptors

A protocol descriptor identifies a communications protocol and provides protocol-specific parameters. A protocol descriptor is represented as a data element sequence. The first data element in the sequence shall be the UUID that identifies the protocol. Additional data elements optionally provide protocol-specific information, such as the L2CAP protocol/service multiplexer (PSM) and the RFCOMM server channel number (CN) shown below.

ProtocolDescriptorList examples

These examples are intended to be illustrative. The parameter formats for each protocol are not defined within the specification.

In the first two examples, it is assumed that a single RFCOMM instance exists on top of the L2CAP layer. In this case, the L2CAP protocol specific information (PSM) points to the single instance of RFCOMM. In the last example, two different and independent RFCOMM instances are available on top of the L2CAP layer. In this case, the L2CAP protocol specific information (PSM) points to a distinct identifier that distinguishes each of the RFCOMM instances. See the L2CAP specification ([\[Vol 3\] Part A, Section 4.2](#)) for the range of allowed PSM values.



IrDA-like printer

((L2CAP, PSM=RFCOMM), (RFCOMM, CN=1), (PostscriptStream))

IP Network Printing

((L2CAP, PSM=RFCOMM), (RFCOMM, CN=2), (PPP), (IP), (TCP), (IPP))

Synchronization Protocol Descriptor Example

((L2CAP, PSM=0x1001), (RFCOMM, CN=1), (Obex), (vCal))

((L2CAP, PSM=0x1003), (RFCOMM, CN=1), (Obex), (otherSynchronisationApplication))

5.1.6 AdditionalProtocolDescriptorList attribute

Attribute Name	Attribute ID	Attribute Value Type
AdditionalProtocolDescriptorList	0x000D	Data Element Sequence

Description:

The AdditionalProtocolDescriptorLists attribute contains a sequence of ProtocolDescriptorList-elements. Each element having the same format as the ProtocolDescriptorList described in section 5.1.5. The ordering of the elements is significant and should be specified and fixed in Profiles that make use of this attribute.

The AdditionalProtocolDescriptorLists attribute supports services that require more channels in addition to the service described in Section 5.1.5. If the AdditionalProtocolDescriptorLists attribute is included in a service record, the ProtocolDescriptorList attribute shall be included.

AdditionalProtocolDescriptorList examples

The following is just an illustrative example and is not meant to refer a real specified service or protocols.

Attribute	Attribute Value type	Attribute Value
ProtocolDescriptorList		
ProtocolDescriptor	#0DataElementSequence	
ProtocolID	UUID	L2CAP
Param: PSM	PSM	FooDataProtocol
ProtocolDescriptor	#1DataElementSequence	
ProtocolID	UUID	FooDataProtocol



AdditionalProtocolDescriptorLists

```

ProtocolDescriptorList #0 DataElementSequence
ProtocolDescriptor #0 DataElementSequence
    ProtocolID UUID L2CAP
    Param: PSM PSM FooControlProtocol
ProtocolDescriptor #1DataElementSequence
    ProtocolID UUID FooControlProtocol
    
```

5.1.7 BrowseGroupList attribute

Attribute Name	Attribute ID	Attribute Value Type
BrowseGroupList	0x0005	Data Element Sequence

Description:

The BrowseGroupList attribute consists of a data element sequence in which each element is a UUID that represents a browse group to which the service record belongs. The top-level browse group ID, called PublicBrowseRoot and representing the root of the browsing hierarchy, has the value 00001002-0000-1000-8000-00805F9B34FB (UUID16: 0x1002) from [Assigned Numbers](#).

5.1.8 LanguageBaseAttributeIDList attribute

Attribute Name	Attribute ID	Attribute Value Type
LanguageBaseAttributeIDList	0x0006	Data Element Sequence

Description:

In order to support human-readable attributes for multiple natural languages in a single service record, a base attribute ID is assigned for each of the natural languages used in a service record. The human-readable universal attributes are then defined with an attribute ID offset from each of these base values, rather than with an absolute attribute ID.

The LanguageBaseAttributeIDList attribute is a list in which each member contains a language identifier, a character encoding identifier, and a base attribute ID for each of the natural languages used in the service record. The LanguageBaseAttributeIDList attribute consists of a data element sequence in which each element is a 16-bit unsigned integer. The elements are grouped as triplets (threes).

The first element of each triplet contains an identifier representing the natural language. The language is encoded according to ISO 639:1988 (E/F): “Code for the representation of names of languages”.



The second element of each triplet contains an identifier that specifies a character encoding used for the language. Values for character encoding can be found in IANA's database¹, and have the values that are referred to as MIBEnum values. The recommended character encoding is UTF-8.

The third element of each triplet contains an attribute ID that serves as the base attribute ID for the natural language in the service record. Different service records within a server may use different base attribute ID values for the same language.

The base attribute ID value shall be chosen so that all attributes that are specified as being offset from it (e.g. ServiceName, ServiceDescription, and ProviderName) shall have resulting Attribute IDs that are in the range 0x0100 to 0x01FF or a range specified in another specification as being used for this purpose. The range 0x0100 to 0x01FF shall only be used for this purpose.

To facilitate the retrieval of human-readable universal attributes in a principal language, the base attribute ID value for the primary language supported by a service record shall be 0x0100. Also, if a LanguageBaseAttributeIDList attribute is contained in a service record, the base attribute ID value contained in its first element shall be 0x0100. If one or more human readable attributes are contained in a service record, the LanguageBaseAttributeIDList attribute should be included in that service record.

5.1.9 ServiceInfoTimeToLive attribute

Attribute Name	Attribute ID	Attribute Value Type
ServiceInfoTimeToLive	0x0007	32-bit unsigned integer

Description:

The ServiceTimeToLive attribute is a 32-bit integer that contains the number of seconds for which the information in a service record is expected to remain valid and unchanged. This time interval is measured from the time that the attribute value is retrieved from the SDP Server. This value does not imply a guarantee that the service record will remain available or unchanged. It is simply a hint that a client can use to determine a suitable polling interval to re-validate the service record contents.

5.1.10 ServiceAvailability attribute

Attribute Name	Attribute ID	Attribute Value Type
ServiceAvailability	0x0008	8-bit unsigned integer

1. See <https://www.iana.org/assignments/character-sets/character-sets.xhtml>



Description:

The ServiceAvailability attribute is an 8-bit unsigned integer that represents the relative ability of the service to accept additional clients. A value of 0xFF indicates that the service is not currently in use and is thus fully available, while a value of 0x00 means that the service is not accepting new clients. For services that support multiple simultaneous clients, intermediate values indicate the relative availability of the service on a linear scale.

For example, a service that can accept up to 3 clients should provide ServiceAvailability values of 0xFF, 0xAA, 0x55, and 0x00 when 0, 1, 2, and 3 clients, respectively, are utilizing the service. The value 0xAA is approximately (2/3) * 0xFF and represents 2/3 availability, while the value 0x55 is approximately (1/3)*0xFF and represents 1/3 availability. The availability value is be approximated as

$$(1 - (\text{current_number_of_clients} / \text{maximum_number_of_clients})) * 0xFF$$

When the maximum number of clients is large, this formula must be modified to ensure that ServiceAvailability values of 0x00 and 0xFF are reserved for their defined meanings of unavailability and full availability, respectively.

Note: The maximum number of clients a service can support may vary according to the resources utilized by the service's current clients.

A non-zero value for ServiceAvailability does not guarantee that the service will be available for use. It should be treated as a hint or an approximation of availability status.

5.1.11 BluetoothProfileDescriptorList attribute

Attribute Name	Attribute ID	Attribute Value Type
BluetoothProfileDescriptorList	0x0009	Data Element Sequence

Description:

The BluetoothProfileDescriptorList attribute consists of a data element sequence in which each element is a profile descriptor that contains information about a Bluetooth profile to which the service represented by this service record conforms. Each profile descriptor is a data element sequence whose first element is the UUID assigned to the profile and whose second element is a 16-bit profile version number.

Each version of a profile is assigned a 16-bit unsigned integer profile version number, which consists of two 8-bit fields. The higher-order 8 bits contain the major version number field and the lower-order 8 bits contain the minor version number field. The initial version of each profile has a major version of 1 and a minor version of 0. When upward compatible changes are made to the profile, the minor version number will be incremented. If incompatible changes are made to the profile, the major version number will be incremented.



5.1.12 DocumentationURL attribute

Attribute Name	Attribute ID	Attribute Value Type
DocumentationURL	0x000A	URL

Description:

This attribute is a URL which points to documentation on the service described by a service record.

5.1.13 ClientExecutableURL attribute

Attribute Name	Attribute ID	Attribute Value Type
ClientExecutableURL	0x000B	URL

Description:

This attribute contains a URL that refers to the location of an application that can be used to utilize the service described by the service record. Since different operating environments require different executable formats, a mechanism has been defined to allow this single attribute to be used to locate an executable that is appropriate for the client device's operating environment. In the attribute value URL, the first byte with the value 0x2A (ASCII character '*') is to be replaced by the client application with a string representing the desired operating environment before the URL is to be used.

The list of standardized strings representing operating environments is contained in [Assigned Numbers](#).

For example, assume that the value of the ClientExecutableURL attribute is `http://my.fake/public/*/client.exe`. On a device capable of executing SH3 WindowsCE files, this URL would be changed to `http://my.fake/public/sh3-microsoft-wince/client.exe`. On a device capable of executing Windows 98 binaries, this URL would be changed to `http://my.fake/public/i86-microsoft-win98/client.exe`.

5.1.14 IconURL attribute

Attribute Name	Attribute ID	Attribute Value Type
IconURL	0x000C	URL

Description:

This attribute contains a URL that refers to the location of an icon that can be used to represent the service described by the service record. Since different



hardware devices require different icon formats, a mechanism has been defined to allow this single attribute to be used to locate an icon that is appropriate for the client device. In the attribute value URL, the first byte with the value 0x2A (ASCII character ‘*’) is to be replaced by the client application with a string representing the desired icon format before the URL is to be used.

The list of standardized strings representing icon formats is contained in [Assigned Numbers](#).

For example, assume that the value of the IconURL attribute is `http://my.fake/public/icons/*`. On a device that prefers 24 x 24 icons with 256 colors, this URL would be changed to `http://my.fake/public/icons/24x24x8.png`. On a device that prefers 10 x 10 monochrome icons, this URL would be changed to `http://my.fake/public/icons/10x10x1.png`.

5.1.15 ServiceName attribute

Attribute Name	Attribute ID Offset	Attribute Value Type
ServiceName	0x0000	String

Description:

The ServiceName attribute is a string containing the name of the service represented by a service record. It should be brief and suitable for display with an Icon representing the service. The offset 0x0000 is added to the attribute ID base (contained in the LanguageBaseAttributeIDList attribute) in order to compute the attribute ID for this attribute.

5.1.16 ServiceDescription attribute

Attribute Name	Attribute ID Offset	Attribute Value Type
ServiceDescription	0x0001	String

Description:

This attribute is a string containing a brief description of the service. It should be less than 200 characters in length. The offset 0x0001 is added to the attribute ID base (contained in the LanguageBaseAttributeIDList attribute) in order to compute the attribute ID for this attribute.

5.1.17 ProviderName attribute

Attribute Name	Attribute ID Offset	Attribute Value Type
ProviderName	0x0002	String



Description:

This attribute is a string containing the name of the person or organization providing the service. The offset 0x0002 is added to the attribute ID base (contained in the LanguageBaseAttributeIDList attribute) in order to compute the attribute ID for this attribute.

5.1.18 Reserved universal attribute IDs

Attribute IDs in the range 0x000E to 0x00FF are reserved for future use.

5.2 SERVICEDISCOVERYSERVER SERVICE CLASS ATTRIBUTE DEFINITIONS

This service class describes service record that contains attributes of the service discovery server itself. The attributes listed in this section are only valid if the ServiceClassIDList attribute contains the ServiceDiscoveryServerServiceClassID. All of the universal attributes may be included in service records of the ServiceDiscoveryServer class.

5.2.1 ServiceRecordHandle attribute

Described in the universal attribute definition for ServiceRecordHandle.

Value

A 32-bit integer with the value 0x00000000.

5.2.2 ServiceClassIDList attribute

Described in the universal attribute definition for ServiceClassIDList.

Value

A UUID representing the ServiceDiscoveryServerServiceClassID.

5.2.3 VersionNumberList attribute

Attribute Name	Attribute ID	Attribute Value Type
VersionNumberList	0x0200	Data Element Sequence

Description:

The VersionNumberList is a data element sequence in which each element of the sequence is a version number supported by the SDP Server.



A version number is a 16-bit unsigned integer consisting of two fields. The higher-order 8 bits contain the major version number field and the low-order 8 bits contain the minor version number field. The initial version of SDP has a major version of 1 and a minor version of 0. When upward compatible changes are made to the protocol, the minor version number will be incremented. If incompatible changes are made to SDP, the major version number will be incremented. Therefore, if a client and a server support a common major version number, they can communicate if each uses only features of the specification with a minor version number that is supported by both client and server.

5.2.4 ServiceDatabaseState attribute

Attribute Name	Attribute ID	Attribute Value Type
ServiceDatabaseState	0x0201	32-bit unsigned integer

Description:

The ServiceDatabaseState is a 32-bit integer that is used to facilitate caching of service records. If this attribute exists, its value shall be changed when any of the other service records are added to or deleted from the server's SDP database. If this value has not changed since the last time a client queried its value, the client knows that a) none of the other service records maintained by the SDP Server have been added or deleted; and b) any service record handles acquired from the server are still valid. A client shall query this attribute's value when a connection to the server is established, prior to using any service record handles acquired during a previous connection.

The ServiceDatabaseState attribute does not change when existing service records are modified, including the addition, removal, or modification of service attributes. A service record's ServiceRecordState attribute indicates when that service record is modified.

5.2.5 Reserved attribute IDs

Attribute IDs in the range 0x0202 to 0x02FF are reserved for future use.

5.3 BROWSEGROUPDESCRIPTOR SERVICE CLASS ATTRIBUTE DEFINITIONS

This service class describes the ServiceRecord provided for each BrowseGroupDescriptor service offered on a Bluetooth device. The attributes listed in this section are only valid if the ServiceClassIDList attribute contains the BrowseGroupDescriptorServiceClassID.

Note: All of the universal attributes may be included in service records of the BrowseGroupDescriptor class.



5.3.1 ServiceClassIDList attribute

Described in the universal attribute definition for ServiceClassIDList.

Value

A UUID representing the BrowseGroupDescriptorServiceClassID.

5.3.2 GroupID attribute

Attribute Name	Attribute ID	Attribute Value Type
GroupID	0x0200	UUID

Description:

This attribute contains a UUID that can be used to locate services that are members of the browse group that this service record describes.

5.3.3 Reserved attribute IDs

Attribute IDs in the range 0x0201 to 0x02FF are reserved for future use.



6 SECURITY

In Security Mode 4, SDP should use no security but may use security (an authenticated or unauthenticated link key with encryption). See [\[Vol 3\] Part C, Section 5.2.2](#)).



APPENDIX A BACKGROUND INFORMATION

A.1 SERVICE DISCOVERY

As computing continues to move to a network-centric model, finding and making use of services that may be available in the network becomes increasingly important. Services can include common ones such as printing, paging, FAXing, and so on, as well as various kinds of information access such as teleconferencing, network bridges and access points, eCommerce facilities, and so on — most any kind of service that a server or service provider might offer. In addition to the need for a standard way of discovering available services, there are other considerations: getting access to the services (finding and obtaining the protocols, access methods, “drivers” and other code necessary to utilize the service), controlling access to the services, advertising the services, choosing among competing services, billing for services, and so on. This problem is widely recognized; many companies, standards bodies and consortia are addressing it at various levels in various ways. Service Location Protocol (SLP), Jini™, and Salutation™, to name just a few, all address some aspect of service discovery.

A.2 BLUETOOTH SERVICE DISCOVERY

Bluetooth Service Discovery Protocol (SDP) addresses service discovery specifically for the Bluetooth environment. It is optimized for the highly dynamic nature of Bluetooth communications. SDP focuses primarily on discovering services available from or through Bluetooth devices. SDP does not define methods for accessing services; once services are discovered with SDP, they can be accessed in various ways, depending upon the service. This might include the use of other service discovery and access mechanisms such as those mentioned above; SDP provides a means for other protocols to be used along with SDP in those environments where this can be beneficial. While SDP can coexist with other Service Discovery protocols, it does not require them. In Bluetooth environments, services can be discovered using SDP and can be accessed using other protocols defined by Bluetooth.



APPENDIX B EXAMPLE SDP TRANSACTIONS

The following are simple examples of typical SDP transactions. These are meant to be illustrative of SDP flows. The examples do not consider:

- Caching (in a caching system, the SDP Client would make use of the ServiceRecordState and ServiceDatabaseState attributes);
- Service availability (if this is of interest, the SDP Client should use the ServiceAvailability and/or ServiceTimeToLive attributes);
- SDP versions (the VersionNumberList attribute could be used to determine compatible SDP versions);
- SDP Error Responses (an SDP error response is possible for any SDP request that is in error); and
- Communication connection (the examples assume that an L2CAP connection is established).

The examples are meant to be illustrative of the protocol. The format used is `ObjectName[ObjectSizeInBytes] {SubObjectDefinitions}`, but this is not meant to illustrate an interface. The `ObjectSizeInBytes` is the size of the object in decimal. The `SubObjectDefinitions` (inside of `{}` characters) are components of the immediately enclosing object. Hexadecimal values shown as lower-case letters, such as for transaction IDs and service handles, are variables (the particular value is not important for the illustration, but each such symbol always represents the same value). Comments are included in this manner: `/* comment text */`

B.1 SDP EXAMPLE 1 – ServiceSearchRequest

The first example is that of an SDP Client searching for a generic printing service. The client does not specify a particular type of printing service. In the example, the SDP Server has two available printing services. The transaction illustrates:

1. SDP Client to SDP Server: `SDP_SERVICE_SEARCH_REQ`, specifying the `PrinterServiceClassID` (represented as a `DataElement` with a 32-bit UUID value of `ppp . . . ppp`) as the only element of the `ServiceSearchPattern`. The `PrinterServiceClassID` is assumed to be a 32-bit UUID and the data element type for it is illustrated. The `TransactionID` is illustrated as `tttt`.
2. SDP Server to SDP Client: `SDP_SERVICE_SEARCH_RSP`, returning handles to two printing services, represented as `qqqqqqqqq` for the first printing service and `rrrrrrrrr` for the second printing service. The `Transaction ID` is the same value as supplied by the SDP Client in the corresponding request (`tttt`).

Service Discovery Protocol (SDP) Specification

```

/* Sent from SDP Client to SDP Server */
SDP_SERVICE_SEARCH_REQ[15] {
  PDUID[1] {
    0x02
  }
  TransactionID[2] {
    0xtttt
  }
  ParameterLength[2] {
    0x000A
  }
  ServiceSearchPattern[7] {
    DataElementSequence[7] {
      0b00110 0b101 0x05
      UUID[5] {
        /* PrinterServiceClassID */
        0b00011 0b010 0xpppppppp
      }
    }
  }
  MaximumServiceRecordCount[2] {
    0x0003
  }
  ContinuationState[1] {
    /* no continuation state */
    0x00
  }
}

/* Sent from SDP Server to SDP Client */
SDP_SERVICE_SEARCH_RSP[18] {
  PDUID[1] {
    0x03
  }
  TransactionID[2] {
    0xtttt
  }
  ParameterLength[2] {
    0x000D
  }
  TotalServiceRecordCount[2] {
    0x0002
  }
  CurrentServiceRecordCount[2] {
    0x0002
  }
  ServiceRecordHandleList[8] {
    /* print service 1 handle */
    0xqqqqqqqq
    /* print service 2 handle */
    0xrrrrrrrr
  }
  ContinuationState[1] {
    /* no continuation state */
    0x00
  }
}

```




B.2 SDP EXAMPLE 2 – ServiceAttributeTransaction

The second example continues the first example. In Example 1, the SDP Client obtained handles to two printing services. In Example 2, the client uses one of those service handles to obtain the ProtocolDescriptorList attribute for that printing service. The transaction illustrates:

1. SDP Client to SDP Server: SDP_SERVICE_ATTR_REQ, presenting the previously obtained service handle (the one denoted as `qqqqqqqq`) and specifying the ProtocolDescriptorList attribute ID (AttributeID `0x0004`) as the only attribute requested (other attributes could be retrieved in the same transaction if desired). The TransactionID is illustrated as `uuuu` to distinguish it from the TransactionID of Example 1.
2. SDP Server to SDP Client: SDP_SERVICE_ATTR_RSP, returning the ProtocolDescriptorList for the specified printing service. This protocol stack is assumed to be (L2CAP), (RFCOMM, 2), (PostscriptStream)). The ProtocolDescriptorList is a data element sequence in which each element is, in turn, a data element sequence whose first element is a UUID representing the protocol, and whose subsequent elements are protocol-specific parameters. In this example, one such parameter is included for the RFCOMM protocol, an 8-bit value indicating RFCOMM server channel 2. The Transaction ID is the same value as supplied by the SDP Client in the corresponding request (`uuuu`). The Attributes returned are illustrated as a data element sequence where the protocol descriptors are 32-bit UUIDs and the RFCOMM server channel is a data element with an 8-bit value of 2.

```

/* Sent from SDP Client to SDP Server */
SDP_SERVICE_ATTR_REQ[17] {
  PDUID[1] {
    0x04
  }
  TransactionID[2] {
    0xuuuu
  }
  ParameterLength[2] {
    0x000C
  }
  ServiceRecordHandle[4] {
    0xqqqqqqqq
  }
  MaximumAttributeByteCount[2] {
    0x0080
  }
  AttributeIDList[5] {
    DataElementSequence[5] {
      0b00110 0b101 0x03
      AttributeID[3] {
        0b00001 0b001 0x0004
      }
    }
  }
}

```

Service Discovery Protocol (SDP) Specification

```

ContinuationState[1] {
  /* no continuation state */
  0x00
}
}

/* Sent from SDP Server to SDP Client */
SDP_SERVICE_ATTR_RSP[38] {
  PDUID[1] {
    0x05
  }
  TransactionID[2] {
    0xuuuu
  }
  ParameterLength[2] {
    0x0021
  }
  AttributeListByteCount[2] {
    0x001E
  }
  AttributeList[30] {
    DataElementSequence[30] {
      0b00110 0b101 0x1C
      Attribute[28] {
        AttributeID[3] {
          0b00001 0b001 0x0004
        }
        AttributeValue[25] {
          /* ProtocolDescriptorList */
          DataElementSequence[25] {
            0b00110 0b101 0x17
            /* L2CAP protocol descriptor */
            DataElementSequence[7] {
              0b00110 0b101 0x05
              UUID[5] {
                /* L2CAP Protocol UUID */
                0b00011 0b010 <32-bit L2CAP UUID>
              }
            }
          }
          /* RFCOMM protocol descriptor */
          DataElementSequence[9] {
            0b00110 0b101 0x07
            UUID[5] {
              /* RFCOMM Protocol UUID */
              0b00011 0b010 <32-bit RFCOMM UUID>
            }
          }
          /* parameter for server 2 */
          uint8[2] {
            0b00001 0b000 0x02
          }
        }
      }
      /* PostscriptStream protocol descriptor */
      DataElementSequence[7] {
        0b00110 0b101 0x05
        UUID[5] {
          /* PostscriptStream Protocol UUID */
          0b00011 0b010 <32-bit PostscriptStream UUID>
        }
      }
    }
  }
}

```



```

    }
  }
}
}
}
}
ContinuationState[1] {
  /* no continuation state */
  0x00
}
}
}

```

B.3 SDP EXAMPLE 3 – ServiceSearchAttributeTransaction

The third example is a form of service browsing, although it is not generic browsing in that it does not make use of SDP browse groups. Instead, an SDP Client is searching for available Synchronization services that can be presented to the user for selection. The SDP Client does not specify a particular type of synchronization service. In the example, the SDP Server has three available synchronization services: an address book synchronization service and a calendar synchronization service (both from the same provider), and a second calendar synchronization service from a different provider. The SDP Client is retrieving the same attributes for each of these services; namely, the data formats supported for the synchronization service (vCard, vCal, iCal, etc.) and those attributes that are relevant for presenting information to the user about the services. Also assume that the maximum size of a response is 400 bytes. Since the result is larger than this, the SDP Client will repeat the request supplying a continuation state parameter to retrieve the remainder of the response. The transaction illustrates:

1. SDP Client to SDP Server: SDP_SERVICE_SEARCH_ATTR_REQ, specifying the generic SynchronisationServiceClassID (represented as a data element whose 32-bit UUID value is `sss . . . sss`) as the only element of the ServiceSearchPattern. The SynchronisationServiceClassID is assumed to be a 32-bit UUID. The requested attributes are the ServiceRecordHandle (AttributeID 0x0000), ServiceClassIDList (AttributeID 0x0001), IconURL (AttributeID 0x000C), ServiceName (AttributeID 0x0100), ServiceDescription (AttributeID 0x0101), and ProviderName (AttributeID 0x0102) attributes; as well as the service-specific SupportedDataStores (AttributeID 0x0301). Since the first two attribute IDs (0x0000 and 0x0001) and three other attribute IDs (0x0100, 0x0101, and 0x0102) are consecutive, they are specified as attribute ranges. The TransactionID is illustrated as `vvvv` to distinguish it from the TransactionIDs of the other Examples.

Values in the service record's primary language are requested for the text attributes (ServiceName, ServiceDescription and ProviderName) so that absolute attribute IDs may be used, rather than adding offsets to a base obtained from the LanguageBaseAttributeIDList attribute.



2. SDP Server to SDP Client: SDP_SERVICE_SEARCH_ATTR_RSP, returning the specified attributes for each of the three synchronization services. In the example, each ServiceClassIDList is assumed to contain a single element, the generic SynchronisationServiceClassID (a 32-bit UUID represented as sss...sss). Each of the other attributes contain illustrative data in the example (the strings have illustrative text; the icon URLs are illustrative, for each of the respective three synchronization services; and the SupportedDataStore attribute is represented as an unsigned 8-bit integer where 0x01 = vCard2.1, 0x02 = vCard3.0, 0x03 = vCal1.0 and 0x04 = iCal). One of the service records (the third for which data is returned) has no ServiceDescription attribute. The attributes are returned as a data element sequence, where each element is in turn a data element sequence representing a list of attributes. Within each attribute list, the ServiceClassIDList is a data element sequence while the remaining attributes are single data elements. The Transaction ID is the same value as supplied by the SDP Client in the corresponding request (0xvvvv). Since the entire result cannot be returned in a single response, a non-null continuation state is returned in this first response.
3. The total length of the initial data element sequence (487 in the example) is indicated in the first response, even though only a portion of this data element sequence (368 bytes in the example, as indicated in the AttributeLists byte count) is returned in the first response. The remainder of this data element sequence is returned in the second response (without an additional data element header).
4. SDP Client to SDP Server: SDP_SERVICE_SEARCH_ATTR_REQ, with the same parameters as in step 1, except that the continuation state received from the server in step 2 is included as a request parameter. The TransactionID is changed to 0xwww to distinguish it from previous request.
5. SDP Server to SDP Client: SDP_SERVICE_SEARCH_ATTR_RSP, with the remainder of the result computed in step 2 above. Since all of the remaining result fits in this second response, a null continuation state is included.

```

/* Part 1 -- Sent from SDP Client to SDP Server */
SDP_SERVICE_SEARCH_ATTR_REQ[33] {
  PDUID[1] {
    0x06
  }
  TransactionID[2] {
    0xvvvv
  }
  ParameterLength[2] {
    0x001C
  }
  ServiceSearchPattern[7] {
    DataElementSequence[7] {
      0b00110 0b101 0x05
      UUID[5] {
        /* SynchronisationServiceClassID */
        0b00011 0b010 0xssssssss
      }
    }
  }
}

```

Service Discovery Protocol (SDP) Specification

```

    }
  }
  MaximumAttributeByteCount[2] {
    0x0190
  }
  AttributeIDList[18] {
    DataElementSequence[18] {
      0b00110 0b101 0x10
      AttributeIDRange[5] {
        0b00001 0b010 0x00000001
      }
      AttributeID[3] {
        0b00001 0b001 0x000C
      }
      AttributeIDRange[5] {
        0b00001 0b010 0x01000102
      }
      AttributeID[3] {
        0b00001 0b001 0x0301
      }
    }
  }
  ContinuationState[1] {
    /* no continuation state */
    0x00
  }
}

/* Part 2 -- Sent from SDP Server to SDP Client */
SDP_SERVICE_SEARCH_ATTR_RSP[384] {
  PDUID[1] {
    0x07
  }
  TransactionID[2] {
    0xvvvvv
  }
  ParameterLength[2] {
    0x017B
  }
  AttributeListByteCount[2] {
    0x0170
  }
  AttributeLists[368] {
    DataElementSequence[487] {
      0b00110 0b110 0x01E4
      DataElementSequence[178] {
        0b00110 0b101 0xB0
        Attribute[8] {
          AttributeID[3] {
            0b00001 0b001 0x0000
          }
          AttributeValue[5] {
            /* service record handle */
            0b00001 0b010 0xhhhhhhhh
          }
        }
      }
      Attribute[10] {
        AttributeID[3] {

```

Service Discovery Protocol (SDP) Specification

```

        0b00001 0b001 0x0001
    }
AttributeValue[7] {
    DataElementSequence[7] {
        0b00110 0b101 0x05
        UUID[5] {
            /* SynchronisationServiceClassID */
            0b00011 0b010 0xssssssss
        }
    }
}
Attribute[35] {
    AttributeID[3] {
        0b00001 0b001 0x000C
    }
    AttributeValue[32] {
        /* IconURL; '*' replaced by client application */
        0b01000 0b101 0x1E
        "http://Synchronisation/icons/*"
    }
}
Attribute[22] {
    AttributeID[3] {
        0b00001 0b001 0x0100
    }
    AttributeValue[19] {
        /* service name */
        0b00100 0b101 0x11
        "Address Book Sync"
    }
}
Attribute[59] {
    AttributeID[3] {
        0b00001 0b001 0x0101
    }
    AttributeValue[56] {
        /* service description */
        0b00100 0b101 0x36
        "Synchronisation Service for"
        " vCard Address Book Entries"
    }
}
Attribute[37] {
    AttributeID[3] {
        0b00001 0b001 0x0102
    }
    AttributeValue[34] {
        /* service provider */
        0b00100 0b101 0x20
        "Synchronisation Specialists Inc."
    }
}
Attribute[5] {
    AttributeID[3] {
        0b00001 0b001 0x0301
    }
}

```

Service Discovery Protocol (SDP) Specification

```

        AttributeValue[2] {
            /* Supported Data Store 'phonebook' */
            0b00001 0b000 0x01
        }
    }
}
DataElementSequence[175] {
    0b00110 0b101 0xAD
    Attribute[8] {
        AttributeID[3] {
            0b00001 0b001 0x0000
        }
        AttributeValue[5] {
            /* service record handle */
            0b00001 0b010 0xxxxxxxxxxxx
        }
    }
}
Attribute[10] {
    AttributeID[3] {
        0b00001 0b001 0x0001
    }
    AttributeValue[7] {
        DataElementSequence[7] {
            0b00110 0b101 0x05
            UUID[5] {
                /* SynchronisationServiceClassID */
                0b00011 0b010 0xssssssss
            }
        }
    }
}
Attribute[35] {
    AttributeID[3] {
        0b00001 0b001 0x000C
    }
    AttributeValue[32] {
        /* IconURL; '*' replaced by client application */
        0b01000 0b101 0x1E
        "http://Synchronisation/icons/*"
    }
}
Attribute[21] {
    AttributeID[3] {
        0b00001 0b001 0x0100
    }
    AttributeValue[18] {
        /* service name */
        0b00100 0b101 0x10
        "Appointment Sync"
    }
}
Attribute[57] {
    AttributeID[3] {
        0b00001 0b001 0x0101
    }
    AttributeValue[54] {
        /* service description */

```

Service Discovery Protocol (SDP) Specification

```

        0b00100 0b101 0x34
        "Synchronisation Service for"
        " vCal Appointment Entries"
    }
}
Attribute[37] {
    AttributeID[3] {
        0b00001 0b001 0x0102
    }
    AttributeValue[34] {
        /* service provider */
        0b00100 0b101 0x20
        "Synchronisation Specialists Inc."
    }
}
Attribute[5] {
    AttributeID[3] {
        0b00001 0b001 0x0301
    }
    AttributeValue[2] {
        /* Supported Data Store 'calendar' */
        0b00001 0b000 0x03
    }
}
}
/* } Data element sequence of attribute lists */
/* is not completed in this PDU. */
}
ContinuationState[9] {
    /* 8 bytes of continuation state */
    0x08 0xzzzzzzzzzzzzzzzzzz
}
}

/* Part 3 -- Sent from SDP Client to SDP Server */
SDP_SERVICE_SEARCH_ATTR_REQ[41] {
    PDUID[1] {
        0x06
    }
    TransactionID[2] {
        0xwww
    }
    ParameterLength[2] {
        0x0024
    }
    ServiceSearchPattern[7] {
        DataElementSequence[7] {
            0b00110 0b101 0x05
            UUID[5] {
                /* SynchronisationServiceClassID */
                0b00011 0b010 0xssssssss
            }
        }
    }
}
MaximumAttributeByteCount[2] {
    0x0180
}
}

```


Service Discovery Protocol (SDP) Specification

```

AttributeIDList[18] {
  DataElementSequence[18] {
    0b00110 0b101 0x10
    AttributeIDRange[5] {
      0b00001 0b010 0x00000001
    }
    AttributeID[3] {
      0b00001 0b001 0x000C
    }
    AttributeIDRange[5] {
      0b00001 0b010 0x01000102
    }
    AttributeID[3] {
      0b00001 0b001 0x0301
    }
  }
}
ContinuationState[9] {
  /* same 8 bytes of continuation state */
  /* received in part 2 */
  0x08 0xxxxxxxxxxxxxxxxxxx
}
}

```

Part 4 -- Sent from SDP Server to SDP Client

```

SDP_SERVICE_SEARCH_ATTR_RSP[115] {
  PDUID[1] {
    0x07
  }
  TransactionID[2] {
    0xwww
  }
  ParameterLength[2] {
    0x006E
  }
  AttributeListByteCount[2] {
    0x006B
  }
  AttributeLists[107] {
    /* Continuing the data element sequence of */
    /* attribute lists begun in Part 2. */
    DataElementSequence[107] {
      0b00110 0b101 0x69
      Attribute[8] {
        AttributeID[3] {
          0b00001 0b001 0x0000
        }
        AttributeValue[5] {
          /* service record handle */
          0b00001 0b010 0xFFFFFFFF
        }
      }
      Attribute[10] {
        AttributeID[3] {
          0b00001 0b001 0x0001
        }
      }
    }
  }
}

```

Service Discovery Protocol (SDP) Specification

```

        AttributeValue[7] {
            DataElementSequence[7] {
                0b00110 0b101 0x05
                UUID[5] {
                    /* SynchronisationServiceClassID */
                    0b00011 0b010 0xssssssss
                }
            }
        }
    }
}
Attribute[35] {
    AttributeID[3] {
        0b00001 0b001 0x000C
    }
    AttributeValue[32] {
        /* IconURL; '*' replaced by client application */
        0b01000 0b101 0x1E
        "http://DevManufacturer/icons/*"
    }
}
Attribute[18] {
    AttributeID[3] {
        0b00001 0b001 0x0100
    }
    AttributeValue[15] {
        /* service name */
        0b00100 0b101 0x0D
        "Calendar Sync"
    }
}
Attribute[29] {
    AttributeID[3] {
        0b00001 0b001 0x0102
    }
    AttributeValue[26] {
        /* service provider */
        0b00100 0b101 0x18
        "Device Manufacturer Inc."
    }
}
Attribute[5] {
    AttributeID[3] {
        0b00001 0b001 0x0301
    }
    AttributeValue[2] {
        /* Supported Data Store 'calendar' */
        0b00001 0b000 0x03
    }
}
}
/* This completes the data element sequence */
/* of attribute lists begun in Part 2. */
}
ContinuationState[1] {
    /* no continuation state */
    0x00
}
}

```



APPENDIX C CHANGES TO PDU NAMES

Previous versions of this specification used different names for the PDUs defined in [Section 4](#). [Table C.1](#) shows the previous and current names of these PDUs.

Previous name	Current name
SDP_ErrorResponse	SDP_ERROR_RSP
SDP_ServiceAttributeRequest	SDP_SERVICE_ATTR_REQ
SDP_ServiceAttributeResponse	SDP_SERVICE_ATTR_RSP
SDP_ServiceSearchAttributeRequest	SDP_SERVICE_SEARCH_ATTR_REQ
SDP_ServiceSearchAttributeResponse	SDP_SERVICE_SEARCH_ATTR_RSP
SDP_ServiceSearchRequest	SDP_SERVICE_SEARCH_REQ
SDP_ServiceSearchResponse	SDP_SERVICE_SEARCH_RSP

Table C.1: Changes to PDU names

GENERIC ACCESS PROFILE

This profile defines the generic procedures related to discovery of Bluetooth devices (idle mode procedures) and link management aspects of connecting to Bluetooth devices (connecting mode procedures). It also defines procedures related to use of different security levels. In addition, this profile includes common format requirements for parameters accessible on the user interface level.



CONTENTS

1	Foreword	1239
1.1	Scope	1239
1.2	Symbols and conventions.....	1240
1.2.1	[This section is no longer used]	1240
1.2.2	Signaling diagram conventions	1240
1.2.3	Notation for timers and counters.....	1241
1.2.4	Notation for UUIDs.....	1241
2	Profile overview	1242
2.1	Profile stack	1242
2.2	Profile roles.....	1242
2.2.1	Roles when operating over BR/EDR Physical Transport ..	1242
2.2.2	Roles when operating over an LE physical transport	1243
2.2.2.1	Broadcaster role	1245
2.2.2.2	Observer role.....	1246
2.2.2.3	Peripheral role	1246
2.2.2.4	Central role	1246
2.2.2.5	Concurrent operation in multiple GAP roles	1246
2.3	User requirements and scenarios.....	1246
2.4	Profile fundamentals	1247
2.5	Conformance	1247
3	User interface aspects	1248
3.1	The user interface level	1248
3.2	Representation of Bluetooth parameters	1248
3.2.1	Bluetooth Device Address (BD_ADDR)	1248
3.2.1.1	Definition	1248
3.2.1.2	Term on user interface level	1248
3.2.1.3	Representation	1248
3.2.2	Bluetooth Device Name (the user-friendly name).....	1248
3.2.2.1	Definition	1248
3.2.2.2	Term on user interface level	1249
3.2.2.3	Representation	1249
3.2.3	Bluetooth Passkey (Bluetooth PIN).....	1249
3.2.3.1	Definition	1249
3.2.3.2	Terms at user interface level	1249
3.2.3.3	Representation	1250
3.2.4	Class of Device	1251
3.2.4.1	Definition	1251
3.2.4.2	Term on user interface level	1251
3.2.4.3	Representation	1251



- 3.2.4.4 Usage 1251
- 3.2.5 Appearance characteristic 1252
 - 3.2.5.1 Definition 1252
 - 3.2.5.2 Usage at user interface level 1252
 - 3.2.5.3 Representation 1252
- 3.2.6 Broadcast Code 1252
 - 3.2.6.1 Definition 1252
 - 3.2.6.2 Terms at user interface level 1252
 - 3.2.6.3 Representation 1252
- 3.3 Pairing 1253
- 4 Modes – BR/EDR physical transport..... 1254**
- 4.1 Discoverability modes 1254
 - 4.1.1 Non-discoverable mode 1255
 - 4.1.1.1 Definition 1255
 - 4.1.1.2 Term on UI-level 1255
 - 4.1.2 Limited Discoverable mode..... 1255
 - 4.1.2.1 Definition 1255
 - 4.1.2.2 Conditions 1256
 - 4.1.2.3 Term on UI-level 1256
 - 4.1.3 General Discoverable mode 1256
 - 4.1.3.1 Definition 1256
 - 4.1.3.2 Conditions 1256
 - 4.1.3.3 Term on UI-level 1257
- 4.2 Connectability modes 1257
 - 4.2.1 Non-connectable mode 1257
 - 4.2.1.1 Definition 1257
 - 4.2.1.2 Term on UI-level 1257
 - 4.2.2 Connectable mode..... 1257
 - 4.2.2.1 Definition 1258
 - 4.2.2.2 Term on UI-level 1259
- 4.3 Bondable modes..... 1259
 - 4.3.1 Non-bondable mode 1259
 - 4.3.1.1 Definition 1259
 - 4.3.1.2 Term on UI-level 1259
 - 4.3.2 Bondable mode..... 1259
 - 4.3.2.1 Definition 1260
 - 4.3.2.2 Term on UI-level 1260
- 4.4 Synchronizability modes 1260
 - 4.4.1 Non-synchronizable mode 1260
 - 4.4.1.1 Definition 1260
 - 4.4.1.2 Term on UI-level 1260
 - 4.4.2 Synchronizable mode 1260
 - 4.4.2.1 Definition 1260



4.4.2.2 Term on UI-level 1261

5 Security aspects – BR/EDR physical transport 1262

5.1 Authentication 1262

5.1.1 Purpose..... 1262

5.1.2 Term on UI level 1262

5.1.3 Procedure 1263

5.1.4 Conditions 1263

5.2 Security modes 1264

5.2.1 Legacy security modes 1265

5.2.1.1 Security mode 1 (non-secure) 1265

5.2.1.2 Security mode 2 (service level enforced security) 1265

5.2.1.3 Security mode 3 (link level enforced security).... 1265

5.2.2 Security mode 4 (service level enforced security) ... 1266

5.2.2.1 Security for access to remote service (initiating side)..... 1267

5.2.2.2 Security for access to local service by remote device (responding side) 1271

5.2.2.3 Secure Simple Pairing after authentication failure..... 1274

5.2.2.4 IO capabilities 1275

5.2.2.5 Mapping of input / output capabilities to IO capability 1275

5.2.2.6 IO and OOB capability mapping to authentication stage 1 method..... 1276

5.2.2.7 Out of Band (OOB)..... 1278

5.2.2.8 Security database..... 1279

6 Idle mode procedures – BR/EDR physical transport..... 1283

6.1 General Inquiry 1283

6.1.1 Purpose..... 1283

6.1.2 Term on UI level 1283

6.1.3 Description 1284

6.1.4 Conditions 1284

6.2 Limited Inquiry 1284

6.2.1 Purpose..... 1284

6.2.2 Term on UI level 1285

6.2.3 Description 1285

6.2.4 Conditions 1285

6.3 Name Discovery 1285

6.3.1 Purpose..... 1285

6.3.2 Term on UI level 1285



6.3.3	Description	1286
6.3.3.1	Name Request	1286
6.3.3.2	Name Discovery	1286
6.3.4	Conditions	1287
6.4	Device Discovery	1287
6.4.1	Purpose.....	1287
6.4.2	Term on UI level	1287
6.4.3	Description	1288
6.4.4	Conditions	1288
6.5	Bonding	1288
6.5.1	Purpose.....	1288
6.5.2	Term on UI level	1289
6.5.3	Description	1289
6.5.3.1	General Bonding	1289
6.5.3.2	Dedicated Bonding	1290
6.5.4	Conditions	1291
7	Establishment procedures – BR/EDR physical transport.....	1292
7.1	Link Establishment	1292
7.1.1	Purpose.....	1292
7.1.2	Term on UI level	1292
7.1.3	Description	1293
7.1.3.1	B in security mode 1, 2, or 4.....	1293
7.1.3.2	B in security mode 3.....	1294
7.1.4	Conditions	1294
7.2	Channel Establishment.....	1295
7.2.1	Purpose.....	1295
7.2.2	Term on UI level	1295
7.2.3	Description	1295
7.2.3.1	B in security mode 2 or 4.....	1296
7.2.3.2	B in security mode 1 or 3.....	1296
7.2.4	Conditions	1296
7.3	Connection Establishment.....	1297
7.3.1	Purpose.....	1297
7.3.2	Term on UI level	1297
7.3.3	Description	1297
7.3.3.1	B in security mode 2 or 4.....	1297
7.3.3.2	B in security mode 1 or 3.....	1298
7.3.4	Conditions	1298
7.4	Establishment of additional connection	1298
7.5	Synchronization Establishment	1299



- 7.5.1 Purpose..... 1299
- 7.5.2 Term on UI Level..... 1299
- 7.5.3 Description 1299
- 7.5.4 Conditions 1299
- 8 Extended inquiry response data format 1301**
- 9 Operational modes and procedures – LE physical transport.... 1303**
- 9.1 Broadcast mode and Observation procedure 1303
 - 9.1.1 Broadcast mode 1304
 - 9.1.1.1 Definition 1304
 - 9.1.1.2 Conditions 1304
 - 9.1.2 Observation procedure 1304
 - 9.1.2.1 Definition 1304
 - 9.1.2.2 Conditions 1304
- 9.2 Discovery modes and procedures 1305
 - 9.2.1 Requirements..... 1305
 - 9.2.2 Non-discoverable mode 1305
 - 9.2.2.1 Description 1305
 - 9.2.2.2 Conditions 1306
 - 9.2.3 Limited Discoverable mode..... 1306
 - 9.2.3.1 Description 1306
 - 9.2.3.2 Conditions 1306
 - 9.2.4 General Discoverable mode 1307
 - 9.2.4.1 Description 1307
 - 9.2.4.2 Conditions 1307
 - 9.2.5 Limited Discovery procedure 1308
 - 9.2.5.1 Description 1308
 - 9.2.5.2 Conditions 1309
 - 9.2.6 General Discovery procedure 1310
 - 9.2.6.1 Description 1310
 - 9.2.6.2 Conditions 1311
 - 9.2.7 Name Discovery procedure 1311
 - 9.2.7.1 Description 1311
 - 9.2.7.2 Conditions 1311
- 9.3 Connection modes and procedures..... 1312
 - 9.3.1 Requirements..... 1312
 - 9.3.2 Non-connectable mode 1313
 - 9.3.2.1 Description 1313
 - 9.3.2.2 Conditions 1313
 - 9.3.3 Directed Connectable mode 1313
 - 9.3.3.1 Description 1313
 - 9.3.3.2 Conditions 1314



9.3.4	Undirected Connectable mode	1314
9.3.4.1	Description	1314
9.3.4.2	Conditions	1314
9.3.5	Auto Connection Establishment procedure.....	1314
9.3.5.1	Description	1314
9.3.5.2	Conditions	1314
9.3.6	General Connection Establishment procedure	1315
9.3.6.1	Description	1315
9.3.6.2	Conditions	1316
9.3.7	Selective Connection Establishment procedure	1317
9.3.7.1	Description	1317
9.3.7.2	Conditions	1317
9.3.8	Direct Connection Establishment procedure.....	1319
9.3.8.1	Description	1319
9.3.8.2	Conditions	1319
9.3.9	Connection Parameter Update procedure	1320
9.3.9.1	Description	1320
9.3.9.2	Conditions	1320
9.3.10	Terminate Connection procedure.....	1320
9.3.10.1	Description	1320
9.3.10.2	Conditions	1321
9.3.11	Connection Establishment Timing parameters	1321
9.3.11.1	Description	1321
9.3.11.2	Conditions	1321
9.3.12	Connection interval timing parameters	1322
9.3.12.1	Description	1322
9.3.12.2	Conditions	1322
9.3.13	Connected Isochronous Stream Central Establishment procedure.....	1323
9.3.13.1	Description	1323
9.3.13.2	Conditions	1323
9.3.14	Connected Isochronous Stream Peripheral Establishment procedure.....	1324
9.3.14.1	Description	1324
9.3.14.2	Conditions	1324
9.3.15	Connected Isochronous Stream Terminate procedure	1324
9.3.15.1	Description	1324
9.3.15.2	Conditions	1324
9.3.16	Connection Subrate procedure.....	1324
9.3.16.1	Description	1324
9.3.16.2	Conditions	1324
9.4	Bonding modes and procedures.....	1325



- 9.4.1 Requirements..... 1325
- 9.4.2 Non-bondable mode 1325
 - 9.4.2.1 Description 1325
 - 9.4.2.2 Conditions 1325
- 9.4.3 Bondable mode..... 1326
 - 9.4.3.1 Description 1326
 - 9.4.3.2 Conditions 1326
- 9.4.4 Bonding procedure..... 1326
 - 9.4.4.1 Description 1326
 - 9.4.4.2 Conditions 1326
- 9.5 Periodic advertising modes and procedure 1327
 - 9.5.1 Periodic Advertising Synchronizability mode 1327
 - 9.5.1.1 Definition 1327
 - 9.5.1.2 Conditions 1328
 - 9.5.2 Periodic Advertising mode 1328
 - 9.5.2.1 Definition 1328
 - 9.5.2.2 Conditions 1328
 - 9.5.3 Periodic Advertising Synchronization Establishment procedure..... 1328
 - 9.5.3.1 Definition 1328
 - 9.5.3.2 Conditions 1328
 - 9.5.4 Periodic Advertising Synchronization Transfer procedure 1329
 - 9.5.4.1 Definition 1329
 - 9.5.4.2 Conditions 1329
 - 9.5.5 Periodic Advertising Connection procedure 1329
 - 9.5.5.1 Definition 1329
 - 9.5.5.2 Conditions 1329
- 9.6 Isochronous Broadcast modes and procedures 1329
 - 9.6.1 Broadcast Isochronous Synchronizability mode 1330
 - 9.6.1.1 Definition 1330
 - 9.6.1.2 Conditions 1330
 - 9.6.2 Broadcast Isochronous Broadcasting mode 1330
 - 9.6.2.1 Definition 1330
 - 9.6.2.2 Conditions 1331
 - 9.6.3 Broadcast Isochronous Synchronization Establishment procedure..... 1331
 - 9.6.3.1 Definition 1331
 - 9.6.3.2 Conditions 1331
 - 9.6.4 Broadcast Isochronous Channel Map Update procedure. 1331
 - 9.6.4.1 Definition 1331
 - 9.6.4.2 Conditions 1331



- 9.6.5 Broadcast Isochronous Terminate procedure 1331
 - 9.6.5.1 Definition 1331
 - 9.6.5.2 Conditions 1331
- 10 Security aspects – LE physical transport..... 1332**
 - 10.1 Requirements 1333
 - 10.2 LE security modes 1333
 - 10.2.1 LE security mode 1 1333
 - 10.2.2 LE security mode 2 1334
 - 10.2.3 Mixed security modes requirements 1334
 - 10.2.4 Secure Connections Only mode 1335
 - 10.2.5 LE security mode 3 1335
 - 10.3 Authentication procedure..... 1335
 - 10.3.1 Responding to a service request 1336
 - 10.3.1.1 Handling of GATT indications and notifications .. 1340
 - 10.3.1.2 Cross-transport key generation 1340
 - 10.3.2 Initiating a service request 1340
 - 10.3.2.1 Cross-transport key generation 1343
 - 10.3.2.2 Handling of GATT indications and notifications .. 1343
 - 10.4 Data signing..... 1343
 - 10.4.1 Connection Data Signing procedure 1343
 - 10.4.2 Authenticate Signed Data procedure 1344
 - 10.5 Authorization procedure 1345
 - 10.6 Encryption procedure 1345
 - 10.7 Privacy feature..... 1346
 - 10.7.1 Privacy feature in a Peripheral..... 1347
 - 10.7.1.1 Privacy feature in a Peripheral with Controller-based privacy 1348
 - 10.7.1.2 Privacy feature in a Peripheral with Host-based privacy 1348
 - 10.7.2 Privacy feature in a Central..... 1348
 - 10.7.2.1 Privacy feature in a Central with Controller-based privacy 1349
 - 10.7.2.2 Privacy feature in a Central with Host-based privacy 1349
 - 10.7.3 Privacy feature in a Broadcaster..... 1349
 - 10.7.4 Privacy feature in an Observer 1349
 - 10.8 Random Device address 1350
 - 10.8.1 Static address 1350
 - 10.8.2 Private address 1351



- 10.8.2.1 Non-Resolvable Private Address Generation
procedure 1351
- 10.8.2.2 Resolvable Private Address Generation
procedure 1351
- 10.8.2.3 Resolvable Private Address Resolution
procedure 1351
- 10.9 Encrypted Broadcast Isochronous Group..... 1351
- 10.10 Encrypted Advertising Data procedure 1351
- 11 Advertising and Scan Response data format 1353**
- 12 GAP service and characteristics for GATT Server 1355**
 - 12.1 Device Name characteristic 1356
 - 12.2 Appearance characteristic 1356
 - 12.3 Peripheral Preferred Connection Parameters characteristic . 1357
 - 12.4 Central Address Resolution characteristic 1357
 - 12.5 Resolvable Private Address Only characteristic 1358
 - 12.6 Encrypted Data Key Material 1359
 - 12.7 LE GATT Security Levels Characteristic..... 1360
- 13 BR/EDR/LE operation 1362**
 - 13.1 Modes, procedures, and security aspects 1362
 - 13.1.1 Discoverable mode requirements 1362
 - 13.2 Bonding for BR/EDR/LE device type 1363
 - 13.3 Relationship between physical transports 1363
- 14 BR/EDR/LE security aspects 1364**
 - 14.1 Cross-transport key derivation..... 1364
 - 14.2 Collision handling 1365
 - 14.3 Secure Connections Only Mode 1365
- 15 Bluetooth Device requirements..... 1366**
 - 15.1 Bluetooth Device address..... 1366
 - 15.1.1 Bluetooth Device Address types 1366
 - 15.1.1.1 Public Bluetooth address..... 1366
 - 15.1.1.2 Random Bluetooth address 1366
 - 15.2 GATT Profile requirements 1366
 - 15.3 SDP requirements 1367
 - 15.4 SDP service record requirement..... 1367
- 16 Definitions 1370**
 - 16.1 General definitions..... 1370
 - 16.2 Connection-related definitions 1370
 - 16.3 Device-related definitions 1371
 - 16.4 Procedure-related definitions..... 1372
 - 16.5 Security-related definitions 1372
- 17 References 1374**



Appendix A Timers and Constants 1375

Appendix B Information Flows of Related Procedures 1381

- B.1 LMP – authentication 1381
- B.2 LMP – pairing 1382
- B.3 Service Discovery 1383
- B.4 Generating a resolvable private address 1383
- B.5 Resolving a resolvable private address 1383



1 FOREWORD

Interoperability between devices from different manufacturers is provided for a specific service and use case, if the devices conform to a Bluetooth SIG-defined profile specification. A profile defines a selection of messages and procedures (generally termed *capabilities*) from the Bluetooth SIG specifications and gives a description of the air interface for specified service(s) and use case(s).

All defined features are process-mandatory. This means that, if a feature is used, it is used in a specified manner. Whether the provision of a feature is mandatory or optional is stated separately for both sides of the Bluetooth air interface.

1.1 SCOPE

The purpose of the Generic Access Profile is:

To introduce definitions, recommendations and common requirements related to modes and access procedures that are to be used by transport and application profiles.

To describe how devices are to behave in standby and connecting states in order to avoid situations where links and channels cannot be established between Bluetooth devices or that prevent multi-profile operation. Special focus is put on discovery, link establishment and security procedures.

To state requirements on user interface aspects, mainly coding schemes and names of procedures and parameters, that are needed to provide a satisfactory user experience.

This profile defines three device types based on the supported Core Configurations as defined in [\[Vol 0\] Part B, Section 3.1](#). The device types are shown in [Table 1.1](#):

Device Type	Description
BR/EDR	Devices that support the “Basic Rate” Core Configuration (see [Vol 0] Part B, Section 4.1)
LE only	Devices that support the “Low Energy” Core Configuration (see [Vol 0] Part B, Section 4.4)
BR/EDR/LE	Devices that support the “Basic Rate and Low Energy Combined” Core Configuration (see [Vol 0] Part B, Section 4.5)

Table 1.1: Device types

The terms physical transport, physical link and physical channel as defined in [\[Vol 1\] Part A, Section 3](#) are used in the specification.



1.2 SYMBOLS AND CONVENTIONS

1.2.1 [This section is no longer used]

1.2.2 Signaling diagram conventions

The arrows shown in [Figure 1.1](#) are used in diagrams describing procedures:

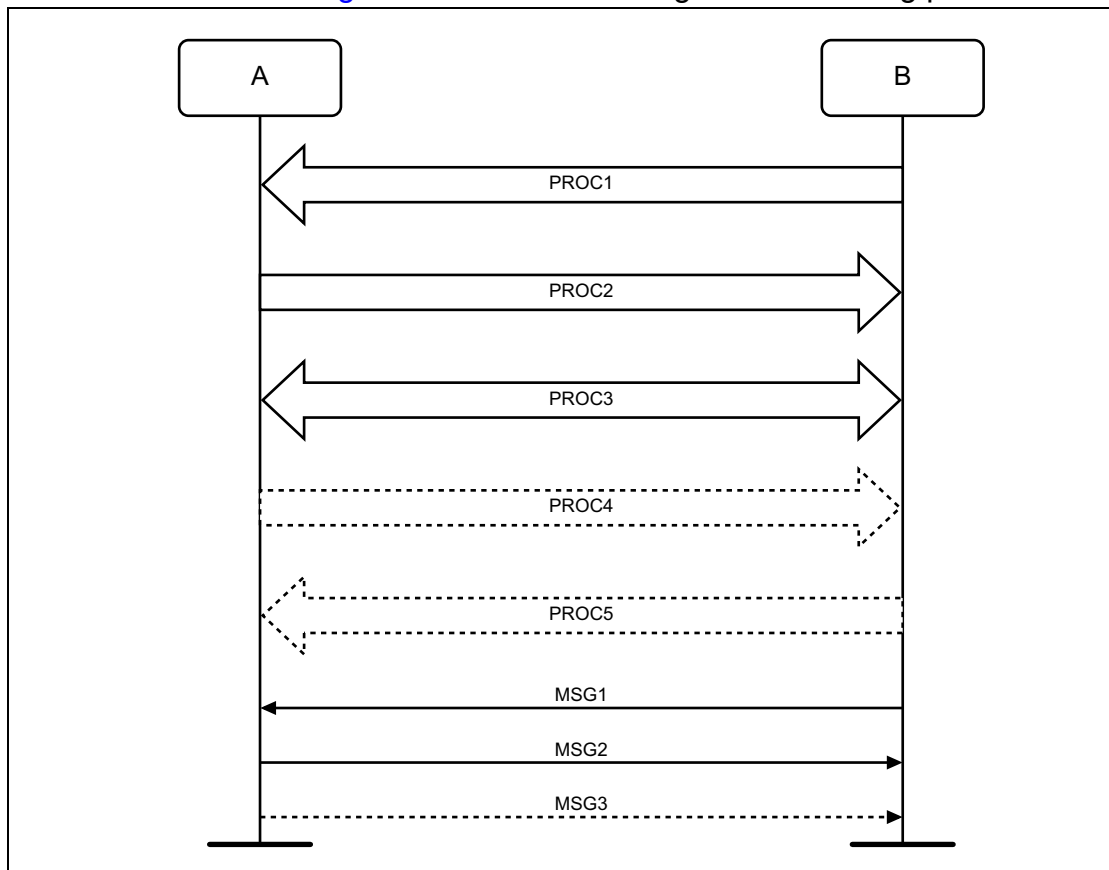


Figure 1.1: Arrows used in signaling diagrams

In [Figure 1.1](#), the following cases are shown: PROC1 is a sub-procedure initiated by B. PROC2 is a sub-procedure initiated by A. PROC3 is a sub-procedure where the initiating side is undefined (may be both A or B). Dashed arrows denote optional steps. PROC4 indicates an optional sub-procedure initiated by A, and PROC5 indicates an optional sub-procedure initiated by B.

MSG1 is a message sent from B to A. MSG2 is a message sent from A to B. MSG3 indicates an optional message from A to B.



1.2.3 Notation for timers and counters

Timers are introduced specific to this profile. To distinguish them from timers used in the Bluetooth protocol specifications and other profiles, these timers are named in the following format: 'T_{GAP}(*nnn*)'.

1.2.4 Notation for UUIDs

The use of « » (e.g. «Device Name») indicates a Bluetooth SIG-defined UUID.

2 PROFILE OVERVIEW

2.1 PROFILE STACK

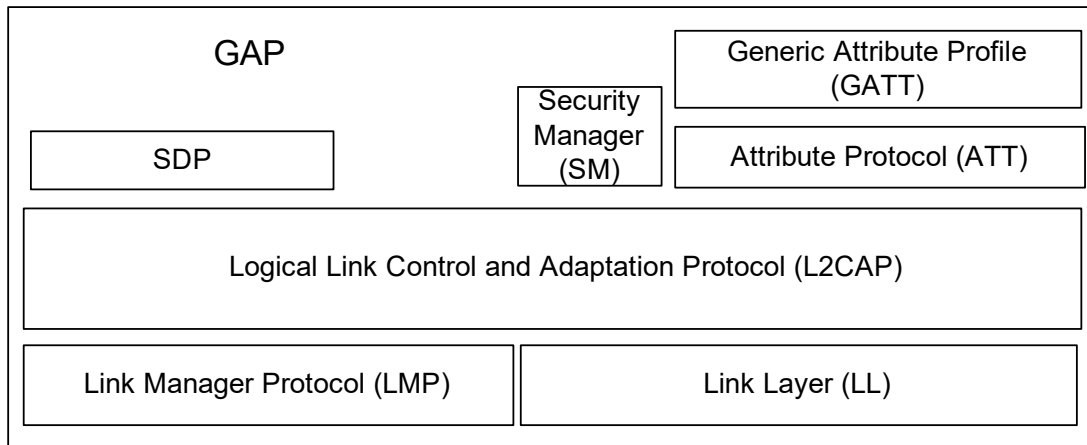


Figure 2.1: Relationship of GAP with lower layers of the Bluetooth architecture

The purpose of this profile is to describe:

- Profile roles
- Discoverability modes and procedures
- Connection modes and procedures
- Security modes and procedures

2.2 PROFILE ROLES

2.2.1 Roles when operating over BR/EDR Physical Transport

In GAP, for describing the Bluetooth communication that occurs between two devices in the BR/EDR GAP role, the generic notation of the A-party (the *paging device* in case of link establishment, or *initiator* in case of another procedure on an established link) and the B-party (*paged device* or *acceptor*) is used. The A-party is the one that, for a given procedure, initiates device discovery, initiates the establishment of a physical link or initiates a transaction on an existing link.

This profile handles the procedures between two devices related to discovery and connecting (link and connection establishment) for the case where none of the two devices has any link established as well as the case where (at least) one device has a link established (possibly to a third device) before starting the described procedure.

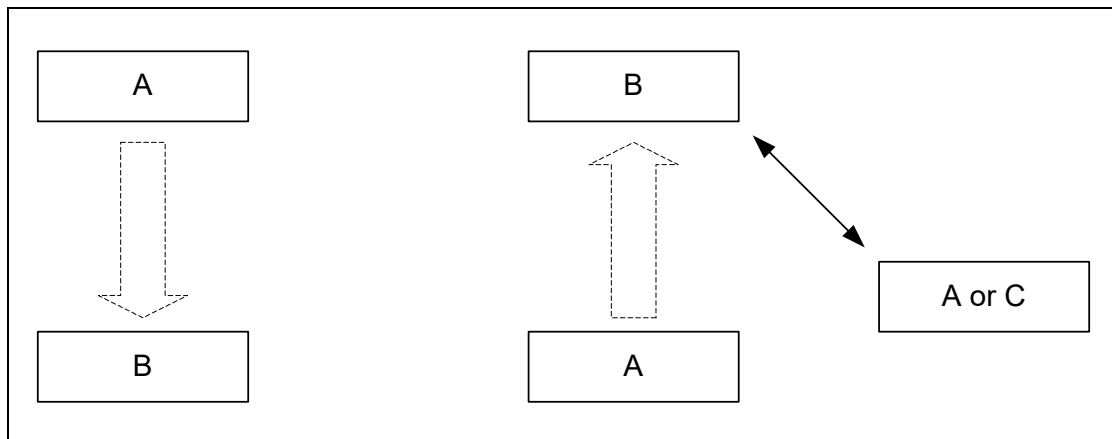


Figure 2.2: This profile covers procedures initiated by one device (A) towards another device (B) whether or not they have an existing Bluetooth link active

The initiator and the acceptor generally operate the generic procedures according to this profile or another profile referring to this profile. If the acceptor operates according to several profiles simultaneously, this profile describes generic mechanisms for how to handle this.

2.2.2 Roles when operating over an LE physical transport

There are four GAP roles defined for devices operating over an LE physical transport:

- Broadcaster
- Observer
- Peripheral
- Central

The GAP roles "Central" and "Peripheral" are related to, but not the same as, the Link Layer roles with the same names and therefore can have different requirements. If a connection is established successfully, the device with one of these GAP roles will also have the corresponding Link Layer role. However, the device can be in the GAP role without a connection being established.

[Table 2.1](#) defines requirements for physical layer and Link Layer functionalities for each GAP role when operating over an LE physical transport.



		GAP Roles When Operating Over an LE Physical Transport			
		Broadcaster	Observer	Peripheral	Central
Physical layer functionality:					
• Transmitter characteristics		M	O	M	M
• Receiver characteristics		O	M	M	M
Link Layer functionality:					
<u>States:</u>					
• Standby state		M	M	M	M
• Advertising state		M	E	M	E
• Scanning state		E	M	E	M
• Initiating state		E	E	E	M
• Synchronization State		E	O	E	E
• Isochronous Broadcasting State		O	E	E	E
• Connection state	Peripheral role	E	E	M	E
	Central role	E	E	E	M
<u>Advertising event types:</u>					
• Connectable and scannable undirected event		E	E	M	E
• Connectable undirected event		E	E	O	E
• Connectable directed event		E	E	O	E
• Non-connectable and non-scannable undirected event		M	E	O	E
• Non-connectable and non-scannable directed event		O	E	O	E
• Scannable undirected event		O	E	O	E
• Scannable directed event		O	E	O	E
<u>Scanning type:</u>					
• Passive scanning		E	M	E	O
• Active scanning		E	O	E	C.1
<u>Link Layer control procedures:</u>					
• Connection Update procedure		E	E	M	M

Table 2.1: GAP requirements for physical layer and Link Layer functionalities for each GAP role when operating over an LE physical transport



	GAP Roles When Operating Over an LE Physical Transport			
	Broadcaster	Observer	Peripheral	Central
• Channel Map Update procedure	E	E	M	M
• Encryption procedure	E	E	O	O
• Central-initiated Feature Exchange procedure	E	E	M	M
• Peripheral-initiated Feature Exchange procedure	E	E	C.2	C.2
• Connection Parameters Request procedure	E	E	O	O
• Version Exchange procedure	E	E	M	M
• ACL Termination procedure	E	E	M	M
• LE Ping procedure	E	E	O	O
• Data Length Update procedure	E	E	O	O
• PHY Update procedure	E	E	O	O
• Minimum Number Of Used Channels procedure	E	E	O	O
• Periodic Advertising Sync Transfer procedure	E	E	O	O
• Connected Isochronous Stream Creation procedure	E	E	O	O
• Connected Isochronous Stream Termination procedure	E	E	O	O
<i><u>Broadcast control procedures:</u></i>				
• Broadcast Isochronous Channel Map Update procedure	O	O	E	E
• Broadcast Isochronous Termination procedure	O	O	E	E

C.1: Optional if passive scanning is supported, otherwise mandatory.

C.2: Mandatory if Connection Parameters Request procedure is supported, otherwise optional.

Table 2.1: GAP requirements for physical layer and Link Layer functionalities for each GAP role when operating over an LE physical transport

2.2.2.1 Broadcaster role

A device operating in the Broadcaster role is a device that sends advertising events or periodic advertising events as described in [Vol 6] Part B, Section 4.4.2, and may also send Broadcast Isochronous Stream (BIS) events as described in [Vol 6] Part B, Section 4.4.6. A device operating in the



Broadcaster role is referred to as a Broadcaster and shall have a transmitter and may have a receiver.

2.2.2.2 Observer role

A device operating in the Observer role is a device that receives advertising events or periodic advertising events as described in [Vol 6] Part B, Section 4.4.3, and may also receive BIS events as described in [Vol 6] Part B, Section 4.4.6. A device operating in the Observer role is referred to as an Observer and shall have a receiver and may have a transmitter.

2.2.2.3 Peripheral role

Any device that accepts the establishment of an LE active physical link using any of the connection establishment procedures as defined in Section 9 is referred to as being in the Peripheral role. A device operating in the Peripheral role will be in the Peripheral role in the Link Layer Connection state as described in [Vol 6] Part B, Section 4.5. A device operating in the Peripheral role is referred to as a Peripheral. A Peripheral shall have both a transmitter and a receiver.

2.2.2.4 Central role

A device that supports the Central role initiates the establishment of an LE active physical link. A device operating in the Central role will be in the Central role in the Link Layer Connection state as described in [Vol 6] Part B, Section 4.5. A device operating in the Central role is referred to as a Central. A Central shall have both a transmitter and a receiver.

2.2.2.5 Concurrent operation in multiple GAP roles

A device may operate in multiple GAP roles concurrently if supported by the Controller. The Host should read the supported Link Layer states and state combinations from the Controller before any procedures or modes are used.

2.3 USER REQUIREMENTS AND SCENARIOS

The Bluetooth user should, where expected, be able to connect a Bluetooth device to any other Bluetooth device. Even if the two connected devices don't share any common application, it should be possible for the user to find this out using basic Bluetooth capabilities. When the two devices do share the same application but are from different manufacturers, the ability to connect them should not be blocked just because manufacturers choose to call basic Bluetooth capabilities by different names on the user interface level or implement basic procedures to be executed in different orders.



2.4 PROFILE FUNDAMENTALS

This profile states the requirements on names, values and coding schemes used for names of parameters and procedures experienced on the user interface level.

This profile defines modes of operation that are not service- or profile-specific, but that are generic and can be used by profiles referring to this profile, and by devices implementing multiple profiles.

This profile defines the general procedures that can be used for discovering identities, names and basic capabilities of other Bluetooth devices that are in a mode where they can be discovered. Only procedures where no channel or connection establishment is used are specified.

This profile defines the general procedure for how to create bonds (i.e., dedicated exchange of link keys) between Bluetooth devices.

This profile describes the general procedures that can be used for establishing connections to other Bluetooth devices that are in a mode that allows them to accept connections and service requests.

2.5 CONFORMANCE

Bluetooth devices shall conform to this profile to allow basic interoperability.

Bluetooth devices that conform to another Bluetooth profile may use adaptations of the generic procedures as specified by that other profile. They shall, however, be compatible with devices compliant to this profile at least on the level of the supported generic procedures.



3 USER INTERFACE ASPECTS

3.1 THE USER INTERFACE LEVEL

In the context of the specification, the user interface level refers to places (such as displays, dialog boxes, manuals, packaging, advertising, etc.) where users of Bluetooth devices encounters names, values and numerical representation of Bluetooth terminology and parameters.

This profile specifies the generic terms that should be used on the user interface level.

3.2 REPRESENTATION OF BLUETOOTH PARAMETERS

3.2.1 Bluetooth Device Address (BD_ADDR)

3.2.1.1 Definition

A BD_ADDR is the address used by a Bluetooth device as defined in [Section 15.1](#). It is received from a remote device during the device discovery procedure.

3.2.1.2 Term on user interface level

When the Bluetooth address is referred to on the UI level, the term 'Bluetooth Device Address' should be used.

3.2.1.3 Representation

On the Baseband level the BD_ADDR is represented as 48 bits (see [\[Vol 2\] Part B, Section 1.2](#)). On the Link Layer the public and random device address are represented as 48-bit addresses.

On the UI level the Bluetooth address shall be represented as 12 hexadecimal characters, possibly divided into sub-parts separated by ':' (e.g., '000C3E3A4B69' or '00:0C:3E:3A:4B:69'). On the UI level any number shall have the MSB -> LSB (from left to right) 'natural' ordering.

3.2.2 Bluetooth Device Name (the user-friendly name)

3.2.2.1 Definition

The Bluetooth Device Name is the user-friendly name that a Bluetooth device exposes to remote devices. For a device supporting the BR/EDR device type, the name is a character string returned in the LMP_NAME_RES in response to an LMP_NAME_REQ. For a device supporting the LE-only device type, the



name is a character string held in the Device Name characteristic as defined in [Section 12.1](#).

3.2.2.1.1 Bluetooth Device Name in a device with BR/EDR/LE device type

A BR/EDR/LE device type shall have a single Bluetooth Device Name which shall be identical irrespective of the physical channel used to perform the name discovery procedure.

For the BR/EDR physical channel the name is received in the LMP_NAME_RES. For the LE physical channel the name can be read from the Device Name characteristic as defined in [Section 12.1](#).

Note: The Device Name Characteristic of the local device can be read by a remote device using ATT over BR/EDR if the local device supports ATT over BR/EDR.

3.2.2.2 Term on user interface level

When the Bluetooth Device Name is referred to on the UI level, the term 'Bluetooth Device Name' should be used.

3.2.2.3 Representation

The Bluetooth Device Name can be up to 248 bytes (see [\[Vol 2\] Part C, Section 4.3.5](#)). It shall be encoded according to UTF-8 (therefore the name entered on the UI level may be restricted to as few as 62 characters if codepoints outside the range U+0000 to U+007F are used).

A device cannot expect that a general remote device is able to handle more than the first 40 characters of the Bluetooth Device Name. If a remote device has limited display capabilities, it may use only the first 20 characters.

3.2.3 Bluetooth Passkey (Bluetooth PIN)

3.2.3.1 Definition

The Bluetooth Passkey may be used to authenticate two Bluetooth devices with each other during the creation of a mutual link key via the pairing procedure. The passkey may be used in the pairing procedures to generate the initial link key.

The PIN may be entered on the UI level but may also be stored in the device; e.g., in the case of a device without sufficient MMI for entering and displaying digits.

3.2.3.2 Terms at user interface level

When the Bluetooth PIN is referred to on the UI level, the term 'Bluetooth Passkey' should be used.



3.2.3.3 Representation

There are a number of different representations of the Bluetooth Passkey. At a high level there are two distinct representations: one used with the Secure Simple Pairing and Security Manager, and another used with legacy pairing (where it is generally referred to as the Bluetooth PIN).

For Secure Simple Pairing and Security Manager, the Bluetooth Passkey is a 6-digit numerical value. It is represented as integer value in the range 0x00000000 – 0x000F423F (000000 to 999999). The numeric value may be used as the input to the Authentication stage 1 for Secure Simple Pairing Passkey Entry (see [Vol 2] Part H, Section 7.2.3), or as the TK value in the Security Manager for the process defined in [Vol 3] Part H, Section 2.3.5.

For legacy pairing (see Section B.2), the Bluetooth PIN has different representations on different levels. PIN_{BB} is used on the Baseband level, and PIN_{UI} is used on the user interface level. PIN_{BB} is the PIN used in [Vol 2] Part H, Section 3.2.1 for calculating the initialization key during the Pairing procedure.

PIN_{UI} is the character representation of the PIN that is entered on the UI level. The transformation from PIN_{UI} to PIN_{BB} shall be according to UTF-8. PIN_{BB} may be 128 bits (16 bytes).

PIN codes may be up to 16 characters. In order to take advantage of the full level of security all PINs should be 16 characters long. Variable PINs should be composed of alphanumeric characters chosen from within the Unicode range U+0000 to U+007F. If the PIN contains any decimal digits these shall be encoded using the Unicode Basic Latin characters (i.e., U+0030 to U+0039) (Note 1).

For compatibility with devices with numeric keypads, fixed PINs shall be composed of only decimal digits, and variable PINs should be composed of only decimal digits.

If a device supports entry of characters outside the Unicode range U+0000 to U+007F, other Unicode code points may be used (Note 2), except the Halfwidth and Fullwidth Forms (i.e., U+FF00 to U+FFEF) shall not be used (Note 3).

Examples:

User-entered code	Corresponding PIN _{BB} [0..length-1] (value as a sequence of octets in hexadecimal notation)
'0196554200906493'	length = 16, value = 0x30 0x31 0x39 0x36 0x35 0x35 0x34 0x32 0x30 0x30 0x39 0x30 0x36 0x34 0x39 0x33
'Børnelitteratur'	length = 16, value = 0x42 0xC3 0xB8 0x72 0x6E 0x65 0x6C 0x69 0x74 0x74 0x65 0x72 0x61 0x74 0x75 0x72



Note 1: This is to prevent interoperability problems since there are decimal digits at other code points (e.g., the Fullwidth digits at code points U+FF10 to U+FF19).

Note 2: Unicode characters outside the Basic Latin range (U+0000 to U+007F) encode to multiple bytes; therefore, when characters outside the Basic Latin range are used the maximum number of characters in the PINUI will be less than 16. The second example illustrates a case where a 15 character string encodes to 16 bytes because the character ø is outside the Basic Latin range and encodes to two bytes (0xC3 0xB8).

Note 3: This is to prevent interoperability problems since the Halfwidth and Fullwidth forms contain alternative variants of ASCII, Katakana, Hangul, punctuation and symbols. All of the characters in the Halfwidth and Fullwidth forms have other related Unicode characters; for example, U+3150 (Hangul Letter AE) can be used instead of U+FFC3 (Halfwidth Hangul Letter AE).

3.2.4 Class of Device

3.2.4.1 Definition

Class of Device is a parameter received during the device discovery procedure on the BR/EDR physical transport, indicating the type of device. The Class of Device parameter is only used on BR/EDR and BR/EDR/LE devices using the BR/EDR physical transport.

3.2.4.2 Term on user interface level

The information within the Class of Device parameter should be referred to as 'Bluetooth Device Class' (i.e., the major and minor device class fields) and 'Bluetooth Service Type' (i.e., the service class field). The terms for the defined Bluetooth Device Classes and Bluetooth Service Types are defined in [3].

When using a mix of information found in the Bluetooth Device Class and the Bluetooth Service Type, the term 'Bluetooth Device Type' should be used.

3.2.4.3 Representation

The Class of Device is a bit field and is defined in [3]. The UI-level representation of the information in the Class of Device is implementation specific.

3.2.4.4 Usage

Some devices provide more than one service and a given service may be provided by different device types. Therefore, the device type does not have a one-to-one relationship with services supported. The major and minor device class field should not be used to determine whether a device supports any specific service(s). It may be used as an indication of devices that are most



likely to support desired services before service discovery requests are made, and it may be used to guide the user when selecting among several devices that support the same service.

3.2.5 Appearance characteristic

3.2.5.1 Definition

The Appearance characteristic contains a 16-bit number that can be mapped to an icon or string that describes the physical representation of the device during the device discovery procedure. It is a characteristic of the GAP service located on the device's GATT Server. See [Section 12.2](#).

3.2.5.2 Usage at user interface level

The Appearance characteristic value should be mapped to an icon or string or something similar that conveys to the user a visual description of the device. This allows the user to determine which device is being discovered purely by visual appearance. If a string is displayed, this string should be translated into the language selected by the user for the device.

3.2.5.3 Representation

The Appearance characteristic value shall be set to one of the 16-bit numbers assigned by the Bluetooth SIG and defined in Section 1.12 of [4]. The UI-level representation of the Appearance characteristic value is implementation specific.

3.2.6 Broadcast Code

3.2.6.1 Definition

The Broadcast_Code parameter is used to support an encrypted BIG. It is used in the process of encrypting the data in the transmission of an encrypted BIG and in the process of decrypting the data in the reception of a BIS within that BIG.

3.2.6.2 Terms at user interface level

When the Broadcast_Code parameter is referred to on the UI level, the term 'Bluetooth Privacy Code' should be used.

3.2.6.3 Representation

The Broadcast_Code parameter has different representations on different levels.



On the UI level, the Broadcast Code parameter shall be represented as a string of at least 4 octets that meets the requirements in [Section 3.2.3.3](#) for a PINUI (e.g., it is not more than 16 octets when represented in UTF-8). 16 octets should be used for higher level of security.

On all levels other than UI, the Broadcast Code parameter shall be represented as a 128-bit value. The transformation from string to number shall be by representing the string in UTF-8, placing the resulting bytes in 8-bit fields of the value starting at the least significant bit, and then padding with zeros in the most significant bits if necessary. For example, the string “Børne House” is represented as the value 0x00000000_6573756F_4820656E_72B8C342.

3.3 PAIRING

Pairing over a BR/EDR physical link is defined on LMP level (LMP pairing, see [Appendix B.2](#)). Pairing over an LE physical link is defined by the Security Manager specification ([\[Vol 3\] Part H, Section 2.3](#)). Either the user initiates the bonding procedure and enters the passkey with the explicit purpose of creating a bond (and maybe also a secure relationship) between two Bluetooth devices, or the user is requested to enter the passkey during the establishment procedure since the devices did not share a common link key beforehand. In the first case, the user is said to perform “bonding (with entering of passkey)” and in the second case the user is said to “authenticate using the passkey.”



4 MODES – BR/EDR PHYSICAL TRANSPORT

Group	Ref.	Mode	Support
Discoverability modes:	4.1	Non-discoverable	C.1
		Discoverable	O
		Limited discoverable	C.3
		General discoverable	C.3
Connectability modes:	4.2	Non-connectable	O
		Connectable	M
Bondable modes:	4.3	Non-bondable	C.4
		Bondable	C.2
Synchronizability modes:	4.4	Non-synchronizable	M
		Synchronizable	C.5
C.1: Mandatory if limited discoverable mode is supported, otherwise optional.			
C.2: Mandatory if the bonding procedure is supported, otherwise optional.			
C.3: Mandatory if Discoverable mode is supported, otherwise optional.			
C.4: Optional if Bondable mode is supported, otherwise mandatory.			
C.5: Mandatory if the Synchronization Train procedure is supported, otherwise excluded.			

Table 4.1: Conformance requirements related to modes defined in this section

4.1 DISCOVERABILITY MODES

With respect to inquiry, a Bluetooth device shall be either in non-discoverable mode or in a discoverable mode. (The device shall be in one, and only one, discoverability mode at a time.) The two discoverable modes defined here are called limited discoverable mode and general discoverable mode. Inquiry is defined in [Vol 2] Part B, Section 8.4.

When a Bluetooth device is in non-discoverable mode it does not respond to inquiry.

A Bluetooth device is said to be made discoverable, or set into a discoverable mode, when it is in limited discoverable mode or in general discoverable mode. Even when a Bluetooth device is made discoverable, it may be unable to respond to inquiry due to other Baseband activity (for example, reserved synchronous slots should have priority over response packets, so that synchronous links may prevent a response from being returned). A Bluetooth device that does not respond to inquiry is called a silent device.

After being made discoverable, the Bluetooth device shall be discoverable for at least $T_{GAP}(103)$.



The speed of discovery is dependent on the configuration of the inquiry scan interval and inquiry scan type of the Bluetooth device. The Host is able to configure these parameters based on trade-offs between power consumption, bandwidth and the desired speed of discovery.

4.1.1 Non-discoverable mode

4.1.1.1 Definition

When a Bluetooth device is in non-discoverable mode, it shall never enter the INQUIRY_SCAN state.

4.1.1.2 Term on UI-level

Bluetooth device is 'non-discoverable' or in 'non-discoverable mode'.

4.1.2 Limited Discoverable mode

4.1.2.1 Definition

The limited discoverable mode should be used by devices that need to be discoverable only for a limited period of time, during temporary conditions, or for a specific event.

There are two common reasons to use limited discoverable mode:

- Limited discoverable mode can be used to allow remote devices using the general inquiry procedure to prioritize or otherwise identify devices in limited discoverable mode when presenting discovered devices to the end user because, typically, the user is interacting with them.
- Limited discoverable mode can also be used to allow remote devices using the limited inquiry procedure to filter out devices using the general discoverable mode.

A Bluetooth device should not be in limited discoverable mode for more than $T_{GAP}(104)$. The scanning for the limited inquiry access code can be done either in parallel or in sequence with the scanning of the general inquiry access code. When in limited discoverable mode, one of the following options shall be used.

- *Parallel scanning*

When a Bluetooth device is in limited discoverable mode and when discovery speed is more important than power consumption or bandwidth, it is recommended that the Bluetooth device enter the INQUIRY_SCAN state at least every $T_{GAP}(105)$ and that Interlaced Inquiry scan is used.

If, however, power consumption or bandwidth is important, but not critical, it is recommended that the Bluetooth device enter the INQUIRY_SCAN state at least every $T_{GAP}(102)$ and Interlaced Inquiry scan is used.



When power consumption or bandwidth is critical it is recommended that the Bluetooth device enter the INQUIRY_SCAN state at least every $T_{GAP}(102)$ and Non-interlaced Inquiry scan is used.

In all cases the Bluetooth device shall enter the INQUIRY_SCAN state at least once in $T_{GAP}(102)$ and scan for the GIAC and the LIAC for at least $T_{GAP}(101)$.

When either a SCO or eSCO link is in operation, it is recommended to use interlaced scan to significantly decrease the discoverability time.

- **Sequential scanning**

When a Bluetooth device is in limited discoverable mode, it shall enter the INQUIRY_SCAN state at least once in $T_{GAP}(102)$ and scan for the GIAC for at least $T_{GAP}(101)$ and enter the INQUIRY_SCAN state more often than once in $T_{GAP}(102)$ and scan for the LIAC for at least $T_{GAP}(101)$.

If an inquiry message is received when in limited discoverable mode, the entry into the INQUIRY_RESPONSE state takes precedence over the next entries into INQUIRY_SCAN state until the inquiry response is completed.

4.1.2.2 Conditions

When a device is in limited discoverable mode it shall set bit number 13 in the Major Service Class part of the Class of Device/Service field [3].

4.1.2.3 Term on UI-level

Bluetooth device is 'discoverable' or in 'discoverable mode'.

4.1.3 General Discoverable mode

4.1.3.1 Definition

The general discoverable mode shall be used by devices that need to be discoverable continuously or for no specific condition.

Devices in the general discoverable mode will not be discovered by devices performing the limited inquiry procedure. General discoverable mode should not be used if it is known that the device performing discovery will be using the limited inquiry procedure (see [Section 6.1](#)).

4.1.3.2 Conditions

When a Bluetooth device is in general discoverable mode and when discovery speed is more important than power consumption or bandwidth, it is recommended that the Bluetooth device enter the INQUIRY_SCAN state at least every $T_{GAP}(105)$ and that Interlaced Inquiry scan is used.



If, however, power consumption or bandwidth is important, but not critical, it is recommended that the Bluetooth device enter the INQUIRY_SCAN state at least every $T_{GAP}(102)$ and Interlaced Inquiry scan is used.

When power consumption or bandwidth is critical it is recommended that the Bluetooth device enter the INQUIRY_SCAN state at least every $T_{GAP}(102)$ and Non-interlaced Inquiry scan is used.

In all cases the Bluetooth device shall enter the INQUIRY_SCAN state at least once in $T_{GAP}(102)$ and scan for the GIAC for at least $T_{GAP}(101)$.

When either a SCO or eSCO link is in operation, it is recommended to use interlaced scan to significantly decrease the discoverability time.

A device in general discoverable mode shall not respond to a LIAC inquiry.

4.1.3.3 Term on UI-level

Bluetooth device is 'discoverable' or in 'discoverable mode'.

4.2 CONNECTABILITY MODES

With respect to paging, a Bluetooth device shall be either in non-connectable mode or connectable mode. Paging is defined in [\[Vol 2\] Part B, Section 8.3](#).

When a Bluetooth device is in non-connectable mode it does not respond to paging. When a Bluetooth device is in connectable mode it responds to paging.

The speed of connections is dependent on the configuration of the page scan interval and page scan type of the Bluetooth device. The Host is able to configure these parameters based on trade-offs between power consumption, bandwidth and the desired speed of connection.

4.2.1 Non-connectable mode

4.2.1.1 Definition

When a Bluetooth device is in non-connectable mode it shall never enter the PAGE_SCAN state.

4.2.1.2 Term on UI-level

Bluetooth device is 'non-connectable' or in 'non-connectable mode'.

4.2.2 Connectable mode



4.2.2.1 Definition

When a Bluetooth device is in connectable mode it shall periodically enter the PAGE_SCAN state. The device performs page scan using the Bluetooth Device Address, BD_ADDR. Connection speed is a trade-off between power consumption / available bandwidth and speed. The Bluetooth Host is able to make these trade-offs using the Page Scan interval, Page Scan window, and Interlaced Scan parameters.

R0 page scanning should be used when connection speeds are critically important and when the paging device has a very good estimate of the Bluetooth clock. Under these conditions it is possible for paging to complete within two times the page scan window. Because the page scan interval is equal to the page scan window it is not possible for any other traffic to go over the Bluetooth link when using R0 page scanning. In R0 page scanning it is not possible to use interlaced scan. R0 page scanning is the highest power consumption mode of operation.

When connection times are critical but the other device either does not have an estimate of the Bluetooth clock or when the estimate is possibly out of date, it is better to use R1 page scanning with a very short page scan interval, $T_{GAP}(106)$, and Interlaced scan. This configuration is also useful to achieve nearly the same connection speeds as R0 page scanning but using less power and leaving bandwidth available for other connections. Under these circumstances it is possible for paging to complete within $T_{GAP}(106)$. In this case the Bluetooth device shall page scan for at least $T_{GAP}(101)$.

When connection times are important but not critical enough to sacrifice significant bandwidth and/or power consumption it is recommended to use either $T_{GAP}(107)$ or $T_{GAP}(108)$ for the scanning interval. Using Interlaced scan will reduce the connection time by half but may use twice the power consumption. Under these circumstances it is possible for paging to complete within one or two times the page scanning interval depending on whether Interlaced Scan is used. In this case the Bluetooth device shall page scan for at least $T_{GAP}(101)$.

In all cases the Bluetooth device shall enter the PAGE_SCAN state at least once in $T_{GAP}(102)$ and scan for at least $T_{GAP}(101)$.

The page scan interval, page scan window size, and scan type for the six scenarios are described in [Table 4.2](#):

Scenario	Page Scan Interval	Page Scan Window	Scan Type
R0 (1.28 s)	$T_{GAP}(107)$	$T_{GAP}(107)$	Normal scan
Fast R1 (100 ms)	$T_{GAP}(106)$	$T_{GAP}(101)$	Interlaced scan

Table 4.2: Page scan parameters for connection speed scenarios



Scenario	Page Scan Interval	Page Scan Window	Scan Type
Medium R1 (1.28 s)	$T_{GAP}(107)$	$T_{GAP}(101)$	Interlaced scan
Slow R1 (1.28 s)	$T_{GAP}(107)$	$T_{GAP}(101)$	Normal scan
Fast R2 (2.56 s)	$T_{GAP}(108)$	$T_{GAP}(101)$	Interlaced scan
Slow R2 (2.56 s)	$T_{GAP}(108)$	$T_{GAP}(101)$	Normal scan

Table 4.2: Page scan parameters for connection speed scenarios

When either a SCO or eSCO link is in operation, it is recommended to use interlaced scan to significantly decrease the connection time.

4.2.2.2 Term on UI-level

Bluetooth device is ‘connectable’ or in ‘connectable mode’.

4.3 BONDABLE MODES

With respect to bonding, a Bluetooth device shall be either in non-bondable mode or in bondable mode. In bondable mode the Bluetooth device accepts bonding initiated by the remote device, and in non-bondable mode it does not.

4.3.1 Non-bondable mode

4.3.1.1 Definition

When a Bluetooth device is in non-bondable mode it shall not accept a pairing request that results in bonding. Devices in non-bondable mode may accept connections that do not request or require bonding.

A device in non-bondable mode shall respond to a received LMP_IN_RAND with LMP_NOT_ACCEPTED with the reason *pairing not allowed*.

When both devices support Secure Simple Pairing and the local device is in non-bondable mode, the local Host shall respond to an IO capability request where the Authentication_Requirements parameter requests dedicated bonding or general bonding with a negative response.

4.3.1.2 Term on UI-level

Bluetooth device is ‘non-bondable’ or in ‘non-bondable mode’ or “does not accept bonding”.

4.3.2 Bondable mode



4.3.2.1 Definition

When a Bluetooth device is in bondable mode, and Secure Simple Pairing is not supported by either the local or remote device, the local device shall respond to a received LMP_IN_RAND with LMP_ACCEPTED (or with LMP_IN_RAND if it has a fixed PIN).

When both devices support Secure Simple Pairing, the local Host shall respond to a user confirmation request with a positive response.

4.3.2.2 Term on UI-level

Bluetooth device is 'bondable' or in 'bondable mode' or "accepts bonding".

4.4 SYNCHRONIZABILITY MODES

A Bluetooth device shall be either in non-synchronizable mode or synchronizable mode. The synchronization train procedure is defined in [\[Vol 2\] Part B, Section 2.7.2](#).

When a Bluetooth device is in synchronizable mode, it transmits timing and frequency information for its active Connectionless Peripheral Broadcast packets. When a Bluetooth device is non-synchronizable, timing and frequency information is not transmitted.

The Host is able to configure the Synchronization Train interval based on trade-offs between bandwidth, potential interference to other devices, power consumption, and the desired time for a Peripheral to receive a synchronization train packet.

4.4.1 Non-synchronizable mode

4.4.1.1 Definition

When a Bluetooth device is in non-synchronizable mode it shall never enter the Synchronization Train substate.

4.4.1.2 Term on UI-level

Bluetooth device is 'non-synchronizable' or in 'non-synchronizable mode'.

4.4.2 Synchronizable mode

4.4.2.1 Definition

When a Bluetooth device is in synchronizable mode, it shall enter the Synchronization Train substate using a synchronization train interval of $T_{GAP}(\text{Sync_Train_Interval})$.



After being made synchronizable, the Bluetooth device shall be synchronizable for at least $T_{\text{GAP}}(\text{Sync_Train_Duration})$.

4.4.2.2 Term on UI-level

Bluetooth device is 'synchronizable' or in 'synchronizable mode'.



5 SECURITY ASPECTS – BR/EDR PHYSICAL TRANSPORT

Procedure	Ref.	Support
Authentication	5.1	M
Security mode 1	5.2.1.1	E
Security mode 2	5.2.1.2	C.1
Security mode 3	5.2.1.3	E
Security mode 4	5.2.2	M
C.1: Security mode 2 may only be used for backwards compatibility when the remote device does not support Secure Simple Pairing.		

Table 5.1: Conformance requirements related to the generic authentication procedure and the security modes defined in this section

5.1 AUTHENTICATION

5.1.1 Purpose

The generic authentication procedure describes how the LMP-authentication and LMP-pairing procedures are used when authentication is initiated by one Bluetooth device towards another, depending on if a link key exists or not and if pairing is allowed or not.

5.1.2 Term on UI level

‘Bluetooth authentication’.



5.1.3 Procedure

Figure 5.1 defines the generic authentication procedure.

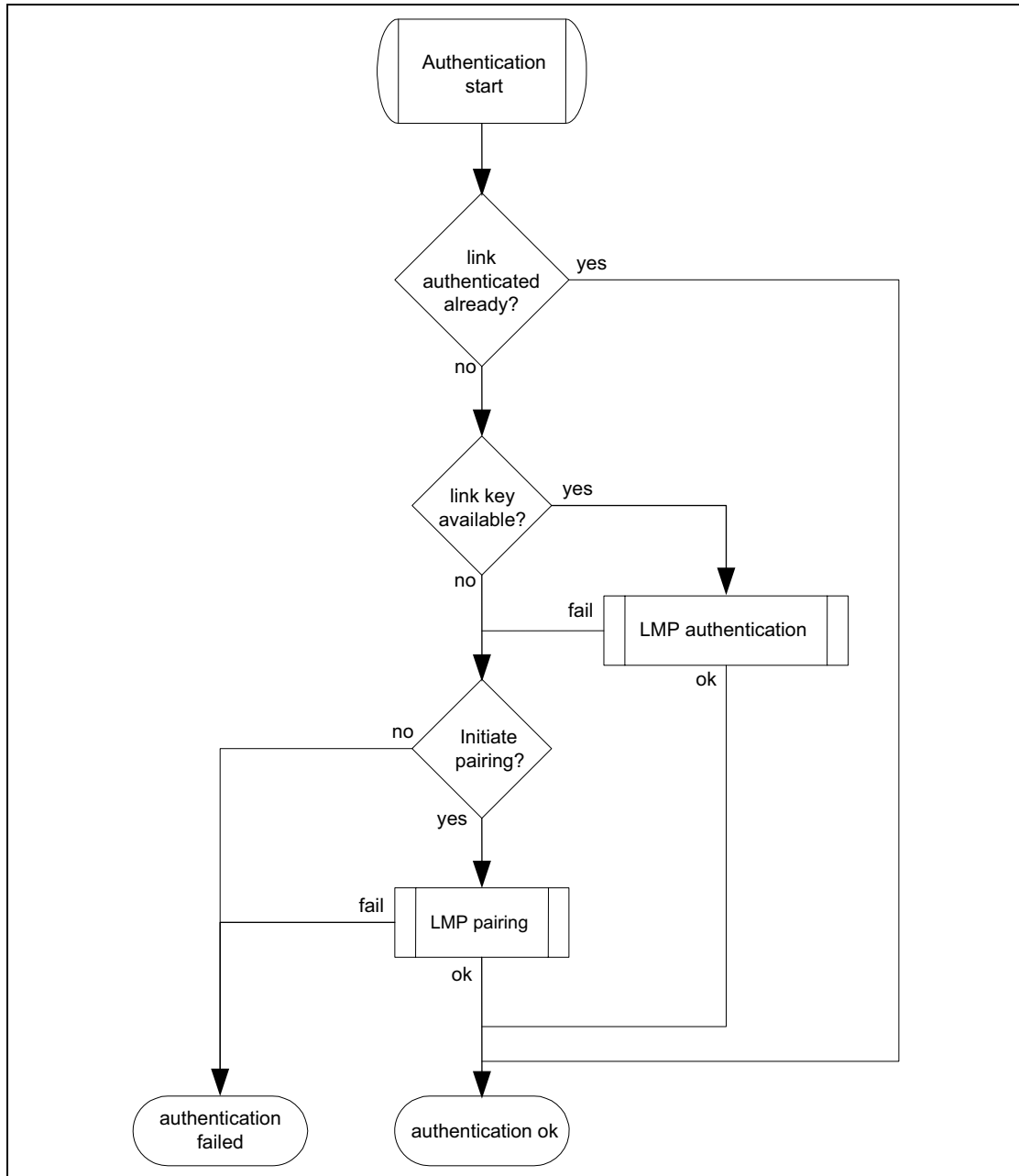


Figure 5.1: Definition of the generic authentication procedure

5.1.4 Conditions

The local device shall initiate authentication after link establishment. The remote device may initiate security during or after link establishment.



5.2 SECURITY MODES

The flow chart in Figure 5.2, including the steps in Figure 5.3, Figure 5.4, and Figure 5.5, specifies the overall channel establishment procedures. The following subsections give more details of these procedures.

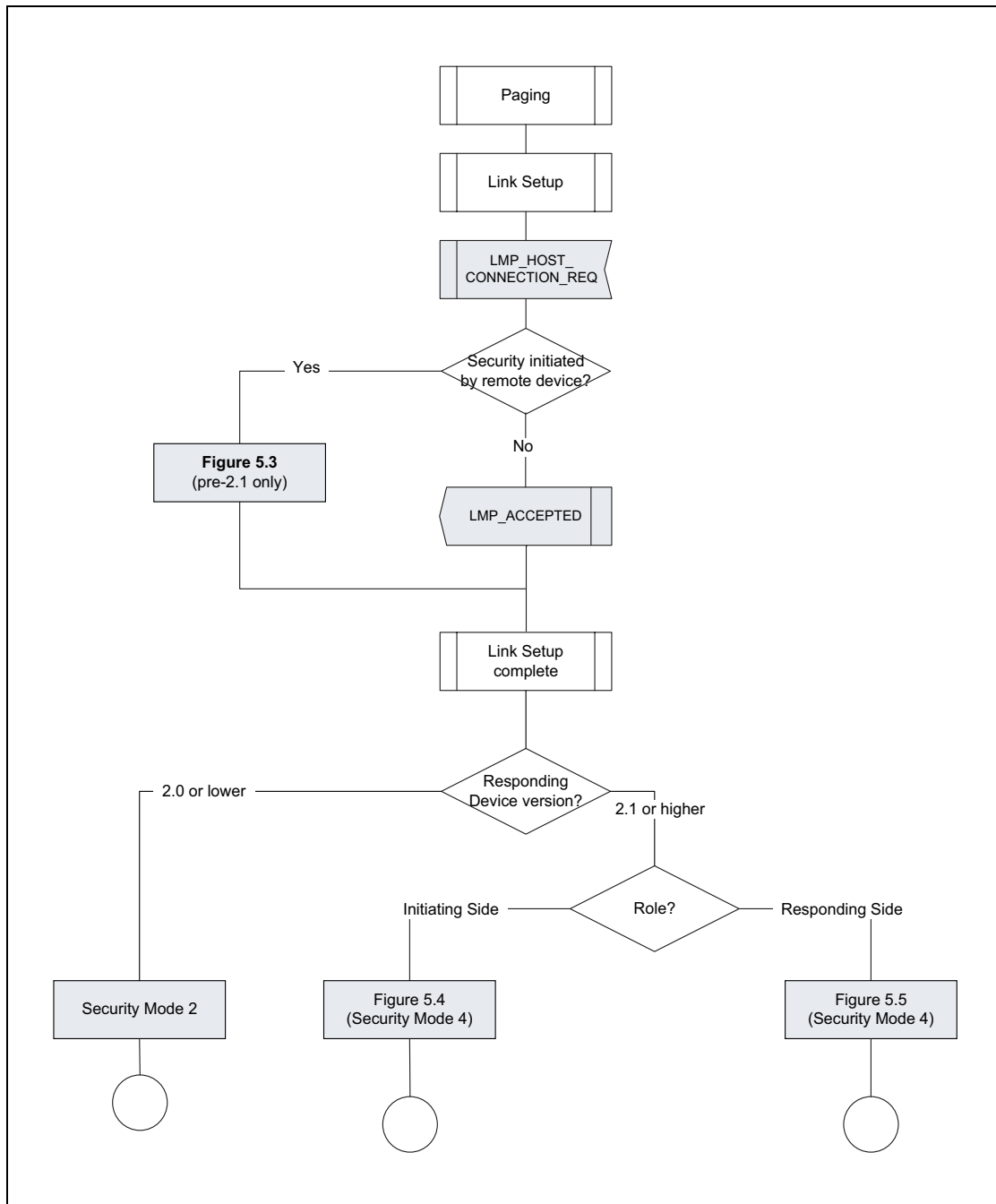


Figure 5.2: Channel establishment with security

A device may support two security modes simultaneously: security mode 2 for backwards compatibility with remote devices that do not support Secure Simple Pairing and security mode 4 for devices that support Secure Simple Pairing.



5.2.1 Legacy security modes

Legacy security modes apply to those devices with a Controller or a Host that does not support SSP.

5.2.1.1 Security mode 1 (non-secure)

When a remote Bluetooth device is in security mode 1 it will never initiate any security procedure (i.e., it will never send LMP_AU_RAND, LMP_IN_RAND or LMP_ENCRYPTION_MODE_REQ).

5.2.1.2 Security mode 2 (service level enforced security)

When a remote Bluetooth device is in security mode 2 it will not initiate any security procedure before a channel establishment request (L2CAP_CONNECTION_REQ) has been received or a channel establishment procedure has been initiated by itself. Whether a security procedure is initiated or not depends on the security requirements of the requested channel or service.

A Bluetooth device in security mode 2 should classify the security requirements of its services using at least the following attributes:

- Authorization required
- Authentication required
- Encryption required

Note: Security mode 1 can be considered (at least from a remote device point of view) as a special case of security mode 2 where no service has registered any security requirements.

5.2.1.3 Security mode 3 (link level enforced security)

When a remote Bluetooth device is in security mode 3 it will initiate security procedures before it sends LMP_SETUP_COMPLETE.

A Bluetooth device in security mode 3 may reject the Host connection request (respond with LMP_NOT_ACCEPTED to the LMP_HOST_CONNECTION_



REQ) based on settings in the Host (e.g., only communication with pre-paired devices allowed).

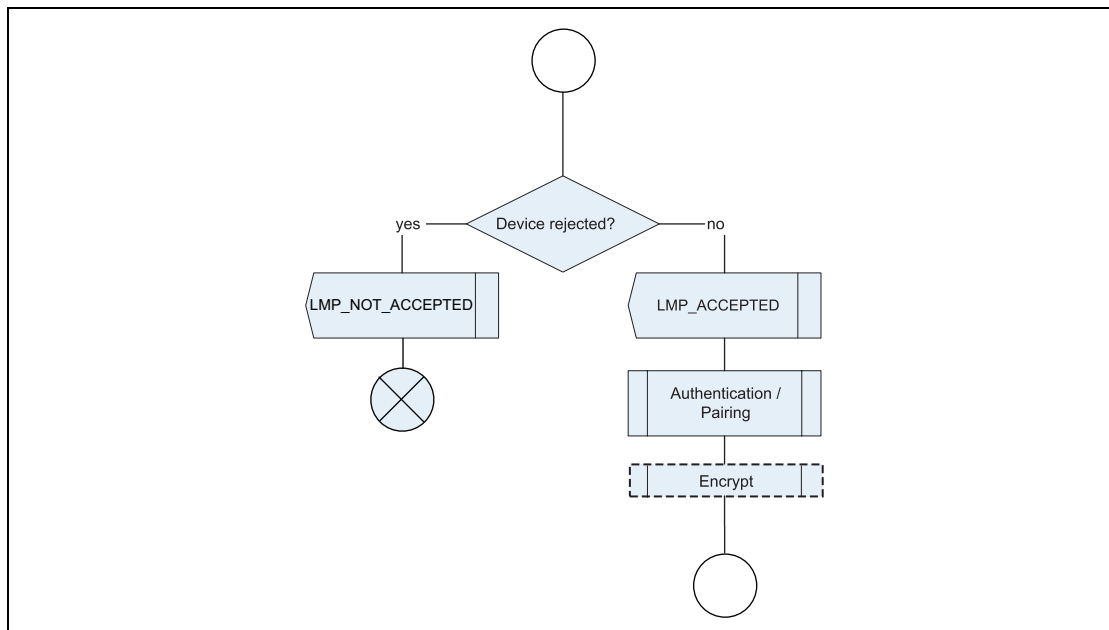


Figure 5.3: Security mode 3 with a legacy remote device

5.2.2 Security mode 4 (service level enforced security)

A Bluetooth device in security mode 4 shall classify the security requirements of its services using at least the following attributes (in order of decreasing security):

- Authenticated link key required
- Unauthenticated link key required
- Security optional; limited to specific services (see [Section 5.2.2.8](#)).

An authenticated link key is a link key where either the numeric comparison, out-of-band, or passkey entry Secure Simple Pairing association models were used. An authenticated link key has protection against man-in-the-middle (MITM) attacks. To ensure that an authenticated link key is created during the Secure Simple Pairing procedure, the Authentication_Requirements parameter should be set to one of the MITM Protection Required options. An *unauthenticated link key* is a link key where the just works Secure Simple Pairing association model was used. An unauthenticated link key does not have protection against MITM attacks.

When both devices support Secure Simple Pairing, GAP shall require at least an unauthenticated link key and enabling encryption for all connections except those allowed to have security level 0 (see [Section 5.2.2.8](#)). A profile or protocol may define services that require more security (e.g., an authenticated link key) or no security (although unencrypted connections are only allowed when connecting to a service allowed to have security level 0). To allow an



unauthenticated link key to be created during the Secure Simple Pairing procedure, the `Authentication_Requirements` parameter may be set to one of the MITM Protection Not Required options.

When the device is in Bondable Mode, it shall enable Secure Simple Pairing mode prior to entering Connectable Mode or establishing a link.

A Bluetooth device in security mode 4 shall respond to authentication requests during link establishment when the remote device is in security mode 3 for backwards compatibility reasons.

A Bluetooth device in security mode 4 enforces its security requirements before it attempts to access services offered by a remote device and before it grants access to services it offers to remote devices. Service access may occur via L2CAP channels or via channels established by protocols above L2CAP such as RFCOMM.

For services transmitting unicast data over the connectionless L2CAP channel, the transmitting device shall enforce its security requirements prior to sending data. There is no mechanism for a device receiving data via the L2CAP connectionless channel to prevent unencrypted data from being received. Hence, [Section 5.2.2.1](#) addresses unicast connectionless data transmission together with devices initiating connection-oriented channels while [Section 5.2.2.2](#) covers only devices responding to requests for connection-oriented channel establishment but does not cover unicast connectionless data reception.

A device may be in a Secure Connections Only mode. When in Secure Connections Only mode, all services (except those allowed to have Security Mode 4, Level 0) available on the BR/EDR physical transport require Security Mode 4, Level 4. The device shall reject both new outgoing and incoming service level connections when the service requires Security Mode 4, Level 4 and either the physical transport does not support Secure Connections or unauthenticated pairing is being requested.

A device operating with a physical transport operating in Secure Connections Only mode may disconnect the ACL connection using error code 0x05 (Authentication Failure) when the physical transport that does not support Secure Connections, tries to access a service that requires Security Mode 4, Level 4.

Note: A device may operate several physical transports simultaneously - in this case all physical transports are required to enable Security Connections Only Mode simultaneously.

5.2.2.1 Security for access to remote service (initiating side)

When the responding device does not support Secure Simple Pairing, it may disconnect the link while the initiating device is requesting the PIN to be



entered by the user. This may occur due to the lack of an L2CAP channel being present for longer than an implementation-specific amount of time (e.g., a few seconds). When this occurs, the initiating device shall allow the user to complete entering the PIN and shall then re-page the remote device and restart the pairing procedure (see [Vol 2] Part C, Section 4.2.2) using the PIN entered.

5.2.2.1.1 Pairing required for access to remote service

When a Bluetooth device in security mode 4 initiates access to a remote service via a connection-oriented L2CAP channel, the service requires security, and a sufficient link-key is not available, the local device shall perform pairing procedures and enable encryption before sending a channel establishment request (an L2CAP connection request or a higher-layer channel establishment request such as that of RFCOMM).

When a Bluetooth device in security mode 4 transmits data to a remote service via the unicast connectionless L2CAP channel and a sufficient link-key is not available, the local device shall perform pairing procedures and enable encryption before transmitting unicast data on the connectionless L2CAP channel.

See Section 5.2.2.8 for details on determining whether or not a link key is sufficient.

If pairing does not succeed, the local device shall not send a channel establishment request. The local device may re-try pairing up to three (3) times. If pairing fails three consecutive times, the local device shall disconnect the ACL link with error code 0x05 - Authentication Failure.

If the link key generated is not at least as good as the expected or required type, the local device shall fail the establishment and may disconnect the ACL link with error code 0x05 - Authentication Failure.

5.2.2.1.2 Authentication required for access to remote service

When a Bluetooth device in security mode 4 initiates access to a remote service via a connection-oriented L2CAP channel and a sufficient link key is available for the remote device, it shall authenticate the remote device and enable encryption before sending a channel establishment request (an L2CAP connection request or a higher layer-channel establishment request such as that of RFCOMM).

When a Bluetooth device in security mode 4 transmits unicast data to a remote service via the connectionless L2CAP channel and security is required for the application and a sufficient link-key is available then the local device shall authenticate the remote device and enable encryption before transmitting unicast data on the L2CAP connectionless channel.



See [Section 5.2.2.8](#) for details on determining whether or not a link key is sufficient.

If authentication is required by the service but does not succeed, or if a sufficient link-key is not available, then the local device shall not enable encryption. If encryption is not enabled or if enabling encryption does not result in the correct encryption type (i.e. AES-CCM or E0), the local device shall not send a channel establishment request and shall not send any unicast data via the L2CAP connectionless channel for that application. The Host may then notify the user and offer to perform pairing.

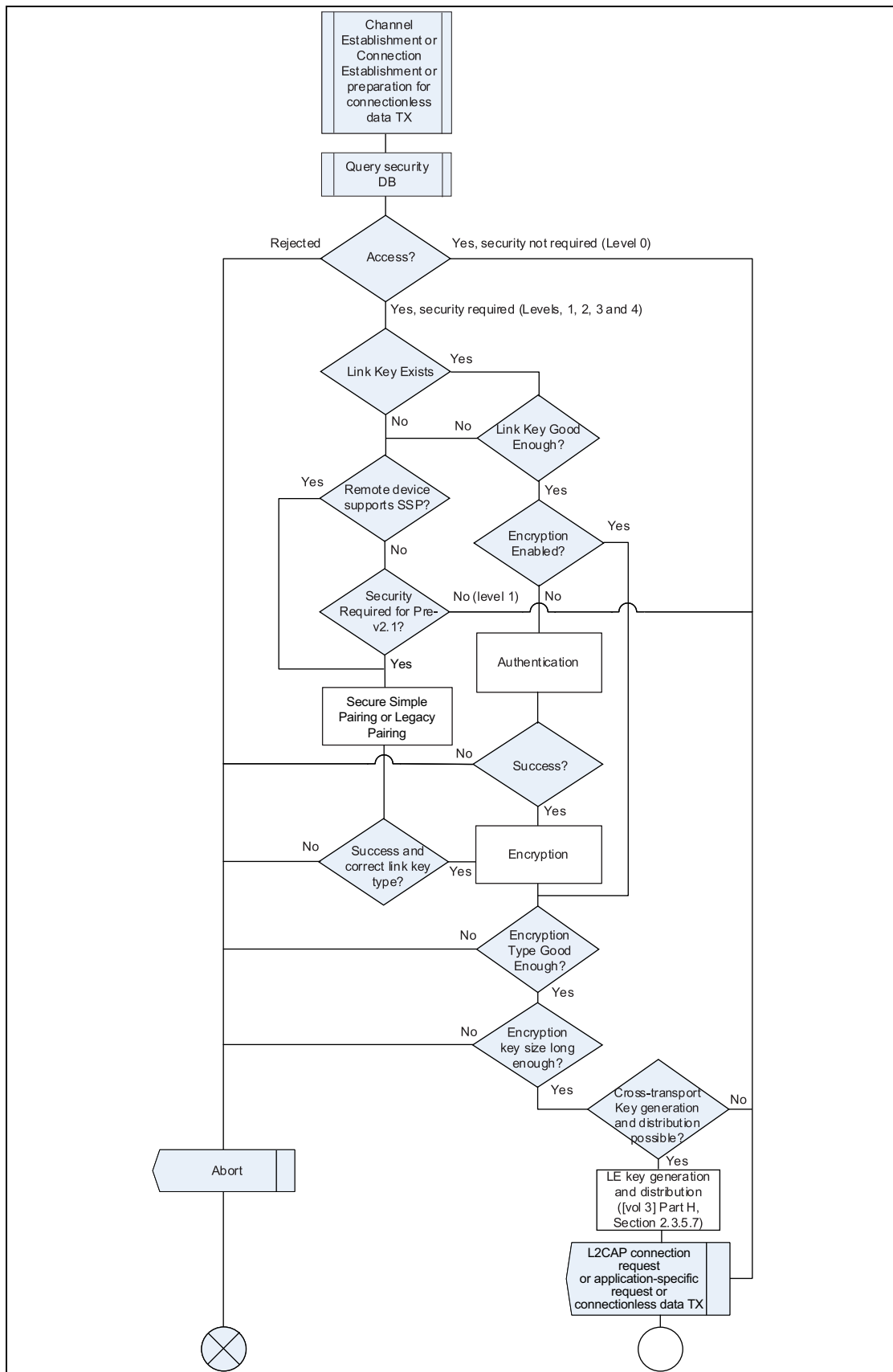


Figure 5.4: Channel establishment using security mode 4 for initiating side



5.2.2.1.3 Cross-transport key generation and distribution

After encryption is enabled and both devices support cross-transport key generation, the Central of the BR/EDR transport may perform LE key generation and distribution ([\[Vol 3\] Part H, Section 2.3.5.7](#)).

If a role switch gets performed after enabling encryption but before the LE keys can be generated and distributed, the new Central may perform LE key generation and distribution once the role switch has completed.

5.2.2.2 Security for access to local service by remote device (responding side)

When a remote device attempts to access a service offered by a Bluetooth device that is in security mode 4 and the service requires security, a sufficient link key exists, and authentication has not been performed, the local device shall authenticate the remote device and enable encryption after the channel establishment request is received but before a channel establishment confirmation (L2CAP connection response with result code of 0x0000 or a higher-level channel establishment confirmation such as that of RFCOMM) is sent.

When L2CAP is the channel establishment protocol being used for the requested service, an L2CAP connection response signaling packet shall be sent by the responding device containing a pending result code following receipt of an L2CAP connection request and prior to initiating security procedures which can result in prompting the local user for input (e.g., pairing using a PIN or Secure Simple Pairing using either the Passkey entry or Numerical Comparison association models). This will stop the L2CAP RTX timer on the remote device (which may be as short as 1 second) and will invoke the ERTX timer on the remote device, which is a minimum duration of 60 seconds.

See [\[Vol 3\] Part A, Section 6.2](#) for additional information on L2CAP RTX and ERTX timers. See also [\[Vol 3\] Part A, Section 4.3](#) and [\[Vol 3\] Part A, Section 4.26](#) for additional information on the L2CAP connection response signaling packets and the defined result codes.

Higher layer channel establishment protocols should be designed to restrict timeouts to be 30 seconds or longer to allow for user input, or provide mechanisms to dynamically extend timeouts when user input may be required.

If authentication or pairing fails when a remote device is attempting to access a local service, the local device shall send a negative response to the channel establishment request (L2CAP connection request or application-specific channel establishment request) indicating a security issue if possible. If the channel establishment protocol is L2CAP, then the result code in the L2CAP connection response shall be set to indicate that the connection was refused due to security reasons. If an L2CAP_CONNECTION_RSP is being sent, then



the result code shall be set to 0x0003 (connection refused - security block). If an L2CAP_CREDIT_BASED_CONNECTION_RSP is being sent, then the result code shall be set to 0x0005 (All connections refused - insufficient authentication), 0x0006 (All connections refused - insufficient authorization), 0x0007 (All connections refused - encryption key size too short), or 0x0008 (All connections refused - insufficient encryption).

If the remote device has indicated support for Secure Simple Pairing, a channel establishment request is received for a service other than SDP, and encryption has not yet been enabled, then the local device shall disconnect the ACL link with error code 0x05 - Authentication Failure.

5.2.2.2.1 Pairing required for access to local service by remote device

When a remote device attempts to access a service offered by a Bluetooth device that is in security mode 4 and pairing is required due to the link key being absent or insufficient, the local device shall perform pairing procedures and enable encryption after the channel establishment request is received and before a channel establishment confirmation (L2CAP connection response with result code of 0x0000 or a higher-level channel establishment response such as that of RFCOMM) is sent.

See [Section 5.2.2.6](#) for details on determining whether or not a link key is sufficient.

If pairing does not succeed, then the local device shall not send a channel establishment confirmation. The local device may retry pairing up to three (3) times. If pairing fails three consecutive times, then the local device shall disconnect the ACL link with error code 0x05 - Authentication Failure.

If the link-key generated is not at least as good as the expected or required type or if enabling encryption does not result in the correct encryption type (i.e. AES-CCM or E0), then the local device shall fail the channel establishment and may disconnect the ACL link with error code 0x05 - Authentication Failure.

5.2.2.2.2 Authentication required for access to local service by remote device

See [Section 5.2.2.6](#) for details on determining whether or not a link key is sufficient.

If authentication does not succeed, then the local device shall not send a channel establishment confirmation. The Host may at this point notify the user and offer to perform pairing.

A Bluetooth device in security mode 4 shall respond to authentication and pairing requests during link establishment when the remote device is in security mode 3 for backwards compatibility reasons. However, authentication of the



remote device shall be performed after the receipt of the channel establishment request is received, and before the channel establishment response is sent.

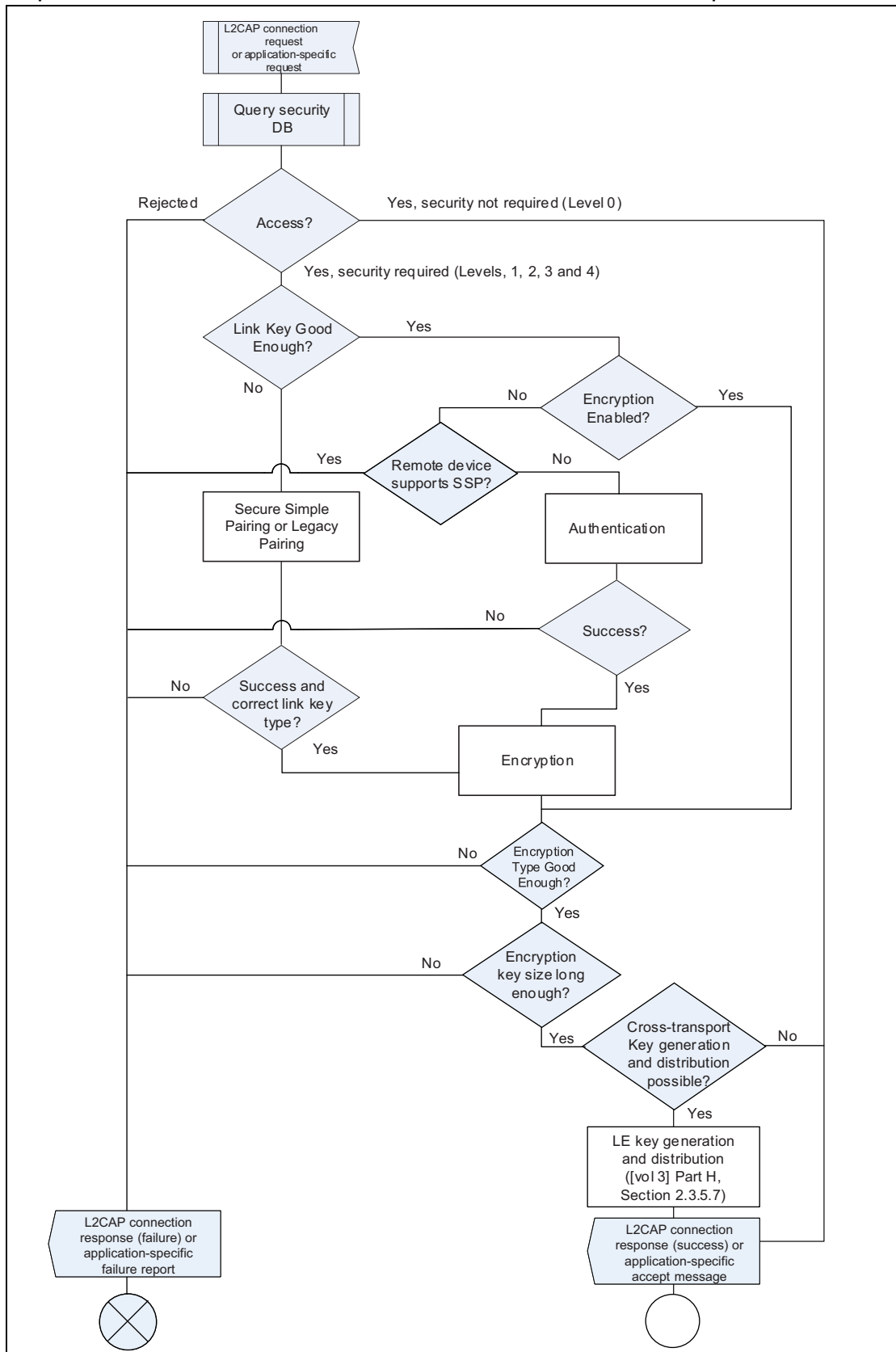


Figure 5.5: Channel establishment using security mode 4 for the responding side



5.2.2.2.3 Cross-transport key generation and distribution

After encryption is enabled and both devices support cross-transport key generation, the Central of the BR/EDR transport may perform LE key generation and distribution ([Vol 3] Part H, Section 2.3.5.7).

If a role switch gets performed after enabling encryption but before the LE keys can be generated and distributed, the new Central may perform LE key generation and distribution once the role switch has completed.

5.2.2.3 Secure Simple Pairing after authentication failure

When both devices support Secure Simple Pairing all non-SDP connections are encrypted regardless of whether security was required or whether the devices are bonded or not. The initial connection between the two devices will result in a link key through Secure Simple Pairing. Depending on whether or not bonding was performed and the security policy of the initiating device, the link key may be stored. When the link key is stored, subsequent connections to the same device will use authentication but this may fail if the remote device has deleted the link key. Table 5.2 defines what shall be done depending on the type of the link key and whether bonding was performed or not.

Link Key Type	Devices Bonded?	Action to take when Authentication Fails
Combination	No	Depends on security policy of the device: <ul style="list-style-type: none"> Option 1: Automatically initiate pairing Option 2: Notify user and ask if pairing is ok Option 2 is recommended.
Combination	Yes	Notify user of security failure
Unauthenticated	No	Depends on security policy of the device: <ul style="list-style-type: none"> Option 1: Automatically initiate secure simple pairing Option 2: Notify user and ask if secure simple pairing is ok Option 1 is recommended.
Unauthenticated	Yes	Notify user of security failure
Authenticated	No	Depends on security policy of the device: <ul style="list-style-type: none"> Option 1: Automatically initiate secure simple pairing Option 2: Notify user and ask if secure simple pairing is ok Option 2 is recommended.
Authenticated	Yes	Notify user of security failure

Table 5.2: Secure Simple Pairing after authentication failure

Non-bonded authenticated or unauthenticated link keys may be considered disposable by either device and may be deleted at any time.



5.2.2.4 IO capabilities

Once a connection is established, if the Host determines that security is necessary and both devices support Secure Simple Pairing, the devices perform an IO capability exchange. The purpose of the IO capability exchange is to determine the authentication algorithm used in the Authentication stage 1 phase of Secure Simple Pairing.

The input and output capabilities are described in [Table 5.3](#):

Capability	Description
No input	Device does not have the ability to indicate 'yes' or 'no'
Yes / No	Device has at least two buttons that are mapped easily to 'yes' and 'no' or the device has a mechanism whereby the user can indicate either 'yes' or 'no' (see note below).
Keyboard	Device has a numeric keyboard that can input the numbers '0' to '9' and a confirmation. Device also has two buttons that can be easily mapped to 'yes' and 'no' or the device has a mechanism whereby the user can indicate either 'yes' or 'no' (see Note below).

Table 5.3: User input capabilities

Note: 'yes' could be indicated by pressing a button within a certain time limit otherwise 'no' would be assumed.

Capability	Description
No output	Device does not have the ability to display or communicate a 6 digit decimal number
Numeric output	Device has the ability to display or communicate a 6 digit decimal number

Table 5.4: User output capabilities

5.2.2.5 Mapping of input / output capabilities to IO capability

The individual input and output capabilities are mapped to a single IO capability which is later used to determine which authentication algorithm will be used.

		Local Output Capability	
		No Output	Numeric Output
Local Input Capability	No input	NoInputNoOutput	DisplayOnly
	Yes / No	NoInputNoOutput	DisplayYesNo
	Keyboard	KeyboardOnly	DisplayYesNo

Table 5.5: IO capability mapping



When a device has OOB authentication information from the remote device, it will indicate it in the LMP_IO_CAPABILITY_RES PDU. When either device has OOB information, the OOB association model will be used.

The Host may allow the Link Manager to ignore the IO capabilities and use the Numeric Comparison protocol with automatic accept by setting the Authentication_Requirements parameter to one of the MITM Protection *Not Required* options.

5.2.2.6 IO and OOB capability mapping to authentication stage 1 method

Determining which association model to use in Authentication stage 1 is performed in three steps. First, the devices look at the OOB Authentication Data Present parameter received in the remote IO capabilities. If either device has received OOB authentication data then the OOB association model is used. The event of receiving the OOB information is indicated by a device to its peer in the IO Capability Exchange step of Secure Simple Pairing.

		Device A	
		Has not received remote OOB authentication data	Has received remote OOB authentication data
Device B	Has not received remote OOB authentication data	Use the IO capability mapping table	Use OOB association with ra = 0 rb from OOB
	Has received remote OOB authentication data	Use OOB association with ra from OOB rb = 0	Use OOB association with ra from OOB rb from OOB

Table 5.6: IO and OOB capability mapping

Second, if neither device has received OOB authentication data and if both devices have set the Authentication_Requirements parameter to one of the MITM Protection Not Required options, authentication stage 1 shall function as if both devices set their IO capabilities to DisplayOnly (e.g., Numeric comparison with automatic confirmation on both devices).

Finally, if neither device has received OOB authentication data and if one or both devices have set the Authentication_Requirements parameter to one of the *MITM Protection Required* options, the IO and OOB capabilities are mapped to the authentication stage 1 method as defined in Table 5.7. A Host that has set the Authentication_Requirements parameter to one of the *MITM Protection Required* options shall verify that the resulting Link Key is an Authenticated Combination Key (see [Vol 4] Part E, Section 7.7.24). Table 5.7 also lists whether the combination key results in an authenticated or unauthenticated link key.



		Device A (Initiator)			
		Display Only	DisplayYesNo	KeyboardOnly	NoInputNoOutput
Device B (Responder)	DisplayOnly	Numeric Comparison with automatic confirmation on both devices. Un-authenticated	Numeric Comparison with automatic confirmation on device B only. Un-authenticated	Passkey Entry: Responder Display, Initiator Input. Authenticated	Numeric Comparison with automatic confirmation on both devices. Unauthenticated
	DisplayYes No	Numeric Comparison with automatic confirmation on device A only. Un-authenticated	Numeric Comparison: Both Display, Both Confirm. Authenticated	Passkey Entry: Responder Display, Initiator Input. Authenticated	Numeric Comparison with automatic confirmation on device A only and Yes/No confirmation whether to pair on device B. Device B does not show the confirmation value. Unauthenticated
	Keyboard Only	Passkey Entry: Initiator Display, Responder Input. Authenticated	Passkey Entry: Initiator Display, Responder Input. Authenticated	Passkey Entry: Initiator and Responder Input. Authenticated	Numeric Comparison with automatic confirmation on both devices. Unauthenticated
	NoInputNo Output	Numeric Comparison with automatic confirmation on both devices. Un-authenticated	Numeric Comparison with automatic confirmation on device B only and Yes/No confirmation on whether to pair on device A. Device A does not show the confirmation value. Un-authenticated	Numeric Comparison with automatic confirmation on both devices. Un-authenticated	Numeric Comparison with automatic confirmation on both devices. Unauthenticated

Table 5.7: IO capability mapping to authentication stage 1



Note: The "DisplayOnly" IO capability only provides unidirectional authentication.

5.2.2.7 Out of Band (OOB)

An out of band mechanism may also be used to communicate discovery information as well as other information related to the pairing process.

The contents of the OOB data block are:

Mandatory contents:

- Length (2 bytes)
- BD_ADDR (6 bytes)

Optional contents:

- Class of Device (3 bytes)
- Secure Simple Pairing Hash C (16 bytes)
- Secure Simple Pairing Randomizer R (16 bytes)
- Local name (variable length)
- Other information

The length field includes all bytes in the OOB data block including the length field itself. The BD_ADDR will be a fixed field in the beginning of the OOB data block. Following the BD_ADDR will be zero or more EIR tag fields containing optional contents. The EIR tag format will be used for the optional contents. See [Figure 5.6](#).

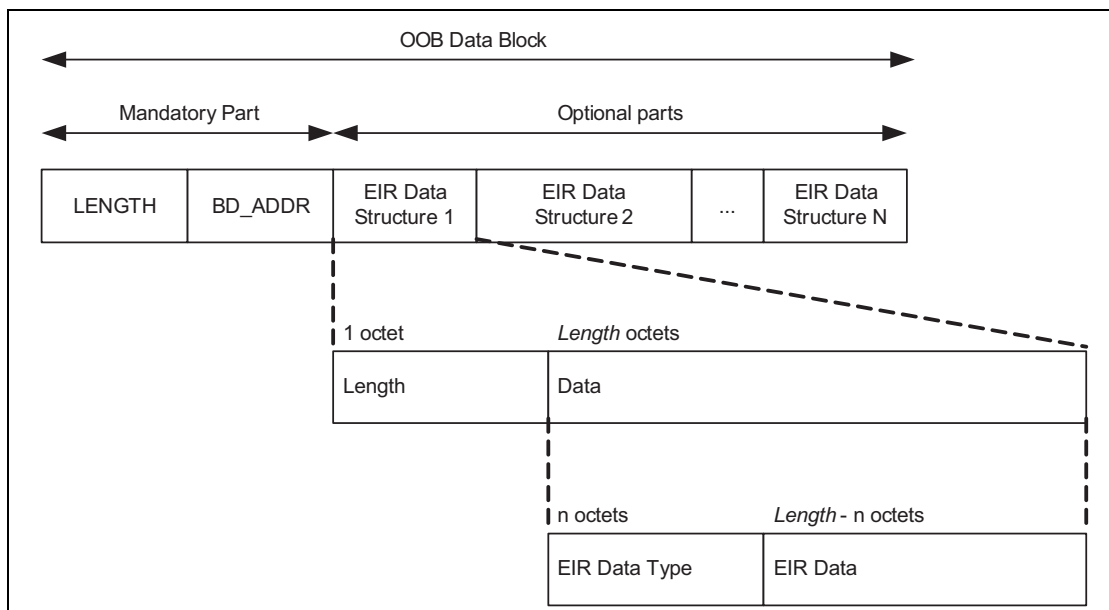


Figure 5.6: OOB data block format



If Secure Simple Pairing fails when one or both devices have OOB Authentication Data present, both devices shall discard the OOB Authentication Data and the device that originally initiated authentication shall re-initiate authentication. Although the user may get involved in authentication as defined by the IO capabilities of the two devices, falling back to the in-band association model will prevent deadlock conditions when one or both devices has stale OOB Authentication Data.

There is a MIME type defined for use with the OOB data format. The MIME type can be found from the following link: <http://www.iana.org/assignments/media-types/application/vnd.bluetooth.ep.oob>

5.2.2.8 Security database

A Bluetooth device in security mode 4 shall classify and enforce the security requirements of its services using the following levels attributes (in order of decreasing security) for use when pairing with remote devices supporting Secure Simple Pairing:

- Level 4, for services with the following attributes:
 - Authentication of the remote device required
 - MITM protection required
 - 128-bit equivalent strength for link and encryption keys required using FIPS approved algorithms (E0 not allowed, SAFER+ not allowed, and P-192 not allowed; encryption key not shortened)
 - User interaction acceptable
- Level 3, for services with the following attributes:
 - Authentication of the remote device required
 - MITM protection required
 - Encryption required
 - At least 56-bit equivalent strength for encryption key should be used
 - User interaction acceptable
- Level 2, for services with the following attributes:
 - Authentication of the remote device required
 - MITM protection not required
 - Encryption required
 - At least 56-bit equivalent strength for encryption key should be used
- Level 1, for services with the following attributes:
 - Authentication of the remote device required when encryption is enabled
 - MITM protection not required
 - At least 56-bit equivalent strength for encryption key when encryption is enabled should be used
 - Minimal user interaction desired



- Level 0: Service requires the following:
 - Authentication of the remote device not required
 - MITM protection not required
 - No encryption required
 - No user interaction required
- Security Mode 4 Level 0 shall only be used for:
- a) L2CAP fixed signaling channels with CIDs 0x0001, 0x0003, and 0x003F
 - b) SDP
 - c) broadcast data sent on the connectionless L2CAP channel (CID 0x0002)
 - d) services with the combinations of Service Class UUIDs and L2CAP traffic types listed in Section 1 of [5].

The security level required for each service offered should be stored in a security database that is accessed to determine the type of link key and the encryption key size that is required for access to the respective service. The security level required for service data transmitted on an L2CAP connection-oriented channel may differ from the security level required for service data transmitted on another L2CAP connection-oriented channel or on the connectionless L2CAP channel. Table 5.8 shows the type of link key required for each security level for both remote devices that support Secure Simple Pairing and for those that do not.

Security Level Required for Service	Link Key type required for remote devices that support SSP	Link Key type required for remote devices that do not support SSP	Comments
Level 4 <ul style="list-style-type: none"> • Authentication of the remote device required • MITM protection required • Encryption required • User interaction acceptable 	Authenticated (P-256 based Secure Simple Pairing and Secure Authentication)	NA	Highest Security Only possible when both devices support Secure Connections
Level 3 <ul style="list-style-type: none"> • Authentication of the remote device required • MITM protection required • Encryption required • User interaction acceptable 	Authenticated	Combination (16 digit PIN recommended)	High Security

Table 5.8: Security level mapping to link key requirements



Security Level Required for Service	Link Key type required for remote devices that support SSP	Link Key type required for remote devices that do not support SSP	Comments
Level 2 <ul style="list-style-type: none"> • Authentication of the remote device required • MITM protection not necessary • Encryption desired 	Unauthenticated	Combination	Medium Security
Level 1 <ul style="list-style-type: none"> • Authentication of the remote device required when encryption is enabled • MITM protection not necessary • Encryption not necessary¹ • Minimal user interaction desired 	Unauthenticated	None	Low Security
Level 0 <ul style="list-style-type: none"> • Authentication of the remote device not required • MITM protection not necessary • Encryption not necessary • No user interaction desired 	None	None	Permitted only for SDP and service data sent via either L2CAP fixed signaling channels or the L2CAP connectionless channel to PSMs that correspond to service class UUIDs which are allowed to utilize Level 0.

Table 5.8: Security level mapping to link key requirements

1. Though encryption is not necessary for the service for Level 1, the specification mandates the use of encryption for all services other than SDP when the remote device supports SSP.

An *authenticated* link key is a link key where either the numeric comparison, out-of-band, or passkey entry Secure Simple Pairing association models were used. An authenticated link key has protection against MITM attacks. To ensure that an authenticated link key is created during the Secure Simple Pairing procedure, the Authentication_Requirements parameter should be set to one of the *MITM Protection Required* options.

An *unauthenticated* link key is a link key where the “Just Works” Secure Simple Pairing association model was used (see [Vol 1] Part A, Section 5.2.4). An unauthenticated link key does not have protection against MITM attacks. To allow an unauthenticated link key to be created during the Secure Simple Pairing procedure, the Authentication_Requirements parameter may be set to one of the *MITM Protection Not Required* options.



When both devices support Secure Simple Pairing and at least one device does not support Secure Connections, the strength of the link key is 96 effective bits. When both devices support Secure Connections, the strength of the link key is 128 effective bits. Secure Connections does not change the protection against MITM attacks.

A combination link key is a link key where BR/EDR Legacy Pairing was used to generate the link-key (see [\[Vol 2\] Part C, Section 4.2.2.4](#)).

When both devices support Secure Simple Pairing, GAP shall require at least an unauthenticated link key and enable encryption for service traffic sent or received via connection-oriented L2CAP channels. A profile or protocol may define services that require more security (for example, an authenticated link key) or no security in the case of SDP or service traffic sent via the L2CAP connectionless channel for services that do not require security.

When the device is in Bondable Mode, it shall enable Secure Simple Pairing mode prior to entering Connectable Mode or establishing a link.

A Bluetooth device in security mode 4 shall respond to authentication and pairing requests during link establishment when the remote device is in security mode 3 for backwards compatibility reasons. See [Section 5.2.1.3](#) for more information.

The remote Controller's and remote Host's support for Secure Simple Pairing shall be determined by the Link Manager Secure Simple Pairing (Host Support) feature bit.

A previously generated link key is considered "sufficient" if the link key type is of the type required for the service, or of a higher strength. Authenticated link keys are considered higher strength than Unauthenticated or Combination keys. Unauthenticated link keys are considered higher strength than Combination keys.

A device shall enforce an encryption key with at least 128-bit equivalent strength for all services that require Security Mode 4, Level 4. For all other services that require encryption, a device should enforce an encryption key with at least 56-bit equivalent strength, irrespective of whether the remote device supports Secure Simple Pairing.

After encryption has been enabled, the Host should check the encryption key size using either the HCI_Read_Encryption_Key_Size command (see [\[Vol 4\] Part E, Section 7.5.7](#)) or a vendor-specific method.



6 IDLE MODE PROCEDURES – BR/EDR PHYSICAL TRANSPORT

The requirements for devices initiating the inquiry and discovery procedures (device A) are specified in [Table 6.1](#). The requirements on the behavior of the responding device (device B) are specified in [Table 4.1](#).

Procedure	Ref.	Support
General inquiry	6.1	C.1
Limited inquiry	6.2	C.1
Name discovery	6.3	O
Device discovery	6.4	O
Bonding	6.5	O

C.1: If initiation of bonding is supported, support for at least one inquiry procedure is mandatory, otherwise optional.
 Note: Support for LMP-pairing is mandatory (see [\[Vol 2\] Part C, Section 4.2.2](#)).

Table 6.1: Requirements for initiating inquiry and discovery procedures

6.1 GENERAL INQUIRY

6.1.1 Purpose

The purpose of the general inquiry procedure is to provide the initiator with the Bluetooth Device Address, clock, Class of Device, and extended inquiry response information of devices in either general discoverable mode or limited discoverable mode.

The general inquiry procedure should be used for general purpose discovery, i.e. to discover all discoverable devices regardless of whether they are in general discoverable mode or limited discoverable mode. A device which discovers devices using the general inquiry procedure and presents them to users in some fashion should distinguish devices in the limited discoverable mode from those in the general discoverable mode, e.g., by sorting them to the top of a list of discovered devices or highlighting them in some way.

Note: The rationale for distinguishing the devices in limited discoverable mode to the end user is that devices typically enter limited discoverable mode only after explicit action by the end user, indicating that the user’s immediate goal is to discover and interact with that specific device.

6.1.2 Term on UI level

‘Bluetooth Device Inquiry’.



6.1.3 Description

Figure 6.1 specifies the procedure.

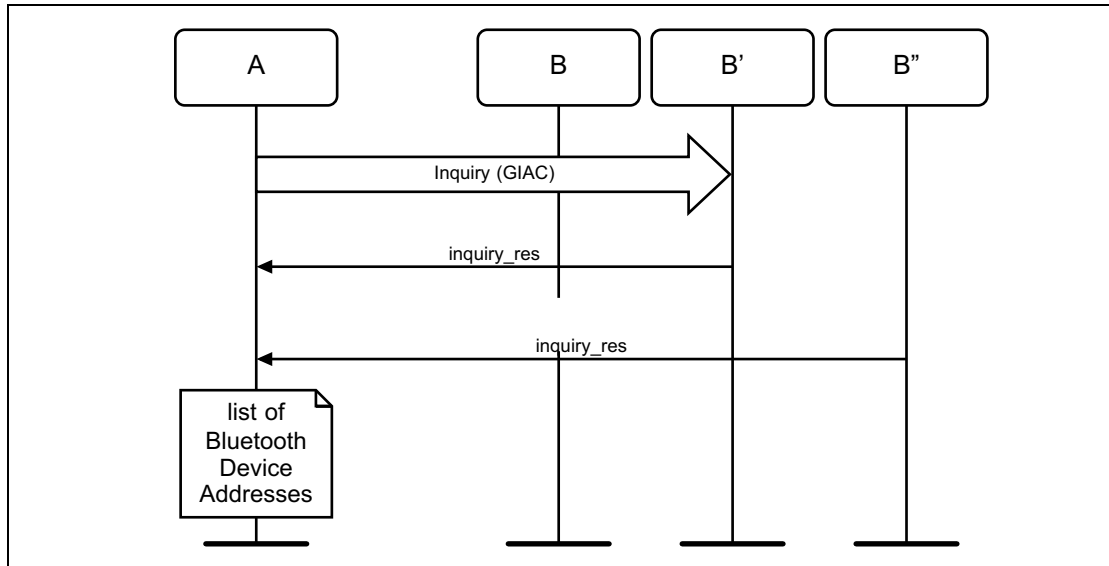


Figure 6.1: General inquiry, where B is a device in non-discoverable mode, B' is a device in limited discoverable mode and B'' is a device in general discoverable mode. (Note: All discoverable devices are discovered using general inquiry, independent of which discoverable mode they are in.)

6.1.4 Conditions

When general inquiry is initiated by a Bluetooth device, the INQUIRY state shall last $T_{GAP}(100)$ or longer, unless the inquirer collects enough responses and determines to abort the INQUIRY state earlier. The Bluetooth device shall perform inquiry using the GIAC.

In order for Device A to receive inquiry responses, the remote devices in range have to be made discoverable (limited or general).

6.2 LIMITED INQUIRY

6.2.1 Purpose

The purpose of the limited inquiry procedure is to provide the initiator with the Bluetooth Device Address, clock, Class of Device, and extended inquiry response information of limited discoverable devices. The latter devices are devices that are in range with regard to the initiator, and set to scan for inquiry messages with the Limited Inquiry Access Code.

The limited inquiry procedure should only be used when it is known that the devices to be discovered are using limited discoverable mode. The general inquiry procedure (see Section 6.1) should be used for general purpose discovery when it is desired to discover all devices regardless of whether they are using limited discoverable mode or general discoverable mode.



6.2.2 Term on UI level

'Bluetooth Device Inquiry'

6.2.3 Description

Figure 6.2 specifies the procedure.

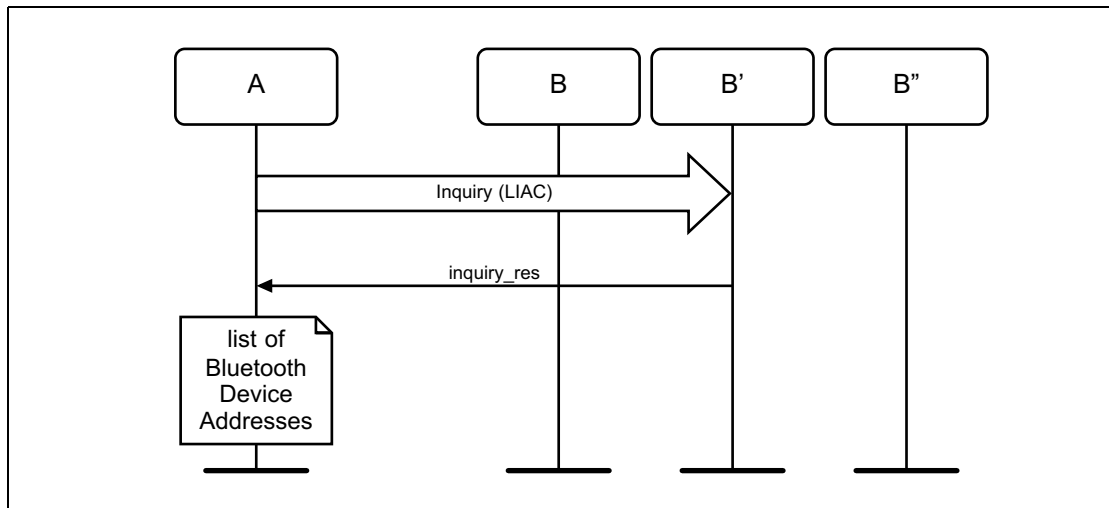


Figure 6.2: Limited inquiry where B is a device in non-discoverable mode, B' is a device in limited discoverable mode and B'' is a device in general discoverable mode. (Note: Only limited discoverable devices can be discovered using limited inquiry.)

6.2.4 Conditions

When limited inquiry is initiated by a Bluetooth device, the INQUIRY state shall last $T_{GAP}(100)$ or longer, unless the inquirer collects enough responses and determines to abort the INQUIRY state earlier. The Bluetooth device shall perform inquiry using the LIAC.

In order for Device A to receive inquiry responses, the remote devices in range has to be made limited discoverable.

6.3 NAME DISCOVERY

6.3.1 Purpose

The purpose of name discovery is to provide the initiator with the Bluetooth Device Name of connectable devices (i.e., devices in range that will respond to paging).

6.3.2 Term on UI level

'Bluetooth Device Name Discovery'

6.3.3 Description

6.3.3.1 Name Request

Name request is the procedure for retrieving the Bluetooth Device Name from a connectable Bluetooth device. It is not necessary to perform the full link establishment procedure (see [Section 7.1](#)) in order to just to get the name of another device. [Figure 6.3](#) specifies the procedure.

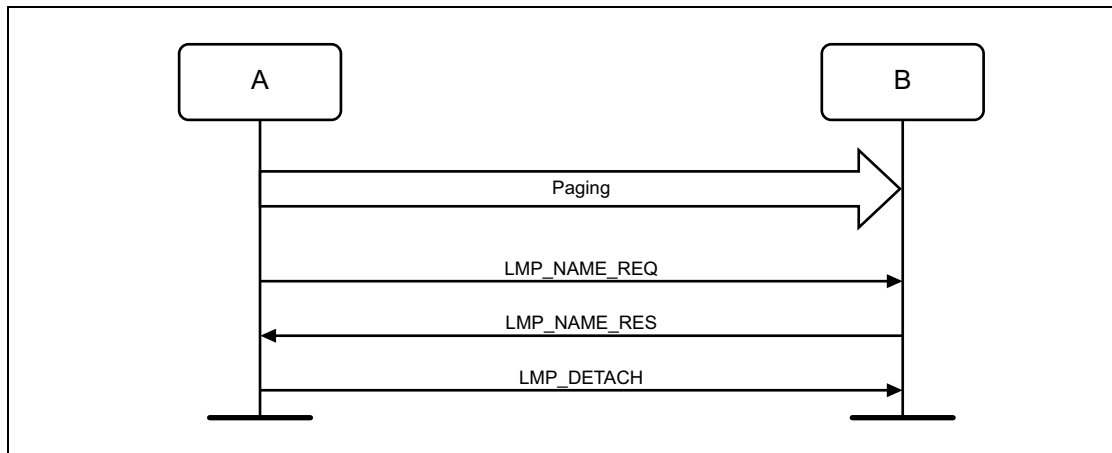


Figure 6.3: Name Request procedure

6.3.3.2 Name Discovery

Name discovery is the procedure for retrieving the Bluetooth Device Name from connectable Bluetooth devices by performing name request towards



known devices (i.e., Bluetooth devices for which the Bluetooth Device Addresses are available). Figure 6.4 specifies the procedure.

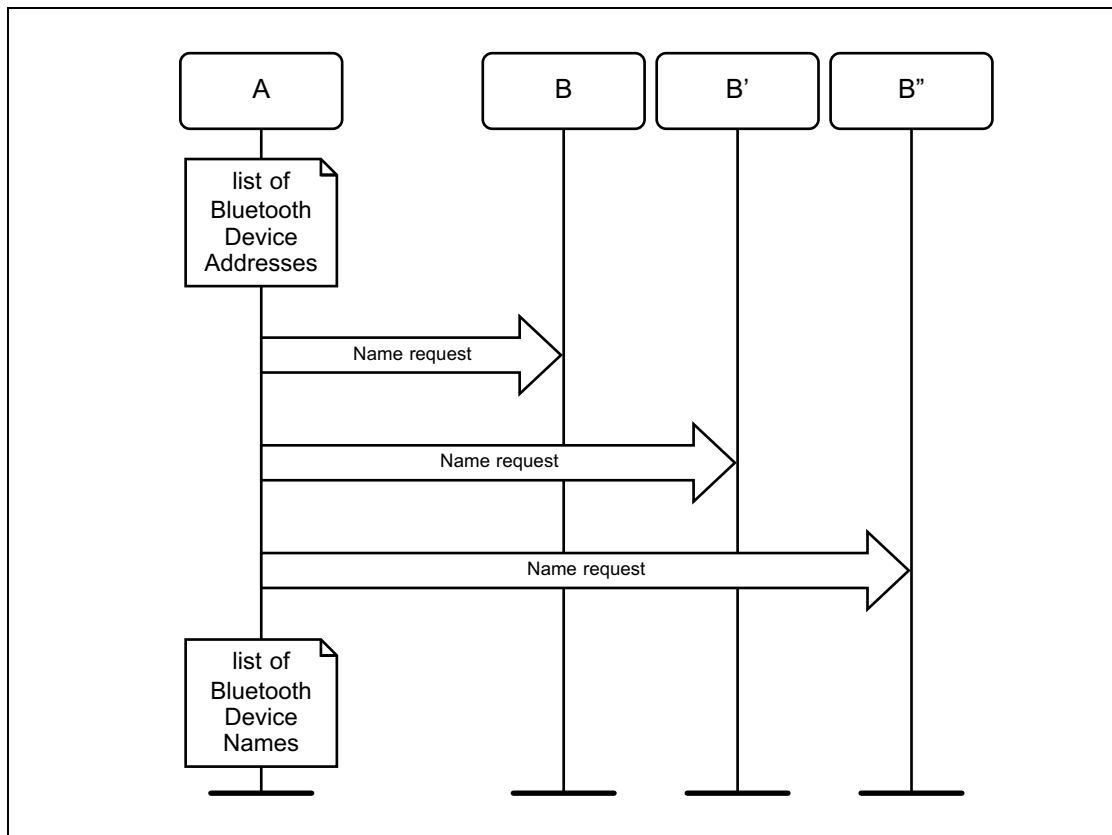


Figure 6.4: Name discovery procedure

6.3.4 Conditions

In the name request procedure, the initiator will use the Device Access Code of the remote device as retrieved immediately beforehand – normally through an inquiry procedure.

6.4 DEVICE DISCOVERY

This section only applies to a device of the BR/EDR and BR/EDR/LE device type.

6.4.1 Purpose

The purpose of device discovery is to provide the initiator with the Bluetooth Device Address, clock, Class of Device, Bluetooth Device Name, and extended inquiry response information of discoverable devices.

6.4.2 Term on UI level

'Bluetooth Device Discovery'



6.4.3 Description

During the Device Discovery procedure, first an inquiry (either general or limited) is performed, and then name discovery is done towards some or all of the devices that responded to the inquiry. If the initiator of the device discovery receives a complete local name or a shortened local name that is considered long enough, via an extended inquiry response from a remote device, the initiator should not do a separate name discovery for that device.

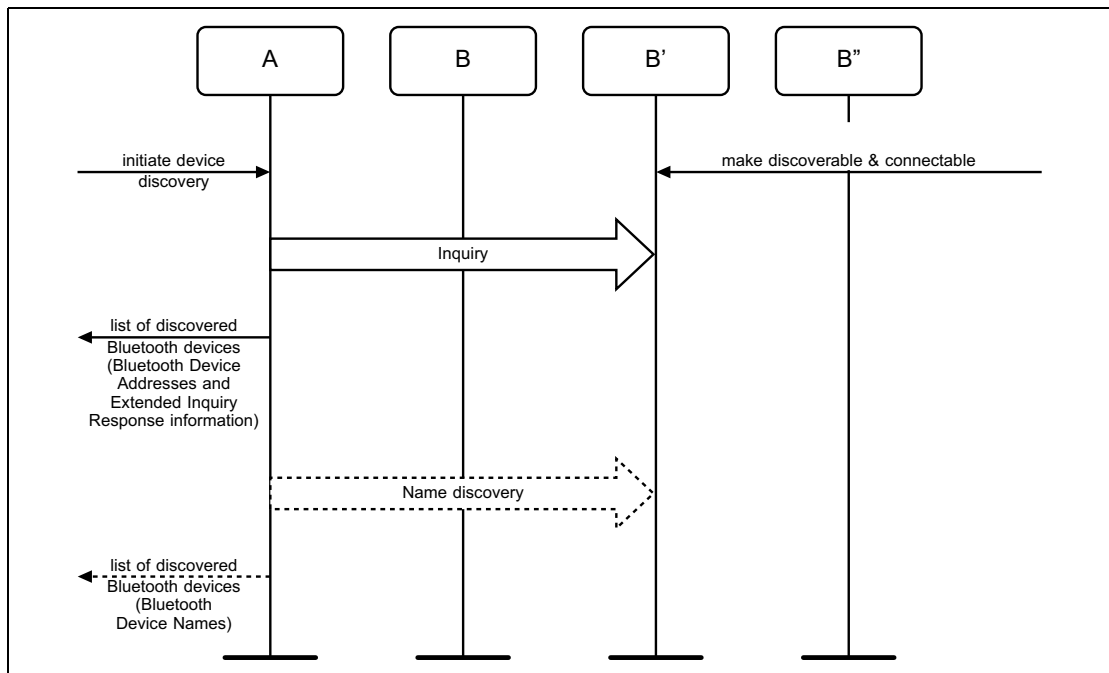


Figure 6.5: Device Discovery procedure

6.4.4 Conditions

Conditions for both inquiry (general or limited) and name discovery must be fulfilled (i.e., devices discovered during device discovery must be both discoverable and connectable).

6.5 BONDING

6.5.1 Purpose

The purpose of bonding is to create a relation between two Bluetooth devices based on a common link key (a bond). The link key is created and exchanged (pairing) during the bonding procedure and is expected to be stored by both Bluetooth devices, to be used for future authentication. In addition to pairing, the bonding procedure can involve higher-layer initialization procedures.



6.5.2 Term on UI level

'Bluetooth Bonding'

6.5.3 Description

Two forms of bonding are described in the following sections: General Bonding and Dedicated Bonding.

6.5.3.1 General Bonding

General Bonding refers to the process of performing bonding during connection setup or channel establishment procedures as a precursor to accessing a service. [Figure 6.6](#) specifies General Bonding.

When the devices that are performing General Bonding both support Secure Simple Pairing, the Authentication_Requirements parameter should be set to MITM Protection Not Required – General Bonding unless the security policy of an available local service requires MITM Protection in which case the Authentication_Requirements parameter shall be set to MITM Protection Required – General Bonding. 'No bonding' is used when the device is performing a Secure Simple Pairing procedure, but does not intend to retain the link key after the physical link is disconnected.

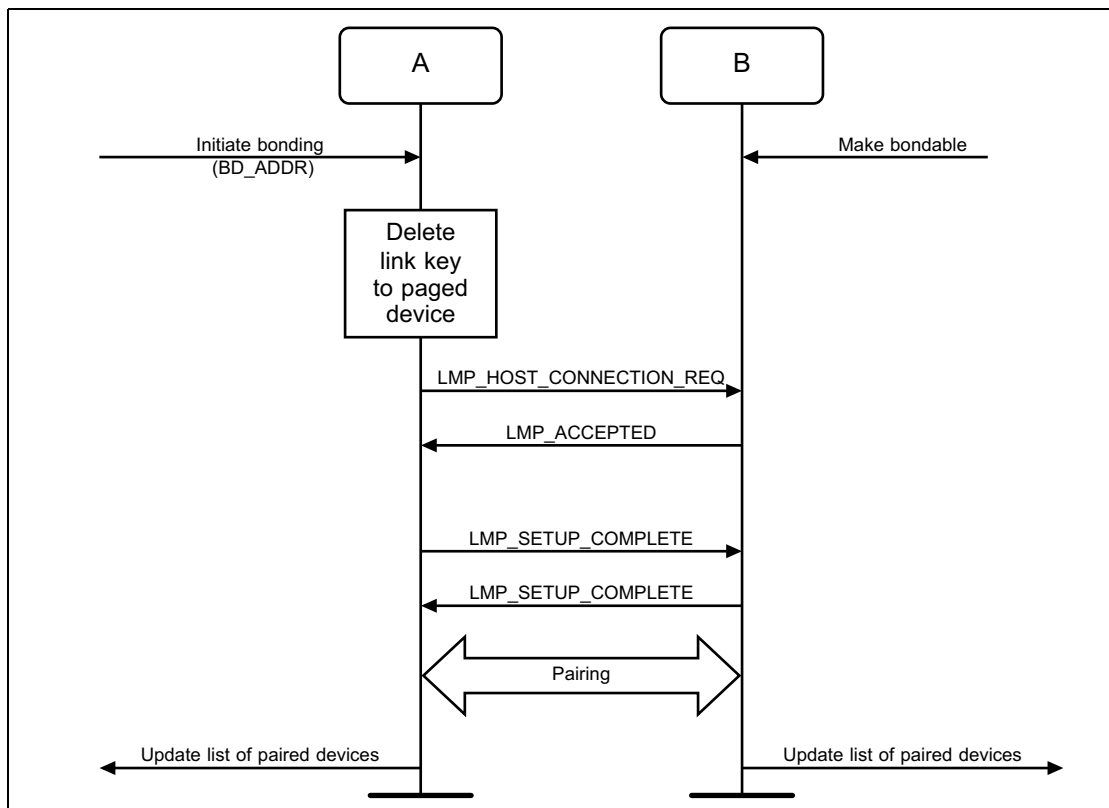


Figure 6.6: General Bonding procedure



6.5.3.2 Dedicated Bonding

Dedicated Bonding refers to a procedure wherein one device connects to another only for the purpose of pairing without accessing a particular service. [Figure 6.7](#) specifies Dedicated Bonding. The main difference with dedicated bonding, as compared to a pairing done during link or channel establishment, is that for bonding it is the paging device (A) that initiates the authentication.

When the devices that are performing Dedicated Bonding both support Secure Simple Pairing, the Authentication_Requirements parameter should be set to *MITM Protection Not Required – Dedicated Bonding* unless the security policy of an available local service requires MITM Protection in which case the Authentication Required parameter shall be set to *MITM Protection Required – Dedicated Bonding*. 'No bonding' is used when the device is performing a Secure Simple Pairing procedure, but does not intend to retain the link key after the physical link is disconnected.

As an exception to the normal process, device B shall also accept pairing before the exchange of LMP_SETUP_COMPLETE PDUs (this can only happen if device A conforms to a lower version of the specification).

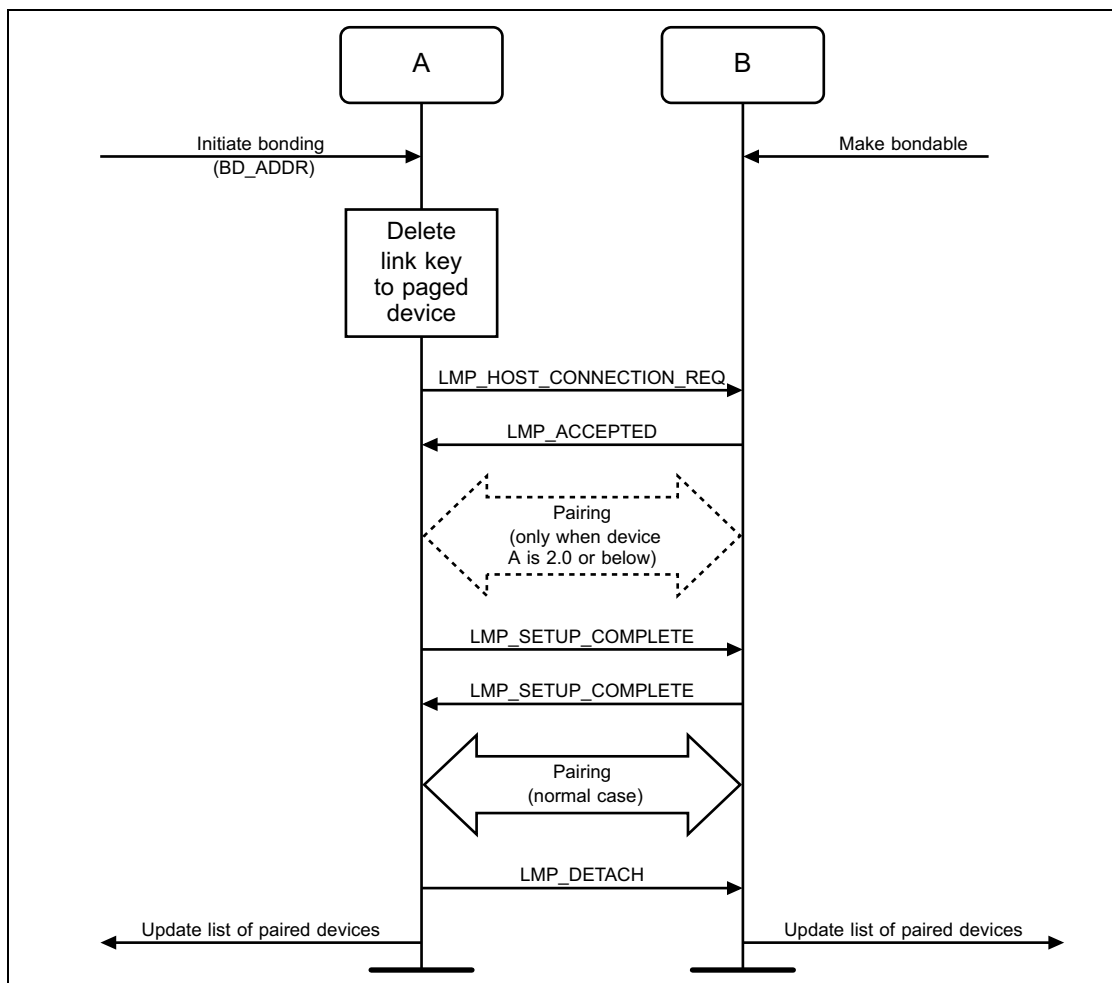


Figure 6.7: Dedicated Bonding procedure



6.5.4 Conditions

Before bonding can be initiated, the initiating device (A) must know the Device Access Code of the device to pair with. This is normally done by first performing device discovery. A Bluetooth Device that can initiate bonding (A) should use limited inquiry, and a Bluetooth Device that accepts bonding (B) should support the limited discoverable mode.

Bonding is in principle the same as link establishment with the conditions:

- The paged device (B) shall be set into bondable mode. The paging device (A) is assumed to allow pairing since it has initiated the bonding procedure.
- The paging device (the initiator of the bonding procedure, A) shall initiate authentication.
- Before initiating the authentication part of the bonding procedure, the paging device should delete any link key corresponding to a previous bonding with the paged device.



7 ESTABLISHMENT PROCEDURES – BR/EDR PHYSICAL TRANSPORT

Procedure	Ref.	Support in A	Support in B
Link Establishment	7.1	M	M
Channel Establishment	7.2	O	M
Connection Establishment	7.3	O	O
Synchronization Establishment	7.5	O	O

Table 7.1: Establishment procedures

The establishment procedures defined here do not include any discovery part. Before establishment procedures are initiated, the information provided during device discovery (in the FHS packet or the extended inquiry response packet of the inquiry response or in the response to a name request or in the synchronization train packet) must be available in the initiating device.

This information is:

- The Bluetooth Device Address (BD_ADDR) from which the Device Access Code is generated
- The system clock of the remote device

Additional information provided during device discovery that may be useful for making the decision to initiate an establishment procedure is:

- The Class of Device
- The Device name
- The supported Service Classes.

7.1 LINK ESTABLISHMENT

7.1.1 Purpose

The purpose of the Link Establishment procedure is to establish a logical transport (of ACL type) between two Bluetooth devices using procedures from the Baseband Specification and Link Manager Protocol.

7.1.2 Term on UI level

‘Bluetooth link establishment’



7.1.3 Description

In this sub-section, the paging device (A) is in security mode 3. During link establishment, the paging device cannot distinguish if the paged device (B) is in security mode 1, 2 or 4.

7.1.3.1 B in security mode 1, 2, or 4

Figure 7.1 specifies the procedure.

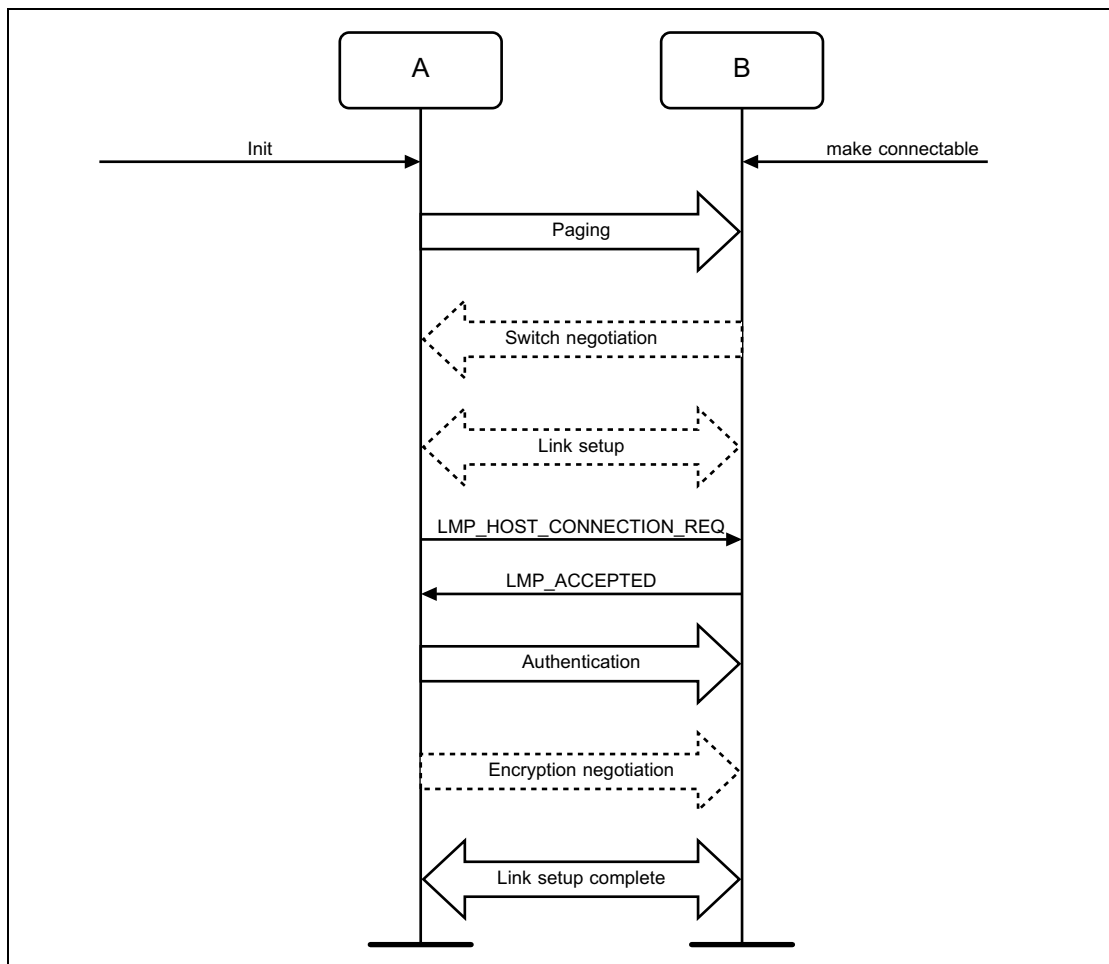


Figure 7.1: Link Establishment procedure when the paging device (A) is in security mode 3 and the paged device (B) is in security mode 1, 2, or 4



7.1.3.2 B in security mode 3

Figure 7.2 specifies the procedure.

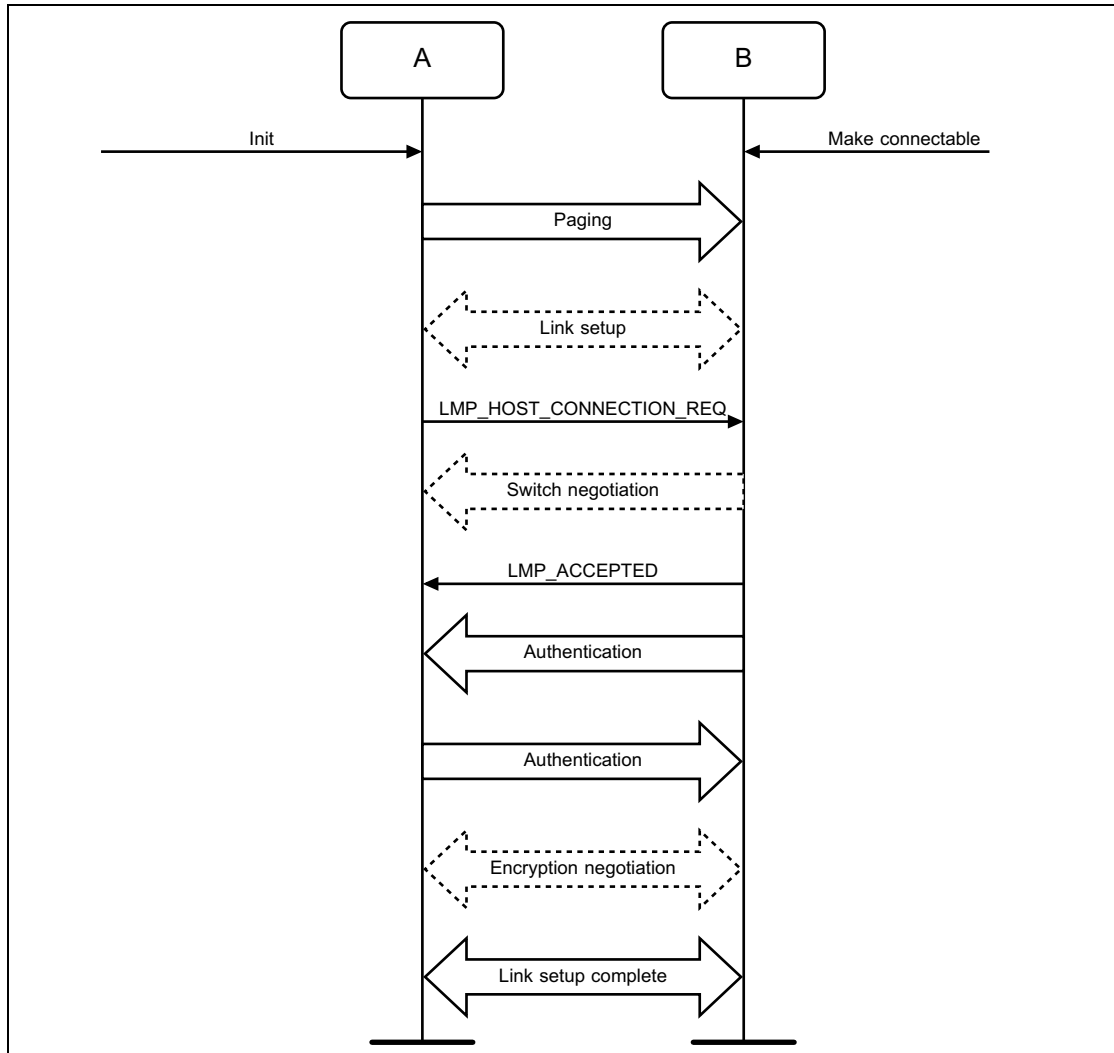


Figure 7.2: Link Establishment procedure when both the paging device (A) and the paged device (B) are in security mode 3

7.1.4 Conditions

The paging procedure shall be according to [Vol 2] Part B, Section 8.3 and the paging device should use the Device Access Code and page mode received through a previous inquiry. When paging is completed, a physical link between the two Bluetooth devices is established.

If role switching is needed it should be done as early as possible after the physical link is established. If the paging device does not accept the switch, the paged device has to consider whether to keep the physical link or not.

Both devices may perform link setup (using LMP procedures that require no interaction with the Host on the remote side). Optional LMP features can be



used after having confirmed (using LMP_FEATURES_REQ) that the other device supports the feature.

When the paging device needs to go beyond the link setup phase, it issues a request to be connected to the Host of the remote device. If the paged device is in security mode 3, this is the trigger for initiating authentication.

The paging device shall send LMP_HOST_CONNECTION_REQ during link establishment (i.e., before channel establishment) and may initiate authentication only after having sent LMP_HOST_CONNECTION_REQ.

After an authentication has been performed, any of the devices can initiate encryption.

Further link configuration may take place after the LMP_HOST_CONNECTION_REQ. When both devices are satisfied, they send LMP_SETUP_COMPLETE.

Link establishment is completed when both devices have sent LMP_SETUP_COMPLETE.

7.2 CHANNEL ESTABLISHMENT

7.2.1 Purpose

The purpose of the Channel Establishment procedure is to establish a Bluetooth channel (L2CAP channel) between two Bluetooth devices as described in [\[Vol 3\] Part A, Section 4.2](#).

7.2.2 Term on UI level

'Bluetooth channel establishment'

7.2.3 Description

In this sub-section, the initiator (A) is in security mode 3. During channel establishment, the initiator cannot distinguish if the acceptor (B) is in security mode 1 or 3.



7.2.3.1 B in security mode 2 or 4

Figure 7.3 specifies the procedure.

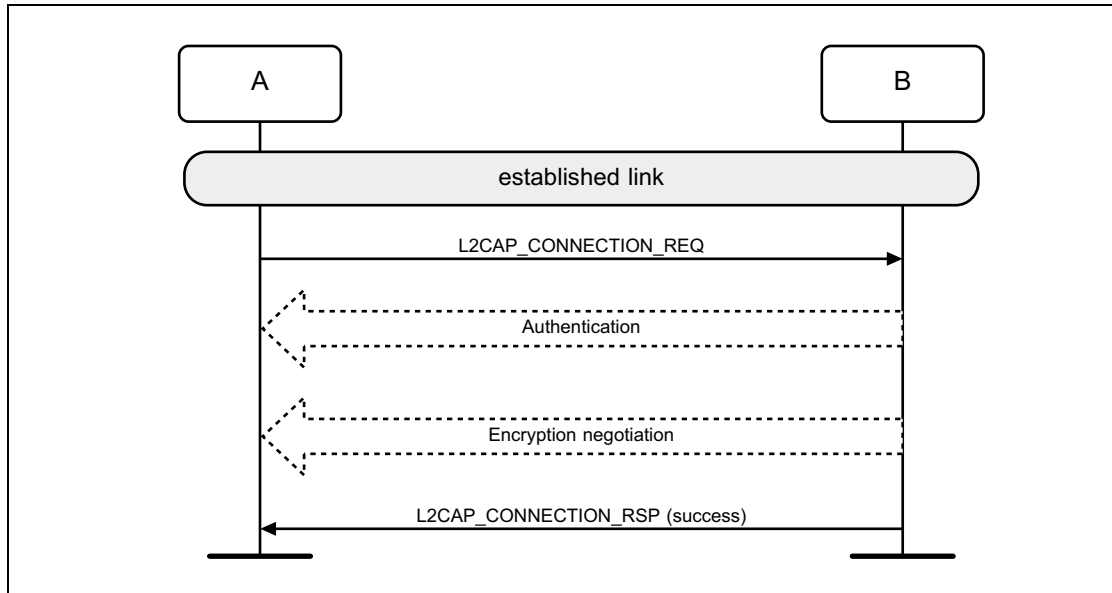


Figure 7.3: Channel Establishment procedure when the initiator (A) is in security mode 3 and the acceptor (B) is in security mode 2 or 4

7.2.3.2 B in security mode 1 or 3

Figure 7.4 specifies the procedure.

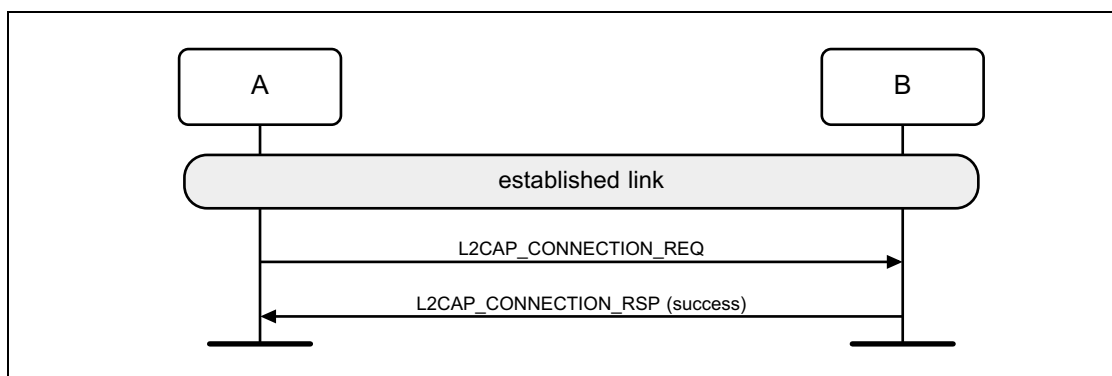


Figure 7.4: Channel Establishment procedure when the initiator (A) is in security mode 3 and the acceptor (B) is in security mode 1 or 3

7.2.4 Conditions

Channel establishment starts after link establishment is completed when the initiator sends a channel establishment request (L2CAP_CONNECTION_REQ).

Depending on security mode, security procedures may take place after the channel establishment has been initiated.



Channel establishment is completed when the acceptor responds to the channel establishment request (with a positive L2CAP_CONNECTION_RSP).

7.3 CONNECTION ESTABLISHMENT

7.3.1 Purpose

The purpose of the Connection Establishment procedure is to establish a connection between applications on two Bluetooth devices.

7.3.2 Term on UI level

'Bluetooth connection establishment'

7.3.3 Description

In this sub-section, the initiator (A) is in security mode 3. During connection establishment, the initiator cannot distinguish if the acceptor (B) is in security mode 1 or 3. The connection establishment request and accept messages are defined by the application protocol.

7.3.3.1 B in security mode 2 or 4

Figure 7.5 specifies the procedure.

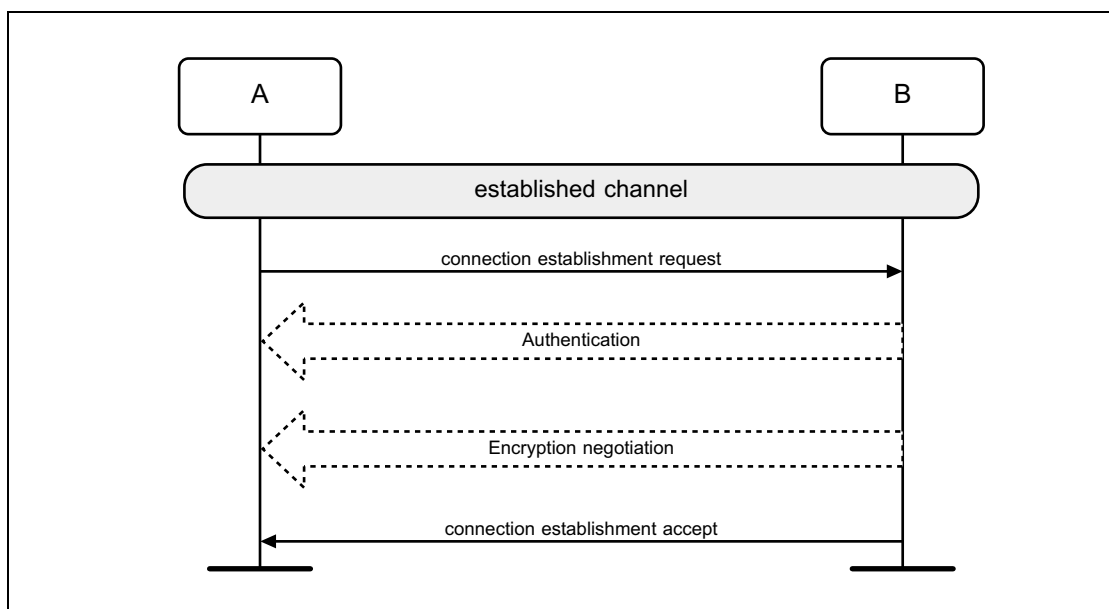


Figure 7.5: Connection Establishment procedure when the initiator (A) is in security mode 3 and the acceptor (B) is in security mode 2 or 4

7.3.3.2 B in security mode 1 or 3

Figure 7.6 specifies the procedure.

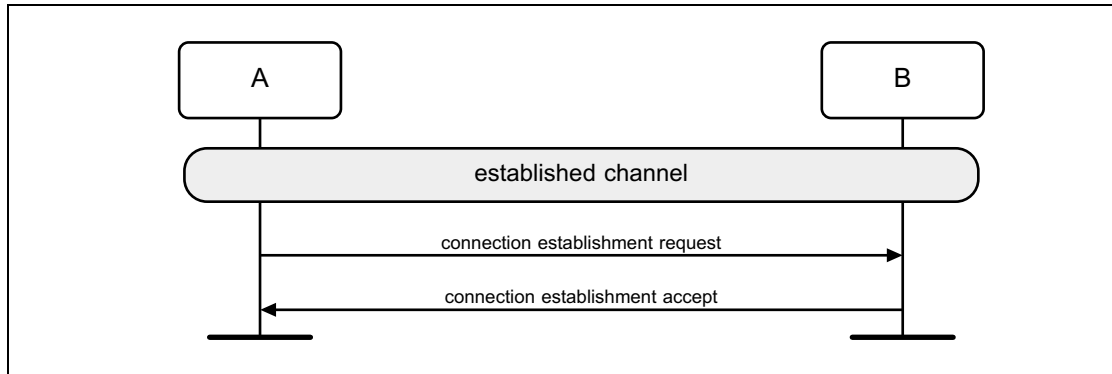


Figure 7.6: Connection Establishment procedure when the initiator (A) is in security mode 3 and the acceptor (B) is in security mode 1 or 3

7.3.4 Conditions

Connection establishment starts after channel establishment is completed, when the initiator sends a connection establishment request. This request may be a TCS SETUP message [2] in the case of a Bluetooth telephony application Cordless Telephony Profile, or initialization of RFCOMM and establishment of DLC [1] in the case of a serial port-based application Serial Port Profile (although neither TCS or RFCOMM use the term ‘connection’ for this).

Connection establishment is completed when the acceptor accepts the connection establishment request.

7.4 ESTABLISHMENT OF ADDITIONAL CONNECTION

When a Bluetooth device has established one connection with another Bluetooth device, it may be available for establishment of:

- A second connection on the same channel, and/or
- A second channel on the same logical link, and/or
- A second physical link.

If the new establishment procedure is to be towards the same device, the security part of the establishment depends on the security modes used. If the new establishment procedure is to be towards a new remote device, the device should behave according to Active modes independent of the fact that it already has another physical link established (unless allowed co-incident radio and Baseband events have to be handled).



7.5 SYNCHRONIZATION ESTABLISHMENT

7.5.1 Purpose

The purpose of the Synchronization Establishment procedure is for a device to receive synchronization train packets using the procedures in [Vol 2] Part B, Section 2.7.3

7.5.2 Term on UI Level

'Bluetooth synchronization establishment'

7.5.3 Description

In Figure 7.7 the receiving device (B) is attempting to receive synchronization train packets from device (A).

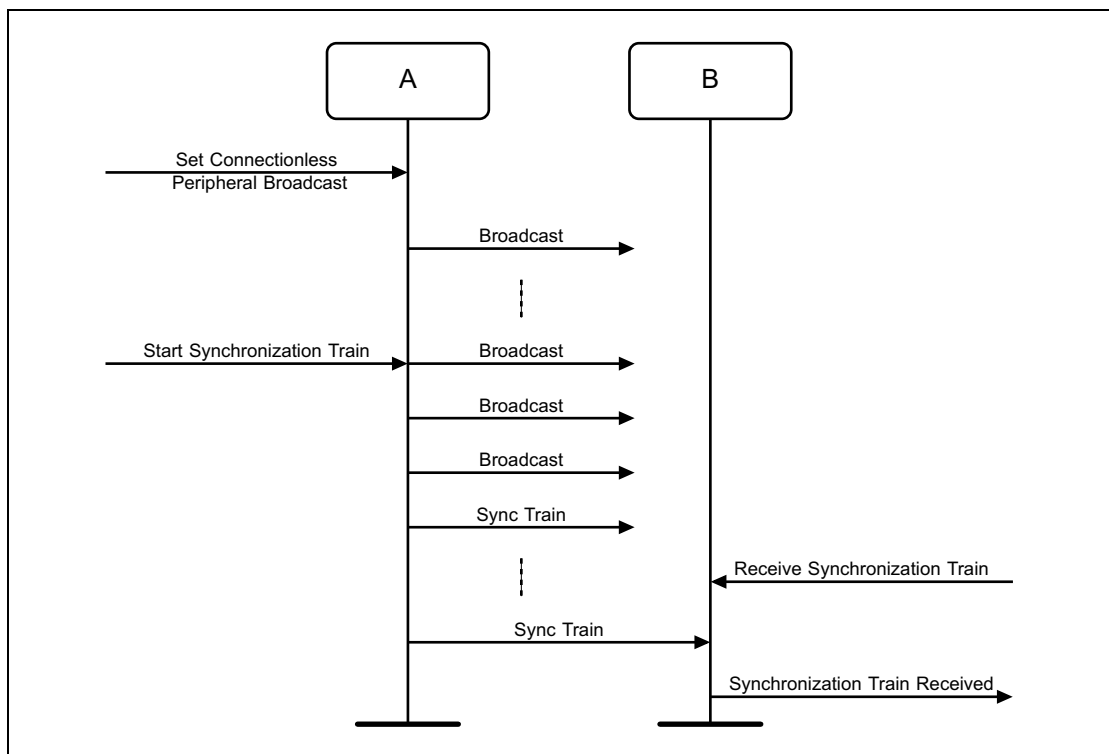


Figure 7.7: Synchronization Establishment procedure

7.5.4 Conditions

After receiving a synchronization train packet, the receiving device can listen to and receive profile data sent via Connectionless Peripheral Broadcast by device A.

Devices A and B may go through a separate Link Establishment procedure any time they desire to establish an ACL logical transport between each other. They may also use Connectionless Peripheral Broadcast procedures with an ACL logical transport already established.

Generic Access Profile

The receiving device shall enter the Synchronization Scan substate using a scan interval of $T_{\text{GAP}}(\text{Sync_Scan_Interval})$ and a scan window of $T_{\text{GAP}}(\text{Sync_Scan_Window})$.

8 EXTENDED INQUIRY RESPONSE DATA FORMAT

The extended inquiry response data format is shown in [Figure 8.1](#). The data is 240 octets and consists of a significant part and a non-significant part. The significant part contains a sequence of data structures. Each data structure shall have a length field of one octet, which contains the Length value, and a data field of Length octets. The first n octets of the data field contain the extended inquiry response (EIR) data type. The content of the remaining Length - n octets in the data field depends on the value of the EIR data type and is called the EIR data. The non-significant part extends the extended inquiry response to 240 octets and shall contain all-zero octets.

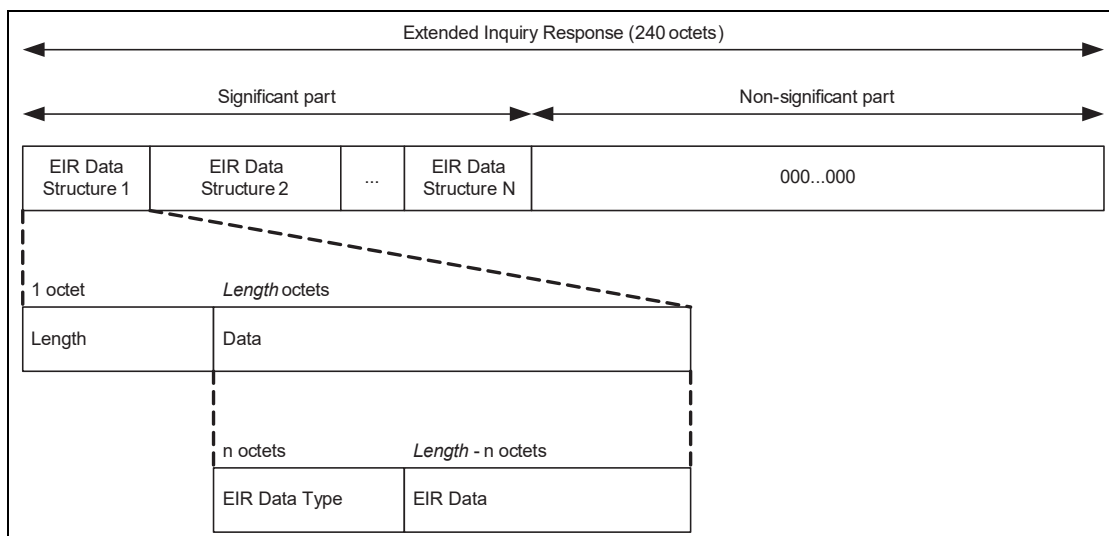


Figure 8.1: Extended inquiry response data format

The extended inquiry response data formats and meanings are defined in Section 1 of [\[4\]](#). The extended inquiry response data type values are defined in [Assigned Numbers](#).

If the length field is set to zero, then the data field has zero octets. This shall only occur to allow an early termination of the tagged data.

To reduce interference, the Host should try to minimize the amount of EIR data such that the Baseband can use a 1-slot or 3-slot EIR packet. This is advantageous because it reduces interference and maximizes the probability that the EIR packet will be received. If applications on a Host provide more than 240 bytes of extended inquiry response data, it is up to the Host to limit it to 240 octets.

The EIR data shall be sent during the inquiry response state. In selecting the packet type to be used, FEC (DM1 or DM3) should be considered to maximize the range.



The Host shall include the device name in the EIR data according to the following rules:

1. If the device does not have a device name (i.e., 0 octet) and
 - a) If there is no other data to be sent in the EIR packet, the Host shall send a name tag with zero length and the type field set to indicate that this is the complete name (i.e., total of 2 octets with length = 1).
 - b) If there is other important data to be sent in the EIR packet and a zero octet name tag will not fit, the Host may avoid sending the name tag.
2. If the device has a device name (greater than 0 octet) and
 - a) If it is too long to be included in the EIR packet (given the choice of packet type and any other data that is being sent), the Host may send a shortened version of the name (even 0 octet) and shall mark the name as 'shortened' to inform the receiver that a remote name request is required to obtain the full name if the name is needed.
 - b) If there are no other data to be sent in the EIR packet (given the choice of packet type selected), the Host shall maximize the length of the device name to be sent, this may be complete or shortened name (e.g., if DM1 packet is chosen and device name characters equates to greater than 15 octets, then Host sends first few characters that equates to 15 octets or less with shortened flag).

Note: It is not necessary to understand each and every EIR data type. If the Host does not understand a given EIR data type value it should just skip over Length octets and look for the next EIR data structure.



9 OPERATIONAL MODES AND PROCEDURES – LE PHYSICAL TRANSPORT

Several different modes and procedures may be performed simultaneously over an LE physical transport. The following modes and procedures are defined for use over an LE physical transport:

- Broadcast mode and Observation procedure
- Discovery modes and procedures
- Connection modes and procedures
- Bonding modes and procedures
- Periodic advertising modes and procedure
- Isochronous broadcast modes and procedures

Each of the above modes and procedures are independent from each other but are closely related since a combination of the modes and procedures are necessary for most devices to communicate with each other. Both the modes and procedures may be entered or executed respectively as a result of direct user action or autonomously by a device.

The Host shall configure the Controller with its local Link Layer feature information as defined in [Vol 6] Part B, Section 4.6 before performing any of the above modes and procedures.

The types of advertising used in these modes and procedures for each of the associated GAP roles are defined in Section 2.2.2 Table 2.1.

9.1 BROADCAST MODE AND OBSERVATION PROCEDURE

The Broadcast mode and Observation procedure allow two devices to communicate in a unidirectional connectionless manner using the advertising events. The requirements for a device operating in a specific GAP role to support the Broadcast mode and Observation procedure are defined in Table 9.1.

Broadcast Mode and Observation procedure	Ref.	Peripheral	Central	Broadcaster	Observer
Broadcast mode	9.1.1	E	E	M	E
Observation procedure	9.1.2	E	E	E	M

Table 9.1: Broadcast mode and observation procedure requirements



9.1.1 Broadcast mode

9.1.1.1 Definition

The Broadcast mode provides a method for a device to send connectionless data in advertising events.

9.1.1.2 Conditions

A device in the Broadcast mode shall send data using non-connectable advertising events.

A device in the Broadcast mode may send non-connectable and non-scannable undirected or non-connectable and non-scannable directed advertising events anonymously by excluding the Broadcaster's address.

The advertising data shall be formatted using the Advertising Data (AD) type format as defined in Section 1.3 of [4]. A device in the Broadcast mode shall not set the 'LE General Discoverable Mode' flag or the 'LE Limited Discoverable Mode' flag in the Flags AD Type as defined in Section 1.3 of [4].

Note: All data sent by a device in the Broadcast mode is considered unreliable since there is no acknowledgment from any device that may have received the data.

The device may configure and enable multiple independent advertising sets. Each advertising set may have an independent advertising filter policy.

9.1.2 Observation procedure

9.1.2.1 Definition

The Observation procedure provides a method for a device to receive connectionless data from a device that is sending advertising events.

9.1.2.2 Conditions

A device performing the Observation procedure may use passive scanning or active scanning to receive advertising events.

A device performing the Observation procedure may use active scanning to also receive scan response data sent by any device in the Broadcast mode that advertises using scannable advertising events.

When a device performing the Observation procedure receives a resolvable private address in the advertising event, the device may resolve the private address by using the resolvable private address resolution procedure as defined in [Section 10.8.2.3](#).



Note: In use cases where a device in the Broadcast mode sends dynamic data, the receiving device should disable duplicate filtering capability in the Controller so that the Host receives all advertising packets received by the Controller.

9.2 DISCOVERY MODES AND PROCEDURES

All devices shall be in either non-discoverable mode or one of the discoverable modes. A device in the discoverable mode shall be in either the general discoverable mode or the limited discoverable mode. A device in the non-discoverable mode is not discoverable. Devices operating in either the general discoverable mode or the limited discoverable mode can be found by the discovering device. A device that is discovering other devices performs either the limited discovery procedure as defined in [Section 9.2.5](#) or the general discovery procedure as defined in [Section 9.2.6](#).

Some devices may only scan for advertising events using legacy advertising PDUs. It is therefore recommended that devices using advertising events with the extended advertising PDUs also use an advertising set with advertising events that use legacy advertising PDUs.

If the device is in one of the discoverable modes, and if multiple advertising sets are used with the same Identity Address or the same IRK, then those advertising sets shall also share the same advertising filter policy.

9.2.1 Requirements

Discovery modes and procedures	Ref.	Peripheral	Central	Broadcaster	Observer
Non-Discoverable mode	9.2.2	M	E	E	E
Limited Discoverable mode	9.2.3	O	E	E	E
General Discoverable mode	9.2.4	C.1	E	E	E
Limited Discovery procedure	9.2.5	E	O	E	E
General Discovery procedure	9.2.6	E	M	E	E
Name Discovery procedure	9.2.7	O	O	E	E

C.1: Optional if limited discoverable mode is supported, otherwise mandatory.

Table 9.2: Device Discovery requirements

9.2.2 Non-discoverable mode

9.2.2.1 Description

A device configured in non-discoverable mode will not be discovered by any device that is performing either the general discovery procedure or the limited discovery procedure.



9.2.2.2 Conditions

A device in the non-discoverable mode may send advertising events. If the device sends advertising events, it shall not set the 'LE General Discoverable Mode' flag or 'LE Limited Discoverable Mode' flag in the Flags AD type (see Section 1.3 of [4]).

If the device sends advertising events, then it is recommended that the Host configures the Controller as follows:

- The Host should set the advertising filter policy for all advertising sets to either 'process scan and connection requests only from devices in the Filter Accept List' or 'process scan and connection requests from all devices'.
- The Host should set the advertising intervals as defined in [Section 9.3.11](#).

9.2.3 Limited Discoverable mode

9.2.3.1 Description

Devices configured in the limited discoverable mode are discoverable for a limited period of time by other devices performing the limited or general device discovery procedure. Devices typically enter the limited discoverable mode when a user performs a specific action.

There are two common reasons to use limited discoverable mode:

- Limited discoverable mode can be used to allow remote devices using the general discovery procedure to prioritize or otherwise identify devices in limited discoverable mode when presenting discovered devices to the end user because, typically, the user is interacting with them.
- Limited discoverable mode can also be used to allow remote devices using the limited discovery procedure to filter out devices using the general discoverable mode.

9.2.3.2 Conditions

A device in the limited discoverable mode shall send advertising event types with the advertising data including the Flags AD type as defined in Section 1.3 of [4] with all the following flags set as described:

- The LE Limited Discoverable Mode flag set to one.
- The LE General Discoverable Mode flag set to zero.
- For a device of the LE-only device type with all the following flags set as described:
 - a) The 'BR/EDR Not Supported' flag to set one.
 - b) The 'Simultaneous LE and BR/EDR to Same Device Capable (Controller)' flag set to zero.



The advertising data should also include the following AD types to enable a faster connectivity experience:

- TX Power Level AD type defined in Section 1.5 of [4].
- Local Name AD type defined in Section 1.2 of [4].
- Service UUIDs AD type defined in Section 1.1 of [4].
- Peripheral Connection Interval Range AD type as defined in Section 1.9 of [4].

Devices shall remain in the limited discoverable mode no longer than $T_{\text{GAP}}(\text{lim_adv_timeout})$.

While a device is in limited discoverable mode the Host configures the Controller as follows:

- The Host shall set the advertising filter policy for all advertising sets that share the same Identity Address or the same IRK to 'process scan and connection requests from all devices'.
- The Host should set the advertising intervals as defined in Section 9.3.11.

The device shall remain in limited discoverable mode until a connection is established or the Host terminates the mode.

Note: The choice of advertising interval is a trade-off between power consumption and device discovery time.

The device may configure and enable multiple independent advertising sets.

9.2.4 General Discoverable mode

9.2.4.1 Description

Devices configured in the general discoverable mode are discoverable for an indefinite period of time by devices performing the general discovery procedure. Devices typically enter general discoverable mode autonomously.

Devices in the general discoverable mode will not be discovered by devices performing the limited discovery procedure. General discoverable mode should not be used if it is known that the device performing discovery will be using the limited discovery procedure (see Section 9.2.5).

9.2.4.2 Conditions

A device in general discoverable mode shall send advertising events with the advertising data including the Flags AD data type as defined in Section 1.3 of [4] with all the following flags set as described:

- The LE Limited Discoverable Mode flag set to zero.



- The LE General Discoverable Mode flag set to one.
- For a device of the LE-only device type with all the following flags set as described:
 - a) The 'BR/EDR Not Supported' flag set to one.
 - b) The 'Simultaneous LE and BR/EDR to Same Device Capable (Controller)' flag set to zero.

The advertising data should also include the following AD types to enable a faster connectivity experience:

- TX Power Level AD type as defined in Section 1.5 of [4].
- Local Name AD type as defined in Section 1.2 of [4].
- Service UUIDs AD type as defined in Section 1.1 of [4].
- Peripheral Connection Interval Range AD type as defined in Section 1.9 of [4].

While a device is in general discoverable mode the Host configures the Controller as follows:

- The Host shall set the advertising filter policy for all advertising sets that share the same Identity Address or the same IRK to 'process scan and connection requests from all devices'.
- The Host should set the advertising intervals as defined in Section 9.3.11.

The device shall remain in general discoverable mode until a connection is established or the Host terminates the mode.

Note: Host data used in legacy advertising events that change frequently should be placed in the advertising data and static data should be placed in the scan response data.

Note: The choice of advertising interval is a trade-off between power consumption and device discovery time.

9.2.5 Limited Discovery procedure

9.2.5.1 Description

A device performing the limited discovery procedure receives the device address, advertising data and scan response data from devices in the limited discoverable mode only.

The limited discovery procedure should only be used when it is known that the devices to be discovered are using limited discoverable mode. The general discovery procedure (see Section 9.2.6) should be used for general purpose discovery when it is desired to discover all devices regardless of whether they are using limited discoverable mode or general discoverable mode.

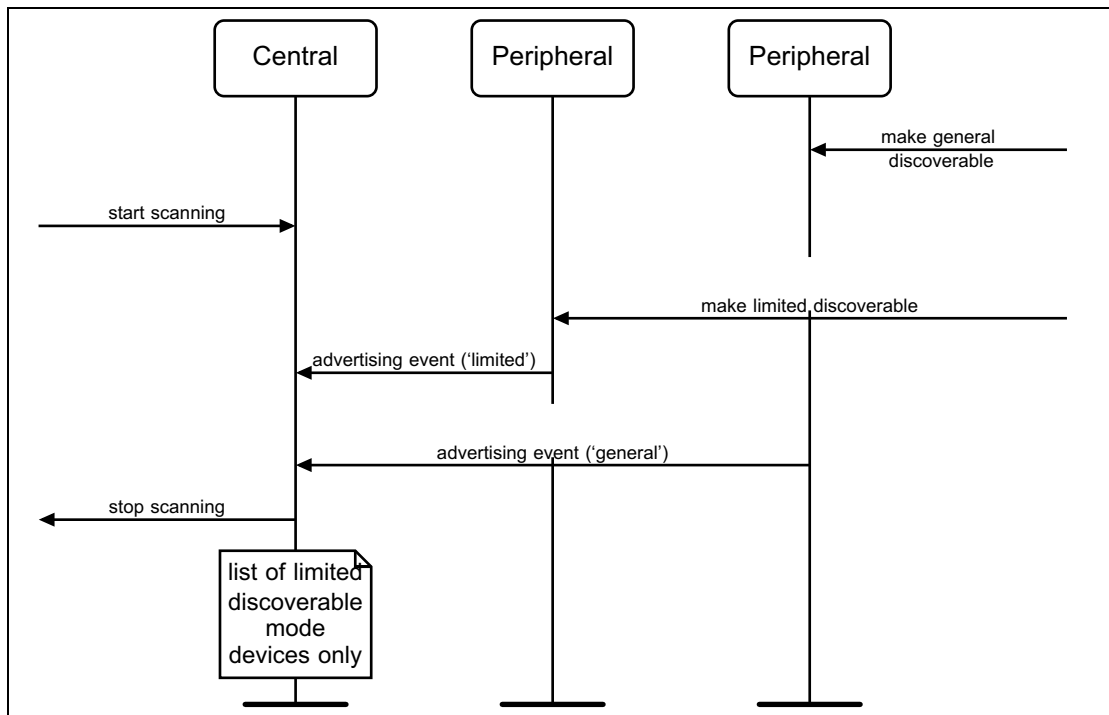


Figure 9.1: A Central performing limited discovery procedure discovering Peripherals in the limited discoverable mode

9.2.5.2 Conditions

It is recommended that the device scan on all the PHYs it supports.

When a Host performs the limited discovery procedure, the Host configures the Controller as follows:

1. The Host shall set the scanning filter policy to an unfiltered scanning policy (see [Vol 6] Part B, Section 4.3.3).
2. The Host should set the scan interval and scan window as defined in Section 9.3.11.
3. The Host should configure the Controller to use active scanning.

The Host shall begin scanning for advertising packets and should continue for a minimum of $T_{GAP}(lim_disc_scan_min)$ when scanning on the LE 1M PHY and $T_{GAP}(lim_disc_scan_min_coded)$ when scanning on the LE Coded PHY, unless the Host ends the limited discovery procedure.

The Host shall check for the Flags AD type in the advertising data. If the Flags AD type is present and the LE Limited Discoverable Flag is set to one then the Host shall consider the device as a discovered device, otherwise the advertising data shall be ignored. The Flag AD type is defined in Section 1.3 of [4]. The advertising data of the discovered device may contain data with other AD types, e.g. Service UUIDs AD type, TX Power Level AD type, Local Name AD type, Peripheral Connection Interval Range AD type. The Host may use the data in performing any of the connection establishment procedures.



The Host shall ignore the 'Simultaneous LE and BR/EDR to Same Device Capable (Controller)' bit in the Flags AD type.

9.2.6 General Discovery procedure

9.2.6.1 Description

A device performing the general discovery procedure receives the device address, advertising data and scan response data from devices in the limited discoverable mode or the general discoverable mode.

The general discovery procedure should be used for general purpose discovery, i.e. to discover all discoverable devices regardless of whether they are in general discoverable mode or limited discoverable mode. A device which discovers devices using the general discovery procedure and presents them to users in some fashion should distinguish devices in the limited discoverable mode from those in the general discoverable mode, e.g., by sorting them to the top of a list of discovered devices or highlighting them in some way.

Note: The rationale for distinguishing the devices in limited discoverable mode to the end user is that devices typically enter limited discoverable mode only after explicit action by the end user, indicating that the user's immediate goal is to discover and interact with that specific device.

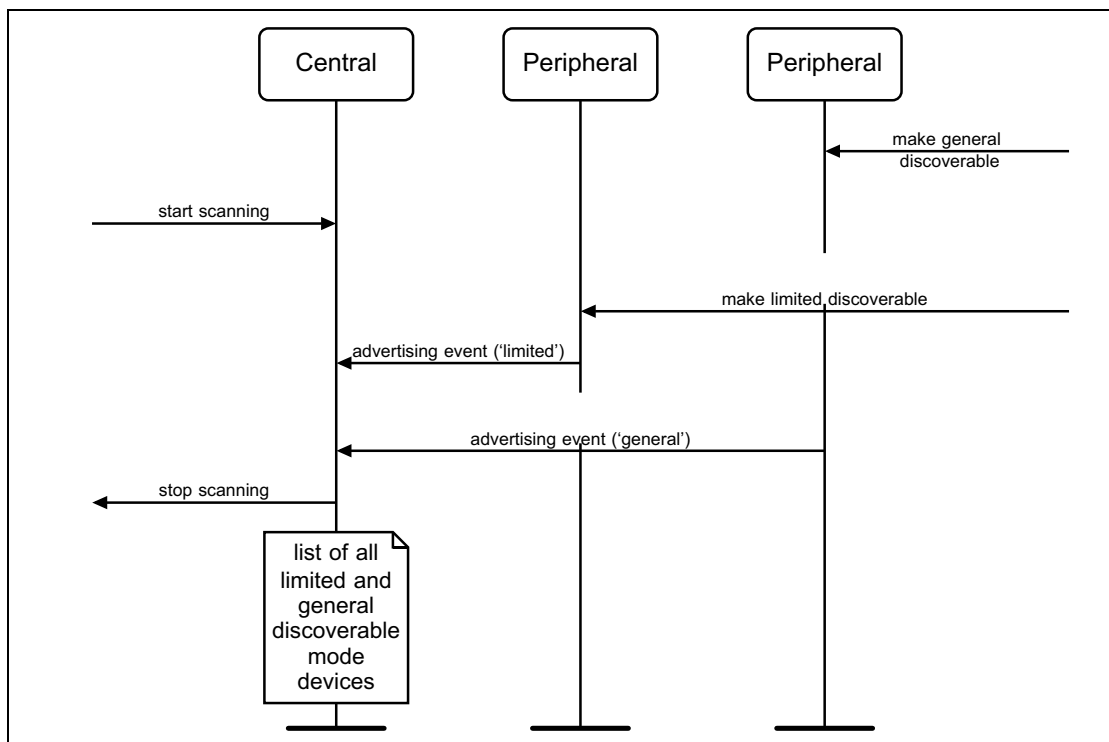


Figure 9.2: A Central performing General Discovery procedure discovering Peripherals in the Limited Discoverable mode and General Discoverable mode



9.2.6.2 Conditions

It is recommended that the device scan on all the PHYs it supports.

When a Host performs the general discovery procedure, the Host configures the Controller as follows:

1. The Host shall set the scanning filter policy to an unfiltered scanning policy (see [Vol 6] Part B, Section 4.3.3).
2. The Host should set the scan interval and scan window as defined in Section 9.3.11.
3. The Host should configure the Controller to use active scanning.

The Host shall begin scanning for advertising packets and should continue for a minimum of $T_{GAP}(\text{gen_disc_scan_min})$ when scanning on the LE 1M PHY and $T_{GAP}(\text{gen_disc_scan_min_coded})$ when scanning on the LE Coded PHY. The procedure may be terminated early by the Host.

The Host shall check for the Flags AD type in the advertising data. If the Flags AD type (see Section 1.3 of [4]) is present and either the LE General Discoverable Mode flag is set to one or the LE Limited Discoverable Mode flag is set to one then the Host shall consider the device as a discovered device, otherwise the advertising data shall be ignored. The advertising data of the discovered device may contain data with other AD types, e.g. Service UUIDs AD type, TX Power Level AD type, Local Name AD type, Peripheral Connection Interval Range AD type. The Host may use the data in performing any of the connection establishment procedures as defined in Section 9.3.

The Host shall ignore the 'Simultaneous LE and BR/EDR to Same Device Capable (Controller)' bit in the Flags AD type.

9.2.7 Name Discovery procedure

9.2.7.1 Description

The name discovery procedure is used to obtain the Bluetooth Device Name of a remote connectable device.

9.2.7.2 Conditions

If the complete device name is not acquired while performing either the limited discovery procedure or the general discovery procedure, then the name discovery procedure may be performed.

The name discovery procedure shall be performed as follows:

1. The Host shall establish a connection using one of the connection establishment procedures as defined in Section 9.3.



2. The Host shall read the device name characteristic using the GATT procedure Read Using Characteristic UUID [Vol 3] Part G, Section 4.8.2
3. The connection may be terminated after the GATT procedure has completed.

9.3 CONNECTION MODES AND PROCEDURES

The connection modes and procedures allow a device to establish a connection to another device.

When devices are connected, the parameters of the connection can be updated with the Connection Parameter Update procedure. The connected device may terminate the connection using the Terminate Connection procedure. The requirements for a device to support the connection modes and procedures are defined in Table 9.3. These requirements refer to the specific role a device is operating in. Devices supporting multiple roles shall support the specified modes and procedures for a given role while operating in that role.

9.3.1 Requirements

Connection Modes and Procedures	Ref.	Peripheral	Central	Broadcaster	Observer
Non-connectable mode	9.3.2	M	E	M	M
Directed connectable mode	9.3.3	O	E	E	E
Undirected connectable mode	9.3.4	M	E	E	E
Auto connection establishment procedure	9.3.5	E	O	E	E
General connection establishment procedure	9.3.6	E	O	E	E
Selective connection establishment procedure	9.3.7	E	O	E	E
Direct connection establishment procedure	9.3.8	E	M	E	E
Connection parameter update procedure	9.3.9	O	M	E	E
Terminate connection procedure	9.3.10	M	M	E	E

Table 9.3: Connection modes and procedures requirements

C.1: Mandatory if Connected Isochronous Streams are supported, otherwise excluded.

C.2: Mandatory if the Connection Subrating feature is supported, otherwise excluded.



Connection Modes and Procedures	Ref.	Peripheral	Central	Broadcaster	Observer
Connected Isochronous Stream Central Establishment procedure	9.3.13	E	C.1	E	E
Connected Isochronous Stream Peripheral Establishment procedure	9.3.14	C.1	E	E	E
Connected Isochronous Stream Terminate procedure	9.3.15	C.1	C.1	E	E
Connection Subrate procedure	9.3.16	C.2	C.2	E	E

Table 9.3: Connection modes and procedures requirements

C.1: Mandatory if Connected Isochronous Streams are supported, otherwise excluded.

C.2: Mandatory if the Connection Subrating feature is supported, otherwise excluded.

9.3.2 Non-connectable mode

9.3.2.1 Description

A device in the non-connectable mode shall not allow a connection to be established.

9.3.2.2 Conditions

A Peripheral in the non-connectable mode may send non-connectable advertising events. In this case it is recommended that the Host configures the Controller as follows:

- The Host should set the advertising filter policy to either ‘process scan and connection requests only from devices in the Filter Accept List’ or ‘process scan and connection requests from all devices’.
- The Host should set the advertising intervals as defined in [Section 9.3.11](#).

The device may configure and enable multiple independent advertising sets. Each advertising set may have an independent advertising filter policy.

9.3.3 Directed Connectable mode

9.3.3.1 Description

A device in the directed connectable mode shall accept a connection request from a known peer device performing the auto connection establishment procedure or the general connection establishment procedure.



9.3.3.2 Conditions

A Peripheral shall send connectable directed advertising events.

The device may configure and enable multiple independent advertising sets. Each advertising set may have an independent advertising filter policy.

9.3.4 Undirected Connectable mode

9.3.4.1 Description

A device in the undirected connectable mode shall accept a connection request from a device performing the auto connection establishment procedure or the general connection establishment procedure.

9.3.4.2 Conditions

A Peripheral should follow the guidelines defined in [Section 9.3.11](#). A Peripheral shall send either connectable and scannable undirected advertising events or connectable undirected advertising events.

The device may configure and enable multiple independent advertising sets. Each advertising set may have an independent advertising filter policy.

9.3.5 Auto Connection Establishment procedure

9.3.5.1 Description

The auto connection establishment procedure allows the Host to configure the Controller to autonomously establish a connection with one or more devices in the directed connectable mode or the undirected connectable mode. This procedure uses the Filter Accept List in the initiator to store the addresses of the devices that can be connected to. The Controller autonomously establishes a connection with a device with the device address that matches the address stored in the Filter Accept List.

9.3.5.2 Conditions

[Figure 9.3](#) shows the flow chart for a device performing the auto connection establishment procedure.

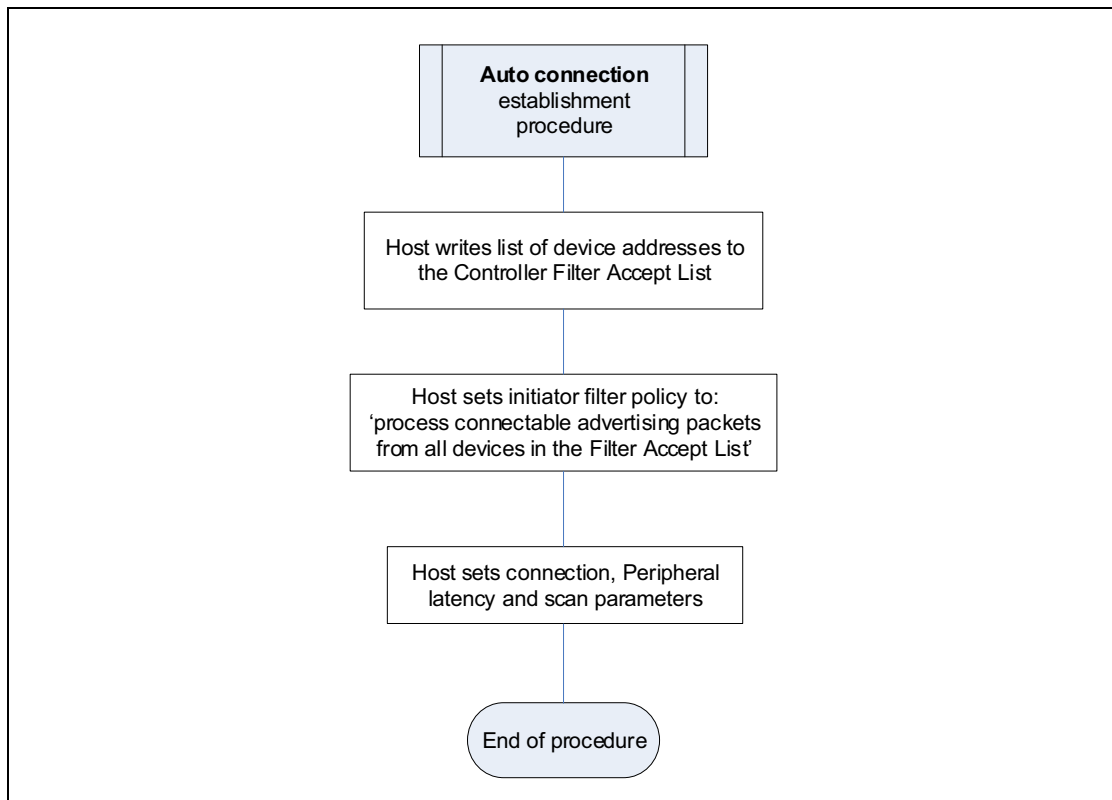


Figure 9.3: Flow chart for a device performing the Auto Connection Establishment procedure

When a Host performs the auto connection establishment procedure, the Host configures the Controller as follows:

1. The Host shall write the list of device addresses that are to be auto connected to into the Filter Accept List.
2. The Host shall set the initiator filter policy to 'process connectable advertising packets from all devices in the Filter Accept List'.
3. The Host should set the scan interval and scan window as defined in [Section 9.3.11](#).
4. The Host should set connection parameters as defined in [Section 9.3.12](#).

This procedure is terminated when a connection is established or when the Host terminates the procedure.

9.3.6 General Connection Establishment procedure

9.3.6.1 Description

The general connection establishment procedure allows the Host to establish a connection with a set of known peer devices in the directed connectable mode or the undirected connectable mode.



9.3.6.2 Conditions

Figure 9.4 shows the flow chart for a device performing the general connection establishment procedure.

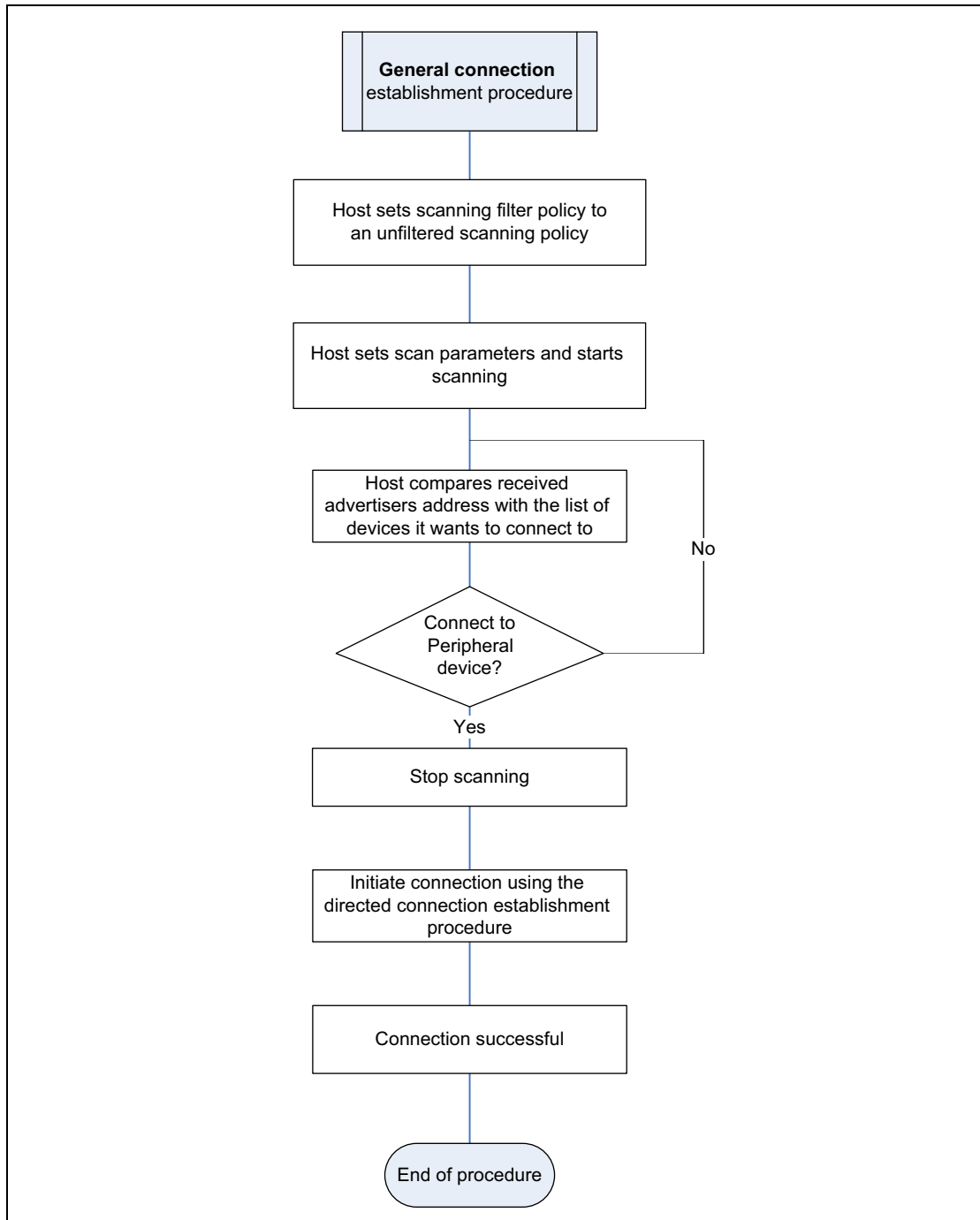


Figure 9.4: Flow chart for a device performing the General Connection Establishment procedure



When a Host performs the general connection establishment procedure, the Host configures the Controller as follows:

1. The Host shall set the scanning filter policy to an unfiltered scanning policy (see [Vol 6] Part B, Section 4.3.3).
2. The Host should set the scan interval as defined in Section 9.3.11.
3. The Host should set the scan window as defined in Section 9.3.11.
4. The Host shall start active scanning or passive scanning.
5. The Host should set connection parameters as defined in Section 9.3.12.

When the Host discovers a device to which the Host may attempt to connect, the Host shall stop the scanning, and initiate a connection using the direct connection establishment procedure.

This procedure is terminated when a connection is established or when the Host terminates the procedure.

9.3.7 Selective Connection Establishment procedure

9.3.7.1 Description

The selective connection establishment procedure allows the Host to establish a connection, using the Host selected connection configuration parameters, with any device whose address is stored in the Filter Accept List.

9.3.7.2 Conditions

Figure 9.5 shows the flow chart for a device performing the selective connection establishment procedure.

When a Host performs the selective connection establishment procedure, the Host configures the Controller as follows:

1. The Host shall write the list of device addresses that are to be selectively connected into the Filter Accept List.
2. The Host shall set the scanning filter policy to a filtered scanning policy (see [Vol 6] Part B, Section 4.3.3).
3. The Host should set the scan interval as defined in Section 9.3.11.
4. The Host should set the scan window as defined in Section 9.3.11.
5. The Host shall start active scanning or passive scanning.

When the Host discovers one of the peer devices it is connecting to, the Host shall stop scanning, and initiate a connection using the direct connection establishment procedure with the connection configuration parameters for that peer device.



This procedure is terminated when a connection is established or when the Host terminates the procedure.

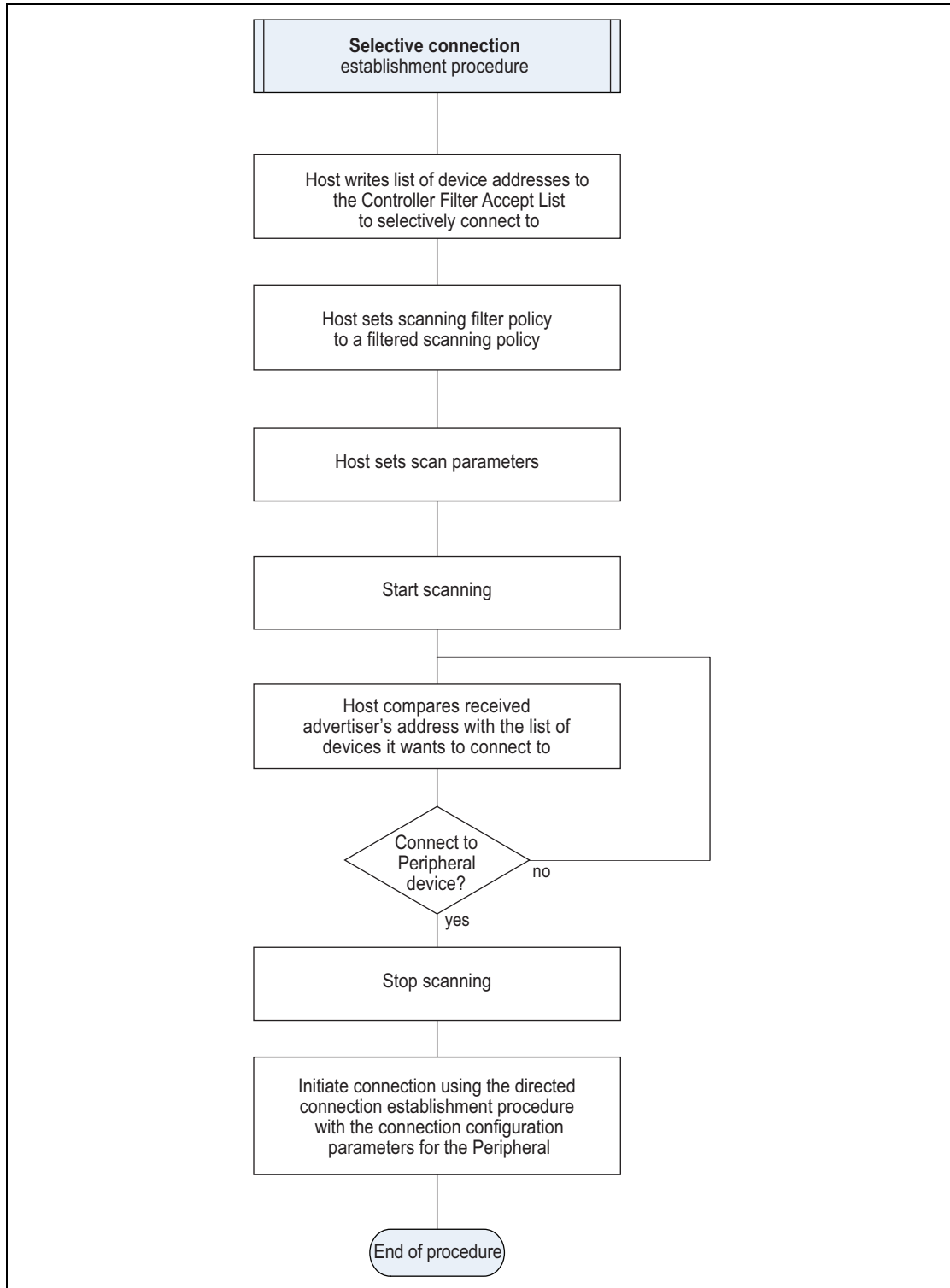


Figure 9.5: Flow chart for a device performing the Selective Connection Establishment procedure

9.3.8 Direct Connection Establishment procedure

9.3.8.1 Description

The direct connection establishment procedure allows the Host to establish a connection with the Host selected connection configuration parameters with a single peer device.

9.3.8.2 Conditions

Figure 9.6 shows the flow chart for a device performing the direct connection establishment procedure.

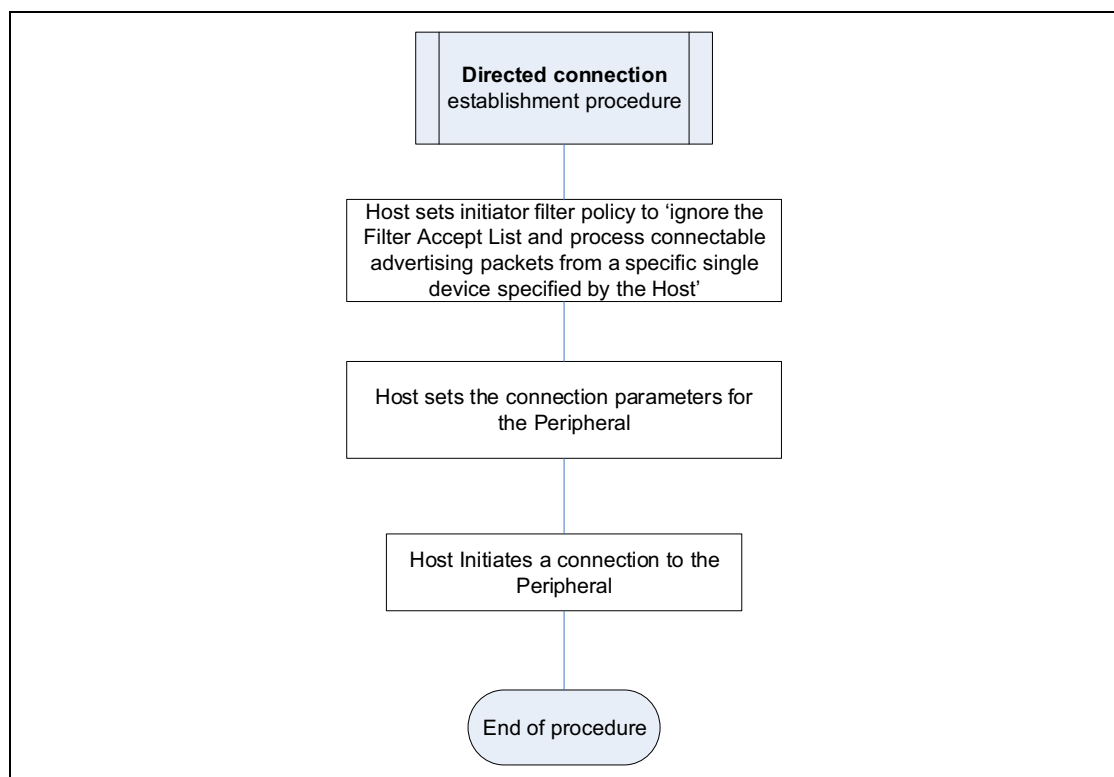


Figure 9.6: Flow chart for a device performing the Direct Connection Establishment procedure

When a Host performs the direct connection establishment procedure, the Host configures the Controller as follows:

1. The Host shall set the initiator filter policy to 'ignore the Filter Accept List and process connectable advertising packets from a specific single device specified by the Host'.
2. The Host shall set the peer address to the device address of the specific single device.
3. The Host should set connection parameters as defined in [Section 9.3.12](#).
4. The Host shall initiate a connection.



This procedure is terminated when a connection is established or when the Host terminates the procedure.

9.3.9 Connection Parameter Update procedure

9.3.9.1 Description

The connection parameter update procedure allows a Peripheral or Central to update the parameters of an established ACL connection.

9.3.9.2 Conditions

A Central initiating the connection parameter update procedure shall use the Link Layer Connection Update procedure defined in [\[Vol 6\] Part B, Section 5.1.1](#) with the required connection parameters if either the Central or the Peripheral does not support the Connection Parameters Request Link Layer Control procedure.

If both the Central and Peripheral support the Connection Parameters Request Link Layer control procedure, then the Central or Peripheral initiating the connection parameter update procedure shall use the Connection Parameters Request Link Layer Control procedure defined in [\[Vol 6\] Part B, Section 5.1.7](#) with the required connection parameters.

If either the Central or the Peripheral does not support the Connection Parameters Request Link Layer Control procedure, then the Peripheral initiating the connection parameter update procedure shall use the L2CAP_CONNECTION_PARAMETER_UPDATE_REQ command defined in [\[Vol 3\] Part A, Section 4.20](#) with the required connection parameters. The Peripheral shall not send an L2CAP_CONNECTION_PARAMETER_UPDATE_REQ command within $T_{GAP}(\text{conn_param_timeout})$ of an L2CAP_CONNECTION_PARAMETER_UPDATE_RSP being received. When the Central accepts the Peripheral initiated Connection Parameter Update, the Central should initiate the Link Layer Connection Update procedure defined in [\[Vol 6\] Part B, Section 5.1.1](#) with the required connection parameters within $T_{GAP}(\text{conn_param_timeout})$.

If the requested or updated connection parameters are unacceptable to the Central or Peripheral then it may disconnect the connection with the error code 0x3B (Unacceptable Connection Parameters). Devices should be tolerant of connection parameters given to them by the remote device.

9.3.10 Terminate Connection procedure

9.3.10.1 Description

The Terminate Connection procedure allows a Host to terminate the connection with a peer device.



9.3.10.2 Conditions

The Host should first terminate any associated CIS(es) prior to terminating the ACL.

The Host initiating the terminate connection procedure shall use the Link Layer ACL Termination procedure defined in [Vol 6] Part B, Section 5.1.6.

9.3.11 Connection Establishment Timing parameters

9.3.11.1 Description

The connection establishment timing parameters are used during initial connection establishment between a Central and a Peripheral.

A Central should use one of the GAP connection establishment procedures to initiate a connection to a Peripheral in a connectable mode. The procedures and modes that may use these timing parameters are defined in Section 9.3.4 to Section 9.3.8.

9.3.11.2 Conditions

A Central starting a user-initiated GAP connection establishment procedure should use the recommended scan interval $T_{\text{GAP}}(\text{scan_fast_interval})$ and scan window $T_{\text{GAP}}(\text{scan_fast_window})$ for $T_{\text{GAP}}(\text{scan_fast_period})$ when scanning on the LE 1M PHY and should use scan interval $T_{\text{GAP}}(\text{scan_fast_interval_coded})$ and scan window $T_{\text{GAP}}(\text{scan_fast_window_coded})$ for $T_{\text{GAP}}(\text{scan_fast_period})$ when scanning on the LE Coded PHY.

A Central that is background scanning (i.e. as part of a GAP connection establishment procedure that is not user-initiated) should use the recommended scan interval $T_{\text{GAP}}(\text{scan_slow_interval1})$ and scan window $T_{\text{GAP}}(\text{scan_slow_window1})$ when scanning on the LE 1M PHY and should use scan interval $T_{\text{GAP}}(\text{scan_slow_interval1_coded})$ and scan window $T_{\text{GAP}}(\text{scan_slow_window1_coded})$ when scanning on the LE Coded PHY. Alternatively the Central may use $T_{\text{GAP}}(\text{scan_slow_interval2})$ and scan window $T_{\text{GAP}}(\text{scan_slow_window2})$ when scanning on the LE 1M PHY and should use $T_{\text{GAP}}(\text{scan_slow_interval2_coded})$ and scan window $T_{\text{GAP}}(\text{scan_slow_window2_coded})$ when scanning on the LE Coded PHY.

A Peripheral entering any of the following GAP Modes should use the recommended advertising interval $T_{\text{GAP}}(\text{adv_fast_interval1})$ for $T_{\text{GAP}}(\text{adv_fast_period})$ when advertising on the LE 1M PHY and should use $T_{\text{GAP}}(\text{adv_fast_interval1_coded})$ for $T_{\text{GAP}}(\text{adv_fast_period})$ when advertising on the LE Coded PHY:

- Undirected Connectable Mode
- Limited Discoverable Mode and sending connectable undirected advertising events



- General Discoverable Mode and sending connectable undirected advertising events
- Directed Connectable Mode and sending low duty cycle connectable directed advertising events

A Peripheral when entering any of the following GAP Modes and sending non-connectable advertising events should use the recommended advertising interval $T_{\text{GAP}}(\text{adv_fast_interval2})$ for $T_{\text{GAP}}(\text{adv_fast_period})$ when advertising on the LE 1M PHY and should use $T_{\text{GAP}}(\text{adv_fast_interval2_coded})$ for $T_{\text{GAP}}(\text{adv_fast_period})$ when advertising on the LE Coded PHY:

- Non-Discoverable Mode
- Non-Connectable Mode
- Limited Discoverable Mode
- General Discoverable Mode

A Peripheral that is background advertising in any GAP Mode other than GAP Directed Connectable Mode with high duty cycle connectable directed advertising events should use the recommended advertising interval $T_{\text{GAP}}(\text{adv_slow_interval})$ when advertising on the LE 1M PHY and should use $T_{\text{GAP}}(\text{adv_slow_interval_coded})$ when advertising on the LE Coded PHY.

Note: When advertising interval values of less than 100 ms are used for non-connectable or scannable undirected advertising in environments where the advertiser can interfere with other devices, it is recommended that steps be taken to minimize the interference. For example, the advertising might be alternately enabled for only a few seconds and disabled for several minutes.

9.3.12 Connection interval timing parameters

9.3.12.1 Description

The connection interval timing parameters are used within a connection. Initial connection interval is used to ensure procedures such as bonding, encryption setup and service discovery are completed quickly. The connection interval should be changed to the value in the Peripheral Preferred Connection Parameters characteristic after initiating procedures are complete.

9.3.12.2 Conditions

The Central should either read the Peripheral Preferred Connection Parameters characteristic (see [Section 12.3](#)) or retrieve the parameters from advertising data (see [Section 12.3](#)).

The connection interval should be set to $T_{\text{GAP}}(\text{initial_conn_interval})$ when establishing a connection on the LE 1M PHY and to $T_{\text{GAP}}(\text{initial_conn_interval_coded})$ when establishing a connection on the LE



Coded PHY and *connPeripheralLatency* should be set to zero. These parameters should be used until the Central has no further pending actions to perform or until the Peripheral performs a Connection Parameter Update procedure (see [Section 9.3.9](#)).

After the Central has no further pending actions to perform and the Peripheral has not initiated any other actions within $T_{GAP}(conn_pause_central)$, then the Central should invoke the Connection Parameter Update procedure (see [Section 9.3.9](#)) and change the connection interval to that specified in the Peripheral Preferred Connection Parameters characteristic.

If the Central has not read the Peripheral Preferred Connection Parameters characteristic, then the Central may choose the connection parameters to be used.

After the Peripheral has no further pending actions to perform and the Central has not initiated any other actions within $T_{GAP}(conn_pause_central)$, then the Peripheral may perform a Connection Parameter Update procedure (see [Section 9.3.9](#)). The Peripheral should not perform a Connection Parameter Update procedure within $T_{GAP}(conn_pause_peripheral)$ after establishing a connection.

At any time a key refresh or encryption setup procedure is required and the current connection interval is greater than $T_{GAP}(initial_conn_interval)$ when connected on the LE 1M PHY or LE 2M PHY or greater than $T_{GAP}(initial_conn_interval_coded)$ when connected on the LE Coded PHY, the key refresh or encryption setup procedure should be preceded with a Connection Parameter Update procedure (see [Section 9.3.9](#)). The connection interval should be set to $T_{GAP}(initial_conn_interval)$ when connected on the LE 1M PHY or the LE 2M PHY and $T_{GAP}(initial_conn_interval_coded)$ when connected on the LE Coded PHY, *connSubrateFactor* should be set to 1, and *connPeripheralLatency* should be set to zero. This fast connection interval should be maintained until the key refresh or encryption setup procedure is complete. It should then switch to the value in the Peripheral Preferred Connection Parameters characteristic.

9.3.13 Connected Isochronous Stream Central Establishment procedure

9.3.13.1 Description

The Connected Isochronous Stream Central Establishment procedure allows the Host of a Central to establish a CIS with a Peripheral using the Host selected parameters.

9.3.13.2 Conditions

When two devices are connected, a Central may establish one or more CISes with a Peripheral. A CIS is established by the Central using the Connected Isochronous Stream Creation procedure (see [\[Vol 6\] Part B, Section 5.1.15](#)).



The Central and or Peripheral may send isochronous data over the established CIS.

9.3.14 Connected Isochronous Stream Peripheral Establishment procedure

9.3.14.1 Description

The Connected Isochronous Stream Peripheral Establishment procedure allows the Host of the Peripheral to accept or reject the request from a Central to establish a CIS.

9.3.14.2 Conditions

When two devices are connected, the Peripheral may receive a request from the Central to establish a CIS. Once the request is received, the Host in the Peripheral shall either accept or reject the request. If it accepts the request, the CIS can be established using the Connected Isochronous Stream Creation procedure defined in [\[Vol 6\] Part B, Section 5.1.15](#).

9.3.15 Connected Isochronous Stream Terminate procedure

9.3.15.1 Description

The Connected Isochronous Stream Terminate procedure allows a Host to terminate a CIS with a peer device. The CIS shall also be terminated when the ACL between the Central and Peripheral is terminated, using the Terminate Connection procedure ([Section 9.3.10](#)).

9.3.15.2 Conditions

The Host initiating the Connected Isochronous Stream Terminate procedure shall use the Connected Isochronous Stream Termination control procedure defined in [\[Vol 6\] Part B, Section 5.1.16](#).

9.3.16 Connection Subrate procedure

9.3.16.1 Description

The Connection Subrate procedure allows a Peripheral or Central to modify the connection subrating and other connection parameters of an established ACL connection.

9.3.16.2 Conditions

The Central initiating this procedure shall use the Link Layer Connection Subrate Update procedure defined in [\[Vol 6\] Part B, Section 5.1.19](#) and the



Peripheral initiating this procedure shall use the Connection Substrate Request procedure defined in [\[Vol 6\] Part B, Section 5.1.20](#).

If the requested substrate connection parameters are unacceptable to the Central then it may reject them. If the updated substrate connection parameters are unacceptable to the Peripheral it cannot reject them but may follow up by using the Connection Parameter Request procedure (see [\[Vol 6\] Part B, Section 5.1.7](#)) or the Connection Substrate Request procedure (see [\[Vol 6\] Part B, Section 5.1.20](#)) to change them. Devices should be tolerant of the connection parameters requested by the peer device.

9.4 BONDING MODES AND PROCEDURES

Bonding allows two connected devices to exchange and store security and identity information to create a trusted relationship. The security and identity information as defined in [\[Vol 3\] Part H, Section 2.4.1](#) is also known as the bonding information. When the devices store the bonding information, it is known as the phrases ‘devices have bonded’ or ‘a bond is created’.

There are two modes for bonding, non-bondable mode and bondable mode. Bonding may only occur between two devices in bondable mode. The requirements for a device to support the bonding modes and procedure are defined in [Table 9.4](#).

9.4.1 Requirements

Bonding	Ref.	Peripheral	Central	Broadcaster	Observer
Non-Bondable mode	9.4.2	M	M	E	E
Bondable mode	9.4.3	O	O	E	E
Bonding procedure	9.4.4	C.1	C.1	E	E
C.1: Mandatory if Bondable mode is supported, otherwise Excluded.					

Table 9.4: Bonding requirements

9.4.2 Non-bondable mode

9.4.2.1 Description

A device in the non-bondable mode does not allow a bond to be created with a peer device.

9.4.2.2 Conditions

If a device does not support pairing as defined in the Security Manager section then it is considered to be in non-bondable mode.



If Security Manager pairing is supported, the Host shall set the Bonding_Flags to 'No Bonding' as defined in [Vol 3] Part H, Section 3.5.1 and bonding information shall not be exchanged or stored.

9.4.3 Bondable mode

9.4.3.1 Description

A device in the bondable mode allows a bond to be created with a peer device in the bondable mode.

9.4.3.2 Conditions

The Host shall set the Bonding_Flags to 'Bonding' during the pairing procedure.

9.4.4 Bonding procedure

9.4.4.1 Description

The bonding procedure may be performed when a non-bonded device tries to access a service that requires bonding. The bonding procedure may be performed for the purpose of creating a bond between two devices.

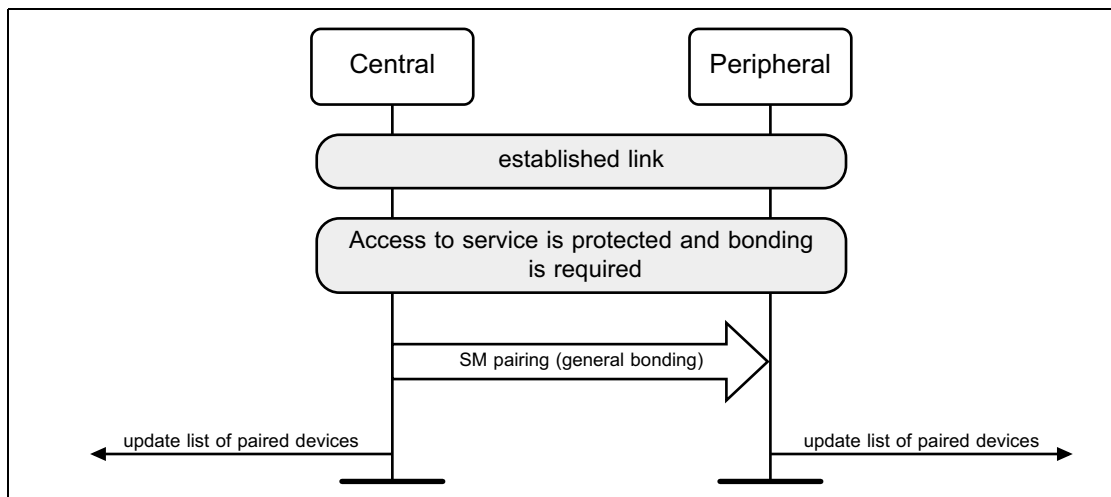


Figure 9.7: The bonding procedure

9.4.4.2 Conditions

The Host of the Central initiates the pairing process as defined in [Vol 3] Part C, Section 2.1 with the Bonding_Flags set to Bonding as defined in [Vol 3] Part H, Section 3.5.1. If the peer device is in the bondable mode, the devices shall exchange and store the bonding information in the security database.



If a device supports the generation of resolvable private addresses as defined in [Section 10.8.2.2](#) and generates a resolvable private address for its local address, it shall send Identity Information with SMP, including a valid IRK. If a device does not generate a resolvable private address for its own address and the Host sends Identity Information with SMP, the Host shall send an all-zero IRK. If a device supports resolving resolvable private addresses as defined in [Section 10.8.2.3](#), it shall request the peer device to send its Identity Information with SMP. The Host can abort the pairing procedure if the authentication requirements are not sufficient to distribute the IRK.

9.5 PERIODIC ADVERTISING MODES AND PROCEDURE

The periodic advertising modes and procedure allow two or more devices to communicate in a connectionless manner using extended advertising events and periodic advertising events. These modes and procedures can also make use of existing connections. The requirements for a device operating in a specific GAP role to support these modes and procedures are defined in [Table 9.5](#).

Mode and Procedures	Ref.	Broadcaster	Observer	Peripheral	Central
Periodic Advertising Synchronizability mode	9.5.1	O	E	E	E
Periodic Advertising mode	9.5.2	C.1	E	E	E
Periodic Advertising Synchronization Establishment procedure	9.5.3	E	O	O	O
Periodic Advertising Synchronization Transfer procedure	9.5.4	E	E	C.2	C.2
Periodic Advertising Connection procedure	9.5.5	O	O	E	E
C.1: Mandatory if Periodic Advertising Synchronizability mode is supported, otherwise excluded.					
C.2: Optional if Periodic Advertising Mode is supported or the Periodic Advertising Synchronization Establishment procedure is supported, otherwise excluded.					

Table 9.5: Periodic advertising modes and periodic advertising procedure requirements

9.5.1 Periodic Advertising Synchronizability mode

9.5.1.1 Definition

The periodic advertising synchronizability mode provides a method for a device to send synchronization information about a periodic advertising train (with or without responses) using advertisements.



9.5.1.2 Conditions

A device in the periodic advertising synchronizability mode shall send synchronization information for a periodic advertising train (with or without responses) in non-connectable and non-scannable extended advertising events. The advertising interval used is unrelated to the interval between the periodic advertising events.

A device shall not be in periodic advertising synchronizability mode unless it is also in periodic advertising mode. It may leave, and possibly re-enter, periodic advertising synchronizability mode while remaining in periodic advertising mode.

9.5.2 Periodic Advertising mode

9.5.2.1 Definition

On periodic advertising trains without responses, the periodic advertising mode provides a method for a device to send advertising data at periodic and deterministic intervals. On periodic advertising trains with responses, a device may send advertising data in one or more subevents to synchronized devices who may also send data back to the device.

9.5.2.2 Conditions

A device in the periodic advertising mode shall send periodic advertising events at the interval and using the frequency hopping sequence specified in the periodic advertising synchronization information. On periodic advertising trains with responses, the interval may be divided into subevents. During a subevent, a synchronized device may send data back to the device in response slots.

A device entering periodic advertising mode shall also enter periodic advertising synchronizability mode for at least long enough to complete one extended advertising event (see [\[Vol 6\] Part B, Section 4.4.2.12](#)).

9.5.3 Periodic Advertising Synchronization Establishment procedure

9.5.3.1 Definition

The periodic advertising synchronization establishment procedure provides a method for a device to receive periodic advertising synchronization information and to synchronize to a periodic advertising train.

9.5.3.2 Conditions

A device performing the periodic advertising synchronization establishment procedure shall scan for non-connectable and non-scannable advertising



events containing synchronization information about a periodic advertising train or shall accept periodic advertising synchronization information over an existing connection by taking part in the Link Layer Periodic Advertising Sync Transfer procedure defined in [\[Vol 6\] Part B, Section 5.1.13](#). When a device receives synchronization information for a periodic advertising train, it may listen for periodic advertising events at the intervals and using the frequency hopping sequence specified in the periodic advertising synchronization information. If a device receives synchronization information about periodic advertising with responses, it may listen to one or more subevents in the interval and may send data to the periodic advertiser.

9.5.4 Periodic Advertising Synchronization Transfer procedure

9.5.4.1 Definition

The periodic advertising synchronization transfer procedure provides a method for a device to send synchronization information about a periodic advertising train over an existing connection.

9.5.4.2 Conditions

A device performing the periodic advertising synchronization transfer procedure shall initiate the Link Layer Periodic Advertising Sync Transfer procedure defined in [\[Vol 6\] Part B, Section 5.1.13](#).

9.5.5 Periodic Advertising Connection procedure

9.5.5.1 Definition

The periodic advertising connection procedure provides a method for a periodic advertiser to initiate a Link Layer connection with a synchronized device.

9.5.5.2 Conditions

A device performing the periodic advertising connection procedure shall initiate the Link Layer connection procedure using periodic advertising trains with responses (see [\[Vol 6\] Part B, Section 4.4.2.12.2](#)).

9.6 ISOCHRONOUS BROADCAST MODES AND PROCEDURES

The Isochronous Broadcast modes and procedures allow two or more devices to communicate in a unidirectional, connectionless manner by using extended advertising events, periodic advertising events, and BIG and BIS events. The



requirements for a device that operates in a specific GAP role to support these modes and procedures are defined in [Table 9.6](#).

Modes and Procedures	Ref.	Peripheral	Central	Broadcaster	Observer
Broadcast Isochronous Synchronizability mode	9.6.1	E	E	C.1	E
Broadcast Isochronous Broadcasting mode	9.6.2	E	E	O	E
Broadcast Isochronous Synchronization Establishment procedure	9.6.3	E	E	E	O
Broadcast Isochronous Channel Map Update procedure	9.6.4	E	E	C.1	C.2
Broadcast Isochronous Terminate procedure	9.6.5	E	E	C.1	C.2

Table 9.6: Isochronous Broadcast modes and procedure requirements

C.1: Mandatory if Broadcast Isochronous Broadcasting mode is supported, otherwise excluded.

C.2: Mandatory if Broadcast Isochronous Synchronization Establishment procedure is supported, otherwise excluded.

9.6.1 Broadcast Isochronous Synchronizability mode

9.6.1.1 Definition

The Broadcast Isochronous Synchronizability mode provides a method for a device to transmit the synchronization information of a BIG.

9.6.1.2 Conditions

A device shall also be in the Broadcast Isochronous Broadcasting mode while it is in the Broadcast Isochronous Synchronizability mode. A device in the Broadcast Isochronous Synchronizability mode shall send the BIGInfo in the ACAD field which is located in the AUX_SYNC_IND PDU of periodic advertisement ([\[Vol 6\] Part B, Section 2.3.4.8](#)).

9.6.2 Broadcast Isochronous Broadcasting mode

9.6.2.1 Definition

The Broadcast Isochronous Broadcasting mode provides a method for a device in the Broadcaster role to send encrypted or unencrypted Broadcast Isochronous PDUs in subevents of BISes of a BIG ([\[Vol 6\] Part B, Section 4.4.6](#)).



9.6.2.2 Conditions

A device in the Broadcast Isochronous Broadcasting mode shall send isochronous PDUs in subevents of BISes of a BIG ([Vol 6] Part B, Section 4.4.6).

9.6.3 Broadcast Isochronous Synchronization Establishment procedure

9.6.3.1 Definition

The Broadcast Isochronous Synchronization Establishment procedure provides a way for a device to synchronize to a BIS.

9.6.3.2 Conditions

A device that performs the Broadcast Isochronous Synchronization Establishment procedure shall first perform the Periodic Advertising Synchronization Establishment procedure (Section 9.5.3) and receive the synchronization information. The synchronization information is used to synchronize to the required BIS in the BIG ([Vol 6] Part B, Section 4.4.6).

9.6.4 Broadcast Isochronous Channel Map Update procedure

9.6.4.1 Definition

The Broadcast Isochronous Channel Map Update procedure allows a Broadcaster to use and transmit a new channel map of a BIG, or an Observer to receive and use a new channel map for a BIG.

9.6.4.2 Conditions

In this procedure, the Broadcaster sends the channel map command in the BIG events ([Vol 6] Part B, Section 4.4.6.4). When an Observer receives a channel map message, it uses the new channel when receiving data from the BIG.

9.6.5 Broadcast Isochronous Terminate procedure

9.6.5.1 Definition

The Broadcast Isochronous Terminate procedure allows a Host of a Broadcaster to terminate a BIG, or the Host of an Observer to terminate synchronization with a BIG.

9.6.5.2 Conditions

The Host initiating the Broadcast Isochronous Stream Terminate procedure shall use the Broadcast Isochronous Stream Termination control procedure defined in [Vol 6] Part B, Section 5.6.2.



10 SECURITY ASPECTS – LE PHYSICAL TRANSPORT

This section defines the modes and procedures that relate to the security of either an ACL connection or broadcast. The modes and procedures that relate to the security of a CIS shall be the same as that used in its associated ACL. The following modes and procedures are defined:

- LE security mode 1
- LE security mode 2
- LE security mode 3
- Authentication procedure
- Authorization procedure
- Connection data signing procedure
- Authenticate signed data procedure
- Encrypted Advertising Data procedure

Requirements for a device to support the LE security modes and procedures is shown in [Table 10.1](#).



10.1 REQUIREMENTS

Security Modes and Procedures	Ref.	Broadcaster	Observer	Peripheral	Central
LE Security mode 1	10.2.1	E	E	O	O
LE Security mode 2	10.2.2	E	E	O	O
LE Security mode 3	10.2.5	O	O	E	E
Authentication procedure	10.3	E	E	O	O
Authorization procedure	10.5	E	E	O	O
Connection data signing procedure	10.4.1	E	E	O	O
Authenticate signed data procedure	10.4.2	E	E	O	O
Encrypted Advertising Data procedure	10.10	O	O	O	O

Table 10.1: Requirements related to security modes and procedures

10.2 LE SECURITY MODES

The security requirements of a device, a service or a service request are expressed in terms of a security mode and security level. Each service or service request may have its own security requirement. The device may also have a security requirement. A physical connection between two devices shall operate in only one security mode.

There are three LE security modes, LE security mode 1, LE security mode 2, and LE security mode 3.

10.2.1 LE security mode 1

LE security mode 1 has the following security levels:

1. No security (No authentication and no encryption)
2. Unauthenticated pairing with encryption
3. Authenticated pairing with encryption
4. Authenticated LE Secure Connections pairing with encryption using a 128-bit strength encryption key.

For certain services that require LE security mode 1, levels 2 or 3, a device may enforce the use of LE Secure Connections pairing before those services can be used.



A connection operating in LE security mode 1 level 2 shall also satisfy the security requirements for LE security mode 1 level 1.

A connection operating in LE security mode 1 level 3 shall also satisfy the security requirements for LE security mode 1 level 2 or LE security mode 1 level 1.

A connection operating in LE security mode 1 level 3 shall also satisfy the security requirements for LE security mode 2.

A connection operating in LE security mode 1 level 4 shall also satisfy the security requirements for LE security mode 1 level 3 or LE security mode 1 level 2 or LE security mode 1 level 1.

A connection operating in LE security mode 1 level 4 shall also satisfy the security requirements for LE security mode 2.

10.2.2 LE security mode 2

LE security mode 2 has two security levels:

1. Unauthenticated pairing with data signing
2. Authenticated pairing with data signing

LE security mode 2 shall only be used for connection based data signing.

Data signing as defined in [Section 10.4](#) shall not be used when a connection is operating in LE security mode 1 level 2, LE security mode 1 level 3, or LE security mode 1 level 4.

10.2.3 Mixed security modes requirements

If there are requirements for both LE security mode 1 and LE security mode 2 level 2 for a given physical link then LE security mode 1 level 3 shall be used.

If there are requirements for both LE security mode 1 level 3 and LE security mode 2 for a given physical link then LE security mode 1 level 3 shall be used.

If there are requirements for both LE security mode 1 level 2 and LE security mode 2 level 1 for a given physical link then LE security mode 1 level 2 shall be used.

If there are requirements for both LE security mode 1 level 4 and any other security mode or level for a given physical link then LE security mode 1 level 4 shall be used.



10.2.4 Secure Connections Only mode

A device may be in a Secure Connections Only mode. When in Secure Connections Only mode only security mode 1 level 4 shall be used except for services that only require security mode 1 level 1.

The device shall only accept new outgoing and incoming service level connections for services that require Security Mode 1, Level 4 when the remote device supports LE Secure Connections and authenticated pairing is used.

10.2.5 LE security mode 3

LE security mode 3 has three security levels:

1. No security (no authentication and no encryption)
2. Use of unauthenticated Broadcast_Code
3. Use of authenticated Broadcast_Code

LE security mode 3 shall be used to broadcast a Broadcast Isochronous Group (BIG) in an Isochronous Broadcaster or receive a BIS in a Synchronized Receiver.

A device operating in security mode 3 level 1 shall require that the isochronous data is unencrypted.

A device that operates in LE security mode 3 level 2 shall require a Broadcast_Code to encrypt the data that is transmitted in a BIS. A device that operates in this mode shall also satisfy the security requirements for LE security mode 3 level 1.

A device that operates in LE security mode 3 level 3 shall require a Broadcast_Code to encrypt the data that is transmitted in a BIS. A device that operates in this mode shall also satisfy the security requirements for LE security mode 3 level 2 and LE security mode 3 level 1. If the device has not received a Broadcast_Code using an authenticated method when the service requires Level 3 security, the device should indicate an appropriate error to the user (e.g., Insufficient Security for Broadcast_Code).

10.3 AUTHENTICATION PROCEDURE

The authentication procedure describes how the required security is established when a device initiates a service request to a remote device and when a device receives a service request from a remote device. The authentication procedure covers LE security mode 1. The authentication procedure shall only be initiated after a connection has been established.

LE security mode 2 pertains to the use of data signing and is covered in [Section 10.4](#).



Authentication in LE security mode 1 is achieved by enabling encryption as defined in [Section 10.6](#). The security of the encryption is impacted by the type of pairing performed. There are two types of pairing: authenticated pairing or unauthenticated pairing. Authenticated pairing involves performing the pairing procedure defined in [\[Vol 3\] Part H, Section 2.1](#) with the authentication set to 'MITM protection'. Unauthenticated pairing involves performing the pairing procedure with authentication set to 'No MITM protection'.

Note: In this section, the terms “authenticated pairing” and “unauthenticated pairing” refer to the security method used to perform pairing and are not related to the authentication of previously bonded devices during a reconnection.

[Section 10.3.1](#) specifies the authentication procedure when a device responds to a service request. [Section 10.3.2](#) specifies the authentication procedure when a device initiates a service request.

10.3.1 Responding to a service request

In this section the local device is the device responding to a service request made by a remote device. In the L2CAP protocol the local device responds with a connection response to a remote device making a connection request. In GATT, the local device is the GATT Server and the remote device is the GATT Client.

When a local device receives a service request from a remote device, it shall respond with an error code if the service request is denied. The error code is dependent on whether the current connection is encrypted or not and on the type of pairing that was performed to create the LTK or STK to be used.

When a local device receives a service request from a remote device it shall behave according to the following rules:

- The local device's security database specifies the security settings required to accept a service request. If no encryption and no data signing are required, the service request shall be accepted. If encryption is required the local device shall send an error code as defined in [Table 10.2](#). If no encryption is required, but data signing is required, then the local device behavior is as defined in [Section 10.4](#).

- If neither an LTK nor an STK is available, the service request shall be rejected with the error code “Insufficient Authentication”.

Note: When the link is not encrypted, the error code “Insufficient Authentication” does not indicate that MITM protection is required.

- If an LTK or an STK is available and encryption is required (LE security mode 1) but encryption is not enabled, the service request shall be rejected with the error code “Insufficient Encryption”. If the encryption is enabled with a key size that is too short then the service request shall be rejected with the error code “Encryption Key Size Too Short.”



- If an authenticated pairing is required but only an unauthenticated pairing has occurred and the link is currently encrypted, the service request shall be rejected with the error code “Insufficient Authentication.”

Note: When unauthenticated pairing has occurred and the link is currently encrypted, the error code “Insufficient Authentication” indicates that MITM protection is required.

- If LE Secure Connections pairing is required but LE legacy pairing has occurred and the link is currently encrypted, the service request shall be rejected with the error code “Insufficient Authentication”.

The local device will respond with the minimum security level required for access to its services. If the local device has no security requirement it should default to the minimum security level that the local device is capable of as defined in pairing phase 1, (see [Vol 3] Part H, Section 2.1).

A local device shall not require an authenticated pairing (MITM) if the local device does not support the required IO capabilities or OOB data¹.

The local device responds to a service request from a remote device are summarized in Table 10.2.

Link Encryption State	Local Device’s Access Requirement for Service	Local Device Pairing Status			
		No LTK No STK	Unauthenticated LTK (with or without LE Secure Connections) or Unauthenticated STK	Authenticated LTK without LE Secure Connections or Authenticated STK	Authenticated LTK with Secure Connections
Unencrypted	None	Request succeeds	Request succeeds	Request succeeds	Request succeeds
	Encryption, No MITM Protection	Error Resp.: Insufficient Authentication	Error Resp.: Insufficient Encryption	Error Resp.: Insufficient Encryption	Error Resp.: Insufficient Encryption
	Encryption, MITM Protection	Error Resp.: Insufficient Authentication	Error Resp.: Insufficient Encryption	Error Resp.: Insufficient Encryption	Error Resp.: Insufficient Encryption
	Encryption, MITM Protection, Secure Connections	Error Resp.: Insufficient Authentication	Error Resp.: Insufficient Encryption	Error Resp.: Insufficient Encryption	Error Resp.: Insufficient Encryption

Table 10.2: Local device responds to a service request

1. If an OOB mechanism is used, the level of MITM protection is dependent upon the properties of the OOB communications channel. See [Vol 3] Part H, Section 2.3.5.1 for more information



Link Encryption State	Local Device's Access Requirement for Service	Local Device Pairing Status			
		No LTK No STK	Unauthenticated LTK (with or without LE Secure Connections) or Unauthenticated STK	Authenticated LTK without LE Secure Connections or Authenticated STK	Authenticated LTK with Secure Connections
Encrypted	None	N/A (Not possible to be encrypted without LTK)	Request succeeds	Request succeeds	Request succeeds
	Encryption, No MITM Protection		Request succeeds	Request succeeds	Request succeeds
	Encryption, MITM Protection		Error Resp.: Insufficient Authentication	Request succeeds	Request succeeds
	Encryption, MITM Protection, Secure Connections		Error Resp.: Insufficient Authentication	Error Resp.: Insufficient Authentication	Request succeeds

Table 10.2: Local device responds to a service request



Figure 10.1 shows how a server handles a service request.

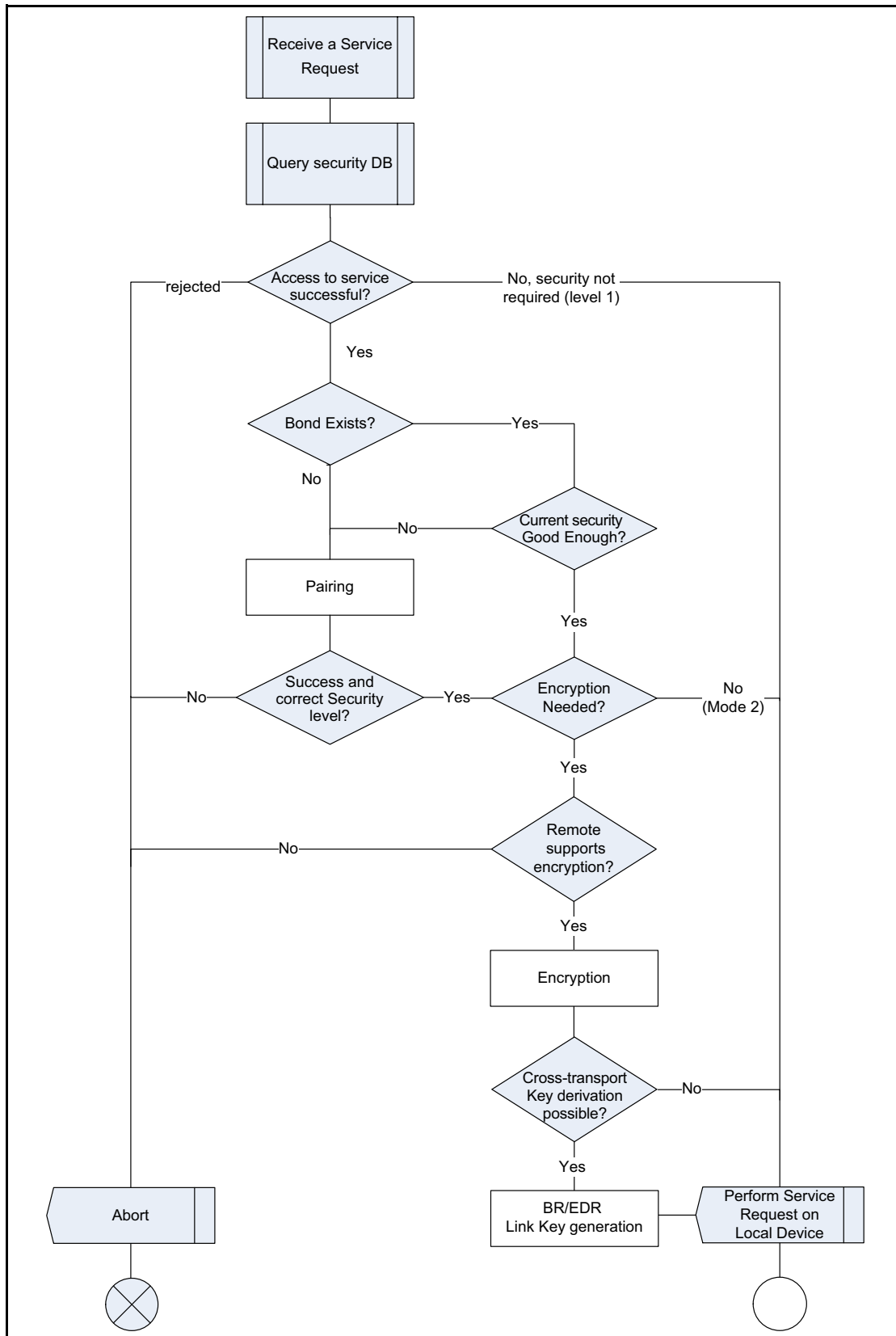


Figure 10.1: Flow chart for a local device handling a service request from a remote device



10.3.1.1 Handling of GATT indications and notifications

A client “requests” a server to send indications and notifications by appropriately configuring the server via a Client Characteristic Configuration Descriptor. Since the configuration is persistent across a disconnection and reconnection, security requirements shall be checked against the configuration upon a reconnection before sending indications or notifications. When a server reconnects to a client to send an indication or notification for which security is required, the server shall initiate or request encryption with the client prior to sending an indication or notification. If the client does not have an LTK, indicating that the client has lost the bond, enabling encryption will fail.

10.3.1.2 Cross-transport key generation

After encryption is enabled, the correct security level has been achieved, and both devices support cross-transport key generation, the both devices may perform BR/EDR link key derivation.

Note: If the LTK has an encryption key size that is shorter than 16 octets (128 bits), the BR/EDR link key is derived before the LTK gets masked.

10.3.2 Initiating a service request

In this section the local device is the device initiating a service request to a remote device. In the L2CAP protocol the local device sends the connection request and the remote device sends the connection response. In GATT, the local device is the GATT Client and the remote device is the GATT Server.

When a local device initiates a service request to a remote device it shall behave according to the following rules:

- The local device’s security database specifies the security required to initiate a service request. If no encryption is required by the local device then the service request may proceed without encryption or pairing.
- If an LTK is not available but encryption is required, the pairing procedure shall be initiated with the local device’s required authentication settings. If the pairing procedure fails then the service request shall be aborted.

Note: When encryption is not enabled, the error code “Insufficient Authentication” does not indicate to the local device that MITM protection is required.

Note: If the local device is a Peripheral then it may send a Peripheral Initiated Security Request as defined in [\[Vol 3\] Part H, Section 2.4.6](#).

- If pairing has occurred but the encryption key size is insufficient the pairing procedure shall be executed with the required encryption key size. If the pairing procedure fails then the service request shall be aborted.
- If an LTK is available and encryption is required (LE security mode 1) then encryption shall be enabled before the service request proceeds as defined



in [Section 10.6](#). Once encryption is enabled the service request shall proceed. If encryption fails, then either the bond no longer exists on the remote device or the wrong device has been connected. If the local device does not abandon the service request, it shall trigger a user interaction to confirm the remote device and then re-bond, perform service discovery, and reconfigure the remote device (reconfiguring the remote device can involve actions such as re-enabling indications and notifications on the relevant characteristics). If the local device had previously determined that the remote device did not have the «Service Changed» characteristic, or if the local device determines by reading the «Database Hash» characteristic that the database has not changed, then service discovery may be skipped.

- If an authenticated pairing is required but only an unauthenticated pairing has occurred and the link is currently encrypted, the pairing procedure should be executed with the required authentication settings. If the pairing procedure fails, or an authenticated pairing cannot be performed with the IO capabilities of the local device and remote device, then the service request shall be aborted.

When a bond has been created between two devices, any reconnection should result in the local device enabling or requesting encryption with the remote device before initiating any service request.

If a local device does not enable encryption before initiating a service request and relies on the error codes to determine the security requirements, the local device shall not request pairing with MITM protection in response to receiving an “Insufficient Authentication” error code from the remote device while the link is unencrypted. The local device shall only set the MITM protection required flag if the local device itself requires MITM protection.

- If encryption is not enabled at the time of the service request, the error code “Insufficient Authentication” is received, and the local device currently has an LTK, then the encryption procedure should be started (see [Section 10.6](#)). If this fails (likely indicating that the remote device has lost the bond and no longer has the LTK) or the local device does not have the correct LTK, then it should re-pair. If it re-pairs, it shall trigger a user interaction to confirm the remote device before starting the pairing procedure. IO capabilities are exchanged in pairing phase 1, (see [\[Vol 3\] Part H, Section 2.1](#)) and the security level shall be determined by the devices’ IO capabilities and MITM requirements.
- If encryption is not enabled at the time of the service request, the error code “Insufficient Encryption” is received, and the local device currently has an LTK, then the encryption procedure shall be started (see [Section 10.6](#)). If starting encryption fails (likely indicating that the remote device has lost the bond and no longer has the LTK) or the local device does not have the correct LTK, then it should re-pair. If it re-pairs, it shall trigger a user interaction to confirm the remote device before starting the pairing procedure.
- If LE Secure Connections authenticated pairing is required but the remote device does not support LE Secure Connections, then the service request shall be aborted.



Figure 10.2 shows how a client issues a service request.

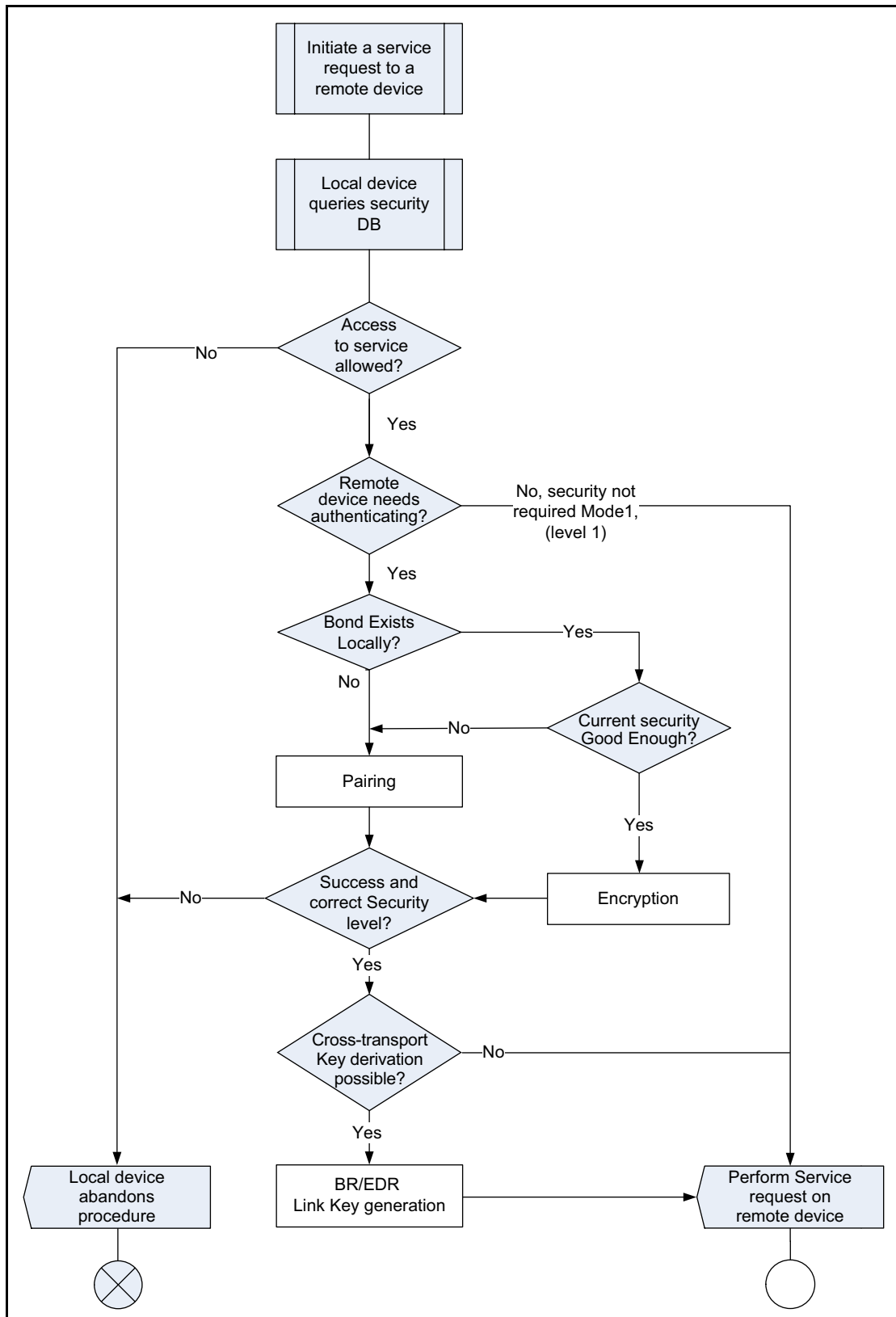


Figure 10.2: Flow chart for a local device issuing a service request to a remote device



10.3.2.1 Cross-transport key generation

After encryption is enabled, the correct security level has been achieved, and both devices support cross-transport key generation, the both devices may perform BR/EDR link key derivation.

Note: If the LTK has an encryption key size that is shorter than 16 octets (128 bits), the BR/EDR link key is derived before the LTK gets masked.

10.3.2.2 Handling of GATT indications and notifications

A client requests a server to send indications and notifications by appropriately configuring the server via a Client Characteristic Configuration Descriptor. Since the configuration is persistent across a disconnection and reconnection, the client shall check the security requirements against the configuration upon a reconnection before processing any indications or notifications from the server. Any notifications received before the security requirements are met shall be ignored. Any indications received before the security requirements are met shall be confirmed and then discarded. When a client reconnects to a server and expects to receive indications or notifications for which security is required, the client shall enable encryption with the server. If the server does not have an LTK, indicating that the server has lost the bond, enabling encryption will fail.

10.4 DATA SIGNING

The data signing is used for transferring authenticated data between two devices in an unencrypted connection. The data signing method is used by services that require fast connection set up and fast data transfer.

If a service request specifies LE security mode 2, the connection data signing procedure shall be used.

10.4.1 Connection Data Signing procedure

A device shall generate a new Connection Signature Resolving Key CSRK for each set of peer device(s) to which it sends signed data in connections. CSRK is defined in [\[Vol 3\] Part H, Section 2.4.2.2](#).

The data shall be formatted using the Signing Algorithm as defined in [\[Vol 3\] Part H, Section 2.4.5](#) where m is the Data PDU to be signed, k is the CSRK and the SignCounter is the counter value. A Signature is composed of the counter value and the Message Authentication Code (MAC) generated by the Signing Algorithm. The counter value shall be incremented by one for each new Data PDU sent.



The format of signed data is shown in [Figure 10.3](#).

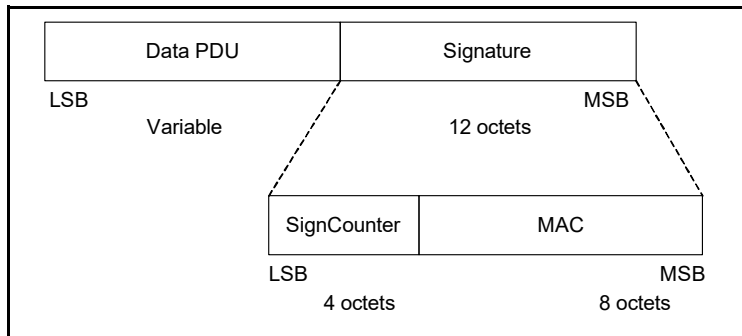


Figure 10.3: Generic format of signed data

10.4.2 Authenticate Signed Data procedure

If encryption is not required and CSRK is available (LE security mode 2) then the data signing procedure shall be used when making a service request involving a write operation.

Note: The existence of the bond on the server can be determined by successfully enabling encryption with the server using the encryption procedure defined in Section 10.6. A higher layer profile may allow a client to not perform the authentication procedure. Alternatively, a higher layer protocol may signal the client that the signature check has failed due to a lost bond, and the client may then take action to notify the user or attempt to pair again to reestablish the bond.

A device receiving signed data shall authenticate it by performing the Signing Algorithm. The signed data shall be authenticated by performing the Signing Algorithm where m is the Data PDU to be authenticated, k is the stored CSRK and the SignCounter is the received counter value. If the MAC computed by the Signing Algorithm does not match the received MAC, the verification fails and the Host shall ignore the received Data PDU.

Since the server does not respond to a Signed Write command, the higher layer application is not necessarily notified of the ignored request. Hence, it is recommended that the server disconnect the link in case the client is a malicious device attempting to mount a security attack.

If the server has no stored CSRK upon receiving a signed write command, it shall ignore the received Data PDU. Since the server does not respond to a Signed Write command, the higher layer application is not necessarily notified of the ignored request. Although the disconnection may be an adequate indication to the user that the devices need to be paired, it is recommended that implementers consider providing an explanatory indication to the user that the devices need to be paired to establish a CSRK.



If the server receives a request from a client for a write operation that requires a response (i.e. other than a Signed Write command or Write command), and encryption is not enabled, then the server shall respond with the error code “Insufficient Authentication”.

If the link is encrypted and the server receives a request from a client for which the server requires data signing but does not require encryption, then the server shall complete the request if it is otherwise valid as the encrypted state of the link is considered to satisfy the signing requirement.

As required by [Section 10.2.2](#), for a given link, signed data is not used at the same time as encryption. Therefore, if the client wishes to test that the server is still bonded, and thus enables encryption, further data transfer must occur without signing, assuming the server does not disconnect the link as recommended above.

If a higher layer determines the bond no longer exists on the server, the client shall trigger a user interaction to confirm the remote device and then re-bond, perform service discovery, and reconfigure the server. If the client had previously determined that the server did not have the «Service Changed» characteristic, or the client determines by reading the «Database Hash» characteristic that the database has not changed, then service discovery may be skipped.

The receiving device shall protect against a replay attack by comparing the received SignCounter with previously received SignCounter from the same peer device. If the SignCounter was previously used then the receiving device shall ignore the Data PDU.

10.5 AUTHORIZATION PROCEDURE

A service may require authorization before allowing access. Authorization is a confirmation by the user to continue with the procedure. Authentication does not necessarily provide authorization. Authorization may be granted by user confirmation after successful authentication.

10.6 ENCRYPTION PROCEDURE

A Central may encrypt a connection using the Encryption Session Setup as defined in [\[Vol 3\] Part H, Section 2.4.4](#) to provide integrity and confidentiality.

A Peripheral may encrypt a connection using the Peripheral Initiated Security Request as defined in [\[Vol 3\] Part H, Section 2.4.6](#) to provide integrity and confidentiality.

If the encryption procedure fails and either the Central or Peripheral used a Resolvable Private Address for the connection establishment, then the current Resolvable Private Address(es) shall be immediately discarded and new Resolvable Private Address(es) shall be generated.



10.7 PRIVACY FEATURE

The privacy feature provides a level of privacy which makes it more difficult for an attacker to track a device over a period of time. The requirements for a device to support the privacy feature are defined in [Table 10.3](#).

Privacy Requirements	Ref.	Broadcaster	Observer	Peripheral	Central
Privacy feature	10.7	O	O	O	O
Non-resolvable private address generation procedure	10.8.2.1	C.2	C.4	O	O
Resolvable private address generation procedure	10.8.2.2	C.3	C.5	C.1	C.1
Resolvable private address resolution procedure	10.8.2.3	E	O	C.1	C.1
Bondable Mode	9.4.3	E	E	C.1	C.1
Bonding procedure	9.4.4	E	E	C.1	C.1

C.1: Mandatory if privacy feature is supported, otherwise optional

C.2: Mandatory if privacy feature is supported and resolvable private address generation procedure is not supported, otherwise optional

C.3: Mandatory if privacy feature is supported and non-resolvable private address generation procedure is not supported, otherwise optional

C.4: Mandatory if privacy feature and active scanning are supported and resolvable private address generation procedure is not supported, otherwise optional

C.5: Mandatory if privacy feature and active scanning are supported and non-resolvable private address generation procedure is not supported, otherwise optional

Table 10.3: Requirements related to privacy feature

Two modes of privacy exist:

- **Device Privacy Mode:** When a device is in device privacy mode, it is only concerned about its own privacy. It should accept advertising packets from peer devices that contain their Identity Addresses as well as their private address, even if the peer device has distributed its IRK.
- **Network Privacy Mode.** When a device is in network privacy mode, it shall not accept advertising packets containing the Identity Address of peer devices that have distributed their IRK.

Note: If the Resolvable Private Address Only characteristic is not present in the GAP service of the remote device then it may use its Identity Address over the air.

A device may use different modes for different peers.

If a device, i.e. Host and Controller, claims support for the privacy feature, the requirements in this section shall be met.



A device may support either just Host-based privacy or both Host-based and Controller-based privacy. When a device supports Controller-based privacy, the Host configures the Controller to perform some of the privacy functionality

If a device supports Controller-based privacy, the requirements in the following paragraphs shall be met.

- The Host may maintain a resolving list by adding and removing device identities. A device identity consists of the peer's Identity Address and a local and peer's IRK pair. The local or peer's IRK shall be an all-zero key if not applicable for the particular device identity.
- If a peer device provides an all-zero Identity Address during pairing, the Host shall choose a unique identifier to substitute the peer's device Identity Address. The Host shall ensure that all identities provided to the Controller are unique.
- When address resolution is enabled in the Controller, all references to peer devices that are included in the resolving list from Host to the Controller shall be done using the peer's device Identity Address. Likewise, all incoming events from the Controller to the Host will use the peer's device identity, if the peer's device address has been resolved.
- If the Host wants to be in device privacy mode, it shall so instruct the Controller for each peer in the resolving list.

10.7.1 Privacy feature in a Peripheral

The privacy-enabled Peripheral shall use a resolvable private address as the advertiser's device address when in connectable mode.

A Peripheral shall use non-resolvable or resolvable private addresses when in non-connectable mode as defined in [Section 9.3.2](#).

If a privacy-enabled Peripheral, that has a stored bond, receives a resolvable private address, the Host may resolve the resolvable private address by performing the 'resolvable private address resolution procedure' as defined in [Section 10.8.2.3](#). If the resolution is successful, the Host may accept the connection. If the resolution procedure fails, then the Host shall either accept the connection from the new, unresolved device, disconnect with the error code "Authentication failure", or perform the pairing procedure, or perform the authentication procedure as defined in [Section 10.3](#). Accepting the connection from the new, unresolved device, can result in exposing the device name or unique data to the Central.

The device should not send the device name or unique data in the advertising data that can be used to recognize the device.



10.7.1.1 Privacy feature in a Peripheral with Controller-based privacy

A privacy-enabled Peripheral shall use either the undirected connectable mode as defined in [Section 9.3.4](#) or directed connectable mode as defined in [Section 9.3.3](#). The directed connectable mode shall only be used if the peer device supports Address Resolution in the Controller.

The Host shall enable resolvable private address generation by enabling it in the Controller and populating the resolving list.

By default, network privacy mode is used when private addresses are resolved and generated by the Controller.

If the advertising data or the scan response data change regularly then those changes should be synchronized with any changes in private addresses (both local and remote). For this purpose, the Host should either instruct the Controller to synchronize address changes with those data changes or, if the Controller does not support that feature, generate private addresses as described in [Section 10.7.1.2](#) instead of offloading private address generation to the Controller.

10.7.1.2 Privacy feature in a Peripheral with Host-based privacy

A privacy-enabled Peripheral should use the undirected connectable mode as defined in [Section 9.3.2](#), to create a connection.

The Host shall generate a resolvable private address using the 'resolvable private address generation procedure' as defined in [Section 10.8.2.2](#) or non-resolvable private address procedure as defined in [Section 10.8.2.1](#). The Host shall set a timer equal to $T_{GAP}(\text{private_addr_int})$. The Host shall generate a new resolvable private address or non-resolvable private address when the timer $T_{GAP}(\text{private_addr_int})$ expires.

Note: $T_{GAP}(\text{private_addr_int})$ timer need not be run if a Peripheral is not advertising.

10.7.2 Privacy feature in a Central

The privacy-enabled Central shall use a resolvable private address as the initiator's device address.

During active scanning, a privacy enabled Central shall use a non-resolvable or resolvable private address.

If, a privacy-enabled Central, that has a stored bond, receives a resolvable private address, the Host may resolve the resolvable private address by performing the "resolvable private address resolution procedure" as defined in [Section 10.8.2.3](#).



10.7.2.1 Privacy feature in a Central with Controller-based privacy

A privacy-enabled Central with Address Resolution enabled in the Controller can use any of the connection establishment procedures defined in [Section 9.3](#).

By default, network privacy mode is used when private addresses are resolved and generated by the Controller.

10.7.2.2 Privacy feature in a Central with Host-based privacy

A privacy-enabled Central should use the general connection establishment procedure defined in [Section 9.3.6](#) to create a connection.

The Host shall generate a resolvable private address using the 'resolvable private address generation procedure' as defined in [Section 10.8.2.2](#) or non-resolvable private address procedure as defined in [Section 10.8.2.1](#). The Host shall set a timer equal to $T_{GAP}(\text{private_addr_int})$. The Host shall generate a new resolvable private address or non-resolvable private address when the timer $T_{GAP}(\text{private_addr_int})$ expires.

Note: $T_{GAP}(\text{private_addr_int})$ timer need not be run if a Central is not scanning or connected.

10.7.3 Privacy feature in a Broadcaster

A privacy-enabled Broadcaster shall use the Broadcast mode defined in [Section 9.1.1](#). The Broadcaster shall use either a resolvable private address or non-resolvable private address.

If Address Resolution is not supported or disabled in the Controller, the following applies to the Host: The Host shall generate a resolvable private address using the 'resolvable private address generation procedure' as defined in [Section 10.8.2.2](#) or non-resolvable private address procedure as defined in [Section 10.8.2.1](#). The Host shall set a timer to $T_{GAP}(\text{private_addr_int})$. The Host shall generate a new resolvable private address or non-resolvable private address when the timer $T_{GAP}(\text{private_addr_int})$ expires.

Note: $T_{GAP}(\text{private_addr_int})$ timer need not be run if a Broadcaster is not advertising.

The device should not send the device name or unique data in the advertising data which can be used to recognize the device.

10.7.4 Privacy feature in an Observer

A privacy-enabled Observer shall use the Observation procedure defined in [Section 9.1.2](#). During active scanning, a privacy enabled Observer shall use either a resolvable private address or non-resolvable private address.



If Address Resolution is not supported or disabled in the Controller, the following applies to the Host: The Host shall generate a resolvable private address using the 'resolvable private address generation procedure' as defined in [Section 10.8.2.2](#) or non-resolvable private address procedure as defined in [Section 10.8.2.1](#). The Host shall set a timer equal to $T_{\text{GAP}}(\text{private_addr_int})$. The Host shall generate a new resolvable private address or non-resolvable private address when the timer $T_{\text{GAP}}(\text{private_addr_int})$ expires. The value of $T_{\text{GAP}}(\text{private_addr_int})$ shall not be greater than 1 hour.

Note: $T_{\text{GAP}}(\text{private_addr_int})$ timer need not be run if an Observer is not scanning.

10.8 RANDOM DEVICE ADDRESS

For the purposes of this profile, the random device address may be of either of the following two sub-types:

- Static address
- Private address.

The term random device address refers to both static and private address types.

The transmission of a random device address is optional. A device shall accept the reception of a random device address from a remote device.

The private address may be of either of the following two sub-types:

- Non-resolvable private address
- Resolvable private address

A bonded device shall process a resolvable private address as defined in [Section 10.8.2.3](#) or by establishing a connection and then performing the authentication procedure as defined in [Section 10.3](#). A device that generates a resolvable private address for its local address shall always request to distribute its IRK value as defined in [\[Vol 3\] Part H, Section 3.6.4](#) if both sides are bondable, unless keys have been pre-distributed.

After a device has distributed its IRK, it should use resolvable private addresses when establishing a connection with a peer device to which the IRK has been distributed.

10.8.1 Static address

The Host can generate a static address using the procedure described in [\[Vol 6\] Part B, Section 1.3.2.1](#).



10.8.2 Private address

The private address may be of either of the following two sub-types:

- Non-resolvable private address
- Resolvable private address

10.8.2.1 Non-Resolvable Private Address Generation procedure

The Host can generate a non resolvable private address using the procedure described in [\[Vol 6\] Part B, Section 1.3.2.2](#).

10.8.2.2 Resolvable Private Address Generation procedure

The Host can generate a resolvable private address where the Host has its IRK using the procedure described in [\[Vol 6\] Part B, Section 1.3.2.2](#).

10.8.2.3 Resolvable Private Address Resolution procedure

The Host can resolve a resolvable private address where the Host has the peer device's IRK or the local device's IRK, using the procedure described in [\[Vol 6\] Part B, Section 1.3.2.3](#).

10.9 ENCRYPTED BROADCAST ISOCHRONOUS GROUP

A device with a service that requires using an unauthenticated encrypted BIG shall set its security to LE security mode 3 level 2. A device with a service that requires using an authenticated encrypted BIG shall set its security to LE security mode 3 level 3.

When a user initiates a service that includes broadcasting an encrypted BIG, the Host shall provide the Broadcast_Code associated with the encrypted BIG to the Controller.

When a user initiates a service that requires the reception of an encrypted BIS, the device should use the Broadcast_Code for that encrypted BIS. If the device does not have the Broadcast_Code or cannot obtain the Broadcast_Code, it should indicate an appropriate error (e.g., Code Unavailable) to the user.

10.10 ENCRYPTED ADVERTISING DATA PROCEDURE

A Broadcaster may encrypt advertising data using an Encrypted Data data type. The data is encrypted using key material that is known by both devices as defined in Section 1.23.3 of [7].

The key material is exposed using the Encrypted Data Key Material characteristic on the Broadcaster.

Generic Access Profile

The scanning device shall read the Encrypted Data Key Material characteristic on an advertising device to obtain the key material for a device if it wants to interpret the encrypted advertising data being sent.

11 ADVERTISING AND SCAN RESPONSE DATA FORMAT

The format of Advertising, Periodic Advertising, and Scan Response data is shown in Figure 11.1. The data consists of a significant part and a non-significant part. The significant part contains a sequence of AD structures. Each AD structure shall have a Length field of one octet, which contains the Length value and shall not be zero, and a Data field of Length octets. The first octet of the Data field shall contain the AD type field. The content of the remaining Length - 1 octets in the Data field depends on the value of the AD type field and is called the AD data. The non-significant part shall only be present when necessary to fill a fixed-length field and shall contain all-zero octets.

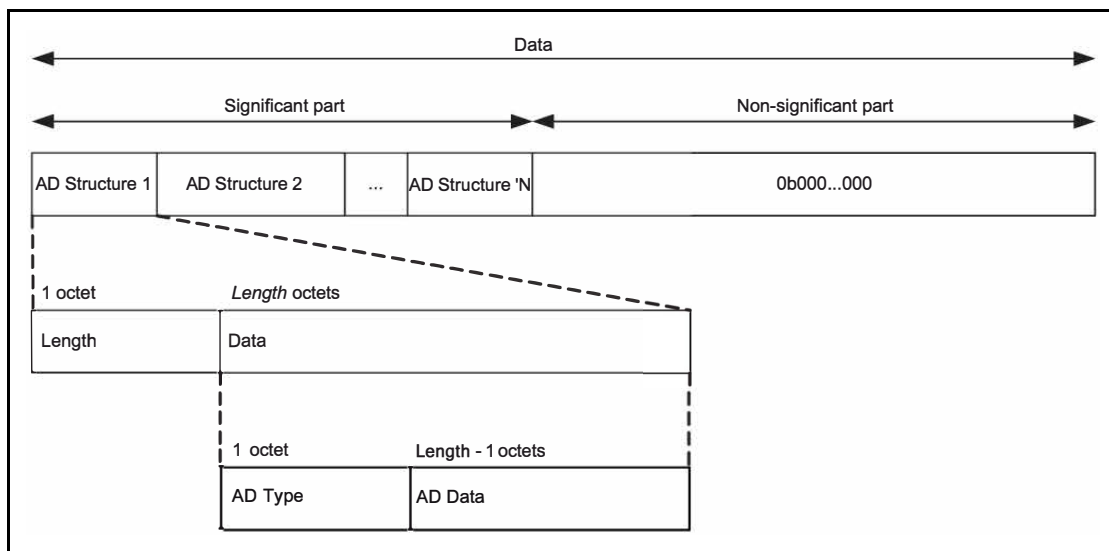


Figure 11.1: Advertising and Scan Response data format

Only the significant part of the data should be sent over the air.

The data is sent in advertising or periodic advertising events. Host Advertising data is placed in the AdvData field of ADV_IND, ADV_NONCONN_IND, ADV_SCAN_IND, AUX_ADV_IND, and AUX_CHAIN_IND PDUs. Additional Controller Advertising Data is placed in the ACAD field of AUX_ADV_IND, AUX_SYNC_IND, and AUX_SCAN_RSP PDUs. Periodic Advertising data is placed in the AdvData field of AUX_SYNC_IND, AUX_SYNC_SUBEVENT_IND, AUX_SYNC_SUBEVENT_RSP, and AUX_CHAIN_IND PDUs. Scan Response data is sent in the ScanRspData field of SCAN_RSP PDUs or the AdvData field of AUX_SCAN_RSP PDUs. If the complete data cannot fit in the AdvData field of an AUX_ADV_IND, AUX_SYNC_IND, or AUX_SCAN_RSP PDU, AUX_CHAIN_IND PDUs are used to send the remaining fragments of the data. In this case, an AD Structure may be fragmented over two or more PDUs.



The AD type data formats and meanings are defined in Section 1 of [4]. The AD type identifier values are defined in [Assigned Numbers](#).



12 GAP SERVICE AND CHARACTERISTICS FOR GATT SERVER

The GATT Server shall contain the GAP service as defined in the GAP Service Requirements in [Table 12.1](#). A device shall have only one instance of the GAP service in the GATT Server. The GAP service is a GATT based service with the service UUID as «GAP Service» defined in [Assigned Numbers](#).

	BR/EDR GAP Role	LE Broadcaster	LE Observer	LE Peripheral	LE Central
GAP Service	C.1	E	E	M	M
C.1: Mandatory for BR/EDR/LE type devices, otherwise optional					

Table 12.1: GAP service requirements

The characteristics requirements for the GAP service in each of the GAP roles are shown in [Table 12.2](#).

Characteristics	Ref.	BR/EDR GAP Role	LE Broadcaster	LE Observer	LE Peripheral	LE Central
Device Name	12.1	C.1	E	E	M	M
Appearance	12.2	C.1	E	E	M	M
Peripheral Preferred Connection Parameters	12.3	O	E	E	O	E
Central Address Resolution	12.4	O	E	E	C.3	C.2
Resolvable Private Address Only	12.5	O	E	E	C.3	C.3
Encrypted Data Key Material	12.6	O	E	E	O	E
LE GATT Security Levels	12.7	E	E	E	O	O
C.1: Mandatory for BR/EDR/LE type devices, otherwise optional						
C.2: Mandatory if Link Layer privacy is supported, otherwise excluded						
C.3: Optional if Link Layer privacy is supported, otherwise excluded						

Table 12.2: Requirements related to GAP service characteristics

A device that supports multiple GAP roles contains all the characteristics to meet the requirements for the supported roles. The device shall continue to expose the characteristics when the device is operating in the role in which the characteristics are not valid.



12.1 DEVICE NAME CHARACTERISTIC

The Device Name characteristic shall contain the name of the device as an UTF-8 string as defined in [Section 3.2.2](#). When the device is discoverable, the Device Name characteristic value shall be readable without authentication or authorization. When the device is not discoverable, the Device Name Characteristic should not be readable without authentication or authorization. The Device Name characteristic value may be writable. If writable, authentication and authorization may be defined by a higher layer specification or be implementation specific.

Attribute Handle	Attribute Type	Attribute Value	Attribute Permissions
0xMMMM	0x2A00 – UUID for «Device Name»	Device Name	Readable without authentication or authorization when discoverable. Optionally writable, authentication and authorization may be defined by a higher layer specification or be implementation specific.

Table 12.3: Device Name characteristic

The Device Name characteristic value shall be 0 to 248 octets in length. A device shall have only one instance of the Device Name characteristic.

12.2 APPEARANCE CHARACTERISTIC

The Appearance characteristic defines the representation of the external appearance of the device. This enables the discovering device to represent the device to the user using an icon, or a string, or similar. The Appearance characteristic value shall be readable without authentication or authorization. The Appearance characteristic value may be writable. If writable, authentication and authorization may be defined by a higher layer specification or be implementation specific.

Attribute Handle	Attribute Type	Attribute Value	Attribute Permissions
0xMMMM	0x2A01 – UUID for «Appearance»	Appearance	Readable without authentication or authorization. Optionally writable, authentication and authorization may be defined by a higher layer specification or be implementation specific.

Table 12.4: Appearance characteristic

The Appearance characteristic value shall be the enumerated value as defined in [Assigned Numbers](#). The Appearance characteristic value shall be 2 octets in length. A device shall have only one instance of the Appearance characteristic.



12.3 PERIPHERAL PREFERRED CONNECTION PARAMETERS CHARACTERISTIC

The Peripheral Preferred Connection Parameters (PPCP) characteristic contains the preferred connection parameters of the Peripheral.

The Peripheral Preferred Connection Parameters characteristic value shall be readable. Authentication and authorization may be defined by a higher layer specification or be implementation specific.

The Peripheral Preferred Connection Parameters characteristic value shall not be writable.

Attribute Handle	Attribute Type	Attribute Value	Attribute Permissions
0xMMMM	0x2A04 – UUID for «Peripheral Preferred Connection Parameters»	Peripheral Preferred Connection Parameters	Readable, authentication and authorization may be defined by a higher layer specification or be implementation specific Not writable

Table 12.5: Peripheral Preferred Connection Parameters characteristic

The Peripheral Preferred Connection Parameters characteristic value shall be 8 octets in length. A device shall have only one instance of the Peripheral Preferred Connection Parameters characteristic. The format of the value is specified in Table 12.6.

Name	Size (Octet)
Interval_Min	2
Interval_Max	2
Latency	2
Timeout	2

Table 12.6: Format of the Peripheral Preferred Connection Parameters data

Each field shall have the same meaning and requirements as the field of the LL_CONNECTION_PARAM_REQ PDU (see [Vol 6] Part B, Section 2.4.2.16) with the same name, or shall contain the value 0xFFFF which indicates that no specific value is requested.

12.4 CENTRAL ADDRESS RESOLUTION CHARACTERISTIC

The Peripheral should check if the peer device supports address resolution by reading the Central Address Resolution characteristic before using directed



advertisement where the target address is set to a Resolvable Private Address (RPA).

The Central Address Resolution characteristic defines whether the device supports privacy with address resolution. See [Table 12.7](#).

Attribute Handle	Attribute Type	Attribute Value	Attribute Permissions
0xMMMM	0x2AA6 - UUID of «Central Address Resolution»	Central Address Resolution Support	Readable without authentication or authorization. Not writable.

Table 12.7: Central Address Resolution characteristic

The Central Address Resolution characteristic value shall be 1 octet in length:

- 0 = address resolution is not supported in this device
- 1 = address resolution is supported in this device

All other values are reserved for future use.

A device shall have only one instance of the Central Address Resolution characteristic. If the Central Address Resolution characteristic is not present, then it shall be assumed that Central Address Resolution is not supported.

12.5 RESOLVABLE PRIVATE ADDRESS ONLY CHARACTERISTIC

The device should check if the peer will only use Resolvable Private Addresses (RPAs) after bonding by reading the Resolvable Private Address Only characteristic, in order to determine if it will satisfy its privacy mode as defined in [Section 10.7](#).

The Resolvable Private Address Only characteristic defines whether the device will only use Resolvable Private Addresses (RPAs) as local addresses. See [Table 12.8](#).

Attribute Handle	Attribute Type	Attribute Value	Attribute Permissions
0xMMMM	0x2AC9 - UUID of «Resolvable Private Address Only»	Resolvable Private Address Only	Readable without authentication or authorization. Not writable.

Table 12.8: Resolvable Private Address Only characteristic



The Resolvable Private Address Only characteristic value shall be 1 octet in length:

0 = only Resolvable Private Addresses will be used as local addresses after bonding

All other values are reserved for future use.

A device shall have only one instance of the Resolvable Private Address Only characteristic. If the Resolvable Private Address Only characteristic is not present, then it cannot be assumed that only Resolvable Private Addresses will be used over the air.

12.6 ENCRYPTED DATA KEY MATERIAL

The Encrypted Data Key Material characteristic allows advertising data associated with the GAP service to be decrypted and authenticated using the key material. The Encrypted Data Key characteristic value shall not be writable. The Encrypted Data Key Material characteristic shall only be readable when authenticated and authorized. When read, the key material is stored on the local device. The key material may be discarded at any time on a local device.

The Encrypted Data Key Material characteristic may support indications. When authenticated and authorized, if the Encrypted Data Key characteristic value changes and the client has configured the characteristic for indications, then the characteristic shall be indicated by the server to the client.

The Encrypted Data Key Material characteristic can be used by other services to allow those services to expose separate key material for encrypted advertising data used by those services.

Attribute Handle	Attribute Type	Attribute Value	Attribute Permissions
0xMMMM	0x2B88 - UUID for «Encrypted Data Key Material»	Key Material	Readable when authenticated and authorized. Indicatable when authenticated and authorized. Not writable.

Table 12.9: Encrypted Data Key Material characteristic

The Key Material is composed of a 128-bit value that is used as the session key and a 64-bit value that is used as the IV for encrypting and authenticating



the Encrypted Data as defined in Section 1.23.3 of [4], as shown in Table 12.10. The server should update the Key Material periodically.

Field	Size (octets)	Description
Session Key	16	The shared session key.
IV	8	The initialization vector.

Table 12.10: Key Material format

12.7 LE GATT SECURITY LEVELS CHARACTERISTIC

This section specifies the LE GATT Security Levels characteristic.

The LE GATT Security Levels characteristic shall contain the highest security requirements of the GATT server when operating on a LE connection. The value of the LE GATT Security Levels characteristic shall be static during a connection.

The format of the LE GATT Security Levels characteristic is given in Table 12.11.

Attribute Handle	Attribute Type	Attribute Value	Attribute Permissions
0xMMMM	0x2BF5 - UUID for «LE GATT Security Levels»	Sequence of one or more Security Level Requirements	Read Only, No Encryption required, No Authentication, No Authorization

Table 12.11: LE GATT Security Levels characteristic

The Attribute Value is a sequence of Security Level Requirements, each with the type uint8[2]. Each Security Level Requirement consists of a Security Mode field followed by a Security Level field. The Security Mode and Security Level shall be expressed as the same number as used in their definitions; e.g., mode 1 is represented as 0x01 and level 4 is represented as 0x04.

Meeting any one of the security requirements provided for a given mode shall be sufficient for the GATT server to allow the GATT client to use all the GATT procedures permitted by the characteristic properties for all characteristics on the server operating in that mode. If any one of the security requirements specified in the LE GATT Security Levels characteristic is met, no GATT procedure will fail for a security-related reason (such as insufficient authentication). For example, the attribute value 0x01 0x04 for the LE GATT Security Levels characteristic means that the GATT server requires level 4 when operating in security mode 1 on a LE connection.

Note: The Security Level value is not a minimum; specifying (say) level 2 for a mode does not mean that level 3, level 4, or even level 87 would suffice



instead. However, in many cases a given security level satisfies the security requirements of other levels as well. For example, LE security mode 1 levels 3 and 4, by definition, both satisfy the requirements for mode 1 level 2 and so could be used with a GATT server that requires mode 1 level 2.

The security modes and levels for LE are defined in [Section 10](#).

A device shall have at most one instance of a LE GATT Security Levels characteristic.



13 BR/EDR/LE OPERATION

This section describes the requirements for devices that support the BR/EDR/LE device type. The device may support any LE GAP roles allowed by the Controller over the LE physical channel.

Feature	Ref.	Broadcaster	Observer	Peripheral	Central
BR/EDR/LE modes and procedures	13.1 and 13.2	0	0	0	0

Table 13.1: Requirements for the modes of a BR/EDR/LE device type

A BR/EDR/LE device type that supports the Broadcaster role shall meet the requirements for the Broadcaster role as defined in Section 9.

A BR/EDR/LE device type that supports the Observer role shall meet the requirements for the Observer role as defined in Section 9.

A BR/EDR/LE device type that supports the Peripheral role shall meet the requirements for the Peripheral role as defined in Section 9.

A BR/EDR/LE device type that supports the Central role shall meet the requirements for the Central role as defined in Section 9.

13.1 MODES, PROCEDURES, AND SECURITY ASPECTS

All modes, procedures and security aspects shall follow the requirements as specified for the physical transport over which they operate. Sections 4, 5, 6 and 7 specify the requirements for the modes, procedures and security aspects for operations performed over the BR/EDR physical transport. Sections 9 and 9.6 specify the requirements for the modes, procedures and security aspects performed over the LE physical transport. It is optional to support both physical transports simultaneously to the same remote device.

13.1.1 Discoverable mode requirements

A device shall expose the capabilities of both physical transports for both Limited and General Discoverable Mode using the advertisement Flag AD Type as follows:

- a) The 'BR/EDR Not Supported' bit in the Flags AD type shall be set to 0 as defined in Section 1.3 of [4].
- b) The 'Simultaneous LE and BR/EDR to Same Device Capable (Controller)' bit in the Flags AD type shall be set to 0.

The 'LE Supported (Controller)' and 'LE Supported (Host)' bits in the LMP features shall be set as defined in [Vol 2] Part C, Section 3.2.



13.2 BONDING FOR BR/EDR/LE DEVICE TYPE

The requirements for a device supporting BR/EDR/LE device type are shown in [Table 13.2](#).

Bonding Requirement	Ref.	Peripheral	Central
Bonding	6.5 / 9.4.4	O	O

Table 13.2: Requirements for the bonding of a BR/EDR/LE device type

If the remote device supports the BR/EDR physical transport, the bonding procedures for the BR/EDR physical transport as defined in [Section 6.5](#) shall be used.

If the remote device supports the LE physical transport, the bonding procedures for the LE physical transport as defined in [Section 9.4.4](#) shall be used.

13.3 RELATIONSHIP BETWEEN PHYSICAL TRANSPORTS

To determine if both the BR/EDR physical transport and the LE physical transport are established to the same peer device, the device shall use either the public address used on the LE advertising physical channel or the public address from the BD_ADDR field contained in the SMP Identity Address Information packet ([\[Vol 3\] Part H, Section 3.6.5](#)) if it has been received.



14 BR/EDR/LE SECURITY ASPECTS

The requirements for a device supporting BR/EDR/LE device type are shown in [Table 14.1](#).

Security aspects	Ref.	Peripheral	Central
Security aspects	14	M	M

Table 14.1: Requirements for the security aspects of a BR/EDR/LE device type

If the remote device supports the BR/EDR physical transport the security procedures for the BR/EDR physical transport as defined in [Section 5](#) shall be used.

If the remote device supports the LE physical transport the security procedures for the LE physical transport as defined in [Section 9.6](#) shall be used.

If the LE transport in a BR/EDR/LE device supports Secure Connections, the security procedures in [Section 14.1](#) may also be used.

14.1 CROSS-TRANSPORT KEY DERIVATION

If both the local and remote devices support Secure Connections over the BR/EDR and LE transports, devices may optionally generate keys of identical strength and the same MITM protection for both transports as part of a single pairing procedure (see [\[Vol 3\] Part H, Section 2.3.5.7](#)).

If both the local and remote devices support Secure Connections over the LE transport but not over the BR/EDR transport, then the devices may optionally generate the BR/EDR keys of identical strength and the same MITM protection as the LE keys as part of the LE pairing procedure (see [\[Vol 3\] Part H, Section 2.3.5.7](#)).

If an LE LTK already exists and the BR/EDR link key is weaker in either strength or MITM protection, then neither device shall generate an LE LTK using cross-transport key derivation from a BR/EDR link key. If either device receives a request to generate an LE LTK using cross-transport key derivation, it shall respond with a Pairing Failed message with reason "Cross-transport Key Derivation/Generation not allowed".

If the BR/EDR link key has been generated by a Controller that does not perform remote public key validation (see [\[Vol 2\] Part H, Section 7.6](#)), then neither device should generate an LE LTK using cross-transport key derivation from a BR/EDR link key. If either device receives a request to generate an LE LTK using cross-transport key derivation, it should respond with a Pairing Failed message with reason "Cross-transport Key Derivation/Generation not allowed".



If a BR/EDR link key already exists and the LE LTK is weaker in either strength or MITM protection, then neither device shall generate a BR/EDR link key using cross-transport key derivation from the LE LTK. If both devices request cross-transport key derivation during pairing, then each device shall either silently skip deriving the BR/EDR link key or stop the pairing procedure by sending a Pairing Failed message with reason "Cross-transport Key Derivation/Generation not allowed".

Note: The Host can use the `HCI_Read_Local_Simple_Pairing_Options` command (see [Vol 4] Part E, Section 7.4.9) or vendor-specific methods to determine whether the Controller performs remote public key validation.

If the LE LTK has been generated using the `HCI_LE_Generate_DHKey` command (see [Vol 4] Part E, Section 7.8.37) by a Controller that does not perform remote public key validation (see [Vol 3] Part H, Section 2.3.5.6.1), then the BR/EDR link key should not be generated from such an LE LTK using cross-transport key derivation.

Note: The Host can use the Remote Public Key Validation feature bit (see [Vol 6] Part B, Section 4.6) or vendor-specific methods to determine whether the `HCI_LE_Generate_DHKey` command performs the remote public key validation.

14.2 COLLISION HANDLING

If pairing has been initiated by the local device on the BR/EDR transport, and a pairing request is received from the same remote device on the LE transport, the LE pairing shall be rejected with SMP error code *BR/EDR Pairing in Progress* (0x0D) if both sides support LE Secure Connections.

If a BR/EDR/LE device supports LE Secure Connections, then it shall initiate pairing on only one transport at a time to the same remote device.

14.3 SECURE CONNECTIONS ONLY MODE

If a BR/EDR/LE device is in Secure Connections Only Mode, then this mode applies to both transports and the requirements in both Section 5.2.2 and Section 10.2.4 shall apply.



15 BLUETOOTH DEVICE REQUIREMENTS

15.1 BLUETOOTH DEVICE ADDRESS

All Bluetooth devices shall have a Bluetooth Device Address (BD_ADDR) that uniquely identifies the device to another Bluetooth device. The specific Bluetooth Device Address requirements depend on the type of Bluetooth device.

15.1.1 Bluetooth Device Address types

15.1.1.1 Public Bluetooth address

A Bluetooth public address used as the BD_ADDR for the BR/EDR physical channel is defined in [Vol 2] Part B, Section 1.2. A Bluetooth public address used as the BD_ADDR for the LE physical channel is defined in [Vol 6] Part B, Section 1.3.

15.1.1.2 Random Bluetooth address

A random device address used as the BD_ADDR on the LE physical channel is defined in Section 10.8.

15.2 GATT PROFILE REQUIREMENTS

The requirements for supporting a GATT Client or GATT Server are specified in Table 15.1.

	BR/EDR GAP Role	LE Broadcaster	LE Observer	LE Peripheral	LE Central
GATT Client	O	E	E	O	O
GATT Server	C.1	E	E	M	M

C.1: Mandatory if the GATT Profile is supported on the BR/EDR physical transport; otherwise excluded

Table 15.1: Requirements based on GAP roles supported



15.3 SDP REQUIREMENTS

The requirements for supporting an SDP Client or SDP Server are specified in [Table 15.2](#). There shall be no more than one active SDP Server per device.

	BR/EDR and BR/EDR/LE Device Type	LE-Only Device Type
SDP Client	C.1	E
SDP Server	C.2	E

C.1: Optional if SDP Server is supported, otherwise mandatory.
 C.2: Mandatory to support if GATT Server is supported, otherwise optional.

Table 15.2: Requirements based on GAP roles supported

15.4 SDP SERVICE RECORD REQUIREMENT

A BR/EDR or BR/EDR/LE device that supports a GATT Server accessible over the BR/EDR physical transport and that supports only one of ATT or EATT shall publish the SDP record shown below in [Table 15.3](#); if both ATT and EATT are supported, the device shall publish the SDP record shown below in [Table 15.4](#). The GAP Service Start Handle shall be set to the attribute handle of the «GAP Service» service declaration. The GAP Service End Handle shall be set to the attribute handle of the last attribute within the «GAP Service» service definition group.

Item	Type	Value	Meaning
Attribute ID	uint16	0x0001	ServiceClassIDList
Attribute Value	Data element sequence (1 item)		
Service Class	UUID	«GAP Service»	
Attribute ID	uint16	0x0004	ProtocolDescriptorList
Attribute Value	Data element sequence (2 items)		
Protocol Descriptor	Data element sequence (2 items)		
Protocol	UUID	«L2CAP»	
Parameter 0	uint16	0x001F or 0x0027	PSM = ATT or PSM = EATT
Protocol Descriptor	Data element sequence (3 items)		
Protocol	UUID	«ATT»	
Parameter 0	uint16	0xHHHH	GAP service start handle
Parameter 1	uint16	0xHHHH	GAP service end handle

Table 15.3: SDP record for the Generic Access Profile, if only one of ATT or EATT is supported



Item	Type	Value	Meaning
Attribute ID	uint16	0x0005	BrowseGroupList
Attribute Value	Data element sequence (1 item)		
Group	UUID	«PublicBrowseRoot»	

Table 15.3: SDP record for the Generic Access Profile, if only one of ATT or EATT is supported

Item	Type	Value	Meaning
Attribute ID	uint16	0x0001	ServiceClassIDList
Attribute Value	Data element sequence (1 item)		
Service class	UUID	«GAP Service»	
Attribute ID	uint16	0x0004	ProtocolDescriptorList
Attribute Value	Data element sequence (2 items)		
Protocol Descriptor	Data element sequence (2 items)		
Protocol	UUID	«L2CAP»	
Parameter 0	uint16	0x001F	PSM = ATT
Protocol Descriptor	Data element sequence (3 items)		
Protocol	UUID	«ATT»	
Parameter 0	uint16	0xHHHH	GAP service start handle
Parameter 1	uint16	0xHHHH	GAP service end handle
Attribute ID	uint16	0x000D	AdditionalProtocolDescriptorList
Attribute Value	Data element sequence (1 item)		
Protocol Descriptor List	Data element sequence (2 items)		
Protocol Descriptor	Data element sequence (2 items)		
Protocol	UUID	«L2CAP»	
Parameter 0	uint16	0x0027	PSM = EATT
Protocol Descriptor	Data element sequence (3 items)		
Protocol	UUID	«ATT»	
Parameter 0	uint16	0xHHHH	GAP service start handle
Parameter 1	uint16	0xHHHH	GAP service end handle
Attribute ID	uint16	0x0005	BrowseGroupList
Attribute Value	Data element sequence (1 item)		
Group	UUID	«PublicBrowseRoot»	

Table 15.4: SDP record for the Generic Access Profile, if both ATT and EATT are supported

Generic Access Profile

If a BR/EDR or BR/EDR/LE device supports a GATT-based service on the BR/EDR transport, the service shall exist in the SDP Server and the GATT Server.



16 DEFINITIONS

In the following, terms written with capital letters refer to states.

Most definitions in this section are BR/EDR specific.

16.1 GENERAL DEFINITIONS

Mode: A set of directives that defines how a device will respond to certain events.

Idle: As seen from a remote device, a Bluetooth device is idle, or is in idle mode, when there is no link established between them.

Bond: A relation between two Bluetooth devices defined by creating, exchanging and storing a common link key. The bond is created through the bonding or LMP-pairing procedures.

16.2 CONNECTION-RELATED DEFINITIONS

Physical channel: A synchronized Bluetooth Baseband-compliant RF hopping sequence.

Piconet: A set of Bluetooth devices sharing the same physical channel defined by the Central's parameters (clock and BD_ADDR).

Physical link: A Baseband-level connection¹ between two devices established using paging. A physical link comprises a sequence of transmission slots on a physical channel alternating between Central and Peripheral transmission slots.

ACL link: An asynchronous (packet-switched) connection¹ between two devices created on LMP level. Traffic on an ACL link uses ACL packets to be transmitted.

SCO link: A synchronous (circuit-switched) connection¹ for reserved bandwidth communications; e.g. voice between two devices, created on the LMP level by reserving slots periodically on a physical channel. Traffic on a SCO link uses SCO packets to be transmitted. SCO links can be established only after an ACL link has first been established.

Link: Shorthand for an ACL link.

PAGE: A Baseband state where a device transmits page trains, and processes any eventual responses to the page trains.

1. The term 'connection' used here is not identical to the definition below. It is used in the absence of a more concise term.



PAGE_SCAN: A Baseband state where a device listens for page trains.

Page: The transmission by a device of page trains containing the Device Access Code of the device to which the physical link is requested.

Page scan: The listening by a device for page trains containing its own Device Access Code.

Channel: A logical connection on L2CAP level between two devices serving a single application or higher layer protocol.

Connection: A connection between two peer applications or higher layer protocols mapped onto a channel.

Connecting: A phase in the communication between devices when a connection between them is being established. (Connecting phase follows after the link establishment phase is completed.)

Connect (to service): The establishment of a connection to a service. If not already done, this includes establishment of a physical link, link and channel as well.

16.3 DEVICE-RELATED DEFINITIONS

Discoverable device: A Bluetooth device in range that will respond to an inquiry (normally in addition to responding to page).

Silent device: A Bluetooth device appears as silent to a remote device if it does not respond to inquiries made by the remote device. A device may be silent due to being non-discoverable or due to baseband congestion while being discoverable.

Connectable device: Bluetooth device in range that will respond to a page.

Trusted device: A paired device that is explicitly marked as trusted.

Paired device: A Bluetooth device with which a link key has been exchanged (either before connection establishment was requested or during connecting phase).

Pre-paired device: A Bluetooth device with which a link key was exchanged, and the link key is stored, before link establishment.

Un-paired device: A Bluetooth device for which there was no exchanged link key available before connection establishment was requested.

Known device: A Bluetooth device for which at least the BD_ADDR is stored.

Un-known device: Bluetooth device for which no information (BD_ADDR, link key or other) is stored.



Authenticated device: A Bluetooth device whose identity has been verified during the lifetime of the current link, based on the authentication procedure.

16.4 PROCEDURE-RELATED DEFINITIONS

Paging: A procedure for establishing a physical link of ACL type on Baseband level, consisting of a page action of the initiator and a page scan action of the responding device.

Link establishment: A procedure for establishing a link on LMP level. A link is established when both devices have agreed that LMP setup is completed.

Channel establishment: A procedure for establishing a channel on L2CAP level.

Connection establishment: A procedure for creating a connection mapped onto a channel.

Creation of a trusted relationship: A procedure where the remote device is marked as a trusted device. This includes storing a common link key for future authentication and pairing (if the link key is not available).

Creation of a secure connection: A procedure of establishing a connection, including authentication and encryption.

Device discovery: A procedure for retrieving the Bluetooth Device Address, clock, and Class of Device from discoverable devices.

Name discovery: A procedure for retrieving the user-friendly name (the Bluetooth Device Name) of a connectable device.

Service discovery: Procedures for querying and browsing for services offered by or through another Bluetooth device.

16.5 SECURITY-RELATED DEFINITIONS

Authentication: A generic procedure based on LMP-authentication if a link key exists or on LMP-pairing if no link key exists.

LMP-authentication: An LMP level procedure for verifying the identity of a remote device. The procedure is based on a challenge-response mechanism using a random number, a secret key and the BD_ADDR of the non-initiating device. The secret key used can be a previously exchanged link key.

Authorization: A procedure where a user of a Bluetooth device grants a specific (remote) Bluetooth device access to a specific service. Authorization implies that the identity of the remote device can be verified through authentication.



Authorize: The act of granting a specific Bluetooth device access to a specific service. It may be based upon user confirmation, or given the existence of a trusted relationship.

LMP-pairing: A procedure that authenticates two devices, based on a PIN, and subsequently creates a common link key that can be used as a basis for a trusted relationship or a (single) secure connection. The procedure consists of the steps: creation of an initialization key (based on a random number and a PIN), creation and exchange of a common link key and LMP-authentication based on the common link key.

Bonding: A dedicated procedure for performing the first authentication, where a common link key is created and stored for future use.

Trusting: The marking of a paired device as trusted. Trust marking can be done by the user, or automatically by the device (e.g. when in bondable mode) after a successful pairing.



17 REFERENCES

- [1] RFCOMM
- [2] Telephony Control Specification
- [3] Assigned Numbers Specification:
<https://www.bluetooth.com/specifications/assigned-numbers>
- [4] Core Specification Supplement, Part A, Data Types Specification
- [5] Core Specification Supplement, Part C, Services Permitted to use Security Mode 4 Level 0



APPENDIX A TIMERS AND CONSTANTS

The following timers are required by this profile.

Timer name	Value	Description	Requirement or Recommendation
T _{GAP} (100)	10.24 s	Time span that a Bluetooth device performs device discovery	Recommended value
T _{GAP} (101)	10.625 ms	A discoverable Bluetooth device enters INQUIRY_SCAN for at least T _{GAP} (101) every T _{GAP} (102)	Required value
T _{GAP} (102)	2.56 s	Maximum time between repeated INQUIRY_SCAN enterings when power consumption or bandwidth is more important than discovery speed	Recommended value
T _{GAP} (103)	30.72 s	Minimum time span that a device is in discoverable mode	Required value
T _{GAP} (104)	1 min	Maximum time span that a device is in limited discoverable mode	Recommended value
T _{GAP} (105)	100 ms	Maximum time between INQUIRY_SCAN enterings when discovery speed is more important than power consumption or bandwidth	Recommended value
T _{GAP} (106)	100 ms	Maximum time between PAGE_SCAN enterings when connection speed is more important than power consumption or bandwidth	Recommended value
T _{GAP} (107)	1.28 s	Maximum time between PAGE_SCAN enterings (R1 page scan) when power consumption or bandwidth is more important than connection speed	Recommended value

Table A.1: Defined GAP timers (Sheet 1 of 6)



Timer name	Value	Description	Requirement or Recommendation
T _{GAP} (108)	2.56 s	Maximum time between PAGE_SCAN enterings (R2 page scan) when power consumption or bandwidth is more important than connection speed	Recommended value
T _{GAP} (adv_fast_interval1_coded)	90 ms to 180 ms	Minimum to maximum advertising interval in the following GAP Modes on the LE Coded PHY when user initiated: <ol style="list-style-type: none"> 1. Undirected Connectable Mode 2. Limited Discoverable Mode and sending connectable undirected advertising events 3. General Discoverable Mode and sending connectable undirected advertising events 4. Directed Connectable Mode and sending low duty cycle connectable directed advertising events 	Recommended value
T _{GAP} (adv_fast_interval1)	30 ms to 60 ms	Minimum to maximum advertising interval in the following GAP Modes on the LE 1M PHY when user initiated: <ol style="list-style-type: none"> 1. Undirected Connectable Mode 2. Limited Discoverable Mode and sending connectable undirected advertising events 3. General Discoverable Mode and sending connectable undirected advertising events 4. Directed Connectable Mode and sending low duty cycle directed advertising events 	Recommended value

Table A.1: Defined GAP timers (Sheet 2 of 6)



Timer name	Value	Description	Requirement or Recommendation
T _{GAP} (adv_fast_interval2_coded)	300 ms to 450 ms	Minimum to maximum advertising interval in the following GAP Modes on the LE Coded PHY when user initiated and sending non-connectable advertising events: <ol style="list-style-type: none"> 1. Non-Discoverable Mode 2. Non-Connectable Mode 3. Limited Discoverable Mode 4. General Discoverable Mode 	Recommended value
T _{GAP} (adv_fast_interval2)	100 ms to 150 ms	Minimum to maximum advertising interval in the following GAP Modes on the LE 1M PHY when user initiated and sending non-connectable advertising events: <ol style="list-style-type: none"> 1. Non-Discoverable Mode 2. Non-Connectable Mode 3. Limited Discoverable Mode 4. General Discoverable Mode 	Recommended value
T _{GAP} (adv_fast_period)	30 s	Minimum time to perform advertising when user initiated	Recommended value
T _{GAP} (adv_slow_interval_coded)	3 s to 3.6 s	Minimum to maximum advertisement interval in any discoverable or connectable mode when background advertising on the LE Coded PHY	Recommended value
T _{GAP} (adv_slow_interval)	1 s to 1.2 s	Minimum to maximum advertisement interval in any discoverable or connectable mode when background advertising on the LE 1M PHY	Recommended value

Table A.1: Defined GAP timers (Sheet 3 of 6)



Timer name	Value	Description	Requirement or Recommendation
T _{GAP} (conn_param_timeout)	30 s	Connection parameter update notification timer when performing the connection parameter update procedure	Recommended value
T _{GAP} (conn_pause_central)	1 s	Central idle timer	Recommended value
T _{GAP} (conn_pause_peripheral)	5 s	Minimum time upon connection establishment before the Peripheral starts a connection update procedure	Recommended value
T _{GAP} (gen_disc_scan_min_coded)	30.72 s	Minimum time to perform scanning when performing the general discovery procedure on the LE Coded PHY	Recommended value
T _{GAP} (gen_disc_scan_min)	10.24 s	Minimum time to perform scanning when performing the general discovery procedure on the LE 1M PHY	Recommended value
T _{GAP} (initial_conn_interval_coded)	90 ms to 150 ms	Minimum to maximum connection interval upon any connection establishment on the LE Coded PHY	Recommended value
T _{GAP} (initial_conn_interval)	30 ms to 50 ms	Minimum to maximum connection interval upon any connection establishment on the LE 1M PHY	Recommended value
T _{GAP} (lim_adv_timeout)	180 s	Maximum time to remain advertising when in the limited discoverable mode	Required value
T _{GAP} (lim_disc_scan_int_coded)	33.75 ms	Scan interval used in the limited discovery procedure on the LE Coded PHY	Recommended value
T _{GAP} (lim_disc_scan_int)	11.25 ms	Scan interval used in the limited discovery procedure on the LE 1M PHY	Recommended value
T _{GAP} (lim_disc_scan_min_coded)	30.72 s	Minimum time to perform scanning when performing the limited discovery procedure on the LE Coded PHY	Recommended value

Table A.1: Defined GAP timers (Sheet 4 of 6)



Timer name	Value	Description	Requirement or Recommendation
T _{GAP} (lim_disc_scan_min)	10.24 s	Minimum time to perform scanning when performing the limited discovery procedure on the LE 1M PHY	Recommended value
T _{GAP} (private_addr_int)	15 min	Maximum time interval between private address change	Recommended value
T _{GAP} (scan_fast_interval_coded)	90 ms to 180 ms	Scan interval in any discovery or connection establishment procedure when user initiated on the LE Coded PHY	Recommended value
T _{GAP} (scan_fast_interval)	30 ms to 60 ms	Scan interval in any discovery or connection establishment procedure when user initiated on the LE 1M PHY	Recommended value
T _{GAP} (scan_fast_period)	30.72 s	Minimum time to perform scanning when user initiated	Recommended value
T _{GAP} (scan_fast_window_coded)	90 ms	Scan window in any discovery or connection establishment procedure when user initiated on the LE Coded PHY	Recommended value
T _{GAP} (scan_fast_window)	30 ms	Scan window in any discovery or connection establishment procedure when user initiated on the LE 1M PHY	Recommended value
T _{GAP} (scan_slow_interval1_coded)	3.84 s	Scan interval in any discovery or connection establishment procedure when background scanning on the LE Coded PHY	Recommended value
T _{GAP} (scan_slow_interval1)	1.28 s	Scan interval in any discovery or connection establishment procedure when background scanning on the LE 1M PHY	Recommended value
T _{GAP} (scan_slow_interval2_coded)	7.68 s	Scan interval in any discovery or connection establishment procedure when background scanning on the LE Coded PHY	Recommended value

Table A.1: Defined GAP timers (Sheet 5 of 6)



Timer name	Value	Description	Requirement or Recommendation
T _{GAP} (scan_slow_interval2)	2.56 s	Scan interval in any discovery or connection establishment procedure when background scanning on the LE 1M PHY	Recommended value
T _{GAP} (scan_slow_window1_coded)	33.75 ms	Scan window in any discovery or connection establishment procedure when background scanning on the LE Coded PHY	Recommended value
T _{GAP} (scan_slow_window1)	11.25 ms	Scan window in any discovery or connection establishment procedure when background scanning on the LE 1M PHY	Recommended value
T _{GAP} (scan_slow_window2_coded)	67.5 ms	Scan window in any discovery or connection establishment procedure when background scanning on the LE Coded PHY	Recommended value
T _{GAP} (scan_slow_window2)	22.5 ms	Scan window in any discovery or connection establishment procedure when background scanning on the LE 1M PHY	Recommended value
T _{GAP} (Sync_Scan_Interval)	320 ms	Interval between the start of adjacent synchronization scan windows	Recommended value
T _{GAP} (Sync_Scan_Window)	91.25 ms	Duration of Synchronization scan window	Recommended value
T _{GAP} (Sync_Train_Duration)	30.72 s	Duration of synchronizability mode	Required value
T _{GAP} (Sync_Train_Interval)	80 ms	Interval between Synchronization Train events	Recommended value

Table A.1: Defined GAP timers (Sheet 6 of 6)



APPENDIX B INFORMATION FLOWS OF RELATED PROCEDURES

B.1 LMP – AUTHENTICATION

The specification of authentication on link level is found in [2].

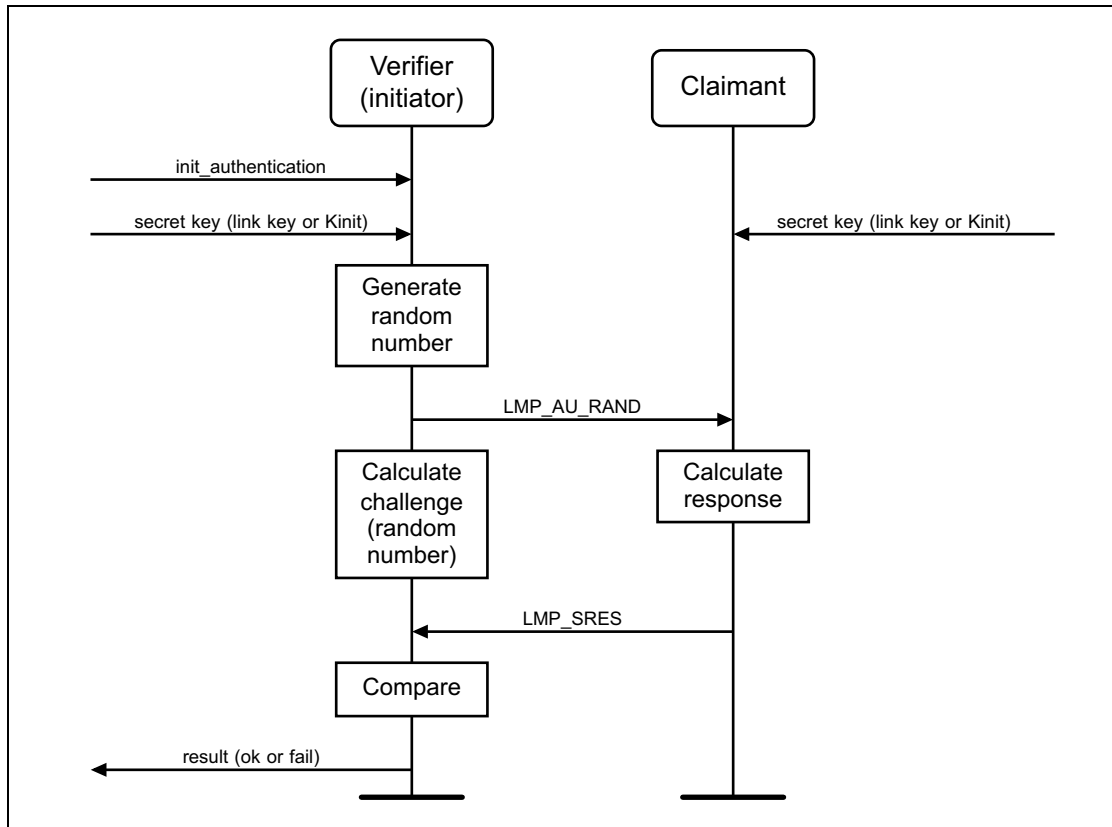


Figure B.1: LMP-authentication as defined by [2]

The secret key used here is an already exchanged link key.



B.2 LMP – PAIRING

The specification of pairing on link level is found in [2].

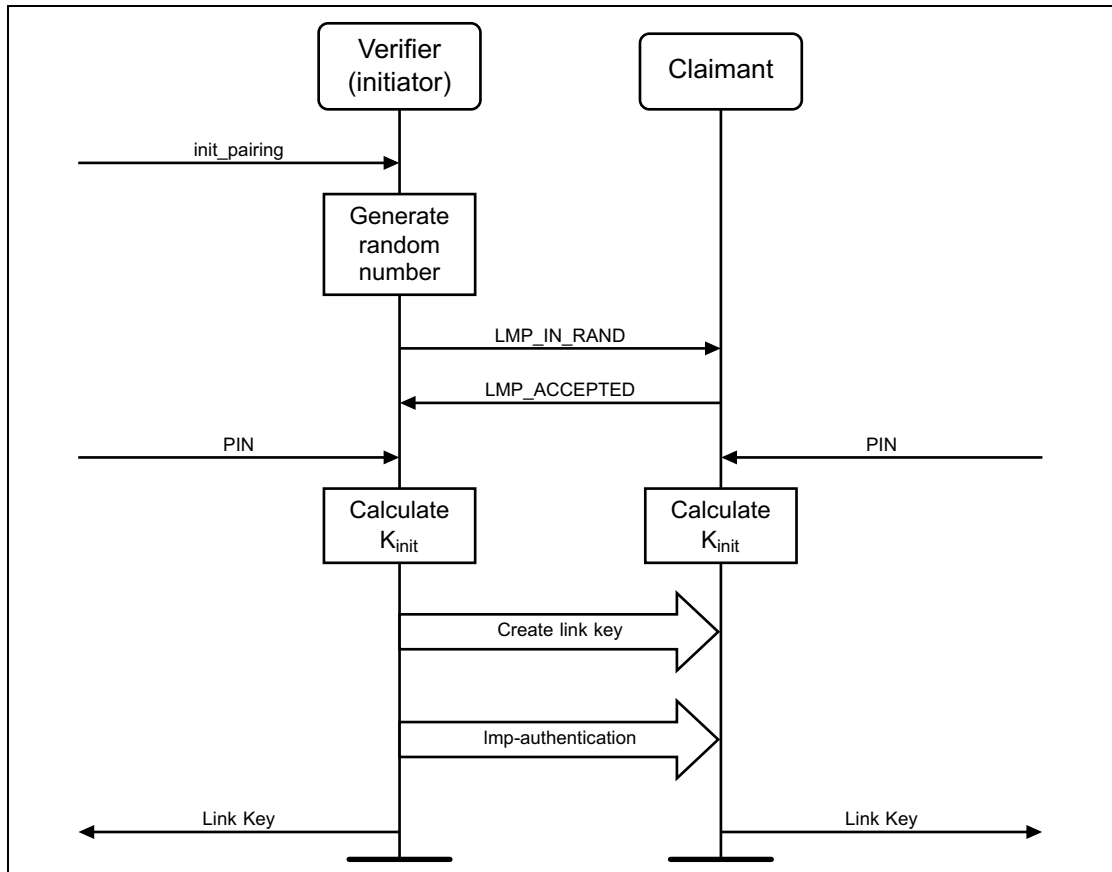


Figure B.2: LMP-pairing as defined in [2]

The PIN used here is PINBB.

The create link key procedure is described in [Vol 2] Part C, Section 4.2.2.4 and [Vol 2] Part H, Section 3.2. If the link key is based on a combination key, a mutual authentication takes place irrespective of the current security mode.



B.3 SERVICE DISCOVERY

The Service Discovery Protocol [5] specifies what PDUs are used over-the-air to inquire about services and service attributes. The procedures for discovery of supported services and capabilities using the Service Discovery Protocol are described in higher layer specifications. This is just an example.

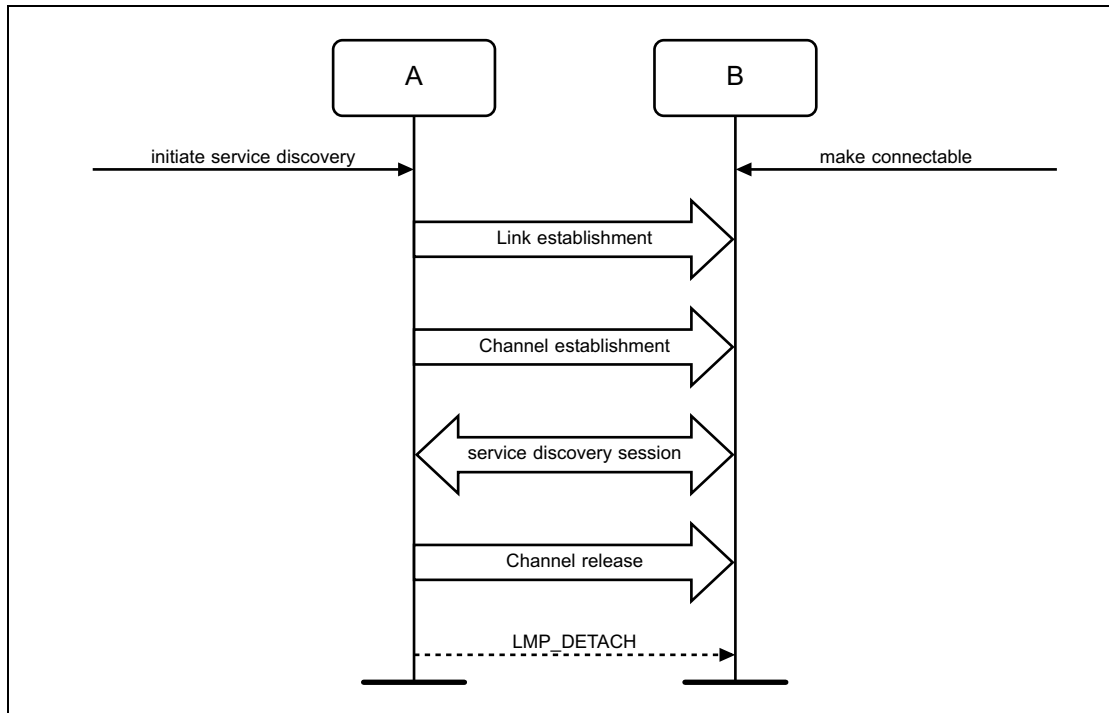


Figure B.3: Service Discovery procedure

B.4 GENERATING A RESOLVABLE PRIVATE ADDRESS

Generating a resolvable private address is described in [Section 10.8.2.2](#).

B.5 RESOLVING A RESOLVABLE PRIVATE ADDRESS

Resolving a resolvable private address is described in [Section 10.8.2.3](#).

Host
Part D

TEST SUPPORT



CONTENTS

1	Test methodology	1386
1.1	BR/EDR test scenarios	1386
1.1.1	Test setup.....	1386
1.1.2	Transmitter test.....	1387
1.1.2.1	Packet format	1388
1.1.2.2	Pseudorandom sequence	1389
1.1.2.3	Control of transmit parameters	1390
1.1.2.4	Power control	1390
1.1.2.5	Switch between different frequency settings	1390
1.1.2.6	Adaptive Frequency Hopping	1391
1.1.3	LoopBack test	1391
1.1.4	Pause test	1395
1.2	[This section is no longer used]	1395
1.3	References	1395
2	[This section is no longer used].....	1396

1 TEST METHODOLOGY

This section describes the test modes for hardware and low-level functionality tests of Bluetooth devices.

The BR/EDR Test mode supports testing of the Bluetooth transmitter and receiver including transmitter tests (packets with constant bit patterns) and loopback tests. It is intended mainly for certification/compliance testing of the radio and Baseband and may also be used for regulatory approval or in-production and after-sales testing.

1.1 BR/EDR TEST SCENARIOS

A device in BR/EDR Test mode shall not support normal operation. For security reasons the BR/EDR Test mode is designed such that it offers no benefit to the user. Therefore, no data output or acceptance on a HW or SW interface shall be allowed.

1.1.1 Test setup

The setup consists of a device under test (DUT) and a tester. Optionally, additional measurement equipment may be used.

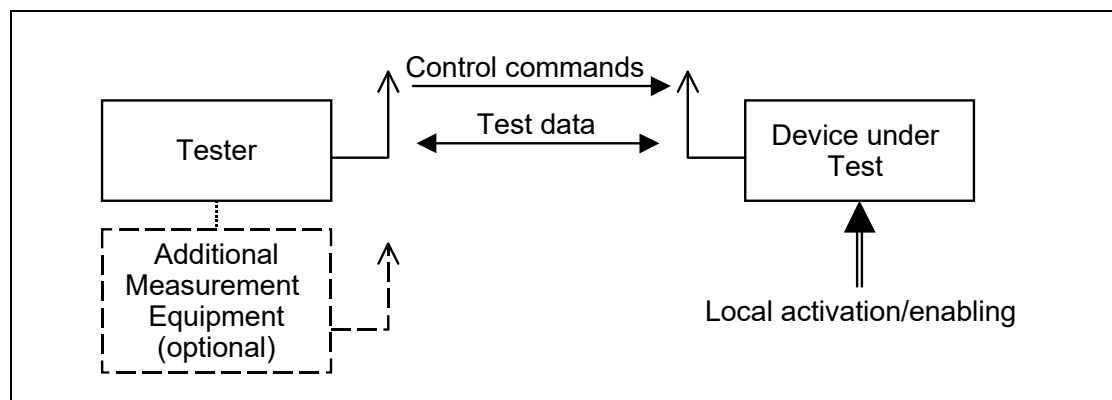


Figure 1.1: Setup for Test mode

Tester and DUT form a piconet where the tester acts as Central and has full control over the test procedure. The DUT acts as Peripheral.

The control is done via the air interface using LMP commands (see [\[Vol 2\] Part C, Section 4.7.3](#)). Hardware interfaces to the DUT may exist, but are not subject to standardization.

The test mode is a special state of the Bluetooth model. For security and type approval reasons, a Bluetooth device in test mode shall not support normal operation. When the DUT leaves the test mode it enters the standby state. After power-off the Bluetooth device shall return to the standby state.



1.1.2 Transmitter test

The Bluetooth device transmits a constant bit pattern. This pattern is transmitted periodically with packets aligned to the Peripheral TX timing of the piconet formed by tester and DUT. The same test packet is repeated for each transmission.

The transmitter test is started when the Central sends the first POLL packet. In non-hopping mode the agreed frequency is used for this POLL packet.

The tester (Central) transmits control or POLL packets in the Central-to-Peripheral transmission slots. The DUT (Peripheral) shall transmit packets in the following Peripheral-to-Central transmission slot. The tester’s polling interval is fixed and defined by the LMP_TEST_CONTROL PDU. The device under test may transmit its burst according to the normal timing even if no packet from the tester was received. In this case, the ARQN bit is shall be set to NAK.

The burst length may exceed the length of a one slot packet. In this case the tester may take the next free Central TX slot for polling. The timing is illustrated in [Figure 1.2](#).

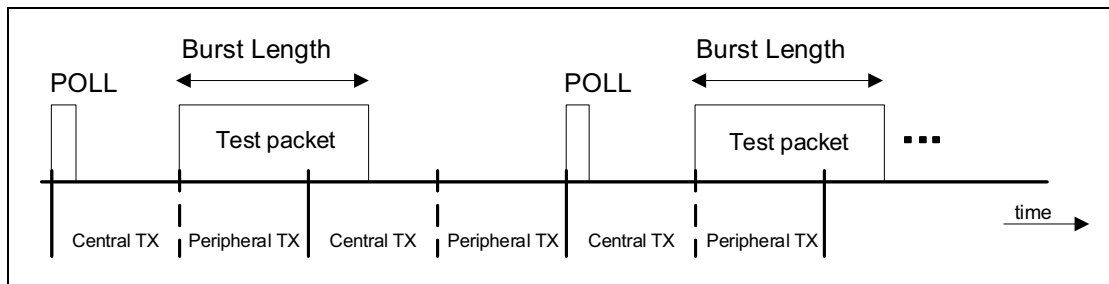


Figure 1.2: Timing for transmitter test



1.1.2.1 Packet format

The test packet is a normal Bluetooth packet, see [Figure 1.3](#). For the payload itself see below.

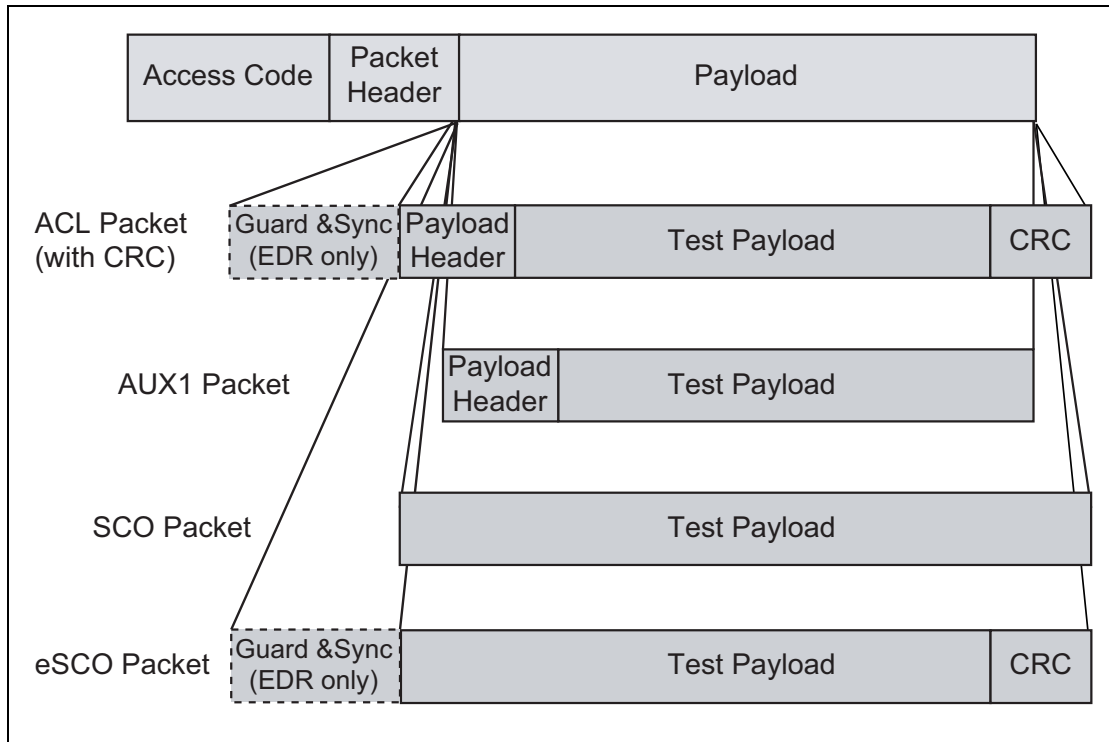


Figure 1.3: General format of TX packet

During configuration the tester defines:

- the packet type to be used
- payload length

For the payload length, the restrictions from the Baseband specification shall apply (see [\[Vol 2\] Part B, Section 6.5](#)). In case of ACL, SCO and eSCO packets the payload structure defined in the Baseband specification is preserved as well, see [Figure 1.3](#).

For the transmitter test mode, only packets without FEC should be used; i.e. HV3, EV3, EV5, DH1, DH3, DH5, 2-EV3, 2-EV5, 3-EV3, 3-EV5, 2-DH1, 2-DH3, 2-DH5, 3-DH1, 3-DH3, 3-DH5 and AUX1 packets.

In transmitter test mode, the packets exchanged between the tester and the DUT shall not be scrambled with the whitening sequence. Whitening shall be turned off when the DUT has accepted to enter the transmitter test mode, and shall be turned on when the DUT has accepted to exit the transmitter test mode, see [Figure 1.4](#). Implementations shall ensure that retransmissions of the



LMP_ACCEPTED messages use the same whitening status as used in the original LMP_ACCEPTED.

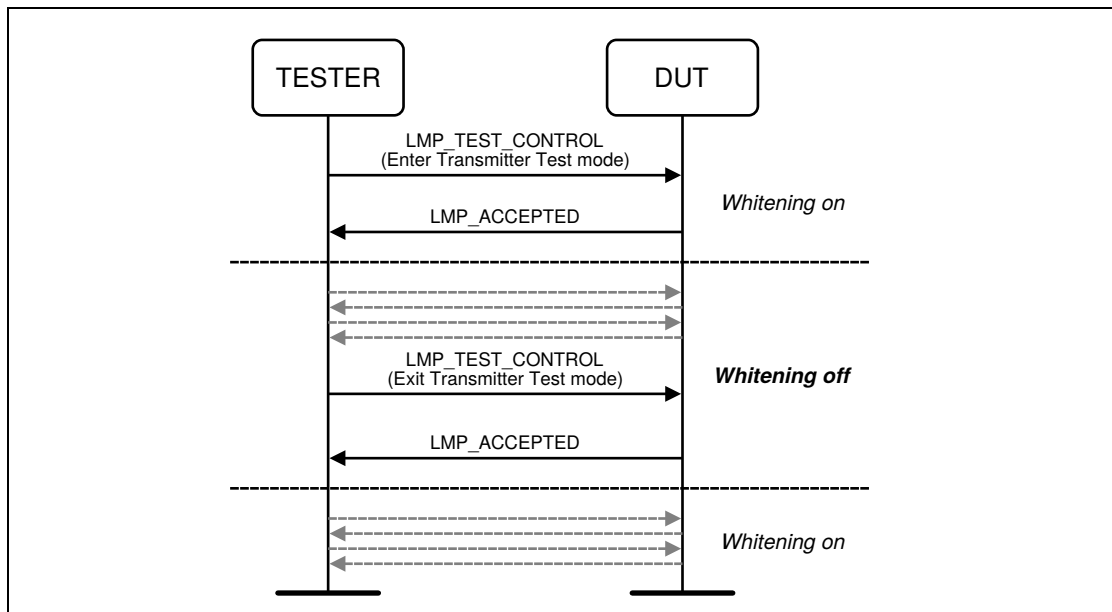


Figure 1.4: Use of whitening in Transmitter mode

1.1.2.2 Pseudorandom sequence

The same pseudorandom sequence of bits shall be used for each transmission (i.e. the packet is repeated). A PRBS9 sequence is used, see [1] and [2].

The properties of this sequence are as follows (see [2]). The sequence may be generated in a nine-stage shift register whose 5th and 9th stage outputs are XORed (see Figure 1.5), and the result is fed back to the input of the first stage. The sequence begins with the first ONE of 9 consecutive ONEs; i.e. the shift register is initialized with nine ones.

- Number of shift register stages: 9
- Length of pseudo-random sequence: $2^9 - 1 = 511$ bits
- Longest sequence of zeros: 8 (non-inverted signal)

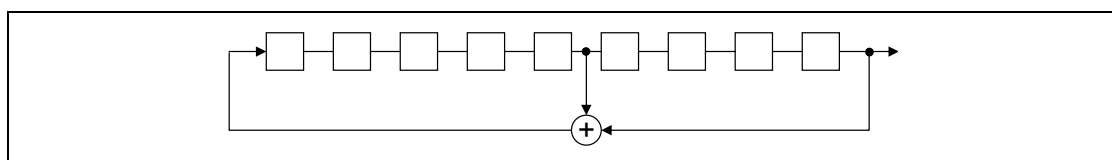


Figure 1.5: Linear feedback shift register for generation of the PRBS sequence



1.1.2.3 Control of transmit parameters

The following parameters can be set to configure the transmitter test:

1. Bit pattern:
 - Constant zero
 - Constant one
 - Alternating 1010...¹
 - Alternating 1111 0000 1111 0000...¹
 - Pseudorandom bit pattern
 - Transmission off
2. Frequency selection:
 - Single frequency
 - Normal hopping
3. TX frequency
 - (2402 + k) MHz for channel k
4. Default poll period in TDD frames ($n * 1.25$ ms)
5. Packet Type
6. Length of test payload

1.1.2.4 Power control

When the legacy power control mechanism is tested the DUT shall start transmitting at the maximum power and shall reduce/increase its power by one step on every LMP_INCR_POWER_REQ or LMP_DECR_POWER_REQ PDU received. When the enhanced power control mechanism is tested a DUT shall start transmitting at the maximum power and shall reduce/increase its power by one step or go to the maximum power level when a LMP_POWER_CONTROL_REQ PDU is received.

1.1.2.5 Switch between different frequency settings

A change in the frequency selection becomes effective when the LMP procedure is completed:

When the tester receives the LMP_ACCEPTED it shall then transmit POLL packets containing the ACK for at least 8 slots (4 transmissions). When these transmissions have been completed the tester shall change to the new frequency hop and whitening settings.

After sending LMP_ACCEPTED the DUT shall wait for the LC level ACK for the LMP_ACCEPTED. When this is received it shall change to the new frequency hop and whitening settings.

1. It is recommended that the sequence starts with a one; but, as this is irrelevant for measurements, it is also allowed to start with a zero.



There will be an implementation defined delay after sending the LMP_ACCEPTED before the TX or loopback test starts. Testers shall be able to cope with this.

Note: Loss of the LMP_ACCEPTED PDU will eventually lead to a loss of frequency synchronization that cannot be recovered. Similar problems occur in normal operation, when the hopping pattern changes.

1.1.2.6 Adaptive Frequency Hopping

Adaptive Frequency Hopping (AFH) shall only be used when the Hopping Mode is set to 79 channels (e.g. Hopping Mode = 1) in the LMP_TEST_CONTROL PDU. If AFH is used, the normal LMP commands and procedures shall be used. When AFH is enabled prior to entering test mode it shall continue to be used with the same parameters if Hopping Mode = 1 until the AFH parameters are changed by the LMP_SET_AFH PDU.

The channel classification reporting state shall be retained upon entering or exiting Test Mode. The DUT shall change the channel classification reporting state in Test Mode based on control messages from the tester (LMP_CHANNEL_CLASSIFICATION_REQ) and from the Host (HCI_Write_AFH_Channel_Assessment_Mode).

1.1.3 LoopBack test

In loopback, the device under test receives normal Baseband packets containing payload *Accepted* from the tester. The received packets shall be decoded in the DUT, and the payload shall be sent back using the same packet type. The return packet shall be sent back in either the Peripheral-to-Central transmission slot directly following the transmission of the tester, or it is delayed and sent back in the Peripheral-to-Central transmission slot after the next transmission of the tester (see [Figure 1.7](#) to [Figure 1.9](#)).

There is no signaling to determine or control the mode. The device behavior shall be fixed or adjusted by other means, and shall not change randomly.

The tester can select whether whitening is on or off. This setting holds for both uplink and downlink. For switching the whitening status, the same rules as in [Section 1.1.2 \(Figure 1.4\)](#) shall apply.

The following rules apply (for illustration see [Figure 1.6](#)):

- If the synch word was not detected, the DUT shall not reply.
- If the header error check (HEC) fails, the DUT shall either reply with a NULL packet with the ARQN bit set to NAK or send nothing.
- If the packet contains an LMP message relating to the control of the test mode this command shall be executed and the packet shall not be returned, though ACK or NAK shall be returned as per the usual procedure. Other LMP commands shall be ignored and no packet returned.

Test Support

- The payload FEC is decoded and the payload shall be encoded again for transmission. This allows testing of the FEC handling. If the pure bit error rate shall be determined the tester chooses a packet type without FEC.
- The CRC shall be evaluated. In the case of a failure, ARQN=NAK shall be returned. The payload shall be returned as received. A new CRC for the return packet shall be calculated for the returned payload regardless of whether the CRC was valid or not.
- If the CRC fails for a packet with a CRC and a payload header, the number of bytes as indicated in the (possibly erroneous) payload header shall be looped back.

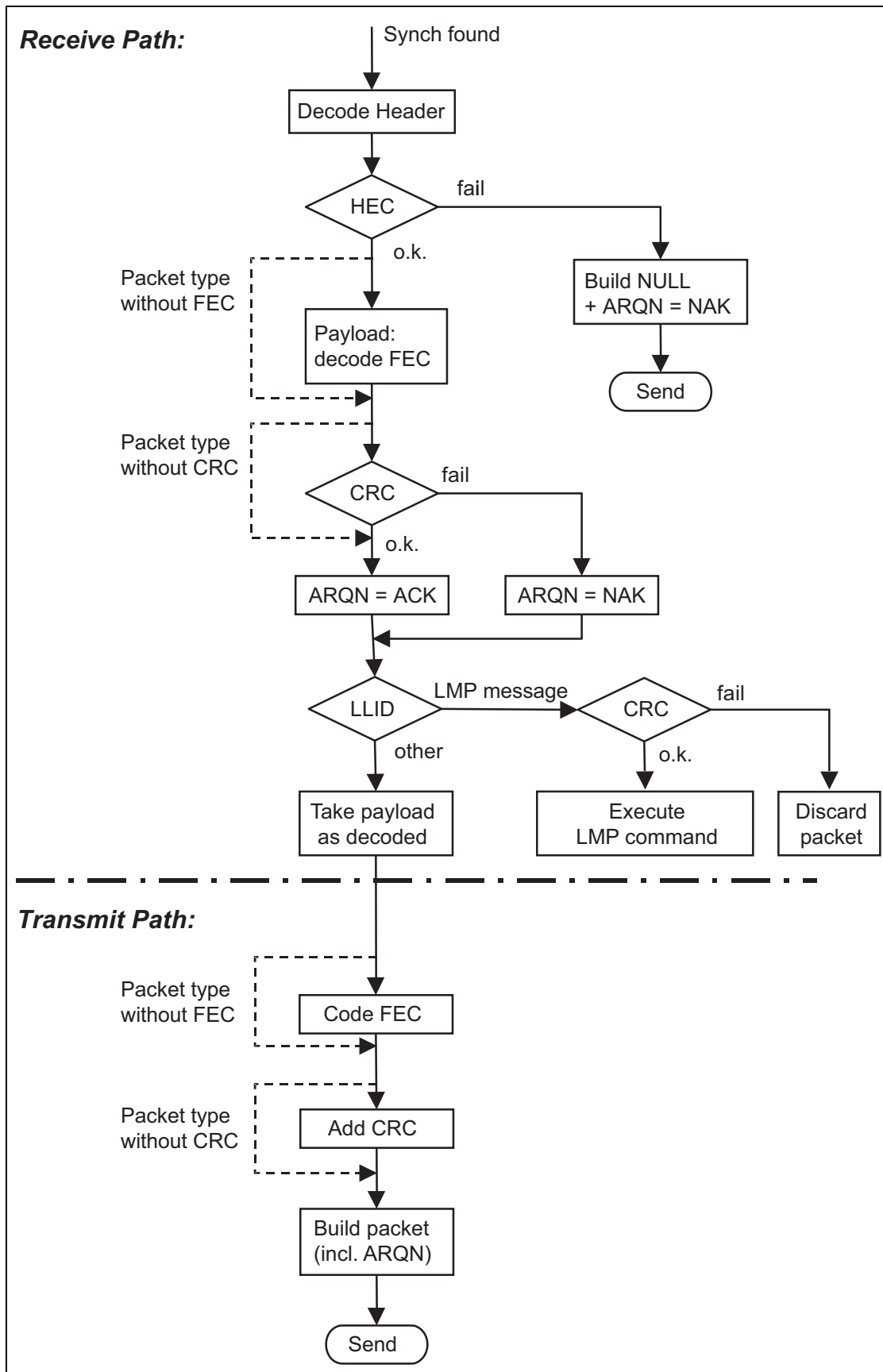


Figure 1.6: DUT packet handling in loopback test



The timing for normal and delayed loopback is illustrated in [Figure 1.7](#) to [Figure 1.9](#):

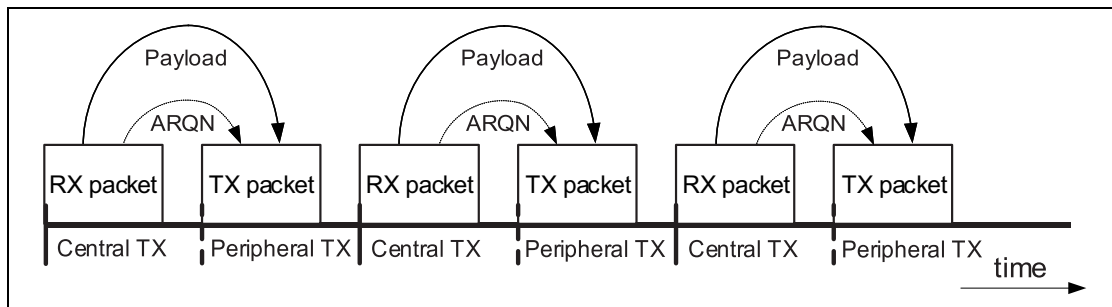


Figure 1.7: Payload and ARQN handling in normal loopback

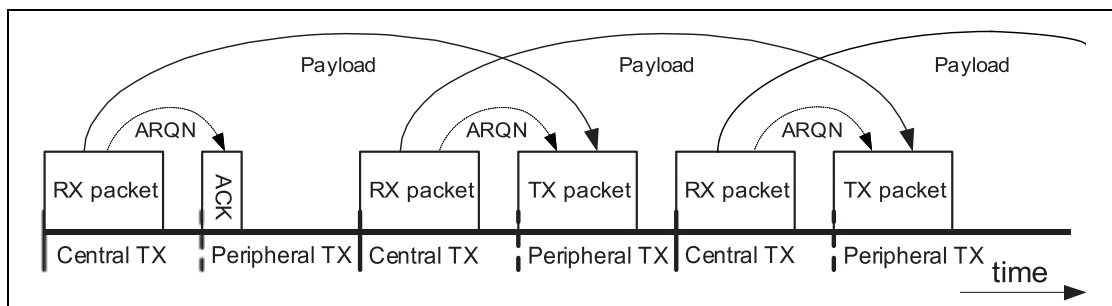


Figure 1.8: Payload and ARQN handling in delayed loopback – start

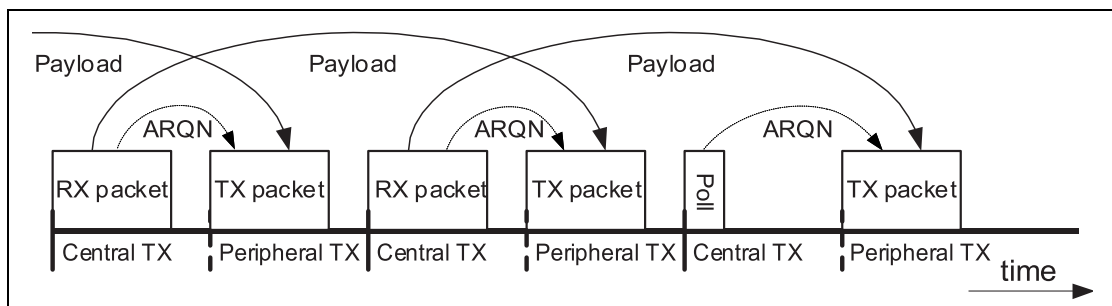


Figure 1.9: Payload and ARQN handling in delayed loopback – end

The whitening is performed in the same way as it is used in normal Active mode.

The following parameters can be set to configure the loop back test:

1. Packet Class¹
 - ACL packets
 - SCO packets
 - eSCO packets
 - ACL packets without whitening

1. This is included because the packet type numbering is ambiguous.



SCO packets without whitening
eSCO packets without whitening

2. Frequency Selection

Single frequency (independent for RX and TX)
Normal hopping

3. Power level: (To be used according radio specification requirements) power control or fixed TX power

The switch of the frequency setting is done exactly as for the transmitter test (see [Section 1.1.2.5](#)).

1.1.4 Pause test

Pause test is used by testers to put the device under test into Pause Test mode from either the loopback or transmitter test modes.

When an LMP_TEST_CONTROL PDU that specifies Pause Test is received the DUT shall stop the current test and enter Pause Test mode. In the case of a transmitter test this means that no more packets shall be transmitted. While in Pause Test mode the DUT shall respond normally to POLL packets (i.e. responds with a NULL packet). The DUT shall also respond normally to all the LMP packets that are allowed in test mode.

When the test scenario is set to Pause Test all the other fields in the LMP_TEST_CONTROL PDU shall be ignored. There shall be no change in hopping scheme or whitening as a result of a request to pause test.

1.2 [THIS SECTION IS NO LONGER USED]

1.3 REFERENCES

- [1] CCITT Recommendation O.153 (1992), Basic parameters for the measurement of error performance at bit rates below the primary rate.
- [2] ITU-T Recommendation O.150 (1996), General requirements for instrumentation for performance measurements on digital transmission equipment.



2 [THIS SECTION IS NO LONGER USED]

**[THIS PART IS NO LONGER
USED]**

ATTRIBUTE PROTOCOL (ATT)

This Part defines the Attribute Protocol; a protocol for discovering, reading, and writing attributes on a peer device



CONTENTS

1	Introduction	1401
1.1	Scope	1401
1.2	Conformance	1401
1.3	Conventions.....	1401
2	Protocol overview	1402
3	Protocol requirements	1404
3.1	Introduction	1404
3.2	Basic concepts	1404
3.2.1	Attribute type.....	1404
3.2.2	Attribute handle.....	1404
3.2.3	Attribute handle grouping.....	1405
3.2.4	Attribute value	1405
3.2.5	Attribute permissions	1405
3.2.6	Control-point attributes.....	1407
3.2.7	Protocol methods.....	1407
3.2.8	Exchanging MTU size	1407
3.2.9	Long attribute values.....	1408
3.2.10	Atomic operations	1408
3.2.11	ATT bearers	1409
3.3	Attribute PDU.....	1409
3.3.1	Attribute PDU format.....	1411
3.3.2	Sequential protocol	1412
3.3.3	Transaction	1413
3.4	Attribute Protocol PDUs.....	1413
3.4.1	Error handling	1413
3.4.1.1	ATT_ERROR_RSP.....	1413
3.4.2	MTU exchange.....	1416
3.4.2.1	ATT_EXCHANGE_MTU_REQ	1416
3.4.2.2	ATT_EXCHANGE_MTU_RSP.....	1416
3.4.3	Find information	1418
3.4.3.1	ATT_FIND_INFORMATION_REQ.....	1418
3.4.3.2	ATT_FIND_INFORMATION_RSP	1419
3.4.3.3	ATT_FIND_BY_TYPE_VALUE_REQ	1420
3.4.3.4	ATT_FIND_BY_TYPE_VALUE_RSP	1421
3.4.4	Reading attributes.....	1422
3.4.4.1	ATT_READ_BY_TYPE_REQ.....	1422
3.4.4.2	ATT_READ_BY_TYPE_RSP	1424
3.4.4.3	ATT_READ_REQ.....	1425



3.4.4.4	ATT_READ_RSP.....	1426
3.4.4.5	ATT_READ_BLOB_REQ.....	1426
3.4.4.6	ATT_READ_BLOB_RSP.....	1428
3.4.4.7	ATT_READ_MULTIPLE_REQ.....	1428
3.4.4.8	ATT_READ_MULTIPLE_RSP.....	1429
3.4.4.9	ATT_READ_BY_GROUP_TYPE_REQ.....	1430
3.4.4.10	ATT_READ_BY_GROUP_TYPE_RSP.....	1432
3.4.4.11	ATT_READ_MULTIPLE_VARIABLE_REQ.....	1433
3.4.4.12	ATT_READ_MULTIPLE_VARIABLE_RSP.....	1434
3.4.5	Writing attributes.....	1435
3.4.5.1	ATT_WRITE_REQ.....	1435
3.4.5.2	ATT_WRITE_RSP.....	1436
3.4.5.3	ATT_WRITE_CMD.....	1436
3.4.5.4	ATT_SIGNED_WRITE_CMD.....	1437
3.4.6	Queued writes.....	1438
3.4.6.1	ATT_PREPARE_WRITE_REQ.....	1439
3.4.6.2	ATT_PREPARE_WRITE_RSP.....	1441
3.4.6.3	ATT_EXECUTE_WRITE_REQ.....	1441
3.4.6.4	ATT_EXECUTE_WRITE_RSP.....	1442
3.4.7	Server initiated.....	1443
3.4.7.1	ATT_HANDLE_VALUE_NTF.....	1443
3.4.7.2	ATT_HANDLE_VALUE_IND.....	1443
3.4.7.3	ATT_HANDLE_VALUE_CFM.....	1444
3.4.7.4	ATT_MULTIPLE_HANDLE_VALUE_NTF.....	1444
3.4.8	Attribute Opcode summary.....	1445
3.4.9	Attribute PDU response summary.....	1446
4	Security considerations.....	1451
5	References.....	1452
Appendix A Changes to PDU names.....		1453



1 INTRODUCTION

1.1 SCOPE

The Attribute Protocol allows a device referred to as the server to expose a set of attributes and their associated values to a peer device referred to as the client. These attributes exposed by the server can be discovered, read, and written by a client, and can be indicated and notified by the server.

1.2 CONFORMANCE

If conformance to this protocol is claimed, all capabilities indicated as mandatory for this protocol shall be supported in the specified manner (process-mandatory). This also applies to all optional and conditional capabilities for which support is indicated. All mandatory capabilities, and optional and conditional capabilities for which support is indicated, are subject to verification as part of the Bluetooth qualification program.

1.3 CONVENTIONS

In this Part PDU names appear in italics. Error codes defined in [Table 3.4](#) (see [Section 3.4.1.1](#)) appear in italics followed by the numeric code (e.g. *Attribute Not Found* (0x0A)). Other names such as parameters appear in Roman text.



2 PROTOCOL OVERVIEW

The Attribute Protocol defines two roles; a server role and a client role. It allows a server to expose a set of attributes to a client that are accessible using the Attribute Protocol.

An attribute is a discrete value that has the following three properties associated with it:

- a) attribute type, defined by a UUID
- b) attribute handle
- c) a set of permissions that are defined by each higher layer specification that utilizes the attribute; these permissions cannot be accessed using the Attribute Protocol.

The attribute type specifies what the attribute represents. Bluetooth SIG defined attribute types are defined in [Assigned Numbers](#) and used by an associated higher layer specification. Non-Bluetooth SIG attribute types may also be defined.

The attribute handle uniquely identifies an attribute on a server, allowing a client to reference the attribute in read or write requests; see [Section 3.4.4](#), [Section 3.4.5](#), and [Section 3.4.6](#). It allows a client to uniquely identify the attribute being notified or indicated, see [Section 3.4.7](#). Clients are able to discover the handles of the server's attributes; see [Section 3.4.3](#). Permissions may be applied to an attribute to prevent applications from obtaining or altering an attribute's value. An attribute may be defined by a higher layer specification to be readable or writable or both, and may have additional security requirements. For more information, see [Section 3.2.5](#).

A client may send Attribute Protocol requests to a server, and the server shall respond to all requests that it receives. A device can implement both client and server roles, and both roles can function concurrently in the same device and between the same devices. There shall be only one instance of a server on each Bluetooth device; this implies that the attribute handles shall be identical for all supported bearers. For a given client, the server shall have one set of attributes, which shall have the same value and properties irrespective of which bearer is used. The server can support multiple clients. The attribute values can be the same or different for each client as defined by GATT or a higher layer specification.

Note: Multiple services may be exposed on a single server by allocating separate ranges of handles for each service. The discovery of these handle ranges is defined by a higher layer specification.

The Attribute Protocol has notification and indication capabilities that provide an efficient way of sending attribute values to a client without the need for them to be read; see [Section 3.3](#).

Attribute Protocol (ATT)

All Attribute Protocol requests are sent over an ATT bearer. There can be multiple ATT bearers established between two devices. Each ATT bearer uses a separate L2CAP channel and can have a different configuration.

In LE, there is a single ATT bearer that uses a fixed channel that is available as soon as the ACL connection is established. Additional ATT bearers can be established using L2CAP (see [Section 3.2.11](#)).

In BR/EDR, one or more ATT bearers can be established using L2CAP (see [Section 3.2.11](#)).



3 PROTOCOL REQUIREMENTS

3.1 INTRODUCTION

Each attribute has an attribute type that identifies, by means of a UUID (Universally Unique IDentifier), what the attribute represents so that a client can understand the attributes exposed by a server. Each attribute has an attribute handle that is used for accessing the attribute on a server, as well as an attribute value.

An attribute value is accessed using its attribute handle. The attribute handles are discovered by a client using Attribute Protocol PDUs (Protocol Data Unit). Attributes that have the same attribute type may exist more than once in a server. Attributes also have a set of permissions that controls whether they can be read or written, or whether the attribute value shall be sent over an encrypted link. Security aspects of the Attribute Protocol are defined in [Section 4](#).

3.2 BASIC CONCEPTS

3.2.1 Attribute type

A universally unique identifier (UUID) is used to identify every attribute type. A UUID is considered unique over all space and time. A UUID can be independently created by anybody and distributed or published as required. There is no central registry for UUIDs, as they are based off a unique identifier that is not duplicated. The Attribute Protocol allows devices to identify attribute types using UUIDs regardless of the local handle used to identify them in a read or write request.

Universal unique identifiers are defined in SDP [\[Vol 3\] Part B, Section 2.5.1](#).

All 32-bit Attribute UUIDs shall be converted to 128-bit UUIDs when the Attribute UUID is contained in an ATT PDU.

3.2.2 Attribute handle

An attribute handle is a 16-bit value that is assigned by each server to its own attributes to allow a client to reference those attributes. An attribute handle shall not be reused while an ATT bearer exists between a client and its server.

Attribute handles on any given server shall have unique, non-zero values. Attributes are ordered by attribute handle.

An attribute handle of value 0x0000 is reserved for future use. An attribute handle of value 0xFFFF is known as the maximum attribute handle.



Note: Attributes can be added or removed while an ATT bearer is established; however, an attribute that has been removed cannot be replaced by another attribute with the same handle while any ATT bearer is established.

3.2.3 Attribute handle grouping

Grouping is defined by a specific attribute placed at the beginning of a range of other attributes that are grouped with that attribute, as defined by a higher layer specification. Clients can request the first and last handles associated with a group of attributes.

3.2.4 Attribute value

An attribute value is an octet array that may be either fixed or variable length. For example, it can be a one octet value, or a four octet integer, or a variable length string. An attribute may contain a value that is too large to transmit in a single PDU and can be sent using multiple PDUs. The values that are transmitted are opaque to the Attribute Protocol. The encoding of these octet arrays is defined by the attribute type.

When transmitting attribute values in a request, a response, a notification or an indication, the attribute value length is not sent in any field of the majority of PDUs. The length of a variable length field in those PDUs is implicitly given by the length of the packet that carries this PDU. This implies that:

- a) only one attribute value can be placed in a single request, response, notification or indication unless the attribute values have lengths known by both the server and client, as defined by the attribute type.
- b) This attribute value will always be the only variable length field of a request, response, notification or indication.
- c) The bearer protocol (e.g. L2CAP) preserves datagram boundaries.

Note: Some responses include multiple attribute values, for example when client requests multiple attribute reads. For the client to determine the attribute value boundaries, the attribute values must have a fixed size defined by the attribute type.

There are some PDUs where the length of attribute values is included as a field within the PDU and therefore the above implications do not apply to these PDUs.

3.2.5 Attribute permissions

An attribute has a set of permission values associated with it. The permissions associated with an attribute specifies that it may be read and/or written. The permissions associated with the attribute specifies the security level required



for read and/or write access, as well as notification and/or indication. The permissions of a given attribute are defined by a higher layer specification, and are not discoverable using the Attribute Protocol.

If access to a secure attribute requires an authenticated link, and the client is not already authenticated with the server with sufficient security, then an ATT_ERROR_RSP PDU shall be sent with the Error Code parameter set to *Insufficient Authentication* (0x05). When a client receives this error code it may try to authenticate the link, and if the authentication is successful, it can then access the secure attribute.

If access to a secure attribute requires an encrypted link, and the link is not encrypted, then an ATT_ERROR_RSP PDU shall be sent with the Error Code parameter set to *Insufficient Encryption* (0x0F). When a client receives this error code it may try to encrypt the link and if the encryption is successful, it can then access the secure attribute.

If access to a secure attribute requires an encrypted link, and the link is encrypted but with an encryption key size that is too short for the level of security required, then an ATT_ERROR_RSP PDU shall be sent with the Error Code parameter set to *Encryption Key Size Too Short* (0x0C). When a client receives this error code it may try to encrypt the link with a longer key size, and if the encryption is successful, it can then access the secure attribute.

Attribute permissions are a combination of access permissions, encryption permissions, authentication permissions and authorization permissions.

The following access permissions are possible:

- Readable
- Writeable
- Readable and writable

The following encryption permissions are possible:

- Encryption required
- No encryption required

The following authentication permissions are possible:

- Authentication Required
- No Authentication Required

The following authorization permissions are possible:

- Authorization Required
- No Authorization Required

Encryption, authentication, and authorization permissions can have different possibilities; for example, a specific attribute could require a particular kind of



authentication or a certain minimum encryption key length. An attribute can have several combinations of permissions that apply; for example, a specific attribute could allow any of the following:

- Read if encrypted (authentication not required)
- Write if authenticated and encrypted
- Read or write if authenticated and authorized (irrespective of encryption)

Access permissions are used by a server to determine if a client can read and/or write an attribute value.

Authentication permissions are used by a server to determine if an authenticated physical link is required when a client attempts to access an attribute. Authentication permissions are also used by a server to determine if an authenticated physical link is required before sending a notification or indication to a client.

Authorization permissions determine if a client needs to be authorized before accessing an attribute value.

Different bearers for the same client may be on links with different security properties. Therefore, the server must not assume that when a client has been authenticated on the link carrying one bearer, it has been authenticated on all bearers. The different security properties might have other implications that an implementation needs to take into account.

3.2.6 Control-point attributes

Attributes that cannot be read, but can only be written, notified or indicated are called control-point attributes. These control-point attributes can be used by higher layers to enable device specific procedures, for example the writing of a command or the indication when a given procedure on a device has completed.

3.2.7 Protocol methods

The Attribute Protocol uses methods defined in [Section 3.4](#) to find, read, write, notify, and indicate attributes. A method is categorized as either a command, a request, a response, a notification, an indication, or a confirmation; see [Section 3.3](#). Some Attribute Protocol PDUs can also include an Authentication Signature, to allow authentication of the originator of this PDU without requiring encryption. The method and signed bit are known as the opcode.

3.2.8 Exchanging MTU size

ATT_MTU is defined as the maximum size of any packet sent between a client and a server. A higher layer specification defines the default ATT_MTU value.



When using an L2CAP channel with a fixed CID, the client and server may optionally exchange the maximum size of a packet that can be received using the ATT_EXCHANGE_MTU_REQ and ATT_EXCHANGE_MTU_RSP PDUs. Both devices then use the minimum of these exchanged values for all further communication (see [Section 3.4.2](#)). A device that is acting as a server and client at the same time shall use the same value for Client Rx MTU and Server Rx MTU.

When using an L2CAP channel with a dynamically allocated CID, the ATT_MTU shall be set to the L2CAP MTU size.

The ATT_MTU value is a per ATT bearer value. A device with multiple ATT bearers may have a different ATT_MTU value for each ATT bearer.

3.2.9 Long attribute values

The longest attribute that can be sent in a single packet is (ATT_MTU-1) octets in size. At a minimum, the Attribute Opcode is included in an Attribute PDU.

An attribute value may be defined to be larger than (ATT_MTU-1) octets in size. These attributes are called long attributes.

To read the entire value of an attributes larger than (ATT_MTU-1) octets, the ATT_READ_BLOB_REQ PDU is used. It is possible to read the first (ATT_MTU-1) octets of a long attribute value using the ATT_READ_REQ PDU.

To write the entire value of an attribute larger than (ATT_MTU-3) octets, the ATT_PREPARE_WRITE_REQ and ATT_EXECUTE_WRITE_REQ PDUs are used. It is possible to write the first (ATT_MTU-3) octets of a long attribute value using the ATT_WRITE_CMD PDU.

It is not possible to determine if an attribute value is longer than (ATT_MTU-3) octets using this protocol. A higher layer specification will state that a given attribute can have a maximum length larger than (ATT_MTU-3) octets.

The maximum length of an attribute value shall be 512 octets.

Note: The protection of an attribute value changing when reading the value using multiple Attribute Protocol PDUs is the responsibility of the higher layer.

3.2.10 Atomic operations

The server shall treat each request or command as an atomic operation that cannot be affected by another ATT bearer sending a request or command at the same time. If an ATT bearer is terminated for any reason (user action or loss of the radio link), the value of any modified attribute is the responsibility of the higher layer specification.

Long attributes cannot be read or written in a single atomic operation.



3.2.11 ATT bearers

An ATT bearer is a channel used to send Attribute Protocol PDUs. Each ATT bearer uses an L2CAP channel which shall be either a dynamically allocated channel or the LE Attribute Protocol fixed channel (see [Vol 3] Part A, Section 2.1). A device may have any number of dynamically allocated channels and at most one fixed channel as ATT bearers to a peer device.

An ATT bearer connects an ATT Client on one device to an ATT Server on the peer device and may also connect an ATT Server on the first device to an ATT Client on the peer device. Whether a received Attribute PDU is intended for the ATT Client or for the ATT Server is determined by the PDU type (see Section 3.3).

The L2CAP channel mode determines the behavior of Attribute Protocol on that ATT bearer. If the L2CAP channel mode is using Enhanced Credit Based Flow Control Mode, the ATT bearer is known as an Enhanced ATT bearer. Any ATT bearer that is not an Enhanced ATT bearer, using any other L2CAP channel mode, is known as an Unenhanced ATT bearer.

Except where explicitly stated, the behavior of an Enhanced ATT bearer that uses Enhanced Credit Based Flow Control Mode shall be identical to the behavior of an ATT bearer that does not use Enhanced Credit Based Flow Control Mode.

An ATT bearer is terminated when either the L2CAP channel (if dynamically allocated) or the underlying physical link is disconnected.

An LE fixed channel can only be terminated by disconnecting the physical link.

A higher-layer specification may require an Enhanced ATT bearer.

3.3 ATTRIBUTE PDU

Attribute PDUs have one of six types, which are indicated by the suffix to the PDU name as shown in Table 3.1:

Type	Purpose	Suffix
Commands	PDUs sent to a server by a client that do not invoke a response.	CMD
Requests	PDUs sent to a server by a client that invoke a response.	REQ
Responses	PDUs sent to a client by a server in response to a request.	RSP
Notifications	Unsolicited PDUs sent to a client by a server that do not invoke a confirmation.	NTF

Table 3.1: Attribute PDUs



Type	Purpose	Suffix
Indications	Unsolicited PDUs sent to a client by a server that invoke a confirmation.	IND
Confirmations	PDUs sent to a server by a client to confirm receipt of an indication.	CFM

Table 3.1: Attribute PDUs

A server shall be able to receive and properly respond to the following request PDUs:

- ATT_FIND_INFORMATION_REQ
- ATT_READ_REQ

Support for all other PDU types in a server can be specified in a higher layer specification, see [Section 3.4.8](#).

If a client sends a request, then the client shall support all possible response PDUs for that request.

If a server receives a request that it does not support, then the server shall respond with the ATT_ERROR_RSP PDU with the Error Code parameter set to *Request Not Supported* (0x06), with the Attribute Handle In Error set to 0x0000.

If a server receives a command that it does not support, indicated by the Command Flag of the PDU set to one, then the server shall ignore the command.

If the server receives an invalid request – for example, the PDU is the wrong length – then the server shall respond with the ATT_ERROR_RSP PDU with the Error Code parameter set to *Invalid PDU* (0x04), with the Attribute Handle In Error set to 0x0000.

If a server does not have sufficient resources to process a request, then the server shall respond with the ATT_ERROR_RSP PDU with the Error Code parameter set to *Insufficient Resources* (0x11), with the Attribute Handle In Error set to 0x0000.

If a server cannot process a request because an error was encountered during the processing of this request, then the server shall respond with the ATT_ERROR_RSP PDU with the Error Code parameter set to *Unlikely Error* (0x0E), with the Attribute Handle In Error set to 0x0000.



3.3.1 Attribute PDU format

Attribute PDUs have the following format:

Name	Size (octets)	Description
Attribute Opcode	1	The attribute PDU operation code bit 7: Authentication Signature Flag bit 6: Command Flag bits 5-0: Method
Attribute Parameters	0 to (ATT_MTU - X)	The attribute PDU parameters X = 1 if Authentication Signature Flag of the Attribute Opcode is 0 X = 13 if Authentication Signature Flag of the Attribute Opcode is 1
Authentication Signature	0 or 12	Optional authentication signature for the Attribute Opcode and Attribute Parameters

Table 3.2: Format of attribute PDU

Multi-octet fields within the Attribute Protocol shall be sent least significant octet first (little-endian) with the exception of the Attribute Value field. The endianness of the Attribute Value field is defined by a higher layer specification.

The Attribute Opcode is composed of three fields, the Authentication Signature Flag, the Command Flag, and the Method. The Method is a 6-bit value that determines the format and meaning of the Attribute Parameters.

If the Authentication Signature Flag of the Attribute Opcode is set to one, the Authentication Signature value shall be appended to the end of the attribute PDU, and X is 13. If the Authentication Signature Flag of the Attribute Opcode is set to zero, the Authentication Signature value shall not be appended, and X is 1.

The Authentication Signature field is calculated as defined in Security Manager (see [\[Vol 3\] Part H, Section 2.4.5](#)). This value provides an Authentication Signature for the variable length message (m) consisting of the following values in this order: Attribute Opcode, Attribute Parameters.

An Attribute PDU that includes an Authentication Signature should not be sent on an encrypted link.

Note: An encrypted link already includes authentication data on every packet and therefore adding more authentication data is not required.

If the Command Flag of the Attribute Opcode is set to one, the PDU shall be considered to be a command.



Only the ATT_WRITE_CMD PDU may include an Authentication Signature (and therefore becomes an ATT_SIGNED_WRITE_CMD PDU).

3.3.2 Sequential protocol

Many Attribute Protocol PDUs use a sequential request-response protocol.

Once a client sends a request to a server, that client shall send no other request to the same server on the same ATT bearer until a response PDU has been received.

Indications sent from a server also use a sequential indication-confirmation protocol. No other indications shall be sent to the same client from this server on the same ATT bearer until a confirmation PDU has been received. The client, however, is free to send commands and requests prior to sending a confirmation.

For notifications, which do not have a response PDU, there is no flow control and a notification can be sent at any time.

For commands, which do not have a response PDU, there is no flow control and a command can be sent at any time.

Note: A server can be flooded with commands, and a higher layer specification can define how to prevent this from occurring.

Commands that are received but cannot be processed, due to buffer overflows or a change-unaware client (see [\[Vol 3\] Part G, Section 2.5.2.1](#)), shall be discarded. Therefore, those PDUs must be considered to be unreliable.

On an Unenhanced ATT bearer, notifications that are received but cannot be processed due to buffer overflows shall be discarded. Therefore, those PDUs must be considered to be unreliable.

On an Enhanced ATT bearer, notifications shall always be processed when received.

Note: Flow control for each client and a server is independent.

Note: It is possible for a server to receive a request, send one or more notifications, and then the response to the original request. The flow control of requests is not affected by the transmission of the notifications.

Note: It is possible for a server to receive a request and then a command before responding to the original request. The flow control of requests is not affected by the transmission of commands.

Note: It is possible for a notification from a server to be sent after an indication has been sent but the confirmation has not been received. The flow control of indications is not affected by the transmission of notifications.



Note: It is possible for a client to receive an indication from a server and then send a request or command to that server before sending the confirmation of the original indication.

3.3.3 Transaction

An Attribute Protocol request and response or indication-confirmation pair is considered a single transaction. A transaction shall always be performed on one ATT bearer, and shall not be split over multiple ATT bearers.

On the client, a transaction shall start when the request is sent by the client. A transaction shall complete when the response is received by the client.

On a server, a transaction shall start when a request is received by the server. A transaction shall complete when the response is sent by the server.

On a server, a transaction shall start when an indication is sent by the server. A transaction shall complete when the confirmation is received by the server.

On a client, a transaction shall start when an indication is received by the client. A transaction shall complete when the confirmation is sent by the client.

A transaction not completed within 30 seconds shall time out. Such a transaction shall be considered to have failed and the local higher layers shall be informed of this failure. No more Attribute Protocol requests, commands, indications or notifications shall be sent to the target device on this ATT bearer.

To send another Attribute Protocol PDU, a new ATT bearer must be established between these devices. The existing ATT bearer may need to be terminated before the new ATT bearer is established.

If the ATT bearer is terminated during a transaction, then the transaction shall be considered to be closed, and any values that were being modified on the server will be in an undetermined state.

Note: Each ATT_PREPARE_WRITE_REQ and each ATT_READ_BLOB_REQ PDU starts a separate request and therefore a separate transaction.

3.4 ATTRIBUTE PROTOCOL PDUS

3.4.1 Error handling

3.4.1.1 ATT_ERROR_RSP

The ATT_ERROR_RSP PDU is used to state that a given request cannot be performed, and to provide the reason.



Note: Commands (i.e. the ATT_WRITE_CMD and ATT_SIGNED_WRITE_CMD PDUs) do not generate this response.

Parameter	Size (octets)	Description
Attribute Opcode	1	0x01 = ATT_ERROR_RSP PDU
Request Opcode In Error	1	The request that generated this ATT_ERROR_RSP PDU
Attribute Handle In Error	2	The attribute handle that generated this ATT_ERROR_RSP PDU
Error Code	1	The reason why the request has generated an ATT_ERROR_RSP PDU

Table 3.3: Format of the ATT_ERROR_RSP PDU

The Request Opcode In Error parameter shall be set to the Attribute Opcode of the request that generated this error.

The Attribute Handle In Error parameter shall be set to the attribute handle in the original request that generated this error. If there was no attribute handle in the original request or if the request is not supported, then the value 0x0000 shall be used for this field.

The Error Code parameter shall be set to one of the following values:

Name	Error Code	Description
Invalid Handle	0x01	The attribute handle given was not valid on this server.
Read Not Permitted	0x02	The attribute cannot be read.
Write Not Permitted	0x03	The attribute cannot be written.
Invalid PDU	0x04	The attribute PDU was invalid.
Insufficient Authentication	0x05	The attribute requires authentication before it can be read or written.
Request Not Supported	0x06	ATT Server does not support the request received from the client.
Invalid Offset	0x07	Offset specified was past the end of the attribute.
Insufficient Authorization	0x08	The attribute requires authorization before it can be read or written.
Prepare Queue Full	0x09	Too many prepare writes have been queued.
Attribute Not Found	0x0A	No attribute found within the given attribute handle range.

Table 3.4: Error codes



Name	Error Code	Description
Attribute Not Long	0x0B	The attribute cannot be read using the ATT_READ_BLOB_REQ PDU.
Encryption Key Size Too Short ¹	0x0C	The Encryption Key Size used for encrypting this link is too short.
Invalid Attribute Value Length	0x0D	The attribute value length is invalid for the operation.
Unlikely Error	0x0E	The attribute request that was requested has encountered an error that was unlikely, and therefore could not be completed as requested.
Insufficient Encryption	0x0F	The attribute requires encryption before it can be read or written.
Unsupported Group Type	0x10	The attribute type is not a supported grouping attribute as defined by a higher layer specification.
Insufficient Resources	0x11	Insufficient Resources to complete the request.
Database Out Of Sync	0x12	The server requests the client to rediscover the database.
Value Not Allowed	0x13	The attribute parameter value was not allowed.
Application Error	0x80 – 0x9F	Application error code defined by a higher layer specification.
Common Profile and Service Error Codes	0xE0 – 0xFF	Common profile and service error codes defined in [1]
Reserved for future use	All other values	Reserved for future use.

Table 3.4: Error codes

1. This was previously "Insufficient Encryption Key Size".

The Error Code values listed in [Section 3.4.2](#) to [Section 3.4.8](#) are not necessarily the only ones permitted in response to those PDUs. See [Section 3.4.9](#) for the definitive list of which Error Code values are permitted.

If more than one error code applies, then it is vendor-specific which error code is transmitted in the ATT_ERROR_RSP PDU.

If an error code is received in the ATT_ERROR_RSP PDU that is not understood by the client, for example an error code that was reserved for future use that is now being used in a future version of the specification, then the ATT_ERROR_RSP PDU shall still be considered to state that the given request cannot be performed for an unknown reason.



Note: Sending an ATT_ERROR_RSP PDU should not cause the ATT Server to disconnect from the client. The client may upgrade the security and retry the request, so the server should give the client sufficient time to perform such an upgrade.

3.4.2 MTU exchange

3.4.2.1 ATT_EXCHANGE_MTU_REQ

The ATT_EXCHANGE_MTU_REQ PDU is used by the client to inform the server of the client’s maximum receive MTU size and request the server to respond with its maximum receive MTU size.

Parameter	Size (octets)	Description
Attribute Opcode	1	0x02 = ATT_EXCHANGE_MTU_REQ
Client Rx MTU	2	Client receive MTU size

Table 3.5: Format of ATT_EXCHANGE_MTU_REQ PDU

The Client Rx MTU shall be greater than or equal to the default ATT_MTU.

This request shall only be sent once during a connection by the client. The Client Rx MTU parameter shall be set to the maximum size of the Attribute Protocol PDU that the client can receive.

3.4.2.2 ATT_EXCHANGE_MTU_RSP

The ATT_EXCHANGE_MTU_RSP PDU is sent in reply to a received ATT_EXCHANGE_MTU_REQ PDU.

Parameter	Size (octets)	Description
Attribute Opcode	1	0x03 = ATT_EXCHANGE_MTU_RSP
Server Rx MTU	2	ATT Server receive MTU size

Table 3.6: Format of ATT_EXCHANGE_MTU_RSP PDU

The Server Rx MTU shall be greater than or equal to the default ATT_MTU.

The Server Rx MTU parameter shall be set to the maximum size of the Attribute Protocol PDU that the server can receive.

The server and client shall set ATT_MTU to the minimum of the Client Rx MTU and the Server Rx MTU. The size is the same to ensure that a client can correctly detect the final packet of a long attribute read.

This ATT_MTU value shall be applied in the server after this response has been sent and before any other Attribute Protocol PDU is sent.



This ATT_MTU value shall be applied in the client after this response has been received and before any other Attribute Protocol PDU is sent.

If either Client Rx MTU or Service Rx MTU are incorrectly less than the default ATT_MTU, then the ATT_MTU shall not be changed and the ATT_MTU shall be the default ATT_MTU.

If a device is both a client and a server, the following rules shall apply:

1. A device's ATT_EXCHANGE_MTU_REQ PDU shall contain the same MTU as the device's ATT_EXCHANGE_MTU_RSP PDU (i.e. the MTU shall be symmetric).
2. If MTU is exchanged in one direction, that is sufficient for both directions.
3. It is permitted, (but not necessary - see 2.) to exchange MTU in both directions, but the MTUs shall be the same in each direction (see 1.)
4. If an Attribute Protocol Request is received after the MTU Exchange Request is sent and before the MTU Exchange Response is received, the associated Attribute Protocol Response shall use the default MTU. [Figure 3.1](#) shows an example that is covered by this rule. In this case device A and device B both use the default MTU for the Attribute Protocol Response.
5. Once the MTU Exchange Request has been sent, the initiating device shall not send an Attribute Protocol Indication or Notification until after the MTU Exchange Response has been received.

Note: This stops the risk of a cross-over condition where the MTU size is unknown for the Indication or Notification.

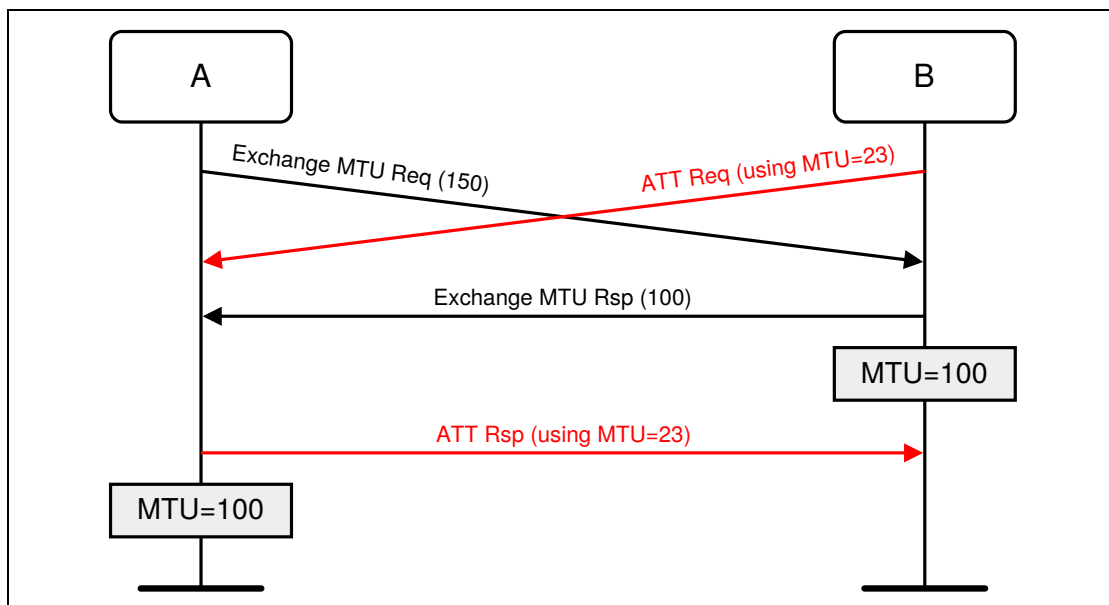


Figure 3.1: MTU Request and Response exchange



3.4.3 Find information

3.4.3.1 ATT_FIND_INFORMATION_REQ

The ATT_FIND_INFORMATION_REQ PDU is used to obtain the mapping of attribute handles with their associated types. This allows a client to discover the list of attributes and their types on a server.

Parameter	Size (octets)	Description
Attribute Opcode	1	0x04 = ATT_FIND_INFORMATION_REQ
Starting Handle	2	First requested handle number
Ending Handle	2	Last requested handle number

Table 3.7: Format of ATT_FIND_INFORMATION_REQ PDU

Only attributes with attribute handles between the Starting Handle parameter and the Ending Handle parameter will be returned. To read all attributes, the Starting Handle parameter shall be set to 0x0001, and the Ending Handle parameter shall be set to 0xFFFF. The Starting Handle parameter shall be less than or equal to the Ending Handle parameter.

If one or more attributes will be returned, an ATT_FIND_INFORMATION_RSP PDU shall be sent.

If a server receives an ATT_FIND_INFORMATION_REQ PDU with the Starting Handle parameter greater than the Ending Handle parameter or the Starting Handle parameter is 0x0000, an ATT_ERROR_RSP PDU shall be sent with the Error Code parameter set to *Invalid Handle* (0x01); the Attribute Handle In Error parameter shall be set to the Starting Handle parameter.

If no attributes will be returned, an ATT_ERROR_RSP PDU shall be sent with the Error Code parameter set to *Attribute Not Found* (0x0A); the Attribute Handle In Error parameter shall be set to the Starting Handle parameter.

The server shall not respond to the ATT_FIND_INFORMATION_REQ PDU with an ATT_ERROR_RSP PDU with the Error Code parameter set to *Insufficient Authentication* (0x05), *Insufficient Authorization* (0x08), *Encryption Key Size Too Short* (0x0C), *Database Out of Sync* (0x12), *Application Error* (0x80 to 0x9F), or *Common Profile and Service Error Codes* (0xE0 to 0xFF).



3.4.3.2 ATT_FIND_INFORMATION_RSP

The ATT_FIND_INFORMATION_RSP PDU is sent in reply to a received ATT_FIND_INFORMATION_REQ PDU and contains information about this server.

Parameter	Size (octets)	Description
Attribute Opcode	1	0x05 = ATT_FIND_INFORMATION_RSP
Format	1	The format of the information data.
Information Data	4 to (ATT_MTU-2)	The information data whose format is determined by the Format field

Table 3.8: Format of ATT_FIND_INFORMATION_RSP PDU

The *Find Information Response* shall have complete handle-UUID pairs. Such pairs shall not be split across response packets; this also implies that a handle-UUID pair shall fit into a single response packet. The handle-UUID pairs shall be returned in ascending order of attribute handles.

The Format parameter can contain one of two possible values.

Name	Format	Description
Handle(s) and 16-bit Bluetooth UUID(s)	0x01	A list of 1 or more handles with their 16-bit Bluetooth UUIDs
Handle(s) and 128-bit UUID(s)	0x02	A list of 1 or more handles with their 128-bit UUIDs

Table 3.9: Format field values

The information data field is comprised of a list of data defined in [Table 3.10](#) and [Table 3.11](#) depending on the value chosen for the format.

Handle	16-bit Bluetooth UUID
2 octets	2 octets

Table 3.10: Format 0x01 – handle and 16-bit Bluetooth UUIDs

Handle	128-bit UUID
2 octets	16 octets

Table 3.11: Format 0x02 – handle and 128-bit UUIDs

If sequential attributes have differing UUID sizes, the ATT_FIND_INFORMATION_RSP PDU shall end with the first attribute of the pair even though this may mean that it is not filled with the maximum possible amount of (handle, UUID) pairs. This is because it is not possible to include attributes with



differing UUID sizes into a single response packet. In this situation, the client must use another ATT_FIND_INFORMATION_REQ PDU with its starting handle updated to fetch the second attribute of the pair and any further ones in its original request.

3.4.3.3 ATT_FIND_BY_TYPE_VALUE_REQ

The ATT_FIND_BY_TYPE_VALUE_REQ PDU is used to obtain the handles of attributes that have a 16-bit UUID attribute type and attribute value. This allows the range of handles associated with a given attribute to be discovered when the attribute type determines the grouping of a set of attributes.

Note: Generic Attribute Profile defines grouping of attributes by attribute type.

Parameter	Size (octets)	Description
Attribute Opcode	1	0x06 = ATT_FIND_BY_TYPE_VALUE_REQ PDU
Starting Handle	2	First requested handle number
Ending Handle	2	Last requested handle number
Attribute Type	2	2 octet UUID to find
Attribute Value	0 to (ATT_MTU-7)	Attribute value to find

Table 3.12: Format of ATT_FIND_BY_TYPE_VALUE_REQ PDU

Only attributes with attribute handles between the Starting Handle parameter and the Ending Handle parameter that match the requested attribute type and the attribute value that have sufficient permissions to allow reading will be returned. To read all attributes, the Starting Handle parameter shall be set to 0x0001, and the Ending Handle parameter shall be set to 0xFFFF.

If one or more handles will be returned, an ATT_FIND_BY_TYPE_VALUE_RSP PDU shall be sent.

Note: Attribute values will be compared in terms of length and binary representation.

Note: It is not possible to use this request on an attribute that has a value longer than (ATT_MTU-7).

If a server receives an ATT_FIND_BY_TYPE_VALUE_REQ PDU with the Starting Handle parameter greater than the Ending Handle parameter or the Starting Handle parameter is 0x0000, an ATT_ERROR_RSP PDU shall be sent with the Error Code parameter set to *Invalid Handle* (0x01). The Attribute Handle In Error parameter shall be set to the Starting Handle parameter.



If no attributes will be returned, an ATT_ERROR_RSP PDU shall be sent by the server with the Error Code parameter set to *Attribute Not Found* (0x0A). The Attribute Handle In Error parameter shall be set to the starting handle.

The server shall not respond to the ATT_FIND_BY_TYPE_VALUE_REQ PDU with an ATT_ERROR_RSP PDU with the Error Code parameter set to *Insufficient Authentication* (0x05), *Insufficient Authorization* (0x08), *Encryption Key Size Too Short* (0x0C), *Insufficient Encryption* (0x0F), *Database Out of Sync* (0x12), *Application Error* (0x80 to 0x9F), or *Common Profile and Service Error Codes* (0xE0 to 0xFF).

3.4.3.4 ATT_FIND_BY_TYPE_VALUE_RSP

The ATT_FIND_BY_TYPE_VALUE_RSP PDU is sent in reply to a received ATT_FIND_BY_TYPE_VALUE_REQ PDU and contains information about this server.

Parameter	Size (octets)	Description
Attribute Opcode	1	0x07 = ATT_FIND_BY_TYPE_VALUE_RSP PDU
Handles Information List	4 to (ATT_MTU-1)	A list of 1 or more Handle Informations

Table 3.13: Format of ATT_FIND_BY_TYPE_VALUE_RSP PDU

The Handles Information List field is a list of one or more Handle Informations. The Handles Information field is an attribute handle range as defined in [Table 3.14](#).

Found Attribute Handle	Group End Handle
2 octets	2 octets

Table 3.14: Format of the Handles Information

The ATT_FIND_BY_TYPE_VALUE_RSP PDU shall contain one or more complete Handles Information. Such Handles Information shall not be split across response packets. The Handles Information List is ordered sequentially based on the found attribute handles.

For each handle that matches the attribute type and attribute value in the ATT_FIND_BY_TYPE_VALUE_REQ PDU a Handles Information shall be returned. The Found Attribute Handle shall be set to the handle of the attribute that has the exact attribute type and attribute value from the ATT_FIND_BY_TYPE_VALUE_REQ PDU. If the attribute type in the ATT_FIND_BY_TYPE_VALUE_REQ PDU is a grouping attribute as defined by a higher layer specification, the Group End Handle shall be defined by that higher layer specification. If the attribute type in the ATT_FIND_BY_TYPE_VALUE_REQ PDU is not a grouping attribute as defined by a higher layer specification, the Group End Handle shall be equal to the Found Attribute Handle.



Note: The Group End Handle may be greater than the Ending Handle in the ATT_FIND_BY_TYPE_VALUE_REQ PDU.

If a server receives an ATT_FIND_BY_TYPE_VALUE_REQ PDU, the server shall respond with the ATT_FIND_BY_TYPE_VALUE_RSP PDU containing as many handles for attributes that match the requested attribute type and attribute value that exist in the server that will fit into the maximum PDU size of (ATT_MTU-1).

3.4.4 Reading attributes

3.4.4.1 ATT_READ_BY_TYPE_REQ

The ATT_READ_BY_TYPE_REQ PDU is used to obtain the values of attributes where the attribute type is known but the handle is not known.

Parameter	Size (octets)	Description
Attribute Opcode	1	0x08 = ATT_READ_BY_TYPE_REQ PDU
Starting Handle	2	First requested handle number
Ending Handle	2	Last requested handle number
Attribute Type	2 or 16	2 or 16 octet UUID

Table 3.15: Format of ATT_READ_BY_TYPE_REQ PDU

Only the attributes with attribute handles between the Starting Handle and the Ending Handle with the attribute type that is the same as the Attribute Type given will be returned. To search through all attributes, the starting handle shall be set to 0x0001 and the ending handle shall be set to 0xFFFF.

Note: All attribute types are effectively compared as 128-bit UUIDs, even if a 16-bit UUID is provided in this request or defined for an attribute. See [Vol 3] Part B, Section 2.5.1.

The starting handle shall be less than or equal to the ending handle. If a server receives an ATT_READ_BY_TYPE_REQ PDU with the Starting Handle parameter greater than the Ending Handle parameter or the Starting Handle parameter is 0x0000, an ATT_ERROR_RSP PDU shall be sent with the Error Code parameter set to *Invalid Handle* (0x01). The Attribute Handle In Error parameter shall be set to the Starting Handle parameter.

If no attribute with the given type exists within the handle range, then no attribute handle and value will be returned, and an ATT_ERROR_RSP PDU shall be sent with the Error Code parameter set to *Attribute Not Found* (0x0A). The Attribute Handle In Error parameter shall be set to the starting handle.

The attributes returned shall be the attributes with the lowest handles within the handle range. These are known as the requested attributes.



If the attributes with the requested type within the handle range have attribute values that have the same length, then these attributes can all be read in a single request. However, if those attributes have different lengths, then multiple ATT_READ_BY_TYPE_REQ PDUs must be issued.

The ATT Server shall include as many attributes as possible in the response in order to minimize the number of PDUs required to read attributes of the same type.

When multiple attributes match, then the rules below shall be applied to each in turn.

- Only attributes that can be read shall be returned in an ATT_READ_BY_TYPE_RSP PDU.
- If an attribute in the set of requested attributes would cause an ATT_ERROR_RSP PDU then this attribute cannot be included in an ATT_READ_BY_TYPE_RSP PDU and the attributes before this attribute shall be returned.
- If the first attribute in the set of requested attributes would cause an ATT_ERROR_RSP PDU then no other attributes in the requested attributes can be considered.

The server shall respond with an ATT_READ_BY_TYPE_RSP PDU if the requested attributes have sufficient permissions to allow reading.

If the client has insufficient authorization to read the requested attribute then an ATT_ERROR_RSP PDU shall be sent with the Error Code parameter set to *Insufficient Authorization* (0x08). The Attribute Handle In Error parameter shall be set to the handle of the attribute causing the error.

If the client has insufficient security to read the requested attribute then an ATT_ERROR_RSP PDU shall be sent with the Error Code parameter set to *Insufficient Authentication* (0x05). The Attribute Handle In Error parameter shall be set to the handle of the attribute causing the error.

If the client has an encryption key size that is too short to read the requested attribute then an ATT_ERROR_RSP PDU shall be sent with the Error Code parameter set to *Encryption Key Size Too Short* (0x0C). The Attribute Handle In Error parameter shall be set to the handle of the attribute causing the error.

If the client has not enabled encryption, and encryption is required to read the requested attribute, then an ATT_ERROR_RSP PDU shall be sent with the Error Code parameter set to *Insufficient Encryption* (0x0F). The Attribute Handle In Error parameter shall be set to the handle of the attribute causing the error.

If the requested attribute's value cannot be read due to permissions then an ATT_ERROR_RSP PDU shall be sent with the Error Code parameter set to



Read Not Permitted (0x02). The Attribute Handle In Error parameter shall be set to the handle of the attribute causing the error.

Note: If there are multiple attributes with the requested type within the handle range, and the client would like to get the next attribute with the requested type, it would have to issue another ATT_READ_BY_TYPE_REQ PDU with its starting handle updated. The client can be sure there are no more such attributes remaining once it gets an ATT_ERROR_RSP PDU with the Error Code parameter set to *Attribute Not Found* (0x0A).

3.4.4.2 ATT_READ_BY_TYPE_RSP

The ATT_READ_BY_TYPE_RSP PDU is sent in reply to a received ATT_READ_BY_TYPE_REQ PDU and contains the handles and values of the attributes that have been read.

Parameter	Size (octets)	Description
Attribute Opcode	1	0x09 = ATT_READ_BY_TYPE_RSP PDU
Length	1	The size of each attribute handle-value pair
Attribute Data List	2 to (ATT_MTU - 2)	A list of Attribute Data

Table 3.16: Format of ATT_READ_BY_TYPE_RSP PDU

The ATT_READ_BY_TYPE_RSP PDU shall contain complete handle-value pairs. Such pairs shall not be split across response packets. The handle-value pairs shall be returned sequentially based on the attribute handle.

The Length parameter shall be set to the size of one attribute handle-value pair.

The maximum length of an attribute handle-value pair is 255 octets, bounded by the Length parameter that is one octet. Therefore, the maximum length of an attribute value returned in this response is (Length – 2) = 253 octets.

The attribute handle-value pairs shall be set to the value of the attributes identified by the attribute type within the handle range within the request. If the attribute value is longer than (ATT_MTU - 4) or 253 octets, whichever is smaller, then the first (ATT_MTU - 4) or 253 octets shall be included in this response.

Note: The ATT_READ_BLOB_REQ PDU (see [Section 3.4.4.5](#)) can be used to read the remaining octets of a long attribute value.



The Attribute Data field is comprised of a list of attribute handle and value pairs as defined in [Table 3.17](#).

Attribute Handle	Attribute Value
2 octets	(Length – 2) octets

Table 3.17: Format of the Attribute Data

3.4.4.3 ATT_READ_REQ

The ATT_READ_REQ PDU is used to request the server to read the value of an attribute and return its value in an ATT_READ_RSP PDU.

Parameter	Size (octets)	Description
Attribute Opcode	1	0x0A = ATT_READ_REQ PDU
Attribute Handle	2	The handle of the attribute to be read

Table 3.18: Format of ATT_READ_REQ PDU

The attribute handle parameter shall be set to a valid handle.

The server shall respond with an ATT_READ_RSP PDU if the handle is valid and the attribute has sufficient permissions to allow reading.

If the client has insufficient authorization to read the requested attribute then an ATT_ERROR_RSP PDU shall be sent with the Error Code parameter set to *Insufficient Authorization* (0x08).

If the client has insufficient security to read the requested attribute then an ATT_ERROR_RSP PDU shall be sent with the Error Code parameter set to *Insufficient Authentication* (0x05).

If the client has an encryption key size that is too short to read the requested attribute then an ATT_ERROR_RSP PDU shall be sent with the Error Code parameter set to *Encryption Key Size Too Short* (0x0C).

If the client has not enabled encryption, and encryption is required to read the requested attribute, then an ATT_ERROR_RSP PDU shall be sent with the Error Code parameter set to *Insufficient Encryption* (0x0F).

If the handle is invalid, then an ATT_ERROR_RSP PDU shall be sent with the Error Code parameter set to *Invalid Handle* (0x01).

If the attribute value cannot be read due to permissions then an ATT_ERROR_RSP PDU shall be sent with the Error Code parameter set to *Read Not Permitted* (0x02).



3.4.4.4 ATT_READ_RSP

The ATT_READ_RSP PDU is sent in reply to a received *Read Request* and contains the value of the attribute that has been read.

Parameter	Size (octets)	Description
Attribute Opcode	1	0x0B = ATT_READ_RSP PDU
Attribute Value	0 to (ATT_MTU-1)	The value of the attribute with the handle given

Table 3.19: Format of ATT_READ_RSP PDU

The attribute value shall be set to the value of the attribute identified by the attribute handle in the request. If the attribute value is longer than (ATT_MTU-1) then the first (ATT_MTU-1) octets shall be included in this response.

Note: The ATT_READ_BLOB_REQ PDU (see [Section 3.4.4.5](#)) can be used to read the remaining octets of a long attribute value.

3.4.4.5 ATT_READ_BLOB_REQ

The ATT_READ_BLOB_REQ PDU is used to request the server to read part of the value of an attribute at a given offset and return a specific part of the value in an ATT_READ_BLOB_RSP PDU.

Parameter	Size (octets)	Description
Attribute Opcode	1	0x0C = ATT_READ_BLOB_REQ PDU
Attribute Handle	2	The handle of the attribute to be read
Value Offset	2	The offset of the first octet to be read

Table 3.20: Format of ATT_READ_BLOB_REQ PDU

The attribute handle parameter shall be set to a valid handle.

The value offset parameter is based from zero; the first value octet has an offset of zero, the second octet has a value offset of one, etc.

The server shall respond with an ATT_READ_BLOB_RSP PDU if the handle is valid and the attribute and value offset is not greater than the length of the attribute value and has sufficient permissions to allow reading.

If the client has insufficient authorization to read the requested attribute then an ATT_ERROR_RSP PDU shall be sent with the Error Code parameter set to *Insufficient Authorization* (0x08).



If the client has insufficient security to read the requested attribute then an ATT_ERROR_RSP PDU shall be sent with the Error Code parameter set to *Insufficient Authentication* (0x05).

If the client has an encryption key size that is too short to read the requested attribute then an ATT_ERROR_RSP PDU shall be sent with the Error Code parameter set to *Encryption Key Size Too Short* (0x0C).

If the client has not enabled encryption, and encryption is required to read the requested attribute, then an ATT_ERROR_RSP PDU shall be sent with the Error Code parameter set to *Insufficient Encryption* (0x0F).

If the handle is invalid, then an ATT_ERROR_RSP PDU shall be sent with the Error Code parameter set to *Invalid Handle* (0x01).

If the attribute value cannot be read due to permissions then an ATT_ERROR_RSP PDU shall be sent with the Error Code parameter set to *Read Not Permitted* (0x02).

If the value offset of the *Read Blob Request* is greater than the length of the attribute value, an ATT_ERROR_RSP PDU shall be sent with the Error Code parameter set to *Invalid Offset* (0x07).

If the attribute value has a fixed length that is less than or equal to (ATT_MTU - 1) octets in length, then an ATT_ERROR_RSP PDU may be sent with the Error Code parameter set to *Attribute Not Long* (0x0B).

If the value offset of the ATT_READ_BLOB_REQ PDU is equal to the length of the attribute value, then the length of the part attribute value in the response shall be zero.

Note: If the attribute is longer than (ATT_MTU-1) octets, the ATT_READ_BLOB_REQ PDU is the only way to read the additional octets of a long attribute. The first (ATT_MTU-1) octets may be read using an ATT_READ_RSP, an ATT_HANDLE_VALUE_NTF or an ATT_HANDLE_VALUE_IND PDU.

Note: Some, but not all, long attributes have their length specified by a higher layer specification. If the long attribute has a variable length, the only way to get to the end of it is to read it part by part until the value in the ATT_READ_BLOB_RSP PDU has a length shorter than (ATT_MTU-1) or an ATT_ERROR_RSP PDU is sent with the Error Code parameter set to *Invalid Offset* (0x07).

Note: The value of a Long Attribute may change between the server receiving one ATT_READ_BLOB_REQ PDU and the next ATT_READ_BLOB_REQ PDU. A higher layer specification should be aware of this and define appropriate behavior.



3.4.4.6 ATT_READ_BLOB_RSP

The ATT_READ_BLOB_RSP PDU is sent in reply to a received ATT_READ_BLOB_REQ PDU and contains part of the value of the attribute that has been read.

Parameter	Size (octets)	Description
Attribute Opcode	1	0x0D = ATT_READ_BLOB_RSP
Part Attribute Value	0 to (ATT_MTU - 1)	Part of the value of the attribute with the handle given

Table 3.21: Format of ATT_READ_BLOB_RSP PDU

The part attribute value shall be set to part of the value of the attribute identified by the attribute handle and the value offset in the request. If the value offset is equal to the length of the attribute value, then the length of the part attribute value shall be zero. If the attribute value is longer than (Value Offset + ATT_MTU - 1) then (ATT_MTU - 1) octets from Value Offset shall be included in this response.

3.4.4.7 ATT_READ_MULTIPLE_REQ

The ATT_READ_MULTIPLE_REQ PDU is used to request the server to read two or more values of a set of attributes and return their values in an ATT_READ_MULTIPLE_RSP PDU. Only values that have a known fixed size can be read, with the exception of the last value that can have a variable length. The knowledge of whether attributes have a known fixed size is defined in a higher layer specification.

Parameter	Size (octets)	Description
Attribute Opcode	1	0x0E = ATT_READ_MULTIPLE_REQ PDU
Set Of Handles	4 to (ATT_MTU - 1)	A set of two or more attribute handles.

Table 3.22: Format of ATT_READ_MULTIPLE_REQ PDU

The attribute handles in the Set Of Handles parameter shall be valid handles.

The server shall respond with an ATT_READ_MULTIPLE_RSP PDU if all the handles are valid and all attributes have sufficient permissions to allow reading.

Note: The attribute values for the attributes in the Set Of Handles parameters do not have to all be the same size.

Note: The attribute handles in the Set Of Handles parameter do not have to be in attribute handle order; they are in the order that the values are required in the response.



If the client has insufficient authorization to read any of the attributes then an ATT_ERROR_RSP PDU shall be sent with the Error Code parameter set to *Insufficient Authorization* (0x08).

If the client has insufficient security to read any of the attributes then an ATT_ERROR_RSP PDU shall be sent with the Error Code parameter set to *Insufficient Authentication* (0x05).

If the client has an encryption key size that is too short to read any of the attributes then an ATT_ERROR_RSP PDU shall be sent with the Error Code parameter set to *Encryption Key Size Too Short* (0x0C).

If the client has not enabled encryption, and encryption is required to read the requested attribute, then an ATT_ERROR_RSP PDU shall be sent with the Error Code parameter set to *Insufficient Encryption* (0x0F).

If any of the handles are invalid, then an ATT_ERROR_RSP PDU shall be sent with the Error Code parameter set to *Invalid Handle* (0x01).

If any of the attribute values cannot be read due to permissions then an ATT_ERROR_RSP PDU shall be sent with the Error Code parameter set to *Read Not Permitted* (0x02).

If an ATT_ERROR_RSP PDU is sent, the Attribute Handle In Error parameter shall be set to the handle of the first attribute causing the error.

3.4.4.8 ATT_READ_MULTIPLE_RSP

The ATT_READ_MULTIPLE_RSP PDU is sent in reply to a received ATT_READ_MULTIPLE_REQ PDU and contains the values of the attributes that have been read.

Parameter	Size (octets)	Description
Attribute Opcode	1	0x0F = ATT_READ_MULTIPLE_RSP PDU
Set Of Values	0 to (ATT_MTU-1)	A set of two or more values

Table 3.23: Format of ATT_READ_MULTIPLE_RSP PDU

The Set Of Values parameter shall be a concatenation of attribute values for each of the attribute handles in the request in the order that they were requested. If the Set Of Values parameter is longer than (ATT_MTU-1) then only the first (ATT_MTU-1) octets shall be included in this response.

Note: A client should not use this request for attributes when the Set Of Values parameter could be (ATT_MTU-1) as it will not be possible to determine if the last attribute value is complete, or if it overflowed.



3.4.4.9 ATT_READ_BY_GROUP_TYPE_REQ

The ATT_READ_BY_GROUP_TYPE_REQ PDU is used to obtain the values of attributes where the attribute type is known, the type of a grouping attribute as defined by a higher layer specification, but the handle is not known.

Parameter	Size (octets)	Description
Attribute Opcode	1	0x10 = ATT_READ_BY_GROUP_TYPE_REQ PDU
Starting Handle	2	First requested handle number
Ending Handle	2	Last requested handle number
Attribute Group Type	2 or 16	2 or 16 octet UUID

Table 3.24: Format of ATT_READ_BY_GROUP_TYPE_REQ PDU

Only the attributes with attribute handles between the Starting Handle and the Ending Handle with the attribute type that is the same as the Attribute Group Type given will be returned. To search through all attributes, the starting handle shall be set to 0x0001 and the ending handle shall be set to 0xFFFF.

Note: All attribute types are effectively compared as 128-bit UUIDs, even if a 16-bit UUID is provided in this request or defined for an attribute. See [Vol 3] Part B, Section 2.5.1.

The starting handle shall be less than or equal to the ending handle. If a server receives an ATT_READ_BY_GROUP_TYPE_REQ PDU with the Starting Handle parameter greater than the Ending Handle parameter or the Starting Handle parameter is 0x0000, an ATT_ERROR_RSP PDU shall be sent with the Error Code parameter set to *Invalid Handle* (0x01). The Attribute Handle In Error parameter shall be set to the Starting Handle parameter.

If the Attribute Group Type is not a supported grouping attribute as defined by a higher layer specification then an ATT_ERROR_RSP PDU shall be sent with the Error Code parameter set to *Unsupported Group Type* (0x10). The Attribute Handle In Error parameter shall be set to the Starting Handle.

If no attribute with the given type exists within the handle range, then no attribute handle and value will be returned, and an ATT_ERROR_RSP PDU shall be sent with the Error Code parameter set to *Attribute Not Found* (0x0A). The Attribute Handle In Error parameter shall be set to the starting handle.

The attributes returned shall be the attributes with the lowest handles within the handle range. These are known as the requested attributes.

If the attributes with the requested type within the handle range have attribute values that have the same length, then these attributes can all be read in a single request. However, if those attributes have different lengths, then multiple ATT_READ_BY_GROUP_TYPE_REQ PDUs must be issued.



The ATT Server shall include as many attributes as possible in the response in order to minimize the number of PDUs required to read attributes of the same type.

When multiple attributes match, then the rules below shall be applied to each in turn.

- Only attributes that can be read shall be returned in an ATT_READ_BY_GROUP_TYPE_RSP PDU.
- If an attribute in the set of requested attributes would cause an ATT_ERROR_RSP PDU then this attribute cannot be included in an ATT_READ_BY_GROUP_TYPE_RSP PDU and the attributes before this attribute shall be returned.
- If the first attribute in the set of requested attributes would cause an ATT_ERROR_RSP PDU then no other attributes in the requested attributes can be considered.

The server shall respond with an ATT_READ_BY_GROUP_TYPE_RSP PDU if the requested attributes have sufficient permissions to allow reading.

If the client has insufficient authorization to read the requested attribute then an ATT_ERROR_RSP PDU shall be sent with the Error Code parameter set to *Insufficient Authorization* (0x08). The Attribute Handle In Error parameter shall be set to the handle of the attribute causing the error.

If the client has insufficient security to read the requested attribute then an ATT_ERROR_RSP PDU shall be sent with the Error Code parameter set to *Insufficient Authentication* (0x05). The Attribute Handle In Error parameter shall be set to the handle of the attribute causing the error.

If the client has an encryption key size that is too short to read the requested attribute then an ATT_ERROR_RSP PDU shall be sent with the Error Code parameter set to *Encryption Key Size Too Short* (0x0C). The Attribute Handle In Error parameter shall be set to the handle of the attribute causing the error.

If the client has not enabled encryption, and encryption is required to read the requested attribute, then an ATT_ERROR_RSP PDU shall be sent with the Error Code parameter set to *Insufficient Encryption* (0x0F). The Attribute Handle In Error parameter shall be set to the handle of the attribute causing the error.

If the requested attribute's value cannot be read due to permissions then an ATT_ERROR_RSP PDU shall be sent with the Error Code parameter set to *Read Not Permitted* (0x02). The Attribute Handle In Error parameter shall be set to the handle of the attribute causing the error.

Note: If there are multiple attributes with the requested type within the handle range, and the client would like to get the next attribute with the requested type, it would have to issue another ATT_READ_BY_GROUP_TYPE_REQ PDU



with its starting handle updated. The client can be sure there are no more such attributes remaining once it gets an ATT_ERROR_RSP PDU with the Error Code parameter set to *Attribute Not Found* (0x0A).

The server shall not respond to the ATT_READ_BY_GROUP_TYPE_REQ PDU with an ATT_ERROR_RSP PDU with the error code *Database Out of Sync* (0x12).

3.4.4.10 ATT_READ_BY_GROUP_TYPE_RSP

The ATT_READ_BY_GROUP_TYPE_RSP PDU is sent in reply to a received ATT_READ_BY_GROUP_TYPE_REQ PDU and contains the handles and values of the attributes that have been read.

Parameter	Size (octets)	Description
Attribute Opcode	1	0x11 = ATT_READ_BY_GROUP_TYPE_RSP PDU
Length	1	The size of each Attribute Data
Attribute Data List	4 to (ATT_MTU - 2)	A list of Attribute Data

Table 3.25: Format of ATT_READ_BY_GROUP_TYPE_RSP PDU

The ATT_READ_BY_GROUP_TYPE_RSP PDU shall contain complete Attribute Data. An Attribute Data shall not be split across response packets. The Attribute Data List is ordered sequentially based on the attribute handles.

The Length parameter shall be set to the size of the one Attribute Data.

The maximum length of an Attribute Data is 255 octets, bounded by the Length parameter that is one octet. Therefore, the maximum length of an attribute value returned in this response is (Length – 4) = 251 octets.

The Attribute Data List shall be set to the value of the attributes identified by the attribute type within the handle range within the request. If the attribute value is longer than (ATT_MTU - 6) or 251 octets, whichever is smaller, then the first (ATT_MTU - 6) or 251 octets shall be included in this response.

Note: The ATT_READ_BLOB_REQ PDU (see [Section 3.4.4.5](#)) can be used to read the remaining octets of a long attribute value.

The Attribute Data List is comprised of a list of Attribute Data as defined in [Table 3.26](#).

Attribute Handle	End Group Handle	Attribute Value
2 octets	2 octets	(Length - 4) octets

Table 3.26: Format of the Attribute Data



3.4.4.11 ATT_READ_MULTIPLE_VARIABLE_REQ

The ATT_READ_MULTIPLE_VARIABLE_REQ PDU is used to request that the server read two or more values of a set of attributes that have a variable or unknown value length and return their values in an ATT_READ_MULTIPLE_VARIABLE_RSP PDU.

Parameter	Size (octets)	Description
Attribute Opcode	1	0x20 = ATT_READ_MULTIPLE_VARIABLE_REQ PDU
Set Of Handles	4 to (ATT_MTU-1)	A set of two or more attribute handles

Table 3.27: Format of ATT_READ_MULTIPLE_VARIABLE_REQ PDU

The attribute handles in the Set Of Handles parameter shall all be valid handles.

The server shall respond with an ATT_READ_MULTIPLE_VARIABLE_RSP PDU if all attributes have sufficient permissions to allow reading.

Note: The attribute values for the attributes in the Set Of Handles parameters do not have to all be the same size.

Note: The attribute handles in the Set Of Handles parameter do not have to be in attribute handle order; they are in the order that the values are required in the response.

If the client has insufficient authorization to read any of the attributes, then an ATT_ERROR_RSP PDU shall be sent with the error code *Insufficient Authorization*.

If the client has insufficient security to read any of the attributes, then an ATT_ERROR_RSP PDU shall be sent with the error code *Insufficient Authentication*.

If the client has an encryption key size that is too short to read any of the attributes, then an ATT_ERROR_RSP PDU shall be sent with the error code *Encryption Key Size Too Short*.

If the client has not enabled encryption, and encryption is required to read any of the attributes, then an ATT_ERROR_RSP PDU shall be sent with the error code *Insufficient Encryption*.

If any of the handles are invalid, then an ATT_ERROR_RSP PDU shall be sent with the error code *Invalid Handle*.

If any of the attribute values cannot be read due to permissions, then an ATT_ERROR_RSP PDU shall be sent with the error code *Read Not Permitted*.



If an ATT_ERROR_RSP PDU is sent, the Attribute Handle In Error parameter in the ATT_ERROR_RSP PDU (see [Section 3.4.1.1](#)) shall be set to the handle of the first attribute causing the error.

3.4.4.12 ATT_READ_MULTIPLE_VARIABLE_RSP

The ATT_READ_MULTIPLE_VARIABLE_RSP PDU is sent in reply to a received ATT_READ_MULTIPLE_VARIABLE_REQ PDU and contains the lengths and values of the attributes that have been read.

Parameter	Size (octets)	Description
Attribute Opcode	1	0x21 = ATT_READ_MULTIPLE_VARIABLE_RSP
Length Value Tuple List	4 to (ATT_MTU-1)	A list of Length Value Tuples

Table 3.28: Format of ATT_READ_MULTIPLE_VARIABLE_RSP PDU

The Length Value Tuple List shall be a concatenation of Length Value Tuples for each of the attribute handles in the request in the order that they were requested. If the Length Value Tuple List is longer than (ATT_MTU-1) octets, then it shall be truncated after (ATT_MTU-1) or, if that would be within the Value Length field of a Length Value Tuple, at the start of the Length Value Tuple.

Note: The ATT_READ_BLOB_REQ PDU (see [Section 3.4.4.5](#)) can be used to read the remaining octets of a long attribute value.

The Value Length field in a Length Value Tuple shall be set to the length of the Attribute Value field. The Attribute Value field in a Length Value Tuple shall be set to the value of the attribute being read.

Value Length	Attribute Value
2 octets	(Value Length) octets

Table 3.29: Format of the Length Value Tuple

Note: If a Length Value Tuple is truncated, then the amount of Attribute Value will be less than the value of the Value Length field. The client must therefore not use the Value Length to determine the amount of the Attribute Value actually included in the PDU.



3.4.5 Writing attributes

3.4.5.1 ATT_WRITE_REQ

The ATT_WRITE_REQ PDU is used to request the server to write the value of an attribute and acknowledge that this has been achieved in an ATT_WRITE_RSP PDU.

Parameter	Size (octets)	Description
Attribute Opcode	1	0x12 = ATT_WRITE_REQ PDU
Attribute Handle	2	The handle of the attribute to be written
Attribute Value	0 to (ATT_MTU-3)	The value to be written to the attribute

Table 3.30: Format of ATT_WRITE_REQ PDU

The Attribute Handle shall be set to a valid handle.

The Attribute Value shall be set to the new value of the attribute.

If the attribute value has a variable length, then the attribute value shall be truncated or lengthened to match the length of the Attribute Value parameter.

Note: If an attribute value has a variable length and if the Attribute Value parameter is of zero length, the attribute value will be fully truncated.

If the attribute value has a fixed length and the Attribute Value parameter length is less than or equal to the length of the attribute value, the octets of the attribute value parameter length shall be written; all other octets in this attribute value shall be unchanged.

The server shall respond with an ATT_WRITE_RSP PDU if the handle is valid, the attribute has sufficient permissions to allow writing, and the attribute value has a valid size and format, and it is successful in writing the attribute.

If the attribute value has a variable length and the Attribute Value parameter length exceeds the maximum valid length of the attribute value then the server shall respond with an ATT_ERROR_RSP PDU with the Error Code parameter set to *Invalid Attribute Value Length* (0x0D).

If the attribute value has a fixed length and the requested attribute value parameter length is greater than the length of the attribute value then the server shall respond with an ATT_ERROR_RSP PDU with the Error Code parameter set to *Invalid Attribute Value Length* (0x0D).

If the client has insufficient authorization to write the requested attribute then an ATT_ERROR_RSP PDU shall be sent with the Error Code parameter set to *Insufficient Authorization* (0x08).



If the client has insufficient security to write the requested attribute then an ATT_ERROR_RSP PDU shall be sent with the Error Code parameter set to *Insufficient Authentication* (0x05).

If the client has an encryption key size that is too short to write the requested attribute then an ATT_ERROR_RSP PDU shall be sent with the Error Code parameter set to *Encryption Key Size Too Short* (0x0C).

If the client has not enabled encryption, and encryption is required to write the requested attribute, then an ATT_ERROR_RSP PDU shall be sent with the Error Code parameter set to *Insufficient Encryption* (0x0F).

If the handle is invalid, then an ATT_ERROR_RSP PDU shall be sent with the Error Code parameter set to *Invalid Handle* (0x01).

If the attribute value cannot be written due to permissions then an ATT_ERROR_RSP PDU shall be sent with the Error Code parameter set to *Write Not Permitted* (0x03).

If the attribute value cannot be written due to an application error then an ATT_ERROR_RSP PDU shall be sent with an error code defined by a higher layer specification.

3.4.5.2 ATT_WRITE_RSP

The ATT_WRITE_RSP PDU is sent in reply to a valid ATT_WRITE_REQ PDU and acknowledges that the attribute has been successfully written.

Parameter	Size (octets)	Description
Attribute Opcode	1	0x13 = ATT_WRITE_RSP PDU

Table 3.31: Format of ATT_WRITE_RSP

The ATT_WRITE_RSP PDU shall be sent after the attribute value is written.

3.4.5.3 ATT_WRITE_CMD

The ATT_WRITE_CMD PDU is used to request the server to write the value of an attribute, typically into a control-point attribute.

Parameter	Size (octets)	Description
Attribute Opcode	1	0x52 = ATT_WRITE_CMD PDU
Attribute Handle	2	The handle of the attribute to be set
Attribute Value	0 to (ATT_MTU-3)	The value of be written to the attribute

Table 3.32: Format of ATT_WRITE_CMD PDU



The attribute handle parameter shall be set to a valid handle.

The attribute value parameter shall be set to the new value of the attribute.

If the attribute value has a variable length, then the attribute value shall be truncated or lengthened to match the length of the attribute value parameter.

Note: If an attribute value has a variable length and if the attribute value parameter is of zero length, the attribute value will be fully truncated.

If the attribute value has a fixed length and the attribute value parameter length is less than or equal to the length of the attribute value, the octets up to the attribute value parameter length shall be written; all other octets in this attribute value shall be unchanged.

If the attribute value has a variable length and the attribute value parameter length exceeds the maximum valid length of the attribute value then the server shall ignore the command.

If the attribute value has a fixed length and the requested attribute value parameter length is greater than the length of the attribute value then the server shall ignore the command.

No ATT_ERROR_RSP or ATT_WRITE_RSP PDUs shall be sent in response to this command. If the server cannot write this attribute for any reason the command shall be ignored.

3.4.5.4 ATT_SIGNED_WRITE_CMD

This command shall not be used on an Enhanced ATT bearer.

The ATT_SIGNED_WRITE_CMD PDU is used to request the server to write the value of an attribute with an authentication signature, typically into a control-point attribute.

Parameter	Size (Octets)	Description
Attribute Opcode	1	0xD2 = ATT_SIGNED_WRITE_CMD PDU
Attribute Handle	2	The handle of the attribute to be set
Attribute Value	0 to (ATT_MTU - 15)	The value to be written to the attribute
Authentication Signature	12	Authentication signature for the Attribute Opcode, Attribute Handle and Attribute Value parameters

Table 3.33: Format of ATT_SIGNED_WRITE_CMD

The attribute handle parameter shall be set to a valid handle.

The attribute value parameter shall be set to the new value of the attribute.



The attribute signature shall be calculated as defined in [Section 3.3.1](#). For example, if the variable length message *m* to be signed is 'D212001337', SignCounter is 0x00000001 and key is 0x611B64EBFBCD1FD372EC9196DF425E50, then message to be signed (*M*) by the CMAC function is the octet sequence 'D21200133701000000'. The padding(*M*) is 0x0000000137130012D280000000000000, resultant CMAC is 0xF20F903C931E87F159B64F012574B4D0 and Authentication Signature is the octet sequence '01000000F1871E933C900FF2'. The final signed message is 'D21200133701000000F1871E933C900FF2'.

If the attribute value has a variable length, then the attribute value shall be truncated or lengthened to match the length of the attribute value parameter.

Note: If an attribute value has a variable length and if the attribute value parameter is of zero length, the attribute value will be fully truncated.

If the attribute value has a fixed length and the attribute value parameter length is less than or equal to the length of the attribute value, the octets up to the attribute value parameter length shall be written; all other octets in this attribute value shall be unchanged.

If the attribute value has a variable length and the attribute value parameter length exceeds the maximum valid length of the attribute value then the server shall ignore the command.

If the attribute value has a fixed length and the requested attribute value parameter length is greater than the length of the attribute value then the server shall ignore the command.

If the authentication signature verification fails, then the server shall ignore the command.

No ATT_ERROR_RSP PDU or ATT_WRITE_RSP PDU shall be sent in response to this command. If the server cannot write this attribute for any reason the command shall be ignored.

3.4.6 Queued writes

The purpose of queued writes is to queue up writes of values of multiple attributes in a first-in first-out queue and then execute the write on all of them in a single atomic operation.

Each client's queued values are separate; the execution of one queue shall not affect the preparation or execution of any other client's queued values. Each client has a single queue regardless of how many ATT bearers are currently established.



3.4.6.1 ATT_PREPARE_WRITE_REQ

The ATT_PREPARE_WRITE_REQ PDU is used to request the server to prepare to write the value of an attribute. The server will respond to this request with an ATT_PREPARE_WRITE_RSP PDU, so that the client can verify that the value was received correctly.

A client may send more than one ATT_PREPARE_WRITE_REQ PDU to a server, which will queue and send a response for each handle value pair.

A server may limit the number of prepared writes that it can queue. A higher layer specification should define this limit.

After an ATT_PREPARE_WRITE_REQ PDU has been issued, and the response received, any other attribute command or request can be issued from the same client to the same server.

Any actions on attributes that exist in the prepare queue shall proceed as if the prepare queue did not exist, and the prepare queue shall be unaffected by these actions. A subsequent execute write will write the values in the prepare queue even if the value of the attribute has changed since the prepare writes were started.

The Attribute Protocol makes no determination on the validity of the Part Attribute Value or the Value Offset. A higher layer specification determines the meaning of the data.

Each ATT_PREPARE_WRITE_REQ PDU will be queued even if the attribute handle is the same as a previous ATT_PREPARE_WRITE_REQ PDU. These will then be executed in the order received, causing multiple writes for this attribute to occur.

If all ATT bearers belonging to the same client are lost while a number of pending prepare write values have been queued, the queue will be cleared and no writes will be executed.

Parameter	Size (octets)	Description
Attribute Opcode	1	0x16 = ATT_PREPARE_WRITE_REQ PDU
Attribute Handle	2	The handle of the attribute to be written
Value Offset	2	The offset of the first octet to be written
Part Attribute Value	0 to (ATT_MTU-5)	The value of the attribute to be written

Table 3.34: Format of ATT_PREPARE_WRITE_REQ PDU

The Attribute Handle parameter shall be set to a valid handle.



The Value Offset parameter shall be set to the offset of the first octet where the Part Attribute Value parameter is to be written within the attribute value. The Value Offset parameter is based from zero; the first octet has an offset of zero, the second octet has an offset of one, etc.

The server shall respond with an ATT_PREPARE_WRITE_RSP PDU if the handle is valid, the attribute has sufficient permissions to allow writing at this time, and the prepare queue has sufficient space.

Note: The Attribute Value validation is done when an ATT_EXECUTE_WRITE_REQ PDU is received. Hence, any *Invalid Offset (0x07)* or *Invalid Attribute Value Length (0x0D)* errors are generated when an ATT_EXECUTE_WRITE_REQ PDU is received.

If the client has insufficient authorization to write the requested attribute then an ATT_ERROR_RSP PDU shall be sent with the Error Code parameter set to *Insufficient Authorization (0x08)*.

If the client has insufficient security to write the requested attribute then an ATT_ERROR_RSP PDU shall be sent with the Error Code parameter set to *Insufficient Authentication (0x05)*.

If the client has an encryption key size that is too short to write the requested attribute then an ATT_ERROR_RSP PDU shall be sent with the Error Code parameter set to *Encryption Key Size Too Short (0x0C)*.

If the client has not enabled encryption, and encryption is required to write the requested attribute, then an ATT_ERROR_RSP PDU shall be sent with the Error Code parameter set to *Insufficient Encryption (0x0F)*.

If the server does not have sufficient space to queue this request then an ATT_ERROR_RSP PDU shall be sent with the Error Code parameter set to *Prepare Queue Full (0x09)*.

If the handle is invalid, then an ATT_ERROR_RSP PDU shall be sent with the Error Code parameter set to *Invalid Handle (0x01)*.

If the attribute value cannot be written then an ATT_ERROR_RSP PDU shall be sent with the Error Code parameter set to *Write Not Permitted (0x03)*.

The server shall not change the value of the attribute until an ATT_EXECUTE_WRITE_REQ PDU is received.

If an ATT_PREPARE_WRITE_REQ PDU was invalid, and therefore an ATT_ERROR_RSP PDU has been issued, then this prepared write will be considered to have not been received. All existing prepared writes in the prepare queue shall not be affected by this invalid request.



3.4.6.2 ATT_PREPARE_WRITE_RSP

The ATT_PREPARE_WRITE_RSP PDU is sent in response to a received ATT_PREPARE_WRITE_REQ PDU and acknowledges that the value has been successfully received and placed in the prepare write queue.

Parameter	Size (octets)	Description
Attribute Opcode	1	0x17 = ATT_PREPARE_WRITE_RSP PDU
Attribute Handle	2	The handle of the attribute to be written
Value Offset	2	The offset of the first octet to be written
Part Attribute Value	0 to (ATT_MTU-5)	The value of the attribute to be written

Table 3.35: Format of ATT_PREPARE_WRITE_RSP PDU

The attribute handle shall be set to the same value as in the corresponding ATT_PREPARE_WRITE_REQ PDU.

The value offset and part attribute value shall be set to the same values as in the corresponding ATT_PREPARE_WRITE_REQ PDU.

3.4.6.3 ATT_EXECUTE_WRITE_REQ

The ATT_EXECUTE_WRITE_REQ PDU is used to request the server to write or cancel the write of all the prepared values currently held in the prepare queue from this client. This request shall be handled by the server as an atomic operation.

Parameter	Size (octets)	Description
Attribute Opcode	1	0x18 = ATT_EXECUTE_WRITE_REQ PDU
Flags	1	0x00 – Cancel all prepared writes 0x01 – Immediately write all pending prepared values

Table 3.36: Format of ATT_EXECUTE_WRITE_REQ PDU

When the flags parameter is set to 0x01, all pending prepare write values that are currently queued shall be written in the order they were received in the corresponding ATT_PREPARE_WRITE_REQ PDUs. The queue shall then be cleared and an ATT_EXECUTE_WRITE_RSP PDU shall be sent.

When the flags parameter is set to 0x00 all pending prepare write values shall be discarded for this client. The queue shall then be cleared, and an ATT_EXECUTE_WRITE_RSP PDU shall be sent.



Note: If multiple ATT bearers were used to send the prepare write requests, then the order that writes sent on different ATT bearers are executed is not specified and is not reported to the client. In addition, if the ATT_EXECUTE_WRITE_REQ PDU is sent before the client has received responses to all the prepare write requests, the requests for which the client has not yet received a response might form part of a subsequent write rather than this one; this is also not reported to the client.

If there are no pending prepared write values, then no values are written, and an ATT_EXECUTE_WRITE_RSP PDU shall be sent.

If the prepared Attribute Value exceeds the maximum valid length of the attribute value then all pending prepare write values shall be discarded for this client, the queue shall then be cleared, and an ATT_ERROR_RSP PDU shall be sent with the Error Code parameter set to *Invalid Attribute Value Length* (0x0D).

If the prepare Value Offset is greater than the current length of the attribute value then all pending prepare write values shall be discarded for this client, the queue shall be cleared and then an ATT_ERROR_RSP PDU shall be sent with the Error Code parameter set to *Invalid Offset* (0x07).

If the pending prepared write values cannot be written, due to an application error, the queue shall be cleared and then an ATT_ERROR_RSP PDU shall be sent with a higher layer specification defined error code. The Attribute Handle In Error parameter shall be set to the attribute handle of the attribute from the prepare queue that caused this application error. The state of the attributes that were to be written from the prepare queue is not defined in this case.

3.4.6.4 ATT_EXECUTE_WRITE_RSP

The ATT_EXECUTE_WRITE_RSP PDU is sent in response to a received ATT_EXECUTE_WRITE_REQ PDU.

Parameter	Size	Description
Attribute Opcode	1	0x19 - ATT_EXECUTE_WRITE_RSP PDU

Table 3.37: Format of ATT_EXECUTE_WRITE_RSP PDU

The ATT_EXECUTE_WRITE_RSP PDU shall be sent after the attributes are written. In case an action is taken in response to the write, an indication may be used once the action is complete.



3.4.7 Server initiated

3.4.7.1 ATT_HANDLE_VALUE_NTF

A server can send a notification of an attribute’s value at any time.

Parameter	Size (octets)	Description
Attribute Opcode	1	0x1B = ATT_HANDLE_VALUE_-NTF PDU
Attribute Handle	2	The handle of the attribute
Attribute Value	0 to (ATT_MTU-3)	The current value of the attribute

Table 3.38: Format of ATT_HANDLE_VALUE_NTF PDU

The attribute handle shall be set to a valid handle.

The attribute value shall be set to the current value of attribute identified by the attribute handle.

If the attribute value is longer than (ATT_MTU-3) octets, then only the first (ATT_MTU-3) octets of this attributes value can be sent in a notification.

Note: For a client to get a long attribute, it must use the ATT_READ_BLOB_-REQ PDU (see Section 3.4.4.5) following the receipt of this notification.

If the attribute handle or the attribute value is invalid, then this notification shall be ignored upon reception.

3.4.7.2 ATT_HANDLE_VALUE_IND

A server can send an indication of an attribute’s value.

Parameter	Size (octets)	Description
Attribute Opcode	1	0x1D = ATT_HANDLE_VALUE_-IND PDU
Attribute Handle	2	The handle of the attribute
Attribute Value	0 to (ATT_MTU-3)	The current value of the attribute

Table 3.39: Format of ATT_HANDLE_VALUE_IND PDU

The attribute handle shall be set to a valid handle.

The attribute value shall be set to the current value of attribute identified by the attribute handle.



If the attribute value is longer than (ATT_MTU-3) octets, then only the first (ATT_MTU - 3) octets of this attributes value can be sent in an indication.

Note: For a client to get a long attribute, it must use the ATT_READ_BLOB_REQ PDU (see Section 3.4.4.5) following the receipt of this indication.

The client shall send an ATT_HANDLE_VALUE_CFM PDU in response to an ATT_HANDLE_VALUE_IND PDU. No further indications to this client shall occur until the confirmation has been received by the server.

If the attribute handle or the attribute value is invalid, the client shall send an ATT_HANDLE_VALUE_CFM PDU in response and shall discard the handle and value from the received indication.

3.4.7.3 ATT_HANDLE_VALUE_CFM

The ATT_HANDLE_VALUE_CFM PDU is sent in response to a received ATT_HANDLE_VALUE_IND PDU and confirms that the client has received an indication of the given attribute.

Parameter	Size (octets)	Description
Attribute Opcode	1	0x1E = ATT_HANDLE_VALUE_CFM PDU

Table 3.40: Format of ATT_HANDLE_VALUE_CFM PDU

3.4.7.4 ATT_MULTIPLE_HANDLE_VALUE_NTF

A server can send a notification of two or more attributes' values at any time.

Parameter	Size (octets)	Description
Attribute Opcode	1	0x23 = ATT_MULTIPLE_HANDLE_VALUE_NTF
Handle Length Value Tuple List	8 to (ATT_MTU-1)	A list of Handle Length Value Tuples

Table 3.41: Format of ATT_MULTIPLE_HANDLE_VALUE_NTF PDU

The Handle Length Value Tuple List shall be a concatenation of Handle Length Value Tuples for each of the attributes being notified.

The server shall not truncate a Handle Length Value Tuple.

The Attribute Handle field in a Handle Length Value Tuple shall be set to the handle of the attribute being notified. The Value Length field in a Handle Length Value Tuple shall be set to the length of the Attribute Value field. The Attribute



Value field in a Handle Length Value Tuple shall be set to the value of the attribute being notified.

Attribute Handle	Value Length	Attribute Value
2 octets	2 octets	(Value Length) octets

Table 3.42: Format of the Handle Length Value Tuple

If an attribute handle or an attribute value is invalid, then the client shall ignore that attribute when receiving this notification.

3.4.8 Attribute Opcode summary

Table 3.43 gives a summary of the Attribute Protocol PDUs.

Attribute PDU Name	Attribute Opcode	Parameters
ATT_ERROR_RSP	0x01	Request Opcode in Error, Attribute Handle In Error, Error Code
ATT_EXCHANGE_MTU_REQ	0x02	Client Rx MTU
ATT_EXCHANGE_MTU_RSP	0x03	Server Rx MTU
ATT_FIND_INFORMATION_REQ	0x04	Starting Handle, Ending Handle
ATT_FIND_INFORMATION_RSP	0x05	Format, Information Data
ATT_FIND_BY_TYPE_VALUE_REQ	0x06	Starting Handle, Ending Handle, Attribute Type, Attribute Value
ATT_FIND_BY_TYPE_VALUE_RSP	0x07	Handles Information List
ATT_READ_BY_TYPE_REQ	0x08	Starting Handle, Ending Handle, UUID
ATT_READ_BY_TYPE_RSP	0x09	Length, Attribute Data List
ATT_READ_REQ	0x0A	Attribute Handle
ATT_READ_RSP	0x0B	Attribute Value
ATT_READ_BLOB_REQ	0x0C	Attribute Handle, Value Offset
ATT_READ_BLOB_RSP	0x0D	Part Attribute Value
ATT_READ_MULTIPLE_REQ	0x0E	Handle Set

Table 3.43: Attribute Protocol summary



Attribute PDU Name	Attribute Opcode	Parameters
ATT_READ_MULTIPLE_RSP	0x0F	Value Set
ATT_READ_BY_GROUP_TYPE_REQ	0x10	Start Handle, Ending Handle, UUID
ATT_READ_BY_GROUP_TYPE_RSP	0x11	Length, Attribute Data List
ATT_WRITE_REQ	0x12	Attribute Handle, Attribute Value
ATT_WRITE_RSP	0x13	<i>none</i>
ATT_WRITE_CMD	0x52	Attribute Handle, Attribute Value
ATT_PREPARE_WRITE_REQ	0x16	Attribute Handle, Value Offset, Part Attribute Value
ATT_PREPARE_WRITE_RSP	0x17	Attribute Handle, Value Offset, Part Attribute Value
ATT_EXECUTE_WRITE_REQ	0x18	Flags
ATT_EXECUTE_WRITE_RSP	0x19	<i>none</i>
ATT_READ_MULTIPLE_VARIABLE_REQ	0x20	Set Of Handles
ATT_READ_MULTIPLE_VARIABLE_RSP	0x21	Length Value Tuple List
ATT_MULTIPLE_HANDLE_VALUE_NTF	0x23	Handle Length Value Tuple List
ATT_HANDLE_VALUE_NTF	0x1B	Attribute Handle, Attribute Value
ATT_HANDLE_VALUE_IND	0x1D	Attribute Handle, Attribute Value
ATT_HANDLE_VALUE_CFM	0x1E	<i>none</i>
ATT_SIGNED_WRITE_CMD	0xD2	Attribute Handle, Attribute Value, Authentication Signature

Table 3.43: Attribute Protocol summary

3.4.9 Attribute PDU response summary

Table 3.44 gives a summary of the Attribute PDU Method responses that are allowed. Each method indicates the method that should be sent as a successful response, and whether an ATT_ERROR_RSP PDU can be sent in response instead. If an ATT_ERROR_RSP PDU can be sent, then Table 3.44



also indicates the error codes that are valid within this ATT_ERROR_RSP PDU for the given method.

Attribute PDU Method	Successful Response PDU	ATT_ERROR_RSP Allowed	Valid Error Codes
ATT_EXCHANGE_MTU_REQ	ATT_EXCHANGE_MTU_RSP	Yes	<i>Request Not Supported (0x06)</i>
ATT_FIND_INFORMATION_REQ	ATT_FIND_INFORMATION_RSP	Yes	<i>Invalid Handle (0x01), Attribute Not Found (0x0A)</i>
ATT_FIND_BY_TYPE_VALUE_REQ	ATT_FIND_BY_TYPE_VALUE_RSP	Yes	<i>Invalid Handle (0x01), Request Not Supported (0x06), Attribute Not Found (0x0A)</i>
ATT_READ_BY_TYPE_REQ	ATT_READ_BY_TYPE_RSP	Yes	<i>Invalid Handle (0x01), Database Out of Sync (0x12), Request Not Supported (0x06), Attribute Not Found (0x0A), Insufficient Authorization (0x08), Insufficient Authentication (0x05), Insufficient Encryption (0x0F), Encryption Key Size Too Short (0x0C), Read Not Permitted (0x02), Application Error (0x80 to 0x9F), Common Profile and Service Error Codes (0xE0 to 0xFF)</i>
ATT_READ_REQ	ATT_READ_RSP	Yes	<i>Invalid Handle (0x01), Database Out Of Sync (0x12), Insufficient Authorization (0x08), Insufficient Authentication (0x05), Insufficient Encryption (0x0F), Encryption Key Size Too Short (0x0C), Read Not Permitted (0x02), Application Error (0x80 to 0x9F), Common Profile and Service Error Codes (0xE0 to 0xFF)</i>

Table 3.44: Attribute request and response summary (Sheet 1 of 4)



Attribute PDU Method	Successful Response PDU	ATT_ERROR_RSP Allowed	Valid Error Codes
ATT_READ_-BLOB_REQ	ATT_READ_-BLOB_RSP	Yes	Invalid Handle (0x01), Database Out Of Sync (0x12), Request Not Supported (0x06), Insufficient Authorization (0x08), Insufficient Authentication (0x05), Insufficient Encryption (0x0F), Encryption Key Size Too Short (0x0C), Read Not Permitted (0x02), Invalid Offset (0x07), Attribute Not Long (0x0B), Application Error (0x80 to 0x9F), Common Profile and Service Error Codes (0xE0 to 0xFF)
ATT_READ_-MULTIPLE_REQ	ATT_READ_-MULTIPLE_RSP	Yes	Invalid Handle (0x01), Database Out Of Sync (0x12), Request Not Supported (0x06), Insufficient Authorization (0x08), Insufficient Authentication (0x05), Insufficient Encryption (0x0F), Encryption Key Size Too Short (0x0C), Read Not Permitted (0x02), Application Error (0x80 to 0x9F), Common Profile and Service Error Codes (0xE0 to 0xFF)

Table 3.44: Attribute request and response summary (Sheet 2 of 4)



Attribute PDU Method	Successful Response PDU	ATT_ERROR_RSP Allowed	Valid Error Codes
ATT_READ_BY_GROUP_TYPE_REQ	ATT_READ_BY_GROUP_TYPE_RSP	Yes	Invalid Handle (0x01), Request Not Supported (0x06), Attribute Not Found (0x0A), Insufficient Authorization (0x08), Insufficient Authentication (0x05), Insufficient Encryption (0x0F), Encryption Key Size Too Short (0x0C), Read Not Permitted (0x02), Unsupported Group Type (0x10), Application Error (0x80 to 0x9F), Common Profile and Service Error Codes (0xE0 to 0xFF)
ATT_READ_MULTIPLE_VARIABLE_REQ	ATT_READ_MULTIPLE_VARIABLE_RSP	Yes	Invalid Handle (0x01), Database Out Of Sync (0x12), Request Not Supported (0x06), Insufficient Authorization (0x08), Insufficient Authentication (0x05), Insufficient Encryption (0x0F), Encryption Key Size Too Short (0x0C), Read Not Permitted (0x02), Application Error (0x80 to 0x9F), Common Profile and Service Error Codes (0xE0 to 0xFF)
ATT_WRITE_REQ	ATT_WRITE_RSP	Yes	Invalid Handle (0x01), Database Out Of Sync (0x12), Request Not Supported (0x06), Insufficient Authorization (0x08), Insufficient Authentication (0x05), Insufficient Encryption (0x0F), Encryption Key Size Too Short (0x0C), Write Not Permitted (0x03), Invalid Attribute Value Length (0x0D), Application Error (0x80 to 0x9F), Common Profile and Service Error Codes (0xE0 to 0xFF)

Table 3.44: Attribute request and response summary (Sheet 3 of 4)



Attribute PDU Method	Successful Response PDU	ATT_ERROR_RSP Allowed	Valid Error Codes
ATT_WRITE_CMD	<i>none</i>	No	<i>none</i>
ATT_SIGNED_WRITE_CMD	<i>none</i>	No	<i>none</i>
ATT_PREPARE_WRITE_REQ	ATT_PREPARE_WRITE_RSP	Yes	Invalid Handle (0x01), Database Out Of Sync (0x12), Request Not Supported (0x06), Insufficient Authorization (0x08), Insufficient Authentication (0x05), Write Not Permitted (0x03), Prepare Queue Full (0x09), Insufficient Encryption (0x0F), Encryption Key Size Too Short (0x0C), Application Error (0x80 to 0x9F), Common Profile and Service Error Codes (0xE0 to 0xFF)
ATT_EXECUTE_WRITE_REQ	ATT_EXECUTE_WRITE_RSP	Yes	Application Error (0x80 to 0x9F), Common Profile and Service Error Codes (0xE0 to 0xFF), Invalid Offset (0x07), Invalid Attribute Value Length (0x0D)
ATT_HANDLE_VALUE_NTF	<i>none</i>	No	<i>none</i>
ATT_HANDLE_VALUE_IND	ATT_HANDLE_VALUE_CFM	No	<i>none</i>
ATT_MULTIPLE_HANDLE_VALUE_NTF	<i>none</i>	No	<i>none</i>

Table 3.44: Attribute request and response summary (Sheet 4 of 4)



4 SECURITY CONSIDERATIONS

The Attribute Protocol can be used to access information that may require both authorization and an authenticated and encrypted physical link before an attribute can be read or written.

If such a request is issued when the client has not been authorized to access this information, the server shall send an ATT_ERROR_RSP PDU with the Error Code parameter set to *Insufficient Authorization* (0x08). The authorization requirements for access to a given attribute are not defined in this Part. Each device implementation will determine how authorization occurs. Authorization procedures are defined in GAP, and may be further refined in a higher layer specification.

If such a request is issued when the physical link is unauthenticated, the server shall send an ATT_ERROR_RSP PDU with the Error Code parameter set to *Insufficient Authentication* (0x05). A client wanting to read or write this attribute can then request that the physical link be authenticated, and once this has been completed, send the request again.

The Attribute Protocol can be used to notify or indicate the value of an attribute that may require an authenticated and encrypted physical link before an attribute notification or indication is performed. A server wanting to notify or indicate this attribute can then request that the physical link be authenticated, and once this has been completed, send the notification or indication.

The list of attributes that a device supports is not considered private or confidential information, and therefore the ATT_FIND_INFORMATION_REQ PDU shall always be permitted. This implies that the error code *Insufficient Authorization* (0x08) or *Insufficient Authentication* (0x05) shall not be used in an ATT_ERROR_RSP PDU for an ATT_FIND_INFORMATION_REQ PDU.

For example, an attribute value may be allowed to be read by any device, but only written by an authenticated device. An implementation should take this into account, and not assume that just because it can read an attribute's value, it will also be able to write the value. Similarly, just because an attribute value can be written, does not mean that an attribute value can also be read. Each individual attribute could have different security requirements.

When a client accesses an attribute, the order of checks that are performed on the server will have security implications. A server shall check authentication and authorization requirements before any other check is performed.

Note: For example, if the authentication and authorization requirement checks are not performed first then the size of an attribute could be determined by sending repeated ATT_READ_BLOB_REQ PDUs for an attribute that a client does not have access to, because either the error code *Invalid Offset* (0x07) or *Insufficient Authentication* (0x05) would be returned.



5 REFERENCES

- [1] Core Specification Supplement, Part B, Common Profile and Service Error Codes



APPENDIX A CHANGES TO PDU NAMES

Previous versions of this specification used different names for the PDUs defined in [Section 3.4](#). [Table A.1](#) shows the previous and current names of these PDUs.

Previous name	Current name
Error Response	ATT_ERROR_RSP
Exchange MTU Request	ATT_EXCHANGE_MTU_REQ
Exchange MTU Response	ATT_EXCHANGE_MTU_RSP
Execute Write Request	ATT_EXECUTE_WRITE_REQ
Execute Write Response	ATT_EXECUTE_WRITE_RSP
Find By Type Value Request	ATT_FIND_BY_TYPE_VALUE_REQ
Find By Type Value Response	ATT_FIND_BY_TYPE_VALUE_RSP
Find Information Request	ATT_FIND_INFORMATION_REQ
Find Information Response	ATT_FIND_INFORMATION_RSP
Handle Value Confirmation	ATT_HANDLE_VALUE_CFM
Handle Value Indication	ATT_HANDLE_VALUE_IND
Handle Value Notification	ATT_HANDLE_VALUE_NTF
Prepare Write Request	ATT_PREPARE_WRITE_REQ
Prepare Write Response	ATT_PREPARE_WRITE_RSP
Read Blob Request	ATT_READ_BLOB_REQ
Read Blob Response	ATT_READ_BLOB_RSP
Read by Group Type Request	ATT_READ_BY_GROUP_TYPE_REQ
Read by Group Type Response	ATT_READ_BY_GROUP_TYPE_RSP
Read By Type Request	ATT_READ_BY_TYPE_REQ
Read By Type Response	ATT_READ_BY_TYPE_RSP
Read Multiple Request	ATT_READ_MULTIPLE_REQ
Read Multiple Response	ATT_READ_MULTIPLE_RSP
Read Request	ATT_READ_REQ
Read Response	ATT_READ_RSP
Signed Write Command	ATT_SIGNED_WRITE_CMD
Write Command	ATT_WRITE_CMD

Table A.1: Changes to PDU names

Attribute Protocol (ATT)

Previous name	Current name
Write Request	ATT_WRITE_REQ
Write Response	ATT_WRITE_RSP

Table A.1: Changes to PDU names

GENERIC ATTRIBUTE PROFILE (GATT)

This Part defines the Generic Attribute Profile that describes a service framework using the Attribute Protocol for discovering services, and for reading and writing characteristic values on a peer device.



CONTENTS

1	Introduction	1459
1.1	Scope	1459
1.2	Profile dependency	1459
1.3	Conformance	1459
1.4	[This section is no longer used]	1459
1.5	Conventions.....	1460
2	Profile overview	1461
2.1	Protocol stack	1461
2.2	Configurations and roles.....	1461
2.3	User requirements and scenarios.....	1462
2.4	Profile fundamentals.....	1462
2.5	Attribute Protocol	1463
2.5.1	Overview	1463
2.5.2	Attribute caching	1464
2.5.2.1	Robust Caching.....	1466
2.5.3	Attribute grouping.....	1470
2.5.4	UUIDs	1470
2.6	GATT Profile hierarchy	1470
2.6.1	Overview	1470
2.6.2	Service	1471
2.6.3	Included services	1472
2.6.4	Characteristic.....	1472
2.7	Configured Broadcast.....	1473
3	Service interoperability requirements	1474
3.1	Service definition	1474
3.2	Include definition.....	1475
3.3	Characteristic definition	1475
3.3.1	Characteristic declaration	1476
3.3.1.1	Characteristic Properties	1477
3.3.1.2	Characteristic Value Attribute Handle	1477
3.3.1.3	Characteristic UUID.....	1478
3.3.2	Characteristic Value declaration	1478
3.3.3	Characteristic descriptor declarations.....	1478
3.3.3.1	Characteristic Extended Properties	1479
3.3.3.2	Characteristic User Description.....	1479
3.3.3.3	Client Characteristic Configuration	1480
3.3.3.4	Server Characteristic Configuration	1481
3.3.3.5	Characteristic Presentation Format.....	1482
3.3.3.6	Characteristic Aggregate Format.....	1484



- 3.4 Summary of GATT Profile attribute types 1485
- 4 GATT feature requirements..... 1486**
 - 4.1 Overview 1486
 - 4.2 Feature support and procedure mapping 1486
 - 4.3 Server configuration 1488
 - 4.3.1 Exchange MTU 1488
 - 4.4 Primary Service Discovery..... 1489
 - 4.4.1 Discover All Primary Services 1489
 - 4.4.2 Discover Primary Service by Service UUID 1490
 - 4.5 Relationship Discovery 1491
 - 4.5.1 Find Included Services..... 1492
 - 4.6 Characteristic discovery 1493
 - 4.6.1 Discover All Characteristics of a Service 1493
 - 4.6.2 Discover Characteristics by UUID..... 1495
 - 4.7 Characteristic Descriptor Discovery..... 1496
 - 4.7.1 Discover All Characteristic Descriptors 1496
 - 4.8 Characteristic Value Read 1497
 - 4.8.1 Read Characteristic Value 1497
 - 4.8.2 Read Using Characteristic UUID 1498
 - 4.8.3 Read Long Characteristic Values..... 1499
 - 4.8.4 Read Multiple Characteristic Values 1500
 - 4.8.5 Read Multiple Variable Length Characteristic Values 1501
 - 4.9 Characteristic Value Write 1502
 - 4.9.1 Write Without Response 1502
 - 4.9.2 Signed Write Without Response 1503
 - 4.9.3 Write Characteristic Value..... 1503
 - 4.9.4 Write Long Characteristic Values 1504
 - 4.9.5 Reliable Writes 1505
 - 4.10 Characteristic Value Notification 1507
 - 4.10.1 Single Notifications 1508
 - 4.10.2 Multiple Variable Length Notifications 1508
 - 4.11 Characteristic Value Indications..... 1508
 - 4.11.1 Indications..... 1509
 - 4.12 Characteristic Descriptors..... 1509
 - 4.12.1 Read Characteristic Descriptors 1509
 - 4.12.2 Read Long Characteristic Descriptors 1510
 - 4.12.3 Write Characteristic Descriptors 1511
 - 4.12.4 Write Long Characteristic Descriptors 1512
 - 4.13 GATT procedure mapping to ATT protocol opcodes..... 1513



4.14 Procedure timeouts 1516

5 L2CAP interoperability requirements 1517

5.1 BR/EDR L2CAP interoperability requirements 1517

5.1.1 ATT_MTU..... 1517

5.1.2 BR/EDR channel requirements..... 1517

5.1.3 [This section is no longer used] 1517

5.2 LE L2CAP interoperability requirements..... 1518

5.2.1 ATT_MTU..... 1518

5.2.2 LE channel requirements 1518

5.3 Enhanced ATT bearer L2CAP interoperability requirements . 1519

5.3.1 ATT_MTU..... 1519

5.3.2 Channel Requirements 1519

5.4 L2CAP collision mitigation 1519

5.5 Bearer support..... 1520

6 GAP interoperability requirements 1521

6.1 BR/EDR GAP interoperability requirements 1521

6.1.1 Connection Establishment 1521

6.2 LE GAP interoperability requirements 1521

6.2.1 Connection Establishment 1521

6.2.2 Profile roles 1522

6.3 Disconnected events 1522

6.3.1 Notifications and indications while disconnected 1522

7 Defined Generic Attribute Profile service 1523

7.1 Service Changed 1523

7.2 Client Supported Features..... 1524

7.3 Database Hash..... 1526

7.3.1 Database Hash calculation 1527

7.4 Server Supported Features 1528

8 Security considerations 1529

8.1 Authentication requirements..... 1529

8.2 Authorization requirements..... 1530

9 SDP interoperability requirements 1531

10 References 1533

Appendix A Example ATT Server contents 1534

Appendix B Example Database Hash 1537

1 INTRODUCTION

1.1 SCOPE

The Generic Attribute profile (GATT) defines a service framework using the Attribute Protocol. This framework defines procedures and formats of services and their characteristics. The procedures defined include discovering, reading, writing, notifying and indicating characteristics, as well as configuring the broadcast of characteristics.

1.2 PROFILE DEPENDENCY

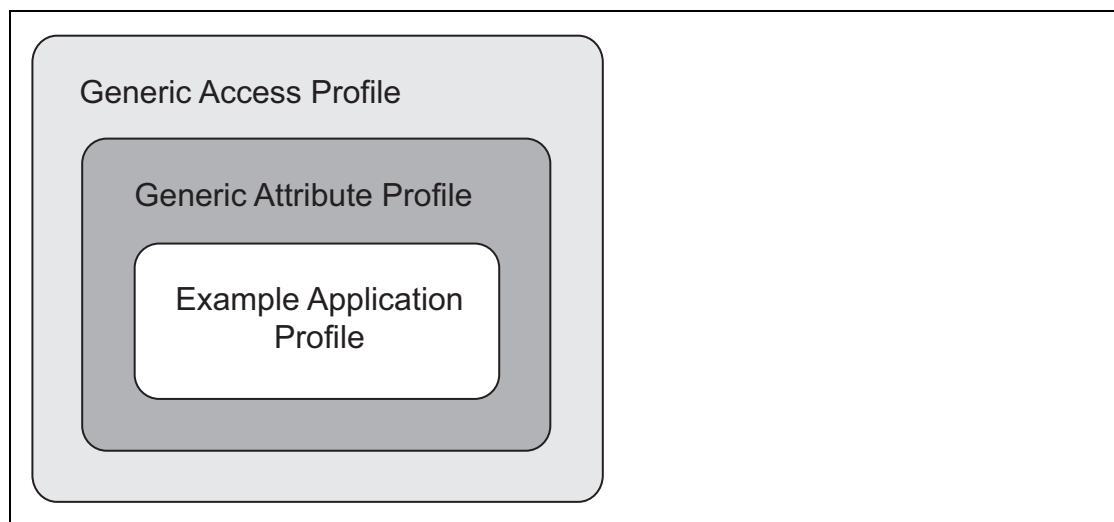


Figure 1.1: Profile dependencies

Figure 1.1 depicts the structure and the dependencies of the profiles. A profile is dependent upon another profile if it re-uses parts of that profile by implicitly or explicitly referencing it.

1.3 CONFORMANCE

If conformance to this profile is claimed, all capabilities indicated as mandatory for this profile shall be supported in the specified manner (process-mandatory). This also applies for all optional and conditional capabilities for which support is indicated. All mandatory capabilities, and optional and conditional capabilities for which support is indicated, are subject to verification as part of the Bluetooth qualification program.

1.4 [THIS SECTION IS NO LONGER USED]



1.5 CONVENTIONS

In this Part the use of literal terms such as procedure, PDUs, opcodes, or function names appear in italics. Specific names of fields in structures, packets, etc. also appear in italics. The use of « » (e.g. «Primary Service») indicates a UUID. Attribute Protocol error codes (see [\[Vol 3\] Part F, Table 3.4](#)) appear in italics followed by the numeric error code.

2 PROFILE OVERVIEW

The GATT profile is designed to be used by an application or another profile, so that a client can communicate with a server. The server contains a number of attributes, and the GATT Profile defines how to use the Attribute Protocol to discover, read, write and obtain indications of these attributes, as well as configuring broadcast of attributes.

2.1 PROTOCOL STACK

Figure 2.1 shows the peer protocols used by this profile.

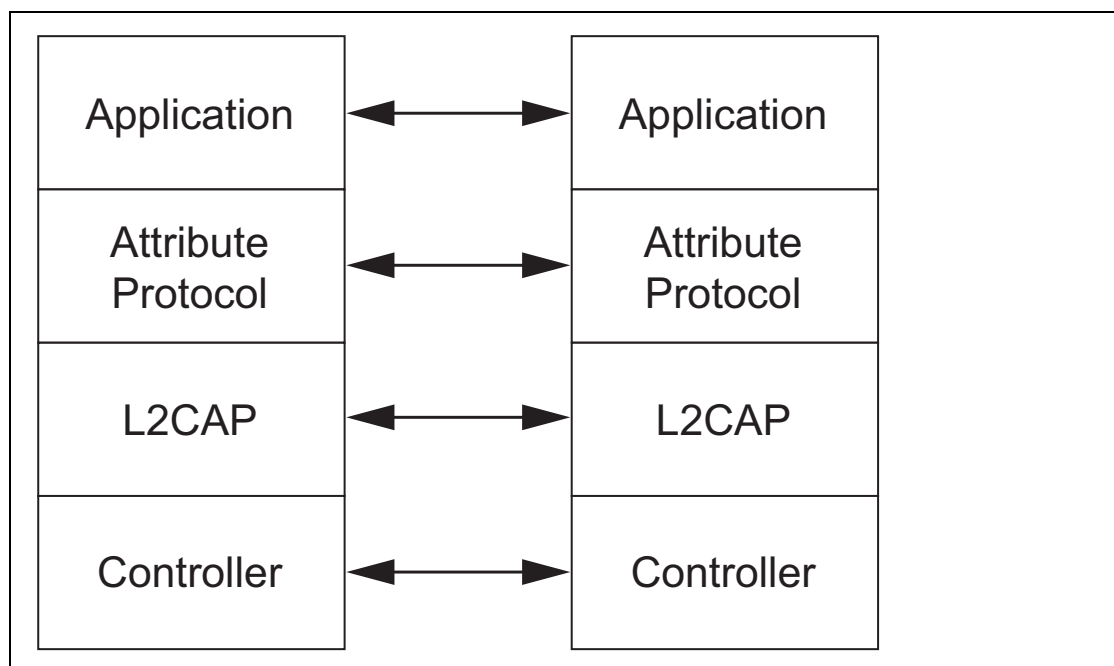


Figure 2.1: Protocol model

2.2 CONFIGURATIONS AND ROLES

The following roles are defined for devices that implement this profile:

Client—This is the device that initiates commands and requests towards the server and can receive responses, indications and notifications sent by the server.

Server—This is the device that accepts incoming commands and requests from the client and sends responses, indications and notifications to a client.

Note: The roles are not fixed to the device. The roles are determined when a device initiates a defined procedure, and they are released when the procedure ends.



A device can act in both roles at the same time.

An example of configurations illustrating the roles for this profile is depicted in [Figure 2.2](#).

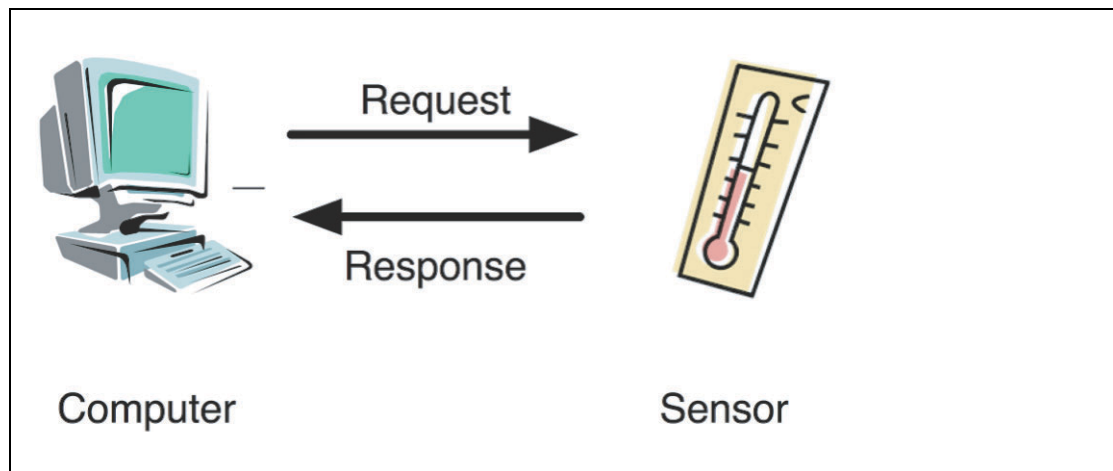


Figure 2.2: Examples of configuration

In [Figure 2.2](#), the computer is the temperature service client and the sensor is the temperature service server. The computer initiates procedures to configure the sensor or to read the sensor values. In this example the sensor provides information about the characteristics the sensor device exposes as part of the temperature service and may permit some characteristics to be written. Also, the sensor responds to read requests with the appropriate values.

2.3 USER REQUIREMENTS AND SCENARIOS

The following scenarios are covered by this profile:

- Exchanging configuration
- Discovery of services and characteristics on a device
- Reading a characteristic value
- Writing a characteristic value
- Notification of a characteristic value
- Indication of a characteristic value

2.4 PROFILE FUNDAMENTALS

This profile can be used over any physical link, using the Attribute Protocol L2CAP channel, known as the ATT Bearer. Here is a brief summary of lower layer requirements communication between the client and the server.

- An ATT bearer is established using “Channel Establishment” as defined in [Section 6](#).



- The profile roles are not tied to the Controller roles (i.e. Central or Peripheral).
- On an LE Physical link, use of security features such as authorization, authentication and encryption are optional. On a BR/EDR physical link encryption is mandatory.
- Multi-octet fields within the GATT profile shall be sent least significant octet first (little-endian) with the exception of the Characteristic Value field. The Characteristic Value and any fields within it shall be little-endian unless otherwise defined in the specification which defines the characteristic.
- Multiple ATT bearers may be established between a client and a server. The server can determine if ATT bearers are from the same client, and vice versa, by using connection information such as the Bluetooth Device Address of the peer device.

2.5 ATTRIBUTE PROTOCOL

The GATT profile requires the implementation of the Attribute Protocol (See [Vol 3] Part F) and those Attribute Protocol PDUs required by Section 4.2 and Section 4.13.

2.5.1 Overview

The GATT Profile uses the Attribute Protocol to transport data in the form of commands, requests, responses, indications, notifications and confirmations between devices. This data is contained in Attribute Protocol PDUs as specified in Figure 2.3.

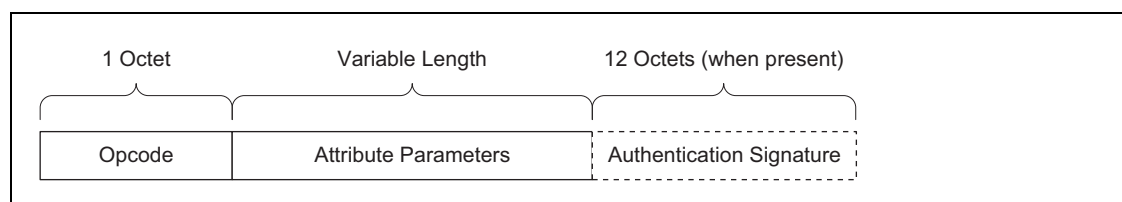


Figure 2.3: Attribute Protocol PDU

The *Opcode* contains the specific command, request, response, indication, notification or confirmation opcode and a flag for authentication. The *Attribute Parameters* contain data for the specific command or request or the data returned in a response, indication, or notification. The *Authentication Signature* is optional and is described in [Vol 3] Part H, Section 2.4.5.

Attribute Protocol commands and requests act on values stored in Attributes on the server device. An Attribute is composed of four parts: *Attribute Handle*, *Attribute Type*, *Attribute Value*, and *Attribute Permissions*. Figure 2.4 shows a logical representation of an Attribute. The actual representation for a given implementation is specific to that implementation.

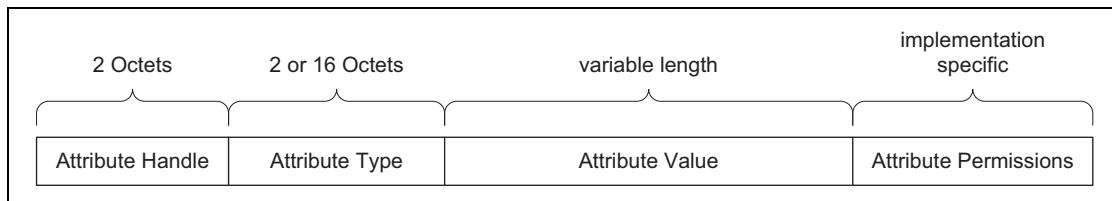


Figure 2.4: Logical attribute representation

The *Attribute Handle* is an index corresponding to a specific Attribute. The *Attribute Type* is a UUID that describes the *Attribute Value*. The *Attribute Value* is the data described by the *Attribute Type* and indexed by the *Attribute Handle*. The Attributes are ordered by increasing *Attribute Handle* values. *Attribute Handle* values may begin at any value between 0x0001 and 0xFFFF. Although the *Attribute Handle* values are in increasing order, following *Attribute Handle* values may differ by more than one. That is to say there may be gaps between successive *Attribute Handles*. When the specification requires two attribute handles to be adjacent or for one to immediately follow one the other, such gaps are still permitted and shall be ignored.

Attribute Permissions is part of the Attribute that cannot be read from or written to using the Attribute Protocol. It is used by the server to determine whether read or write access is permitted for a given attribute. *Attribute Permissions* are established by the GATT profile, a higher layer profile or are implementation specific if not specified.

2.5.2 Attribute caching

Attribute caching is an optimization that allows the client to discover the Attribute information such as *Attribute Handles* used by the server once and use the same Attribute information across reconnections without rediscovery. If the client does not cache the Attribute information, then it must rediscover the *Attribute* information at each reconnection. With caching, time is saved and a significant number of packets need not be exchanged between the client and server. The Attribute information that shall be cached by a client is the *Attribute Handles* of all server attributes and the GATT service characteristics values.

Attribute Handles used by the server should not change over time. This means that once an *Attribute Handle* is discovered by a client the *Attribute Handle* for that Attribute should not be changed.

Some circumstances may cause servers to change the *Attribute Handles* used for services, perhaps due to a factory reset or a firmware upgrade procedure being performed. The following is only required on the server if the services on the server can be added, modified or removed. If GATT based services on the server cannot be changed during the usable lifetime of the device, the *Service Changed* characteristic shall not exist on the server and the client does not need to ever perform service discovery after the initial service discovery for that server.



To support caching when a server supports changes in GATT based services, an indication is sent by the server to clients when a service is added, removed, or modified on the server. A client may also detect a service change by reading the *Database Hash* characteristic if that characteristic exists on the server. A GATT based service is considered modified if the binding of the *Attribute Handles* to the associated *Attributes* grouped within a service definition are changed. Any change to the GATT service definition characteristic values other than the *Service Changed* characteristic value and the *Client Supported Features* characteristic value themselves shall also be considered a modification.

For clients that have a trusted relationship (i.e. bond) with the server, the attribute cache is valid across connections. For clients with a trusted relationship and not in a connection when a service change occurs, the server shall send an indication when the client reconnects to the server (see [Section 7.1](#)). For clients that do not have a trusted relationship with the server and that do not support reading the *Database Hash* characteristic, the attribute cache is valid only during the connection. Clients without a trusted relationship that do support reading the *Database Hash* characteristic may validate the attribute cache on connection setup. Clients without a trusted relationship shall receive an indication when the service change occurs only during the current connection.

Note: Clients without a trusted relationship that support caching must either perform service discovery or detect service changes by reading the *Database Hash* characteristic on each connection if the server supports the *Service Changed* characteristic.

The server shall send an ATT_HANDLE_VALUE_IND PDU containing the range of affected *Attribute Handles* that shall be considered invalid in the client's attribute cache. The start *Attribute Handle* shall be the start *Attribute Handle* of the service definition containing the change and the end *Attribute Handle* shall be the last *Attribute Handle* of the service definition containing the change. The value in the indication is composed of two 16-bit *Attribute Handles* concatenated to indicate the affected *Attribute Handle* range.

Note: A server may set the affected *Attribute Handle* range to 0x0001 to 0xFFFF to indicate to the client to rediscover the entire set of *Attribute Handles* on the server.

If the *Database Hash* characteristic exists on the server then, each time a service change occurs, the server shall update the *Database Hash* characteristic value with the new Database Hash (see [Section 7.3](#)).

If the *Database Hash* characteristic value has changed since the last time it was read, the client shall consider its attribute cache invalid and shall not make use of the cached information until it has performed service discovery or obtained the changed database definitions using an out-of-band mechanism.



The client, upon receiving an ATT_HANDLE_VALUE_IND PDU containing the range of affected Attribute Handles, shall consider the attribute cache invalid over the affected Attribute Handle range. Any outstanding request transaction shall be considered invalid if the Attribute Handle is contained within the affected Attribute Handle range. The client must perform service discovery before the client uses any service that has an attribute within the affected Attribute Handle range. Alternatively, the client may read the *Database Hash* characteristic and obtain the changed database definitions using an out-of-band mechanism. If the client receives an ATT_HANDLE_VALUE_IND PDU during service discovery and the client has read the *Database Hash* characteristic prior to the service discovery, the client may read the *Database Hash* characteristic again to determine if the current service discovery can be continued or if a new service discovery is required.

Once the server has received the ATT_HANDLE_VALUE_CFM PDU, the server can consider the client to be aware of the updated Attribute Handles.

The client shall consider the affected *Attribute Handle* range to be invalid in its attribute cache and perform the discovery procedures to restore the attribute cache. The server shall store service changed information for all bonded devices.

2.5.2.1 Robust Caching

Robust Caching is a feature where the server sends an ATT_ERROR_RSP PDU to the client if the server does not consider the client to be aware of a service change.

If the *Database Hash* and *Service Changed* characteristics are both present on the server, then the server shall support the Robust Caching feature.

From the perspective of a server, each connected client is either "change-aware" or "change-unaware" regarding changes in the database definitions. After connecting to a server, the initial state of a client without a trusted relationship is change-aware. The initial state of a client with a trusted relationship is unchanged from the previous connection unless the database has been updated since the last connection, in which case the initial state is change-unaware.

Whenever the server updates the database definitions, all connected clients become change-unaware. A change-unaware connected client becomes change-aware when it reads the *Database Hash* characteristic and then the server receives another ATT request from the client. A change-unaware client using multiple ATT bearers shall wait until the server has responded to all



pending requests before reading the *Database Hash* characteristic (see [Figure 2.5](#)).

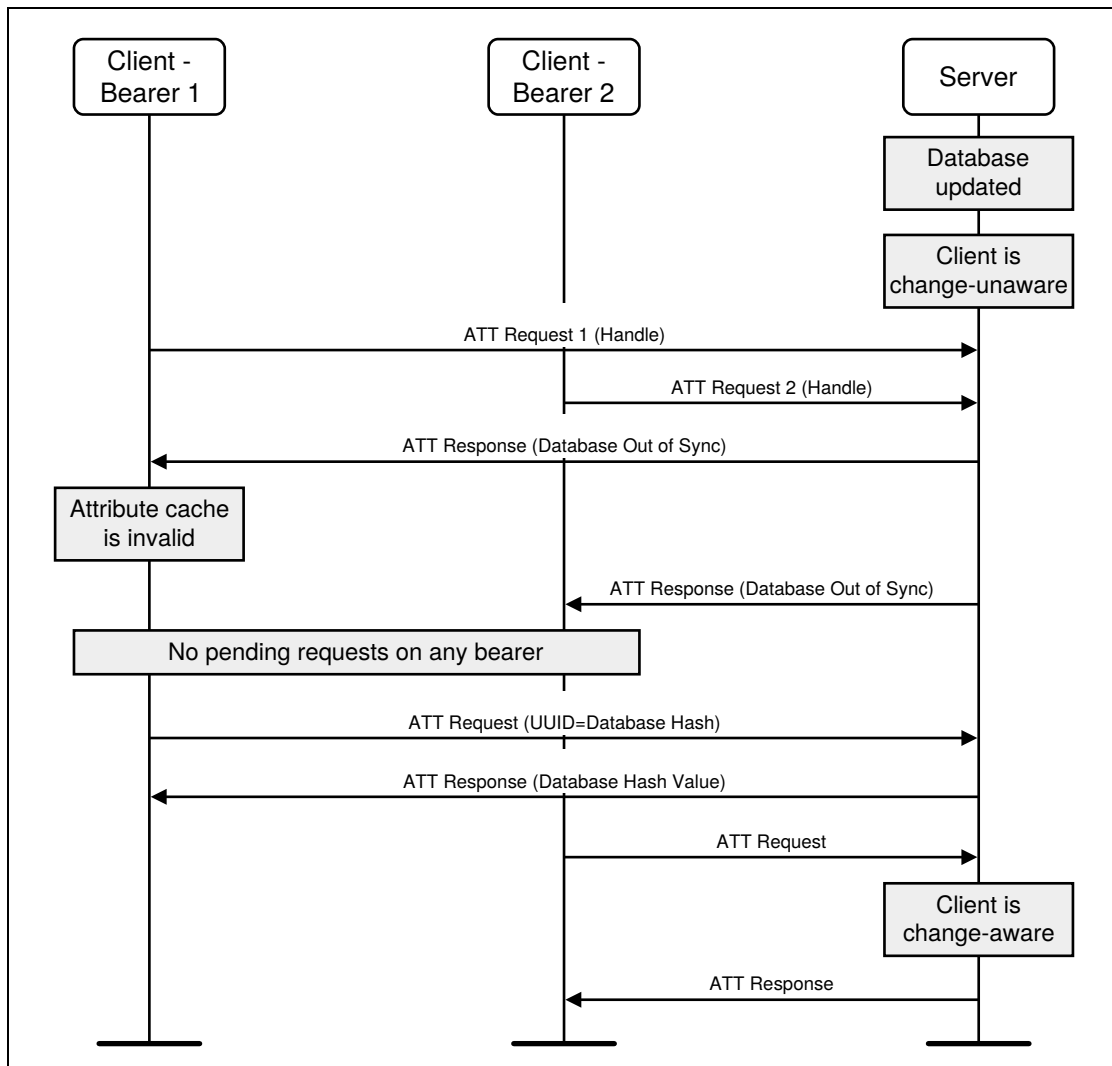


Figure 2.5: Transition to change-aware state for a client using multiple ATT bearers

In addition, a change-unaware connected client using exactly one ATT bearer becomes change-aware when either of the following happen:

- The client receives and confirms a *Handle Value Indication* for the *Service Changed* characteristic (see [Figure 2.6](#)).



- The server sends the client a response with the Error Code parameter set to *Database Out Of Sync* (0x12) and then the server receives another ATT request from the client (see [Figure 2.7](#)).

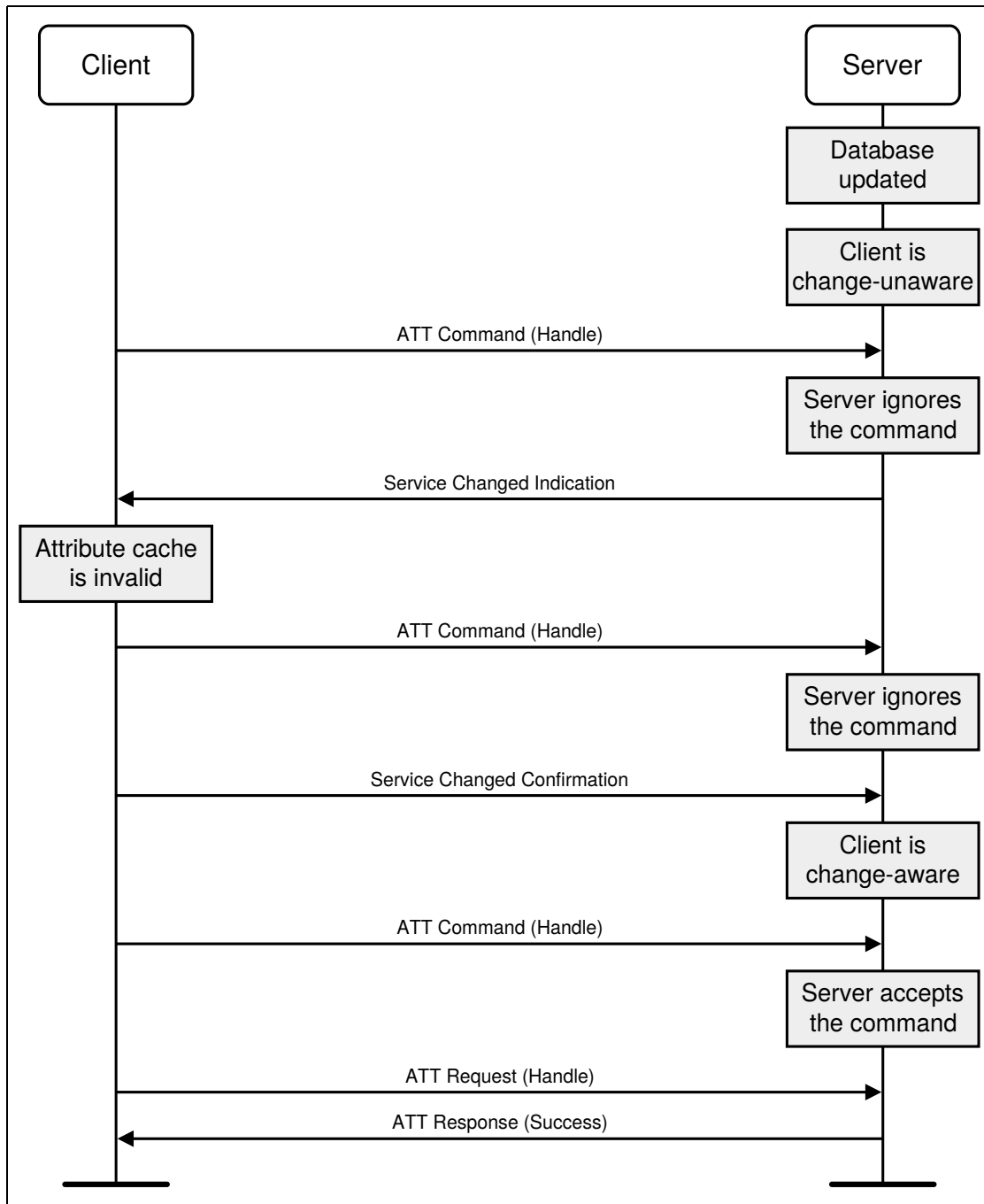


Figure 2.6: Transition to change-aware state for a client using exactly one ATT bearer, triggered by a Service Changed confirmation

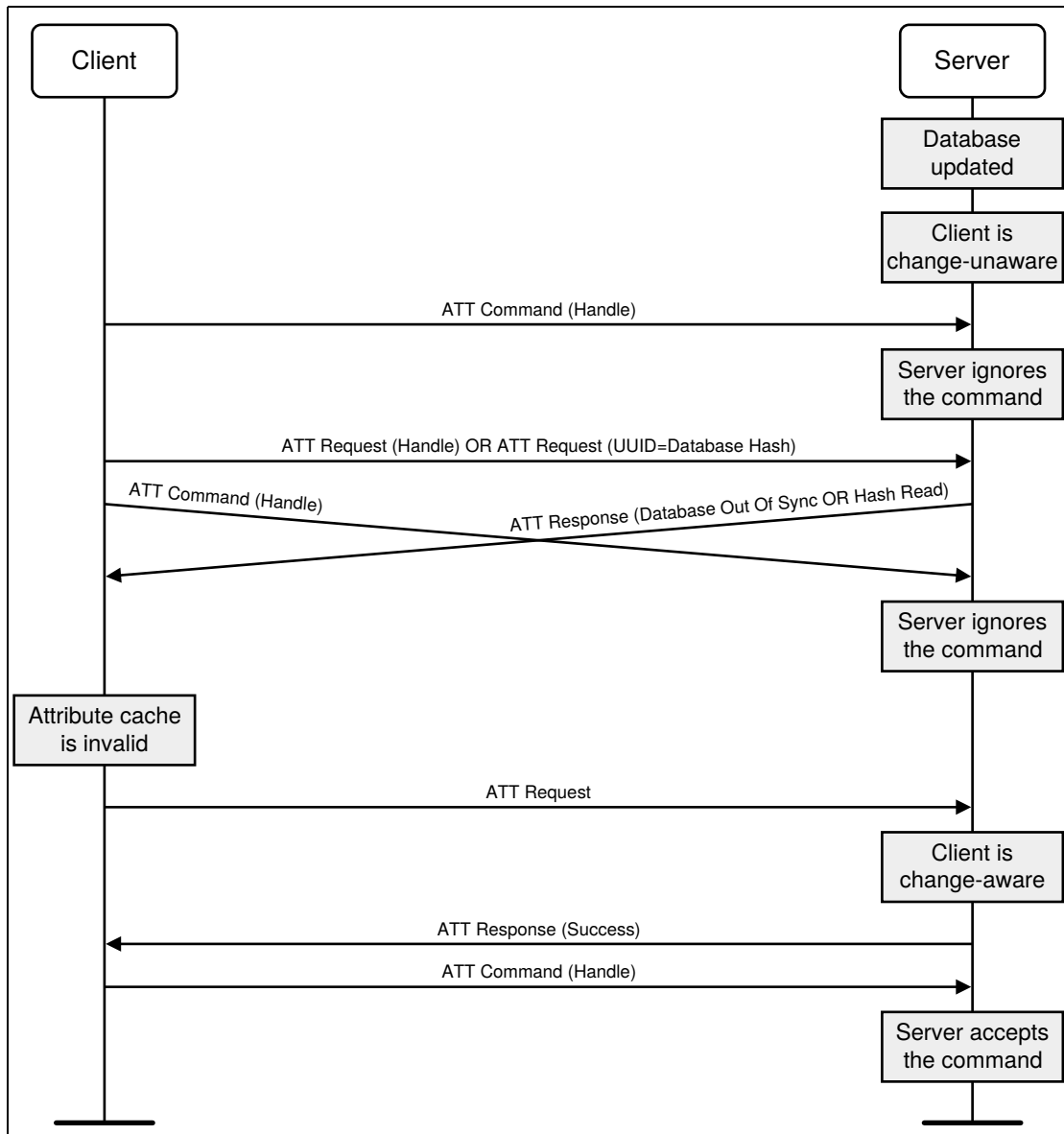


Figure 2.7: Transition to change-aware state for a client using exactly one ATT bearer, triggered by the ATT response "Database Out Of Sync" or "Hash Read"

If a client that has indicated support for robust caching (by setting the *Robust Caching* bit in the *Client Supported Features* characteristic) is change-unaware then the server shall send an ATT_ERROR_RSP PDU with the Error Code parameter set to *Database Out Of Sync* (0x12) when either of the following happen:

- That client requests an operation at any *Attribute Handle* or list of *Attribute Handles* by sending an ATT request.
- That client sends an ATT_READ_BY_TYPE_REQ PDU with Attribute Type other than «Include» or «Characteristic» and an *Attribute Handle* range other than 0x0001 to 0xFFFF.



The ATT_ERROR_RSP PDU is sent only once per bearer after the client becomes change-unaware, unless the client disconnects or the database changes again before the client becomes change-aware in which case the ATT_ERROR_RSP PDU shall be sent again. If a change-unaware client sends an ATT command, the server shall ignore it. Except for a *Handle Value Indication* for the *Service Changed* characteristic, the server shall not send notifications and indications to such a client until it becomes change-aware. If a client is change-aware, then the server shall perform the operation normally.

Note: To reduce the probability of blocked notifications and indications, servers should send this indication as soon as possible after a service change.

If a client receives an ATT_ERROR_RSP PDU with the Error Code parameter set to *Database Out Of Sync* (0x12), it shall consider its attribute cache invalid and shall not make use of the cached information until it has performed service discovery or obtained the changed database definitions using an out-of-band mechanism.

2.5.3 Attribute grouping

The Generic Attribute Profile defines the grouping of attributes for three attribute types: «Primary Service», «Secondary Service» and «Characteristic». A group begins with a declaration, and ends as defined in [Section 3.1](#) for services and [Section 3.3](#) for characteristics. Not all of the grouping attributes can be used in the ATT_READ_BY_GROUP_TYPE_REQ PDU. The «Primary Service» and «Secondary Service» grouping types may be used in the ATT_READ_BY_GROUP_TYPE_REQ PDU. The «Characteristic» grouping type shall not be used in the ATT_READ_BY_GROUP_TYPE_REQ PDU.

2.5.4 UUIDs

All 16-bit UUIDs shall be contained in exactly 2 octets. All 128-bit UUIDs shall be contained in exactly 16 octets.

All 32-bit UUIDs shall be converted to 128-bit UUIDs when the UUID is contained in an ATT PDU. See [\[Vol 3\] Part B, Section 2.5.1](#) for the method of conversion.

2.6 GATT PROFILE HIERARCHY

2.6.1 Overview

The GATT Profile specifies the structure in which profile data is exchanged. This structure defines basic elements such as services and characteristics, used in a profile. All of the elements are contained by Attributes. Attributes used in the Attribute Protocol are containers that carry this profile data.



The top level of the hierarchy is a profile. A profile is composed of one or more services necessary to fulfill a use case. A service is composed of characteristics or inclusions of other services. Each characteristic contains a value and may contain optional information about the value. The service and characteristic and the components of the characteristic (i.e. value and descriptors) contain the profile data and are all stored in Attributes on the server.

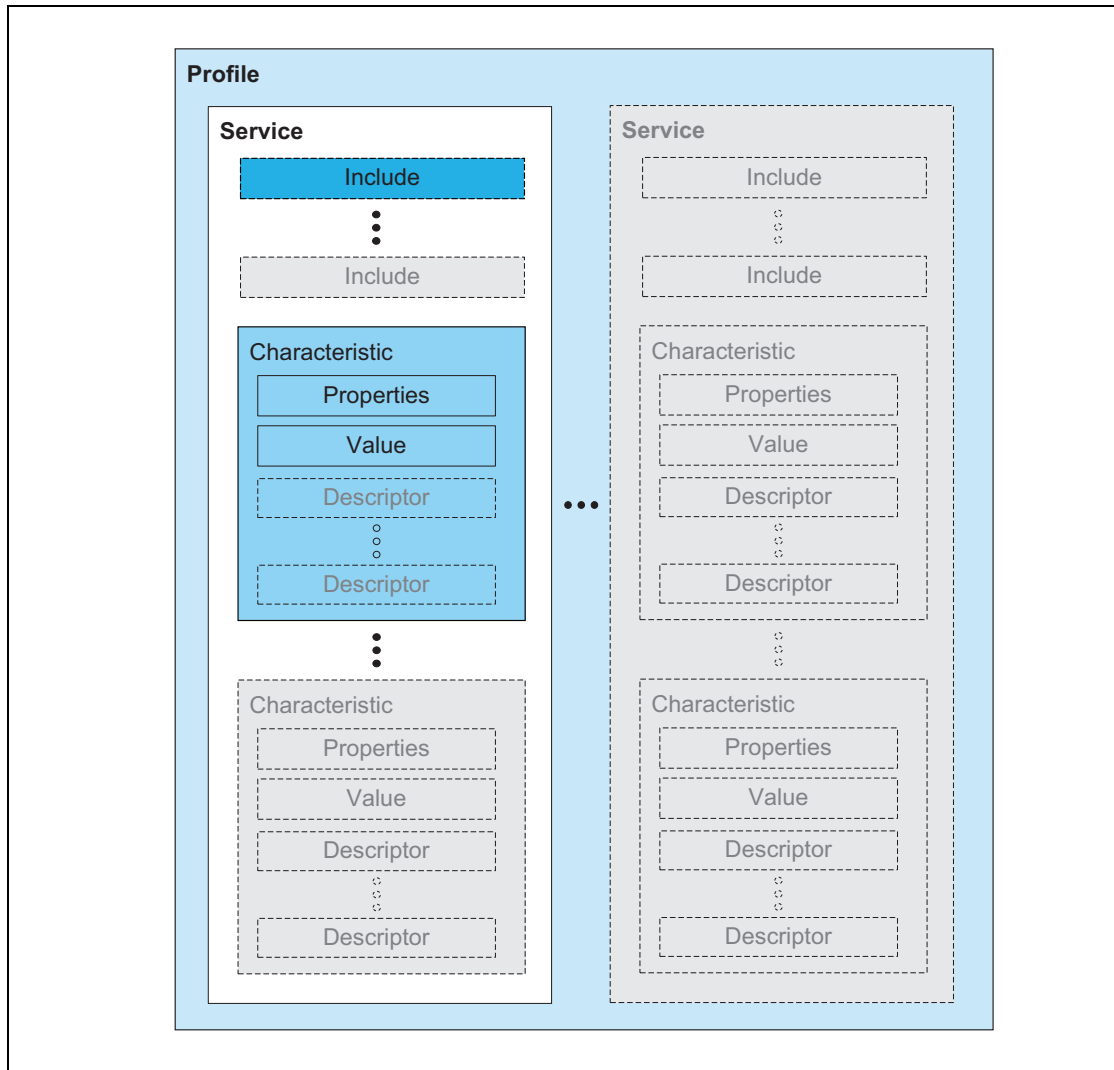


Figure 2.8: GATT Profile hierarchy

2.6.2 Service

A service is a collection of data and associated behaviors to accomplish a particular function or feature. In GATT, a service is defined by its service definition. A service definition may contain included services, mandatory characteristics, and optional characteristics.

To maintain backward compatibility with earlier clients, later versions of a service definition can only add new included services or optional



characteristics. Later versions of a service definition are forbidden from changing behaviors from previous versions of the service definition.

There are two types of services: primary service and secondary service. A primary service is a service that exposes functionality of this device. A primary service can be included by another service. Primary services can be discovered using Primary Service Discovery procedures. A secondary service is a service that should only be included from a primary service or another secondary service or other higher layer specification. A secondary service is only relevant in the context of the entity that includes it.

The determination of whether a service is either a primary or secondary service can be mandated by a higher layer specification.

Note: There is no procedure for discovering secondary services.

Services may be used in one or more higher layer specifications to fulfill a particular use case.

The service definition is described in [Section 3.1](#).

2.6.3 Included services

An included service is a method to reference another service definition existing on the server into the service being defined. To include another service, an include definition is used at the beginning of the service definition. When a service definition uses an include definition to include a service, the entire included service definition becomes part of the new service definition. This includes all the included services and characteristics of the included service. The included service still exists as an independent service. A service that is included by another service shall not be changed by the act of inclusion or by the including service. There are no limits to the number of include definitions or the depth of nested includes in a service definition.

The include definition is described in [Section 3.2](#).

2.6.4 Characteristic

A characteristic is a value used in a service along with properties and configuration information about how the value is accessed and information about how the value is displayed or represented. In GATT, a characteristic is defined by its characteristic definition. A characteristic definition contains a characteristic declaration, characteristic properties, and a value and may contain descriptors that describe the value or permit configuration of the server with respect to the characteristic.

The characteristic definition is described in [Section 3.3](#).



2.7 CONFIGURED BROADCAST

For LE physical links, Configured Broadcast is a method for a client to indicate to a server which *Characteristic Value* shall be broadcast in the advertising data when the server is executing the Broadcast mode procedure. For BR/EDR physical links, Configured Broadcast is not supported.

To configure a *Characteristic Value* to be broadcast by the server when in Broadcast mode, the client sets the broadcast configuration bit described in [Section 3.3.3.4](#). The frequency of the broadcast is part of the service behavior definition. The data shall be broadcast as part of the Service Data Advertising Data type as defined in Section 1.11 of [3]. If multiple characteristics can simultaneously be enabled for broadcast, the service specification defines how the characteristics are to be formatted in the service data which follows the service UUID in the Service Data Advertising Data type payload.



3 SERVICE INTEROPERABILITY REQUIREMENTS

3.1 SERVICE DEFINITION

A service definition shall contain a service declaration and may contain include definitions and characteristic definitions. The service definition ends before the next service declaration or after the maximum *Attribute Handle* is reached. Service definitions appear on the server in an order based on *Attribute Handle*.

All include definitions and characteristic definitions contained within the service definition are considered to be part of the service. All include definitions shall immediately follow the service declaration and precede any characteristic definitions. A service definition may have zero or more include definitions. All characteristic definitions shall be immediately following the last include definition or, in the event of no include definitions, immediately following the service declaration. A service definition may have zero or more characteristic definitions. There is no upper limit for include or characteristic definitions.

A service declaration is an Attribute with the *Attribute Type* set to the UUID for «Primary Service» or «Secondary Service». The *Attribute Value* shall be the 16-bit Bluetooth UUID or 128-bit UUID for the service, known as the service UUID. A client shall support the use of both 16-bit and 128-bit UUIDs. A client may ignore any service definition with an unknown service UUID. An unknown service UUID is a UUID for an unsupported service. The *Attribute Permissions* shall be read-only and shall not require authentication or authorization.

When multiple services exist, services definitions with service declarations using 16-bit Bluetooth UUID should be grouped together (i.e. listed sequentially) and services definitions with service declarations using 128-bit UUID should be grouped together.

Attribute Handle	Attribute Type	Attribute Value	Attribute Permission
0xNNNN	0x2800 – UUID for «Primary Service» OR 0x2801 for «Secondary Service»	16-bit Bluetooth UUID or 128-bit UUID for Service	Read Only, No Authentication, No Authorization

Table 3.1: Service declaration

A device or higher level specification may have multiple service definitions and may have multiple service definitions with the same service UUID.

All Attributes on a server shall either contain a service declaration or exist within a service definition.

Service definitions contained in a server may appear in any order; a client shall not assume the order of service definitions on a server.



3.2 INCLUDE DEFINITION

An include definition shall contain only one include declaration.

The include declaration is an Attribute with the *Attribute Type* set to the UUID for «Include». The *Attribute Value* shall be set to the included service *Attribute Handle*, the End Group Handle, and the *service UUID*. The Service UUID shall only be present when the UUID is a 16-bit Bluetooth UUID. The *Attribute Permissions* shall be read only and not require authentication or authorization.

Attribute Handle	Attribute Type	Attribute Value			Attribute Permission
0xNNNN	0x2802 – UUID for «Include»	Included Service Attribute Handle	End Group Handle	Service UUID	Read Only, No Authentication, No Authorization

Table 3.2: Include declaration

A server shall not contain a service definition with an include definition to another service that includes the original service. This applies to each of the services the included definition references. This is referred to as a circular reference.

If the client detects a circular reference or detects nested include declarations to a greater level than it expects, it should terminate or stop using the ATT bearer.

3.3 CHARACTERISTIC DEFINITION

A characteristic definition shall contain a characteristic declaration, a Characteristic Value declaration and may contain characteristic descriptor declarations. A characteristic definition ends at the start of the next characteristic declaration or service declaration or after the maximum *Attribute Handle*. Characteristic definitions appear on the server within a service definition in an order based on *Attribute Handle*.

Each declaration above is contained in a separate Attribute. The two required declarations are the characteristic declaration and the Characteristic Value declaration. The Characteristic Value declaration shall exist immediately following the characteristic declaration. Any optional characteristic descriptor declarations are placed after the Characteristic Value declaration. The order of the optional characteristic descriptor declarations is not significant.

A characteristic definition may be defined to concatenate several Characteristic Values into a single aggregated Characteristic Value. This may be used to optimize read and writes of multiple Characteristic Values through the reading and writing of a single aggregated Characteristic Value. This type of characteristic definition is the same as a normal characteristic definition. The



characteristic declaration shall use a characteristic UUID that is unique to the aggregated characteristic definition. The aggregated characteristic definition may also contain a characteristic aggregate format descriptor that describes the display format of the aggregated Characteristic Value.

3.3.1 Characteristic declaration

A characteristic declaration is an Attribute with the Attribute Type set to the UUID for «Characteristic» and *Attribute Value* set to the Characteristic Properties, Characteristic Value *Attribute Handle* and Characteristic UUID. The Attribute Permissions shall be readable and not require authentication or authorization.

If the server changes any characteristic declaration *Attribute Value* while the server has a trusted relationship with any client, then it shall send each client a Service Changed Indication indicating a change in the service holding the Characteristic Declaration (see [Section 7.1](#)).

Attribute Handle	Attribute Types	Attribute Value			Attribute Permissions
0xNNNN	0x2803–UUID for «Characteristic»	Characteristic Properties	Characteristic Value Attribute Handle	Characteristic UUID	Read Only, No Authentication, No Authorization

Table 3.3: Characteristic declaration

The *Attribute Value* of a characteristic declaration is read only.

Attribute Value	Size	Description
Characteristic Properties	1 octets	Bit field of characteristic properties
Characteristic Value Handle	2 octets	Handle of the Attribute containing the value of this characteristic
Characteristic UUID	2 or 16 octets	16-bit Bluetooth UUID or 128-bit UUID for Characteristic Value

Table 3.4: Attribute Value field in characteristic declaration

A service may have multiple characteristic definitions with the same Characteristic UUID.

Within a service definition, some characteristics may be mandatory and those characteristics shall be located after the include declarations and before any optional characteristics within the service definition. A client shall not assume any order of those characteristics that are mandatory or any order of those characteristics that are optional within a service definition. Whenever possible and within the requirements stated earlier, characteristic definitions with characteristic declarations using 16-bit Bluetooth UUIDs should be grouped



together (i.e. listed sequentially) and characteristics definitions with characteristic declarations using 128-bit UUIDs should be grouped together.

3.3.1.1 Characteristic Properties

The Characteristic Properties bit field determines how the Characteristic Value can be used, or how the characteristic descriptors (see [Section 3.3.3](#)) can be accessed. If the bits defined in [Table 3.5](#) are set, the action described is permitted. Multiple characteristic properties can be set.

These bits shall be set according to the procedures allowed for this characteristic, as defined by higher layer specifications, without regard to security requirements.

Properties	Value	Description
Broadcast	0x01	If set, permits broadcasts of the Characteristic Value using Server Characteristic Configuration Descriptor. If set, the Server Characteristic Configuration Descriptor shall exist.
Read	0x02	If set, permits reads of the Characteristic Value using procedures defined in Section 4.8
Write Without Response	0x04	If set, permit writes of the Characteristic Value without response using procedures defined in Section 4.9.1 .
Write	0x08	If set, permits writes of the Characteristic Value with response using procedures defined in Section 4.9.3 or Section 4.9.4 .
Notify	0x10	If set, permits notifications of a Characteristic Value without acknowledgment using the procedure defined in Section 4.10 . If set, the Client Characteristic Configuration Descriptor shall exist.
Indicate	0x20	If set, permits indications of a Characteristic Value with acknowledgment using the procedure defined in Section 4.11 . If set, the Client Characteristic Configuration Descriptor shall exist.
Authenticated Signed Writes	0x40	If set, permits signed writes to the Characteristic Value using the procedure defined in Section 4.9.2 .
Extended Properties	0x80	If set, additional characteristic properties are defined in the Characteristic Extended Properties Descriptor defined in Section 3.3.3.1 . If set, the Characteristic Extended Properties Descriptor shall exist.

Table 3.5: Characteristic Properties bit field

3.3.1.2 Characteristic Value Attribute Handle

The Characteristic Value *Attribute Handle* field is the *Attribute Handle* of the Attribute that contains the *Characteristic Value*.



3.3.1.3 Characteristic UUID

The *Characteristic UUID* field is a 16-bit Bluetooth UUID or 128-bit UUID that describes the type of *Characteristic Value*. A client shall support the use of both 16-bit and 128-bit *Characteristic UUIDs*. A client may ignore any characteristic definition with an unknown *Characteristic UUID*. An unknown characteristic UUID is a UUID for an unsupported characteristic.

3.3.2 Characteristic Value declaration

The *Characteristic Value* declaration contains the value of the characteristic. It is the first Attribute after the characteristic declaration. All characteristic definitions shall have a *Characteristic Value* declaration.

A Characteristic Value declaration is an Attribute with the Attribute Type set to the 16-bit Bluetooth or 128-bit UUID for the Characteristic Value used in the characteristic declaration. The *Attribute Value* is set to the *Characteristic Value*. The *Attribute Permissions* are specified by the service or may be implementation specific if not specified otherwise.

Attribute Handle	Attribute Type	Attribute Value	Attribute Permissions
0xNNNN	0xUUUU – 16-bit Bluetooth UUID or 128-bit UUID for Characteristic UUID	Characteristic Value	Higher layer profile or implementation specific

Table 3.6: *Characteristic Value declaration*

3.3.3 Characteristic descriptor declarations

Characteristic descriptors are used to contain related information about the *Characteristic Value*. The GATT profile defines a standard set of characteristic descriptors that can be used by higher layer profiles. Higher layer profiles may define additional characteristic descriptors that are profile specific. Each characteristic descriptor is identified by the characteristic descriptor UUID. A client shall support the use of both 16-bit and 128-bit characteristic descriptor UUIDs. A client may ignore any characteristic descriptor declaration with an unknown characteristic descriptor UUID. An unknown characteristic descriptor UUID is a UUID for an unsupported characteristic descriptor.

Characteristic descriptors if present within a characteristic definition shall follow the *Characteristic Value* declaration. The characteristic descriptor declaration may appear in any order within the characteristic definition. The client shall not assume the order in which a characteristic descriptor declaration appears in a characteristic definition following the *Characteristic Value* declaration.

Characteristic descriptor declaration permissions are defined by a higher layer profile or are implementation specific. A client shall not assume all characteristic descriptor declarations are readable.



3.3.3.1 Characteristic Extended Properties

The *Characteristic Extended Properties* declaration is a descriptor that defines additional *Characteristic Properties*. If the *Extended Properties* bit of the *Characteristic Properties* is set then this characteristic descriptor shall exist. The characteristic descriptor may occur in any position within the characteristic definition after the *Characteristic Value*. Only one *Characteristic Extended Properties* declaration shall exist in a characteristic definition.

The characteristic descriptor is contained in an *Attribute* and the *Attribute Type* shall be set to the UUID for «Characteristic Extended Properties» and the *Attribute Value* shall be two octets in length and shall contain the *Characteristic Extended Properties Bit Field*. The *Attribute Permissions* shall be readable without authentication and authorization being required.

Attribute Handle	Attribute Type	Attribute Value	Attribute Permissions
0xNNNN	0x2900 – UUID for «Characteristic Extended Properties»	Characteristic Extended Properties Bit Field	Read Only, No Authentication, No Authorization

Table 3.7: Characteristic Extended Properties declaration

The *Characteristic Extended Properties* bit field describes additional properties on how the *Characteristic Value* can be used, or how the characteristic descriptors (see [Section 3.3.3.3](#)) can be accessed. If the bits defined in [Table 3.8](#) are set, the action described is permitted. Multiple additional properties can be set.

Bit Number	Property	Description
0	Reliable Write	If set, permits reliable writes of the <i>Characteristic Value</i> using the procedure defined in Section 4.9.5
1	Writable Auxiliaries	If set, permits writes to the characteristic descriptor defined in Section 3.3.3.2
All other bits		Reserved for future use

Table 3.8: Characteristic Extended Properties bit field

3.3.3.2 Characteristic User Description

The *Characteristic User Description* declaration is an optional characteristic descriptor that defines a UTF-8 string of variable size that is a user textual description of the *Characteristic Value*. If the *Writable Auxiliaries* bit of the *Characteristic Extended Properties* is set then this characteristic descriptor can be written. The characteristic descriptor may occur in any position within the characteristic definition after the *Characteristic Value*. Only one *Characteristic User Description* declaration shall exist in a characteristic definition.



The characteristic descriptor is contained in an Attribute and the *Attribute Type* shall be set to the UUID for «Characteristic User Description» and the *Attribute Value* shall be set to the characteristic user description UTF-8 string. The *Attribute Permissions* are specified by the profile or may be implementation specific if not specified otherwise.

Attribute Handle	Attribute Type	Attribute Value	Attribute Permissions
0xNNNN	0x2901 – UUID for «Characteristic User Description»	Characteristic User Description UTF-8 String	Higher layer profile or implementation specific

Table 3.9: Characteristic User Description declaration

3.3.3.3 Client Characteristic Configuration

The *Client Characteristic Configuration* declaration is an optional characteristic descriptor that defines how the characteristic may be configured by a specific client. The Client Characteristic Configuration descriptor value shall be persistent across connections for bonded devices. The Client Characteristic Configuration descriptor value shall be set to the default value at each connection with non-bonded devices. The characteristic descriptor value is a bit field. When a bit is set, that action shall be enabled, otherwise it will not be used. The *Client Characteristic Configuration* descriptor may occur in any position within the characteristic definition after the Characteristic Value. Only one *Client Characteristic Configuration* declaration shall exist in a characteristic definition.

A client may write this configuration descriptor to control the configuration of this characteristic on the server for the client. Each client has its own instantiation of the *Client Characteristic Configuration*. Reads of the *Client Characteristic Configuration* only shows the configuration for that client and writes only affect the configuration of that client. Authentication and authorization may be required by the server to write the configuration descriptor. The *Client Characteristic Configuration* declaration shall be readable and writable.

The characteristic descriptor is contained in an Attribute. The *Attribute Type* shall be set to the UUID for «Client Characteristic Configuration». The *Attribute Value* shall be two octets in length and shall be set to the characteristic descriptor value. The *Attribute Permissions* are specified by the profile or may be implementation specific if not specified otherwise.



Attribute Handle	Attribute Type	Attribute Value	Attribute Permissions
0xNNNN	0x2902 – UUID for «Client Characteristic Configuration»	Characteristic Configuration Bits	Readable with no authentication or authorization. Writable with authentication and authorization defined by a higher layer specification or is implementation specific.

Table 3.10: Client Characteristic Configuration declaration

The following Client Characteristic Configuration bits are defined:

Bit Number	Configuration	Description
0	Notification	The Characteristic Value shall be notified. This value can only be set if the characteristic's properties have the notify bit set.
1	Indication	The Characteristic Value shall be indicated. This value can only be set if the characteristic's properties have the indicate bit set.
All other bits		Reserved for future use.

Table 3.11: Client Characteristic Configuration bit field definition

The default value for the *Client Characteristic Configuration* descriptor value shall be 0x0000.

Between a client and a server there shall be a single Client Characteristic Configuration Descriptor irrespective of the number of ATT bearers between them.

3.3.3.4 Server Characteristic Configuration

The *Server Characteristic Configuration* declaration is an optional characteristic descriptor that defines how the characteristic may be configured for the server. The characteristic descriptor value is a bit field. When a bit is set, that action shall be enabled, otherwise it will not be used. The *Server Characteristic Configuration* descriptor may occur in any position within the characteristic definition after the *Characteristic Value*. Only one *Server Characteristic Configuration* declaration shall exist in a characteristic definition. The *Server Characteristic Configuration* declaration shall be readable and writable.

A client may write this configuration descriptor to control the configuration of this characteristic on the server for all clients. There is a single instantiation of the *Server Characteristic Configuration* for all clients. Reads of the *Server*



Characteristic Configuration shows the configuration all clients and writes affect the configuration for all clients. Authentication and authorization may be required by the server to write the configuration descriptor.

The characteristic descriptor is contained in an Attribute. The *Attribute Type* shall be set to the UUID for «Server Characteristic Configuration». The *Attribute Value* shall be two octets in length and shall be set to the characteristic descriptor value. The *Attribute Permissions* are specified by the profile or may be implementation specific if not specified otherwise.

Attribute Handle	Attribute Type	Attribute Value	Attribute Permissions
0xNNNN	0x2903 – UUID for «Server Characteristic Configuration»	Characteristic Configuration Bits	Readable with no authentication or authorization. Writable with authentication and authorization defined by a higher layer specification or is implementation specific.

Table 3.12: Server Characteristic Configuration declaration

The following *Server Characteristic Configuration* bits are defined:

Bit Number	Configuration	Description
0	Broadcast	The Characteristic Value shall be broadcast when the server is in the broadcast procedure if advertising data resources are available. This value can only be set if the characteristic's properties have the broadcast bit set.
All other bits		Reserved for future use.

Table 3.13: Server Characteristic Configuration bit field definition

3.3.3.5 Characteristic Presentation Format

The *Characteristic Presentation Format* declaration is an optional characteristic descriptor that defines the format of the *Characteristic Value*. The characteristic descriptor may occur in any position within the characteristic definition after the *Characteristic Value*. If more than one *Characteristic Presentation Format* declaration exists in a characteristic definition, then a *Characteristic Aggregate Format* declaration shall exist as part of the characteristic definition.

The characteristic presentation format value is composed of five parts: format, exponent, unit, name space, and description.

The characteristic descriptor is contained in an Attribute. The *Attribute Type* shall be set to the UUID for «Characteristic Presentation Format». The



Attribute Value shall be set to the characteristic descriptor value. The *Attribute Permissions* shall be read only and not require authentication or authorization.

Attribute Handle	Attribute Type	Attribute Value					Attribute Permissions
0xNNNN	0x2904 – UUID for «Characteristic Presentation Format»	Format	Exponent	Unit	Name Space	Description	Read only No Authentication, No Authorization

Table 3.14: Characteristic Presentation Format declaration

The definition of the Characteristic Presentation Format descriptor Attribute Value field is the following.

Field Name	Value Size	Description
Format	1 octet	Format of the value of this characteristic as defined in [1].
Exponent	1 octet	Exponent field to determine how the value of this characteristic is further formatted.
Unit	2 octets	The unit of this characteristic as defined in [1]
Name Space	1 octet	The name space of the description as defined in [1]
Description	2 octets	The description of this characteristic as defined in a higher layer profile.

Table 3.15: Characteristic Presentation Format value definition

3.3.3.5.1 Bit ordering

The bit ordering used for the Characteristic Presentation Format descriptor shall be little-endian.

3.3.3.5.2 Format

The format field determines how a single value contained in the *Characteristic Value* is formatted. The values of this field are defined in Assigned Numbers [1].

3.3.3.5.3 Exponent

The exponent field is used with integer data types to determine how the value is further formatted. The exponent field is only used on integer format types. The exponent field has type sint8.

$$\text{actual value} = \text{Characteristic Value} * 10^{\text{Exponent}}$$



As can be seen in the above equation, the actual value is a combination of the Characteristic Value and the value 10 to the power Exponent. This is sometimes known as a fixed point number.

For example, if the Exponent is 2 and the *Characteristic Value* is 23, the actual value would be 2300.

For example, if the Exponent is -3 and the *Characteristic Value* is 3892, the actual value would be 3.892.

3.3.3.5.4 Unit

The Unit is a UUID as defined in [Assigned Numbers \[1\]](#).

3.3.3.5.5 Name Space

The Name Space field is used to identify the organization, as defined in [Assigned Numbers \[1\]](#), that is responsible for defining the enumerations for the description field.

3.3.3.5.6 Description

The Description is an enumerated value as defined in [Assigned Numbers \[1\]](#) from the organization identified by the Name Space field.

3.3.3.6 Characteristic Aggregate Format

The *Characteristic Aggregate Format* declaration is an optional characteristic descriptor that defines the format of an aggregated *Characteristic Value*.

The characteristic descriptor may occur in any position within the characteristic definition after the *Characteristic Value*. Only one *Characteristic Aggregate Format* declaration shall exist in a characteristic definition.

The Characteristic Aggregate Format value is composed of a list of Attribute Handles of *Characteristic Presentation Format* declarations, where each *Attribute Handle* points to a *Characteristic Presentation Format* declaration.

The *Attribute Permissions* shall be read only and not require authentication or authorization.

Attribute Handle	Attribute Type	Attribute Value	Attribute Permissions
0xNNNN	0x2905 – UUID for «Characteristic Aggregate Format»	List of <i>Attribute Handles</i> for the Characteristic Presentation Format Declarations	Read only No authentication No authorization

Table 3.16: *Characteristic Aggregate Format* declaration



The *List of Attribute Handles* is the concatenation of multiple 16-bit *Attribute Handle* values into a single *Attribute Value*. The list shall contain at least two *Attribute Handle for Characteristic Presentation Format declarations*. The *Characteristic Value* shall be decomposed by each of the *Characteristic Presentation Format* declarations pointed to by the *Attribute Handles*. The order of the *Attribute Handles* in the list is significant.

If more than one *Characteristic Presentation Format* declarations exist in a characteristic definition, there shall also be one *Characteristic Aggregate Format* declaration. The *Characteristic Aggregate Format* declaration shall include each *Characteristic Presentation Format* declaration in the characteristic definition in the list of *Attribute Handles*. *Characteristic Presentation Format* declarations from other characteristic definitions may also be used.

A *Characteristic Aggregate Format* declaration may exist without a *Characteristic Presentation Format* declaration existing in the characteristic definition. The *Characteristic Aggregate Format* declaration may use *Characteristic Presentation Format* declarations from other characteristic definitions.

3.4 SUMMARY OF GATT PROFILE ATTRIBUTE TYPES

Table 3.17 summarizes the attribute types defined by the GATT Profile.

Attribute Type	UUID	Description
«Primary Service»	0x2800	Primary Service Declaration
«Secondary Service»	0x2801	Secondary Service Declaration
«Include»	0x2802	Include Declaration
«Characteristic»	0x2803	Characteristic Declaration
«Characteristic Extended Properties»	0x2900	Characteristic Extended Properties
«Characteristic User Description»	0x2901	Characteristic User Description Descriptor
«Client Characteristic Configuration»	0x2902	Client Characteristic Configuration Descriptor
«Server Characteristic Configuration»	0x2903	Server Characteristic Configuration Descriptor
«Characteristic Presentation Format»	0x2904	Characteristic Presentation Format Descriptor
«Characteristic Aggregate Format»	0x2905	Characteristic Aggregate Format Descriptor

Table 3.17: Summary of GATT Profile attribute types



4 GATT FEATURE REQUIREMENTS

4.1 OVERVIEW

There are 11 features defined in the GATT Profile:

1. Server Configuration
2. Primary Service Discovery
3. Relationship Discovery
4. Characteristic Discovery
5. Characteristic Descriptor Discovery
6. Reading a Characteristic Value
7. Writing a Characteristic Value
8. Notification of a Characteristic Value
9. Indication of a Characteristic Value
10. Reading a Characteristic Descriptor
11. Writing a Characteristic Descriptor

Each of the features is mapped to procedures and sub-procedures. These procedures and sub-procedures describe how the Attribute Protocol is used to accomplish the corresponding feature.

4.2 FEATURE SUPPORT AND PROCEDURE MAPPING

[Table 4.1](#) maps each feature to the procedures used for that feature, and indicates whether the procedure is optional or mandatory for that feature. The procedures are described in the referenced section.

If an ATT PDU is supported on any ATT bearer, then it shall be supported on all supported ATT bearers with the following exceptions:

- The Exchange MTU sub-procedure shall only be supported on the LE Fixed Channel Unenhanced ATT bearer.
- The Signed Write Without Response sub-procedure shall only be supported on the LE Fixed Channel Unenhanced ATT bearer.

Feature	Sub-Procedure	Ref.	Support in Client	Support in Server
Server Configuration	Exchange MTU	4.3.1	O	O
Primary Service Discovery	Discover All Primary Services	4.4.1	O	M
	Discover Primary Services By Service UUID	4.4.2	O	M

Table 4.1: GATT feature mapping to procedures (Sheet 1 of 3)



Feature	Sub-Procedure	Ref.	Support in Client	Support in Server
Relationship Discovery	Find Included Services	4.5.1	O	M
Characteristic Discovery	Discover All Characteristic of a Service	4.6.1	O	M
	Discover Characteristic by UUID	4.6.2	O	M
Characteristic Descriptor Discovery	Discover All Characteristic Descriptors	4.7.1	O	M
Characteristic Value Read	Read Characteristic Value	4.8.1	O	M
	Read Using Characteristic UUID	4.8.2	O	M
	Read Long Characteristic Values	4.8.3	O	C.4
	Read Multiple Characteristic Values	4.8.4	O	O
	Read Multiple Variable Length Characteristic Values	4.8.5	O	C.4
Characteristic Value Write	Write Without Response	4.9.1	O	C.1
	Signed Write Without Response	4.9.2	O	O
	Write Characteristic Value	4.9.3	O	C.2
	Write Long Characteristic Values	4.9.4	O	C.4
	Characteristic Value Reliable Writes	4.9.5	O	O
Characteristic Value Notifications	Single Notifications	4.10.1	C.4	C.4
	Multiple Variable Length Notifications	4.10.2	C.4	C.4
Characteristic Value Indication	Indications	4.11.1	M	C.3
Characteristic Descriptor Value Read	Read Characteristic Descriptors	4.12.1	O	C.4
	Read Long Characteristic Descriptors	4.12.2	O	C.4

Table 4.1: GATT feature mapping to procedures (Sheet 2 of 3)



Feature	Sub-Procedure	Ref.	Support in Client	Support in Server
Characteristic Descriptor Value Write	Write Characteristic Descriptors	4.12.3	O	C.4
	Write Long Characteristic Descriptors	4.12.4	O	O
<p>C.1: Write Without Response is mandatory if Signed Write Without Response or Enhanced ATT Bearers are supported otherwise optional</p> <p>C.2: Write Characteristic Value is mandatory if Write Long Characteristic Values or Enhanced ATT Bearers are supported otherwise optional</p> <p>C.3: If <i>Service Changed Characteristic</i> is present, this feature is mandatory, otherwise optional.</p> <p>C.4: If Enhanced ATT Bearers are supported then this feature is mandatory, otherwise optional.</p>				

Table 4.1: GATT feature mapping to procedures (Sheet 3 of 3)

4.3 SERVER CONFIGURATION

This procedure is used by the client to configure the Attribute Protocol. This procedure has only one sub-procedure used to set the MTU sizes.

4.3.1 Exchange MTU

This sub-procedure is used by the client to set the ATT_MTU to the maximum possible value that can be supported by both devices when the client supports a value greater than the default ATT_MTU for the Attribute Protocol. This sub-procedure shall only be initiated once during a connection.

This sub-procedure shall not be used on a BR/EDR physical link since the MTU size is negotiated using L2CAP channel configuration procedures.

The ATT_EXCHANGE_MTU_REQ PDU is used by this sub-procedure. The Client Rx MTU parameter shall be set to the maximum MTU that this client can receive.

Two possible responses can be sent from the server for the ATT_EXCHANGE_MTU_REQ PDU: ATT_EXCHANGE_MTU_RSP and ATT_ERROR_RSP PDUs.

An ATT_ERROR_RSP PDU is returned if an error occurred on the server.

The server shall respond to this message with an ATT_EXCHANGE_MTU_RSP PDU with the Server Rx MTU parameter set to the maximum MTU that this server can receive.

If the ATT_ERROR_RSP PDU is sent by the server with the Error Code parameter set to *Request Not Supported* (0x06), the *Attribute Opcode* is not supported and the default MTU shall be used.



Once the messages have been exchanged, the ATT_MTU shall be set to the minimum of the Client Rx MTU and Server Rx MTU values.

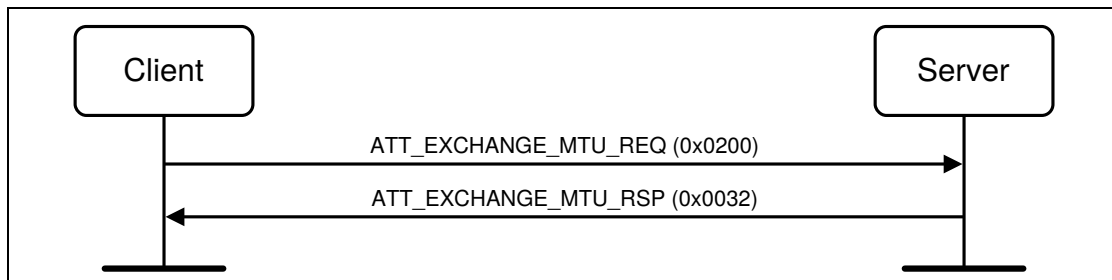


Figure 4.1: Exchange MTU

For example, in [Figure 4.1](#), based on the exchanged ATT_MTU values, the ATT_MTU would be 0x0032.

4.4 PRIMARY SERVICE DISCOVERY

This procedure is used by a client to discover primary services on a server. Once the primary services are discovered, additional information about the primary services can be accessed using other procedures, including characteristic discovery and relationship discovery to find other related primary and secondary services.

There are two sub-procedures that can be used for primary service discovery: Discover All Primary Services and Discover Primary Services by Service UUID.

4.4.1 Discover All Primary Services

This sub-procedure is used by a client to discover all the primary services on a server.

The ATT_READ_BY_GROUP_TYPE_REQ PDU shall be used with the Attribute Type parameter set to the UUID for «Primary Service». The *Starting Handle* shall be set to 0x0001 and the *Ending Handle* shall be set to 0xFFFF.

Two possible responses can be sent from the server for the ATT_READ_BY_GROUP_TYPE_REQ PDU: ATT_READ_BY_GROUP_TYPE_RSP and ATT_ERROR_RSP PDUs.

An ATT_ERROR_RSP PDU is returned if an error occurred on the server.

The ATT_READ_BY_GROUP_TYPE_RSP PDU returns a list of *Attribute Handle*, *End Group Handle*, and *Attribute Value* tuples corresponding to the services supported by the server. Each *Attribute Value* contained in the response is the Service UUID of a service supported by the server. The *Attribute Handle* is the handle for the service declaration. The *End Group Handle* is the handle of the last attribute within the service definition. The *End Group Handle* of the



last service in a device can be 0xFFFF. The ATT_READ_BY_GROUP_TYPE_REQ PDU shall be issued again with the *Starting Handle* set to one greater than the last *End Group Handle* in the ATT_READ_BY_GROUP_TYPE_RSP PDU.

This sub-procedure is complete when the ATT_ERROR_RSP PDU is received and the Error Code parameter is set to *Attribute Not Found* (0x0A) or when the *End Group Handle* in the *Read by Type Group Response* is 0xFFFF.

The sub-procedure may end early if a desired primary service is found prior to discovering all the primary services on the server.

The service declaration described in [Section 3.1](#) specifies that the service declaration is readable and requires no authentication or authorization, therefore insufficient authentication or read not permitted errors shall not occur.

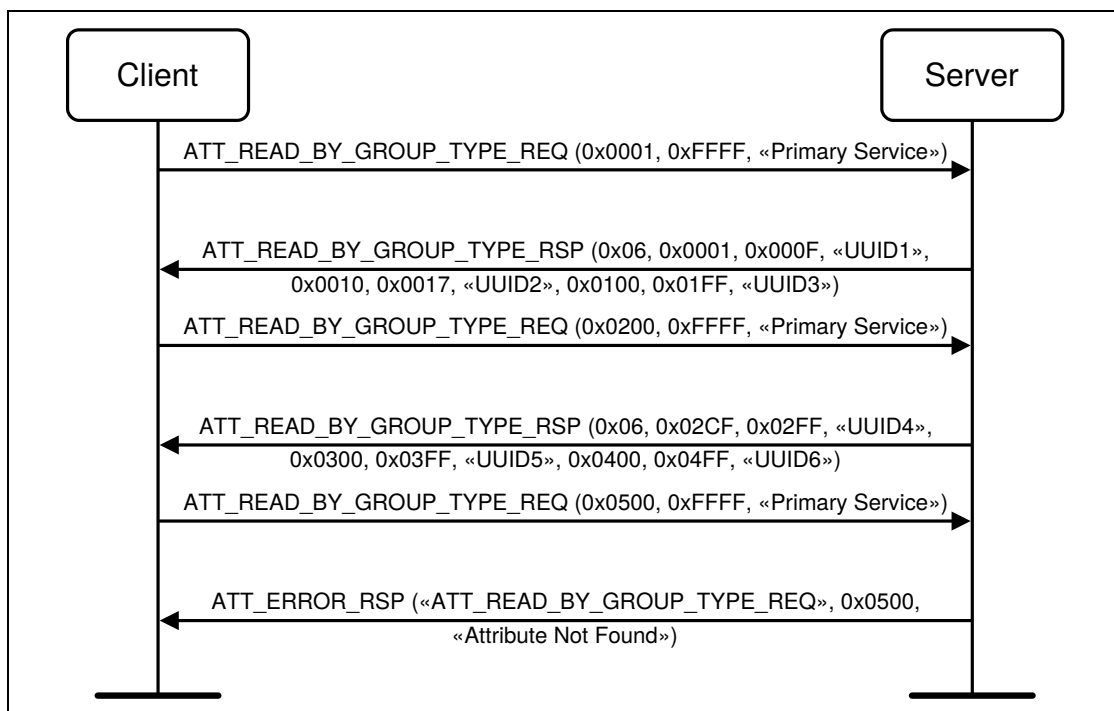


Figure 4.2: Discover All Primary Services example

4.4.2 Discover Primary Service by Service UUID

This sub-procedure is used by a client to discover a specific primary service on a server when only the Service UUID is known. The specific primary service may exist multiple times on a server. The primary service being discovered is identified by the service UUID.

The ATT_FIND_BY_TYPE_VALUE_REQ PDU shall be used with the Attribute Type parameter set to the UUID for «Primary Service» and the *Attribute Value* set to the 16-bit Bluetooth UUID or 128-bit UUID for the specific primary



service. The *Starting Handle* shall be set to 0x0001 and the *Ending Handle* shall be set to 0xFFFF.

Two possible responses can be sent from the server for the ATT_FIND_BY_TYPE_VALUE_REQ PDU: ATT_FIND_BY_TYPE_VALUE_RSP and ATT_ERROR_RSP PDUs.

An ATT_ERROR_RSP PDU is returned if an error occurred on the server.

The ATT_FIND_BY_TYPE_VALUE_RSP PDU returns a list of *Attribute Handle* ranges. The *Attribute Handle* range is the starting handle and the ending handle of the service definition. The *End Group Handle* of the last service in a device can be 0xFFFF. If the *Attribute Handle* range for the Service UUID being searched is returned and the End Found Handle is not 0xFFFF, the ATT_FIND_BY_TYPE_VALUE_REQ PDU may be issued again with the *Starting Handle* set to one greater than the last *Attribute Handle* range in the ATT_FIND_BY_TYPE_VALUE_RSP PDU.

This sub-procedure is complete when the ATT_ERROR_RSP PDU is received and the Error Code parameter is set to *Attribute Not Found* (0x0A) or when the *End Group Handle* in the ATT_FIND_BY_TYPE_VALUE_RSP PDU is 0xFFFF.

The sub-procedure may end early if a desired primary service is found prior to discovering all the primary services of the specified service UUID supported on the server.

The service declaration described in [Section 3.1](#) specifies that the service declaration is readable and requires no authentication or authorization, therefore insufficient authentication or read not permitted errors shall not occur.

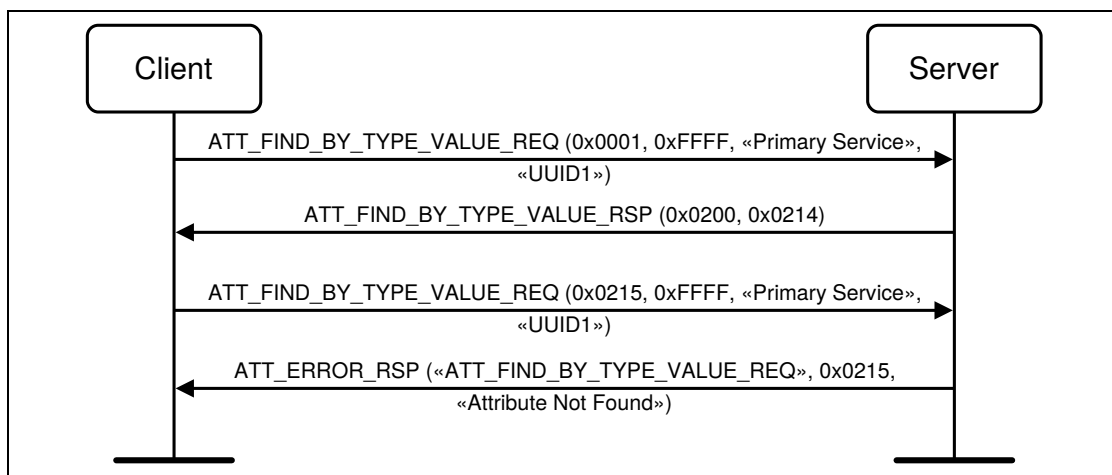


Figure 4.3: Discover Primary Service by Service UUID example

4.5 RELATIONSHIP DISCOVERY

This procedure is used by a client to discover service relationships to other services.



There is one sub-procedure that can be used for relationship discovery: Find Included Services.

4.5.1 Find Included Services

This sub-procedure is used by a client to find include service declarations within a service definition on a server. The service specified is identified by the service handle range.

The ATT_READ_BY_TYPE_REQ PDU shall be used with the *Attribute Type* parameter set to the UUID for «Include». The *Starting Handle* shall be set to the starting handle of the specified service and the *Ending Handle* shall be set to the ending handle of the specified service. The sub-procedure may end early if a desired included service is found prior to discovering all the included services of the specified service supported on the server.

Two possible responses can be sent from the server for the ATT_READ_BY_TYPE_REQ PDU: ATT_READ_BY_TYPE_RSP and ATT_ERROR_RSP PDUs.

An ATT_ERROR_RSP PDU is returned if an error occurred on the server.

The ATT_READ_BY_TYPE_RSP PDU returns a set of *Attribute Handle* and *Attribute Value* pairs corresponding to the included services in the service definition. Each *Attribute Value* contained in the response is composed of the *Attribute Handle* of the included service declaration and the *End Group Handle*. If the service UUID is a 16-bit Bluetooth UUID it is also returned in the response. The ATT_READ_BY_TYPE_REQ PDU shall be issued again with the *Starting Handle* set to one greater than the last *Attribute Handle* in the ATT_READ_BY_TYPE_RSP PDU.

The sub-procedure is complete when either the ATT_ERROR_RSP PDU is received with the Error Code parameter set to *Attribute Not Found* (0x0A) or the ATT_READ_BY_TYPE_RSP PDU has an *Attribute Handle* of the included service declaration that is equal to the *Ending Handle* of the request.

To get the included service UUID when the included service uses a 128-bit UUID, the ATT_READ_REQ PDU is used. The *Attribute Handle* for the ATT_READ_REQ PDU is the *Attribute Handle* of the included service.



The include declaration described in Section 3.2 specifies that the include declaration is readable and requires no authentication or authorization, therefore insufficient authentication or read not permitted errors shall not occur.

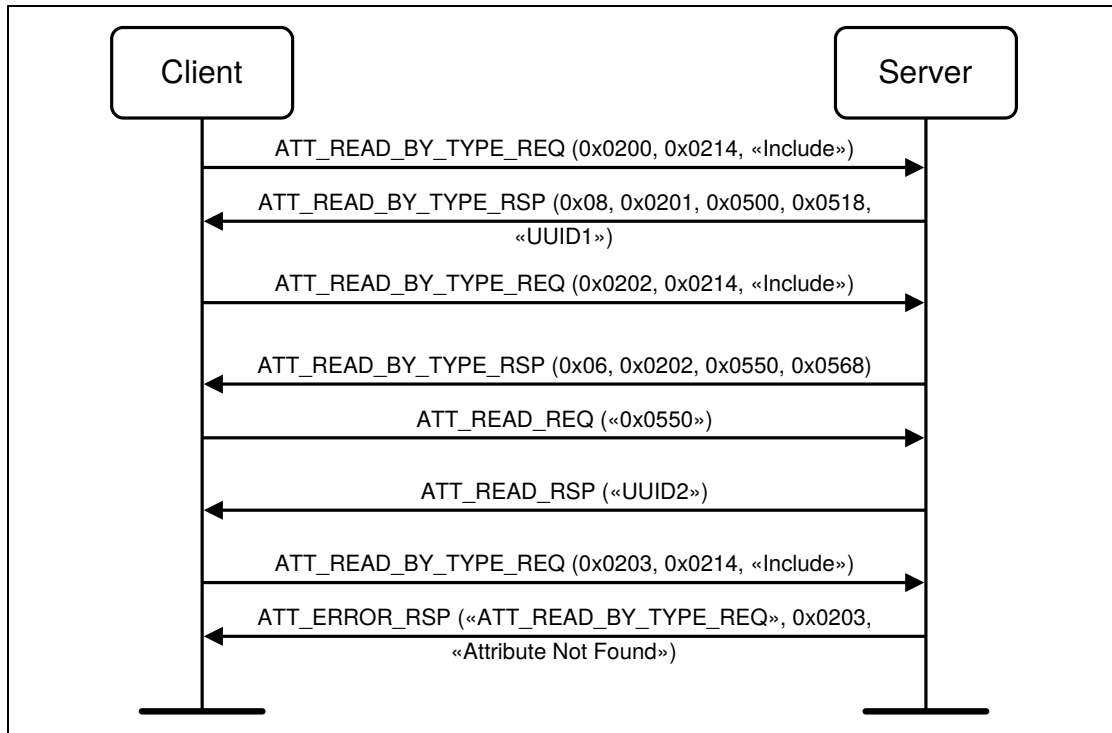


Figure 4.4: Find Included Services example

4.6 CHARACTERISTIC DISCOVERY

This procedure is used by a client to discover service characteristics on a server. Once the characteristics are discovered additional information about the characteristics can be discovered or accessed using other procedures.

There are two sub-procedures that can be used for characteristic discovery: Discover All Characteristics of a Service and Discover Characteristics by UUID.

4.6.1 Discover All Characteristics of a Service

This sub-procedure is used by a client to find all the characteristic declarations within a service definition on a server when only the service handle range is known. The service specified is identified by the service handle range.

The ATT_READ_BY_TYPE_REQ PDU shall be used with the *Attribute Type* parameter set to the UUID for «Characteristic». The *Starting Handle* shall be set to starting handle of the specified service and the *Ending Handle* shall be set to the ending handle of the specified service.



Two possible responses can be sent from the server for the ATT_READ_BY_TYPE_REQ PDU: ATT_READ_BY_TYPE_RSP and ATT_ERROR_RSP PDUs.

An ATT_ERROR_RSP PDU is returned if an error occurred on the server.

The ATT_READ_BY_TYPE_RSP PDU returns a list of *Attribute Handle* and *Attribute Value* pairs corresponding to the characteristics in the service definition. The *Attribute Handle* is the handle for the characteristic declaration. The *Attribute Value* is the Characteristic Properties, Characteristic Value Handle and Characteristic UUID. The ATT_READ_BY_TYPE_REQ PDU shall be issued again with the *Starting Handle* set to one greater than the last *Attribute Handle* in the ATT_READ_BY_TYPE_RSP PDU.

The sub-procedure is complete when the ATT_ERROR_RSP PDU is received and the Error Code parameter is set to *Attribute Not Found* (0x0A) or the ATT_READ_BY_TYPE_RSP PDU has an *Attribute Handle* that is equal to the *Ending Handle* of the request.

The sub-procedure may end early if a desired characteristic is found prior to discovering all the characteristics of the specified service supported on the server.

Note: The characteristic declaration described in [Section 3.3](#) specifies that the characteristic declaration is readable and requires no authentication or authorization, therefore insufficient authentication or read not permitted errors should not occur.

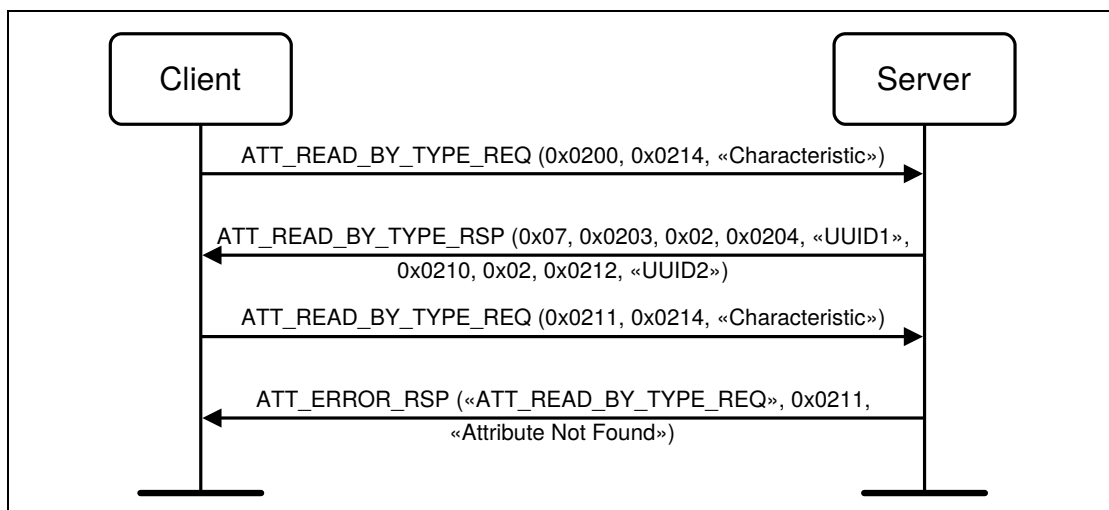


Figure 4.5: Discover All Characteristics of a Service example

Note: In this example «UUID1» and «UUID2» are 16 bits (2 octets). If they were 128 bits (16 octets) then the ATT_READ_BY_TYPE_RSP PDU data would instead be:

0x15, 0x0203, 0x02, 0x0204, «UUID1», 0x0210, 0x02, 0x0212, «UUID2»



4.6.2 Discover Characteristics by UUID

This sub-procedure is used by a client to discover service characteristics on a server when only the service handle ranges are known and the characteristic UUID is known. The specific service may exist multiple times on a server. The characteristic being discovered is identified by the characteristic UUID.

The ATT_READ_BY_TYPE_REQ PDU is used to perform the beginning of the sub-procedure. The *Attribute Type* is set to the UUID for «Characteristic» and the *Starting Handle* and *Ending Handle* parameters shall be set to the service handle range.

Two possible responses can be sent from the server for the ATT_READ_BY_TYPE_REQ PDU: ATT_READ_BY_TYPE_RSP and ATT_ERROR_RSP PDUs.

An ATT_ERROR_RSP PDU is returned if an error occurred on the server.

The ATT_READ_BY_TYPE_RSP PDU returns a list of *Attribute Handle* and *Attribute Value* pairs corresponding to the characteristics contained in the handle range provided. Each *Attribute Value* in the list is the *Attribute Value* for the characteristic declaration. The *Attribute Value* contains the characteristic properties, *Characteristic Value Handle* and characteristic UUID. The *Attribute Value* for each *Attribute Handle* and *Attribute Value* pairs are checked for a matching characteristic UUID. Once found, the sub-procedure continues until the end of the service handle range is exhausted. The ATT_READ_BY_TYPE_REQ PDU is issued again with the *Starting Handle* set to one greater than the last *Attribute Handle* in the ATT_READ_BY_TYPE_RSP PDU.

If the ATT_ERROR_RSP PDU is sent by the server with the Error Code parameter set to *Attribute Not Found* (0x0A), the characteristic does not exist on the server within the handle range provided.

The sub-procedure may end early if a desired characteristic is found prior to discovering all the characteristics for the specified service supported on the server.

The characteristic declaration described in [Section 3.3](#) specifies that the characteristic declaration is readable and requires no authentication or



authorization, therefore insufficient authentication or read not permitted errors shall not occur.

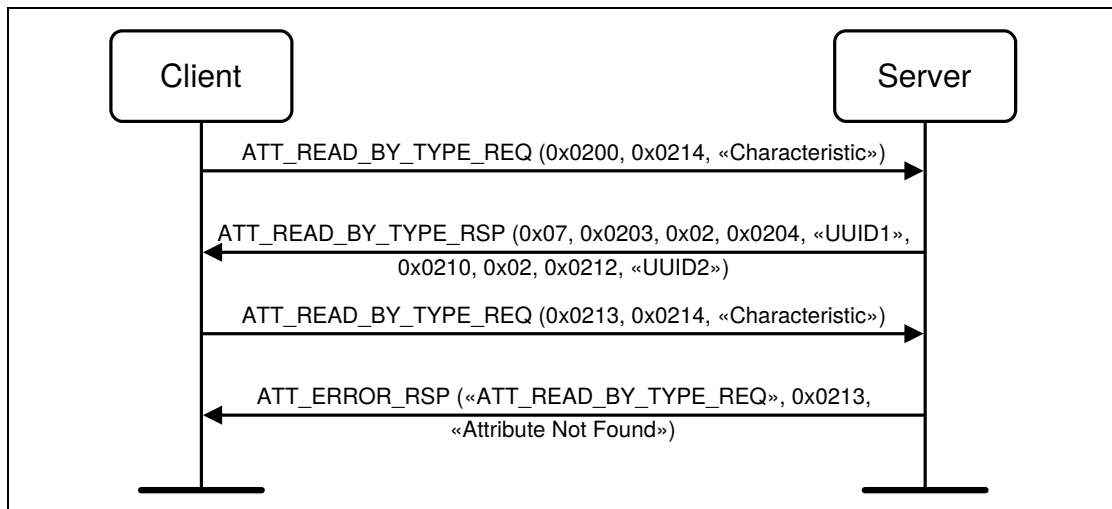


Figure 4.6: Discover Characteristics by UUID example

4.7 CHARACTERISTIC DESCRIPTOR DISCOVERY

This procedure is used by a client to discover characteristic descriptors of a characteristic. Once the characteristic descriptors are discovered additional information about the characteristic descriptors can be accessed using other procedures.

There is one sub-procedure that can be used for characteristic descriptor discovery: Discover All Characteristic Descriptors.

4.7.1 Discover All Characteristic Descriptors

This sub-procedure is used by a client to find all the characteristic descriptor's Attribute Handles and Attribute Types within a characteristic definition when only the characteristic handle range is known. The characteristic specified is identified by the characteristic handle range.

The ATT_FIND_INFORMATION_REQ PDU shall be used with the Starting Handle set to the handle of the specified characteristic value + 1 and the *Ending Handle* set to the ending handle of the specified characteristic.

Two possible responses can be sent from the server for the ATT_FIND_INFORMATION_REQ PDU: ATT_FIND_INFORMATION_RSP and ATT_ERROR_RSP PDUs.

An ATT_ERROR_RSP PDU is returned if an error occurred on the server.

The ATT_FIND_INFORMATION_RSP PDU returns a list of *Attribute Handle* and *Attribute Type* pairs corresponding to the characteristic descriptors in the characteristic definition. The *Attribute Handle* is the handle for the



characteristic descriptor declaration. The *Attribute Type* is the characteristic descriptor UUID. The ATT_FIND_INFORMATION_REQ PDU shall be issued again with the *Starting Handle* set to one greater than the last *Attribute Handle* in the ATT_FIND_INFORMATION_RSP PDU.

The sub-procedure is complete when the ATT_ERROR_RSP PDU is received and the Error Code parameter is set to *Attribute Not Found* (0x0A) or the ATT_FIND_INFORMATION_RSP PDU has an *Attribute Handle* that is equal to the *Ending Handle* of the request.

The sub-procedure may end early if a desired Characteristic Descriptor is found prior to discovering all the characteristic descriptors of the specified characteristic.

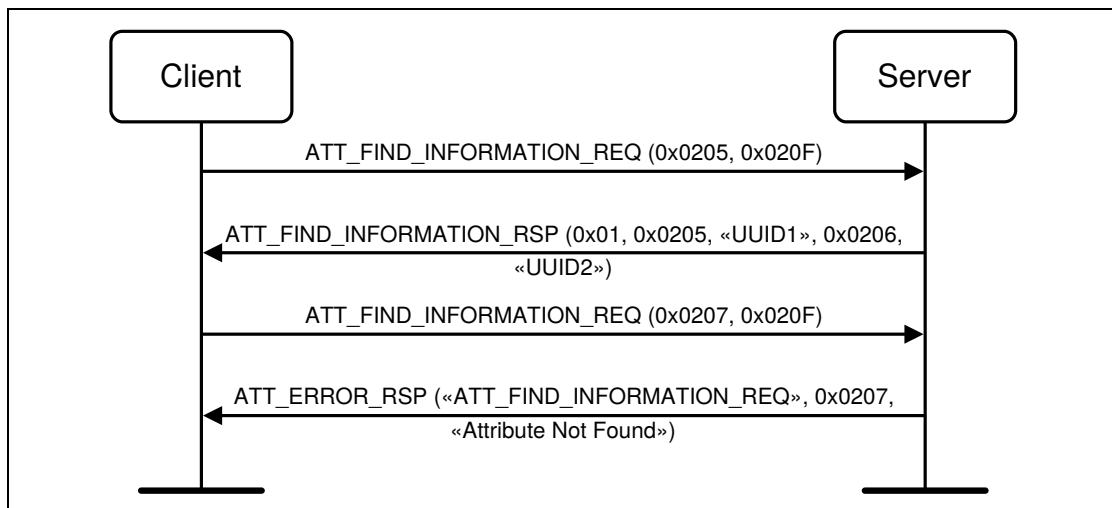


Figure 4.7: Discover All Characteristic Descriptors example

4.8 CHARACTERISTIC VALUE READ

This procedure is used to read a *Characteristic Value* from a server. There are four sub-procedures that can be used to read a *Characteristic Value*: Read Characteristic Value, Read Using Characteristic UUID, Read Long Characteristic Values, and Read Multiple Characteristic Values.

4.8.1 Read Characteristic Value

This sub-procedure is used to read a *Characteristic Value* from a server when the client knows the *Characteristic Value Handle*. The ATT_READ_REQ PDU is used with the *Attribute Handle* parameter set to the *Characteristic Value Handle*. The ATT_READ_RSP PDU returns the *Characteristic Value* in the *Attribute Value* parameter.

The ATT_READ_RSP PDU only contains the complete *Characteristic Value* if that is less than or equal to (ATT_MTU – 1) octets in length. If the *Characteristic Value* is greater than (ATT_MTU – 1) octets in length, the



ATT_READ_RSP PDU only contains the first portion of the *Characteristic Value* and the *Read Long Characteristic Value* procedure may be used if the rest is required.

An ATT_ERROR_RSP PDU shall be sent by the server in response to the ATT_READ_REQ PDU if insufficient authentication, insufficient authorization, a too-short encryption key size is used by the client, or if a read operation is not permitted on the *Characteristic Value*. The *Error Code* parameter is set as specified in the Attribute Protocol.

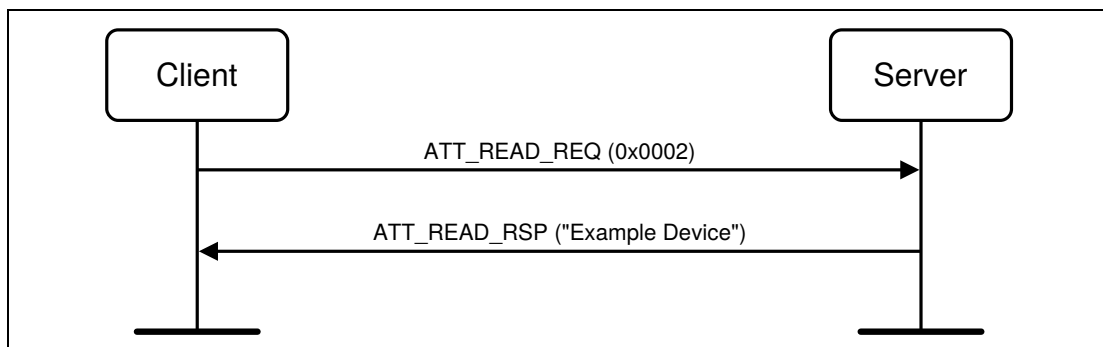


Figure 4.8: Read Characteristic Value example

4.8.2 Read Using Characteristic UUID

This sub-procedure is used to read a *Characteristic Value* from a server when the client only knows the characteristic UUID and does not know the handle of the characteristic.

The ATT_READ_BY_TYPE_REQ PDU is used to perform the sub-procedure. The Attribute Type is set to the known characteristic UUID and the Starting Handle and Ending Handle parameters shall be set to the range over which this read is to be performed. This is typically the handle range for the service in which the characteristic belongs.

Two possible responses can be sent from the server for the ATT_READ_BY_TYPE_REQ PDU: ATT_READ_BY_TYPE_RSP and ATT_ERROR_RSP PDUs.

An ATT_ERROR_RSP PDU is returned if an error occurred on the server.

The ATT_READ_BY_TYPE_RSP PDU returns a list of *Attribute Handle* and *Attribute Value* pairs corresponding to the first characteristics contained in the handle range that will fit into the ATT_READ_BY_TYPE_RSP PDU. This procedure does not return the complete list of all characteristics with the given characteristic UUID within the range of values. If such an operation is required, then the *Discover All Characteristics by UUID* sub procedure shall be used.



If the ATT_ERROR_RSP PDU is sent by the server with the Error Code parameter set to *Attribute Not Found* (0x0A), the characteristic does not exist on the server within the handle range provided.

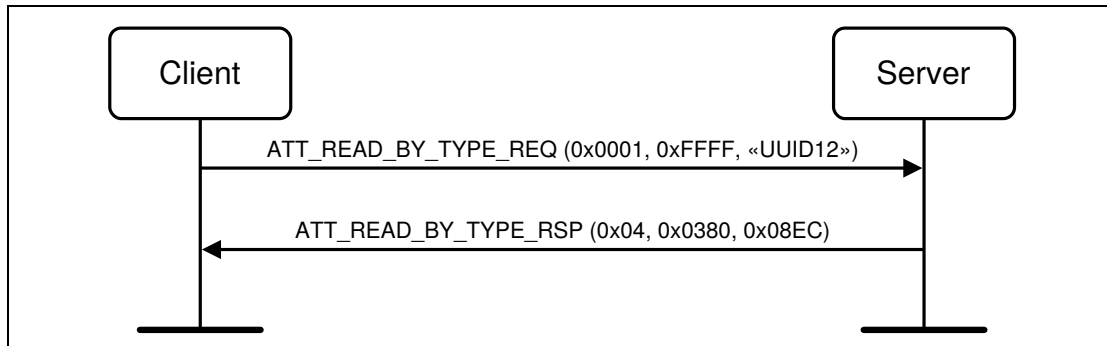


Figure 4.9: Read Using Characteristic UUID example

4.8.3 Read Long Characteristic Values

This sub-procedure is used to read a *Characteristic Value* from a server when the client knows the *Characteristic Value Handle* and the length of the *Characteristic Value* is longer than can be sent in a single ATT_READ_RSP PDU.

The ATT_READ_REQ and ATT_READ_BLOB_REQ PDUs are used to perform this sub-procedure. The *Attribute Handle* shall be set to the *Characteristic Value Handle* of the *Characteristic Value* to be read. To read the complete *Characteristic Value* an ATT_READ_REQ PDU should be used for the first part of the value and ATT_READ_BLOB_REQ PDUs shall be used for the rest. The Value Offset parameter of each ATT_READ_BLOB_REQ PDU shall be set to the offset of the next octet within the *Characteristic Value* that has yet to be read. The ATT_READ_BLOB_REQ PDU is repeated until the ATT_READ_BLOB_RSP PDU's *Part Attribute Value* parameter is shorter than (ATT_MTU – 1).

For each ATT_READ_BLOB_REQ PDU a ATT_READ_BLOB_RSP PDU is received with a portion of the *Characteristic Value* contained in the *Part Attribute Value* parameter.

An ATT_ERROR_RSP PDU shall be sent by the server in response to the ATT_READ_BLOB_REQ PDU if insufficient authentication, insufficient authorization, a too-short encryption key size is used by the client, or if a read operation is not permitted on the *Characteristic Value*. The Error Code parameter is set as specified in the Attribute Protocol. If the *Characteristic Value* has a fixed length that is not longer than (ATT_MTU – 1), then the server may respond to the first ATT_READ_BLOB_REQ_PDU with an ATT_ERROR_RSP PDU with the Error Code parameter set to *Attribute Not Long* (0x0B).



Note: The ATT_READ_BLOB_REQ PDU with zero offset may be used to read the first part of the value of the Attribute.

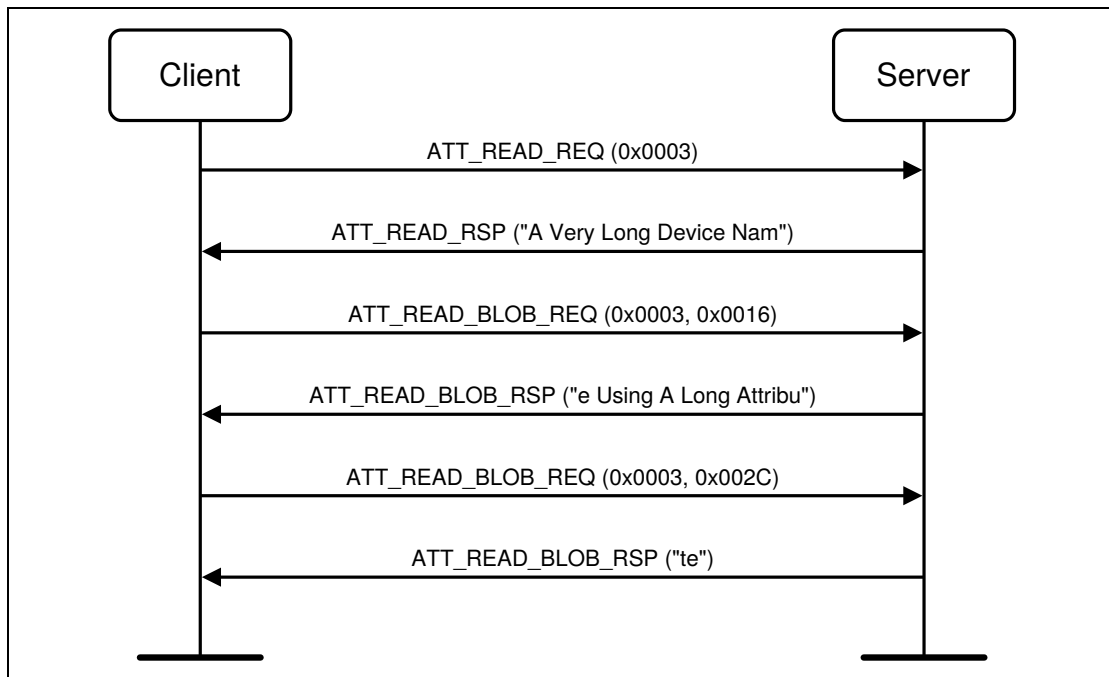


Figure 4.10: Read Long Characteristic Values example

4.8.4 Read Multiple Characteristic Values

This sub-procedure is used to read multiple *Characteristic Values* from a server when the client knows the *Characteristic Value Handles*. The ATT_READ_MULTIPLE_REQ PDU is used with the *Set Of Handles* parameter set to the *Characteristic Value Handles*. The ATT_READ_MULTIPLE_RSP PDU returns the *Characteristic Values* in the *Set Of Values* parameter.

The ATT_READ_MULTIPLE_RSP PDU only contains a set of *Characteristic Values* that is less than or equal to (ATT_MTU – 1) octets in length. If the *Set Of Values* is greater than (ATT_MTU – 1) octets in length, only the first (ATT_MTU – 1) octets are included in the response.

Note: A client should not request multiple *Characteristic Values* when the response’s *Set Of Values* parameter is equal to (ATT_MTU – 1) octets in length since it is not possible to determine if the last *Characteristic Value* was read or additional *Characteristic Values* exist but were truncated.

An ATT_ERROR_RSP PDU shall be sent by the server in response to the ATT_READ_MULTIPLE_RSP PDU if insufficient authentication, insufficient authorization, a too-short encryption key size, or insufficient encryption is used by the client, or if a read operation is not permitted on any of the *Characteristic Values*. The *Error Code* parameter is set as specified in the Attribute Protocol.



Refer to the Attribute Protocol specification for the format of the *Set Of Handles* and *Set Of Values* parameter.

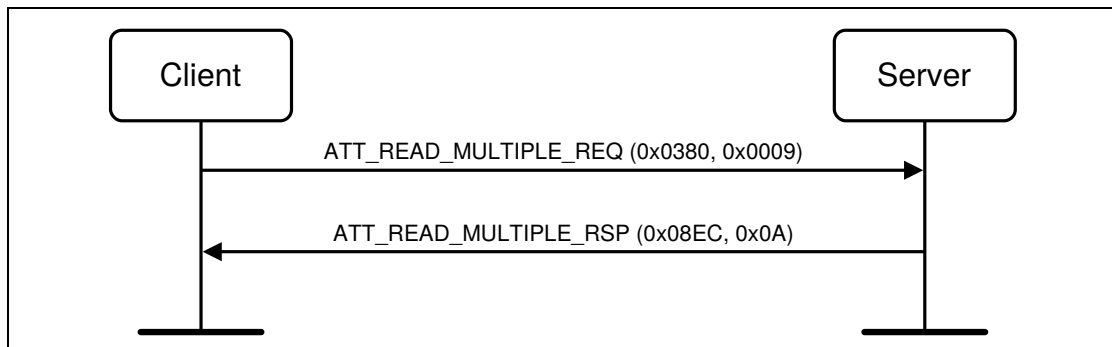


Figure 4.11: Read Multiple Characteristic Values example

4.8.5 Read Multiple Variable Length Characteristic Values

This sub-procedure is used to read multiple variable length Characteristic Values from a server when the client knows the Characteristic Value Handles. The Attribute Protocol ATT_READ_MULTIPLE_VARIABLE_REQ PDU is used with the Set Of Handles parameter set to the Characteristic Value Handles. The ATT_READ_MULTIPLE_VARIABLE_RSP PDU returns the Characteristic Values in the Length Value Tuple List parameter.

The ATT_READ_MULTIPLE_VARIABLE_RSP PDU can only contain a Length Value Tuple List that is less than or equal to $(ATT_MTU - 1)$ octets in length. If the Length Value Tuple List is greater than $(ATT_MTU - 1)$ octets in length, only the first $(ATT_MTU - 1)$ octets are included in the response.

An ATT_ERROR_RSP PDU shall be sent by the server in response to the ATT_READ_MULTIPLE_VARIABLE_REQ PDU if insufficient authentication, insufficient authorization, a too-short encryption key size, or insufficient encryption is used by the client, or if a read operation is not permitted on any of the Characteristic Values. The Error Code parameter is set as specified in the Attribute Protocol.



Refer to the Attribute Protocol specification for the format of the Set Of Handles and Length Value Tuple List parameter.

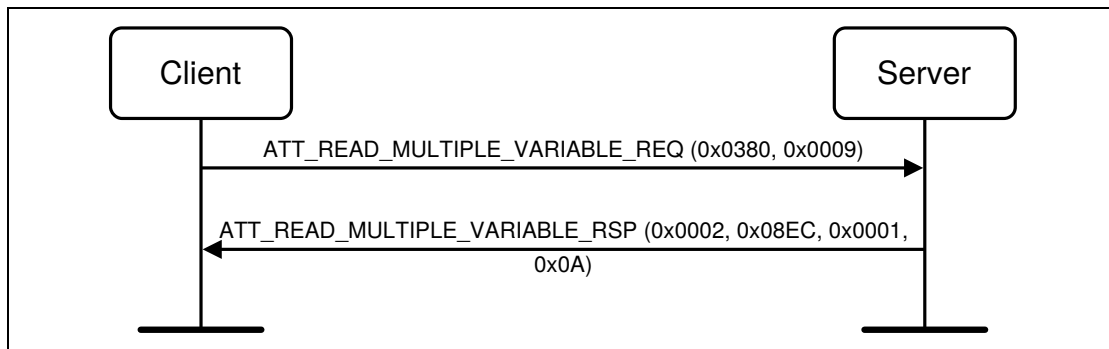


Figure 4.12: Read Multiple Variable Length Characteristic Values example

4.9 CHARACTERISTIC VALUE WRITE

This procedure is used to write a *Characteristic Value* to a server.

There are five sub-procedures that can be used to write a *Characteristic Value*: Write Without Response, Signed Write Without Response, Write Characteristic Value, Write Long Characteristic Values and Reliable Writes.

4.9.1 Write Without Response

This sub-procedure is used to write a *Characteristic Value* to a server when the client knows the *Characteristic Value Handle* and the client does not need an acknowledgment that the write was successfully performed. This sub-procedure only writes the first (ATT_MTU – 3) octets of a *Characteristic Value*. This sub-procedure cannot be used to write a long characteristic; instead the *Write Long Characteristic Values* sub-procedure should be used.

The ATT_WRITE_CMD PDU is used for this sub-procedure. The *Attribute Handle* parameter shall be set to the *Characteristic Value Handle*. The *Attribute Value* parameter shall be set to the new *Characteristic Value*.

If the *Characteristic Value* write request is the wrong size, or has an invalid value as defined by the profile, then the write shall not succeed and no error shall be generated by the server.

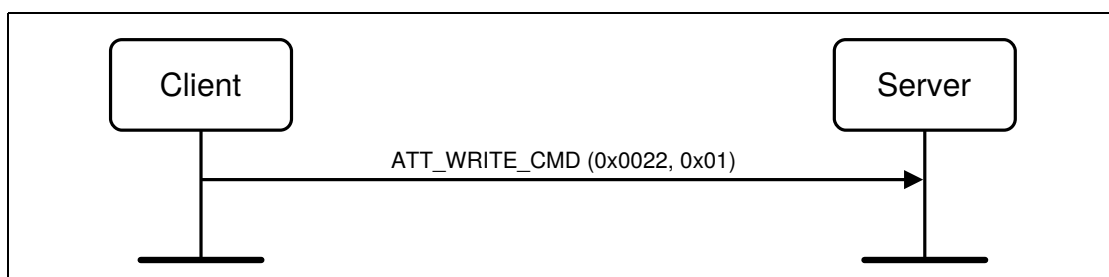


Figure 4.13: Write Without Response example

4.9.2 Signed Write Without Response

This sub-procedure is used to write a *Characteristic Value* to a server when the client knows the *Characteristic Value Handle* and the ATT bearer is not encrypted. This sub-procedure shall only be used if the *Characteristic Properties* authenticated bit is enabled and the client and server device share a bond as defined in [Vol 3] Part C, Generic Access Profile.

This sub-procedure only writes the first (ATT_MTU – 15) octets of an *Attribute Value*. This sub-procedure cannot be used to write a long Attribute.

The ATT_SIGNED_WRITE_CMD PDU is used for this sub-procedure. The *Attribute Handle* parameter shall be set to the *Characteristic Value Handle*. The *Attribute Value* parameter shall be set to the new *Characteristic Value* authenticated by signing the value, as defined in the Security Manager [Vol 3] Part H, Section 2.4.5.

If the authenticated *Characteristic Value* that is written is the wrong size, has an invalid value as defined by the profile, or the signed value does not authenticate the client, then the write shall not succeed and no error shall be generated by the server.

If a connection is already encrypted with LE security mode 1, level 2 or level 3 as defined in [Vol 3] Part C, Section 10.2 then, a Write Without Response as defined in Section 4.9.1 shall be used instead of a Signed Write Without Response.

On BR/EDR, the ATT bearer is always encrypted, due to the use of Security Mode 4, therefore this sub-procedure shall not be used.

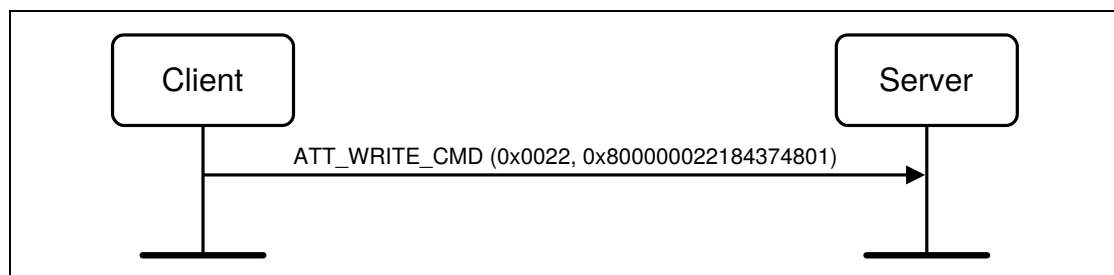


Figure 4.14: Signed Write Without Response example

4.9.3 Write Characteristic Value

This sub-procedure is used to write a *Characteristic Value* to a server when the client knows the *Characteristic Value Handle*. This sub-procedure only writes the first (ATT_MTU – 3) octets of a *Characteristic Value*. This sub-procedure cannot be used to write a long Attribute; instead the *Write Long Characteristic Values* sub-procedure should be used.



The ATT_WRITE_REQ PDU is used to for this sub-procedure. The *Attribute Handle* parameter shall be set to the *Characteristic Value Handle*. The *Attribute Value* parameter shall be set to the new characteristic.

An ATT_WRITE_RSP PDU shall be sent by the server if the write of the *Characteristic Value* succeeded.

An ATT_ERROR_RSP PDU shall be sent by the server in response to the ATT_WRITE_REQ PDU if insufficient authentication, insufficient authorization, a too-short encryption key size is used by the client, or if a write operation is not permitted on the *Characteristic Value*. The Error Code parameter is set as specified in the Attribute Protocol. If the *Characteristic Value* that is written is the wrong size, or has an invalid value as defined by the profile, then the value shall not be written and an ATT_ERROR_RSP PDU shall be sent with the Error Code parameter set to *Application Error* (0x80 – 0x9F) by the server.

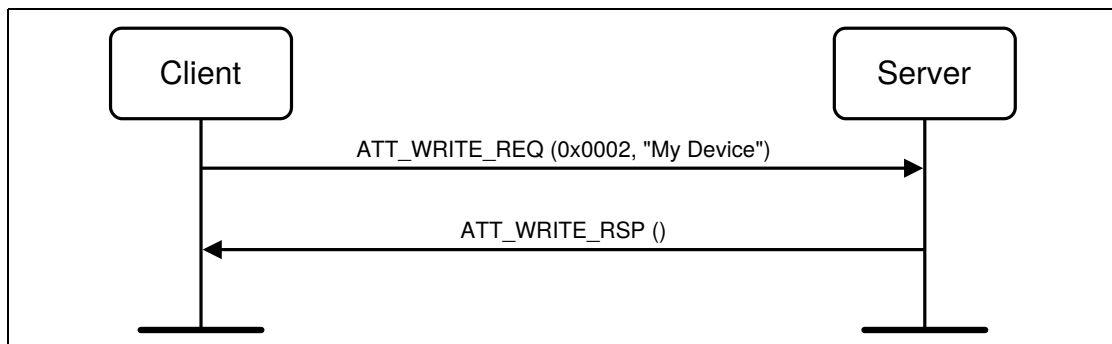


Figure 4.15: Write Characteristic Value example

4.9.4 Write Long Characteristic Values

This sub-procedure is used to write a *Characteristic Value* to a server when the client knows the *Characteristic Value Handle* but the length of the *Characteristic Value* is longer than can be sent in a single ATT_WRITE_REQ PDU.

The ATT_PREPARE_WRITE_REQ and ATT_EXECUTE_WRITE_REQ PDUs are used to perform this sub-procedure. The *Attribute Handle* parameter shall be set to the *Characteristic Value Handle* of the *Characteristic Value* to be written. The *Part Attribute Value* parameter shall be set to the part of the *Attribute Value* that is being written. The *Value Offset* parameter shall be the offset within the *Characteristic Value* to be written. To write the complete *Characteristic Value* the offset should be set to 0x0000 for the first ATT_PREPARE_WRITE_REQ PDU. The offset for subsequent ATT_PREPARE_WRITE_REQ PDUs is the next octet that has yet to be written. The ATT_PREPARE_WRITE_REQ PDU is repeated until the complete *Characteristic Value* has been transferred, after which an ATT_EXECUTE_WRITE_REQ PDU is used to write the complete value.



Note: The values in the ATT_PREPARE_WRITE_RSP PDU do not need to be verified in this sub-procedure.

An ATT_ERROR_RSP PDU shall be sent by the server in response to the ATT_PREPARE_WRITE_REQ PDU if insufficient authentication, insufficient authorization, a too-short encryption key size is used by the client, or if a write operation is not permitted on the *Characteristic Value*. The Error Code parameter is set as specified in the Attribute Protocol. If the *Attribute Value* that is written is the wrong size, or has an invalid value as defined by the profile, then the write shall not succeed and an ATT_ERROR_RSP PDU shall be sent with the Error Code parameter set to *Application Error* (0x80 – 0x9F) by the server.

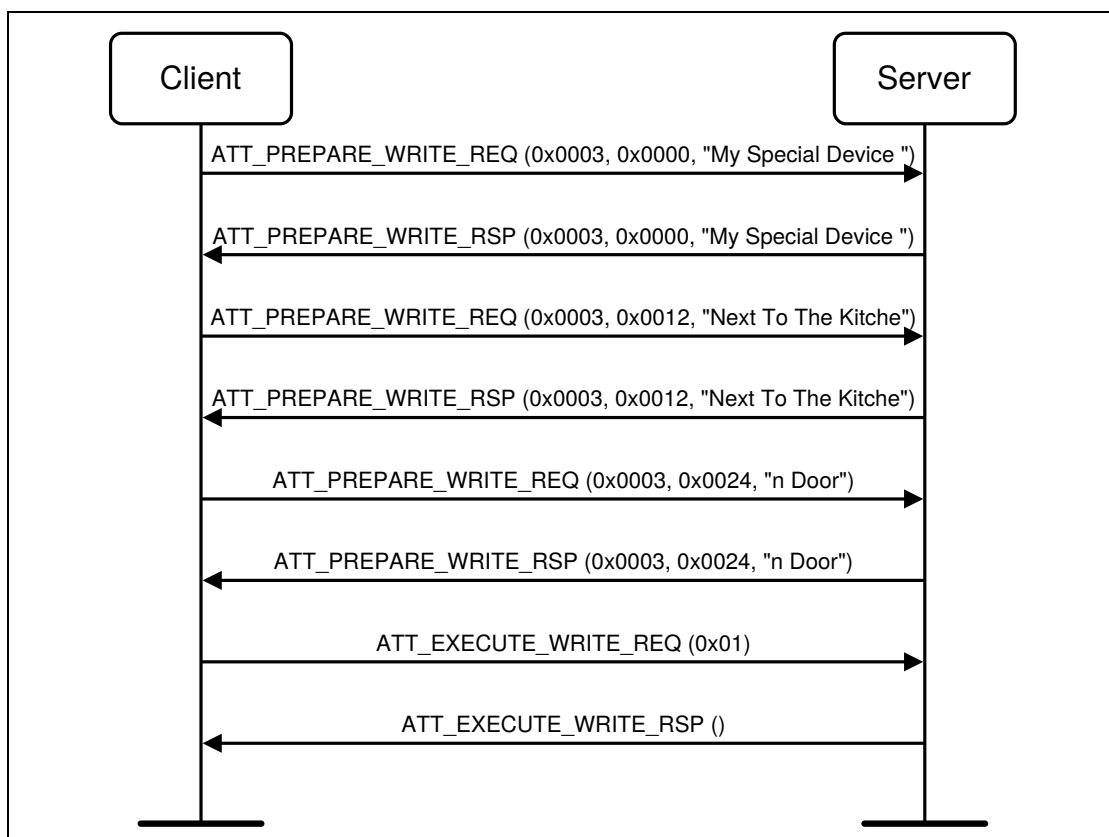


Figure 4.16: Write Long Characteristic Values example

4.9.5 Reliable Writes

This sub-procedure is used to write a *Characteristic Value* to a server when the client knows the *Characteristic Value Handle*, and assurance is required that the correct *Characteristic Value* is going to be written by transferring the *Characteristic Value* to be written in both directions before the write is performed. A higher-layer protocol can also use this sub-procedure to write multiple values in order in a single operation.

The sub-procedure has two phases; the first phase prepares the *Characteristic Values* to be written. To do this, the client transfers the *Characteristic Values* to



the server. The server checks the validity of the *Characteristic Values*. The client also checks each *Characteristic Value* to verify it was correctly received by the server using the server responses. Once this is complete, the second phase performs the execution of all of the prepared *Characteristic Value* writes on the server from this client.

In the first phase, the ATT_PREPARE_WRITE_REQ PDU is used. The *Attribute Handle* shall be set to the *Characteristic Value Handle* that is to be prepared to write. The *Value Offset* and *Part Attribute Value* parameter shall be set to the new *Characteristic Value*.

Two possible responses can be sent from the server for the ATT_PREPARE_WRITE_REQ PDU: ATT_PREPARE_WRITE_RSP and ATT_ERROR_RSP PDUs.

If the number of prepared write requests exceeds the number of prepared writes supported, then an ATT_ERROR_RSP PDU with the *Error Code* parameter set to *Prepare Queue Full* (0x09) shall be sent by the server.

An ATT_ERROR_RSP PDU shall be sent by the server in response to the ATT_PREPARE_WRITE_REQ PDU if insufficient authentication, insufficient authorization, a too-short encryption key size is used by the client, or if a write operation is not permitted on the *Characteristic Value*. The *Error Code* parameter is set as specified in the Attribute Protocol.

If a *Characteristic Value* is prepared two or more times during this sub-procedure, then all prepared values are written to the same *Characteristic Value* in the order that they were prepared.

If an ATT_PREPARE_WRITE_RSP PDU is returned, then the *Value Offset* and *Part Attribute Value* parameter in the response shall be checked with the *Value Offset* and *Part Attribute Value* parameter that was sent in the ATT_PREPARE_WRITE_REQ PDU; if they are different, then the value has been corrupted during transmission, and the sub-procedure shall be aborted by sending an ATT_EXECUTE_WRITE_REQ PDU with the *Flags* parameter set to 0x00 to cancel all prepared writes. The complete sub-procedure may be restarted.

Multiple ATT_PREPARE_WRITE_REQ PDUs can be sent by a client, each of which will be queued by the server.

In the second phase, the ATT_EXECUTE_WRITE_REQ PDU is used. The *Attribute Flags* parameter shall be set to 0x01 to immediately write all pending prepared values in the order that they were prepared. The server shall write the prepared writes once it receives this request and shall only send the ATT_EXECUTE_WRITE_RSP PDU once all the prepared values have been successfully written. If the *Characteristic Value* that is written is the wrong size, or has an invalid value as defined by the profile, then the write shall not succeed, and an ATT_ERROR_RSP PDU with the *Error Code* parameter set to



Application Error (0x80 – 0x9F) shall be sent by the server. The state of the Characteristic Values that were prepared is undefined.

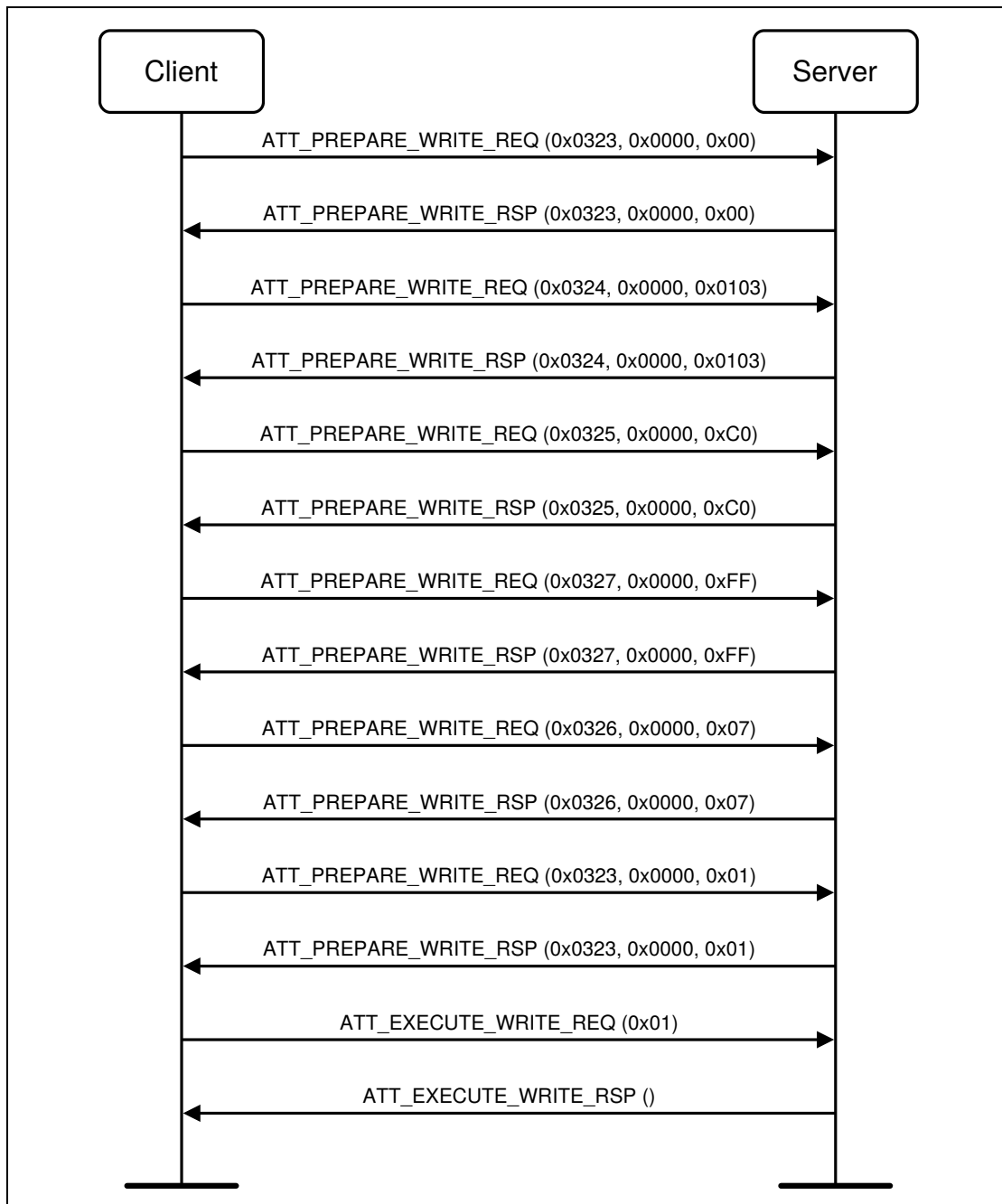


Figure 4.17: Reliable Writes example

4.10 CHARACTERISTIC VALUE NOTIFICATION

This procedure is used to notify a client of the value of a *Characteristic Value* from a server without expecting any Attribute Protocol layer acknowledgment that the notification was successfully received. There are two sub-procedures that can be used to notify a value: Single Notifications and Multiple Variable



Length Notifications. Notifications can be configured using the Client Characteristic Configuration descriptor (See [Section 3.3.3.3](#)).

A profile defines when to use Notifications.

4.10.1 Single Notifications

This sub-procedure is used when a server is configured to notify a *Characteristic Value* to a client.

The ATT_HANDLE_VALUE_NTF PDU is used to perform this sub-procedure. The *Attribute Handle* parameter shall be set to the *Characteristic Value Handle* being notified, and the *Attribute Value* parameter shall be set to the *Characteristic Value*.

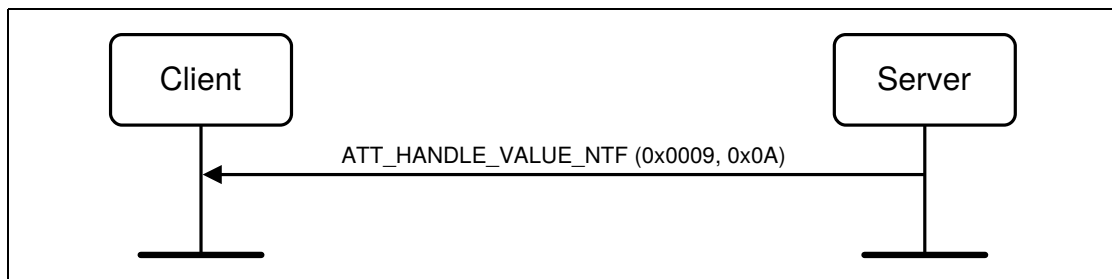


Figure 4.18: Notifications example

4.10.2 Multiple Variable Length Notifications

This sub-procedure is used when a server is configured to notify multiple *Characteristic Values* to a client.

The Attribute Protocol ATT_MULTIPLE_HANDLE_VALUE_NTF PDU is used to perform this sub-procedure. The Handle Length Value Tuple List parameter shall include the set of *Characteristic Value Handles* and associated *Attribute Values*.

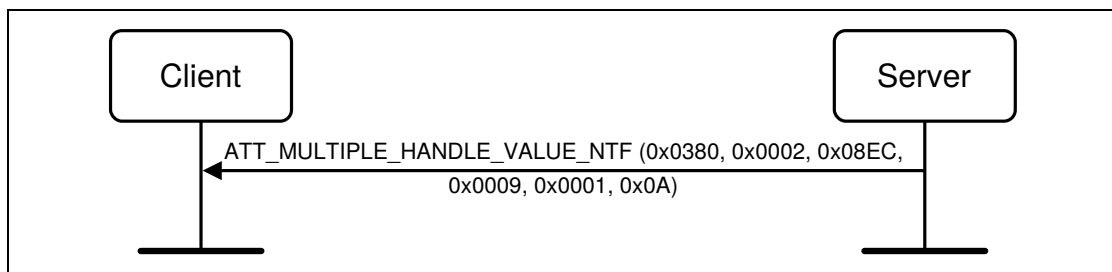


Figure 4.19: Multiple Variable Length Notifications example

4.11 CHARACTERISTIC VALUE INDICATIONS

This procedure is used to indicate the *Characteristic Value* from a server to a client. There is one sub-procedure that can be used to indicate a value:



Indications. Indications can be configured using the Client Characteristic Configuration descriptor (See [Section 3.3.3.3](#)).

A profile defines when to use Indications.

4.11.1 Indications

This sub-procedure is used when a server is configured to indicate a *Characteristic Value* to a client and expects an Attribute Protocol layer acknowledgment that the indication was successfully received.

The ATT_HANDLE_VALUE_IND PDU is used to perform this sub-procedure. The *Attribute Handle* parameter shall be set to the *Characteristic Value Handle* being indicated, and the *Attribute Value* parameter shall be set to the *Characteristic Value*. Once the ATT_HANDLE_VALUE_IND PDU is received by the client, the client shall respond with an ATT_HANDLE_VALUE_CFM PDU.

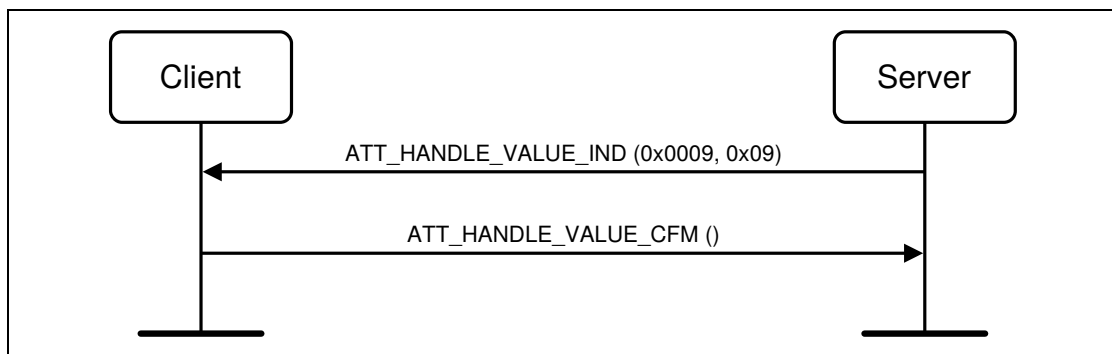


Figure 4.20: Indications example

4.12 CHARACTERISTIC DESCRIPTORS

This procedure is used to read and write characteristic descriptors on a server. There are two sub-procedures that can be used to read and write characteristic descriptors: Read Characteristic Descriptors and Write Characteristic Descriptors.

4.12.1 Read Characteristic Descriptors

This sub-procedure is used to read a characteristic descriptor from a server when the client knows the characteristic descriptor declaration's Attribute handle.

The ATT_READ_REQ PDU is used for this sub-procedure. The ATT_READ_REQ PDU is used with the *Attribute Handle* parameter set to the characteristic descriptor handle. The ATT_READ_RSP PDU returns the characteristic descriptor value in the *Attribute Value* parameter.



An ATT_ERROR_RSP PDU shall be sent by the server in response to the ATT_READ_REQ PDU if insufficient authentication, insufficient authorization, a too-short encryption key size is used by the client, or if a read operation is not permitted on the *Characteristic Value*. The *Error Code* parameter is set accordingly.

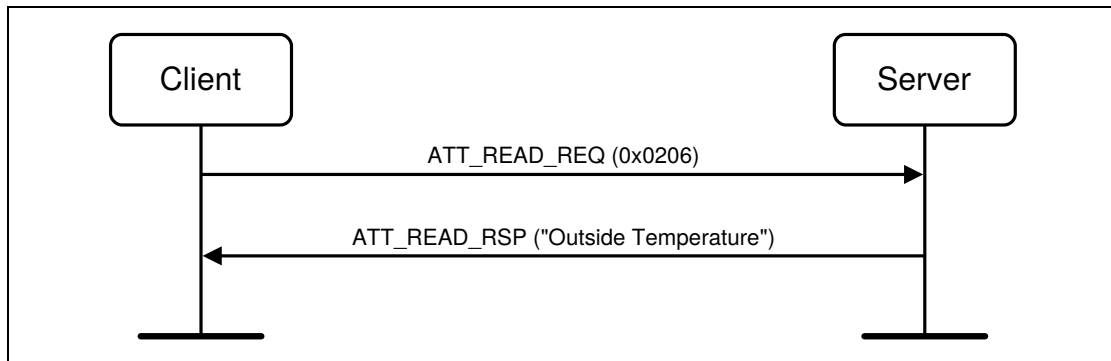


Figure 4.21: Read Characteristic Descriptors example

4.12.2 Read Long Characteristic Descriptors

This sub-procedure is used to read a characteristic descriptor from a server when the client knows the characteristic descriptor declaration's Attribute handle and the length of the characteristic descriptor declaration is longer than can be sent in a single ATT_READ_RSP PDU.

The ATT_READ_BLOB_REQ PDU is used to perform this sub-procedure. The Attribute Handle parameter shall be set to the characteristic descriptor handle. The Value Offset parameter shall be the offset within the characteristic descriptor to be read. To read the complete characteristic descriptor the offset should be set to 0x00 for the first ATT_READ_BLOB_REQ PDU. The offset for subsequent ATT_READ_BLOB_REQ PDUs is the next octet that has yet to be read. The ATT_READ_BLOB_REQ PDU is repeated until the ATT_READ_BLOB_RSP PDU's Part Attribute Value parameter is zero or an ATT_ERROR_RSP PDU is sent by the server with the Error Code parameter set to *Invalid Offset* (0x07).

For each ATT_READ_BLOB_REQ PDU an ATT_READ_BLOB_RSP PDU is received with a portion of the characteristic descriptor value contained in the Part Attribute Value parameter.

An ATT_ERROR_RSP PDU shall be sent by the server in response to the ATT_READ_BLOB_REQ PDU if insufficient authentication, insufficient authorization, a too-short encryption key size is used by the client, or if a read



operation is not permitted on the characteristic descriptor. The Error Code parameter is set accordingly.

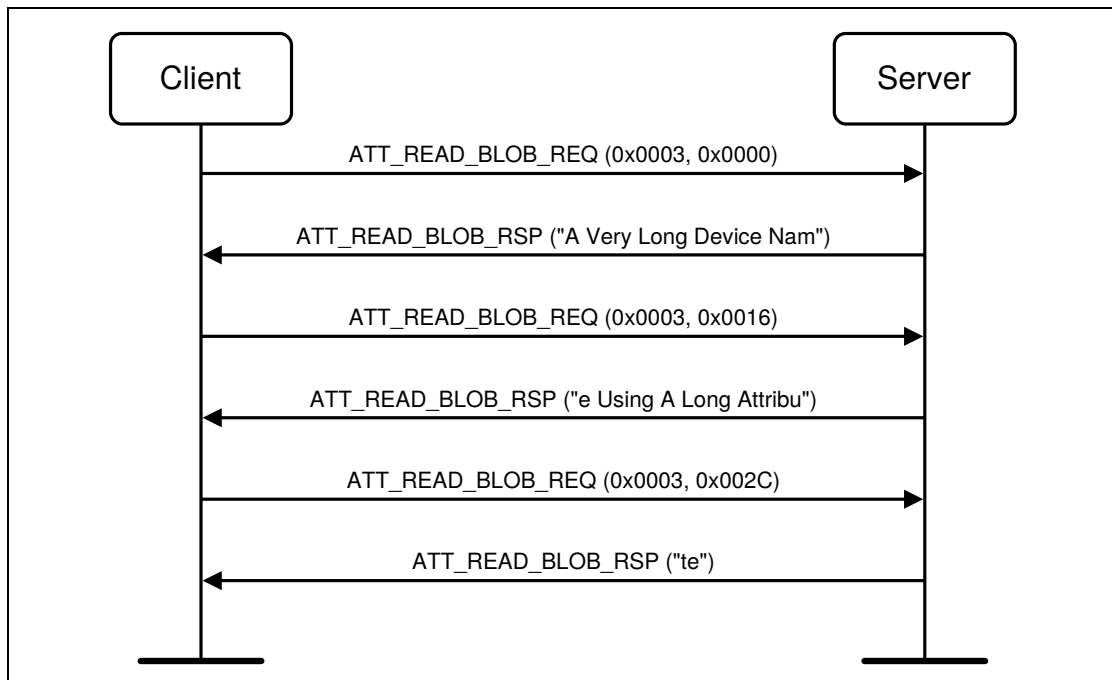


Figure 4.22: Read Long Characteristic Descriptors example

Note: The ATT_READ_BLOB_REQ PDU may be used to read the remainder of an characteristic descriptor value where the first part was read using a simple ATT_READ_REQ PDU.

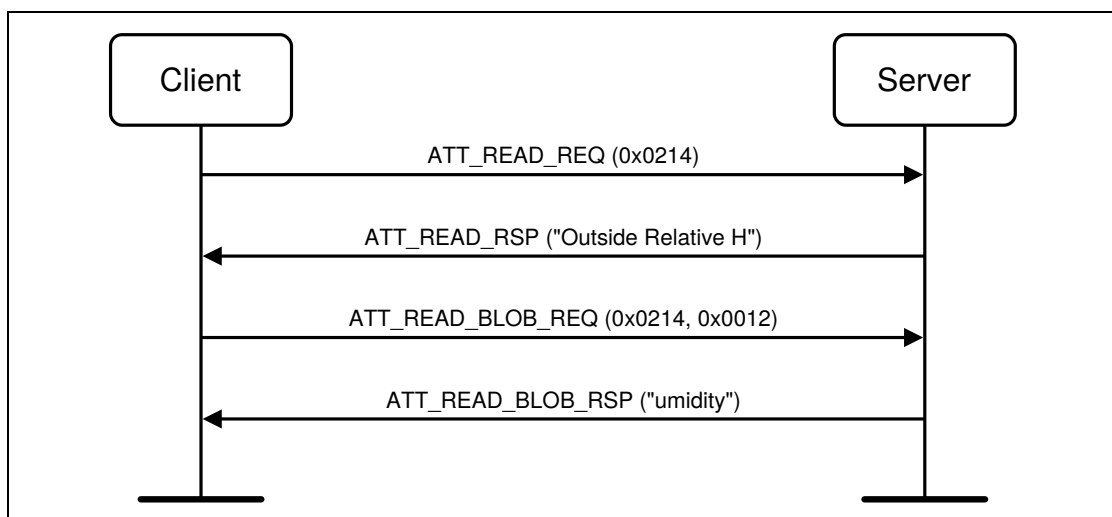


Figure 4.23: Read Long Characteristic Descriptors (following simple read) example

4.12.3 Write Characteristic Descriptors

This sub-procedure is used to write a characteristic descriptor value to a server when the client knows the characteristic descriptor handle.



The ATT_WRITE_REQ PDU is used for this sub-procedure. The *Attribute Handle* parameter shall be set to the characteristic descriptor handle. The *Attribute Value* parameter shall be set to the new characteristic descriptor value.

An ATT_WRITE_RSP PDU shall be sent by the server if the write of the characteristic descriptor value succeeded.

An ATT_ERROR_RSP PDU shall be sent by the server in response to the ATT_WRITE_REQ PDU if insufficient authentication, insufficient authorization, a too-short encryption key size is used by the client, or if a write operation is not permitted on the *Characteristic Value*. The Error Code parameter shall be set as specified in the Attribute Protocol. If the characteristic descriptor value that is written is the wrong size, or has an invalid value as defined by the profile, or the operation is not permitted at this time then the value shall not be written and an ATT_ERROR_RSP PDU shall be sent with the Error Code parameter set to *Application Error* (0x80 – 0x9F) by the server.

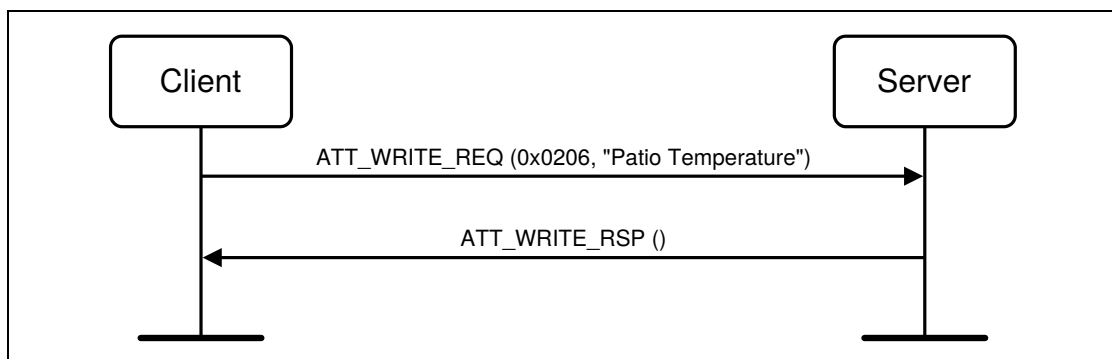


Figure 4.24: Write Characteristic Descriptors example

4.12.4 Write Long Characteristic Descriptors

This sub-procedure is used to write a characteristic descriptor value to a server when the client knows the characteristic descriptor handle but the length of the characteristic descriptor value is longer than can be sent in a single ATT_WRITE_REQ PDU.

The ATT_PREPARE_WRITE_REQ and ATT_EXECUTE_WRITE_REQ PDUs are used to perform this sub-procedure. The *Attribute Handle* parameter shall be set to the *Characteristic Descriptor Handle* of the *Characteristic Value* to be written. The *Part Attribute Value* parameter shall be set to the part of the *Attribute Value* that is being written. The *Value Offset* parameter shall be the offset within the *Characteristic Value* to be written. To write the complete *Characteristic Value* the offset should be set to 0x0000 for the first ATT_PREPARE_WRITE_REQ PDU. The offset for subsequent ATT_PREPARE_WRITE_REQ PDUs is the next octet that has yet to be written. The ATT_PREPARE_WRITE_REQ PDU is repeated until the complete *Characteristic Value* has been transferred, after which an ATT_EXECUTE_WRITE_REQ PDU is used to write the complete value.



Note: The values in the ATT_PREPARE_WRITE_RSP PDU do not need to be verified in this sub-procedure.

An ATT_ERROR_RSP PDU shall be sent by the server in response to the ATT_PREPARE_WRITE_REQ or ATT_EXECUTE_WRITE_REQ PDUs if insufficient authentication, insufficient authorization, a too-short encryption key size is used by the client, or if a write operation is not permitted on the *Characteristic Value*. The Error Code parameter is set as specified in the Attribute Protocol. If the *Attribute Value* that is written is the wrong size, or has an invalid value as defined by the profile, then the write shall not succeed and an ATT_ERROR_RSP PDU shall be sent with the Error Code parameter set to *Application Error* (0x80 – 0x9F) by the server.

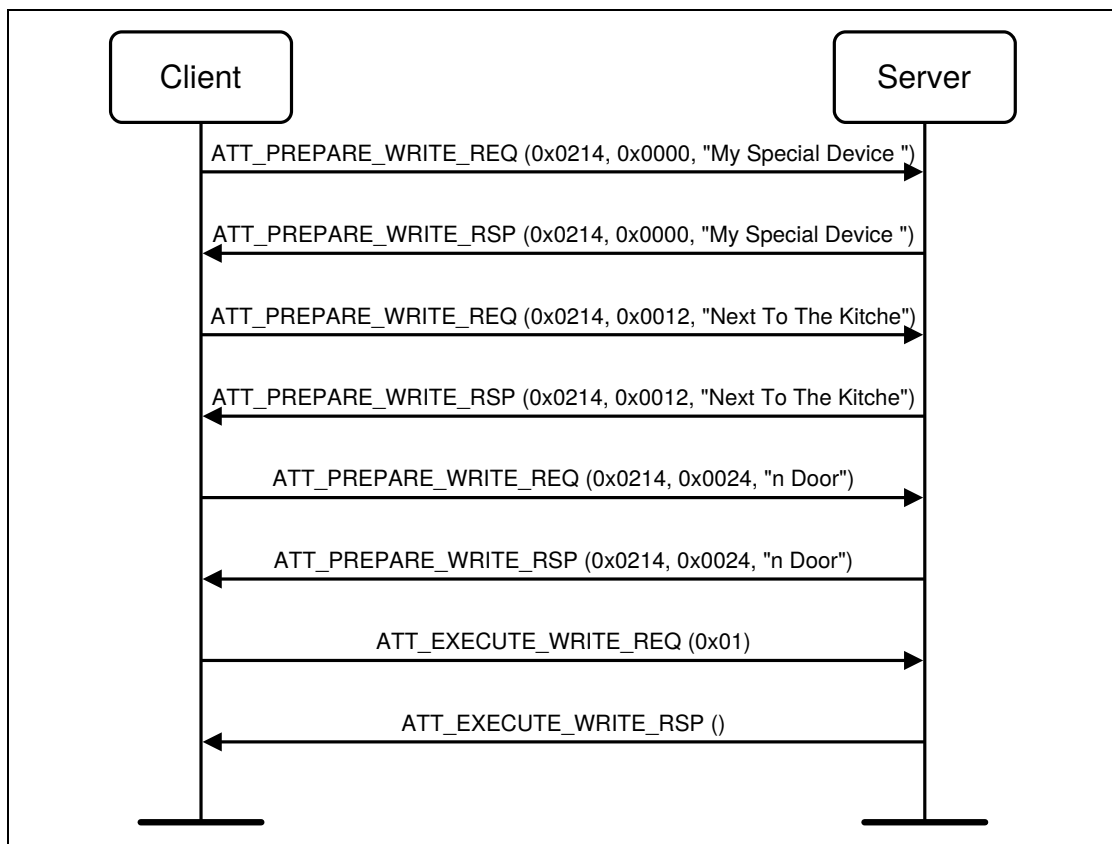


Figure 4.25: Write Long Characteristic Descriptors example

4.13 GATT PROCEDURE MAPPING TO ATT PROTOCOL OPCODES

Table 4.2 describes the mapping of the ATT protocol opcodes to the GATT procedures and sub-procedures. Only those portions of the ATT protocol



requests, responses, notifications or indications necessary to implement the mandatory or supported optional sub-procedures is required.

Feature	Sub-Procedure	ATT Protocol Opcodes
Server Configuration	Exchange MTU	ATT_EXCHANGE_MTU_REQ ATT_EXCHANGE_MTU_RSP ATT_ERROR_RSP PDU
Primary Service Discovery	Discover All Primary Services	ATT_READ_BY_GROUP_TYPE_REQ ATT_READ_BY_GROUP_TYPE_RSP ATT_ERROR_RSP PDU
	Discover Primary Services By Service UUID	ATT_FIND_BY_TYPE_VALUE_REQ ATT_FIND_BY_TYPE_VALUE_RSP ATT_ERROR_RSP PDU
Relationship Discovery	Find Included Services	ATT_READ_BY_TYPE_REQ ATT_READ_BY_TYPE_RSP ATT_ERROR_RSP PDU
Characteristic Discovery	Discover All Characteristic of a Service	ATT_READ_BY_TYPE_REQ ATT_READ_BY_TYPE_RSP ATT_ERROR_RSP PDU
	Discover Characteristic by UUID	ATT_READ_BY_TYPE_REQ ATT_READ_BY_TYPE_RSP ATT_ERROR_RSP PDU
Characteristic Descriptor Discovery	Discover All Characteristic Descriptors	ATT_FIND_INFORMATION_REQ ATT_FIND_INFORMATION_RSP ATT_ERROR_RSP PDU

Table 4.2: GATT procedure mapping to ATT protocol opcodes



Feature	Sub-Procedure	ATT Protocol Opcodes
Characteristic Value Read	Read Characteristic Value	ATT_READ_REQ ATT_READ_RSP ATT_ERROR_RSP PDU
	Read Using Characteristic UUID	ATT_READ_BY_TYPE_REQ ATT_READ_BY_TYPE_RSP ATT_ERROR_RSP PDU
	Read Long Characteristic Values	ATT_READ_BLOB_REQ ATT_READ_BLOB_RSP ATT_ERROR_RSP PDU
	Read Multiple Characteristic Values	ATT_READ_MULTIPLE_REQ ATT_READ_MULTIPLE_RSP ATT_ERROR_RSP PDU
Characteristic Value Write	Write Without Response	ATT_WRITE_CMD
	Signed Write Without Response	ATT_WRITE_CMD
	Write Characteristic Value	ATT_WRITE_REQ ATT_WRITE_RSP ATT_ERROR_RSP PDU
	Write Long Characteristic Values	ATT_PREPARE_WRITE_REQ ATT_PREPARE_WRITE_RSP ATT_EXECUTE_WRITE_REQ ATT_EXECUTE_WRITE_RSP ATT_ERROR_RSP PDU
	Characteristic Value Reliable Writes	ATT_PREPARE_WRITE_REQ ATT_PREPARE_WRITE_RSP ATT_EXECUTE_WRITE_REQ ATT_EXECUTE_WRITE_RSP ATT_ERROR_RSP PDU
Characteristic Value Notification	Single Notifications	ATT_HANDLE_VALUE_NTF
	Multiple Variable Length Notifications	ATT_MULTIPLE_HANDLE_VALUE_NTF
Characteristic Value Indication	Indications	ATT_HANDLE_VALUE_IND ATT_HANDLE_VALUE_CFM

Table 4.2: GATT procedure mapping to ATT protocol opcodes



Feature	Sub-Procedure	ATT Protocol Opcodes
Characteristic Descriptor Value Read	Read Characteristic Descriptors	ATT_READ_REQ ATT_READ_RSP ATT_ERROR_RSP PDU
	Read Long Characteristic Descriptors	ATT_READ_BLOB_REQ ATT_READ_BLOB_RSP ATT_ERROR_RSP PDU
Characteristic Descriptor Value Write	Write Characteristic Descriptors	ATT_WRITE_REQ ATT_WRITE_RSP ATT_ERROR_RSP PDU
	Write Long Characteristic Descriptors	ATT_PREPARE_WRITE_REQ ATT_PREPARE_WRITE_RSP ATT_PREPARE_WRITE_REQ ATT_PREPARE_WRITE_RSP ATT_ERROR_RSP PDU

Table 4.2: GATT procedure mapping to ATT protocol opcodes

4.14 PROCEDURE TIMEOUTS

GATT procedures are protected from failure with an Attribute Protocol transaction timeout.

If the Attribute Protocol transaction times out, the procedure shall be considered to have failed, and the local higher layer shall be notified. No further GATT procedures shall be performed on that ATT bearer. A new GATT procedure shall only be performed on another ATT bearer.



5 L2CAP INTEROPERABILITY REQUIREMENTS

The following default values shall be used by an implementation of this profile. The default values used may be different depending on the physical channel that the Attribute Protocol is being sent over.

5.1 BR/EDR L2CAP INTEROPERABILITY REQUIREMENTS

When using an Unenhanced ATT bearer, L2CAP connection-oriented channels over BR/EDR not in Enhanced Flow Control Mode can be used to transmit Attribute Protocol PDUs. These channels use the channel establishment procedure from L2CAP using the ATT fixed PSM (see [1]) including the configuration procedure to determine the ATT_MTU (see [Vol 3] Part A, Section 5.1). Therefore, the ATT bearer (or the logical link as referred to in the Attribute Protocol) is, in this case, an established L2CAP connection-oriented channel.

5.1.1 ATT_MTU

At the end of the L2CAP configuration phase, upon transition to the OPEN state, the ATT_MTU for this ATT bearer shall be set to the minimum of the negotiated Maximum Transmission Unit configuration options.

Note: The minimum ATT_MTU for BR/EDR is 48 octets, as defined by L2CAP in [Vol 3] Part A, Section 5.1.

5.1.2 BR/EDR channel requirements

All Attribute Protocol messages sent by GATT over an L2CAP channel are sent using a dynamic channel ID derived by connecting using a fixed PSM. The use of a fixed PSM allows rapid reconnection of the L2CAP channel for Attribute Protocol as a preliminary SDP query is not required.

All packets sent on this L2CAP channel shall be Attribute PDUs.

PDUs shall be reliably sent.

The flow specification for the Attribute Protocol shall be best effort.

If operating in Basic L2CAP mode, the information payload of the L2CAP B-frame shall be a single Attribute PDU.

The channel shall be encrypted. The Key_Type shall be either an Unauthenticated Combination Key or an Authenticated Combination Key.

The L2CAP connection may be initiated by the client or by the server.

5.1.3 [This section is no longer used]



5.2 LE L2CAP INTEROPERABILITY REQUIREMENTS

When using an Unenhanced ATT bearer, the channel used to carry Attribute Protocol PDUs over LE is the Attribute L2CAP fixed channel.

To terminate the ATT bearer, the physical channel has to be disconnected.

5.2.1 ATT_MTU

Both GATT Client and GATT Server implementations shall support an ATT_MTU not less than the default value.

Default Value	Value for LE
ATT_MTU	23

Table 5.1: LE L2CAP ATT_MTU

5.2.2 LE channel requirements

L2CAP fixed CID 0x0004 shall be used for the Attribute Protocol. All packets sent on this fixed channel shall be Attribute Protocol PDUs.

The flow specification for the Attribute Protocol shall be best effort.

PDUs shall be reliably sent, and not flushed.

The retransmission and flow control mode for this channel shall be Basic L2CAP mode

The default parameters for the payload of the L2CAP B-frame shall be a single Attribute PDU.

Parameter	Value
MTU	23
Flush Timeout	0xFFFF (Infinite)
QoS	Best Effort
Mode	Basic Mode

Table 5.2: Attribute Protocol fixed channel configuration parameters



5.3 ENHANCED ATT BEARER L2CAP INTEROPERABILITY REQUIREMENTS

When using an Enhanced ATT bearer over BR/EDR, L2CAP connection-oriented channels in Enhanced Retransmission Mode are used to transmit Attribute Protocol PDUs. Such channels are established using L2CAP_CONNECTION_REQ packets.

When using an Enhanced ATT bearer over LE, L2CAP connection-oriented channels in Enhanced Credit Based Flow Control Mode are used to transmit Attribute Protocol PDUs. Such channels are established using L2CAP_CREDIT_BASED_CONNECTION_REQ packets.

In both cases, the EATT fixed PSM [1] is used and the ATT bearer is the established L2CAP connection-oriented channel.

Multiple L2CAP channels can be established between a client and a server.

5.3.1 ATT_MTU

The ATT_MTU for the Enhanced ATT bearer shall be set to the minimum of the MTU field values of the two devices; these values come from the L2CAP_CREDIT_BASED_CONNECTION_REQ and L2CAP_CREDIT_BASED_CONNECTION_RSP signaling packets or the latest L2CAP_CREDIT_BASED_RECONFIGURE_REQ packets.

Note: The minimum ATT_MTU for an Enhanced ATT bearer is 64 octets.

5.3.2 Channel Requirements

All Attribute Protocol messages sent by GATT over an L2CAP Enhanced Credit Based Flow Control Mode channel are sent using one of the dynamic channel IDs derived by connecting using a fixed PSM.

All packets sent on this L2CAP channel shall be Attribute PDUs.

The flow specification for the Attribute Protocol shall be best effort.

The information payload of the L2CAP K-frame shall be a single Attribute PDU.

The channel shall be encrypted.

5.4 L2CAP COLLISION MITIGATION

If both devices request L2CAP connections simultaneously and both devices have limited resources, a device may reject the incoming request and find its own request is also rejected. In this situation, the Central may retry immediately but the Peripheral shall wait a minimum of 100 ms before retrying;



on LE connections, the Peripheral shall wait at least $2 \times (\text{connPeripheralLatency} + 1) \times \text{connInterval}$ if that is longer.

5.5 BEARER SUPPORT

A GATT implementation supporting bearers over BR/EDR shall support at least one of Unenhanced and Enhanced ATT bearers over BR/EDR and may support both.

A GATT implementation supporting bearers over LE shall support Unenhanced ATT bearers over LE and may support Enhanced ATT bearers over LE.

Note: A GATT implementation supporting bearers over both BR/EDR and LE therefore may support any combination of bearers provided that it supports Unenhanced ATT bearers over LE and at least one type of ATT bearer over BR/EDR.



6 GAP INTEROPERABILITY REQUIREMENTS

6.1 BR/EDR GAP INTEROPERABILITY REQUIREMENTS

6.1.1 Connection Establishment

To establish an Unenhanced ATT bearer, the Channel Establishment procedure (as defined in [Vol 3] Part C, Section 7.2) shall be used with the PSM set to ATT.

Either device may establish an ATT bearer at any time.

To establish an Enhanced ATT bearer, the Section 5.3 procedure shall be used with the fixed PSM set to EATT. A device shall not attempt to establish an Enhanced ATT bearer with a peer unless it is aware that the peer supports Enhanced ATT bearers, for example by using an out of band method, via a higher layer protocol, or because the device has checked the peer's Server Supported Features characteristic (see Section 7.4) or its SDP record.

Either device may terminate an ATT bearer at any time.

No idle mode procedures or modes are defined by this profile.

6.2 LE GAP INTEROPERABILITY REQUIREMENTS

6.2.1 Connection Establishment

To establish an Unenhanced ATT bearer, the Connection Establishment procedure (as defined in [Vol 3] Part C, Section 9.3.5 to Section 9.3.8) shall be used.

To establish an Enhanced ATT bearer, the Section 5.3 procedure shall be used with the fixed PSM set to EATT.

Either device may terminate an ATT bearer at any time.

No idle mode procedures or modes are defined by this profile.

Note: Unlike BR/EDR, it is not necessary to check the Server Supported Features characteristic before attempting to establish an Enhanced ATT bearer.



6.2.2 Profile roles

This profile can be used in the following profile roles (as defined in [\[Vol 3\] Part C, Section 2.2.2](#)):

- Central
- Peripheral

6.3 DISCONNECTED EVENTS

6.3.1 Notifications and indications while disconnected

If a client has configured the server to send a notification or indication to the client, it shall be configured to allow re-establishment of the connection when it is disconnected.

If the client is disconnected, but intends to become a Central in the connection it shall perform a GAP connection establishment procedure. If the client is disconnected, but intends to become a Peripheral in the connection it shall go into a GAP connectable mode.

A server shall re-establish a connection with a client when an event or trigger operation causes a notification or indication to a client.

If the server is disconnected, but intends to become a Peripheral in the connection it shall go into a GAP connectable mode. If the server is disconnected, but intends to become a Central in the connection it shall perform a GAP connection establishment procedure.

If the server cannot re-establish a connection, then the notification or indication for this event shall be discarded and no further connection re-establishment shall occur, until another event occurs.



7 DEFINED GENERIC ATTRIBUTE PROFILE SERVICE

All characteristics defined within this section shall be contained in a primary service with the service UUID set to «GATT Service» as defined in [Section 3.1](#). Only one instance of the GATT service shall be exposed on a GATT Server.

[Table 7.1](#) lists characteristics that may be present in the server and the characteristics that may be supported by the client.

Characteristic	Ref.	Support in Client	Support in Server
Service Changed	7.1	M	C.1
Client Supported Features	7.2	O	C.2
Database Hash	7.3	O	O
Server Supported Features	7.4	O	C.3

Table 7.1: GATT Profile service characteristic support

- C.1: Mandatory if service definitions on the server can be added, changed, or removed; otherwise optional
- C.2: Mandatory if the *Database Hash* and *Service Changed* characteristics are supported or if Enhanced ATT Bearer or Multiple Variable Length Notification are supported; otherwise excluded
- C.3: Mandatory if any of the features in [Table 7.11](#) are supported, otherwise optional

The assigned UUIDs for these characteristics are defined in [Assigned Numbers \[1\]](#).

7.1 SERVICE CHANGED

The «Service Changed» characteristic is a control-point attribute (as defined in [\[Vol 3\] Part F, Section 3.2.6](#)) that shall be used to indicate to connected devices that services have changed (i.e., added, removed or modified). The characteristic shall be used to indicate to clients that have a trusted relationship (i.e. bond) with the server when GATT based services have changed when they re-connect to the server. See [Section 2.5.2](#).

This *Characteristic Value* shall be configured to be indicated using the Client Characteristic Configuration descriptor by a client. Indications caused by changes to the Service Changed Characteristic Value shall be considered lost if the client has erroneously not enabled indications in the Client Characteristic Configuration descriptor (see [\[Vol 3\] Part F, Section 3.3.3](#)).



Attribute Handle	Attribute Type	Attribute Value			Attribute Permission
0xNNNN	0x2803 – UUID for «Characteristic»	Characteristic Properties = 0x20	0xMMMM = Handle of Characteristic Value	0x2A05 – UUID for «Service Changed»	No Authentication, No Authorization

Table 7.2: Service Changed Characteristic declaration

The *Service Changed Characteristic Value* is two 16-bit *Attribute Handles* concatenated together indicating the beginning and ending *Attribute Handles* affected by an addition, removal, or modification to a GATT-based service on the server. A change to a characteristic value is not considered a modification of the service. If a change has been made to any of the GATT service definition characteristic values other than the *Service Changed* characteristic value and the *Client Supported Features* characteristic value, the range shall also include the beginning and ending *Attribute Handle* for the GATT service definition.

Attribute Handle	Attribute Type	Attribute Value		Attribute Permission
0xM- MMM	0x2A05 – UUID for «Service Changed»	0xSSSS – Start of Affected Attribute Handle Range	0xTTTT – End of Affected Attribute Handle Range	No Authentication, No Authorization, Not Readable, Not Writable

Table 7.3: Service Changed Characteristic Value declaration

There shall be only one instance of the *Service Changed* characteristic within the GATT service definition. A *Service Changed* characteristic value shall exist for each client with a trusted relationship.

If the list of GATT based services and the service definitions cannot change for the lifetime of the device then this characteristic shall not exist, otherwise this characteristic shall exist.

If the *Service Changed* characteristic exists on the server, the *Characteristic Value Indication* support on the server is mandatory.

The client shall support *Characteristic Value Indication* of the *Service Changed* characteristic.

The *Service Changed* characteristic *Attribute Handle* on the server shall not change if the server has a trusted relationship with any client.

7.2 CLIENT SUPPORTED FEATURES

The *Client Supported Features* characteristic is used by the client to inform the server which features are supported by the client. If the characteristic exists on



the server, the client may update the *Client Supported Features* bit field. If a client feature bit is set by a client and the server supports that feature, the server shall fulfill all requirements associated with this feature when communicating with this client. If a client feature bit is not set by a client, then the server shall not use any of the features associated with that bit when communicating with this client.

Attribute Handle	Attribute Type	Attribute Value			Attribute Permission
0xNNNN	0x2803 – UUID for «Characteristic»	Characteristic Properties = 0x0A	0xMMMM = Handle of Characteristic Value	0x2B29 – UUID for «Client Supported Features»	Read only, No Authentication, No Authorization

Table 7.4: Client Supported Features characteristic declaration

The format of the *Client Supported Features* characteristic is defined in [Table 7.5](#).

Attribute Handle	Attribute Type	Attribute Value	Attribute Permission
0xM- MMM	0x2B29 - UUID for «Client Supported Features»	0xXX...XX (variable length) - Client Features	Readable, Writable, No Authentication, No Authorization

Table 7.5: Client Supported Features value declaration

The *Client Supported Features* characteristic value is an array of octets, each of which is a bit field. The allocation of these bits is specified in [Table 7.6](#). All bits not listed are reserved for future use. The array should not have any trailing zero octets.

If any octet number in [Table 7.6](#) does not appear in the attribute value because it is too short, the server shall behave as if that octet were present with a value of zero.

Client Features	Octet	Bit	Ref.	Description
Robust Caching	0	0	2.5.2.1	The client supports robust caching
Enhanced ATT bearer	0	1	5.3	The client supports Enhanced ATT bearer
Multiple Handle Value Notifications	0	2	4.10.2	The client supports receiving ATT_MULTIPLE_HANDLE_VALUE_NTF PDUs

Table 7.6: Client Supported Features bit assignments



The default value for the *Client Supported Features* characteristic value shall be all bits set to zero.

There shall be only one instance of the *Client Supported Features* characteristic within the GATT service definition.

A *Client Supported Features* characteristic value shall exist for each connected client. For clients with a trusted relationship, the characteristic value shall be persistent across connections. For clients without a trusted relationship the characteristic value shall be set to the default value at each connection.

The Attribute Handle of the *Client Supported Features* characteristic on the server shall not change during a connection or if the server has a trusted relationship with any client.

A client shall not clear any bits it has set. The server shall respond to any such request with the Error Code parameter set to *Value Not Allowed* (0x13).

7.3 DATABASE HASH

The *Database Hash* characteristic contains the result of a hash function applied to the service definitions in the GATT database. The client may read the characteristic at any time to determine if services have been added, removed, or modified. If any of the input fields to the hash function (as listed in [Section 7.3.1](#)) have changed, the server shall calculate a new Database Hash and update the characteristic value.

The *Database Hash* characteristic is a read-only attribute.

Attribute Handle	Attribute Type	Attribute Value			Attribute Permission
0xNNNN	0x2803 – UUID for «Characteristic»	Characteristic Properties = 0x02	0xMMMM = Handle of Characteristic Value	0x2B2A – UUID for «Database Hash»	Read only, No Authentication, No Authorization

Table 7.7: Database Hash characteristic declaration

The characteristic value is a 128-bit unsigned integer number. The calculation of the Database Hash is specified in [Section 7.3.1](#).

Attribute Handle	Attribute Type	Attribute Value	Attribute Permission
0xMMMM	0x2B2A - UUID for «Database Hash»	uint128 - Database Hash	Read only, No Authentication, No Authorization

Table 7.8: Database Hash characteristic value declaration



There is only one instance of the *Database Hash* characteristic within the GATT service definition. The same *Database Hash* value is used for all clients, whether a trusted relationship exists or not.

In order to read the value of this characteristic the client shall always use the *GATT Read Using Characteristic UUID* sub-procedure. The *Starting Handle* should be set to 0x0001 and the *Ending Handle* should be set to 0xFFFF.

If a client reads the value of this characteristic while the server is re-calculating the hash following a change to the database, the server shall return the new hash, delaying its response until it is available.

7.3.1 Database Hash calculation

The Database Hash shall be calculated according to RFC-4493[2]. This RFC defines the Cipher-based Message Authentication Code (CMAC) using AES-128 as the block cipher function, also known as AES-CMAC.

The inputs to AES-CMAC are:

- m is the variable length data to be hashed
- k is the 128-bit key, which shall be all zero
(0x00000000_00000000_00000000_00000000)

The 128-bit Database Hash is generated as follows:

Database Hash = AES-CMAC _{k} (m), where m is calculated as follows:

In ascending order of attribute handles, starting with the first handle, concatenate the fields *Attribute Handle*, *Attribute Type*, and *Attribute Value* if the attribute has one of the following types: «Primary Service», «Secondary Service», «Included Service», «Characteristic», or «Characteristic Extended Properties», concatenate the fields *Attribute Handle* and *Attribute Type* if the attribute has one of the following types: «Characteristic User Description», «Client Characteristic Configuration», «Server Characteristic Configuration», «Characteristic Presentation Format», or «Characteristic Aggregate Format», and ignore the attribute if it has any other type (such attributes are not part of the concatenation).

For each *Attribute Handle*, the fields shall be concatenated in the order given above. The byte order used for each field or sub-field value shall be little-endian. If a field contains sub-fields, the subfields shall be concatenated in the order they appear in [Section 3](#) (Service Interoperability Requirements). For instance, a characteristic declaration value of {0x02, 0x0005, 0x2A00} is represented after concatenation as 02 05 00 00 2A.

The formats of the fields *Attribute Handle*, *Attribute Type*, and *Attribute Value* for the Attribute Types listed above are defined in [Section 3](#) (Service Interoperability Requirements).



If the length of *m* is not a multiple of the AES-CMAC block length of 128 bits, padding shall be applied as specified in RFC-4493 Section 2.4.

7.4 SERVER SUPPORTED FEATURES

The *Server Supported Features* characteristic is a read-only characteristic that shall be used to indicate support for server features. The server shall set a bit only if the corresponding feature is supported.

Attribute Handle	Attribute Type	Attribute Value			Attribute Permission
0xNNNN	0x2803 – UUID for «Characteristic»	Characteristic Properties = 0x02	0xMMMM = Handle of Characteristic Value	0x2B3A – UUID for «Server Supported Features»	Read Only, No Authentication, No Authorization

Table 7.9: Server Supported Features characteristic declaration

Attribute Handle	Attribute Type	Attribute Value	Attribute Permission
0xMMMM	0x2B3A – UUID for «Server Supported Features»	0xuu - Server Supported Features	Readable

Table 7.10: Server Supported Features value declaration

The *Server Supported Features* characteristic is an array of octets, each of which is a bit field. The allocation of these bits is specified in Table 7.11. All bits not listed are reserved for future use. The array should not have any trailing zero octets.

Server Supported Features	Octet	Bit	Ref.	Description
EATT Supported	0	0	5.3	Enhanced ATT bearer supported

Table 7.11: Server Supported Features bit assignments

If any octet number in Table 7.11 does not appear in the attribute value because it is too short, the client shall behave as if that octet were present with the value of zero.

There shall be only one instance of the *Server Supported Features* characteristic within the GATT service definition.



8 SECURITY CONSIDERATIONS

8.1 AUTHENTICATION REQUIREMENTS

Authentication in the GATT Profile is applied to each characteristic independently. Authentication requirements are specified in this profile, related higher layer specifications or are implementation specific if not specified otherwise.

The GATT Profile procedures are used to access information that may require the client to be authenticated and have an encrypted connection before a characteristic can be read or written.

If such a request is issued when the physical link is unauthenticated or unencrypted, the server shall send an ATT_ERROR_RSP PDU. The client wanting to read or write this characteristic can then request that the physical link be authenticated using the GAP authentication procedure, and once this has been completed, send the request again.

The list of services and characteristics that a device supports is not considered private or confidential information, and therefore the Service and Characteristic Discovery procedures shall always be permitted. This implies that an Error Code parameter set to *Insufficient Authentication* (0x05) shall not be used in an ATT_ERROR_RSP PDU for a *Find Information Request*.

Note: A characteristic may be allowed to be read by any device, but only written by an authenticated device. An implementation should take this into account, and not assume that if it can read a *Characteristic Value*, it will also be able to write the *Characteristic Value*. Similarly, if a characteristic can be written, it does not mean the characteristic can also be read. Each individual characteristic could have different security properties.

Once sufficient authentication of the client has been established to allow access to one characteristic within a service definition, a server may also allow access to other characteristics within the service definition depending on the higher level or implementation specific requirements.

A server may allow access to most characteristics within a service definition once sufficient authentication has been performed, but restrict access to other characteristics within the same service definition. This may result due to some characteristics requiring stronger authentication requirements than currently enabled.

Once a server has authenticated a client for access to characteristics in one service definition, it may automatically allow access to characteristics in other service definitions.



8.2 AUTHORIZATION REQUIREMENTS

Authorization in the GATT Profile is applied to each characteristic independently. Authorization requirements may be specified in this profile, related higher layer specifications or are implementation specific if not specified otherwise.

The GATT Profile can be used to access information that may require authorization before a characteristic can be read or written.

If such a request is issued to a characteristic contained in a service definition that is not authorized, the responder shall send an ATT_ERROR_RSP PDU with the Error Code parameter set to *Insufficient Authorization* (0x08).

Once a server has authorized a client for access to characteristics in one group or service definition, it may automatically allow access to characteristics in other service definitions.



9 SDP INTEROPERABILITY REQUIREMENTS

A device that supports GATT over BR/EDR and only one of ATT or EATT shall publish the SDP record shown in [Table 9.1](#); if both ATT and EATT are supported, the device shall publish the SDP record shown in [Table 9.2](#). The GATT Service Start Handle shall be set to the attribute handle of the «GATT Service» service declaration. The GATT Service End Handle shall be set to the attribute handle of the last attribute within the «GATT Service» service definition group.

Item	Type	Value	Meaning
Attribute ID	uint16	0x0001	ServiceClassIDList
Attribute Value	Data element sequence (1 item)		
Service Class	UUID	«GATT Service»	
Attribute ID	uint16	0x0004	ProtocolDescriptorList
Attribute Value	Data element sequence (2 items)		
Protocol Descriptor	Data element sequence (2 items)		
Protocol	UUID	«L2CAP»	
Parameter 0	uint16	0x001F or 0x0027	PSM = ATT or PSM = EATT
Protocol Descriptor	Data element sequence (3 items)		
Protocol	UUID	«ATT»	
Parameter 0	uint16	0xHHHH	GATT service start handle
Parameter 1	uint16	0xHHHH	GATT service end handle
Attribute ID	uint16	0x0005	BrowseGroupList
Attribute Value	Data element sequence (1 item)		
Group	UUID	«PublicBrowseRoot»	

Table 9.1: SDP record for the Generic Attribute Profile, if only one of ATT or EATT is supported

Item	Type	Value	Meaning
Attribute ID	uint16	0x0001	ServiceClassIDList
Attribute Value	Data element sequence (1 item)		
Service class	UUID	«GATT Service»	
Attribute ID	uint16	0x0004	ProtocolDescriptorList

Table 9.2: SDP record for the Generic Attribute Profile, if both ATT and EATT are supported

Generic Attribute Profile (GATT)



Item	Type	Value	Meaning
Attribute Value	Data element sequence (2 items)		
Protocol Descriptor	Data element sequence (2 items)		
Protocol	UUID	«L2CAP»	
Parameter 0	uint16	0x001F	PSM = ATT
Protocol Descriptor	Data element sequence (3 items)		
Protocol	UUID	«ATT»	
Parameter 0	uint16	0xHHHH	GATT service start handle
Parameter 1	uint16	0xHHHH	GATT service end handle
Attribute ID	uint16	0x000D	AdditionalProtocolDescriptorList
Attribute Value	Data element sequence (1 item)		
Protocol Descriptor List	Data element sequence (2 items)		
Protocol Descriptor	Data element sequence (2 items)		
Protocol	UUID	«L2CAP»	
Parameter 0	uint16	0x0027	PSM = EATT
Protocol Descriptor	Data element sequence (3 items)		
Protocol	UUID	«ATT»	
Parameter 0	uint16	0xHHHH	GATT service start handle
Parameter 1	uint16	0xHHHH	GATT service end handle
Attribute ID	uint16	0x0005	BrowseGroupList
Attribute Value	Data element sequence (1 item)		
Group	UUID	«PublicBrowseRoot»	

Table 9.2: SDP record for the Generic Attribute Profile, if both ATT and EATT are supported



10 REFERENCES

- [1] Assigned Numbers Specification:
<https://www.bluetooth.com/specifications/assigned-numbers>
- [2] RFC-4493: <http://www.ietf.org/rfc/rfc4493.txt>
- [3] Core Specification Supplement, Part A, Data Types Specification



APPENDIX A EXAMPLE ATT SERVER CONTENTS

Table A.1 shows an example ATT Server and the attributes contained on the server.

Note: This example does not necessarily use UUIDs or services defined by the Bluetooth SIG or in adopted profiles.

Handle	Attribute Type	Attribute Value
0x0001	«Primary Service»	«GAP Service»
0x0004	«Characteristic»	{0x02, 0x0006, «Device Name»}
0x0006	«Device Name»	“Example Device”
0x0010	«Primary Service»	«GATT Service»
0x0011	«Characteristic»	{0x26, 0x0012, «Service Changed»}
0x0012	«Service Changed»	0x0000, 0x0000
0x0100	«Primary Service»	«Battery State Service»
0x0106	«Characteristic»	{0x02, 0x0110, «Battery State»}
0x0110	«Battery State»	0x04
0x0200	«Primary Service»	«Thermometer Humidity Service»
0x0201	«Include»	{0x0500, 0x0504, «Manufacturer Service»}
0x0202	«Include»	{0x0550, 0x0568}
0x0203	«Characteristic»	{0x02, 0x0204, «Temperature»}
0x0204	«Temperature»	0x028A
0x0205	«Characteristic Presentation Format»	{0x0E, 0xFE, «degrees Celsius», 0x01, «Outside»}
0x0206	«Characteristic User Description»	“Outside Temperature”
0x0210	«Characteristic»	{0x02, 0x0212, «Relative Humidity»}
0x0212	«Relative Humidity»	0x27
0x0213	«Characteristic Presentation Format»	{0x04, 0x00, «Percent», «Bluetooth SIG», «Outside»}
0x0214	«Characteristic User Description»	“Outside Relative Humidity”
0x0280	«Primary Service»	«Weight Service»
0x0281	«Include»	0x0505, 0x0509, «Manufacturer Service»}
0x0282	«Characteristic»	{0x02, 0x0283, «Weight kg»}

Table A.1: Examples of ATT Server contents



Handle	Attribute Type	Attribute Value
0x0283	«Weight kg»	0x00005582
0x0284	«Characteristic Presentation Format»	{0x08, 0xFD, «kilogram», «Bluetooth SIG», «Hanging»}
0x0285	«Characteristic User Description»	“Rucksack Weight”
0x0300	«Primary Service»	«Position Service»
0x0301	«Characteristic»	{0x02, 0x0302, «Latitude Longitude»}
0x0302	«Latitude Longitude»	0x28BEAFA40B320FCE
0x0304	«Characteristic»	{0x02, 0x0305, «Latitude Longitude Elevation»}
0x0305	«Latitude Longitude Elevation»	0x28BEAFA40B320FCE0176
0x0400	«Primary Service»	«Alert Service»
0x0401	«Characteristic»	{0x0E, 0x0402, «Alert Enumeration»}
0x0402	«Alert Enumeration»	0x00
0x0500	«Secondary Service»	«Manufacturer Service»
0x0501	«Characteristic»	{0x02, 0x0502, «Manufacturer Name»}
0x0502	«Manufacturer Name»	“ACME Temperature Sensor”
0x0503	«Characteristic»	{0x02, 0x0504, «Serial Number»}
0x0504	«Serial Number»	“237495-3282-A”
0x0505	«Secondary Service»	«Manufacturer Service»
0x0506	«Characteristic»	{0x02, 0x0507, «Manufacturer Name»}
0x0507	«Manufacturer Name»	“ACME Weighing Scales”
0x0508	«Characteristic»	{0x02, 0x0509, «Serial Number»}
0x0509	«Serial Number»	“11267-2327A00239”
0x0550	«Secondary Service»	«Vendor Specific Service»
0x0560	«Characteristic»	{0x02, 0x0568, «Vendor Specific Type»}
0x0568	«Vendor Specific Type»	0x56656E646F72

Table A.1: Examples of ATT Server contents

As can be seen, the ATT Server indicates support for ten services: GAP Service, GATT Service, Battery State Service, Thermometer Humidity Service, Weight Service, Position Service, Alert Service, two Manufacturer Services, and a Vendor Specific Service.



The server contains the following information about each of the services:

- The characteristic containing the name of the device is “Example Device”.
- The characteristic indicating the server supports all the attribute opcodes, and supports two prepared write values.
- The characteristic containing the battery state with a value of 0x04, meaning it is discharging.
- The characteristic containing the outside temperature with a value of 6.5 °C.
- The characteristic containing the outside relative humidity with a value of 39%.
- The characteristic containing the weight hanging off the device with a value of 21.89 kg.
- The characteristic containing the position of this device with the value of 68.3585444 degrees north, 18.7830222 degrees east, with an elevation of 374 meters.
- The characteristic containing the temperature sensor manufacturer with the value of ACME Temperature Sensor.
- The characteristic containing the serial number for the temperature sensor with a value of 237495-3282-A.
- The characteristic containing the weighing sensor is manufacturer with a value of ACME Weight Scales.
- The characteristic containing the serial number for the weighing sensor with a value of 11267-2327A00239.

The device is therefore on the side of the Abisko Turiststation, Norrbottens Län, Sweden, with a battery in good state, measuring a relatively warm day, with low humidity, and a heavy rucksack.



APPENDIX B EXAMPLE DATABASE HASH

Table B.1 shows how the variable length data *m* for calculating the Database Hash is constructed from an example GATT database. The column *Included in Hash* indicates whether the *Attribute Handle* (H), *Attribute Type* (T), or *Attribute Value* (V) are included in *m*.

Attribute Handle	Attribute Type	Attribute Value	Notes	Included in Hash	Data Included in <i>m</i>
0x0001	0x2800	0x1800	Primary Service: GAP Service	HTV	01 00 00 28 00 18
0x0002	0x2803	{0x0A, 0x0003, 0x2A00}	Characteristic (Read, Write): Device Name	HTV	02 00 03 28 0A 03 00 00 2A
0x0003	0x2A00	any	Characteristic Value: Device Name	No	none
0x0004	0x2803	{0x02, 0x0005, 0x2A01}	Characteristic (Read): Appearance	HTV	04 00 03 28 02 05 00 01 2A
0x0005	0x2A01	any	Characteristic Value: Appearance	No	none
0x0006	0x2800	0x1801	Primary Service: GATT Service	HTV	06 00 00 28 01 18
0x0007	0x2803	{0x20, 0x0008, 0x2A05}	Characteristic (Indicate): Service Changed	HTV	07 00 03 28 20 08 00 05 2A
0x0008	0x2A05	any	Characteristic Value: Service Changed	No	none
0x0009	0x2902	0x0002	Client Characteristic Configuration Descriptor	HT	09 00 02 29
0x000A	0x2803	{0x0A, 0x000B, 0x2B29}	Characteristic (Read, Write): Client Supported Features	HTV	0A 00 03 28 0A 0B 00 29 2B
0x000B	0x2B29	any	Characteristic Value: Client Supported Features	No	none
0x000C	0x2803	{0x02, 0x000D, 0x2B2A}	Characteristic (Read): Database Hash	HTV	0C 00 03 28 02 0D 00 2A 2B

Table B.1: Example database

Generic Attribute Profile (GATT)



Attribute Handle	Attribute Type	Attribute Value	Notes	Included in Hash	Data Included in m
0x000D	0x2B2A	any	Characteristic Value: Database Hash	No	none
0x000E	0x2800	0x1808	Primary Service: Glucose Service	HTV	0E 00 00 28 08 18
0x000F	0x2802	{0x0014, 0x0016, 0x180F}	Included Service: Battery Service	HTV	0F 00 02 28 14 00 16 00 0F 18
0x0010	0x2803	{0xA2, 0x0011, 0x2A18}	Characteristic (Read, Indicate, Extended Properties): Glucose Measurement	HTV	10 00 03 28 A2 11 00 18 2A
0x0011	0x2A18	any	Characteristic Value: Glucose Measurement	No	none
0x0012	0x2902	0x0002	Client Characteristic Configuration Descriptor	HT	12 00 02 29
0x0013	0x2900	0x0000	Extended Properties	HTV	13 00 00 29 00 00
0x0014	0x2801	0x180F	Secondary Service: Battery Service	HTV	14 00 01 28 0F 18
0x0015	0x2803	{0x02, 0x0016, 0x2A19}	Characteristic (Read): Battery Level	HTV	15 00 03 28 02 16 00 19 2A
0x0016	0x2A19	any	Characteristic Value: Battery Level	No	none

Table B.1: Example database

The resulting variable length data m divided into blocks M0 to M6 is:

M0: 01000028 00180200 03280A03 00002A04
 M1: 00032802 0500012A 06000028 01180700
 M2: 03282008 00052A09 0002290A 0003280A
 M3: 0B00292B 0C000328 020D002A 2B0E0000
 M4: 2808180F 00022814 0016000F 18100003
 M5: 28A21100 182A1200 02291300 00290000
 M6: 14000128 0F181500 03280216 00192A

Generic Attribute Profile (GATT)

The resulting Database Hash is (MSB to LSB):

Database Hash = $\text{AES-CMAC}_k(m)$ = F1 CA 2D 48 EC F5 8B AC 8A
88 30 BB B9 FB A9 90

Note: The bytes in M0 to M6 and the Database Hash are ordered from the most significant on the left to the least significant on the right.

SECURITY MANAGER SPECIFICATION

The Security Manager (SM) defines the protocol and behavior to manage pairing, authentication, and encryption between LE-only or BR/EDR/LE devices.



CONTENTS

1	Introduction.....	1545
1.1	Scope	1545
1.2	Conventions.....	1545
1.2.1	Bit and byte ordering conventions.....	1545
1.2.2	Random numbers	1546
2	Security Manager.....	1547
2.1	Introduction.....	1547
2.2	Cryptographic toolbox.....	1549
2.2.1	Security function <i>e</i>	1550
2.2.2	Random address hash function <i>ah</i>	1550
2.2.3	Confirm value generation function <i>c1</i> for LE legacy pairing 1551	
2.2.4	Key generation function <i>s1</i> for LE legacy pairing.....	1552
2.2.5	Function AES-CMAC	1553
2.2.6	LE Secure Connections confirm value generation function <i>f4</i>	1553
2.2.7	LE Secure Connections key generation function <i>f5</i> ..	1554
2.2.8	LE Secure Connections check value generation function <i>f6</i>	1556
2.2.9	LE Secure Connections numeric comparison value generation function <i>g2</i>	1557
2.2.10	Link key conversion function <i>h6</i>	1558
2.2.11	Link key conversion function <i>h7</i>	1558
2.3	Pairing methods.....	1559
2.3.1	Security Properties.....	1559
2.3.2	IO capabilities	1561
2.3.3	OOB authentication data.....	1562
2.3.4	Encryption key size	1562
2.3.5	Pairing algorithms	1563
2.3.5.1	Selecting key generation method	1563
2.3.5.2	LE legacy pairing - Just Works	1566
2.3.5.3	LE legacy pairing - Passkey Entry.....	1566
2.3.5.4	Out of band.....	1567
2.3.5.5	LE legacy pairing phase 2	1567
2.3.5.6	LE Secure Connections pairing phase 2	1569
2.3.5.7	Cross-transport key derivation	1577
2.3.6	Repeated attempts.....	1577
2.4	Security in Bluetooth Low Energy.....	1578



- 2.4.1 Definition of keys and values 1578
- 2.4.2 Generation of distributed keys 1579
 - 2.4.2.1 Generation of IRK..... 1579
 - 2.4.2.2 Generation of CSRK..... 1579
 - 2.4.2.3 LE legacy pairing - generation of LTK, EDIV and Rand..... 1579
 - 2.4.2.4 Derivation of BR/EDR link key from LE LTK..... 1580
 - 2.4.2.5 Derivation of LE LTK from BR/EDR link key..... 1580
- 2.4.3 Distribution of keys..... 1581
 - 2.4.3.1 LE legacy pairing key distribution 1581
 - 2.4.3.2 LE Secure Connections key distribution..... 1582
- 2.4.4 Encrypted session setup..... 1582
 - 2.4.4.1 Encryption setup using STK 1582
 - 2.4.4.2 Encryption setup using LTK..... 1583
- 2.4.5 Signing algorithm 1584
- 2.4.6 Peripheral Security Request 1585
- 3 Security Manager Protocol 1588**
 - 3.1 Introduction 1588
 - 3.2 Security Manager Channel over L2CAP 1588
 - 3.3 Command format..... 1589
 - 3.4 SMP timeout 1590
 - 3.5 Pairing methods..... 1590
 - 3.5.1 Pairing Request 1590
 - 3.5.2 Pairing Response..... 1593
 - 3.5.3 Pairing Confirm 1595
 - 3.5.4 Pairing Random 1596
 - 3.5.5 Pairing Failed 1597
 - 3.5.6 Pairing Public Key..... 1599
 - 3.5.7 Pairing DHKey Check 1599
 - 3.5.8 Keypress Notification 1600
 - 3.6 Security in Bluetooth Low Energy..... 1600
 - 3.6.1 Key distribution and generation 1600
 - 3.6.2 Encryption Information 1604
 - 3.6.3 Central Identification 1604
 - 3.6.4 Identity Information 1605
 - 3.6.5 Identity Address Information 1606
 - 3.6.6 Signing Information 1606
 - 3.6.7 Security Request..... 1607
- 4 References 1609**



Appendix A EDIV and Rand Generation 1610

- A.1 EDIV masking 1610
 - A.1.1 DIV mask generation function dm 1610
 - A.1.2 EDIV generation 1611
 - A.1.3 DIV recovery 1611

Appendix B Key Management 1612

- B.1 Database lookup 1612
- B.2 Key hierarchy 1612
 - B.2.1 Diversifying function d1 1613
 - B.2.2 Generating keys from ER 1614
 - B.2.3 Generating keys from IR 1615

Appendix C Message sequence charts 1616

- C.1 Phase 1: Pairing feature exchange 1616
 - C.1.1 Peripheral security request – Central requests pairing 1617
- C.2 Phase 2: Authenticating and encrypting 1617
 - C.2.1 LE legacy pairing 1617
 - C.2.1.1 Legacy Phase 2: Short Term Key generation – Just Works 1618
 - C.2.1.2 Legacy Phase 2: Short Term Key generation – Passkey Entry 1619
 - C.2.1.3 Legacy Phase 2: Short Term Key generation – Out of Band 1620
 - C.2.2 LE Secure Connections 1621
 - C.2.2.1 Public key exchange 1621
 - C.2.2.2 Authentication stage 1 1621
 - C.2.2.3 Long Term Key calculation 1632
 - C.2.2.4 Authentication stage 2 (DHKey checks) 1633
- C.3 Phase 3: Transport specific key distribution 1634
- C.4 Security re-established using previously distributed LTK 1634
 - C.4.1 Central initiated security - Central initiated Link Layer encryption 1634
 - C.4.2 Peripheral security request - Central initiated Link Layer encryption 1635
- C.5 Failure conditions 1635
 - C.5.1 Pairing not supported by Peripheral 1635
 - C.5.2 Central rejects pairing because of key size 1636
 - C.5.3 Peripheral rejects pairing because of key size 1636
 - C.5.4 Passkey Entry failure on Central 1637



C.5.5 Passkey Entry failure on Peripheral 1638

C.5.6 Peripheral rejects Central’s confirm value 1639

C.5.7 Central rejects Peripheral’s confirm value 1640

Appendix D Sample data 1641

D.1 AES-CMAC RFC4493 test vectors 1641

D.1.1 Example 1: Len = 0 1641

D.1.2 Example 2: Len = 16 1641

D.1.3 Example 3: Len = 40 1641

D.1.4 Example 4: Len = 64 1641

D.2 *f4* LE SC confirm value generation function 1642

D.3 *f5* LE SC key generation function 1642

D.4 *f6* LE SC check value generation function 1643

D.5 *g2* LE SC numeric comparison generation function 1643

D.6 *h6* LE SC link key conversion function 1643

D.7 *ah* random address hash functions 1644

D.8 *h7* LE SC link key conversion function 1644

D.9 LTK to link key conversion using CT2=1 1644

D.10 LTK to link key conversion using CT2=0 1644

D.11 Link key to LTK conversion using CT2=1 1644

D.12 Link key to LTK conversion using CT2=0 1644

1 INTRODUCTION

1.1 SCOPE

The Security Manager defines methods of pairing and key distribution, a protocol for those methods and a security toolbox to be used by those methods and other parts of an LE-only or BR/EDR/LE device.

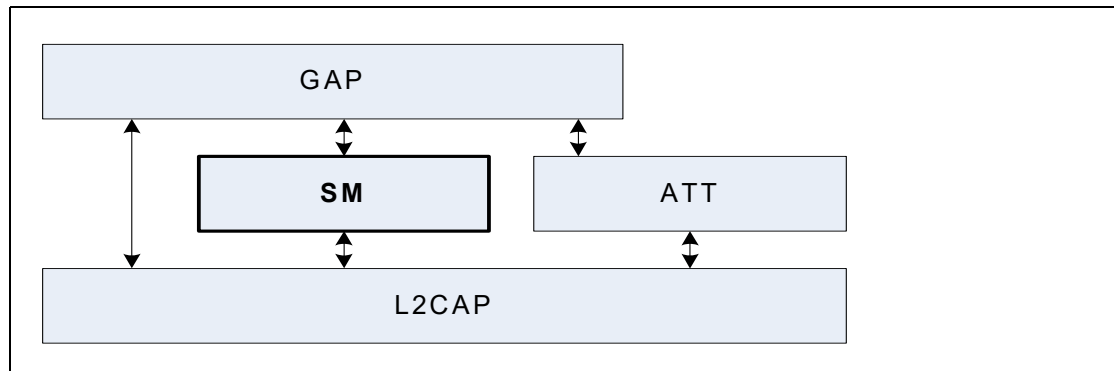


Figure 1.1: Relationship of the Security Manager to the rest of the LE Bluetooth architecture

The document describes Central and Peripheral roles in terms of protocol and requirements; these have the same meaning and are mapped to the LE device roles described in [Vol 1] Part A, Section 1.2 or BR/EDR device roles (see [Vol 1] Part A, Section 1.1).

1.2 CONVENTIONS

1.2.1 Bit and byte ordering conventions

When multiple bit fields are contained in a single octet and represented in a drawing in this Part, the least significant (low-order) bits are shown toward the left and most significant (high-order) bits toward the right.

Multiple-octet fields are drawn with the least significant octets toward the left and the most significant octets toward the right. Multiple-octet fields shall be transmitted with the least significant octet first.

Multiple-octet values written in hexadecimal notation have the most significant octet towards the left and the least significant octet towards the right, for example if '12' is the most significant octet and '34' is the least significant octet it would be written as 0x1234.



1.2.2 Random numbers

In [\[Vol 3\] Part H](#), the term "random number" includes pseudo-random numbers. Random number generators should conform to the requirements of [\[Vol 2\] Part H, Section 2](#).



2 SECURITY MANAGER

2.1 INTRODUCTION

The Security Manager (SM) uses a key distribution approach to perform identity and encryption functionalities in radio communication. This means that each device generates and controls the keys it distributes and no other device affects the generation of these keys. The strength of a key is as strong as the algorithms implemented inside the distributing device.

The security architecture is designed such that memory and processing requirements for a responding device are lower than the memory and processing requirement for an initiating device.

Pairing is performed to establish keys which can then be used to encrypt a link. A transport specific key distribution is then performed to share the keys which can be used to encrypt a link in future reconnections, verify signed data and random address resolution.

Pairing is a three-phase process. The first two phases are always used and may be followed by an optional transport specific key distribution phase (see [Figure 2.1](#)):

- Phase 1: Pairing Feature Exchange
- Phase 2 (LE legacy pairing): Short Term Key (STK) Generation
- Phase 2 (LE Secure Connections): Long Term Key (LTK) Generation
- Phase 3: Transport Specific Key Distribution

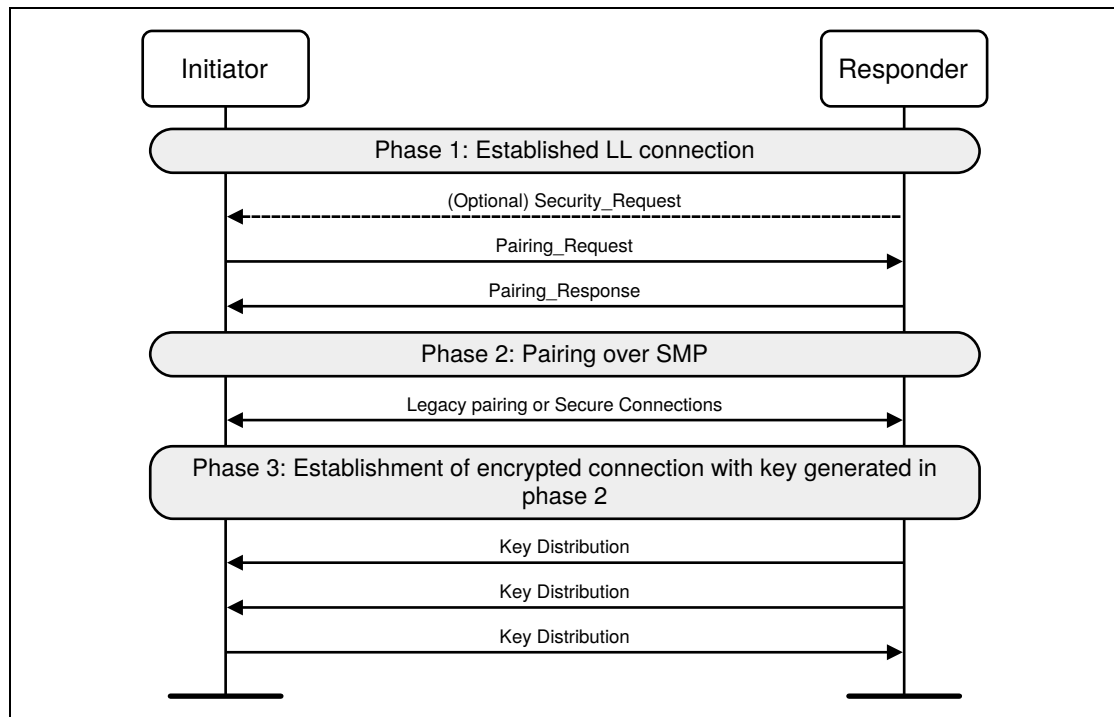


Figure 2.1: LE pairing phases

The devices shall first exchange authentication requirements and IO capabilities in the Pairing Feature Exchange to determine which of the following methods shall be used in Phase 2:

- Just Works
- Numeric Comparison (Only for LE Secure Connections)
- Passkey Entry
- Out Of Band (OOB)

Authentication requirements retrieved from the Pairing Feature Exchange also determine whether LE Secure Connections or LE legacy pairing is used.

Optionally, Phase 3 may then be performed to distribute transport specific keys, for example the Identity Resolving Key (IRK) value and Identity Address information. Phase 1 and Phase 3 are identical regardless of the method used in Phase 2.

Phase 3 shall only be performed on a link which is encrypted using:

- The STK generated in Phase 2 when using LE legacy pairing or
- The LTK generated in Phase 2 when using LE Secure Connections or
- The shared Link Key generated using BR/EDR pairing (see [Section 2.3.5.7](#)).

Phase 1 and Phase 2 may be performed on a link which is either encrypted or not encrypted.



2.2 CRYPTOGRAPHIC TOOLBOX

In order to support random addressing, pairing and other operations SM provides a toolbox of cryptographic functions. The following cryptographic functions are defined:

- *ah* is used to create a 24-bit hash used in random address creation and resolution.

The following cryptographic functions are defined to support the LE legacy pairing process:

- *c1* is used to generate confirm values used during the pairing process.
- *s1* is used to generate the STK during the pairing process.

The following cryptographic functions are defined to support the LE Secure Connections pairing process:

- *f4* is used to generate confirm values during the pairing process.
- *f5* is used to generate the LTK and the MacKey during the pairing process.
- *f6* is used to generate the check values during authentication stage 2 in the pairing process.
- *g2* is used to generate the 6-digit numeric comparison values during authentication stage 1 in the pairing process.
- *h6* is used to generate the LE LTK from a BR/EDR link key derived from Secure Connections and is used to generate the BR/EDR link key from an LE LTK derived from Secure Connections.
- *h7* is used to generate intermediate keys while generating the LE LTK from a BR/EDR link key derived from Secure Connections and the BR/EDR link key from an LE LTK derived from Secure Connections.

The building block for the cryptographic functions *ah*, *c1* and *s1* is the security function *e*.

The building block for the cryptographic functions *f4*, *f5*, *f6*, *g2*, *h6*, and *h7* is the security function AES-CMAC.

Inside the *f4*, *f5*, *f6*, *g2*, *h6*, and *h7* functions when a multi-octet integer parameter is used as input to AES-CMAC the most significant octet of the integer shall be the first octet of the stream and the least significant octet of the integer shall be the last octet of the stream. The output of AES-CMAC inside these functions is a multi-octet integer where the first octet is MSB and the last octet is LSB of this integer.



2.2.1 Security function *e*

Security function *e* generates 128-bit *encryptedData* from a 128-bit key and 128-bit *plaintextData* using the AES-128-bit block cypher as defined in FIPS-197¹:

$$\textit{encryptedData} = e(\textit{key}, \textit{plaintextData})$$

The most significant octet of *key* corresponds to *key*[0], the most significant octet of *plaintextData* corresponds to *in*[0] and the most significant octet of *encryptedData* corresponds to *out*[0] using the notation specified in FIPS-197¹.

Note: The security function *e* can be implemented in a Host or be implemented using the HCI_LE_Encrypt command (see [Vol 4] Part E, Section 7.8.22).

2.2.2 Random address hash function *ah*

The random address hash function *ah* is used to generate a hash value that is used in resolvable private addresses, see [Vol 3] Part C, Section 10.8.2.

The following are inputs to the random address hash function *ah*:

k is 128 bits

r is 24 bits

padding is 104 bits

r is concatenated with *padding* to generate *r'* which is used as the 128-bit input parameter *plaintextData* to security function *e*:

$$r' = \textit{padding} \parallel r$$

The least significant octet of *r* becomes the least significant octet of *r'* and the most significant octet of *padding* becomes the most significant octet of *r'*.

For example, if the 24-bit value *r* is 0x423456 then *r'* is 0x00000000000000000000000000000000423456.

The output of the random address function *ah* is:

$$ah(k, r) = e(k, r') \bmod 2^{24}$$

The output of the security function *e* is then truncated to 24 bits by taking the least significant 24 bits of the output of *e* as the result of *ah*.

1. NIST Publication FIPS-197 (<http://csrc.nist.gov/publications/fips/fips197/fips-197.pdf>)



2.2.3 Confirm value generation function $c1$ for LE legacy pairing

During the LE legacy pairing process confirm values are exchanged. This confirm value generation function $c1$ is used to generate the confirm values.

The following are inputs to the confirm value generation function $c1$:

k is 128 bits
 r is 128 bits
 $pres$ is 56 bits
 $preq$ is 56 bits
 iat is 1 bit
 ia is 48 bits
 rat is 1 bit
 ra is 48 bits
 $padding$ is 32 zero bits

iat is concatenated with 7 zero bits to create iat' which is 8 bits in length. iat is the least significant bit of iat' .

rat is concatenated with 7 zero bits to create rat' which is 8 bits in length. rat is the least significant bit of rat' .

$pres$, $preq$, rat' and iat' are concatenated to generate $p1$ which is XORed with r and used as 128-bit input parameter $plaintextData$ to security function e :

$$p1 = pres \parallel preq \parallel rat' \parallel iat'$$

The octet of iat' becomes the least significant octet of $p1$ and the most significant octet of $pres$ becomes the most significant octet of $p1$.

For example, if the 8-bit iat' is 0x01, the 8-bit rat' is 0x00, the 56-bit $preq$ is 0x07071000000101 and the 56 bit $pres$ is 0x05000800000302 then $p1$ is 0x05000800000302070710000001010001.

ra is concatenated with ia and $padding$ to generate $p2$ which is XORed with the result of the security function e using $p1$ as the input parameter $plaintextData$ and is then used as the 128-bit input parameter $plaintextData$ to security function e :

$$p2 = padding \parallel ia \parallel ra$$

The least significant octet of ra becomes the least significant octet of $p2$ and the most significant octet of $padding$ becomes the most significant octet of $p2$.

For example, if 48-bit ia is 0xA1A2A3A4A5A6 and the 48-bit ra is 0xB1B2B3B4B5B6 then $p2$ is 0x00000000A1A2A3A4A5A6B1B2B3B4B5B6.



The output of the confirm value generation function $c1$ is:

$$c1(k, r, preq, pres, iat, rat, ia, ra) = e(k, e(k, r \text{ XOR } p1) \text{ XOR } p2)$$

The 128-bit output of the security function e is used as the result of confirm value generation function $c1$.

For example, if the 128-bit k is 0x00000000000000000000000000000000, the 128-bit value r is 0x5783D52156AD6F0E6388274EC6702EE0, the 128-bit value $p1$ is 0x05000800000302070710000001010001 and the 128-bit value $p2$ is 0x00000000A1A2A3A4A5A6B1B2B3B4B5B6 then the 128-bit output from the $c1$ function is 0x1E1E3FEF878988EAD2A74DC5BEF13B86.

2.2.4 Key generation function $s1$ for LE legacy pairing

The key generation function $s1$ is used to generate the STK during the LE legacy pairing process.

The following are inputs to the key generation function $s1$:

k is 128 bits

$r1$ is 128 bits

$r2$ is 128 bits

The most significant 64-bits of $r1$ are discarded to generate $r1'$ and the most significant 64-bits of $r2$ are discarded to generate $r2'$.

For example if the 128-bit value $r1$ is 0x000F0E0D0C0B0A091122334455667788 then $r1'$ is 0x1122334455667788. If the 128-bit value $r2$ is 0x010203040506070899AABBCCDDEEFF00 then $r2'$ is 0x99AABBCCDDEEFF00.

$r1'$ is concatenated with $r2'$ to generate r' which is used as the 128-bit input parameter *plaintextData* to security function e :

$$r' = r1' || r2'$$

The least significant octet of $r2'$ becomes the least significant octet of r' and the most significant octet of $r1'$ becomes the most significant octet of r' .

For example, if the 64-bit value $r1'$ is 0x1122334455667788 and $r2'$ is 0x99AABBCCDDEEFF00 then r' is 0x112233445566778899AABBCCDDEEFF00.

The output of the key generation function $s1$ is:

$$s1(k, r1, r2) = e(k, r')$$

The 128-bit output of the security function e is used as the result of key generation function $s1$.



For example if the 128-bit value k is

0x00000000000000000000000000000000

and the 128-bit value r' is

0x112233445566778899AABBCCDDEEFF00

then the output from the key generation function $s1$ is

0x9a1fe1f0e8b0f49b5b4216ae796da062.

2.2.5 Function AES-CMAC

RFC-4493¹ defines the Cipher-based Message Authentication Code (CMAC) that uses AES-128 as the block cipher function, also known as AES-CMAC.

The inputs to AES-CMAC are:

m is the variable length data to be authenticated

k is the 128-bit key

The 128-bit message authentication code (MAC) is generated as follows:²

$MAC = AES-CMAC_k(m)$

A device can implement AES functions in the Host or can use the HCI_LE_Encrypt command (see [Vol 4] Part E, Section 7.8.22) in order to use the AES function in the Controller.

2.2.6 LE Secure Connections confirm value generation function $f4$

During the LE Secure Connections pairing process, confirm values are exchanged. These confirm values are computed using the confirm value generation function $f4$.

This confirm value generation function makes use of the MAC function AES-CMAC $_X$, with a 128-bit key X .

The inputs to function $f4$ are:

U is 256 bits

V is 256 bits

X is 128 bits

Z is 8 bits

1. <http://www.ietf.org/rfc/rfc4493.txt>

2. RFC4493 uses the notation $MAC = AES-CMAC(k,m)$ where k is the key. This is functionally the same as the notation used in this specification $MAC = AES-CMAC_k(m)$



Z is zero (i.e. 8 bits of zeros) for Numeric Comparison and OOB protocol. In the Passkey Entry protocol, the most significant bit of Z is set equal to one and the least significant bit is made up from one bit of the passkey e.g. if the passkey bit is 1, then $Z = 0x81$ and if the passkey bit is 0, then $Z = 0x80$.

U, V and Z are concatenated and used as input m to the function AES-CMAC and X is used as the key k .

The inputs to $f4$ are different depending on different association models:

Numeric Comparison/ Just Works	Out-Of-Band	Passkey Entry
$C_a = f4(PK_{ax}, PK_{bx}, N_a, 0)$ $C_b = f4(PK_{bx}, PK_{ax}, N_b, 0)$	$C_a = f4(PK_{ax}, PK_{ax}, r_a, 0)$ $C_b = f4(PK_{bx}, PK_{bx}, r_b, 0)$	$C_{ai} = f4(PK_{ax}, PK_{bx}, N_{ai}, r_{ai})$ $C_{bi} = f4(PK_{bx}, PK_{ax}, N_{bi}, r_{bi})$

Table 2.1: Inputs to $f4$ for the different protocols

PK_{ax} denotes the x-coordinate of the public key PK_a of A. Similarly, PK_{bx} denotes the x-coordinate of the public key PK_b of B. N_{ai} is the nonce value of i^{th} round. For each round N_{ai} value is a new 128-bit number. Similarly, r_{ai} is a one bit value of the passkey expanded to 8 bits (either $0x80$ or $0x81$).

N_a and N_b are nonces from Devices A and B. r_a and r_b are random values generated by devices A and B.

The output of the confirm value generation function $f4$ is as follows:

$$f4(U, V, X, Z) = AES-CMAC_X(U || V || Z)$$

The least significant octet of Z becomes the least significant octet of the AES-CMAC input message m and the most significant octet of U becomes the most significant octet of the AES-CMAC input message m .

2.2.7 LE Secure Connections key generation function $f5$

The LE Secure Connections key generation function $f5$ is used to generate derived keying material in order to create the LTK and keys for the commitment function $f6$ during the LE Secure Connections pairing process.

The definition of this key generation function makes use of the MAC function $AES-CMAC_T$ with a 128-bit key T.



The inputs to function f_5 are:

W is 256 bits

N_1 is 128 bits

N_2 is 128 bits

A_1 is 56 bits

A_2 is 56 bits

The key (T) is computed as follows:

$$T = \text{AES-CMAC}_{\text{SALT}}(W)$$

SALT is the 128-bit value:

0x6C888391_AAF5A538_60370BDB_5A6083BE

Counter, keyID, N_1 , N_2 , A_1 , A_2 , and Length are concatenated and used as input m to the function AES-CMAC and T is used as the key k .

Counter is one octet. Length is two octets.

The string “btle” is mapped into a keyID using ASCII as 0x62746C65.

The output of the key generation function f_5 is as follows:

$$f_5(W, N_1, N_2, A_1, A_2) = \text{AES-CMAC}_T(\text{Counter} = 0 \parallel \text{keyID} \parallel N_1 \parallel N_2 \parallel A_1 \parallel A_2 \parallel \text{Length} = 256) \parallel \text{AES-CMAC}_T(\text{Counter} = 1 \parallel \text{keyID} \parallel N_1 \parallel N_2 \parallel A_1 \parallel A_2 \parallel \text{Length} = 256)$$

The least significant octet of Length becomes the least significant octet of the AES-CMAC input message m and the most significant octet of Counter becomes the most significant octet of the AES-CMAC input message m .

The LTK and MacKey are calculated as:

$$\text{MacKey} \parallel \text{LTK} = f_5(\text{DHKey}, N_c, N_p, \text{BD_ADDR_C}, \text{BD_ADDR_P})$$

DHKey is the shared secret Diffie-Hellman key generated during LE Secure Connections pairing phase 2.

N_c is whichever of N_1 and N_2 was generated by the Central and sent to the Peripheral; N_p is the other.

BD_ADDR_C is the device address of the Central and BD_ADDR_P is the device address of the Peripheral. The device addresses are the values used during connection setup. The least significant bit in the most significant octet in both BD_ADDR_C and BD_ADDR_P is set to 1 if the address is a random address and set to 0 if the address is a public address. The 7 most significant bits of the most significant octet in both BD_ADDR_C and BD_ADDR_P are set to 0.



The LTK is the least significant 128 bits (Counter = 1) of $f5$. The MacKey (see [Section 2.2.8](#)) is the most significant 128 bits (Counter = 0) of $f5$.

A device can implement Diffie-Hellman key generation in the Host or can use the HCI_LE_Generate_DHKey command (see [\[Vol 4\] Part E, Section 7.8.37](#)) to generate the key in the Controller.

Note: When using the HCI_LE_Generate_DHKey command, the device can only pair one remote device at a time.

2.2.8 LE Secure Connections check value generation function $f6$

The LE Secure Connections check value generation function $f6$ is used to generate check values during authentication stage 2 of the LE Secure Connections pairing process.

The definition of the $f6$ function makes use of the MAC function AES-CMAC_W with a 128-bit key W .

The inputs to function $f6$ are:

- W is 128 bits
- N1 is 128 bits
- N2 is 128 bits
- R is 128 bits
- IOcap is 24 bits
- A1 is 56 bits
- A2 is 56 bits

N1, N2, R, IOcap, A1 and A2 are concatenated and used as input m to the function AES-CMAC and W is used as the key k .

The inputs to $f6$ are different depending on different association models:

Numeric Comparison/ Just Works	Out-Of-Band	Passkey Entry
$Ea = f6(\text{MacKey}, Na, Nb, 0, \text{IOcapA}, A, B)$	$Ea = f6(\text{MacKey}, Na, Nb, rb, \text{IOcapA}, A, B)$	$Ea = f6(\text{MacKey}, Na20, Nb20, rb, \text{IOcapA}, A, B)$
$Eb = f6(\text{MacKey}, Nb, Na, 0, \text{IOcapB}, B, A)$	$Eb = f6(\text{MacKey}, Nb, Na, ra, \text{IOcapB}, B, A)$	$Eb = f6(\text{MacKey}, Nb20, Na20, ra, \text{IOcapB}, B, A)$

Table 2.2: Inputs to $f6$ for the different protocols

MacKey is the 128-bit MSBs of the output of $f5$.

Na is the random number sent by the Central to the Peripheral and Nb is the random number sent by the Peripheral to the Central.



IOcapA is the capabilities of the Central and IOcapB is the capabilities of the Peripheral. IOcapA and IOcapB are both three octets with the most significant octet as the AuthReq parameter, the middle octet as the OOB data flag and the least significant octet as the IO capability parameter. The AuthReq, OOB data flag and IO capability parameters are present in the Pairing Request and Pairing Response SMP packets.

In Passkey Entry, ra and rb are 6-digit passkey values expressed as a 128-bit integer. For instance, if the 6-digit value of ra is 131313 then

$$ra = 0x\ 00\ 00\ 00\ 00\ 00\ 00\ 00\ 00\ 00\ 00\ 00\ 00\ 00\ 02\ 00\ f1$$

A is the device address of the Central and B is the device address of the Peripheral. The least significant bit in the most significant octet in both A and B is set to 1 if the address is a random address and set to 0 if the address is a public address. The 7 most significant bits of the most significant octet in both A and B are set to 0.

The output of the check value generation function $f6$ is as follows:

$$f6(W, N1, N2, R, IOcap, A1, A2) = \\ AES-CMAC_W(N1 \parallel N2 \parallel R \parallel IOcap \parallel A1 \parallel A2)$$

The least significant octet of A2 becomes the least significant octet of the AES-CMAC input message m and the most significant octet of N1 becomes the most significant octet of the AES-CMAC input message m .

2.2.9 LE Secure Connections numeric comparison value generation function $g2$

The LE Secure Connections numeric comparison value generation function $g2$ is used to generate the numeric comparison values during authentication stage 1 of the LE Secure Connections pairing process.

The definition of $g2$ makes use of the MAC function $AES-CMAC_X$ with 128-bit key X.

The inputs to function $g2$ are:

- U is 256 bits
- V is 256 bits
- X is 128 bits
- Y is 128 bits

U, V, and Y are concatenated and used as input m to the function AES-CMAC and X is used as the key k .

The output of the numeric comparison value generation function $g2$ is as follows:

$$g2(U, V, X, Y) = AES-CMAC_X(U \parallel V \parallel Y) \bmod 2^{32}$$



The least significant octet of Y becomes the least significant octet of the AES-CMAC input message m and the most significant octet of U becomes the most significant octet of the AES-CMAC input message m .

The numeric verification value is taken as the six least significant digits of the 32-bit integer $g2(PKax, PKbx, Na, Nb)$ where $PKax$ denotes the x-coordinate of the public key PKa of A and $PKbx$ denotes the x-coordinate of the public key PKb of B . Na and Nb are nonces from devices A and B . The value is then converted to decimal numeric value. The checksum used for numeric comparison is the least significant six digits.

$$\text{Compare Value} = g2(U, V, X, Y) \bmod 10^6$$

For example, if output = 0x 01 2e b7 2a then decimal value = 19838762 and the checksum used for numeric comparison is 838762.

2.2.10 Link key conversion function $h6$

The function $h6$ is used to convert keys of a given size from one key type to another key type with equivalent strength.

The definition of the $h6$ function makes use of the hashing function $AES-CMAC_W$ with 128-bit key W .

The inputs to function $h6$ are:

W is 128 bits
keyID is 32 bits

keyID is used as input m to the hashing function $AES-CMAC$ and the most significant 128-bits of W are used as the key k (2.2.5).

The output of $h6$ is as follows:

$$h6(W, \text{keyID}) = AES-CMAC_W(\text{keyID})$$

2.2.11 Link key conversion function $h7$

The function $h7$ is used to convert keys of a given size from one key type to another key type with equivalent strength.

The definition of the $h7$ function makes use of the hashing function $AES-CMAC_{SALT}$ with 128-bit key $SALT$.

The inputs to function $h7$ are:

$SALT$ is 128 bits
 W is 128 bits

W is used as input m to the hashing function $AES-CMAC$ and $SALT$ is used as the key k (2.2.5).



The output of $h7$ is as follows:

$$h7(\text{SALT}, W) = \text{AES-CMAC}_{\text{SALT}}(W)$$

2.3 PAIRING METHODS

When pairing is started, the Pairing Feature Exchange shall be initiated by the initiating device. If the responding device does not support pairing or pairing cannot be performed then the responding device shall respond using the Pairing Failed message with the error code “Pairing Not Supported” otherwise it responds with a Pairing Response message.

The Pairing Feature Exchange is used to exchange IO capabilities, OOB authentication data availability, authentication requirements, key size requirements and which transport specific keys to distribute. The IO capabilities, OOB authentication data availability and authentication requirements are used to determine the key generation method used in Phase 2.

All of the LE legacy pairing methods use and generate 2 keys:

1. Temporary Key (TK): a 128-bit temporary key used in the pairing process which is used to generate STK (see [Section 2.3.5.5](#)).
2. Short Term Key (STK): a 128-bit temporary key used to encrypt a connection following pairing.

The LE Secure Connections pairing methods use and generate 1 key:

1. Long Term Key (LTK): a 128-bit key used to encrypt the connection following pairing and subsequent connections.

Authentication requirements are set by GAP, (see [\[Vol 3\] Part C, Section 10.3](#)). The authentication requirements include the type of bonding and man-in-the-middle protection (MITM) requirements.

The initiating device indicates to the responding device which transport specific keys it would like to send to the responding device and which keys it would like the responding device to send to the initiator. The responding device replies with the keys that the initiating device shall send and the keys that the responding device shall send. The keys that can be distributed are defined in [Section 2.4.3](#). If the device receives a command with invalid parameters, it shall respond with Pairing Failed command with the error code “Invalid Parameters.”

2.3.1 Security Properties

Security Properties provided by SM are classified into the following categories:

- LE Secure Connections pairing
- Authenticated MITM protection



- Unauthenticated no MITM protection
- No security requirements

LE Secure Connections pairing utilizes the P-256 elliptic curve (see [\[Vol 2\] Part H, Section 7.6](#)).

In LE legacy pairing, Authenticated man-in-the-middle (MITM) protection is obtained by using the passkey entry pairing method or may be obtained using the out of band pairing method. In LE Secure Connections pairing, Authenticated man-in-the-middle (MITM) protection is obtained by using the passkey entry pairing method or the numeric comparison method or may be obtained using the out of band pairing method. To ensure that Authenticated MITM Protection is generated, the selected Authentication Requirements option must have MITM protection specified.

Unauthenticated no MITM Protection does not have protection against MITM attacks.

For LE Legacy Pairing, none of the pairing methods provide protection against a passive eavesdropper during the pairing process as predictable or easily established values for *TK* are used. If the pairing information is distributed without an eavesdropper being present then all the pairing methods provide confidentiality.

An initiating device shall maintain a record of the Security Properties for the distributed keys in a security database.

A responding device may maintain a record of the distributed key sizes and Security Properties for the distributed keys in a security database. Depending upon the key generation method and negotiated key size a responding device may have to shorten the key length (see [Section 2.3.4](#)) so that the initiator and responder are using identical keys.

Security Properties of the key generated in phase 2 under which the keys are distributed shall be stored in the security database.



2.3.2 IO capabilities

Input and output capabilities of a device are combined to generate its IO capabilities. The input capabilities are described in [Table 2.3](#). The output capabilities are described in [Table 2.4](#).

Capability	Description
No input	Device does not have the ability to indicate 'yes' or 'no'
Yes / No	Device has at least two buttons that can be easily mapped to 'yes' and 'no' or the device has a mechanism whereby the user can indicate either 'yes' or 'no' (see note below).
Keyboard	Device has a numeric keyboard that can input the numbers '0' to '9' and a confirmation. Device also has at least two buttons that can be easily mapped to 'yes' and 'no' or the device has a mechanism whereby the user can indicate either 'yes' or 'no' (see note below).

Table 2.3: User input capabilities

Note: 'yes' could be indicated by pressing a button within a certain time limit otherwise 'no' would be assumed.

Capability	Description
No output	Device does not have the ability to display or communicate a 6 digit decimal number
Numeric output	Device has the ability to display or communicate a 6 digit decimal number

Table 2.4: User output capabilities

The individual input and output capabilities are mapped to a single IO capability for that device which is used in the pairing feature exchange. The mapping is described in [Table 2.5](#).

		Local output capacity	
		No output	Numeric output
Local input capacity	No input	NoInputNoOutput	DisplayOnly
	Yes/No	NoInputNoOutput ¹	DisplayYesNo
	Keyboard	KeyboardOnly	KeyboardDisplay

Table 2.5: I/O capabilities mapping

1. None of the pairing algorithms can use Yes/No input and no output, therefore NoInputNoOutput is used as the resulting IO capability.



2.3.3 OOB authentication data

An out of band mechanism may be used to communicate information which is used during the pairing process. The information shall be a sequence of AD structures (see [\[Vol 3\] Part C, Section 11](#)).

The OOB data flag shall be set if a device has the peer device's out of band authentication data. A device uses the peer device's out of band authentication data to authenticate the peer device. In LE legacy pairing, the out of band method is used if both the devices have the other device's out of band authentication data available. In LE Secure Connections pairing, the out of band method is used if at least one device has the peer device's out of band authentication data available.

2.3.4 Encryption key size

Each device shall have maximum and minimum encryption key length parameters which defines the maximum and minimum size of the encryption key allowed in octets. The maximum and minimum encryption key length parameters shall be between 7 octets (56 bits) and 16 octets (128 bits), in 1 octet (8 bit) steps. This is defined by a profile or device application.

The shorter of the initiating and responding devices' maximum encryption key length parameters shall be used as the encryption key size.

Both the initiating and responding devices shall check that the resultant encryption key size is not shorter than the minimum key size parameter for that device and if it is, the device shall send the Pairing Failed command with error code "Encryption Key Size".

The encryption key size may be stored so it can be checked by any service that has minimum encryption key length requirements.

If a key has an encryption key size that is shorter than 16 octets (128 bits), it shall be created by masking the appropriate number of most significant octets of the generated key to provide a resulting key that has the agreed encryption key size. The key shall be masked after generation and, if required, after the key is used to derive a BR/EDR link key. The key shall be masked before the key is distributed, used for encryption, or stored.

For example, if a 128-bit encryption key is

0x12345678_9ABCDEF0_12345678_9ABCDEF0

and it is reduced to 7 octets (56 bits), then the resulting key is

0x00000000_00000000_00345678_9ABCDEF0.



2.3.5 Pairing algorithms

The information exchanged in Phase 1 is used to select which key generation method is used in Phase 2.

When LE legacy pairing is used, the pairing is performed by each device generating a Temporary Key (*TK*). The method to generate *TK* depends upon the pairing method chosen using the algorithm described in [Section 2.3.5.1](#). If Just Works is used then *TK* shall be generated as defined in [Section 2.3.5.2](#). If Passkey Entry is used then *TK* shall be generated as defined in [Section 2.3.5.3](#). If Out Of Band is used then *TK* shall be generated as defined in [Section 2.3.5.4](#). The *TK* value shall be used in the authentication mechanism defined in [Section 2.3.5.5](#) to generate the STK and encrypt the link.

2.3.5.1 Selecting key generation method

If both devices have not set the MITM option in the Authentication Requirements Flags, then the IO capabilities shall be ignored and the Just Works association model shall be used.

In LE legacy pairing, if both devices have Out of Band authentication data, then the Authentication Requirements Flags shall be ignored when selecting the pairing method and the Out of Band pairing method shall be used. Otherwise, the IO capabilities of the device shall be used to determine the pairing method as defined in [Table 2.8](#).

In LE Secure Connections pairing, if one or both devices have out of band authentication data, then the Authentication Requirements Flags shall be ignored when selecting the pairing method and the Out of Band pairing method shall be used. Otherwise, the IO capabilities of the device shall be used to determine the pairing method as defined in [Table 2.8](#).

[Table 2.6](#) defines the STK generation method when at least one of the devices does not support LE Secure Connections.

			Initiator			
			OOB Set		OOB Not Set	
			MITM Set	MITM Not Set	MITM Set	MITM Not Set
Responder	OOB Set	MITM Set	Use OOB	Use OOB	Use IO Capabilities	Use IO Capabilities
		MITM Not Set	Use OOB	Use OOB	Use IO Capabilities	Use Just Works
	OOB Not Set	MITM Set	Use IO Capabilities	Use IO Capabilities	Use IO Capabilities	Use IO Capabilities
		MITM Not Set	Use IO Capabilities	Use Just Works	Use IO Capabilities	Use Just Works

Table 2.6: Rules for using Out-of-Band and MITM flags for LE legacy pairing



Table 2.7 defines the LTK generation method when both devices support LE Secure Connections.

			Initiator			
			OOB Set		OOB Not Set	
			MITM Set	MITM Not Set	MITM Set	MITM Not Set
Responder	OOB Set	MITM Set	Use OOB	Use OOB	Use OOB	Use OOB
		MITM Not Set	Use OOB	Use OOB	Use OOB	Use OOB
	OOB Not Set	MITM Set	Use OOB	Use OOB	Use IO Capabilities	Use IO Capabilities
		MITM Not Set	Use OOB	Use OOB	Use IO Capabilities	Use Just Works

Table 2.7: Rules for using Out-of-Band and MITM flags for LE Secure Connections pairing

Responder		Initiator			
		DisplayOnly	Display YesNo	Keyboard Only	NoInput NoOutput
Display Only	Just Works Unauthenticated	Just Works Unauthenticated	Passkey Entry: responder displays, initiator inputs Authenticated	Just Works Unauthenticated	Passkey Entry: responder displays, initiator inputs Authenticated
		Just Works (For LE Legacy Pairing) Unauthenticated	Passkey Entry: responder displays, initiator inputs Authenticated		Passkey Entry (For LE Legacy Pairing): responder displays, initiator inputs Authenticated
Display YesNo	Just Works Unauthenticated	Numeric Comparison (For LE Secure Connections) Authenticated	Authenticated	Just Works Unauthenticated	Numeric Comparison (For LE Secure Connections) Authenticated

Table 2.8: Mapping of IO capabilities to key generation method



Responder	Initiator				
	DisplayOnly	Display YesNo	Keyboard Only	NoInput NoOutput	Keyboard Display
Keyboard Only	Passkey Entry: initiator displays, responder inputs Authenticated	Passkey Entry: initiator displays, responder inputs Authenticated	Passkey Entry: initiator and responder input Authenticated	Just Works Unauthenticated	Passkey Entry: initiator displays, responder inputs Authenticated
NoInput NoOutput	Just Works Unauthenticated	Just Works Unauthenticated	Just Works Unauthenticated	Just Works Unauthenticated	Just Works Unauthenticated
Keyboard Display	Passkey Entry: initiator displays, responder inputs Authenticated	Passkey Entry (For LE Legacy Pairing): initiator displays, responder inputs Authenticated	Passkey Entry: responder displays, initiator inputs Authenticated	Just Works Unauthenticated	Passkey Entry (For LE Legacy Pairing): initiator displays, responder inputs Authenticated
		Numeric Comparison (For LE Secure Connections) Authenticated	Authenticated		Numeric Comparison (For LE Secure Connections) Authenticated

Table 2.8: Mapping of IO capabilities to key generation method

The generated key will either be an Authenticated or Unauthenticated key. If the out of band authentication method is used and the Out of Band mechanism is known to be secure from eavesdropping the key is assumed to be Authenticated; however, the exact strength depends upon the method used to transfer the out of band information. If the Out of Band method is used and the Out of Band mechanism is not secure from eavesdropping or the level of eavesdropping protection is unknown, the key shall be Unauthenticated. The mapping of IO capabilities to an authenticated or unauthenticated key is described in [Table 2.8](#).

In LE legacy pairing, if the initiating device has Out of Band data and the responding device does not have Out of Band data then the responding device may send the Pairing Failed command with the error code “OOB Not Available” instead of the Pairing Response command.



If the key generation method does not result in a key that provides sufficient Security Properties (see [Section 2.3.1](#)) then the device shall send the Pairing Failed command with the error code “Authentication Requirements”.

2.3.5.2 LE legacy pairing - Just Works

The Just Works STK generation method provides no protection against eavesdroppers or man in the middle attacks during the pairing process. If the attacker is not present during the pairing process then confidentiality can be established by using encryption on a future connection.

Both devices set the TK value used in the authentication mechanism defined in [Section 2.3.5.5](#) to zero.

2.3.5.3 LE legacy pairing - Passkey Entry

The Passkey Entry STK generation method uses 6 numeric digits passed out of band by the user between the devices. A 6 digit numeric randomly generated passkey achieves approximately 20 bits of entropy.

If the IO capabilities of a device are DisplayOnly or if [Table 2.8](#) defines that the device displays the passkey, then that device shall display a randomly generated passkey value between 000,000 and 999,999. The display shall ensure that all 6 digits are displayed – including zeros. The other device shall allow the user to input a value between 000,000 and 999,999.

If the IO capabilities of both devices are KeyboardOnly then the user generates a random 6-digit passkey value and enters it into both devices. Both devices shall allow the user to input a value between 000,000 and 999,999.

The passkey should be generated randomly during each pairing procedure and not be reused from a previous procedure. Static passkeys should not be used since they can compromise the security of the link.

If entry of passkey in UI fails to occur or is cancelled then the device shall send Pairing Failed command with reason code “Passkey Entry Failed”.

For example, if the user entered passkey is ‘019655’ then TK shall be 0x00000000000000000000000000000004CC7.

The passkey Entry method does not provide protection against active “man-in-the-middle” (MITM) attacks.

The Passkey Entry STK generation method provides very limited protection against eavesdroppers during the pairing process because of the limited range of possible TK values which STK is dependent upon. If the attacker is not present during the pairing process then confidentiality and authentication can be established by using encryption on a future connection.



The TK value shall then be used in the authentication mechanism defined in [Section 2.3.5.5](#).

2.3.5.4 *Out of band*

An out of band mechanism may be used to communicate information to help with device discovery, for example device address, and the 128-bit TK value used in the pairing process. The TK value shall be a 128-bit random number using the requirements for random generation defined in [\[Vol 2\] Part H, Section 2](#).

If the OOB communication is resistant to MITM attacks, then this association method is also resistant to MITM attacks. Also, in the Out of Band method, the size of authentication parameter (TK) need not be restricted by what the user can comfortably read or type. For that reason, the Out of Band method can be more secure than using the Passkey Entry or Just Works methods. However, both devices need to have matching OOB interfaces.

MITM protection is only provided if an active man-in-the-middle chance of a successful attack has a probability of 0.000001 or less in succeeding.

2.3.5.5 *LE legacy pairing phase 2*

The initiating device generates a 128-bit random number (LP_RAND_I).

The initiating device calculates the 128-bit confirm value ($LP_CONFIRM_I$) using the confirm value generation function $c1$ (see [Section 2.2.3](#)) with the input parameter k set to TK , the input parameter r set to LP_RAND_I , the input parameter $preq$ set to Pairing Request command as exchanged with the peer device (i.e. without any modifications), the input parameter $pres$ set to the Pairing Response command as exchanged with the peer device (i.e. without any modifications), the input parameter iat set to the initiating device address type, ia set to the initiating device address, rat set to the responding device address type and ra set to the responding device address:

$$LP_CONFIRM_I = c1(TK, LP_RAND_I, \\ \text{Pairing Request command, Pairing Response command,} \\ \text{initiating device address type, initiating device address,} \\ \text{responding device address type, responding device address})$$

Initiating and responding device addresses used for confirmation generation shall be device addresses used during connection setup, see [\[Vol 3\] Part C, Section 9.3](#)

The responding device generates a 128-bit random number (LP_RAND_R).

The responding device calculates the 128-bit confirm value ($LP_CONFIRM_R$) using the confirm value generation function $c1$ (see [Section 2.2.3](#)) with the input parameter k set to TK , the input parameter r set to LP_RAND_R , the input parameter $preq$ set to Pairing Request command, the input parameter $pres$ set to the Pairing Response command, the input parameter iat set to the



initiating device address type, ia set to the initiating device address, rat set to the responding device address type and ra set to the responding device address:

$$LP_CONFIRM_R = c1(TK, LP_RAND_R, \text{Pairing Request command, Pairing Response command, initiating device address type, initiating device address, responding device address type, responding device address})$$

The initiating device transmits $LP_CONFIRM_I$ to the responding device. When the responding device receives $LP_CONFIRM_I$ it transmits $LP_CONFIRM_R$ to the initiating device. When the initiating device receives $LP_CONFIRM_R$ it transmits LP_RAND_I to the responding device.

The responding device verifies the $LP_CONFIRM_I$ value by repeating the calculation the initiating device performed, using the LP_RAND_I value received.

If the responding device's calculated $LP_CONFIRM_I$ value does not match the received $LP_CONFIRM_I$ value from the initiating device then the pairing process shall be aborted and the responding device shall send the Pairing Failed command with reason code "Confirm Value Failed".

If the responding device's calculated $LP_CONFIRM_I$ value matches the received $LP_CONFIRM_I$ value from the initiating device the responding device transmits LP_RAND_R to the initiating device.

The initiating device verifies the received $LP_CONFIRM_R$ value by repeating the calculation the responding device performed, using the LP_RAND_R value received.

If the initiating device's calculated $LP_CONFIRM_R$ value does not match the received $LP_CONFIRM_R$ value from the responding device then the pairing process shall be aborted and the initiating device shall send the Pairing Failed command with the reason code "Confirm Value Failed".

If the initiating device's calculated $LP_CONFIRM_R$ value matches the received $LP_CONFIRM_R$ value from the responding device the initiating device then calculates STK and tells the Controller to enable encryption.

STK is generated using the key generation function $s1$ defined in [Section 2.2.4](#) with the input parameter k set to TK , the input parameter $r1$ set to LP_RAND_R , and the input parameter $r2$ set to LP_RAND_I :

$$STK = s1(TK, LP_RAND_R, LP_RAND_I)$$

If the encryption key size is shorter than 128 bits then the STK shall be masked to the correct key size as described in [Section 2.3.4](#).



The initiator shall use the generated STK to either enable encryption on the link or if encryption has already been enabled, perform the encryption pause procedure (see [Section 2.4.4.1](#)).

2.3.5.6 LE Secure Connections pairing phase 2

The Long Term Key is generated in LE Secure Connections pairing phase 2.

2.3.5.6.1 Public key exchange

Initially, each device generates its own Elliptic Curve Diffie-Hellman (ECDH) public-private key pair (phase 1). The public-private key pair contains a private (secret) key, and a public key. The private keys of devices A and B are denoted as SK_a and SK_b respectively. The public keys of devices A and B are denoted as PK_a and PK_b respectively. See [Section 2.3.6](#) for recommendations on how frequently this key pair should be changed.

Pairing is initiated by the initiating device sending its public key to the receiving device (phase 1a). The responding device replies with its own public key (phase 1b). If the two public keys have the same X coordinate and neither is the debug key, each device should fail the pairing process. These public keys are not regarded as secret although they may identify the devices.

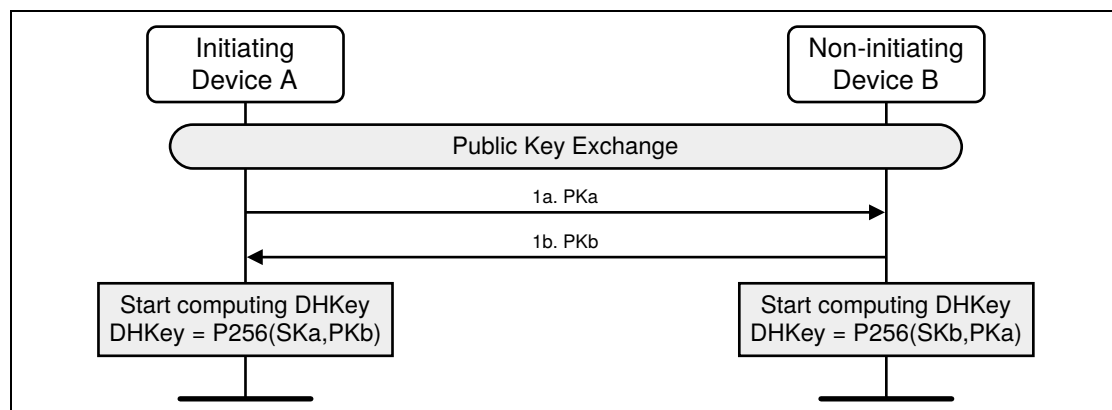


Figure 2.2: Public key exchange

A device shall validate that any public key received from any BD_ADDR is on the correct curve (P-256).

A valid public key $Q = (X_Q, Y_Q)$ is one where X_Q and Y_Q are both in the range 0 to $p - 1$ and satisfy the equation $(Y_Q)^2 = (X_Q)^3 + aX_Q + b \pmod{p}$ in the relevant curve's finite field. See [\[Vol 2\] Part H, Section 7.6](#) for the values of a , b , and p .

A device can validate a public key by directly checking the curve equation, by implementing elliptic curve point addition and doubling using formulas that are valid only on the correct curve, or by other means.



A device that detects an invalid public key from the peer at any point during the LE Secure Connections pairing process shall not use the resulting LTK, if any.

After the public keys have been exchanged, the device can then start computing the Diffie-Hellman Key.

When the Security Manager is placed in a Debug mode it shall use the following Diffie-Hellman private / public key pair:

```
Private key: 3f49f6d4 a3c55f38 74c9b3e3 d2103f50 4aff607b eb40b799
               5899b8a6 cd3c1abd
Public key (X): 20b003d2 f297be2c 5e2c83a7 e9f9a5b9 eff49111 acf4fddb
                 cc030148 0e359de6
Public key (Y): dc809c49 652aeb6d 63329abf 5a52155c 766345c2 8fed3024
                 741c8ed0 1589d28b
```

If a device receives this debug public key and it is in a mode in which it cannot accept the debug key then it may send the Pairing Failed command with the reason set to "Invalid Parameters".

Note: Only one side (initiator or responder) needs to set Secure Connections debug mode in order for debug equipment to be able to determine the LTK and, therefore, be able to monitor the encrypted connection.

2.3.5.6.2 Authentication stage 1 – Just Works or Numeric Comparison

The Numeric Comparison association model will be used during pairing if the MITM bit is set to 1 in the Authentication Requirements in the Pairing Request PDU and/or Pairing Response PDU and both devices have IO capabilities set to either DisplayYesNo or KeyboardDisplay.

The sequence diagram of Authentication stage 1 for the Just Works or Numeric Comparison protocol from the cryptographic point of view is shown in [Figure 2.3](#).

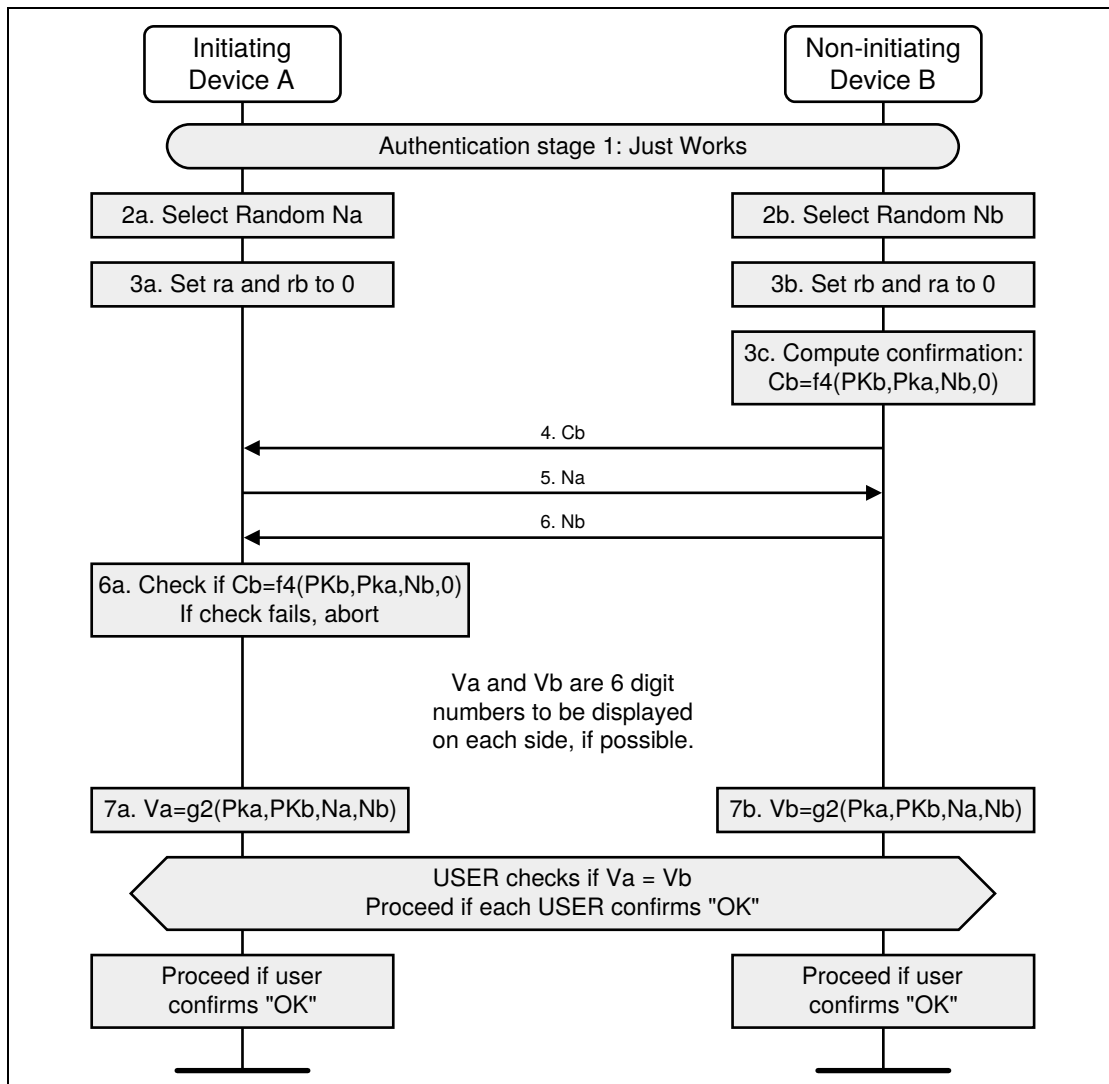


Figure 2.3: "Authentication stage 1: Just Works or Numeric Comparison, LE Secure Connections

After the public keys have been exchanged, each device selects a random 128-bit nonce (step 2). This value is used to mitigate replay attacks and shall be freshly generated with each instantiation of the pairing protocol. This value should be generated directly from a physical source of randomness or with a good pseudo-random generator seeded with a random value from a physical source.

Following this the responding device then computes a commitment to the two public keys that have been exchanged and its own nonce value (step 3c). This commitment is computed as a one-way function of these values and is transmitted to the initiating device (step 4). The commitment prevents an attacker from changing these values at a later time.

The initiating and responding devices then exchange their respective nonce values (steps 5 and 6) and the initiating device confirms the commitment (step 6a). A failure at this point indicates the presence of an attacker or other



transmission error and causes the protocol to abort. The protocol may be repeated with or without the generation of new public-private key pairs, but new nonces shall be generated if the protocol is repeated.

When Just Works is used, the commitment checks (steps 7a and 7b) are not performed and the user is not shown the 6-digit values.

When Numeric Comparison is used, assuming that the commitment check succeeds, the two devices each compute 6-digit confirmation values that are displayed to the user on their respective devices (steps 7a, 7b, and 8). The user is expected to check that these 6-digit values match and to confirm if there is a match. If there is no match, the protocol aborts and, as before, new nonces shall be generated if the protocol is to be repeated.

An active MITM must inject its own key material into this process to have any effect other than denial-of-service. A simple MITM attack will result in the two 6-digit display values being different with probability 0.999999. A more sophisticated attack may attempt to engineer the display values to match, but this is thwarted by the commitment sequence. If the attacker first exchanges nonces with the responding device, it must commit to the nonce that it will use with the initiating device before it sees the nonce from the initiating device. If the attacker first exchanges nonces with the initiating device, it must send a nonce to the responding device before seeing the nonce from the responding device. In each case, the attacker must commit to at least the second of its nonces before knowing the second nonce from the legitimate devices. It therefore cannot choose its own nonces in such a way as to cause the display values to match.

2.3.5.6.3 Authentication stage 1 – Passkey Entry

The Passkey Entry protocol is used when SMP IO capability exchange sequence indicates that Passkey Entry shall be used.

The sequence diagram for Authentication stage 1 for Passkey Entry from the cryptographic point of view is shown in [Figure 2.4](#).

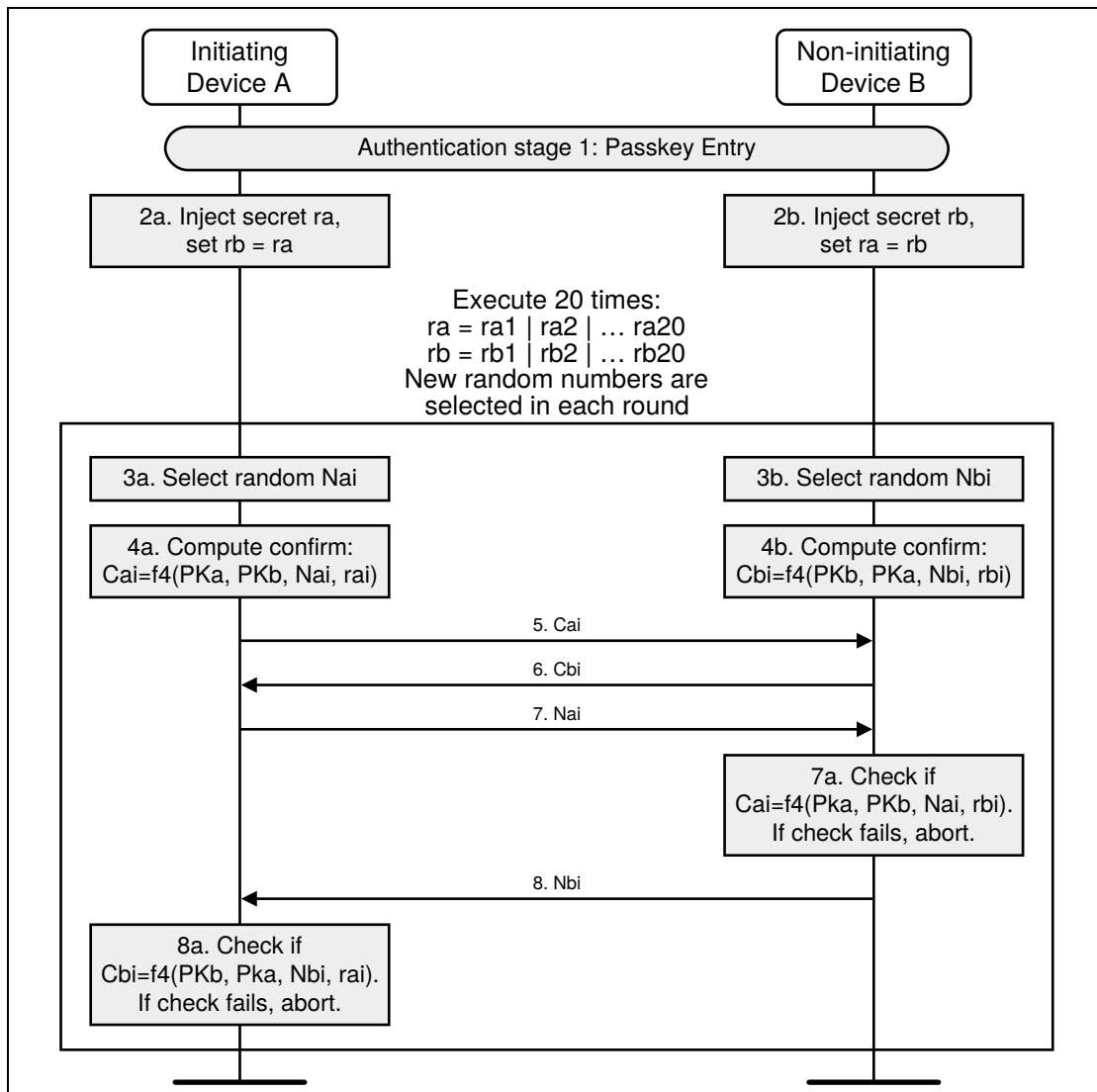


Figure 2.4: Authentication stage 1: Passkey Entry, LE Secure Connections

The user inputs an identical Passkey into both devices. Alternately, the Passkey may be generated and displayed on one device, and the user then inputs it into the other (step 2). This short shared key will be the basis of the mutual authentication of the devices. The Passkey should be generated randomly during each pairing procedure and not be reused from a previous procedure. Static Passkeys should not be used since they can compromise the security of the link.

Steps 3 to 8 are repeated 20 times since a 6-digit Passkey is 20 bits (999999=0xF423F). If the device allows a shorter passkey to be entered, it shall be prefixed with zeros (e.g. “1234” is equivalent to “001234”).

In Steps 3 to 8, each side commits to each bit of the Passkey, using a long nonce (128 bits), and sending the hash of the nonce, the bit of the Passkey, and both public keys to the other party. The parties then take turns revealing their commitments until the entire Passkey has been mutually disclosed. The



first party to reveal a commitment for a given bit of the Passkey effectively reveals that bit of the Passkey in the process, but the other party then has to reveal the corresponding commitment to show the same bit value for that bit of the Passkey, or else the first party will then abort the protocol, after which no more bits of the Passkey are revealed.

This "gradual disclosure" prevents leakage of more than 1 bit of un-guessed Passkey information in the case of a MITM attack. A MITM attacker with only partial knowledge of the Passkey will only receive one incorrectly-guessed bit of the Passkey before the protocol fails. Hence, a MITM attacker who engages first one side, then the other will only gain an advantage of at most two bits over a simple brute-force guesser, making the probability of success 0.000004 instead of 0.000001.

The long nonce is included in the commitment hash to make it difficult to brute force even after the protocol has failed. The public Diffie-Hellman values are included to tie the Passkey protocol to the original ECDH key exchange, to prevent a MITM from substituting the attacker's public key on both sides of the ECDH exchange in standard MITM fashion.

At the end of this stage, N_a is set to N_{a20} and N_b is set to N_{b20} for use in Authentication stage 2.

2.3.5.6.4 Authentication stage 1 – Out of Band

The Out-of-Band protocol is used when authentication information has been received by at least one of the devices and indicated in the OOB data flag parameter included in the SMP Pairing Request and SMP Pairing Response PDU. The mode in which the discovery of the peer device is first done in-band and then followed by the transmission of authentication parameters through OOB interface is not supported. The sequence diagram for Authentication stage 1 for Out of Band from the cryptographic point of view is shown in [Figure 2.5](#).

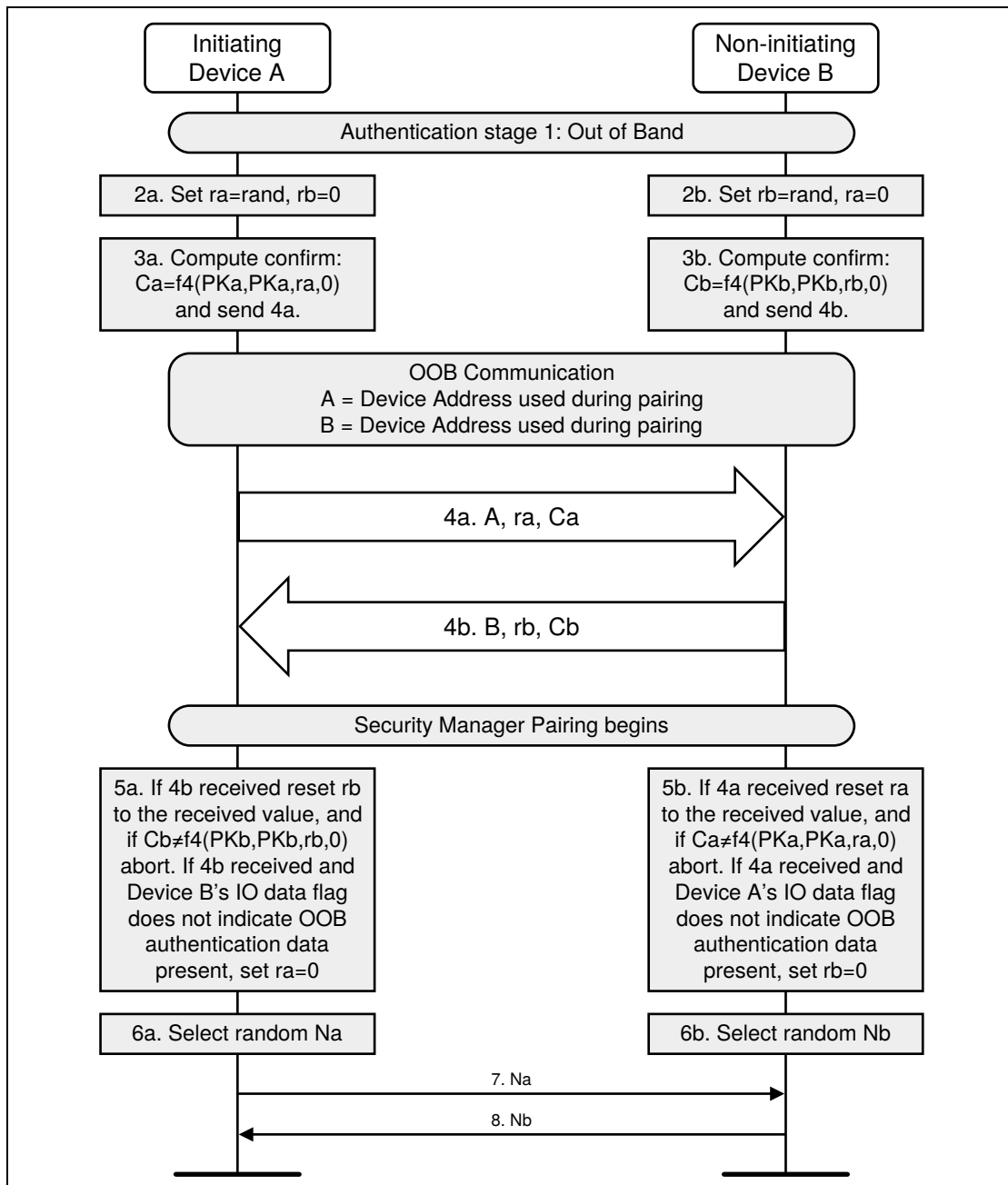


Figure 2.5: Authentication stage 1: Out of Band, LE Secure Connections

Principle of operation. If both devices can transmit and/or receive data over an out-of-band channel, then mutual authentication will be based on the commitments of the public keys (C_a and C_b) exchanged OOB in Authentication stage 1. If OOB communication is possible only in one direction, then authentication of the device receiving the OOB communication will be based on that device knowing a random number r sent via OOB. In this case, r must be secret: r can be created afresh every time, or access to the device sending r must be restricted. If r is not sent by a device, it is assumed to be 0 by the device receiving the OOB information in step 4a or 4b.



Roles of A and B. The OOB Authentication stage 1 protocol is symmetric with respect to the roles of A and B. It does not require that device A always will initiate pairing and it automatically resolves asymmetry in the OOB communication.

Order of steps. The public key exchange must happen before the verification step 5. In the diagram the in-band public key exchange between the devices (step 1) is done before the OOB communication (step 4). But when the pairing is initiated by an OOB interface, public key exchange will happen after the OOB communication (step 1 will be between steps 4 and 5).

Values of r_a and r_b : Since the direction of the peer's OOB interface cannot be verified before the OOB communication takes place, a device should always generate and if possible transmit through its OOB interface a random number r to the peer. Each device applies the following rules locally to set the values of its own r and the value of the peer's r :

1. Initially, r of the device is set to a random number and r of the peer is set to 0 (step 2).
2. If a device has received OOB, it sets the peer's r value to what was sent by the peer (Step 5).
3. If the remote device's OOB data flag sent in the SMP Pairing Request or SMP Pairing Response is set to "OOB Authentication data not present", it sets its own r value to 0 (Step 5)

2.3.5.6.5 Authentication stage 2 and long term key calculation

The second stage of authentication then confirms that both devices have successfully completed the exchange. This stage is identical in all three protocols and is shown in [Figure 2.6](#).

Each device computes the MacKey and the LTK using the previously exchanged values and the newly derived shared key (step 9). Each device then computes a new key confirmation value that includes the previously exchanged values and the newly derived MacKey (step 10a and 10b). The initiating device then transmits its key confirmation value, which is checked by the responding device (step 11). If this check fails, it indicates that the initiating device has not confirmed the pairing, and the protocol shall be aborted. The responding device then transmits its key confirmation value, which is checked by the initiating device (step 12). A failure indicates that the responding device has not confirmed the pairing and the protocol should abort.

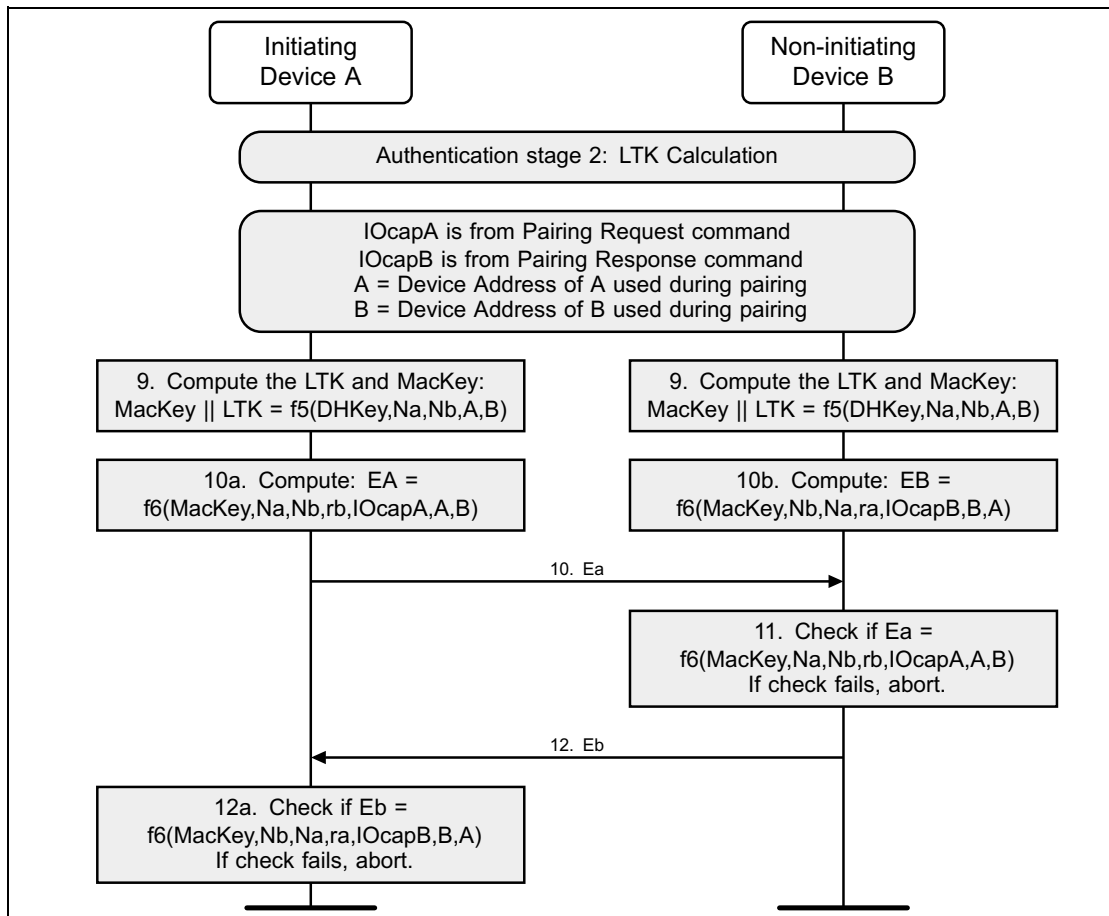


Figure 2.6: Authentication stage 2 and long term key calculation

2.3.5.7 Cross-transport key derivation

When a pair of BR/EDR/LE devices support Secure Connections on a transport, the devices may optionally generate a key of identical strength for the other transport. There are two sequences:

- If Secure Connections pairing occurs on the LE transport, the procedures in [Section 2.4.2.4](#) may be used.
- If Secure connections pairing occurs on the BR/EDR transport, the procedures in [Section 2.4.2.5](#) may be used.

2.3.6 Repeated attempts

When a pairing procedure fails a waiting interval shall pass before the verifier will initiate a new Pairing Request command or Security Request command to the same claimant, or before it will respond to a Pairing Request command or Security Request command initiated by a device claiming the same identity as the failed device. For each subsequent failure, the waiting interval shall be increased exponentially. That is, after each failure, the waiting interval before a new attempt can be made, could be for example, twice as long as the waiting



interval prior to the previous attempt¹. The waiting interval should be limited to a maximum.

The maximum waiting interval depends on the implementation. The waiting time shall exponentially decrease to a minimum when no new failed attempts are made during a certain time period. This procedure restricts the rate at which an intruder can repeat the pairing procedure with different keys.

To protect a device's private key, a device should implement a method to prevent an attacker from retrieving useful information about the device's private key. For this purpose, a device should change its private key after every pairing (successful or failed). Otherwise, it should change its private key whenever $S + 3F > 8$, where S is the number of successful pairings and F the number of failed attempts since the key was last changed.

2.4 SECURITY IN BLUETOOTH LOW ENERGY

Security shall be initiated by the Security Manager in the device in the Central role. The device in the Peripheral role shall be the responding device. The Peripheral may request the Central to initiate pairing or other security procedures, see [Section 2.4.6](#).

The Peripheral in the key distribution phase gives keys to the Central so a reconnection can be encrypted, its random addresses can be resolved, or the Central can verify signed data from the Peripheral.

The Central may also provide keys to the Peripheral so a reconnection can be encrypted if the roles are reversed, the Central's random addresses can be resolved, or the Peripheral can verify signed data from the Central.

2.4.1 Definition of keys and values

LE security uses the following keys and values for encryption, signing, and random addressing:

1. Identity Resolving Key (IRK) is a 128-bit key used to generate and resolve random addresses.
2. Connection Signature Resolving Key (CSRK) is a 128-bit key used to sign data and verify signatures on the receiving device.
3. Long Term Key (LTK) is a 128-bit key used to generate the contributory session key for an encrypted connection. Link Layer encryption is described in [\[Vol 6\] Part B, Section 5.1.3](#).
4. Encrypted Diversifier (EDIV) is a 16-bit stored value used to identify the LTK distributed during LE legacy pairing. A new EDIV is generated each time a unique LTK is distributed.

1. Another appropriate integer value larger than 1 may be used.



5. Random Number (Rand) is a 64-bit stored valued used to identify the LTK distributed during LE legacy pairing. A new Rand is generated each time a unique LTK is distributed.

2.4.2 Generation of distributed keys

Any method of generation of keys that are being distributed that results in the keys having 128 bits of entropy can be used, as the generation method is not visible outside the Peripheral (see [Appendix B](#)). The keys shall not be generated only from information that is distributed to the Central or only from information that is visible outside of the Peripheral.

2.4.2.1 Generation of IRK

The Identity Resolving Key (IRK) is used for resolvable private address construction (see [\[Vol 3\] Part C, Section 10.8.2](#)). A Central that has received IRK from a Peripheral can resolve that Peripheral's random device addresses. A Peripheral that has received IRK from a Central can resolve that Central's random device addresses. The privacy concept only protects against devices that are not part of the set to which the IRK has been given.

IRK can be assigned, or randomly generated by the device during manufacturing, or some other method could be used. If IRK is randomly generated then the requirements for random generation defined in [\[Vol 2\] Part H, Section 2](#) shall be used.

The encryption key size does not apply to IRK; therefore, its size does not need to be shortened before distribution.

2.4.2.2 Generation of CSRK

The Connection Signature Resolving Key (CSRK) is used to sign data in a connection. A device that has received CSRK can verify signatures generated by the distributing device. The signature only protects against devices that are not part of the set to which CSRK has been given.

CSRK can be assigned or randomly generated by the device during manufacturing, or some other method could be used. If CSRK is randomly generated then the requirements for random generation defined in [\[Vol 2\] Part H, Section 2](#) shall be used.

The encryption key size does not apply to CSRK, therefore its size does not need to be shortened before distribution.

2.4.2.3 LE legacy pairing - generation of LTK, EDIV and Rand

Devices which support encryption in the Link Layer Connection state in the Peripheral Role shall be capable of generating LTK, EDIV, and Rand.



The EDIV and Rand are used by the Peripheral to establish a previously shared LTK in order to start an encrypted connection with a previously paired Central.

The generated LTK size shall not be longer than the negotiated encryption key size, so its size may need to be shortened (see [Section 2.3.4](#)).

New values of LTK, EDIV, and Rand shall be generated each time they are distributed.

The Peripheral may store the mapping between EDIV, Rand and LTK in a security database so the correct LTK value is used when the Central requests encryption. Depending upon the LTK generation method additional information may be stored, for example the size of the distributed LTK.

The Central may also distribute EDIV, Rand, and LTK to the Peripheral which can be used to encrypt a reconnection if the device roles are reversed in a future connection.

2.4.2.4 Derivation of BR/EDR link key from LE LTK

The LTK from the LE physical transport can be converted to the BR/EDR link key for the BR/EDR transport as follows, using intermediate link key (ILK) as an intermediate value:

If at least one device sets CT2 = 0 then

1. $ILK = h6(LTK, \text{"tmp1"})$
2. BR/EDR link key = $h6(ILK, \text{"lebr"})$

If both devices set CT2 = 1 then

1. $ILK = h7(SALT, LTK)$
2. BR/EDR link key = $h6(ILK, \text{"lebr"})$

The string "lebr" is mapped into a keyID using ASCII as 0x6C656272.

The string "tmp1" is mapped into a keyID using ASCII as 0x746D7031 and into a SALT as 0x00000000_00000000_00000000_746D7031.

Note: If the LTK has an encryption key size that is shorter than 16 octets (128 bits), the BR/EDR link key is derived before the LTK gets masked.

2.4.2.5 Derivation of LE LTK from BR/EDR link key

The BR/EDR Link Key from the BR/EDR physical transport can be converted to the LTK for the LE transport as follows, using intermediate long term key (ILTK) as an intermediate value:



If at least one device sets CT2 = 0 then

1. ILTK = $h6$ (Link Key, "tmp2")
2. LTK = $h6$ (ILTK, "brle")

If both devices set CT2 = 1 then

1. ILTK = $h7$ (SALT, Link Key)
2. LTK = $h6$ (ILTK, "brle")

The string "brle" is mapped into a keyID using ASCII as 0x62726C65.

The string "tmp2" is mapped into a keyID using ASCII as 0x746D7032 and into a SALT as 0x00000000_00000000_00000000_746D7032.

2.4.3 Distribution of keys

Key distribution for LE Legacy Pairing and LE Secure Connections is described in the following sections.

2.4.3.1 LE legacy pairing key distribution

The Peripheral may distribute to the Central the following keys:

- LTK, EDIV, and Rand
- IRK
- CSRK

The Central may distribute to the Peripheral the following keys:

- LTK, EDIV, and Rand
- IRK
- CSRK

The security properties of the distributed keys shall be set to the security properties of the STK that was used to distribute them. For example if STK has Unauthenticated no MITM Protection security properties then the distributed keys shall have Unauthenticated no MITM Protection security properties.

The link shall be encrypted or re-encrypted using STK generated in Phase 2 (see [Section 2.4.4.1](#)) before any keys are distributed.

Note: The distributed EDIV and Rand values are transmitted in clear text by the Central to the Peripheral during encrypted session setup.

The BD_ADDR that is received in the Identity Address Information command shall only be considered valid once a reconnection has occurred using the BD_ADDR and LTK distributed during that pairing. Once this is successful the



BD_ADDR and the distributed keys shall be associated with that device in the security database.

A device may request encrypted session setup to use the LTK, EDIV, and Rand values distributed by the Peripheral when the key distribution phase has completed; however, this does not provide any additional security benefit. If an attacker has established the distributed LTK value then performing encrypted session setup to use the distributed values does not provide any protection against that attacker.

2.4.3.2 LE Secure Connections key distribution

The Central and Peripheral may distribute the following keys:

- IRK
- CSRK

The security properties of the distributed keys shall be set to the security properties of the LTK that was used to distribute them. For example if LTK has Unauthenticated no MITM Protection security properties then the distributed keys shall have Unauthenticated no MITM Protection security properties.

The link shall be encrypted or re-encrypted using LTK generated in Phase 2 (see [Section 2.4.4.1](#)) before any keys are distributed.

The BD_ADDR that is received in the Identity Address Information command shall only be considered valid once a reconnection has occurred using the BD_ADDR and LTK generated during that pairing. Once this is successful the BD_ADDR and the distributed keys shall be associated with that device in the security database.

2.4.4 Encrypted session setup

During the encrypted session setup the Central sends a 16-bit Encrypted Diversifier value, *EDIV*, and a 64-bit Random Number, *Rand*, distributed by the Peripheral during pairing, to the Peripheral. The Central's Host provides the Link Layer with the Long Term Key to use when setting up the encrypted session. The Peripheral's Host receives the *EDIV* and *Rand* values and provides a Long Term Key to the Peripheral's Link Layer to use when setting up the encrypted link.

When both devices support LE Secure Connections, the *EDIV* and *Rand* are set to zero.

2.4.4.1 Encryption setup using STK

To distribute LTK and other keys in pairing Phase 3 an encrypted session needs to be established (see [Section 2.3.5.5](#)).



The encrypted session is setup using STK generated in Phase 2 (see [Section 2.3.5.5](#)) as the Long Term Key provided to the Link Layer, (see [\[Vol 6\] Part B, Section 5.1.3.1](#)) *EDIV*, and *Rand* values shall be set to zero.

If the link is already encrypted then the encryption pause procedure is performed using STK generated in Phase 2 as the Long Term Key provided to the Link Layer (see [\[Vol 6\] Part B, Section 5.1.3.2](#)). *EDIV* and *Rand* values shall be set to zero.

2.4.4.2 Encryption setup using LTK

The Central must have the security information (*LTK*, *EDIV*, and *Rand*) distributed by the Peripheral in LE legacy pairing or the LTK generated in LE Secure Connections to setup an encrypted session.

The Central initiates the encrypted session using the security information; see [\[Vol 6\] Part B, Section 5.1.3.1](#). If the link is already encrypted the encryption pause procedure is performed using the security information; see [\[Vol 6\] Part B, Section 5.1.3.2](#).

In LE legacy pairing, the *EDIV* and *Rand* values are used to establish *LTK* which is used as the Long Term Key on the Peripheral. If LTK cannot be established from *EDIV* and *Rand* values then the Peripheral shall reject the request to encrypt the link and may optionally disconnect the link.

The LTK size shall not be longer than the negotiated encryption key size, so its size may need to be shortened (see [Section 2.3.4](#)).

When the security information is stored, subsequent encryption setups may fail if the remote device has deleted the security information. [Table 2.9](#) defines what shall be done depending on the type of the security properties and whether or not bonding was performed when subsequent encryption setup fails.

Security Properties	Devices Bonded	Action to take when enabling encryption fails
Unauthenticated, no MITM protection	No	Depends on security policy of the device: <ul style="list-style-type: none"> • Option 1: Automatically initiate pairing • Option 2: Notify user and ask if pairing is ok. Option 1 is recommended.
Unauthenticated, no MITM protection	Yes	Notify user of security failure

Table 2.9: Action after encryption setup failure



Security Properties	Devices Bonded	Action to take when enabling encryption fails
Authenticated MITM protection	No	Depends on security policy of the device: <ul style="list-style-type: none"> • Option 1: Automatically initiate pairing • Option 2: Notify user and ask if pairing is ok. Option 2 is recommended.
Authenticated MITM protection	Yes	Notify user of security failure

Table 2.9: Action after encryption setup failure

2.4.5 Signing algorithm

An LE device can send signed data without having to establish an encrypted session with a peer device. Data shall be signed using CSRK. A device performing signature verification must have received CSRK from the signing device. The sending device will use its CSRK to sign the transmitted data.

The following are inputs to the signing algorithm:

- m* is variable length
- k* is 128 bits
- SignCounter* is 32 bits

Signing shall be performed using the algorithm defined in the NIST Special Publication 800-38B [1] using AES-128 as the block cipher. NIST SP 800-38B defines the message authentication code (MAC) generation function:

$$MAC = CMAC(K, M, Tlen)$$

The bit length of the MAC (*Tlen*) shall be 64 bits. The key used for signature generation (*k*) shall be set to CSRK.

The message to be signed (*M*) by the CMAC function is the concatenation of the variable length message to be signed (*m*) and 4 octet string representing the 32-bit counter value (*SignCounter*) least significant octet first.

$$M = m || SignCounter$$

For example, if data to be signed is the 7 octet sequence '3456789ABCDEF1' and *SignCounter* is set to 67653874 (0x040850F2) then *M* is the octet sequence '3456789ABCDEF1F2500804'. Examples of CMAC generation using AES-128 as the block cipher are included in NIST Special Publication 800-38B Appendix D.

The *SignCounter* shall be initialized to zero when CSRK is generated and incremented for every message that is signed with a given CSRK.

Note: If a device generates 100,000 signed events a day, a 32-bit counter will wrap after approximately 117 years.



The 64-bit result of the CMAC function is used as the result of the signing algorithm.

To verify a signature a device computes the MAC of a received message and *SignCounter* and compares it with the received MAC. If the MAC does not match then the signature verification has failed. If the MACs match then the signature verification has succeeded.

The device performing verification should store the last verified *SignCounter* in the security database and compare it with a received *SignCounter* to prevent replay attacks. If the received *SignCounter* is greater than the stored value then the message has not been seen by the local device before and the security database can be updated.

2.4.6 Peripheral Security Request

The Peripheral may request security by transmitting a Security Request command to the Central. When a Central receives a Security Request command it may encrypt the link, initiate the pairing procedure, or reject the request.

The Peripheral shall not send the Security Request command if the pairing procedure is in progress, or if the encryption procedure is in progress.

The Security Request command includes the required security properties. A security property of MITM protection required shall only be set if the Peripheral's IO capabilities would allow the Passkey Entry association model to be used or out of band authentication data is available.

The Central shall ignore the Peripheral's Security Request if the Central has sent a Pairing Request without receiving a Pairing Response from the Peripheral or if the Central has initiated encryption mode setup.

If pairing or encryption mode is not supported or cannot be initiated at the time when the Peripheral's Security Request command is received, then the Central shall respond with a Pairing Failed command with the reason set to "Pairing Not Supported."

After receiving a Security Request, the Central shall first check whether it has the required security information to enable encryption; see [Section 2.4.4.2](#). If this information is missing or does not meet the security properties requested by the Peripheral, then the Central shall initiate the pairing procedure. If the pairing procedure is successful, the Central's security database is updated with the keys and security properties are distributed during the pairing procedure.

If the Central has the required security information to enable encryption and it meets the security properties request by the Peripheral, it shall perform encryption setup using LTK, see [Section 2.4.4.2](#).



Figure 2.7 shows a summary of the actions and decisions that a Central shall take when receiving a Security Request.

The Peripheral shall check that any Pairing Request command received from the Central after sending a Security Request command contains Authentication Requirements that meet the requested security properties.

If the Peripheral requests a security property that is not Just Works and receives an encryption procedure request after sending a Security Request command then it shall check that any existing Security Information is of sufficient security properties.

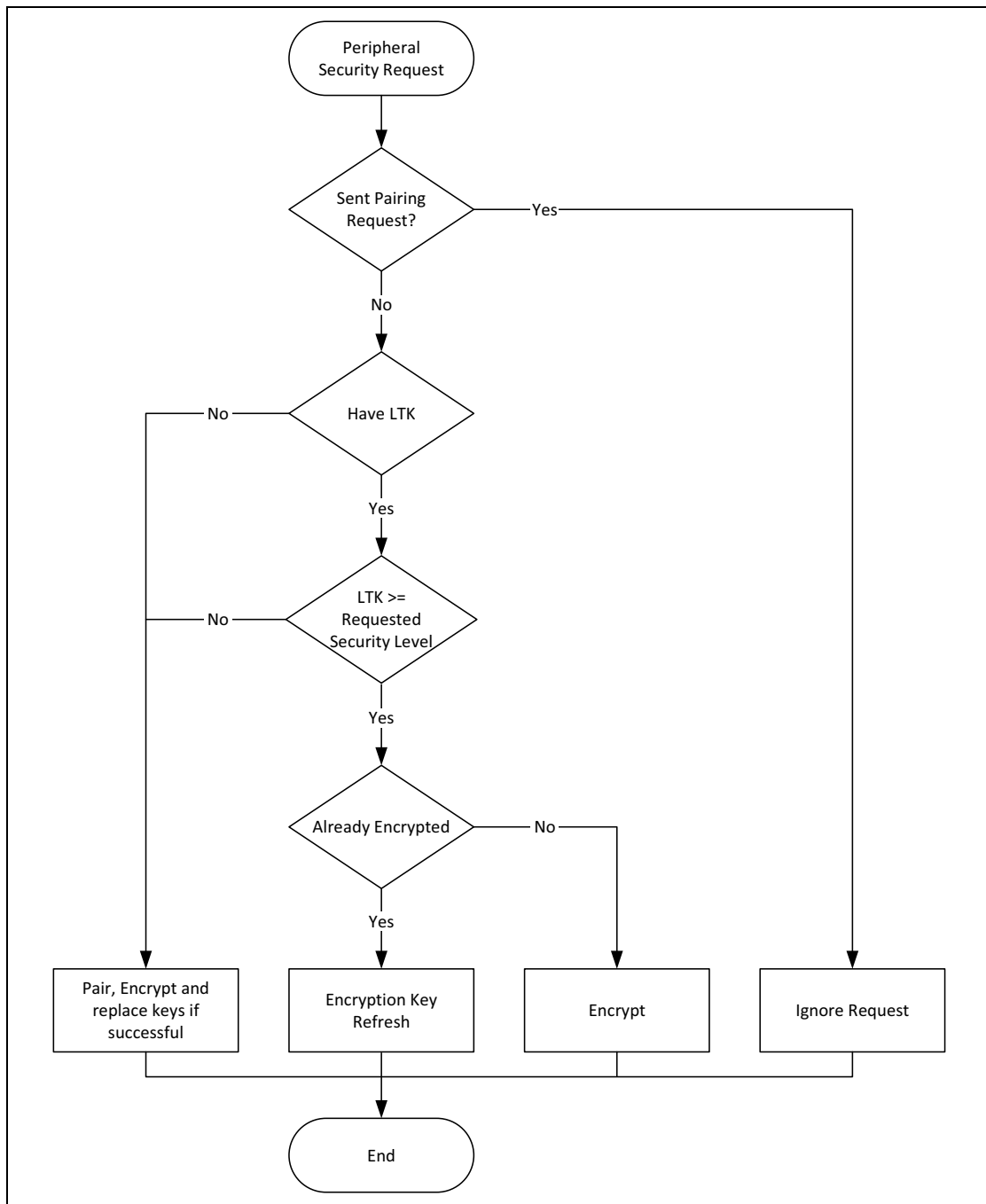


Figure 2.7: Central actions after receiving Security Request command



3 SECURITY MANAGER PROTOCOL

3.1 INTRODUCTION

The Security Manager Protocol (SMP) is used for pairing and transport specific key distribution.

3.2 SECURITY MANAGER CHANNEL OVER L2CAP

All SMP commands are sent over the Security Manager Channel which is an L2CAP fixed channel (see [\[Vol 3\] Part A, Section 2.1](#)). The configuration parameters for the Security Manager Channel when LE Secure Connections is not supported shall be as shown below in [Table 3.1](#).

Parameter	Value
MTU	23
Flush Timeout	0xFFFF (Infinite)
QoS	Best Effort
Mode	Basic Mode

Table 3.1: Security Manager Channel configuration parameters without LE Secure Connections

The configuration parameters for the Security Manager Channel when LE Secure Connections is supported shall be as shown below in [Table 3.2](#).

Parameter	Value
MTU	65
Flush Timeout	0xFFFF (Infinite)
QoS	Best Effort
Mode	Basic Mode

Table 3.2: Security Manager Channel configuration parameters with LE Secure Connections



3.3 COMMAND FORMAT

The general format for all SMP commands is shown in [Figure 3.1](#).

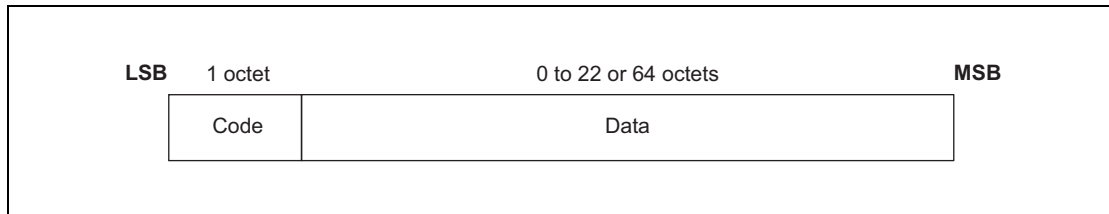


Figure 3.1: SMP command format

The following are the fields shown:

- *Code (1 octet)*

The Code field is one octet long and identifies the type of command. [Table 3.3](#) lists the codes defined by this document. If a packet is received with a Code that is reserved for future use it shall be ignored.

Code	Description	Logical Link Supported
0x01	Pairing Request	LE-U, ACL-U
0x02	Pairing Response	LE-U, ACL-U
0x03	Pairing Confirm	LE-U
0x04	Pairing Random	LE-U
0x05	Pairing Failed	LE-U, ACL-U
0x06	Encryption Information	LE-U
0x07	Central Identification	LE-U
0x08	Identity Information	LE-U, ACL-U
0x09	Identity Address Information	LE-U, ACL-U
0x0A	Signing Information	LE-U, ACL-U
0x0B	Security Request	LE-U
0x0C	Pairing Public Key	LE-U
0x0D	Pairing DHKey Check	LE-U
0x0E	Pairing Keypress Notification	LE-U
All other values	Reserved for future use	

Table 3.3: SMP command codes



- *Data (0 or more octets)*

The Data field is variable in length. The Code field determines the format of the Data field.

If a device does not support pairing then it shall respond with a Pairing Failed command with the reason set to “Pairing Not Supported” (see [Section 3.5.5](#)) when any command is received. If pairing is supported then all commands shall be supported.

3.4 SMP TIMEOUT

To protect the Security Manager protocol from stalling, a Security Manager Timer is used. Upon transmission of the Security Request command or reception of the Security Request command, the Security Manager Timer shall be reset and restarted. Upon transmission of the Pairing Request command or reception of the Pairing Request command, the Security Manager Timer shall be reset and started.

The Security Manager Timer shall be reset when an L2CAP SMP command is queued for transmission. The Security Manager Timer should be reset upon reception of a Keypress Notification (if the timer is not reset on receipt of a Keypress Notification, the Security Manager can time out before the peer's Security Manager because there is no response to a Keypress Notification).

When a Pairing process completes (whether successfully or not), the Security Manager Timer shall be stopped.

If the Security Manager Timer reaches 30 seconds, the procedure shall be considered to have failed, and the local higher layer shall be notified. No further SMP commands shall be sent over the L2CAP Security Manager Channel. A new Pairing process shall only be performed when a new physical link has been established.

3.5 PAIRING METHODS

The SMP commands defined in this section are used to perform Pairing Feature Exchange and key generation (see [Section 2.1](#)).

3.5.1 Pairing Request

The initiator starts the Pairing Feature Exchange by sending a Pairing Request command to the responding device. The Pairing Request command is defined in [Figure 3.2](#).



The rules for handing a collision between a pairing procedure on the LE transport and a pairing procedure on the BR/EDR transport are defined in [Vol 3] Part C, Section 14.2.

LSB	octet 0	octet 1	octet 2	octet 3	MSB
	Code=0x01	IO Capability	OOB data flag	AuthReq	
	Maximum Encryption Key Size	Initiator Key Distribution	Responder Key Distribution		

Figure 3.2: Pairing Request packet

The following data fields are used:

- *IO Capability (1 octet)*

Table 3.4 defines the values which are used when exchanging IO capabilities (see Section 2.3.2).

Value	Description
0x00	DisplayOnly
0x01	DisplayYesNo
0x02	KeyboardOnly
0x03	NoInputNoOutput
0x04	KeyboardDisplay
0x05 to 0xFF	Reserved for future use

Table 3.4: IO capability values

- *OOB data flag (1 octet)*

Table 3.5 defines the values which are used when indicating whether OOB authentication data is available (see Section 2.3.3).

Value	Description
0x00	OOB Authentication data not present
0x01	OOB Authentication data from remote device present
0x02 to 0xFF	Reserved for future use

Table 3.5: OOB data present values

- *AuthReq (1 octet)*

The AuthReq field is a bit field that indicates the requested security properties (see Section 2.3.1) for the STK and LTK and GAP bonding information (see [Vol 3] Part C, Section 9.4).



Figure 3.3 defines the authentication requirements bit field.

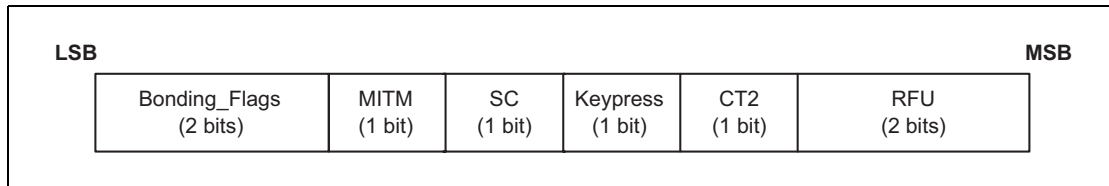


Figure 3.3: Authentication requirements flags

The Bonding_Flags field is a 2-bit field that indicates the type of bonding being requested by the initiating device as defined in Table 3.6.

Bonding_Flags b_1b_0	Bonding Type
00	No Bonding
01	Bonding
10	Reserved for future use
11	Reserved for future use

Table 3.6: Bonding flags

The MITM field is a 1-bit flag that is set to one if the device is requesting MITM protection, otherwise it shall be set to 0. A device sets the MITM flag to one to request an Authenticated security property for the STK when using LE legacy pairing and the LTK when using LE Secure Connections.

The SC field is a 1 bit flag. If LE Secure Connections pairing is supported by the device, then the SC field shall be set to 1, otherwise it shall be set to 0. If both devices support LE Secure Connections pairing, then LE Secure Connections pairing shall be used, otherwise LE Legacy pairing shall be used.

The keypress field is a 1-bit flag that is used only in the Passkey Entry protocol and shall be ignored in other protocols. When both sides set that field to one, Keypress notifications shall be generated and sent using SMP Pairing Keypress Notification PDUs.

The CT2 field is a 1-bit flag that shall be set to 1 upon transmission to indicate support for the *h7* function. See sections 2.4.2.4 and 2.4.2.5.

- *Maximum Encryption Key Size (1 octet)*

This value defines the maximum encryption key size in octets that the device can support. The maximum key size shall be in the range 7 to 16 octets.

- *Initiator Key Distribution / Generation (1 octet)*

The Initiator Key Distribution / Generation field indicates which keys the initiator is requesting to distribute / generate or use during the Transport Specific Key Distribution phase (see Section 2.4.3). The Initiator Key Distribution / Generation field format and usage is defined in Section 3.6.1.



- *Responder Key Distribution / Generation (1 octet)*

The Responder Key Distribution / Generation field indicates which keys the initiator is requesting the responder to distribute / generate or use during the Transport Specific Key Distribution phase (see [Section 2.4.3](#)). The Responder Key Distribution / Generation field format and usage is defined in [Section 3.6.1](#).

If Secure Connections pairing has been initiated over BR/EDR, the following fields of the SM Pairing Request PDU are reserved for future use:

- the IO Capability field,
- the OOB data flag field, and
- all bits in the Auth Req field except the CT2 bit.

3.5.2 Pairing Response

This command is used by the responding device to complete the Pairing Feature Exchange after it has received a Pairing Request command from the initiating device, if the responding device allows pairing. The Pairing Response command is defined in [Figure 3.4](#).

The rules for handing a collision between a pairing procedure on the LE transport and a pairing procedure on the BR/EDR transport are defined in [\[Vol 3\] Part C, Section 14.2](#).

If a Pairing Request is received over the BR/EDR transport when either cross-transport key derivation/generation is not supported or the BR/EDR transport is not encrypted using a Link Key generated using P256, a Pairing Failed shall be sent with the error code *Cross-Transport Key Derivation/Generation Not Allowed* (0x0E).

LSB	octet 0	octet 1	octet 2	octet 3	MSB
	Code=0x02	IO Capability	OOB data flag	AuthReq	
	Maximum Encryption Key Size	Initiator Key Distribution	Responder Key Distribution		

Figure 3.4: Pairing Response packet

The following data fields are used:

- *IO Capability (1 octet)*

[Table 3.4](#) defines the values which are used when exchanging IO capabilities (see [Section 2.3.2](#)).



- *OOB data flag (1 octet)*

[Table 3.5](#) defines the values which are used when indicating whether OOB authentication data is available (see [Section 2.3.3](#)).

- *AuthReq (1 octet)*

The AuthReq field is a bit field that indicates the requested security properties (see [Section 2.3.1](#)) for the STK or LTK and GAP bonding information (see [\[Vol 3\] Part C, Section 9.4](#)).

[Figure 3.3](#) defines the authentication requirements bit field.

The Bonding_Flags field is a 2-bit field that indicates the type of bonding being requested by the responding device as defined in [Table 3.6](#).

The MITM field is a 1-bit flag that is set to one if the device is requesting MITM protection, otherwise it shall be set to 0. A device sets the MITM flag to one to request an Authenticated security property for the STK when using LE legacy pairing and the LTK when using LE Secure Connections.

The SC field is a 1 bit flag. If LE Secure Connections pairing is supported by the device, then the SC field shall be set to 1, otherwise it shall be set to 0. If both devices support LE Secure Connections pairing, then LE Secure Connections pairing shall be used, otherwise LE Legacy pairing shall be used.

The keypress field is a 1-bit flag that is used only in the Passkey Entry protocol and shall be ignored in other protocols. When both sides set that field to one, Keypress notifications shall be generated and sent using SMP Pairing Keypress Notification PDUs.

The CT2 field is a 1-bit flag that shall be set to 1 upon transmission to indicate support for the *h7* function. See [Sections 2.4.2.4](#) and [2.4.2.5](#).

- *Maximum Encryption Key Size (1 octet)*

This value defines the maximum encryption key size in octets that the device can support. The maximum key size shall be in the range 7 to 16 octets.

- *Initiator Key Distribution (1 octet)*

The Initiator Key Distribution field defines which keys the initiator shall distribute and use during the Transport Specific Key Distribution phase (see [Section 2.4.3](#)). The Initiator Key Distribution field format and usage are defined in [Section 3.6.1](#).

- *Responder Key Distribution (1 octet)*

The Responder Key Distribution field defines which keys the responder shall distribute and use during the Transport Specific Key Distribution phase (see [Section 2.4.3](#)). The Responder Key Distribution field format and usage are defined in [Section 3.6.1](#).



If Secure Connections pairing has been initiated over BR/EDR, the following fields of the SM Pairing Response PDU are reserved for future use:

- the IO Capability field,
- the OOB data flag field, and
- all bits in the Auth Req field except the CT2 bit.

3.5.3 Pairing Confirm

This is used following a successful Pairing Feature Exchange to start STK Generation for LE legacy pairing and LTK Generation for LE Secure Connections pairing. The Pairing Confirm command is defined in [Figure 3.5](#).

This command is used by both devices to send the confirm value to the peer device, see [Section 2.3.5.5](#) for LE legacy pairing and [Section 2.3.5.6](#) for LE Secure Connections pairing.

The initiating device starts key generation by sending the Pairing Confirm command to the responding device. If the initiating device wants to abort pairing it can transmit a Pairing Failed command instead.

The responding device sends the Pairing Confirm command after it has received a Pairing Confirm command from the initiating device.

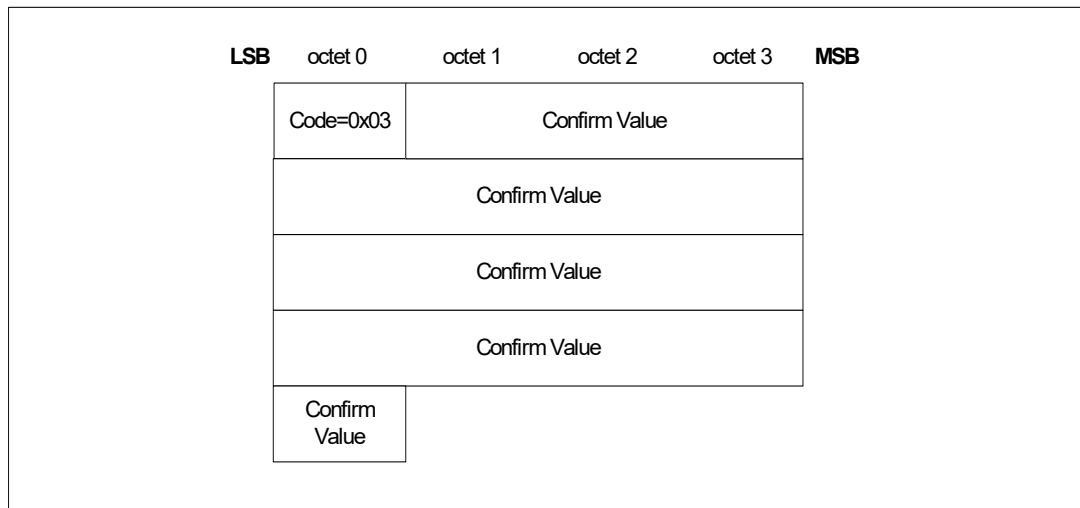


Figure 3.5: Pairing Confirm packet

The following data field is used:

- *Confirm value (16 octets)*
 In LE legacy pairing, the initiating device sends LP_CONFIRM_I and the responding device sends LP_CONFIRM_R as defined in [Section 2.3.5.5](#).
 In LE Secure Connections, Ca and Cb are defined in [Section 2.2.6](#).



3.5.4 Pairing Random

This command is used by the initiating and responding device to send the random number used to calculate the Confirm value sent in the Pairing Confirm command. The Pairing Random command is defined in [Figure 3.6](#).

The initiating device sends a Pairing Random command after it has received a Pairing Confirm command from the responding device.

In LE legacy pairing, the responding device shall send a Pairing Random command after it has received a Pairing Random command from the initiating device if the Confirm value calculated on the responding device matches the Confirm value received from the initiating device. If the calculated Confirm value does not match then the responding device shall respond with the Pairing Failed command.

In LE Secure Connections, the responding device shall send a Pairing Random command after it has received a Pairing Random command from the initiating device. If the calculated Confirm value does not match then the responding device shall respond with the Pairing Failed command.

The initiating device shall encrypt the link using the generated key (STK in LE legacy pairing or LTK in LE Secure Connections) if the Confirm value calculated on the initiating device matches the Confirm value received from the responding device. The successful encryption or re-encryption of the link is the signal to the responding device that key generation has completed successfully. If the calculated Confirm value does not match then the initiating device shall respond with the Pairing Failed command.

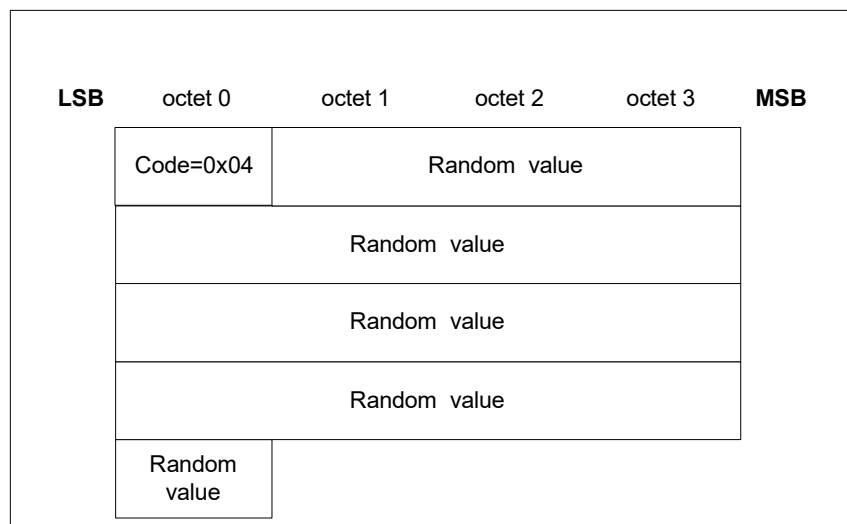


Figure 3.6: Pairing Random packet



The following are the data fields:

- *Random value (16 octets)*

In LE legacy pairing, the initiating device sends LP_RAND_I and the responding device sends LP_RAND_R as defined in [Section 2.3.5.5](#). In LE Secure Connections, the initiating device sends Na and the responding device sends Nb.

3.5.5 Pairing Failed

This is used when there has been a failure during pairing and reports that the pairing procedure has been stopped and no further communication for the current pairing procedure is to occur. The Pairing Failed command is defined in [Figure 3.7](#).

Any subsequent pairing procedure shall restart from the Pairing Feature Exchange phase.

This command may be sent at any time during the pairing process by either device in response to a message from the remote device.

During LE Secure Connections pairing, this command should be sent if the remote device's public key is invalid (see [Section 2.3.5.6.1](#)). The Reason field should be set to "DHKey Check Failed".

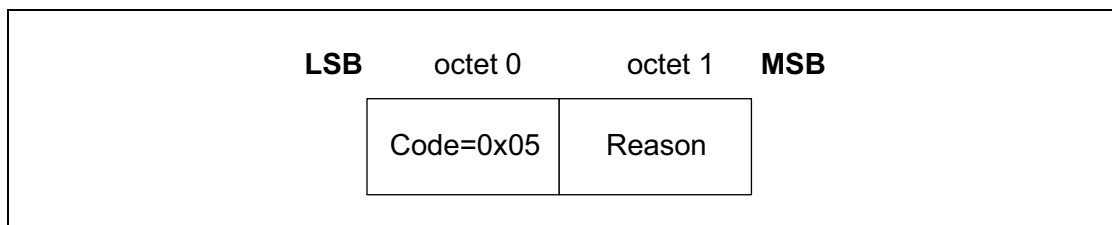


Figure 3.7: Pairing Failed packet

The following data field is used:

- *Reason (1 octets)*

The Reason field indicates why the pairing failed. The reason codes are defined in [Table 3.7](#).

Value	Name	Description
0x01	Passkey Entry Failed	The user input of passkey failed, for example, the user cancelled the operation
0x02	OOB Not Available	The OOB data is not available

Table 3.7: Pairing Failed reason codes



Value	Name	Description
0x03	Authentication Requirements	The pairing procedure cannot be performed as authentication requirements cannot be met due to IO capabilities of one or both devices
0x04	Confirm Value Failed	The confirm value does not match the calculated compare value
0x05	Pairing Not Supported	Pairing is not supported by the device
0x06	Encryption Key Size	The resultant encryption key size is not long enough for the security requirements of this device
0x07	Command Not Supported	The SMP command received is not supported on this device
0x08	Unspecified Reason	Pairing failed due to an unspecified reason
0x09	Repeated Attempts	Pairing or authentication procedure is disallowed because too little time has elapsed since last pairing request or security request
0x0A	Invalid Parameters	The Invalid Parameters error code indicates that the command length is invalid or that a parameter is outside of the specified range.
0x0B	DHKey Check Failed	Indicates to the remote device that the DHKey Check value received doesn't match the one calculated by the local device.
0x0C	Numeric Comparison Failed	Indicates that the confirm values in the numeric comparison protocol do not match.
0x0D	BR/EDR pairing in progress	Indicates that the pairing over the LE transport failed due to a Pairing Request sent over the BR/EDR transport in progress.
0x0E	Cross-transport Key Derivation/Generation not allowed	Indicates that the BR/EDR Link Key generated on the BR/EDR transport cannot be used to derive and distribute keys for the LE transport or the LE LTK generated on the LE transport cannot be used to derive a key for the BR/EDR transport.
0x0F	Key Rejected	Indicates that the device chose not to accept a distributed key.
All other values		Reserved for future use

Table 3.7: Pairing Failed reason codes



3.5.6 Pairing Public Key

This message is used to transfer the device’s local public key (X and Y coordinates) to the remote device. This message is used by both the initiator and responder. This PDU is only used for Secure Connections. Its format is specified in [Figure 3.8](#).

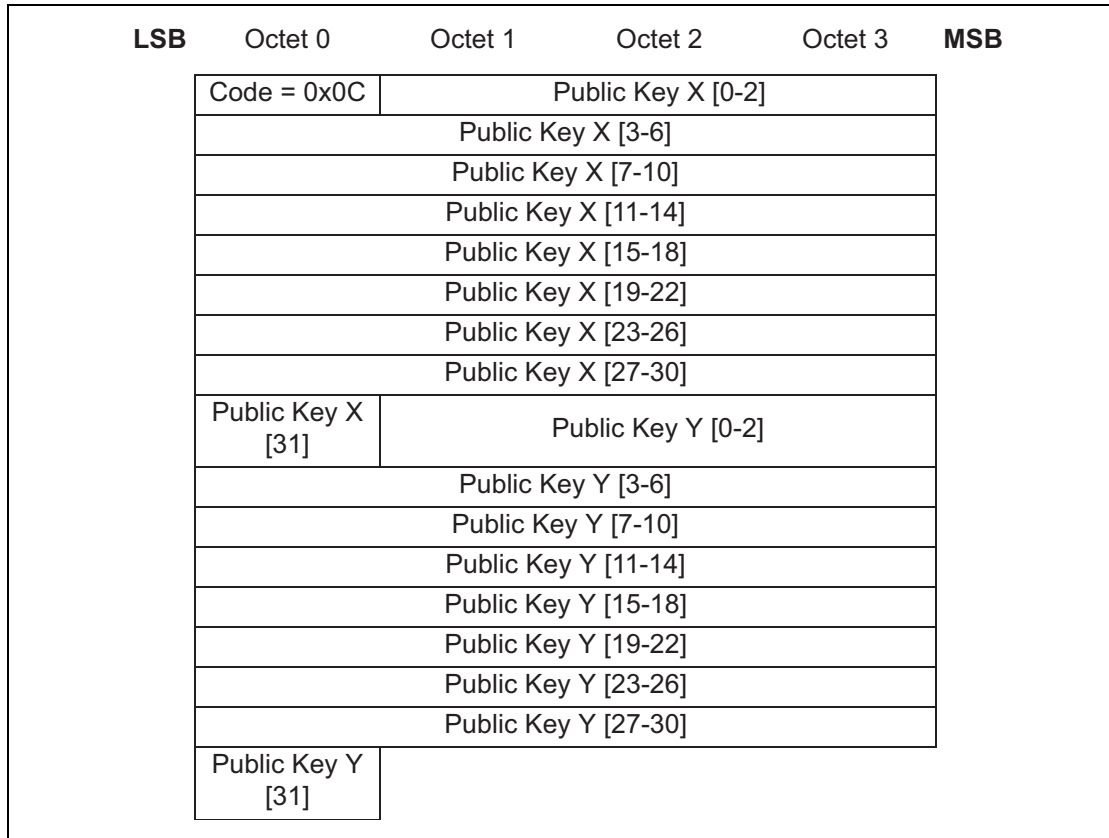


Figure 3.8: Pairing Public Key PDU

3.5.7 Pairing DHKey Check

This message is used to transmit the 128-bit DHKey Check values (Ea/Eb) generated using f6. These are confirmation values generated using the DHKey. This message is used by both initiator and responder. This PDU is only used for LE Secure Connections. Its format is specified in [Figure 3.9](#).

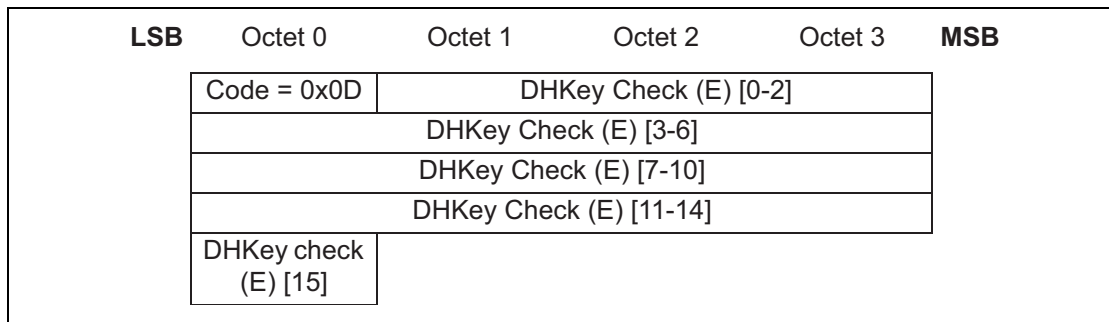


Figure 3.9: Pairing DHKey Check PDU

3.5.8 Keypress Notification

This message is used during the Passkey Entry protocol by a device with KeyboardOnly IO capabilities to inform the remote device when keys have been entered or erased. Its format is specified in [Figure 3.10](#).

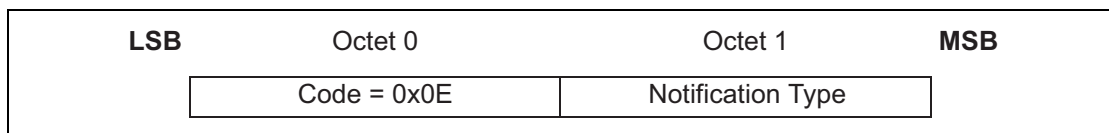


Figure 3.10: Pairing Keypress Notification PDU

Notification Type can take one of the following values:

Value	Parameter Description
0	Passkey entry started
1	Passkey digit entered
2	Passkey digit erased
3	Passkey cleared
4	Passkey entry completed
5 to 255	Reserved for future use

Table 3.8: Notification Type

3.6 SECURITY IN BLUETOOTH LOW ENERGY

3.6.1 Key distribution and generation

Bluetooth Low Energy devices can distribute keys from the Peripheral to the Central and from the Central to the Peripheral. When using LE legacy pairing, the following keys may be distributed from the Peripheral to the Central:

- LTK using Encryption Information command
- EDIV and Rand using Central Identification command



- IRK using Identity Information command
- Public device or static random address using Identity Address Information command
- CSRK using Signing Information command

When using LE Secure Connections, the following keys may be distributed from the Peripheral to the Central:

- IRK using Identity Information command
- Public device or static random address using Identity Address Information command
- CSRK using Signing Information command

When using LE legacy pairing, the Central may distribute to the Peripheral the following key:

- LTK using Encryption Information command
- EDIV and Rand using Central Identification command
- IRK using Identity Information command
- Public device or static random address using Identity Address Information command
- CSRK using Signing Information command

When using LE Secure Connections, the Central may distribute to the Peripheral the following key:

- IRK using Identity Information command
- Public device or static random address using Identity Address Information command
- CSRK using Signing Information command

The keys which are to be distributed in the Transport Specific Key Distribution phase are indicated in the Key Distribution field of the Pairing Request and Pairing Response commands see [Section 3.5.1](#) and [Section 3.5.2](#).

The format of the Initiator Key Distribution / Generation field and Responder Key Distribution / Generation field in the Pairing Request and Pairing Response commands for LE is defined in [Figure 3.11](#).

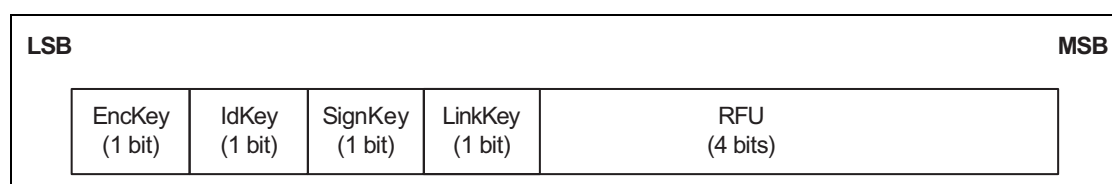


Figure 3.11: LE Key Distribution format



The Key Distribution / Generation field has the following flags:

- In LE legacy pairing, EncKey is a 1-bit field that is set to one to indicate that the device shall distribute LTK using the Encryption Information command followed by EDIV and Rand using the Central Identification command.
In LE Secure Connections pairing, when SMP is running on the LE transport, then the EncKey field shall be ignored. EDIV and Rand shall be set to zero and shall not be distributed.
When SMP is running on the BR/EDR transport, the EncKey field is set to one to indicate that the device would like to derive the LTK from the BR/EDR Link Key. When EncKey is set to 1 by both devices in the initiator and responder Key Distribution / Generation fields, the procedures for calculating the LTK from the BR/EDR Link Key shall be used.
- IdKey is a 1-bit field that is set to one to indicate that the device shall distribute IRK using the Identity Information command followed by its public device or static random address using Identity Address Information.
- SignKey is a 1-bit field that is set to one to indicate that the device shall distribute CSRK using the Signing Information command.
- LinkKey is a 1-bit field. When SMP is running on the LE transport, the LinkKey field is set to one to indicate that the device would like to derive the Link Key from the LTK. When LinkKey is set to 1 by both devices in the initiator and responder Key Distribution / Generation fields, the procedures for calculating the BR/EDR link key from the LTK shall be used. Devices not supporting LE Secure Connections shall set this bit to zero and ignore it on reception. When SMP is running on the BR/EDR transport, the LinkKey field is reserved for future use.

The Initiator Key Distribution / Generation field in the Pairing Request command is used by the Central to request which keys are distributed or generated by the initiator to the responder. The Responder Key Distribution / Generation field in the Pairing Request command is used by the Central to request which keys are distributed or generated by the responder to the initiator. The Initiator Key Distribution / Generation field in the Pairing Response command from the Peripheral defines the keys that shall be distributed or generated by the initiator to the responder. The Responder Key Distribution / Generation field in the Pairing Response command from the Peripheral defines the keys that shall be distributed or generated by the responder to the initiator. The Peripheral shall not set to one any flag in the Initiator Key Distribution / Generation or Responder Key Distribution / Generation field of the Pairing Response command that the Central has set to zero in the Initiator Key Distribution / Generation and Responder Key Distribution / Generation fields of the Pairing Request command.



When using LE legacy pairing, the keys shall be distributed in the following order:

1. LTK by the Peripheral
2. EDIV and Rand by the Peripheral
3. IRK by the Peripheral
4. BD_ADDR by the Peripheral
5. CSRK by the Peripheral
6. LTK by the Central
7. EDIV and Rand by the Central
8. IRK by the Central
9. BD_ADDR by the Central
10. CSRK by the Central

When using LE Secure Connections, the keys shall be distributed in the following order:

1. IRK by the Peripheral
2. BD_ADDR by the Peripheral
3. CSRK by the Peripheral
4. IRK by the Central
5. BD_ADDR by the Central
6. CSRK by the Central

If a key is not being distributed then the command to distribute that key shall not be sent.

Note: If a key is not distributed, then the capabilities that use this key will not be available. For example, if an LTK is not distributed from the Peripheral to the Central, then the Central cannot encrypt a future link with that Peripheral, therefore pairing would have to be performed again.

Note: The initiator should determine the keys needed based on the capabilities that are required by higher layer specifications. For example, if the initiator determines that encryption is required in a future link with that Peripheral, then the initiator must request that Peripheral's LTK is distributed by setting the EncKey bit to one in the Responder Key Distribution / Generation field of the Pairing Request command.

A device may reject a distributed key by sending the Pairing Failed command with the reason set to "Key Rejected".

If EncKey, IdKey, and SignKey are set to zero in the Initiator Key Distribution / Generation and Responder Key Distribution / Generation fields, then no keys shall be distributed or generated and the link will be encrypted using the



generated STK when using LE legacy pairing and LTK when using LE Secure Connections pairing.

Key distribution is complete in the device sending the final key when it receives the Baseband acknowledgment for that key and is complete in the receiving device when it receives the final key being distributed.

3.6.2 Encryption Information

Encryption Information is used in the LE legacy pairing Transport Specific Key Distribution to distribute LTK that is used when encrypting future connections. The Encryption Information command is defined in [Figure 3.12](#).

The Encryption Information command shall only be sent when the link has been encrypted or re-encrypted using the generated STK.

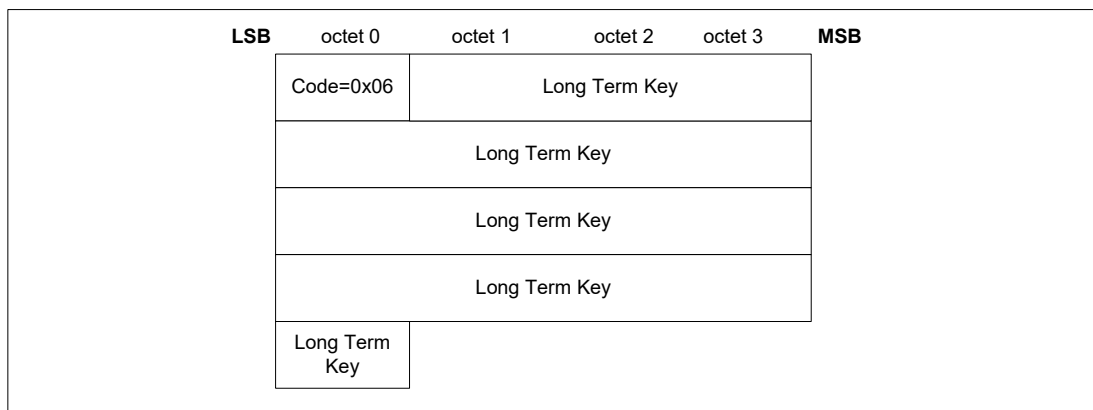


Figure 3.12: Encryption Information packet

The following is the data field:

- *Long Term Key (16 octets)*
The generated LTK value being distributed, see [Section 2.4.2.3](#).

3.6.3 Central Identification

Central Identification is used in the LE legacy pairing Transport Specific Key Distribution phase to distribute EDIV and Rand which are used when encrypting future connections. The Central Identification command is defined in [Figure 3.13](#).



The Central Identification command shall only be sent when the link has been encrypted or re-encrypted using the generated STK.

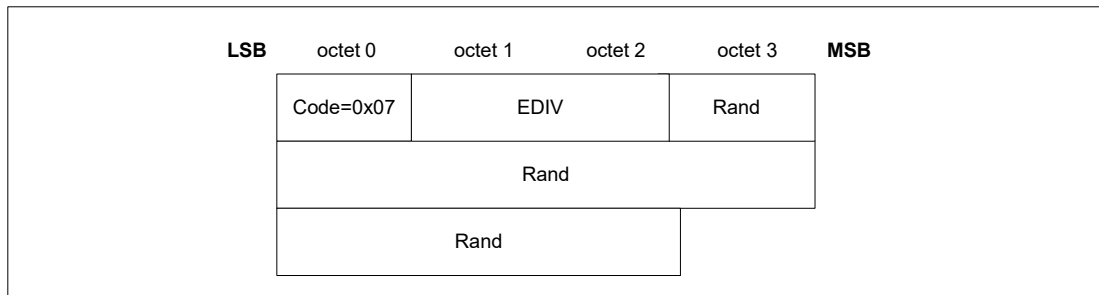


Figure 3.13: Central Identification packet

The following data fields are used:

- *EDIV (2 octets)*
The EDIV value being distributed (see [Section 2.4.2.3](#)).
- *Rand (8 octets)*
64-bit Rand value being distributed (see [Section 2.4.2.3](#)).

3.6.4 Identity Information

Identity Information is used in the Transport Specific Key Distribution phase to distribute the IRK. The Identity Information command is defined in [Figure 3.14](#).

The Identity Information command shall only be sent when the link has been encrypted or re-encrypted using the generated key.

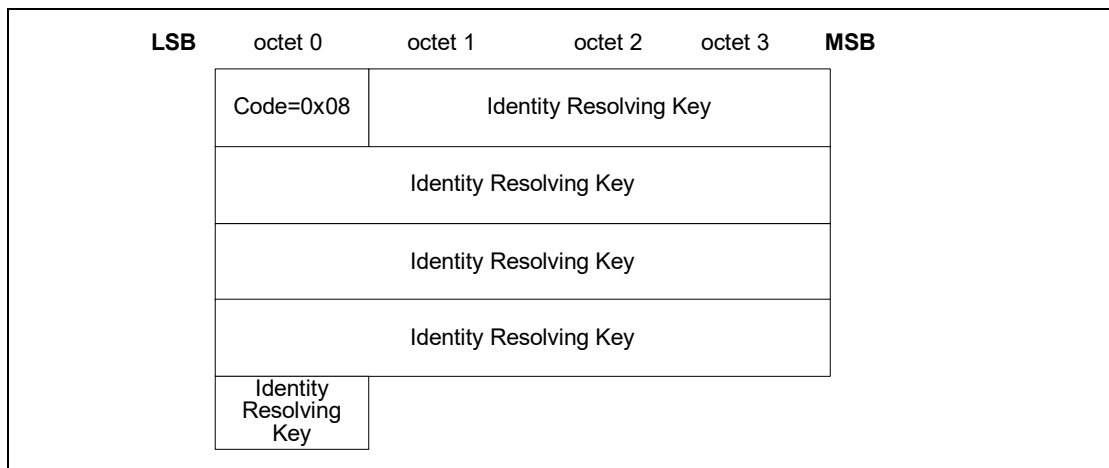


Figure 3.14: Identity Information packet



The following are the data fields:

- *Identity Resolving Key (16 octets)*
128-bit IRK value being distributed (see [Section 2.4.2.1](#)).

Note: An all zero Identity Resolving Key data field indicates that a device does not have a valid resolvable private address.

3.6.5 Identity Address Information

Identity Address Information is used in the Transport Specific Key Distribution phase to distribute its public device address or static random address. The Identity Address Information command is defined in [Figure 3.15](#).

The Identity Address Information command shall only be sent when the link has been encrypted or re-encrypted using the generated key.

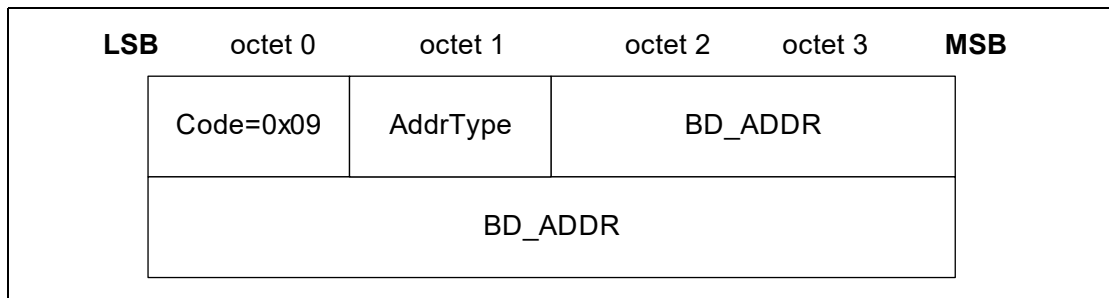


Figure 3.15: Identity Address Information packet

The data fields are:

- *AddrType (1 octet)*
If BD_ADDR is a public device address, then AddrType shall be set to 0x00. If BD_ADDR is a static random device address then AddrType shall be set to 0x01.
- *BD_ADDR (6 octets)*
This field is set to the distributing device’s public device address or static random address.

3.6.6 Signing Information

Signing Information is used in the Transport Specific Key Distribution to distribute the CSRK which a device uses to sign data. The Signing Information command is defined in [Figure 3.16](#).



The Signing Information command shall only be sent when the link has been encrypted or re-encrypted using the generated key.

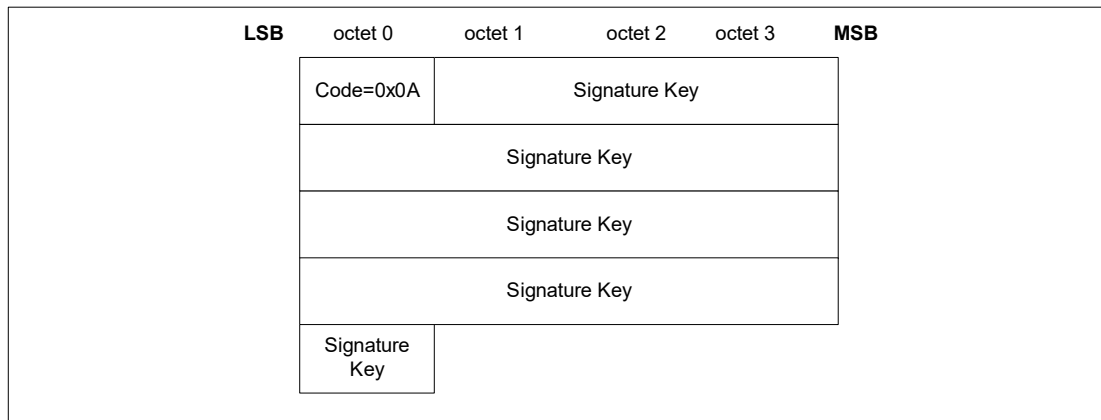


Figure 3.16: Signing Information packet

The following data field is used:

- *Signature Key (16 octets)*
128-bit CSRK that is being distributed; see [Section 2.4.2.2](#).

3.6.7 Security Request

The Security Request command is used by the Peripheral to request that the Central initiates security with the requested security properties, see [Section 2.4.6](#). The Security Request command is defined in [Figure 3.17](#).

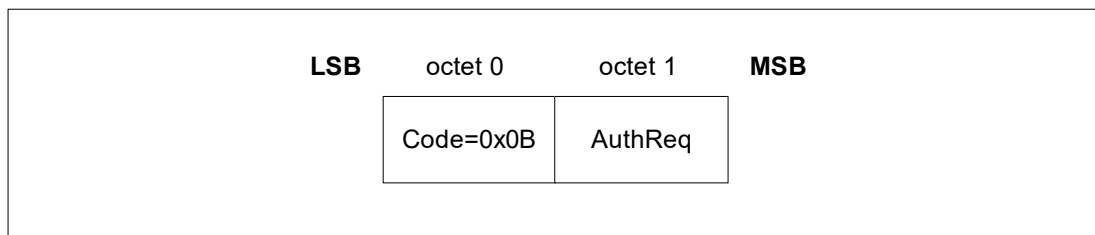


Figure 3.17: Security Request packet

The following data field is used:

- *AuthReq (1 octet)*
The AuthReq field is a bit field that indicates the requested security properties (see [Section 2.3.1](#)) for the STK or LTK and GAP bonding information (see [\[Vol 3\] Part C, Section 9.4](#)).

[Figure 3.3](#) defines the authentication requirements bit field.

The Bonding_Flags field is a 2-bit field that indicates the type of bonding being requested by the responding device as defined in [Table 3.6](#).



The MITM field is a 1-bit flag that is set to one if the device is requesting MITM protection, otherwise it shall be set to 0. A device sets the MITM flag to one to request an Authenticated security property for the STK when using LE legacy pairing and the LTK when using LE Secure Connections.

The SC field is a 1 bit flag. If LE Secure Connections pairing is supported by the device, then the SC field shall be set to 1, otherwise it shall be set to 0. If both devices support LE Secure Connections pairing, then LE Secure Connections pairing shall be used, otherwise LE Legacy pairing shall be used.

The keypress field is a 1-bit flag that is used only in the Passkey Entry protocol and shall be ignored in other protocols. When both sides set that field to one, Keypress notifications shall be generated and sent using SMP Pairing Keypress Notification PDUs.



4 REFERENCES

- [1] NIST Special Publication 800-38B:
<http://dx.doi.org/10.6028/NIST.SP.800-38B>



APPENDIX A EDIV AND RAND GENERATION

EDIV and Rand are used by the responding device to identify an initiator and recover LTK. This section provides an example of how the distributed EDIV value is a masked version of the real value (DIV) which is used to recover LTK. Other methods can be used that provide equal or higher levels of confidentiality for DIV.

A.1 EDIV MASKING

The masking process uses a Diversifier Hiding Key (DHK) which is a 128-bit key that is never distributed.

DHK can be assigned, randomly generated by the device during manufacturing, part of a key hierarchy (see [Appendix B, Section B.2.3](#)) or some other method could be used, that results in DHK having 128 bits of entropy. If DHK is randomly generated then the requirements for random generation defined in [\[Vol 2\] Part H, Section 2](#) shall be used.

If DHK is changed then DIV values cannot be recovered from previously distributed EDIV values.

[Section A.1.1](#) defines a cryptographic function that is used by the responding device when generating EDIV and recovering DIV.

[Section A.1.2](#) describes how a responding device generates an EDIV value to be distributed to an initiating device and [Section A.1.3](#) describes how the responding device recovers DIV from a distributed EDIV value.

A.1.1 DIV mask generation function *dm*

DIV is masked before distribution and unmasked during the encryption session setup using the output of the DIV mask generation function *dm*.

The following are inputs to the DIV mask generation function *dm*:

k is 128 bits

r is 64 bits

padding is 64 bits

r is concatenated with *padding* to generate *r'* which is used as the 128-bit input parameter *plaintextData* to security function *e*:

$$r' = \text{padding} || r$$

The least significant octet of *r* becomes the least significant octet of *r'* and the most significant octet of *padding* becomes the most significant octet of *r'*.



For example, if the 64-bit value r is 0x123456789ABCDEF0 then r' is 0x0000000000000000123456789ABCDEF0.

The output of the DIV mask generation function dm is

$$dm(k, r) = e(k, r') \bmod 2^{16}$$

The output of the security function e is then truncated to 16 bits by taking the least significant 16 bits of the output of e as the result of dm .

A.1.2 EDIV generation

The responding device generates a 64-bit random value, $Rand$. The $Rand$ value is used to generate 16-bit Y using the DIV mask generation function dm with the input parameter k set to DHK and the input parameter r set to $Rand$.

$$Y = dm(DHK, Rand)$$

The responding device then masks the DIV value to be distributed by bitwise XORing it with Y to generate EDIV.

$$EDIV = Y \text{ xor } DIV$$

EDIV and $Rand$ are distributed to an initiating device during the transport specific key distribution phase using the Central Identification command.

A.1.3 DIV recovery

When the responding device receives a request to encrypt a session it calculates Y using the DIV mask generation function dm with the input parameter k set to DHK and the input parameter r set to $Rand$. The Y value is bitwise XORed with $EDIV$ from the initiator to recover DIV.

$$DIV = Y \text{ xor } EDIV$$

The recovered DIV value can then be used to recover LTK which is used to enable encryption on the link.

APPENDIX B KEY MANAGEMENT

The security provided by different methods can vary and care should be taken to ensure that a chosen method is suitable for a device's requirements.

[Section B.1](#) uses a database for managing the keys. [Section B.2](#) uses a key hierarchy to manage the keys.

B.1 DATABASE LOOKUP

The LTK which is distributed is a 128-bit random number which is stored in a database, using EDIV as an index. There is no direct relationship between LTK and EDIV.

The requirements for random generation defined in [\[Vol 2\] Part H, Section 2](#) shall be used when generating LTK. This method provides an LTK with 128 bits of entropy.

CSRK, IRK, and other keys shall also be stored in the database. There is no relationship between the keys stored in the database or distributed LTKs, EDIVs, or Rands.

If the example EDIV and Rand generation method described in [Appendix A, Section A.1](#) is used then the database shall be used to store DHK. DIV should be used as the index to recover LTK.

B.2 KEY HIERARCHY

A key hierarchy can be used to generate the keys.

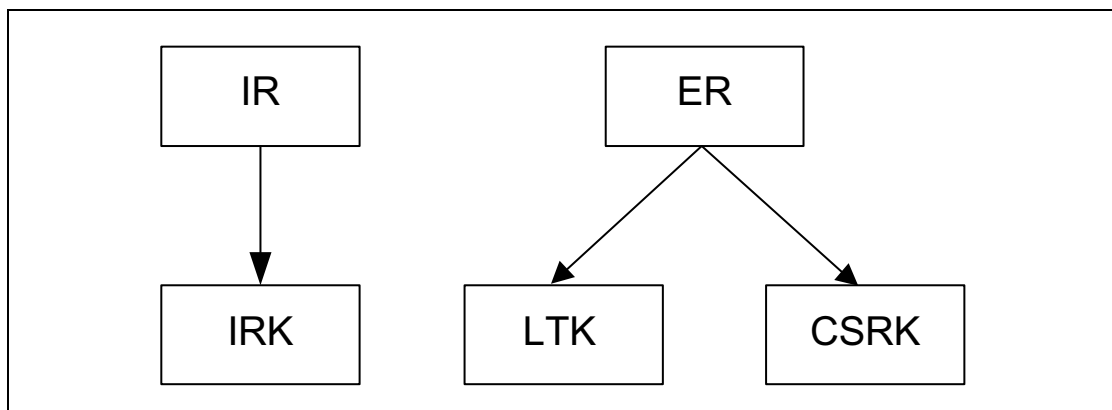


Figure B.1: Example key hierarchy



Figure B.1 is an example key hierarchy where LTK and CSRK are generated from a common ER key, and IRK is generated from a common IR key.

1. ER is a 128-bit key generated for each LE device that supports encrypted connections. It is used to generate LTK using EDIV; see Section B.2.2.
2. IR is a 128-bit key generated for each LE device that supports encrypted connections, uses random addresses or signing data. IR is used to generate IRK and CSRK, see Section B.2.3. It can also be used to generate DHK; see Appendix A.

New LTK, EDIV, Rand, and CSRK values shall be generated each time they are distributed. If ER is changed then any previously distributed LTK or CSRK keys will no longer be valid.

The distributed IRK shall be the same for all devices it is distributed to. If IR is changed then any previously distributed IRK keys will no longer be valid.

The distributing device only needs to store IR and ER. LTK, IRK, and CSRK can be regenerated when they are required. This reduces the storage requirements on the distributing device.

Section B.2.1 defines an example of the key diversifying function which can be used to generate LTK, IRK, CSRK, and other keys. Other implementations of this function can be used depending upon the exact security requirements of the device.

The NIST Special Publication 800-108 (<http://csrc.nist.gov/publications/PubsSPs.html>) defines key derivation functions which could be used instead of the example diversifying function $d1$.

B.2.1 Diversifying function $d1$

Diversified keys are generated with function $d1$. The diversifying function $d1$ makes use of the security function e .

The following are inputs to diversifying function $d1$:

k is 128 bits

d is 16 bits

r is 16 bits

padding is 96 bits

d is concatenated with r and *padding* to generate d' , which is used as the 128-bit input parameter *plaintextData* to security function e :

$$d' = \text{padding} || r || d$$

The least significant octet of d becomes the least significant octet of d' and the most significant octet of *padding* becomes the most significant octet of d' .



For example, if the 16-bit value d is 0x1234 and the 16-bit value r is 0xABCD, then d' is 0x0000000000000000000000000000ABCD1234.

The output diversifying function $d1$ is:

$$d1(k, d, r) = e(k, d')$$

The 128-bit output of the security function e is used as the result of diversifying function $d1$.

B.2.2 Generating keys from ER

ER is used to generate LTK and CSRK. ER can be assigned, randomly generated by the device during manufacturing or some other method could be used, that results in ER having 128 bits of entropy. If ER is randomly generated then the requirements for random generation defined in [\[Vol 2\] Part H, Section 2](#) shall be used.

The EDIV and Rand generation method described in [Appendix A](#) shall be used. LTK is the result of the diversifying function $d1$ with the ER as the input parameter k , the DIV as the input parameter d , and the value 0 as the input parameter r ; see [Section B.2.1](#).

$$\text{LTK} = d1(\text{ER}, \text{DIV}, 0)$$

LTK can be recovered from ER and DIV by repeating the calculation when LTK is required.

CSRK is the result of the diversifying function $d1$ with the ER as the input parameter k , the DIV as the input parameter d , and the value 1 as the input parameter r ; see [Section B.2.1](#).

$$\text{CSRK} = d1(\text{ER}, \text{DIV}, 1)$$

CSRK can be recovered from ER and DIV by repeating the calculation when CSRK is required.

This method provides an LTK and CSRK with limited amount of entropy because LTK and CSRK are directly related to EDIV and may be less secure than other generation methods.

To reduce the probability of the same LTK or CSRK value being generated, the DIV values must be unique for each CSRK, LTK, EDIV, and Rand set that is distributed.

A method for preventing a malicious device from repeatedly pairing and collecting CSRK, LTK and DIV information, which could be used in a known plain text attack in ER, should be implemented.

Note: The generation of LTK using ER is only applicable when doing LE Legacy Pairing. The generation of CSRK using ER is applicable both when doing LE Legacy Pairing and LE Secure Connections Pairing.



B.2.3 Generating keys from IR

IR can be used to generate IRK and other required keys. IR can be assigned, randomly generated by the device during manufacturing or some other method could be used, that results in IR having 128 bits of entropy. If IR is randomly generated then the requirements for random generation defined in [\[Vol 2\] Part H, Section 2](#) shall be used.

IRK is the result of the diversifying function $d1$ with IR as the input parameter k and the value 1 as the input parameter d and the value 0 as the input parameter r ; see [Section B.2.1](#).

$$\text{IRK} = d1(\text{IR}, 1, 0)$$

If the example EDIV and Rand generation method described in [Appendix A, Section A.1](#) is used then DHK can be the result of diversifying function $d1$ with IR as the input parameter k and the value 3 as the input parameter d and the value 0 as the input parameter r .

$$\text{DHK} = d1(\text{IR}, 3, 0)$$

Other keys can be generated by using different values for k as the input to the diversifying function $d1$. If the value of k is reused for a given IR then the resulting key will be the same.

Note: The generation of DHK using IR is only applicable when doing LE Legacy Pairing. The generation of IRK using IR is applicable both when doing LE Legacy Pairing and LE Secure Connections Pairing.

APPENDIX C MESSAGE SEQUENCE CHARTS

This appendix illustrates only the most common scenarios; it does not cover all possible alternatives. Furthermore, the message sequence charts do not consider errors over the air interface or Host interface. If any of these charts differ with text elsewhere in this Part, then that text overrides these charts.

A flow diagram of pairing is shown in [Figure C.1](#). The process has 4 steps. Step 2 has a number of different options.

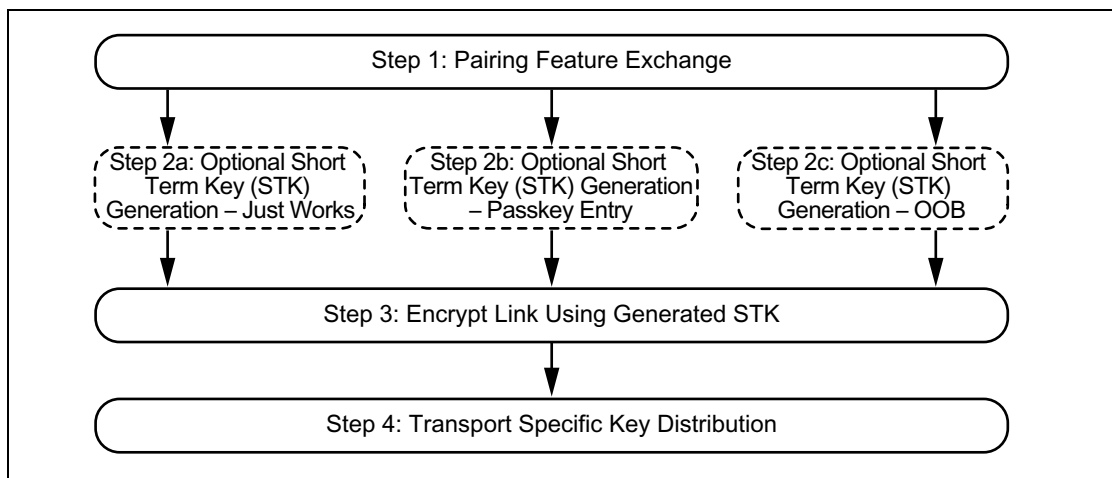


Figure C.1: Pairing process overview

Note: In all the MSCs, the Central is also the Initiating Device and the Peripheral is also the Responding (non-Initiating) Device.

C.1 PHASE 1: PAIRING FEATURE EXCHANGE

The Central initiates the pairing procedure using Pairing Request command as shown in [Figure C.2](#).

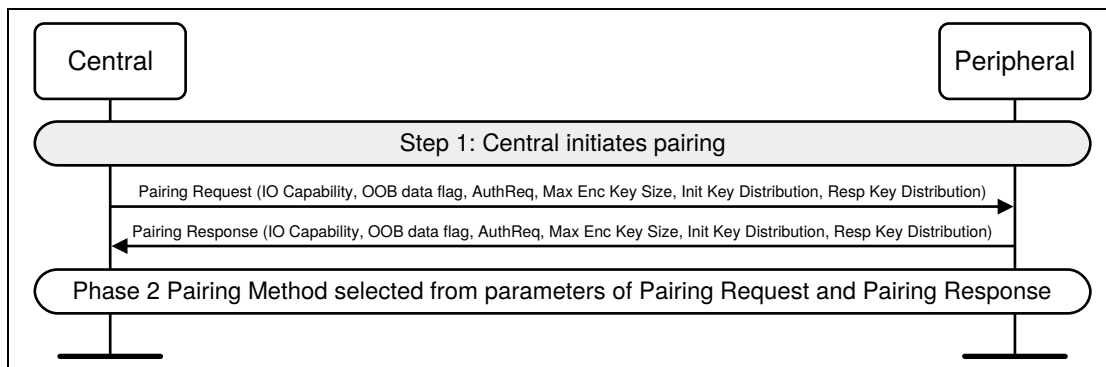


Figure C.2: Pairing initiated by Central



C.1.1 Peripheral security request – Central requests pairing

The Peripheral may request the Central initiates security procedures. [Figure C.3](#) shows an example where the Peripheral requests security and the Central initiates pairing in response.

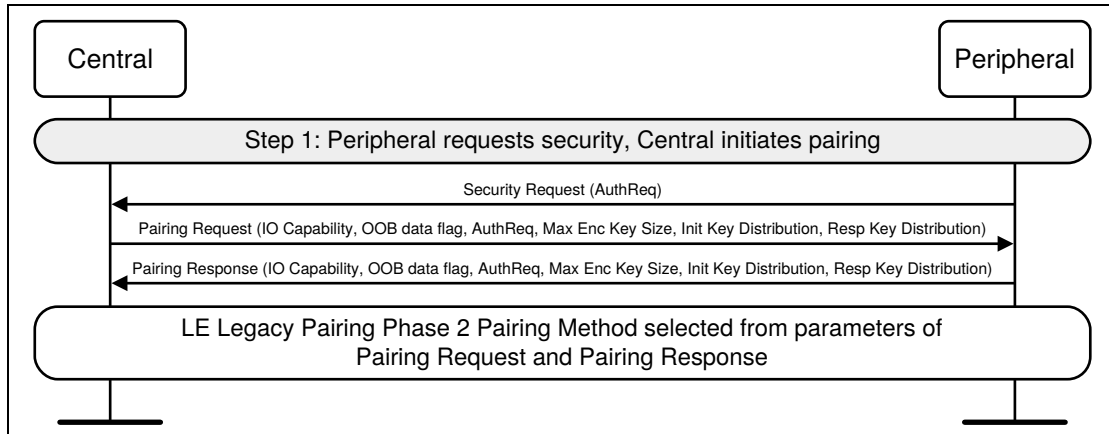


Figure C.3: Peripheral security request, Central initiated pairing

C.2 PHASE 2: AUTHENTICATING AND ENCRYPTING

After Pairing Feature Exchange has completed a pairing method is selected one of the possible short term key generation sequences are used. This can be Just Works, Passkey Entry or Out of Band pairing method.

C.2.1 LE legacy pairing

The following sub-sections include message sequence charts for LE legacy pairing.



C.2.1.1 Legacy Phase 2: Short Term Key generation – Just Works

After Pairing Feature Exchange has completed a pairing method is selected. Figure C.4 shows the Just Works pairing method.

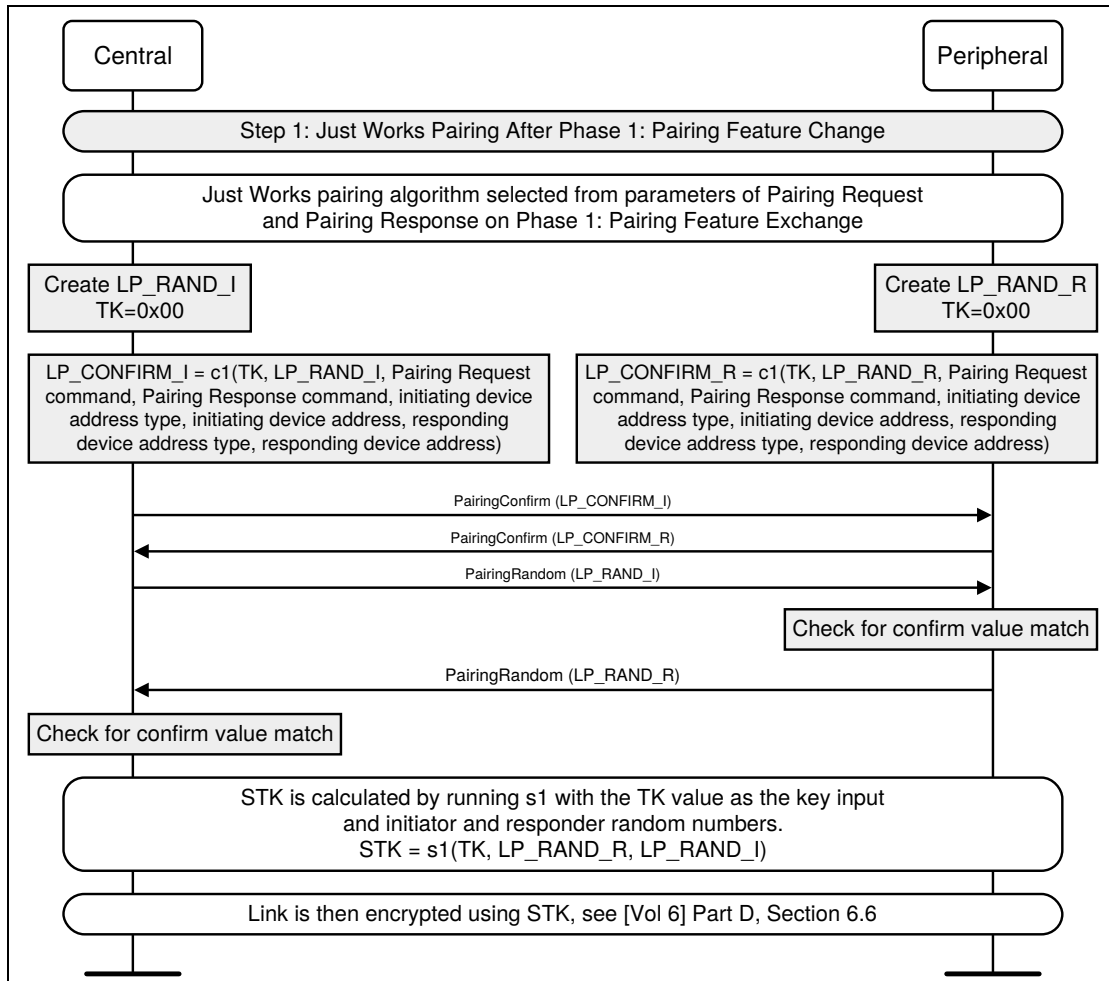


Figure C.4: Legacy Just Works pairing method



C.2.1.2 Legacy Phase 2: Short Term Key generation – Passkey Entry

After Pairing Feature Exchange has completed, a pairing method is selected. Figure C.5 shows the Passkey Entry pairing method.

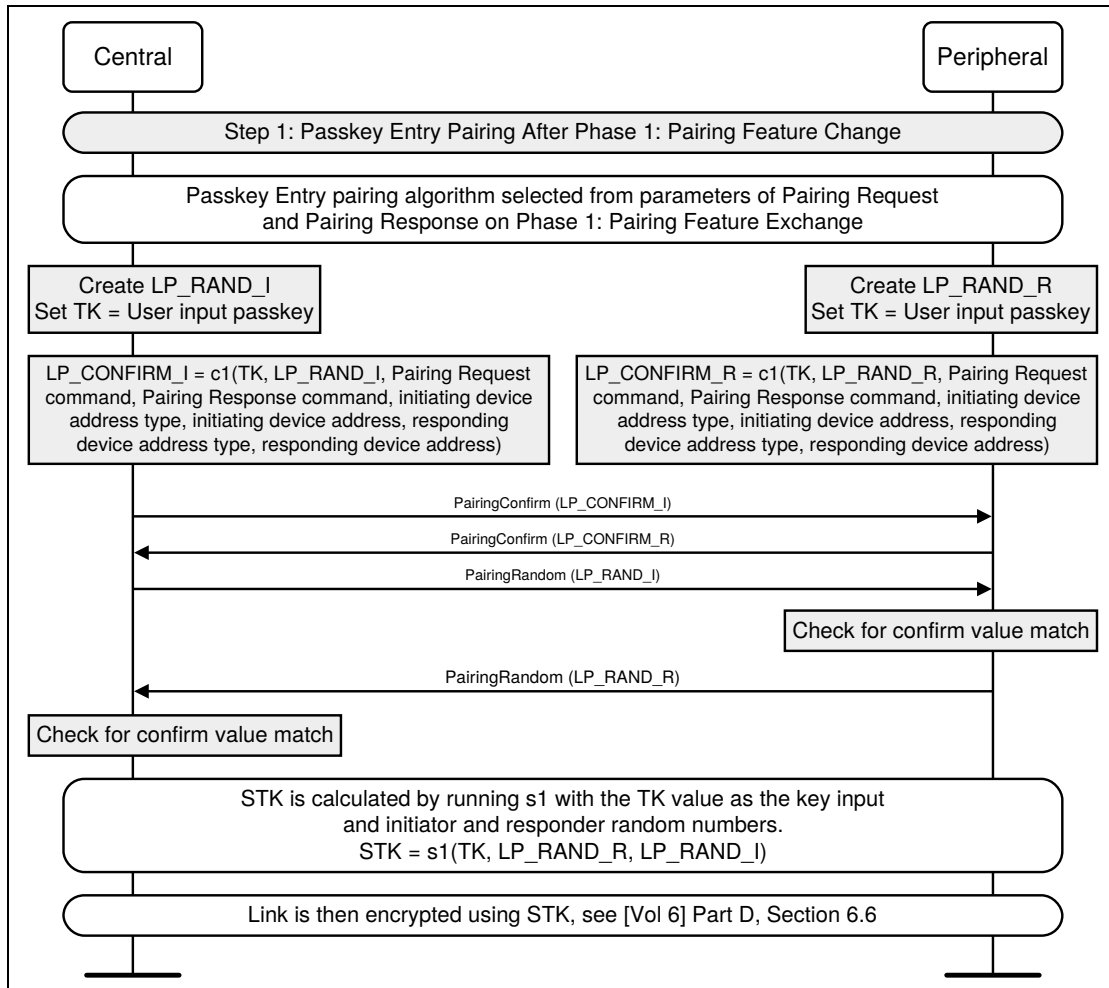


Figure C.5: Legacy Passkey Entry pairing method



C.2.1.3 Legacy Phase 2: Short Term Key generation – Out of Band

After Pairing Feature Exchange has completed, a pairing method is selected. Figure C.6 shows the Out of Band pairing method.

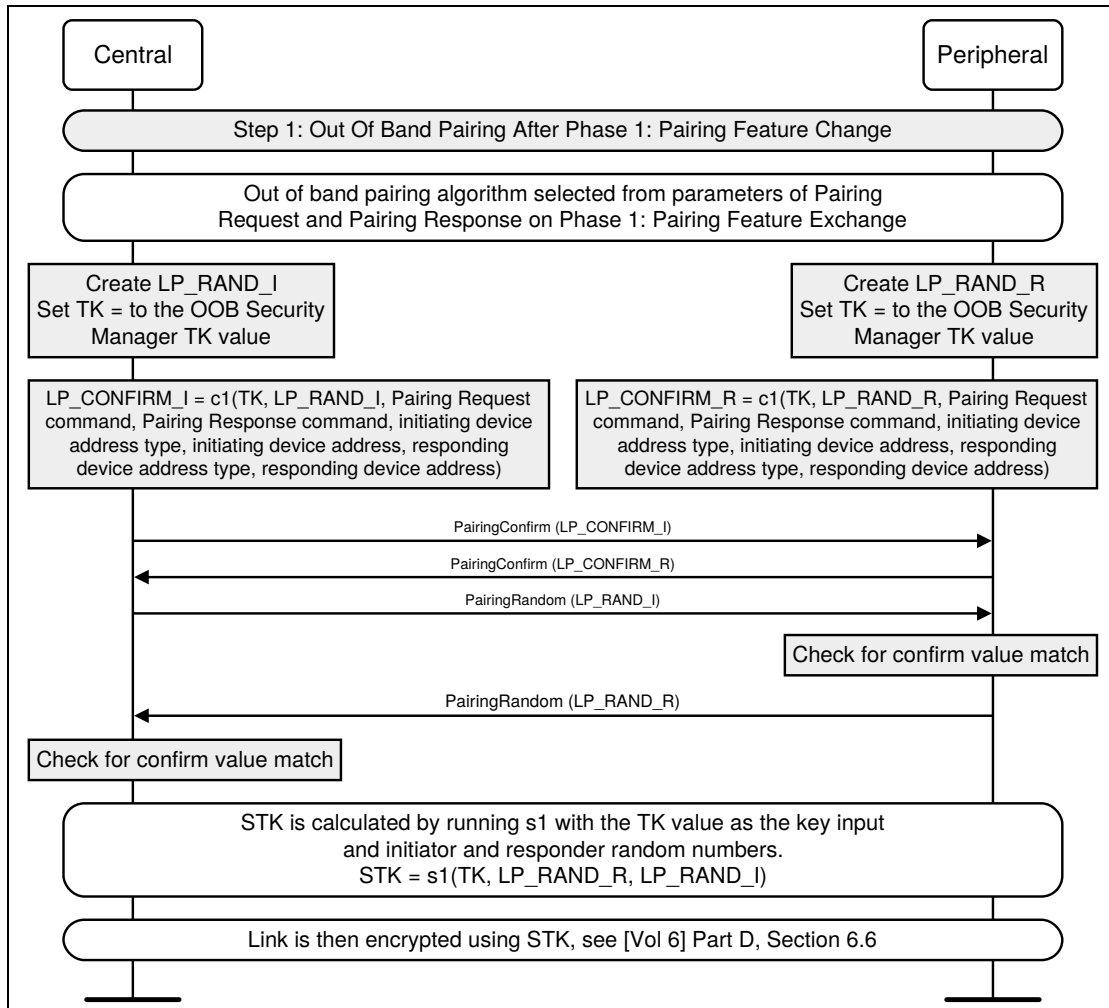


Figure C.6: Legacy OOB pairing method



C.2.2 LE Secure Connections

The following sub-sections include message sequence charts for LE Secure Connections.

C.2.2.1 Public key exchange

In Step 1a and 1b, the two devices exchange public keys. The Central sends its public key to the Peripheral followed by Peripheral sending its public key to the Central.

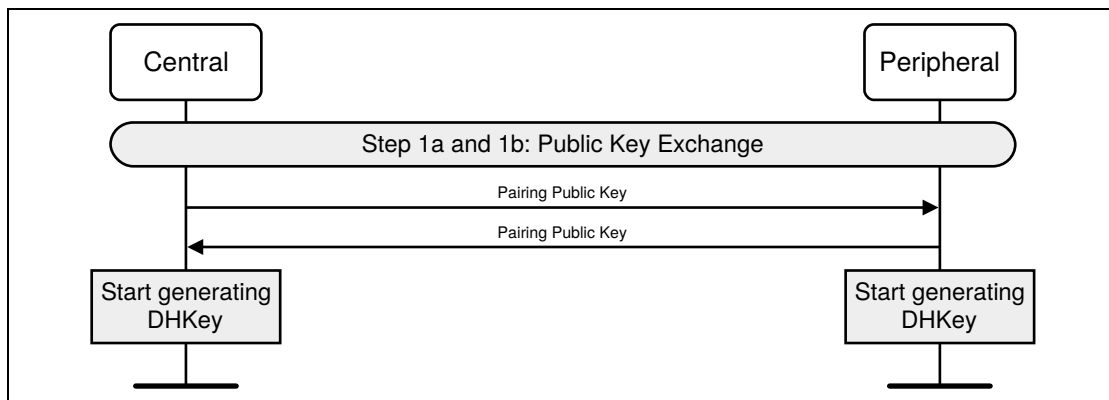


Figure C.7: Pairing Phase 2 – Public Key Exchange

C.2.2.2 Authentication stage 1

The following sub-sections include message sequence charts for the success and failure cases in each association model.

C.2.2.2.1 Successful Numeric Comparison (or Just Works)

The numeric comparison step will be done when both devices have output capabilities, or if one of the devices has no input or output capabilities. If both devices have output capabilities, this step requires the displaying of a user confirmation value. This value should be displayed until the end of step 2. If one or both devices do not have output capabilities, the same protocol is used but the Hosts will skip the step asking for the user confirmation.



Note: The sequence for Just Works is identical to that of Numeric Comparison with the exception that the Host will not show the numbers to the user.

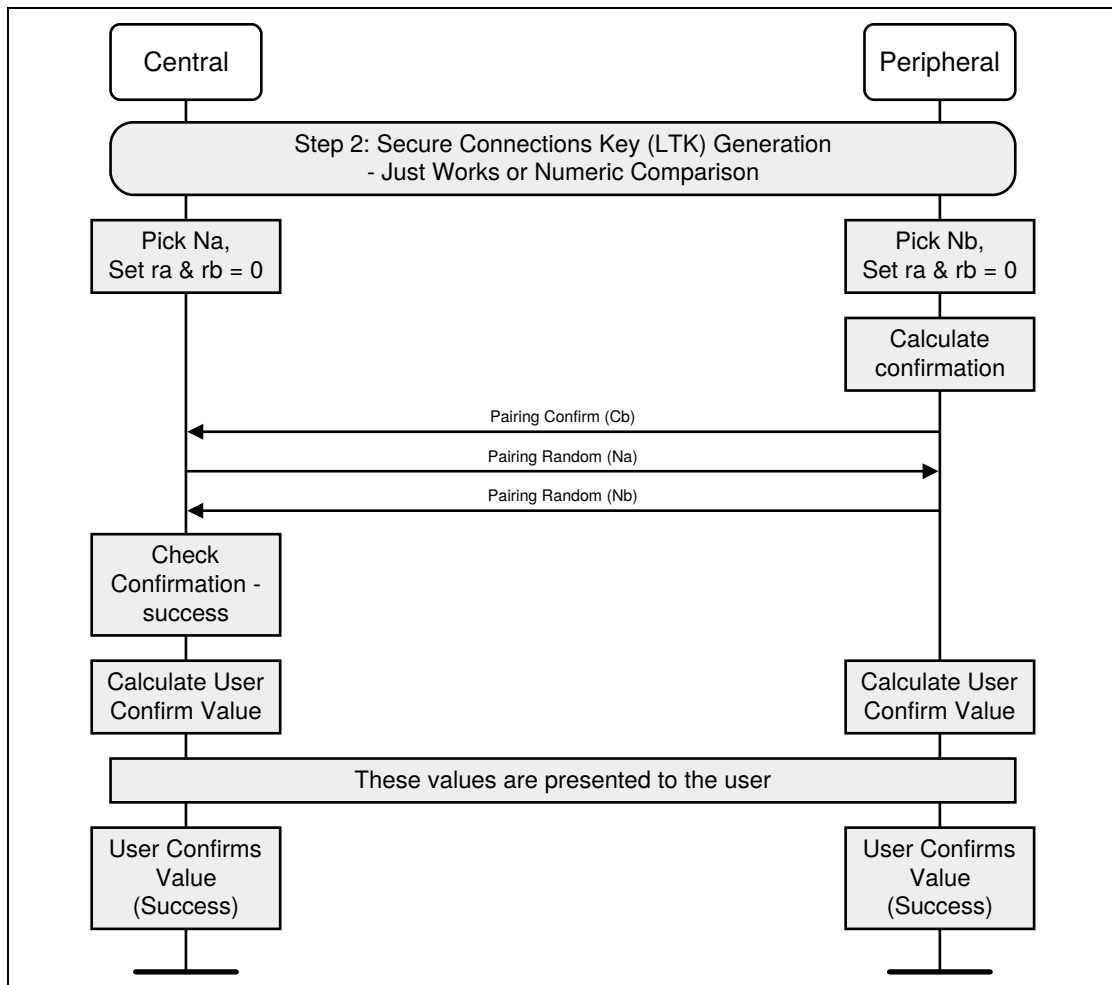


Figure C.8: Pairing Phase 2, authentication stage 1, successful Numeric Comparison



C.2.2.2.2 Numeric Comparison – Confirm Check failure on the Initiator side

If the Confirm value calculated by the Initiator is not equal to the Commitment value received from the Responder, the Initiator will abort Pairing process by sending Pairing Failed with reason “Confirm Value Failed”.

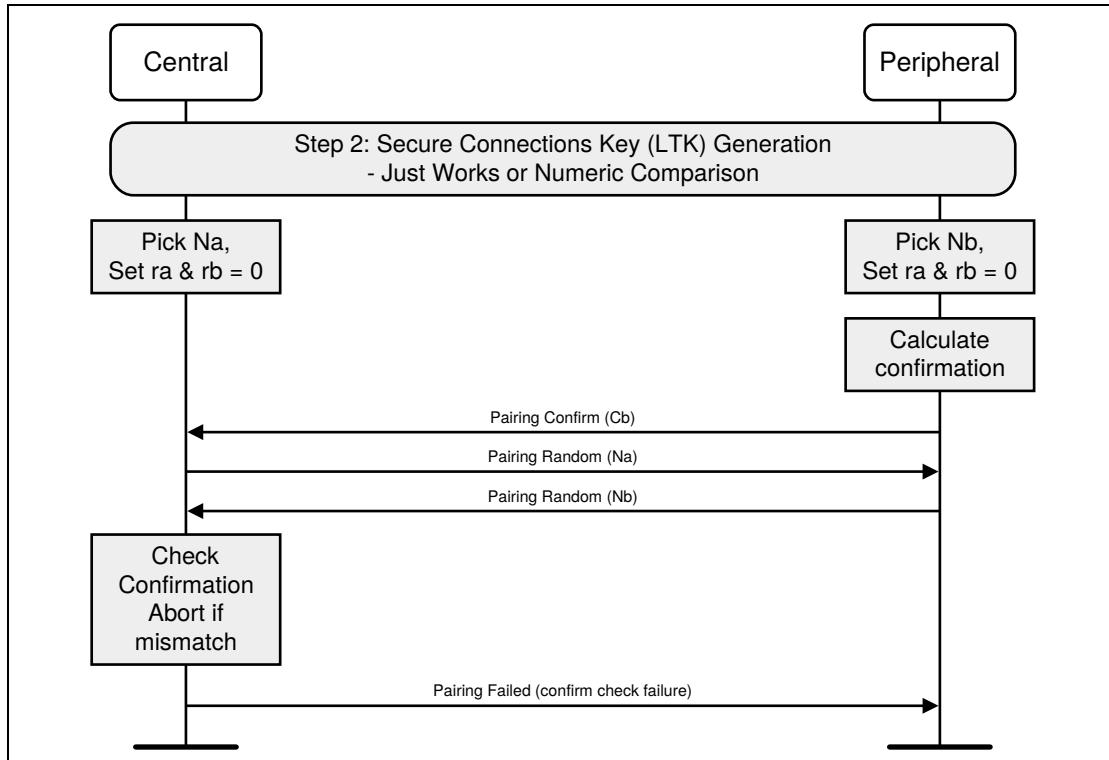


Figure C.9: Pairing Phase 2, authentication stage 1, Numeric Comparison – Confirm Check failure on Initiator side



C.2.2.2.3 Numeric Comparison failure on the Initiator side

If the numeric comparison fails on the initiating side due to the user indicating that the confirmation values do not match, Pairing is terminated.

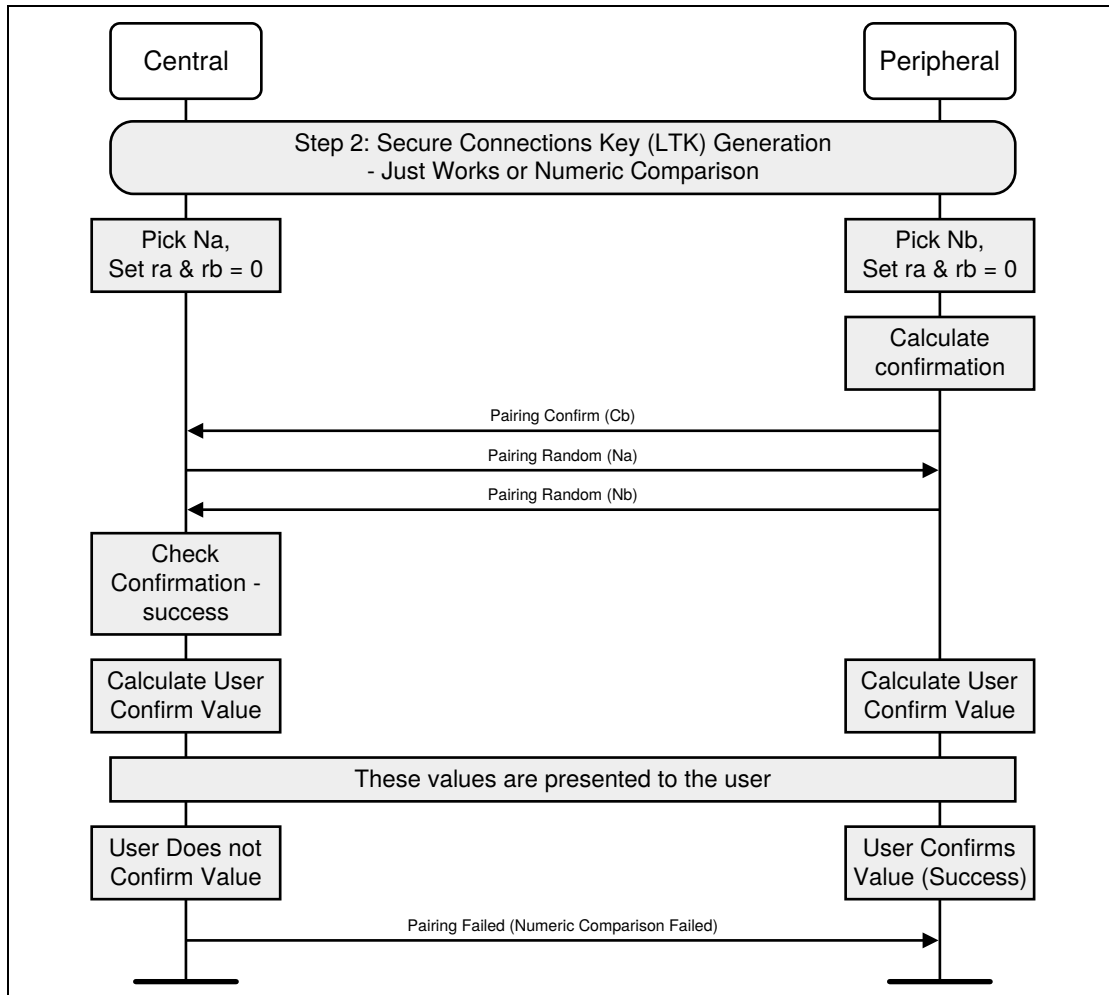


Figure C.10: Pairing Phase 2, authentication stage 1, Numeric Comparison failure on Initiator side



C.2.2.2.4 Numeric Comparison failure on the Responding side

If the numeric comparison fails on the responding side due to the user indicating that the confirmation values do not match, Pairing is terminated.

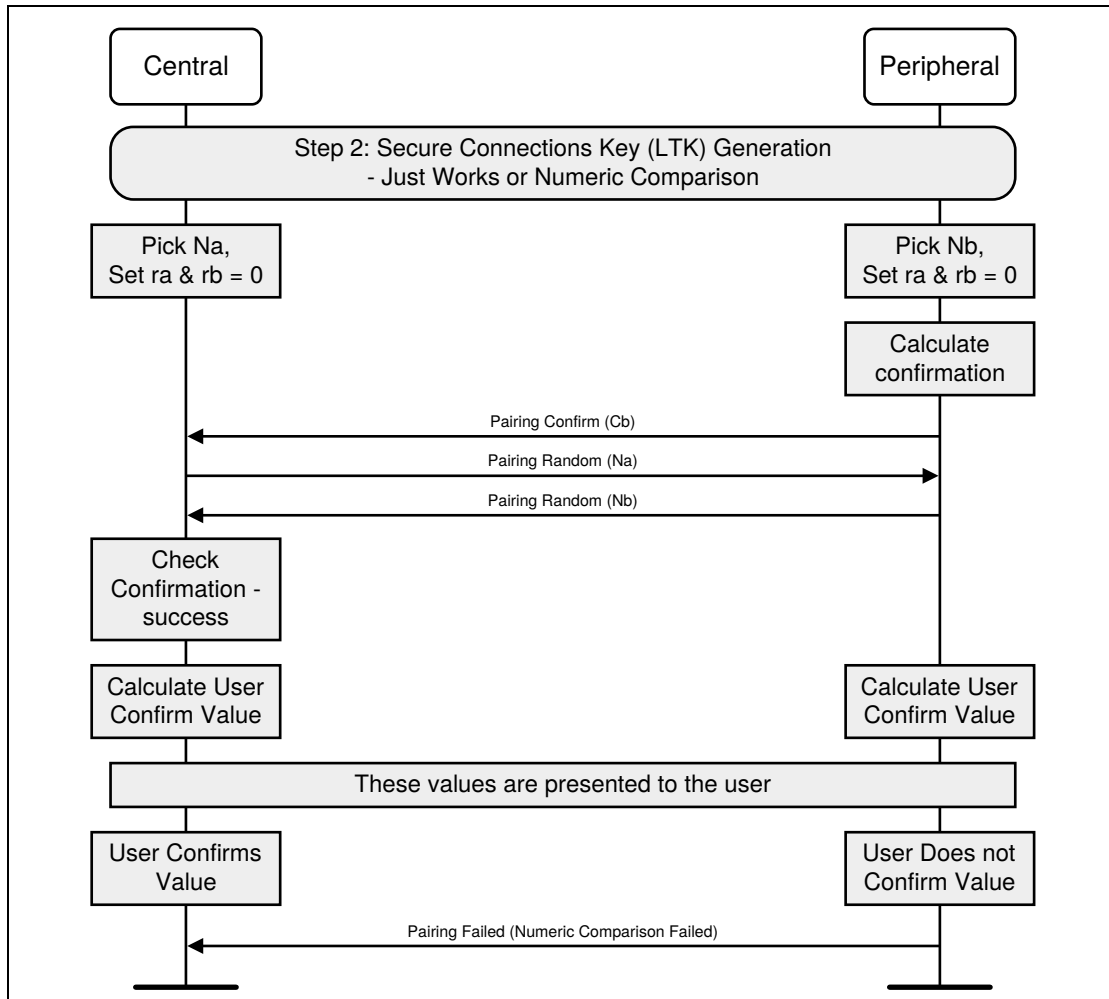


Figure C.11: Pairing Phase 2, authentication stage 1, Numeric Comparison failure on Responding side



C.2.2.2.5 Successful Passkey Entry

The Passkey Entry step is used in two cases: when one device has numeric input only and the other device has either a display or numeric input capability. In this step, one device display a number to be entered by the other device or the user enters a number on both devices. Key press notification messages are shown during the user input phase.

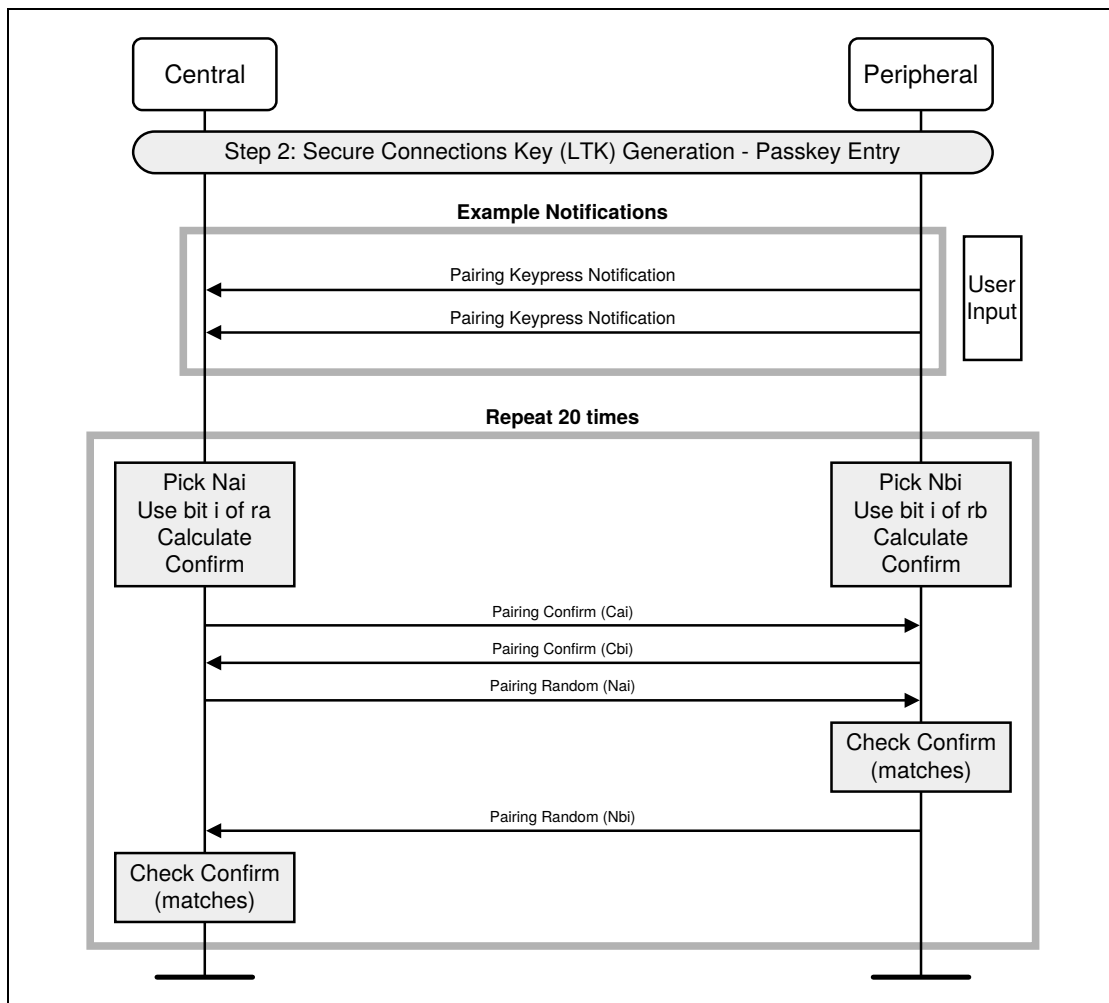


Figure C.12: Pairing Phase 2, authentication stage 1, Successful Passkey Entry

Note: Passkey Entry may prolong pairing experience because of the time required to execute 20 repetitions over SMP.



C.2.2.2.6 Passkey Entry – Confirm Check failure on the Responder side

If during one of the 20 repetitions, the Confirm calculated by the Responder is not equal to the one received from the Initiator, the Responder will abort the Pairing process by sending Pairing Failed with reason “Confirm Value Failed.”

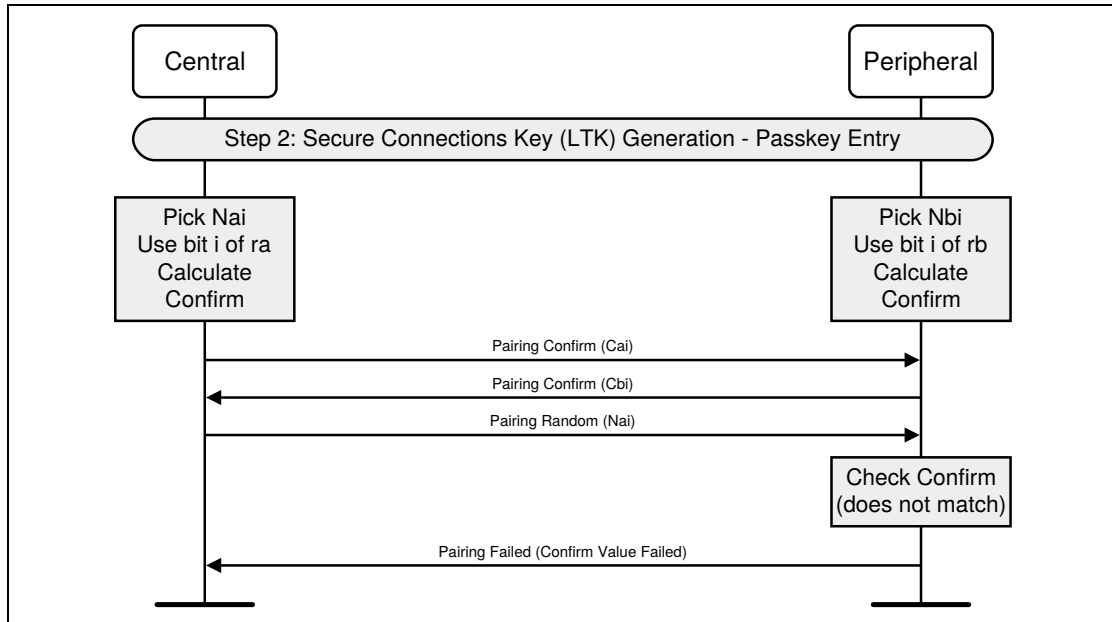


Figure C.13: Pairing Phase 2, authentication stage 1, Passkey Entry – Confirm Check failure on Responder side



C.2.2.2.7 Passkey Entry – Confirm Check failure on the Initiator side

If during one of the 20 repetitions, the Confirm calculated by the Initiator is not equal to the one received from the Responder, the Initiator will abort the Pairing process by sending Pairing Failed with reason “Confirm Value Failed”.

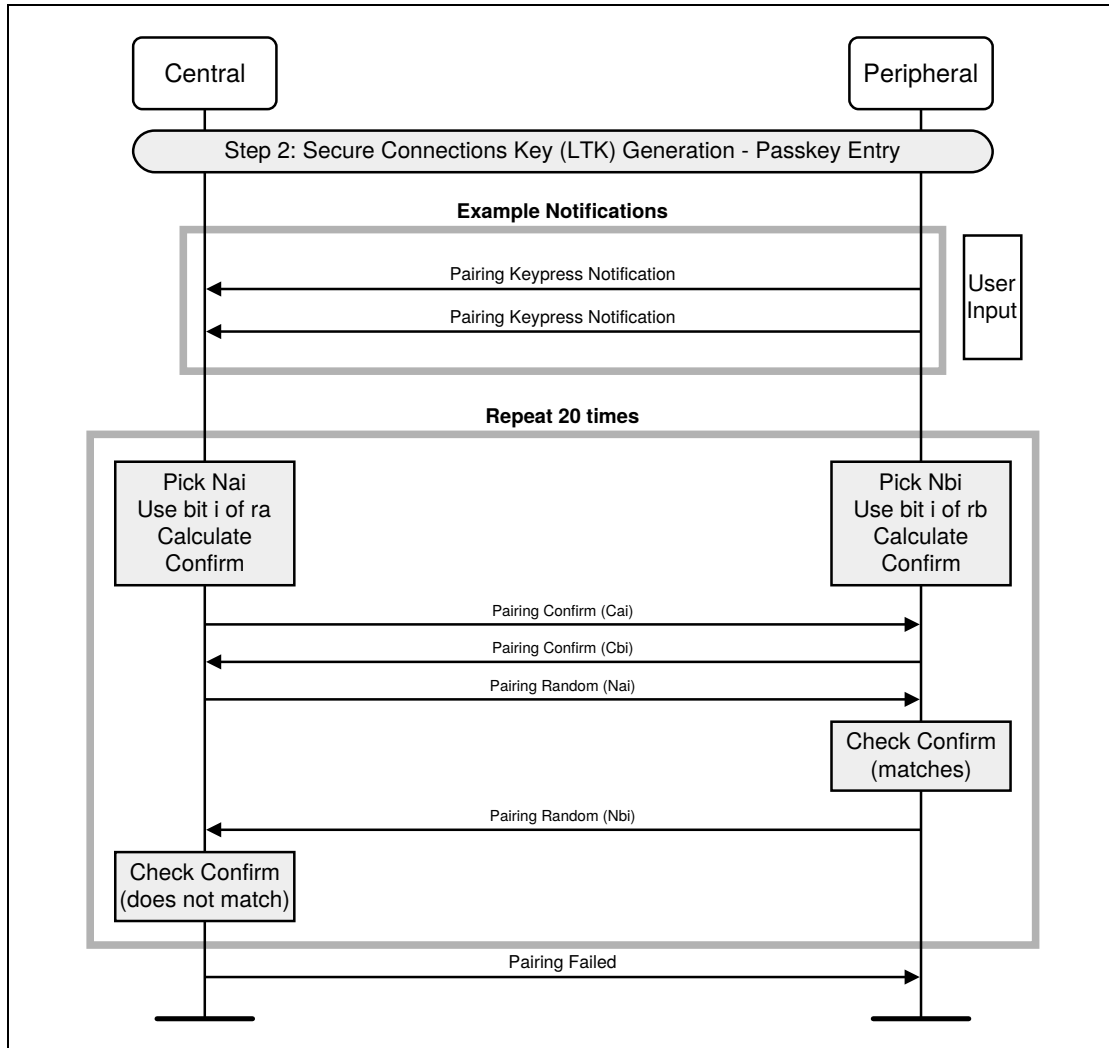


Figure C.14: Pairing Phase 2, authentication stage 1, Passkey Entry – Confirm Check failure on Initiator side



C.2.2.2.8 Passkey Entry failure on the Responding side

If the passkey entry fails on the responding side, Pairing is terminated.

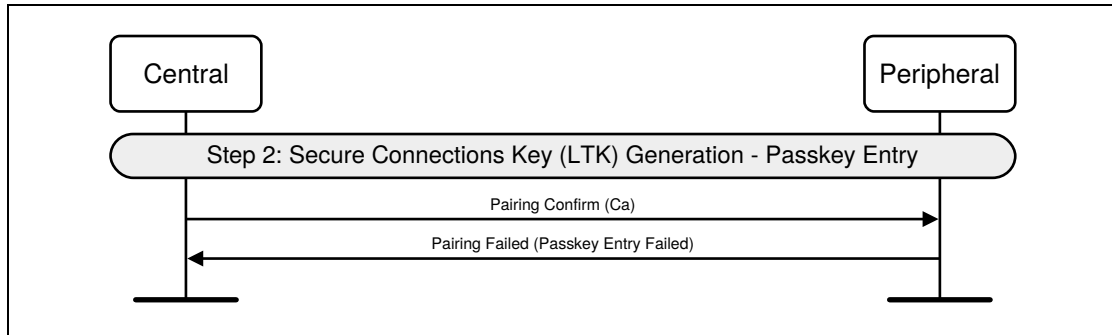


Figure C.15: Pairing Phase 2, authentication stage 1, Passkey Entry failure on Responding side

C.2.2.2.9 Passkey Entry Failure on the Initiator Side

If the passkey entry fails on the initiating side, Pairing is terminated.

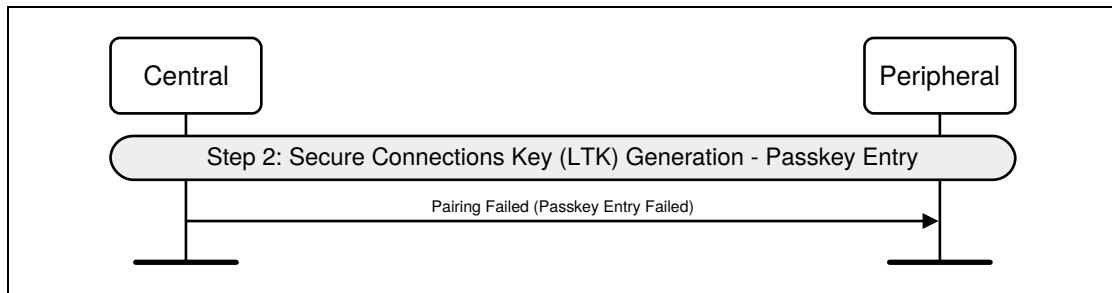


Figure C.16: Pairing Phase 2, authentication stage 1, Passkey Entry failure on Initiator side



C.2.2.2.10 Successful Out of Band

The OOB authentication will only be done when at least one device has some OOB information to use. This step requires no user interaction.

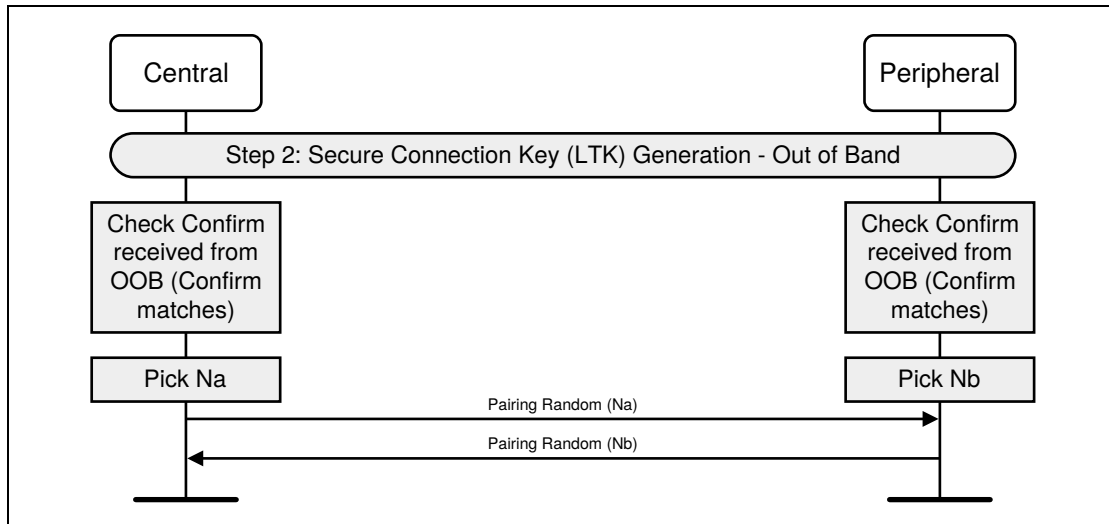


Figure C.17: Pairing Phase 2, authentication stage 1, successful Out of Band

C.2.2.2.11 Out of Band – Confirm Check failure on the Responder side

If the Confirm value received from OOB is not equal to the calculated Confirm value, the Responder will abort the Pairing process by sending Pairing Failed with reason “Confirm Value Failed”.

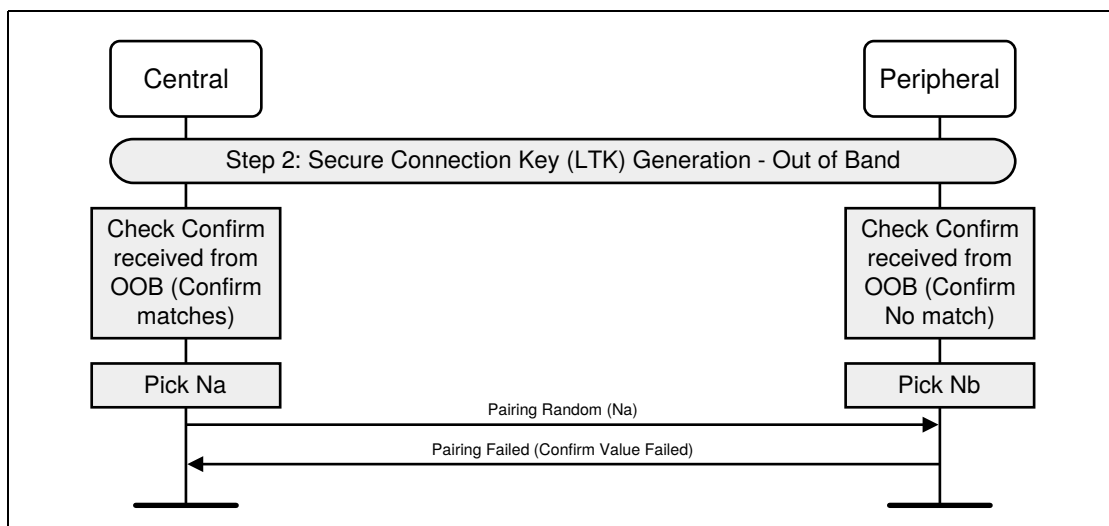


Figure C.18: Pairing Phase 2, authentication stage 1, Out of Band – Confirm Check failure on Responder side



C.2.2.2.12 Out of Band - Confirm Check failure on the Initiating side

If the Confirm value received from OOB is not equal to the calculated Confirm value, the Initiator will abort the Pairing process by sending Pairing Failed with reason "Confirm Value Failed".

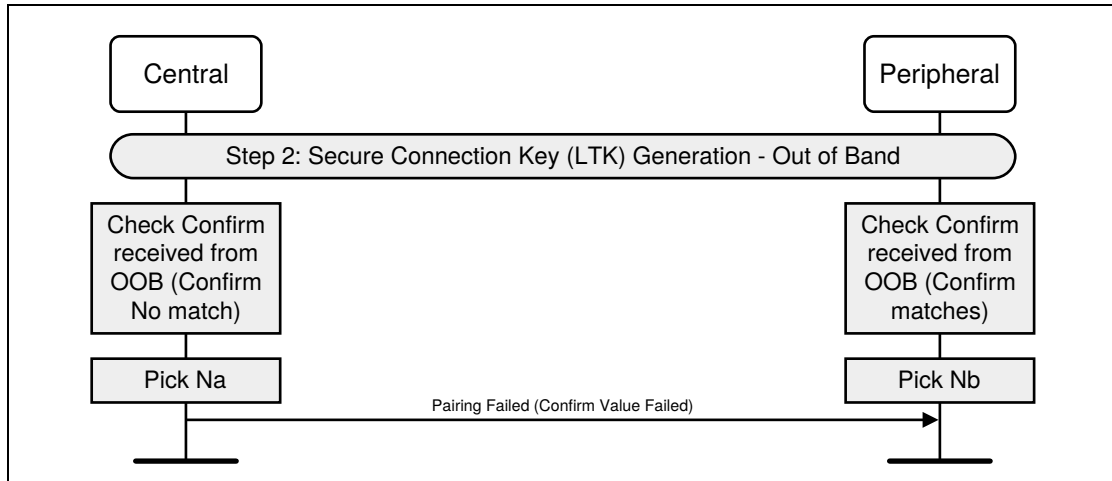


Figure C.19: Pairing Phase 2: authentication stage 1, Out of Band – Confirm Check failure on Initiator side

C.2.2.2.13 Out of Band Failure on the Initiator side (OOB information not available)

If the initiating side does not have the responder's OOB information, Pairing is terminated.

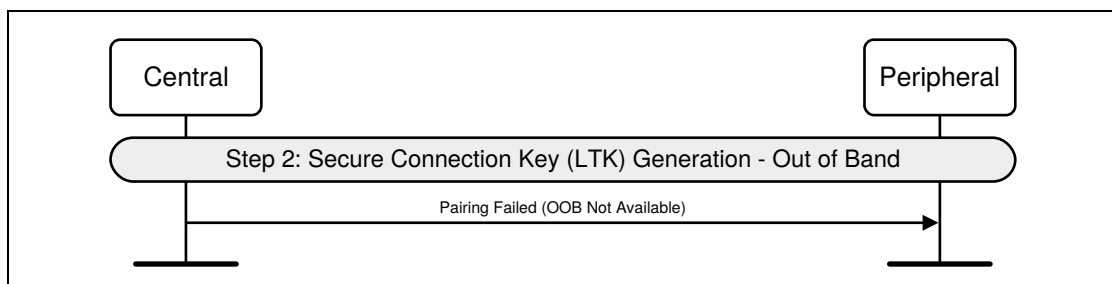


Figure C.20: Pairing Phase 2, authentication stage 1, Out of Band failure on Initiator side



C.2.2.2.14 Out of Band Failure on the Responding side (OOB information not available)

If the responding side does not have the initiator's OOB information, Pairing is terminated.

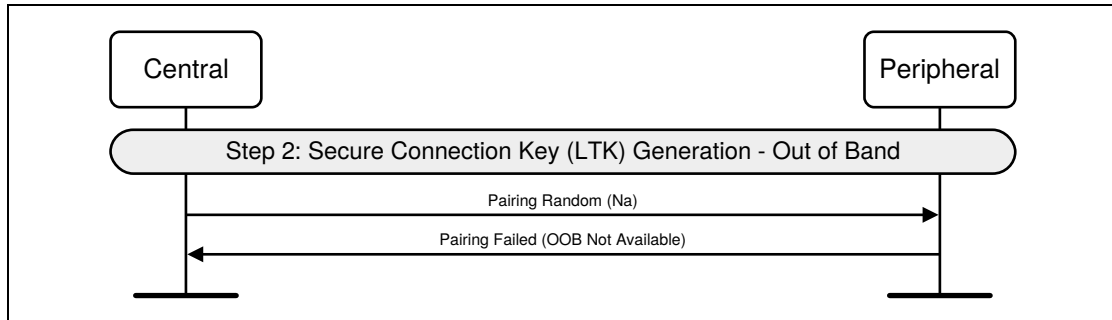


Figure C.21: Pairing Phase 2, authentication stage 1, Out of Band failure on Responding side

C.2.2.3 Long Term Key calculation

Once the DHKey generation is complete, the Long Term Key (LTK) is calculated from the DHKey.

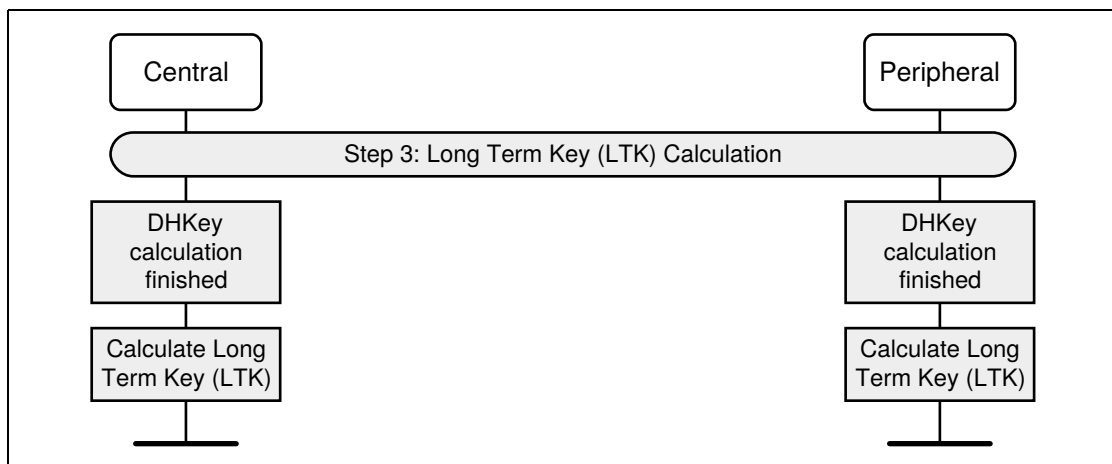


Figure C.22: Long Term Key calculation



C.2.2.4 Authentication stage 2 (DHKey checks)

Once the LTK calculation and authentication stage 1 have completed, the DHKey value generated is checked by exchanging DHKey Check values generated using the DHKey. If this succeeds, then both devices would have finished displaying information to the user about the process, and therefore the Host can stop displaying this information.

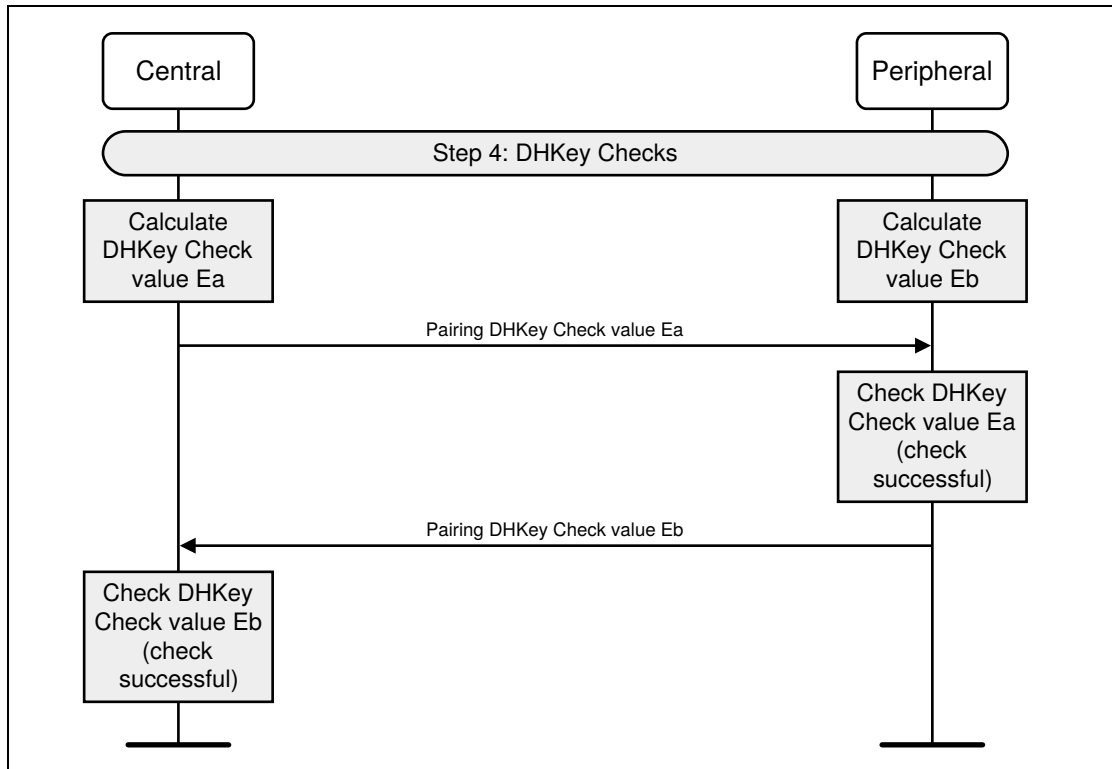


Figure C.23: Pairing Phase 2, authentication stage 2, DHKey checks



C.3 PHASE 3: TRANSPORT SPECIFIC KEY DISTRIBUTION

After short term key generation and the link has been encrypted, transport specific keys are distributed. [Figure C.24](#) shows an example of all keys and values being distributed by Central and Peripheral.

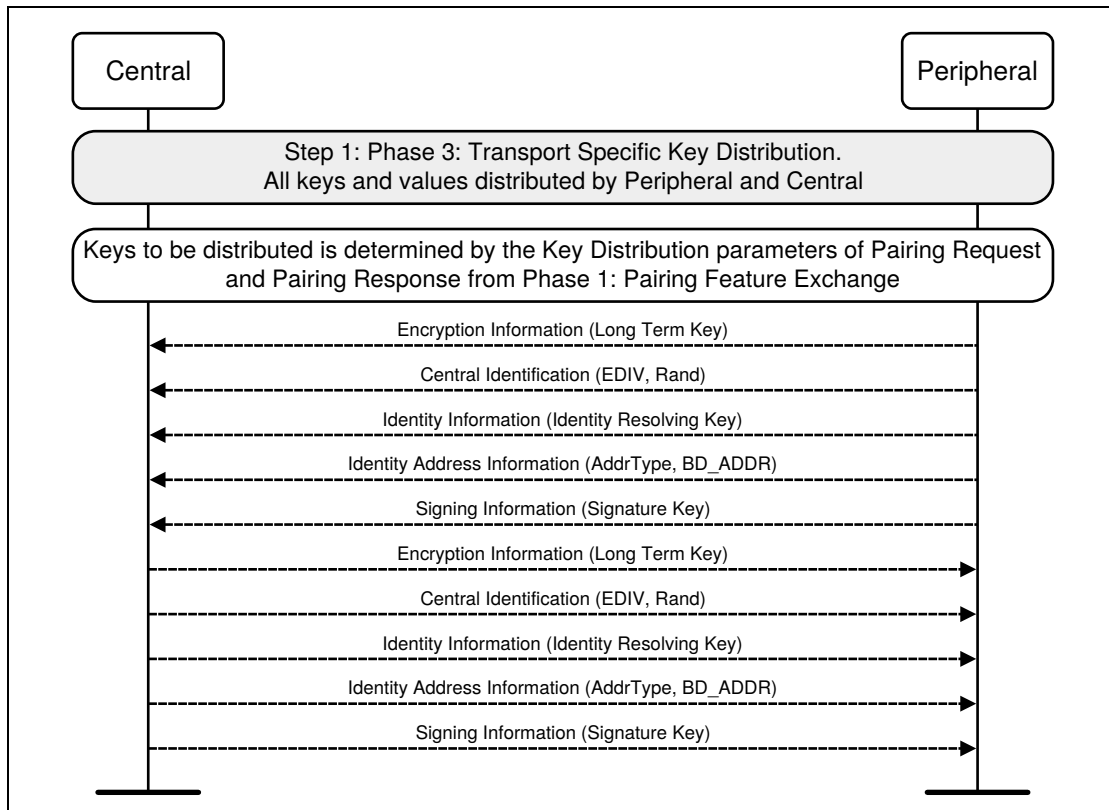


Figure C.24: Transport specific key distribution

C.4 SECURITY RE-ESTABLISHED USING PREVIOUSLY DISTRIBUTED LTK

Devices may re-establish security using a previously distributed LTK. The Central always initiates the encryption procedures, and therefore there are two possible sequences: Central initiated and Peripheral requested.

C.4.1 Central initiated security - Central initiated Link Layer encryption

The Central initiates encryption procedures. There is no SM signaling to enable this; the Central initiates Link Layer encryption only. See [\[Vol 6\] Part D, Section 6.6](#).



C.4.2 Peripheral security request - Central initiated Link Layer encryption

The Peripheral may request the Central initiates security procedures. [Figure C.25](#) shows an example where the Peripheral requests security and the Central initiates Link Layer encryption.

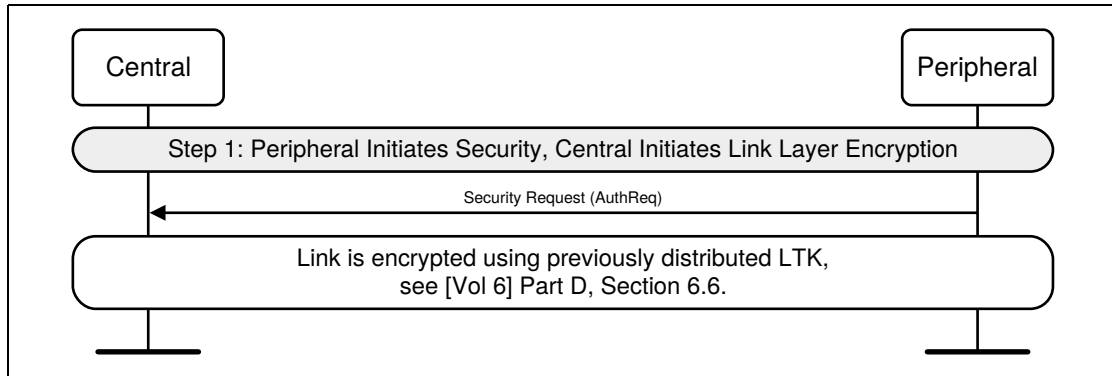


Figure C.25: Peripheral security request, Central initiates Link Layer encryption

C.5 FAILURE CONDITIONS

The following sequences show possible failure conditions and their associated signaling.

C.5.1 Pairing not supported by Peripheral

If the Peripheral does not support pairing or pairing cannot be performed the Peripheral can reject the request from the Central. [Figure C.26](#) shows the Peripheral rejecting a Pairing Request command from the Central.

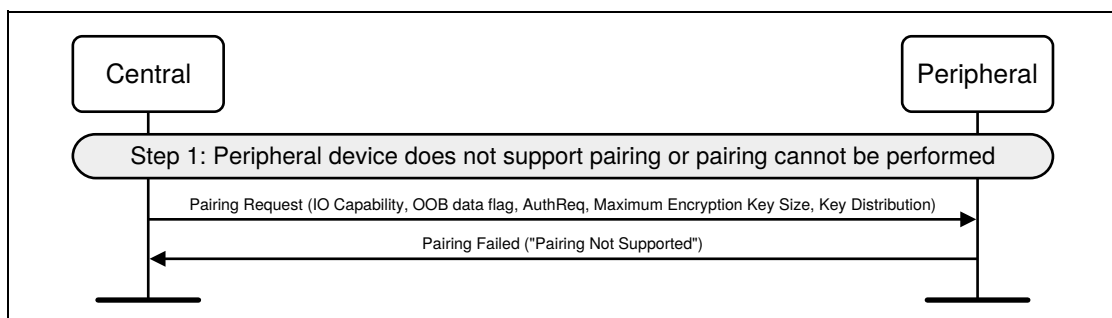


Figure C.26: Peripheral rejects pairing attempt



C.5.2 Central rejects pairing because of key size

During Pairing Feature Exchange the size of the Encryption Key is negotiated. Figure C.27 shows an example where the Central terminates the pairing procedure because the resulting key size is not acceptable.

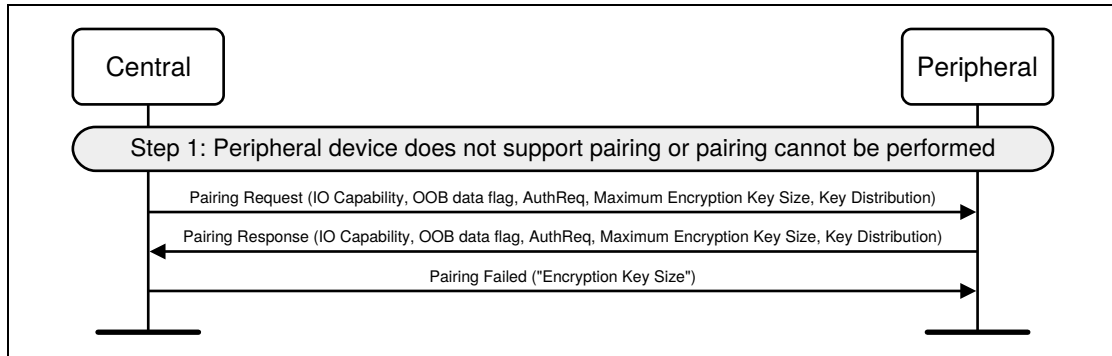


Figure C.27: Central rejects pairing because of key size

C.5.3 Peripheral rejects pairing because of key size

During Pairing Feature Exchange the size of the Encryption Key is negotiated. Figure C.28 shows an example where the Peripheral terminates the pairing procedure because the resulting key size is not acceptable.

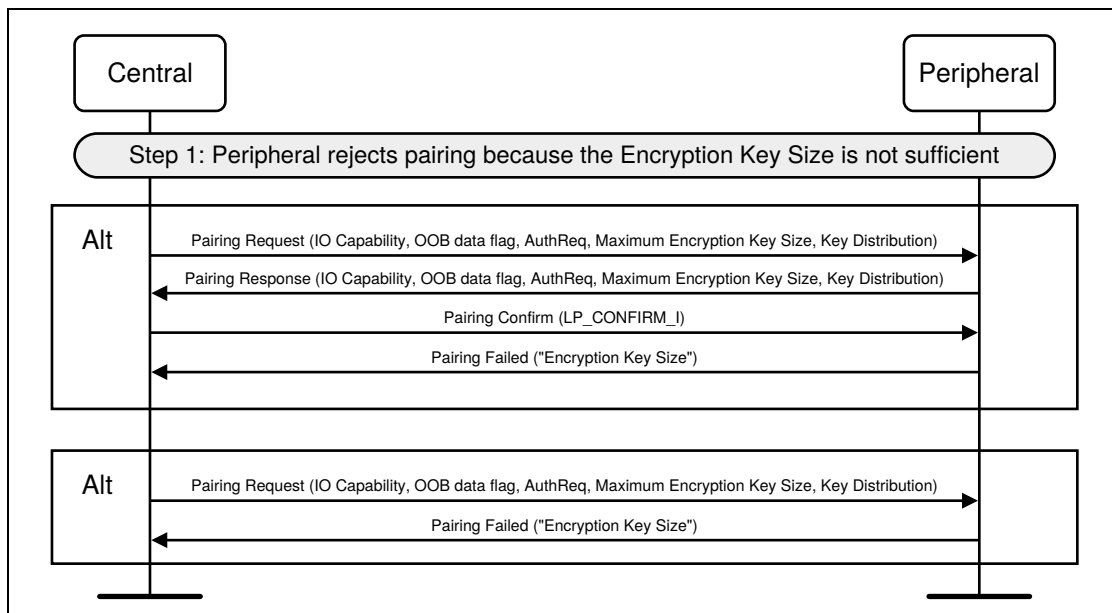


Figure C.28: Peripheral rejects pairing because of key size



C.5.4 Passkey Entry failure on Central

During Passkey Entry pairing the user enters a passkey on both devices. [Figure C.29](#) shows an example where the passkey entry fails on the Central.

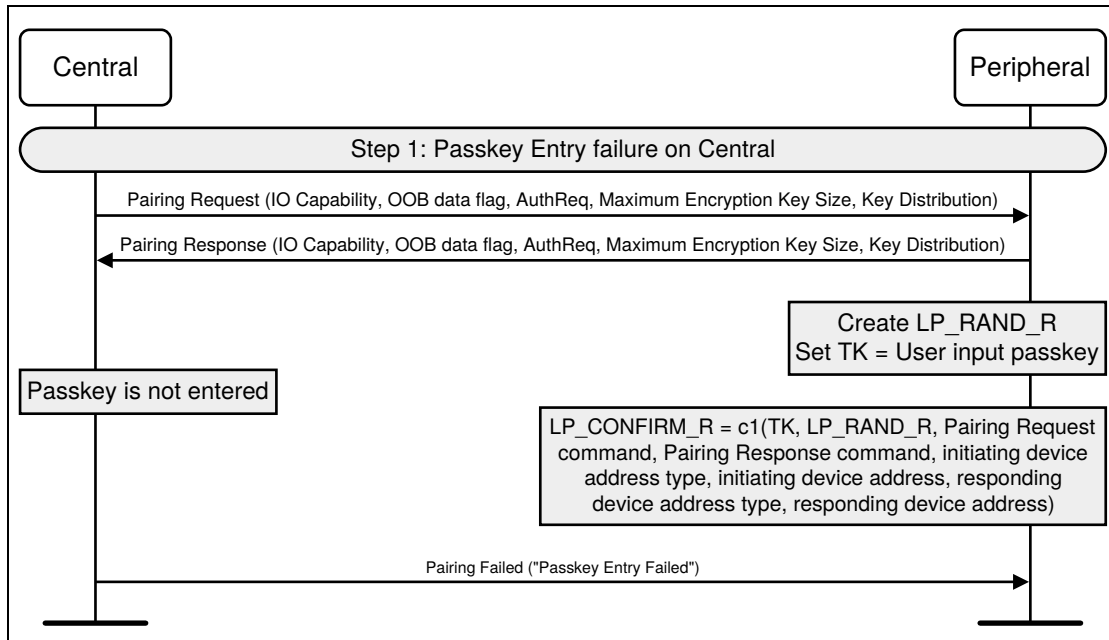


Figure C.29: Passkey Entry failure on Central



C.5.5 Passkey Entry failure on Peripheral

During Passkey Entry pairing the user enters a passkey on both devices. [Figure C.30](#) shows an example where the passkey entry fails on the Peripheral.

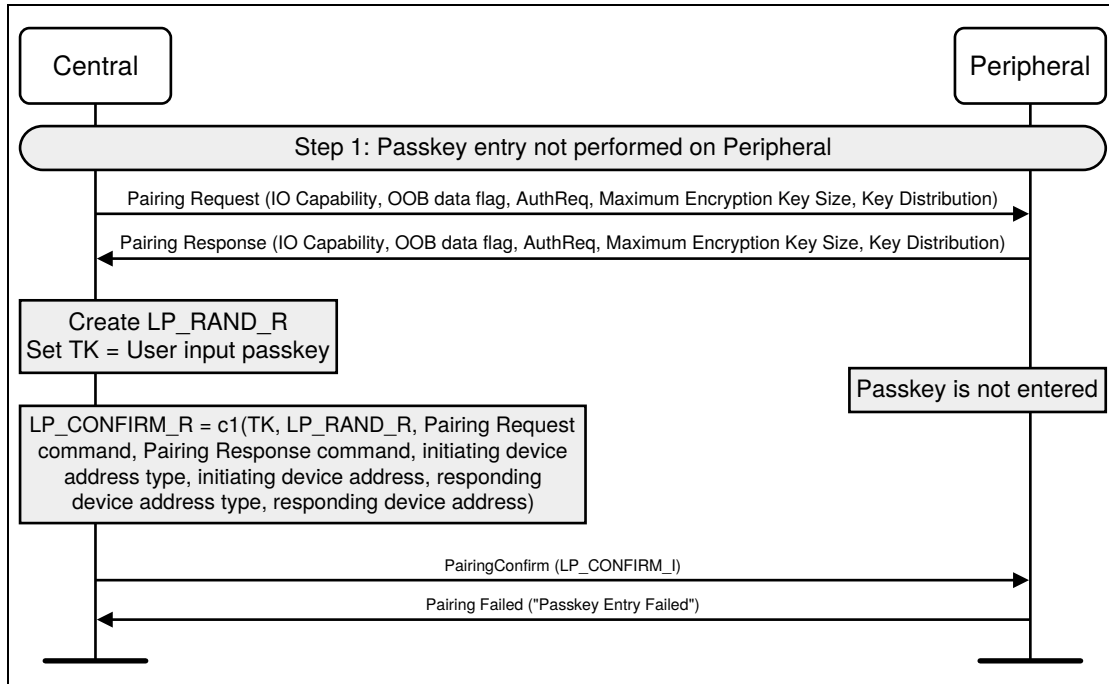


Figure C.30: Passkey Entry failure on Peripheral



C.5.6 Peripheral rejects Central's confirm value

During Passkey Entry pairing the user enters a passkey on both devices. [Figure C.31](#) shows an example where a different passkey is entered on both devices. This sequence could also occur if any of the inputs to c1 (Passkey, LP_RAND_I, LP_RAND_R, Pairing Request command, Pairing Response command, address types or addresses) are incorrect or altered.

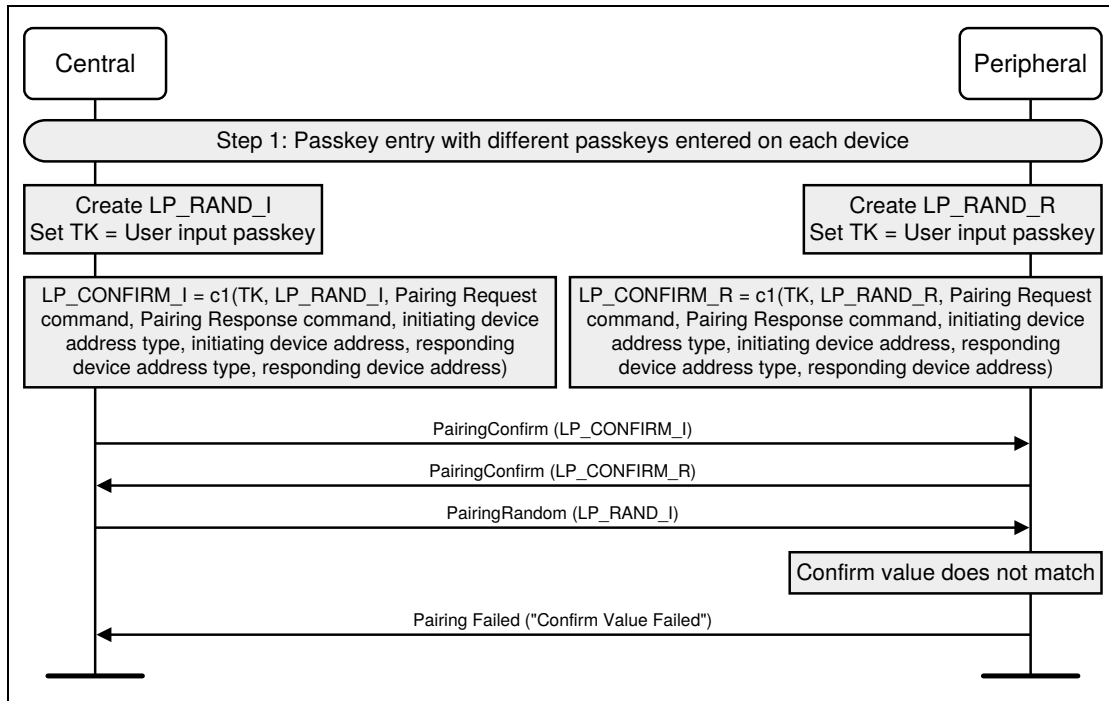


Figure C.31: Different passkeys entered



C.5.7 Central rejects Peripheral's confirm value

During all the pairing methods the Central and Peripheral send random numbers and confirm values. Figure C.32 shows an example where the Central rejects pairing because it cannot verify the confirm value from the Peripheral because any of the inputs to c_1 (Passkey, LP_RAND_I , LP_RAND_R , Pairing Request command, Pairing Response command, Pairing Request command, Pairing Response command, initiating device address type, initiating device address, responding device address type, responding device address) are incorrect or altered.

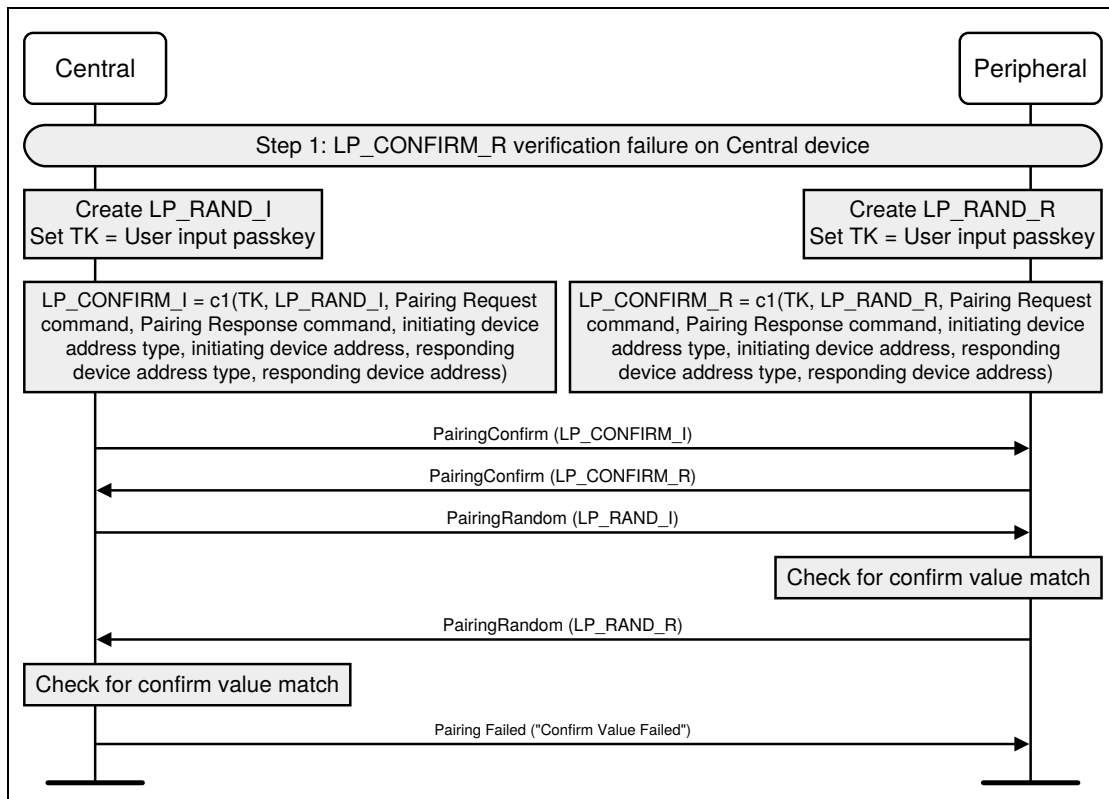


Figure C.32: Central rejects $LP_CONFIRM_R$ value from Peripheral



APPENDIX D SAMPLE DATA

In each data set in this section, the bytes are ordered from most significant on the left to least significant on the right. 'M' represents the message byte array for which the AES CMAC is calculated.

D.1 AES-CMAC RFC4493 TEST VECTORS

The following test vectors are referenced from RFC4493.

K	2b7e1516	28aed2a6	abf71588	09cf4f3c
Subkey Generation				
AES_128 (key, 0)	7df76b0c	1ab899b3	3e42f047	b91b546f
K1	fbeed618	35713366	7c85e08f	7236a8de
K2	f7ddac30	6ae266cc	f90bc11e	e46d513b

D.1.1 Example 1: Len = 0

M	<empty string>
AES_CMAC	bb1d6929 e9593728 7fa37d12 9b756746

D.1.2 Example 2: Len = 16

M	6bc1bee2 2e409f96 e93d7e11 7393172a
AES_CMAC	070a16b4 6b4d4144 f79bdd9d d04a287c

D.1.3 Example 3: Len = 40

M0	6bc1bee2 2e409f96 e93d7e11 7393172a
M1	ae2d8a57 1e03ac9c 9eb76fac 45af8e51
M2	30c81c46 a35ce411
AES_CMAC	dfa66747 de9ae630 30ca3261 1497c827

D.1.4 Example 4: Len = 64

M0	6bc1bee2 2e409f96 e93d7e11 7393172a
M1	ae2d8a57 1e03ac9c 9eb76fac 45af8e51
M2	30c81c46 a35ce411 e5fbc119 1a0a52ef
M3	f69f2445 df4f9b17 ad2b417b e66c3710
AES_CMAC	51f0bebf 7e3b9d92 fc497417 79363cfe



D.2 f4 LE SC CONFIRM VALUE GENERATION FUNCTION

U	20b003d2	f297be2c	5e2c83a7	e9f9a5b9
	eff49111	acf4fddb	cc030148	0e359de6
V	55188b3d	32f6bb9a	900afcfc	eed4e72a
	59cb9ac2	f19d7cfb	6b4fdd49	f47fc5fd
X	d5cb8454	d177733e	ffffb2ec	712baeab
Z	0x00			
M0	20b003d2	f297be2c	5e2c83a7	e9f9a5b9
M1	eff49111	acf4fddb	cc030148	0e359de6
M2	55188b3d	32f6bb9a	900afcfc	eed4e72a
M3	59cb9ac2	f19d7cfb	6b4fdd49	f47fc5fd
	00			
AES_CMAC	f2c916f1	07a9bd1c	f1eda1be	a974872d

D.3 f5 LE SC KEY GENERATION FUNCTION

DHKey (W)	ec0234a3	57c8ad05	341010a6	0a397d9b
	99796b13	b4f866f1	868d34f3	73bfa698
T	3c128f20	de883288	97624bdb	8dac6989
keyID	62746c65			
N1	d5cb8454	d177733e	ffffb2ec	712baeab
N2	a6e8e7cc	25a75f6e	216583f7	ff3dc4cf
A1	00561237	37bfce		
A2	00a71370	2dcfc1		
Length (LTK)	0100			
M0	0162746c	65d5cb84	54d17773	3effffb2
M1	ec712bae	aba6e8e7	cc25a75f	6e216583
M2	f7ff3dc4	cf005612	3737bfce	00a71370
M3	2dcfc101	00		
AES_CMAC (MacKey)	69867911	69d7cd23	980522b5	94750a38
M0	0062746c	65d5cb84	54d17773	3effffb2
M1	ec712bae	aba6e8e7	cc25a75f	6e216583
M2	f7ff3dc4	cf005612	3737bfce	00a71370
M3	2dcfc101	00		
AES_CMAC	2965f176	a1084a02	fd3f6a20	ce636e20



D.4 f6 LE SC CHECK VALUE GENERATION FUNCTION

N1	d5cb8454	d177733e	ffffb2ec	712baeab
N2	a6e8e7cc	25a75f6e	216583f7	ff3dc4cf
MacKey	2965f176	a1084a02	fd3f6a20	ce636e20
R	12a3343b	b453bb54	08da42d2	0c2d0fc8
IOcap	010102			
A1	00561237	37bfce		
A2	00a71370	2dcfc1		
M0	d5cb8454	d177733e	ffffb2ec	712baeab
M1	a6e8e7cc	25a75f6e	216583f7	ff3dc4cf
M2	12a3343b	b453bb54	08da42d2	0c2d0fc8
M3	01010200	56123737	bfce00a7	13702dcf
M4	c1			
AES_CMAC	e3c47398	9cd0e8c5	d26c0b09	da958f61

D.5 g2 LE SC NUMERIC COMPARISON GENERATION FUNCTION

U	20b003d2	f297be2c	5e2c83a7	e9f9a5b9
	eff49111	acf4fddb	cc030148	0e359de6
V	55188b3d	32f6bb9a	900afcfb	eed4e72a
	59cb9ac2	f19d7cfb	6b4fdd49	f47fc5fd
X	d5cb8454	d177733e	ffffb2ec	712baeab
Y	a6e8e7cc	25a75f6e	216583f7	ff3dc4cf
M0	20b003d2	f297be2c	5e2c83a7	e9f9a5b9
M1	eff49111	acf4fddb	cc030148	0e359de6
M2	55188b3d	32f6bb9a	900afcfb	eed4e72a
M3	59cb9ac2	f19d7cfb	6b4fdd49	f47fc5fd
M4	a6e8e7cc	25a75f6e	216583f7	ff3dc4cf
AES_CMAC	1536d18d	e3d20df9	9b7044c1	2f9ed5ba
g2	2f9ed5ba			

D.6 h6 LE SC LINK KEY CONVERSION FUNCTION

Key	ec0234a3	57c8ad05	341010a6	0a397d9b
keyID	6c656272			
M	6c656272			
AES_CMAC	2d9ae102	e76dc91c	e8d3a9e2	80b16399



D.7 ah RANDOM ADDRESS HASH FUNCTIONS

IRK	ec0234a3	57c8ad05	341010a6	0a397d9b
prand	00000000	00000000	00000000	00708194
M	00000000	00000000	00000000	00708194
AES_128	159d5fb7	2ebe2311	a48c1bdc	c40dfbaa
ah	0dfbaa			

D.8 h7 LE SC LINK KEY CONVERSION FUNCTION

Key	ec0234a3	57c8ad05	341010a6	0a397d9b
SALT	00000000	00000000	00000000	746D7031
AES_CMAC	fb173597	c6a3c0ec	d2998c2a	75a57011

D.9 LTK TO LINK KEY CONVERSION USING CT2=1

LTK	368df9bc	e3264b58	bd066c33	334fbf64
Link Key	287ad379	dca40253	0a39f1f4	3047b835

D.10 LTK TO LINK KEY CONVERSION USING CT2=0

LTK	368df9bc	e3264b58	bd066c33	334fbf64
Link Key	bc1ca4ef	633fc1bd	0d8230af	ee388fb0

D.11 LINK KEY TO LTK CONVERSION USING CT2=1

Link Key	05040302	01000908	07060504	03020100
LTK	e85e09eb	5eccb3e2	69418a13	3211bc79

D.12 LINK KEY TO LTK CONVERSION USING CT2=0

Link Key	05040302	01000908	07060504	03020100
LTK	a813fb72	f1a3dfa1	8a2c9a43	f10d0a30



Host Controller Interface

Specification of the *Bluetooth*® System

Volume 4

Covered Core Package Version: **5.4**

Version Date: **2023-01-31**

Host Controller Interface

Part A

UART TRANSPORT LAYER

This Part describes the UART transport layer (between the Host and the Controller). HCI command, event, and data packets flow through this layer, but the layer does not decode them.



CONTENTS

1	General	1648
2	Protocol	1649
3	RS232 settings	1650
4	Error recovery	1651

1 GENERAL

The objective of this HCI UART Transport Layer is to make it possible to use the Bluetooth HCI over a serial interface between two UARTs on the same PCB. The HCI UART Transport Layer assumes that the UART communication is free from line errors.

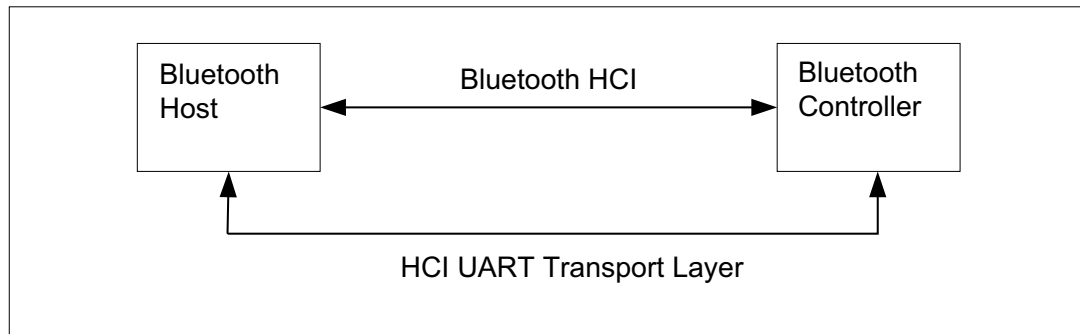


Figure 1.1: HCI UART Transport Layer

See [\[Vol 4\] Part D](#) for an alternative UART transport layer for use in the presence of line errors.



2 PROTOCOL

There are five kinds of HCI packets that can be sent via the UART Transport Layer; i.e. HCI Command packet, HCI Event packet, HCI ACL Data packet, HCI Synchronous Data packet, and HCI ISO Data packet (see [Vol 4] Part E, Section 5.4). HCI Command packets can only be sent to the Bluetooth Controller, HCI Event packets can only be sent from the Bluetooth Controller, and HCI ACL/Synchronous/ISO Data Packets can be sent both to and from the Bluetooth Controller.

HCI does not provide the ability to differentiate the five HCI packet types. Therefore, if the HCI packets are sent via a common physical interface, an HCI packet indicator has to be added according to Table 2.1 below.

HCI packet type	HCI packet indicator
HCI Command packet	0x01
HCI ACL Data packet	0x02
HCI Synchronous Data packet	0x03
HCI Event packet	0x04
HCI ISO Data packet	0x05

Table 2.1: HCI packet indicators

The HCI packet indicator shall be sent immediately before the HCI packet. All five kinds of HCI packets have a length field, which is used to determine how many bytes are expected for the HCI packet. When an entire HCI packet has been received, the next HCI packet indicator is expected for the next HCI packet. Over the UART Transport Layer, only HCI packet indicators followed by HCI packets are allowed.



3 RS232 SETTINGS

The HCI UART Transport Layer uses the following settings for RS232:

Baud rate:	manufacturer-specific
Number of data bits:	8
Parity bit:	no parity
Stop bit:	1 stop bit
Flow control:	RTS/CTS
Flow-off response time:	manufacturer specific

Table 3.1: RS232 settings

Flow control with RTS/CTS is used to prevent temporary UART buffer overrun. It should not be used for flow control of HCI, since HCI has its own flow control mechanisms for HCI commands, HCI events and HCI data.

If CTS is 1, then the Host/Controller is allowed to send.
If CTS is 0, then the Host/Controller is not allowed to send.

The flow-off response time defines the maximum time from setting RTS to 0 until the byte flow actually stops.

The RS232 signals should be connected in a null-modem fashion; i.e. the local TXD should be connected to the remote RXD and the local RTS should be connected to the remote CTS and vice versa.



4 ERROR RECOVERY

If the Host or the Controller lose synchronization in the communication over RS232, then a reset is needed. A loss of synchronization means that an incorrect HCI packet indicator has been detected, or that the length field in an HCI packet is out of range.

If the UART synchronization is lost in the communication from Host to Controller, then the Controller shall send an `HCI_Hardware_Error` event to tell the Host about the synchronization error. The Controller will then expect to receive an `HCI_Reset` command from the Host in order to perform a reset. The Controller will also use the `HCI_Reset` command in the byte stream from Host to Controller to re-synchronize.

If the UART synchronization is lost in the communication from Controller to Host, then the Host shall send the `HCI_Reset` command in order to reset the Controller. The Host shall then re-synchronize by looking for the `HCI_Command_Complete` event for the `HCI_Reset` command in the byte stream from Controller to Host.

Host Controller Interface

Part B

USB TRANSPORT LAYER

This Part describes the USB transport layer (between a Host and the Controller). HCI commands flow through this layer, but the layer does not decode the commands.



CONTENTS

1	Overview	1654
2	USB endpoint expectations	1656
	2.1 Descriptor overview	1656
	2.1.1 Controller descriptors.....	1656
	2.1.2 [This section is no longer used]	1662
	2.2 Control endpoint expectations	1662
	2.2.1 Single function Controller.....	1663
	2.2.2 Controller function in a composite device	1663
	2.2.3 [This section is no longer used]	1663
	2.3 Bulk endpoints expectations	1664
	2.4 Interrupt endpoint expectations	1664
	2.5 Isochronous endpoints expectations	1664
3	Class code	1665
	3.1 Bluetooth codes	1665
	3.1.1 [This section is no longer used]	1665
	3.1.2 [This section is no longer used]	1665
	3.1.3 [This section is no longer used]	1665
	3.1.4 [This section is no longer used]	1665
4	Device firmware upgrade	1666
5	Limitations	1667
	5.1 Power specific limitations	1667
	5.2 Other limitations.....	1667
6	Bluetooth Composite Device implementation	1668
	6.1 Configurations	1668
	6.2 Using USB Interface Association Descriptors for a Controller function	1668
	6.3 [This section is no longer used]	1669
7	References	1670



1 OVERVIEW

This document discusses the requirements of the Universal Serial Bus (USB) interface for Bluetooth hardware. Readers should be familiar with USB, USB design issues, Advanced Configuration Power Interface (ACPI), the overall Bluetooth architecture, and the basics of the radio interface.

The reader should also be familiar with the Bluetooth Host Controller interface.

Referring to [Figure 1.1](#), notice that this document discusses the implementation details of the two-way arrow labeled “USB Function.”

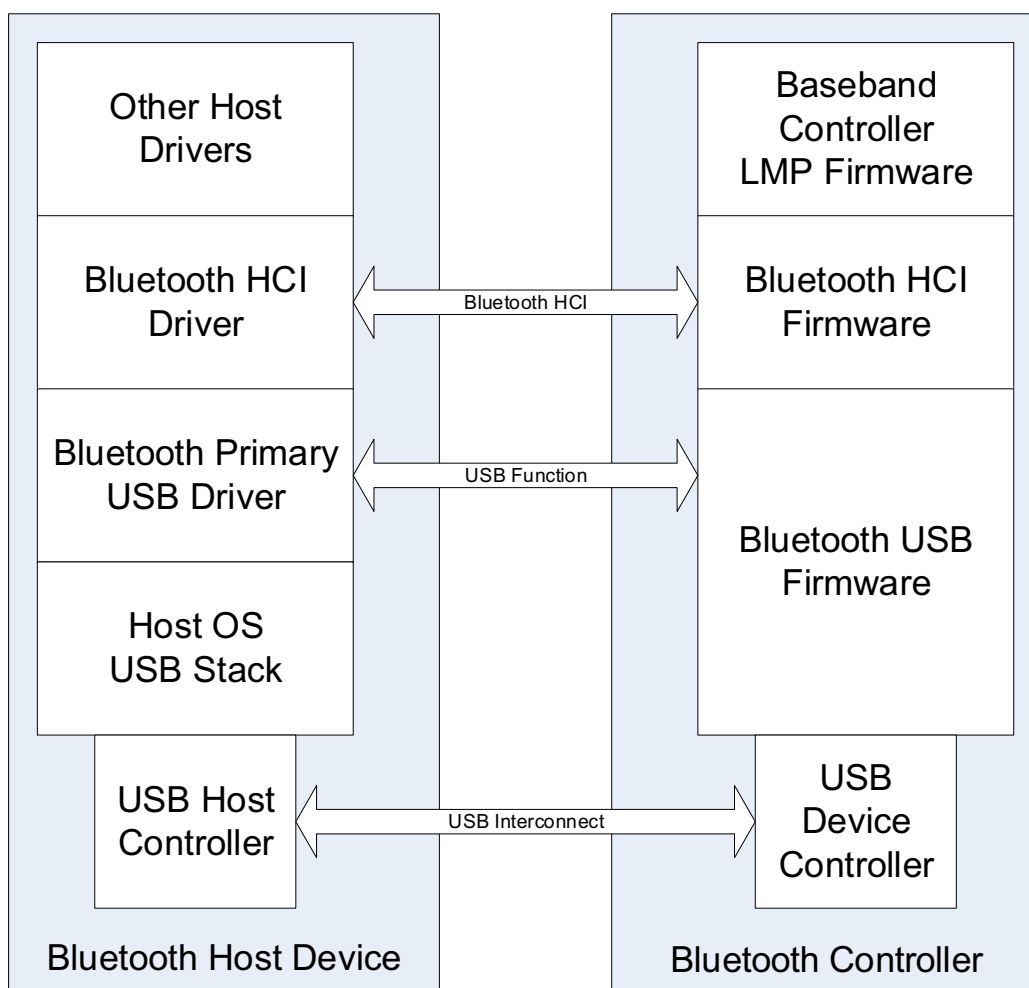


Figure 1.1: Relationship between the Host and Bluetooth Controller

The USB hardware can be embodied in one of several ways:

1. As a USB dongle (e.g. cabled USB)
2. As a USB module integrated into the product and connected internally via a cable or connector



3. Integrated onto the motherboard of a notebook PC or other device and connected via circuit board traces with standard USB, Inter-Chip USB or High Speed Inter-Chip USB
4. Integrated as a subsystem on a single-chip System-on-Chip (SoC) design connected on-chip as part of a compound device.

Finally, for an overview of the connection that is established between two Bluetooth devices, reference [Figure 1.2](#).

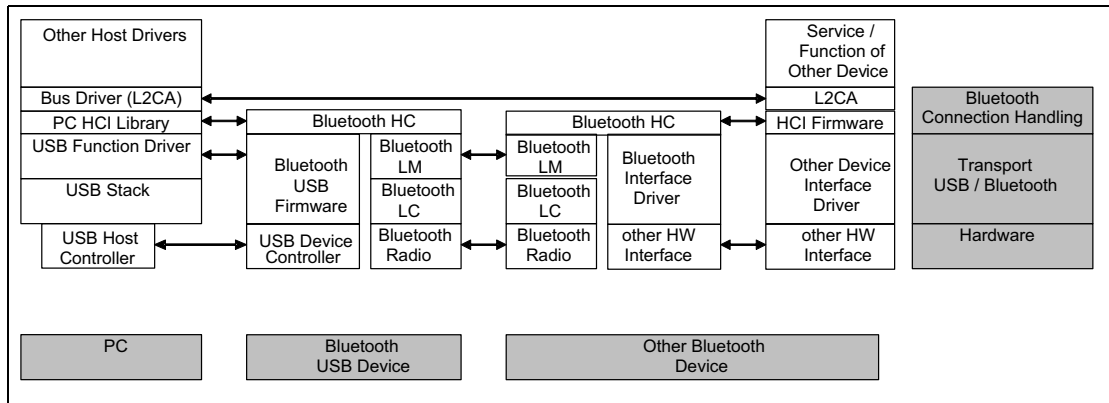


Figure 1.2: Flow of data from one Bluetooth device to another



2 USB ENDPOINT EXPECTATIONS

This section outlines specific USB endpoints that are required in order to function properly with the Host. This section assumes a basic familiarity with USB. The endpoint numbers (labeled ‘Suggested Endpoint Address’ below) may be dynamically recognized upon driver initialization – this depends on the implementation.

2.1 DESCRIPTOR OVERVIEW

The Universal Serial Bus is intended for high data rates. USB defines several physical layers, ranging from 1.5 Mb/s to several Gb/s of bus bandwidth. A Bluetooth USB device should provide a USB transport with sufficient bus bandwidth to support the Bluetooth radio transports included in the device.

2.1.1 Controller descriptors

The Controller configuration consists of two interfaces. The first interface has no alternate settings and contains the bulk and interrupt endpoints. The second interface provides scalable isochronous bandwidth. The recommended configuration for the second interface has four alternate settings that provide different bandwidth. The default interface is empty so that the device is capable of scaling down to zero isochronous bandwidth.

An HCI packet consisting of an HCI header and HCI data shall be contained in one USB Transfer. A USB transfer is defined by the USB specification as one or more USB transactions that contain the data from one IO request. For example, an ACL data packet containing 256 bytes (both HCI header and HCI data) would be sent over the bulk endpoint in one IO request. That IO request will require four 64-byte full speed USB Transactions or a single 256-byte High-speed USB Transaction, and forms a Transfer. If the Maximum Packet Size for the endpoint on which the transfer is sent is 64 bytes, then that IO request will require four 64-byte USB transactions.

The endpoints are spread across two interfaces so that when adjusting isochronous bandwidth consumption (via select interface calls), any pending bulk and/or interrupt transactions do not have to be terminated or resubmitted.

[Table 2.1](#) and the following example calculations illustrate recommended endpoint descriptor parameter values and how they are derived. The maximum packet sizes for control endpoints, interrupt endpoints and bulk endpoints may be any value allowed by the relevant USB core specifications. The maximum packet size for isochronous endpoints must be large enough to accommodate the maximum average traffic; they may be set to accommodate the largest HCI transfer, subject to the capabilities of the Controller. In [Table 2.1](#), the service interval is assumed to be 1 millisecond, for USB Full Speed (FS) frames.

**Examples:**

1. For a single 8 kHz audio channel with of 64 kb/s CVSD audio the Host may break HCI data into one USB transfers for each USB frame (e.g. 1 ms); in that case, the max packet size must be at least $11 = 3 \text{ octet HCI header} + 8 \text{ octets of data}$. To reduce HCI header overhead, a common strategy (see Table 2.2) is to consolidate 3 ms of data into a 27 octet HCI packet of $24 \text{ octets of data} + 3 \text{ octets of HCI header}$. These HCI packets can be exchanged as a single USB transfer on 3 ms intervals; this requires a max packet size of $27/3 = 9 \text{ octets per } 1 \text{ millisecond USB Full Speed Frame}$.
2. For two 8 kHz audio channels of 64 kb/s CVSD audio the Host may double the payload size of each HCI packet, which would be $3 \text{ octets HCI header} + 48 \text{ octets of data} = 51 \text{ octets}$. Posting these at 3 ms intervals requires $51/3 = 17 \text{ octets of maximum packet size}$.
3. For one 16 kHz audio channel the HCI packets need to be large enough to accommodate single octet (128 kb/s) or 2-octet (256 kb/s) encoding. On 3 ms intervals, these would have to be $(48+3)/3 = 17 \text{ octets}$ or $(96+3)/3 = 33 \text{ octets}$ respectively.
4. For one mSBC¹ compressed wideband audio channel the HCI packets will be $3 \text{ octets of HCI header} + 60 \text{ octets of data}$. If the Controller can support a maximum packet size of 63 (or 64) octets, an entire mSBC frame may be exchanged in one USB transaction. If the maximum packet size is smaller than 63 octets, additional latency will be introduced. The USB Host Controller will reserve bandwidth that will only be used when the Bluetooth Host or Controller has data to transfer.
5. For combinations of audio channels, if the max packet size can accommodate the largest HCI packets, there is also sufficient bandwidth for the audio channels that have smaller HCI packets. See example 4 above.

1. For information about modified Sub Band Codec (mSBC), see Hands-Free Profile [v1.6](#) or later



Table 2.1 outlines a recommended configuration for a USB Full Speed device.

Interface Number	Alternate Setting	Suggested Endpoint Address	Endpoint Type	Suggested Max Packet Size	USB Polling Interval/HCI Packet Interval
HCI commands					
<i>none</i>	<i>none</i>	0x00	Control	8/16/32/64	<i>none</i>
HCI events					
0	0	0x81	Interrupt (IN)	16	variable
ACL Data					
0	0	0x82	Bulk (IN)	32/64	variable
0	0	0x02	Bulk (OUT)	32/64	variable
No active voice channels (for USB compliance)					
1	0	0x83	Isoch (IN)	0	<i>none</i>
1	0	0x03	Isoch (OUT)	0	<i>none</i>
One 8 kHz voice channel with 8-bit encoding					
1	1	0x83	Isoch (IN)	9	1 ms/3 ms
1	1	0x03	Isoch (OUT)	9	1 ms/3 ms
Two 8 kHz voice channels with 8-bit encoding or one 8 kHz voice channel with 16-bit encoding					
1	2	0x83	Isoch (IN)	17	1 ms/3 ms
1	2	0x03	Isoch (OUT)	17	1 ms/3 ms
Three 8 kHz voice channels with 8-bit encoding					
1	3	0x83	Isoch (IN)	25	1 ms/3 ms
1	3	0x03	Isoch (OUT)	25	1 ms/3 ms

Table 2.1: USB firmware interface and endpoint settings



Interface Number	Alternate Setting	Suggested Endpoint Address	Endpoint Type	Suggested Max Packet Size	USB Polling Interval/HCI Packet Interval
Two 8 kHz voice channels with 16-bit encoding or one 16 kHz voice channel with 16-bit encoding					
1	4	0x83	Isoch (IN)	33	1 ms/3 ms
1	4	0x03	Isoch (OUT)	33	1 ms/3 ms
Three 8 kHz voice channels with 16-bit encoding or one 8 kHz voice channel with 16-bit encoding and one 16 kHz voice channel with 16-bit encoding					
1	5	0x83	Isoch (IN)	49	1 ms/3 ms
1	5	0x03	Isoch (OUT)	49	1 ms/3 ms
One mSBC voice channel					
1	6	0x83	Isoch (IN)	63	1 ms/7.5 ms
1	6	0x03	Isoch (OUT)	63	1 ms/7.5 ms

Table 2.1: USB firmware interface and endpoint settings

The following two examples are used to demonstrate the flow of data given the described endpoints. [Table 2.2](#) shows one voice channel and [Table 2.3](#) shows two voice channels. In both examples, the duration of the voice data is 3 ms per IO request and the encoding is 8 bits.

Time (ms)	USB data (header refers to HCI header) (Receive & Send from the Host)	Queued data (read / write)	Time (ms)	Air data	Amount Received/Sent (ms)
0	Receive 0 bytes Send 9 bytes (3 header, 6 data)	0 / 6	0	Send 0	0 / 0
		10 / 6	0.625	Receive 10	1.25 / 0
1	Receive 0 bytes Send 9 bytes (9 bytes HCI data)	10 / 15	1.25	Send 0	1.25 / 0
		20 / 15	1.875	Receive 10	2.50 / 0
2	Receive 0 bytes Send 9 bytes (9 bytes HCI data)	20 / 24	2.50	Send 0	2.50 / 0
		30 / 24	3.125	Receive 10	3.75 / 0
3	Receive 9 bytes (3 header, 6 data) Send 9 bytes (3 header, 6 data)	24 / 20	3.75	Send 10	3.75 / 1.25

Table 2.2: Example USB single-channel voice traffic data flow



Time (ms)	USB data (header refers to HCI header) (Receive & Send from the Host)	Queued data (read / write)	Time (ms)	Air data	Amount Received/Sent (ms)
4	Receive 9 bytes (9 bytes data) Send 9 bytes (9 bytes HCI data)	25 / 29	4.375	Receive 10	5.0 / 1.25
5	Receive 9 bytes (9 bytes data) Send 9 bytes (9 bytes HCI data)	16 / 28	5.0	Send 10	5.0 / 2.50
		26 / 28	5.625	Receive 10	6.25 / 2.50
6	Receive 9 bytes (3 header, 6 data) Send 9 bytes (3 header, 6 data)	20 / 24	6.25	Send 10	6.25 / 3.75
		30 / 24	6.875	Receive 10	7.5 / 3.75
7	Receive 9 bytes (9 bytes data) Send 9 bytes (9 bytes HCI data)	21 / 23	7.5	Send 10	7.5 / 5.0
8	Receive 9 bytes (9 bytes data) Send 9 bytes (9 bytes HCI data)	22 / 32	8.125	Receive 10	8.75 / 5.0
		22 / 22	8.75	Send 10	8.75 / 6.25
9	Receive 9 bytes (3 header, 6 data) Send 9 bytes (3 header, 6 data)	26 / 28	9.375	Receive 10	10.0 / 6.25
10	Receive 9 bytes (9 bytes data) Send 9 bytes (9 bytes HCI data)	17 / 27	10	Send 10	10.0 / 7.5
		27 / 27	10.625	Receive 10	11.25 / 7.5
11	Receive 9 bytes (9 bytes data) Send 9 bytes (9 bytes HCI data)	18 / 26	11.25	Send 10	11.25 / 8.75

Table 2.2: Example USB single-channel voice traffic data flow

Convergence is expected because the radio is sending out an average of eight bytes of voice data every millisecond and USB is sending eight bytes of voice data every millisecond.

Time (ms)	USB data (header refers to HCI header) (Receive & Send from the Host)	Queued data (read / write)	Time (ms)	Air data	Amount Received / Sent (ms)
0	Receive 0 bytes for Channel #1 Send 17 bytes (3 header, 14 data) for Channel #1	C1- 0/14 C2- 0/0	0	Send 0 for C1	C1- 0/0 C2- 0/0
		C1- 20/14 C2- 0/0	0.625	Receive 20 for C1	C1- 2.5/0 C2- 0/0

Table 2.3: Example USB dual-channel voice traffic data flow



Time (ms)	USB data (header refers to HCI header) (Receive & Send from the Host)	Queued data (read / write)	Time (ms)	Air data	Amount Received / Sent (ms)
1	Receive 0 bytes for Channel #1 Send 17 bytes (17 bytes HCI data) for Channel #1	C1- 20/31 C2- 0/0	1.25	Send 0 for C2	C1- 2.5/0 C2- 0/0
		C1- 20/31 C2- 20/0	1.875	Receive 20 for C2	C1- 2.5/0 C2- 2.5/0
2	Receive 0 bytes for Channel #1 Send 17 bytes (17 bytes HCI data) for Channel #1	C1- 20/28 C2- 20/0	2.50	Send 20 for C1	C1- 2.5/2.5 C2- 2.5/0
		C1- 40/28 C2- 0/0	3.125	Receive 20 for C1	C1- 5.0/2.5 C2- 2.5/0
3	Receive 0 bytes for Channel #2 Send 17 bytes (3 header, 14 data) for Channel #2	C1- 40/28 C2- 20/14	3.75	Send 0 for C2	C1- 5.0/2.5 C2- 2.5/0
4	Receive 0 bytes for Channel #2 Send 17 bytes (17 bytes HCI data) for Channel #2	C1- 40/28 C2- 40/31	4.375	Receive 20 for C2	C1- 5.0/2.5 C2- 5.0/0
5	Receive 0 bytes for Channel #2 Send 17 bytes (17 bytes HCI data) for Channel #2	C1- 40/8 C2- 40/48	5.0	Send 20 for C1	C1- 5.0/5.0 C2- 5.0/0
		C1- 60/8 C2- 40/48	5.625	Receive 20 for C1	C1- 7.5/5.0 C2- 5.0/0
6	Receive 17 bytes (3 header, 14 data) for Channel #1 Send 17 bytes (3 header, 14 data) for Channel #1	C1- 46/22 C2- 40/28	6.25	Send 20 for C2	C1- 7.5/5.0 C2- 5.0/2.5
		C1- 46/22 C2- 60/28	6.875	Receive 20 for C2	C1- 7.5/5.0 C2- 7.5/2.5
7	Receive 17 bytes (17 bytes data) for Channel #1 Send 17 bytes (17 bytes HCI data) for Channel #1	C1- 29/19 C2- 60/28	7.5	Send 20 for C1	C1- 7.5/7.5 C2- 7.5/2.5

Table 2.3: Example USB dual-channel voice traffic data flow



Time (ms)	USB data (header refers to HCI header) (Receive & Send from the Host)	Queued data (read / write)	Time (ms)	Air data	Amount Received / Sent (ms)
8	Receive 17 bytes (17 bytes data) for Channel #1 Send 17 bytes (17 bytes HCI data) for Channel #1	C1- 32/36 C2- 60/28	8.125	Receive 20 for C1	C1- 10/7.5 C2- 7.5/2.5
		C1- 32/36 C2- 60/8	8.75	Send 20 for C2	C1- 10/7.5 C2- 7.5/5.0
9	Receive 17 bytes (3 header, 14 data) for Channel #2 Send 17 bytes (3 header, 14 data) for Channel #2	C1- 32/36 C2- 54/22	9.375	Receive 20 for C2	C1- 10/7.5 C2- 10/5.0
10	Receive 17 bytes (17 bytes data) for Channel #2 Send 17 bytes (17 bytes HCI data) for Channel #2	C1- 32/16 C2- 37/39	10	Send 20 for C1	C1- 10/10 C2- 10/5.0
		C1- 52/16 C2- 37/39	10.625	Receive 20 for C1	C1- 12.5/10 C2- 10/5.0
11	Receive 17 bytes (17 bytes data) for Channel #2 Send 17 bytes (17 bytes HCI data) for Channel #2	C1- 52/16 C2- 20/36	11.25	Send 20 for C2	C1- 12.5/10 C2- 10/7.5

Table 2.3: Example USB dual-channel voice traffic data flow

2.1.2 [This section is no longer used]

2.2 CONTROL ENDPOINT EXPECTATIONS

Endpoint 0 is used to configure and control the USB device. Endpoint 0 will also be used to allow the Host to send HCI-specific commands to the Controller. HCI command packets should be sent with the following parameters:

- bmRequestType = 0x20 (Host-to-device class request, device as target)
- bRequest = 0x00
- wValue = 0x00
- wIndex = 0x00

Some Host devices on the market set bRequest to 0xE0. Hence, for historical reasons, if the Bluetooth Controller firmware receives a class request over this



endpoint, it should treat the packet as an HCI command packet regardless of the value of bRequest, wValue and wIndex.

All HCI Control packets delivered to Endpoint 0 are addressed in the Setup Data structure (See 9.3 of [1]). This structure contains fields which determine the destination within the device. The bmRequestType can be used to select the Device or the Interface. If Interface is selected, the wIndex parameter shall select the Index for the targeted Bluetooth Controller.

2.2.1 Single function Controller

For a single function Controller, the Host should address HCI command packets to the Device. HCI command packets should be sent with the following parameters:

bmRequestType = 0x20 (Host-to-device class request, device as target)
bRequest = 0x00
wValue = 0x00
wIndex = 0x00

Note: For historical reasons, if the Controller firmware receives a packet over this endpoint, it should treat the packet as an HCI command packet regardless of the value of bRequest, wValue and wIndex. Some Host devices set bRequest to 0xE0.

2.2.2 Controller function in a composite device

For a Controller included in a composite (multi-function) device, the Host should address HCI control packets to the Interface of the Controller. HCI command packets should be sent with the following parameters:

bmRequestType = 0x21 (Host-to-Interface class request, interface as target)
bRequest = 0x00
wValue = 0x00
wIndex = the actual Interface number within the composite device

If the Host system driver addresses USB requests containing HCI command packets to the Device (see Section 2.2.1) instead of to the Interface, the device implementation shall recognize these HCI command packets and correctly route them to the Controller function. This allows correct operation of the Controller function and avoids malfunctions in other functions contained in the composite device.

2.2.3 [This section is no longer used]



2.3 BULK ENDPOINTS EXPECTATIONS

Data integrity is a critical aspect for ACL data. This, in combination with bandwidth requirements, is the reason for using a bulk endpoint. Multiple 64-byte packets can be shipped per USB Frame (1 millisecond, full speed) or 512-byte packets per USB Microframe (125 microseconds, high-speed), across the bus.

Suggested bulk max packet size is 64 bytes for full-speed, or 512 bytes for high speed.

Bulk has the ability to detect errors and correct them. In order to avoid starvation, a flow control model similar to the shared endpoint model is recommended for the Controller.

2.4 INTERRUPT ENDPOINT EXPECTATIONS

An interrupt endpoint is used to deliver events in a predictable and timely manner. Event packets can be sent across USB with a known latency.

The interrupt endpoint should have an interval of 1 ms (full speed). For a Controller using USB high-speed the interrupt interval may have an interval of 125 microseconds.

The USB software and firmware requires no intimate knowledge of the events passed to the Controller.

2.5 ISOCHRONOUS ENDPOINTS EXPECTATIONS

These isochronous endpoints transfer synchronous data to and from the Controller of the radio.

Time is the critical aspect for this type of data. The USB firmware should transfer the contents of the data to the Controllers' synchronous FIFOs. If the FIFOs are full, the data should be overwritten with new data.

These endpoints have a one (1) ms interval, as required by Chapter 9 of the USB Specification, Versions 1.0 and 1.1.

The radio is capable of three (3) 64 kb/s voice channels (and can receive the data coded in different ways – 16-bit linear audio coding is the method that requires the most data). A suggested max packet size for this endpoint would be at least 64 bytes. (It is recommended that max packet sizes be on power of 2 boundaries for optimum throughput.) However, if it is not necessary to support three voice channels with 16-bit coding, 32 bytes could also be considered an acceptable max packet size.



3 CLASS CODE

A class code will be used that is specific to all USB Bluetooth devices. This will allow the proper driver stack to load, regardless of which vendor built the device.

3.1 BLUETOOTH CODES

The values shown in [Table 3.1](#) shall be used in the Device Descriptor for Bluetooth Controller devices with USB HCI transport.

Code	Label	Value	Description
Class	bDeviceClass	0xE0	Wireless Controller
Subclass	bDeviceSubClass	0x01	RF Controller
Protocol	bDeviceProtocol	0x01	Bluetooth Controller

Table 3.1: USB codes for Controllers

These values should also be used in the interface descriptors for the interfaces described in [Section 2.1](#) that apply to the Controller.

The bDeviceProtocol value 0x04 is previously used.

3.1.1 [This section is no longer used]

3.1.2 [This section is no longer used]

3.1.3 [This section is no longer used]

3.1.4 [This section is no longer used]



4 DEVICE FIRMWARE UPGRADE

Firmware upgrade capability is not a required feature. If implemented, the firmware upgrade should be compliant with the “Universal Serial Bus Device Class Specification for Device Firmware Upgrade” (version 1.1 or later) available on the USB Forum web site at <http://www.usb.org>.



5 LIMITATIONS

5.1 POWER SPECIFIC LIMITATIONS

Some USB Host Controllers in portable devices will not receive power while the system is in a sleep mode. For example, many PCs do not supply power to the USB port in system power states S3 or S4, as defined in ACPI. Hence, USB wake-up can only occur when the system is in S1 or S2. Furthermore, all connections and state information of the USB Bluetooth Controller will be lost in the system sleep state if power is lost necessitating re-initialization when the device returns to the active state.

Some USB Host Controllers further continually snoop memory when a device is attached to see if there is any work that needs to be done. The snoop is typically performed every 1 ms for USB full-speed devices. This prevents the processor from dropping into a low power state known as C3. Because the processor is not able to enter the C3 state, significant power consumption may occur. This is a major concern for battery-powered Hosts such as notebook computers. Some Host Controllers are capable of scheduling polling of USB devices at short intervals while snooping the Host's memory much less frequently. Systems with such Host Controllers may be able to greatly increase the percentage of time spent in the C3 state even if Bluetooth connections are maintained.

A feature called Link Power Management is also recommended for implementation by Bluetooth devices. It is described in an ECN (Engineering Change Notice) from the USB Implementers' Forum.

5.2 OTHER LIMITATIONS

Data corruption may occur across isochronous endpoints. Endpoints one and two may suffer from data corruption.

USB provides 16-CRC on all data transfers. The USB has a bit error rate of 10^{-13} .

Note: When a dongle is removed from the system, the radio will lose power (assuming this is a bus-powered device), which means that devices will lose connection.



6 BLUETOOTH COMPOSITE DEVICE IMPLEMENTATION

A USB Composite contains multiple independent functions. This section describes how to implement Bluetooth functions within a USB Composite device. This may require the use of Interface Association Descriptors (IAD) to aggregate multiple Interfaces. This also requires the Host to address USB requests to the specific Interface (see [1]).

6.1 CONFIGURATIONS

Bluetooth Controller functions may be included in a USB composite device:

- Controller in a multi-radio device
- Controller in a device also containing non-radio functions (e.g. memory)

6.2 USING USB INTERFACE ASSOCIATION DESCRIPTORS FOR A CONTROLLER FUNCTION

A Controller ([Vol 1] Part A, Section 2) shall contain at least two interfaces:

- HCI events and ACL data (3 endpoints)
- HCI SCO data (2 endpoints, multiple alternate settings)

and may also contain

- Device Firmware Upgrade (see [2])

When used in a USB Composite device, a Controller function shall use an IAD descriptor to associate the provided interfaces. The following is an example IAD for a Controller function without Device Firmware Upgrade:

- It would be contained within a Configuration Descriptor set.
- It would be followed by two Interface Descriptors and associated Endpoint Descriptors.

Offset	Field	Size	Value	Description
0	bLength	1	0x08	Size of this descriptor in octets
1	bDescriptorType	1	0x0B	INTERFACE ASSOCIATION DESCRIPTOR
2	bFirstInterface	1	number	Interface number of the first interface associated with this device

Table 6.1: Example Interface Association Descriptor used for a Controller function



Offset	Field	Size	Value	Description
3	bInterfaceCount	1	0x02	Number of contiguous interfaces associated with the function
4	bFunctionClass	1	0xE0	Wireless Controller
5	bFunctionSubClass	1	0x01	RF Controller
6	bFunctionProtocol	1	0x01	Bluetooth Controller
7	iFunction	1	Index	Pointer to a name string for this function, if any is provide

Table 6.1: Example Interface Association Descriptor used for a Controller function

6.3 [THIS SECTION IS NO LONGER USED]



7 REFERENCES

- [1] Universal Serial Bus specification revision 2.0:
http://www.usb.org/developers/docs/usb20_docs/
- [2] Universal Serial Bus Device Class specification for Device Firmware Upgrade version 1.1:
https://usb.org/sites/default/files/DFU_1.1.pdf

SECURE DIGITAL (SD) TRANSPORT LAYER

This Part describes the SD transport layer (between the Host and Controller). HCI command, event and data packets flow through this layer, but the layer does not decode them. The Bluetooth SD transport layer is defined in a document owned and maintained by the Secure Digital Association. Information regarding that document is described herein.



CONTENTS

1	Introduction	1673
2	Goals	1674
	2.1 Hardware goals	1674
	2.2 Software goals	1674
	2.3 Configuration goals.....	1675
	2.4 Configuration for multiple Controllers	1675
3	Physical interface documents	1676
4	Communication	1677
	4.1 Overview.....	1677
Appendix A Acronyms and Abbreviations		1678
Appendix B Related Documents		1679
Appendix C Tests		1680
	C.1 Test suite structure	1680



1 INTRODUCTION

This document discusses the requirements of the Secure Digital (SD) interface for Bluetooth hardware. Readers should be familiar with SD, SD design issues, and the overall Bluetooth architecture. The reader should also be familiar with the Bluetooth Host Controller interface.

The SD Bluetooth Protocol is documented in the SDIO Card Type-A Specification for Bluetooth, which is owned and maintained by the Secure Digital Association (SDA). The full specification is available to members of the SDA that have signed all appropriate SD NDA and license requirements. The SDA also makes a Non-NDA version available, the Simplified Version of: SDIO Card Type-A Specification for Bluetooth. There are no changes to the SDA document to comply with the requirements of the Bluetooth SIG.



2 GOALS

2.1 HARDWARE GOALS

The Bluetooth SD transport interface specification is designed to take advantage of both the SD Physical Transport bus and the packet orientation of the Bluetooth HCI protocol. Thus, all data is transferred in blocks as packets. Since the block size used on the SD bus may be smaller than the HCI packet, a segmentation and recombination protocol is defined.

SDIO [2] provides different data rate options, including different bit path widths and clock rates. Systems using SDIO should choose options that provide sufficient bandwidth to support the needs of the Controller, both for device control (HCI commands and events) and for data (ACL, SCO).

The specification supports an SDIO-connected Controller.

2.2 SOFTWARE GOALS

The Bluetooth SD transport interface specification is designed for non-embedded solutions. It is assumed that the Host software does not necessarily have a priori knowledge of the SD Bluetooth device.

The interface is not designed for embedded applications where much of the information passed via the interface is known in advance.

The SDA also defines a Bluetooth interface for embedded applications where the Controller contains protocol layers above HCI (RFCOMM, SDP etc.). This specification is called SDIO Card Type-B Specification for Bluetooth. Information about this specification can be obtained from the SDA:

<https://www.sdcard.org>



2.3 CONFIGURATION GOALS

The SDIO Card Specification [2] defines SDIO Standard Function Codes in Table 6-4:

- 0x2 This function supports the SDIO Type-A for Bluetooth standard interface
- 0x3 This function supports the SDIO Type-B for Bluetooth standard interface

The SDIO Card Type-A Specification for Bluetooth [3] specifies how to implement a Controller. Table 2.1 defines Service ID codes to route HCI messages (codes 0x01 to 0x05).

SDIO Type-A service ID	Controller
0x00	reserved for future use
0x01	HCI Command packet
0x02	ACL data
0x03	SCO data
0x04	HCI Event packet
0x05	HCI ISO Data packet
All other values	Reserved as per [3]

Table 2.1: Bluetooth SDIO Controller Service ID codes

2.4 CONFIGURATION FOR MULTIPLE CONTROLLERS

An SDIO device may contain one or more Controllers as defined in [3]. These Controller functions shall conform to the requirements of [2] section 6.12.



3 PHYSICAL INTERFACE DOCUMENTS

This specification references the SD SDIO Card Type-A Specification for Bluetooth. This SDA document defines the Bluetooth HCI for all SD devices that support an HCI level interface. Any SD Bluetooth device claiming compliance with the SD Bluetooth Transport must support this interface and additionally adhere to its device type specification, which is set by the Secure Digital Association. The SDIO Card Type-A Specification for Bluetooth document is based on the SDIO Card Specification, which in turn is based on the SD Memory Card Specification: Part 1 Physical Layer Specification. All of these documents are copyrighted by the SDA and are available ONLY to SDA member companies that have signed the appropriate NDA documents with the SDA. As an introduction to the SD Bluetooth Type A specification, the SDA has created 'Simplified' versions of each of these documents. The simplified versions do not contain enough information to fully implement a device, however they do contain enough information to convey the structure and intent of the specifications.

Applicable SDA Documents available to members of the SDA:

SD Memory Card Specification: Part 1 Physical Layer Specification

SDIO Card Specification

SDIO Card Type-A Specification for Bluetooth.

Applicable Simplified SDA Documents available to non-members and members of the SDA:

Simplified Version of: SD Memory Card Specification: Part 1 Physical Layer Specification

Simplified Version of: SDIO Card Specification:

Simplified Version of: SDIO Card Type-A Specification for Bluetooth

More information on the Secure Digital Association and the SD specifications can be found at the SDA web site at <https://www.sdcard.org>.

4 COMMUNICATION

4.1 OVERVIEW

Figure 4.1 below is a diagram of the communication interface between a Bluetooth SD device and the Bluetooth Host protocol stack. Modifications to this diagram might be needed for operating systems that do not support a miniport model:

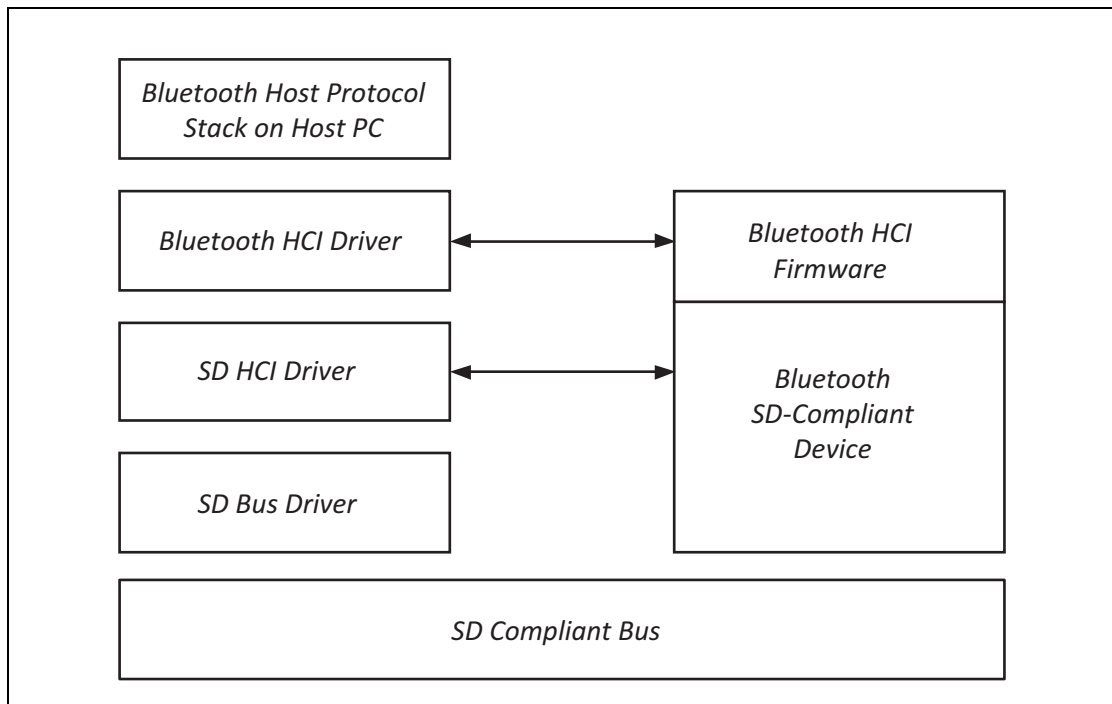


Figure 4.1: SD communication diagram



APPENDIX A ACRONYMS AND ABBREVIATIONS

Acronym	Description
HCI	Host Controller interface
NDA	Non-Disclosure Agreement
OS	Operating System
SD	Secure Digital
SDA	Secure Digital Association
SDIO	Secure Digital Input/Output
SDP	Service Discovery protocol
SIG	Special Interest Group

Table A.1: Acronyms and abbreviations



APPENDIX B RELATED DOCUMENTS

A) Applicable SDA Documents available to members of the SDA:

- [1] A.1) SD Memory Card Specification: Part 1 Physical Layer Specification
- [2] A.2) SDIO Card Specification
- [3] A.3) SDIO Card Type-A Specification for Bluetooth
- [4] A.4) SDIO Card Type-B Specification for Bluetooth
- [5] A.5) SDIO Card Physical Test Specification
- [6] A.5) SDIO Host Physical Test Specification
- [7] A.6) SD Bluetooth Type A Test Specification

These documents are available to members of the SDA in the “Members Only” section of the SDA web site (<https://members.sdcard.org/members>). See <https://www.sdcard.org/join/index.html> for information on joining the SDA.

B) Applicable Simplified SDA Documents available to non-members and members of the SDA:

- B.1) Simplified Version of: SD Memory Card Specification:
Part 1 Physical Layer Specification
<https://www.sdcard.org/downloads/pls/>
- B.2) Simplified Version of: SDIO Card Specification
<https://www.sdcard.org/downloads/pls/>
- B.3) Simplified Version of: SDIO Card Type-A Specification for Bluetooth
<https://www.sdcard.org/downloads/pls/>

APPENDIX C TESTS

The SDA has defined formal test procedures for SDIO Type A Bluetooth cards (Controller) and Hosts. It is expected that both Controllers and Hosts will comply with all test requirements set forth by the SDA in accordance with the rules of the SDA. The Bluetooth SIG does not require any formal testing to comply with SIG requirements. The test document names are listed in [Appendix B](#).

C.1 TEST SUITE STRUCTURE

There are two types of tests defined for the HCI SD Transport Layer:

1. Functional Tests
2. Protocol Tests

Tests of both types are defined for both the Host and Controller.

The purpose of the functional tests is to verify that the SD Bluetooth Type A Specification, SDIO Standard and SD Physical Standard have been implemented according to the specifications. These tests and the test environment for these tests are defined in documents provided by the SDA.

The purpose of the protocol tests are to verify that the Bluetooth Controller SD implementation or the Host implementation are according to the SD Bluetooth Type A specification.

The test environment for the protocol tests consists of the tester and the Device Under Test (DUT) as illustrated in [Figure C.1](#) below.

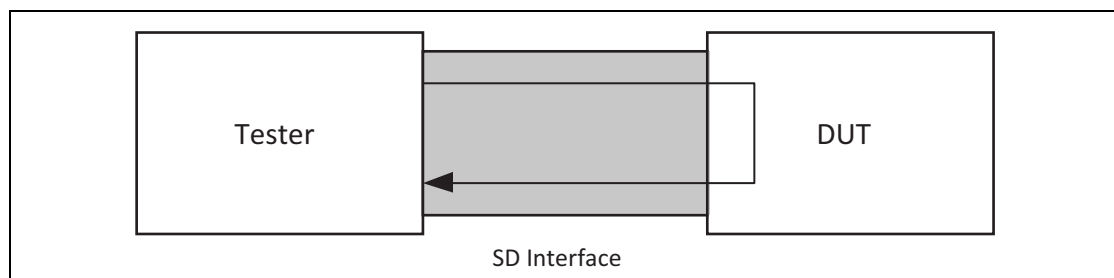


Figure C.1: Protocol test environment

The tester is typically a PC with an SD interface. The DUT is placed into local loopback mode and standard HCI commands are used to drive the tests. The test results are verified in the tester.

Host Controller Interface

Part D

THREE-WIRE UART TRANSPORT LAYER

This Part describes the Three-Wire UART transport layer (between the Host and Controller). HCI command, event, and data packets flow through this layer, but the layer does not decode them.



CONTENTS

1	General	1684
2	Overview	1685
3	Slip layer	1686
	3.1 Encoding a packet	1686
	3.2 Decoding a packet	1686
4	Packet header	1688
	4.1 Sequence Number	1688
	4.2 Acknowledge Number	1689
	4.3 Data Integrity Check Present	1689
	4.4 Reliable Packet	1689
	4.5 Packet Type	1689
	4.6 Payload Length	1690
	4.7 Packet Header Checksum	1690
5	Data Integrity Check	1691
	5.1 16-bit CCITT-CRC	1691
6	Reliable packets	1692
	6.1 Header Checksum error	1692
	6.2 Slip Payload Length error	1692
	6.3 Data Integrity Check error	1692
	6.4 Out Of Sequence Packet error	1692
	6.5 Acknowledgment	1693
	6.6 Resending packets	1693
	6.7 Example reliable packet flow	1693
7	Unreliable packets	1696
	7.1 Unreliable packet header	1696
	7.2 Unreliable packet error	1696
8	Link Establishment	1697
	8.1 Uninitialized state	1698
	8.2 Initialized state	1698
	8.3 Active state	1698
	8.4 Sync message	1699
	8.5 Sync Response message	1699
	8.6 Config message	1699
	8.7 Config Response message	1700
	8.8 Configuration Field	1700
	8.8.1 Configuration messages	1701
	8.8.2 Sliding window size	1701
	8.8.3 Level of Data Integrity Check	1701



- 8.8.4 Out of Frame Software Flow Control 1702
- 8.8.5 Version Number 1702
- 9 Low power 1703**
 - 9.1 Wakeup message 1703
 - 9.2 Woken message 1704
 - 9.3 Sleep message 1704
- 10 Out of Frame Control 1705**
 - 10.1 Software Flow Control 1705
- 11 Hardware configuration 1706**
 - 11.1 Wires 1706
 - 11.1.1 Transmit & receive 1706
 - 11.1.2 Ground 1706
 - 11.2 Hardware flow 1706
 - 11.2.1 RTS & CTS 1706
- 12 Recommended parameters 1707**
 - 12.1 Timing parameters 1707
 - 12.1.1 Acknowledgment of packets 1707
 - 12.1.2 Resending reliable packets 1707
- 13 References 1708**



1 GENERAL

The HCI Three-Wire UART Transport Layer makes it possible to use the Bluetooth HCI over a serial interface between two UARTs. The HCI Three-Wire UART Transport Layer assumes that the UART communication may have bit errors, overrun errors or burst errors. See also [Part A, UART Transport Layer](#).



2 OVERVIEW

The HCI Three-Wire UART Transport Layer is a connection based protocol that transports HCI commands, events, ACL and Synchronous packets between the Host and the Controller. Packet construction is in done in two steps. First, it adds a packet header onto the front of every HCI packet which describes the payload. Second, it frames the packets using a SLIP protocol. Finally, it sends this packet over the UART interface.

The SLIP layer converts an unreliable octet stream into an unreliable packet stream. The SLIP layer places start and end octets around the packet. It then changes all occurrences of the frame start or end octet in the packet to an escaped version.

The packet header describes the contents of the packet, and if this packet needs to be reliably transferred, a way of identifying the packet uniquely, allowing for retransmission of erroneous packets.

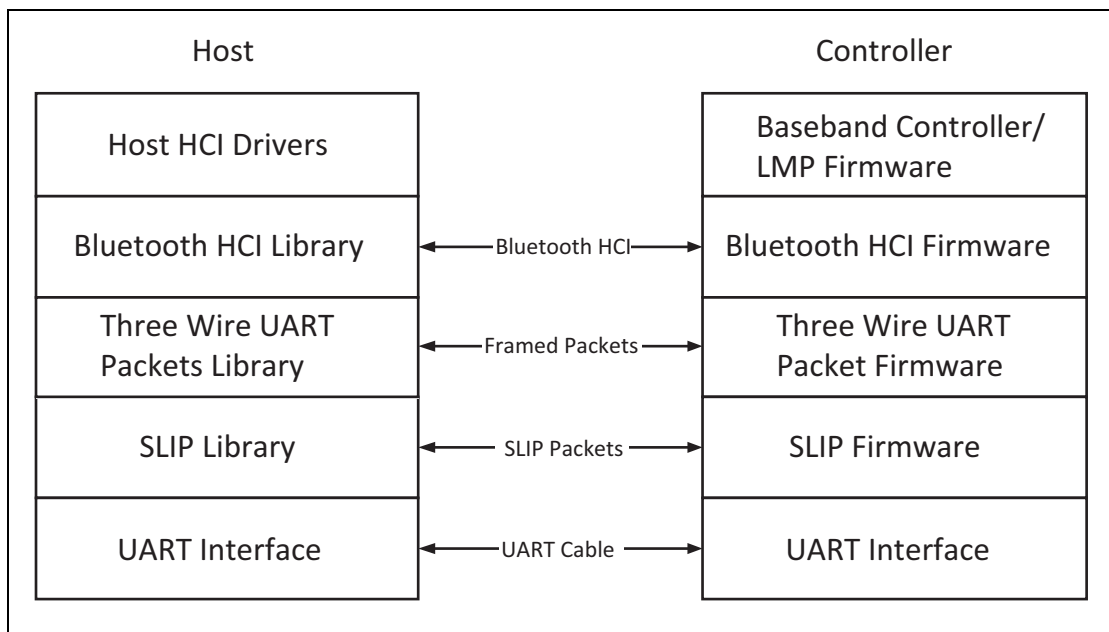


Figure 2.1: The relationship between the Host and the Controller



3 SLIP LAYER

The SLIP layer places packet framing octets around each packet being transmitted over the Three-Wire UART Transport Layer. This delimits the packets and allows packet boundaries to be detected if the receiver loses synchronization. The SLIP layer is based upon the RFC 1055 Standard [1].

3.1 ENCODING A PACKET

The SLIP layer performs octet stuffing on the octets entering the layer so that specific octet codes which may occur in the original data do not occur in the resultant stream.

The SLIP layer places octet 0xC0 at the start and end of every packet it transmits. Any occurrence of 0xC0 in the original packet is changed to the sequence 0xDB 0xDC before being transmitted. Any occurrence of 0xDB in the original packet is changed to the sequence 0xDB 0xDD before being transmitted. These sequences, 0xDB 0xDC and 0xDB 0xDD are SLIP escape sequences. All SLIP escape sequences start with 0xDB. All SLIP escape sequences are listed in [Table 3.1](#).

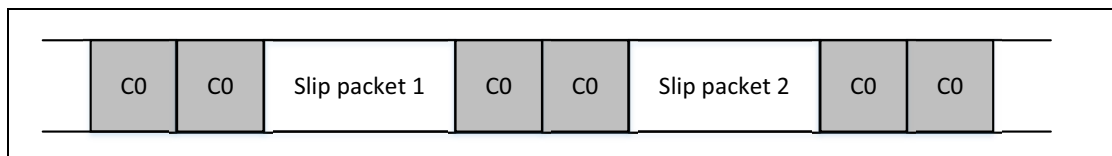


Figure 3.1: SLIP packets with 0xC0 at the start and end of each packet

3.2 DECODING A PACKET

When decoding a SLIP stream, a device will first be in an unknown state, not knowing if it is at the start of a packet or in the middle of a packet. The device shall therefore discard all octets until it finds a 0xC0. If the 0xC0 is followed immediately by a second 0xC0, then the device will discard the first 0xC0 as it was presumably the end of the last packet, and the second 0xC0 was the start of the next packet. The device shall then be in the decoding packet state. It can then decode the octets directly changing any SLIP escape sequences back into their unencoded form. When the device decodes the 0xC0 at the end of the packet, it will calculate the length of the SLIP packet, and pass the packet data into the packet decoder. The device will then seek the next packet. If the device does not receive an 0xC0 for the start of the next packet, then all octets up to and including the next 0xC0 will be discarded.



SLIP Escape Sequence	Unencoded form	Notes
0xDB 0xDC	0xC0	
0xDB 0xDD	0xDB	
0xDB 0xDE	0x11	Only valid when OOF Software Flow Control is enabled
0xDB 0xDF	0x13	Only valid when OOF Software Flow Control is enabled

Table 3.1: SLIP escape sequences



4 PACKET HEADER

Every packet that is sent over the Three-Wire UART Transport Layer has a packet header. It also has an optional Data Integrity Check at the end of the payload. The Transport Layer does not support packet segmentation and reassembly. Each transport packet will contain at most one higher layer packet.

A packet consists of a Packet Header of 4 octets, a Payload of 0 to 4095 octets, and an optional Data Integrity Check of 2 octets. See [Figure 4.1](#).

The packet header consists of a Sequence Number of 3 bits, an Acknowledge Number of 3 bits, a Data Integrity Check Present bit, a Reliable Packet bit, a Packet Type of 4 bits, a Payload Length of 12 bits and an 8 bit Header Checksum. See [Figure 4.2](#).

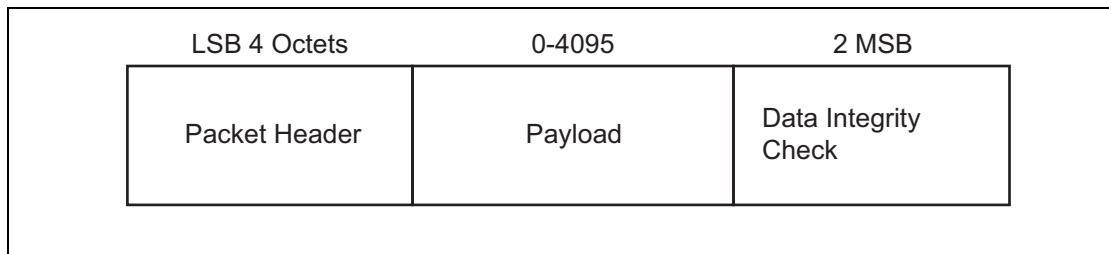


Figure 4.1: Packet format

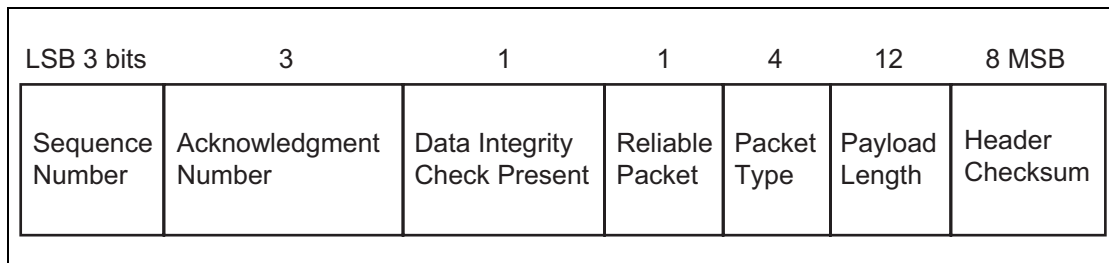


Figure 4.2: Packet header format

4.1 SEQUENCE NUMBER

For unreliable packets this field shall be set to 0 on transmit and ignored on receive.

Each new reliable packet shall be assigned a sequence number which is equal to the sequence number of the previous reliable packet plus one *mod* eight. A packet shall use the same sequence number each time it is retransmitted.



4.2 ACKNOWLEDGE NUMBER

The acknowledge number shall be set to the sequence number of the next reliable packet this device expects to receive. See [Section 6.4](#).

4.3 DATA INTEGRITY CHECK PRESENT

If a 16 bit CCITT-CRC Data Integrity Check is appended to the end of the payload, this bit shall be set to 1.

4.4 RELIABLE PACKET

If this bit is set to 1, then this packet is reliable. This means that the sequence number field is valid, and the receiving end shall acknowledge its receipt. If this bit is set to 0, then this packet is unreliable.

4.5 PACKET TYPE

There are five kinds of HCI packets that can be sent via the Three-Wire UART Transport Layer; these are HCI Command packet, HCI Event packet, HCI ACL Data packet, HCI Synchronous Data packet, and HCI ISO Data packet (see [\[Vol 4\] Part E, Section 5.4](#)). HCI Command packets can be sent only to the Controller, HCI Event packets can be sent only from the Controller, and HCI ACL/Synchronous/ISO Data packets can be sent both to and from the Controller.

HCI packet coding does not provide the ability to differentiate the five HCI packet types. Therefore, the Packet Type field is used to distinguish the different packets. The acceptable values for this Packet Type field are given in [Table 4.1](#).

HCI Packet Type	Packet Type
Acknowledgment packets	0
HCI Command packet	1
HCI ACL Data packet	2
HCI Synchronous Data packet	3
HCI Event packet	4
HCI ISO Data packet	5
Vendor Specific	14
Link Control packet	15
Reserved for future use	All other values

Table 4.1: Three-Wire UART packet type



HCI Command packets, HCI ACL Data packets, HCI Event packets, and HCI ISO Data packets are always sent as reliable packets. HCI Synchronous Data packets are sent as unreliable packets unless HCI Synchronous Flow Control is enabled, in which case they are sent as reliable packets.

In addition to the five HCI packet types, other packet types are defined. One packet type is defined for pure Acknowledgment packets, and one additional packet type is to support link control. One packet type is made available to vendors for their own use. All other Three-Wire UART Packet Types are reserved for future use.

4.6 PAYLOAD LENGTH

The payload length is the number of octets in the payload data. This does not include the length of the packet header, or the length of the optional data integrity check.

4.7 PACKET HEADER CHECKSUM

The packet header checksum validates the contents of the packet header against corruption. This is calculated by setting the Packet Header Checksum to a value such that the two's-complement sum *mod* 256 of the four octets of the Packet Header including the Packet Header Checksum is 0xFF.



5 DATA INTEGRITY CHECK

The Data Integrity Check field is optional. It can be used to ensure that the packet is valid. The Data Integrity Check field is appended onto the end of the packet. Each octet of the Packet Header and Packet Payload is used to compute the Data Integrity Check.

5.1 16-BIT CCITT-CRC

The CRC is defined using the CRC-CCITT generator polynomial

$$g(D) = D^{16} + D^{12} + D^5 + 1$$

(see [Figure 5.1](#))

The CRC shift register is filled with 1s before calculating the CRC for each packet. Octets are fed through the CRC generator least significant bit first.

The most significant parity octet is transmitted first (where the CRC shift register is viewed as shifting from the least significant bit towards the most significant bit). Therefore, the transmission order of the parity octets within the CRC shift register is as follows:

$x[8]$ (first), $x[9], \dots, x[15]$, $x[0]$, $x[1], \dots, x[7]$ (last)

where $x[15]$ corresponds to the highest power CRC coefficient and $x[0]$ corresponds to the lowest power coefficient.

The switch S shall be set in position 1 while the data is shifted in. After the last bit has entered the LFSR, the switch shall be set in position 2, and the registers contents shall be read out for transmission.

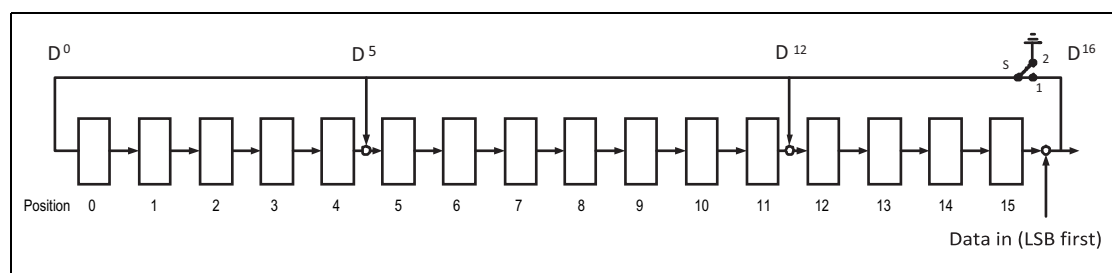


Figure 5.1: The LFSR circuit generating the CRC



6 RELIABLE PACKETS

To allow the reliable transmission of packets through the transport, a method needs to be defined to recover from packet errors. The Host or Controller can detect a number of different errors in the packet.

6.1 HEADER CHECKSUM ERROR

The header of the packet is protected by a Packet Header Checksum. If the two's-complement sum *mod* 256 of the four octets of the header is not 0xFF, then the packet has an unrecoverable error and all information contained in the packet shall be discarded.

6.2 SLIP PAYLOAD LENGTH ERROR

The length of the SLIP packet shall be checked against the Packet Payload Length. If the Data Integrity Check Present bit is set to 1, then the SLIP packet length should be 6 + Packet Payload Length. If the Data Integrity Check Present bit is set to 0, then the SLIP packet length should be 4 + Packet Payload Length. If this check fails, then all information contained in the packet shall be discarded. The SLIP packet length is the length of the data received from the SLIP layer after the SLIP framing, and SLIP escape codes have been processed.

6.3 DATA INTEGRITY CHECK ERROR

The packet may have a Data Integrity Check at the end of the payload. This is controlled by the Data Integrity Check Present bit in the header. If this is set to 1, then the Data Integrity Check at the end of the payload is checked. If this is different from the value expected, then the packet shall be discarded. If the link is configured to not use data integrity checks, and a packet is received with the Data Integrity Check Present bit set to 1, then the packet shall be discarded.

6.4 OUT OF SEQUENCE PACKET ERROR

Each device keeps track of the sequence number it expects to receive next. This will be one more than the sequence number of the last successfully received reliable packet, *mod* eight. If a reliable packet is received which has the expected sequence number, then this packet shall be accepted.

If a reliable packet is received which does not have the expected sequence number, then the packet shall be discarded.



6.5 ACKNOWLEDGMENT

Whenever a reliable packet is received, an acknowledgment shall be generated.

If a packet is available to be sent, the Acknowledgment Number of that packet shall be updated to the latest expected sequence number.

If a requirement to send an acknowledgment value is pending, but there are no other packets available to be sent, the device may send a pure Acknowledgment packet. This is an Unreliable packet, with the Packet Type set to 0, Payload Length set to 0, and the Sequence Number set to 0.

The maximum number of reliable packets that can be sent without acknowledgment defines the sliding window size of the link. This is configured during link establishment. See Sections [8.6](#), [8.7](#) and [8.8](#).

6.6 RESENDING PACKETS

A Reliable packet shall be resent until it is acknowledged. Devices should refrain from resending packets too quickly to avoid saturating the link with retransmits. See [Section 12.1.2](#).

6.7 EXAMPLE RELIABLE PACKET FLOW

[Figure 6.1](#) shows the transmission of reliable packets between two devices. Device A sends a packet with a Sequence Number of 6, and an Acknowledgment Number of 3. Device B receives this packet correctly, so needs to generate an acknowledgment. Device B then sends a packet with Sequence Number 3 with its Acknowledgment Number set to the next expected packet Sequence Number from Device A of 7.

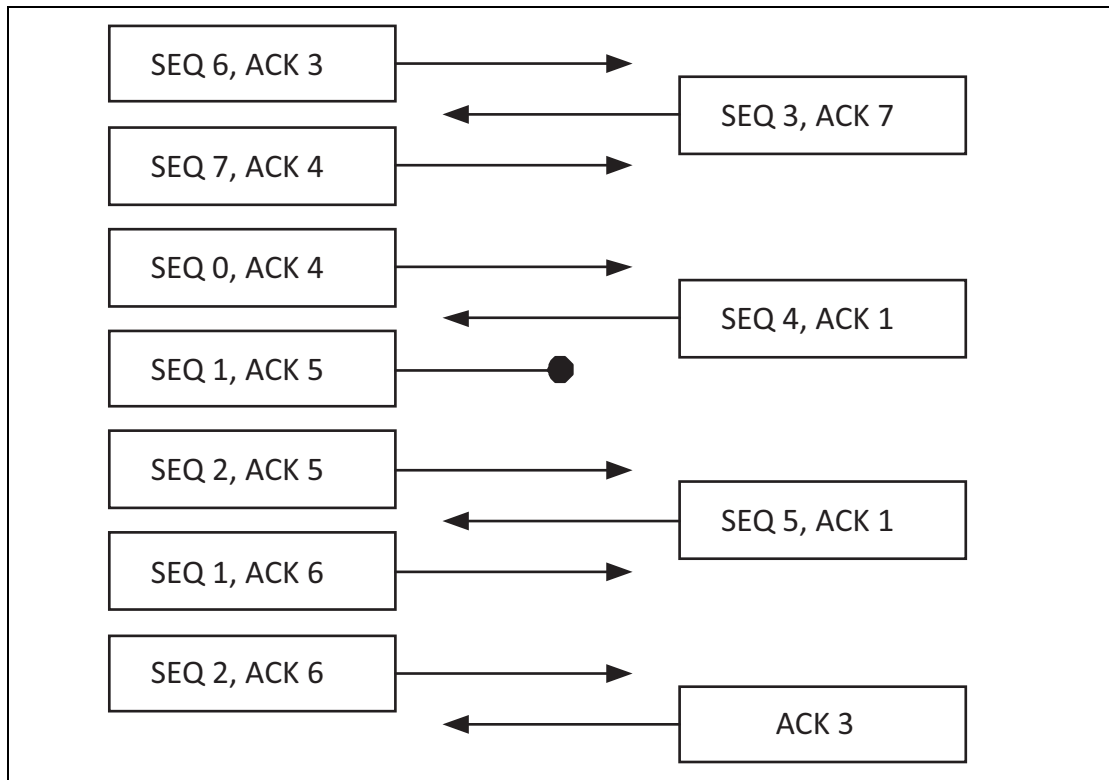


Figure 6.1: Message diagram showing transmission of reliable packets

Device A receives a packet with Sequence Number 3 and an Acknowledgment Number of 7. Device A was expecting this sequence number so needs to generate an acknowledgment. The Acknowledgment Number of 7 is one greater than the last Sequence Number that was sent, meaning that this packet was received correctly (see [Section 6.6](#)).

Device A sends two packets, Sequence Numbers 7 and 0. Both packets have the Acknowledgment Number of 4, the next sequence number it expects from Device B. Device B receives the first correctly, and increments its next expected sequence number to 0. It then receives the second packet correctly, and increments the next expected sequence number to 1.

Device B sends a packet with Sequence Number 4, and the Acknowledgment Number of 1. This will acknowledge both of the previous two packets sent by Device A.

Device A now sends two more packets, Sequence Numbers 1 and 2. Unfortunately, the first packet is corrupted. Device B receives the first packet, and discovers the error, so discards this packet (see [Section 6.1](#), [Section 6.2](#) or [Section 6.3](#)). It generates an acknowledgment of this erroneously received reliable packet. Device B then receives the second packet. This is received out of sequence, as it is currently expecting Sequence Number 1, but has received Sequence Number 2 (see [Section 6.4](#)). Again, it generates an acknowledgment.



Device B sends another packet with Sequence Number 5. It is still expecting a packet with Sequence Number 1 next, so the Acknowledgment Number is set to 1. Device A receives this, and accepts this packet.

Device A has not had either of its last two packets acknowledged, so it resends them (see [Section 6.6](#)) and updates the Acknowledgment Number of the original packets that were sent (see [Section 6.5](#)). The Sequence Numbers of these packets stay the same (see [Section 4.1](#)).

Device B receives these packets correctly, and schedules the sending of an acknowledgment. Because Device B doesn't have any data packets that need to be sent, it sends a pure Acknowledgment packet (see [Section 6.5](#)).



7 UNRELIABLE PACKETS

To allow the transmission of unreliable packets through the transport, the following method shall be used.

7.1 UNRELIABLE PACKET HEADER

An unreliable packet header always has the Reliable Packet bit set to 0. The sequence number shall be set to 0. The Data Integrity Check Present, Acknowledgment Number, Packet Type, Payload Length and Packet Header Checksum shall all be set the same as a Reliable packet.

7.2 UNRELIABLE PACKET ERROR

If a packet that is marked as unreliable and the packet has an error, then the packet shall be discarded.



8 LINK ESTABLISHMENT

Before any packets except Link Control packets can be sent, the Link Establishment procedure shall be performed. This ensures that the sequence numbers are initialized correctly and that the two sides are using the same baud rate, allows detection of peer reset, and allows the device to be configured.

Link Establishment is defined by a state machine with three states: Uninitialized, Initialized and Active. When the transport is first started, the link is in the Uninitialized State. There are four messages that are defined: SYNC, SYNC RESPONSE, CONFIG and CONFIG RESPONSE. All four link establishment messages shall be sent with the Data Integrity Present flag set to 0.

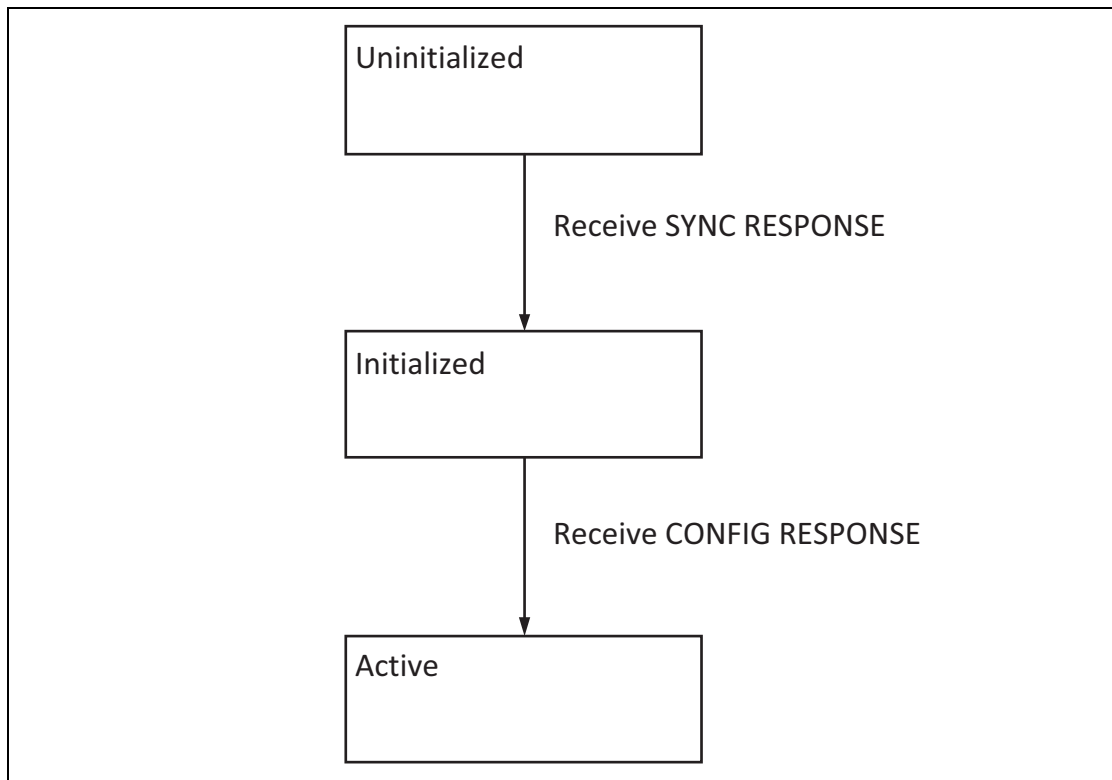


Figure 8.1: Link Establishment state diagram



8.1 UNINITIALIZED STATE

In the Uninitialized State a device periodically¹ sends SYNC messages. If a SYNC message is received, the device shall respond with a SYNC RESPONSE message. If a SYNC RESPONSE message is received, the device shall move to the Initialized State. In the Uninitialized State only SYNC and SYNC RESPONSE messages are valid, all other messages that are received shall be discarded. If an invalid packet is received, the device shall respond with a SYNC message. The device shall not send any acknowledgment packets in the Uninitialized State².

In the Uninitialized State the Controller may wait until it receives a SYNC message before sending its first SYNC message. This allows the Host to control when the Controller starts to send data.

The SYNC message can be used for automatic baud rate detection. It is assumed that the Controller shall stay on a single baud rate, while the Host could hunt for the baud rate. Upon receipt of a SYNC RESPONSE message, the Host can assume that the correct baud rate has been detected.

8.2 INITIALIZED STATE

In the Initialized State a device periodically sends CONFIG messages. If a SYNC message is received, the device shall respond with a SYNC RESPONSE message. If a CONFIG message is received, the device shall respond with a CONFIG RESPONSE message. If a CONFIG RESPONSE message is received, the device will move to the Active State. All other messages that are received shall be ignored.

8.3 ACTIVE STATE

In the Active State, a device can transfer higher layer packets through the transport. If a CONFIG message is received, the device shall respond with a CONFIG RESPONSE message. If a CONFIG RESPONSE message is received, the device shall discard this message.

If a SYNC message is received while in the Active State, it is assumed that the peer device has reset. The local device should therefore perform a full reset of the upper stack, and start Link Establishment again at the Uninitialized State.

Upon entering the Active State, the first packet sent shall have its SEQ and ACK numbers set to zero.

-
1. During link establishment, various messages are sent periodically. It is suggested to send 4 messages per second.
 2. Any packet that was erroneous would normally be acknowledged, as the recipient does not know if the packet was a reliable packet or not. The recipient cannot do this in the Uninitialized State, as it is possible to receive corrupt data while in the Uninitialized state.



8.4 SYNC MESSAGE

The SYNC message is an unreliable message sent with the Packet Type of 15 and a Payload Length of 2.

The payload is composed of the octet pattern 0x01 0x7E¹.

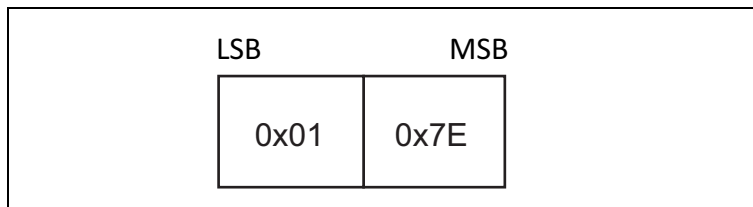


Figure 8.2: Sync message format

8.5 SYNC RESPONSE MESSAGE

The SYNC RESPONSE message is an unreliable message sent with the Packet Type of 15 and a Payload Length of 2. The payload is composed of the octet pattern 0x02 0x7D.

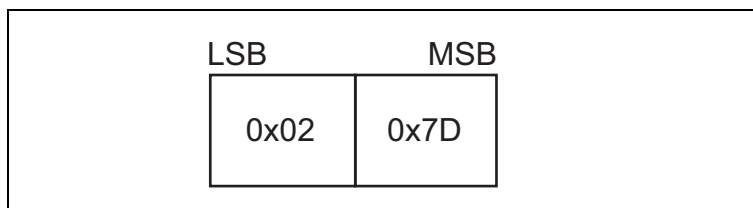


Figure 8.3: Sync Response message format

8.6 CONFIG MESSAGE

The CONFIG message is an unreliable message sent with the Packet Type of 15 and a Payload Length of 2 plus the size of the Configuration Field. The payload is composed of the octet pattern 0x03 0xFC and the Configuration Field.

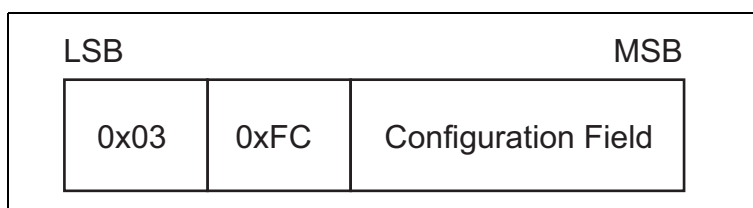


Figure 8.4: Configuration message format

1. The second octet for all Link Control packets equals the least significant 7 bits of the first octet, inverted, with the most significant bit set to ensure even parity.



8.7 CONFIG RESPONSE MESSAGE

The CONFIG RESPONSE message is an unreliable message sent with the Packet Type of 15 and a Payload Length of 2 plus the size of the Configuration Field. The payload is composed of the octet pattern 0x04 0x7B and the Configuration Field.

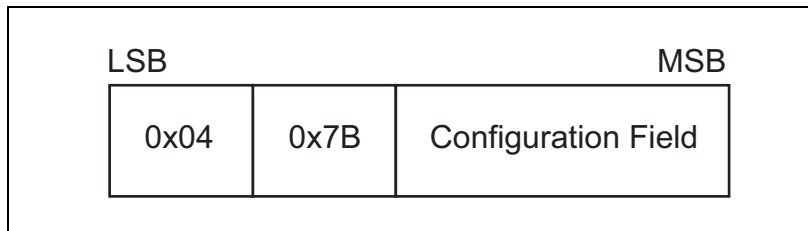


Figure 8.5: Configuration Response message format

8.8 CONFIGURATION FIELD

The Configuration Field contains the Version Number, Sliding Window Size, the Data Integrity Check Type, and if Out Of Frame (OOF) Software Flow Control is allowed. The format of this field is specified in [Figure 8.6](#).

The Configuration Field in a CONFIG message sent by the Host determines what the Host can transmit and accept. The Configuration Field in a CONFIG RESPONSE message sent by the Controller determines what the Host and Controller shall transmit and can expect to receive.

The Controller sends CONFIG messages without a Configuration Field. The Host sends CONFIG RESPONSE messages without a Configuration Field.

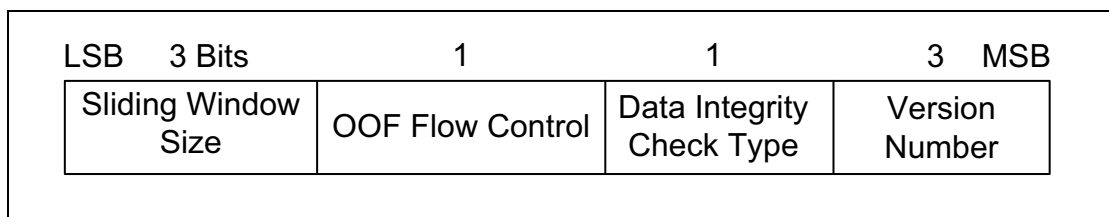


Figure 8.6: Configuration Field detail

To allow for future extension of the Configuration Field, the size of the message determines the number of significant Configuration Octets in the payload. Future versions of the specification may use extra octets. Any bits that are not included in the message shall be set to 0. Any bits that are not defined are reserved for future use.

A device shall not change the values if sends in the Configuration Field during Link Establishment.



8.8.1 Configuration messages

The CONFIG – CONFIG RESPONSE message sequence configures the link in both directions. Until a CONFIG RESPONSE message is received only unreliable Link Establishment messages may be sent. Once CONFIG RESPONSE message has been received all other packet types may be sent, and received messages passed up to the Host.

The CONFIG and CONFIG RESPONSE messages contain a set of options for both devices on the link. The Host sends a CONFIG message with the set of options that the Host would like to use. The Controller responds with a CONFIG RESPONSE message with the set of options that the Host and the Controller will use. This means that the Controller is in full control of the set of options that will be used for all messages sent by both the Host and Controller.

8.8.2 Sliding window size

This is the maximum number of reliable packets a sender of the CONFIG message can send without requiring an acknowledgment. The value of this field shall be in the range one to seven. The value in the CONFIG RESPONSE message shall be less than or equal to the value in the CONFIG message. For example, the Host may suggest a window size of five in its CONFIG message and the Controller may respond with a value of three in its CONFIG RESPONSE message, but not six or seven. Both devices will then use a maximum sliding window size of three.

8.8.3 Level of Data Integrity Check

The CONFIG message contains a bit field describing the types of Data Integrity Checks the sender is prepared to transmit. The peer will select the one it is prepared to use and send its choice in the CONFIG RESPONSE message.

If data integrity checks are not required, then the Data Integrity Check Present bit shall be set to 0 by the Host and Controller.

Level of Data Integrity	Parameter Description for CONFIG Message
0	No Data Integrity Check is supported.
1	16 bit CCITT-CRC may be used.

Table 8.1: Data Integrity Check type in the CONFIG message

Level of Data Integrity	Parameter Description for CONFIG RESPONSE Message
0	No Data Integrity Check is used.
1	16 bit CCITT-CRC may be used.

Table 8.2: Data Integrity Check type in the CONFIG RESPONSE message



8.8.4 Out of Frame Software Flow Control

By default, the transport uses no flow control except that mandated by the HCI Functional Specification and the flow control achieved by not acknowledging reliable Host messages. If Software Flow Control is to be used, this needs to be negotiated.

The CONFIG message specifies whether the sender of the CONFIG message is prepared to receive Out of Frame Software Flow Control messages. The CONFIG RESPONSE message specifies whether the peer can send Out of Frame Software Flow Control messages. The CONFIG RESPONSE message may have the field set to 1 only if the CONFIG message had it set to 1. (See [Section 10.1](#))

8.8.5 Version Number

The Version Number of this protocol shall determine which facilities are available to be used.

The CONFIG message specifies the Version Number supported by the Host. The CONFIG RESPONSE message specifies the Version Number that shall be used by the Host and Controller when sent by the Controller. The value in the CONFIG RESPONSE message shall be less than or equal to the value in the CONFIG message. The Version Numbers are enumerated in [Table 8.3](#). This specification defines version 1.0 (Version Number = 0).

Version Number	Parameter Description for CONFIG and CONFIG RESPONSE Message
0	Version 1.0 of this Protocol
All other values	Reserved for future use

Table 8.3: Version number in the CONFIG and CONFIG RESPONSE messages



9 LOW POWER

After a device is in the Active State, either side of the transport link may wish to enter a low power state. Because recovery from a loss of synchronization is possible, it is allowable to stop listening for incoming packets at any time.

To make the system more responsive after a device has entered a low power state, a system of messages is employed to allow either side to notify the other that they are entering a low power state and to wake a device from that state. These messages are sent as Link Control packets. It is optional for a device to support the Sleep message. The Wakeup and Woken messages are mandatory.

9.1 WAKEUP MESSAGE

The Wakeup message shall be the first message sent whenever the device believes that the other side is asleep. The device shall then repeatedly send the Wakeup message until the Woken message is received. There shall be at least a one character gap between the sending of each Wakeup message to allow the UART to resynchronize. The Wakeup message is an unreliable message sent with a Packet Type of 15, and a Payload Length of 2. The payload is composed of the octet pattern 0x05 0xFA. The Wakeup message shall be used after a device has sent a Sleep message. It is mandatory to respond to the Wakeup message.

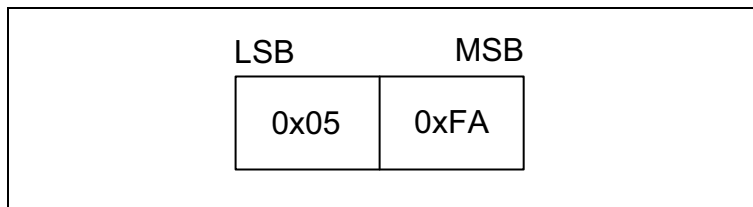


Figure 9.1: Wakeup message payload format



9.2 WOKEN MESSAGE

The Woken message shall be sent whenever a Wakeup message is received even if the receiver is currently not asleep. Upon receiving a Woken message, a device can determine that the other device is not in a low power state and can send and receive data. The Woken message is an unreliable message sent with a Packet Type of 15, and a Payload Length of 2. The payload is composed of the octet pattern 0x06 0xF9.

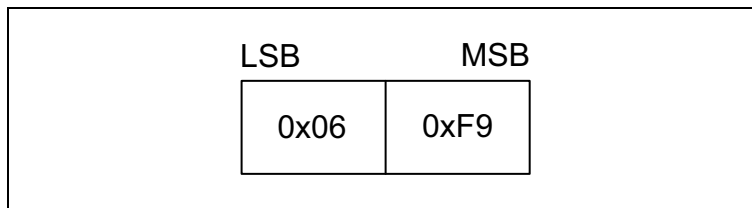


Figure 9.2: Woken message payload format

9.3 SLEEP MESSAGE

A Sleep message can be sent at any time after Link Establishment has finished. It notifies the other side that this device is going into a low power state, and that it may also go to sleep. If a device sends a Sleep message it shall use the Wakeup / Woken message sequence before sending any data. If a device receives a Sleep message, then it should use the Wakeup / Woken message sequence before sending any data. The Sleep message is an unreliable message sent with a Packet Type of 15, and a Payload Length of 2. The payload is composed of the octet pattern 0x07 0x78.

The sending of this message is optional. The receiver of this message need not go to sleep, but cooperating devices may be able to schedule sleeping more effectively with this message.

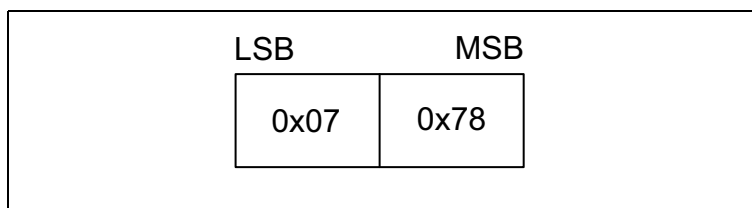


Figure 9.3: Sleep message payload format



10 OUT OF FRAME CONTROL

It is possible to embed information in the SLIP data stream after a SLIP ESCAPE character that can allow for Software Flow Control. This feature is optional and may be negotiated in the Link Establishment configuration messages.

10.1 SOFTWARE FLOW CONTROL

If Software Flow Control is enabled, then the standard XON / XOFF (0x11 and 0x13) characters will control the flow of data over the transport. To allow the XON / XOFF characters to be sent in the payload, they shall be escaped as follows: 0x11 shall be changed to 0xDB 0xDE, 0x13 shall be changed to 0xDB DF. This means that the XON / XOFF characters in the data stream are used only by software flow control.

If Software Flow Control is disabled, then the SLIP escape sequences 0xDB 0xDE and 0xDB 0xDF are undefined. In this case, the original octets of 0x11 and 0x13 shall not be changed. Flow control should always be provided by the tunneled protocols, e.g. HCI Flow Control. Flow control is still available using the standard Sequence Number / Acknowledge Number. This can be done by not acknowledging packets until traffic can resume.



11 HARDWARE CONFIGURATION

The HCI Three-Wire UART Transport uses the following configurations.

11.1 WIRES

There are three wires used by the HCI Three-Wire UART Transport. These are Transmit, Receive, and Ground.

11.1.1 Transmit & receive

The transmit line from one device shall be connected to the receive line of the other device.

11.1.2 Ground

A common ground reference shall be used.

11.2 HARDWARE FLOW

Hardware flow control may be used. The signaling shall be the same as a standard RS232 flow control lines. If used, the signals shall be connected in a null-modem fashion; for example, the local RTS shall be connected to the remote CTS and vice versa.

11.2.1 RTS & CTS

Request to Send indicates to the remote side that the local device is able to accept more data.

Clear to Send indicates if the remote side is able to receive data.

(See ITU.T recommendations V.24 [\[2\]](#) and V.28 [\[3\]](#))



12 RECOMMENDED PARAMETERS

12.1 TIMING PARAMETERS

Because this transport protocol can be used with a wide variety of baud rates, it is not possible to specify a single timing value. However, it is possible to specify the time based on the baud rate in use. If T_{\max} is defined as the maximum time in seconds it will take to transmit the largest packet over this transport, T_{\max} can be expressed as:

$$T_{\max} = \text{maximum size of a packet in bits} / \text{baud rate}$$

The maximum size of a packet in bits is either the number of bits in a 4095 octet packet (32,760) or less if required in an embedded system or as determined by the Host or Controller¹. Thus, at a baud rate of 921,600 and the maximum packet size of 4095 octets, T_{\max} is: $(4095 \cdot 10) / 921,600 = 44.434$ ms.

12.1.1 Acknowledgment of packets

It is not necessary to acknowledge every packet with a pure acknowledgment packet if there is a data packet that will be sent soon. The recommended maximum time before starting to send an acknowledgment is $2 \cdot T_{\max}$.

12.1.2 Resending reliable packets

A reliable packet shall be resent until it is acknowledged. The recommended time between starting to send the same packet is $3 \cdot T_{\max}$.

1. This can be determined using the HCI_Read_Buffer_Size command.



13 REFERENCES

- [1] IETF RFC 1055: A nonstandard for transmission of IP datagrams over serial lines: SLIP – <http://www.ietf.org/rfc/rfc1055.txt>
- [2] ITU Recommendation V.24: List of definitions for interchange circuits between data terminal equipment (DTE) and data circuit-terminating equipment (DCE) – <http://www.itu.int/rec/recommendation.asp>
- [3] ITU Recommendation V.28: Electrical characteristics for unbalanced double-current interchange circuits – <http://www.itu.int/rec/recommendation.asp>

Host Controller Interface

Part E

HOST CONTROLLER INTERFACE FUNCTIONAL SPECIFICATION

This Part describes the functional specification for the Host Controller interface (HCI).

The HCI provides a uniform command interface to a Controller.



CONTENTS

1	Introduction	1725
1.1	Lower Layers of the Bluetooth software stack.....	1726
1.2	Cross-version issues.....	1727
2	Overview of Host Controller transport layer	1729
2.1	[This section is no longer used].....	1729
3	Overview of commands and events	1730
3.1	LE Controller requirements.....	1784
3.1.1	Legacy and extended advertising.....	1784
3.2	Underlying Support.....	1786
3.3	Feature Exchange.....	1787
4	HCI flow control	1788
4.1	Host to Controller data flow control.....	1788
4.1.1	Packet-based data flow control.....	1788
4.1.2	Data-block-based data flow control.....	1790
4.2	Controller to Host data flow control.....	1791
4.3	Disconnection behavior.....	1792
4.4	Command flow control.....	1792
4.5	Command error handling.....	1793
4.6	LMP transaction and LL procedure collisions.....	1795
4.7	LE Host and Controller synchronization.....	1795
4.8	Versioned events.....	1795
5	HCI data formats	1796
5.1	Correctness.....	1796
5.2	Data and parameter formats.....	1796
5.3	IDs and Handles.....	1797
5.3.1	Controller handles.....	1797
5.3.1.1	Broadcast Connection_Handles.....	1798
5.3.2	[This section is no longer used].....	1799
5.4	Exchange of HCI-specific information.....	1799
5.4.1	HCI Command packet.....	1799
5.4.2	HCI ACL Data packets.....	1801
5.4.3	HCI Synchronous Data packets.....	1803
5.4.4	HCI Event packet.....	1804
5.4.5	HCI ISO Data packets.....	1805
5.5	Ignored parameters.....	1808
6	HCI configuration parameters	1809
6.1	Scan Enable.....	1809



6.2	Inquiry Scan Interval	1809
6.3	Inquiry Scan Window	1810
6.4	Inquiry Scan Type	1810
6.5	Inquiry mode	1810
6.6	Page Timeout	1811
6.7	Connection Accept Timeout	1811
6.8	Page Scan Interval	1811
6.9	Page Scan Window	1812
6.10	[This section is no longer used]	1812
6.11	Page Scan Type	1812
6.12	Voice Setting	1812
6.13	PIN Type	1813
6.14	Link key	1813
6.15	Failed Contact Counter	1814
6.16	Authentication Enable	1814
6.17	Hold Mode Activity	1815
6.18	Link Policy Settings	1815
6.19	Flush Timeout	1816
6.20	Num Broadcast Retransmissions	1816
6.21	Link Supervision Timeout	1817
6.22	Synchronous Flow Control Enable	1817
6.23	Local Name	1818
6.24	Extended Inquiry response	1818
6.25	Erroneous Data Reporting	1818
6.26	Class of Device	1819
6.27	Supported commands	1819
6.28	[This section is no longer used]	1831
6.29	[This section is no longer used]	1831
6.30	[This section is no longer used]	1831
6.31	[This section is no longer used]	1831
6.32	[This section is no longer used]	1831
6.33	Flow Control mode	1831
6.34	LE Supported Host	1832
6.35	[This section is no longer used]	1832
6.36	Sync Train Interval	1832
6.37	Sync Train Timeout	1832
6.38	Service Data	1833
6.39	Secure Connections Host Support	1833
6.40	Authenticated Payload Timeout	1833
6.41	Extended Page Timeout	1834
6.42	Extended Inquiry Length	1834
7	HCI commands and events	1835



- 7.1 Link Control commands 1835
 - 7.1.1 Inquiry command 1835
 - 7.1.2 Inquiry Cancel command 1837
 - 7.1.3 Periodic Inquiry Mode command 1838
 - 7.1.4 Exit Periodic Inquiry Mode command 1841
 - 7.1.5 Create Connection command 1842
 - 7.1.6 Disconnect command 1845
 - 7.1.7 Create Connection Cancel command 1847
 - 7.1.8 Accept Connection Request command..... 1849
 - 7.1.9 Reject Connection Request command 1851
 - 7.1.10 Link Key Request Reply command..... 1852
 - 7.1.11 Link Key Request Negative Reply command..... 1854
 - 7.1.12 PIN Code Request Reply command 1856
 - 7.1.13 PIN Code Request Negative Reply command..... 1858
 - 7.1.14 Change Connection Packet Type command 1859
 - 7.1.15 Authentication Requested command 1861
 - 7.1.16 Set Connection Encryption command..... 1863
 - 7.1.17 Change Connection Link Key command..... 1865
 - 7.1.18 Link Key Selection command..... 1866
 - 7.1.19 Remote Name Request command..... 1868
 - 7.1.20 Remote Name Request Cancel command 1870
 - 7.1.21 Read Remote Supported Features command 1872
 - 7.1.22 Read Remote Extended Features command..... 1873
 - 7.1.23 Read Remote Version Information command..... 1874
 - 7.1.24 Read Clock Offset command 1875
 - 7.1.25 Read LMP Handle command..... 1876
 - 7.1.26 Setup Synchronous Connection command..... 1878
 - 7.1.27 Accept Synchronous Connection Request command.....
1882
 - 7.1.28 Reject Synchronous Connection Request command 1886
 - 7.1.29 IO Capability Request Reply command 1887
 - 7.1.30 User Confirmation Request Reply command..... 1890
 - 7.1.31 User Confirmation Request Negative Reply command
1891
 - 7.1.32 User Passkey Request Reply command 1892
 - 7.1.33 User Passkey Request Negative Reply command ... 1893
 - 7.1.34 Remote OOB Data Request Reply command 1894
 - 7.1.35 Remote OOB Data Request Negative Reply command ...



1896

- 7.1.36 IO Capability Request Negative Reply command 1897
- 7.1.37 [This section is no longer used] 1899
- 7.1.38 [This section is no longer used] 1899
- 7.1.39 [This section is no longer used] 1899
- 7.1.40 [This section is no longer used] 1899
- 7.1.41 [This section is no longer used] 1899
- 7.1.42 [This section is no longer used] 1899
- 7.1.43 [This section is no longer used] 1899
- 7.1.44 [This section is no longer used] 1899
- 7.1.45 Enhanced Setup Synchronous Connection command
1900
- 7.1.46 Enhanced Accept Synchronous Connection Request
command 1910
- 7.1.47 Truncated Page command 1916
- 7.1.48 Truncated Page Cancel command 1918
- 7.1.49 Set Connectionless Peripheral Broadcast command 1920
- 7.1.50 Set Connectionless Peripheral Broadcast Receive
command 1924
- 7.1.51 Start Synchronization Train command 1928
- 7.1.52 Receive Synchronization Train command 1929
- 7.1.53 Remote OOB Extended Data Request Reply command ..
1931
- 7.2 Link Policy commands 1933
 - 7.2.1 Hold Mode command 1933
 - 7.2.2 Sniff Mode command 1936
 - 7.2.3 Exit Sniff Mode command 1939
 - 7.2.4 [This section is no longer used] 1940
 - 7.2.5 [This section is no longer used] 1940
 - 7.2.6 QoS Setup command 1941
 - 7.2.7 Role Discovery command 1944
 - 7.2.8 Switch Role command 1945
 - 7.2.9 Read Link Policy Settings command 1947
 - 7.2.10 Write Link Policy Settings command 1949
 - 7.2.11 Read Default Link Policy Settings command 1951
 - 7.2.12 Write Default Link Policy Settings command 1952
 - 7.2.13 Flow Specification command 1953
 - 7.2.14 Sniff Subrating command 1956
- 7.3 Controller & Baseband commands 1958



7.3.1	Set Event Mask command	1958
7.3.2	Reset command	1961
7.3.3	Set Event Filter command	1962
7.3.4	Flush command	1968
7.3.5	Read PIN Type command	1970
7.3.6	Write PIN Type command	1971
7.3.7	[This section is no longer used]	1972
7.3.8	Read Stored Link Key command	1973
7.3.9	Write Stored Link Key command	1975
7.3.10	Delete Stored Link Key command	1977
7.3.11	Write Local Name command	1979
7.3.12	Read Local Name command	1980
7.3.13	Read Connection Accept Timeout command	1981
7.3.14	Write Connection Accept Timeout command	1982
7.3.15	Read Page Timeout command	1983
7.3.16	Write Page Timeout command	1984
7.3.17	Read Scan Enable command	1985
7.3.18	Write Scan Enable command	1986
7.3.19	Read Page Scan Activity command	1987
7.3.20	Write Page Scan Activity command	1989
7.3.21	Read Inquiry Scan Activity command	1990
7.3.22	Write Inquiry Scan Activity command	1991
7.3.23	Read Authentication Enable command	1992
7.3.24	Write Authentication Enable command	1993
7.3.25	Read Class of Device command	1994
7.3.26	Write Class of Device command	1995
7.3.27	Read Voice Setting command	1996
7.3.28	Write Voice Setting command	1997
7.3.29	Read Automatic Flush Timeout command	1998
7.3.30	Write Automatic Flush Timeout command	1999
7.3.31	Read Num Broadcast Retransmissions command ...	2001
7.3.32	Write Num Broadcast Retransmissions command ...	2002
7.3.33	Read Hold Mode Activity command	2003
7.3.34	Write Hold Mode Activity command	2004
7.3.35	Read Transmit Power Level command	2005
7.3.36	Read Synchronous Flow Control Enable command .	2007
7.3.37	Write Synchronous Flow Control Enable command .	2008
7.3.38	Set Controller To Host Flow Control command	2009



7.3.39	Host Buffer Size command	2011
7.3.40	Host Number Of Completed Packets command	2013
7.3.41	Read Link Supervision Timeout command	2015
7.3.42	Write Link Supervision Timeout command	2017
7.3.43	Read Number Of Supported IAC command	2019
7.3.44	Read Current IAC LAP command	2020
7.3.45	Write Current IAC LAP command	2021
7.3.46	Set AFH Host Channel Classification command	2023
7.3.47	Read Inquiry Scan Type command	2024
7.3.48	Write Inquiry Scan Type command	2025
7.3.49	Read Inquiry Mode command	2026
7.3.50	Write Inquiry Mode command	2027
7.3.51	Read Page Scan Type command	2028
7.3.52	Write Page Scan Type command	2029
7.3.53	Read AFH Channel Assessment Mode command ...	2030
7.3.54	Write AFH Channel Assessment Mode command	2031
7.3.55	Read Extended Inquiry Response command	2033
7.3.56	Write Extended Inquiry Response command	2034
7.3.57	Refresh Encryption Key command	2035
7.3.58	Read Simple Pairing Mode command	2036
7.3.59	Write Simple Pairing Mode command	2037
7.3.60	Read Local OOB Data command	2039
7.3.61	Read Inquiry Response Transmit Power Level command 2041	
7.3.62	Write Inquiry Transmit Power Level command	2042
7.3.63	Send Keypress Notification command	2043
7.3.64	Read Default Erroneous Data Reporting command .	2045
7.3.65	Write Default Erroneous Data Reporting command..	2046
7.3.66	Enhanced Flush command	2047
7.3.67	[This section is no longer used]	2049
7.3.68	[This section is no longer used]	2049
7.3.69	Set Event Mask Page 2 command	2050
7.3.70	[This section is no longer used]	2052
7.3.71	[This section is no longer used]	2052
7.3.72	Read Flow Control Mode command	2053
7.3.73	Write Flow Control Mode command	2054
7.3.74	Read Enhanced Transmit Power Level command	2055
7.3.75	[This section is no longer used]	2057



7.3.76	[This section is no longer used]	2057
7.3.77	[This section is no longer used]	2057
7.3.78	Read LE Host Support command	2058
7.3.79	Write LE Host Support command	2059
7.3.80	Set MWS Channel Parameters command	2060
7.3.81	Set External Frame Configuration command	2062
7.3.82	Set MWS Signaling command	2065
7.3.83	Set MWS Transport Layer command	2070
7.3.84	Set MWS Scan Frequency Table command	2071
7.3.85	Set MWS_PATTERN Configuration command	2073
7.3.86	Set Reserved LT_ADDR command	2076
7.3.87	Delete Reserved LT_ADDR command	2078
7.3.88	Set Connectionless Peripheral Broadcast Data command 2079	
7.3.89	Read Synchronization Train Parameters command .	2081
7.3.90	Write Synchronization Train Parameters command .	2083
7.3.91	Read Secure Connections Host Support command .	2085
7.3.92	Write Secure Connections Host Support command .	2086
7.3.93	Read Authenticated Payload Timeout command	2088
7.3.94	Write Authenticated Payload Timeout command	2090
7.3.95	Read Local OOB Extended Data command	2092
7.3.96	Read Extended Page Timeout command	2094
7.3.97	Write Extended Page Timeout command	2095
7.3.98	Read Extended Inquiry Length command	2096
7.3.99	Write Extended Inquiry Length command	2097
7.3.100	Set Ecosystem Base Interval command	2098
7.3.101	Configure Data Path command	2100
7.3.102	Set Min Encryption Key Size command	2102
7.4	Informational parameters	2103
7.4.1	Read Local Version Information command	2103
7.4.2	Read Local Supported Commands command	2105
7.4.3	Read Local Supported Features command	2106
7.4.4	Read Local Extended Features command	2107
7.4.5	Read Buffer Size command	2109
7.4.6	Read BD_ADDR command	2111
7.4.7	Read Data Block Size command	2112
7.4.8	Read Local Supported Codecs command	2114
7.4.9	Read Local Simple Pairing Options command	2117



7.4.10	Read Local Supported Codec Capabilities command	2119
7.4.11	Read Local Supported Controller Delay command...	2121
7.5	Status parameters	2124
7.5.1	Read Failed Contact Counter command.....	2124
7.5.2	Reset Failed Contact Counter command.....	2126
7.5.3	Read Link Quality command.....	2127
7.5.4	Read RSSI command	2129
7.5.5	Read AFH Channel Map command	2131
7.5.6	Read Clock command.....	2133
7.5.7	Read Encryption Key Size command	2135
7.5.8	[This section is no longer used]	2137
7.5.9	[This section is no longer used]	2137
7.5.10	[This section is no longer used]	2137
7.5.11	Get MWS Transport Layer Configuration command.	2138
7.5.12	Set Triggered Clock Capture command.....	2141
7.6	Testing commands.....	2144
7.6.1	Read Loopback Mode command	2144
7.6.2	Write Loopback Mode command	2146
7.6.3	Enable Device Under Test Mode command	2149
7.6.4	Write Simple Pairing Debug Mode command	2150
7.6.5	[This section is no longer used]	2152
7.6.6	[This section is no longer used]	2152
7.6.7	[This section is no longer used]	2152
7.6.8	Write Secure Connections Test Mode command	2153
7.7	Events.....	2156
7.7.1	Inquiry Complete event.....	2156
7.7.2	Inquiry Result event.....	2157
7.7.3	Connection Complete event.....	2159
7.7.4	Connection Request event.....	2161
7.7.5	Disconnection Complete event	2163
7.7.6	Authentication Complete event.....	2165
7.7.7	Remote Name Request Complete event	2166
7.7.8	Encryption Change event.....	2167
7.7.9	Change Connection Link Key Complete event	2169
7.7.10	Link Key Type Changed event.....	2170
7.7.11	Read Remote Supported Features Complete event.	2172
7.7.12	Read Remote Version Information Complete event .	2173



7.7.13	QoS Setup Complete event	2175
7.7.14	Command Complete event	2177
7.7.15	Command Status event	2179
7.7.16	Hardware Error event.....	2181
7.7.17	Flush Occurred event.....	2182
7.7.18	Role Change event	2183
7.7.19	Number Of Completed Packets event	2184
7.7.20	Mode Change event.....	2186
7.7.21	Return Link Keys event.....	2188
7.7.22	PIN Code Request event	2189
7.7.23	Link Key Request event	2190
7.7.24	Link Key Notification event.....	2191
7.7.25	Loopback Command event.....	2193
7.7.26	Data Buffer Overflow event.....	2194
7.7.27	Max Slots Change event.....	2195
7.7.28	Read Clock Offset Complete event.....	2196
7.7.29	Connection Packet Type Changed event	2197
7.7.30	QoS Violation event	2199
7.7.31	Page Scan Repetition Mode Change event.....	2200
7.7.32	Flow Specification Complete event.....	2201
7.7.33	Inquiry Result with RSSI event	2204
7.7.34	Read Remote Extended Features Complete event ..	2206
7.7.35	Synchronous Connection Complete event.....	2208
7.7.36	Synchronous Connection Changed event	2211
7.7.37	Sniff Subrating event.....	2213
7.7.38	Extended Inquiry Result event.....	2215
7.7.39	Encryption Key Refresh Complete event.....	2218
7.7.40	IO Capability Request event	2219
7.7.41	IO Capability Response event	2220
7.7.42	User Confirmation Request event.....	2222
7.7.43	User Passkey Request event.....	2223
7.7.44	Remote OOB Data Request event.....	2224
7.7.45	Simple Pairing Complete event.....	2225
7.7.46	Link Supervision Timeout Changed event	2226
7.7.47	Enhanced Flush Complete event.....	2227
7.7.48	User Passkey Notification event	2228
7.7.49	Keypress Notification event	2229
7.7.50	Remote Host Supported Features Notification event	2230



7.7.51 [This section is no longer used] 2231

7.7.52 [This section is no longer used] 2231

7.7.53 [This section is no longer used] 2231

7.7.54 [This section is no longer used] 2231

7.7.55 [[This section is no longer used] 2231

7.7.56 [This section is no longer used] 2231

7.7.57 [This section is no longer used] 2231

7.7.58 [This section is no longer used] 2231

7.7.59 Number Of Completed Data Blocks event..... 2232

7.7.60 [This section is no longer used] 2234

7.7.61 [This section is no longer used] 2234

7.7.62 [This section is no longer used] 2234

7.7.63 [This section is no longer used] 2234

7.7.64 [This section is no longer used] 2234

7.7.65 LE Meta event..... 2235

 7.7.65.1 LE Connection Complete event..... 2235

 7.7.65.2 LE Advertising Report event..... 2238

 7.7.65.3 LE Connection Update Complete event 2240

 7.7.65.4 LE Read Remote Features Complete event 2242

 7.7.65.5 LE Long Term Key Request event..... 2243

 7.7.65.6 LE Remote Connection Parameter Request event..... 2244

 7.7.65.7 LE Data Length Change event 2246

 7.7.65.8 LE Read Local P-256 Public Key Complete event..... 2248

 7.7.65.9 LE Generate DHKey Complete event 2249

 7.7.65.10LE Enhanced Connection Complete event 2250

 7.7.65.11LE Directed Advertising Report event 2255

 7.7.65.12LE PHY Update Complete event 2257

 7.7.65.13LE Extended Advertising Report event 2259

 7.7.65.14LE Periodic Advertising Sync Established event 2265

 7.7.65.15LE Periodic Advertising Report event 2269

 7.7.65.16LE Periodic Advertising Sync Lost event ... 2273

 7.7.65.17LE Scan Timeout event..... 2274

 7.7.65.18LE Advertising Set Terminated event..... 2275

 7.7.65.19LE Scan Request Received event 2277

 7.7.65.20LE Channel Selection Algorithm event..... 2279

 7.7.65.21LE Connectionless IQ Report event..... 2280

 7.7.65.22LE Connection IQ Report event..... 2284

 7.7.65.23LE CTE Request Failed event 2288

 7.7.65.24LE Periodic Advertising Sync Transfer Received event..... 2289



7.7.65.25	LE CIS Established event	2293
7.7.65.26	LE CIS Request event	2297
7.7.65.27	LE Create BIG Complete event	2299
7.7.65.28	LE Terminate BIG Complete event	2303
7.7.65.29	LE BIG Sync Established event	2304
7.7.65.30	LE BIG Sync Lost event	2307
7.7.65.31	LE Request Peer SCA Complete event	2308
7.7.65.32	LE Path Loss Threshold event	2310
7.7.65.33	LE Transmit Power Reporting event	2312
7.7.65.34	LE BIGInfo Advertising Report event	2315
7.7.65.35	LE Subrate Change event	2319
7.7.65.36	LE Periodic Advertising Subevent Data Request event	2321
7.7.65.37	LE Periodic Advertising Response Report event 2323	
7.7.66	Triggered Clock Capture event	2326
7.7.67	Synchronization Train Complete event	2328
7.7.68	Synchronization Train Received event	2329
7.7.69	Connectionless Peripheral Broadcast Receive event	2331
7.7.70	Connectionless Peripheral Broadcast Timeout event	2333
7.7.71	Truncated Page Complete event	2334
7.7.72	Peripheral Page Response Timeout event	2335
7.7.73	Connectionless Peripheral Broadcast Channel Map Change event	2336
7.7.74	Inquiry Response Notification event	2337
7.7.75	Authenticated Payload Timeout Expired event	2338
7.7.76	SAM Status Change event	2339
7.8	LE Controller commands	2341
7.8.1	LE Set Event Mask command	2341
7.8.2	LE Read Buffer Size command	2344
7.8.3	LE Read Local Supported Features command	2347
7.8.4	LE Set Random Address command	2348
7.8.5	LE Set Advertising Parameters command	2350
7.8.6	LE Read Advertising Physical Channel Tx Power command	2354
7.8.7	LE Set Advertising Data command	2355
7.8.8	LE Set Scan Response Data command	2357
7.8.9	LE Set Advertising Enable command	2359
7.8.10	LE Set Scan Parameters command	2361
7.8.11	LE Set Scan Enable command	2364
7.8.12	LE Create Connection command	2366



7.8.13	LE Create Connection Cancel command.....	2372
7.8.14	LE Read Filter Accept List Size command.....	2373
7.8.15	LE Clear Filter Accept List command.....	2374
7.8.16	LE Add Device To Filter Accept List command.....	2375
7.8.17	LE Remove Device From Filter Accept List command	2377
7.8.18	LE Connection Update command	2379
7.8.19	LE Set Host Channel Classification command	2382
7.8.20	LE Read Channel Map command.....	2383
7.8.21	LE Read Remote Features command	2385
7.8.22	LE Encrypt command.....	2386
7.8.23	LE Rand command	2388
7.8.24	LE Enable Encryption command.....	2389
7.8.25	LE Long Term Key Request Reply command.....	2391
7.8.26	LE Long Term Key Request Negative Reply command ...	2393
7.8.27	LE Read Supported States command	2394
7.8.28	LE Receiver Test command.....	2397
7.8.29	LE Transmitter Test command.....	2401
7.8.30	LE Test End command	2406
7.8.31	LE Remote Connection Parameter Request Reply command	2407
7.8.32	LE Remote Connection Parameter Request Negative Reply command	2410
7.8.33	LE Set Data Length command.....	2412
7.8.34	LE Read Suggested Default Data Length command	2414
7.8.35	LE Write Suggested Default Data Length command	2416
7.8.36	LE Read Local P-256 Public Key command	2418
7.8.37	LE Generate DHKey command	2419
7.8.38	LE Add Device To Resolving List command.....	2421
7.8.39	LE Remove Device From Resolving List command..	2423
7.8.40	LE Clear Resolving List command.....	2425
7.8.41	LE Read Resolving List Size command.....	2426
7.8.42	LE Read Peer Resolvable Address command.....	2427
7.8.43	LE Read Local Resolvable Address command.....	2429
7.8.44	LE Set Address Resolution Enable command	2431
7.8.45	LE Set Resolvable Private Address Timeout command ...	2433
7.8.46	LE Read Maximum Data Length command	2434



7.8.47 LE Read PHY command..... 2436

7.8.48 LE Set Default PHY command..... 2438

7.8.49 LE Set PHY command 2440

7.8.50 [This section is no longer used] 2443

7.8.51 [This section is no longer used] 2443

7.8.52 LE Set Advertising Set Random Address command 2444

7.8.53 LE Set Extended Advertising Parameters command 2446

7.8.54 LE Set Extended Advertising Data command..... 2455

7.8.55 LE Set Extended Scan Response Data command ... 2459

7.8.56 LE Set Extended Advertising Enable command 2462

7.8.57 LE Read Maximum Advertising Data Length command ...
2467

7.8.58 LE Read Number of Supported Advertising Sets
command 2468

7.8.59 LE Remove Advertising Set command 2469

7.8.60 LE Clear Advertising Sets command 2470

7.8.61 LE Set Periodic Advertising Parameters command .. 2471

7.8.62 LE Set Periodic Advertising Data command 2476

7.8.63 LE Set Periodic Advertising Enable command 2479

7.8.64 LE Set Extended Scan Parameters command 2481

7.8.65 LE Set Extended Scan Enable command..... 2484

7.8.66 LE Extended Create Connection command..... 2487

7.8.67 LE Periodic Advertising Create Sync command 2494

7.8.68 LE Periodic Advertising Create Sync Cancel command ...
2498

7.8.69 LE Periodic Advertising Terminate Sync command.. 2499

7.8.70 LE Add Device To Periodic Advertiser List command
2500

7.8.71 LE Remove Device From Periodic Advertiser List
command 2502

7.8.72 LE Clear Periodic Advertiser List command 2504

7.8.73 LE Read Periodic Advertiser List Size command 2505

7.8.74 LE Read Transmit Power command..... 2506

7.8.75 LE Read RF Path Compensation command..... 2507

7.8.76 LE Write RF Path Compensation command 2508

7.8.77 LE Set Privacy Mode command..... 2510

7.8.78 [This section is no longer used] 2512

7.8.79 [This section is no longer used] 2512

7.8.80 LE Set Connectionless CTE Transmit Parameters



command	2513
7.8.81 LE Set Connectionless CTE Transmit Enable command .	2516
7.8.82 LE Set Connectionless IQ Sampling Enable command....	2518
7.8.83 LE Set Connection CTE Receive Parameters command .	2521
7.8.84 LE Set Connection CTE Transmit Parameters command	2524
7.8.85 LE Connection CTE Request Enable command.....	2527
7.8.86 LE Connection CTE Response Enable command	2530
7.8.87 LE Read Antenna Information command.....	2532
7.8.88 LE Set Periodic Advertising Receive Enable command ...	2534
7.8.89 LE Periodic Advertising Sync Transfer command.....	2536
7.8.90 LE Periodic Advertising Set Info Transfer command	2538
7.8.91 LE Set Periodic Advertising Sync Transfer Parameters command	2540
7.8.92 LE Set Default Periodic Advertising Sync Transfer Parameters command.....	2543
7.8.93 [This section is no longer used]	2546
7.8.94 LE Modify Sleep Clock Accuracy command	2547
7.8.95 [This section is no longer used]	2549
7.8.96 LE Read ISO TX Sync command	2550
7.8.97 LE Set CIG Parameters command	2552
7.8.98 LE Set CIG Parameters Test command	2560
7.8.99 LE Create CIS command	2568
7.8.100 LE Remove CIG command	2571
7.8.101 LE Accept CIS Request command	2573
7.8.102 LE Reject CIS Request command	2574
7.8.103 LE Create BIG command.....	2576
7.8.104 LE Create BIG Test command.....	2581
7.8.105 LE Terminate BIG command	2587
7.8.106 LE BIG Create Sync command.....	2589
7.8.107 LE BIG Terminate Sync command	2593
7.8.108 LE Request Peer SCA command	2595
7.8.109 LE Setup ISO Data Path command	2596
7.8.110 LE Remove ISO Data Path command	2600
7.8.111 LE ISO Transmit Test command.....	2602



7.8.112 LE ISO Receive Test command..... 2604

7.8.113 LE ISO Read Test Counters command 2606

7.8.114 LE ISO Test End command 2608

7.8.115 LE Set Host Feature command..... 2610

7.8.116 LE Read ISO Link Quality command 2612

7.8.117 LE Enhanced Read Transmit Power Level command
2615

7.8.118 LE Read Remote Transmit Power Level command.. 2617

7.8.119 LE Set Path Loss Reporting Parameters command . 2619

7.8.120 LE Set Path Loss Reporting Enable command..... 2622

7.8.121 LE Set Transmit Power Reporting Enable command 2624

7.8.122 LE Set Data Related Address Changes command... 2626

7.8.123 LE Set Default Subrate command 2628

7.8.124 LE Subrate Request command..... 2630

7.8.125 LE Set Periodic Advertising Subevent Data command.....
2633

7.8.126 LE Set Periodic Advertising Response Data command....
2636

7.8.127 LE Set Periodic Sync Subevent command 2639

Appendix A [This Appendix is no longer used] 2641

Appendix B Removed commands and events 2642



1 INTRODUCTION

This Part of the specification describes the functional specifications for the Host Controller interface (HCI). The HCI provides a uniform command method for the Host to access Controller capabilities and to control connections to other Controllers. For the BR/EDR or LE Controller, these commands typically involve the Link Manager (LM) to exchange LMP commands or the Link Layer (LL) to exchange LL Control packets with remote Bluetooth devices. For details, see [\[Vol 2\] Part C, Link Manager Protocol Specification](#) and [\[Vol 6\] Part B, Link Layer Specification](#).

The rest of this section provides a brief overview of the lower layers of the Bluetooth software stack and of the Bluetooth hardware. [Section 2](#) provides an overview of the Lower HCI Device Driver Interface on the Host device. [Section 3](#) lists the HCI commands and events and specifies the support requirements on different types of implementation. [Section 4](#) describes the flow control used between the Host and the Controller. [Section 5](#) describes the various data formats used by HCI. [Section 6](#) further describes certain parameters that are common to several commands. [Section 7](#) describes each of the HCI commands in detail, identifies parameters for each of the commands, and lists events associated with each command.

The specification is applicable to the following types of Controllers:

- BR/EDR Controller
- BR/EDR/LE Controller
- LE Controller

A Controller shall support one of the following sets of functionality:

- BR/EDR only
- LE only
- BR/EDR/LE

In the following sections, the term “BR/EDR Controller” is used to describe the BR/EDR functionality of a Controller which may be either a BR/EDR only Controller or a BR/EDR/LE Controller. Similarly, the term “LE Controller” is used to describe the LE functionality of a Controller which may be either an LE only Controller or a BR/EDR/LE Controller.

A BR/EDR Controller supports BR/EDR functionality only. A BR/EDR/LE Controller supports BR/EDR functionality and LE functionality. An LE Controller supports LE functionality only.

1.1 LOWER LAYERS OF THE BLUETOOTH SOFTWARE STACK

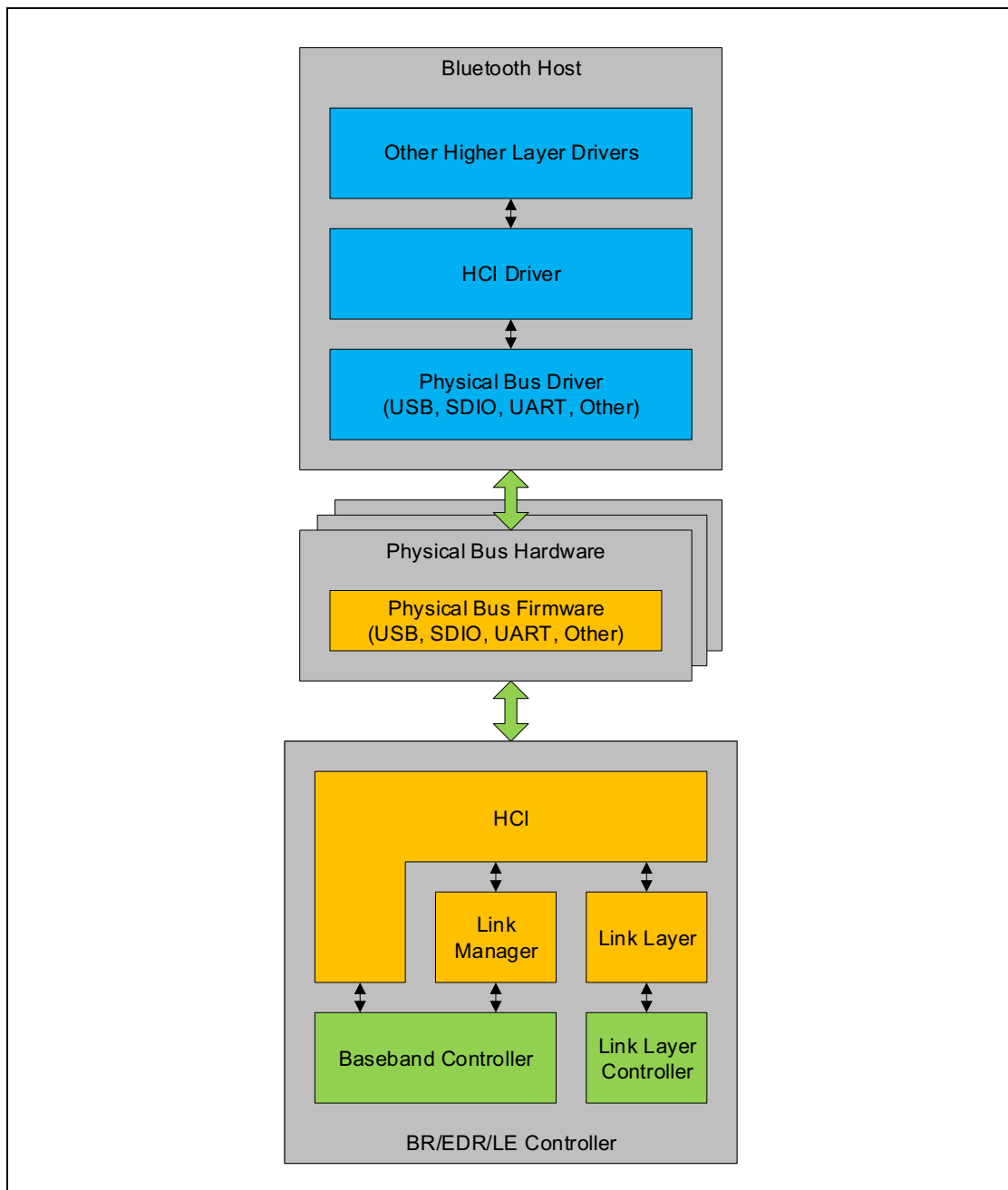


Figure 1.1: Overview of the lower software layers

Figure 1.1 provides an overview of the lower software layers.

Several layers may exist between the HCI driver on the Host system and the HCI layer in the Controller(s). These intermediate layers, the Host Controller Transport Layer, provide the ability to transfer data without intimate knowledge of the data.

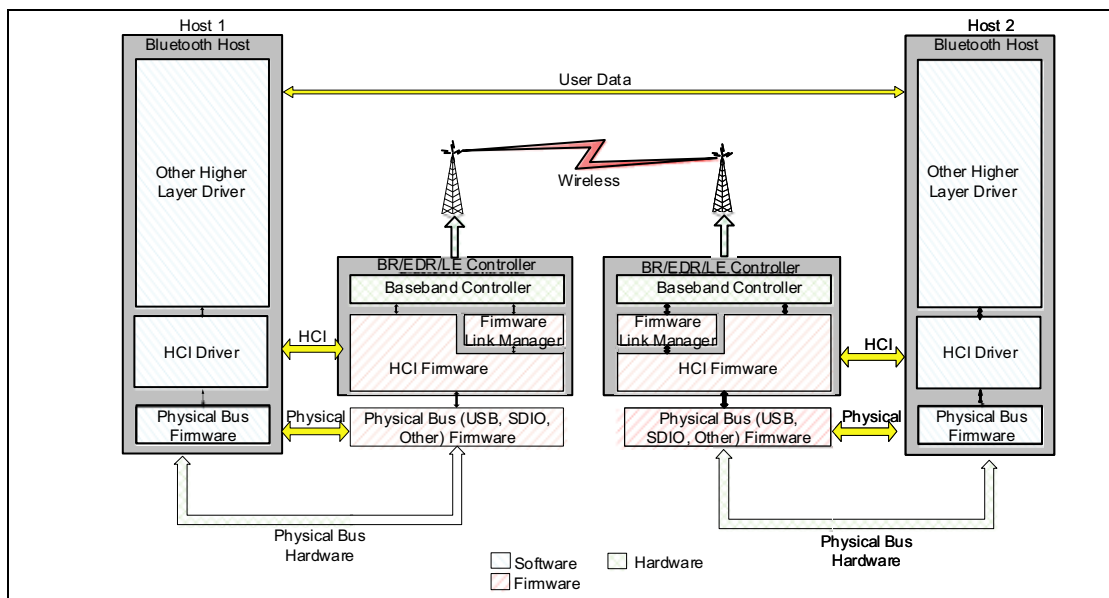


Figure 1.2: End to end overview of lower software layers to transfer data

Figure 1.2 illustrates the path of a data transfer from one device to another. The HCI driver on the Host exchanges data and commands with the HCI firmware on the Bluetooth hardware. The Host Control Transport Layer (i.e. physical bus) driver provides both HCI layers with the ability to exchange information with each other.

The Host will receive asynchronous notifications of HCI events independent of which Host Controller Transport Layer is used. HCI events are used for notifying the Host when something occurs. When the Host discovers that an event has occurred it will then parse the received event packet to determine which event occurred.

A BR/EDR/LE Controller uses one shared command buffer and flow control for BR/EDR and LE. Data buffers can be either shared between BR/EDR and LE or there may be separate data buffers for BR/EDR and LE. The configuration of a Controller is determined through HCI.

LE Controllers use a reduced set of HCI commands and events. Some commands and events are re-used for multiple Controller types.

1.2 CROSS-VERSION ISSUES

The Host and Controller communicating through HCI are not required to support the same version of this specification (see [Vol 1] Part D, Section 1).

If the Controller conforms to a newer version of the specification than the Host, events (including HCI_Command_Status and HCI_Command_Complete) may include values that are reserved for future use in the version supported by the Host. In the case of the Status parameter of the HCI_Command_Status and HCI_Command_Complete events, a value that is reserved for future use must



be treated as if it were the error code *Unspecified Error* (0x1F) (see [\[Vol 1\] Part F, Section 1.3](#)). In all other circumstances the Host must obey the requirements for devices receiving reserved values (see [\[Vol 1\] Part E, Section 2.4](#)).

Note: If the Host conforms to a newer version of the specification than the Controller and uses a command feature that is not part of the older specification version, then the Controller will report an error. Failure to handle such errors could result in unexpected behavior.



2 OVERVIEW OF HOST CONTROLLER TRANSPORT LAYER

The Host driver stack has a transport layer between the Host Controller Interface driver and the Host.

The main goal of this transport layer is transparency. The Host Controller Interface driver (which interfaces to the Controller) should be independent of the underlying transport technology. In addition, the transport should not require any understanding of the data that the Host Controller Interface driver passes to the Controller. This allows the logical interface (HCI) or the Controller to be upgraded without affecting the transport layer.

The specified Host Controller Transport Layers are described in the other parts of [Volume 4](#).

2.1 [THIS SECTION IS NO LONGER USED]



3 OVERVIEW OF COMMANDS AND EVENTS

The commands and events are sent between the Host and the Controller.

Table 3.1 lists each HCI command and event together with specification version information, a summary description, and the support requirements.

A command or event may have more than one version. All versions of a command or event implement the same basic functionality but with detail differences, such as additional parameters relating to newer features. The different versions are indicated by "[v1]", etc. where necessary; if no version number is given, a reference to the command or event applies to all versions.

The specification version information gives the version number of the specification which first specified this command or event or, where more than one specification version number is shown, each version of this command or event.

Table 3.1 lists the requirements for a Controller to support each command or event or version thereof. Subject to Section 3.2, a Controller shall support the command or event if it is shown as mandatory for at least one of the transports (i.e., BR/EDR or LE) that the Controller supports, otherwise the Controller may support the command or event if it is shown as optional for at least one of the transports that the Controller supports, otherwise it shall not support the command or event. If the command or event has more than one version, then this determination is made for each version separately using the requirements listed in the table for that version. The LMP features mentioned in the conditions are defined in [Vol 2] Part C, Section 3.2 and the Link Layer features in [Vol 6] Part B, Section 4.6.

Name	Vers.	Summary Description	BR/EDR	LE
Accept Connection Request command	1.1	The HCI_Accept_Connection_ - Request command is used to accept a new incoming BR/EDR connection request.	M	E
Accept Synchronous Connection Request command	1.2	The HCI_Accept_Synchronous_ - Connection_Request command is used to accept an incoming request for a synchronous connection and to inform the local Link Manager about the acceptable parameter values for the synchronous connection.	C.134	E

Table 3.1: Alphabetical list of commands and events (Sheet 1 of 50)



Name	Vers.	Summary Description	BR/EDR	LE
Authenticated Payload Timeout Expired event	4.1	The HCI_Authenticated_Payload_Timeout_Expired event is used to indicate that a packet containing a valid MIC on the Handle was not received within the <i>authenticatedPayloadTO</i> .	C.155	C.155
Authentication Complete event	1.1	The HCI_Authentication_Complete event occurs when authentication has been completed for the specified connection.	C.101	E
Authentication Requested command	1.1	The HCI_Authentication_Requested command is used to establish authentication between the two devices associated with the specified Connection_Handle.	O	E
Change Connection Link Key command	1.1	The HCI_Change_Connection_Link_Key command is used to force both devices of a connection associated to the Connection_Handle, to generate a new link key.	O	E
Change Connection Link Key Complete event	1.1	The HCI_Change_Connection_Link_Key_Complete event is used to indicate that the change in the Link Key for the Connection_Handle specified by the Connection_Handle event parameter had been completed.	C.102	E
Change Connection Packet Type command	1.1	The HCI_Change_Connection_Packet_Type command is used to change which packet types can be used for a connection that is currently established.	C.133	E
Command Complete event	1.1	The HCI_Command_Complete event is used by the Controller to pass the return status of a command and the other event parameters for each HCI command.	M	M
Command Status event	1.1	The HCI_Command_Status event is used to indicate that the command described by the Command_Opcode parameter has been received and the Controller is currently performing the task for this command.	M	M

Table 3.1: Alphabetical list of commands and events (Sheet 2 of 50)



Name	Vers.	Summary Description	BR/EDR	LE
Configure Data Path command	5.2	The HCI_Configure_Data_Path command is used by a Host to configure a data path to enable codec operation in the Controller.	C.156	C.156
Connection Complete event	1.1	The HCI_Connection_Complete event indicates to both of the Hosts forming the connection that a new BR/EDR connection has been established.	M	E
Connection Packet Type Changed event	1.1	The HCI_Connection_Packet_Type_Changed event is used to indicate the completion of the process of the Link Manager changing the packet type mask used for the specified Connection_Handle.	C.133	E
Connection Request event	1.1	The HCI_Connection_Request event is used to indicate that a new incoming BR/EDR connection is trying to be established.	M	E
Connectionless Peripheral Broadcast Channel Map Change event	CSA4	The HCI_Connectionless_Peripheral_Broadcast_Channel_Map_Change event indicates to the Host that the BR/EDR Controller has moved to a new AFH channel map for the PBD logical link.	C.201	E
Connectionless Peripheral Broadcast Receive event	CSA4	The HCI_Connectionless_Peripheral_Broadcast_Receive event provides the Host with the data received from a Connectionless Peripheral Broadcast packet.	C.202	E

Table 3.1: Alphabetical list of commands and events (Sheet 3 of 50)



Name	Vers.	Summary Description	BR/EDR	LE
Connectionless Peripheral Broadcast Timeout event	CSA4	<p>On the Connectionless Peripheral Broadcast Receiver, the HCI_Connectionless_Peripheral_Broadcast_Timeout event indicates to the Host that the BR/EDR Controller has lost synchronization with the Connectionless Peripheral Broadcast Transmitter.</p> <p>On the Connectionless Peripheral Broadcast Transmitter, the HCI_Connectionless_Peripheral_Broadcast_Timeout event indicates to the Host that the BR/EDR Controller has been unable to transmit a Connectionless Peripheral Broadcast packet for the timeout interval specified in the HCI_Set_Connectionless_Peripheral_Broadcast command.</p>	C.202	E
Create Connection Cancel command	1.2	The HCI_Create_Connection_Cancel command is used to cancel an ongoing Create Connection.	M	E
Create Connection command	1.1	The HCI_Create_Connection command will cause the BR/EDR Link Manager to create an ACL connection to the BR/EDR Controller with the BD_ADDR specified by the command parameters.	M	E
Data Buffer Overflow event	1.1	The HCI_Data_Buffer_Overflow event is used to indicate that the Controller's data buffers have overflowed, because the Host has sent more packets than allowed.	O	O
Delete Reserved LT_ADDR command	CSA4	The HCI_Delete_Reserved_LT_ADDR command requests that the BR/EDR Controller cancel the reservation of a specific LT_ADDR reserved for the purposes of Connectionless Peripheral Broadcast.	C.201	E
Delete Stored Link Key command	1.1	The HCI_Delete_Stored_Link_Key command provides the ability to remove one or more of the link keys stored in the Controller.	C.121	E
Disconnect command	1.1	The HCI_Disconnect command is used to terminate an existing BR/EDR or LE connection.	M	C.3

Table 3.1: Alphabetical list of commands and events (Sheet 4 of 50)



Name	Vers.	Summary Description	BR/EDR	LE
Disconnection Complete event	1.1	The HCI_Disconnection_ - Complete event occurs when a connection has been terminated.	M	C.3
Enable Device Under Test Mode command	1.1	The HCI_Enable_Device_Under_ - Test_Mode command will allow the local Controller to enter test mode via LMP test commands. The Host issues this command when it wants the local device to be the DUT for the Testing scenarios as described in the Bluetooth Test Mode document.	C.123	E
Encryption Change event	1.1 5.3	The HCI_Encryption_Change event is used to indicate that the change in encryption has been completed for the specified Connection_Handle.	[v1] M [v2] C.158	[v1] C.4 [v2] C.56
Encryption Key Refresh Complete event	2.1 + EDR	The HCI_Encryption_Key_ - Refresh_Complete event is used to indicate to the Host that the encryption key was refreshed on the given Connection_Handle any time encryption is paused and then resumed.	M	C.4
Enhanced Accept Synchronous Connection Request command	CSA2	The HCI_Enhanced_Accept_ - Synchronous_Connection_ - Request command is used to accept an incoming request for a synchronous connection and to inform the local Link Manager about the acceptable parameter values for the synchronous connection.	C.135	E
Enhanced Flush command	2.1 + EDR	The HCI_Enhanced_Flush command is used to discard specific packets currently pending for transmission in the Controller for the specified Handle. This command takes a parameter specifying the type of packets to be flushed.	M	E
Enhanced Flush Complete event	2.1 + EDR	The HCI_Enhanced_Flush_ - Complete event is used to indicate that an Enhanced Flush is complete.	M	E

Table 3.1: Alphabetical list of commands and events (Sheet 5 of 50)



Name	Vers.	Summary Description	BR/EDR	LE
Enhanced Setup Synchronous Connection command	CSA2	The HCI_Enhanced_Setup_Synchronous_Connection command adds a new or modifies an existing synchronous logical transport (SCO or eSCO) on a physical link depending on the Connection_Handle parameter specified.	C.135	E
Exit Periodic Inquiry Mode command	1.1	The HCI_Exit_Periodic_Inquiry_Mode command is used to end the Periodic Inquiry mode when the local device is in Periodic Inquiry Mode.	C.103	E
Exit Sniff Mode command	1.1	The HCI_Exit_Sniff_Mode command is used to end Sniff mode for a Connection_Handle which is currently in Sniff mode.	C.214	E
Extended Inquiry Result event	2.1 + EDR	The HCI_Extended_Inquiry_Result event indicates that a BR/EDR Controller has responded with an extended inquiry response during the current Inquiry process.	C.147	E
Flow Specification command	1.2	The HCI_Flow_Specification command is used to specify the flow parameters for the traffic carried over the ACL connection identified by the Connection_Handle.	M	E
Flow Specification Complete event	1.2	The HCI_Flow_Specification_Complete event is used to inform the Host about the Quality of Service for the ACL connection the Controller is able to support.	M	E
Flush command	1.1	The HCI_Flush command is used to discard all data that is currently pending for transmission in the Controller for the specified Connection_Handle.	M	E
Flush Occurred event	1.1	The HCI_Flush_Occurred event is used to indicate that, for the specified Handle, the data to be transmitted has been discarded.	M	E
Get MWS Transport Layer Configuration command	CSA3	The HCI_Get_MWS_Transport_Layer_Configuration command reads the supported baud rates from the Controller.	C.109	C.109

Table 3.1: Alphabetical list of commands and events (Sheet 6 of 50)



Name	Vers.	Summary Description	BR/EDR	LE
Hardware Error event	1.1	The HCI_Hardware_Error event is used to indicate some type of hardware failure for the Controller.	O	O
Hold Mode command	1.1	The HCI_Hold_Mode command is used to initiate Hold mode.	C.213	E
Host Buffer Size command	1.1	The HCI_Host_Buffer_Size command is used by the Host to notify the Controller about its buffer sizes for ACL and synchronous data. The Controller will segment the data to be transmitted from the Controller to the Host, so that data contained in HCI Data packets will not exceed these sizes.	C.107	C.107
Host Number Of Completed Packets command	1.1	The HCI_Host_Number_Of_Completed_Packets command is used by the Host to indicate to the Controller when the Host is ready to receive more HCI packets for any Connection_Handle.	C.107	C.107
Inquiry Cancel command	1.1	The HCI_Inquiry_Cancel command will cause the BR/EDR Controller to stop the current Inquiry if the BR/EDR Controller is in Inquiry Mode.	C.127	E
Inquiry command	1.1	The HCI_Inquiry command will cause the BR/EDR Controller to enter Inquiry Mode. Inquiry Mode is used to discovery other nearby BR/EDR Controllers.	C.127	E
Inquiry Complete event	1.1	The HCI_Inquiry_Complete event indicates that the Inquiry is finished.	C.127	E
Inquiry Response Notification event	CSA4	The HCI_Inquiry_Response_Notification event indicates to the Host that the BR/EDR Controller responded to an inquiry message.	C.126	E
Inquiry Result event	1.1	The HCI_Inquiry_Result event indicates that a BR/EDR Controller or multiple BR/EDR Controllers have responded so far during the current Inquiry process.	C.127	E

Table 3.1: Alphabetical list of commands and events (Sheet 7 of 50)



Name	Vers.	Summary Description	BR/EDR	LE
Inquiry Result with RSSI event	1.2	The HCI_Inquiry_Result_with_RSSI event indicates that a BR/EDR Controller or multiple BR/EDR Controllers have responded so far during the current Inquiry process.	C.128	E
IO Capability Request event	2.1 + EDR	The HCI_IO_Capability_Request event is used to indicate that the IO capabilities of the Host are required for a Secure Simple Pairing process.	M	E
IO Capability Request Negative Reply command	2.1 + EDR	The HCI_IO_Capability_Request_Negative_Reply command is used to reject a pairing attempt after an HCI_IO_Capability_Request event has been received by the Host.	M	E
IO Capability Request Reply command	2.1 + EDR	The HCI_IO_Capability_Request_Reply command is used to reply to an HCI_IO_Capability_Request event from the Controller, and specifies the current I/O capabilities of the Host.	M	E
IO Capability Response event	2.1 + EDR	The HCI_IO_Capability_Response event is used to indicate to the Host that IO capabilities from a remote device specified by BD_ADDR have been received during a Secure Simple Pairing process.	M	E
Keypress Notification event	2.1 + EDR	The HCI_Keypress_Notification event is sent to the Host after a passkey notification has been received by the Link Manager on the given BD_ADDR.	M	E
LE Accept CIS Request command	5.2	The HCI_LE_Accept_CIS_Request command is used by the Peripheral's Host to inform the Controller to accept the request for creating the CIS.	E	C.40
LE Add Device To Filter Accept List command	4.0	The HCI_LE_Add_Device_To_Filter_Accept_List command will add a device to the Filter Accept List.	E	M

Table 3.1: Alphabetical list of commands and events (Sheet 8 of 50)



Name	Vers.	Summary Description	BR/EDR	LE
LE Add Device To Periodic Advertiser List command	5.0	The HCI_LE_Add_Device_To_Periodic_Advertiser_List command will add a device to the Periodic Advertiser List.	E	C.21
LE Add Device To Resolving List command	4.2	The HCI_LE_Add_Device_To_Resolving_List command is used to add one device to the resolving list used to resolve Resolvable Private Addresses in the Controller.	E	C.9
LE Advertising Report event	4.0	The HCI_LE_Advertising_Report event indicates that an advertising or scan response packet has been received.	E	C.98
LE Advertising Set Terminated event	5.0	The HCI_LE_Advertising_Set_Terminated event indicates that advertising in a given advertising set has stopped.	E	C.17
LE BIG Create Sync command	5.2	The HCI_LE_BIG_Create_Sync synchronizes and receives PDUs from one or more BISes.	E	C.42
LE BIG Sync Established event	5.2	The HCI_LE_BIG_Sync_Established event indicates that the Controller has completed an attempt to synchronize with the requested BISes.	E	C.42
LE BIG Sync Lost event	5.2	The HCI_LE_BIG_Sync_Lost event indicates that the Controller stopped synchronizing with a BIG.	E	C.42
LE BIG Terminate Sync command	5.2	The HCI_LE_BIG_Terminate_Sync command stops or cancels synchronizing with a BIG.	E	C.42
LE BIGInfo Advertising Report event	5.2	The HCI_LE_BIGInfo_Advertising_Report event indicates that the Controller has received an Advertising PDU that contained a BIGInfo field.	E	C.54
LE Channel Selection Algorithm event	5.0	The HCI_LE_Channel_Selection_Algorithm event indicates the channel selection algorithm used on a connection.	E	C.23
LE CIS Established event	5.2	The HCI_LE_CIS_Established event indicates that the Controller established a CIS.	E	C.38

Table 3.1: Alphabetical list of commands and events (Sheet 9 of 50)



Name	Vers.	Summary Description	BR/EDR	LE
LE CIS Request event	5.2	The HCI_LE_CIS_Request event indicates that the Peripheral's Controller received a request from the Central to create a CIS.	E	C.40
LE Clear Advertising Sets command	5.0	The HCI_LE_Clear_Advertising_Sets command will remove all existing advertising sets from the Controller.	E	C.17
LE Clear Filter Accept List command	4.0	The HCI_LE_Clear_Filter_Accept_List command will clear the Filter Accept List.	E	M
LE Clear Periodic Advertiser List command	5.0	The HCI_LE_Clear_Periodic_Advertiser_List command will clear the Periodic Advertiser List.	E	C.21
LE Clear Resolving List command	4.2	The HCI_LE_Clear_Resolving_List command is used to remove all devices from the resolving list used to resolve Resolvable Private Addresses in the Controller.	E	C.9
LE Connection Complete event	4.0	The HCI_LE_Connection_Complete event indicates to the Host that a new connection has been created.	E	C.3
LE Connection CTE Request Enable command	5.1	The HCI_LE_Connection_CTE_Request_Enable command will request the Controller to start or stop sending of LL_CTE_REQ PDUs on a connection.	E	C.25
LE Connection CTE Response Enable command	5.1	The HCI_LE_Connection_CTE_Response_Enable command will command the Controller to respond to LL_CTE_REQ PDUs with LL_CTE_RSP PDUs.	E	C.26
LE Connection IQ Report event	5.1	The HCI_LE_Connection_IQ_Report event is used to report IQ samples from the Constant Tone Extension field of a received packet containing an LL_CTE_RSP PDU.	E	C.25
LE Connection Update command	4.0	The HCI_LE_Connection_Update command will be used to change the connection parameters of an existing connection.	E	C.62

Table 3.1: Alphabetical list of commands and events (Sheet 10 of 50)



Name	Vers.	Summary Description	BR/EDR	LE
LE Connection Update Complete event	4.0	The HCI_LE_Connection_Update_Complete event indicates the completion of the process to change the connection parameters.	E	C.3
LE Connectionless IQ Report event	5.1	The HCI_LE_Connectionless_IQ_Report event reports IQ information from the Constant Tone Extension of a received advertising packet.	E	C.28
LE Create BIG command	5.2	The HCI_LE_Create_BIG command creates one or more BISes of a BIG.	E	C.41
LE Create BIG Complete event	5.2	The HCI_LE_Create_BIG_Complete event indicates that the Controller completed an attempt to create the BISes that were requested by the Host.	E	C.41
LE Create BIG Test command	5.2	The HCI_LE_Create_BIG_Test command is used to create one or more BISes of a BIG for testing purposes.	E	C.41
LE Create CIS command	5.2	The HCI_LE_Create_CIS command is used by the Central's Host to create one or more CISes.	E	C.39
LE Create Connection Cancel command	4.0	The HCI_LE_Create_Connection_Cancel command is used to cancel an ongoing HCI_LE_Create_Connection command.	E	C.94
LE Create Connection command	4.0	The HCI_LE_Create_Connection command is used to create a new connection.	E	C.59
LE CTE Request Failed event	5.1	The HCI_LE_CTE_Request_Failed event indicates a problem with a request generated by an HCI_LE_Connection_CTE_Request_Enable command for a peer device to send Constant Tone Extensions.	E	C.25
LE Data Length Change event	4.2	The HCI_LE_Data_Length_Change event is used to indicate a change in the maximum packet sizes by the Link Layer.	E	C.8

Table 3.1: Alphabetical list of commands and events (Sheet 11 of 50)



Name	Vers.	Summary Description	BR/EDR	LE
LE Directed Advertising Report event	4.2	The HCI_LE_Directed_Advertising_Report event indicates that directed advertisements have been received where the advertiser is using a resolvable private address for the TargetA field in the ADV_DIRECT_IND PDU and the scanning filter policy is set to send this event to the Host.	E	C.63
LE Enable Encryption command	4.0	The HCI_LE_Enable_Encryption command is used to enable link level encryption.	E	C.60
LE Encrypt command	4.0	The HCI_LE_Encrypt command will encrypt a block of unencrypted data against a key and generate a block of encrypted data.	E	C.4
LE Enhanced Connection Complete event	4.2 5.4	The HCI_LE_Enhanced_Connection_Complete event indicates to the Host that a new connection has been created. This event contains the additional parameters of the local and peer resolvable private addresses.	E	[v1] C.24 [v2] C.69
LE Enhanced Read Transmit Power Level command	5.2	The HCI_LE_Enhanced_Read_Transmit_Power_Level command is used to read the current and maximum transmit power levels used by the local Controller on a specified PHY on an ACL connection.	E	C.51
LE Extended Advertising Report event	5.0	The HCI_LE_Extended_Advertising_Report event indicates that an advertising packet has been received.	E	C.19
LE Extended Create Connection command	5.0 5.4	The LE Extended Create Connection Command is used to create a new connection supporting different initiating PHYs and to initiate a connection with a synchronized device.	E	[v1] C.20 [v2] C.67
LE Generate DHKey command	4.2 5.1	The HCI_LE_Generate_DHKey command is used to initiate generation of a Diffie-Hellman key in the Controller for use over the LE transport.	E	[v1] C.99 [v2] O

Table 3.1: Alphabetical list of commands and events (Sheet 12 of 50)



Name	Vers.	Summary Description	BR/EDR	LE
LE Generate DHKey Complete event	4.2	The HCI_LE_Generate_DHKey_-Complete event indicates that LE Diffie-Hellman key generation has been completed by the Controller.	E	O
LE ISO Read Test Counters command	5.2	The HCI_LE_ISO_Read_Test_-Counters command reads the test counters in the Controller which is configured in ISO Receive Test mode.	E	C.46
LE ISO Receive Test command	5.2	The HCI_LE_ISO_Receive_Test command configures a Link Layer to receive test payloads from an established CIS or a synchronized BIS.	E	C.46
LE ISO Test End command	5.2	The HCI_LE_ISO_Test_End command terminates the ISO Transmit and/or Receive Test mode.	E	C.47
LE ISO Transmit Test command	5.2	The HCI_LE_ISO_Transmit_Test command configures an established CIS or BIS to transmit test payloads that are generated by the Controller.	E	C.45
LE Long Term Key Request event	4.0	The HCI_LE_Long_Term_Key_-Request event indicates that a Long Term Key is required for a connection.	E	C.61
LE Long Term Key Request Negative Reply command	4.0	The HCI_LE_Long_Term_Key_-Request_Negative_Reply command is used to reply to an HCI_LE_Long_Term_Key_-Request event and indicates that the Host does not have a Long Term Key for that connection.	E	C.61
LE Long Term Key Request Reply command	4.0	The HCI_LE_Long_Term_Key_-Request_Reply command is used to reply to an HCI_LE_Long_Term_Key_Request event and includes the Long Term Key stored in the Host for that connection.	E	C.61
LE Modify Sleep Clock Accuracy command	5.1	The HCI_LE_Modify_Sleep_-Clock_Accuracy command requests the Controller changes its sleep clock accuracy for testing purposes.	E	C.37

Table 3.1: Alphabetical list of commands and events (Sheet 13 of 50)



Name	Vers.	Summary Description	BR/EDR	LE
LE Path Loss Threshold event	5.2	The HCI_LE_Path_Loss_Threshold event is used to report a path loss threshold crossing on an ACL connection.	E	C.52
LE Periodic Advertising Create Sync Cancel command	5.0	The HCI_LE_Periodic_Advertising_Create_Sync_Cancel command is used to cancel a pending HCI_LE_Periodic_Advertising_Create_Sync command.	E	C.16
LE Periodic Advertising Create Sync command	5.0	The HCI_LE_Periodic_Advertising_Create_Sync command is used to start receiving periodic advertising packets from an advertiser.	E	C.16
LE Periodic Advertising Report event	5.0 5.4	The HCI_LE_Periodic_Advertising_Report event indicates that a periodic advertising packet has been received.	E	[v1] C.21 [v2] C.68
LE Periodic Advertising Set Info Transfer command	5.1	The HCI_LE_Periodic_Advertising_Set_Info_Transfer command is used to send periodic advertising synchronization information, describing periodic advertising events that the Controller is transmitting, to a connected Controller.	E	C.34
LE Periodic Advertising Response Report event	5.4	The HCI_LE_Periodic_Advertising_Response_Report event is used to report response data to a Host.	E	C.67
LE Periodic Advertising Subevent Data Request event	5.4	The HCI_LE_Periodic_Advertising_Subevent_Data_Request event is used to request subevent data from a Host.	E	C.67
LE Periodic Advertising Sync Established event	5.0 5.4	The HCI_LE_Periodic_Advertising_Sync_Established event indicates that the Controller has started receiving periodic advertising packets from an advertiser.	E	[v1] C.16 [v2] C.68
LE Periodic Advertising Sync Lost event	5.0	The HCI_LE_Periodic_Advertising_Sync_Lost event indicates the Controller has ended receiving a periodic advertising train.	E	C.21

Table 3.1: Alphabetical list of commands and events (Sheet 14 of 50)



Name	Vers.	Summary Description	BR/EDR	LE
LE Periodic Advertising Sync Transfer command	5.1	The HCI_LE_Periodic_Advertising_Sync_Transfer command is used to send periodic advertising synchronization information to a connected Controller.	E	C.33
LE Periodic Advertising Sync Transfer Received event	5.1 5.4	The HCI_LE_Periodic_Advertising_Sync_Transfer_Received event reports reception of periodic advertising synchronization information from a connected Controller.	E	[v1] C.35 [v2] C.68
LE Periodic Advertising Terminate Sync command	5.0	The HCI_LE_Periodic_Advertising_Terminate_Sync command is used to end receiving of a periodic advertising train.	E	C.21
LE PHY Update Complete event	5.0	The HCI_LE_PHY_Update_Complete event is used to inform the Host of the current PHY.	E	C.11
LE Rand command	4.0	The HCI_LE_Rand command will generate a random number.	E	C.4
LE Read Advertising Physical Channel Tx Power command	4.0	The HCI_LE_Read_Advertising_Physical_Channel_Tx_Power command will read the transmit power level that will be used for advertising.	E	C.97
LE Read Antenna Information command	5.1	The HCI_LE_Read_Antenna_Information command allows the Host to read the switching rates, the sampling rates, the number of antennae, and the maximum length of the Constant Tone Extension supported by the Controller.	E	C.31
LE Read Buffer Size command	4.0	The HCI_LE_Read_Buffer_Size command returns the size of the HCI buffers. These buffers are used by the LE Controller to buffer data that is to be transmitted.	E	[v1] C.3 [v2] C.55
LE Read Channel Map command	4.0	The HCI_LE_Read_Channel_Map command will read the current state of the channel map for a connection.	E	C.3
LE Read Filter Accept List Size command	4.0	The HCI_LE_Read_Filter_Accept_List_Size command will read the maximum number of Filter Accept List entries that this Controller supports.	E	M

Table 3.1: Alphabetical list of commands and events (Sheet 15 of 50)



Name	Vers.	Summary Description	BR/EDR	LE
LE Read ISO Link Quality command	5.2	The HCI_LE_Read_ISO_Link_ - Quality command returns the value of various counters related to link quality on an isochronous stream.	E	C.50
LE Read ISO TX Sync command	5.2	The HCI_LE_Read_ISO_TX_Sync command is used to read the Time_Stamp and Time_Offset of a transmitted SDU.	E	C.45
LE Read Local P-256 Public Key command	4.2	The HCI_LE_Read_Local_P-256_ - Public_Key command is used to return the local P-256 public key from the Controller.	E	O
LE Read Local P-256 Public Key Complete event	4.2	The HCI_LE_Read_Local_P-256_ - Public_Key_Complete event is generated when local P-256 key generation is complete.	E	O
LE Read Local Resolvable Address command	4.2	The HCI_LE_Read_Local_ - Resolvable_Address command is used to get the current local Resolvable Private Address being used for the corresponding peer Identity Address.	E	C.10
LE Read Local Supported Features command	4.0	The HCI_LE_Read_Local_ - Supported_Features command will read the version information for the local LE Controller.	E	M
LE Read Maximum Advertising Data Length command	5.0	The HCI_LE_Read_Maximum_ - Advertising_Data_Length command will read the maximum length of advertising data that the advertising Controller supports in a given advertising set.	E	C.17
LE Read Maximum Data Length command	4.2	The HCI_LE_Read_Maximum_ - Data_Length command allows the Host to read the Controller's supportedMaxTxOctets, supportedMaxTxTime, supportedMaxRxOctets, and supportedMaxRxTime parameters.	E	C.8

Table 3.1: Alphabetical list of commands and events (Sheet 16 of 50)



Name	Vers.	Summary Description	BR/EDR	LE
LE Read Number of Supported Advertising Sets command	5.0	The HCI_LE_Read_Number_of_Supported_Advertising_Sets command will read the maximum number of advertising sets supported by the advertising Controller at the same time.	E	C.17
LE Read Peer Resolvable Address command	4.2	The HCI_LE_Read_Peer_Resolvable_Address command is used to get the current peer Resolvable Private Address being used for the corresponding peer Public and Random (static) Identity Address.	E	C.10
LE Read Periodic Advertiser List Size command	5.0	The HCI_LE_Read_Periodic_Advertiser_List_Size command will read the maximum number of Periodic Advertiser List entries that the Controller supports.	E	C.21
LE Read PHY command	5.0	The HCI_LE_Read_PHY command will read the current PHY.	E	C.11
LE Read Remote Features command	4.0	The HCI_LE_Read_Remote_Features command is used to read the features used on a connection and the features supported by a remote LE device.	E	C.3
LE Read Remote Features Complete event	4.0	The HCI_LE_Read_Remote_Features_Complete event indicates the completion of the process to read the features used on a connection and the features supported by a remote LE device.	E	C.3
LE Read Remote Transmit Power Level command	5.2	The HCI_LE_Read_Remote_Transmit_Power_Level command is used to read the transmit power level used by the remote Controller on a specified PHY on an ACL connection.	E	C.51
LE Read Resolving List Size command	4.2	The HCI_LE_Read_Resolving_List_Size command is used to read the total number of entries in the resolving list that can be stored in the Controller.	E	C.9
LE Read RF Path Compensation command	5.0	The HCI_LE_Read_RF_Path_Compensation command is used to read the RF Path Compensation Value.	E	C.22

Table 3.1: Alphabetical list of commands and events (Sheet 17 of 50)



Name	Vers.	Summary Description	BR/EDR	LE
LE Read Suggested Default Data Length command	4.2	The HCI_LE_Read_Suggested_Default_Data_Length command allows the Host to read the initial MaxTxOctets and MaxTxTime values for new connections it suggested to the Controller.	E	C.8
LE Read Supported States command	4.0	The HCI_LE_Read_Supported_States command will read the current supported state and role combinations for the local LE Controllers.	E	M
LE Read Transmit Power command	5.0	The HCI_LE_Read_Transmit_Power command will read the minimum and maximum transmit powers supported by the Controller.	E	C.64
LE Receiver Test command	4.0 5.0 5.1	The HCI_LE_Receiver_Test command will run the LE receiver test.	E	[v1] C.2 [v2] C.13 [v3] C.30
LE Reject CIS Request command	5.2	The HCI_LE_Reject_CIS_Request command is used by the Peripheral's Host to inform the Controller to reject the request for creating the CIS.	E	C.40
LE Remote Connection Parameter Request event	4.1	The LE Remote Connection Parameter Request event is used to indicate to the Host that the remote device is requesting a change in the connection parameters.	E	C.6
LE Remote Connection Parameter Request Negative Reply command	4.1	The HCI_LE_Remote_Connection_Parameter_Request_Negative_Reply command is used to reject the remote device's request to change the connection parameters of the LE connection.	E	C.6
LE Remote Connection Parameter Request Reply command	4.1	The HCI_LE_Remote_Connection_Parameter_Request_Reply command is used to accept the remote device's request to change the connection parameters of the LE connection.	E	C.6

Table 3.1: Alphabetical list of commands and events (Sheet 18 of 50)



Name	Vers.	Summary Description	BR/EDR	LE
LE Remove Advertising Set command	5.0	The HCI_LE_Remove_Advertising_Set command will remove an advertising set from the Controller.	E	C.17
LE Remove CIG command	5.2	The HCI_LE_Remove_CIG command is used by the Central's Host to remove a CIG from the Controller.	E	C.39
LE Remove Device From Filter Accept List command	4.0	The HCI_LE_Remove_Device_From_Filter_Accept_List command will remove a single device from the Filter Accept List.	E	M
LE Remove Device From Periodic Advertiser List command	5.0	The HCI_LE_Remove_Device_From_Periodic_Advertiser_List command will remove a single device from the Periodic Advertiser List.	E	C.21
LE Remove Device From Resolving List command	4.2	The HCI_LE_Remove_Device_From_Resolving_List command is used to remove one device from the resolving list used to resolve Resolvable Private Addresses in the Controller.	E	C.9
LE Remove ISO Data Path command	5.2	The HCI_LE_Remove_ISO_Data_Path command removes an isochronous data path between the Host and the Controller.	E	C.47
LE Request Peer SCA command	5.2	The HCI_LE_Request_Peer_SCA command requests the Sleep Clock Accuracy of the peer device.	E	C.44
LE Request Peer SCA Complete event	5.2	The HCI_LE_Request_Peer_SCA_Complete event indicates that the Controller completed the attempt to read the Sleep Clock Accuracy (SCA) of the peer device.	E	C.95
LE Scan Request Received event	5.0	The HCI_LE_Scan_Request_Received event indicates that a scan request has been received.	E	C.17
LE Scan Timeout event	5.0	The HCI_LE_Scan_Timeout event indicates that scanning has finished.	E	C.19

Table 3.1: Alphabetical list of commands and events (Sheet 19 of 50)



Name	Vers.	Summary Description	BR/EDR	LE
LE Set Address Resolution Enable command	4.2	The HCI_LE_Set_Address_Resolution_Enable command is used to enable resolution of Resolvable Private Addresses in the Controller.	E	C.9
LE Set Advertising Data command	4.0	The HCI_LE_Set_Advertising_Data command will set the data transmitted when advertising.	E	C.97
LE Set Advertising Enable command	4.0	The HCI_LE_Set_Advertising_Enable command will enable or disable advertising.	E	C.97
LE Set Advertising Parameters command	4.0	The HCI_LE_Set_Advertising_Parameters command will set the parameters used for advertising.	E	C.97
LE Set Advertising Set Random Address command	5.0	The HCI_LE_Set_Advertising_Set_Random_Address command will set the random address used in advertising.	E	C.17
LE Set CIG Parameters command	5.2	The HCI_LE_Set_CIG_Parameters command is used by a Central's Host to set the parameters of one or more Connected Isochronous Streams (CISes) that are associated with a CIG in the Controller.	E	C.39
LE Set CIG Parameters Test command	5.2	The HCI_LE_Set_CIG_Parameters_Test command is used by a Central's Host to set the parameters of one or more CISes that are associated with a CIG in the Controller for testing purposes.	E	C.39
LE Set Connection CTE Receive Parameters command	5.1	The HCI_LE_Set_Connection_CTE_Receive_Parameters command will set the antenna-switching pattern, switching and sampling slot durations for receiving the Constant Tone Extension on a connection.	E	C.25
LE Set Connection CTE Transmit Parameters command	5.1	The HCI_LE_Set_Connection_CTE_Transmit_Parameters command will set the antenna-switching pattern, switching and sampling slot durations for transmitting the Constant Tone Extension on a connection.	E	C.26

Table 3.1: Alphabetical list of commands and events (Sheet 20 of 50)



Name	Vers.	Summary Description	BR/EDR	LE
LE Set Connectionless CTE Transmit Enable command	5.1	The HCI_LE_Set_Connectionless_CTE_Transmit_Enable command will request the Controller to enable or disable sending packets containing a Constant Tone Extension.	E	C.27
LE Set Connectionless CTE Transmit Parameters command	5.1	The HCI_LE_Set_Connectionless_CTE_Transmit_Parameters command will set the antenna-switching pattern and switching and sampling slot durations for the transmission of Constant Tone Extensions.	E	C.27
LE Set Connectionless IQ Sampling Enable command	5.1	The HCI_LE_Set_Connectionless_IQ_Sampling_Enable command will request the Controller to enable or disable taking IQ samples from the Constant Tone Extension of advertising packets.	E	C.28
LE Set Data Length command	4.2	The HCI_LE_Set_Data_Length command is used to suggest maximum packet sizes to the Controller.	E	C.8
LE Set Data Related Address Changes command	5.3	The HCI_LE_Set_Data_Related_Address_Changes command specifies circumstances when the Controller shall refresh any Resolvable Private Address used by an advertising set, whether or not the address timeout period has been reached.	E	C.10
LE Set Default Periodic Advertising Sync Transfer Parameters command	5.1	The HCI_LE_Set_Default_Periodic_Advertising_Sync_Transfer_Parameters command is used to specify the default behavior of the Controller when periodic advertising synchronization information is received from a connected Controller.	E	C.35
LE Set Default PHY command	5.0	The HCI_LE_Set_Default_PHY command is used to configure preferred PHYs for new connections for the local device.	E	C.11

Table 3.1: Alphabetical list of commands and events (Sheet 21 of 50)



Name	Vers.	Summary Description	BR/EDR	LE
LE Set Default Subrate command	5.3	The HCI_LE_Set_Default_Subrate command sets the range of the min and max subrates and other subrate parameters on a Central that may be requested by a Peripheral.	E	C.57
LE Set Event Mask command	4.0	The HCI_LE_Set_Event_Mask command is used to control which events are generated by the HCI for the Host.	E	M
LE Set Extended Advertising Data command	5.0	The HCI_LE_Set_Extended_Advertising_Data command will set the advertising data transmitted when advertising.	E	C.17
LE Set Extended Advertising Enable command	5.0	The HCI_LE_Set_Extended_Advertising_Enable command will enable or disable advertising.	E	C.17
LE Set Extended Advertising Parameters command	5.0 5.4	The HCI_LE_Set_Extended_Advertising_Parameters command will set the parameters used for advertising.	E	[v1] C.65 [v2] C.66
LE Set Extended Scan Enable command	5.0	The HCI_LE_Set_Extended_Scan_Enable command will enable or disable scanning on the primary advertising physical channels.	E	C.19
LE Set Extended Scan Parameters command	5.0	The HCI_LE_Set_Extended_Scan_Parameters command will set the parameters used for scanning on the primary advertising physical channel.	E	C.19
LE Set Extended Scan Response Data command	5.0	The HCI_LE_Set_Extended_Scan_Response_Data command will set the data transmitted in a scan response.	E	C.17
LE Set Host Channel Classification command	4.0	The HCI_LE_Set_Host_Channel_Classification command allows the Host to specify a channel classification based on its “local information”.	E	C.36
LE Set Host Feature command	5.2	The HCI_LE_Set_Host_Feature command is used to set or clear a bit controlled by the Host in the Link Layer FeatureSet stored in the Controller.	E	C.49

Table 3.1: Alphabetical list of commands and events (Sheet 22 of 50)



Name	Vers.	Summary Description	BR/EDR	LE
LE Set Path Loss Reporting Enable command	5.2	The HCI_LE_Set_Path_Loss_Reporting_Enable command is used to enable or disable path loss reporting events for an ACL connection.	E	C.52
LE Set Path Loss Reporting Parameters command	5.2	The HCI_LE_Set_Path_Loss_Reporting_Parameters command is used to set the path loss threshold and related parameters used to trigger reports for an ACL connection.	E	C.52
LE Set Periodic Advertising Data command	5.0	The HCI_LE_Set_Periodic_Advertising_Data command will set the periodic advertising data transmitted when advertising.	E	C.18
LE Set Periodic Advertising Enable command	5.0	The HCI_LE_Set_Periodic_Advertising_Enable command will enable or disable periodic advertising.	E	C.18
LE Set Periodic Advertising Parameters command	5.0 5.4	The HCI_LE_Set_Periodic_Advertising_Parameters command will set the parameters used for periodic advertising.	E	[v1] C.18 [v2] C.67
LE Set Periodic Advertising Receive Enable command	5.1	The HCI_LE_Set_Periodic_Advertising_Receive_Enable command will enable or disable periodic advertising reports once synchronized.	E	C.32
LE Set Periodic Advertising Response Data command	5.4	The HCI_LE_Set_Periodic_Advertising_Response_Data command is used to set the data for a response slot.	E	C.68
LE Set Periodic Advertising Subevent Data command	5.4	The HCI_LE_Set_Periodic_Advertising_Subevent_Data command is used to send subevent data for one or more subevents.	E	C.67
LE Set Periodic Sync Subevent command	5.4	The HCI_LE_Set_Periodic_Sync_Subevent command is used to configure the subset of subevents a device will synchronize with.	E	C.68

Table 3.1: Alphabetical list of commands and events (Sheet 23 of 50)



Name	Vers.	Summary Description	BR/EDR	LE
LE Set Periodic Advertising Sync Transfer Parameters command	5.1	The HCI_LE_Set_Periodic_Advertising_Sync_Transfer_Parameters command is used to allow the Host to specify the behavior of the Controller when periodic advertising synchronization information is received from a connected Controller.	E	C.35
LE Set PHY command	5.0	The HCI_LE_Set_PHY command is used to request a change of the PHY for a Connection_Handle.	E	C.11
LE Set Privacy Mode command	5.0	The HCI_LE_Set_Privacy_Mode command is used to allow the Host to specify the privacy mode for an entry on the resolving list.	E	C.9
LE Set Random Address command	4.0	The HCI_LE_Set_Random_Address command will set the Random Device Address that may be used in a packet sent on the advertising physical channel.	E	C.1
LE Set Resolvable Private Address Timeout command	4.2	The HCI_LE_Set_Resolvable_Private_Address_Timeout sets the length of time the Controller uses a random private address before a new random private address is generated and starts being used.	E	C.9
LE Set Scan Enable command	4.0	The HCI_LE_Set_Scan_Enable command will enable or disable scanning.	E	C.98
LE Set Scan Parameters command	4.0	The HCI_LE_Set_Scan_Parameters command will set the parameters used for scanning.	E	C.98
LE Set Scan Response Data command	4.0	The HCI_LE_Set_Scan_Response_Data command will set the data transmitted in a scan response.	E	C.15
LE Set Transmit Power Reporting Enable command	5.2	The HCI_LE_Set_Transmit_Power_Reporting_Enable command is used to enable or disable reporting to the local Host of transmit power level changes on an ACL connection.	E	C.51

Table 3.1: Alphabetical list of commands and events (Sheet 24 of 50)



Name	Vers.	Summary Description	BR/EDR	LE
LE Setup ISO Data Path command	5.2	The HCI_LE_Setup_ISO_Data_Path command identifies and creates the isochronous data path between the Host and the Controller and optionally configures the codec in the Controller.	E	C.47
LE Subrate Change event	5.3	The HCI_LE_Subrate_Change event indicates that a new subrate factor has been applied to an existing ACL connection.	E	C.57
LE Subrate Request command	5.3	The HCI_LE_Subrate_Request command modifies an existing ACL connection by applying a subrate factor.	E	C.57
LE Terminate BIG command	5.2	The HCI_LE_Terminate_BIG command terminates the transmission of all BISes of a BIG or cancels the process of creating a BIG.	E	C.41
LE Terminate BIG Complete event	5.2	The HCI_LE_Terminate_BIG_Complete event indicates that the transmission of all the BISes in the BIG have been terminated.	E	C.41
LE Test End command	4.0	The HCI_LE_Test_End command will end the current the receiver or transmitter test.	E	M
LE Transmit Power Reporting event	5.2	The HCI_LE_Transmit_Power_Reporting event is used to report the transmit power level on the ACL connection.	E	C.51
LE Transmitter Test command	4.0 5.0 5.1 5.2	The HCI_LE_Transmitter_Test command will run the LE transmitter test.	E	[v1] C.1 [v2] C.12 [v3] C.29 [v4] C.53
LE Write RF Path Compensation command	5.0	The HCI_LE_Write_RF_Path_Compensation command is used to indicate the RF path gain or loss from the RF transceiver output to the antenna output contributed by intermediate components.	E	C.22

Table 3.1: Alphabetical list of commands and events (Sheet 25 of 50)



Name	Vers.	Summary Description	BR/EDR	LE
LE Write Suggested Default Data Length command	4.2	The HCI_LE_Write_Suggested_Default_Data_Length command allows the Host to suggest initial MaxTxOctets and MaxTxTime values for new connections.	E	C.8
Link Key Notification event	1.1	The HCI_Link_Key_Notification event is used to indicate to the Host that a new Link Key has been created for the connection with the BR/EDR Controller specified in BD_ADDR.	M	E
Link Key Request event	1.1	The HCI_Link_Key_Request event is used to indicate that a Link Key is required for the connection with the device specified in BD_ADDR.	M	E
Link Key Request Negative Reply command	1.1	The HCI_Link_Key_Request_Negative_Reply command is used to reply to an HCI_Link_Key_Request event from the BR/EDR Controller if the Host does not have a stored Link Key for the connection with the other BR/EDR Controller specified by BD_ADDR.	M	E
Link Key Request Reply command	1.1	The HCI_Link_Key_Request_Reply command is used to reply to an HCI_Link_Key_Request event from the BR/EDR Controller, and specifies the Link Key stored on the Host to be used as the link key for the connection with the other BR/EDR Controller specified by BD_ADDR.	M	E
Link Key Selection command	1.1	The HCI_Link_Key_Selection command is used to force both BR/EDR Controllers of a connection associated to the Connection_Handle to use the temporary link key of the Central or the regular link keys.	C.215	E
Link Key Type Changed event	1.1	The HCI_Link_Key_Type_Changed event is used to indicate that the change in the temporary Link Key or in the semi-permanent link keys on the Bluetooth Central side has been completed.	C.215	E

Table 3.1: Alphabetical list of commands and events (Sheet 26 of 50)



Name	Vers.	Summary Description	BR/EDR	LE
Link Supervision Timeout Changed event	2.1 + EDR	The HCI_Link_Supervision_Timeout_Changed event indicates that the remote device changed the Link Supervision Timeout.	M	E
Loopback Command event	1.1	The HCI_Loopback_Command event is used to loop back all commands that the Host sends to the BR/EDR Controller with some exceptions.	C.123	E
Max Slots Change event	1.1	The HCI_Max_Slots_Change event is used to indicate a change in the max slots by the LM.	C.132	E
Mode Change event	1.1	The HCI_Mode_Change event is used to indicate that the current mode has changed.	C.144	E
Number Of Completed Data Blocks event	3.0 + HS	The HCI_Number_Of_Completed_Data_Blocks event is used by the Controller to indicate to the Host how many HCI ACL Data packets have been completed and how many data block buffers have been freed for each Handle since the previous HCI_Number_Of_Completed_Data_Blocks event was sent.	C.124	E
Number Of Completed Packets event	1.1	The HCI_Number_Of_Completed_Packets event is used by the Controller to indicate to the Host how many HCI Data packets have been completed for each Connection_Handle since the previous HCI_Number_Of_Completed_Packets event was sent.	M	C.3
Page Scan Repetition Mode Change event	1.1	The HCI_Page_Scan_Repetition_Mode_Change event indicates that the connected remote BR/EDR Controller with the specified Connection_Handle has successfully changed the Page Scan Repetition Mode (SR).	O	E
Periodic Inquiry Mode command	1.1	The HCI_Periodic_Inquiry_Mode command is used to configure the BR/EDR Controller to perform an automatic Inquiry based on a specified period range.	C.128	E

Table 3.1: Alphabetical list of commands and events (Sheet 27 of 50)



Name	Vers.	Summary Description	BR/EDR	LE
Peripheral Page Response Timeout event	CSA4	The HCI_Peripheral_Page_Response_Timeout event indicates to the Host that the <i>pagerespTO</i> has been exceeded on the BR/EDR Controller after the Controller responded to an ID packet.	O	E
PIN Code Request event	1.1	The HCI_PIN_Code_Request event is used to indicate that a PIN code is required to create a new link key for a connection.	M	E
PIN Code Request Negative Reply command	1.1	The HCI_PIN_Code_Request_Negative_Reply command is used to reply to an HCI_PIN_Code_Request event from the Controller when the Host cannot specify a PIN code to use for a connection.	M	E
PIN Code Request Reply command	1.1	The HCI_PIN_Code_Request_Reply command is used to reply to an HCI_PIN_Code_Request event from the Controller and specifies the PIN code to use for a connection.	M	E
QoS Setup command	1.1	The HCI_QoS_Setup command is used to specify Quality of Service parameters for a Connection_Handle.	M	E
QoS Setup Complete event	1.1	The HCI_QoS_Setup_Complete event is used to indicate that QoS is set up.	M	E
QoS Violation event	1.1	The HCI_QoS_Violation event is used to indicate the Controller's Link Manager is unable to provide the current QoS requirement for the Handle.	M	E
Read AFH Channel Assessment Mode command	1.2	The HCI_Read_AFH_Channel_Assessment_Mode command will read the value for the AFH Channel Classification Mode parameter. This value is used to enable or disable the Controller's channel assessment scheme.	C.140	C.58
Read AFH Channel Map command	1.2	The HCI_Read_AFH_Channel_Map command will read the current state of the channel map for a connection.	C.139	E

Table 3.1: Alphabetical list of commands and events (Sheet 28 of 50)



Name	Vers.	Summary Description	BR/EDR	LE
Read Authenticated Payload Timeout command	4.1	The HCI_Read_Authenticated_Payload_Timeout command is used to read the Authenticated Payload Timeout parameter, which is used to set the maximum time between packets being received from the remote device without a valid MIC.	C.155	C.155
Read Authentication Enable command	1.1	The HCI_Read_Authentication_Enable command will read the value for the Authentication Enable parameter, which controls whether the Bluetooth device will require authentication for each connection with other Bluetooth devices.	C.111	E
Read Automatic Flush Timeout command	1.1	The HCI_Read_Automatic_Flush_Timeout command will read the value for the Flush Timeout configuration parameter for the specified Connection_Handle. The Flush Timeout parameter is only used for ACL connections.	M	E
Read BD_ADDR command	1.1	The HCI_Read_BD_ADDR command will read the value for the BD_ADDR parameter.	M	M
Read Buffer Size command	1.1	The HCI_Read_Buffer_Size command returns the size of the HCI buffers. These buffers are used by the Controller to buffer data that is to be transmitted.	M	E
Read Class of Device command	1.1	The HCI_Read_Class_of_Device command will read the value for the Class of Device configuration parameter, which is used to indicate its capabilities to other devices.	M	E
Read Clock command	1.2	The HCI_Read_Clock command will read an estimate of a piconet or the local Bluetooth Clock.	O	E
Read Clock Offset command	1.1	The HCI_Read_Clock_Offset command allows the Host to read the clock offset of remote BR/EDR Controllers.	O	E

Table 3.1: Alphabetical list of commands and events (Sheet 29 of 50)



Name	Vers.	Summary Description	BR/EDR	LE
Read Clock Offset Complete event	1.1	The HCI_Read_Clock_Offset - Complete event is used to indicate the completion of the process of the LM obtaining the Clock offset information.	C.104	E
Read Connection Accept Timeout command	1.1	The HCI_Read_Connection_Accept_Timeout command will read the value for the Connection Accept Timeout configuration parameter, which allows the Controller to automatically deny a connection request after a specified period has occurred, and to refuse a new connection.	M	C.40
Read Current IAC LAP command	1.1	The HCI_Read_Current_IAC - LAP command will read the LAP(s) used to create the Inquiry Access Codes (IAC) that the local BR/EDR Controller is simultaneously scanning for during Inquiry Scans.	C.125	E
Read Data Block Size command	3.0 + HS	The HCI_Read_Data_Block_Size command returns the maximum size of the HCI buffers. These buffers are used by the Controller to buffer data that is to be transmitted.	C.124	E
Read Default Erroneous Data Reporting command	2.1 + EDR	The HCI_Read_Default_Erroneous_Data_Reporting command will read the value for the Erroneous Data Reporting configuration parameter, which controls whether the BR/EDR Controller will provide data for every (e)SCO interval, with the Packet_Status_Flag in HCI Synchronous Data packets set according to HCI Synchronous Data packets.	C.112	E
Read Default Link Policy Settings command	1.2	The HCI_Read_Default_Link_Policy_Settings command will read the Default Link Policy configuration parameter for all new connections.	C.141	E
Read Encryption Key Size command	3.0 + HS	The HCI_Read_Encryption_Key_Size command is used to read the encryption key size on a given Connection_Handle.	M	E

Table 3.1: Alphabetical list of commands and events (Sheet 30 of 50)



Name	Vers.	Summary Description	BR/EDR	LE
Read Enhanced Transmit Power Level command	3.0 + HS	The HCI_Read_Enhanced_Transmit_Power_Level command will read the values for the GFSK, $\pi/4$ -DQPSK and 8DPSK Transmit Power Level parameters for the specified Connection_Handle.	C.217	E
Read Extended Inquiry Length command	4.1	The HCI_Read_Extended_Inquiry_Length command is used to read the Extended Inquiry Length parameter from the Controller.	C.113	E
Read Extended Inquiry Response command	2.1 + EDR	The HCI_Read_Extended_Inquiry_Response command will read the data that the BR/EDR Controller sends in the extended inquiry response packet during inquiry response.	C.205	E
Read Extended Page Timeout command	4.1	The HCI_Read_Extended_Page_Timeout command is used to read the Extended Page Timeout parameter from the Controller.	C.114	E
Read Failed Contact Counter command	1.1	The HCI_Read_Failed_Contact_Counter command will read the value for the Failed Contact Counter configuration parameter for a particular connection to another device.	M	E
Read Flow Control Mode command	3.0 + HS	The HCI_Read_Flow_Control_Mode command returns the value of the Flow_Control_Mode configuration parameter supported by this Controller.	C.124	E
Read Hold Mode Activity command	1.1	The HCI_Read_Hold_Mode_Activity command is used to read which activities should be suspended when the BR/EDR Controller is in Hold mode.	C.213	E
Read Inquiry Mode command	1.2	The HCI_Read_Inquiry_Mode command is used to read the Inquiry Mode configuration parameter of the local BR/EDR Controller.	C.115	E

Table 3.1: Alphabetical list of commands and events (Sheet 31 of 50)



Name	Vers.	Summary Description	BR/EDR	LE
Read Inquiry Response Transmit Power Level command	2.1 + EDR	The HCI_Read_Inquiry_Response_Transmit_Power_Level command will read the inquiry response Transmit Power level used to transmit the FHS and EIR data packets. This can be used directly in the Tx Power Level EIR data type.	C.125	E
Read Inquiry Scan Activity command	1.1	The HCI_Read_Inquiry_Scan_Activity command will read the value for Inquiry Scan Interval and Inquiry Scan Window configuration parameters. Inquiry Scan Interval defines the amount of time between consecutive inquiry scans. Inquiry Scan Window defines the amount of time for the duration of the inquiry scan.	C.125	E
Read Inquiry Scan Type command	1.2	The HCI_Read_Inquiry_Scan_Type command is used to read the Inquiry Scan Type configuration parameter of the local BR/EDR Controller. The Inquiry Scan Type configuration parameter can set the inquiry scan to either normal or interlaced scan.	C.125	E
Read LE Host Support command	4.0	The HCI_Read_LE_Host_Support command reads the LE Supported Host setting from the BR/EDR Controller.	C.116	E
Read Link Policy Settings command	1.1	The HCI_Read_Link_Policy_Settings command will read the Link Policy configuration parameter for the specified Connection_Handle. The Link Policy settings allow the Host to specify which Link Modes the Link Manager can use for the specified Connection_Handle.	C.141	E
Read Link Quality command	1.1	The HCI_Read_Link_Quality command will read the value for the Link Quality for the specified Connection_Handle.	O	E

Table 3.1: Alphabetical list of commands and events (Sheet 32 of 50)



Name	Vers.	Summary Description	BR/EDR	LE
Read Link Supervision Timeout command	1.1	The HCI_Read_Link_Supervision_Timeout command will read the value for the Link Supervision Timeout configuration parameter for the device. This parameter is used by the Controller to determine link loss.	C.117	E
Read LMP Handle command	1.2	The HCI_Read_LMP_Handle command will read the current LMP Handle associated with the Connection_Handle.	C.134	E
Read Local Extended Features command	1.2	The HCI_Read_Local_Extended_Features command requests a list of the supported extended features for the local device.	C.220	E
Read Local Name command	1.1	The HCI_Read_Local_Name command provides the ability to read the stored user-friendly name for the BR/EDR Controller.	M	E
Read Local OOB Data command	2.1 + EDR	The HCI_Read_Local_OOB_Data command is used to obtain a Secure Simple Pairing Hash C and Randomizer R which are intended to be transferred to a remote device using an OOB mechanism.	M	E
Read Local OOB Extended Data command	4.1	The HCI_Read_Local_OOB_Extended_Data command is used to obtain a Secure Simple Pairing Hash C and Randomizer R associated with both P-192 and P-256 public keys, which are intended to be transferred to a remote device using an OOB mechanism.	C.142	E
Read Local Simple Pairing Options command	Erratum 10734	The HCI_Read_Local_Simple_Pairing_Options command is used to read the Secure Simple Pairing options and the maximum encryption key size supported.	O	E
Read Local Supported Codec Capabilities command	5.2	The HCI_Read_Local_Supported_Codec_Capabilities command is used by a Host to query codec capabilities.	C.156	C.156
Read Local Supported Codecs command	CSA2 5.2	The HCI_Read_Local_Supported_Codecs command is used by a Host to query a Controller's supported codecs.	[v1] C.157 [v2] O	[v1] E [v2] O

Table 3.1: Alphabetical list of commands and events (Sheet 33 of 50)



Name	Vers.	Summary Description	BR/EDR	LE
Read Local Supported Commands command	1.2	The HCI_Read_Local_Supported_Commands command requests a list of the supported HCI commands for the local device.	M	M
Read Local Supported Controller Delay command	5.2	The HCI_Read_Local_Supported_Controller_Delay command is used by a Host to query a range of supported Controller delays for a given codec configuration.	C.156	C.156
Read Local Supported Features command	1.1	The HCI_Read_Local_Supported_Features command requests a list of the supported features for the local device.	M	M
Read Local Version Information command	1.1	The HCI_Read_Local_Version_Information command will read the version information for the local Controller.	M	M
Read Loopback Mode command	1.1	The HCI_Read_Loopback_Mode command will read the value for the setting of the BR/EDR Controller's Loopback Mode. The setting of the Loopback Mode will determine the path of information.	C.123	E
Read Num Broadcast Retransmissions command	1.1	The HCI_Read_Num_Broadcast_Retransmissions command will read the parameter value for the Number of Broadcast Retransmissions for the BR/EDR Controller.	C.118	E
Read Number Of Supported IAC command	1.1	The HCI_Read_Number_Of_Supported_IAC command will read the value for the number of Inquiry Access Codes (IAC) that the local BR/EDR Controller can simultaneously listen for during an Inquiry Scan.	C.125	E
Read Page Scan Activity command	1.1	The HCI_Read_Page_Scan_Activity command will read the values for the Page Scan Interval and Page Scan Window configuration parameters. Page Scan Interval defines the amount of time between consecutive page scans. Page Scan Window defines the duration of the page scan.	M	E

Table 3.1: Alphabetical list of commands and events (Sheet 34 of 50)



Name	Vers.	Summary Description	BR/EDR	LE
Read Page Scan Type command	1.2	The HCI_Read_Page_Scan_Type command is used to read the page scan type of the local BR/EDR Controller. The Page Scan Type configuration parameter can set the page scan to either normal or interlaced scan.	C.119	E
Read Page Timeout command	1.1	The HCI_Read_Page_Timeout command will read the value for the Page Reply Timeout configuration parameter, which determines the time the BR/EDR Controller will wait for the remote device to respond to a connection request before the local device returns a connection failure.	M	E
Read PIN Type command	1.1	The HCI_Read_PIN_Type command is used for the Host to read the value that is specified to indicate whether the Host supports variable PINs or only fixed PINs.	C.120	E
Read Remote Extended Features command	1.2	The HCI_Read_Remote_Extended_Features command requests a list of the supported extended features of a remote device.	C.220	E
Read Remote Extended Features Complete event	1.2	The HCI_Read_Remote_Extended_Features_Complete event is used to indicate the completion of the process of the Link Manager obtaining the supported Extended features of the remote BR/EDR Controller specified by the Connection_Handle event parameter.	C.220	E
Read Remote Supported Features command	1.1	The HCI_Read_Remote_Supported_Features command requests a list of the supported features of a remote device.	M	E
Read Remote Supported Features Complete event	1.1	The HCI_Read_Remote_Supported_Features_Complete event is used to indicate the completion of the process of the Link Manager obtaining the supported features of the remote BR/EDR Controller specified by the Connection_Handle event parameter.	M	E

Table 3.1: Alphabetical list of commands and events (Sheet 35 of 50)



Name	Vers.	Summary Description	BR/EDR	LE
Read Remote Version Information command	1.1	The HCI_Read_Remote_Version_Information command will read the values for the version information for the remote device associated with the Connection_Handle.	O	C.3
Read Remote Version Information Complete event	1.1	The HCI_Read_Remote_Version_Information_Complete event is used to indicate the completion of the process of the Link Manager obtaining the version information of the remote device associated with the Connection_Handle event parameter.	C.105	C.3
Read RSSI command	1.1	The HCI_Read_RSSI command will read the value for the Received Signal Strength Indication (RSSI) for a Connection_Handle to another Controller.	O	C.3
Read Scan Enable command	1.1	The HCI_Read_Scan_Enable command will read the value for the Scan Enable configuration parameter, which controls whether or not the BR/EDR Controller will periodically scan for page attempts and/or inquiry requests from other BR/EDR Controllers.	M	E
Read Secure Connections Host Support command	4.1	The HCI_Read_Secure_Connections_Host_Support command is used to read the Secure Connections Host Supports parameter from the Controller.	C.218	E
Read Simple Pairing Mode command	2.1 + EDR	The HCI_Read_Simple_Pairing_Mode command reads the Secure Simple Pairing mode setting in the BR/EDR Controller.	M	E
Read Stored Link Key command	1.1	The HCI_Read_Stored_Link_Key command provides the ability to read whether one or more link keys are stored in the Controller.	C.121	E
Read Synchronization Train Parameters command	CSA4	The HCI_Read_Synchronization_Train_Parameters command returns the currently configured values for the Synchronization Train functionality in the BR/EDR Controller.	C.201	E

Table 3.1: Alphabetical list of commands and events (Sheet 36 of 50)



Name	Vers.	Summary Description	BR/EDR	LE
Read Synchronous Flow Control Enable command	1.1	The HCI_Read_Synchronous_Flow_Control_Enable command provides the ability to read the Synchronous Flow Control Enable setting. By using this setting, the Host can decide if the Controller will send HCI_Number_Of_Completed_Packets events for synchronous Connection_Handles.	C.122	E
Read Transmit Power Level command	1.1	The HCI_Read_Transmit_Power_Level command will read the values for the Transmit Power Level parameter for the specified Connection_Handle.	C.152	C.3
Read Voice Setting command	1.1	The HCI_Read_Voice_Setting command will read the values for the Voice Setting configuration parameter, which controls all the various settings for the voice connections.	C.134	E
Receive Synchronization Train command	CSA4	The HCI_Receive_Synchronization_Train command requests synchronization with the specified Connectionless Peripheral Broadcast transmitter.	C.202	E
Refresh Encryption Key command	2.1 + EDR	The HCI_Refresh_Encryption_Key command is used by the Host to cause the Controller to refresh the encryption key by pausing and resuming encryption	M	E
Reject Connection Request command	1.1	The HCI_Reject_Connection_Request command is used to decline a new incoming BR/EDR connection request.	M	E
Reject Synchronous Connection Request command	1.2	The HCI_Reject_Synchronous_Connection_Request command is used to decline an incoming request for a synchronous link.	C.134	E
Remote Host Supported Features Notification event	2.1 + EDR	The HCI_Remote_Host_Supported_Features_Notification event is used to return the LMP extended features page containing the Host features.	C.106	E

Table 3.1: Alphabetical list of commands and events (Sheet 37 of 50)



Name	Vers.	Summary Description	BR/EDR	LE
Remote Name Request Cancel command	1.2	The HCI_Remote_Name_-Request_Cancel command is used to cancel an ongoing Remote Name Request.	C.106	E
Remote Name Request command	1.1	The HCI_Remote_Name_-Request command is used to obtain the user-friendly name of another BR/EDR Controller.	O	E
Remote Name Request Complete event	1.1	The HCI_Remote_Name_-Request_Complete event is used to indicate a remote name request has been completed.	C.106	E
Remote OOB Data Request event	2.1 + EDR	The HCI_Remote_OOB_Data_-Request event is used to indicate that the Secure Simple Pairing Hash C and Randomizer R is required for the Secure Simple Pairing process involving the device identified by BD_ADDR.	M	E
Remote OOB Data Request Negative Reply command	2.1 + EDR	The HCI_Remote_OOB_Data_-Request_Negative_Reply command is used to reply to an HCI_Remote_OOB_Data_-Request event that the Host does not have the C and R	M	E
Remote OOB Data Request Reply command	2.1 + EDR	The HCI_Remote_OOB_Data_-Request_Reply command is used to reply to an HCI_Remote_-OOB_Data_Request event with the C and R values received via an OOB transfer from a remote BR/EDR Controller identified by BD_ADDR.	M	E
Remote OOB Extended Data Request Reply command	4.1	The HCI_Remote_OOB_-Extended_Data_Request_Reply command is used to reply to an HCI_Remote_OOB_Data_-Request event with the C and R values received via an OOB transfer from a remote BR/EDR Controller identified by the BD_ADDR.	C.142	E
Reset command	1.1	For a BR/EDR Controller, the HCI_Reset command resets HCI, the Link Manager, and the Bluetooth radio. For an LE Controller, the HCI_Reset command resets HCI, the Link Layer, and LE PHY.	M	M

Table 3.1: Alphabetical list of commands and events (Sheet 38 of 50)



Name	Vers.	Summary Description	BR/EDR	LE
Reset Failed Contact Counter command	1.1	The HCI_Reset_Failed_Contact_ - Counter command will reset the value for the Failed Contact Counter configuration parameter for a particular connection to another device.	M	E
Return Link Keys event	1.1	The HCI_Return_Link_Keys event is used to return stored link keys after an HCI_Read_Stored_Link_ - Key command is used.	C.121	E
Role Change event	1.1	The HCI_Role_Change event is used to indicate that the current BR/EDR Controller role related to the particular connection has been changed.	C.212	E
Role Discovery command	1.1	The HCI_Role_Discovery command is used for a BR/EDR Controller to determine which role the device is performing for a particular Connection_Handle.	O	E
SAM Status Change event	5.0	The HCI_SAM_Status_Change event is used to indicate that either the local or remote SAM slot map on a particular connection has been changed.	C.219	E
Send Keypress Notification command	2.1 + EDR	The HCI_Send_Keypress_ - Notification command is used during the Passkey Entry protocol by a device with KeyboardOnly IO capabilities. It is used by a Host to inform the remote device when keys have been entered or erased.	M	E
Set AFH Host Channel Classification command	1.2	The HCI_Set_AFH_Host_ - Channel_Classification command allows the Host to specify a channel classification based on its "local information".	C.140	E
Set Connection Encryption command	1.1	The HCI_Set_Connection_ - Encryption command is used to enable and disable the link level encryption.	M	E

Table 3.1: Alphabetical list of commands and events (Sheet 39 of 50)



Name	Vers.	Summary Description	BR/EDR	LE
Set Connectionless Peripheral Broadcast command	CSA4	The HCI_Set_Connectionless_Peripheral_Broadcast command controls Connectionless Peripheral Broadcast functionality (for transmission) in the BR/EDR Controller including enabling and disabling the broadcast.	C.201	E
Set Connectionless Peripheral Broadcast Data command	CSA4	The HCI_Set_Connectionless_Peripheral_Broadcast_Data command is used by the Host to set Connectionless Peripheral Broadcast data in the BR/EDR Controller.	C.201	E
Set Connectionless Peripheral Broadcast Receive command	CSA4	The HCI_Set_Connectionless_Peripheral_Broadcast_Receive command enables and disables Connectionless Peripheral Broadcast reception in the BR/EDR Controller.	C.202	E
Set Controller To Host Flow Control command	1.1	The HCI_Set_Controller_To_Host_Flow_Control command is used by the Host to turn flow control on or off in the direction from the Controller to the Host.	O	C.96
Set Ecosystem Base Interval command	5.2	The HCI_Set_Ecosystem_Base_Interval command indicates to the Controller the base interval of the ecosystem.	O	O
Set Event Filter command	1.1	The HCI_Set_Event_Filter command is used by the Host to specify different event filters. The Host may issue this command multiple times to request various conditions for the same type of event filter and for different types of event filters.	C.148	E
Set Event Mask command	1.1	The HCI_Set_Event_Mask command is used to control which events are generated by the HCI for the Host.	M	M
Set Event Mask Page 2 command	3.0 + HS	The HCI_Set_Event_Mask_Page 2 command is used to control which events are generated by the HCI for the Host.	C.145	C.145

Table 3.1: Alphabetical list of commands and events (Sheet 40 of 50)



Name	Vers.	Summary Description	BR/EDR	LE
Set External Frame Configuration command	CSA3	The HCI_Set_External_Frame_ - Configuration command enables an external device to describe a frame structure to the Controller.	C.108	O
Set Min Encryption Key Size command	5.3	The HCI_Set_Min_Encryption_ - Key_Size command is used to modify the minimum encryption key size that may be negotiated by the Controller.	O	E
Set MWS Channel Parameters command	CSA3	The HCI_Set_MWS_Channel_ - Parameters command enables an MWS device to inform the Controller about the MWS channel configuration.	O	O
Set MWS Scan Frequency Table command	CSA3	The HCI_Set_MWS_Scan_ - Frequency_Table command specifies the frequencies represented by the frequency index supplied by the MWS_SCAN_FREQUENCY signal.	O	O
Set MWS Signaling command	CSA3	The HCI_Set_MWS_Signaling command enables an MWS device to inform the Controller about the timing parameters for the MWS coexistence interface.	O	O
Set MWS Transport Layer command	CSA3	The HCI_Set_MWS_Transport_ - Layer command selects the MWS coexistence signaling transport layer in the Controller.	C.109	C.109
Set MWS_PATTERN Configuration command	CSA3	The HCI_Set_MWS_PATTERN_ - Configuration command specifies the configuration of the pattern indicated over the MWS Coexistence Transport Layer.	C.136	E
Set Reserved LT_ADDR command	CSA4	The HCI_Set_Reserved_LT_ - ADDR command requests that the BR/EDR Controller reserve a specific LT_ADDR for the purposes of Connectionless Peripheral Broadcast.	C.201	E
Set Triggered Clock Capture command	CSA4	The HCI_Set_Triggered_Clock_ - Capture command is used to configure the Controller to return events containing an estimate of a piconet or the local Bluetooth clock.	O	E

Table 3.1: Alphabetical list of commands and events (Sheet 41 of 50)



Name	Vers.	Summary Description	BR/EDR	LE
Setup Synchronous Connection command	1.2	The HCI_Setup_Synchronous_Connection command adds a new or modifies an existing synchronous logical transport (SCO or eSCO) on a physical link depending on the Connection_Handle parameter specified.	C.134	E
Simple Pairing Complete event	2.1 + EDR	The HCI_Simple_Pairing_Complete event is used to indicate that the Secure Simple Pairing process has completed.	M	E
Sniff Mode command	1.1	The HCI_Sniff_Mode command is used to alter the behavior of the LM and have the LM place the local or remote device into Sniff mode.	C.214	E
Sniff Subrating command	2.1 + EDR	The HCI_Sniff_Subrating command is used to configure the sniff subrating parameters in the local device.	C.221	E
Sniff Subrating event	2.1 + EDR	The HCI_Sniff_Subrating event is used to inform the Host of the local and remote transmit and receive latencies.	C.221	E
Start Synchronization Train command	CSA4	The HCI_Start_Synchronization_Train command enables the Synchronization Train on the BR/EDR Controller using the currently configured Synchronization Train parameters.	C.201	E
Switch Role command	1.1	The HCI_Switch_Role command is used to switch Central and Peripheral roles of the devices on either side of a connection.	C.212	E
Synchronization Train Complete event	CSA4	The HCI_Synchronization_Train_Complete event indicates that the Synchronization Train has completed.	C.201	E
Synchronization Train Received event	CSA4	The HCI_Synchronization_Train_Received event provides the status of Synchronization Train packets received from the device with the given BD_ADDR.	C.202	E

Table 3.1: Alphabetical list of commands and events (Sheet 42 of 50)



Name	Vers.	Summary Description	BR/EDR	LE
Synchronous Connection Changed event	1.2	The HCI_Synchronous_Connection_Changed event indicates to the Host that an existing synchronous connection has been reconfigured.	C.134	E
Synchronous Connection Complete event	1.2	The HCI_Synchronous_Connection_Complete event indicates to both the Hosts that a new synchronous connection has been established.	C.134	E
Triggered Clock Capture event	CSA4	The HCI_Triggered_Clock_Capture event reports the Bluetooth clock when an external trigger occurred.	C.110	E
Truncated Page Cancel command	CSA4	The HCI_Truncated_Page_Cancel command is used to cancel an ongoing Truncated Page.	C.129	E
Truncated Page command	CSA4	The HCI_Truncated_Page command will cause the BR/EDR Controller to page the BR/EDR Controller with the BD_ADDR specified by the command parameters and abort the page sequence after receiving the ID response packet.	C.129	E
Truncated Page Complete event	CSA4	The HCI_Truncated_Page_Complete event indicates to the Host that a Truncated Page has completed.	C.129	E
User Confirmation Request event	2.1 + EDR	The HCI_User_Confirmation_Request event is used to indicate that user confirmation of a numeric value is required.	M	E
User Confirmation Request Negative Reply command	2.1 + EDR	The HCI_User_Confirmation_Request_Negative_Reply command is used to reply to an HCI_User_Confirmation_Request event and indicates that the user selected “no”. This command will terminate Secure Simple Pairing.	M	E

Table 3.1: Alphabetical list of commands and events (Sheet 43 of 50)



Name	Vers.	Summary Description	BR/EDR	LE
User Confirmation Request Reply command	2.1 + EDR	The HCI_User_Confirmation_Request_Reply command is used to reply to an HCI_User_Confirmation_Request event and indicates that the user selected “yes”. It is also used when the Host has no input and no output capabilities.	M	E
User Passkey Notification event	2.1 + EDR	The HCI_User_Passkey_Notification event is used to provide a passkey for the Host to display to the user as required as part of a Secure Simple Pairing process.	M	E
User Passkey Request event	2.1 + EDR	The HCI_User_Passkey_Request event is used to indicate that a passkey is required as part of a Secure Simple Pairing process.	M	E
User Passkey Request Negative Reply command	2.1 + EDR	The HCI_User_Passkey_Request_Negative_Reply command is used to reply to an HCI_User_Passkey_Request event and indicates the Host could not provide a passkey. This command will terminate Secure Simple Pairing.	M	E
User Passkey Request Reply command	2.1 + EDR	The HCI_User_Passkey_Request_Reply command is used to reply to an HCI_User_Passkey_Request event and specifies the Numeric_Value (passkey) entered by the user to be used in the Secure Simple Pairing process.	M	E
Write AFH Channel Assessment Mode command	1.2	The HCI_Write_AFH_Channel_Assessment_Mode command will write the value for the Channel Classification Mode configuration parameter. This value is used to enable or disable the Controller’s channel assessment scheme.	C.140	C.58

Table 3.1: Alphabetical list of commands and events (Sheet 44 of 50)



Name	Vers.	Summary Description	BR/EDR	LE
Write Authenticated Payload Timeout command	4.1	The HCI_Write_Authenticated_Payload_Timeout command is used to write the Authenticated Payload Timeout parameter, which is used to set the maximum time between packets being received from the remote device without a valid MIC.	C.151	C.7
Write Authentication Enable command	1.1	The HCI_Write_Authentication_Enable command will write the value for the Authentication Enable parameter, which controls whether the Bluetooth device will require authentication for each connection with other Bluetooth devices.	O	E
Write Automatic Flush Timeout command	1.1	The HCI_Write_Automatic_Flush_Timeout command will write the value for the Flush Timeout configuration parameter for the specified Connection_Handle. The Flush Timeout parameter is only used for ACL connections.	M	E
Write Class of Device command	1.1	The HCI_Write_Class_of_Device command will write the value for the Class_of_Device configuration parameter, which is used to indicate its capabilities to other devices.	M	E
Write Connection Accept Timeout command	1.1	The HCI_Write_Connection_Accept_Timeout command will write the value for the Connection Accept Timeout configuration parameter, which allows the Controller to automatically deny a connection request after a specified period has occurred, and to refuse a new connection.	M	C.40
Write Current IAC LAP command	1.1	The HCI_Write_Current_IAC_LAP command will write the LAP(s) used to create the Inquiry Access Codes (IAC) that the local BR/EDR Controller is simultaneously scanning for during Inquiry Scans.	C.125	E

Table 3.1: Alphabetical list of commands and events (Sheet 45 of 50)



Name	Vers.	Summary Description	BR/EDR	LE
Write Default Erroneous Data Reporting command	2.1 + EDR	The HCI_Write_Default_ - Erroneous_Data_Reporting command will write the value for the Erroneous Data Reporting configuration parameter, which controls whether the Bluetooth Controller will provide data for every (e)SCO interval, with the Packet_Status_ - Flag in HCI Synchronous Data packets set according to HCI Synchronous Data packets.	C.135	E
Write Default Link Policy Settings command	1.2	The HCI_Write_Default_Link_ - Policy_Settings command will write the Default Link Policy configuration parameter for all new connections.	C.141	E
Write Extended Inquiry Length command	4.1	The HCI_Write_Extended_ - Inquiry_Length command is used to write the Extended Inquiry Length parameter to the Controller.	C.128	E
Write Extended Inquiry Response command	2.1 + EDR	The HCI_Write_Extended_ - Inquiry_Response command will write the data that the BR/EDR Controller sends in the extended inquiry response packet during inquiry response.	C.205	E
Write Extended Page Timeout command	4.1	The HCI_Write_Extended_Page_ - Timeout command is used to write the Extended Page Timeout parameter to the Controller.	O	E
Write Flow Control Mode command	3.0 + HS	The HCI_Write_Flow_Control_ - Mode command sets the value of the Flow_Control_Mode configuration parameter for this Controller.	C.124	E
Write Hold Mode Activity command	1.1	The HCI_Write_Hold_Mode_ - Activity command is used to write which activities should be suspended when the BR/EDR Controller is in Hold mode.	C.213	E
Write Inquiry Mode command	1.2	The HCI_Write_Inquiry_Mode command is used to write the Inquiry Mode configuration parameter of the local BR/EDR Controller.	C.146	E

Table 3.1: Alphabetical list of commands and events (Sheet 46 of 50)



Name	Vers.	Summary Description	BR/EDR	LE
Write Inquiry Scan Activity command	1.1	The HCI_Write_Inquiry_Scan_Activity command will write the value for Inquiry Scan Interval and Inquiry Scan Window configuration parameters. Inquiry Scan Interval defines the amount of time between consecutive inquiry scans. Inquiry Scan Window defines the amount of time for the duration of the inquiry scan.	C.125	E
Write Inquiry Scan Type command	1.2	The HCI_Write_Inquiry_Scan_Type command is used to write the Inquiry Scan Type configuration parameter of the local BR/EDR Controller. The Inquiry Scan Type configuration parameter can set the inquiry scan to either normal or interlaced scan.	C.125	E
Write Inquiry Transmit Power Level command	2.1 + EDR	The HCI_Write_Inquiry_Transmit_Power_Level command is used to write the transmit power level used to transmit the inquiry (ID) data packets.	C.127	E
Write LE Host Support command	4.0	The HCI_Write_LE_Host_Support command writes the LE Supported Host setting to the BR/EDR Controller.	C.153	E
Write Link Policy Settings command	1.1	The HCI_Write_Link_Policy_Settings command will write the Link Policy configuration parameter for the specified Connection_Handle. The Link Policy settings allow the Host to specify which Link Modes the Link Manager can use for the specified Connection_Handle.	C.141	E
Write Link Supervision Timeout command	1.1	The HCI_Write_Link_Supervision_Timeout command will write the value for the Link Supervision Timeout configuration parameter for the device. This parameter is used by the Controller to determine link loss.	O	E
Write Local Name command	1.1	The HCI_Write_Local_Name command provides the ability to modify the user-friendly name for the BR/EDR Controller.	M	E

Table 3.1: Alphabetical list of commands and events (Sheet 47 of 50)



Name	Vers.	Summary Description	BR/EDR	LE
Write Loopback Mode command	1.1	The HCI_Write_Loopback_Mode command will write the value for the setting of the BR/EDR Controllers Loopback Mode. The setting of the Loopback Mode will determine the path of information.	C.123	E
Write Num Broadcast Retransmissions command	1.1	The HCI_Write_Num_Broadcast_Retransmissions command will write the parameter value for the Number of Broadcast Retransmissions for the BR/EDR Controller.	O	E
Write Page Scan Activity command	1.1	The HCI_Write_Page_Scan_Activity command will write the value for Page Scan Interval and Page Scan Window configuration parameters. Page Scan Interval defines the amount of time between consecutive page scans. Page Scan Window defines the duration of the page scan.	M	E
Write Page Scan Type command	1.2	The HCI_Write_Page_Scan_Type command is used to write the page scan type of the local BR/EDR Controller. The Page Scan Type configuration parameter can set the page scan to either normal or interlaced scan.	C.154	E
Write Page Timeout command	1.1	The HCI_Write_Page_Timeout command will write the value for the Page Reply Timeout configuration parameter, which allows the BR/EDR Controller to define the amount of time a connection request will wait for the remote device to respond before the local device returns a connection failure.	M	E
Write PIN Type command	1.1	The HCI_Write_PIN_Type command is used for the Host to specify whether the Host supports variable PIN or only fixed PINs.	O	E

Table 3.1: Alphabetical list of commands and events (Sheet 48 of 50)



Name	Vers.	Summary Description	BR/EDR	LE
Write Scan Enable command	1.1	The HCI_Write_Scan_Enable command will write the value for the Scan Enable configuration parameter, which controls whether or not the BR/EDR Controller will periodically scan for page attempts and/or inquiry requests from other BR/EDR Controllers.	M	E
Write Secure Connections Host Support command	4.1	The HCI_Write_Secure_Connections_Host_Support command is used to write the Secure Connections Host Supports parameter to the Controller.	C.218	E
Write Secure Connections Test Mode command	4.1	The HCI_Write_Secure_Connections_Test_Mode command is used to put the Controller in a test mode where DM1 packets are not allowed to be used for ACL-U traffic and/or the contents of eSCO payloads can be looped back.	C.138	E
Write Simple Pairing Debug Mode command	2.1 + EDR	The HCI_Write_Simple_Pairing_Debug_Mode command configures the BR/EDR Controller to use a predefined Diffie Hellman private key for Secure Simple Pairing to enable debug equipment to monitor the encrypted connection.	M	E
Write Simple Pairing Mode command	2.1 + EDR	The HCI_Write_Simple_Pairing_Mode command writes the Secure Simple Pairing mode setting in the BR/EDR Controller.	M	E
Write Stored Link Key command	1.1	The HCI_Write_Stored_Link_Key command provides the ability to write one or more link keys to be stored in the Controller.	O	E
Write Synchronization Train Parameters command	CSA4	The HCI_Write_Synchronization_Train_Parameters command configures the Synchronization Train functionality in the BR/EDR Controller.	C.201	E

Table 3.1: Alphabetical list of commands and events (Sheet 49 of 50)



Name	Vers.	Summary Description	BR/EDR	LE
Write Synchronous Flow Control Enable command	1.1	The HCI_Write_Synchronous_Flow_Control_Enable command provides the ability to write the Synchronous Flow Control Enable setting. By using this setting, the Host can decide if the Controller will send HCI_Number_Of_Completed_Packets events for synchronous Connection_Handles.	C.135	E
Write Voice Setting command	1.1	The HCI_Write_Voice_Setting command will write the values for the Voice Setting configuration parameter, which controls all the various settings for the voice connections.	C.134	E

Table 3.1: Alphabetical list of commands and events (Sheet 50 of 50)

- C.1: Mandatory if the LE Controller supports transmitting packets, otherwise excluded.
- C.2: Mandatory if the LE Controller supports receiving packets, otherwise excluded.
- C.3: Mandatory if the LE Controller supports Connection State, otherwise excluded.
- C.4: Mandatory if LE Feature (LE Encryption) is supported, otherwise excluded.
- C.6: Mandatory if LE Feature (Connection Parameters Request procedure) is supported, otherwise excluded.
- C.7: Mandatory if LE Feature (LE Encryption) and LE Feature (LE Ping) are supported, otherwise excluded.
- C.8: Mandatory if LE Feature (LE Data Packet Length Extension) is supported, otherwise optional.
- C.9: Mandatory if LE Feature (LL Privacy) is supported, otherwise excluded.
- C.10: Optional if LE Feature (LL Privacy) is supported, otherwise excluded.
- C.11: Mandatory if LE Feature (LE 2M PHY) or LE Feature (LE Coded PHY) is supported, otherwise optional.
- C.12: Mandatory if LE Feature (LE 2M PHY) or LE Feature (LE Coded PHY) or LE Feature (Stable Modulation Index - Transmitter) is supported, otherwise optional if the LE Controller supports transmitting packets, otherwise excluded.
- C.13: Mandatory if LE Feature (LE 2M PHY) or LE Feature (LE Coded PHY) or LE Feature (Stable Modulation Index - Receiver) is supported, otherwise optional if the LE Controller supports receiving packets, otherwise excluded.
- C.15: Mandatory if LE Controller supports transmitting scannable advertisements, otherwise excluded.
- C.16: Mandatory if LE Feature (Periodic Advertising) is supported and the LE Controller supports both Scanning State and Synchronization State, otherwise excluded.
- C.17: Mandatory if LE Feature (Extended Advertising) is supported and the LE Controller supports Advertising State, otherwise excluded.
- C.18: Mandatory if LE Feature (Periodic Advertising) is supported and the LE Controller supports Advertising State, otherwise excluded.
- C.19: Mandatory if LE Feature (Extended Advertising) is supported and the LE Controller supports Scanning State, otherwise excluded.



- C.20: Mandatory if LE Feature (Extended Advertising) is supported and the LE Controller supports Initiating State, otherwise excluded.
- C.21: Mandatory if LE Feature (Periodic Advertising) is supported and the LE Controller supports Synchronization State, otherwise excluded.
- C.22: Mandatory if the LE Controller supports sending Transmit Power in advertisements or if LE Feature (LE Power Control Request) is supported, otherwise optional.
- C.23: Mandatory if LE Feature (LE Channel Selection Algorithm #2) is supported, otherwise excluded.
- C.24: Mandatory if the LE Controller supports Connection State and either LE Feature (LL Privacy) or LE Feature (Extended Advertising) is supported, otherwise optional if the LE Controller supports Connection State, otherwise excluded.
- C.25: Mandatory if LE Feature (Connection CTE Request) is supported, otherwise excluded.
- C.26: Mandatory if LE Feature (Connection CTE Response) is supported, otherwise excluded.
- C.27: Mandatory if LE Feature (Connectionless CTE Transmitter) is supported, otherwise excluded.
- C.28: Mandatory if LE Feature (Connectionless CTE Receiver) is supported, otherwise excluded.
- C.29: Mandatory if LE Feature (Connection CTE Response) or LE Feature (Connectionless CTE Transmitter) is supported, otherwise optional if the LE Controller supports transmitting packets, otherwise excluded.
- C.30: Mandatory if LE Feature (Connection CTE Request) or LE Feature (Connectionless CTE Receiver) is supported, otherwise optional if the LE Controller supports receiving packets, otherwise excluded.
- C.31: Mandatory if LE Feature (Connection CTE Request) or LE Feature (Connection CTE Response) or LE Feature (Connectionless CTE Transmitter) or LE Feature (Connectionless CTE Receiver) is supported, otherwise excluded.
- C.32: Mandatory if LE Feature (Periodic Advertising Sync Transfer – Recipient) is supported, otherwise optional if LE Feature (Periodic Advertising) is supported and the LE Controller supports Synchronization State, otherwise excluded.
- C.33: Mandatory if LE Feature (Periodic Advertising Sync Transfer – Sender) is supported and the LE Controller supports Scanning State, otherwise excluded.
- C.34: Mandatory if LE Feature (Periodic Advertising Sync Transfer – Sender) is supported and the LE Controller supports Advertising State, otherwise excluded.
- C.35: Mandatory if LE Feature (Periodic Advertising Sync Transfer – Recipient) is supported, otherwise excluded.
- C.36: Mandatory if the LE Controller supports Central role or supports both Peripheral role and LE Feature (Channel Classification), otherwise optional if LE Feature (Extended Advertising) is supported and the LE Controller supports Advertising State or if LE Feature (Isochronous Broadcaster) is supported, otherwise excluded.
- C.37: Mandatory if the LE Controller can change its sleep clock accuracy, otherwise excluded.
- C.38: Mandatory if LE Feature (Connected Isochronous Stream - Central) or LE Feature (Connected Isochronous Stream - Peripheral) is supported, otherwise excluded.
- C.39: Mandatory if LE Feature (Connected Isochronous Stream - Central) is supported, otherwise excluded.
- C.40: Mandatory if LE Feature (Connected Isochronous Stream - Peripheral) is supported, otherwise excluded.



- C.41: Mandatory if LE Feature (Isochronous Broadcaster) is supported, otherwise excluded.
- C.42: Mandatory if LE Feature (Synchronized Receiver role) is supported, otherwise excluded.
- C.44: Mandatory if LE Feature (Sleep Clock Accuracy Updates) and either LE Feature (Connected Isochronous Stream - Central) or LE Feature (Connected Isochronous Stream - Peripheral) are supported, otherwise optional if LE Feature (Sleep Clock Accuracy Updates) is supported, otherwise excluded.
- C.45: Mandatory if LE Feature (Connected Isochronous Stream - Central), or LE Feature (Connected Isochronous Stream - Peripheral), or LE Feature (Isochronous Broadcaster) is supported, otherwise excluded.
- C.46: Mandatory if LE Feature (Connected Isochronous Stream - Central), or LE Feature (Connected Isochronous Stream - Peripheral), or LE Feature (Synchronized Receiver role) is supported, otherwise excluded.
- C.47: Mandatory if LE Feature (Connected Isochronous Stream - Central), or LE Feature (Connected Isochronous Stream - Peripheral), or LE Feature (Isochronous Broadcaster), or LE Feature (Synchronized Receiver role) is supported, otherwise excluded.
- C.49: Mandatory if LE Feature (Connected Isochronous Stream - Central) or LE Feature (Connected Isochronous Stream - Peripheral) or LE Feature (Connection Subrating) is supported, otherwise optional.
- C.50: Optional if LE Feature (Connected Isochronous Stream - Central), or LE Feature (Connected Isochronous Stream - Peripheral), or LE Feature (Synchronized Receiver role) is supported, otherwise excluded.
- C.51: Mandatory if LE Feature (LE Power Control Request) is supported, otherwise excluded.
- C.52: Mandatory if LE Feature (LE Path Loss Monitoring) is supported, otherwise excluded.
- C.53: Mandatory if LE Feature (LE Power Control Request) is supported, otherwise optional if the LE Controller supports transmitting packets, otherwise excluded.
- C.54: Mandatory if LE Feature (Synchronized Receiver) is supported, otherwise optional.
- C.55: Mandatory if LE Feature (Connected Isochronous Stream - Central), or LE Feature (Connected Isochronous Stream - Peripheral), or LE Feature (Isochronous Broadcaster) is supported, otherwise optional if the LE Controller supports Connection State, otherwise excluded.
- C.56: Optional if LE Feature (LE Encryption) is supported, otherwise excluded.
- C.57: Mandatory if LE Feature (Connection Subrating) is supported, otherwise excluded.
- C.58: Mandatory if LE Feature (Channel Classification) is supported, otherwise excluded.
- C.59: Mandatory if the LE Controller supports Central role, otherwise excluded.
- C.60: Mandatory if the LE Controller supports Central role and LE Feature (LE Encryption), otherwise excluded.
- C.61: Mandatory if the LE Controller supports Peripheral role and LE Feature (LE Encryption), otherwise excluded.
- C.62: Mandatory if the LE Controller supports Central role or supports both Peripheral role and LE Feature (Connection Parameters Request Procedure), otherwise excluded.
- C.63: Mandatory if the LE Controller supports Scanning state and LE Feature (LL Privacy), otherwise excluded.
- C.64: Optional if the Controller supports transmitting packets, otherwise excluded.



- C.65: Mandatory if LE Set Extended Advertising Parameters command [v2] is supported, otherwise mandatory if LE Feature (Extended Advertising) is supported and the LE Controller supports Advertising State, otherwise excluded.
- C.66: Mandatory if LE Feature (Advertising Coding Selection) is supported, otherwise optional if LE Feature (Extended Advertising) is supported and the LE Controller supports Advertising state, otherwise excluded.
- C.67: Mandatory if LE Feature (Periodic Advertising with Responses - Advertiser) is supported, otherwise excluded.
- C.68: Mandatory if LE Feature (Periodic Advertising with Responses - Scanner) is supported, otherwise excluded.
- C.69: Mandatory if LE Feature (Periodic Advertising with Responses - Advertiser) or LE Feature (Periodic Advertising with Responses - Scanner) is supported, otherwise excluded.
- C.94: Mandatory if the LE Create Connection or LE Extended Create Connection command is supported, otherwise excluded.
- C.95: Mandatory if the LE Request Peer SCA command is supported, otherwise excluded.
- C.96: Optional if the LE Controller supports Connection State, otherwise excluded.
- C.97: Mandatory if Advertising State is supported, otherwise excluded.
- C.98: Mandatory if Scanning State is supported, otherwise excluded.
- C.99: Mandatory if LE Generate DHKey command [v2] is supported, otherwise optional.
- C.101: Mandatory if the Authentication Requested command is supported, otherwise excluded.
- C.102: Mandatory if the Change Connection Link Key command is supported, otherwise excluded.
- C.103: Mandatory if the Periodic Inquiry Mode command is supported, otherwise excluded.
- C.104: Mandatory if the Read Clock Offset command is supported, otherwise excluded.
- C.105: Mandatory if the Read Remote Version Information command is supported, otherwise excluded.
- C.106: Mandatory if the Remote Name Request command is supported, otherwise excluded.
- C.107: Mandatory if the Set Controller To Host Flow Control command is supported, otherwise excluded.
- C.108: Mandatory if the Set MWS_PATTERN Configuration command is supported, otherwise optional.
- C.109: Mandatory if the Set MWS Signaling command is supported, otherwise excluded.
- C.110: Mandatory if the Set Triggered Clock Capture command is supported, otherwise excluded.
- C.111: Mandatory if the Write Authentication Enable command is supported, otherwise excluded.
- C.112: Mandatory if the Write Default Erroneous Data Reporting command is supported, otherwise excluded.
- C.113: Mandatory if the Write Extended Inquiry Length command is supported, otherwise excluded.
- C.114: Mandatory if the Write Extended Page Timeout command is supported, otherwise excluded.
- C.115: Mandatory if the Write Inquiry Mode command is supported, otherwise excluded.
- C.116: Mandatory if the Write LE Host Support command is supported, otherwise excluded.



- C.117: Mandatory if the Write Link Supervision Timeout command is supported, otherwise excluded.
- C.118: Mandatory if the Write Num Broadcast Retransmissions command is supported, otherwise excluded.
- C.119: Mandatory if the Write Page Scan Type command is supported, otherwise excluded.
- C.120: Mandatory if the Write PIN Type command is supported, otherwise excluded.
- C.121: Mandatory if the Write Stored Link Key command is supported, otherwise excluded.
- C.122: Mandatory if the Write Synchronous Flow Control Enable command is supported, otherwise excluded.
- C.123: Mandatory if BR/EDR test mode is supported, otherwise excluded.
- C.124: Mandatory if Data block based flow control is supported, otherwise excluded.
- C.125: Mandatory if Inquiry Scan is supported, otherwise excluded.
- C.126: Optional if Inquiry Scan is supported, otherwise excluded.
- C.127: Mandatory if Inquiry is supported, otherwise excluded.
- C.128: Optional if Inquiry is supported, otherwise excluded.
- C.129: Mandatory if Truncated page state is supported, otherwise excluded.
- C.130: *Previously used*
- C.131: *Previously used*
- C.132: Mandatory if multi-slot ACL packets are supported, otherwise excluded.
- C.133: Mandatory if HV2, HV3, or multi-slot or EDR ACL packets are supported, otherwise excluded.
- C.134: Mandatory if SCO or eSCO is supported, otherwise excluded.
- C.135: Optional if SCO or eSCO is supported, otherwise excluded.
- C.136: Optional if Slot Availability Mask is supported, otherwise excluded.
- C.138: Mandatory if Secure Connections (Controller) is supported, otherwise optional if eSCO is supported, otherwise excluded.
- C.139: Mandatory if the Controller is AFH capable in either role, otherwise excluded.
- C.140: Mandatory if the Controller supports AFH classification in either role or is an AFH capable Central, otherwise excluded.
- C.141: Mandatory if Role Switch, Hold mode, or Sniff mode is supported, otherwise excluded.
- C.142: Mandatory if Secure Connections (Host) is supported, otherwise excluded.
- C.143: *Previously used*
- C.144: Mandatory if Hold Mode or Sniff Mode is supported, otherwise excluded.
- C.145: Mandatory if any event in event mask page 2 is supported, otherwise optional.
- C.146: Mandatory if the Extended Inquiry Result event or the IO Capability Request event is supported, otherwise optional if Inquiry is supported, otherwise excluded.
- C.147: Optional if the Inquiry Result with RSSI event is supported, otherwise excluded.
- C.148: Optional if any of the Connection Complete, Connection Request, Extended Inquiry Result, Inquiry Result with RSSI, IO Capability Request, or Synchronous Connection Complete events is supported, otherwise excluded.
- C.149: *Previously used*
- C.150: *Previously used*
- C.151: Mandatory if Secure Connections (Controller) and Ping are supported, otherwise excluded.
- C.152: Mandatory if Power Control is supported, otherwise optional.



- C.153: Mandatory if LE supported in the Controller, otherwise optional.
- C.154: Mandatory if Interlaced Page Scan is supported, otherwise optional.
- C.155: Mandatory if the Write Authenticated Payload Timeout command is supported, otherwise excluded.
- C.156: Mandatory if the Read Local Supported Codecs command [v2] is supported, otherwise excluded.
- C.157: Mandatory if the Read Local Supported Codecs command [v2] is supported, otherwise optional.
- C.158: Mandatory if the Set Min Encryption Key Size command is supported, otherwise optional.
- C.201: Mandatory if Connectionless Peripheral Broadcast - Transmitter is supported, otherwise excluded.
- C.202: Mandatory if Connectionless Peripheral Broadcast - Receiver is supported, otherwise excluded.
- C.203: *Previously used*
- C.204: *Previously used*
- C.205: Mandatory if Extended Inquiry Response is supported, otherwise excluded.
- C.212: Mandatory if Role Switch is supported, otherwise excluded.
- C.213: Mandatory if Hold mode is supported, otherwise excluded.
- C.214: Mandatory if Sniff mode is supported, otherwise excluded.
- C.215: Mandatory if Broadcast Encryption is supported, otherwise excluded.
- C.217: Mandatory if BR/EDR Enhanced Power Control is supported, otherwise excluded.
- C.218: Mandatory if Secure Connections (Controller) is supported, otherwise excluded.
- C.219: Mandatory if Slot Availability Mask is supported, otherwise excluded.
- C.220: Mandatory if LMP Extended Features mask is supported, otherwise excluded.
- C.221: Mandatory if Sniff subrating is supported, otherwise excluded.

3.1 LE CONTROLLER REQUIREMENTS

3.1.1 Legacy and extended advertising

[Table 3.2](#) lists the legacy and extended advertising commands and events.

If a Controller supports any legacy advertising command or event listed in the table and also supports the LE Feature (Extended Advertising), it shall support the corresponding extended advertising command or event in the same row of the table.

If, since the last power-on or reset, the Host has ever issued a legacy advertising command and then issues an extended advertising command, or has ever issued an extended advertising command and then issues a legacy advertising command, the Controller shall return the error code *Command Disallowed* (0x0C).



A Host should not issue legacy commands to a Controller that supports the LE Feature (Extended Advertising).

Legacy advertising command or event	Extended advertising command or event
HCI_LE_Advertising_Report event	HCI_LE_Extended_Advertising_Report event
HCI_LE_Directed_Advertising_Report event	HCI_LE_Extended_Advertising_Report event
HCI_LE_Set_Advertising_Parameters command	HCI_LE_Set_Extended_Advertising_Parameters command
HCI_LE_Read_Advertising_Physical_Channel_Tx_Power command	<i>none</i>
HCI_LE_Set_Advertising_Data command	HCI_LE_Set_Extended_Advertising_Data command
HCI_LE_Set_Scan_Response_Data command	HCI_LE_Set_Extended_Scan_Response_Data command
HCI_LE_Set_Advertising_Enable command	HCI_LE_Set_Extended_Advertising_Enable command
<i>none</i>	HCI_LE_Read_Maximum_Advertising_Data_Length command
<i>none</i>	HCI_LE_Read_Number_of_Supported_Advertising_Sets command
<i>none</i>	HCI_LE_Remove_Advertising_Set command
<i>none</i>	HCI_LE_Clear_Advertising_Sets command
<i>none</i>	HCI_LE_Set_Periodic_Advertising_Parameters command
<i>none</i>	HCI_LE_Set_Periodic_Advertising_Data command
<i>none</i>	HCI_LE_Set_Periodic_Advertising_Enable command
HCI_LE_Set_Scan_Parameters command	HCI_LE_Set_Extended_Scan_Parameters command
HCI_LE_Set_Scan_Enable command	HCI_LE_Set_Extended_Scan_Enable command
HCI_LE_Create_Connection command	HCI_LE_Extended_Create_Connection command
<i>none</i>	HCI_LE_Periodic_Advertising_Create_Sync command
<i>none</i>	HCI_LE_Periodic_Advertising_Create_Sync_Cancel command
<i>none</i>	HCI_LE_Periodic_Advertising_Terminate_Sync command

Table 3.2: Legacy and extended advertising commands and events (Sheet 1 of 2)



Legacy advertising command or event	Extended advertising command or event
none	HCI_LE_Add_Device_To_Periodic_Advertiser_List command
none	HCI_LE_Remove_Device_From_Periodic_Advertiser_List command
none	HCI_LE_Clear_Periodic_Advertiser_List command
none	HCI_LE_Read_Periodic_Advertiser_List_Size command
none	HCI_LE_Set_Periodic_Advertising_Sync_Transfer_Parameters command
none	HCI_LE_Set_Default_Periodic_Advertising_Sync_Transfer_Parameters command
none	HCI_LE_Periodic_Advertising_Sync_Transfer_Received event

Table 3.2: Legacy and extended advertising commands and events (Sheet 2 of 2)

3.2 UNDERLYING SUPPORT

Except as stated in this section, if a command or event is supported by a Controller then the feature underlying the command or event shall also be fully supported. If the feature applies to more than one transport, it shall be supported on all supported transports.

If the Controller supports ACL connections on BR/EDR but does not support Connection State on LE then, for each command or event that it supports that has a handle parameter, it shall only support the underlying functionality on BR/EDR (such Controllers will not support the commands or events that create LE connections and therefore all valid handles will represent BR/EDR connections).

For each of the commands and events in [Table 3.3](#), the requirements in [Table 3.1](#) shall be evaluated separately for each supported transport. If the requirement for a given supported transport evaluates to Mandatory, or evaluates to Optional and the Controller supports the command or event on that transport, then the underlying feature shall be fully supported on that transport. Otherwise the Controller shall not support the underlying feature on that transport and:

- For a command, if the Host issues the command with the Handle or Connection_Handle parameter referring to a connection on that transport, the Controller shall return the error code *Unsupported Feature or Parameter Value* (0x11).



- For an event, the Controller shall not generate that event with the Connection_Handle parameter referring to a connection on that transport.

HCI_Authenticated_Payload_Timeout_Expired event
HCI_Encryption_Change event
HCI_Encryption_Key_Refresh_Complete event
HCI_Read_Authenticated_Payload_Timeout command
HCI_Read_Remote_Version_Information command
HCI_Read_Remote_Version_Information_Complete event
HCI_Read_RSSI command
HCI_Read_Transmit_Power_Level command
HCI_Write_Authenticated_Payload_Timeout command

Table 3.3: Commands and events that have separate requirements for each transport

3.3 FEATURE EXCHANGE

If a command has a Connection_Handle parameter, returns an HCI_Command_Status event followed by a completion event (see [Section 4.4](#)), and the specification of that command does not refer to feature exchange, then the command may perform feature exchange on the specified connection before any other procedure in order to determine whether the peer device supports a necessary feature.



4 HCI FLOW CONTROL

Flow control for data shall be used in the direction from the Host to the Controller to avoid overflowing the Controller data buffers with data destined for a remote device (using a `Connection_Handle`) that is not responding. The Host manages the data buffers of the Controller. Packet based flow control is the default for BR/EDR traffic and the only option for LE traffic. Flow control for data moving from the Controller to the Host may be in accordance with [Section 4.2](#).

Command flow control is covered in [Section 4.4](#) and [Section 4.5](#).

4.1 HOST TO CONTROLLER DATA FLOW CONTROL

Two methods of data flow control are defined: 'packet-based' flow control and 'data-block-based' flow control, known as buffer management. Selection of the data flow control mechanism is performed with the `HCI_Write_Flow_Control_Mode` command (see [Section 7.3.73](#)).

If a BR/EDR/LE Controller implements separate buffers for ACL Data:

1. The Host shall use the `HCI_LE_Read_Buffer_Size` command to determine the buffers that are used for ACL Data on an LE-U logical link.
2. The Host shall use separate packet based flow control for each set of buffers.
3. The `Connection_Handle` contained in the ACL Data packet shall be used by the Controller to determine which set of buffers to use and the logical link (ACL-U, APB-U, or LE-U) over which the data is to be sent.

If a BR/EDR/LE Controller does not implement separate buffers, then all ACL Data shall use the BR/EDR buffer management as described below, and only the logical link (ACL-U, APB-U, or LE-U) shall be determined by the `Connection_Handle`.

A packet is said to have completed when the Controller no longer needs the buffer space to store the data from the packet and has freed the corresponding buffer for re-use. This nominally happens when the data is transmitted or flushed, but can be delayed for implementation reasons or can happen early if the implementation transfers the data to other storage.

For each individual `Connection_Handle`, the data shall be sent to the Controller in HCI Data packets in the order in which it was provided by the Host and shall arrive at the Controller in that order.

4.1.1 Packet-based data flow control

When the packet based flow control mechanism is enabled, on initialization, a Host that supports LE shall issue the `HCI_LE_Read_Buffer_Size` command



(see [Section 7.8.2](#)). Two of the return parameters of this command determine the maximum size of HCI ACL (excluding header) Data packets that can be used to transmit ACL data for an LE transport sent from the Host to the Controller. There is an additional return parameter that specifies the total number of HCI ACL Data packets that the Controller may have waiting for transmission in those buffers. A Controller that supports BR/EDR and LE may return zero for the total number of HCI ACL packets used to transmit ACL data for an LE transport. In this case the Host shall then send all BR/EDR and LE data using the HCI ACL Data packets into the buffers identified using the `HCI_Read_Buffer_Size` command. A Controller that does not support BR/EDR shall not return zero for the total number of HCI ACL packets used to transmit ACL data for an LE transport.

When the packet-based flow control mechanism is enabled, on initialization, a Host that supports isochronous data over HCI in either the Connected Isochronous Stream Central role, Connected Isochronous Stream Peripheral role, or Isochronous Broadcaster role shall issue the `HCI_LE_Read_Buffer_Size` command.

An HCI ISO Data packet is used to transfer isochronous data between the Host and Controller for transmission of isochronous data on an isochronous transport. The `ISO_Data_Packet_Length` parameter of this command specifies the maximum buffer size for each HCI ISO Data packet (excluding the header but including optional fields such as `ISO_SDU_Length`). The return parameter `Total_Num_ISO_Data_Packets` of this command specifies the maximum number of HCI ISO Data packets that the Controller can have waiting for transmission in its buffers.

Note: The `ISO_Data_Packet_Length` and `Total_Num_ISO_Data_Packets` return parameters are only available when using v2 or above of the `HCI_LE_Read_Buffer_Size` command (see [Section 7.8.2](#)).

In a BR/EDR Controller, when the packet based flow control mechanism is enabled, on initialization, the Host shall issue the `HCI_Read_Buffer_Size` command. Two of the return parameters of this command determine the maximum size of HCI ACL and Synchronous Data packets (excluding header) sent from the Host to the Controller. There are also two additional return parameters that specify the total number of HCI ACL and Synchronous Data packets that the Controller may have waiting for transmission in its buffers. A Controller that supports BR/EDR shall not return zero for the total number of HCI ACL Data packets or their maximum size. A Controller that supports SCO or eSCO over HCI shall not return zero for the total number of HCI Synchronous Data packets or their maximum size.

When there is at least one connection to another device, or when in local loop-back mode on a BR/EDR Controller, the Controller shall use the `HCI_Number_Of_Completed_Packets` event to control the flow of data from the Host. This event contains a list of `Connection_Handles` and a corresponding number of HCI Data packets and/or HCI ISO Data packets that have been



completed since the previous time the event was returned (or since the connection was established, if the event has not been returned before for a particular `Connection_Handle`).

The Host chooses the `Connection_Handles` for the following HCI Data packets and/or HCI ISO Data packets based on the information returned in this event, and/or the `HCI_LE_Read_Buffer_Size` commands.

Every time it has sent an HCI Data packet, the Host shall assume that the free buffer space for the corresponding link type (ACL, SCO, or eSCO) in the Controller has decreased by one HCI Data packet.

Every time the Host sends an HCI ISO Data packet, the Host shall assume that the free buffer space for the corresponding logical link type (LE-S or LE-F) in the Controller has decreased by one HCI ISO Data packet.

Each `HCI_Number_Of_Completed_Packets` event received by the Host provides information about how many HCI Data packets and/or HCI ISO Data packets have been completed for each `Connection_Handle` since the previous `HCI_Number_Of_Completed_Packets` event was sent to the Host. It can then calculate the actual current buffer usage.

When the Controller has completed one or more HCI Data packet(s) and/or HCI ISO Data packet(s) it shall send an `HCI_Number_Of_Completed_Packets` event to the Host, until it finally reports that all the pending HCI Data packets have been completed. The frequency at which this event is sent is manufacturer specific.

Note: The `HCI_Number_Of_Completed_Packets` events will not report on synchronous `Connection_Handles` if Synchronous Flow Control is disabled. (See [Read Synchronous Flow Control Enable command](#), and [Write Synchronous Flow Control Enable command](#).)

4.1.2 Data-block-based data flow control

When the data-block-based flow control mechanism is enabled, on initialization the Host shall issue the [Read Data Block Size command](#). Two of the return parameters of this command determine the maximum size of HCI ACL Data packets (excluding header) sent from the Host to the Controller. A further return parameter specifies the total number of HCI ACL Data packets that the Controller may have waiting for transmission in its buffers.

The Controller shall use the `HCI_Number_Of_Completed_Data_Blocks` event to control the flow of data from the Host. This event contains a list of `Handles` and a corresponding number of HCI Data packets that have been completed since the previous time the event was returned (or since the link was established, if the event has not been returned before for a particular `Handle`).



Based on the information returned in this event, and the return parameters of the HCI_Read_Data_Block_Size command that specify the total number of HCI ACL Data packets that can be stored in the Controller, the Host decides for which Handles the following HCI Data packets should be sent.

Every time it has sent an HCI Data packet, the Host shall assume that the free buffer space for the corresponding ACL link type in the Controller has decreased by one HCI Data packet.

Each HCI_Number_Of_Completed_Data_Blocks event received by the Host provides information about how many HCI Data packets have been completed for each Handle since the previous HCI_Number_Of_Completed_Data_Blocks event was sent to the Host. It can then calculate the actual current buffer usage.

When the Controller has completed one or more HCI Data packet(s) it shall send an HCI_Number_Of_Completed_Data_Blocks event to the Host until it finally reports that all the pending HCI Data packets have been completed. The frequency at which this event is sent is manufacturer specific.

4.2 CONTROLLER TO HOST DATA FLOW CONTROL

In some implementations, flow control may also be necessary in the direction from the Controller to the Host. The HCI_Set_Controller_To_Host_Flow_Control command can be used to turn flow control on or off in that direction.

On initialization, the Host uses the HCI_Host_Buffer_Size command to notify the Controller about the maximum size of HCI ACL and Synchronous Data packets sent from the Controller to the Host. The command also contains two additional command parameters to notify the Controller about the total number of ACL and Synchronous Data packets that can be stored in the data buffers of the Host.

The Host uses the HCI_Host_Number_Of_Completed_Packets command in exactly the same way as the Controller uses the HCI_Number_Of_Completed_Packets event as was previously described in this section, but a packet is completed when the Host is ready to free the corresponding buffer.

The HCI_Host_Number_Of_Completed_Packets command is a special command for which no command flow control is used, and which can be sent anytime there is a connection or when in local loopback mode. The command also has no event after the command has completed. This makes it possible for the flow control to work in exactly the same way in both directions, and the flow of normal commands will not be disturbed.

For each individual Connection_Handle, the data shall be sent to the Host in HCI Data packets in the order in which it was provided by the Controller and shall arrive at the Host in that order.



4.3 DISCONNECTION BEHAVIOR

When the Host receives an HCI_Disconnection_Complete event, the Host shall assume that all unacknowledged HCI Data packets that have been sent to the Controller for the returned Handle have been flushed, and that the corresponding data buffers have been freed. A Controller does not have to notify the Host about this in an HCI_Number_Of_Completed_Packets or an HCI_Number_Of_Completed_Data_Blocks event before the disconnection event.

If flow control is also enabled in the direction from the Controller to the Host, the Controller may, after it has sent an HCI_Disconnection_Complete event, assume that the Host will flush its data buffers for the sent Handle when it receives the HCI_Disconnection_Complete event. The Host does not have to notify the Controller about this in an HCI_Host_Number_Of_Completed_Packets command.

4.4 COMMAND FLOW CONTROL

On initial power-on, and after a reset, the Host shall send a maximum of one outstanding HCI Command packet until an HCI_Command_Complete or HCI_Command_Status event has been received.

The HCI_Command_Complete and HCI_Command_Status events contain a parameter called Num_HCI_Command_Packets, which indicates the number of HCI Command packets the Host is currently allowed to send to the Controller. The Controller may buffer one or more HCI Command packets, but the Controller shall start performing the commands in the order in which they are received. The Controller can start performing a command before it completes previous commands. Therefore, the commands do not always complete in the order they are started.

To indicate to the Host that the Controller is ready to receive HCI command packets, the Controller may generate an HCI_Command_Complete or HCI_Command_Status event with the Command Opcode set to 0x0000 and the Num_HCI_Command_Packets event parameter set to 1 or more. Command Opcode 0x0000 is a special value indicating that this event is not associated with a command sent by the Host. The Controller can send an HCI_Command_Complete or HCI_Command_Status event with Command Opcode 0x0000 at any time to change the number of outstanding HCI Command packets that the Host can send before waiting. If the Controller generates an HCI_Command_Complete or HCI_Command_Status event with the Num_HCI_Command_Packets event parameter set to zero, the Host shall stop sending commands.

HCI commands may take different amounts of time to be completed. Therefore, the results of commands will be reported back to the Host in the form of an event. For example, for most HCI commands the Controller will generate the HCI_Command_Complete event when a command is completed. This event



contains the return parameters for the completed HCI command. For enabling the Host to detect errors on the HCI-Transport Layer, there needs to be a time-out between the transmission of the Host's command and the reception of the Controller's response (e.g. an HCI_Command_Complete or HCI_Command_Status event). Since the maximum response timeout is strongly dependent on the HCI-Transport Layer used, it is recommended to use a default value of one second for this timer. This amount of time is also dependent on the number of commands unprocessed in the command queue.

There are two separate patterns of command execution. For the first type (used by those commands which are expected to complete quickly and are carried out entirely in the local Controller), the Controller shall send the Host an HCI_Command_Complete event when it has completed the command. For the second type (used by those commands that are expected to take a significant length of time, usually because they involve interaction with a peer device), the Controller shall send the Host an HCI_Command_Status event when it has received the command and checked the parameters. When the actions associated with the command have finished, a separate event that is associated with the command (the "completion event") shall be sent by the Controller to the Host. Between the times that these two events are generated (even if they have not yet been received by the Host), this type of command is described as "pending".

If a command of the second type does not begin to execute (for example, if there was a parameter error or the command is currently not allowed), the HCI_Command_Status event shall be returned with the appropriate error code in the Status parameter and no completion event is generated.

When a Connection_Handle is deleted and there are pending commands relating to that Connection_Handle, the Controller may return the completion event for each command to the Host. Each such event shall have a non-zero status and shall precede the event indicating the deletion of the Connection_Handle. No events for that Connection_Handle shall be sent after the event indicating the deletion of the Connection_Handle.

4.5 COMMAND ERROR HANDLING

Unless explicitly stated otherwise in the description of a command, any error in any parameter means that the command will not begin to execute; it will only return an error code. If more than one error code is applicable, the implementation shall choose one of them.

If an error occurs for a command for which an HCI_Command_Complete event is returned, the error shall be reported in the Status parameter.

If an error occurs for a command for which an HCI_Command_Status event and a completion event are returned, there are two possibilities; which happens will depend on the specific error. If the error is one which means the command will not begin to execute (including any errors in parameters), the



error shall be returned as a non-zero Status parameter in the HCI_Command_Status event and no completion event will be returned. If the error is not detected until after the HCI_Command_Status event has been generated, the HCI_Command_Status event shall have the Status parameter set to zero and the error shall be returned in the Status parameter of the completion event.

If the Controller does not support an issued command, it shall return the error code *Unknown HCI command* (0x01) in the Status parameter of either an HCI_Command_Complete event or an HCI_Command_Status event; which event is used is vendor-specific.

If an error occurs for a command for which an HCI_Command_Complete event is returned, the Return Parameters field may only contain some of the return parameters specified for the command. The Status parameter, which explains the error reason and which is the first return parameter, shall always be returned. If there is a Handle parameter or a BD_ADDR parameter right after the Status parameter, this parameter shall also be returned so that the Host can identify to which instance of a command the HCI_Command_Complete event belongs. In this case, the Handle or BD_ADDR parameter shall have exactly the same value as that in the corresponding command parameter. It is implementation specific whether more parameters will be returned in case of an error; if they are not, the event will be shorter than if they were.

The above also applies to commands that have associated command specific completion events with a Status parameter in their completion event, with the exceptions shown in [Table 4.1](#), which indicates the only parameters (other than Status) that are valid. The validity of other parameters is likewise implementation specific for failed commands in this group, but they shall be sent in any case.

Event	Valid parameters
Connection_Complete	BD_ADDR
Synchronous_Connection_Complete	BD_ADDR
LE_Connection_Complete	<i>none</i>
LE_Enhanced_Connection_Complete	<i>none</i>
LE_Periodic_Advertising_Sync_Established	<i>none</i>
LE_CIS_Established	Connection_Handle
LE_CIS_Request	<i>none</i>
LE_Create_BIG_Complete	BIG_Handle
LE_Terminate_BIG_Complete	BIG_Handle
LE_BIG_Sync_Established	BIG_Handle
LE_Request_Peer_SCA_Complete	Connection_Handle

Table 4.1: Valid parameters for command completion events reporting an error



For the purposes of this section, the `Subevent_Code` parameter of the `HCI_LE_Meta` event (see [Section 7.7.65](#)) is not treated as a parameter and is always valid.

Note: The `BD_ADDR` return parameter of the command `HCI_Read_BD_ADDR` is not used to identify to which instance of the `HCI_Read_BD_ADDR` command the `HCI_Command_Complete` event belongs. It is optional for the Controller to return this parameter in case of an error.

4.6 LMP TRANSACTION AND LL PROCEDURE COLLISIONS

If the Host issues a command that returns a successful `HCI_Command_Status` event but then triggers an LMP transaction or Link Layer procedure that terminates with the error code *LMP Error Transaction Collision / LL Procedure Collision* (0x23) because the peer has also initiated the same transaction or procedure, then the Controller shall take one of the following actions:

- The Controller shall wait until the peer-initiated transaction or procedure has completed and use the result to generate the command-specific completion event. In this case, the collision is not reported to the Host.
- The Controller shall generate the command-specific completion event with the error code *LMP Error Transaction Collision / LL Procedure Collision* (0x23).

4.7 LE HOST AND CONTROLLER SYNCHRONIZATION

To synchronize the timing of isochronous data received in the Host with the timing of the isochronous data received in the Controller from the isochronous physical channel, the Controller can include a time stamp (see [\[Vol 6\] Part G, Section 1](#)) in each `HCI_ISO Data` packet. Similarly, the Host can include a time stamp in each SDU (see [\[Vol 6\] Part G, Section 1](#)) sent to the Controller.

A Host can use the `HCI_LE_Read_ISO_TX_Sync` command at any time to read the time stamp and packet sequence number of the last SDU scheduled for transmission.

4.8 VERSIONED EVENTS

If an event has more than one version and the event is generated, the Controller shall use the latest version that is enabled (“unmasked”) in the relevant event mask (see [Section 7.3.1](#), [Section 7.3.69](#), and [Section 7.8.1](#)).



5 HCI DATA FORMATS

5.1 CORRECTNESS

The Controller shall set the value of return and event parameters so as to correctly represent the data or circumstances being reported. For example, in the HCI_Connection_Complete event (see [Vol 4] Part E, Section 7.7.3), the value of the Link_Type parameter must correctly indicate the type of connection being reported.

5.2 DATA AND PARAMETER FORMATS

- All values are in binary and hexadecimal little-endian formats unless otherwise noted.
- In addition, all parameters which can have negative values shall use two's complement when specifying values.
- Unless noted otherwise, the order of parameters in an HCI Command packet or HCI Event packet is the order the parameters are listed in the command or event.
- Arrayed parameters are specified using the following notation: ParameterA[i]. If more than one set of arrayed parameters are specified (e.g. ParameterA[i], ParameterB[i]), then, unless noted otherwise, the order of the parameters are as follows: ParameterA[0], ParameterB[0], ParameterA[1], ParameterB[1], ParameterA[2], ParameterB[2], ... ParameterA[n], ParameterB[n]. The description of an arrayed parameter will actually describe a single element of the array.
- Unless noted otherwise, all parameter values are sent and received in little-endian format (i.e. for multi-octet parameters the rightmost (Least Significant Octet) is transmitted first).
- Most command and event parameters that are not-arrayed and all elements in an arrayed parameter have fixed sizes (an integer number of octets). Where a parameter, or an element of an arrayed parameter, has a variable length, this will be noted in the specific command; the length will then be specified in another parameter. The parameters and the size of each not-arrayed parameter (or of each element in an arrayed parameter) contained in a command or an event is specified for each command or event. The number of elements in an arrayed parameter is not fixed.
- Where a command or event has one or more arrayed parameters, the maximum value specified for the parameter that determines the array size can result in an array that is too big to fit in the HCI command or event packet. When this happens, the effective maximum of that parameter will be less than the specified maximum and can depend on the size or value of other parameters.



- Where bit strings are specified, the low order bit is the right hand bit, e.g. 0 is the low order bit in 0b10.
- Where a parameter value is described as "0xXX" or "N = 0xXX" (with an appropriate number of "X"s), then the description applies to all possible values other than any for which a separate description is given. Where the description specifies a range, values outside that range (if any) are reserved for future use.
- Parameter values or opcodes that an implementation does not know how to interpret shall be ignored and the operation that is being attempted shall be completed with the correct signaling. The Host or Controller shall not stop functioning because of receiving a reserved value.
- Unless noted otherwise, such as in a "Mandatory Range" statement or because a value relates to an optional feature that is not supported, the Controller shall support all valid values of all parameters (values reserved for future use are not valid).

5.3 IDS AND HANDLES

Two types of identifiers are used in HCI commands and events.

IDs, assigned by the Host, are identifiers used between two peer devices and sent over the air in PDUs. Each different type of ID has a separate number space. The CIS_ID has a separate number space for each CIG_ID.

Handles, assigned by either the Host in a command or by the Controller in an event, are identifiers used between the Host and the Controller but not sent over the air. Some handles share the same number spaces and others have separate number spaces.

When a device allocates an ID or Handle for a new object (e.g. when the Controller allocates a Connection_Handle for a new ACL connection), it shall not use a handle that is currently allocated to another object in the same number space.

After a device deletes an ID or Handle (e.g. after the Controller deletes a Connection_Handle for a disconnected ACL connection), it may reuse the ID or Handle.

5.3.1 Controller handles

Connection_Handles, Sync_Handles, Advertising_Handles, and BIG_Handles are Controller Handles used to identify logical channels between the Host and the Controller.

Connection_Handles are assigned by the Controller when a new logical transport is created or reserved and reported to the Host in one of the following events: Connection Complete, Synchronous Connection Complete, LE Con-



nection Complete, LE Enhanced Connection Complete, LE CIS Request, LE Create BIG Complete, HCI_LE_BIG_Sync_Established, or Command Complete events following the LE Set CIG Parameters command. Broadcast Connection_Handles that use the BR/EDR transport are handled differently, and are described in [Section 5.3.1.1](#).

Sync_Handles are assigned by the Controller when a new logical transport is created and reported to the Host in the LE Periodic Advertising Sync Established event.

Advertising_Handles are assigned by the Host when a new advertising set is created by using the LE Set Extended Advertising Parameters command.

BIG_Handles are assigned by the Host when a new BIG is created using one of the following commands: LE Create BIG, LE Create BIG Test, and LE_BIG_Create_Sync.

All connection handles that are assigned by the Controller shall be derived from the same number space. Sync handles shall be assigned by the Controller from a separate number space.

Advertising handles and BIG handles are assigned by the Host from separate number spaces.

5.3.1.1 Broadcast Connection_Handles

The first time the Host sends an HCI ACL Data packet with Broadcast_Flag set to 0b01 (active Peripheral broadcast) after a power-on or a reset, the value of the Connection_Handle parameter shall be a value which is not currently assigned by the Controller.

The BR/EDR Controller shall then continue to use the same Connection_Handle for broadcast until a reset is made. The Controller shall not re-allocate a Connection_Handle that it knows is used for broadcast.

In some situations, it may happen that the Controller sends a Connection Complete event before having interpreted a Broadcast packet received from the Host, and that the Connection_Handles of both Connection Complete event and HCI ACL Data packet are the same. This conflict is avoided as follows:

If a Connection Complete event is received containing the Connection_Handle used for broadcast, the Host shall wait before sending any packets for the new connection until it receives a Number Of Completed Packets event indicating that there are no pending broadcast packets belonging to the Connection_Handle. The Host shall also change the Connection_Handle used for broadcast to a Connection_Handle which is currently not assigned by the Controller. This Connection_Handle shall then be used for all following broadcasts of until a reset is performed or the same conflict situation happens again. However, this will occur very rarely.



By following this procedure, the Controller can distinguish between the Broadcast message sent by the Host and the new connection made (this could be even a new synchronous link) even though the Connection_Handles are the same.

For an HCI ACL Data packet sent from the Controller to the Host where the Broadcast_Flag is 01, the Connection_Handle parameter should contain the Connection_Handle for the ACL connection to the Central that sent the broadcast.

For Connectionless Peripheral Broadcast, no Connection_Handle is assigned.

5.3.2 [This section is no longer used]

5.4 EXCHANGE OF HCI-SPECIFIC INFORMATION

The Host Controller Transport Layer provides transparent exchange of HCI specific information. These transporting mechanisms provide the ability for the Host to send HCI commands, receive HCI events, and send and receive data to the Controller. Since the Host Controller Transport Layer provides transparent exchange of HCI-specific information, the HCI specification specifies the format of the commands, events, and data exchange between the Host and the Controller(s). The next sections specify the HCI packet formats.

5.4.1 HCI Command packet

The HCI Command packet is used to send commands to the Controller from the Host. The format of the HCI Command packet is shown in [Figure 5.1](#), and the definition of each field is explained below.

Controllers shall be able to accept HCI Command packets with up to 255 bytes of data excluding the HCI Command packet header. The HCI Command packet header is the first 3 octets of the packet.

Each command is assigned a 2 byte Opcode used to uniquely identify different types of commands. The Opcode parameter is divided into two fields, called the Opcode Group Field (OGF) and Opcode Command Field (OCF). The OGF occupies the upper 6 bits of the Opcode, while the OCF occupies the remaining 10 bits. Any opcode not mentioned in this Part is reserved for future use.

The OGF value 0x3E is reserved for future use (used for specification development purposes).

The OGF of 0x3F is reserved for vendor-specific debug commands. The organization of the opcodes allows additional information to be inferred without fully decoding the entire Opcode.



Note: The OGF composed of all ‘ones’ has been reserved for vendor-specific debug commands. These commands are vendor-specific and are used during manufacturing, for a possible method for updating firmware, and for debugging.

On receipt of a Vendor Specific Debug command the Controller should respond with either:

1. An HCI_Command_Status event. If the status indicates success ([Section 7.7.15](#)) then this event shall be followed by an HCI event with Event Code field of 0xFF ([Section 5.4.4](#)).
2. An HCI_Command_Complete event specifying the corresponding Vendor Specific Debug command opcode.

The Host shall assume that sending of an HCI_Vendor_Specific_Debug command will consume an HCI command credit.

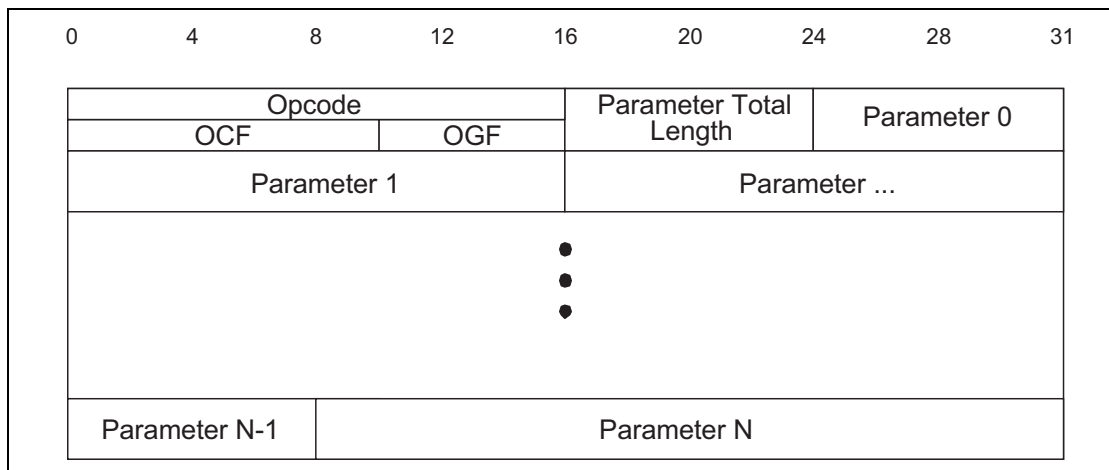


Figure 5.1: HCI Command packet

Opcode: **Size: 2 octets**

Value	Parameter Description
0xXXXX	OGF Range (6 bits): 0x00 to 0x3F (0x3F reserved for vendor-specific debug commands) OCF Range (10 bits): 0x0000 to 0x03FF

Parameter_Total_Length: **Size: 1 octet**

Value	Parameter Description
0xXX	Lengths of all of the parameters contained in this packet measured in octets. (N.B.: total length of parameters, not number of parameters)



Parameter 0 - N:

Size: Parameter_Total_Length

Value	Parameter Description
0xXX	Each command has a specific number of parameters associated with it. These parameters and the size of each of the parameters are defined for each command. Each parameter is an integer number of octets in size.

5.4.2 HCI ACL Data packets

HCI ACL Data packets are used to exchange data between the Host and Controller. There are two types of HCI ACL Data packets:

- Automatically-Flushable
- Non-Automatically-Flushable

Automatically-Flushable HCI ACL Data packets are flushed based on the setting of an automatic flush timer (see [Read Automatic Flush Timeout command](#)). Non-Automatically-Flushable HCI ACL Data packets are not controlled by the automatic flush timeout and shall not be automatically flushed. The format of the HCI ACL Data packet is shown in [Figure 5.2](#). The definition for each of the fields in the data packets is explained below.

Hosts and Controllers shall be able to accept HCI ACL Data packets with up to 27 bytes of data excluding the HCI ACL Data packet header on Connection_Handles associated with an LE-U logical link. The HCI ACL Data packet header is the first 4 octets of the packet.

Note: HCI ACL Data packets with a Connection_Handle associated with an LE-U logical link will not be affected by the automatic flush timer because only non-flushable packet boundary flags are allowed.



Figure 5.2: HCI ACL Data packet



Handle:

Size: 12 Bits

Value	Parameter Description
0xXXX	Connection_Handle to be used for transmitting a data packet or segment over a Controller. Range: 0x000 to 0xEFF (all other values reserved for future use)

The Flag Bits consist of the Packet_Boundary_Flag and Broadcast_Flag. The Packet_Boundary_Flag is located in bit 4 and bit 5, and the Broadcast_Flag is located in bit 6 and bit 7 in the second octet of the HCI ACL Data packet.

Packet_Boundary_Flag:

Size: 2 Bits

Value	Parameter Description		APB-U	ACL-U	LE-U
0b00	First non-automatically-flushable packet of a higher layer message (start of a non-automatically-flushable L2CAP PDU) from Host to Controller.	Host to Controller	Not allowed	Allowed	Allowed
		Controller to Host	Not allowed	Not allowed (except during loop-back)	Not allowed
0b01	Continuing fragment of a higher layer message	Host to Controller	Allowed	Allowed	Allowed
		Controller to Host	Allowed	Allowed	Allowed
0b10	First automatically flushable packet of a higher layer message (start of an automatically-flushable L2CAP PDU).	Host to Controller	Allowed	Allowed	Not Allowed
		Controller to Host	Allowed	Allowed	Allowed
0b11	Previously used				

The start of a non-flushable packet of a higher layer message (start of a non-automatically-flushable L2CAP PDU) with the PBF of 0b00 shall be transmitted with an LLID of 0b10. All continuing fragment packets of a higher layer message shall be transmitted with an LLID of 0b01.

Broadcast_Flag:

Size: 2 Bits

Value	Parameter Description
0b00	Point-to-point (ACL-U or LE-U)
0b01	BR/EDR broadcast (APB-U)
0b10	Reserved for future use.
0b11	Reserved for future use.



Note: The Broadcast_Flag value 0b01 may only be used in packets from Host to Controller on the Central of a piconet and from Controller to Host on the Peripheral of a piconet. Peripherals in Sniff mode will only receive a broadcast packet if it happens to be sent in a sniff slot when the Peripheral is listening.

Data_Total_Length:

Size: 2 octets

Value	Parameter Description
0xXXXX	Length of data measured in octets.

5.4.3 HCI Synchronous Data packets

HCI Synchronous Data packets are used to exchange synchronous data (SCO and eSCO) between the Host and Controller. The format of the HCI Synchronous Data packet is shown in Figure 5.3. The definition for each of the fields in the data packets is explained below. The HCI Synchronous Data packet header is the first 3 octets of the packet.

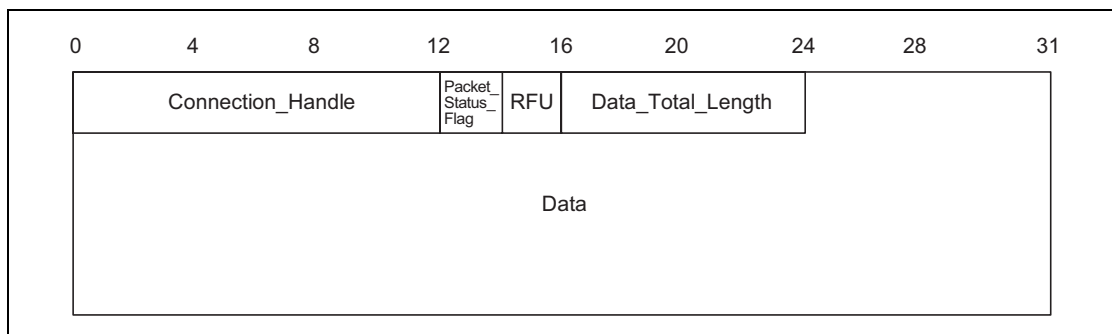


Figure 5.3: HCI Synchronous Data packet

Connection_Handle:

Size: 12 Bits

Value	Parameter Description
0xXXXX	Connection_Handle to be used to for transmitting a synchronous data packet or segment. Range: 0x0000 to 0x0EFF

The Packet_Status_Flag bits consist of two bits, which are located from bit 4 to 5 in the second octet of the HCI Synchronous Data packet.

The Host shall set the Packet_Status_Flag bits to 0b00.

If the Erroneous_Data_Reporting parameter was set to disabled when the synchronous connection was created, the Controller shall set the Packet_Status_Flag bits to 0b00 and whether or not data is provided for cases when a valid (e)SCO packet was not received is unspecified.



If the `Erroneous_Data_Reporting` parameter was set to enabled when the synchronous connection was created, the Controller shall set the `Packet_Status_Flag` according to the following table.

Packet_Status_Flag (in packets sent by the Controller): *Size: 2 Bits*

Value	Parameter Description
0b00	Correctly received data. The payload data belongs to received eSCO or SCO packets that the Baseband marked as "good data".
0b01	Possibly invalid data. At least one eSCO packet has been marked by the Baseband as "data with possible errors" and all others have been marked as "good data" in the eSCO interval(s) corresponding to the HCI Synchronous Data packet.
0b10	No data received. All data from the Baseband received during the (e)SCO interval(s) corresponding to the HCI Synchronous Data packet have been marked as "lost data" by the Baseband. The Payload data octets shall be set to 0.
0b11	Data partially lost. Not all, but at least one (e)SCO packet has been marked as "lost data" by the Baseband in the (e)SCO intervals corresponding to the HCI Synchronous Data packet. The payload data octets corresponding to the missing (e)SCO packets shall be set to 0.

Note: Some HCI transports and/or Controller implementations will align the HCI Synchronous Data packets with the (e)SCO Baseband packets such that data integrity can be explicitly marked in the `Packet_Status_Flag`. For HCI transports or Controller implementations that do not preserve this alignment, information in the `Packet_Status_Flag` may be ambiguous.

Data_Total_Length: *Size: 1 octet*

Value	Parameter Description
0xXX	Length of synchronous data measured in octets

5.4.4 HCI Event packet

The HCI Event packet is used by the Controller to notify the Host when events occur. If the Controller sends an HCI Event Packet containing an Event Code or an LE subevent code that the Host has not masked out and does not support, the Host shall ignore that packet. Any event code or LE subevent code not mentioned in this Part is reserved for future use. The Host shall be able to accept HCI Event packets with up to 255 octets of data excluding the HCI Event packet header. The format of the HCI Event packet is shown in [Figure 5.4](#), and the definition of each field is explained below. The HCI Event packet header is the first 2 octets of the packet.

The event code 0xFE is reserved for future use (used for specification development purposes). The event code 0xFF is reserved for vendor-specific debugging events.



Note: An LE Controller uses a single Event Code (see Section 7.7.65) to transmit all LE specific events from the Controller to the Host. The first Event Parameter is always a subevent code identifying the specific event. Controllers should use subevent codes with Event Codes 0xFE and 0xFF.

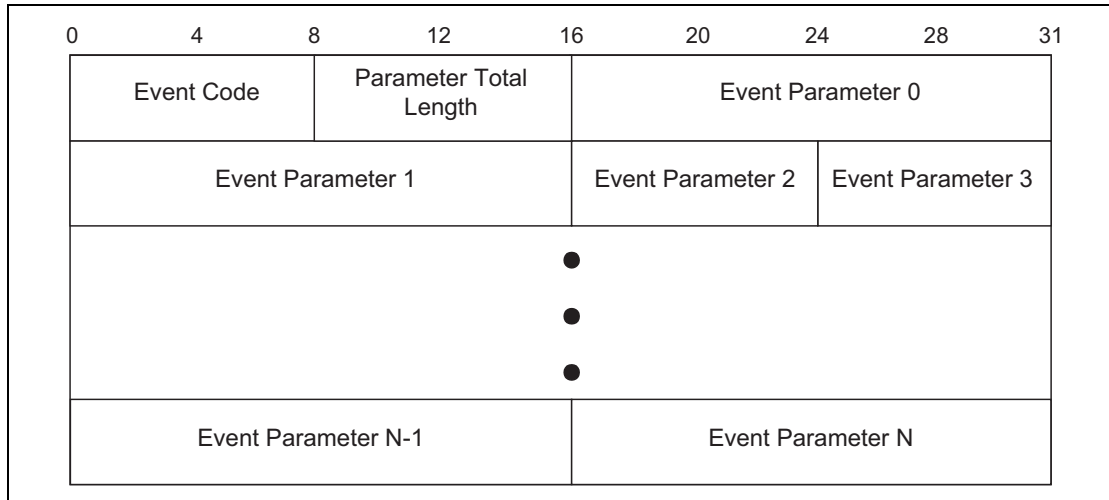


Figure 5.4: HCI Event packet

Event_Code: *Size: 1 octet*

Value	Parameter Description
0xXX	Each event is assigned a 1-Octet event code used to uniquely identify different types of events.

Parameter_Total_Length: *Size: 1 octet*

Value	Parameter Description
0xXX	Length of all of the parameters contained in this packet, measured in octets

Event_Parameter 0 - N: *Size: Parameter_Total_Length*

Value	Parameter Description
0xXX	Each event has a specific number of parameters associated with it. These parameters and the size of each of the parameters are defined for each event. Each parameter is an integer number of octets in size.

5.4.5 HCI ISO Data packets

HCI ISO Data packets are used to exchange isochronous data between the Host and Controller. An HCI ISO Data packet holds either an SDU or part of an SDU. In the Host to Controller direction, it cannot contain more data than the size of the buffer supported by the Controller. If the length of an SDU is greater than the Controller's buffer size, the Host may need to fragment that SDU. The Controller shall not start sending an SDU or fragments of an SDU to the Host



until all the PDUs containing data from that SDU have either been received or can no longer be received because the last opportunity for them to be transmitted has passed. SDU fragments generated over HCI are unrelated to the SDU fragments generated by ISOAL.

The format of the HCI ISO Data packet is shown in [Figure 5.5](#). The definition of each field in the packet is given below. The HCI ISO Data packet header is the first 4 octets of the packet.

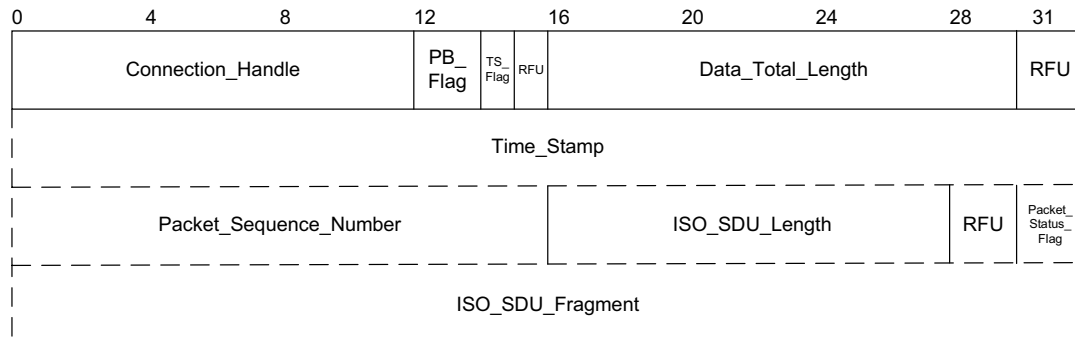


Figure 5.5: Format of an HCI ISO Data packet

If PB_Flag equals 0b00 or 0b10, then the Packet_Sequence_Number, ISO_SDU_Length, and Packet_Status_Flag fields (plus the intermediate RFU field) shall all be present in the packet and the Time_Stamp field may be present. If PB_Flag equals 0b01 or 0b11, then none of these fields shall be included in the packet.

Connection_Handle:

Size: 12 bits

Value	Parameter Description
0xXXX	Connection_Handle to be used for transmitting an ISO SDU or fragment. Range: 0x000 to 0xEFF

PB_Flag:

Size: 2 bits

Value	Parameter Description
0b00	The ISO_SDU_Fragment field contains the first fragment of a fragmented SDU.
0b01	The ISO_SDU_Fragment field contains an intermediate fragment of an SDU.
0b10	The ISO_SDU_Fragment field contains a complete SDU.
0b11	The ISO_SDU_Fragment field contains the last fragment of an SDU.



TS_Flag:

Size: 1 bit

Value	Parameter Description
0	The Time_Stamp field is not present in the packet.
1	The Time_Stamp field is present in the packet.

Data_Total_Length:

Size: 14 bits

Value	Parameter Description
0xXXXX	Length of the packet, excluding the packet header, in octets.

In the Host to Controller direction, Data_Total_Length shall be less than or equal to the size of the buffer supported by the Controller (which is returned using the ISO_Data_Packet_Length return parameter of the LE Read Buffer Size command).

If PB_Flag is 0b01 or 0b11, then Data_Total_Length may be zero. Otherwise Data_Total_Length is at least 4 if TS_Flag is 0 and at least 8 if TS_Flag is 1.

Time_Stamp:

Size: 32 bits

Value	Parameter Description
0XXXXXXXX	A time in microseconds (see [Vol 6] Part G, Section 3).

Packet_Sequence_Number:

Size: 16 bits

Value	Parameter Description
0XXXX	The sequence number of the SDU (see [Vol 6] Part G, Section 1).

ISO_SDU_Length:

Size: 12 bits

Value	Parameter Description
0XXXX	The total length of the SDU (and not of any individual fragments), in octets.

The Packet_Status_Flag field indicates the status of the packet that the Controller receives over the isochronous physical channel. The Packet_Status_Flag field is only valid in HCI ISO Data packets sent by the Controller and is reserved for future use in packets sent by the Host.

Packet_Status_Flag (in packets sent by the Controller)

Size: 2 bits

Value	Parameter Description
0b00	Valid data. The complete SDU was received correctly.
0b01	Possibly invalid data. The contents of the ISO_SDU_Fragment may contain errors or part of the SDU may be missing. This is reported as "data with possible errors".



Value	Parameter Description
0b10	Part(s) of the SDU were not received correctly. This is reported as "lost data".
All other values	Reserved for future use

The ISO_SDU_Fragment field shall contain the isochronous data (the SDU or fragment of the SDU). This field may be empty. When Packet_Status_Flag is set to 0b10 in packets from the Controller to the Host, there is no data, PB_Flag shall be set to 0b10, and ISO_SDU_Length shall be set to zero.

5.5 IGNORED PARAMETERS

When a parameter of a command or event is described as “ignored” (this is usually only in a specific circumstance), then the value of this parameter shall not affect the behavior of the recipient (whether Controller or Host) in any way. In particular, the Controller shall not report an error because the value is out of range, reserved for future use, or represents an inappropriate entity (e.g. a Connection_Handle may be unassigned or for the wrong logical channel), or because two related values have the wrong relationship (e.g. minimum > maximum).



6 HCI CONFIGURATION PARAMETERS

6.1 SCAN ENABLE

The `Scan_Enable` parameter controls whether or not the BR/EDR Controller will periodically scan for page attempts and/or inquiry requests from other BR/EDR Controllers. If Page Scan is enabled, then the device will enter page scan mode based on the value of the `Page_Scan_Interval` and `Page_Scan_Window` parameters. If Inquiry Scan is enabled, then the BR/EDR Controller will enter Inquiry Scan mode based on the value of the `Inquiry_Scan_Interval` and `Inquiry_Scan_Window` parameters.

Scan_Enable:

Size: 1 octet

Value	Parameter Description
0x00	No Scans enabled.
0x01	Inquiry Scan enabled. Page Scan always disabled.
0x02	Inquiry Scan disabled. Page Scan enabled.
0x03	Inquiry Scan enabled. Page Scan enabled.
All other values	Reserved for future use

6.2 INQUIRY SCAN INTERVAL

The `Inquiry_Scan_Interval` configuration parameter defines the amount of time between consecutive inquiry scans. This is defined as the time interval from when the BR/EDR Controller started its last inquiry scan until it begins the next inquiry scan.

Inquiry_Scan_Interval:

Size: 2 octets

Value	Parameter Description
N = 0xXXXX	Range: 0x0012 to 0x1000; only even values are valid Default: 0x1000 Time = N × 0.625 ms Time Range: 11.25 to 2560 ms Time Default: 2.56 s



6.3 INQUIRY SCAN WINDOW

The Inquiry_Scan_Window configuration parameter defines the amount of time for the duration of the inquiry scan. The Inquiry_Scan_Window can only be less than or equal to the Inquiry_Scan_Interval.

Inquiry_Scan_Window:

Size: 2 octets

Value	Parameter Description
N = 0xXXXX	Range: 0x0011 to 0x1000 Default: 0x0012 Mandatory Range: 0x0011 to Inquiry Scan Interval Time = N × 0.625 ms Time Range: 10.625 ms to 2560 ms Time Default: 11.25 ms

6.4 INQUIRY SCAN TYPE

The Inquiry_Scan_Type configuration parameter indicates whether inquiry scanning will be done using non-interlaced scan or interlaced scan. Currently, one mandatory inquiry scan type and one optional inquiry scan type are defined. For details, see [Vol 2] Part B, Section 8.4.1.

Inquiry_Scan_Type:

Size: 1 octet

Value	Parameter Description
0x00	Mandatory: Standard Scan (default)
0x01	Optional: Interlaced Scan
All other values	Reserved for future use

6.5 INQUIRY MODE

The Inquiry_Mode configuration parameter indicates whether inquiry returns Inquiry Result events in the standard format, with RSSI, or with RSSI and extended inquiry response information.

Inquiry_Mode:

Size: 1 octet

Value	Parameter Description
0x00	Standard Inquiry Result event format
0x01	Inquiry Result format with RSSI
0x02	Inquiry Result with RSSI format or Extended Inquiry Result format
All other values	Reserved for future use



6.6 PAGE TIMEOUT

The Page_Timeout configuration parameter together with Extended_Page_Timeout defines the maximum time the local Link Manager will wait for a Baseband page response from the remote device at a locally initiated connection attempt. If this time expires and the remote BR/EDR Controller has not responded to the page at Baseband level, the connection attempt will be considered to have failed.

Page_Timeout:

Size: 2 octets

Value	Parameter Description
N = 0xXXXX	Range: 0x0001 to 0xFFFF Default: 0x2000 Mandatory Range: 0x0016 to 0xFFFF Time = N × 0.625 ms Time Range: 0.625 ms to 40.9 s Time Default: 5.12 s

6.7 CONNECTION ACCEPT TIMEOUT

The Connection_Accept_Timeout configuration parameter allows the BR/EDR or LE Controller to automatically deny a connection request after a specified time period has occurred and the new connection is not accepted. The parameter defines the time duration from when the BR/EDR Controller sends an HCI_Connection_Request event or the LE Controller sends an HCI_LE_CIS_Request event until the Controller will automatically reject an incoming connection.

Connection_Accept_Timeout:

Size: 2 octets

Value	Parameter Description
N = 0xXXXX	Range: 0x0001 to 0xB540 Default: 0x1F40 Mandatory Range: 0x00A0 to 0xB540 Time = N × 0.625 ms Time Range: 0.625 ms to 29 s Time Default: BR/EDR 5 s

6.8 PAGE SCAN INTERVAL

The Page_Scan_Interval configuration parameter defines the amount of time between consecutive page scans. This time interval is defined from when the Controller started its last page scan until it begins the next page scan.



Page_Scan_Interval:

Size: 2 octets

Value	Parameter Description
N = 0xXXXX	Range: 0x0012 to 0x1000; only even values are valid Default: 0x0800 Time = N × 0.625 ms Time Range: 11.25 ms to 2560 ms Time Default: 1.28 s

6.9 PAGE SCAN WINDOW

The Page_Scan_Window configuration parameter defines the amount of time for the duration of the page scan. The Page_Scan_Window can only be less than or equal to the Page_Scan_Interval.

Page_Scan_Window:

Size: 2 octets

Value	Parameter Description
N = 0xXXXX	Range: 0x0011 to 0x1000 Default: 0x0012 Mandatory Range: 0x0011 to Page Scan Interval Time = N × 0.625 ms Time Range: 10.625 ms to Page Scan Interval Time Default: 11.25 ms

6.10 [THIS SECTION IS NO LONGER USED]

6.11 PAGE SCAN TYPE

The Page_Scan_Type parameter indicates whether page scanning will be done using non-interlaced scan or interlaced scan. For details, see [\[Vol 2\] Part B, Section 8.3.1](#).

Page_Scan_Type:

Size: 1 octet

Value	Parameter Description
0x00	Mandatory: Standard Scan (default)
0x01	Optional: Interlaced Scan
All other values	Reserved for future use

6.12 VOICE SETTING

The Voice_Setting parameter controls all the various settings for voice connections. The Voice_Setting parameter controls the configuration for voice connections: Input Coding, Air coding format, input data format, Input sample



size, and linear PCM parameter. The air coding format bits in the Voice_Setting command parameter specify which air coding format the local device requests. The air coding format bits do not specify which air coding format(s) the local device accepts when a remote device requests an air coding format. This is determined by the hardware capabilities of the local BR/EDR Controller.

Voice_Setting:

Size: 1 octet

Bit number	Parameter description	
0 – 1	Air coding format	0: CVSD 1: μ -law 2: A-law 3: transparent data
2 – 4	Linear PCM bit position - number of bit positions that the MSB of the sample is from the MSB of the value (only for linear PCM)	
5	Input sample size (only for linear PCM)	0: 8 bits 1: 16 bits
6 – 7	Input data format	0: one's complement 1: two's complement 2: sign and magnitude 3: unsigned
8 – 9	Input coding format	0: linear 1: μ -law 2: A-law 3: Reserved for future use
10 – 15	Reserved for future use	

6.13 PIN TYPE

The PIN_Type configuration parameter determines whether the Link Manager assumes that the Host supports variable PIN codes or a fixed PIN code. The Controller uses the PIN_Type information during pairing.

PIN_Type:

Size: 1 octet

Value	Parameter Description
0x00	Variable PIN.
0x01	Fixed PIN.

6.14 LINK KEY

The Controller can store a limited number of link keys for other BR/EDR Controllers. Link keys are shared between two BR/EDR Controllers, and are used for all security transactions between the two BR/EDR Controllers. A Host



device may have additional storage capabilities, which can be used to save additional link keys to be reloaded to the BR/EDR Controller when needed. A Link_Key is associated with a BD_ADDR.

Link_Key: *Size: 16 octets*

Value	Parameter Description
0XXXXXXXXXXXXX XXXXXXXXXXXXX XXXXXXXXXXXXX	Link Key for an associated BD_ADDR.

6.15 FAILED CONTACT COUNTER

The Failed_Contact_Counter records the number of consecutive incidents in which either the local or remote device did not respond after the flush timeout had expired, and the L2CAP PDU that was currently being transmitted was automatically ‘flushed’. When this occurs, the Failed_Contact_Counter is incremented by 1.

The Failed_Contact_Counter is maintained for each Connection_Handle.

The Failed_Contact_Counter for a connection is reset to zero on the following conditions:

1. When a new connection is established
2. When the Failed_Contact_Counter is not zero and an L2CAP PDU is acknowledged for that connection
3. When the HCI_Reset_Failed_Contact_Counter command has been issued

Failed_Contact_Counter: *Size: 2 octets*

Value	Parameter Description
0XXXXX	Number of consecutive failed contacts for a connection corresponding to the Connection_Handle

6.16 AUTHENTICATION ENABLE

The Authentication_Enable parameter controls if the local device requires to authenticate the remote device at connection setup (between the HCI_Create_Connection command or acceptance of an incoming ACL connection and the corresponding Connection Complete event). At connection setup, only the device(s) with the Authentication_Enable parameter enabled will try to authenticate the other device.

Note: Changing this parameter does not affect existing connections.

*Authentication_Enable:**Size: 1 octet*

Value	Parameter Description
0x00	Authentication not required.
0x01	Authentication required for all connections.
All other values	Reserved for future use

6.17 HOLD MODE ACTIVITY

The `Hold_Mode_Activity` value is used to determine what activities should be suspended when the BR/EDR Controller is in Hold mode. After the hold period has expired, the device will return to the previous mode of operation. If no activities are suspended, then all of the current Periodic Inquiry, Inquiry Scan, and Page Scan settings remain valid during the Hold mode. If the `Hold_Mode_Activity` parameter is set to Suspend Page Scan, Suspend Inquiry Scan, and Suspend Periodic Inquiries, then the device can enter a low-power state during the Hold mode period and all activities are suspended. The Hold Mode Activity is only valid if all connections are in Hold mode.

*Hold_Mode_Activity:**Size: 1 octet*

Bit	Parameter Description
0	Suspend Page Scan.
1	Suspend Inquiry Scan.
2	Suspend Periodic Inquiries.
All other bits	Reserved for future use.

6.18 LINK POLICY SETTINGS

The `Link_Policy_Settings` parameter determines the behavior of the local Link Manager when it receives a request from a remote Link Manager or it determines itself to change role or to enter Hold or Sniff mode. The local Link Manager will automatically accept or reject such a request from the remote device, and may even autonomously request itself, depending on the value of the `Link_Policy_Settings` parameter for the corresponding `Connection_Handle`. When the value of the `Link_Policy_Settings` parameter is changed for a certain `Connection_Handle`, the new value will only be used for requests from a remote device or from the local Link Manager itself made after this command has been completed. By enabling each mode individually, the Host can choose any combination needed to support various modes of operation. Multiple LM policies may be specified for the `Link_Policy_Settings` parameter by performing a bitwise OR operation of the different activity types.

Note: The local BR/EDR Controller may be forced into Hold mode (regardless of whether the local device is Central or Peripheral) by the remote device



regardless of the value of the Link_Policy_Settings parameter. The forcing of Hold mode can however only be done once the connection has already been placed into Hold mode through an LMP request (the Link_Policy_Settings determine if requests from a remote device should be accepted or rejected). The forcing of Hold mode can after that be done as long as the connection lasts regardless of the setting for Hold mode in the Link_Policy_Settings parameter.

Note: If the implementation in the remote device is a “polite” implementation that does not force another device into Hold mode via LMP PDUs, then the Link_Policy_Settings will never be overruled.

Link_Policy_Settings:

Size: 1 octet

Bit Number	Parameter Description
0	Enable Role switch.
1	Enable Hold mode.
2	Enable Sniff mode.
All other bits	Reserved for future use.

6.19 FLUSH TIMEOUT

The Flush_Timeout configuration parameter is used for ACL connections on a BR/EDR Controller only. The Flush Timeout is defined in [Vol 2] Part B, Section 7.6.3. This parameter allows automatically-flushable ACL packets to be automatically flushed without the Host device issuing an HCI_Flush command. This provides support for isochronous data, such as audio. Non-automatically-flushable ACL packets shall not be affected by this parameter (see Section 5.4.2) providing support for both asynchronous and isochronous data on the same ACL connection. When the L2CAP packet that is currently being transmitted is automatically ‘flushed’, the Failed_Contact_Counter is incremented by one.

Flush_Timeout:

Size: 2 octets

Value	Parameter Description
0x0000	Timeout = ∞; No Automatic Flush
N = 0xXXXX	Range: 0x0001 to 0x07FF Mandatory Range: 0x0002 to 0x07FF Time = N × 0.625 ms Time Range: 0.625 ms to 1279.375 ms

6.20 NUM BROADCAST RETRANSMISSIONS

Broadcast packets are not acknowledged and are unreliable. The Num_Broadcast_Retransmissions parameter, N, is used to increase the reli-



ability of a broadcast message by retransmitting the broadcast message multiple times. This sets the value N_{BC} in the Baseband to one greater than the Num_Broadcast_Retransmissions value. (See [Vol 2] Part B, Section 7.6.5) This parameter should be adjusted as the link quality measurement changes.

Num_Broadcast_Retransmissions: *Size: 1 octet*

Value	Parameter Description
N = 0xXX	$N_{BC} = N + 1$ Range: 0x00 to 0xFE

6.21 LINK SUPERVISION TIMEOUT

The Link_Supervision_Timeout parameter is used by the Controller to monitor link loss. If, for any reason, no packets are received from that Connection_Handle for a duration longer than the Link_Supervision_Timeout, the connection shall be disconnected. For the BR/EDR Controller, the same timeout value is used for both synchronous and ACL connections for the device specified by the Connection_Handle.

Note: Setting the Link_Supervision_Timeout to No link supervision timeout (0x0000) on a BR/EDR Controller will disable the Link_Supervision_Timeout check for the specified Connection_Handle.

Link_Supervision_Timeout: *Size: 2 octets*

Value	Parameter Description
0x0000	No link supervision timeout.
N = 0xXXXX	Range: 0x0001 to 0xFFFF Default: 0x7D00 Mandatory Range: 0x0190 to 0xFFFF Time = $N \times 0.625$ ms Time Range: 0.625 ms to 40.9 s Time Default: BR/EDR 20 s

6.22 SYNCHRONOUS FLOW CONTROL ENABLE

The Synchronous_Flow_Control_Enable configuration parameter allows the Host to decide if the BR/EDR Controller will send HCI_Number_Of_Completed_Packets events for synchronous Connection_Handles. This setting allows the Host to enable and disable synchronous flow control.



Synchronous_Flow_Control_Enable:

Size: 1 octet

Value	Parameter Description
0x00	Synchronous Flow Control is disabled. No HCI_Number_Of_Completed_Packets events will be sent from the BR/EDR Controller for synchronous Connection_Handles.
0x01	Synchronous Flow Control is enabled. HCI_Number_Of_Completed_Packets events will be sent from the BR/EDR Controller for synchronous Connection_Handles.

6.23 LOCAL NAME

The user-friendly Local_Name provides the user the ability to distinguish one BR/EDR Controller from another. The Local_Name configuration parameter is a UTF-8 encoded string with the type utf8{248} defined in [Vol 1] Part E, Section 2.9.3.

Note: The Local_Name configuration parameter is a string parameter. Endianness does therefore not apply to the Local_Name configuration parameter. The first octet of the name is received first.

Local_Name:

Size: 248 octets

Value	Parameter Description
	A UTF-8 encoded User Friendly Descriptive Name for the device with type utf8{248}.

6.24 EXTENDED INQUIRY RESPONSE

The Extended_Inquiry_Response provides information about the local device in response to inquiry from remote devices. The configuration parameter has two parts, a significant part followed by a non-significant part. The non-significant part contains only zero octets. The data format of the significant part is defined in [Vol 3] Part C, Section 8.

Extended_Inquiry_Response:

Size: 240 octets

Value	Parameter Description
	Information about the local device that will be sent in an extended inquiry response packet to remote devices during inquiry response.

6.25 ERRONEOUS DATA REPORTING

The Erroneous_Data_Reporting configuration parameter shall be used for SCO and eSCO connections only. This parameter determines if the BR/EDR Controller is required to provide data to the Host for every (e)SCO interval, with



the Packet_Status_Flag in HCI Synchronous Data packets set according to [Section 5.4.3](#).

Erroneous_Data_Reporting:

Size: 1 octet

Value	Parameter Description
0x00	Erroneous data reporting disabled
0x01	Erroneous data reporting enabled.
All other values	Reserved for future use

6.26 CLASS OF DEVICE

The Class_Of_Device parameter is used to indicate the capabilities of the local device to other devices.

Class_Of_Device:

Size: 3 octets

Value	Parameter Description
0xXXXXXX	Class of Device for the device.

6.27 SUPPORTED COMMANDS

The Supported_Commands configuration parameter lists which HCI commands the local Controller supports.

The Supported_Commands is a 64 octet bit field. If a bit is set to 1, then this command is supported.

Supported_Commands:

Size: 64 octets

Octet	Bit	Command Supported
0	0	HCI_Inquiry
	1	HCI_Inquiry_Cancel
	2	HCI_Periodic_Inquiry_Mode
	3	HCI_Exit_Periodic_Inquiry_Mode
	4	HCI_Create_Connection
	5	HCI_Disconnect
	6	Previously used
	7	HCI_Create_Connection_Cancel



Octet	Bit	Command Supported
1	0	HCI_Accept_Connection_Request
	1	HCI_Reject_Connection_Request
	2	HCI_Link_Key_Request_Reply
	3	HCI_Link_Key_Request_Negative_Reply
	4	HCI_PIN_Code_Request_Reply
	5	HCI_PIN_Code_Request_Negative_Reply
	6	HCI_Change_Connection_Packet_Type
	7	HCI_Authentication_Requested
2	0	HCI_Set_Connection_Encryption
	1	HCI_Change_Connection_Link_Key
	2	HCI_Link_Key_Selection
	3	HCI_Remote_Name_Request
	4	HCI_Remote_Name_Request_Cancel
	5	HCI_Read_Remote_Supported_Features
	6	HCI_Read_Remote_Extended_Features
	7	HCI_Read_Remote_Version_Information
3	0	HCI_Read_Clock_Offset
	1	HCI_Read_LMP_Handle
	2	Reserved for future use
	3	Reserved for future use
	4	Reserved for future use
	5	Reserved for future use
	6	Reserved for future use
	7	Reserved for future use
4	0	Reserved for future use
	1	HCI_Hold_Mode
	2	HCI_Sniff_Mode
	3	HCI_Exit_Sniff_Mode
	4	Previously used
	5	Previously used
	6	HCI_QoS_Setup
	7	HCI_Role_Discovery



Octet	Bit	Command Supported
5	0	HCI_Switch_Role
	1	HCI_Read_Link_Policy_Settings
	2	HCI_Write_Link_Policy_Settings
	3	HCI_Read_Default_Link_Policy_Settings
	4	HCI_Write_Default_Link_Policy_Settings
	5	HCI_Flow_Specification
	6	HCI_Set_Event_Mask
	7	HCI_Reset
6	0	HCI_Set_Event_Filter
	1	HCI_Flush
	2	HCI_Read_PIN_Type
	3	HCI_Write_PIN_Type
	4	Previously used
	5	HCI_Read_Stored_Link_Key
	6	HCI_Write_Stored_Link_Key
	7	HCI_Delete_Stored_Link_Key
7	0	HCI_Write_Local_Name
	1	HCI_Read_Local_Name
	2	HCI_Read_Connection_Accept_Timeout
	3	HCI_Write_Connection_Accept_Timeout
	4	HCI_Read_Page_Timeout
	5	HCI_Write_Page_Timeout
	6	HCI_Read_Scan_Enable
	7	HCI_Write_Scan_Enable
8	0	HCI_Read_Page_Scan_Activity
	1	HCI_Write_Page_Scan_Activity
	2	HCI_Read_Inquiry_Scan_Activity
	3	HCI_Write_Inquiry_Scan_Activity
	4	HCI_Read_Authentication_Enable
	5	HCI_Write_Authentication_Enable
	6	Previously used
	7	Previously used



Octet	Bit	Command Supported
9	0	HCI_Read_Class_Of_Device
	1	HCI_Write_Class_Of_Device
	2	HCI_Read_Voice_Setting
	3	HCI_Write_Voice_Setting
	4	HCI_Read_Automatic_Flush_Timeout
	5	HCI_Write_Automatic_Flush_Timeout
	6	HCI_Read_Num_Broadcast_Retransmissions
	7	HCI_Write_Num_Broadcast_Retransmissions
10	0	HCI_Read_Hold_Mode_Activity
	1	HCI_Write_Hold_Mode_Activity
	2	HCI_Read_Transmit_Power_Level
	3	HCI_Read_Synchronous_Flow_Control_Enable
	4	HCI_Write_Synchronous_Flow_Control_Enable
	5	HCI_Set_Controller_To_Host_Flow_Control
	6	HCI_Host_Buffer_Size
	7	HCI_Host_Number_Of_Completed_Packets
11	0	HCI_Read_Link_Supervision_Timeout
	1	HCI_Write_Link_Supervision_Timeout
	2	HCI_Read_Number_Of_Supported_IAC
	3	HCI_Read_Current_IAC_LAP
	4	HCI_Write_Current_IAC_LAP
	5	Previously used
	6	Previously used
	7	Previously used
12	0	Previously used
	1	HCI_Set_AFH_Host_Channel_Classification
	2	Reserved for future use
	3	Reserved for future use
	4	HCI_Read_Inquiry_Scan_Type
	5	HCI_Write_Inquiry_Scan_Type
	6	HCI_Read_Inquiry_Mode
	7	HCI_Write_Inquiry_Mode



Octet	Bit	Command Supported
13	0	HCI_Read_Page_Scan_Type
	1	HCI_Write_Page_Scan_Type
	2	HCI_Read_AFH_Channel_Assessment_Mode
	3	HCI_Write_AFH_Channel_Assessment_Mode
	4	Reserved for future use
	5	Reserved for future use
	6	Reserved for future use
	7	Reserved for future use
14	0	Reserved for future use
	1	Reserved for future use
	2	Reserved for future use
	3	HCI_Read_Local_Version_Information
	4	Reserved for future use
	5	HCI_Read_Local_Supported_Features
	6	HCI_Read_Local_Extended_Features
	7	HCI_Read_Buffer_Size
15	0	Previously used
	1	HCI_Read_BD_ADDR
	2	HCI_Read_Failed_Contact_Counter
	3	HCI_Reset_Failed_Contact_Counter
	4	HCI_Read_Link_Quality
	5	HCI_Read_RSSI
	6	HCI_Read_AFH_Channel_Map
	7	HCI_Read_Clock
16	0	HCI_Read_Loopback_Mode
	1	HCI_Write_Loopback_Mode
	2	HCI_Enable_Device_Under_Test_Mode
	3	HCI_Setup_Synchronous_Connection_Request
	4	HCI_Accept_Synchronous_Connection_Request
	5	HCI_Reject_Synchronous_Connection_Request
	6	Reserved for future use
	7	Reserved for future use



Octet	Bit	Command Supported
17	0	HCI_Read_Extended_Inquiry_Response
	1	HCI_Write_Extended_Inquiry_Response
	2	HCI_Refresh_Encryption_Key
	3	Reserved for future use
	4	HCI_Sniff_Subrating
	5	HCI_Read_Simple_Pairing_Mode
	6	HCI_Write_Simple_Pairing_Mode
	7	HCI_Read_Local_OOB_Data
18	0	HCI_Read_Inquiry_Response_Transmit_Power_Level
	1	HCI_Write_Inquiry_Transmit_Power_Level
	2	HCI_Read_Default_Erroneous_Data_Reporting
	3	HCI_Write_Default_Erroneous_Data_Reporting
	4	Reserved for future use
	5	Reserved for future use
	6	Reserved for future use
	7	HCI_IO_Capability_Request_Reply
19	0	HCI_User_Confirmation_Request_Reply
	1	HCI_User_Confirmation_Request_Negative_Reply
	2	HCI_User_Passkey_Request_Reply
	3	HCI_User_Passkey_Request_Negative_Reply
	4	HCI_Remote_OOB_Data_Request_Reply
	5	HCI_Write_Simple_Pairing_Debug_Mode
	6	HCI_Enhanced_Flush
	7	HCI_Remote_OOB_Data_Request_Negative_Reply
20	0	Reserved for future use
	1	Reserved for future use
	2	HCI_Send_Keypress_Notification
	3	HCI_IO_Capability_Request_Negative_Reply
	4	HCI_Read_Encryption_Key_Size
	5	Reserved for future use
	6	Reserved for future use
	7	Reserved for future use



Octet	Bit	Command Supported
21	0	Previously used
	1	Previously used
	2	Previously used
	3	Previously used
	4	Previously used
	5	Previously used
	6	Previously used
	7	Previously used
22	0	Previously used
	1	Previously used
	2	HCI_Set_Event_Mask_Page_2
	3	Previously used
	4	Previously used
	5	Previously used
	6	Previously used
	7	Previously used
23	0	HCI_Read_Flow_Control_Mode
	1	HCI_Write_Flow_Control_Mode
	2	HCI_Read_Data_Block_Size
	3	Reserved for future use
	4	Reserved for future use
	5	Previously used
	6	Previously used
	7	Previously used
24	0	HCI_Read_Enhanced_Transmit_Power_Level
	1	Reserved for future use
	2	Previously used
	3	Previously used
	4	Previously used
	5	HCI_Read_LE_Host_Support
	6	HCI_Write_LE_Host_Support
	7	Reserved for future use



Octet	Bit	Command Supported
25	0	HCI_LE_Set_Event_Mask
	1	HCI_LE_Read_Buffer_Size [v1]
	2	HCI_LE_Read_Local_Supported_Features
	3	Reserved for future use
	4	HCI_LE_Set_Random_Address
	5	HCI_LE_Set_Advertising_Parameters
	6	HCI_LE_Read_Advertising_Physical_Channel_Tx_Power
	7	HCI_LE_Set_Advertising_Data
26	0	HCI_LE_Set_Scan_Response_Data
	1	HCI_LE_Set_Advertising_Enable
	2	HCI_LE_Set_Scan_Parameters
	3	HCI_LE_Set_Scan_Enable
	4	HCI_LE_Create_Connection
	5	HCI_LE_Create_Connection_Cancel
	6	HCI_LE_Read_Filter_Accept_List_Size
	7	HCI_LE_Clear_Filter_Accept_List
27	0	HCI_LE_Add_Device_To_Filter_Accept_List
	1	HCI_LE_Remove_Device_From_Filter_Accept_List
	2	HCI_LE_Connection_Update
	3	HCI_LE_Set_Host_Channel_Classification
	4	HCI_LE_Read_Channel_Map
	5	HCI_LE_Read_Remote_Features
	6	HCI_LE_Encrypt
	7	HCI_LE_Rand
28	0	HCI_LE_Enable_Encryption
	1	HCI_LE_Long_Term_Key_Request_Reply
	2	HCI_LE_Long_Term_Key_Request_Negative_Reply
	3	HCI_LE_Read_Supported_States
	4	HCI_LE_Receiver_Test [v1]
	5	HCI_LE_Transmitter_Test [v1]
	6	HCI_LE_Test_End
	7	Reserved for future use



Octet	Bit	Command Supported
29	0	Reserved for future use
	1	Reserved for future use
	2	Reserved for future use
	3	HCI_Enhanced_Setup_Synchronous_Connection
	4	HCI_Enhanced_Accept_Synchronous_Connection
	5	HCI_Read_Local_Supported_Codecs
	6	HCI_Set_MWS_Channel_Parameters
	7	HCI_Set_External_Frame_Configuration
30	0	HCI_Set_MWS_Signaling
	1	HCI_Set_MWS_Transport_Layer
	2	HCI_Set_MWS_Scan_Frequency_Table
	3	HCI_Get_MWS_Transport_Layer_Configuration
	4	HCI_Set_MWS_PATTERN_Configuration
	5	HCI_Set_Triggered_Clock_Capture
	6	HCI_Truncated_Page
	7	HCI_Truncated_Page_Cancel
31	0	HCI_Set_Connectionless_Peripheral_Broadcast
	1	HCI_Set_Connectionless_Peripheral_Broadcast_Receive
	2	HCI_Start_Synchronization_Train
	3	HCI_Receive_Synchronization_Train
	4	HCI_Set_Reserved_LT_ADDR
	5	HCI_Delete_Reserved_LT_ADDR
	6	HCI_Set_Connectionless_Peripheral_Broadcast_Data
	7	HCI_Read_Synchronization_Train_Parameters
32	0	HCI_Write_Synchronization_Train_Parameters
	1	HCI_Remote_OOB_Extended_Data_Request_Reply
	2	HCI_Read_Secure_Connections_Host_Support
	3	HCI_Write_Secure_Connections_Host_Support
	4	HCI_Read_Authenticated_Payload_Timeout
	5	HCI_Write_Authenticated_Payload_Timeout
	6	HCI_Read_Local_OOB_Extended_Data
	7	HCI_Write_Secure_Connections_Test_Mode



Octet	Bit	Command Supported
33	0	HCI_Read_Extended_Page_Timeout
	1	HCI_Write_Extended_Page_Timeout
	2	HCI_Read_Extended_Inquiry_Length
	3	HCI_Write_Extended_Inquiry_Length
	4	HCI_LE_Remote_Connection_Parameter_Request_Reply
	5	HCI_LE_Remote_Connection_Parameter_Request_Negative_Reply
	6	HCI_LE_Set_Data_Length
	7	HCI_LE_Read_Suggested_Default_Data_Length
34	0	HCI_LE_Write_Suggested_Default_Data_Length
	1	HCI_LE_Read_Local_P-256_Public_Key
	2	HCI_LE_Generate_DHKey [v1]
	3	HCI_LE_Add_Device_To_Resolving_List
	4	HCI_LE_Remove_Device_From_Resolving_List
	5	HCI_LE_Clear_Resolving_List
	6	HCI_LE_Read_Resolving_List_Size
	7	HCI_LE_Read_Peer_Resolvable_Address
35	0	HCI_LE_Read_Local_Resolvable_Address
	1	HCI_LE_Set_Address_Resolution_Enable
	2	HCI_LE_Set_Resolvable_Private_Address_Timeout
	3	HCI_LE_Read_Maximum_Data_Length
	4	HCI_LE_Read_PH
	5	HCI_LE_Set_Default_PHY
	6	HCI_LE_Set_PHY
	7	HCI_LE_Receiver_Test [v2]
36	0	HCI_LE_Transmitter_Test [v2]
	1	HCI_LE_Set_Advertising_Set_Random_Address
	2	HCI_LE_Set_Extended_Advertising_Parameters [v1]
	3	HCI_LE_Set_Extended_Advertising_Data
	4	HCI_LE_Set_Extended_Scan_Response_Data
	5	HCI_LE_Set_Extended_Advertising_Enable
	6	HCI_LE_Read_Maximum_Advertising_Data_Length
	7	HCI_LE_Read_Number_of_Supported_Advertising_Sets



Octet	Bit	Command Supported
37	0	HCI_LE_Remove_Advertising_Set
	1	HCI_LE_Clear_Advertising_Sets
	2	HCI_LE_Set_Periodic_Advertising_Parameters
	3	HCI_LE_Set_Periodic_Advertising_Data
	4	HCI_LE_Set_Periodic_Advertising_Enable
	5	HCI_LE_Set_Extended_Scan_Parameters
	6	HCI_LE_Set_Extended_Scan_Enable
	7	HCI_LE_Extended_Create_Connection
38	0	HCI_LE_Periodic_Advertising_Create_Sync
	1	HCI_LE_Periodic_Advertising_Create_Sync_Cancel
	2	HCI_LE_Periodic_Advertising_Terminate_Sync
	3	HCI_LE_Add_Device_To_Periodic_Advertiser_List
	4	HCI_LE_Remove_Device_From_Periodic_Advertiser_List
	5	HCI_LE_Clear_Periodic_Advertiser_List
	6	HCI_LE_Read_Periodic_Advertiser_List_Size
	7	HCI_LE_Read_Transmit_Power
39	0	HCI_LE_Read_RF_Path_Compensation
	1	HCI_LE_Write_RF_Path_Compensation
	2	HCI_LE_Set_Privacy_Mode
	3	HCI_LE_Receiver_Test [v3]
	4	HCI_LE_Transmitter_Test [v3]
	5	HCI_LE_Set_Connectionless_CTE_Transmit_Parameters
	6	HCI_LE_Set_Connectionless_CTE_Transmit_Enable
	7	HCI_LE_Set_Connectionless_IQ_Sampling_Enable
40	0	HCI_LE_Set_Connection_CTE_Receive_Parameters
	1	HCI_LE_Set_Connection_CTE_Transmit_Parameters
	2	HCI_LE_Connection_CTE_Request_Enable
	3	HCI_LE_Connection_CTE_Response_Enable
	4	HCI_LE_Read_Antenna_Information
	5	HCI_LE_Set_Periodic_Advertising_Receive_Enable
	6	HCI_LE_Periodic_Advertising_Sync_Transfer
	7	HCI_LE_Periodic_Advertising_Set_Info_Transfer



Octet	Bit	Command Supported
41	0	HCI_LE_Set_Periodic_Advertising_Sync_Transfer_Parameters
	1	HCI_LE_Set_Default_Periodic_Advertising_Sync_Transfer_Parameters
	2	HCI_LE_Generate_DHKey [v2]
	3	HCI_Read_Local_Simple_Pairing_Options
	4	HCI_LE_Modify_Sleep_Clock_Accuracy
	5	HCI_LE_Read_Buffer_Size [v2]
	6	HCI_LE_Read_ISO_TX_Sync
	7	HCI_LE_Set_CIG_Parameters
42	0	HCI_LE_Set_CIG_Parameters_Test
	1	HCI_LE_Create_CIS
	2	HCI_LE_Remove_CIG
	3	HCI_LE_Accept_CIS_Request
	4	HCI_LE_Reject_CIS_Request
	5	HCI_LE_Create_BIG
	6	HCI_LE_Create_BIG_Test
	7	HCI_LE_Terminate_BIG
43	0	HCI_LE_BIG_Create_Sync
	1	HCI_LE_BIG_Terminate_Sync
	2	HCI_LE_Request_Peer_SCA
	3	HCI_LE_Setup_ISO_Data_Path
	4	HCI_LE_Remove_ISO_Data_Path
	5	HCI_LE_ISO_Transmit_Test
	6	HCI_LE_ISO_Receive_Test
	7	HCI_LE_ISO_Read_Test_Counters
44	0	HCI_LE_ISO_Test_End
	1	HCI_LE_Set_Host_Feature
	2	HCI_LE_Read_ISO_Link_Quality
	3	HCI_LE_Enhanced_Read_Transmit_Power_Level
	4	HCI_LE_Read_Remote_Transmit_Power_Level
	5	HCI_LE_Set_Path_Loss_Reporting_Parameters
	6	HCI_LE_Set_Path_Loss_Reporting_Enable
	7	HCI_LE_Set_Transmit_Power_Reporting_Enable



Octet	Bit	Command Supported
45	0	HCI_LE_Transmitter_Test [v4]
	1	HCI_Set_Ecosystem_Base_Interval
	2	HCI_Read_Local_Supported_Codecs [v2]
	3	HCI_Read_Local_Supported_Codec_Capabilities
	4	HCI_Read_Local_Supported_Controller_Delay
	5	HCI_Configure_Data_Path
	6	HCI_LE_Set_Data_Related_Address_Changes
	7	HCI_Set_Min_Encryption_Key_Size
46	0	HCI_LE_Set_Default_Subrate command
	1	HCI_LE_Subrate_Request command
	2	HCI_LE_Set_Extended_Advertising_Parameters [v2]
	3	Reserved for future use
	4	Reserved for future use
	5	HCI_LE_Set_Periodic_Advertising_Subevent_Data
	6	HCI_LE_Set_Periodic_Advertising_Response_Data
	7	HCI_LE_Set_Periodic_Sync_Subevent
47	0	HCI_LE_Extended_Create_Connection [v2]
	1	HCI_LE_Set_Periodic_Advertising_Parameters [v2]
All other octets		Reserved for future use

6.28 [THIS SECTION IS NO LONGER USED]

6.29 [THIS SECTION IS NO LONGER USED]

6.30 [THIS SECTION IS NO LONGER USED]

6.31 [THIS SECTION IS NO LONGER USED]

6.32 [THIS SECTION IS NO LONGER USED]

6.33 FLOW CONTROL MODE

The Flow_Control_Mode configuration parameter allows the Host to select the HCI Data flow control mode used by the Controller for ACL Data traffic other than LE traffic, which shall always use packet-based data flow control mode.

*Flow_Control_Mode:**Size: 1 octet*

Value	Parameter Description
0x00	Packet based data flow control mode (default)
0x01	Data block based data flow control mode
All other values	Reserved for future use

6.34 LE SUPPORTED HOST

The *LE_Supported_Host* parameter allows the Host to read and set the Link Manager Protocol feature bit LE Supported (Host). See [\[Vol 2\] Part C, Section 3.2](#).

*LE_Supported_Host:**Size: 1 octet*

Value	Parameter Description
0x00	LE Supported (Host) disabled (default)
0x01	LE Supported (Host) enabled
All other values	Reserved for future use

6.35 [THIS SECTION IS NO LONGER USED]

6.36 SYNC TRAIN INTERVAL

The *Sync_Train_Interval* configuration parameter defines the time between Synchronization Train transmit events on a single transmit RF channel.

*Sync_Train_Interval:**Size: 2 octets*

Value	Parameter Description
N = 0xXXXX	Range: 0x0020 to 0xFFFFE; only even values are valid Default: 0x0080 Mandatory Range: 0x0020 to 0x1000 Time = N × 0.625 ms Time Range: 20 ms to 40.9 s Time Default: 80 ms

6.37 SYNC TRAIN TIMEOUT

The *Sync_Train_Timeout* configuration parameter is used by the Controller to terminate the Synchronization Train after it has been started via the *HCI_Start_Synchronization_Train* command.



Sync_Train_Timeout:

Size: 4 octets

Value	Parameter Description
N = 0XXXXXXXX	Range: 0x00000002 to 0x07FFFFFFE; only even values are valid Default: 0x0002EE00 Time = N × 0.625 ms Time Range: 1.25 ms to 23.3 hours Time Default: 120 s

6.38 SERVICE DATA

The *Service_Data* configuration parameter defines the value of the service data field in the Synchronization Train.

Service_Data:

Size: 1 octet

Value	Parameter Description
0xXX	Range: 0x00 to 0xFF Default: 0x00

6.39 SECURE CONNECTIONS HOST SUPPORT

The *Secure_Connections_Host_Support* configuration parameter allows the Host to indicate whether it supports Secure Connections or not. When Secure Connections Host Support is set to 'enabled' the Controller shall use the enhanced reporting mechanisms for the *Encryption_Enabled* parameter in the *HCI_Encryption_Change* event (see [Section 7.7.8](#)) and the *Key_Type* parameter in the *HCI_Link_Key_Notification* event (see [Section 7.7.24](#)).

Secure_Connections_Host_Support:

Size: 1 octet

Value	Parameter Description
0x00	<i>Secure_Connections_Host_Support</i> is 'disabled'. Host does not support Secure Connections (default)
0x01	<i>Secure_Connections_Host_Support</i> is 'enabled'. Host supports Secure Connections
All other values	Reserved for future use

6.40 AUTHENTICATED PAYLOAD TIMEOUT

The *Authenticated_Payload_Timeout* configuration parameter allows the Host to configure the maximum interval between packets containing a MIC received from the remote device when AES-CCM encryption is enabled.



Authenticated_Payload_Timeout:

Size: 2 octets

Value	Parameter Description
N = 0xXXXX	Maximum amount of time specified between packets authenticated by a MIC. Range: 0x0001 to 0xFFFF Time = N × 10 ms Time Range: 10 ms to 655,350 ms

6.41 EXTENDED PAGE TIMEOUT

The *Extended_Page_Timeout* configuration parameter together with *Page_Timeout* defines the maximum time the local Link Manager will wait for a Baseband page response from the remote device at a locally initiated connection attempt. If this time expires and the remote device has not responded to the page at Baseband level, the connection attempt will be considered to have failed.

Extended_Page_Timeout:

Size: 2 octets

Value	Parameter Description
N = 0xXXXX	Range: 0x0000 to 0xFFFF Default: 0x0000 Time = N × 0.625 ms Time Range: 0 to 40.9 s Time Default: 0 s

6.42 EXTENDED INQUIRY LENGTH

The *Extended_Inquiry_Length* configuration parameter together with *Inquiry_Length* defines the maximum time the local Link Manager will wait for a Baseband inquiry response messages from the remote device at a locally initiated inquiry or periodic inquiry.

Extended_Inquiry_Length:

Size: 2 octets

Value	Parameter Description
N = 0xXXXX	Range: 0x0000 to 0xFFFF Default: 0x0000 Time = N × 0.625 ms Time Range: 0 to 40.9 s Time Default: 0 s



7 HCI COMMANDS AND EVENTS

7.1 LINK CONTROL COMMANDS

The Link Control commands allow a Controller to control connections to other BR/EDR Controllers. Some Link Control commands are used only with a BR/EDR Controller whereas other Link Control commands are also used with an LE Controller.

In the BR/EDR Controller, when the Link Control commands are used, the Link Manager (LM) controls how the Bluetooth piconets and scatternets are established and maintained. These commands instruct the LM to create and modify Link Layer connections with Bluetooth remote devices, perform Inquiries of other BR/EDR Controllers in range, and other LMP commands.

In the LE Controller, Link Control commands are used to disconnect physical links.

For the Link Control commands, the OGF is defined as 0x01.

7.1.1 Inquiry command

Command	OCF	Command Parameters	Return Parameters
HCI_Inquiry	0x0001	LAP, Inquiry_Length, Num_Responses	<i>none</i>

Description:

This command causes the BR/EDR Controller to enter Inquiry Mode. Inquiry Mode is used to discover other nearby BR/EDR Controllers. The LAP input parameter contains the LAP from which the inquiry access code shall be derived when the inquiry procedure is made. The Inquiry_Length parameter, added to Extended_Inquiry_Length (see [Section 6.42](#)), specifies the total duration of the Inquiry Mode and, when this time expires, Inquiry will be halted. The Num_Responses parameter specifies the number of responses that can be received before the Inquiry is halted. HCI_Inquiry_Result, HCI_Inquiry_Result_with_RSSI, or HCI_Extended_Inquiry_Result events will be sent to report the details of nearby BR/EDR Controllers that have responded to this inquiry. The HCI_Inquiry_Complete event is sent to report that Inquiry Mode has ended.

A device which responds during an inquiry or inquiry period should always be reported to the Host in an HCI_Inquiry_Result, HCI_Inquiry_Result_with_RSSI, or HCI_Extended_Inquiry_Result event if the device has not been reported earlier during the current inquiry or inquiry period and the device has



not been filtered out using the command HCI_Set_Event_Filter. If the device has been reported earlier during the current inquiry or inquiry period, whether it is reported again will depend on the implementation (e.g. whether earlier results have been saved in the BR/EDR Controller and in that case how many responses have been saved). It is recommended that the BR/EDR Controller tries to report a particular device only once during an inquiry or inquiry period.

Command parameters:

LAP: *Size: 3 octets*

Value	Parameter Description
0xXXXXXX	The LAP from which the inquiry access code should be derived when the inquiry procedure is made; see Assigned Numbers . Range: 0x9E8B00 to 0x9E8B3F

Inquiry_Length: *Size: 1 octet*

Value	Parameter Description
N = 0xXX	Maximum amount of time (added to Extended_Inquiry_Length) specified before the Inquiry is halted. Range: 0x01 to 0x30 Time = N × 1.28 s Range: 1.28 to 61.44 s

Num_Responses: *Size: 1 octet*

Value	Parameter Description
0x00	Unlimited number of responses.
0xXX	Maximum number of responses from the Inquiry before the Inquiry is halted. Range: 0x01 to 0xFF

Return parameters:

None.

Event(s) generated (unless masked away):

An HCI_Command_Status event shall be sent from the BR/EDR Controller to the Host when the BR/EDR Controller has started the Inquiry process. Unless filtered, an HCI_Inquiry_Result, HCI_Inquiry_Result_with_RSSI, or HCI_Extended_Inquiry_Result event shall be created for each BR/EDR Controller which responds to the Inquiry message. In addition, multiple BR/EDR Controllers which respond to the Inquire message may be combined into the same event. An HCI_Inquiry_Complete event shall be generated when the Inquiry process has completed.



7.1.2 Inquiry Cancel command

Command	OCF	Command Parameters	Return Parameters
HCI_Inquiry_Cancel	0x0002	none	Status

Description:

This command shall cause the BR/EDR Controller to stop the current Inquiry if the BR/EDR Controller is in Inquiry Mode. This command allows the Host to interrupt the BR/EDR Controller and request the BR/EDR Controller to perform a different task. The command should only be issued after the HCI_Inquiry command has been issued, an HCI_Command_Status event has been received for the Inquiry command, and before the HCI_Inquiry_Complete event occurs.

Command parameters:

None.

Return parameters:

Status:

Size: 1 octet

Value	Parameter Description
0x00	HCI_Inquiry_Cancel command succeeded.
0x01 to 0xFF	HCI_Inquiry_Cancel command failed. See [Vol 1] Part F, Controller Error Codes for a list of error codes and descriptions.

Event(s) generated (unless masked away):

When the HCI_Inquiry_Cancel command has completed, an HCI_Command_Complete event shall be generated. No HCI_Inquiry_Complete event will be generated for the cancelled Inquiry process.



7.1.3 Periodic Inquiry Mode command

Command	OCF	Command Parameters	Return Parameters
HCI_Periodic_Inquiry_Mode	0x0003	Max_Period_Length, Min_Period_Length, LAP, Inquiry_Length, Num_Responses	Status

Description:

The HCI_Periodic_Inquiry_Mode command is used to configure the BR/EDR Controller to enter the Periodic Inquiry Mode that performs an automatic Inquiry. Max_Period_Length and Min_Period_Length define the time range between two consecutive inquiries, from the beginning of an inquiry until the start of the next inquiry. The BR/EDR Controller shall use this range to determine a new random time between two consecutive inquiries for each Inquiry. The LAP input parameter contains the LAP from which the inquiry access code shall be derived when the inquiry procedure is made. The Inquiry_Length parameter, added to Extended_Inquiry_Length (see [Section 6.42](#)), specifies the total duration of the Inquiry Mode and, when time expires, Inquiry will be halted. The Num_Responses parameter specifies the number of responses that can be received before the Inquiry is halted. This command is completed when the Inquiry process has been started by the BR/EDR Controller, and an HCI_Command_Complete event is sent from the Controller to the Host. When each of the periodic Inquiry processes are completed, the Controller will send an HCI_Inquiry_Complete event to the Host indicating that the latest periodic Inquiry process has finished. When a BR/EDR Controller responds to the Inquiry message, an HCI_Inquiry_Result, HCI_Inquiry_Result_with_RSSI, or HCI_Extended_Inquiry_Result event will occur to notify the Host of the discovery.

Max_Period_Length shall be greater than Min_Period_Length. Min_Period_Length shall be greater than (Inquiry_Length + Extended_Inquiry_Length).

A device which responds during an inquiry or inquiry period should always be reported to the Host in an HCI_Inquiry_Result, HCI_Inquiry_Result_with_RSSI, or HCI_Extended_Inquiry_Result event if the device has not been reported earlier during the current inquiry or inquiry period and the device has not been filtered out using the command HCI_Set_Event_Filter. If the device has been reported earlier during the current inquiry or inquiry period, whether it is reported again will depend on the implementation (e.g. whether earlier results have been saved in the BR/EDR Controller and in that case how many responses have been saved). It is recommended that the BR/EDR Controller tries to report a particular device only once during an inquiry or inquiry period.



Command parameters:

Max_Period_Length:

Size: 2 octets

Value	Parameter Description
N = 0xXXXX	Maximum amount of time specified between consecutive inquiries. Range: 0x0003 to 0xFFFF Time = N × 1.28 s Range: 3.84 to 83884.8 s 0.0 to 23.3 hours

Min_Period_Length:

Size: 2 octets

Value	Parameter Description
N = 0xXXXX	Minimum amount of time specified between consecutive inquiries. Range: 0x0002 to 0xFFFE Time = N × 1.28 s Range: 2.56 to 83883.52 s 0.0 to 23.3 hours

LAP:

Size: 3 octets

Value	Parameter Description
0xXXXXXX	The LAP from which the inquiry access code should be derived when the inquiry procedure is made; see Assigned Numbers . Range: 0x9E8B00 to 0x9E8B3F

Inquiry_Length:

Size: 1 octet

Value	Parameter Description
N = 0xXX	Maximum amount of time (added to Extended_Inquiry_Length) specified before the Inquiry is halted. Range: 0x01 to 0x30 Time = N × 1.28 s Range: 1.28 to 61.44 s

Num_Responses:

Size: 1 octet

Value	Parameter Description
0x00	Unlimited number of responses.
0xXX	Maximum number of responses from the Inquiry before the Inquiry is halted. Range: 0x01 to 0xFF

**Return parameters:***Status:**Size: 1 octet*

Value	Parameter Description
0x00	HCI_Periodic_Inquiry_Mode command succeeded.
0x01 to 0xFF	HCI_Periodic_Inquiry_Mode command failed. See [Vol 1] Part F, Controller Error Codes for a list of error codes and descriptions.

Event(s) generated (unless masked away):

The HCI Periodic Inquiry Mode begins when the BR/EDR Controller sends the HCI_Command_Complete event for this command to the Host. Unless filtered, an HCI_Inquiry_Result, HCI_Inquiry_Result_with_RSSI, or HCI_Extended_Inquiry_Result event shall be created for each remote device that has responded to the Inquiry message. In addition, multiple BR/EDR Controllers which response to the Inquiry message may be combined into the same event. An HCI_Inquiry_Complete event shall be generated when each of the periodic Inquiry processes has completed. No HCI_Inquiry_Complete event will be generated for the cancelled Inquiry process.



7.1.4 Exit Periodic Inquiry Mode command

Command	OCF	Command Parameters	Return Parameters
HCI_Exit_Periodic_Inquiry_Mode	0x0004	none	Status

Description:

The HCI_Exit_Periodic_Inquiry_Mode command is used to end the Periodic Inquiry mode when the local device is in Periodic Inquiry Mode. If the BR/EDR Controller is currently in an Inquiry process, the Inquiry process shall be stopped directly and the BR/EDR Controller shall no longer perform periodic inquiries until the HCI_Periodic_Inquiry_Mode command is reissued.

Command parameters:

None.

Return parameters:

Status:

Size: 1 octet

Value	Parameter Description
0x00	HCI_Exit_Periodic_Inquiry_Mode command succeeded.
0x01 to 0xFF	HCI_Exit_Periodic_Inquiry_Mode command failed. See [Vol 1] Part F, Controller Error Codes for a list of error codes and descriptions.

Event(s) generated (unless masked away):

An HCI_Command_Complete event for this command shall occur when the local device is no longer in Periodic Inquiry Mode. No HCI_Inquiry_Complete event will be generated for the cancelled Inquiry process.



7.1.5 Create Connection command

Command	OCF	Command Parameters	Return Parameters
HCI_Create_Connection	0x0005	BD_ADDR, Packet_Type, Page_Scan_Repetition_Mode, Reserved, Clock_Offset, Allow_Role_Switch	<i>none</i>

Description:

This command causes the Link Manager to create a connection to the remote device with the BD_ADDR specified by the command parameters. This command causes the local BR/EDR Controller to begin the Page process to create a link level connection. The Link Manager will determine how the new ACL connection is established. This ACL connection is determined by the current state of the device, its piconet, and the state of the device to be connected. The Packet_Type command parameter specifies which packet types the Link Manager shall use for the ACL connection; the Host shall not specify packet types that the local Controller does not support. When sending HCI ACL Data packets the Link Manager shall only use the packet type(s) specified by the Packet_Type command parameter or the always-allowed DM1 packet type. Multiple packet types may be specified for the Packet Type parameter by performing a bit-wise OR operation of the different packet types. The Link Manager may choose which packet type to be used from the list of acceptable packet types. The Page_Scan_Repetition_Mode parameter specifies the Page Scan Repetition mode supported by the remote device with the BD_ADDR. This is the most recent version of the information that was acquired either during the inquiry process or from an HCI_Page_Scan_Repetition_Mode_Change event (see [Section 7.7.31](#)). The Clock_Offset parameter is the difference between its own clock and the clock of the remote device with BD_ADDR. Only bits 2 to 16 of the difference are used, and they are mapped to this parameter as bits 0 to 14 respectively. A Clock_Offset_Valid_Flag, located in bit 15 of the Clock_Offset parameter, is used to indicate if the Clock Offset is valid or not. A Connection_Handle for this connection is returned in the HCI_Connection_Complete event (see below). The Allow_Role_Switch parameter specifies if the local device accepts or rejects the request from the remote device to switch roles at connection setup (in the Role parameter of the HCI_Accept_Connection_Request command) (before the local Controller returns an HCI_Connection_Complete event). For a definition of the different packet types see [\[Vol 2\] Part B, Section 6.5](#).

Note: The Host should enable as many packet types as possible for the Link Manager to perform efficiently.



Command parameters:

BD_ADDR:

Size: 6 octets

Value	Parameter Description
0XXXXXXXXXXXXX	BD_ADDR of the Device to be connected.

Packet_Type:

Size: 2 octets

Bit Number	Parameter Description
1	2-DH1 shall not be used.
2	3-DH1 shall not be used.
3	Ignored; DM1 may be used whether or not this bit is set.
4	DH1 may be used.
8	2-DH3 shall not be used.
9	3-DH3 shall not be used.
10	DM3 may be used.
11	DH3 may be used.
12	2-DH5 shall not be used.
13	3-DH5 shall not be used.
14	DM5 may be used.
15	DH5 may be used.
All other bits	Reserved for future use.

Page_Scan_Repetition_Mode:

Size: 1 octet

Value	Parameter Description
0x00	R0
0x01	R1
0x02	R2
All other values	Reserved for future use.

Reserved:

Size: 1 octet

Value	Parameter Description
0x00	Reserved, shall be set to 0x00.



Clock_Offset:

Size: 2 octets

Bit Number	Parameter Description
0-14	Bits 16-2 of CLKNPeripheral - CLK
15	Clock_Offset_Valid_Flag Invalid Clock Offset = 0 Valid Clock Offset = 1

Allow_Role_Switch:

Size: 1 octet

Value	Parameter Description
0x00	The local device will be a Central, and will not accept a role switch requested by the remote device at the connection setup.
0x01	The local device may be a Central, or may become a Peripheral after accepting a role switch requested by the remote device at the connection setup.
All other values	Reserved for future use.

Return parameters:

None.

Event(s) generated (unless masked away):

When the BR/EDR Controller receives the HCI_Create_Connection command, the BR/EDR Controller shall send the HCI_Command_Status event to the Host. In addition, when the Link Manager determines the connection is established, the BR/EDR Controller, on both BR/EDR Controllers that form the connection, shall send an HCI_Connection_Complete event to each Host. The HCI_Connection_Complete event contains the Connection_Handle if this command is successful.



7.1.6 Disconnect command

Command	OCF	Command Parameters	Return Parameters
HCI_Disconnect	0x0006	Connection_Handle, Reason	none

Description:

The HCI_Disconnect command is used to terminate an existing connection. The Connection_Handle command parameter indicates which connection is to be disconnected. The Reason command parameter indicates the reason for ending the connection and is copied into the error code field of the LMP_DETACH PDU on a BR/EDR connection or the error code field of the LL_TERMINATE_IND or LL_CIS_TERMINATE_IND PDU on an LE connection. All SCO, eSCO, and CIS connections on a physical link should be disconnected before the ACL connection on the same physical connection is disconnected. If it does not, they will be implicitly disconnected as part of the ACL disconnection.

If, on the Central, the Host issues this command before issuing the HCI_LE_Create_CIS command for the same CIS (including if a previous CIS with the same CIS_ID in the same CIG has been terminated or considered lost), then the Controller shall return the error code *Command Disallowed* (0x0C).

If, on the Peripheral, the Host issues this command before the Controller has generated the HCI_LE_CIS_Established event for that CIS, then the Controller shall return the error code *Command Disallowed* (0x0C).

Note: As specified in [Section 7.7.5](#), on the Central, the handle for a CIS remains valid even after disconnection and, therefore, the Host can recreate a disconnected CIS at a later point in time using the same connection handle.

Command parameters:

Connection_Handle: *Size: 2 octets (12 bits meaningful)*

Value	Parameter Description
0xXXXX	Connection_Handle Range: 0x0000 to 0x0EFF

**Reason:****Size: 1 octet**

Value	Parameter Description
0x05, 0x13 to 0x15, 0x1A, 0x29, 0x3B	<i>Authentication Failure</i> error code (0x05), <i>Other End Terminated Connection</i> error codes (0x13 to 0x15), <i>Unsupported Remote Feature</i> error code (0x1A), <i>Pairing with Unit Key Not Supported</i> error code (0x29) and <i>Unacceptable Connection Parameters</i> error code (0x3B), see [Vol 1] Part F, Controller Error Codes for a list of error codes and descriptions.

Return parameters:

None.

Event(s) generated (unless masked away):

When the Controller receives the HCI_Disconnect command, it shall send the HCI_Command_Status event to the Host. The HCI_Disconnection_Complete event will occur at each Host when the termination of the connection has completed, and on the local Host also indicates that this command has been completed. The Reason event parameter in the event on the local Host shall be set to the value *Connection Terminated by Local Host* (0x16), while that on the remote Host shall be set to the value of the Reason command parameter. However, if the termination procedure completes because a timer expires and, therefore, the local Controller cannot determine whether or not the Reason command parameter was received by the remote Controller, the Reason event parameter on the local Host should instead be set to the value *LMP Response Timeout / LL Response Timeout* (0x22).

If this command is issued for a CIS on the Central and the CIS is successfully terminated before being established, then an HCI_LE_CIS_Established event shall also be sent for this CIS with the Status *Operation Cancelled by Host* (0x44).



7.1.7 Create Connection Cancel command

Command	OCF	Command Parameters	Return Parameters
HCI_Create_ - Connection_Cancel	0x0008	BD_ADDR	Status, BD_ADDR

Description:

This command is used to request cancellation of the ongoing connection creation process, which was started by an HCI_Create_Connection command of the local BR/EDR Controller.

Command parameters:

BD_ADDR: *Size: 6 octets*

Value	Parameter Description
0xFFFFFFFFXXXX	BD_ADDR of the HCI_Create_Connection command that was issued before and is the subject of this cancellation request.

Return parameters:

Status: *Size: 1 octet*

Value	Parameter Description
0x00	HCI_Create_Connection_Cancel command succeeded
0x01 to 0xFF	HCI_Create_Connection_Cancel command failed. See [Vol 1] Part F, Controller Error Codes for list of error codes

BD_ADDR: *Size: 6 octets*

Value	Parameter Description
0xFFFFFFFFXXXX	BD_ADDR of the HCI_Create_Connection command that was issued before and is the subject of this cancellation request.

Event(s) generated (unless masked away):

When the HCI_Create_Connection_Cancel command has completed, an HCI_Command_Complete event shall be generated.

If the connection is already established by the Baseband, but the BR/EDR Controller has not yet sent the HCI_Connection_Complete event, then the local device shall detach the link and return an HCI_Command_Complete event with the status “Success”.



If the connection is already established, and the HCI_Connection_Complete event has been sent, then the Controller shall return an HCI_Command_Complete event with the error code *Connection Already Exists* (0x0B).

If the HCI_Create_Connection_Cancel command is sent to the Controller without a preceding HCI_Create_Connection command to the same device, the BR/EDR Controller shall return an HCI_Command_Complete event with the error code *Unknown Connection Identifier* (0x02).

The HCI_Connection_Complete event for the corresponding HCI_Create_Connection command shall always be sent. The HCI_Connection_Complete event shall be sent after the HCI_Command_Complete event for the HCI_Create_Connection_Cancel command. If the cancellation was successful, the HCI_Connection_Complete event will be generated with the error code *Unknown Connection Identifier* (0x02).



7.1.8 Accept Connection Request command

Command	OCF	Command Parameters	Return Parameters
HCI_Accept_Connection_Request	0x0009	BD_ADDR, Role	none

Description:

The HCI_Accept_Connection_Request command is used to accept a new incoming connection request. The HCI_Accept_Connection_Request command shall only be issued after an HCI_Connection_Request event has occurred. The HCI_Connection_Request event will return the BD_ADDR of the device which is requesting the connection. This command will cause the Link Manager to create a connection to the BR/EDR Controller, with the BD_ADDR specified by the command parameters. The Link Manager will determine how the new connection will be established. This will be determined by the current state of the device, its piconet, and the state of the device to be connected. The Role command parameter allows the Host to specify if the Link Manager shall request a role switch and become the Central for this connection. This is a preference and not a requirement. If the Role Switch fails then the connection will still be accepted, and the HCI_Role_Discovery command will reflect the current role.

The Link Manager may terminate the connection if it would be low on resources if the role switch fails. The decision to accept a connection should be completed before the connection accept timeout expires on the local Bluetooth Module.

Note: When accepting a synchronous connection request, the Role parameter is not used and will be ignored by the BR/EDR Controller.

Note: See [Section 7.3.3](#) for the behavior when the HCI_Connection_Request event is masked or the connection is auto accepted.

Command parameters:

BD_ADDR:

Size: 6 octets

Value	Parameter Description
0XXXXXXXXXXXXX	BD_ADDR of the Device to be connected

**Role:****Size: 1 octet**

Value	Parameter Description
0x00	Become the Central for this connection. The LM will perform the role switch.
0x01	Remain the Peripheral for this connection. The LM will NOT perform the role switch.

Return parameters:

None.

Event(s) generated (unless masked away):

The HCI_Accept_Connection_Request command shall cause the HCI_Command_Status event to be sent from the BR/EDR Controller when the BR/EDR Controller begins setting up the connection. In addition, when the Link Manager determines the connection is established, the local BR/EDR Controller shall send an HCI_Connection_Complete event to its Host, and the remote Controller will send an HCI_Connection_Complete event or an HCI_Synchronous_Connection_Complete event to the Host. The HCI_Connection_Complete event contains the Connection_Handle if this command is successful.



7.1.9 Reject Connection Request command

Command	OCF	Command Parameters	Return Parameters
HCI_Reject_Connection_Request	0x000A	BD_ADDR, Reason	none

Description:

The HCI_Reject_Connection_Request command is used to decline a new incoming connection request. The HCI_Reject_Connection_Request command shall only be called after an HCI_Connection_Request event has occurred. The HCI_Connection_Request event will return the BD_ADDR of the device that is requesting the connection. The Reason command parameter will be returned to the connecting device in the Status parameter of the HCI_Connection_Complete event returned to the Host of the connection device, to indicate why the connection was declined.

Command parameters:

BD_ADDR:

Size: 6 octets

Value	Parameter Description
0xXXXXXXXXXXXX	BD_ADDR of the Device to reject the connection from.

Reason:

Size: 1 octet

Value	Parameter Description
0x0D to 0x0F	Host Reject error code. See [Vol 1] Part F, Controller Error Codes for list of error codes and descriptions.

Return parameters:

None.

Event(s) generated (unless masked away):

When the Controller receives the HCI_Reject_Connection_Request command, the Controller shall send the HCI_Command_Status event to the Host. Then, the local BR/EDR Controller will send an HCI_Connection_Complete event to its Host, and the remote device shall send an HCI_Connection_Complete event or an HCI_Synchronous_Connection_Complete event to the Host. The Status parameter of the HCI_Connection_Complete event, which is sent to the Host of the device attempting to make the connection, will contain the Reason command parameter from this command.



7.1.10 Link Key Request Reply command

Command	OCF	Command Parameters	Return Parameters
HCI_Link_Key_Request_Reply	0x000B	BD_ADDR, Link_Key	Status, BD_ADDR

Description:

The HCI_Link_Key_Request_Reply command is used to reply to an HCI_Link_Key_Request event from the Controller, and specifies the Link Key stored on the Host to be used as the link key for the connection with the other BR/EDR Controller specified by BD_ADDR. The HCI_Link_Key_Request event will be generated when the BR/EDR Controller needs a Link Key for a connection.

When the BR/EDR Controller generates an HCI_Link_Key_Request event in order for the local Link Manager to respond to the request from the remote Link Manager (as a result of an HCI_Create_Connection or HCI_Authentication_Requested command from the remote Host), the local Host shall respond with either an HCI_Link_Key_Request_Reply or HCI_Link_Key_Request_Negative_Reply command before the remote Link Manager detects LMP response timeout. (See [Vol 2] Part C, Link Manager Protocol Specification.)

When the BR/EDR Controller supports the Secure Connections (Controller Support) feature, it shall discard the Link Key once the connection has been disconnected.

Command parameters:

BD_ADDR: *Size: 6 octets*

Value	Parameter Description
0xXXXXXXXXXXXX	BD_ADDR of the Device of which the Link Key is for.

Link_Key: *Size: 16 octets*

Value	Parameter Description
0XXXXXXXXXXXX XXXXXXXXXXXX XXXXXXXXXXXX	Link Key for the associated BD_ADDR.

**Return parameters:***Status:**Size: 1 octet*

Value	Parameter Description
0x00	HCI_Link_Key_Request_Reply command succeeded.
0x01 to 0xFF	HCI_Link_Key_Request_Reply command failed. See [Vol 1] Part F, Controller Error Codes for error codes and descriptions.

*BD_ADDR:**Size: 6 octets*

Value	Parameter Description
0XXXXXXXXXXXXX	BD_ADDR of the Device of which the Link Key request reply has completed.

Event(s) generated (unless masked away):

When the HCI_Link_Key_Request_Reply command has completed, an HCI_Command_Complete event shall be generated.



7.1.11 Link Key Request Negative Reply command

Command	OCF	Command Parameters	Return Parameters
HCI_Link_Key_ - Request_Negative_ - Reply	0x000C	BD_ADDR	Status, BD_ADDR

Description:

The HCI_Link_Key_Request_Negative_Reply command is used to reply to an HCI_Link_Key_Request event from the BR/EDR Controller if the Host does not have a stored Link Key for the connection with the other BR/EDR Controller specified by BD_ADDR. The HCI_Link_Key_Request event will be generated when the BR/EDR Controller needs a Link Key for a connection.

When the Controller generates an HCI_Link_Key_Request event in order for the local Link Manager to respond to the request from the remote Link Manager (as a result of an HCI_Create_Connection or HCI_Authentication_Requested command from the remote Host), the local Host shall respond with either an HCI_Link_Key_Request_Reply or HCI_Link_Key_Request_Negative_Reply command before the remote Link Manager detects LMP response timeout. (See [Vol 2] Part C, Link Manager Protocol Specification.)

Command parameters:

BD_ADDR: *Size: 6 octets*

Value	Parameter Description
0xXXXXXXXXXXXX	BD_ADDR of the Device which the Link Key is for.

Return parameters:

Status: *Size: 1 octet*

Value	Parameter Description
0x00	HCI_Link_Key_Request_Negative_Reply command succeeded.
0x01 to 0xFF	HCI_Link_Key_Request_Negative_Reply command failed. See [Vol 1] Part F, Controller Error Codes for a list of error codes and descriptions.

BD_ADDR: *Size: 6 octets*

Value	Parameter Description
0xXXXXXXXXXXXX	BD_ADDR of the Device for which the HCI_Link_Key_Request_Negative_Reply command has completed.

**Event(s) generated (unless masked away):**

When the HCI_Link_Key_Request_Negative_Reply command has completed, an HCI_Command_Complete event shall be generated.



7.1.12 PIN Code Request Reply command

Command	OCF	Command Parameters	Return Parameters
HCI_PIN_Code_Request_Reply	0x000D	BD_ADDR, PIN_Code_Length, PIN_Code	Status, BD_ADDR

Description:

The HCI_PIN_Code_Request_Reply command is used to reply to an HCI_PIN_Code_Request event from the BR/EDR Controller, and specifies the PIN code to use for a connection. The HCI_PIN_Code_Request event will be generated when a connection with remote initiating device has requested pairing.

When the BR/EDR Controller generates an HCI_PIN_Code_Request event in order for the local Link Manager to respond to the request from the remote Link Manager (as a result of an HCI_Create_Connection or HCI_Authentication_Requested command from the remote Host), the local Host shall respond with either an HCI_PIN_Code_Request_Reply or HCI_PIN_Code_Request_Negative_Reply command before the remote Link Manager detects LMP response timeout. (See [Vol 2] Part C, Link Manager Protocol Specification.)

Command parameters:

BD_ADDR:

Size: 6 octets

Value	Parameter Description
0XXXXXXXXXXXXX	BD_ADDR of the Device which the PIN code is for.

PIN_Code_Length:

Size: 1 octet

Value	Parameter Description
0xXX	The PIN code length specifies the length, in octets, of the PIN code to be used. Range: 0x01 to 0x10

PIN_Code:

Size: 16 octets

Value	Parameter Description
0XXXXXXXXXXXXX XXXXXXXXXXXXX XXXXXXXXXXXXX	PIN code for the device that is to be connected. The Host should ensure that strong PIN Codes are used. PIN Codes can be up to a maximum of 128 bits. Note: The PIN_Code parameter is a string parameter. Endianness does therefore not apply to the PIN_Code parameter.



Return parameters:

Status:

Size: 1 octet

Value	Parameter Description
0x00	HCI_PIN_Code_Request_Reply command succeeded.
0x01 to 0xFF	HCI_PIN_Code_Request_Reply command failed. See [Vol 1] Part F, Controller Error Codes for a list of error codes and descriptions.

BD_ADDR:

Size: 6 octets

Value	Parameter Description
0XXXXXXXXXXXXX	BD_ADDR of the Device for which the HCI_PIN_Code_Request_Reply command has completed.

Event(s) generated (unless masked away):

When the HCI_PIN_Code_Request_Reply command has completed, an HCI_Command_Complete event shall be generated.



7.1.13 PIN Code Request Negative Reply command

Command	OCF	Command Parameters	Return Parameters
HCI_PIN_Code_Request_Negative_Reply	0x000E	BD_ADDR	Status, BD_ADDR

Description:

The HCI_PIN_Code_Request_Negative_Reply command is used to reply to a PIN Code request event from the BR/EDR Controller when the Host cannot specify a PIN code to use for a connection. This command will cause the pair request with remote device to fail.

When the BR/EDR Controller generates an HCI_PIN_Code_Request event in order for the local Link Manager to respond to the request from the remote Link Manager (as a result of an HCI_Create_Connection or HCI_Authentication_Requested command from the remote Host), the local Host shall respond with either an HCI_PIN_Code_Request_Reply or HCI_PIN_Code_Request_Negative_Reply command before the remote Link Manager detects LMP response timeout. (See [Vol 2] Part C, Link Manager Protocol Specification.)

Command parameters:

BD_ADDR: *Size: 6 octets*

Value	Parameter Description
0xXXXXXXXXXXXX	BD_ADDR of the Device which this command is responding to.

Return parameters:

Status: *Size: 1 octet*

Value	Parameter Description
0x00	HCI_PIN_Code_Request_Negative_Reply command succeeded.
0x01 to 0xFF	HCI_PIN_Code_Request_Negative_Reply command failed. See [Vol 1] Part F, Controller Error Codes for a list of error codes and descriptions.

BD_ADDR: *Size: 6 octets*

Value	Parameter Description
0xXXXXXXXXXXXX	BD_ADDR of the Device for which the HCI_PIN_Code_Request_Negative_Reply command has completed.

Event(s) generated (unless masked away):

When the HCI_PIN_Code_Request_Negative_Reply command has completed, an HCI_Command_Complete event shall be generated.



7.1.14 Change Connection Packet Type command

Command	OCF	Command Parameters	Return Parameters
HCI_Change_Connection_Packet_Type	0x000F	Connection_Handle, Packet_Type	none

Description:

The HCI_Change_Connection_Packet_Type command is used to change which packet types can be used for a connection that is currently established. This allows current connections to be dynamically modified to support different types of user data. The Packet_Type command parameter specifies which packet types the Link Manager can use for the connection; the Host shall not specify packet types that the local Controller does not support. When sending HCI ACL Data packets the Link Manager shall only use the packet type(s) specified by the Packet_Type command parameter or the always-allowed DM1 packet type. The interpretation of the value for the Packet_Type command parameter will depend on the Link_Type command parameter returned in the HCI_Connection_Complete event at the connection setup. Multiple packet types may be specified for the Packet_Type command parameter by bitwise OR operation of the different packet types. For a definition of the different packet types see [Vol 2] Part B, Section 6.5.

Note: The Host should enable as many packet types as possible for the Link Manager to perform efficiently.

Note: Use the HCI_Setup_Synchronous_Connection command to change an eSCO connection.

Command parameters:

Connection_Handle: *Size: 2 octets (12 bits meaningful)*

Value	Parameter Description
0xXXXX	Connection_Handle Range: 0x0000 to 0x0EFF



Packet_Type:

Size: 2 octets

For ACL Link_Type

Bit Number	Parameter Description
1	2-DH1 shall not be used.
2	3-DH1 shall not be used.
3	Ignored; DM1 may be used whether or not this bit is set.
4	DH1 may be used.
8	2-DH3 shall not be used.
9	3-DH3 shall not be used.
10	DM3 may be used.
11	DH3 may be used.
12	2-DH5 shall not be used.
13	3-DH5 shall not be used.
14	DM5 may be used.
15	DH5 may be used.
All other bits	Reserved for future use.

For SCO Link_Type

Bit Number	Parameter Description
5	HV1 may be used.
6	HV2 may be used.
7	HV3 may be used.
All other bits	Reserved for future use.

Return parameters:

None.

Event(s) generated (unless masked away):

When the BR/EDR Controller receives the HCI_Change_Connection_Packet_Type command, the Controller shall send the HCI_Command_Status event to the Host. In addition, when the Link Manager determines the packet type has been changed for the connection, the Controller on the local device will send an HCI_Connection_Packet_Type_Changed event to the Host. This will be done at the local side only.



7.1.15 Authentication Requested command

Command	OCF	Command Parameters	Return Parameters
HCI_Authentication_Requested	0x0011	Connection_Handle	none

Description:

The HCI_Authentication_Requested command is used to try to authenticate the remote device associated with the specified Connection_Handle. On an authentication failure, the BR/EDR Controller or Link Manager shall not automatically detach the link. The Host is responsible for issuing an HCI_Disconnect command to terminate the link if the action is appropriate.

The Controller shall always perform the authentication with the remote device even if the link has already been authenticated or the Controller already has a stored link key.

Note: The Connection_Handle command parameter is used to identify the other BR/EDR Controller which forms the connection. The Connection_Handle should be a Connection_Handle for an ACL connection. The authentication will apply to all Connection_Handles with the same remote BR/EDR Controller.

Command parameters:

Connection_Handle: *Size: 2 octets (12 bits meaningful)*

Value	Parameter Description
0xXXXX	Connection_Handle Range: 0x0000 to 0x0EFF

Return parameters:

None.

Event(s) generated (unless masked away):

When the Controller receives the HCI_Authentication_Requested command, it shall send the HCI_Command_Status event to the Host.

If Secure Simple Pairing Mode is enabled, the HCI_Link_Key_Request event shall be generated, and Secure Simple Pairing shall be started only if the Host replies to it with the HCI_Link_Key_Request_Negative_Reply command; if the Host replies to it with the HCI_Link_Key_Request_Reply command, only the authentication procedure (see [Vol 2] Part C, Section 4.2.1) shall be performed and no Secure Simple Pairing shall be started.



If Secure Simple Pairing Mode is not enabled, then the BR/EDR Controller may, but should not, use an existing stored link key. If authentication fails, the HCI_PIN_Code_Request event may be generated.

Using an existing stored link key when Secure Simple Pairing mode is disabled is discouraged because it does not offer the Host a method for enhancing the security of an existing link (e.g., in the case where a profile mandating a minimum passkey length is started over a link that is already authenticated with shorter passkey than the new service requires).

The HCI_Authentication_Complete event is generated when the authentication has been completed for the connection and is the indication that this command has been completed.



7.1.16 Set Connection Encryption command

Command	OCF	Command Parameters	Return Parameters
HCI_Set_Connection_Encryption	0x0013	Connection_Handle, Encryption_Enable	none

Description:

The HCI_Set_Connection_Encryption command is used to enable and disable the link level encryption. The Connection_Handle command parameter is used to identify the other BR/EDR Controller which forms the connection. The Connection_Handle should be a Connection_Handle for an ACL connection. The encryption setting will apply to all Connection_Handles with the same remote BR/EDR Controller. While the encryption is being changed, the Link Manager will suspend all ACL-U traffic on the connection.

If both devices support both the Secure Connections (Controller Support) and Secure Connections (Host Support) features, and Encryption_Enable is set to Turn Link Level Encryption OFF when encryption is currently enabled on the specified Connection_Handle, the Controller shall return the error code *Encryption Mode Not Acceptable* (0x25).

Command parameters:

Connection_Handle: *Size: 2 octets (12 bits meaningful)*

Value	Parameter Description
0xXXXX	Connection_Handle Range: 0x0000 to 0x0EFF

Encryption_Enable: *Size: 1 octet*

Value	Parameter Description
0x00	Turn Link Level Encryption OFF.
0x01	Turn Link Level Encryption ON.

Return parameters:

None.

Event(s) generated (unless masked away):

When the BR/EDR Controller receives the HCI_Set_Connection_Encryption command, the BR/EDR Controller shall send the HCI_Command_Status event to the Host. When the Link Manager has completed enabling/disabling encryption for the connection, the local BR/EDR Controller shall send an



HCI_Encryption_Change event to the Host, and the BR/EDR Controller on the remote device will also generate an HCI_Encryption_Change event.



7.1.17 Change Connection Link Key command

Command	OCF	Command Parameters	Return Parameters
HCI_Change_Connection_Link_Key	0x0015	Connection_Handle	none

Description:

The HCI_Change_Connection_Link_Key command is used to force both devices of a connection associated with the Connection_Handle to generate a new link key. The link key is used for authentication and encryption of connections.

Note: The Connection_Handle command parameter is used to identify the other BR/EDR Controller forming the connection. The Connection_Handle should be a Connection_Handle for an ACL connection.

Note: The resulting link key, generated as a result of HCI_Change_Connection_Link_Key command, will be of equal link key strength to the previously used link key.

Command parameters:

Connection_Handle: *Size: 2 octets (12 bits meaningful)*

Value	Parameter Description
0xXXXX	Connection_Handle Range: 0x0000 to 0x0EFF

Return parameters:

None.

Event(s) generated (unless masked away):

When the Controller receives the HCI_Change_Connection_Link_Key command, the BR/EDR Controller shall send the HCI_Command_Status event to the Host. When the Link Manager has changed the Link Key for the connection, the local BR/EDR Controller shall send an HCI_Link_Key_Notification event and an HCI_Change_Connection_Link_Key_Complete event to the Host, and the remote BR/EDR Controller will also generate an HCI_Link_Key_Notification event. The HCI_Link_Key_Notification event indicates that a new connection link key is valid for the connection.



7.1.18 Link Key Selection command

Command	OCF	Command Parameters	Return Parameters
HCI_Link_Key_Selection	0x0017	Key_Flag	none

Description:

The HCI_Link_Key_Selection command is used to force the device that is Central of the piconet to use the temporary link key or the semi-permanent link keys. The temporary link key is used for encryption of broadcast messages within a piconet, and the semi-permanent link keys are used for private encrypted point-to-point communication. The Key_Flag command parameter is used to indicate which Link Key (temporary link key or the semi-permanent link keys) shall be used.

The HCI_Link_Key_Selection command shall be rejected with error code *Command Disallowed* (0x0C) when all Peripherals in the piconet support AES-CCM encryption and Key_Flag is set to “Use Temporary Link Key”.

Note: When at least one Peripheral in the piconet cannot support AES-CCM encryption, encrypted broadcast packets will not be received by Peripherals where both the Controller and Host support Secure Connections. When all Peripherals in the piconet support AES-CCM encryption, broadcast packets will not be encrypted and may be received by Peripherals that have AES-CCM encryption enabled.

Command parameters:

Key_Flag:

Size: 1 octet

Value	Parameter Description
0x00	Use semi-permanent Link Keys.
0x01	Use Temporary Link Key.

Return parameters:

None.

Event(s) generated (unless masked away):

When the BR/EDR Controller receives the HCI_Link_Key_Selection command, the BR/EDR Controller shall send the HCI_Command_Status event to the Host. When the Link Manager has changed link key, the BR/EDR Controller on both the local and the remote device shall send an HCI_Link_Key_Type_Changed event to the Host. If no change is required or the command fails, only the Controller on the local device shall send the event. The Connection_Handle on the Central side shall be a Connection_Handle for one of the



existing connections to a Peripheral. On the Peripheral side, the Connection_Handle shall be a Connection_Handle to the initiating Central.

The HCI_Link_Key_Type_Changed event contains the status of this command.



7.1.19 Remote Name Request command

Command	OCF	Command Parameters	Return Parameters
HCI_Remote_Name_Request	0x0019	BD_ADDR, Page_Scan_Repetition_Mode, Reserved, Clock_Offset	<i>none</i>

Description:

The HCI_Remote_Name_Request command is used to obtain the user-friendly name of another BR/EDR Controller. The user-friendly name is used to enable the user to distinguish one BR/EDR Controller from another. The BD_ADDR command parameter is used to identify the device for which the user-friendly name is to be obtained. The Page_Scan_Repetition_Mode parameter specifies the Page Scan Repetition mode supported by the remote device with the BD_ADDR. This is the most recent version of the information that was acquired either during the inquiry process or from an HCI_Page_Scan_Repetition_Mode_Change event (see [Section 7.7.31](#)). The Clock_Offset parameter is the difference between its own clock and the clock of the remote device with BD_ADDR. Only bits 2 to 16 of the difference are used and they are mapped to this parameter as bits 0 to 14 respectively. A Clock_Offset_Valid_Flag, located in bit 15 of the Clock_Offset command parameter, is used to indicate if the Clock Offset is valid or not.

When the HCI_Remote_Supported_Host_Features_Notification event is unmasked and when the HCI_Remote_Name_Request command initiates a connection, the Link Manager shall read the remote LMP features mask pages 0 and 1.

Note: If no connection exists between the local device and the device corresponding to the BD_ADDR, a temporary Link Layer connection will be established to obtain the LMP features and name of the remote device.

Command parameters:

BD_ADDR:

Size: 6 octets

Value	Parameter Description
0XXXXXXXXXXXXX	BD_ADDR for the device whose name is requested.



Page_Scan_Repetition_Mode:

Size: 1 octet

Value	Parameter Description
0x00	R0
0x01	R1
0x02	R2
All other values	Reserved for future use.

Reserved:

Size: 1 octet

Value	Parameter Description
0x00	Reserved, shall be set to 0x00.

Clock_Offset:

Size: 2 octets

Bit Number	Parameter Description
0 to 14	Bits 2 to 16 of CLKNPeripheral - CLK
15	Clock_Offset_Valid_Flag Invalid Clock Offset = 0 Valid Clock Offset = 1

Return parameters:

None.

Event(s) generated (unless masked away):

When the BR/EDR Controller receives the HCI_Remote_Name_Request command, the BR/EDR Controller shall send the HCI_Command_Status event to the Host. If a temporary Link Layer connection was established, then when the Link Manager has completed the LMP sequence to obtain the remote Host supported features, if present, the BR/EDR Controller on the local device shall send an HCI_Remote_Host_Supported_Features_Notification event. When the Link Manager has completed the LMP messages to obtain the remote name, the local BR/EDR Controller shall send an HCI_Remote_Name_Request_Complete event to the Host. If the remote Host supported features page is present, the HCI_Remote_Host_Supported_Features_Notification event shall be sent before the HCI_Remote_Name_Request_Complete event. If not, only the HCI_Remote_Name_Request_Complete event shall be sent.



7.1.20 Remote Name Request Cancel command

Command	OCF	Command Parameters	Return Parameters
HCI_Remote_Name_Request_Cancel	0x001A	BD_ADDR	Status, BD_ADDR

Description:

This command is used to request cancellation of the ongoing remote name request process, which was started by the HCI_Remote_Name_Request command.

Command parameters:

BD_ADDR: *Size: 6 octets*

Value	Parameter Description
0xFFFFFFFFXXXX	BD_ADDR of the HCI_Remote_Name_Request command that was issued before and that is subject of this cancellation request

Return parameters:

Status: *Size: 1 octet*

Value	Parameter Description
0x00	HCI_Remote_Name_Request_Cancel command succeeded
0x01 to 0xFF	HCI_Remote_Name_Request_Cancel command failed. See [Vol 1] Part F, Controller Error Codes for list of error codes

BD_ADDR: *Size: 6 octets*

Value	Parameter Description
0xFFFFFFFFXXXX	BD_ADDR of the HCI_Remote_Name_Request_Cancel command that was issued before and that was subject of this cancellation request

Event(s) generated (unless masked away):

When the HCI_Remote_Name_Request_Cancel command has completed, an HCI_Command_Complete event shall be generated.

If the HCI_Remote_Name_Request_Cancel command is sent to the BR/EDR Controller without a preceding HCI_Remote_Name_Request command to the same device, the Controller shall return an HCI_Command_Complete event with the error code *Invalid HCI Command Parameters (0x12)*.



The `HCI_Remote_Name_Request_Complete` event for the corresponding `HCI_Remote_Name_Request` command shall always be sent. The `HCI_Remote_Name_Request_Complete` event shall be sent after the `HCI_Command_Complete` event for the `HCI_Remote_Name_Request_Cancel` command. If the cancellation was successful, the `HCI_Remote_Name_Request_Complete` event shall be generated with the error code *Unknown Connection Identifier* (0x02).



7.1.21 Read Remote Supported Features command

Command	OCF	Command Parameters	Return Parameters
HCI_Read_Remote_Supported_Features	0x001B	Connection_Handle	<i>none</i>

Description:

This command requests a list of the supported features for the remote device identified by the Connection_Handle parameter. The Connection_Handle shall be a Connection_Handle for an ACL-U logical link. The HCI_Read_Remote_Supported_Features_Complete event will return a list of the LMP features. For details see [\[Vol 2\] Part C, Link Manager Protocol Specification](#).

Command parameters:

Connection_Handle: *Size: 2 octets (12 bits meaningful)*

Value	Parameter Description
0xXXXX	Connection_Handle Range: 0x0000 to 0x0EFF

Return parameters:

None.

Event(s) generated (unless masked away):

When the BR/EDR Controller receives the HCI_Read_Remote_Supported_Features command, the BR/EDR Controller shall send the HCI_Command_Status event to the Host. When the Link Manager has completed the LMP sequence to determine the remote features or has determined that it will be using a cached copy, the BR/EDR Controller on the local device shall send an HCI_Read_Remote_Supported_Features_Complete event to the Host. The HCI_Read_Remote_Supported_Features_Complete event contains the status of this command, and parameters describing the supported features of the remote device.



7.1.22 Read Remote Extended Features command

Command	OCF	Command Parameters	Return Parameters
HCI_Read_Remote_Extended_Features	0x001C	Connection_Handle, Page_Number	none

Description:

The HCI_Read_Remote_Extended_Features command returns the requested page of the extended LMP features for the remote device identified by the specified Connection_Handle. The Connection_Handle shall be the Connection_Handle for an ACL-U logical link. This command is only available if the extended features feature is implemented by the remote device. The HCI_Read_Remote_Extended_Features_Complete event will return the requested information. For details see [\[Vol 2\] Part C, Link Manager Protocol Specification](#).

Command parameters:

Connection_Handle: *Size: 2 octets (12 bits meaningful)*

Value	Parameter Description
0xXXXX	Connection_Handle Range: 0x0000 to 0x0EFF

Page_Number: *Size: 1 octet*

Value	Parameter Description
0x00	Requests the normal LMP features as returned by the HCI_Read_Remote_Supported_Features command
0x01 to 0xFF	Return the corresponding page of features

Return parameters:

None.

Event(s) generated (unless masked away):

When the BR/EDR Controller receives the HCI_Read_Remote_Extended_Features command the BR/EDR Controller shall send the HCI_Command_Status event to the Host. When the Link Manager has completed the LMP sequence to determine the remote extended features or has determined that it will be using a cached copy, the Controller on the local device shall generate an HCI_Read_Remote_Extended_Features_Complete event to the Host. The HCI_Read_Remote_Extended_Features_Complete event contains the page number and the remote features returned by the remote device.



7.1.23 Read Remote Version Information command

Command	OCF	Command Parameters	Return Parameters
HCI_Read_Remote_Version_Information	0x001D	Connection_Handle	<i>none</i>

Description:

This command will obtain the values for the version information for the remote device identified by the Connection_Handle parameter. The Connection_Handle shall be a Connection_Handle for an ACL-U or LE-U logical link.

Command parameters:

Connection_Handle: *Size: 2 octets (12 bits meaningful)*

Value	Parameter Description
0xXXXX	Connection_Handle Range: 0x0000 to 0x0EFF

Return parameters:

None.

Event(s) generated (unless masked away):

When the Controller receives the HCI_Read_Remote_Version_Information command, the Controller shall send the HCI_Command_Status event to the Host. When the Link Manager or Link Layer has completed the sequence to determine the remote version information, the local Controller shall send an HCI_Read_Remote_Version_Information_Complete event to the Host. The HCI_Read_Remote_Version_Information_Complete event contains the status of this command, and parameters describing the version and subversion of the LMP or Link Layer used by the remote device.



7.1.24 Read Clock Offset command

Command	OCF	Command Parameters	Return Parameters
HCI_Read_Clock_Offset	0x001F	Connection_Handle	none

Description:

Both the System Clock and the clock offset to a remote device are used to determine what hopping frequency is used by a remote device for page scan. This command allows the Host to read the clock offset of remote devices. The clock offset can be used to speed up the paging procedure when the local device tries to establish a connection to a remote device, for example, when the local Host has issued an HCI_Create_Connection or HCI_Remote_Name_Request command. The Connection_Handle shall be a Connection_Handle for an ACL-U logical link.

Command parameters:

Connection_Handle: *Size: 2 octets (12 bits meaningful)*

Value	Parameter Description
0xXXXX	Connection_Handle Range: 0x0000 to 0x0EFF

Return parameters:

None.

Event(s) generated (unless masked away):

When the BR/EDR Controller receives the HCI_Read_Clock_Offset command, the BR/EDR Controller shall send the HCI_Command_Status event to the Host. If this command is requested at the Central then, when the Link Manager has completed the LMP messages to obtain the Clock Offset information, the BR/EDR Controller on the local BR/EDR Controller shall send an HCI_Read_Clock_Offset_Complete event to the Host. If this command is requested at the Peripheral, the LM shall immediately send an HCI_Read_Clock_Offset_Complete event to the Host, without an exchange of LMP PDUs.



7.1.25 Read LMP Handle command

Command	OCF	Command Parameters	Return Parameters
HCI_Read_LMP_Handle	0x0020	Connection_Handle	Status, Connection_Handle, LMP_Handle, Reserved

Description:

This command reads the current LMP Handle associated with the Connection_Handle. The Connection_Handle shall identify a SCO or eSCO connection. If the Connection_Handle is a SCO Connection_Handle, then this command shall read the LMP SCO Handle for this connection. If the Connection_Handle is an eSCO Connection_Handle, then this command shall read the LMP eSCO Handle for this connection.

Command parameters:

Connection_Handle: *Size: 2 octets (12 bits meaningful)*

Value	Parameter Description
0xXXXX	Connection_Handle Range: 0x0000 to 0x0EFF

Return parameters:

Status: *Size: 1 octet*

Value	Parameter Description
0x00	HCI_Read_LMP_Handle command succeeded.
0x01 to 0xFF	HCI_Read_LMP_Handle command failed. See [Vol 1] Part F, Controller Error Codes for a list of error codes and descriptions.

Connection_Handle: *Size: 2 octets (12 bits meaningful)*

Value	Parameter Description
0xXXXX	Connection_Handle Range: 0x0000 to 0x0EFF

**LMP_Handle:***Size: 1 octet*

Value	Parameter Description
0xXX	The LMP Handle is the LMP Handle that is associated with this Connection_Handle. For a synchronous handle, this would be the LMP Synchronous Handle used when negotiating the synchronous connection in the link manager.

Reserved:*Size: 4 octets*

Value	Parameter Description
0x00000000	This parameter is reserved and shall be set to zero.

Event(s) generated (unless masked away):

When the HCI_Read_LMP_Handle command has completed, an HCI_Command_Complete event shall be generated.



7.1.26 Setup Synchronous Connection command

Command	OCF	Command Parameters	Return Parameters
HCI_Setup_Synchronous_Connection	0x0028	Connection_Handle, Transmit_Bandwidth, Receive_Bandwidth, Max_Latency, Voice_Setting, Retransmission_Effort, Packet_Type	none

Description:

The HCI_Setup_Synchronous_Connection command adds a new or modifies an existing synchronous logical transport (SCO or eSCO) on a physical link depending on the Connection_Handle parameter specified. If the Connection_Handle refers to an ACL link a new synchronous logical transport will be added. If the ACL link has encryption enabled using AES-CCM and the Controller cannot establish an eSCO transport (e.g. the Host parameters restricting the packet types to only SCO packet types), the Controller shall return the error code *Connection Rejected Due to Security Reasons* (0x0E) and a SCO transport will not be established. If the Connection_Handle refers to an already existing synchronous logical transport (eSCO only) this link will be modified. The parameters are specified per connection. This synchronous connection can be used to transfer synchronous voice at 64 kb/s or transparent synchronous data.

When used to setup a new synchronous logical transport, the Connection_Handle parameter shall specify an ACL connection with which the new synchronous connection will be associated. The other parameters relate to the negotiation of the link, and may be reconfigured during the lifetime of the link. The transmit and receive bandwidth specify how much bandwidth shall be available for transmitting and for receiving data. While in many cases the receive and transmit bandwidth parameters may be equal, they may be different. The latency specifies an upper limit to the time in milliseconds between the eSCO (or SCO) instants, plus the size of the retransmission window, plus the length of the reserved synchronous slots for this logical transport. The content format specifies the settings for voice or transparent data on this connection. The retransmission effort specifies the extra resources that are allocated to this connection if a packet may need to be retransmitted. The Retransmission_Effort parameter shall be set to indicate the required behavior, or to don't care.

When used to modify an existing synchronous logical transport, the Transmit_Bandwidth, Receive_Bandwidth and Voice_Setting shall be set to the same values as were used during the initial setup. The Packet_Type, Retransmission_Effort and Max_Latency parameters may be modified.



The Packet_Type field is a bitmap specifying which packet types the LM shall accept in the negotiation of the link parameters. Multiple packet types are specified by bitwise OR of the packet type codes in the table. At least one packet type shall be specified for each negotiation. It is recommended to enable as many packet types as possible. The Host may enable packet types that are not supported by the local Controller.

A Connection_Handle for the new synchronous connection will be returned in an HCI_Synchronous_Connection_Complete event.

Note: The link manager may choose any combination of packet types, timing, and retransmission window sizes that satisfy the parameters given. This may be achieved by using more frequent transmissions of smaller packets. The link manager may choose to set up either a SCO or an eSCO connection, if the parameters allow, using the corresponding LMP sequences.

Note: To modify a SCO connection, use the HCI_Change_Connection_Packet_Type command.

If the lower layers cannot achieve the exact transmit and receive bandwidth requested subject to the other parameters, then the link shall be rejected.

A synchronous connection may only be created when an ACL connection already exists.

Command parameters:

Connection_Handle: *Size: 2 octets (12 bits meaningful)*

Value	Parameter Description
0xXXXX	Connection_Handle Range: 0x0000 to 0x0EFF

Transmit_Bandwidth: *Size: 4 octets*

Value	Parameter Description
0XXXXXXXX	Transmit bandwidth in octets per second.

Receive_Bandwidth: *Size: 4 octets*

Value	Parameter Description
0XXXXXXXX	Receive bandwidth in octets per second.



Max_Latency:

Size: 2 octets

Value	Parameter Description
0x0000 to 0x0003	Reserved for future use
0x0004 to 0xFFFFE	This is a value in milliseconds representing the upper limit of the sum of the synchronous interval, and the size of the eSCO window, where the eSCO window is the reserved slots plus the retransmission window. (See [Vol 2] Part B, Figure 8.9)
0xFFFF	Don't care.

Voice_Setting:

Size: 2 octets (10 bits meaningful)

Value	Parameter Description
See Section 6.12 .	

Retransmission_Effort:

Size: 1 octet

Value	Parameter Description
0x00	No retransmissions (SCO or eSCO connection allowed)
0x01	At least one retransmission, optimize for power consumption (eSCO connection required).
0x02	At least one retransmission, optimize for link quality (eSCO connection required)
0xFF	Don't care (SCO or eSCO connection allowed)
All other values	Reserved for future use

Packet_Type:

Size: 2 octets

Bit Number	Parameter Description
0	HV1 may be used.
1	HV2 may be used.
2	HV3 may be used.
3	EV3 may be used.
4	EV4 may be used.
5	EV5 may be used.
6	2-EV3 shall not be used.
7	3-EV3 shall not be used.
8	2-EV5 shall not be used.
9	3-EV5 shall not be used.
All other bits	Reserved for future use

**Return parameters:**

None.

Event(s) generated (unless masked away):

When the BR/EDR Controller receives the HCI_Setup_Synchronous_Connection command, it shall send the HCI_Command_Status event to the Host. In addition, when the LM determines the connection is established, the local BR/EDR Controller shall send an HCI_Synchronous_Connection_Complete event to the local Host, and the remote Controller will send an HCI_Synchronous_Connection_Complete event or an HCI_Connection_Complete event to the remote Host. The HCI_Synchronous_Connection_Complete event contains the Connection_Handle if this command is successful.

If this command is used to change the parameters of an existing eSCO link, the HCI_Synchronous_Connection_Changed event is sent to both Hosts. In this case no HCI_Synchronous_Connection_Complete event, HCI_Connection_Request event, or HCI_Connection_Complete event will be sent to either Host. This command cannot be used to change the parameters of a SCO link.



7.1.27 Accept Synchronous Connection Request command

Command	OCF	Command Parameters	Return Parameters
HCI_Accept_Synchronous_Connection_Request	0x0029	BD_ADDR, Transmit_Bandwidth, Receive_Bandwidth, Max_Latency, Voice_Setting, Retransmission_Effort, Packet_Type	<i>none</i>

Description:

The HCI_Accept_Synchronous_Connection_Request command is used to accept an incoming request for a synchronous connection and to inform the local Link Manager about the acceptable parameter values for the synchronous connection.

The command shall only be issued after an HCI_Connection_Request event with link type SCO or eSCO has occurred. The HCI_Connection_Request event contains the BD_ADDR of the device requesting the connection. The decision to accept a connection should be taken before the timer Connection_Accept_Timeout expires on the local device.

The Host shall include in the Packet_Type parameter at least one packet type for the transport (SCO or eSCO) specified in the incoming request. The Controller shall ignore any packet types in the Packet_Type parameter for the other transport.

If the ACL link has encryption enabled using AES-CCM then the Host shall not accept a request where the link type is SCO.

The parameter set of the HCI_Accept_Synchronous_Connection_Request command is the same as for the HCI_Setup_Synchronous_Connection command. The Transmit_Bandwidth and Receive_Bandwidth values are required values for the new link and shall be met. The Max_Latency is an upper bound to the acceptable latency for the Link, as defined in [Section 7.1.26 Setup_Synchronous_Connection](#) and shall not be exceeded. Voice_Setting specifies the encoding in the same way as in the HCI_Setup_Synchronous_Connection command and shall be met. The Retransmission_Effort parameter shall be set to indicate the required behavior, or to don't care. The Packet_Type parameter is a bit mask specifying the synchronous packet types that are allowed on the link.

If the Link Type of the incoming request is SCO, then the Controller shall ignore the Receive_Bandwidth and Retransmission_Effort parameters.



Note: See [Section 7.3.3](#) for the behavior when the HCI_Connection_Request event is masked or the connection is auto accepted.

Command parameters:

BD_ADDR: *Size: 6 octets*

Value	Parameter Description
0xXXXXXXXXXXXX	BD_ADDR of the device requesting the connection

Transmit_Bandwidth: *Size: 4 octets*

Value	Parameter Description
0x00000000 to 0xFFFFFFFF	Transmit bandwidth in octets per second.
0xFFFFFFFF	Don't care

Default: Don't care

Receive_Bandwidth: *Size: 4 octets*

Value	Parameter Description
0x00000000 to 0xFFFFFFFF	Receive bandwidth in octets per second.
0xFFFFFFFF	Don't care

Default: Don't care

Max_Latency: *Size: 2 octets*

Value	Parameter Description
0x0000 to 0x0003	Reserved for future use
0x0004 to 0xFFFF	This is a value in milliseconds representing the upper limit of the sum of the synchronous interval and the size of the eSCO window, where the eSCO window is the reserved slots plus the retransmission window. (See [Vol 2] Part B, Figure 8.9)
0xFFFF	Don't care.

Default: Don't care

Voice_Setting: *Size: 2 octets (10 bits meaningful)*

Value	Parameter Description
	See Section 6.12 .



Default: When links are auto-accepted, the values written by the HCI_Write_Voice_Setting command are used.

Retransmission_Effort:

Size: 1 octet

Value	Parameter Description
0x00	No retransmissions
0x01	At least one retransmission, optimize for power consumption
0x02	At least one retransmission, optimize for link quality
0xFF	Don't care
All other values	Reserved for future use

Default: Don't care

Packet_Type:

Size: 2 octets

Bit Number	Parameter Description
0	HV1 may be used.
1	HV2 may be used.
2	HV3 may be used.
3	EV3 may be used.
4	EV4 may be used.
5	EV5 may be used.
6	2-EV3 shall not be used.
7	3-EV3 shall not be used
8	2-EV5 shall not be used.
9	3-EV5 shall not be used.
All other bits	Reserved for future use

Default: 0x003F - means all defined packet types may be used.

Return parameters:

None.

Event(s) generated (unless masked away):

The HCI_Accept_Synchronous_Request command shall cause the HCI_Command_Status event to be sent from the BR/EDR Controller when the BR/EDR Controller starts setting up the connection. When the link setup is complete, the local BR/EDR Controller shall send an HCI_Synchronous_Connection_Complete event to its Host, and the remote BR/EDR Controller will send an HCI_Synchronous_Connection_Complete event to the Host. The



HCI_Synchronous_Connection_Complete will contain the Connection_Handle and the link parameters if the setup is successful.



7.1.28 Reject Synchronous Connection Request command

Command	OCF	Command Parameters	Return Parameters
HCI_Reject_Synchronous_ - Connection_Request	0x002A	BD_ADDR, Reason	none

Description:

The HCI_Reject_Synchronous_Connection_Request command is used to decline an incoming request for a synchronous link. It shall only be issued after an HCI_Connection_Request event with Link Type equal to SCO or eSCO has occurred. The HCI_Connection_Request event contains the BD_ADDR of the device requesting the connection. The Reason parameter will be returned to the initiating Host in the Status parameter of the HCI_Synchronous_ - Connection_Complete event on the remote side.

If the ACL link has encryption enabled using AES-CCM and the requested link type was SCO, the Host shall reject the request using this command with the Reason parameter set to *Connection Rejected Due to Security Reasons* (0x0E).

Command parameters:

BD_ADDR: *Size: 6 octets*

Value	Parameter Description
0XXXXXXXXXXXXX	BD_ADDR of the device requesting the connection

Reason: *Size: 1 octet*

Value	Parameter Description
0x0D to 0x0F	Host Reject error code. See [Vol 1] Part F, Controller Error Codes for error codes and descriptions.

Return parameters:

None.

Event(s) generated (unless masked away):

When the Controller receives the HCI_Reject_Synchronous_Connection_ - Request, it shall send an HCI_Command_Status event to the Host. When the setup is terminated, the local Controller shall send an HCI_Synchronous_ - Connection_Complete event to its Host, and the remote Controller will send an HCI_Synchronous_Connection_Complete event to the Host with the Reason code from this command.



7.1.29 IO Capability Request Reply command

Command	OCF	Command Parameters	Return Parameters
HCI_IO_Capability_Request_Reply	0x002B	BD_ADDR, IO_Capability, OOB_Data_Present, Authentication_Requirements	Status, BD_ADDR

Description:

The HCI_IO_Capability_Request_Reply command is used to reply to an HCI_IO_Capability_Request event from the Controller, and specifies the current I/O capabilities of the Host. This includes the Host input, output and out-of-band (OOB) capabilities.

If an authenticated link key is not required by the Host, the Authentication Requirements parameter may be set to one of the following:

- MITM Protection Not Required – No Bonding
- MITM Protection Not Required – Dedicated Bonding
- MITM Protection Not Required – General Bonding

If both Hosts set the Authentication_Requirements parameter to one of the above values, the Link Managers shall use the numeric comparison authentication procedure and the Hosts shall use the Just Works association model.

If an authenticated link key is required by the Host, the Authentication Requirements parameter shall be set to one of the following:

- MITM Protection Required – No Bonding
- MITM Protection Required – Dedicated Bonding
- MITM Protection Required – General Bonding

In addition, the following requirements apply:

- If one or both Hosts set the Authentication Requirements parameter to one of the above values, the Link Managers shall use the IO_Capability parameter to determine the authentication procedure.
- A Host that sets the Authentication_Requirements parameter to one of the above values shall verify that the resulting Link Key type meets the security requirements requested.



If the Host has received OOB authentication data from a device with the same `BD_ADDR` sent in the `HCI_IO_Capability_Request` event, then the `OOB_Data_Present` parameter shall be set to:

- "P-192 OOB authentication data from remote device present" when the Host has received only P-192 OOB data,
- "P-256 OOB authentication data from remote device present" when the Host has received only P-256 OOB data, or
- "P-192 and P-256 OOB authentication data from remote device present" when the Host has received both P-192 and P-256 OOB data.

Otherwise `OOB_Data_Present` shall be set to "OOB authentication data not present".

Command parameters:

BD_ADDR:

Size: 6 octets

Value	Parameter Description
0XXXXXXXXXXXXX	BD_ADDR of remote device involved in the Secure Simple Pairing process

IO_Capability:

Size: 1 octet

Value	Parameter Description
0x00	DisplayOnly
0x01	DisplayYesNo
0x02	KeyboardOnly
0x03	NoInputNoOutput
All other values	Reserved for future use

OOB_Data_Present:

Size: 1 octet

Value	Parameter Description
0x00	OOB authentication data not present
0x01	P-192 OOB authentication data from remote device present
0x02	P-256 OOB authentication data from remote device present
0x03	P-192 and P-256 OOB authentication data from remote device present
All other values	Reserved for future use



Authentication_Requirements:

Size: 1 octet

Value	Parameter Description
0x00	MITM Protection Not Required – No Bonding. Numeric comparison with automatic accept allowed.
0x01	MITM Protection Required – No Bonding. Use IO Capabilities to determine authentication procedure
0x02	MITM Protection Not Required – Dedicated Bonding. Numeric comparison with automatic accept allowed.
0x03	MITM Protection Required – Dedicated Bonding. Use IO Capabilities to determine authentication procedure
0x04	MITM Protection Not Required – General Bonding. Numeric Comparison with automatic accept allowed.
0x05	MITM Protection Required – General Bonding. Use IO capabilities to determine authentication procedure.
All other values	Reserved for future use

Return parameters:

Status:

Size: 1 octet

Value	Parameter Description
0x00	HCI_IO_Capability_Request_Reply command succeeded
0x01 to 0xFF	HCI_IO_Capability_Request_Reply command failed. See [Vol 1] Part F, Controller Error Codes for a list of error codes and descriptions.

BD_ADDR:

Size: 6 octets

Value	Parameter Description
0XXXXXXXXXXXXX	BD_ADDR of remote device involved in the Secure Simple Pairing process

Event(s) generated (unless masked away):

When the HCI_IO_Capability_Request_Reply command has completed, an HCI_Command_Complete event shall be generated. When the device is the initiator of Secure Simple Pairing, an HCI_IO_Capability_Response event shall be generated. Additionally, when the OOB_Data_Present parameter indicates that OOB authentication data from the remote device is present, the HCI_Remote_OOB_Data_Request event shall be generated.



7.1.30 User Confirmation Request Reply command

Command	OCF	Command Parameters	Return Parameters
HCI_User_Confirmation_Request_Reply	0x002C	BD_ADDR	Status, BD_ADDR

Description:

The HCI_User_Confirmation_Request_Reply command is used to reply to an HCI_User_Confirmation_Request event and indicates that the user selected "yes". It is also used when the Host has no input and no output capabilities.

Command parameters:

BD_ADDR: *Size: 6 octets*

Value	Parameter Description
0xFFFFFFFFXXXX	BD_ADDR of remote device involved in the Secure Simple Pairing process

Return parameters:

Status: *Size: 1 octet*

Value	Parameter Description
0x00	HCI_User_Confirmation_Request_Reply command succeeded
0x01 to 0xFF	HCI_User_Confirmation_Request_Reply command failed. See [Vol 1] Part F, Controller Error Codes for a list of error codes and descriptions.

BD_ADDR: *Size: 6 octets*

Value	Parameter Description
0xFFFFFFFFXXXX	BD_ADDR of remote device involved in the Secure Simple Pairing process

Event(s) generated (unless masked away):

When the HCI_User_Confirmation_Request_Reply command has completed, an HCI_Command_Complete event shall be generated.



7.1.31 User Confirmation Request Negative Reply command

Command	OCF	Command Parameters	Return Parameters
HCI_User_Confirmation_Request_Negative_Reply	0x002D	BD_ADDR	Status, BD_ADDR

Description:

The HCI_User_Confirmation_Request_Negative_Reply command is used to reply to an HCI_User_Confirmation_Request event and indicates that the user selected "no". This command shall cause the initiating Link Manager to transmit an LMP_NUMERIC_COMPARISON_FAILED PDU and terminate Secure Simple Pairing.

Command parameters:

BD_ADDR: *Size: 6 octets*

Value	Parameter Description
0xFFFFFFFFXXXX	BD_ADDR of remote device involved in the Secure Simple Pairing process

Return parameters:

Status: *Size: 1 octet*

Value	Parameter Description
0x00	HCI_User_Confirmation_Request_Negative_Reply command succeeded
0x01 to 0xFF	HCI_User_Confirmation_Request_Negative_Reply command failed. See [Vol 1] Part F, Controller Error Codes for a list of error codes and descriptions.

BD_ADDR: *Size: 6 octets*

Value	Parameter Description
0xFFFFFFFFXXXX	BD_ADDR of remote device involved in the Secure Simple Pairing process

Event(s) generated (unless masked away):

When the HCI_User_Confirmation_Request_Negative_Reply command has completed, an HCI_Command_Complete event shall be generated.



7.1.32 User Passkey Request Reply command

Command	OCF	Command Parameters	Return Parameters
HCI_User_Passkey_Request_Reply	0x002E	BD_ADDR, Numeric_Value	Status, BD_ADDR

Description:

The HCI_User_Passkey_Request_Reply command is used to reply to an HCI_User_Passkey_Request event and specifies the Numeric_Value (passkey) entered by the user to be used in the Secure Simple Pairing process.

Command parameters:

BD_ADDR: *Size: 6 octets*

Value	Parameter Description
0xXXXXXXXXXXXX	BD_ADDR of remote device involved in the Secure Simple Pairing process

Numeric_Value: *Size: 4 octets*

Value	Parameter Description
0x00000000 to 0x000F423F	Numeric value (passkey) entered by user. Valid values are decimal 000000 to 999999.

Return parameters:

Status: *Size: 1 octet*

Value	Parameter Description
0x00	HCI_User_Passkey_Request_Reply command succeeded
0x01 to 0xFF	HCI_User_Passkey_Request_Reply command failed. See [Vol 1] Part F, Controller Error Codes for a list of error codes and descriptions.

BD_ADDR: *Size: 6 octets*

Value	Parameter Description
0xXXXXXXXXXXXX	BD_ADDR of remote device involved in the Secure Simple Pairing process

Event(s) generated (unless masked away):

When the HCI_User_Passkey_Request_Reply command has completed, an HCI_Command_Complete event shall be generated.



7.1.33 User Passkey Request Negative Reply command

Command	OCF	Command Parameters	Return Parameters
HCI_User_Passkey_Request_Negative_Reply	0x002F	BD_ADDR	Status, BD_ADDR

Description:

The HCI_User_Passkey_Request_Negative_Reply command is used to reply to an HCI_User_Passkey_Request event and indicates the Host could not provide a passkey. This command shall cause the initiating Link Manager to transmit an LMP_PASSKEY_ENTRY_FAILED PDU and terminate Simple Pairing.

Command parameters:

BD_ADDR: *Size: 6 octets*

Value	Parameter Description
0xXXXXXXXXXXXX	BD_ADDR of remote device involved in the Secure Simple Pairing process

Return parameters:

Status: *Size: 1 octet*

Value	Parameter Description
0x00	HCI_User_Passkey_Request_Negative_Reply command succeeded
0x01 to 0xFF	HCI_User_Passkey_Request_Negative_Reply command failed. See [Vol 1] Part F, Controller Error Codes for a list of error codes and descriptions.

BD_ADDR: *Size: 6 octets*

Value	Parameter Description
0xXXXXXXXXXXXX	BD_ADDR of remote device involved in the Secure Simple Pairing process

Event(s) generated (unless masked away):

When the HCI_User_Passkey_Negative_Request_Reply command has completed, an HCI_Command_Complete event shall be generated.



7.1.34 Remote OOB Data Request Reply command

Command	OCF	Command Parameters	Return Parameters
HCI_Remote_OOB_Data_Request_Reply	0x0030	BD_ADDR, C, R	Status, BD_ADDR

Description:

The HCI_Remote_OOB_Data_Request_Reply command is used to reply to an HCI_Remote_OOB_Data_Request event with the C and R values received via an OOB transfer from a remote device identified by BD_ADDR. If the R value is not present in the received OOB data from the remote device, the Host shall set R to zeros.

Command parameters:

BD_ADDR: *Size: 6 octets*

Value	Parameter Description
0XXXXXXXXXXXXX	BD_ADDR of remote device from which the C and R values were received

C: *Size: 16 octets*

Value	Parameter Description
0XXXXXXXXXXXXX XXXXXXXXXXXXX XXXXXXXXXXXXX	Secure Simple Pairing Hash C

R: *Size: 16 octets*

Value	Parameter Description
0XXXXXXXXXXXXX XXXXXXXXXXXXX XXXXXXXXXXXXX	Secure Simple Pairing Randomizer R

Return parameters:

Status: *Size: 1 octet*

Value	Parameter Description
0x00	HCI_Remote_OOB_Data_Request_Reply command succeeded
0x01to 0xFF	HCI_Remote_OOB_Data_Request_Reply command failed. See [Vol 1] Part F, Controller Error Codes for a list of error codes and descriptions.



BD_ADDR:

Size: 6 octets

Value	Parameter Description
0XXXXXXXXXXXXX	BD_ADDR of remote device involved in the Secure Simple Pairing process

Event(s) generated (unless masked away):

When the HCI_Remote_OOB_Data_Request_Reply command has completed, an HCI_Command_Complete event shall be generated.



7.1.35 Remote OOB Data Request Negative Reply command

Command	OCF	Command Parameters	Return Parameters
HCI_Remote_OOB_Data_Request_Negative_Reply	0x0033	BD_ADDR	Status, BD_ADDR

Description:

The HCI_Remote_OOB_Data_Request_Negative_Reply command is used to reply to an HCI_Remote_OOB_Data_Request event that the Host does not have the C and R values associated with the remote device identified by BD_ADDR.

Command parameters:

BD_ADDR: *Size: 6 octets*

Value	Parameter Description
0xXXXXXXXXXXXX	BD_ADDR of remote device

Return parameters:

Status: *Size: 1 octet*

Value	Parameter Description
0x00	HCI_Remote_OOB_Data_Request_Negative_Reply command succeeded
0x01 to 0xFF	HCI_Remote_OOB_Data_Request_Negative_Reply command failed. See [Vol 1] Part F, Controller Error Codes for a list of error codes and descriptions.

BD_ADDR: *Size: 6 octets*

Value	Parameter Description
0xXXXXXXXXXXXX	BD_ADDR of remote device involved in the Secure Simple Pairing process

Event(s) generated (unless masked away):

When the HCI_Remote_OOB_Data_Request_Negative_Reply command has completed, an HCI_Command_Complete event shall be generated.



7.1.36 IO Capability Request Negative Reply command

Command	OCF	Command Parameters	Return Parameters
HCI_IO_Capability_Request_Negative_Reply	0x0034	BD_ADDR, Reason	Status, BD_ADDR

Description:

The HCI_IO_Capability_Request_Negative_Reply command shall be used to reject a pairing attempt after an HCI_IO_Capability_Request event has been received by the Host. The reason for the rejection is given in the Reason parameter. The error code *Secure Simple Pairing not Supported by Host* (0x37) shall not be used in the Reason parameter.

Command parameters:

BD_ADDR: *Size: 6 octets*

Value	Parameter Description
0XXXXXXXXXXXXX	BD_ADDR of remote device involved in the Secure Simple Pairing process

Reason: *Size: 1 octet*

Value	Parameter Description
0xXX	Reason that Secure Simple Pairing rejected. See [Vol 1] Part F, Controller Error Codes for a list of error codes and descriptions.

Return parameters:

Status: *Size: 1 octet*

Value	Parameter Description
0x00	HCI_IO_Capability_Request_Negative_Reply command succeeded.
0x01 to 0xFF	HCI_IO_Capability_Request_Negative_Reply command failed. See [Vol 1] Part F, Controller Error Codes for a list of error codes and descriptions.

BD_ADDR: *Size: 6 octets*

Value	Parameter Description
0XXXXXXXXXXXXX	BD_ADDR of remote device involved in the Secure Simple Pairing process

**Event(s) generated (unless masked away):**

When the HCI_IO_Capability_Request_Negative_Reply command has completed, an HCI_Command_Complete event shall be generated.



7.1.37 [This section is no longer used]

7.1.38 [This section is no longer used]

7.1.39 [This section is no longer used]

7.1.40 [This section is no longer used]

7.1.41 [This section is no longer used]

7.1.42 [This section is no longer used]

7.1.43 [This section is no longer used]

7.1.44 [This section is no longer used]



7.1.45 Enhanced Setup Synchronous Connection command

Command	OCF	Command Parameters	Return Parameters
HCI_Enhanced_Setup_Synchronous_Connection	0x003D	Connection_Handle, Transmit_Bandwidth, Receive_Bandwidth, Transmit_Coding_Format, Receive_Coding_Format, Transmit_Codec_Frame_Size, Receive_Codec_Frame_Size, Input_Bandwidth, Output_Bandwidth, Input_Coding_Format, Output_Coding_Format, Input_Coded_Data_Size, Output_Coded_Data_Size, Input_PCM_Data_Format, Output_PCM_Data_Format, Input_PCM_Sample_Payload_- MSB_Position, Output_PCM_Sample_Payload_- MSB_Position, Input_Data_Path, Output_Data_Path, Input_Transport_Unit_Size, Output_Transport_Unit_Size, Max_Latency, Packet_Type, Retransmission_Effort	<i>none</i>

Description:

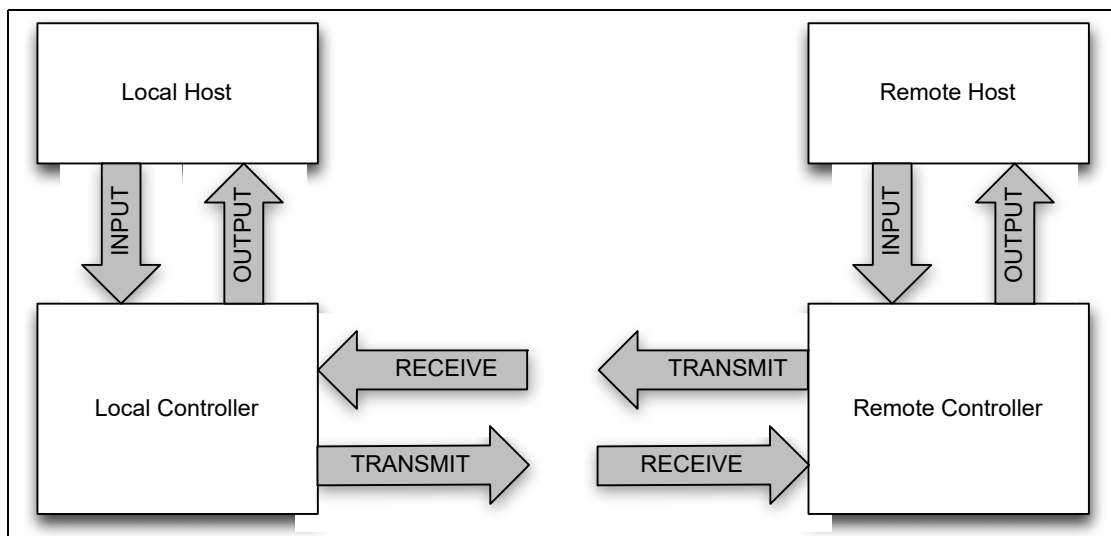
The HCI_Enhanced_Setup_Synchronous_Connection command adds a new, or modifies an existing, synchronous logical transport (SCO or eSCO) on a physical link depending on the Connection_Handle parameter specified. If the Connection_Handle refers to an ACL link, then a new synchronous logical transport shall be added. If the Connection_Handle refers to an existing synchronous logical transport (eSCO only), then this link shall be modified. The parameters are specified per connection. This synchronous connection can be used to transfer synchronous voice data or transparent synchronous data. If the ACL link has encryption enabled using AES-CCM and the Controller cannot establish an eSCO transport (e.g. the Host parameters restricting the packet types to SCO packet types), the Controller shall return the error code



Connection Rejected Due to Security Reasons (0x0E) and a SCO transport will not be established.

When used to setup a new synchronous logical transport, the `Connection_Handle` parameter shall specify an ACL connection with which the new synchronous connection shall be associated. The other parameters relate to the negotiation of the link, and may be reconfigured during the lifetime of the link.

The following terms are used to describe the four different audio paths: Transmit, Receive, Input and Output. The Transmit and Receive paths are from the perspective of the local Controller's radio. The Input and Output paths are from the perspective of the Controller.



The following parameters are used to describe the transmit and receive paths over the air:

- The `Transmit_Bandwidth` and `Receive_Bandwidth` parameters specify how much bandwidth shall be available for transmitting and for receiving data. The Host shall set the `Transmit_Bandwidth` and `Receive_Bandwidth` parameters to be equal or shall set one of them to be zero and the other non-zero.
- The `Transmit_Coding_Format` and `Receive_Coding_Format` parameters specify the coding format used for transmitted or received data. The Host shall set the `Transmit_Coding_Format` and `Receive_Coding_Formats` to be equal. When the `Transmit_Coding_Format` and `Receive_Coding_Format` parameters are not equal to CVSD, A-law or μ -law, the Link Manager shall map these to Transparent air mode.
- The `Transmit_Codec_Frame_Size` and `Receive_Codec_Frame_Size` parameters specify the frame size produced by the codecs in the context of



over-the-air coding. The over-the-air packet size should have the following relationship with the codec frame size:

$$\text{Packet_Size} = \text{Frame_Size} \times N, \text{ or}$$

$$\text{Packet_Size} = \text{Frame_Size} / N$$

where N is an integer.

The following parameters are used to describe the coding format used prior to encapsulating over the audio data transport path:

- The `Input_Bandwidth` and `Output_Bandwidth` specify the nominal rate at which the Host or Controller transfers data (for HCI transports this excludes the HCI header). The Host shall either set the `Input_Bandwidth` and `Output_Bandwidth` to be equal, or shall set one of them to be zero and the other non-zero.
- The `Input_Coding_Format` and `Output_Coding_Format` parameters specify the coding format used over the transport. The Host shall set the `Input_Coding_Format` and `Output_Coding_Format` to be equal.
- The `Input_Coded_Data_Size` and `Output_Coded_Data_Size` specify the number of bits in each sample or frame of data. For CVSD, a frame of data shall be 8 bits.
- The `Input_PCM_Data_Format` and `Output_PCM_Data_Format` parameters specify the data format over the transport for linear samples. They shall be ignored when the data is encoded in any other way.
- The `Input_PCM_Sample_Payload_MSB_Position` and `Output_PCM_Sample_Payload_MSB_Position` parameters indicate, for linear samples, how many bit positions that the MSB of the sample is away from starting at the MSB of the data. They shall be ignored when the data is encoded in any other way. For example, if `Input_Coded_Data_Size` = 16 and `Input_PCM_Sample_Payload_MSB_Position` = 3, then each sample is actually only 13 bits, the MSB (which is the sign bit for signed formats) is bit 12 (counting from the LSB at bit 0), and the contents of bits 13, 14, and 15 of each sample shall be ignored.

The following parameters describe the audio data transport path characteristics:

- The `Input_Data_Path` and `Output_Data_Path` parameters specify the audio data transport path. When set to 0x00, the audio data path shall be over the HCI transport. When set to 0xFF, audio test mode (see [Section 7.6.2](#)) is selected (this is only applicable during test mode). When set to 0x01 to 0xFE, the audio data path shall use non-HCI transport data paths (e.g. PCM interface) with logical transport channel numbers. The meanings of these logical transport channel numbers are vendor specific.
- The `Input_Transport_Unit_Size` and `Output_Transport_Unit_Size` indicate how many bits are in each unit of data delivered by the audio data transport. Except for HCI, the meaning of “unit” depends on the Host transport used



and, therefore, is vendor specific (for example, on a PCM transport this should indicate the number of bits transported per sync pulse, and would normally be 8 or 16). The Host shall set the `Input_Transport_Unit_Size` and `Output_Transport_Unit_Size` to be equal. For HCI Host transport the Host shall set them to 0.

The following parameters are used by the Link Manager to negotiate the synchronous transport:

- The `Max_Latency` parameter specifies an upper limit to the time in milliseconds between the eSCO (or SCO) instants, plus the size of the retransmission window, plus the length of the reserved synchronous slots for this logical transport.
- The `Packet_Type` parameter is a bitmap specifying which synchronous packet types may be used by the Link Manager in the negotiation of the link parameters. Multiple packet types are specified by bitwise OR of the packet type codes in the table. At least one packet type shall be specified for each negotiation. It is recommended to enable as many packet types as possible. The Host may enable packet types that are not supported by the local Controller.
- The `Retransmission_Effort` parameter specifies the extra resources that are allocated to this connection if a packet may need to be retransmitted. The `Retransmission_Effort` parameter shall be set to indicate the required behavior, or to “Don’t care”.

The following restrictions shall apply:

- Either both the `Transmit_Coding_Format` and `Input_Coding_Format` shall be “transparent” or neither shall be. If both are “transparent”, the `Transmit_Bandwidth` and the `Input_Bandwidth` shall be the same and the Controller shall not modify the data sent to the remote device.
- Either both the `Receive_Coding_Format` and `Output_Coding_Format` shall be “transparent” or neither shall be. If both are “transparent”, the `Receive_Bandwidth` and the `Output_Bandwidth` shall be the same and the Controller shall not modify the data sent to the Host.

A `Connection_Handle` for the new synchronous connection will be returned in the `HCI_Synchronous_Connection_Complete` event if the command is used to set up a new synchronous connection.

When used to modify an existing synchronous logical transport, only the `Packet_Type`, `Retransmission_Effort` and `Max_Latency` parameters may be modified.

Note: The Link Manager may choose any combination of packet types, timing, and retransmission window sizes that satisfy the parameters given. This may be achieved by using more frequent transmissions of smaller packets. The link manager may choose to set up either a SCO or an eSCO connection, if the parameters allow, using the corresponding LMP sequences.



Note: To modify a SCO connection, use the HCI_Change_Connection_Packet_Type command.

If the lower layers cannot achieve the exact transmit and receive bandwidth requested subject to the other parameters, or cannot achieve the transcoding or resampling implied by the parameters, then the link creation or link modification shall be rejected. A synchronous connection may only be created when an ACL connection already exists.

The data at the audio data transport interface shall be treated as a stream of bits. The bits in each unit of data delivered by the transport shall be taken LSB first, and the units shall be taken in the order of delivery. The samples, encoded samples, frames, or other entity to be transcoded for transmission, or that has been transcoded after reception, shall be taken in the order of transmission or reception, with each entity taken LSB first.

For example, if the audio data transport uses 16 bit units and the Input or Output coding format is A-law, each unit represents two samples with the first in the 8 least significant bits and the second in the 8 most significant bits. Similarly, if the audio data transport uses 8 bit units and the Input or Output coding format is linear PCM with a size of 16 bits, the 8 least significant bits of each sample are transmitted first.

Command parameters:

Connection_Handle: *Size: 2 octets (12 bits meaningful)*

Value	Parameter Description
0xXXXX	Connection_Handle Range: 0x0000 to 0x0EFF

Transmit_Bandwidth: *Size: 4 octets*

Value	Parameter Description
0x00000000 to 0xFFFFFFFF	Transmit bandwidth in octets per second.
0xFFFFFFFF	Don't care

Receive_Bandwidth: *Size: 4 octets*

Value	Parameter Description
0x00000000 to 0xFFFFFFFF	Receive bandwidth in octets per second.
0xFFFFFFFF	Don't care



Transmit_Coding_Format:

Size: 5 octets

Value	Parameter Description
Octet 0	See Assigned Numbers for Coding_Format
Octets 1 to 4	Octet 1 to 2: Company ID, see Assigned Numbers for Company Identifier Octet 3 to 4: Vendor specific codec ID. Shall be ignored if octet 0 of Transmit_Coding_Format is not 0xFF.

Receive_Coding_Format:

Size: 5 octets

Value	Parameter Description
Octet 0	See Assigned Numbers for Coding_Format
Octets 1 to 4	Octet 1 to 2: Company ID, see Assigned Numbers for Company Identifier. Octet 3 to 4: Vendor specific codec ID. Shall be ignored if octet 0 of Receive_Coding_Format is not 0xFF.

Transmit_Codec_Frame_Size:

Size: 2 octets

Value	Parameter Description
0xFFFF	Range: 0x0001 to 0xFFFF, the actual size of the over-the-air encoded frame in octets.

Receive_Codec_Frame_Size:

Size: 2 octets

Value	Parameter Description
0xFFFF	Range: 0x0001 to 0xFFFF, the actual size of the over-the-air encoded frame in octets.

Input_Bandwidth:

Size: 4 octets

Value	Parameter Description
0xFFFFFFFF	Host to Controller nominal data rate in octets per second.

Output_Bandwidth:

Size: 4 octets

Value	Parameter Description
0xFFFFFFFF	Controller to Host nominal data rate in octets per second.



Input_Coding_Format:

Size: 5 octets

Value	Parameter Description
Octet 0	See Assigned Numbers for Coding_Format
Octets 1 to 4	Octet 1 to 2: Company ID, see Assigned Numbers for Company Identifier. Octet 3 to 4: Vendor specific codec ID. Shall be ignored if octet 0 of Input_Coding_Format is not 0xFF.

Output_Coding_Format:

Size: 5 octets

Value	Parameter Description
Octet 0	See Assigned Numbers for Coding_Format
Octets 1 to 4	Octet 1 to 2: Company ID, see Assigned Numbers for Company Identifier. Octet 3 to 4: Vendor specific codec ID. Shall be ignored if octet 0 of Output_Coding_Format is not 0xFF.

Input_Coded_Data_Size:

Size: 2 octets

Value	Parameter Description
0xXXXX	Size, in bits, of the sample or framed data

Output_Coded_Data_Size:

Size: 2 octets

Value	Parameter Description
0xXXXX	Size, in bits, of the sample or framed data

Input_PCM_Data_Format:

Size: 1 octet

Value	Parameter Description
0xXX	See Assigned Numbers for PCM_Data_Format

Output_PCM_Data_Format:

Size: 1 octet

Value	Parameter Description
0xXX	See Assigned Numbers for PCM_Data_Format

Input_PCM_Sample_Payload_MSB_Position:

Size: 1 octet

Value	Parameter Description
0xXX	The number of bit positions within an audio sample that the MSB of the sample is away from starting at the MSB of the data.



Output_PCM_Sample_Payload_MSB_Position:

Size: 1 octet

Value	Parameter Description
0xXX	The number of bit positions within an audio sample that the MSB of the sample is away from starting at the MSB of the data.

Input_Data_Path:

Size: 1 octet

Value	Parameter Description
0x00	HCI
0x01 to 0xFE	Logical_Channel_Number. The meaning of the logical channels will be vendor specific.
0xFF	Audio test mode

Output_Data_Path:

Size: 1 octet

Value	Parameter Description
0x00	HCI
0x01 to 0xFE	Logical_Channel_Number. The meaning of the logical channels will be vendor specific.
0xFF	Audio test mode

Input_Transport_Unit_Size:

Size: 1 octet

Value	Parameter Description
1 to 255	The number of bits in each unit of data received from the Host over the audio data transport.
0	Not applicable (implied by the choice of audio data transport)

Output_Transport_Unit_Size:

Size: 1 octet

Value	Parameter Description
1 to 255	The number of bits in each unit of data sent to the Host over the audio data transport.
0	Not applicable (implied by the choice of audio data transport)

Max_Latency:

Size: 2 octets

Value	Parameter Description
0x0000 to 0x0003	Reserved for future use
0x0004 to 0xFFFE	The value in milliseconds representing the upper limit of the sum of the synchronous interval, and the size of the eSCO window, where the eSCO window is the reserved slots plus the retransmission window. (See [Vol 2] Part B, Figure 8.9)
0xFFFF	Don't care.



Packet_Type:

Size: 2 octets

Bit Number	Parameter Description
0	HV1 may be used
1	HV2 may be used
2	HV3 may be used
3	EV3 may be used
4	EV4 may be used
5	EV5 may be used
6	2-EV3 shall not be used
7	3-EV3 shall not be used
8	2-EV5 shall not be used
9	3-EV5 shall not be used
All other bits	Reserved for future use

Note: 0x003F means all packet types may be used.

Retransmission_Effort:

Size: 1 octet

Value	Parameter Description
0x00	No retransmission (SCO or eSCO connection allowed)
0x01	At least one retransmission, optimize for power consumption (eSCO connection required)
0x02	At least one retransmission, optimize for link quality (eSCO connection required)
0xFF	Don't care (SCO or eSCO connection allowed)
All other values	Reserved for future use

Return parameters:

None.

Event(s) generated (unless masked away):

When the BR/EDR Controller receives the HCI_Enhanced_Setup_Synchronous_Connection command, it shall send the HCI_Command_Status event to the Host. In addition, when the LM determines that the connection is established, the local BR/EDR Controller shall send an HCI_Synchronous_Connection_Complete event to the local Host, and the remote Controller will send an HCI_Synchronous_Connection_Complete event or an HCI_Connection_Complete event to the remote Host. The HCI_Synchronous_



Connection_Complete event contains the Connection_Handle if this command is successful.

This command cannot be used to change the parameters of a SCO link.



7.1.46 Enhanced Accept Synchronous Connection Request command

Command	OCF	Command Parameters	Return Parameters
HCI_Enhanced_Accept_Synchronous_Connection_Request	0x003E	BD_ADDR, Transmit_Bandwidth, Receive_Bandwidth, Transmit_Coding_Format, Receive_Coding_Format, Transmit_Codec_Frame_Size, Receive_Codec_Frame_Size, Input_Bandwidth, Output_Bandwidth, Input_Coding_Format, Output_Coding_Format, Input_Coded_Data_Size, Output_Coded_Data_Size, Input_PCM_Data_Format, Output_PCM_Data_Format, Input_PCM_Sample_Payload_MSB_Position, Output_PCM_Sample_Payload_MSB_Position, Input_Data_Path, Output_Data_Path, Input_Transport_Unit_Size, Output_Transport_Unit_Size, Max_Latency, Packet_Type, Retransmission_Effort	<i>none</i>

Description:

The HCI_Enhanced_Accept_Synchronous_Connection_Request command is used to accept an incoming request for a synchronous connection and to present the local Link Manager with the acceptable parameter values for the synchronous connection. This command shall only be issued after an HCI_Connection_Request event, with link type SCO or eSCO, has occurred. An HCI_Connection_Request event contains the BD_ADDR of the device requesting the connection. The command to accept a connection must be received by the Controller before the timer Connection_Accept_Timeout expires on the local device.

The parameter set of the HCI_Enhanced_Accept_Synchronous_Connection_Request command is the same as for the HCI_Enhanced_



Setup_Synchronous_Connection command except for the Connection_Handle in the HCI_Enhanced_Setup_Synchronous_Connection command, which is replaced by the BD_ADDR in the HCI_Enhanced_Accept_Synchronous_Connection_Request command. See [Section 7.1.45](#) for the descriptions of these parameters.

The Host shall include in the Packet_Type parameter at least one packet type for the transport (SCO or eSCO) specified in the incoming request. The Controller shall ignore any packet types in the Packet_Type parameter for the other transport.

If the Link Type of the incoming request is SCO, then the Retransmission_Effort parameter shall be ignored.

Note: See [Section 7.3.3](#) for the behavior when the HCI_Connection_Request event is masked or the connection is auto accepted.

If the ACL link has encryption enabled using AES-CCM then the Host shall not accept a request where the link type is SCO.

Command parameters:

BD_ADDR: *Size: 6 octets*

Value	Parameter Description
0XXXXXXXXXXXXX	BD_ADDR of the device requesting the connection

Transmit_Bandwidth: *Size: 4 octets*

Value	Parameter Description
0x00000000 to 0xFFFFFFFFE	Transmit bandwidth in octets per second.
0xFFFFFFFFF	Don't care

Receive_Bandwidth: *Size: 4 octets*

Value	Parameter Description
0x00000000 to 0xFFFFFFFFE	Receive bandwidth in octets per second.
0xFFFFFFFFF	Don't care



Transmit_Coding_Format:

Size: 5 octets

Value	Parameter Description
Octet 0	See Assigned Numbers for Coding_Format
Octets 1 to 4	Octet 1 to 2: Company ID, see Assigned Numbers for Company Identifier. Octet 3 to 4: Vendor specific codec ID. Shall be ignored if octet 0 of Transmit_Coding_Format is not 0xFF.

Receive_Coding_Format:

Size: 5 octets

Value	Parameter Description
Octet 0	See Assigned Numbers for Coding_Format
Octets 1 to 4	Octet 1 to 2: Company ID, see Assigned Numbers for Company Identifier. Octet 3 to 4: Vendor specific codec ID. Shall be ignored if octet 0 of Receive_Coding_Format is not 0xFF.

Transmit_Codec_Frame_Size:

Size: 2 octets

Value	Parameter Description
0xFFFF	Range: 0x0001 to 0xFFFF, the actual size of the over-the-air encoded frame in octets.

Receive_Codec_Frame_Size:

Size: 2 octets

Value	Parameter Description
0xFFFF	Range: 0x0001 to 0xFFFF, the actual size of the over-the-air encoded frame in octets.

Input_Bandwidth:

Size: 4 octets

Value	Parameter Description
0xFFFFFFFF	Host to Controller nominal data rate in octets per second.

Output_Bandwidth:

Size: 4 octets

Value	Parameter Description
0xFFFFFFFF	Controller to Host nominal data rate in octets per second.



Input_Coding_Format:

Size: 5 octets

Value	Parameter Description
Octet 0	See Assigned Numbers for Coding_Format
Octets 1 to 4	Octet 1 to 2: Company ID, see Assigned Numbers for Company Identifier. Octet 3 to 4: Vendor specific codec ID. Shall be ignored if octet 0 of Input_Coding_Format is not 0xFF.

Output_Coding_Format:

Size: 5 octets

Value	Parameter Description
Octet 0	See Assigned Numbers for Coding_Format
Octets 1 to 4	Octet 1 to 2: Company ID, see Assigned Numbers for Company Identifier. Octet 3 to 4: Vendor specific codec ID. Shall be ignored if octet 0 of Output_Coding_Format is not 0xFF.

Input_Coded_Data_Size:

Size: 2 octets

Value	Parameter Description
0xFFFF	Size, in bits, of the sample or framed data

Output_Coded_Data_Size:

Size: 2 octets

Value	Parameter Description
0xFFFF	Size, in bits, of the sample or framed data

Input_PCM_Data_Format:

Size: 1 octet

Value	Parameter Description
0xFF	See Assigned Numbers for PCM_Data_Format

Output_PCM_Data_Format:

Size: 1 octet

Value	Parameter Description
0xFF	See Assigned Numbers for PCM_Data_Format

Input_PCM_Sample_Payload_MSB_Position:

Size: 1 octet

Value	Parameter Description
0xFF	The number of bit positions within an audio sample that the MSB of the sample is away from starting at the MSB of the data.

**Output_PCM_Sample_Payload_MSB_Position:****Size: 1 octet**

Value	Parameter Description
0xXX	The number of bit positions within an audio sample that the MSB of the sample is away from starting at the MSB of the data.

Input_Data_Path:**Size: 1 octet**

Value	Parameter Description
0x00	HCI
0x01 to 0xFE	Logical_Channel_Number. The meaning of the logical channels will be vendor specific.
0xFF	Audio test mode

Output_Data_Path:**Size: 1 octet**

Value	Parameter Description
0x00	HCI
0x01 to 0xFE	Logical_Channel_Number. The meaning of the logical channels will be vendor specific.
0xFF	Audio test mode

Input_Transport_Unit_Size:**Size: 1 octet**

Value	Parameter Description
1 to 255	The number of bits in each unit of data received from the Host over the audio data transport.
0	Not applicable (implied by the choice of audio data transport)

Output_Transport_Unit_Size:**Size: 1 octet**

Value	Parameter Description
1 to 255	The number of bits in each unit of data sent to the Host over the audio data transport.
0	Not applicable (implied by the choice of audio data transport)

Max_Latency:**Size: 2 octets**

Value	Parameter Description
0x0000 to 0x0003	Reserved for future use
0x0004 to 0xFFFE	The value in milliseconds representing the upper limit of the sum of the synchronous interval, and the size of the eSCO window, where the eSCO window is the reserved slots plus the retransmission window. (See [Vol 2] Part B, Figure 8.9)
0xFFFF	Don't care.



Packet_Type:

Size: 2 octets

Bit Number	Parameter Description
0	HV1 may be used
1	HV2 may be used
2	HV3 may be used
3	EV3 may be used
4	EV4 may be used
5	EV5 may be used
6	2-EV3 shall not be used
7	3-EV3 shall not be used
8	2-EV5 shall not be used
9	3-EV5 shall not be used
All other bits	Reserved for future use

Note: 0x003F means all packet types may be used.

Retransmission_Effort:

Size: 1 octet

Value	Parameter Description
0x00	No retransmission
0x01	At least one retransmission, optimize for power consumption
0x02	At least one retransmission, optimize for link quality
0xFF	Don't care
All other values	Reserved for future use

Return parameters:

None.

Event(s) generated (unless masked away):

The HCI_Enhanced_Accept_Synchronous_Request command requests the local BR/EDR Controller to start setting up the connection. When this action commences, the HCI_Command_Status event shall be sent by the BR/EDR Controller. When the link setup is complete, the BR/EDR Controller shall send an HCI_Synchronous_Connection_Complete event to its Host, and the remote BR/EDR Controller will send an HCI_Synchronous_Connection_Complete event to its Host. The HCI_Synchronous_Connection_Complete will contain the Connection_Handle and the link parameters if the setup is successful.



7.1.47 Truncated Page command

Command	OCF	Command Parameters	Return Parameters
HCI_Truncated_Page	0x003F	BD_ADDR, Page_Scan_Repetition_Mode, Clock_Offset	none

Description:

The HCI_Truncated_Page command is used to page the BR/EDR Controller with the specified BD_ADDR and then abort the paging sequence after an ID response has been received. See [Vol 2] Part B, Section 8.3.3 for additional information.

The Page_Scan_Repetition_Mode parameter specifies the Page Scan Repetition mode supported by the remote BR/EDR Controller with the BD_ADDR. This is the most recent version of the information that was acquired either during the inquiry process or from an HCI_Page_Scan_Repetition_Mode_Change event (see Section 7.7.31).

The Clock_Offset parameter is the difference between the local BR/EDR Controller's own clock and the clock of the remote BR/EDR Controller with BD_ADDR. Only bits 2 to 16 of the difference are used, and they are mapped to this parameter as bits 0 to 14 respectively. A Clock_Offset_Valid_Flag, located in bit 15 of the Clock_Offset parameter, indicates if the Clock Offset is valid or not.

Command parameters:

BD_ADDR:

Size: 6 octets

Value	Parameter Description
0XXXXXXXXXXXXX	BD_ADDR of the Device to page

Page_Scan_Repetition_Mode:

Size: 1 octet

Value	Parameter Description
0x00	R0
0x01	R1
0x02	R2
All other values	Reserved for future use.

**Clock_Offset:****Size: 2 octets**

Bit Number	Parameter Description
0 to 14	Bits 2 to 16 of CLKNPeripheral - CLK
15	Clock Offset is valid

Return parameters:

None.

Event(s) generated (unless masked away):

When the BR/EDR Controller receives the HCI_Truncated_Page command the BR/EDR Controller shall send the HCI_Command_Status event to the Host. In addition, when the Truncated Page procedure has completed, the BR/EDR Controller shall send an HCI_Truncated_Page_Complete event to the Host.



7.1.48 Truncated Page Cancel command

Command	OCF	Command Parameters	Return Parameters
HCI_Truncated_Page_Cancel	0x0040	BD_ADDR	Status, BD_ADDR

Description:

The HCI_Truncated_Page_Cancel command is used to request cancellation of an ongoing Truncated_Page process previously started by an HCI_Truncated_Page command.

Command parameters:

BD_ADDR: *Size: 6 octets*

Value	Parameter Description
0xFFFFFFFFXXXX	BD_ADDR of the device to which the HCI_Truncated_Page command was previously issued and that is the subject of the cancellation request.

Return parameters:

Status: *Size: 1 octet*

Value	Parameter Description
0x00	HCI_Truncated_Page_Cancel command succeeded.
0x01 to 0xFF	HCI_Truncated_Page_Cancel command failed. See [Vol 1] Part F, Controller Error Codes , for error codes and descriptions

BD_ADDR: *Size: 6 octets*

Value	Parameter Description
0xFFFFFFFFXXXX	BD_ADDR of the device to which the HCI_Truncated_Page command was previously issued before and that is the subject of the cancellation request.

Event(s) generated (unless masked away):

When the HCI_Truncated_Page_Cancel command has completed, an HCI_Command_Complete event shall be generated.

If the truncated page procedure has already completed, but the BR/EDR Controller has not yet sent the HCI_Truncated_Page_Complete event, then the local device shall return an HCI_Command_Complete event with status "Success".



If the HCI_Truncated_Page_Cancel command is sent to the BR/EDR Controller without a pending HCI_Truncated_Page command to the same device, the BR/EDR Controller shall return an HCI_Command_Complete event with the error code *Unknown Connection Identifier (0x02)*.

Note: From the BR/EDR Controller perspective this is identical to the situation where the HCI_Truncated_Page command has already completed and the HCI_Truncated_Page_Complete event already sent.



7.1.49 Set Connectionless Peripheral Broadcast command

Command	OCF	Command Parameters	Return Parameters
HCI_Set_Connectionless_Peripheral_Broadcast	0x0041	Enable, LT_ADDR, LPO_Allowed, Packet_Type, Interval_Min, Interval_Max, Supervision_Timeout	Status, LT_ADDR, Interval

Description:

The HCI_Set_Connectionless_Peripheral_Broadcast command controls the Connectionless Peripheral Broadcast functionality in the BR/EDR Controller. Connectionless Peripheral Broadcast mode may be enabled or disabled by the Enable parameter. If Enable is set to 0x00 and the Synchronization Train substate is active, then the Controller shall also exit the Synchronization Train substate. If Enable is set to 0x01, the remaining parameters shall be ignored.

The LT_ADDR indicated in the Set_Connectionless_Peripheral_Broadcast shall be pre-allocated using the HCI_Set_Reserved_LT_ADDR command. If the LT_ADDR has not been reserved, the *Unknown Connection Identifier* (0x02) error code shall be returned. If the Controller is unable to reserve sufficient bandwidth for the requested activity, the *Connection Rejected Due to Limited Resources* (0x0D) error code shall be returned.

The LPO_Allowed parameter informs the BR/EDR Controller whether it is allowed to sleep.

The Packet_Type parameter specifies which packet types are allowed. The Host shall either enable BR packet types only, or shall enable EDR and DM1 packet types only.

The Interval_Min and Interval_Max parameters specify the range from which the BR/EDR Controller shall select the Connectionless Peripheral Broadcast Interval. The selected Interval is returned.

Command parameters:

Enable:

Size: 1 octet

Value	Parameter Description
0x00	Disabled
0x01	Enabled



Value	Parameter Description
All other values	Reserved for future use

LT_ADDR:

Size: 1 octet

Value	Parameter Description
0x01 to 0x07	LT_ADDR used for Connectionless Peripheral Broadcast
All other values	Reserved for future use

LPO_Allowed:

Size: 1 octet

Value	Parameter Description
0x00	BR/EDR Controller shall not sleep (that is, clock accuracy shall be equal to or better than ± 20 ppm)
0x01	BR/EDR Controller may sleep (that is, clock accuracy shall be equal to or better than ± 250 ppm)
All other values	Reserved for future use

Packet_Type:

Size: 2 octets

Bit Number	Parameter Description
1	2-DH1 shall not be used
2	3-DH1 shall not be used
3	DM1 may be used
4	DH1 may be used
8	2-DH3 shall not be used
9	3-DH3 shall not be used
10	DM3 may be used
11	DH3 may be used
12	2-DH5 shall not be used
13	3-DH5 shall not be used
14	DM5 may be used
15	DH5 may be used
All other bits	Reserved for future use.



Interval_Min:

Size: 2 octets

Value	Parameter Description
0xXXXX	Minimum interval between Connectionless Peripheral Broadcast packets in slots. Range: 0x0002 to 0xFFFE; only even values are valid

Interval_Max:

Size: 2 octets

Value	Parameter Description
0xXXXX	Maximum interval between Connectionless Peripheral Broadcast packets in slots. Range: 0x0002 to 0xFFFE; only even values are valid

Supervision_Timeout:

Size: 2 octets

Value	Parameter Description
0xXXXX	Duration in slots after which the BR/EDR Controller reports an HCI_Connectionless_Peripheral_Broadcast_Timeout event if it is unable to transmit a Connectionless Peripheral Broadcast packet. Range: 0x0002 to 0xFFFE; only even values are valid

Return parameters:

Status:

Size: 1 octet

Value	Parameter Description
0x00	HCI_Set_Connectionless_Peripheral_Broadcast command succeeded.
0x01 to 0xFF	HCI_Set_Connectionless_Peripheral_Broadcast command failed. See [Vol 1] Part F, Controller Error Codes, for error codes and descriptions.

LT_ADDR:

Size: 1 octet

Value	Parameter Description
0x01 to 0x07	LT_ADDR used for Connectionless Peripheral Broadcast
All other values	Reserved for future use

Interval:

Size: 2 octets

Value	Parameter Description
0xXXXX	Actual interval between Connectionless Peripheral Broadcast packets in slots. Range: 0x0002 to 0xFFFE; only even values are valid

**Event(s) generated (unless masked away):**

When the HCI_Set_Connectionless_Peripheral_Broadcast command has completed, an HCI_Command_Complete event shall be generated.

If the BR/EDR Controller is unable to transmit a Connectionless Peripheral Broadcast packet for *Supervision_Timeout* slots, it shall generate an HCI_Connectionless_Peripheral_Broadcast_Timeout event.



7.1.50 Set Connectionless Peripheral Broadcast Receive command

Command	OCF	Command Parameters	Return Parameters
HCI_Set_Connectionless_Peripheral_Broadcast_Receive	0x0042	Enable, BD_ADDR, LT_ADDR, Interval, Clock_Offset, Next_Connectionless_Peripheral_Broadcast_Clock, Supervision_Timeout, Remote_Timing_Accuracy, Skip, Packet_Type, AFH_Channel_Map	Status, BD_ADDR, LT_ADDR

Description:

The HCI_Set_Connectionless_Peripheral_Broadcast_Receive command controls the reception of Connectionless Peripheral Broadcast packets in the BR/EDR Controller of a Connectionless Peripheral Broadcast Receiver. If the Enable parameter is set to Disabled, the BR/EDR Controller does not attempt to receive Connectionless Peripheral Broadcast packets and the remaining parameters shall be ignored. If the Enable parameter is set to Enabled, the BR/EDR Controller starts attempting to receive Connectionless Peripheral Broadcast packets on the specified LT_ADDR.

The Interval parameter specifies the interval of the Connectionless Peripheral Broadcast to be used by the BR/EDR Controller.

The Skip parameter specifies the number of consecutive Connectionless Peripheral Broadcast instants which the receiver may skip after successfully receiving a Connectionless Peripheral Broadcast packet.

The Packet_Type parameter specifies which packet types are allowed. The Host shall either enable BR packet types only or shall enable EDR and DM1 packet types only.

The AFH_Channel_Map parameter is the AFH channel map used by the Transmitter for the PBD logical link, and is obtained by the Receiver’s Host from the HCI_Synchronization_Train_Received event.



Command parameters:

Enable: *Size: 1 octet*

Value	Parameter Description
0x00	Disabled
0x01	Enabled
All other values	Reserved for future use

BD_ADDR: *Size: 6 octets*

Value	Parameter Description
0XXXXXXXXXXXXX	BD_ADDR of the Connectionless Peripheral Broadcast transmitter

LT_ADDR: *Size: 1 octet*

Value	Parameter Description
0x01 to 0x07	LT_ADDR to use for receiving Connectionless Peripheral Broadcast messages
All other values	Reserved for future use

Interval: *Size: 2 octets*

Value	Parameter Description
0XXXXX	Interval between Connectionless Peripheral Broadcast packets instants in slots. Range: 0x0002 to 0xFFFE; only even values are valid

Clock_Offset: *Size: 4 octets (28 bits meaningful)*

Value	Parameter Description
0XXXXXXXX	$(\text{CLKN}_{\text{receiver}} - \text{CLKN}_{\text{transmitter}}) \bmod 2^{28}$

Next_Connectionless_Peripheral_Broadcast_Clock: *Size: 4 octets (28 bits meaningful)*

Value	Parameter Description
0XXXXXXXX	CLK for next Connectionless Peripheral Broadcast instant

Supervision_Timeout: *Size: 2 octets*

Value	Parameter Description
0XXXXX	Duration in slots to continue listening for Connectionless Peripheral Broadcast packets after the last successfully received Connectionless Peripheral Broadcast packet. Range: 0x0002 to 0xFFFE; only even values are valid



Remote_Timing_Accuracy:

Size: 1 octet

Value	Parameter Description
0xXX	Timing accuracy of the Transmitter in ppm. Typical values are 20 ppm and 250 ppm.

Skip:

Size: 1 octet

Value	Parameter Description
0xXX	Number of Connectionless Peripheral Broadcast instants to skip after successfully receiving a Broadcast packet.

Packet_Type:

Size: 2 octets

Bit Number	Parameter Description
1	2-DH1 shall not be used
2	3-DH1 shall not be used
3	DM1 may be used
4	DH1 may be used
8	2-DH3 shall not be used
9	3-DH3 shall not be used
10	DM3 may be used
11	DH3 may be used
12	2-DH5 shall not be used
13	3-DH5 shall not be used
14	DM5 may be used
15	DH5 may be used
All other bits	Reserved for future use.

AFH_Channel_Map:

Size: 10 octets (79 bits meaningful)

Value	Parameter Description
0XXXXXXXXX XXXXXXXXXX XX	<p>This parameter contains 80 1-bit fields.</p> <p>The n^{th} such field (in the range 0 to 78) contains the value for channel n:</p> <ul style="list-style-type: none"> 0: channel n is unused 1: channel n is used <p>The most significant bit (bit 79) is reserved for future use</p> <p>At least N_{min} channels shall be marked as used (see [Vol 2] Part B, Section 2.3.1)</p>



Return parameters:

Status:

Size: 1 octet

Value	Parameter Description
0x00	HCI_Set_Connectionless_Peripheral_Broadcast_Receive command succeeded.
0x01 to 0xFF	HCI_Set_Connectionless_Peripheral_Broadcast_Receive command failed. See [Vol 1] Part F, Controller Error Codes, for error codes and descriptions.

BD_ADDR:

Size: 6 octets

Value	Parameter Description
0XXXXXXXXXXXXX	BD_ADDR of the Connectionless Peripheral Broadcast transmitter

LT_ADDR:

Size: 1 octet

Value	Parameter Description
0x01 to 0x07	LT_ADDR used for receiving Connectionless Peripheral Broadcast messages
All other values	Reserved for future use

Event(s) generated (unless masked away):

When the HCI_Set_Connectionless_Peripheral_Broadcast_Receive command has been received, an HCI_Command_Complete event shall be generated. Completion of the HCI_Set_Connectionless_Peripheral_Broadcast_Receive command does not require reception of a Connectionless Peripheral Broadcast packet. If the BR/EDR Controller does not receive a Connectionless Peripheral Broadcast packet for *CPB_supervisionTO* slots, it shall generate an HCI_Connectionless_Peripheral_Broadcast_Timeout event.



7.1.51 Start Synchronization Train command

Command	OCF	Command Parameters	Return Parameters
HCI_Start_Synchronization_Train	0x0043	none	none

Description:

The HCI_Start_Synchronization_Train command controls the Synchronization Train functionality in the BR/EDR Controller. Connectionless Peripheral Broadcast mode shall be enabled on the BR/EDR Controller before this command may be used. If Connectionless Peripheral Broadcast mode is not enabled, the *Command Disallowed* (0x0C) error code shall be returned. After receiving this command and returning an HCI_Command_Status event, the Baseband starts attempting to send synchronization train packets containing information related to the enabled Connectionless Peripheral Broadcast packet timing.

Note: The AFH_Channel_Map used in the synchronization train packets is configured by the HCI_Set_AFH_Host_Channel_Classification command and the local channel classification in the BR/EDR Controller.

The synchronization train packets will be sent using the parameters specified by the latest HCI_Write_Synchronization_Train_Parameters command. The Synchronization Train will continue until *synchronization_trainTO* slots (as specified in the last HCI_Write_Synchronization_Train_Parameters command) have passed or until the Host disables the Connectionless Peripheral Broadcast logical transport.

Command parameters:

None.

Return parameters:

None

Event(s) generated (unless masked away):

When the BR/EDR Controller receives the HCI_Start_Synchronization_Train command, it shall send an HCI_Command_Status event to the Host.



7.1.52 Receive Synchronization Train command

Command	OCF	Command Parameters	Return Parameters
HCI_Receive_ Synchronization_Train	0x0044	BD_ADDR, Sync_Scan_Timeout, Sync_Scan_Window, Sync_Scan_Interval	<i>none</i>

Description:

The HCI_Receive_Synchronization_Train command requests synchronization with the specified Connectionless Peripheral Broadcast Transmitter. The Sync_Scan_Window parameter specifies the duration of each scan and the Sync_Scan_Interval parameter specifies the interval between the start of consecutive scan windows. An HCI_Synchronization_Train_Received event shall be sent if a synchronization train packet is received with a non-zero Connectionless Peripheral Broadcast LT_ADDR or if the BR/EDR Controller fails to receive a synchronization train packet for *synchronization_scanTO* slots.

Command parameters:

BD_ADDR:

Size: 6 octets

Value	Parameter Description
0XXXXXXXXXXXXX	BD_ADDR of the Connectionless Peripheral Broadcast transmitter

Sync_Scan_Timeout:

Size: 2 octets

Value	Parameter Description
0XXXXX	Duration in slots to search for the synchronization train Shall be greater than or equal to Sync_Scan_Window; only even values are valid

Sync_Scan_Window:

Size: 2 octets

Value	Parameter Description
0XXXXX	Duration in slots to listen for a synchronization train packet on a single frequency Range: 0x0022 to 0xFFFFC; only even values are valid

**Sync_Scan_Interval:****Size: 2 octets**

Value	Parameter Description
0xXXXX	Duration in slots between the start of consecutive scan windows Shall be greater than or equal to Sync_Scan_Window+0x0002; only even values are valid

Return parameters:

None.

Event(s) generated (unless masked away):

When the BR/EDR Controller receives the HCI_Receive_Synchronization_Train command, it shall send an HCI_Command_Status event to the Host. In addition, when the BR/EDR Controller receives, or fails to receive within the duration specified by *Sync_Scan_Timeout*, the synchronization train from the Connectionless Peripheral Broadcast transmitter, it shall send an HCI_Synchronization_Train_Received event to the Host.



7.1.53 Remote OOB Extended Data Request Reply command

Command	OCF	Command Parameters	Return Parameters
HCI_Remote_OOB_Extended_Data_Request_Reply	0x0045	BD_ADDR, C_192, R_192, C_256, R_256	Status, BD_ADDR

Description:

The HCI_Remote_OOB_Extended_Data_Request_Reply command is used to reply to an HCI_Remote_OOB_Data_Request event with the C and R values derived with the P-192 public key and the C and R values associated with the P-256 public key received via an OOB transfer from a remote device identified by BD_ADDR. If the C_192 and R_192 values are not present in the received OOB data from the remote device, the Host shall set C_192 and R_192 to zeros. If the C_256 and R_256 values are not present in the received OOB data from the remote device, the Host shall set C_256 and R_256 to zeros.

Command parameters:

BD_ADDR: *Size: 6 octets*

Value	Parameter Description
0XXXXXXXXXXXXX	BD_ADDR of remote device from which the C and R values were received

C_192: *Size: 16 octets*

Value	Parameter Description
0XXXXXXXXXXXXX XXXXXXXXXXXXX XXXXXXXXXX	Secure Simple Pairing Hash C derived from the P-192 public key.

R_192: *Size: 16 octets*

Value	Parameter Description
0XXXXXXXXXXXXX XXXXXXXXXXXXX XXXXXXXXXX	Secure Simple Pairing Randomizer associated with the P-192 public key.



C_256:

Size: 16 octets

Value	Parameter Description
0XXXXXXXXXXXXX XXXXXXXXXXXXX XXXXXXXXXXXXX	Secure Simple Pairing Hash C derived from the P-256 public key.

R_256:

Size: 16 octets

Value	Parameter Description
0XXXXXXXXXXXXX XXXXXXXXXXXXX XXXXXXXXXXXXX	Secure Simple Pairing Randomizer associated with the P-256 public key.

Return parameters:

Status:

Size: 1 octet

Value	Parameter Description
0x00	HCI_Remote_OOB_Extended_Data_Request_Reply command succeeded.
0x01 to 0xFF	HCI_Remote_OOB_Extended_Data_Request_Reply command failed. See [Vol 1] Part F, Controller Error Codes for a list of error codes and descriptions.

BD_ADDR:

Size: 6 octets

Value	Parameter Description
0XXXXXXXXXXXXX	BD_ADDR of remote device from which the C and R values were received

Event(s) generated (unless masked away):

When the HCI_Remote_OOB_Extended_Data_Request_Reply command has completed, an HCI_Command_Complete event shall be generated.



7.2 LINK POLICY COMMANDS

The Link Policy commands provide methods for the Host to affect how the Link Manager manages the piconet. When Link Policy commands are used, the LM still controls how Bluetooth piconets and scatternets are established and maintained, depending on adjustable policy parameters. These policy commands modify the Link Manager behavior that can result in changes to the Link Layer connections with Bluetooth remote devices.

Note: Only one ACL connection can exist between two BR/EDR Controllers, and therefore there can only be one ACL HCI Connection_Handle for each physical Link Layer Connection. The BR/EDR Controller provides policy adjustment mechanisms to provide support for a number of different policies. This capability allows one Bluetooth module to be used to support many different usage models, and the same Bluetooth module can be incorporated in many different types of BR/EDR Controllers.

For the Link Policy commands, the OGF is defined as 0x02.

7.2.1 Hold Mode command

Command	OCF	Command Parameters	Return Parameters
HCI_Hold_Mode	0x0001	Connection_Handle, Hold_Mode_Max_Interval, Hold_Mode_Min_Interval	<i>none</i>

Description:

The HCI_Hold_Mode command is used to alter the behavior of the Link Manager, and have it place the ACL Baseband connection associated by the specified Connection_Handle into the Hold mode. The Connection_Handle shall identify an ACL connection and not a SCO or eSCO connection. The Hold_Mode_Max_Interval and Hold_Mode_Min_Interval command parameters specify the length of time the Host wants to put the connection into the Hold mode. The local and remote devices will negotiate the length in the Hold mode. The Hold_Mode_Max_Interval parameter is used to specify the maximum length of the Hold interval for which the Host may actually enter into the Hold mode after negotiation with the remote device. The Hold interval defines the amount of time between when the Hold mode begins and when the Hold mode is completed. The Hold_Mode_Min_Interval parameter is used to specify the minimum length of the Hold interval for which the Host may actually enter into the Hold mode after the negotiation with the remote device. Therefore the Hold_Mode_Min_Interval shall not be greater than the Hold_Mode_Max_Interval. The BR/EDR Controller will return the actual Hold interval in the Interval parameter of the HCI_Mode_Change event, if the command is successful. This command enables the Host to support a low-power policy for itself or sev-



eral other BR/EDR Controllers, and allows the devices to enter Inquiry Scan, Page Scan, and a number of other possible actions.

Note: If the Host sends data to the BR/EDR Controller with a Connection_Handle corresponding to a connection in Hold mode, the BR/EDR Controller will keep the data in its buffers until either the data can be transmitted (the Hold mode has ended) or a flush, a flush timeout or a disconnection occurs. This is valid even if the Host has not yet been notified of the Hold mode through an HCI_Mode_Change event when it sends the data.

Note: The above is not valid for an HCI ACL Data packet sent from the Host to the BR/EDR Controller on the Central side where the Connection_Handle is a Connection_Handle used for broadcast and the Broadcast_Flag is set to Active Broadcast. The broadcast data will then never be received by Peripherals in Hold mode.

The Hold_Mode_Max_Interval shall be less than the Link Supervision Timeout configuration parameter.

Command parameters:

Connection_Handle: *Size: 2 octets (12 bits meaningful)*

Value	Parameter Description
0xXXXX	Connection_Handle Range: 0x0000 to 0x0EFF

Hold_Mode_Max_Interval: *Size: 2 octets*

Value	Parameter Description
N = 0xXXXX	Maximum acceptable number of Baseband slots to wait in Hold mode. Time Length of the Hold = N × 0.625 ms (1 Baseband slot) Range: 0x0002 to 0xFFFE; only even values are valid. Time Range: 1.25 ms to 40.9 s Mandatory Range: 0x0014 to 0x8000

Hold_Mode_Min_Interval: *Size: 2 octets*

Value	Parameter Description
N = 0xXXXX	Minimum acceptable number of Baseband slots to wait in Hold mode. Time Length of the Hold = N × 0.625 ms (1 Baseband slot) Range: 0x0002 to 0xFF00; only even values are valid Time Range: 1.25 ms to 40.9 s Mandatory Range: 0x0014 to 0x8000

**Return parameters:**

None.

Event(s) generated (unless masked away):

When the BR/EDR Controller receives the HCI_Hold_Mode command, the BR/EDR Controller shall send the HCI_Command_Status event to the Host. The HCI_Mode_Change event shall occur when the Hold mode has started and the HCI_Mode_Change event shall occur again when the Hold mode has completed for the specified Connection_Handle. The HCI_Mode_Change event signaling the end of the Hold mode is an estimation of the Hold mode ending if the event is for a remote BR/EDR Controller.



7.2.2 Sniff Mode command

Command	OCF	Command Parameters	Return Parameters
HCI_Sniff_Mode	0x0003	Connection_Handle, Sniff_Max_Interval, Sniff_Min_Interval, Sniff_Attempt, Sniff_Timeout	none

Description:

The HCI_Sniff_Mode command is used to alter the behavior of the Link Manager and have it place the ACL Baseband connection associated with the specified Connection_Handle into Sniff mode. The Connection_Handle command parameter is used to identify which ACL link connection is to be placed in Sniff mode and shall identify an ACL connection, not a SCO or eSCO, connection. The Sniff_Max_Interval and Sniff_Min_Interval command parameters are used to specify the requested acceptable maximum and minimum periods in Sniff mode. The Sniff_Min_Interval shall not be greater than the Sniff_Max_Interval. The sniff interval defines the amount of time between each consecutive sniff period. The BR/EDR Controller will return the actual sniff interval in the Interval parameter of the HCI_Mode_Change event, if the command is successful. For a description of the meaning of the Sniff_Attempt and Sniff_Timeout parameters, see [Vol 2] Part B, Section 8.7. Sniff_Attempt is there called $N_{sniff\ attempt}$ and Sniff_Timeout is called $N_{sniff\ timeout}$. This command enables the Host to support a low-power policy for itself or several other BR/EDR Controllers, and allows the devices to enter Inquiry Scan, Page Scan, and a number of other possible actions.

Note: If the Host sends data to the BR/EDR Controller with a Connection_Handle corresponding to a connection in Sniff mode, the BR/EDR Controller will keep the data in its buffers until either the data can be transmitted or a flush, a flush timeout or a disconnection occurs. This is valid even if the Host has not yet been notified of Sniff mode through an HCI_Mode_Change event when it sends the data.

Note: It is possible for the Central to transmit data to a Peripheral without exiting Sniff mode (see description in [Vol 2] Part B, Section 8.7).

Note: The above is not valid for an HCI ACL Data packet sent from the Host to the BR/EDR Controller on the Central side where the Connection_Handle is a Connection_Handle used for broadcast and the Broadcast_Flag is set to Active Broadcast. In that case, the broadcast data will only be received by a Peripheral in Sniff mode if that Peripheral happens to listen to the Central when the broadcast is made.

The Sniff_Max_Interval shall be less than the Link Supervision Timeout configuration parameter.



Command parameters:

Connection_Handle: *Size: 2 octets (12 bits meaningful)*

Value	Parameter Description
0xXXXX	Connection_Handle Range: 0x0000 to 0x0EFF

Sniff_Max_Interval: *Size: 2 octets*

Value	Parameter Description
N = 0xXXXX	Range: 0x0002 to 0xFFFE; only even values are valid Mandatory Range: 0x0006 to 0x0540 Time = N × 0.625 ms Time Range: 1.25 ms to 40.9 s

Sniff_Min_Interval: *Size: 2 octets*

Value	Parameter Description
N = 0xXXXX	Range: 0x0002 to 0xFFFE; only even values are valid Mandatory Range: 0x0006 to 0x0540 Time = N × 0.625 ms Time Range: 1.25 ms to 40.9 s

Sniff_Attempt: *Size: 2 octets*

Value	Parameter Description
N = 0xXXXX	Number of Baseband receive slots for sniff attempt. Length = N × 1.25 ms Range: 0x0001 to 0x7FFF Time Range: 1.25 ms to 40.9 s Mandatory Range for Controller: 1 to $T_{sniff}/2$

Sniff_Timeout: *Size: 2 octets*

Value	Parameter Description
N = 0xXXXX	Number of Baseband receive slots for sniff timeout. Length = N × 1.25 ms Range: 0x0000 to 0x7FFF Time Range: 0 ms to 40.9 s Mandatory Range for Controller: 0 to 0x0028

Return parameters:

None.

**Event(s) generated (unless masked away):**

When the BR/EDR Controller receives the HCI_Sniff_Mode command, the BR/EDR Controller shall send the HCI_Command_Status event to the Host. The HCI_Mode_Change event shall occur when Sniff mode has started for the specified Connection_Handle.



7.2.3 Exit Sniff Mode command

Command	OCF	Command Parameters	Return Parameters
HCI_Exit_Sniff_Mode	0x0004	Connection_Handle	none

Description:

The HCI_Exit_Sniff_Mode command is used to end Sniff mode for a Connection_Handle, which is currently in Sniff mode. The Connection_Handle shall identify an ACL connection and not a SCO or eSCO connection. The Link Manager will determine and issue the appropriate LMP commands to remove Sniff mode for the associated Connection_Handle.

Command parameters:

Connection_Handle: Size: 2 octets (12 bits meaningful)

Value	Parameter Description
0xXXXX	Connection_Handle Range: 0x0000 to 0x0EFF

Return parameters:

None.

Event(s) generated (unless masked away):

When BR/EDR Controller receives the HCI_Exit_Sniff_Mode command, the BR/EDR Controller shall send the HCI_Command_Status event to the Host. The HCI_Mode_Change event shall occur when Sniff mode has ended for the specified Connection_Handle.



7.2.4 [This section is no longer used]

7.2.5 [This section is no longer used]



7.2.6 QoS Setup command

Command	OCF	Command Parameters	Return Parameters
HCI_QoS_Setup	0x0007	Connection_Handle, Unused, Service_Type, Token_Rate, Peak_Bandwidth, Latency, Delay_Variation	none

Description:

The HCI_QoS_Setup command is used to specify Quality of Service parameters for a Connection_Handle. The Connection_Handle shall be a Connection_Handle for an ACL connection. These QoS parameter are the same parameters as L2CAP QoS. For more detail see [\[Vol 3\] Part A, Logical Link Control and Adaptation Protocol Specification](#). This allows the Link Manager to have all of the information about what the Host is requesting for each connection. The LM will determine if the QoS parameters can be met. BR/EDR Controllers that are both Peripherals and Centrals can use this command. When a device is a Peripheral, this command will trigger an LMP request to the Central to provide the Peripheral with the specified QoS as determined by the LM. When a device is a Central, this command is used to request a Peripheral to accept the specified QoS as determined by the LM of the Central. The Connection_Handle command parameter is used to identify for which connection the QoS request is requested.

The Unused parameter is reserved for future use.

Command parameters:

Connection_Handle: *Size: 2 octets (12 bits meaningful)*

Value	Parameter Description
0xXXXX	Connection_Handle Range: 0x0000 to 0x0EFF

Unused: *Size: 1 octet*

Value	Parameter Description
0x00	This value shall be used by the Host.
All other values	Reserved for future use.



Service_Type:

Size: 1 octet

Value	Parameter Description
0x00	No Traffic.
0x01	Best Effort.
0x02	Guaranteed.
All other values	Reserved for future use.

Token_Rate:

Size: 4 octets

Value	Parameter Description
0XXXXXXXX	Token Rate in octets per second.

Peak_Bandwidth:

Size: 4 octets

Value	Parameter Description
0XXXXXXXX	Peak Bandwidth in octets per second.

Latency:

Size: 4 octets

Value	Parameter Description
0XXXXXXXX	Latency in microseconds.

Delay_Variation:

Size: 4 octets

Value	Parameter Description
0XXXXXXXX	Delay Variation in microseconds.

Return parameters:

None.

Event(s) generated (unless masked away):

When the BR/EDR Controller receives the HCI_QoS_Setup command, the BR/EDR Controller shall send the HCI_Command_Status event to the Host. When the Link Manager has completed the LMP messages to establish the requested QoS parameters, the BR/EDR Controller shall send an HCI_QoS_Setup_Complete event to the Host, and the event may also be generated on the remote side if there was LMP negotiation. The values of the parameters of the HCI_QoS_Setup_Complete event may, however, be different on the initiating and the remote side. The HCI_QoS_Setup_Complete event returned by the BR/EDR Controller on the local side contains the status of this command, and returned QoS parameters describing the supported QoS for the connection.



Note: If the Link Manager performs an LMP transaction that involves the flow parameter values on the remote side, the remote Controller can send an HCI_Flow_Specification_Complete event or HCI_QoS_Setup_Complete event to the remote Host.



7.2.7 Role Discovery command

Command	OCF	Command Parameters	Return Parameters
HCI_Role_Discovery	0x0009	Connection_Handle	Status, Connection_Handle, Current_Role

Description:

The HCI_Role_Discovery command is used for a Host to determine which role the device is performing for a particular Connection_Handle. The Connection_Handle shall be a Connection_Handle for an ACL connection.

Command parameters:

Connection_Handle: *Size: 2 octets (12 bits meaningful)*

Value	Parameter Description
0xXXXX	Connection_Handle Range: 0x0000 to 0x0EFF

Return parameters:

Status: *Size: 1 octet*

Value	Parameter Description
0x00	HCI_Role_Discovery command succeeded
0x01 to 0xFF	HCI_Role_Discovery command failed. See [Vol 1] Part F, Controller Error Codes for a list of error codes and descriptions.

Connection_Handle: *Size: 2 octets (12 bits meaningful)*

Value	Parameter Description
0xXXXX	Connection_Handle Range: 0x0000 to 0x0EFF

Current_Role: *Size: 1 octet*

Value	Parameter Description
0x00	Current Role is Central for this Connection_Handle.
0x01	Current Role is Peripheral for this Connection_Handle.

Event(s) generated (unless masked away):

When the HCI_Role_Discovery command has completed, an HCI_Command_Complete event shall be generated.



7.2.8 Switch Role command

Command	OCF	Command Parameters	Return Parameters
HCI_Switch_Role	0x000B	BD_ADDR, Role	<i>none</i>

Description:

The HCI_Switch_Role command is used to switch the current BR/EDR role the device is performing for a particular connection with another specified BR/EDR Controller. The BD_ADDR command parameter indicates for which connection the role switch is to be performed and shall specify a BR/EDR Controller for which a connection already exists. The Role parameter indicates the requested new role that the local device performs.

If there is an (e)SCO connection between the local device and the device identified by the BD_ADDR parameter, an attempt to perform a role switch shall be rejected by the local device.

If the connection between the local device and the device identified by the BD_ADDR parameter is placed in Sniff mode, an attempt to perform a role switch shall be rejected by the local device.

Command parameters:

BD_ADDR: *Size: 6 octets*

Value	Parameter Description
0XXXXXXXXXXXXX	BD_ADDR for the connected device with which a role switch is to be performed.

Role: *Size: 1 octet*

Value	Parameter Description
0x00	Change own Role to Central for this BD_ADDR.
0x01	Change own Role to Peripheral for this BD_ADDR.

Return parameters:

None.

Event(s) generated (unless masked away):

When the BR/EDR Controller receives the HCI_Switch_Role command, the BR/EDR Controller shall send the HCI_Command_Status event to the Host. When the role switch is performed, an HCI_Role_Change event shall occur to indicate that the roles have been changed, and will be communicated to both Hosts. If no change is required, only the Controller on the local device shall



send the event. If a Baseband role switch is attempted but fails, the local Controller shall send the event and the remote Controller may send it.



7.2.9 Read Link Policy Settings command

Command	OCF	Command Parameters	Return Parameters
HCI_Read_Link_Policy_Settings	0x000C	Connection_Handle	Status, Connection_Handle, Link_Policy_Settings

Description:

This command will read the Link Policy setting for the specified Connection_Handle. The Connection_Handle shall be a Connection_Handle for an ACL connection. [Section 6.18](#).

Command parameters:

Connection_Handle: *Size: 2 octets (12 bits meaningful)*

Value	Parameter Description
0xXXXX	Connection_Handle Range: 0x0000 to 0x0EFF

Return parameters:

Status: *Size: 1 octet*

Value	Parameter Description
0x00	HCI_Read_Link_Policy_Settings command succeeded.
0x01 to 0xFF	HCI_Read_Link_Policy_Settings command failed. See [Vol 1] Part F, Controller Error Codes for a list of error codes and descriptions.

Connection_Handle: *Size: 2 octets (12 bits meaningful)*

Value	Parameter Description
0xXXXX	Connection_Handle Range: 0x0000 to 0x0EFF

Link_Policy_Settings: *Size: 2 octets*

Bit Number	Parameter Description
0	Enable Role Switch.
1	Enable Hold mode.
2	Enable Sniff mode.
All other bits	Reserved for future use.

**Event(s) generated (unless masked away):**

When the HCI_Read_Link_Policy_Settings command has completed, an HCI_Command_Complete event shall be generated.



7.2.10 Write Link Policy Settings command

Command	OCF	Command Parameters	Return Parameters
HCI_Write_Link_Policy_Settings	0x000D	Connection_Handle, Link_Policy_Settings	Status, Connection_Handle

Description:

This command writes the Link Policy setting for the specified Connection_Handle. The Connection_Handle shall be a Connection_Handle for an ACL connection. See [Section 6.18](#).

The default value is the value set by the HCI_Write_Default_Link_Policy_Settings command.

Command parameters:

Connection_Handle: *Size: 2 octets (12 bits meaningful)*

Value	Parameter Description
0xXXXX	Connection_Handle Range: 0x0000 to 0x0EFF

Link_Policy_Settings: *Size: 2 octets*

Bit Number	Parameter Description
0	Enable Role Switch.
1	Enable Hold mode.
2	Enable Sniff mode.
All other bits	Reserved for future use.

Return parameters:

Status: *Size: 1 octet*

Value	Parameter Description
0x00	HCI_Write_Link_Policy_Settings command succeeded.
0x01 to 0xFF	HCI_Write_Link_Policy_Settings command failed. See [Vol 1] Part F, Controller Error Codes for error codes and descriptions.

**Connection_Handle:****Size: 2 octets (12 bits meaningful)**

Value	Parameter Description
0xXXXX	Connection_Handle Range: 0x0000 to 0x0EFF

Event(s) generated (unless masked away):

When the HCI_Write_Link_Policy_Settings command has completed, an HCI_Command_Complete event shall be generated.



7.2.11 Read Default Link Policy Settings command

Command	OCF	Command Parameters	Return Parameters
HCI_Read_Default_Link_Policy_Settings	0x000E	none	Status, Default_Link_Policy_Settings

Description:

This command reads the Default Link Policy setting for all new BR/EDR connections.

Note: See the Link Policy Settings configuration parameter for more information. See [Section 6.18](#).

Command parameters:

None.

Return parameters:

Status: *Size: 1 octet*

Value	Parameter Description
0x00	HCI_Read_Link_Policy_Settings command succeeded
0x01 to 0xFF	HCI_Read_Link_Policy_Settings command failed. See [Vol 1] Part F, Controller Error Codes for a list of error codes and descriptions.

Default_Link_Policy_Settings: *Size: 2 octets*

Bit Number	Parameter Description
0	Enable Role Switch
1	Enable Hold mode
2	Enable Sniff mode
All other bits	Reserved for future use

Event(s) generated (unless masked away):

When the HCI_Read_Default_Link_Policy_Settings command has completed, an HCI_Command_Complete event shall be generated.



7.2.12 Write Default Link Policy Settings command

Command	OCF	Command Parameters	Return Parameters
HCI_Write_Default_Link_Policy_Settings	0x000F	Default_Link_Policy_Settings	Status

Description:

This command writes the Default Link Policy configuration value. The Default_Link_Policy_Settings parameter determines the initial value of the Link_Policy_Settings for all new BR/EDR connections.

Note: See the Link Policy Settings configuration parameter for more information. See [Section 6.18](#).

Command parameters:

Default_Link_Policy_Settings: *Size: 2 octets*

Bit Number	Parameter Description
0	Enable Role Switch
1	Enable Hold mode
2	Enable Sniff mode
All other bits	Reserved for future use

The default value is 0x0000.

Return parameters:

Status: *Size: 1 octet*

Value	Parameter Description
0x00	HCI_Write_Link_Policy_Settings command succeeded
0x01 to 0xFF	HCI_Write_Link_Policy_Settings command failed. See [Vol 1] Part F, Controller Error Codes for a list of error codes and descriptions.

Event(s) generated (unless masked away):

When the HCI_Write_Default_Link_Policy_Settings command has completed, an HCI_Command_Complete event will be generated.



7.2.13 Flow Specification command

Command	OCF	Command Parameters	Return Parameters
HCI_Flow_Specification	0x0010	Connection_Handle, Unused, Flow_Direction, Service_Type, Token_Rate, Token_Bucket_Size, Peak_Bandwidth, Access_Latency	<i>none</i>

Description:

The HCI_Flow_Specification command is used to specify the flow parameters for the traffic carried over the ACL connection identified by the Connection_Handle. The Connection_Handle shall be a Connection_Handle for an ACL connection. The Connection_Handle command parameter is used to identify for which connection the Flow Specification is requested. The flow parameters refer to the outgoing or incoming traffic of the ACL link, as indicated by the Flow_Direction field. The HCI_Flow_Specification command allows the Link Manager to have the parameters of the outgoing as well as the incoming flow for the ACL connection. The flow parameters are defined in the L2CAP specification [Vol 3 Part A, Section 5.3, Quality of Service (QoS) option]. The Link Manager will determine if the flow parameters can be supported. BR/EDR Controllers that are both Central and Peripheral can use this command.

The Unused parameter is reserved for future use.

Command parameters:

Connection_Handle: *Size: 2 octets (12 bits meaningful)*

Value	Parameter Description
0xXXXX	Connection_Handle Range: 0x0000 to 0x0EFF

Unused: *Size: 1 octet*

Value	Parameter Description
0x00	This value shall be used by the Host.
All other values	Reserved for future use.



Flow_Direction:

Size: 1 octet

Value	Parameter Description
0x00	Outgoing Flow i.e., traffic sent over the ACL connection
0x01	Incoming Flow i.e., traffic received over the ACL connection
All other values	Reserved for future use.

Service_Type:

Size: 1 octet

Value	Parameter Description
0x00	No Traffic
0x01	Best Effort
0x02	Guaranteed
All other values	Reserved for future use

Token_Rate:

Size: 4 octets

Value	Parameter Description
0xFFFFFFFF	Token Rate in octets per second

Token_Bucket_Size:

Size: 4 octets

Value	Parameter Description
0xFFFFFFFF	Token Bucket Size in octets

Peak_Bandwidth:

Size: 4 octets

Value	Parameter Description
0xFFFFFFFF	Peak Bandwidth in octets per second

Access_Latency:

Size: 4 octets

Value	Parameter Description
0xFFFFFFFF	Latency in microseconds

Return parameters:

None.

Event(s) generated (unless masked away):

When the Controller receives the HCI_Flow_Specification command, the BR/EDR Controller shall send the HCI_Command_Status event to the Host. When the Link Manager has determined if the Flow specification can be supported, the BR/EDR Controller on the local BR/EDR Controller shall send an



HCI_Flow_Specification_Complete event to the Host. The HCI_Flow_Specification_Complete event returned by the Controller on the local side contains the status of this command, and returned Flow parameters describing the supported QoS for the ACL connection.

Note: If the Link Manager performs an LMP transaction that involves the flow parameter values on the remote side, the remote Controller can send an HCI_Flow_Specification_Complete event or HCI_QoS_Setup_Complete event to the remote Host.



7.2.14 Sniff Subrating command

Command	OCF	Command Parameters	Return Parameters
HCI_Sniff_Subrating	0x0011	Connection_Handle, Max_Latency, Min_Remote_Timeout, Min_Local_Timeout	Status, Connection_Handle

Description:

The HCI_Sniff_Subrating command specifies the parameters for sniff subrating for a given link. The interval shall be determined from the sniff interval and the maximum subrate latency parameters from the command. The link may have smaller subrates and therefore lower latencies and longer timeouts than those specified. When the sniff subrate has been exchanged an HCI_Sniff_Subrating event shall be generated. If this command is used on a link in Sniff mode this shall cause sniff subrating to be negotiated at the Link Manager, otherwise sniff subrating shall be negotiated only after the device has entered Sniff mode.

The Connection_Handle shall be the primary Connection_Handle between the two devices.

The Maximum Latency parameter shall define the maximum allowed sniff subrate of the remote device.

If the Host does not write the sniff subrating parameters prior to sniff subrating being initiated by the Link Manager the default values shall be used.

Command parameters:

Connection_Handle: *Size: 2 octets (12 bits meaningful)*

Value	Parameter Description
0xXXXX	Connection_Handle Range: 0x0000 to 0x0EFF

Max_Latency: *Size: 2 octets*

Value	Parameter Description
N = 0xXXXX	The Maximum Latency parameter shall be used to calculate the maximum_sniff subrate that the remote device may use. Default: T _{sniff} Latency = N × 0.625 ms (1 Baseband slot) Range: 0x0002 to 0xFFFE Time Range: 1.25 ms to 40.9 s



Min_Remote_Timeout:

Size: 2 octets

Value	Parameter Description
N = 0xXXXX	Minimum sniff mode timeout ($T_{\text{sniff_mode_timeout}}$) that the remote device may use Default: 0x0000 Timeout = $N \times 0.625$ ms (1 Baseband slot) Range: 0x0000 to 0xFFFE Time Range: 0 s to 40.9 s

Min_Local_Timeout:

Size: 2 octets

Value	Parameter Description
N = 0xXXXX	Minimum sniff mode timeout ($T_{\text{sniff_mode_timeout}}$) that the local device may use. Default: 0x0000 Timeout = $N \times 0.625$ ms (1 Baseband slot) Range: 0x0000 to 0xFFFE Time Range: 0 s to 40.9 s

Return parameters:

Status:

Size: 1 octet

Value	Parameter Description
0x00	The HCI_Sniff_Subrating command succeeded.
0x01 to 0xFF	HCI_Sniff_Subrating command failed. See [Vol 1] Part F, Controller Error Codes for a list of error codes and descriptions.

Connection_Handle:

Size: 2 octets (12 bits meaningful)

Value	Parameter Description
0xXXXX	Connection_Handle Range: 0x0000 to 0x0EFF

Event(s) generated (unless masked away):

When the HCI_Sniff_Subrating command has been received by the BR/EDR Controller, an HCI_Command_Complete event shall be generated.

An HCI_Sniff_Subrating event shall occur when the sniff subrating has been negotiated for the specified Connection_Handle.



7.3 CONTROLLER & BASEBAND COMMANDS

The Controller & Baseband commands provide access and control to various capabilities of the Bluetooth hardware. These parameters provide control of BR/EDR Controllers and of the capabilities of the Link Manager and Baseband in the BR/EDR Controller and the Link Layer in an LE Controller. The Host can use these commands to modify the behavior of the local Controller.

For the HCI Control and Baseband commands, the OGF is defined as 0x03.

7.3.1 Set Event Mask command

Command	OCF	Command Parameters	Return Parameters
HCI_Set_Event_Mask	0x0001	Event_Mask	Status

Description:

The HCI_Set_Event_Mask command is used to control which events are generated by the HCI for the Host. If the bit in the Event_Mask is set to a one, then the event associated with that bit will be enabled. For an LE Controller, the “LE Meta event” bit in the event_mask shall enable or disable all LE events in the LE Meta event (see [Section 7.7.65](#)). The event mask allows the Host to control how much it is interrupted.

The Controller shall ignore those bits which are reserved for future use or represent events which it does not support. If the Host sets any of these bits to 1, the Controller shall act as if they were set to 0.

Command parameters:

Event_Mask:

Size: 8 octets

Bit	Parameter Description
0	Inquiry Complete event
1	Inquiry Result event
2	Connection Complete event
3	Connection Request event
4	Disconnection Complete event
5	Authentication Complete event
6	Remote Name Request Complete event
7	Encryption Change event [v1]
8	Change Connection Link Key Complete event
9	Link Key Type Changed event



Bit	Parameter Description
10	Read Remote Supported Features Complete event
11	Read Remote Version Information Complete event
12	QoS Setup Complete event
15	Hardware Error event
16	Flush Occurred event
17	Role Change event
19	Mode Change event
20	Return Link Keys event
21	PIN Code Request event
22	Link Key Request event
23	Link Key Notification event
24	Loopback Command event
25	Data Buffer Overflow event
26	Max Slots Change event
27	Read Clock Offset Complete event
28	Connection Packet Type Changed event
29	QoS Violation event
30	Previously used
31	Page Scan Repetition Mode Change event
32	Flow Specification Complete event
33	Inquiry Result with RSSI event
34	Read Remote Extended Features Complete event
43	Synchronous Connection Complete event
44	Synchronous Connection Changed event
45	Sniff Subrating event
46	Extended Inquiry Result event
47	Encryption Key Refresh Complete event
48	IO Capability Request event
49	IO Capability Response event
50	User Confirmation Request event
51	User Passkey Request event
52	Remote OOB Data Request event



Bit	Parameter Description
53	Simple Pairing Complete event
55	Link Supervision Timeout Changed event
56	Enhanced Flush Complete event
58	User Passkey Notification event
59	Keypress Notification event
60	Remote Host Supported Features Notification event
61	LE Meta event
All other bits	Reserved for future use

The value with all bits set to 0 indicates that no events are specified.
The default is for bits 0 to 44 (the value 0x0000 1FFF FFFF FFFF) to be set.

Return parameters:

Status:

Size: 1 octet

Value	Parameter Description
0x00	HCI_Set_Event_Mask command succeeded.
0x01 to 0xFF	HCI_Set_Event_Mask command failed. See [Vol 1] Part F, Controller Error Codes for error codes and descriptions.

Event(s) generated (unless masked away):

When the HCI_Set_Event_Mask command has completed, an HCI_Command_Complete event shall be generated.



7.3.2 Reset command

Command	OCF	Command Parameters	Return Parameters
HCI_Reset	0x0003	none	Status

Description:

The HCI_Reset command will reset the Controller and the Link Manager on the BR/EDR Controller or the Link Layer on an LE Controller. If the Controller supports both BR/EDR and LE then the HCI_Reset command shall reset the Link Manager, Baseband and Link Layer. The HCI_Reset command shall not affect the used HCI transport layer since the HCI transport layers may have reset mechanisms of their own. After the reset is completed, the current operational state will be lost, the Controller will enter standby mode and the Controller will automatically revert to the default values for the parameters for which default values are defined in the specification.

Note: The HCI_Reset command will not necessarily perform a hardware reset. This is implementation defined.

The Host shall not send additional HCI commands before the HCI_Command_Complete event related to the HCI_Reset command has been received.

Command parameters:

None.

Return parameters:

Status:

Size: 1 octet

Value	Parameter Description
0x00	HCI_Reset command succeeded, was received and will be executed.
0x01 to 0xFF	HCI_Reset command failed. See [Vol 1] Part F, Controller Error Codes for a list of error codes and descriptions.

Event(s) generated (unless masked away):

When the reset has been performed, an HCI_Command_Complete event shall be generated.



7.3.3 Set Event Filter command

Command	OCF	Command Parameters	Return Parameters
HCI_Set_Event_Filter	0x0005	Filter_Type, Filter_Condition_Type, Condition	Status

Description:

The HCI_Set_Event_Filter command is used by the Host to specify different event filters. The Host may issue this command multiple times to request various conditions for the same type of event filter and for different types of event filters. The event filters are used by the Host to specify items of interest, which allow the BR/EDR Controller to send only events which interest the Host. Only some of the events have event filters. By default (before this command has been issued after power-on or Reset) no filters are set, and the Auto_Accept_Flag is off (incoming connections are not automatically accepted). An event filter is added each time this command is sent from the Host and the Filter_Condition_Type is not equal to 0x00. (The old event filters will not be overwritten). To clear all event filters, the Filter_Type = 0x00 is used. The Auto_Accept_Flag will then be set to off. To clear event filters for only a certain Filter_Type, the Filter_Condition_Type = 0x00 is used.

The Inquiry Result filter allows the BR/EDR Controller to filter out HCI_Inquiry_Result, HCI_Inquiry_Result_with_RSSI, or HCI_Extended_Inquiry_Result events. The Inquiry Result filter allows the Host to specify that the BR/EDR Controller only sends Inquiry Results to the Host if the report meets one of the specified conditions set by the Host. For the Inquiry Result filter, the Host can specify one or more of the following Filter Condition Types:

1. Return responses from all devices during the Inquiry process
2. A device with a specific Class of Device responded to the Inquiry process
3. A device with a specific BD_ADDR responded to the Inquiry process

The Inquiry Result filter is used in conjunction with the HCI_Inquiry and HCI_Periodic_Inquiry_Mode commands.

The Connection Setup filter allows the Host to specify that the Controller only sends an HCI_Connection_Complete, HCI_Synchronous_Connection_Complete, or HCI_Connection_Request event to the Host if the event meets one of the specified conditions set by the Host. For the Connection Setup filter, the Host can specify one or more of the following Filter Condition Types:

1. Allow Connections from all devices
2. Allow Connections from a device with a specific Class of Device
3. Allow Connections from a device with a specific BD_ADDR



For each of these conditions, an `Auto_Accept_Flag` parameter allows the Host to specify what action should be done when the condition is met. The `Auto_Accept_Flag` allows the Host to specify if the incoming connection should be auto accepted (in which case the BR/EDR Controller will send a `HCI_Connection_Complete` event to the Host when an ACL or SCO connection is completed or an `HCI_Synchronous_Connection_Complete` event when an eSCO connection is completed) or if the Host should make the decision (in which case the BR/EDR Controller will send the `HCI_Connection_Request` event to the Host, to elicit a decision on the connection). If the `Auto_Accept_Flag` is off and the Host has masked the `HCI_Connection_Request` event, the Controller shall reject the connection attempt.

Note: Auto-accept does not override any requirement to reject a connection in this specification, such as the requirement in [\[Vol 2\] Part C, Section 4.5.1](#) to reject a SCO connection when AES-CCM encryption is in use.

If a synchronous connection is auto-accepted, then the default parameter settings of the `Accept_Synchronous_Connection_Request` command (see [Section 7.1.27](#)) should be used by the local Link Manager when negotiating the SCO or eSCO link parameters.

The Connection Setup filter is used in conjunction with the `HCI_Read/Write_Scan_Enable` commands. If the local device is in the process of a page scan, and is paged by another device which meets one on the conditions set by the Host, and the `Auto_Accept_Flag` is off for this device, then an `HCI_Connection_Request` event will be sent to the Host by the BR/EDR Controller. An `HCI_Connection_Complete` event will be sent later on after the Host has responded to the incoming connection attempt. In this same example, if the `Auto_Accept_Flag` is on, then an `HCI_Connection_Complete` event will be sent to the Host by the Controller. (No `HCI_Connection_Request` event will be sent in that case.)

The BR/EDR Controller will store these filters in volatile memory until the Host clears the event filters using the `HCI_Set_Event_Filter` command or until the `HCI_Reset` command is issued. The number of event filters the BR/EDR Controller can store is implementation dependent. If the Host tries to set more filters than the BR/EDR Controller can store, the BR/EDR Controller will return the error code *Memory Capacity Exceeded* (0x07) and the filter will not be installed.

Note: The Clear All Filters has no Filter Condition Types or Conditions.

Note: In the condition that a connection is auto accepted, an `HCI_Link_Key_Request` event and possibly also an `HCI_PIN_Code_Request` event and an `HCI_Link_Key_Notification` event could be sent to the Host by the Controller before the `HCI_Connection_Complete` event is sent.

If there is a contradiction between event filters, the latest set event filter will override older ones. An example is an incoming connection attempt where



more than one Connection Setup filter matches the incoming connection attempt, but the Auto-Accept_Flag has different values in the different filters.

Command parameters:

Filter_Type:

Size: 1 octet

Value	Parameter Description
0x00	Clear All Filters Note: In this case, the Filter_Condition_Type and Condition parameters should not be given; they should have a length of 0 octets. Filter_Type should be the only parameter.
0x01	Inquiry Result.
0x02	Connection Setup.
All other values	Reserved for future use.

Filter Condition Types: For each Filter Type one or more Filter Condition types exists.

Inquiry_Result_Filter_Condition_Type:

Size: 1 octet

Value	Parameter Description
0x00	Return responses from all devices during the Inquiry process. Note: A device may be reported to the Host in an HCI_Inquiry_Result, HCI_Inquiry_Result_with_RSSI, or HCI_Extended_Inquiry_Result event more than once during an inquiry or inquiry period depending on the implementation; see description in Section 7.1.1 and Section 7.1.3 .
0x01	A device with a specific Class of Device responded to the Inquiry process.
0x02	A device with a specific BD_ADDR responded to the Inquiry process.
All other values	Reserved for future use

Connection_Setup_Filter_Condition_Type:

Size: 1 octet

Value	Parameter Description
0x00	Allow Connections from all devices.
0x01	Allow Connections from a device with a specific Class of Device.
0x02	Allow Connections from a device with a specific BD_ADDR.
All other values	Reserved for future use.



Condition: For each Filter Condition Type defined for the Inquiry Result Filter and the Connection Setup Filter, zero or more Condition parameters are required – depending on the filter condition type and filter type.

Condition for Inquiry_Result_Filter_Condition_Type = 0x00

Condition: *Size: 0 octet*

Value	Parameter Description
	The Condition parameter is not used.

Condition for Inquiry_Result_Filter_Condition_Type = 0x01

Condition: *Size: 6 octets*

Class_Of_Device: *Size: 3 octets*

Value	Parameter Description
0x000000	Default, Return All Devices.
0xXXXXXX	<i>Class of Device</i> of Interest.

Class_Of_Device_Mask: *Size: 3 octets*

Value	Parameter Description
0xXXXXXX	Bit Mask used to determine which bits of the Class of Device parameter are 'don't care'. Zero-value bits in the mask indicate the 'don't care' bits of the Class of Device.

Condition for Inquiry_Result_Filter_Condition_Type = 0x02

Condition: *Size: 6 octets*

BD_ADDR: *Size: 6 octets*

Value	Parameter Description
0XXXXXXXXXXXXX	BD_ADDR of the Device of Interest

Condition for Connection_Setup_Filter_Condition_Type = 0x00

Condition: *Size: 1 octet*

Auto_Accept_Flag: *Size: 1 octet*

Value	Parameter Description
0x01	Do NOT Auto accept the connection. (Auto accept is off)
0x02	Do Auto accept the connection with role switch disabled. (Auto accept is on).



Value	Parameter Description
0x03	Do Auto accept the connection with role switch enabled. (Auto accept is on). Note: When auto accepting an incoming synchronous connection, no role switch will be performed. The value 0x03 of the Auto_Accept_Flag will then get the same effect as if the value had been 0x02.
All other values	Reserved for future use.

Condition for Connection_Setup_Filter_Condition_Type = 0x01

Condition:

Size: 7 octets

Class_Of_Device:

Size: 3 octets

Value	Parameter Description
0x000000	Default, Return All Devices.
0xXXXXXX	<i>Class of Device</i> of Interest.

Class_Of_Device_Mask:

Size: 3 octets

Value	Parameter Description
0xXXXXXX	Bit Mask used to determine which bits of the Class of Device parameter are 'don't care'. Zero-value bits in the mask indicate the 'don't care' bits of the Class of Device. Note: For an incoming SCO connection, if the Class of Device is unknown then the connection will be accepted.

Auto_Accept_Flag:

Size: 1 octet

Value	Parameter Description
0x01	Do NOT Auto accept the connection. (Auto accept is off)
0x02	Do Auto accept the connection with role switch disabled. (Auto accept is on).
0x03	Do Auto accept the connection with role switch enabled. (Auto accept is on). Note: When auto accepting an incoming synchronous connection, no role switch will be performed. The value 0x03 of the Auto_Accept_Flag will then get the same effect as if the value had been 0x02.
All other values	Reserved for future use.



Condition for Connection_Setup_Filter_Condition_Type = 0x02

Condition:

Size: 7 octets

BD_ADDR:

Size: 6 octets

Value	Parameter Description
0XXXXXXXXXXXXX	BD_ADDR of the Device of Interest.

Auto_Accept_Flag:

Size: 1 octet

Value	Parameter Description
0x01	Do NOT Auto accept the connection. (Auto accept is off)
0x02	Do Auto accept the connection with role switch disabled. (Auto accept is on).
0x03	Do Auto accept the connection with role switch enabled. (Auto accept is on). Note: When auto accepting an incoming synchronous connection, no role switch will be performed. The value 0x03 of the Auto_Accept_Flag will then get the same effect as if the value had been 0x02.
All other values	Reserved for future use.

Return parameters:

Status:

Size: 1 octet

Value	Parameter Description
0x00	HCI_Set_Event_Filter command succeeded.
0x01 to 0xFF	HCI_Set_Event_Filter command failed. See [Vol 1] Part F, Controller Error Codes for a list of error codes and descriptions.

Event(s) generated (unless masked away):

An HCI_Command_Complete event for this command shall occur when the Controller has enabled the filtering of events. When one of the conditions are met, a specific event shall occur.



7.3.4 Flush command

Command	OCF	Command Parameters	Return Parameters
HCI_Flush	0x0008	Connection_Handle	Status, Connection_Handle

Description:

The HCI_Flush command is used to discard all data that is currently pending for transmission in the Controller for the specified Connection_Handle, even if there currently are chunks of data that belong to more than one L2CAP packet in the Controller. Both automatically-flushable and non-automatically-flushable packets shall be discarded (see [Section 5.4.2](#)). After this, all data that is sent to the Controller for the same Connection_Handle will be discarded by the Controller until an HCI ACL Data packet with one of the start Packet_Boundary_Flag values (0x00 or 0x02) is received. When this happens, a new transmission attempt can be made.

This command, when used on a BR/EDR Controller, will allow higher-level software to control how long the Baseband should try to retransmit a Baseband packet for a Connection_Handle before all data that is currently pending for transmission in the Controller should be flushed.

Note: The HCI_Flush command is used for ACL connections only. In addition to the HCI_Flush command, the automatic flush timers (see [Section 7.3.29](#)) can be used to automatically flush an automatically-flushable L2CAP packet that is currently being transmitted after the specified flush timer has expired.

Command parameters:

Connection_Handle: *Size: 2 octets (12 bits meaningful)*

Value	Parameter Description
0xXXXX	Connection_Handle Range: 0x0000 to 0x0EFF

Return parameters:

Status: *Size: 1 octet*

Value	Parameter Description
0x00	HCI_Flush command succeeded.
0x01 to 0xFF	HCI_Flush command failed. See [Vol 1] Part F, Controller Error Codes for a list of error codes and descriptions.

**Connection_Handle:****Size: 2 octets (12 bits meaningful)**

Value	Parameter Description
0xXXXX	Connection_Handle Range: 0x0000 to 0x0EFF

Event(s) generated (unless masked away):

The HCI_Flush_Occurred event shall occur once the flush is completed. An HCI_Flush_Occurred event could be from an automatic Flush or could be caused by the Host issuing the HCI_Flush command. When the HCI_Flush command has completed, an HCI_Command_Complete event shall be generated, to indicate that the Host caused the Flush.



7.3.5 Read PIN Type command

Command	OCF	Command Parameters	Return Parameters
HCI_Read_PIN_Type	0x0009	<i>none</i>	Status, PIN_Type

Description:

The HCI_Read_PIN_Type command is used to read the PIN_Type configuration parameter. See [Section 6.13](#).

Command parameters:

None.

Return parameters:

Status:

Size: 1 octet

Value	Parameter Description
0x00	HCI_Read_PIN_Type command succeeded.
0x01 to 0xFF	HCI_Read_PIN_Type command failed. See [Vol 1] Part F, Controller Error Codes for a list of error codes and descriptions.

PIN_Type:

Size: 1 octet

Value	Parameter Description
0x00	Variable PIN.
0x01	Fixed PIN.

Event(s) generated (unless masked away):

When the HCI_Read_PIN_Type command has completed, an HCI_Command_Complete event will be generated.



7.3.6 Write PIN Type command

Command	OCF	Command Parameters	Return Parameters
HCI_Write_PIN_Type	0x000A	PIN_Type	Status

Description:

The HCI_Write_PIN_Type command is used to write the PIN Type configuration parameter. See [Section 6.13](#).

Command parameters:

PIN_Type:

Size: 1 octet

Value	Parameter Description
0x00	Variable PIN.
0x01	Fixed PIN.

Return parameters:

Status:

Size: 1 octet

Value	Parameter Description
0x00	HCI_Write_PIN_Type command succeeded.
0x01 to 0xFF	HCI_Write_PIN_Type command failed. See [Vol 1] Part F, Controller Error Codes for a list of error codes and descriptions.

Event(s) generated (unless masked away):

When the HCI_Write_PIN_Type command has completed, an HCI_Command_Complete event shall be generated.



7.3.7 [This section is no longer used]



7.3.8 Read Stored Link Key command

Command	OCF	Command Parameters	Return Parameters
HCI_Read_Stored_Link_Key	0x000D	BD_ADDR, Read_All	Status, Max_Num_Keys, Num_Keys_Read

Description:

The HCI_Read_Stored_Link_Key command provides the ability to read whether one or more link keys are stored in the BR/EDR Controller. The BR/EDR Controller can store a limited number of link keys for other BR/EDR Controllers. Link keys are shared between two BR/EDR Controllers, and are used for all security transactions between the two devices. The HCI_Read_Stored_Link_Key command shall not return the link key’s value. A Host device may have additional storage capabilities, which can be used to save additional link keys to be reloaded to the BR/EDR Controller when needed. The Read_All parameter is used to indicate if all of the stored Link Keys should be returned. If Read_All indicates that all Link Keys are to be returned, then the BD_ADDR command parameter shall be ignored. The BD_ADDR command parameter is used to identify which link key to read. The stored Link Keys are returned by one or more HCI_Return_Link_Keys events. See [Section 6.14](#).

Command parameters:

BD_ADDR: *Size: 6 octets*

Value	Parameter Description
0XXXXXXXXXXXXX	BD_ADDR for the stored link key to be read.

Read_All: *Size: 1 octet*

Value	Parameter Description
0x00	Return Link Key for specified BD_ADDR.
0x01	Return all stored Link Keys.
All other values	Reserved for future use.

Return parameters:

Status: *Size: 1 octet*

Value	Parameter Description
0x00	HCI_Read_Stored_Link_Key command succeeded.
0x01 to 0xFF	HCI_Read_Stored_Link_Key command failed. See [Vol 1] Part F, Controller Error Codes for error codes and descriptions.

**Max_Num_Keys:***Size: 2 octets*

Value	Parameter Description
0xXXXX	Total Number of Link Keys that the Controller can store. Range: 0x0000 to 0xFFFF

Num_Keys_Read:*Size: 2 octets*

Value	Parameter Description
0xXXXX	Number of Link Keys Read. Range: 0x0000 to 0xFFFF

Event(s) generated (unless masked away):

Zero or more instances of the HCI_Return_Link_Keys event shall occur after the command is issued. When there are no link keys stored, no HCI_Return_Link_Keys events will be returned. When there are link keys stored, the number of link keys returned in each HCI_Return_Link_Keys event is implementation specific. When the HCI_Read_Stored_Link_Key command has completed an HCI_Command_Complete event shall be generated.



7.3.9 Write Stored Link Key command

Command	OCF	Command Parameters	Return Parameters
HCI_Write_Stored_Link_Key	0x0011	Num_Keys_To_Write, BD_ADDR[i], Link_Key[i]	Status, Num_Keys_Written

Description:

The HCI_Write_Stored_Link_Key command provides the ability to write one or more link keys to be stored in the BR/EDR Controller. The BR/EDR Controller can store a limited number of link keys for other BR/EDR Controllers. If no additional space is available in the BR/EDR Controller then no additional link keys will be stored. If space is limited and if all the link keys to be stored will not fit in the limited space, then the order of the list of link keys without any error will determine which link keys are stored. Link keys at the beginning of the list will be stored first. The Num_Keys_Written parameter will return the number of link keys that were successfully stored. If no additional space is available, then the Host must delete one or more stored link keys before any additional link keys are stored. The link key replacement algorithm is implemented by the Host and not the BR/EDR Controller. Link keys are shared between two BR/EDR Controllers and are used for all security transactions between the two devices. A Host device may have additional storage capabilities, which can be used to save additional link keys to be reloaded to the BR/EDR Controller when needed. See [Section 6.14](#).

Note: Link Keys are only stored by issuing this command.

A Host in Secure Connections Only Mode should not store link keys in the Controller.

Command parameters:

Num_Keys_To_Write:

Size: 1 octet

Value	Parameter Description
0xXX	Number of Link Keys to Write. Range: 0x01 to 0x0B

BD_ADDR[i]:

Size: Num_Keys_To_Write × 6 octets

Value	Parameter Description
0XXXXXXXXXXXXX	BD_ADDR for the associated Link Key.



Link_Key[i]: *Size: Num_Keys_To_Write × 16 octets*

Value	Parameter Description
0XXXXXXXXXXXXX XXXXXXXXXXXXX XXXXXXXXXXXXX	Link Key for an associated BD_ADDR.

Return parameters:

Status: *Size: 1 octet*

Value	Parameter Description
0x00	HCI_Write_Stored_Link_Key command succeeded.
0x01 to 0xFF	HCI_Write_Stored_Link_Key command failed. See [Vol 1] Part F, Controller Error Codes for a list of error codes and descriptions.

Num_Keys_Written: *Size: 1 octet*

Value	Parameter Description
0xXX	Number of Link Keys successfully written. Range: 0x00 to 0x0B

Event(s) generated (unless masked away):

When the HCI_Write_Stored_Link_Key command has completed, an HCI_Command_Complete event shall be generated.



7.3.10 Delete Stored Link Key command

Command	OCF	Command Parameters	Return Parameters
HCI_Delete_Stored_Link_Key	0x0012	BD_ADDR, Delete_All	Status, Num_Keys_Deleted

Description:

The HCI_Delete_Stored_Link_Key command provides the ability to remove one or more of the link keys stored in the BR/EDR Controller. The BR/EDR Controller can store a limited number of link keys for other BR/EDR devices. Link keys are shared between two BR/EDR devices and are used for all security transactions between the two devices. The Delete_All parameter is used to indicate if all of the stored Link Keys should be deleted. If the Delete_All indicates that all Link Keys are to be deleted, then the BD_ADDR command parameter shall be ignored. This command provides the ability to negate all security agreements between two devices. The BD_ADDR command parameter is used to identify which link key to delete. If a link key is currently in use for a connection, then the link key will be deleted when all of the connections are disconnected. See [Section 6.14](#).

Command parameters:

BD_ADDR: *Size: 6 octets*

Value	Parameter Description
0XXXXXXXXXXXXX	BD_ADDR for the link key to be deleted.

Delete_All: *Size: 1 octet*

Value	Parameter Description
0x00	Delete only the Link Key for specified BD_ADDR.
0x01	Delete all stored Link Keys.
All other values	Reserved for future use.

Return parameters:

Status: *Size: 1 octet*

Value	Parameter Description
0x00	HCI_Delete_Stored_Link_Key command succeeded.
0x01 to 0xFF	HCI_Delete_Stored_Link_Key command failed. See [Vol 1] Part F, Controller Error Codes for error codes and descriptions.

*Num_Keys_Deleted:**Size: 2 octets*

Value	Parameter Description
0xXXXX	Number of Link Keys Deleted

Event(s) generated (unless masked away):

When the HCI_Delete_Stored_Link_Key command has completed, an HCI_Command_Complete event shall be generated.



7.3.11 Write Local Name command

Command	OCF	Command Parameters	Return Parameters
HCI_Write_Local_Name	0x0013	Local_Name	Status

Description:

The HCI_Write_Local_Name command provides the ability to modify the user-friendly name for the BR/EDR Controller. See [Section 6.23](#).

Command parameters:

Local_Name:

Size: 248 octets

Value	Parameter Description
	A UTF-8 encoded User-Friendly Descriptive Name for the device with type utf8{248} (see [Vol 1] Part E, Section 2.9.3).

Return parameters:

Status:

Size: 1 octet

Value	Parameter Description
0x00	HCI_Write_Local_Name command succeeded.
0x01 to 0xFF	HCI_Write_Local_Name command failed. See [Vol 1] Part F, Controller Error Codes for a list of error codes and descriptions.

Event(s) generated (unless masked away):

When the HCI_Write_Local_Name command has completed, an HCI_Command_Complete event shall be generated.



7.3.12 Read Local Name command

Command	OCF	Command Parameters	Return Parameters
HCI_Read_Local_Name	0x0014	none	Status, Local_Name

Description:

The HCI_Read_Local_Name command provides the ability to read the stored user-friendly name for the BR/EDR Controller. See [Section 6.23](#).

Command parameters:

None.

Return parameters:

Status:

Size: 1 octet

Value	Parameter Description
0x00	HCI_Read_Local_Name command succeeded
0x01 to 0xFF	HCI_Read_Local_Name command failed (see [Vol 1] Part F, Controller Error Codes for list of error codes).

Local_Name:

Size: 248 octets

Parameter Description
A UTF-8 encoded User Friendly Descriptive Name for the device with type utf8{248} (see [Vol 1] Part E, Section 2.9.3)

Event(s) generated (unless masked away):

When the HCI_Read_Local_Name command has completed an HCI_Command_Complete event shall be generated.



7.3.13 Read Connection Accept Timeout command

Command	OCF	Command Parameters	Return Parameters
HCI_Read_ - Connection_Accept_ - Timeout	0x0015	none	Status, Connection_Accept_ - Timeout

Description:

This command reads the value for the Connection_Accept_Timeout configuration parameter. See [Section 6.7](#).

Command parameters:

None.

Return parameters:

Status:

Size: 1 octet

Value	Parameter Description
0x00	HCI_Read_Connection_Accept_Timeout command succeeded.
0x01 to 0xFF	HCI_Read_Connection_Accept_Timeout command failed. See [Vol 1] Part F, Controller Error Codes for a list of error codes and descriptions.

Connection_Accept_Timeout:

Size: 2 octets

Value	Parameter Description
N = 0xXXXX	Connection Accept Timeout measured in number of BR/EDR Baseband slots. Interval Length = $N \times 0.625$ ms (1 Baseband slot) Range: 0x0001 to 0xB540 Time Range: 0.625 ms to 29 s

Event(s) generated (unless masked away):

When the HCI_Read_Connection_Timeout command has completed, an HCI_Command_Complete event shall be generated.



7.3.14 Write Connection Accept Timeout command

Command	OCF	Command Parameters	Return Parameters
HCI_Write_ - Connection_Accept_ - Timeout	0x0016	Connection_Accept_ - Timeout	Status

Description:

This command writes the value for the Connection_Accept_Timeout configuration parameter. See [Section 6.7](#).

Command parameters:

Connection_Accept_Timeout: *Size: 2 octets*

Value	Parameter Description
N = 0xXXXX	Connection Accept Timeout measured in number of BR/EDR Baseband slots. Interval Length = N × 0.625 ms (1 Baseband slot) Range: 0x0001 to 0xB540 Time Range: 0.625 ms to 29 s Default: 0x1FA0 Time = 5.06 s Mandatory Range for Controller: 0x00A0 to 0xB540

Return parameters:

Status: *Size: 1 octet*

Value	Parameter Description
0x00	HCI_Write_Connection_Accept_Timeout command succeeded.
0x01 to 0xFF	HCI_Write_Connection_Accept_Timeout command failed. See [Vol 1] Part F, Controller Error Codes for a list of error codes and descriptions.

Event(s) generated (unless masked away):

When the HCI_Write_Connection_Accept_Timeout command has completed, an HCI_Command_Complete event shall be generated.



7.3.15 Read Page Timeout command

Command	OCF	Command Parameters	Return Parameters
HCI_Read_Page_Timeout	0x0017	<i>none</i>	Status, Page_Timeout

Description:

This command reads the value for the Page_Timeout configuration parameter. See [Section 6.6](#).

Command parameters:

None.

Return parameters:

Status:

Size: 1 octet

Value	Parameter Description
0x00	HCI_Read_Page_Timeout command succeeded.
0x01 to 0xFF	HCI_Read_Page_Timeout command failed. See [Vol 1] Part F, Controller Error Codes for a list of error codes and descriptions.

Page_Timeout:

Size: 2 octets

Value	Parameter Description
N = 0xXXXX	Page Timeout measured in number of Baseband slots. Interval Length = $N \times 0.625$ ms (1 Baseband slot) Range: 0x0001 to 0xFFFF Time Range: 0.625 ms to 40.9 s

Event(s) generated (unless masked away):

When the HCI_Read_Page_Timeout command has completed, an HCI_Command_Complete event shall be generated.



7.3.16 Write Page Timeout command

Command	OCF	Command Parameters	Return Parameters
HCI_Write_Page_Timeout	0x0018	Page_Timeout	Status

Description:

This command writes the value for the Page_Timeout configuration parameter. See [Section 6.6](#).

Command parameters:

Page_Timeout: *Size: 2 octets*

Value	Parameter Description
N = 0xXXXX	Page Timeout measured in number of Baseband slots. Interval Length = N × 0.625 ms (1 Baseband slot) Range: 0x0001 to 0xFFFF Time Range: 0.625 ms to 40.9 s Default: 0x2000 Time = 5.12 s Mandatory Range for Controller: 0x0016 to 0xFFFF

Return parameters:

Status: *Size: 1 octet*

Value	Parameter Description
0x00	HCI_Write_Page_Timeout command succeeded.
0x01 to 0xFF	HCI_Write_Page_Timeout command failed. See [Vol 1] Part F, Controller Error Codes for a list of error codes and descriptions.

Event(s) generated (unless masked away):

When the HCI_Write_Page_Timeout command has completed, an HCI_Command_Complete event shall be generated.



7.3.17 Read Scan Enable command

Command	OCF	Command Parameters	Return Parameters
HCI_Read_Scan_Enable	0x0019	none	Status, Scan_Enable

Description:

This command reads the value for the Scan_Enable parameter configuration parameter. See [Section 6.1](#).

Command parameters:

None.

Return parameters:

Status:

Size: 1 octet

Value	Parameter Description
0x00	HCI_Read_Scan_Enable command succeeded.
0x01 to 0xFF	HCI_Read_Scan_Enable command failed. See [Vol 1] Part F, Controller Error Codes for a list of error codes and descriptions.

Scan_Enable:

Size: 1 octet

Value	Parameter Description
0x00	No Scans enabled.
0x01	Inquiry Scan enabled. Page Scan disabled.
0x02	Inquiry Scan disabled. Page Scan enabled.
0x03	Inquiry Scan enabled. Page Scan enabled.
All other values	Reserved for future use

Event(s) generated (unless masked away):

When the HCI_Read_Scan_Enable command has completed, an HCI_Command_Complete event shall be generated.



7.3.18 Write Scan Enable command

Command	OCF	Command Parameters	Return Parameters
HCI_Write_Scan_Enable	0x001A	Scan_Enable	Status

Description:

This command writes the value for the Scan_Enable configuration parameter. See [Section 6.1](#).

Command parameters:

Scan_Enable:

Size: 1 octet

Value	Parameter Description
0x00	No Scans enabled. Default.
0x01	Inquiry Scan enabled. Page Scan disabled.
0x02	Inquiry Scan disabled. Page Scan enabled.
0x03	Inquiry Scan enabled. Page Scan enabled.
All other values	Reserved for future use

Return parameters:

Status:

Size: 1 octet

Value	Parameter Description
0x00	HCI_Write_Scan_Enable command succeeded.
0x01 to 0xFF	HCI_Write_Scan_Enable command failed. See [Vol 1] Part F, Controller Error Codes for a list of error codes and descriptions.

Event(s) generated (unless masked away):

When the HCI_Write_Scan_Enable command has completed, an HCI_Command_Complete event shall be generated.



7.3.19 Read Page Scan Activity command

Command	OCF	Command Parameters	Return Parameters
HCI_Read_Page_Scan_Activity	0x001B	none	Status, Page_Scan_Interval, Page_Scan_Window

Description:

This command reads the value for Page_Scan_Interval and Page_Scan_Window configuration parameters. See [Section 6.8](#) and [Section 6.9](#).

Note: Page Scan is only performed when Page_Scan is enabled (see [6.1](#), [7.3.17](#) and [7.3.18](#)). A changed Page_Scan_Interval could change the local Page Scan Repetition Mode (see [\[Vol 2\] Part B, Section 8.3.1](#)).

Command parameters:

None.

Return parameters:

Status: *Size: 1 octet*

Value	Parameter Description
0x00	HCI_Read_Page_Scan_Activity command succeeded.
0x01 to 0xFF	HCI_Read_Page_Scan_Activity command failed. See [Vol 1] Part F, Controller Error Codes for a list of error codes and descriptions.

Page_Scan_Interval: *Size: 2 octets*

Value	Parameter Description
N = 0xXXXX	Range: 0x0012 to 0x1000 Time = N × 0.625 ms Range: 11.25 ms to 2560 ms; only even values are valid

Page_Scan_Window: *Size: 2 octets*

Value	Parameter Description
N = 0xXXXX	Range: 0x0011 to 0x1000 Time = N × 0.625 ms Range: 10.625 ms to 2560 ms

**Event(s) generated (unless masked away):**

When the HCI_Read_Page_Scan_Activity command has completed, an HCI_Command_Complete event shall be generated.



7.3.20 Write Page Scan Activity command

Command	OCF	Command Parameters	Return Parameters
HCI_Write_Page_Scan_Activity	0x001C	Page_Scan_Interval, Page_Scan_Window	Status

Description:

This command writes the values for the Page_Scan_Interval and Page_Scan_Window configuration parameters. The Page_Scan_Window shall be less than or equal to the Page_Scan_Interval. See [Section 6.8](#) and [Section 6.9](#).

Note: Page Scan is only performed when Page_Scan is enabled (see [6.1](#), [7.3.17](#) and [7.3.18](#)). A changed Page_Scan_Interval could change the local Page Scan Repetition Mode (see [\[Vol 2\] Part B, Section 8.3.1](#)).

Command parameters:

Page_Scan_Interval: *Size: 2 octets*

Value	Parameter Description
	See Section 6.8

Page_Scan_Window: *Size: 2 octets*

Value	Parameter Description
	See Section 6.9

Return parameters:

Status: *Size: 1 octet*

Value	Parameter Description
0x00	HCI_Write_Page_Scan_Activity command succeeded.
0x01 to 0xFF	HCI_Write_Page_Scan_Activity command failed. See [Vol 1] Part F, Controller Error Codes for a list of error codes and descriptions.

Event(s) generated (unless masked away):

When the HCI_Write_Page_Scan_Activity command has completed, an HCI_Command_Complete event shall be generated.



7.3.21 Read Inquiry Scan Activity command

Command	OCF	Command Parameters	Return Parameters
HCI_Read_Inquiry_Scan_Activity	0x001D	none	Status, Inquiry_Scan_Interval, Inquiry_Scan_Window

Description:

This command reads the value for Inquiry_Scan_Interval and Inquiry_Scan_Window configuration parameter. See [Section 6.2](#) and [Section 6.3](#).

Note: Inquiry Scan is only performed when Inquiry_Scan is enabled see [6.1](#), [7.3.17](#) and [7.3.18](#)).

Command parameters:

None.

Return parameters:

Status:

Size: 1 octet

Value	Parameter Description
0x00	HCI_Read_Inquiry_Scan_Activity command succeeded.
0x01 to 0xFF	HCI_Read_Inquiry_Scan_Activity command failed. See [Vol 1] Part F, Controller Error Codes for a list of error codes and descriptions.

Inquiry_Scan_Interval:

Size: 2 octets

Value	Parameter Description
N = 0xXXXX	Range: 0x0012 to 0x1000 Time = N × 0.625 ms Range: 11.25 to 2560 ms; only even values are valid

Inquiry_Scan_Window:

Size: 2 octets

Value	Parameter Description
N = 0xXXXX	Range: 0x0011 to 0x1000 Time = N × 0.625 ms Range: 10.625 ms to 2560 ms

Event(s) generated (unless masked away):

When the HCI_Read_Inquiry_Scan_Activity command has completed, an HCI_Command_Complete event shall be generated.



7.3.22 Write Inquiry Scan Activity command

Command	OCF	Command Parameters	Return Parameters
HCI_Write_Inquiry_Scan_Activity	0x001E	Inquiry_Scan_Interval, Inquiry_Scan_Window	Status

Description:

This command writes the values for the Inquiry_Scan_Interval and Inquiry_Scan_Window configuration parameters. The Inquiry_Scan_Window shall be less than or equal to the Inquiry_Scan_Interval. See [Section 6.2](#) and [Section 6.3](#).

Note: Inquiry Scan is only performed when Inquiry_Scan is enabled (see [6.1](#), [7.3.17](#) and [7.3.18](#)).

Command parameters:

Inquiry_Scan_Interval: *Size: 2 octets*

Value	Parameter Description
	See Section 6.2 .

Inquiry_Scan_Window: *Size: 2 octets*

Value	Parameter Description
	See Section 6.3 .

Return parameters:

Status: *Size: 1 octet*

Value	Parameter Description
0x00	HCI_Write_Inquiry_Scan_Activity command succeeded.
0x01 to 0xFF	HCI_Write_Inquiry_Scan_Activity command failed. See [Vol 1] Part F, Controller Error Codes for a list of error codes and descriptions.

Event(s) generated (unless masked away):

When the HCI_Write_Inquiry_Scan_Activity command has completed, an HCI_Command_Complete event shall be generated.



7.3.23 Read Authentication Enable command

Command	OCF	Command Parameters	Return Parameters
HCI_Read_ - Authentication_Enable	0x001F	<i>none</i>	Status, Authentication_Enable

Description:

This command reads the value for the Authentication_Enable configuration parameter. See [Section 6.16 Authentication Enable](#).

Command parameters:

None.

Return parameters:

Status:

Size: 1 octet

Value	Parameter Description
0x00	HCI_Read_Authentication_Enable command succeeded.
0x01 to 0xFF	HCI_Read_Authentication_Enable command failed. See [Vol 1] Part F, Controller Error Codes for a list of error codes and descriptions.

Authentication_Enable:

Size: 1 octet

Value	Parameter Description
0x00	Authentication not required.
0x01	Authentication required for all connections.
All other values	Reserved for future use

Event(s) generated (unless masked away):

When the HCI_Read_Authentication_Enable command has completed, an HCI_Command_Complete event shall be generated.



7.3.24 Write Authentication Enable command

Command	OCF	Command Parameters	Return Parameters
HCI_Write_ - Authentication_Enable	0x0020	Authentication_Enable	Status

Description:

This command writes the value for the Authentication_Enable configuration parameter. See [Section 6.16 Authentication Enable](#).

The Authentication_Enable configuration parameter shall only apply to connections (e.g. send an LMP_IN_RAND or LMP_AU_RAND) when the remote device’s Host or BR/EDR Controller does not support Secure Simple Pairing or when the local Host does not support Secure Simple Pairing.

Note: Requires LM to read Host features during connection setup.

Command parameters:

Authentication_Enable: *Size: 1 octet*

Value	Parameter Description
0x00	Authentication not required. Default.
0x01	Authentication required for all connections.
All other values	Reserved for future use

Return parameters:

Status: *Size: 1 octet*

Value	Parameter Description
0x00	HCI_Write_Authentication_Enable command succeeded.
0x01 to 0xFF	HCI_Write_Authentication_Enable command failed. See [Vol 1] Part F, Controller Error Codes for a list of error codes and descriptions.

Event(s) generated (unless masked away):

When the HCI_Write_Authentication_Enable command has completed, an HCI_Command_Complete event shall be generated.



7.3.25 Read Class of Device command

Command	OCF	Command Parameters	Return Parameters
HCI_Read_Class_Of_Device	0x0023	none	Status, Class_Of_Device

Description:

This command reads the value for the Class_Of_Device parameter. See [Section 6.26](#).

Command parameters:

None.

Return parameters:

Status:

Size: 1 octet

Value	Parameter Description
0x00	HCI_Read_Class_Of_Device command succeeded.
0x01 to 0xFF	HCI_Read_Class_Of_Device command failed. See [Vol 1] Part F, Controller Error Codes for a list of error codes and descriptions.

Class_Of_Device:

Size: 3 octets

Value	Parameter Description
0xXXXXXX	Class of Device for the device.

Event(s) generated (unless masked away):

When the HCI_Read_Class_Of_Device command has completed, an HCI_Command_Complete event shall be generated.



7.3.26 Write Class of Device command

Command	OCF	Command Parameters	Return Parameters
HCI_Write_Class_Of_Device	0x0024	Class_Of_Device	Status

Description:

This command writes the value for the Class_Of_Device parameter. See [Section 6.26](#).

Command parameters:

Class_Of_Device: *Size: 3 octets*

Value	Parameter Description
0xXXXXXX	Class of Device for the device.

Return parameters:

Status: *Size: 1 octet*

Value	Parameter Description
0x00	HCI_Write_Class_Of_Device command succeeded.
0x01 to 0xFF	HCI_Write_Class_Of_Device command failed. See [Vol 1] Part F, Controller Error Codes for a list of error codes and descriptions.

Event(s) generated (unless masked away):

When the HCI_Write_Class_Of_Device command has completed, an HCI_Command_Complete event shall be generated.



7.3.27 Read Voice Setting command

Command	OCF	Command Parameters	Return Parameters
HCI_Read_Voice_Setting	0x0025	none	Status, Voice_Setting

Description:

This command reads the values for the Voice_Setting configuration parameter. See [Section 6.12](#).

Command parameters:

None.

Return parameters:

Status:

Size: 1 octet

Value	Parameter Description
0x00	HCI_Read_Voice_Setting command succeeded.
0x01 to 0xFF	HCI_Read_Voice_Setting command failed. See [Vol 1] Part F, Controller Error Codes for a list of error codes and descriptions.

Voice_Setting:

Size: 2 octets (10 bits meaningful)

Value	Parameter Description
See Section 6.12 .	

Event(s) generated (unless masked away):

When the HCI_Read_Voice_Setting command has completed, an HCI_Command_Complete event shall be generated.



7.3.28 Write Voice Setting command

Command	OCF	Command Parameters	Return Parameters
HCI_Write_Voice_Setting	0x0026	Voice_Setting	Status

Description:

This command writes the values for the Voice_Setting configuration parameter. See [Section 6.12](#).

Command parameters:

Voice_Setting: *Size: 2 octets (10 bits meaningful)*

Value	Parameter Description
See Section 6.12 .	

Return parameters:

Status: *Size: 1 octet*

Value	Parameter Description
0x00	HCI_Write_Voice_Setting command succeeded.
0x01 to 0xFF	HCI_Write_Voice_Setting command failed. See [Vol 1] Part F, Controller Error Codes for a list of error codes and descriptions.

Event(s) generated (unless masked away):

When the HCI_Write_Voice_Setting command has completed, an HCI_Command_Complete event shall be generated.



7.3.29 Read Automatic Flush Timeout command

Command	OCF	Command Parameters	Return Parameters
HCI_Read_Automatic_Flush_Timeout	0x0027	Connection_Handle	Status, Connection_Handle, Flush_Timeout

Description:

This command reads the value for the Flush_Timeout parameter for the specified Connection_Handle. See [Section 6.19](#).

Command parameters:

Connection_Handle: *Size: 2 octets (12 bits meaningful)*

Value	Parameter Description
0xXXXX	Connection_Handle Range: 0x0000 to 0x0EFF

Return parameters:

Status: *Size: 1 octet*

Value	Parameter Description
0x00	HCI_Read_Automatic_Flush_Timeout command succeeded.
0x01 to 0xFF	HCI_Read_Automatic_Flush_Timeout command failed. See [Vol 1] Part F, Controller Error Codes for a list of error codes and descriptions.

Connection_Handle: *Size: 2 octets (12 bits meaningful)*

Value	Parameter Description
0xXXXX	Connection_Handle Range: 0x0000 to 0x0EFF

Flush_Timeout: *Size: 2 octets*

Value	Parameter Description
0x0000	Timeout = ∞; No Automatic Flush
N = 0xXXXX	Flush Timeout = N × 0.625 ms Range: 0x0001 to 0x07FF

Event(s) generated (unless masked away):

When the HCI_Read_Automatic_Flush_Timeout command has completed, an HCI_Command_Complete event shall be generated.



7.3.30 Write Automatic Flush Timeout command

Command	OCF	Command Parameters	Return Parameters
HCI_Write_Automatic_Flush_Timeout	0x0028	Connection_Handle, Flush_Timeout	Status, Connection_Handle

Description:

This command writes the value for the Flush_Timeout parameter for the specified Connection_Handle. See [Section 6.19](#).

Command parameters:

Connection_Handle: *Size: 2 octets (12 bits meaningful)*

Value	Parameter Description
0xXXXX	Connection_Handle Range: 0x0000 to 0x0EFF

Flush_Timeout: *Size: 2 octets*

Value	Parameter Description
0x0000	Timeout = ∞; No Automatic Flush. Default.
N = 0xXXXX	Flush Timeout = N × 0.625 ms Range: 0x0001 to 0x07FF Mandatory Range for Controller: 0x0002 to 0x07FF

Return parameters:

Status: *Size: 1 octet*

Value	Parameter Description
0x00	HCI_Write_Automatic_Flush_Timeout command succeeded.
0x01 to 0xFF	HCI_Write_Automatic_Flush_Timeout command failed. See [Vol 1] Part F, Controller Error Codes for a list of error codes and descriptions.

**Connection_Handle:****Size: 2 octets (12 bits meaningful)**

Value	Parameter Description
0xXXXX	Connection_Handle Range: 0x0000 to 0x0EFF

Event(s) generated (unless masked away):

When the HCI_Write_Automatic_Flush_Timeout command has completed, an HCI_Command_Complete event shall be generated.



7.3.31 Read Num Broadcast Retransmissions command

Command	OCF	Command Parameters	Return Parameters
HCI_Read_Num_Broadcast_Retransmissions	0x0029	none	Status, Num_Broadcast_Retransmissions

Description:

This command reads the device's parameter value for the Number of Broadcast Retransmissions. See [Section 6.20](#)

Command parameters:

None.

Return parameters:

Status:

Size: 1 octet

Value	Parameter Description
0x00	HCI_Read_Num_Broadcast_Retransmissions command succeeded.
0x01 to 0xFF	HCI_Read_Num_Broadcast_Retransmissions command failed. See [Vol 1] Part F, Controller Error Codes for a list of error codes and descriptions.

Num_Broadcast_Retransmissions:

Size: 1 octet

Value	Parameter Description
See Section 6.20 .	

Event(s) generated (unless masked away):

When the HCI_Read_Num_Broadcast_Retransmission command has completed, an HCI_Command_Complete event shall be generated.



7.3.32 Write Num Broadcast Retransmissions command

Command	OCF	Command Parameters	Return Parameters
HCI_Write_Num_Broadcast_Retransmissions	0x002A	Num_Broadcast_Retransmissions	Status

Description:

This command writes the device’s parameter value for the Number of Broadcast Retransmissions. See [Section 6.20](#).

Command parameters:

Num_Broadcast_Retransmissions: *Size: 1 octet*

Value	Parameter Description
	See Section 6.20 .

Return parameters:

Status: *Size: 1 octet*

Value	Parameter Description
0x00	HCI_Write_Num_Broadcast_Retransmissions command succeeded.
0x01 to 0xFF	HCI_Write_Num_Broadcast_Retransmissions command failed. See [Vol 1] Part F, Controller Error Codes for a list of error codes and descriptions.

Event(s) generated (unless masked away):

When the HCI_Write_Num_Broadcast_Retransmissions command has completed, an HCI_Command_Complete event shall be generated.



7.3.33 Read Hold Mode Activity command

Command	OCF	Command Parameters	Return Parameters
HCI_Read_Hold_Mode_Activity	0x002B	none	Status, Hold_Mode_Activity

Description:

This command reads the value for the Hold_Mode_Activity parameter. See [Section 6.16](#).

Command parameters:

None.

Return parameters:

Status:

Size: 1 octet

Value	Parameter Description
0x00	HCI_Read_Hold_Mode_Activity command succeeded.
0x01 to 0xFF	HCI_Read_Hold_Mode_Activity command failed. See [Vol 1] Part F, Controller Error Codes for a list of error codes and descriptions.

Hold_Mode_Activity:

Size: 1 octet

Value	Parameter Description
0x00	Maintain current Power State.
0x01	Suspend Page Scan.
0x02	Suspend Inquiry Scan.
0x04	Suspend Periodic Inquiries.
All other values	Reserved for future use.

Event(s) generated (unless masked away):

When the HCI_Read_Hold_Mode_Activity command has completed, an HCI_Command_Complete event shall be generated.



7.3.34 Write Hold Mode Activity command

Command	OCF	Command Parameters	Return Parameters
HCI_Write_Hold_Mode_Activity	0x002C	Hold_Mode_Activity	Status

Description:

This command writes the value for the Hold_Mode_Activity parameter. See [Section 6.16](#).

Command parameters:

Hold_Mode_Activity:

Size: 1 octet

Value	Parameter Description
0x00	Maintain current Power State. Default.
0x01	Suspend Page Scan.
0x02	Suspend Inquiry Scan.
0x04	Suspend Periodic Inquiries.
All other values	Reserved for future use.

Return parameters:

Status:

Size: 1 octet

Value	Parameter Description
0x00	HCI_Write_Hold_Mode_Activity command succeeded.
0x01 to 0xFF	HCI_Write_Hold_Mode_Activity command failed. See [Vol 1] Part F, Controller Error Codes for a list of error codes and descriptions.

Event(s) generated (unless masked away):

When the HCI_Write_Hold_Mode_Activity command has completed, an HCI_Command_Complete event shall be generated.



7.3.35 Read Transmit Power Level command

Command	OCF	Command Parameters	Return Parameters
HCI_Read_Transmit_Power_Level	0x002D	Connection_Handle, Type	Status, Connection_Handle, TX_Power_Level

Description:

This command reads the values for the TX_Power_Level parameter for the specified Connection_Handle. The Connection_Handle shall be a Connection_Handle for an ACL connection.

Command parameters:

Connection_Handle: *Size: 2 octets (12 bits meaningful)*

Value	Parameter Description
0xXXXX	Connection_Handle Range: 0x0000 to 0x0EFF

Type: *Size: 1 octet*

Value	Parameter Description
0x00	Read Current Transmit Power Level.
0x01	Read Maximum Transmit Power Level.
All other values	Reserved for future use

Return parameters:

Status: *Size: 1 octet*

Value	Parameter Description
0x00	HCI_Read_Transmit_Power_Level command succeeded.
0x01 to 0xFF	HCI_Read_Transmit_Power_Level command failed. See [Vol 1] Part F, Controller Error Codes for a list of error codes and descriptions.

Connection_Handle: *Size: 2 octets (12 bits meaningful)*

Value	Parameter Description
0xXXXX	Connection_Handle Range: 0x0000 to 0x0EFF

**TX_Power_Level:***Size: 1 octet*

Value	Parameter Description
0xXX	Range: -30 to 20 Units: dBm

Event(s) generated (unless masked away):

When the HCI_Read_Transmit_Power_Level command has completed, an HCI_Command_Complete event shall be generated.



7.3.36 Read Synchronous Flow Control Enable command

Command	OCF	Command Parameters	Return Parameters
HCI_Read_Synchronous_Flow_Control_Enable	0x002E	none	Status, Synchronous_Flow_Control_Enable

Description:

The HCI_Read_Synchronous_Flow_Control_Enable command provides the ability to read the Synchronous_Flow_Control_Enable parameter. See [Section 6.22](#).

The Synchronous_Flow_Control_Enable parameter shall only be changed if no connection exists.

Command parameters:

None.

Return parameters:

Status:

Size: 1 octet

Value	Parameter Description
0x00	HCI_Read_Synchronous_Flow_Control_Enable command succeeded
0x01 to 0xFF	HCI_Read_Synchronous_Flow_Control_Enable command failed (see [Vol 1] Part F, Controller Error Codes for list of error codes).

Synchronous_Flow_Control_Enable:

Size: 1 octet

Value	Parameter Description
0x00	Synchronous Flow Control is disabled. No HCI_Number_Of_Completed_Packets events will be sent from the Controller for synchronous Connection_Handles.
0x01	Synchronous Flow Control is enabled. HCI_Number_Of_Completed_Packets events will be sent from the Controller for synchronous Connection_Handles.

Event(s) generated (unless masked away):

When the HCI_Read_Synchronous_Flow_Control_Enable command has completed an HCI_Command_Complete event shall be generated.



7.3.37 Write Synchronous Flow Control Enable command

Command	OCF	Command Parameters	Return Parameters
HCI_Write_Synchronous_Flow_Control_Enable	0x002F	Synchronous_Flow_Control_Enable	Status

Description:

The HCI_Write_Synchronous_Flow_Control_Enable command provides the ability to write the Synchronous_Flow_Control_Enable parameter. See [Section 6.22](#).

The Synchronous_Flow_Control_Enable parameter can only be changed if no connections exist.

Command parameters:

Synchronous_Flow_Control_Enable: *Size: 1 octet*

Value	Parameter Description
0x00	Synchronous Flow Control is disabled. No HCI_Number_Of_Completed_Packets events shall be sent from the Controller for synchronous Connection_Handles. Default
0x01	Synchronous Flow Control is enabled. HCI_Number_Of_Completed_Packets events shall be sent from the Controller for synchronous Connection_Handles.

Return parameters:

Status: *Size: 1 octet*

Value	Parameter Description
0x00	HCI_Write_Synchronous_Flow_Control_Enable command succeeded
0x01 to 0xFF	HCI_Write_Synchronous_Flow_Control_Enable command failed (see [Vol 1] Part F, Controller Error Codes for list of error codes.)

Event(s) generated (unless masked away):

When the HCI_Write_Synchronous_Flow_Control_Enable command has completed an HCI_Command_Complete event shall be generated.



7.3.38 Set Controller To Host Flow Control command

Command	OCF	Command Parameters	Return Parameters
HCI_Set_Controller_To_Host_Flow_Control	0x0031	Flow_Control_Enable	Status

Description:

This command is used by the Host to turn flow control on or off for data and/or voice sent in the direction from the Controller to the Host. If flow control is turned off, the Host should not send the HCI_Host_Number_Of_Completed_Packets command. That command will be ignored by the Controller if it is sent by the Host and flow control is off. If flow control is turned on for HCI ACL Data packets and off for HCI Synchronous Data packets, HCI_Host_Number_Of_Completed_Packets commands sent by the Host should only contain Connection_Handles for ACL connections. If flow control is turned off for HCI ACL Data packets and on for HCI Synchronous Data packets, HCI_Host_Number_Of_Completed_Packets commands sent by the Host should only contain Connection_Handles for synchronous connections. If flow control is turned on for HCI ACL Data packets and HCI Synchronous Data packets, the Host will send HCI_Host_Number_Of_Completed_Packets commands both for ACL connections and synchronous connections.

The Flow_Control_Enable parameter shall only be changed if no connections exist.

Command parameters:

Flow_Control_Enable:

Size: 1 octet

Value	Parameter Description
0x00	Flow control off in direction from Controller to Host. Default.
0x01	Flow control on for HCI ACL Data packets and off for HCI Synchronous Data packets in direction from Controller to Host.
0x02	Flow control off for HCI ACL Data packets and on for HCI Synchronous Data packets in direction from Controller to Host.
0x03	Flow control on both for HCI ACL Data packets and HCI Synchronous Data packets in direction from Controller to Host.
All other values	Reserved for future use

**Return parameters:***Status:**Size: 1 octet*

Value	Parameter Description
0x00	HCI_Set_Controller_To_Host_Flow_Control command succeeded.
0x01 to 0xFF	HCI_Set_Controller_To_Host_Flow_Control command failed. See [Vol 1] Part F, Controller Error Codes for a list of error codes and descriptions.

Event(s) generated (unless masked away):

When the HCI_Set_Controller_To_Host_Flow_Control command has completed, an HCI_Command_Complete event shall be generated.



7.3.39 Host Buffer Size command

Command	OCF	Command Parameters	Return Parameters
HCI_Host_Buffer_Size	0x0033	Host_ACL_Data_Packet_Length, Host_Synchronous_Data_Packet_Length, Host_Total_Num_ACL_Data_Packets, Host_Total_Num_Synchronous_Data_Packets	Status

Description:

The HCI_Host_Buffer_Size command is used by the Host to notify the Controller about the maximum size of the data portion of HCI ACL and Synchronous Data packets sent from the Controller to the Host. The Controller shall segment the data to be transmitted from the Controller to the Host according to these sizes, so that the HCI Data packets will contain data with up to these sizes. The HCI_Host_Buffer_Size command also notifies the Controller about the total number of HCI ACL and Synchronous Data packets that can be stored in the data buffers of the Host. If flow control from the Controller to the Host is turned off, and the HCI_Host_Buffer_Size command has not been issued by the Host, this means that the Controller will send HCI Data packets to the Host with any lengths the Controller wants to use, and it is assumed that the data buffer sizes of the Host are unlimited. If flow control from the Controller to the Host is turned on, the HCI_Host_Buffer_Size command shall after a power-on or a reset always be sent by the Host before the first HCI_Host_Number_Of_Completed_Packets command is sent.

The [Set Controller To Host Flow Control command](#) is used to turn flow control on or off. The Host_ACL_Data_Packet_Length command parameter will be used to determine the size of the L2CAP segments contained in ACL Data packets, which are transferred from the Controller to the Host. The Host_Synchronous_Data_Packet_Length command parameter is used to determine the maximum size of HCI Synchronous Data packets. Both the Host and the Controller shall support command and event packets, where the data portion (excluding header) contained in the packets is 255 octets in size.

The Host_Total_Num_ACL_Data_Packets command parameter contains the total number of HCI ACL Data packets that can be stored in the data buffers of the Host. The Controller will determine how the buffers are to be divided between different Connection_Handles. The Host_Total_Num_Synchronous_Data_Packets command parameter gives the same information for HCI Synchronous Data packets. If the Host does not support SCO or eSCO over HCI, then it shall set Host_Total_Num_Synchronous_Data_Packets to zero, in which case the Controller shall ignore the Host_Synchronous_Data_Packet_Length parameter.



Note: The `Host_ACL_Data_Packet_Length` and `Host_Synchronous_Data_Packet_Length` command parameters do not include the length of the HCI ACL Data packet header or the HCI Synchronous Data packet header respectively.

Command parameters:

Host_ACL_Data_Packet_Length: *Size: 2 octets*

Value	Parameter Description
0xXXXX	Maximum length (in octets) of the data portion of each HCI ACL Data packet that the Host is able to accept. Range: 0x0001 to 0xFFFF

Host_Synchronous_Data_Packet_Length: *Size: 1 octet*

Value	Parameter Description
0xXX	Maximum length (in octets) of the data portion of each HCI Synchronous Data packet that the Host is able to accept. Range: 0x01 to 0xFF

Host_Total_Num_ACL_Data_Packets: *Size: 2 octets*

Value	Parameter Description
0xXXXX	Total number of HCI ACL Data packets that can be stored in the data buffers of the Host. Range: 0x0001 to 0xFFFF

Host_Total_Num_Synchronous_Data_Packets: *Size: 2 octets*

Value	Parameter Description
0x0000	The Host does not support SCO or eSCO over HCI.
0xXXXX	Total number of HCI Synchronous Data packets that can be stored in the data buffers of the Host.

Return parameters:

Status: *Size: 1 octet*

Value	Parameter Description
0x00	HCI_Host_Buffer_Size command succeeded.
0x01 to 0xFF	HCI_Host_Buffer_Size command failed. See [Vol 1] Part F, Controller Error Codes for a list of error codes and descriptions.

Event(s) generated (unless masked away):

When the `HCI_Host_Buffer_Size` command has completed, an `HCI_Command_Complete` event shall be generated.



7.3.40 Host Number Of Completed Packets command

Command	OCF	Command Parameters	Return Parameters
HCI_Host_Number_Of_Completed_Packets	0x0035	Num_Handles, Connection_Handle[i], Host_Num_Completed_Packets[i]	none

Description:

The HCI_Host_Number_Of_Completed_Packets command is used by the Host to indicate to the Controller the number of HCI Data packets that have been completed for each Connection_Handle since the previous HCI_Host_Number_Of_Completed_Packets command was sent to the Controller. This means that the corresponding buffer space has been freed in the Host and is available for new packets to be sent. Based on this information, and the Host_Total_Num_ACL_Data_Packets and Host_Total_Num_Synchronous_Data_Packets command parameters of the HCI_Host_Buffer_Size command, the Controller can determine for which Connection_Handles the following HCI Data packets should be sent to the Host. When the Host has completed one or more HCI Data packet(s) it shall send an HCI_Host_Number_Of_Completed_Packets command to the Controller, until it finally reports that all pending HCI Data packets have been completed. The frequency at which this command is sent is manufacturer specific.

The [Set Controller To Host Flow Control command](#) is used to turn flow control on or off. If flow control from the Controller to the Host is turned on, the HCI_Host_Buffer_Size command shall always be sent by the Host after a power-on or a reset before the first HCI_Host_Number_Of_Completed_Packets command is sent.

The HCI_Host_Number_Of_Completed_Packets command may be sent at any time by the Host when there is at least one connection, or if the Controller is in local loopback mode, independent of other commands. If the Host issues this command when neither of these cases applies, the Controller shall ignore it.

Command parameters:

Num_Handles:

Size: 1 octet

Value	Parameter Description
0xXX	The number of Connection_Handles and Host_Num_Completed_Packets parameters pairs contained in this command. Range: 0 to 255



Connection_Handle[i]: *Size: Num_Handles × 2 octets (12 bits meaningful)*

Value	Parameter Description
0xXXXX	Connection_Handle Range: 0x0000 to 0x0EFF

Host_Num_Completed_Packets[i]: *Size: Num_Handles × 2 octets*

Value	Parameter Description
0xXXXX	The number of HCI Data packets that have been completed for the associated Connection_Handle since the previous time the event was returned. Range: 0x0000 to 0xFFFF

Return parameters:

None.

Event(s) generated (unless masked away):

Normally, no event is generated after the HCI_Host_Number_Of_Completed_Packets command has completed. However, if the HCI_Host_Number_Of_Completed_Packets command contains one or more invalid parameters, the Controller shall return an HCI_Command_Complete event containing the error code *Invalid HCI Command Parameters* (0x12). The normal flow control for commands is not used for this command.



7.3.41 Read Link Supervision Timeout command

Command	OCF	Command Parameters	Return Parameters
HCI_Read_Link_Supervision_Timeout	0x0036	Handle	Status, Handle, Link_Supervision_Timeout

Description:

This command reads the value for the Link_Supervision_Timeout parameter for the Controller.

The Handle used for this command shall be the ACL connection to the appropriate device. See [Section 6.21](#).

Command parameters:

Handle: *Size: 2 octets (12 bits meaningful)*

Value	Parameter Description
0xXXXX	Specifies which Connection_Handle's Link Supervision Timeout value is to be read. The Handle is a Connection_Handle for a BR/EDR Controller. Range: 0x0000 to 0x0EFF

Return parameters:

Status: *Size: 1 octet*

Value	Parameter Description
0x00	HCI_Read_Link_Supervision_Timeout command succeeded.
0x01 to 0xFF	HCI_Read_Link_Supervision_Timeout command failed. See [Vol 1] Part F, Controller Error Codes for a list of error codes and descriptions.

Handle: *Size: 2 octets (12 bits meaningful)*

Value	Parameter Description
0xXXXX	Specifies which Connection_Handle's Link Supervision Timeout value was read. The Handle is a Connection_Handle for a BR/EDR Controller. Range: 0x0000 to 0x0EFF

**Link_Supervision_Timeout:**

Size: 2 octets

Value	Parameter Description
0x0000	No Link_Supervision_Timeout.
N = 0xXXXX	Measured in number of BR/EDR Baseband slots Link_Supervision_Timeout = N × 0.625 ms (1 Baseband slot) Range: 0x0001 to 0xFFFF Time Range: 0.625 ms to 40.9 s

Event(s) generated (unless masked away):

When the HCI_Read_Link_Supervision_Timeout command has completed, an HCI_Command_Complete event shall be generated.



7.3.42 Write Link Supervision Timeout command

Command	OCF	Command Parameters	Return Parameters
HCI_Write_Link_Supervision_Timeout	0x0037	Handle, Link_Supervision_Timeout	Status, Handle

Description:

This command writes the value for the Link_Supervision_Timeout parameter for a BR/EDR Controller. If the Host issues this command with a Connection_Handle where the Controller is the Peripheral, the Controller shall return the error code *Command Disallowed* (0x0C).

The Handle used for this command shall be the ACL connection to the appropriate device. This command will set the Link_Supervision_Timeout values for other Synchronous Handles to that device. See [Section 6.21](#).

Command parameters:

Handle: *Size: 2 octets (12 bits meaningful)*

Value	Parameter Description
0xXXXX	Specifies which Handle's Link Supervision Timeout value is to be written. The Handle is a Connection_Handle for a BR/EDR Controller. Range: 0x0000 to 0x0EFF

Link_Supervision_Timeout: *Size: 2 octets*

Value	Parameter Description
0x0000	No Link_Supervision_Timeout.
N = 0xXXXX	Measured in number of BR/EDR Baseband slots Link_Supervision_Timeout = N × 0.625 ms (1 Baseband slot) Range: 0x0001 to 0xFFFF Time Range: 0.625 ms to 40.9 s Default: 0x7D00 Link_Supervision_Timeout = 20 s Mandatory Range for Controller: 0x0190 to 0xFFFF; plus 0 for infinite timeout

**Return parameters:***Status:**Size: 1 octet*

Value	Parameter Description
0x00	HCI_Write_Link_Supervision_Timeout command succeeded.
0x01 to 0xFF	HCI_Write_Link_Supervision_Timeout command failed. See [Vol 1] Part F, Controller Error Codes for a list of error codes and descriptions.

*Handle:**Size: 2 octets (12 bits meaningful)*

Value	Parameter Description
0xXXXX	Specifies which Handle's Link Supervision Timeout value was written. The Handle is a Connection_Handle for a BR/EDR Controller. Range: 0x0000 to 0x0EFF

Event(s) generated (unless masked away):

When the HCI_Write_Link_Supervision_Timeout command has completed, an HCI_Command_Complete event shall be generated.



7.3.43 Read Number Of Supported IAC command

Command	OCF	Command Parameters	Return Parameters
HCI_Read_Number_Of_Supported_IAC	0x0038	<i>none</i>	Status, Num_Supported_ IAC

Description:

This command reads the value for the number of Inquiry Access Codes (IAC) that the local BR/EDR Controller can simultaneous listen for during an Inquiry Scan. All BR/EDR Controllers are required to support at least one IAC, the General Inquiry Access Code (the GIAC). Some BR/EDR Controllers support additional IACs.

Command parameters:

None.

Return parameters:

Status:

Size: 1 octet

Value	Parameter Description
0x00	HCI_Read_Number_Of_Supported_IAC command succeeded.
0x01 to 0xFF	HCI_Read_Number_Of_Supported_IAC command failed. See [Vol 1] Part F, Controller Error Codes for a list of error codes and descriptions.

Num_Supported_IAC:

Size: 1 octet

Value	Parameter Description
0xXX	Specifies the number of Supported IAC that the local BR/EDR Controller can simultaneous listen for during an Inquiry Scan. Range: 0x01 to 0x40

Event(s) generated (unless masked away):

When the HCI_Read_Number_Of_Supported_IAC command has completed, an HCI_Command_Complete event shall be generated.



7.3.44 Read Current IAC LAP command

Command	OCF	Command Parameters	Return Parameters
HCI_Read_Current_IAC_LAP	0x0039	none	Status, Num_Current_IAC, IAC_LAP[i]

Description:

This command reads the LAP(s) used to create the Inquiry Access Codes (IAC) that the local BR/EDR Controller is simultaneously scanning for during Inquiry Scans. All BR/EDR Controllers shall support at least one IAC, the General Inquiry Access Code (the GIAC). Some BR/EDR Controllers support additional IACs.

Command parameters:

None.

Return parameters:

Status:

Size: 1 octet

Value	Parameter Description
0x00	HCI_Read_Current_IAC_LAP command succeeded.
0x01 to 0xFF	HCI_Read_Current_IAC_LAP command failed. See [Vol 1] Part F, Controller Error Codes for a list of error codes and descriptions.

Num_Current_IAC:

Size: 1 octet

Value	Parameter Description
0xXX	Specifies the number of IACs which are currently in use by the local BR/EDR Controller to simultaneously listen for during an Inquiry Scan. Range: 0x01 to 0x40

IAC_LAP[i]:

Size: Num_Current_IAC × 3 octets

Value	Parameter Description
0XXXXXXXX	LAP used to create the IAC which is currently in use by the local BR/EDR Controller to simultaneously listen for during an Inquiry Scan. Range: 0x9E8B00 to 0x9E8B3F

Event(s) generated (unless masked away):

When the HCI_Read_Current_IAC_LAP command has completed, an HCI_Command_Complete event shall be generated.



7.3.45 Write Current IAC LAP command

Command	OCF	Command Parameters	Return Parameters
HCI_Write_Current_IAC_LAP	0x003A	Num_Current_IAC, IAC_LAP[i]	Status

Description:

This command writes the LAP(s) used to create the Inquiry Access Codes (IAC) that the local BR/EDR Controller is simultaneously scanning for during Inquiry Scans. All BR/EDR Controller shall support at least one IAC, the General Inquiry Access Code (the GIAC). Some BR/EDR Controllers support additional IACs.

This command shall clear any existing IACs and stores Num_Current_IAC and the IAC_LAPs in to the Controller. If Num_Current_IAC is greater than Num_Supported_IAC then only the first Num_Supported_IAC shall be stored in the Controller, and an HCI_Command_Complete event with error code *Success* (0x00) shall be generated.

Command parameters:

Num_Current_IAC: *Size: 1 octet*

Value	Parameter Description
0xXX	Specifies the number of IACs that will be used by the local BR/EDR Controller to simultaneously listen for during an Inquiry Scan. Range: 0x01 to 0x40

IAC_LAP[i]: *Size: Num_Current_IAC × 3 octets*

Value	Parameter Description
0XXXXXXXX	LAP that will be used to create the IACs that will be used by the local BR/EDR Controller to simultaneously listen for during an Inquiry Scan. Range: 0x9E8B00 to 0x9E8B3F. The default IAC(s) to be used shall be the GIAC and zero or more other IACs specified by the manufacturer.

Return parameters:

Status: *Size: 1 octet*

Value	Parameter Description
0x00	HCI_Write_Current_IAC_LAP command succeeded.
0x01 to 0xFF	HCI_Write_Current_IAC_LAP command failed. See [Vol 1] Part F, Controller Error Codes for a list of error codes and descriptions.

**Event(s) generated (unless masked away):**

When the HCI_Write_Current_IAC_LAP command has completed, an HCI_Command_Complete event shall be generated.



7.3.47 Read Inquiry Scan Type command

Command	OCF	Command Parameters	Return Parameters
HCI_Read_Inquiry_Scan_Type	0x0042	none	Status, Inquiry_Scan_Type

Description:

This command reads the Inquiry_Scan_Type configuration parameter from the local BR/EDR Controller. See [Section 6.4](#).

Command parameters:

None.

Return parameters:

Status:

Size: 1 octet

Value	Parameter Description
0x00	HCI_Read_Inquiry_Scan_Type command succeeded
0x01 to 0xFF	HCI_Read_Inquiry_Scan_Type command failed. See [Vol 1] Part F, Controller Error Codes for a list of error codes and descriptions.

Inquiry_Scan_Type:

Size: 1 octet

Value	Parameter Description
0x00	Standard Scan (default)
0x01	Interlaced Scan
All other values	Reserved for future use

Event(s) generated (unless masked away):

When the HCI_Read_Inquiry_Scan_Type command has completed, an HCI_Command_Complete event shall be generated.



7.3.48 Write Inquiry Scan Type command

Command	OCF	Command Parameters	Return Parameters
HCI_Write_Inquiry_Scan_Type	0x0043	Scan_Type	Status

Description:

This command writes the Inquiry Scan Type configuration parameter of the local BR/EDR Controller. See [Section 6.4](#).

Command parameters:

Scan_Type:

Size: 1 octet

Value	Parameter Description
0x00	Standard Scan (default)
0x01	Interlaced Scan
All other values	Reserved for future use

Return parameters:

Status:

Size: 1 octet

Value	Parameter Description
0x00	HCI_Write_Inquiry_Scan_Type command succeeded
0x01 to 0xFF	HCI_Write_Inquiry_Scan_Type command failed. See [Vol 1] Part F, Controller Error Codes for a list of error codes and descriptions.

Event(s) generated (unless masked away):

When the HCI_Write_Inquiry_Scan_Type command has completed, an HCI_Command_Complete event shall be generated.



7.3.49 Read Inquiry Mode command

Command	OCF	Command Parameters	Return Parameters
HCI_Read_Inquiry_Mode	0x0044	<i>none</i>	Status, Inquiry_Mode

Description:

This command reads the Inquiry_Mode configuration parameter of the local BR/EDR Controller. See [Section 6.5](#).

Command parameters:

None.

Return parameters:

Status:

Size: 1 octet

Value	Parameter Description
0x00	HCI_Read_Inquiry_Mode command succeeded.
0x01 to 0xFF	HCI_Read_Inquiry_Mode command failed. See [Vol 1] Part F, Controller Error Codes for list of error codes.

Inquiry_Mode:

Size: 1 octet

Value	Parameter Description
0x00	Standard Inquiry Result event format
0x01	Inquiry Result format with RSSI
0x02	Inquiry Result with RSSI format or Extended Inquiry Result format
All other values	Reserved for future use

Event(s) generated (unless masked away):

When the HCI_Read_Inquiry_Mode command has completed, an HCI_Command_Complete event shall be generated.



7.3.50 Write Inquiry Mode command

Command	OCF	Command Parameters	Return Parameters
HCI_Write_Inquiry_Mode	0x0045	Inquiry_Mode	Status

Description:

This command writes the Inquiry_Mode configuration parameter of the local BR/EDR Controller. See [Section 6.5](#).

Command parameters:

Inquiry_Mode:

Size: 1 octet

Value	Parameter Description
0x00	Standard Inquiry Result event format (default)
0x01	Inquiry Result format with RSSI
0x02	Inquiry Result with RSSI format or Extended Inquiry Result format
All other values	Reserved for future use

Return parameters:

Status:

Size: 1 octet

Value	Parameter Description
0x00	HCI_Write_Inquiry_Mode command succeeded.
0x01 to 0xFF	HCI_Write_Inquiry_Mode command failed. See [Vol 1] Part F, Controller Error Codes for a list of error codes and descriptions.

Event(s) generated (unless masked away):

When the HCI_Write_Inquiry_Mode command has completed, an HCI_Command_Complete event shall be generated.



7.3.51 Read Page Scan Type command

Command	OCF	Command Parameters	Return Parameters
HCI_Read_Page_Scan_Type	0x0046	none	Status, Page_Scan_Type

Description:

This command reads the Page Scan Type configuration parameter of the local BR/EDR Controller. See [Section 6.11](#).

Command parameters:

None.

Return parameters:

Status:

Size: 1 octet

Value	Parameter Description
0x00	HCI_Read_Page_Scan_Type command succeeded.
0x01 to 0xFF	HCI_Read_Page_Scan_Type command failed. See [Vol 1] Part F, Controller Error Codes for a list of error codes and descriptions

Page_Scan_Type:

Size: 1 octet

Value	Parameter Description
0x00	Mandatory: Standard Scan (default)
0x01	Optional: Interlaced Scan
All other values	Reserved for future use

Event(s) generated (unless masked away):

When the HCI_Read_Page_Scan_Type command has completed, an HCI_Command_Complete event shall be generated.



7.3.52 Write Page Scan Type command

Command	OCF	Command Parameters	Return Parameters
HCI_Write_Page_Scan_Type	0x0047	Page_Scan_Type	Status

Description:

This command writes the Page Scan Type configuration parameter of the local BR/EDR Controller. See [Section 6.11](#).

Command parameters:

Page_Scan_Type:

Size: 1 octet

Value	Parameter Description
0x00	Mandatory: Standard Scan (default)
0x01	Optional: Interlaced Scan
All other values	Reserved for future use

Return parameters:

Status:

Size: 1 octet

Value	Parameter Description
0x00	HCI_Write_Page_Scan_Type command succeeded.
0x01 to 0xFF	HCI_Write_Page_Scan_Type command failed. See [Vol 1] Part F, Controller Error Codes for a list of error codes and descriptions.

Event(s) generated (unless masked away):

When the HCI_Write_Page_Scan_Type command has completed, an HCI_Command_Complete event shall be generated.



7.3.53 Read AFH Channel Assessment Mode command

Command	OCF	Command Parameters	Return Parameters
HCI_Read_AFH_Channel_Assessment_Mode	0x0048	none	Status, AFH_Channel_Assessment_Mode

Description:

The HCI_Read_AFH_Channel_Assessment_Mode command reads the value for the AFH_Channel_Assessment_Mode parameter. The AFH_Channel_Assessment_Mode parameter controls whether the Controller’s channel assessment scheme is enabled or disabled.

Command parameters:

None.

Return parameters:

Status: *Size: 1 octet*

Value	Parameter Description
0x00	HCI_Read_AFH_Channel_Assessment_Mode command succeeded.
0x01 to 0xFF	HCI_Read_AFH_Channel_Assessment_Mode command failed. See [Vol 1] Part F, Controller Error Codes for a list of error codes and descriptions.

AFH_Channel_Assessment_Mode: *Size: 1 octet*

Value	Parameter Description
0x00	Controller channel assessment disabled.
0x01	Controller channel assessment enabled.
All other values	Reserved for future use.

Event(s) generated (unless masked away):

When the HCI_Read_AFH_Channel_Assessment_Mode command has completed, an HCI_Command_Complete event shall be generated.



7.3.54 Write AFH Channel Assessment Mode command

Command	OCF	Command Parameters	Return Parameters
HCI_Write_AFH_Channel_Assessment_Mode	0x0049	AFH_Channel_Assessment_Mode	Status

Description:

The HCI_Write_AFH_Channel_Assessment_Mode command writes the value for the AFH_Channel_Assessment_Mode parameter. The AFH_Channel_Assessment_Mode parameter controls whether the Controller’s channel assessment scheme is enabled or disabled.

Disabling channel assessment forces all channels to be unknown in the local classification for the BR/EDR physical transport, but does not affect the AFH_reporting_mode or support for the HCI_Set_AFH_Host_Channel_Classification command. A BR/EDR Peripheral in the AFH_reporting_enabled state shall continue to send LMP channel classification messages for any changes to the channel classification caused by either this command (altering the AFH_Channel_Assessment_Mode) or HCI_Set_AFH_Host_Channel_Classification command (providing a new channel classification from the Host).

Disabling channel assessment also forces all channels to be unknown in the local classification for the LE physical transport. If channel classification reporting is enabled by the Central, then the following rules apply to the Peripheral:

- Irrespective of whether channel assessment is enabled or disabled by the Host, the Controller shall continue to send LL_CHANNEL_STATUS_IND PDUs for any changes to the channel classification caused by the HCI_LE_Set_Host_Channel_Classification command.
- If channel assessment has been enabled by the Host, the Controller shall send LL_CHANNEL_STATUS_IND PDUs for any changes to the channel classification caused by the HCI_LE_Set_Host_Channel_Classification command and for any changes reported by the channel assessment scheme.
- The Controller shall send an LL_CHANNEL_STATUS_IND PDU whenever the channel classification changes because this command changes the channel assessment mode.

If the AFH_Channel_Assessment_Mode parameter is enabled and the Controller does not support a channel assessment scheme, other than via the HCI_Set_AFH_Host_Channel_Classification command (for BR/EDR) or via the HCI_LE_Set_Host_Channel_Classification command (for LE), then a Status parameter of ‘Channel Assessment Not Supported’ should be returned. See [Part F, Controller Error Codes](#) for a list of error codes and descriptions.



If the Controller supports a channel assessment scheme then the default AFH_Channel_Assessment_Mode is enabled, otherwise the default is disabled.

Command parameters:

AFH_Channel_Assessment_Mode:

Size: 1 octet

Value	Parameter Description
0x00	Controller channel assessment disabled.
0x01	Controller channel assessment enabled.
All other values	Reserved for future use.

Return parameters:

Status:

Size: 1 octet

Value	Parameter Description
0x00	HCI_Write_AFH_Channel_Assessment_Mode command succeeded.
0x01 to 0xFF	HCI_Write_AFH_Channel_Assessment_Mode command failed. See [Vol 1] Part F, Controller Error Codes for a list of error codes and descriptions.

Event(s) generated (unless masked away):

When the HCI_Write_AFH_Channel_Assessment_Mode command has completed, an HCI_Command_Complete event shall be generated.



7.3.55 Read Extended Inquiry Response command

Command	OCF	Command Parameters	Return Parameters
HCI_Read_Extended_Inquiry_Response	0x0051	none	Status, FEC_Required, Extended_Inquiry_Response

Description:

The HCI_Read_Extended_Inquiry_Response command reads the extended inquiry response to be sent during the extended inquiry response procedure. The FEC_Required parameter states if FEC encoding is required.

Command parameters:

None.

Return parameters:

Status:

Size: 1 octet

Value	Parameter Description
0x00	HCI_Read_Extended_Inquiry_Response command succeeded.
0x01 to 0xFF	HCI_Read_Extended_Inquiry_Response command failed. See [Vol 1] Part F, Controller Error Codes for a list of error codes and descriptions.

FEC_Required:

Size: 1 octet

Value	Parameter Description
0x00	FEC is not required
0x01	FEC is required
All other values	Reserved for future use

Extended_Inquiry_Response:

Size: 240 octets

Value	Parameter Description
	Extended inquiry response data as defined in [Vol 3] Part C, Section 8.

Event(s) generated (unless masked away):

When the HCI_Read_Extended_Inquiry_Response command has completed, an HCI_Command_Complete event shall be generated.



7.3.56 Write Extended Inquiry Response command

Command	OCF	Command Parameters	Return Parameters
HCI_Write_Extended_Inquiry_Response	0x0052	FEC_Required, Extended_Inquiry_Response	Status

Description:

The HCI_Write_Extended_Inquiry_Response command writes the extended inquiry response to be sent during the extended inquiry response procedure. The Controller shall not modify or use the extended inquiry response data for any other purpose except removing some or all of the non-significant part. The FEC_Required command parameter states if FEC encoding is required. The extended inquiry response data is not preserved over a reset. The initial value of the inquiry response data is all zero octets.

Command parameters:

FEC_Required:

Size: 1 octet

Value	Parameter Description
0x00	FEC is not required
0x01	FEC is required
All other values	Reserved for future use

Extended_Inquiry_Response:

Size: 240 octets

Value	Parameter Description
	Extended inquiry response data as defined in [Vol 3] Part C, Section 8 .
	All octets zero (default).

Return parameters:

Status:

Size: 1 octet

Value	Parameter Description
0x00	HCI_Write_Extended_Inquiry_Response command succeeded
0x01 to 0xFF	HCI_Write_Extended_Inquiry_Response command failed. See [Vol 1] Part F, Controller Error Codes for a list of error codes and descriptions.

Event(s) generated (unless masked away):

When the HCI_Write_Extended_Inquiry_Response command has completed, an HCI_Command_Complete event shall be generated.



7.3.57 Refresh Encryption Key command

Command	OCF	Command Parameters	Return Parameters
HCI_Refresh_Encryption_Key	0x0053	Connection_Handle	<i>none</i>

Description:

This command is used by the Host to cause the BR/EDR Controller to refresh the encryption key on an ACL connection identified by a Connection_Handle by pausing and resuming encryption.

Command parameters:

Connection_Handle: *Size: 2 octets (12 bits meaningful)*

Value	Parameter Description
0xXXXX	Connection_Handle Range: 0x0000 to 0x0EFF

Return parameters:

None.

Event(s) generated (unless masked away):

An HCI_Command_Status event is sent from the BR/EDR Controller to the Host when the Controller has started the Refresh Encryption Key procedure. An HCI_Encryption_Key_Refresh_Complete event shall be generated when the Refresh Encryption Key procedure has completed.



7.3.58 Read Simple Pairing Mode command

Command	OCF	Command Parameters	Return Parameters
HCI_Read_Simple_Pairing_Mode	0x0055	none	Status, Simple_Pairing_Mode

Description:

This command reads the Simple_Pairing_Mode parameter in the BR/EDR Controller.

Command parameters:

None.

Return parameters:

Status:

Size: 1 octet

Value	Parameter Description
0x00	HCI_Read_Simple_Pairing_Mode command succeeded.
0x01 to 0xFF	HCI_Read_Simple_Pairing_Mode command failed. See [Vol 1] Part F, Controller Error Codes for a list of error codes and descriptions.

Simple_Pairing_Mode:

Size: 1 octet

Value	Parameter Description
0x00	Secure Simple Pairing not set (default)
0x01	Secure Simple Pairing enabled
All other values	Reserved for future use

Event(s) generated (unless masked away):

When the HCI_Read_Simple_Pairing_Mode command has completed, an HCI_Command_Complete event shall be generated.



7.3.59 Write Simple Pairing Mode command

Command	OCF	Command Parameters	Return Parameters
HCI_Write_Simple_Pairing_Mode	0x0056	Simple_Pairing_Mode	Status

Description:

This command enables Secure Simple Pairing mode in the BR/EDR Controller. When Secure Simple Pairing Mode is set to 'enabled' the Link Manager shall respond to an LMP_IO_CAPABILITY_REQ PDU with an LMP_IO_CAPABILITY_RES PDU and continue with the subsequent pairing procedure. When Secure Simple Pairing mode is set to 'disabled', the Link Manager shall reject an IO capability request. A Host shall not set the Secure Simple Pairing Mode to 'disabled.'

Until Write_Simple_Pairing_Mode is received by the BR/EDR Controller, it shall not support any Secure Simple Pairing sequences, and shall return the error code *Secure Simple Pairing not Supported by Host (0x37)*. This command shall be written before initiating page scan or paging procedures.

The Link Manager Secure Simple Pairing (Host Support) feature bit shall be set to the Simple_Pairing_Mode parameter. The default value for Simple_Pairing_Mode shall be 'disabled.' When Simple_Pairing_Mode is set to 'enabled,' the bit in the LMP features mask indicating support for Secure Simple Pairing (Host Support) shall be set to enabled in subsequent responses to an LMP_FEATURES_REQ from a remote device.

Command parameters:

Simple_Pairing_Mode: *Size: 1 octet*

Value	Parameter Description
0x00	Secure Simple Pairing disabled (default)
0x01	Secure Simple Pairing enabled
All other values	Reserved for future use

Return parameters:

Status: *Size: 1 octet*

Value	Parameter Description
0x00	HCI_Write_Simple_Pairing_Mode command succeeded.
0x01 to 0xFF	HCI_Write_Simple_Pairing_Mode command failed. See [Vol 1] Part F, Controller Error Codes for a list of error codes and descriptions.

**Event(s) generated (unless masked away):**

When the HCI_Write_Simple_Pairing_Mode command has completed, an HCI_Command_Complete event shall be generated.



7.3.60 Read Local OOB Data command

Command	OCF	Command Parameters	Return Parameters
HCI_Read_Local_OOB_Data	0x0057	none	Status, C, R

Description:

This command obtains a Secure Simple Pairing Hash C and Randomizer R which are intended to be transferred to a remote device using an OOB mechanism. The BR/EDR Controller shall create new values for C and R for each invocation of this command.

Note: Each OOB transfer will have unique C and R values.

After each OOB transfer this command shall be used to obtain a new set of values for the next OOB transfer.

Note: The Controller keeps information used to generate these values for later use in the Secure Simple Pairing process. If the BR/EDR Controller is powered off or reset then this information is lost and the values obtained before the power off or reset are invalid.

Command parameters:

None.

Return parameters:

Status: *Size: 1 octet*

Value	Parameter Description
0x00	HCI_Read_Local_OOB_Data command succeeded.
0x01 to 0xFF	HCI_Read_Local_OOB_Data command failed. See [Vol 1] Part F, Controller Error Codes for a list of error codes and descriptions.

C: *Size: 16 octets*

Value	Parameter Description
0XXXXXXXXXX XXXXXXXXXXXX XXXXXXXXXX	Secure Simple Pairing Hash C



R:

Size: 16 octets

Value	Parameter Description
0XXXXXXXXXXXXX XXXXXXXXXXXXX XXXXXXXXXXXXX	Secure Simple Pairing Randomizer R

Event(s) generated (unless masked away):

When the HCI_Read_Local_OOB_Data command has completed, an HCI_Command_Complete event shall be generated.



7.3.61 Read Inquiry Response Transmit Power Level command

Command	OCF	Command Parameters	Return Parameters
HCI_Read_Inquiry_Response_Transmit_Power_Level	0x0058	none	Status, TX_Power

Description:

This command reads the power level used to transmit the FHS and EIR data packets. This can be used directly in the Tx Power Level EIR data type.

Command parameters:

None.

Return parameters:

Status:

Size: 1 octet

Value	Parameter Description
0x00	HCI_Read_Inquiry_Response_Transmit_Power_Level command succeeded.
0x01 to 0xFF	HCI_Read_Inquiry_Response_Transmit_Power_Level command failed. See [Vol 1] Part F, Controller Error Codes for a list of error codes and descriptions.

TX_Power:

Size: 1 octet

Value	Parameter Description
0xXX	Range: -70 to 20 Units: dBm

Event(s) generated (unless masked away):

When the HCI_Read_Inquiry_Response_Transmit_Power_Level command has completed, an HCI_Command_Complete event shall be generated.



7.3.62 Write Inquiry Transmit Power Level command

Command	OCF	Command Parameters	Return Parameters
HCI_Write_Inquiry_Transmit_Power_Level	0x0059	TX_Power	Status

Description:

This command writes the inquiry transmit power level used to transmit the inquiry (ID) data packets. The Controller should use the supported TX power level closest to the TX_Power parameter.

Command parameters:

TX_Power:

Size: 1 octet

Value	Parameter Description
0xXX	Range: -70 to 20 Units: dBm

Return parameters:

Status:

Size: 1 octet

Value	Parameter Description
0x00	HCI_Write_Inquiry_Transmit_Power_Level command succeeded
0x01 to 0xFF	HCI_Write_Inquiry_Transmit_Power_Level command failed. See [Vol 1] Part F, Controller Error Codes for a list of error codes and descriptions.

Event(s) generated (unless masked away):

When the HCI_Write_Inquiry_Transmit_Power_Level command has completed, an HCI_Command_Complete event shall be generated.



7.3.63 Send Keypress Notification command

Command	OCF	Command Parameters	Return Parameters
HCI_Send_Keypress_Notification	0x0060	BD_ADDR, Notification_Type	Status, BD_ADDR

Description:

This command is used during the Passkey Entry protocol by a device with KeyboardOnly IO capabilities. It is used by a Host to inform the remote device when keys have been entered or erased.

Command parameters:

BD_ADDR: *Size: 6 octets*

Value	Parameter Description
0xXXXXXXXXXXXX	BD_ADDR of remote device involved in the Secure Simple Pairing process

Notification_Type: *Size: 1 octet*

Value	Parameter Description
0	Passkey entry started
1	Passkey digit entered
2	Passkey digit erased
3	Passkey cleared
4	Passkey entry completed
All other values	Reserved for future use

Return parameters:

Status: *Size: 1 octet*

Value	Parameter Description
0x00	HCI_Send_Keypress_Notification command succeeded
0x01 to 0xFF	HCI_Send_Keypress_Notification command failed

BD_ADDR: *Size: 6 octets*

Value	Parameter Description
0xXXXXXXXXXXXX	BD_ADDR of remote device involved in the Secure Simple Pairing process

**Event(s) generated (unless masked away):**

When the HCI_Send_Keypress_Notification command has completed, an HCI_Command_Complete event shall be generated.



7.3.64 Read Default Erroneous Data Reporting command

Command	OCF	Command Parameters	Return Parameters
HCI_Read_Default_Erroneous_Data_Reporting	0x005A	none	Status, Erroneous_Data_Reporting

Description:

This command reads the Erroneous_Data_Reporting parameter.

Command parameters:

None.

Return parameters:

Status:

Size: 1 octet

Value	Parameter Description
0x00	HCI_Read_Default_Erroneous_Data_Reporting command succeeded.
0x01 to 0xFF	HCI_Read_Default_Erroneous_Data_Reporting command failed. See [Vol 1] Part F, Controller Error Codes for a list of error codes and descriptions.

Erroneous_Data_Reporting:

Size: 1 octet

Value	Parameter Description
0x00	Erroneous data reporting disabled.
0x01	Erroneous data reporting enabled.
All other values	Reserved for future use.

Event(s) generated (unless masked away):

When the HCI_Read_Default_Erroneous_Data_Reporting command has completed, an HCI_Command_Complete event shall be generated.



7.3.65 Write Default Erroneous Data Reporting command

Command	OCF	Command Parameters	Return Parameters
HCI_Write_Default_Erroneous_Data_Reporting	0x005B	Erroneous_Data_Reporting	Status

Description:

This command writes the Erroneous_Data_Reporting parameter. The BR/EDR Controller shall set the Packet_Status_Flag as defined in [Section 5.4.3 HCI Synchronous Data packets](#), depending on the value of this parameter. The new value for the Erroneous_Data_Reporting parameter shall not apply to existing synchronous connections.

Command parameters:

Erroneous_Data_Reporting:

Size: 1 octet

Value	Parameter Description
0x00	Erroneous Data reporting disabled (default).
0x01	Erroneous data reporting enabled.
All other values	Reserved for future use.

Return parameters:

Status:

Size: 1 octet

Value	Parameter Description
0x00	HCI_Write_Default_Erroneous_Data_Reporting command succeeded.
0x01 to 0xFF	HCI_Write_Default_Erroneous_Data_Reporting command failed. See [Vol 1] Part F, Controller Error Codes for a list of error codes and descriptions.

Event(s) generated (unless masked away):

When the HCI_Write_Default_Erroneous_Data_Reporting command has completed, an HCI_Command_Complete event shall be generated.



7.3.66 Enhanced Flush command

Command	OCF	Command Parameters	Return Parameters
HCI_Enhanced_Flush	0x005F	Handle, Packet_Type	<i>none</i>

Description:

The HCI_Enhanced_Flush command is used to discard all L2CAP packets identified by Packet_Type that are currently pending for transmission in the Controller for the specified Handle, even if there currently are chunks of data that belong to more than one L2CAP packet of the same type in the Controller. The only packet type defined is automatically-flushable. Packets not identified by Packet_Type will not be flushed and will be processed normally by the Controller.

After flushing the packets, all data that is sent to the BR/EDR Controller for the same Handle and packet type shall be discarded by the Controller until an HCI ACL Data packet with the start Packet_Boundary_Flag (0x00 or 0x02) is received. This command allows higher-level software to control how long the Baseband should try to retransmit a Baseband packet of a specific type for a Handle before all data of that type currently pending for transmission in the Controller should be flushed. The HCI_Enhanced_Flush command shall be used for ACL-U connections only. On the BR/EDR Controller, the HCI_Flush command can be used to flush all packets (see [Section 7.3.4](#)). In addition to the HCI_Enhanced_Flush and HCI_Flush commands, the automatic flush timers (see [Section 7.3.29](#)) can be used to automatically flush an automatically-flushable L2CAP packet that is currently being transmitted after the specified flush timer has expired.

Command parameters:

Handle:

Size: 2 octets (12 bits meaningful)

Value	Parameter Description
0xXXXX	Handle to be used to identify a connection. Range: 0x0000 to 0x0EFF



Packet_Type:

Size: 1 octet

Value	Parameter Description
0x00	Automatically flushable only.
All other values	Reserved for future use.

Return parameters:

None.

Event(s) generated (unless masked away):

When the Controller receives the HCI_Enhanced_Flush command, the Controller shall send the HCI_Command_Status event to the Host. In addition, when all the packets identified by Packet_Type have been flushed for the specified Handle, the Controller shall send an HCI_Enhanced_Flush_Complete event to the Host. The Controller may send the HCI_Enhanced_Flush_Complete event immediately after flushing all the packets of type Packet_Type for the specified Handle, or it may wait until all packets for the specified Handle, independent of Packet_Type, buffered in the Controller at the time of the receipt of the HCI_Enhanced_Flush command, have been either flushed or transmitted.



7.3.67 [This section is no longer used]

7.3.68 [This section is no longer used]



7.3.69 Set Event Mask Page 2 command

Command	OCF	Command Parameters	Return Parameters
HCI_Set_Event_Mask_Page_2	0x0063	Event_Mask_Page_2	Status

Description:

The HCI_Set_Event_Mask_Page_2 command is used to control which events are generated by the HCI for the Host. The Event_Mask_Page_2 is a logical extension to the Event_Mask parameter of the HCI_Set_Event_Mask command. If the bit in the Event_Mask_Page_2 is set to a one, then the event associated with that bit shall be enabled. The event mask allows the Host to control how much it is interrupted.

The Controller shall ignore those bits which are reserved for future use or represent events which it does not support. If the Host sets any of these bits to 1, the Controller shall act as if they were set to 0.

Command parameters:

Event_Mask_Page_2:

Size: 8 octets

Bit	Parameter Description
0	Previously used
1	Previously used
2	Previously used
3	Previously used
4	Previously used
5	Previously used
6	Previously used
7	Previously used
8	Number Of Completed Data Blocks event
9	Previously used
10	Previously used
11	Previously used
12	Previously used
13	Previously used
14	Triggered Clock Capture event
15	Synchronization Train Complete event
16	Synchronization Train Received event



Bit	Parameter Description
17	Connectionless Peripheral Broadcast Receive event
18	Connectionless Peripheral Broadcast Timeout event
19	Truncated Page Complete event
20	Peripheral Page Response Timeout event
21	Connectionless Peripheral Broadcast Channel Map Change event
22	Inquiry Response Notification event
23	Authenticated Payload Timeout Expired event
24	SAM Status Change event
25	Encryption Change event [v2]
60 to 63	Reserved for future use (used for specification development purposes)

The value with all bits set to 0 (which is the default) indicates that no events are specified.

All bits not listed in this table are reserved for future use.

Return parameters:

Status:

Size: 1 octet

Value	Parameter Description
0x00	HCI_Set_Event_Mask_Page_2 command succeeded.
0x01 to 0xFF	HCI_Set_Event_Mask_Page_2 command failed. See [Vol 1] Part F, Controller Error Codes for error codes and descriptions.

Event(s) generated (unless masked away):

When the HCI_Set_Event_Mask_Page_2 command has completed, an HCI_Command_Complete event shall be generated.



7.3.70 [This section is no longer used]

7.3.71 [This section is no longer used]



7.3.72 Read Flow Control Mode command

Command	OCF	Command Parameters	Return Parameters
HCI_Read_Flow_Control_Mode	0x0066	none	Status, Flow_Control_Mode

Description:

This command reads the value for the Flow_Control_Mode configuration parameter. See [Section 6.33](#).

Command parameters:

None.

Return parameters:

Status:

Size: 1 octet

Value	Parameter Description
0x00	HCI_Read_Flow_Control_Mode command succeeded.
0x01 to 0xFF	HCI_Read_Flow_Control_Mode command failed. See [Vol 1] Part F, Controller Error Codes for a list of error codes and descriptions.

Flow_Control_Mode:

Size: 1 octet

Value	Parameter Description
0x00	Packet based data flow control mode
0x01	Data block based data flow control mode
All other values	Reserved for future use

Event(s) generated (unless masked away):

When the HCI_Read_Flow_Control_Mode command has completed, an HCI_Command_Complete event shall be generated.



7.3.73 Write Flow Control Mode command

Command	OCF	Command Parameters	Return Parameters
HCI_Write_Flow_Control_Mode	0x0067	Flow_Control_Mode	Status

Description:

This command writes the value for the Flow_Control_Mode configuration parameter. See [Section 6.33](#).

Command parameters:

Flow_Control_Mode: *Size: 1 octet*

Value	Parameter Description
0x00	Packet based data flow control mode (default)
0x01	Data block based data flow control mode
All other values	Reserved for future use

Return parameters:

Status: *Size: 1 octet*

Value	Parameter Description
0x00	HCI_Write_Flow_Control_Mode command succeeded.
0x01 to 0xFF	HCI_Write_Flow_Control_Mode command failed. See [Vol 1] Part F, Controller Error Codes for a list of error codes and descriptions.

Event(s) generated (unless masked away):

When the HCI_Write_Flow_Control_Mode command has completed, an HCI_Command_Complete event shall be generated. If the set fails then the Controller continues using its current mode.



7.3.74 Read Enhanced Transmit Power Level command

Command	OCF	Command Parameters	Return Parameters
HCI_Read_Enhanced_Transmit_Power_Level	0x0068	Connection_Handle, Type	Status, Connection_Handle, TX_Power_Level_GFSK, TX_Power_Level_DQPSK, TX_Power_Level_8DPSK

Description:

This command reads the values for the Enhanced_Transmit_Power_Level parameters for the specified Connection_Handle. The Connection_Handle shall be a Connection_Handle for an ACL connection.

Command parameters:

Connection_Handle: *Size: 2 octets (12 bits meaningful)*

Value	Parameter Description
0xXXXX	Connection_Handle Range: 0x0000 to 0x0EFF

Type: *Size: 1 octet*

Value	Parameter Description
0x00	Read Current Transmit Power Level
0x01	Read Maximum Transmit Power Level
All other values	Reserved for future use.

Return parameters:

Status: *Size: 1 octet*

Value	Parameter Description
0x00	HCI_Read_Enhanced_Transmit_Power_Level command succeeded.
0x01 to 0xFF	HCI_Read_Enhanced_Transmit_Power_Level command failed. See [Vol 1] Part F, Controller Error Codes for a list of error codes and descriptions.

**Connection_Handle:****Size: 2 octets (12 bits meaningful)**

Value	Parameter Description
0xXXXX	Connection_Handle Range: 0x0000 to 0x0EFF

TX_Power_Level_GFSK:**Size: 1 octet**

Value	Parameter Description
0xXX	Range: -100 to 20 Units: dBm

TX_Power_Level_DQPSK:**Size: 1 octet**

Value	Parameter Description
0xXX	Range: -100 to 20 Units: dBm

TX_Power_Level_8DPSK:**Size: 1 octet**

Value	Parameter Description
0xXX	Range: -100 to 20 Units: dBm

Event(s) generated (unless masked away):

When the HCI_Read_Enhanced_Transmit_Power_Level command has completed, an HCI_Command_Complete event shall be generated.



7.3.75 [This section is no longer used]

7.3.76 [This section is no longer used]

7.3.77 [This section is no longer used]



7.3.78 Read LE Host Support command

Command	OCF	Command Parameters	Return Parameters
HCI_Read_LE_Host_Support	0x006C	none	Status, LE_Supported_Host, Unused

Description:

The HCI_Read_LE_Host_Support command is used to read the LE Supported (Host) Link Manager Protocol feature bit. See [\[Vol 2\] Part C, Section 3.2](#).

The Unused parameter was previously used.

Command parameters:

None.

Return parameters:

Status:

Size: 1 octet

Value	Parameter Description
0x00	HCI_Read_LE_Host_Support command succeeded.
0x01 to 0xFF	HCI_Read_LE_Host_Support command failed. See [Vol 1] Part F, Controller Error Codes for a list of error codes and descriptions.

LE_Supported_Host:

Size: 1 octet

Value	Parameter Description
0xXX	LE_Supported_Host parameter, see Section 6.34 .

Unused:

Size: 1 octet

Value	Parameter Description
0x00	This value shall be returned by the Controller.
All other values	Reserved for future use

Event(s) generated (unless masked away):

When the HCI_Read_LE_Host_Support command has completed, an HCI_Command_Complete event shall be generated.



7.3.79 Write LE Host Support command

Command	OCF	Command Parameters	Return Parameters
HCI_Write_LE_Host_Support	0x006D	LE_Supported_Host, Unused	Status

Description:

The HCI_Write_LE_Host_Support command is used to set the LE Supported (Host) Link Manager Protocol feature bit. See [\[Vol 2\] Part C, Section 3.2](#).

The default value for this feature bit shall be disabled. When LE_Supported_Host is set to enabled the bit in LMP features mask indicating support for LE Support (Host) shall be set.

The Unused parameter was previously used.

Command parameters:

LE_Supported_Host: *Size: 1 octet*

Value	Parameter Description
0xXX	LE_Supported_Host parameter. See Section 6.34

Unused: *Size: 1 octet*

Value	Parameter Description
0xXX	This value shall be ignored by the Controller.

Return parameters:

Status: *Size: 1 octet*

Value	Parameter Description
0x00	HCI_Write_LE_Host_Support command succeeded.
0x01 to 0xFF	HCI_Write_LE_Host_Support command failed. See [Vol 1] Part F, Controller Error Codes for a list of error codes and descriptions.

Event(s) generated (unless masked away):

When the HCI_Write_LE_Host_Support command has completed, an HCI_Command_Complete event shall be generated.



7.3.80 Set MWS Channel Parameters command

Command	OCF	Command Parameters	Return Parameters
HCI_Set_MWS_Channel_Parameters	0x006E	MWS_Channel_Enable, MWS_RX_Center_Frequency, MWS_TX_Center_Frequency, MWS_RX_Channel_Bandwidth, MWS_TX_Channel_Bandwidth, MWS_Channel_Type	Status

Description:

The HCI_Set_MWS_Channel_Parameters command is used to inform the Controller of the MWS channel parameters.

The MWS_Channel_Enable parameter is used to enable or disable the MWS channel. If it is set to 0x00, the remaining parameters shall be ignored.

The MWS_RX_Center_Frequency and MWS_TX_Center_Frequency parameters are used to indicate the center frequency of the MWS device’s uplink (TX) and downlink (RX) channels. The uplink and downlink channel centers may be the same value or different values.

The MWS_RX_Channel_Bandwidth and MWS_TX_Channel_Bandwidth parameters are used to indicate the bandwidth, in kHz, of the MWS device’s uplink and downlink channels.

The MWS_Channel_Type parameter describes the type of channel. The types are defined in [Assigned Numbers](#).

Command parameters:

MWS_Channel_Enable:

Size: 1 octet

Value	Parameter Description
0x00	MWS channel is disabled.
0x01	MWS channel is enabled.
All other values	Reserved for future use.

MWS_RX_Center_Frequency:

Size: 2 octets

Value	Parameter Description
0xXXXX	MWS RX center frequency in MHz.

**MWS_TX_Center_Frequency:***Size: 2 octets*

Value	Parameter Description
0xXXXX	MWS TX center frequency in MHz

MWS_RX_Channel_Bandwidth:*Size: 2 octets*

Value	Parameter Description
0xXXXX	MWS RX channel bandwidth in kHz.

MWS_TX_Channel_Bandwidth:*Size: 2 octets*

Value	Parameter Description
0xXXXX	MWS TX channel bandwidth in kHz.

MWS_Channel_Type:*Size: 1 octet*

Value	Parameter Description
0xXX	See Assigned Numbers .

Return parameters:**Status:***Size: 1 octet*

Value	Parameter Description
0x00	HCI_Set_MWS_Channel_Parameters command succeeded.
0x01 to 0xFF	HCI_Set_MWS_Channel_Parameters command failed. See [Vol 1] Part F, Controller Error Codes , for error codes and descriptions

Event(s) generated (unless masked away):

When the HCI_Set_MWS_Channel_Parameters command has completed, an HCI_Command_Complete event shall be generated.



7.3.81 Set External Frame Configuration command

Command	OCF	Command Parameters	Return Parameters
HCI_Set_External_Frame_ - Configuration	0x006F	MWS_Frame_Duration, MWS_Frame_Sync_Assert_ - Offset, MWS_Frame_Sync_Assert_Jitter, MWS_Num_Periods, Period_Duration[i], Period_Type[i]	Status

Description:

The HCI_Set_External_Frame_Configuration command allows the Host to specify a frame configuration for an external collocated MWS system. This frame configuration persists until overwritten with a subsequent Set_External_Frame_Configuration or until the Controller is reset.

This command can be used to allow the Controller to align the piconet clock with an external frame structure.

When the external frame structure is a multiple of 1.25 ms, it can be aligned in a stable manner with the piconet clock.

The start of the external frame structure is defined as an offset from an external frame synchronization signal. This offset is defined by the MWS_Frame_Sync_Assert_Offset parameter. The offset is represented as the time (in microseconds) from the start of the next MWS frame to the FRAME_SYNC signal.

An external frame consists of downlink periods, uplink periods and guard periods. Downlink means the collocated MWS system is receiving, thus may be interfered with by Bluetooth transmissions. Uplink means the collocated MWS system is transmitting, thus may cause interference to Bluetooth receptions. A guard period may be used by the MWS system to compensate for propagation delays; in this case it should be regarded as split equally between downlink and uplink durations.

The number of specified periods is given by MWS_Num_Periods.

The duration in microseconds of each period is defined by the Period_Duration[i] parameters.

The Period_Type[i] parameter indicates if the specified period is an uplink, downlink, bi-directional or guard period.

The sum of all Period_Duration[i] parameters shall be equal to the MWS_Frame_Duration parameter.



Upon reception of an HCI_Set_External_Frame_Configuration command and a FRAME_SYNC signal from the MWS Coexistence Logical Interface, the Controller may compute the type 0 submap for local SAM slot maps. The Controller may then initiate the SAM set type 0 and SAM define map LMP sequences with the remote device.

Command parameters:

MWS_Frame_Duration: *Size: 2 octets*

Value	Parameter Description
0xXXXX	External frame duration in microseconds

MWS_Frame_Sync_Assert_Offset: *Size: 2 octets*

Value	Parameter Description
0xXXXX	External frame offset in microseconds (signed integer)

MWS_Frame_Sync_Assert_Jitter: *Size: 2 octets*

Value	Parameter Description
0xXXXX	External frame sync jitter in microseconds (unsigned integer)

MWS_Num_Periods: *Size: 1 octet*

Value	Parameter Description
0xXX	Number of specified periods in an external frame. Valid range: 1 to 32

Period_Duration[i]: *Size: MWS_Num_Periods × 2 octets*

Value	Parameter Description
0xXXXX	Duration of the period in microseconds

Period_Type[i]: *Size: MWS_Num_Periods × 1 octet*

Value	Parameter Description
0x00	Downlink
0x01	Uplink
0x02	Bi-Directional
0x03	Guard Period
All other values	Reserved for future use

**Return parameters:***Status:**Size: 1 octet*

Value	Parameter Description
0x00	HCI_Set_External_Frame_Configuration command succeeded.
0x01 to 0xFF	HCI_Set_External_Frame_Configuration command failed. See [Vol 1] Part F, Controller Error Codes , for error codes and descriptions

Event(s) generated (unless masked away):

When the HCI_Set_External_Frame_Configuration command has completed, an HCI_Command_Complete event shall be generated.



7.3.82 Set MWS Signaling command

Command	OCF	Command Parameters	Return Parameters
HCI_Set_- MWS_Signaling	0x0070	MWS_RX_Assert_Offset, MWS_RX_Assert_Jitter, MWS_RX_Deassert_Offset, MWS_RX_Deassert_Jitter, MWS_TX_Assert_Offset, MWS_TX_Assert_Jitter, MWS_TX_Deassert_Offset, MWS_TX_Deassert_Jitter, MWS_Pattern_Assert_Offset, MWS_Pattern_Assert_Jitter, MWS_Inactivity_Duration_- Assert_Offset, MWS_Inactivity_Duration_- Assert_Jitter, MWS_Scan_Frequency_- Assert_Offset, MWS_Scan_Frequency_- Assert_Jitter, MWS_Priority_Assert_- Offset_Request	Status, Bluetooth_RX_Priority_- Assert_Offset, Bluetooth_RX_Priority_- Assert_Jitter, Bluetooth_RX_Priority_- Deassert_Offset, Bluetooth_RX_Priority_- Deassert_Jitter, 802_RX_Priority_Assert_- Offset, 802_RX_Priority_Assert_- Jitter, 802_RX_Priority_Deassert_- Offset, 802_RX_Priority_Deassert_- Jitter, Bluetooth_TX_On_Assert_- Offset, Bluetooth_TX_On_Assert_- Jitter, Bluetooth_TX_On_- Deassert_Offset, Bluetooth_TX_On_- Deassert_Jitter, 802_TX_On_Assert_Offset, 802_TX_On_Assert_Jitter, 802_TX_On_Deassert_- Offset, 802_TX_On_Deassert_Jitter

Description:

The HCI_Set_MWS_Signaling command is used to inform the Bluetooth Controller of the MWS signaling interface logical layer parameters.

All signals are defined in [\[Vol 7\] Part A](#).

Command parameters:

MWS_RX_Assert_Offset:

Size: 2 octets

Value	Parameter Description
0xXXXX	MWS_RX signal assert offset in microseconds (signed integer).



MWS_RX_Assert_Jitter:

Size: 2 octets

Value	Parameter Description
0xXXXX	MWS_RX signal assert jitter in microseconds (unsigned integer).

MWS_RX_Deassert_Offset:

Size: 2 octets

Value	Parameter Description
0xXXXX	MWS_RX signal de-assert offset in microseconds (signed integer).

MWS_RX_Deassert_Jitter:

Size: 2 octets

Value	Parameter Description
0xXXXX	MWS_RX signal de-assert jitter in microseconds (unsigned integer).

MWS_TX_Assert_Offset:

Size: 2 octets

Value	Parameter Description
0xXXXX	MWS_TX signal assert offset in microseconds (signed integer).

MWS_TX_Assert_Jitter:

Size: 2 octets

Value	Parameter Description
0xXXXX	MWS_TX signal assert jitter in microseconds (unsigned integer).

MWS_TX_Deassert_Offset:

Size: 2 octets

Value	Parameter Description
0xXXXX	MWS_TX signal de-assert offset in microseconds (signed integer).

MWS_TX_Deassert_Jitter:

Size: 2 octets

Value	Parameter Description
0xXXXX	MWS_TX signal de-assert jitter in microseconds (unsigned integer).

MWS_Pattern_Assert_Offset:

Size: 2 octets

Value	Parameter Description
0xXXXX	MWS_PATTERN signal assert offset in microseconds (signed integer).

MWS_Pattern_Assert_Jitter:

Size: 2 octets

Value	Parameter Description
0xXXXX	MWS_PATTERN signal assert jitter in microseconds (unsigned integer).



MWS_Inactivity_Duration_Assert_Offset:

Size: 2 octets

Value	Parameter Description
0xXXXX	MWS_INACTIVITY_DURATION signal assert offset in microseconds (signed integer).

MWS_Inactivity_Duration_Assert_Jitter:

Size: 2 octets

Value	Parameter Description
0xXXXX	MWS_INACTIVITY_DURATION signal assert jitter in microseconds (unsigned integer).

MWS_Scan_Frequency_Assert_Offset:

Size: 2 octets

Value	Parameter Description
0xXXXX	MWS_SCAN_FREQUENCY signal assert offset in microseconds (signed integer).

MWS_Scan_Frequency_Assert_Jitter:

Size: 2 octets

Value	Parameter Description
0xXXXX	MWS_SCAN_FREQUENCY signal assert jitter in microseconds (unsigned integer).

MWS_Priority_Assert_Offset_Request:

Size: 2 octets

Value	Parameter Description
0xXXXX	Minimum advance notification from the beginning of an MWS Uplink period in microseconds (unsigned integer) before which the BLUETOOTH_RX_PRI or 802_RX_PRI signal shall be asserted to be recognized by the MWS.

Return parameters:

Status:

Size: 1 octet

Value	Parameter Description
0x00	HCI_Set_MWS_Signaling command succeeded.
0x01 to 0xFF	HCI_Set_MWS_Signaling command failed. See [Vol 1] Part F, Controller Error Codes , for error codes and descriptions

Bluetooth_RX_Priority_Assert_Offset:

Size: 2 octets

Value	Parameter Description
0xXXXX	BLUETOOTH_RX_PRI signal assert offset in microseconds (signed integer).

**Bluetooth_RX_Priority_Assert_Jitter:****Size: 2 octets**

Value	Parameter Description
0xXXXX	BLUETOOTH_RX_PRI signal assert jitter in microseconds (unsigned integer).

Bluetooth_RX_Priority_Deassert_Offset:**Size: 2 octets**

Value	Parameter Description
0xXXXX	BLUETOOTH_RX_PRI signal de-assert offset in microseconds (signed integer).

Bluetooth_RX_Priority_Deassert_Jitter:**Size: 2 octets**

Value	Parameter Description
0xXXXX	BLUETOOTH_RX_PRI signal de-assert jitter in microseconds (unsigned integer).

802_RX_Priority_Assert_Offset:**Size: 2 octets**

Value	Parameter Description
0xXXXX	802_RX_PRI signal assert offset in microseconds (signed integer).

802_RX_Priority_Assert_Jitter:**Size: 2 octets**

Value	Parameter Description
0xXXXX	802_RX_PRI signal assert jitter in microseconds (unsigned integer).

802_RX_Priority_Deassert_Offset:**Size: 2 octets**

Value	Parameter Description
0xXXXX	802_RX_PRI signal de-assert offset in microseconds (signed integer).

802_RX_Priority_Deassert_Jitter:**Size: 2 octets**

Value	Parameter Description
0xXXXX	802_RX_PRI signal de-assert jitter in microseconds (unsigned integer).

Bluetooth_TX_On_Assert_Offset:**Size: 2 octets**

Value	Parameter Description
0xXXXX	BLUETOOTH_TX_ON signal assert offset in microseconds (signed integer).

**Bluetooth_TX_On_Assert_Jitter:***Size: 2 octets*

Value	Parameter Description
0xXXXX	BLUETOOTH_TX_ON signal assert jitter in microseconds (unsigned integer).

Bluetooth_TX_On_Deassert_Offset:*Size: 2 octets*

Value	Parameter Description
0xXXXX	BLUETOOTH_TX_ON signal de-assert offset in microseconds (signed integer).

Bluetooth_TX_On_Deassert_Jitter:*Size: 2 octets*

Value	Parameter Description
0xXXXX	BLUETOOTH_TX_ON signal de-assert jitter in microseconds (unsigned integer).

802_TX_On_Assert_Offset:*Size: 2 octets*

Value	Parameter Description
0xXXXX	802_TX_ON signal assert offset in microseconds (signed integer).

802_TX_On_Assert_Jitter:*Size: 2 octets*

Value	Parameter Description
0xXXXX	802_TX_ON signal assert jitter in microseconds (unsigned integer).

802_TX_On_Deassert_Offset:*Size: 2 octets*

Value	Parameter Description
0xXXXX	802_TX_ON signal de-assert offset in microseconds (signed integer).

802_TX_On_Deassert_Jitter:*Size: 2 octets*

Value	Parameter Description
0xXXXX	802_TX_ON signal de-assert jitter in microseconds (unsigned integer).

Event(s) generated (unless masked away):

When the HCI_Set_MWS_Signaling command has completed, an HCI_Command_Complete event shall be generated.



7.3.83 Set MWS Transport Layer command

Command	OCF	Command Parameters	Return Parameters
HCI_Set_MWS_Transport_Layer	0x0071	Transport_Layer, To_MWS_Baud_Rate, From_MWS_Baud_Rate	Status

Description:

The HCI_Set_MWS_Transport_Layer command configures the transport layer between the Bluetooth Controller and MWS device.

Command parameters:

Transport_Layer: *Size: 1 octet*

Value	Parameter Description
0xXX	See Assigned Numbers .

To_MWS_Baud_Rate: *Size: 4 octets*

Value	Parameter Description
0XXXXXXXX	Baud rate in the Bluetooth to MWS direction in Baud.

From_MWS_Baud_Rate: *Size: 4 octets*

Value	Parameter Description
0XXXXXXXX	Baud rate in the MWS to Bluetooth direction in Baud.

Return parameters:

Status: *Size: 1 octet*

Value	Parameter Description
0x00	HCI_Set_MWS_Transport_Layer command succeeded.
0x01 to 0xFF	HCI_Set_MWS_Transport_Layer command failed. See [Vol 1] Part F, Controller Error Codes , for error codes and descriptions

Event(s) generated (unless masked away):

When the HCI_Set_MWS_Transport_Layer command has completed, an HCI_Command_Complete event shall be generated.



7.3.84 Set MWS Scan Frequency Table command

Command	OCF	Command Parameters	Return Parameters
HCI_Set_MWS_Scan_Frequency_Table	0x0072	Num_Scan_Frequencies, Scan_Frequency_Low[i], Scan_Frequency_High[i]	Status

Description:

The HCI_Set_MWS_Scan_Frequency_Table command configures the MWS scan frequency table in the Controller.

The Num_Scan_Frequencies parameter indicates the number of MWS scan frequencies to be set. A Controller shall support at least 8 table entries.

The Scan_Frequency_Low[i] and Scan_Frequency_High[i] parameters indicate the lower and upper edges for each scan frequency.

Command parameters:

Num_Scan_Frequencies: *Size: 1 octet*

Value	Parameter Description
N	Number of MWS scan frequencies to be set in the table.

Scan_Frequency_Low[i]: *Size: Num_Scan_Frequencies × 2 octets*

Value	Parameter Description
0xXXXX	Lower edge of the MWS scan frequency in MHz.

Scan_Frequency_High[i]: *Size: Num_Scan_Frequencies × 2 octets*

Value	Parameter Description
0xXXXX	Upper edge of the MWS scan frequency in MHz.

Return parameters:

Status: *Size: 1 octet*

Value	Parameter Description
0x00	HCI_Set_MWS_Scan_Frequency_Table command succeeded.
0x01 to 0xFF	HCI_Set_MWS_Scan_Frequency_Table command failed. See [Vol 1] Part F, Controller Error Codes, for error codes and descriptions

**Event(s) generated (unless masked away):**

When the HCI_Set_MWS_Scan_Frequency_Table command has completed, an HCI_Command_Complete event shall be generated.



7.3.85 Set MWS_PATTERN Configuration command

Command	OCF	Command Parameters	Return Parameters
HCI_Set_MWS_PATTERN_Configuration	0x0073	MWS_Pattern_Index, MWS_Pattern_Num_Intervals, MWS_Pattern_Interval_Duration[i], MWS_Pattern_Interval_Type[i]	Status

Description:

The HCI_Set_MWS_PATTERN_Configuration command is used by the Host to specify, in conjunction with the HCI_Set_External_Frame_Configuration command, local MWS_PATTERN parameters for an external collocated system.

An MWS_PATTERN configuration shall persist until overwritten by a subsequent Set_MWS_PATTERN_Configuration. All MWS_PATTERN configurations are deleted when an HCI_Set_External_Frame_Configuration command is received or when the Controller is reset.

The sum of the MWS_Pattern_Interval_Duration parameters shall be an integer multiple of the length of a frame as defined by the most recent HCI_Set_External_Frame_Configuration command.

If any interval with type 4 either has an MWS_Pattern_Interval_Duration greater than the length of a frame or the sum of the MWS_Pattern_Interval_Duration parameters for the previous intervals is not a multiple of the length of the frame, the Controller shall return the error code *Invalid HCI Command Parameters* (0x12).

Upon reception of an HCI_Set_MWS_PATTERN_Configuration command, the Controller may compute the local SAM slot map with SAM_Index equal to MWS_Pattern_Index. If the SAM slot map does not exist, it should be created; if the SAM slot map already exists, its parameters should be replaced. The Controller may then initiate the SAM define map LMP sequence with the remote device.

Upon reception of an MWS_PATTERN signal, with a value other than 3, from the MWS Coexistence Logical Interface (see [Vol 7] Part A), the Controller should check the MWS_PATTERN value against the SAM_Index of those SAM slot maps that have been configured by previous HCI_Set_MWS_PATTERN_Configuration commands. It should then take the following course of action:

1. If MWS_PATTERN does not match any configured SAM slot map, it should take no further action.
2. If MWS_PATTERN matches an available SAM slot map that is already active or is being activated, it should take no further action (i.e. let the current or pending active SAM slot map continue).



3. If MWS_PATTERN matches an available SAM slot map that is neither active nor is being activated, then:
 - a) If the SAM slot map has been activated previously using the LMP_SAM_SET_TYPE0 (if relevant) and LMP_SAM_DEFINE_MAP LMP sequences, the Controller should start the SAM switch LMP sequence to activate the matched SAM slot map;
 - b) Otherwise the Controller should start or complete the SAM set type 0 (if relevant), SAM define map, and SAM switch LMP sequences to activate the matched SAM slot map.

Command parameters:

MWS_Pattern_Index: *Size: 1 octet*

Value	Parameter Description
0xXX	Index of the MWS_PATTERN instance to be configured. Range: 0 to 2.

MWS_Pattern_Num_Intervals: *Size: 1 octet*

Value	Parameter Description
0xXX	The number of intervals in the following arrays.

MWS_Pattern_Interval_Duration[i]: *Size: MWS_Pattern_Num_Intervals × 2 octets*

Value	Parameter Description
0xXXXX	The duration of this Bluetooth activity interval in microseconds.

MWS_Pattern_Interval_Type[i]: *Size: MWS_Pattern_Num_Intervals × 1 octet*

Value	Parameter Description
0x00	Neither transmission nor reception is allowed in this interval.
0x01	Transmission is allowed in this interval.
0x02	Reception is allowed in this interval.
0x03	Both transmission and reception are allowed in this interval.
0x04	Interval for the MWS frame as defined by the HCI_Set_External_Frame_Configuration command.
All other values	Reserved for future use

**Return parameters:***Status:**Size: 1 octet*

Value	Parameter Description
0x00	HCI_Set_MWS_PATTERN_Configuration command succeeded
0x01 to 0xFF	HCI_Set_MWS_PATTERN_Configuration command failed. See [Vol 1] Part F, Controller Error Codes for a list of error codes and descriptions.

Event(s) generated (unless masked away):

When the HCI_Set_MWS_PATTERN_Configuration command has completed, an HCI_Command_Complete event shall be generated.



7.3.86 Set Reserved LT_ADDR command

Command	OCF	Command Parameters	Return Parameters
HCI_Set_Reserved_LT_ADDR	0x0074	LT_ADDR	Status, LT_ADDR

Description:

The HCI_Set_Reserved_LT_ADDR command allows the Host to request that the BR/EDR Controller reserve a specific LT_ADDR for Connectionless Peripheral Broadcast.

If the LT_ADDR indicated in the LT_ADDR parameter is already in use by the BR/EDR Controller, it shall return the *Connection Already Exists* (0x0B) error code. If the LT_ADDR indicated in the LT_ADDR parameter is out of range, the Controller shall return the *Invalid HCI Command Parameters* (0x12) error code. If the command succeeds, then the reserved LT_ADDR shall be used when issuing subsequent HCI_Set_Connectionless_Peripheral_Broadcast_Data and HCI_Set_Connectionless_Peripheral_Broadcast commands.

To ensure that the reserved LT_ADDR is not already allocated, it is recommended that this command be issued at some point after HCI_Reset is issued but before page scanning is enabled or paging is initiated.

Command parameters:

LT_ADDR: *Size: 1 octet*

Value	Parameter Description
0x01 to 0x07	LT_ADDR to reserve for Connectionless Peripheral Broadcast
All other values	Reserved for future use

Return parameters:

Status: *Size: 1 octet*

Value	Parameter Description
0x00	HCI_Set_Reserved_LT_ADDR command succeeded.
0x01 to 0xFF	HCI_Set_Reserved_LT_ADDR command failed. See [Vol 1] Part F, Controller Error Codes , for error codes and descriptions.

**LT_ADDR:***Size: 1 octet*

Value	Parameter Description
0x01 to 0x07	LT_ADDR reserved for Connectionless Peripheral Broadcast. This parameter shall have the same value as the Command Parameter LT_ADDR.
All other values	Reserved for future use

Event(s) generated (unless masked away):

When the HCI_Set_Reserved_LT_ADDR command has completed, an HCI_Command_Complete event shall be generated.



7.3.87 Delete Reserved LT_ADDR command

Command	OCF	Command Parameters	Return Parameters
HCI_Delete_Reserved_ LT_ADDR	0x0075	LT_ADDR	Status, LT_ADDR

Description:

The HCI_Delete_Reserved_LT_ADDR command requests that the BR/EDR Controller cancel the reservation for a specific LT_ADDR reserved for the purposes of Connectionless Peripheral Broadcast.

If the LT_ADDR indicated in the LT_ADDR parameter is not reserved by the BR/EDR Controller, it shall return the *Unknown Connection Identifier* (0x02) error code.

If Connectionless Peripheral Broadcast mode is still active, then the Controller shall return the *Command Disallowed* (0x0C) error code.

Command parameters:

LT_ADDR: *Size: 1 octet*

Value	Parameter Description
0x01 to 0x07	LT_ADDR currently reserved for Connectionless Peripheral Broadcast and for which reservation is to be cancelled
All other values	Reserved for future use

Return parameters:

Status: *Size: 1 octet*

Value	Parameter Description
0x00	HCI_Delete_Reserved_LT_ADDR command succeeded.
0x01 to 0xFF	HCI_Delete_Reserved_LT_ADDR command failed. See [Vol 1] Part F, Controller Error Codes , for error codes and descriptions.

LT_ADDR: *Size: 1 octet*

Value	Parameter Description
0x01 to 0x07	LT_ADDR whose reservation the Host has requested to cancel.
All other values	Reserved for future use

Event(s) generated (unless masked away):

When the HCI_Delete_Reserved_LT_ADDR command has completed, an HCI_Command_Complete event shall be generated.



7.3.88 Set Connectionless Peripheral Broadcast Data command

Command	OCF	Command Parameters	Return Parameters
HCI_Set_Connectionless_Peripheral_Broadcast_Data	0x0076	LT_ADDR, Fragment, Data_Length, Data	Status, LT_ADDR

Description:

The HCI_Set_Connectionless_Peripheral_Broadcast_Data command provides the ability for the Host to set Connectionless Peripheral Broadcast data in the BR/EDR Controller. This command may be issued at any time after an LT_ADDR has been reserved regardless of whether Connectionless Peripheral Broadcast mode has been enabled or disabled by the Enable parameter in the HCI_Set_Connectionless_Peripheral_Broadcast command. If the command is issued without the LT_ADDR reserved, the *Unknown Connection Identifier* (0x02) error code shall be returned.

If Connectionless Peripheral Broadcast mode is disabled, this data shall be kept by the BR/EDR Controller and used once Connectionless Peripheral Broadcast mode is enabled. If Connectionless Peripheral Broadcast mode is enabled, and this command is successful, this data will be sent starting with the next Connectionless Peripheral Broadcast instant.

The Data_Length field may be zero, in which case no data needs to be provided.

The Host may fragment the data using the Fragment field in the command. If the combined length of the fragments exceeds the capacity of the largest allowed packet size specified in the HCI_Set_Connectionless_Peripheral_Broadcast command, all fragments associated with the data being assembled shall be discarded and the *Invalid HCI Command Parameters* error code (0x12) shall be returned.

Command parameters:

LT_ADDR:

Size: 1 octet

Value	Parameter Description
0x01 to 0x07	LT_ADDR on which to send Connectionless Peripheral Broadcast data
All other values	Reserved for future use



Fragment:

Size: 1 octet

Value	Parameter Description
0x00	Continuation fragment
0x01	Starting fragment
0x02	Ending fragment
0x03	No fragmentation (single fragment)
All other values	Reserved for future use

Data_Length:

Size: 1 octet

Value	Parameter Description
0xXX	Length of the Data field

Data:

Size: Data_Length octets

Value	Parameter Description
Variable	Data to send in future Connectionless Peripheral Broadcast packets. This data will be repeated in future Connectionless Peripheral Broadcast instants until new data is provided

Return parameters:

Status:

Size: 1 octet

Value	Parameter Description
0x00	HCI_Set_Connectionless_Peripheral_Broadcast_Data command succeeded.
0x01 to 0xFF	HCI_Set_Connectionless_Peripheral_Broadcast_Data command failed. See [Vol 1] Part F, Controller Error Codes , for error codes and descriptions

LT_ADDR:

Size: 1 octet

Value	Parameter Description
0x01 to 0x07	LT_ADDR on which Connectionless Peripheral Broadcast data will be sent
All other values	Reserved for future use

Event(s) generated (unless masked away):

When the HCI_Set_Connectionless_Peripheral_Broadcast_Data command has completed, an HCI_Command_Complete event shall be generated.



7.3.89 Read Synchronization Train Parameters command

Command	OCF	Command Parameters	Return Parameters
HCI_Read_Synchronization_Train_Parameters	0x0077	none	Status, Sync_Train_Interval, Sync_Train_Timeout, Service_Data

Description:

The HCI_Read_Synchronization_Train_Parameters command returns the currently configured values for the Synchronization Train functionality in the Central’s BR/EDR Controller. This command may be issued at any time.

Command parameters:

None.

Return parameters:

Status: *Size: 1 octet*

Value	Parameter Description
0x00	HCI_Read_Synchronization_Train_Parameters command succeeded.
0x01 to 0xFF	HCI_Read_Synchronization_Train_Parameters command failed. See [Vol 1] Part F, Controller Error Codes, for error codes and descriptions.

Sync_Train_Interval: *Size: 2 octets*

Value	Parameter Description
0xXXXX	Interval in slots between consecutive Synchronization Train events on the same channel. Range: 0x0020 to 0xFFFE; only even values are valid

Sync_Train_Timeout: *Size: 4 octets*

Value	Parameter Description
0XXXXXXXX	Duration in slots to continue sending the synchronization train Range: 0x00000002 to 0x07FFFFFFE; only even values are valid

Service_Data: *Size: 1 octet*

Value	Parameter Description
0xXX	Host provided value included in Synchronization Train packet, octet 27; see [Vol 2] Part B, Table 8.11.

**Event(s) generated (unless masked away):**

When the BR/EDR Controller receives the HCI_Read_Synchronization_Train_Parameters command, it shall send an HCI_Command_Complete event to the Host.



7.3.90 Write Synchronization Train Parameters command

Command	OCF	Command Parameters	Return Parameters
HCI_Write_Synchronization_Train_Parameters	0x0078	Interval_Min, Interval_Max, Sync_Train_Timeout, Service_Data	Status, Sync_Train_Interval

Description:

The HCI_Write_Synchronization_Train_Parameters command configures the Synchronization Train functionality in the BR/EDR Controller. This command may be issued at any time.

Note: The AFH_Channel_Map used in the Synchronization Train packets is configured by the HCI_Set_AFH_Host_Channel_Classification command and the local channel classification in the BR/EDR Controller.

Interval_Min and Interval_Max specify the allowed range of Sync_Train_Interval. Refer to [Vol 2] Part B, Section 2.7.2 for a detailed description of Sync_Train_Interval. The BR/EDR Controller shall select an interval from this range and return it in Sync_Train_Interval. If the Controller is unable to select a value from this range, it shall return the *Invalid HCI Command Parameters* (0x12) error code.

Once started (via the HCI_Start_Synchronization_Train command) the Synchronization Train will continue until Sync_Train_Timeout slots have passed or Connectionless Peripheral Broadcast has been disabled.

Command parameters:

Interval_Min: *Size: 2 octets*

Value	Parameter Description
0xXXXX	Minimum value allowed for the interval Sync_Train_Interval in slots. Range: 0x0020 to 0xFFFFE; only even values are valid

Interval_Max: *Size: 2 octets*

Value	Parameter Description
0xXXXX	Maximum value allowed for the interval Sync_Train_Interval in slots. Range: 0x0020 to 0xFFFFE; only even values are valid

**Sync_Train_Timeout:***Size: 4 octets*

Value	Parameter Description
0XXXXXXXX	Duration in slots to continue sending the synchronization train Range: 0x00000002 to 0x07FFFFFFE; only even values are valid

Service_Data:*Size: 1 octet*

Value	Parameter Description
0xXX	Host provided value to be included in octet 27 of the Synchronization Train packet payload body; see [Vol 2] Part B, Table 8.11 .

Return parameters:**Status:***Size: 1 octet*

Value	Parameter Description
0x00	HCI_Write_Synchronization_Train_Parameters command succeeded.
0x01 to 0xFF	HCI_Write_Synchronization_Train_Parameters command failed. See [Vol 1] Part F, Controller Error Codes , for error codes and descriptions.

Sync_Train_Interval:*Size: 2 octets*

Value	Parameter Description
0XXXXX	Interval in slots between consecutive Synchronization Train packets on the same channel. Range: 0x0020 to 0xFFFFE; only even values are valid

Event(s) generated (unless masked away):

When the BR/EDR Controller receives the HCI_Write_Synchronization_Train_Parameters command, it shall send an HCI_Command_Complete event to the Host.



7.3.91 Read Secure Connections Host Support command

Command	OCF	Command Parameters	Return Parameters
HCI_Read_Secure_Connections_ - Host_Support	0x0079	none	Status, Secure_Connections_ - Host_Support

Description:

This command reads the Secure_Connections_Host_Support parameter in the BR/EDR Controller. When Secure Connections Host Support is set to 'enabled' the Controller uses the enhanced reporting mechanisms for the Encryption_Enabled parameter in the HCI_Encryption_Change event (see [Section 7.7.8](#)) and the Key_Type parameter in the HCI_Link_Key_Notification event (see [Section 7.7.24](#)).

Command parameters:

None.

Return parameters:

Status:

Size: 1 octet

Value	Parameter Description
0x00	HCI_Read_Secure_Connections_Host_Support command succeeded.
0x01 to 0xFF	HCI_Read_Secure_Connections_Host_Support command failed. See [Vol 1] Part F, Controller Error Codes for a list of error codes and descriptions.

Secure_Connections_Host_Support:

Size: 1 octet

Value	Parameter Description
0x00	Secure_Connections_Host_Support is 'disabled'. Host does not support Secure Connections (default)
0x01	Secure_Connections_Host_Support is 'enabled'. Host supports Secure Connections
All other values	Reserved for future use

Event(s) generated (unless masked away):

When the HCI_Read_Secure_Connections_Host_Support command has completed, an HCI_Command_Complete event shall be generated.



7.3.92 Write Secure Connections Host Support command

Command	OCF	Command Parameters	Return Parameters
HCI_Write_Secure_Connections_Host_Support	0x007A	Secure_Connections_Host_Support	Status

Description:

This command writes the Secure_Connections_Host_Support parameter in the BR/EDR Controller. When Secure Connections Host Support is set to 'enabled' the Controller shall use the enhanced reporting mechanisms for the Encryption_Enabled parameter in the HCI_Encryption_Change event (see Section 7.7.8) and the Key_Type parameter in the HCI_Link_Key_Notification event (see Section 7.7.24). If the Host issues this command while the Controller is paging, has page scanning enabled, or has an ACL connection, the Controller shall return the error code *Command Disallowed* (0x0C).

The Link Manager Secure Connections (Host Support) feature bit shall be set to the Secure_Connections_Host_Support parameter. The default value for Secure_Connections_Host_Support shall be 'disabled.' When Secure_Connections_Host_Support is set to 'enabled,' the bit in the LMP features mask indicating support for Secure Connections (Host Support) shall be set to enabled in subsequent responses to an LMP_FEATURES_REQ from a remote device.

Command parameters:

Secure_Connections_Host_Support: *Size: 1 octet*

Value	Parameter Description
0x00	Secure_Connections_Host_Support is 'disabled'. Host does not support Secure Connections (default)
0x01	Secure_Connections_Host_Support is 'enabled'. Host supports Secure Connections
All other values	Reserved for future use

Return parameters:

Status: *Size: 1 octet*

Value	Parameter Description
0x00	HCI_Write_Secure_Connections_Host_Support command succeeded.
0x01 to 0xFF	HCI_Write_Secure_Connections_Host_Support command failed. See [Vol 1] Part F, Controller Error Codes for a list of error codes and descriptions.

**Event(s) generated (unless masked away):**

When the HCI_Write_Secure_Connections_Host_Support command has completed, an HCI_Command_Complete event shall be generated.



7.3.93 Read Authenticated Payload Timeout command

Command	OCF	Command Parameters	Return Parameters
HCI_Read_Authenticated_Payload_Timeout	0x007B	Connection_Handle	Status, Connection_Handle, Authenticated_Payload_Timeout

Description:

This command reads the Authenticated_Payload_Timeout (*authenticatedPayloadTO*, see [Vol 2] Part B, Appendix B for BR/EDR connections and [Vol 6] Part B, Section 5.4 for LE connections) parameter in the Controller on the specified Connection_Handle.

When the Connection_Handle identifies a BR/EDR synchronous connection, the Controller shall return the error code *Command Disallowed* (0x0C).

Command parameters:

Connection_Handle: *Size: 2 octets (12 bits meaningful)*

Value	Parameter Description
0xXXXX	Connection_Handle Range: 0x0000 to 0x0EFF

Return parameters:

Status: *Size: 1 octet*

Value	Parameter Description
0x00	HCI_Read_Authenticated_Payload_Timeout command succeeded.
0x01 to 0xFF	HCI_Read_Authenticated_Payload_Timeout command failed. See [Vol 1] Part F, Controller Error Codes for a list of error codes and descriptions.

Connection_Handle: *Size: 2 octets (12 bits meaningful)*

Value	Parameter Description
0xXXXX	Connection_Handle Range: 0x0000 to 0x0EFF

**Authenticated_Payload_Timeout:**

Size: 2 octets

Value	Parameter Description
N = 0xXXXX	Maximum amount of time specified between packets authenticated by a MIC. Default = 0x0BB8 (30 s) Range: 0x0001 to 0xFFFF Time = N × 10 ms Time Range: 10 ms to 655,350 ms

Event(s) generated (unless masked away):

When the HCI_Read_Authenticated_Payload_Timeout command has completed, an HCI_Command_Complete event shall be generated.



7.3.94 Write Authenticated Payload Timeout command

Command	OCF	Command Parameters	Return Parameters
HCI_Write_Authenticated_Payload_Timeout	0x007C	Connection_Handle, Authenticated_Payload_Timeout	Status, Connection_Handle

Description:

This command writes the `Authenticated_Payload_Timeout` (*authenticatedPayloadTO*, see [Vol 2] Part B, Appendix B and [Vol 6] Part B, Section 5.4 for the LE connection) parameter in the Controller for the specified `Connection_Handle`.

When the `Connection_Handle` identifies a BR/EDR ACL connection:

- If the connection is in Sniff mode, the `Authenticated_Payload_Timeout` shall be equal to or greater than T_{sniff} .
- If the connection is in Sniff Subrating mode, the `Authenticated_Payload_Timeout` shall be equal to or greater than $(\text{max subrate}) \times T_{sniff}$.
- If the connection is in Hold mode, the `Authenticated_Payload_Timeout` shall be equal to or greater than the *holdTO* value.

When the `Connection_Handle` identifies a BR/EDR synchronous connection, this command shall be rejected with the error code *Command Disallowed* (0x0C).

When the `Connection_Handle` identifies an LE connection, the `Authenticated_Payload_Timeout` shall be equal to or greater than $\text{connInterval} \times \text{connSubrateFactor} \times (1 + \text{connPeripheralLatency})$.

When the `Connection_Handle` is associated with an ACL connection, the Link Manager will use this parameter to determine when to use the LMP ping sequence.

When the `Connection_Handle` is associated with an LE connection, the Link Layer will use this parameter to determine when to use the LE ping sequence.

**Command parameters:***Connection_Handle:**Size: 2 octets (12 bits meaningful)*

Value	Parameter Description
0xXXXX	Connection_Handle Range: 0x0000 to 0x0EFF

*Authenticated_Payload_Timeout:**Size: 2 octets*

Value	Parameter Description
N = 0xXXXX	Maximum amount of time specified between packets authenticated by a valid MIC. Range: 0x0001 to 0xFFFF Time = N × 10 ms Time Range: 10 ms to 655,350 ms

Return parameters:*Status:**Size: 1 octet*

Value	Parameter Description
0x00	HCI_Write_Authenticated_Payload_Timeout command succeeded.
0x01 to 0xFF	HCI_Write_Authenticated_Payload_Timeout command failed. See [Vol 1] Part F, Controller Error Codes for a list of error codes and descriptions.

*Connection_Handle:**Size: 2 octets (12 bits meaningful)*

Value	Parameter Description
0xXXXX	Connection_Handle Range: 0x0000 to 0x0EFF

Event(s) generated (unless masked away):

When the HCI_Write_Authenticated_Payload_Timeout command has completed, an HCI_Command_Complete event shall be generated.



7.3.95 Read Local OOB Extended Data command

Command	OCF	Command Parameters	Return Parameters
HCI_Read_Local_OOB_Extended_Data	0x007D	none	Status, C_192, R_192, C_256, R_256

Description:

This command obtains the Secure Simple Pairing Hash C_192, Randomizer R_192, Hash C_256, and Randomizer R_256, which are intended to be transferred to a remote device using an OOB mechanism. The BR/EDR Controller shall create new values for C_192, R_192, C_256, and R_256 for each invocation of this command. Each random number (R_192 and R_256) shall be created according to [\[Vol 2\] Part H, Section 2](#).

If the Host issues this command before enabling Secure Connections Host Support, the Controller shall return the error code *Command Disallowed* (0x0C).

Note: Each OOB transfer will have unique C_192, R_192, C_256, and R_256 values.

After each OOB transfer this command shall be used to obtain a new set of values for the next OOB transfer.

Note: The Controller keeps information used to generate these values for later use in the Secure Simple Pairing process. If the BR/EDR Controller is powered off or reset then this information is lost and the values obtained before the power off or reset are invalid.

Command parameters:

None.

Return parameters:

Status:

Size: 1 octet

Value	Parameter Description
0x00	HCI_Read_Local_OOB_Extended_Data command succeeded.
0x01 to 0xFF	HCI_Read_Local_OOB_Extended_Data command failed. See [Vol 1] Part F, Controller Error Codes for a list of error codes and descriptions.



C_192:

Size: 16 octets

Value	Parameter Description
0XXXXXXXXXXXXX XXXXXXXXXXXXX XXXXXXXXXX	Secure Simple Pairing Hash C derived from the P-192 public key.

R_192:

Size: 16 octets

Value	Parameter Description
0XXXXXXXXXXXXX XXXXXXXXXXXXX XXXXXXXXXX	Secure Simple Pairing Randomizer associated with the P-192 public key.

C_256:

Size: 16 octets

Value	Parameter Description
0XXXXXXXXXXXXX XXXXXXXXXXXXX XXXXXXXXXX	Secure Simple Pairing Hash C derived from the P-256 public key.

R_256:

Size: 16 octets

Value	Parameter Description
0XXXXXXXXXXXXX XXXXXXXXXXXXX XXXXXXXXXX	Secure Simple Pairing Randomizer associated with the P-256 public key.

Event(s) generated (unless masked away):

When the HCI_Read_Local_OOB_Extended_Data command has completed, an HCI_Command_Complete event shall be generated.



7.3.96 Read Extended Page Timeout command

Command	OCF	Command Parameters	Return Parameters
HCI_Read_Extended_Page_Timeout	0x007E	none	Status, Extended_Page_Timeout

Description:

The HCI_Read_Extended_Page_Timeout command will read the value for the Extended_Page_Timeout configuration parameter. See [Section 6.41](#).

Command parameters:

None.

Return parameters:

Status:

Size: 1 octet

Value	Parameter Description
0x00	HCI_Read_Extended_Page_Timeout command succeeded.
0x01 to 0x0F	HCI_Read_Extended_Page_Timeout command failed. See [Vol 1] Part F, Controller Error Codes for a list of error codes and descriptions.

Extended_Page_Timeout:

Size: 2 octets

Value	Parameter Description
0xXXXX	Extended Page Timeout measured in number of Baseband slots. Interval Length = $N \times 0.625$ ms (1 Baseband slot) Range: 0x0000 (default) to 0xFFFF Time Range: 0 to 40.9 s

Event(s) generated (unless masked away):

When the HCI_Read_Extended_Page_Timeout command has completed, an HCI_Command_Complete event shall be generated.



7.3.97 Write Extended Page Timeout command

Command	OCF	Command Parameters	Return Parameters
HCI_Write_Extended_Page_Timeout	0x007F	Extended_Page_Timeout	Status

Description:

The HCI_Write_Extended_Page_Timeout command will write the value for the Extended_Page_Timeout configuration parameter. See [Section 6.41](#).

Command parameters:

Extended_Page_Timeout:

Size: 2 octets

Value	Parameter Description
N = 0xXXXX	Extended Page Timeout measured in number of Baseband slots. Interval Length = $N \times 0.625$ ms (1 Baseband slot) Range: 0x0000 (default) to 0xFFFF Time Range: 0 to 40.9 s

Return parameters:

Status:

Size: 1 octet

Value	Parameter Description
0x00	HCI_Write_Extended_Page_Timeout command succeeded.
0x01 to 0x0F	HCI_Write_Extended_Page_Timeout command failed. See [Vol 1] Part F, Controller Error Codes for a list of error codes and descriptions.

Event(s) generated (unless masked away):

When the HCI_Write_Extended_Page_Timeout command has completed, an HCI_Command_Complete event shall be generated.



7.3.98 Read Extended Inquiry Length command

Command	OCF	Command Parameters	Return Parameters
HCI_Read_Extended_Inquiry_Length	0x0080	none	Status, Extended_Inquiry_Length

Description:

The HCI_Read_Extended_Inquiry_Length command will read the value for the Extended_Inquiry_Length configuration parameter. See [Section 6.42](#).

Command parameters:

None.

Return parameters:

Status:

Size: 1 octet

Value	Parameter Description
0x00	HCI_Read_Extended_Inquiry_Length command succeeded.
0x01 to 0x0F	HCI_Read_Extended_Inquiry_Length command failed. See [Vol 1] Part F, Controller Error Codes for a list of error codes and descriptions.

Extended_Inquiry_Length:

Size: 2 octets

Value	Parameter Description
0xXXXX	Extended_Inquiry_Length measured in number of Baseband slots. Interval Length = $N \times 0.625$ ms (1 Baseband slot) Range: 0x0000 (default) to 0xFFFF Time Range: 0 to 40.9 s

Event(s) generated (unless masked away):

When the HCI_Read_Extended_Inquiry_Length command has completed, an HCI_Command_Complete event shall be generated.



7.3.99 Write Extended Inquiry Length command

Command	OCF	Command Parameters	Return Parameters
HCI_Write_Extended_Inquiry_Length	0x0081	Extended_Inquiry_Length	Status

Description:

The HCI_Write_Extended_Inquiry_Length command will write the value for the Extended_Inquiry_Length configuration parameter. The Extended_Inquiry_Length configuration parameter defines the maximum time after the Inquiry_Length expires that the local Link Manager may wait for a Baseband inquiry response from the remote device at a locally initiated connection attempt. If this time expires and the remote device has not responded to the inquiry at Baseband level, the inquiry will be considered to have failed.

Command parameters:

Extended_Inquiry_Length:

Size: 2 octets

Value	Parameter Description
0xXXXX	Extended_Inquiry_Length measured in number of Baseband slots. Interval Length = N × 0.625 ms (1 Baseband slot) Range: 0x0000 (default) to 0xFFFF Time Range: 0 to 40.9 s

Return parameters:

Status:

Size: 1 octet

Value	Parameter Description
0x00	HCI_Write_Extended_Inquiry_Length command succeeded.
0x01 to 0x0F	HCI_Write_Extended_Inquiry_Length command failed. See [Vol 1] Part F, Controller Error Codes for a list of error codes and descriptions.

Event(s) generated (unless masked away):

When the HCI_Write_Extended_Inquiry_Length command has completed, an HCI_Command_Complete event shall be generated.



7.3.100 Set Ecosystem Base Interval command

Command	OCF	Command Parameters	Return Parameters
HCI_Set_Ecosystem_Base_Interval	0x0082	Interval	Status

Description:

The HCI_Set_Ecosystem_Base_Interval command provides a hint to the Controller specifying the base communication interval the Controller can expect current and future communications to use. The Controller can assume that future activities will use an interval that is a multiple of the hint and may use that assumption when scheduling future activities. For example, if the Host expects to set up an LE ACL with a connection interval of 15 ms and a periodic advertisement with an interval of 40 ms, it would issue this command with Interval set to 5 ms. If the Host gives a range of possible intervals for an activity, the Controller could use a value in that range that is a multiple of the hint; e.g., if it gives the range 37.5 to 42.5 ms, the Controller could use 40 ms in preference to any other value. Communications being scheduled can include, but are not limited to, (e)SCO connections, BR/EDR ACL connections in Sniff mode, LE ACL connections, periodic advertisements, CISEs, and BISEs.

The Host may use an interval of zero to indicate that the most recently provided hint is no longer valid.

Command parameters:

Interval:

Size: 2 octets

Value	Parameter Description
0x0000	Ignore any previous hint
N = 0xXXXX	Base interval of the ecosystem Range: 0x0002 to 0x7DF0 Time = N × 1.25 ms Time Range: 2.5 ms to 40.9 s.

Return parameters:

Status:

Size: 1 octet

Value	Parameter Description
0x00	HCI_Set_Ecosystem_Base_Interval command succeeded.
All other values	HCI_Set_Ecosystem_Base_Interval command failed. See [Vol 1] Part F, Controller Error Codes for a list of error codes and descriptions.

**Event(s) generated (unless masked away):**

When the HCI_Set_Ecosystem_Base_Interval command has completed, an HCI_Command_Complete event shall be generated.



7.3.101 Configure Data Path command

Command	OCF	Command Parameters	Return Parameters
HCI_Configure_Data_Path	0x0083	Data_Path_Direction, Data_Path_ID, Vendor_Specific_Config_Length, Vendor_Specific_Config	Status

Description:

The HCI_Configure_Data_Path command is used to request the Controller to configure the data transport path in a given direction between the Controller and the Host.

The Data_Path_Direction parameter specifies the direction to be configured.

The Data_Path_ID parameter shall indicate the logical transport channel number for the non-HCI transport data path (e.g PCM interface) to be configured. The meaning of these logical transport channel numbers is vendor-specific.

The Vendor_Specific_Config parameter specifies additional vendor-specific configuration information that a Host may provide to the Controller.

If the Host issues this command with a value of Data_Path_ID that is not supported, the Controller shall return the error code *Invalid HCI Command Parameters* (0x12).

Command parameters:

Data_Path_Direction:

Size: 1 octet

Value	Parameter Description
0x00	Input (Host to Controller)
0x01	Output (Controller to Host)
All other values	Reserved for future use

Data_Path_ID:

Size: 1 octet

Value	Parameter Description
0x00	Reserved for future use
0x01 to 0xFE	Logical channel number; the meaning is vendor-specific.
0xFF	Reserved for future use

**Vendor_Specific_Config_Length:****Size: 1 octet**

Value	Parameter Description
0xXX	Length of the vendor-specific configuration data

Vendor_Specific_Config:**Size: Vendor_Specific_Config_Length octets**

Value	Parameter Description
Variable	Vendor-specific configuration data for the data path being configured

Return parameters:**Status:****Size: 1 octet**

Value	Parameter Description
0x00	HCI_Configure_Data_Path command succeeded
0x01 to 0xFF	HCI_Configure_Data_Path command failed. See [Vol 1] Part F, Controller Error Codes for a list of error codes and descriptions.

Event(s) generated (unless masked away):

When the HCI_Configure_Data_Path command has completed, an HCI_Command_Complete event shall be generated.



7.3.102 Set Min Encryption Key Size command

Command	OCF	Command Parameters	Return Parameters
HCI_Set_Min_Encryption_Key_Size	0x0084	Min_Encryption_Key_Size	Status

Description:

The HCI_Set_Min_Encryption_Key_Size command is used by the Host to configure the minimum encryption key size. The Controller shall not negotiate a key size smaller than this value for any subsequent connection over the BR/EDR transport. This command shall not affect any existing connections.

The Min_Encryption_Key_Size parameter specifies the new minimum encryption key size in octets. See [Vol 3] Part C, Section 5.2.2.8 for recommendations concerning key sizes.

If the Host specifies a minimum encryption key size that the Controller does not support, the Controller shall return the error code *Unsupported Feature or Parameter Value* (0x11).

Command parameters:

Min_Encryption_Key_Size: *Size: 1 octet*

Value	Parameter Description
0xXX	Minimum encryption key size in octets. Range: 0x01 to 0x10 Default: vendor-specific

Return parameters:

Status: *Size: 1 octet*

Value	Parameter Description
0x00	HCI_Set_Min_Encryption_Key_Size command succeeded
0x01-0xFF	HCI_Set_Min_Encryption_Key_Size command failed. See [Vol 1] Part F, Controller Error Codes for a list of error codes and descriptions.

Event(s) generated (unless masked away):

When the HCI_Set_Min_Encryption_Key_Size command has completed, an HCI_Command_Complete event shall be generated.



7.4 INFORMATIONAL PARAMETERS

The informational parameters are fixed by the manufacturer of the Bluetooth hardware. These parameters provide information about the BR/EDR Controller and the capabilities of the Link Manager and Baseband in the BR/EDR Controller. The Host device cannot modify any of these parameters.

For Informational Parameters commands, the OGF is defined as 0x04.

7.4.1 Read Local Version Information command

Command	OCF	Command Parameters	Return Parameters
HCI_Read_Local_Version_Information	0x0001	none	Status, HCI_Version, HCI_Subversion, LMP_Version, Company_Identifier, LMP_Subversion

Description:

This command reads the values for the version information for the local Controller.

The HCI_Version information defines the version information of the HCI layer. The LMP_Version information defines the version of the LMP. The Company_Identifier information indicates the manufacturer of the local device.

The HCI_Subversion and LMP_Subversion are vendor-specific.

Command parameters:

None.

Return parameters:

Status:

Size: 1 octet

Value	Parameter Description
0x00	HCI_Read_Local_Version_Information command succeeded.
0x01 to 0xFF	HCI_Read_Local_Version_Information command failed. See [Vol 1] Part F, Controller Error Codes for a list of error codes and descriptions.

*HCI_Version:**Size: 1 octet*

Value	Parameter Description
0xXX	Version of the HCI Specification supported by the Controller See Assigned Numbers

*HCI_Subversion:**Size: 2 octets*

Value	Parameter Description
0XXXXX	Revision of the HCI implementation in the Controller. This value is vendor-specific.

*LMP_Version:**Size: 1 octet*

Value	Parameter Description
0xXX	Version of the Current LMP supported by the Controller. See Assigned Numbers

*Company_Identifier:**Size: 2 octets*

Value	Parameter Description
0XXXXX	Company identifier for the manufacturer of the Controller. See Assigned Numbers

*LMP_Subversion:**Size: 2 octets*

Value	Parameter Description
0XXXXX	Subversion of the Current LMP in the Controller. This value is vendor-specific.

Event(s) generated (unless masked away):

When the HCI_Read_Local_Version_Information command has completed, an HCI_Command_Complete event shall be generated.



7.4.2 Read Local Supported Commands command

Command	OCF	Command Parameters	Return Parameters
HCI_Read_Local_Supported_Commands	0x0002	none	Status, Supported_Commands

Description:

This command reads the list of HCI commands supported for the local Controller.

This command shall return the Supported_Commands configuration parameter.

See [Section 6.27](#) for more information.

Command parameters:

None.

Return parameters:

Status:

Size: 1 octet

Value	Parameter Description
0	HCI_Read_Local_Supported_Commands command succeeded
0x01 to 0xFF	HCI_Read_Local_Supported_Commands command failed. See [Vol 1] Part F, Controller Error Codes for a list of error codes and descriptions.

Supported_Commands:

Size: 64 octets

Value	Parameter Description
	Bit mask for each HCI command. If a bit is 1, the Controller supports the corresponding command and the features required for the command. Unsupported or undefined commands shall be set to 0. See Section 6.27 .

Event(s) generated (unless masked away):

When the HCI_Read_Local_Supported_Commands command has completed, an HCI_Command_Complete event shall be generated.



7.4.3 Read Local Supported Features command

Command	OCF	Command Parameters	Return Parameters
HCI_Read_Local_Supported_Features	0x0003	none	Status, LMP_Features

Description:

This command requests a list of the supported features for the local BR/EDR Controller. This command will return a list of the LMP features. For details see [\[Vol 2\] Part C, Link Manager Protocol Specification](#).

Command parameters:

None.

Return parameters:

Status:

Size: 1 octet

Value	Parameter Description
0x00	HCI_Read_Local_Supported_Features command succeeded.
0x01 to 0xFF	HCI_Read_Local_Supported_Features command failed. See [Vol 1] Part F, Controller Error Codes .

LMP_Features:

Size: 8 octets

Value	Parameter Description
0XXXXXXXXX XXXXXXXXXX	Bit Mask List of LMP features. For details see [Vol 2] Part C, Link Manager Protocol Specification .

Event(s) generated (unless masked away):

When the HCI_Read_Local_Supported_Features command has completed, an HCI_Command_Complete event shall be generated.



7.4.4 Read Local Extended Features command

Command	OCF	Command Parameters	Return Parameters
HCI_Read_Local_Extended_Features	0x0004	Page_Number	Status, Page_Number, Max_Page_Number, Extended_LMP_Features

Description:

The HCI_Read_Local_Extended_Features command returns the requested page of the extended LMP features.

Command parameters:

Page_Number: *Size: 1 octet*

Value	Parameter Description
0x00	Requests the normal LMP features as returned by Read_Local_Supported_Features.
0x01 to 0xFF	Return the corresponding page of features.

Return parameters:

Status: *Size: 1 octet*

Value	Parameter Description
0x00	HCI_Read_Local_Extended_Features command succeeded
0x01 to 0xFF	HCI_Read_Local_Extended_Features command failed. See [Vol 1] Part F, Controller Error Codes for list of error codes.

Page_Number: *Size: 1 octet*

Value	Parameter Description
0x00	The normal LMP features as returned by Read_Local_Supported_Features.
0x01 to 0xFF	The page number of the features returned.

Max_Page_Number: *Size: 1 octet*

Value	Parameter Description
0x00 to 0xFF	The highest features page number which contains non-zero bits for the local device.



Extended_LMP_Features:

Size: 8 octets

Value	Parameter Description
0XXXXXXXXXXXXXXXXX	Bit map of requested page of LMP features. See LMP specification for details.

Event(s) generated (unless masked away):

When the HCI_Read_Local_Extended_Features command has completed, an HCI_Command_Complete event shall be generated.



7.4.5 Read Buffer Size command

Command	OCF	Command Parameters	Return Parameters
HCI_Read_Buffer_Size	0x0005	<i>none</i>	Status, ACL_Data_Packet_Length, Synchronous_Data_Packet_Length, Total_Num_ACL_Data_Packets, Total_Num_Synchronous_Data_Packets

Description:

The HCI_Read_Buffer_Size command is used to read the maximum size of the data portion of HCI ACL and Synchronous Data packets sent from the Host to the Controller. The Host will segment the data to be transmitted from the Host to the Controller according to these sizes, so that the HCI Data packets will contain data with up to these sizes. The HCI_Read_Buffer_Size command also returns the total number of HCI ACL and Synchronous Data packets that can be stored in the data buffers of the Controller. The HCI_Read_Buffer_Size command shall be issued by the Host before it sends any data to the Controller.

For a device supporting BR/EDR and LE, if the HCI_LE_Read_Buffer_Size command returned zero for the number of buffers, then buffers returned by Read_Buffer_Size are shared between BR/EDR and LE.

The ACL_Data_Packet_Length return parameter will be used to determine the size of the L2CAP segments contained in ACL Data packets, which are transferred from the Host to the Controller to be broken up into Baseband packets by the Link Manager. The Synchronous_Data_Packet_Length return parameter is used to determine the maximum size of HCI Synchronous Data packets. The Total_Num_ACL_Data_Packets return parameter contains the total number of HCI ACL Data packets that can be stored in the data buffers of the Controller. The Host will determine how the buffers are to be divided between different Connection_Handles. The Total_Num_Synchronous_Data_Packets return parameter gives the same information but for HCI Synchronous Data packets. If the Controller does not support SCO or eSCO over HCI, then it shall set Total_Num_Synchronous_Data_Packets to zero, in which case the Host shall ignore the Synchronous_Data_Packet_Length parameter.

The ACL_Data_Packet_Length and Synchronous_Data_Packet_Length return parameters do not include the length of the HCI ACL Data packet header or the HCI Synchronous Data packet header respectively.

Command parameters:

None.



Return parameters:

Status:

Size: 1 octet

Value	Parameter Description
0x00	HCI_Read_Buffer_Size command succeeded.
0x01 to 0xFF	HCI_Read_Buffer_Size command failed. See [Vol 1] Part F, Controller Error Codes for a list of error codes and descriptions.

ACL_Data_Packet_Length:

Size: 2 octets

Value	Parameter Description
0xXXXX	Maximum length (in octets) of the data portion of each HCI ACL Data packet that the Controller is able to accept. Range: 0x0001 to 0xFFFF

Synchronous_Data_Packet_Length:

Size: 1 octet

Value	Parameter Description
0xXX	Maximum length (in octets) of the data portion of each HCI Synchronous Data packet that the Controller is able to accept. Range: 0x01 to 0xFF

Total_Num_ACL_Data_Packets:

Size: 2 octets

Value	Parameter Description
0xXXXX	Total number of HCI ACL Data packets that can be stored in the data buffers of the Controller. Range: 0x0001 to 0xFFFF

Total_Num_Synchronous_Data_Packets:

Size: 2 octets

Value	Parameter Description
0x0000	The Controller does not support SCO or eSCO over HCI.
0xXXXX	Total number of HCI Synchronous Data packets that can be stored in the data buffers of the Controller.

Event(s) generated (unless masked away):

When the HCI_Read_Buffer_Size command has completed, an HCI_Command_Complete event shall be generated.



7.4.6 Read BD_ADDR command

Command	OCF	Command Parameters	Return Parameters
HCI_Read_BD_ADDR	0x0009	none	Status, BD_ADDR

Description:

On a BR/EDR Controller, this command reads the Bluetooth Controller address (BD_ADDR). (See [Vol 2] Part B, Section 1.2 and [Vol 3] Part C, Section 3.2.1).

On an LE Controller, this command shall read the Public Device Address as defined in [Vol 6] Part B, Section 1.3. If this Controller does not have a Public Device Address, the value 0x000000000000 shall be returned.

On a BR/EDR/LE Controller, the public address shall be the same as the BD_ADDR.

Command parameters:

None.

Return parameters:

Status: *Size: 1 octet*

Value	Parameter Description
0x00	HCI_Read_BD_ADDR command succeeded.
0x01 to 0xFF	HCI_Read_BD_ADDR command failed. See [Vol 1] Part F, Controller Error Codes for a list of error codes and descriptions.

BD_ADDR: *Size: 6 octets*

Value	Parameter Description
0XXXXXXXXXXXXX	BD_ADDR of the Device

Event(s) generated (unless masked away):

When the HCI_Read_BD_ADDR command has completed, an HCI_Command_Complete event shall be generated.



7.4.7 Read Data Block Size command

Command	OCF	Command Parameters	Return Parameters
HCI_Read_Data_- Block_Size	0x000A	none	Status, Max_ACL_Data_Packet_Length, Data_Block_Length, Total_Num_Data_Blocks

Description:

The HCI_Read_Data_Block_Size command is used to read values regarding the maximum permitted data transfers over the Controller and the data buffering available in the Controller.

The Host uses this information when fragmenting data for transmission, and when performing block-based flow control, based on the HCI_Number_Of_-Completed_Data_Blocks event. The HCI_Read_Data_Block_Size command shall be issued by the Host before it sends any data to the Controller.

Command parameters:

None.

Return parameters:

Status:

Size: 1 octet

Value	Parameter Description
0x00	HCI_Read_Data_Block_Size command succeeded.
0x01 to 0xFF	HCI_Read_Data_Block_Size command failed. See [Vol 1] Part F, Controller Error Codes for a list of error codes and descriptions.

Max_ACL_Data_Packet_Length:

Size: 2 octets

Value	Parameter Description
0xFFFF	Maximum length (in octets) of the data portion of an HCI ACL Data packet that the Controller is able to accept for transmission.

Data_Block_Length:

Size: 2 octets

Value	Parameter Description
0xFFFF	Maximum length (in octets) of the data portion of each HCI ACL Data packet that the Controller is able to hold in each of its data block buffers.

**Total_Num_Data_Blocks:****Size: 2 octets**

Value	Parameter Description
0xXXXX	Total number of data block buffers available in the Controller for the storage of data packets scheduled for transmission.

Event(s) generated (unless masked away):

When the HCI_Read_Data_Block_Size command has completed, an HCI_Command_Complete event shall be generated.



7.4.8 Read Local Supported Codecs command

Command	OCF	Command Parameters	Return Parameters
HCI_Read_Local_Supported_Codecs [v2]	0x000D	<i>none</i>	Status, Num_Supported_Standard_Codecs, Standard_Codec_ID[i], Standard_Codec_Transport[i], Num_Supported_Vendor_Specific_Codecs, Vendor_Specific_Codec_ID[k], Vendor_Specific_Codec_Transport[k]
HCI_Read_Local_Supported_Codecs [v1]	0x000B	<i>none</i>	Status, Num_Supported_Standard_Codecs, Standard_Codec_ID[i], Num_Supported_Vendor_Specific_Codecs, Vendor_Specific_Codec_ID[k]

The order of the return parameters in an HCI event packet is:

- Status
- Num_Supported_Standard_Codecs
- Standard_Codec_ID[0]
- Standard_Codec_Transport[0]
- ...
- Standard_Codec_ID[m]
- Standard_Codec_Transport[m]
- Num_Supported_Vendor_Specific_Codecs
- Vendor_Specific_Codec_ID[0]
- Vendor_Specific_Codec_Transport[0]
- ...
- Vendor_Specific_Codec_ID[n]
- Vendor_Specific_Codec_Transport[n]

Description:

This command reads a list of the Bluetooth SIG approved codecs supported by the Controller, as well as vendor specific codecs, which are defined by an individual manufacturer. The [v1] version of this command shall only return



codecs supported on the BR/EDR physical transport, while the [v2] version shall return codecs supported on all physical transports.

Command parameters:

None

Return parameters:

Status: *Size: 1 octet*

Value	Parameter Description
0x00	HCI_Read_Local_Supported_Codecs command succeeded.
0x01 to 0xFF	HCI_Read_Local_Supported_Codecs command failed. See [Vol 1] Part F, Controller Error Codes for a list of error codes and descriptions.

Num_Supported_Standard_Codecs: *Size: 1 octet*

Value	Parameter Description
0xXX	Total number of codecs supported

Standard_Codec_ID[i]: *Size: Num_Supported_Standard_Codecs × 1 octet*

Value	Parameter Description
0xXX	Codec identifier. See Assigned Numbers

Standard_Codec_Transport[i]: *Size: Num_Supported_Standard_Codecs × 1 octet*

Bit Number	Parameter Description
0	Codec supported over BR/EDR ACL
1	Codec supported over BR/EDR SCO and eSCO
2	Codec supported over LE CIS
3	Codec supported over LE BIS
All other bits	Reserved for future use

Num_Supported_Vendor_Specific_Codecs: *Size: 1 octet*

Value	Parameter Description
0xXX	Total number of vendor-specific codecs supported



Vendor_Specific_Codec_ID[k]:

Size: Num_Supported_Vendor_Specific_Codecs × 4 octets

Value	Parameter Description
Octets 0 and 1	Company ID, see Assigned Numbers for Company Identifier
Octets 2 and 3	Vendor-defined codec ID

Vendor_Specific_Codec_Transport[k]:

Size: Num_Supported_Vendor_Specific_Codecs × 1 octet

Bit Number	Parameter Description
0	Codec supported over BR/EDR ACL
1	Codec supported over BR/EDR SCO and eSCO
2	Codec supported over LE CIS
3	Codec supported over LE BIS
All other bits	Reserved for future use

Event(s) generated (unless masked away):

When the HCI_Read_Local_Supported_Codecs command has completed, an HCI_Command_Complete event shall be generated.



7.4.9 Read Local Simple Pairing Options command

Command	OCF	Command Parameters	Return Parameters
HCI_Read_Local_Simple_Pairing_Options	0x000C	none	Status, Simple_Pairing_Options, Max_Encryption_Key_Size

Description:

The HCI_Read_Local_Simple_Pairing_Options command is used to read the Secure Simple Pairing options and the maximum encryption key size supported. Bit 0 of the Simple_Pairing_Options return parameter shall be set to 1.

Note: If this command is supported, then the Controller must support remote public key validation (see [Vol 2] Part H, Section 7.6).

Command parameters:

None

Return parameters:

Status: *Size: 1 octet*

Value	Parameter Description
0x00	HCI_Read_Local_Simple_Pairing_Options command succeeded.
0x01 to 0xFF	HCI_Read_Local_Simple_Pairing_Options command failed. See [Vol 1] Part F, Controller Error Codes for a list of error codes and descriptions.

Simple_Pairing_Options: *Size: 1 octet*

Bit Number	Parameter Description
0	Remote public key validation is always performed.
All other bits	Reserved for future use.

Max_Encryption_Key_Size: *Size: 1 octet*

Value	Parameter Description
0x07 to 0x10	Maximum encryption key size (in octets) supported.
All other values	Reserved for future use.

**Event(s) generated (unless masked away):**

When the HCI_Read_Local_Simple_Pairing_Options command has completed, an HCI_Command_Complete event shall be generated.



7.4.10 Read Local Supported Codec Capabilities command

Command	OCF	Command Parameters	Return Parameters
HCI_Read_Local_Supported_Codec_Capabilities	0x000E	Codec_ID, Logical_Transport_Type, Direction	Status, Num_Codec_Capabilities, Codec_Capability_Length[i], Codec_Capability[i]

Description:

The HCI_Read_Local_Supported_Codec_Capabilities command returns a list of codec capabilities supported by the Controller for a given codec. Only capabilities for the codec specified by the Codec_ID parameter and that match the transport specified by the Logical_Transport_Type parameter and direction specified by the Direction parameter are returned.

Note: The Controller cannot provide more information than will fit in an HCI Event packet. If more capabilities than that are available, it must select which ones to return. How this is done is not specified.

Command parameters:

Codec_ID:

Size: 5 octets

Value	Parameter Description
Octet 0	See Assigned Numbers
Octets 1 to 2	Company ID, see Assigned Numbers for Company Identifier. Shall be ignored if octet 0 is not 0xFF.
Octets 3 to 4	Vendor-defined codec ID. Shall be ignored if octet 0 is not 0xFF.

Logical_Transport_Type:

Size: 1 octet

Value	Parameter Description
0x00	BR/EDR ACL
0x01	BR/EDR SCO or eSCO
0x02	LE CIS
0x03	LE BIS
All other values	Reserved for future use



Direction:

Size: 1 octet

Value	Parameter Description
0x00	Input (Host to Controller)
0x01	Output (Controller to Host)
All other values	Reserved for future use

Return parameters:

Status:

Size: 1 octet

Value	Parameter Description
0x00	HCI_Read_Local_Supported_Codec_Capabilities command succeeded
0x01 to 0xFF	HCI_Read_Local_Supported_Codec_Capabilities command failed. See [Vol 1] Part F, Controller Error Codes for a list of error codes and descriptions

Num_Codec_Capabilities:

Size: 1 octet

Value	Parameter Description
0xXX	Total number of codec capabilities returned

Codec_Capability_Length[i]:

Size: Num_Codec_Capabilities × 1 octet

Value	Parameter Description
0xXX	Length of the Codec_Capability[i] field

Codec_Capability[i]:

Size: SUM(Codec_Capability_Length[i]) octets

Value	Parameter Description
Variable	Codec_Capability_Length[i] octets of codec-specific capability data Note: Each element of this array has a variable length.

Event(s) generated (unless masked away):

When the HCI_Read_Local_Supported_Codec_Capabilities command has completed, an HCI_Command_Complete event shall be generated.



7.4.11 Read Local Supported Controller Delay command

Command	OCF	Command Parameters	Return Parameters
HCI_Read_Local_Supported_Controller_Delay	0x000F	Codec_ID, Logical_Transport_Type, Direction, Codec_Configuration_Length, Codec_Configuration	Status, Min_Controller_Delay, Max_Controller_Delay

Description:

The HCI_Read_Local_Supported_Controller_Delay command returns the range of supported Controller delays for the codec specified by the Codec_ID parameter on a given transport type specified by the Logical_Transport_Type parameter, in the direction specified by the Direction parameter, and with the codec configuration specified by the Codec_Configuration parameter.

The Min_Controller_Delay and Max_Controller_Delay parameters returned by the Controller provide a range of allowed values to be used by the Host when issuing the HCI_LE_Setup_ISO_Data_Path command.

The Min_Controller_Delay parameter returned by the Controller shall be greater than or equal to the codec processing delay for the specified direction and codec configuration.

The Max_Controller_Delay parameter returned by the Controller shall be less than or equal to the sum of the codec processing delay and the maximum time the Controller can buffer the data for the specified direction and codec configuration. Max_Controller_Delay shall be greater than or equal to Min_Controller_Delay.

Command parameters:

Codec_ID:

Size: 5 octets

Value	Parameter Description
Octet 0	See Assigned Numbers for Coding Format
Octets 1 to 2	Company ID, see Assigned Numbers for Company Identifier. Shall be ignored if octet 0 is not 0xFF.
Octets 3 to 4	Vendor-defined codec ID. Shall be ignored if octet 0 is not 0xFF.



Logical_Transport_Type:

Size: 1 octet

Value	Parameter Description
0x00	BR/EDR ACL
0x01	BR/EDR SCO or eSCO
0x02	LE CIS
0x03	LE BIS
All other values	Reserved for future use

Direction:

Size: 1 octet

Value	Parameter Description
0x00	Input (Host to Controller)
0x01	Output (Controller to Host)
All other values	Reserved for future use

Codec_Configuration_Length:

Size: 1 octet

Value	Parameter Description
0xXX	Length of codec configuration

Codec_Configuration:

Size: Codec_Configuration_Length octets

Value	Parameter Description
Variable	Codec-specific configuration data

Return parameters:

Status:

Size: 1 octet

Value	Parameter Description
0x00	HCI_Read_Local_Supported_Controller_Delay command succeeded
0x01 to 0xFF	HCI_Read_Local_Supported_Controller_Delay command failed. See [Vol 1] Part F, Controller Error Codes for a list of error codes and descriptions.

Min_Controller_Delay:

Size: 3 octets

Value	Parameter Description
0xXXXXXX	Minimum Controller delay in microseconds for the specified configuration Range: 0x000000 to 0x3D0900 Time range: 0 s to 4 s

**Max_Controller_Delay:****Size: 3 octets**

Value	Parameter Description
0xXXXXXX	Maximum Controller delay in microseconds for the specified configuration Range: 0x000000 to 0x3D0900 Time range: 0 s to 4 s

Event(s) generated (unless masked away):

When the HCI_Read_Local_Supported_Controller_Delay command has completed, an HCI_Command_Complete event shall be generated.



7.5 STATUS PARAMETERS

The Controller modifies all status parameters. These parameters provide information about the current state of the Link Manager and Baseband in the BR/EDR Controller. The Host device cannot modify any of these parameters other than to reset certain specific parameters.

For the status parameters commands, the OGF is defined as 0x05.

7.5.1 Read Failed Contact Counter command

Command	OCF	Command Parameters	Return Parameters
HCI_Read_Failed_Contact_Counter	0x0001	Handle	Status, Handle, Failed_Contact_Counter

Description:

This command reads the value for the Failed_Contact_Counter parameter for a particular connection to another device. The Handle shall be a Connection_Handle for an ACL connection. See [Section 6.15](#).

Command parameters:

Handle: *Size: 2 octets (12 bits meaningful)*

Value	Parameter Description
0xXXXX	The Handle for the Connection for which the Failed Contact Counter should be read. Range: 0x0000 to 0x0EFF

Return parameters:

Status: *Size: 1 octet*

Value	Parameter Description
0x00	HCI_Read_Failed_Contact_Counter command succeeded.
0x01 to 0xFF	HCI_Read_Failed_Contact_Counter command failed. See [Vol 1] Part F, Controller Error Codes for a list of error codes and descriptions.

Handle: *Size: 2 octets (12 bits meaningful)*

Value	Parameter Description
0xXXXX	The Handle for the connection for which the Failed Contact Counter has been read. Range: 0x0000 to 0x0EFF

**Failed_Contact_Counter:****Size: 2 octets**

Value	Parameter Description
0xXXXX	Number of consecutive failed contacts for a connection corresponding to the Handle.

Event(s) generated (unless masked away):

When the HCI_Read_Failed_Contact_Counter command has completed, an HCI_Command_Complete event shall be generated.



7.5.2 Reset Failed Contact Counter command

Command	OCF	Command Parameters	Return Parameters
HCI_Reset_Failed_Contact_Counter	0x0002	Handle	Status, Handle

Description:

This command resets the value for the Failed_Contact_Counter parameter for a particular connection to another device. The Handle shall be a Connection_Handle for an ACL connection. See [Section 6.15](#).

Command parameters:

Handle: *Size: 2 octets (12 bits meaningful)*

Value	Parameter Description
0xXXXX	The Handle for the connection for which the Failed Contact Counter should be reset. Range: 0x0000 to 0x0EFF

Return parameters:

Status: *Size: 1 octet*

Value	Parameter Description
0x00	HCI_Reset_Failed_Contact_Counter command succeeded.
0x01 to 0xFF	HCI_Reset_Failed_Contact_Counter command failed. See [Vol 1] Part F, Controller Error Codes for a list of error codes and descriptions.

Handle: *Size: 2 octets (12 bits meaningful)*

Value	Parameter Description
0xXXXX	The Handle for the connection for which the Failed Contact Counter has been reset. Range: 0x0000 to 0x0EFF

Event(s) generated (unless masked away):

When the HCI_Reset_Failed_Contact_Counter command has completed, an HCI_Command_Complete event shall be generated.



7.5.3 Read Link Quality command

Command	OCF	Command Parameters	Return Parameters
HCI_Read_Link_Quality	0x0003	Handle	Status, Handle, Link_Quality

Description:

This command returns the value for the Link_Quality for the specified Handle. The Handle shall be a Connection_Handle for an ACL connection. This command shall return a Link_Quality value from 0 to 255, which represents the quality of the link between two Controllers. The higher the value, the better the link quality is. Each Bluetooth module vendor will determine how to measure the link quality.

If the Host specifies a connection handle for an LE ACL connection and the Controller does not support the Connected Isochronous Stream - Central or Connected Isochronous Stream - Peripheral feature (see [Vol 6] Part B, Section 4.6), the Controller shall either begin to execute the command or return an error.

Command parameters:

Handle: *Size: 2 octets (12 bits meaningful)*

Value	Parameter Description
0xXXXX	The Handle for the connection for which link quality parameters are to be read. Range: 0x0000 to 0x0EFF

Return parameters:

Status: *Size: 1 octet*

Value	Parameter Description
0x00	HCI_Read_Link_Quality command succeeded.
0x01 to 0xFF	HCI_Read_Link_Quality command failed. See [Vol 1] Part F, Controller Error Codes for a list of error codes and descriptions.

**Handle:****Size: 2 octets (12 bits meaningful)**

Value	Parameter Description
0xXXXX	The Handle for the connection for which the link quality parameter has been read. Range: 0x0000 to 0x0EFF

Link_Quality:**Size: 1 octet**

Value	Parameter Description
0xXX	The current quality of the Link connection between the local device and the remote device specified by the Handle. Range: 0x00 to 0xFF The higher the value, the better the link quality is.

Event(s) generated (unless masked away):

When the HCI_Read_Link_Quality command has completed, an HCI_Command_Complete event shall be generated.



7.5.4 Read RSSI command

Command	OCF	Command Parameters	Return Parameters
HCI_Read_RSSI	0x0005	Handle	Status, Handle, RSSI

Description:

This command reads the Received Signal Strength Indication (RSSI) value from a Controller.

For a BR/EDR Controller, the RSSI parameter returns the difference between the measured Received Signal Strength Indication (RSSI) and the limits of a range selected by the Controller. The lower limit shall correspond to a received power not less than -56 dBm and not greater than 6 dB above the actual sensitivity of the receiver. The upper limit shall be 20 ± 6 dB above the lower limit. A positive RSSI value shall indicate how many dB the RSSI is above the upper limit, a negative value shall indicate how many dB the RSSI is below the lower limit, and zero shall indicate that the RSSI is inside the range.

The returned RSSI value is not required to have any specific accuracy provided that it correctly indicates whether the received signal strength was above the upper limit, below the lower limit, or between the limits.

For an LE transport, the RSSI parameter returns the absolute received signal strength value in dBm to ± 6 dB accuracy. If the RSSI cannot be read, the RSSI parameter shall be set to 127.



Command parameters:

Handle: *Size: 2 octets (12 bits meaningful)*

Value	Parameter Description
0xXXXX	The Handle for the connection for which the RSSI is to be read. The Handle is a Connection_Handle for an ACL-U or LE-U connection. Range: 0x0000 to 0x0EFF

Return parameters:

Status: *Size: 1 octet*

Value	Parameter Description
0x00	HCI_Read_RSSI command succeeded.
0x01 to 0xFF	HCI_Read_RSSI command failed. See [Vol 1] Part F, Controller Error Codes for a list of error codes and descriptions.

Handle: *Size: 2 octets (12 bits meaningful)*

Value	Parameter Description
0xXXXX	The Handle for the connection for which the RSSI has been read. Range: 0x0000 to 0x0EFF

RSSI: *Size: 1 octet*

Value	Parameter Description
0xXX	BR/EDR Range: -128 to 127 Units: dB LE: Range: -127 to 20, 127 Units: dBm

Event(s) generated (unless masked away):

When the HCI_Read_RSSI command has completed, an HCI_Command_-Complete event shall be generated.



7.5.5 Read AFH Channel Map command

Command	OCF	Command Parameters	Return Parameters
HCI_Read_AFH_Channel_Map	0x0006	Connection_Handle	Status, Connection_Handle, AFH_Mode, AFH_Channel_Map

Description:

This command returns the values for the AFH_Mode and AFH_Channel_Map for the specified Connection_Handle. The Connection_Handle shall be a Connection_Handle for an ACL connection.

The returned values indicate the state of the hop sequence specified by the most recent LMP_SET_AFH message for the specified Connection_Handle, regardless of whether the Central has received the Baseband acknowledgment or whether the AFH_Instant has passed.

Command parameters:

Connection_Handle: *Size: 2 octets (12 bits meaningful)*

Value	Parameter Description
0xXXXX	Connection_Handle Range: 0x0000 to 0x0EFF

Return parameters:

Status: *Size: 1 octet*

Value	Parameter Description
0x00	HCI_Read_AFH_Channel_Map command succeeded.
0x01 to 0xFF	HCI_Read_AFH_Channel_Map command failed. See [Vol 1] Part F, Controller Error Codes for a list of error codes and descriptions.

Connection_Handle: *Size: 2 octets (12 bits meaningful)*

Value	Parameter Description
0xXXXX	Connection_Handle Range: 0x0000 to 0x0EFF



AFH_Mode:

Size: 1 octet

Value	Parameter Description
0x00	AFH disabled.
0x01	AFH enabled.
All other values	Reserved for future use.

AFH_Channel_Map:

Size: 10 octets (79 bits meaningful)

Value	Parameter Description
0XXXXXXXXX XXXXXXXXXX XXX	<p>If AFH_Mode is not AFH enabled then the contents of this parameter are reserved for future use. Otherwise:</p> <p>This parameter contains 80 1-bit fields.</p> <p>The n^{th} such field (in the range 0 to 78) contains the value for channel n:</p> <p>0: channel n is unused 1: channel n is used</p> <p>The most significant bit (bit 79) is reserved for future use</p>

Event(s) generated (unless masked away):

When the HCI_Read_AFH_Channel_Map command has completed, an HCI_Command_Complete event shall be generated.



7.5.6 Read Clock command

Command	OCF	Command Parameters	Return Parameters
HCI_Read_Clock	0x0007	Connection_Handle, Which_Clock	Status, Connection_Handle, Clock, Accuracy

Description:

This command reads the estimate of the value of the Bluetooth Clock from the BR/EDR Controller.

If the Which_Clock value is 0, then the Connection_Handle shall be ignored, the local Bluetooth Clock value shall be returned and the accuracy parameter shall be set to 0.

If the Which_Clock value is 1, then the Connection_Handle shall be a valid ACL Connection_Handle. If the current role of this ACL connection is Central, then the Bluetooth Clock of this device shall be returned. If the current role is Peripheral, then an estimate of the Bluetooth Clock of the remote Central and the accuracy of this value shall be returned.

The accuracy reflects the clock drift that might have occurred since the Peripheral last received a valid transmission from the Central.

Note: The Bluetooth Clock has a minimum accuracy of 250 ppm, or about 22 seconds drift in one day.

Note: See [Vol 2] Part B, Section 1.1 for more information about the Bluetooth Clock.

Command parameters:

Connection_Handle: *Size: 2 octets (12 bits meaningful)*

Value	Parameter Description
0xXXXX	Connection_Handle Range: 0x0000 to 0x0EFF

Which_Clock: *Size 1 octet*

Value	Parameter Description
0xXX	0x00 = Local Clock (Connection_Handle does not have to be valid) 0x01 = Piconet Clock (Connection_Handle shall be valid) 0x02 to 0xFF = Reserved for future use



Return parameters:

Status:

Size: 1 octet

Value	Parameter Description
0x00	HCI_Read_Clock command succeeded.
0x01 to 0xFF	HCI_Read_Clock command failed. See [Vol 1] Part F, Controller Error Codes for a list of error codes and descriptions.

Connection_Handle:

Size: 2 octets (12 bits meaningful)

Value	Parameter Description
0xXXXX	The Connection_Handle for the connection for which the Central's clock has been read. If the Which_Clock parameter was 0, then the Connection_Handle is reserved for future use. Range: 0x0000 to 0x0EFF

Clock:

Size: 4 octets (28 bits meaningful)

Value	Parameter Description
0XXXXXXXX	Bluetooth Clock of the device requested.

Accuracy:

Size: 2 octets

Value	Parameter Description
0xXXXX	Maximum (absolute) error in the Bluetooth Clock. Value of 0xFFFF means Unknown. Accuracy = $\pm N \times 0.3125$ ms (1 Bluetooth Clock) Range: 0x0000 to 0xFFFE Time Range: 0 to 20479.375 ms

Event(s) generated (unless masked away):

When the HCI_Read_Clock command has completed, an HCI_Command_-Complete event shall be generated.



7.5.7 Read Encryption Key Size command

Command	OCF	Command Parameters	Return Parameters
HCI_Read_ - Encryption_Key_Size	0x0008	Connection_Handle	Status, Connection_Handle, Key_Size

Description:

This command reads the current encryption key size associated with the Connection_Handle. The Connection_Handle shall be a Connection_Handle for an active ACL connection.

All BR/EDR Controllers shall implement this command.

Command parameters:

Connection_Handle: *Size: 2 octets (12 bits meaningful)*

Value	Parameter Description
0xXXXX	Connection_Handle Range: 0x0000 to 0x0EFF

Return parameters:

Status: *Size: 1 octet*

Value	Parameter Description
0x00	Read_Encryption_Key_Size succeeded
0x01 to 0xFF	Read_Encryption_Key_Size failed. See [Vol 1] Part F, Controller Error Codes for a list of error codes and descriptions.

Connection_Handle: *Size: 2 octets (12 bits meaningful)*

Value	Parameter Description
0xXXXX	Connection_Handle Range: 0x0000 to 0x0EFF

Key_Size: *Size: 1 octet*

Value	Parameter Description
0xXX	Encryption key size. See [Vol 2] Part C, Section 5.2 .

**Event(s) generated (unless masked away):**

When the HCI_Read_Encryption_Key_Size command has completed, an HCI_Command_Complete event shall be generated.

If the ACL connection associated with the Connection_Handle is not encrypted, the Controller shall return an HCI_Command_Complete event with the error code *Insufficient Security* (0x2F).



7.5.8 [This section is no longer used]

7.5.9 [This section is no longer used]

7.5.10 [This section is no longer used]



7.5.11 Get MWS Transport Layer Configuration command

Command	OCF	Command Parameters	Return Parameters
HCI_Get_MWS_Transport_Layer_Configuration	0x000C	<i>none</i>	Status, Num_Transports, Transport_Layer[i], Num_Baud_Rates[i], To_MWS_Baud_Rate[k], From_MWS_Baud_Rate[k]

The order of the return parameters in an HCI event packet is:

- Status
- Num_Transports
- Transport_Layer[0]
- Num_Baud_Rates[0]
- ...
- Transport_Layer[n]
- Num_Baud_Rates[n]
- To_MWS_Baud_Rate[0]
- From_MWS_Baud_Rate[0]
- ...
- To_MWS_Baud_Rate[m]
- From_MWS_Baud_Rate[m]

Description:

The HCI_Get_MWS_Transport_Layer_Configuration command is used to inform the Host of the Baud rates supported by the Controller for the transport layer.

The Num_Transports parameter is used to indicate the number of MWS coexistence transport interfaces supported by the Controller.

The Num_Baud_Rates[i] parameter indicates the number of supported baud rates for each transport.

The To_MWS_Baud_Rate[k] parameters indicate the supported baud rates in the direction from Bluetooth to MWS for each transport.

The From_MWS_Baud_Rate[k] parameters indicate the supported baud rates in the direction from MWS to Bluetooth for each transport.



If one direction has more supported rates than the other direction, the Controller shall - in the direction with less supported rates - fill with sufficient zeros to produce the same number of values. The rates for the two directions are not necessarily paired.

Command parameters:

None.

Return parameters:

Status: *Size: 1 octet*

Value	Parameter Description
0x00	HCI_Get_MWS_Transport_Layer_Configuration command succeeded.
0x01 to 0xFF	HCI_Get_MWS_Transport_Layer_Configuration command failed. See [Vol 1] Part F, Controller Error Codes, for error codes and descriptions.

Num_Transports: *Size: 1 octet*

Value	Parameter Description
0xXX	Number of supported MWS coexistence transport layers.

Transport_Layer[i]: *Size: Num_Transports × 1 octet*

Value	Parameter Description
0xXX	See Assigned Numbers .

Num_Baud_Rates[i]: *Size: Num_Transports × 1 octet*

Value	Parameter Description
0xXX	Number of different baud rates supported for one transport.

To_MWS_Baud_Rate[k]: *Size: SUM (Num_Baud_Rates [i]) × 4 octets*

Value	Parameter Description
0XXXXXXXX	A supported Baud rate in the Bluetooth Controller to MWS Device direction in Baud. The list shall start with the first baud rate for the first transport, followed by the remaining baud rates for the first transport, followed by the baud rates for the second transport (if any), followed by baud rates for subsequent transports (if any).



From_MWS_Baud_Rate[k]: *Size: SUM (Num_Baud_Rates[i]) × 4 octets*

Value	Parameter Description
0XXXXXXXXX	A supported Baud rate in the Bluetooth Controller for signals in the MWS to Bluetooth Controller Device direction in Baud. The list shall start with the first baud rate for the first transport, followed by the remaining baud rates for the first transport, followed by the baud rates for the second transport (if any), followed by baud rates for subsequent transports (if any).

Event(s) generated (unless masked away):

When the HCI_Get_MWS_Transport_Layer_Configuration command has completed, an HCI_Command_Complete event shall be generated.



7.5.12 Set Triggered Clock Capture command

Command	OCF	Command Parameters	Return Parameters
HCI_Set_Triggered_Clock_Capture	0x000D	Connection_Handle, Enable, Which_Clock, LPO_Allowed, Num_Clock_Captures_ To_Filter	Status

Description:

The HCI_Set_Triggered_Clock_Capture command configures the BR/EDR Controller for triggered clock capturing.

Triggered clock capturing is enabled or disabled by the Enable parameter. If Enable is set to 0x00, all the other parameters (including Connection_Handle) shall be ignored.

If the Which_Clock value is 0, then the Connection_Handle shall be ignored. If the Which_Clock value is 1, then the Connection_Handle shall be a valid ACL Connection_Handle.

The LPO_Allowed parameter informs the BR/EDR Controller whether it may use a lower accuracy clock or not.

The Num_Clock_Captures_To_Filter parameter is used to filter triggered clock captures between sending HCI_Triggered_Clock_Capture events to the Host. When set to zero, all triggered clock captures shall result in an HCI_Triggered_Clock_Capture event sent to the Host. When set to a non-zero value, after every HCI_Triggered_Clock_Capture event, Num_Clock_Captures_To_Filter triggered clock captures in a row shall not trigger an event to be sent to the Host.

Note: An implementation should ensure that the rate of triggered clock captures does not overwhelm the HCI event queue and processing.

Note: See [Vol 2] Part B, Section 1.1 for more information about the Bluetooth Clock.

Command parameters:

Connection_Handle: *Size: 2 octets (12 bits meaningful)*

Value	Parameter Description
0xXXXX	Connection_Handle Range: 0x0000 to 0x0EFF



Enable:

Size: 1 octet

Value	Parameter Description
0x00	Disable triggered clock capturing on the specified Connection_Handle (Default)
0x01	Enable triggered clock capturing on the specified Connection_Handle
All other values	Reserved for future use

Which_Clock:

Size: 1 octet

Value	Parameter Description
0x00	Local Clock
0x01	Piconet Clock for the specified connection
All other values	Reserved for future use

LPO_Allowed:

Size: 1 octet

Value	Parameter Description
0x00	Controller shall not sleep (that is, clock accuracy shall be equal to or better than ± 20 ppm)
0x01	Controller may sleep (that is, clock accuracy shall be equal to or better than ± 250 ppm)
All other values	Reserved for future use

Num_Clock_Captures_To_Filter:

Size: 1 octet

Value	Parameter Description
0x00	All triggered clock captures result in an HCI_Triggered_Clock_Capture event sent to the Host
0x01 to 0xFF	Number of triggered clock captures filtered between sending an HCI_Triggered_Clock_Capture event to the Host.

Return parameters:

Status:

Size: 1 octet

Value	Parameter Description
0x00	HCI_Set_Triggered_Clock_Capture command succeeded.
0x01 to 0xFF	HCI_Set_Triggered_Clock_Capture command failed. See [Vol 1] Part F, Controller Error Codes , for error codes and descriptions.

**Event(s) generated (unless masked away):**

When the HCI_Set_Triggered_Clock_Capture command has completed, an HCI_Command_Complete event shall be sent to the Host.

When Triggered Clock Capturing is enabled, HCI_Triggered_Clock_Capture events are returned until Triggered Clock Capturing is disabled.



7.6 TESTING COMMANDS

The Testing commands are used to provide the ability to test various functional capabilities of the Bluetooth hardware. These commands provide the ability to arrange various conditions for testing.

For the Testing commands, the OGF is defined as 0x06.

7.6.1 Read Loopback Mode command

Command	OCF	Command Parameters	Return Parameters
HCI_Read_Loopback_Mode	0x0001	<i>none</i>	Status, Loopback_Mode

Description:

This command reads the value for the setting of the Controller’s Loopback mode. The setting of the Loopback_Mode parameter shall determine the path of information. In Non-testing Mode operation, the Loopback_Mode parameter is set to Non-testing Mode and the path of the information is as specified by the Bluetooth specifications. In Local Loopback Mode, every data packet (ACL, SCO and eSCO) and command packet that is sent from the Host to the Controller is sent back with no modifications by the Controller, as shown in [Figure 7.1](#). For details of loopback modes see [Section 7.6.2](#).

Command parameters:

None.

Return parameters:

Status:

Size: 1 octet

Value	Parameter Description
0x00	HCI_Read_Loopback_Mode command succeeded.
0x01 to 0xFF	HCI_Read_Loopback_Mode command failed. See [Vol 1] Part F, Controller Error Codes for a list of error codes and descriptions.

Loopback_Mode:

Size: 1 octet

Value	Parameter Description
0x00	No Loopback mode enabled (default).
0x01	Enable Local Loopback.
0x02	Enable Remote Loopback.
All other values	Reserved for future use.

**Event(s) generated (unless masked away):**

When the HCI_Read_Loopback_Mode command has completed, an HCI_Command_Complete event shall be generated.



7.6.2 Write Loopback Mode command

Command	OCF	Command Parameters	Return Parameters
HCI_Write_Loopback_Mode	0x0002	Loopback_Mode	Status

Description:

This command writes the value for the setting of the BR/EDR Controller's Loopback mode. The setting of the Loopback_Mode parameter shall determine the path of information. In Non-testing mode operation, the Loopback_Mode parameter is set to Non-testing mode and the path of the information as specified by the Bluetooth specifications. In Local Loopback mode, every data packet (ACL, SCO and eSCO) and command packet that is sent from the Host to the BR/EDR Controller is sent back with no modifications by the BR/EDR Controller, as shown in [Figure 7.1](#).

When the BR/EDR Controller enters Local Loopback mode, it shall respond with one to four Connection_Handles, one for an ACL connection and zero to three for synchronous connections. The Host should use these Connection_Handles when sending data in Local Loopback mode. The number of Connection_Handles returned for synchronous connections (between zero and three) is implementation specific. When in Local Loopback mode, the BR/EDR Controller loops back commands and data to the Host. The HCI_Loopback_Command event is used to loop back commands that the Host sends to the Controller.

There are some commands that are not looped back in Local Loopback mode: HCI_Reset, HCI_Set_Controller_To_Host_Flow_Control, HCI_Host_Buffer_Size, HCI_Host_Number_Of_Completed_Packets, HCI_Read_Buffer_Size, HCI_Read_Loopback_Mode and HCI_Write_Loopback_Mode. These commands should be executed in the way they are normally executed. The commands HCI_Reset and HCI_Write_Loopback_Mode can be used to exit Local Loopback mode.

If HCI_Write_Loopback_Mode is used to exit Local Loopback mode on a BR/EDR Controller, HCI_Disconnection_Complete events corresponding to the HCI_Connection_Complete events that were sent when entering Local Loopback mode should be sent to the Host. Furthermore, no connections are allowed in Local Loopback mode. If there is a connection, and there is an attempt to set the device to Local Loopback mode, the attempt will be refused. When the device is in Local Loopback mode, the Controller will refuse incoming connection attempts. This allows the Host BR/EDR Controller Transport Layer to be tested without any other variables.

If a BR/EDR Controller is set to Remote Loopback mode, it will send back all data (ACL, SCO and eSCO) that comes over the air. It will only allow a maximum of one ACL connection and three synchronous connections, and these shall all be to the same remote device. If there are existing connections



to a remote device and there is an attempt to set the local device to Remote Loopback mode, the attempt shall be refused.

See [Figure 7.2](#), where the rightmost device is set to Remote Loopback mode and the leftmost device is set to Non-testing mode. This allows the BR/EDR Air link to be tested without any other variables.

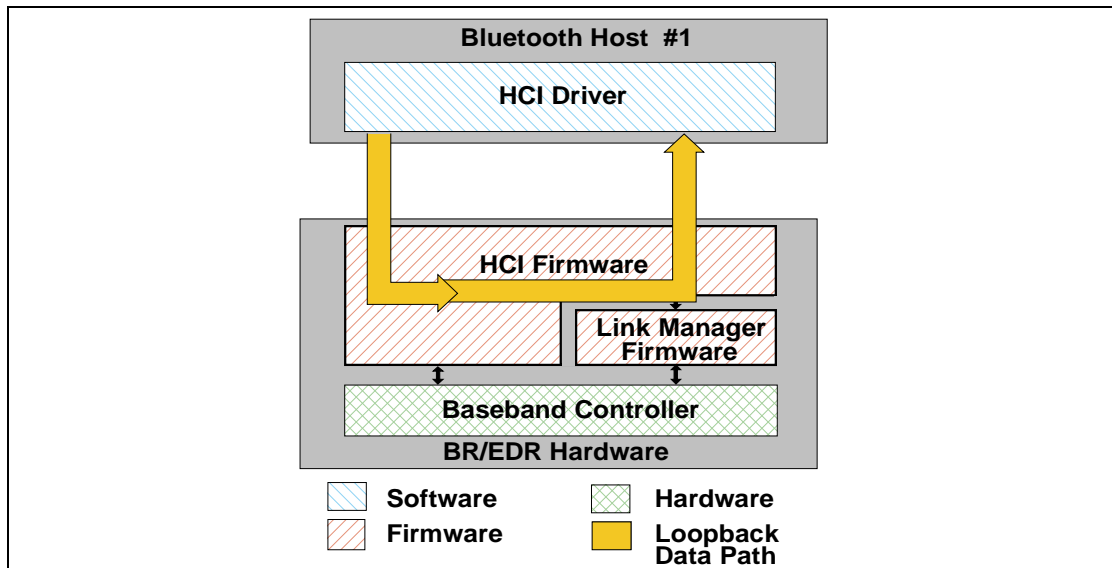


Figure 7.1: Local Loopback mode

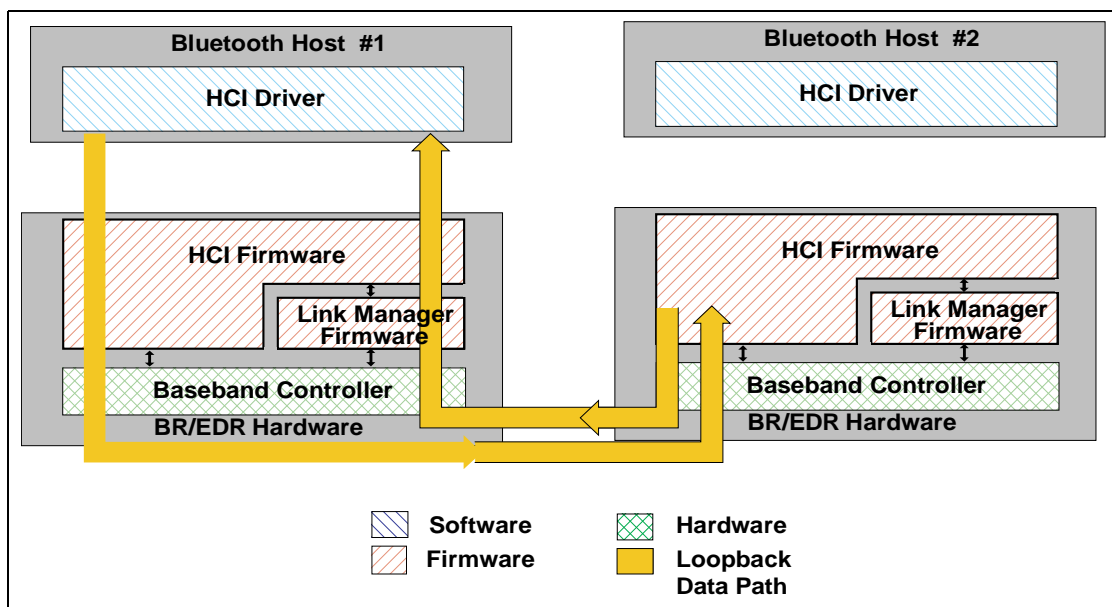


Figure 7.2: Remote Loopback mode

**Command parameters:***Loopback_Mode:**Size: 1 octet*

Value	Parameter Description
0x00	No Loopback mode enabled (default).
0x01	Enable Local Loopback.
0x02	Enable Remote Loopback.
All other values	Reserved for future use.

Return parameters:*Status:**Size: 1 octet*

Value	Parameter Description
0x00	HCI_Write_Loopback_Mode command succeeded.
0x01 to 0xFF	HCI_Write_Loopback_Mode command failed. See [Vol 1] Part F, Controller Error Codes for a list of error codes and descriptions.

Event(s) generated (unless masked away):

When the HCI_Write_Loopback_Mode command has completed, an HCI_Command_Complete event shall be generated.



7.6.3 Enable Device Under Test Mode command

Command	OCF	Command Parameters	Return Parameters
HCI_Enable_Device_Under_Test_Mode	0x0003	none	Status

Description:

The HCI_Enable_Device_Under_Test_Mode command allows the local BR/EDR Controller to enter test mode via LMP test commands for BR/EDR Controllers. For details see [\[Vol 2\] Part C, Link Manager Protocol Specification](#). The Host issues this command when it wants the local device to be the DUT for the Testing scenarios as described in [\[Vol 3\] Part D, Section 1](#). When the BR/EDR Controller receives this command, it shall complete the command with an HCI_Command_Complete event. The BR/EDR Controller functions as normal until the remote tester issues the LMP test command to place the local device into Device Under Test mode. To disable and exit the Device Under Test Mode, the Host may issue the HCI_Reset command. The local BR/EDR Controller shall not enter test mode, even if instructed by the remote BR/EDR Controller, before this command is issued.

Command parameters:

None.

Return parameters:

Status:

Size: 1 octet

Value	Parameter Description
0x00	HCI_Enter_Device_Under_Test_Mode command succeeded.
0x01 to 0xFF	HCI_Enter_Device_Under_Test_Mode command failed. See [Vol 1] Part F, Controller Error Codes for a list of error codes and descriptions.

Event(s) generated (unless masked away):

When the HCI_Enter_Device_Under_Test_Mode command has completed, an HCI_Command_Complete event shall be generated.



7.6.4 Write Simple Pairing Debug Mode command

Command	OCF	Command Parameters	Return Parameters
HCI_Write_Simple_Pairing_Debug_Mode	0x0004	Simple_Pairing_Debug_Mode	Status

Description:

This command configures the BR/EDR Controller to use a predefined Diffie Hellman private key for Secure Simple Pairing to enable debug equipment to monitor the encrypted connection.

Note: Only one side (initiator or responder) needs to set Secure Simple Pairing debug mode in order for debug equipment to be able to determine the link key and, therefore, be able to monitor the encrypted connection.

When the Simple_Pairing_Debug_Mode parameter is set to enabled the BR/EDR Controller shall use the predefined Diffie Hellman private key. The BR/EDR Controller shall also set the resulting Link_Key type to "Debug Combination Key."

When in Secure Simple Pairing debug mode, the Link Manager shall use the following Diffie Hellman private / public key pairs:

For P-192:

Private key: 07915f86918ddc27005dfd1d6cf0c142b625ed2eff4a518ff

Public key (X): 15207009984421a6586f9fc3fe7e4329d2809ea51125f8ed

Public key (Y): b09d42b81bc5bd009f79e4b59dbbaa857fca856fb9f7ea25

For P-256:

Private key: 3f49f6d4 a3c55f38 74c9b3e3 d2103f50 4aff607b eb40b799 5899b8a6 cd3c1abd

Public key (X): 20b003d2 f297be2c 5e2c83a7 e9f9a5b9 eff49111 acf4fddb cc030148 0e359de6

Public key (Y): dc809c49 652aeb6d 63329abf 5a52155c 766345c2 8fed3024 741c8ed0 1589d28b

Command parameters:

Simple_Pairing_Debug_Mode:

Size: 1 octet

Value	Parameter Description
0x00	Secure Simple Pairing debug mode disabled (default)
0x01	Secure Simple Pairing debug mode enabled
All other values	Reserved for future use

**Return parameters:***Status:**Size: 1 octet*

Value	Parameter Description
0x00	HCI_Write_Simple_Pairing_Debug_Mode command succeeded.
0x01 to 0xFF	HCI_Write_Simple_Pairing_Debug_Mode command failed. See [Vol 1] Part F, Controller Error Codes for a list of error codes and descriptions.

Event(s) generated (unless masked away):

When the HCI_Write_Simple_Pairing_Debug_Mode command has completed, an HCI_Command_Complete event shall be generated.



7.6.5 [This section is no longer used]

7.6.6 [This section is no longer used]

7.6.7 [This section is no longer used]



7.6.8 Write Secure Connections Test Mode command

Command	OCF	Command Parameters	Return Parameters
HCI_Write_Secure_Connections_Test_Mode	0x000A	Connection_Handle, DM1_ACL-U_Mode, eSCO_Loopback_Mode	Status, Connection_Handle

Description:

This command configures the BR/EDR Controller to enable and disable the two test modes used for verifying the Secure Connections feature during qualification. The DM1_ACL-U_Mode parameter enables and disables the use of DM1 packets for transmitting ACL-U data. When DM1 ACL-U Mode is disabled, ACL-U traffic may use DM1 packets. When DM1 ACL-U Mode is enabled, ACL-U traffic shall not use DM1 packets unless the Packet_Type parameter only allows DM1 packets (e.g. set to 0x3306 or 0x330E).

The command is used during testing to help make transmit ACL packet selection predictable.

The eSCO_Loopback_Mode parameter enables and disables the loopback of received eSCO payloads. When the eSCO_Loopback_Mode parameter is set to Enabled, the BR/EDR Controller will send back all eSCO data that comes over the air irrespective of whether the CRC check in the received eSCO packet passes or fails. It will only allow one synchronous connection. If there is more than one synchronous connection and there is an attempt to set the local device to eSCO_Loopback_Mode, the attempt shall be refused.

See [Figure 7.3](#), where the rightmost device has the eSCO_Loopback_Mode parameter set to enabled and the leftmost device is in a normal mode of operation. This allows the encryption and decryption of eSCO packets to be tested without any other variables.

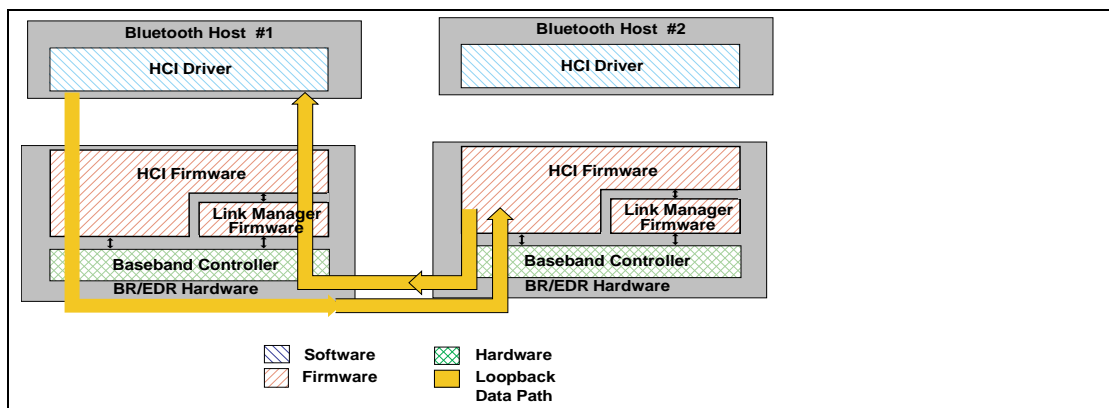


Figure 7.3: Secure Connections eSCO Loopback

The Connection_Handle shall be for an ACL connection.



When the eSCO_Loopback_Mode parameter is set to enabled, received eSCO payloads are looped back as subsequent transmitted eSCO payloads. There may be a delay of 0 or more eSCO intervals before the Controller loops back the payload. This is illustrated in Figure 7.4, Figure 7.5, and Figure 7.6.

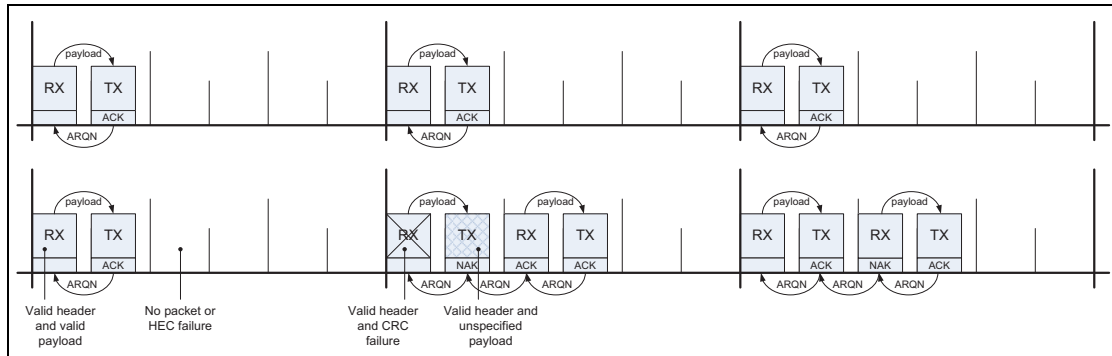


Figure 7.4: Secure Connections eSCO loopback immediate

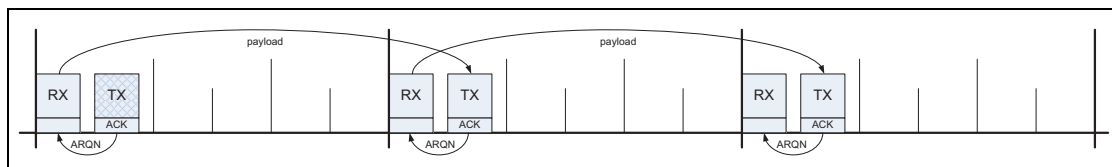


Figure 7.5: Secure Connections eSCO loopback delayed

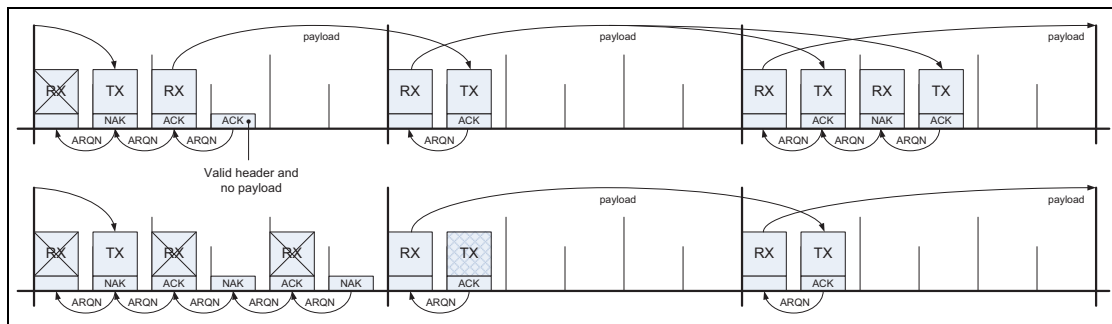


Figure 7.6: Secure Connections eSCO loopback delayed with retransmissions

Command parameters:

Connection_Handle:

Size: 2 octets (12 bits meaningful)

Value	Parameter Description
0xXXXX	Connection_Handle Range: 0x0000 to 0x0EFF

**DM1_ACL-U_Mode:***Size: 1 octet*

Value	Parameter Description
0x00	DM1 ACL-U mode disabled (default)
0x01	DM1 ACL-U mode enabled
All other values	Reserved for future use

eSCO_Loopback_Mode:*Size: 1 octet*

Value	Parameter Description
0x00	eSCO loopback mode disabled (default)
0x01	eSCO loopback mode enabled
All other values	Reserved for future use

Return parameters:**Status:***Size: 1 octet*

Value	Parameter Description
0x00	HCI_Write_Secure_Connections_Test_Mode command succeeded.
0x01 to 0xFF	HCI_Write_Secure_Connections_Test_Mode command failed. See [Vol 1] Part F, Controller Error Codes for a list of error codes and descriptions.

Connection_Handle:*Size: 2 octets (12 bits meaningful)*

Value	Parameter Description
0xFFFF	Connection_Handle Range: 0x0000 to 0x0EFF

Event(s) generated (unless masked away):

When the HCI_Write_Secure_Connections_Test_Mode command has completed, an HCI_Command_Complete event shall be generated.



7.7 EVENTS

7.7.1 Inquiry Complete event

Event	Event Code	Event Parameters
HCI_Inquiry_Complete	0x01	Status

Description:

The HCI_Inquiry_Complete event indicates that the Inquiry is finished. This event contains a Status parameter, which is used to indicate if the Inquiry completed successfully or if the Inquiry was not completed.

Event parameters:

Status:

Size: 1 octet

Value	Parameter Description
0x00	HCI_Inquiry command completed successfully.
0x01 to 0xFF	HCI_Inquiry command failed. See [Vol 1] Part F, Controller Error Codes for a list of error codes and descriptions.



7.7.2 Inquiry Result event

Event	Event Code	Event Parameters
HCI_Inquiry_Result	0x02	Num_Responses, BD_ADDR[i], Page_Scan_Repetition_Mode[i], Reserved[i], Class_Of_Device[i] Clock_Offset[i]

Description:

The HCI_Inquiry_Result event indicates that a BR/EDR Controller or multiple BR/EDR Controllers have responded so far during the current Inquiry process. This event will be sent from the BR/EDR Controller to the Host as soon as an Inquiry Response from a remote device is received if the remote device supports only mandatory paging scheme. The BR/EDR Controller may queue these Inquiry Responses and send multiple BR/EDR Controllers information in one HCI_Inquiry_Result event. The event can be used to return one or more Inquiry responses in one event.

This event is only generated if the Inquiry_Mode parameter of the last HCI_Write_Inquiry_Mode command was set to 0x00 (Standard Inquiry Result event format) or if the HCI_Write_Inquiry_Mode command has not been used.

Event parameters:

Num_Responses: *Size: 1 octet*

Value	Parameter Description
0xXX	Number of responses from the Inquiry.

BD_ADDR[i]: *Size: Num_Responses × 6 octets*

Value	Parameter Description
0XXXXXXXXXXXXX	BD_ADDR for a device which responded.

Page_Scan_Repetition_Mode[i]: *Size: Num_Responses × 1 octet*

Value	Parameter Description
0x00	R0
0x01	R1
0x02	R2
All other values	Reserved for future use

*Reserved[i]:**Size: Num_Responses × 2 octets*

Value	Parameter Description
0XXXXX	Reserved for future use.

*Class_Of_Device[i]:**Size: Num_Responses × 3 octets*

Value	Parameter Description
0XXXXXXXX	Class of Device for the device

*Clock_Offset[i]:**Size: Num_Responses × 2 octets*

Bit Number	Parameter Description
0-14	Bits 16-2 of CLKNPeripheral - CLK
15	Reserved for future use



7.7.3 Connection Complete event

Event	Event Code	Event Parameters
HCI_Connection_Complete	0x03	Status, Connection_Handle, BD_ADDR, Link_Type, Encryption_Enabled

Description:

The HCI_Connection_Complete event indicates to both of the Hosts forming the connection that a new connection has been established. This event also indicates to the Host which issued the HCI_Create_Connection, HCI_Accept_Connection_Request, or HCI_Reject_Connection_Request command, and then received an HCI_Command_Status event, if the issued command failed or was successful.

Event parameters:

Status: *Size: 1 octet*

Value	Parameter Description
0x00	Connection successfully completed.
0x01 to 0xFF	Connection failed to Complete. See [Vol 1] Part F, Controller Error Codes for a list of error codes and descriptions.

Connection_Handle: *Size: 2 octets (12 bits meaningful)*

Value	Parameter Description
0xXXXX	Connection_Handle for the new connection Range: 0x0000 to 0x0EFF

BD_ADDR: *Size: 6 octets*

Value	Parameter Description
0XXXXXXXXXXXXX	BD_ADDR of the other connected Device forming the connection.

Link_Type: *Size: 1 octet*

Value	Parameter Description
0x00	SCO connection.
0x01	ACL connection (Data Channels).
All other values	Reserved for future use.

***Encryption_Enabled:****Size: 1 octet*

Value	Parameter Description
0x00	Link level encryption disabled.
0x01	Link level encryption enabled.
All other values	Reserved for future use.



7.7.4 Connection Request event

Event	Event Code	Event Parameters
HCI_Connection_Request	0x04	BD_ADDR, Class_Of_Device, Link_Type

Description:

The HCI_Connection_Request event is used to indicate that a new incoming connection is trying to be established. The connection may either be accepted or rejected. When the Host receives this event and the link type parameter is ACL, it should respond with either an HCI_Accept_Connection_Request or HCI_Reject_Connection_Request command before the timer Connection_Accept_Timeout expires. If the link type is SCO or eSCO, the Host should reply with the HCI_Accept_Synchronous_Connection_Request command, the HCI_Enhanced_Accept_Synchronous_Connection_Request command, or the HCI_Reject_Synchronous_Connection_Request command. If the link type is SCO, the Host may respond with the HCI_Accept_Connection_Request command. If the event is responded to with the HCI_Accept_Connection_Request command, then the default parameter settings of the HCI_Accept_Synchronous_Connection_Request command (see Section 7.1.27) should be used by the local Link Manager when negotiating the SCO link parameters. In that case, the HCI_Connection_Complete event and not the HCI_Synchronous_Connection_Complete event, shall be returned on completion of the connection.

Note: See Section 7.3.3 for the behavior when the HCI_Connection_Request event is masked or the connection is auto accepted.

Event parameters:

BD_ADDR: *Size: 6 octets*

Value	Parameter Description
0xFFFFFFFFXXXX	BD_ADDR of the device that requests the connection.

Class_Of_Device: *Size: 3 octets*

Value	Parameter Description
0xFFFFFFFF	Class of Device for the device, which requests the connection.
0x000000	Unknown Class of Device

Link_Type: *Size: 1 octet*

Value	Parameter Description
0x00	SCO connection requested
0x01	ACL connection requested



Value	Parameter Description
0x02	eSCO connection requested
All other values	Reserved for future use.



7.7.5 Disconnection Complete event

Event	Event Code	Event Parameters
HCI_Disconnection_Complete	0x05	Status, Connection_Handle, Reason

Description:

The HCI_Disconnection_Complete event occurs when a connection is terminated. The status parameter indicates if the disconnection was successful or not. The reason parameter indicates the reason for the disconnection if the disconnection was successful. If the disconnection was not successful, the value of the reason parameter shall be ignored by the Host. For example, this can be the case if the Host has issued the HCI_Disconnect command and there was a parameter error, or the command was not presently allowed, or a Connection_Handle that didn't correspond to a connection was given.

If Connection_Handle identifies a CIS on the Central, the handle and the associated data paths of that CIS shall remain valid (irrespective of whether the disconnection was successful or not). If Connection_Handle identifies a CIS on the Peripheral and Status is zero, the handle and the associated data path of that CIS shall be deleted. If Connection_Handle identifies any other kind of connection and Status is zero, the handle shall be deleted.

Note: When a physical link fails, one HCI_Disconnection_Complete event will be returned for each logical channel on the physical link with the corresponding Connection_Handle as a parameter.

Event parameters:

Status: *Size: 1 octet*

Value	Parameter Description
0x00	Disconnection has occurred.
0x01 to 0xFF	Disconnection failed to complete. See [Vol 1] Part F, Controller Error Codes for a list of error codes and descriptions.

Connection_Handle: *Size: 2 octets (12 bits meaningful)*

Value	Parameter Description
0xFFFF	Connection_Handle which was disconnected. Range: 0x0000 to 0x0EFF



Reason:

Size: 1 octet

Value	Parameter Description
0xXX	Reason for disconnection. See [Vol 1] Part F, Controller Error Codes for error codes and descriptions.



7.7.6 Authentication Complete event

Event	Event Code	Event Parameters
HCI_Authentication_Complete	0x06	Status, Connection_Handle

Description:

The HCI_Authentication_Complete event occurs when authentication has been completed for the specified connection. The Connection_Handle shall be a Connection_Handle for an ACL connection.

Note: This event is only generated on the initiator of the authentication and not on the responder.

Event parameters:

Status:

Size: 1 octet

Value	Parameter Description
0x00	Authentication Request successfully completed.
0x01 to 0xFF	Authentication Request failed to complete. See [Vol 1] Part F, Controller Error Codes for a list of error codes and descriptions.

Connection_Handle:

Size: 2 octets (12 bits meaningful)

Value	Parameter Description
0xXXXX	Connection_Handle Range: 0x0000 to 0x0EFF



7.7.7 Remote Name Request Complete event

Event	Event Code	Event Parameters
HCI_Remote_Name_Request_Complete	0x07	Status, BD_ADDR, Remote_Name

Description:

The HCI_Remote_Name_Request_Complete event is used to indicate that a remote name request has been completed. The Remote_Name event parameter is a UTF-8 encoded string with the type utf8{248} defined in [Vol 1] Part E, Section 2.9.3. The BD_ADDR event parameter is used to identify which device the user-friendly name was obtained from.

Note: The Remote_Name parameter is a string parameter. Endianness does therefore not apply to the Remote_Name parameter. The first octet of the name is received first.

Event parameters:

Status: *Size: 1 octet*

Value	Parameter Description
0x00	HCI_Remote_Name_Request command succeeded.
0x01 to 0xFF	HCI_Remote_Name_Request command failed. See [Vol 1] Part F, Controller Error Codes for a list of error codes and descriptions.

BD_ADDR: *Size: 6 octets*

Value	Parameter Description
0XXXXXXXXXXXXX	BD_ADDR for the device whose name was requested.

Remote_Name: *Size: 248 octets*

Value	Parameter Description
Name[248]	A UTF-8 encoded user-friendly descriptive name for the remote device with type utf8{248}.



7.7.8 Encryption Change event

Event	Event Code	Event Parameters
HCI_Encryption_Change [v2]	0x59	Status, Connection_Handle, Encryption_Enabled, Encryption_Key_Size
HCI_Encryption_Change [v1]	0x08	Status, Connection_Handle, Encryption_Enabled

Description:

The HCI_Encryption_Change event is used to indicate that the change of the encryption mode has been completed. The Connection_Handle event parameter will be a Connection_Handle for an ACL connection and is used to identify the remote device. The Encryption_Enabled event parameter specifies the new encryption state for the connection specified by Connection_Handle. The Encryption_Key_Size event parameter specifies the size, in octets, of the key used to encrypt the link. This event will occur on both devices to notify the Hosts when encryption has changed for all connections between the two devices. This event shall not be generated if encryption is paused or resumed; during a role switch, for example.

Event parameters:

Status: *Size: 1 octet*

Value	Parameter Description
0x00	An encryption change has occurred.
0x01 to 0xFF	An attempt to change encryption failed. See [Vol 1] Part F, Controller Error Codes for a list of error codes and descriptions.

Connection_Handle: *Size: 2 octets (12 bits meaningful)*

Value	Parameter Description
0xXXXX	Connection_Handle Range: 0x0000 to 0x0EFF

Encryption_Enabled: *Size: 1 octet*

Value	Parameter Description
0x00	Link Level Encryption is OFF.
0x01	Link Level Encryption is ON with E0 for BR/EDR. Link Level Encryption is ON with AES-CCM for LE.



Value	Parameter Description
0x02	Link Level Encryption is ON with AES-CCM for BR/EDR.
All other values	Reserved for future use.

Encryption_Key_Size:

Size: 1 octet

Value	Parameter Description
0xXX	Encryption key size in octets. This parameter shall be ignored for LE connections and shall be ignored when Link Level Encryption is OFF. Range: 0x01 to 0x10



7.7.9 Change Connection Link Key Complete event

Event	Event Code	Event Parameters
HCI_Change_Connection_Link_Key_Complete	0x09	Status, Connection_Handle

Description:

The HCI_Change_Connection_Link_Key_Complete event is used to indicate that the change in the Link Key for all connections to a given remote BR/EDR Controller has been completed.

The Connection_Handle will be a Connection_Handle for an ACL connection to the remote Controller. The HCI_Change_Connection_Link_Key_Complete event is sent only to the Host which issued the HCI_Change_Connection_Link_Key command.

Event parameters:

Status:

Size: 1 octet

Value	Parameter Description
0x00	HCI_Change_Connection_Link_Key command succeeded.
0x01 to 0xFF	HCI_Change_Connection_Link_Key command failed. See [Vol 1] Part F, Controller Error Codes for a list of error codes and descriptions.

Connection_Handle:

Size: 2 octets (12 bits meaningful)

Value	Parameter Description
0xXXXX	Connection_Handle Range: 0x0000 to 0x0EFF



7.7.10 Link Key Type Changed event

Event	Event Code	Event Parameters
HCI_Link_Key_Type_Changed	0x0A	Status, Connection_Handle, Key_Flag

Description:

The HCI_Link_Key_Type_Changed event is used to indicate that the Link Key managed by the Central of the piconet has been changed. The Connection_Handle will be a Connection_Handle for an ACL connection within that piconet. The link key used for the connection will be the temporary link key or the semi-permanent link key indicated by the Key_Flag. The Key_Flag event parameter is used to indicate which Link Key (temporary link key or the semi-permanent link keys) is now being used in the piconet.

This event is also generated on the local Controller when the HCI_Link_Key_Selection command finishes because no change was requested or an error occurred. If a key change was attempted but failed, the remote Controller may generate the event.

Note: For a Central, the change from a semi-permanent Link Key to temporary Link Key will affect all Connection_Handles related to the piconet. For a Peripheral, this change affects only this particular Connection_Handle. A temporary link key must be used when both broadcast and point-to-point traffic are being encrypted (see [Vol 2] Part H, Section 3.2.6 and [Vol 2] Part H, Section 4.2).

Event parameters:

Status:

Size: 1 octet

Value	Parameter Description
0x00	HCI_Link_Key_Selection command succeeded.
0x01 to 0xFF	HCI_Link_Key_Selection command failed. See [Vol 1] Part F, Controller Error Codes for a list of error codes and descriptions.

Connection_Handle:

Size: 2 octets (12 bits meaningful)

Value	Parameter Description
0xFFFF	Connection_Handle Range: 0x0000 to 0x0EFF

**Key_Flag:***Size: 1 octet*

Value	Parameter Description
0x00	Using Semi-permanent Link Key.
0x01	Using Temporary Link Key.



7.7.11 Read Remote Supported Features Complete event

Event	Event Code	Event Parameters
HCI_Read_Remote_Supported_Features_Complete	0x0B	Status, Connection_Handle, LMP_Features

Description:

The HCI_Read_Remote_Supported_Features_Complete event is used to indicate the completion of the process of the Link Manager obtaining the supported features of the remote BR/EDR Controller specified by the Connection_Handle event parameter. The Connection_Handle will be a Connection_Handle for an ACL connection. The event parameters include a list of LMP features. For details see [\[Vol 2\] Part C, Link Manager Protocol Specification](#).

Note: If the features are requested more than once while a connection exists between the two devices, the second and subsequent requests may report a cached copy of the features rather than fetching the feature mask again.

Event parameters:

Status: *Size: 1 octet*

Value	Parameter Description
0x00	HCI_Read_Remote_Supported_Features command succeeded.
0x01 to 0xFF	HCI_Read_Remote_Supported_Features command failed. See [Vol 1] Part F, Controller Error Codes for a list of error codes and descriptions.

Connection_Handle: *Size: 2 octets (12 bits meaningful)*

Value	Parameter Description
0xXXXX	Connection_Handle Range: 0x0000 to 0x0EFF

LMP_Features: *Size: 8 octets*

Value	Parameter Description
0XXXXXXXX XXXXXXXX	Bit Mask List of LMP features. See [Vol 2] Part C, Link Manager Protocol Specification .



7.7.12 Read Remote Version Information Complete event

Event	Event Code	Event Parameters
HCI_Read_Remote_Version_Information_Complete	0x0C	Status, Connection_Handle, Version, Company_Identifier, Subversion

Description:

The HCI_Read_Remote_Version_Information_Complete event is used to indicate the completion of the process obtaining the version information of the remote Controller specified by the Connection_Handle event parameter. The Connection_Handle shall be for an ACL connection.

The Version event parameter defines the specification version of the BR/EDR or LE Controller. The Company_Identifier event parameter indicates the manufacturer of the remote Controller. The Subversion event parameter is controlled by the manufacturer and is vendor-specific. These parameters shall contain the same values as the CompanyID and SubVersion parameters in [Vol 2] Part C, Section 4.3.3 and [Vol 6] Part B, Section 2.4.2.13.

Event parameters:

Status: *Size: 1 octet*

Value	Parameter Description
0x00	HCI_Read_Remote_Version_Information command succeeded.
0x01 to 0xFF	HCI_Read_Remote_Version_Information command failed. See [Vol 1] Part F, Controller Error Codes for a list of error codes and descriptions.

Connection_Handle: *Size: 2 octets (12 bits meaningful)*

Value	Parameter Description
0xXXXX	Connection_Handle Range: 0x0000 to 0x0EFF

Version: *Size: 1 octet*

Value	Parameter Description
0xXX	Version of the Current LMP or Link Layer supported by the remote Controller. See Assigned Numbers.

Host Controller Interface Functional Specification**Company_Identifier:****Size: 2 octets**

Value	Parameter Description
0xXXXX	Company identifier for the manufacturer of the remote Controller. See Assigned Numbers .

Subversion:**Size: 2 octets**

Value	Parameter Description
0xXXXX	Revision of the LMP or Link Layer implementation in the remote Controller. This value is vendor-specific.



7.7.13 QoS Setup Complete event

Event	Event Code	Event Parameters
HCI_QoS_Setup_Complete	0x0D	Status, Connection_Handle, Unused, Service_Type, Token_Rate, Peak_Bandwidth, Latency, Delay_Variation

Description:

The HCI_QoS_Setup_Complete event is used to indicate the completion of the process of the Link Manager setting up QoS with the remote BR/EDR Controller specified by the Connection_Handle event parameter. The Connection_Handle will be a Connection_Handle for an ACL connection. For more detail see [\[Vol 3\] Part A, Logical Link Control and Adaptation Protocol Specification](#).

The Unused parameter is reserved for future use.

This event is generated following an HCI_QoS_Setup command issued by the local Host.

Note: This event or the HCI_Flow_Specification_Complete event can be generated if the remote device performs an LMP transaction involving the flow parameter values.

Event parameters:

Status:

Size: 1 octet

Value	Parameter Description
0x00	HCI_QoS_Setup command succeeded.
0x01 to 0xFF	HCI_QoS_Setup command failed. See [Vol 1] Part F, Controller Error Codes for a list of error codes and descriptions.

Connection_Handle:

Size: 2 octets (12 bits meaningful)

Value	Parameter Description
0xXXXX	Connection_Handle Range: 0x0000 to 0x0EFF



Unused:

Size: 1 octet

Value	Parameter Description
0x00	This value shall be used by the Controller.
All other values	Reserved for future use.

Service_Type:

Size: 1 octet

Value	Parameter Description
0x00	No Traffic Available.
0x01	Best Effort Available.
0x02	Guaranteed Available.
All other values	Reserved for future use.

Token_Rate:

Size: 4 octets

Value	Parameter Description
0XXXXXXXX	Available Token Rate, in octets per second.

Peak_Bandwidth:

Size: 4 octets

Value	Parameter Description
0XXXXXXXX	Available Peak Bandwidth, in octets per second.

Latency:

Size: 4 octets

Value	Parameter Description
0XXXXXXXX	Available Latency, in microseconds.

Delay_Variation:

Size: 4 octets

Value	Parameter Description
0XXXXXXXX	Available Delay Variation, in microseconds.



7.7.14 Command Complete event

Event	Event Code	Event Parameters
HCI_Command_Complete	0x0E	Num_HCI_Command_Packets, Command_Opcode, Return_Parameters

Description:

The HCI_Command_Complete event is used by the Controller for most commands to transmit return status of a command and the other event parameters that are specified for the issued HCI command.

The Num_HCI_Command_Packets event parameter allows the Controller to indicate the number of HCI command packets the Host can send to the Controller. If the Controller requires the Host to stop sending commands, the Num_HCI_Command_Packets event parameter will be set to zero. To indicate to the Host that the Controller is ready to receive HCI command packets, the Controller generates an HCI_Command_Complete event with the Command_Opcode set to 0x0000 and the Num_HCI_Command_Packets event parameter set to 1 or more. Command_Opcode 0x0000 is a special value indicating that this event is not associated with a command sent by the Host. The Controller can send an HCI_Command_Complete event with Command Opcode 0x0000 at any time to change the number of outstanding HCI command packets that the Host can send before waiting. See each command for the parameters that are returned by this event.

Event parameters:

Num_HCI_Command_Packets: *Size: 1 octet*

Value	Parameter Description
0xXX	The Number of HCI Command packets which are allowed to be sent to the Controller from the Host. Range: 0 to 255

Command_Opcode: *Size: 2 octets*

Value	Parameter Description
0x0000	No associated command
0xXXXX	(non-zero) Opcode of the command which caused this event.

*Return_Parameters:**Size: Depends on command*

Value	Parameter Description
0xXX	This is the return parameter(s) for the command specified in the Command_Opcode event parameter. See each command's definition for the list of return parameters associated with that command.



7.7.15 Command Status event

Event	Event Code	Event Parameters
HCI_Command_Status	0x0F	Status, Num_HCI_Command_Packets, Command_Opcode

Description:

The HCI_Command_Status event is used to indicate that the command described by the Command_Opcode parameter has been received, and that the Controller is currently performing the task for this command. This event is needed to provide mechanisms for asynchronous operation, which avoids the need for the Host to wait for a command to finish. If the command cannot begin to execute (a parameter error may have occurred, or the command may currently not be allowed), the Status event parameter will contain the corresponding error code, and no complete event will follow since the command was not started. The Num_HCI_Command_Packets event parameter allows the Controller to indicate the number of HCI command packets the Host can send to the Controller. If the Controller requires the Host to stop sending commands, the Num_HCI_Command_Packets event parameter will be set to zero. To indicate to the Host that the Controller is ready to receive HCI command packets, the Controller generates an HCI_Command_Status event with Status 0x00 and Command_Opcode 0x0000 and the Num_HCI_Command_Packets event parameter set to 1 or more. Command_Opcode 0x0000 is a special value indicating that this event is not associated with a command sent by the Host. The Controller can send an HCI_Command_Status event with Command Opcode 0x0000 at any time to change the number of outstanding HCI command packets that the Host can send before waiting.

Event parameters:

Status: *Size: 1 octet*

Value	Parameter Description
0x00	Command now pending.
0x01 to 0xFF	Command failed. See [Vol 1] Part F, Controller Error Codes for a list of error codes and descriptions.

Num_HCI_Command_Packets: *Size: 1 octet*

Value	Parameter Description
0xXX	The Number of HCI Command packets which are allowed to be sent to the Controller from the Host. Range: 0 to 255

**Command_Opcode:***Size: 2 octets*

Value	Parameter Description
0x0000	No associated command
0xXXXX	(non-zero) Opcode of the command which caused this event and is now pending.



7.7.16 Hardware Error event

Event	Event Code	Event Parameters
HCI_Hardware_Error	0x10	Hardware_Code

Description:

The HCI_Hardware_Error event is used to notify the Host that a hardware failure has occurred in the Controller.

Event parameters:

Hardware_Code:

Size: 1 octet

Value	Parameter Description
0x00 to 0xFF	These Hardware_Codes will be implementation-specific, and can be assigned to indicate various hardware problems.



7.7.17 Flush Occurred event

Event	Event Code	Event Parameters
HCI_Flush_Occurred	0x11	Handle

Description:

The HCI_Flush_Occurred event is used to indicate that, for the specified Handle, the current user data to be transmitted has been removed. The Handle shall be a Connection_Handle for an ACL connection. This could result from the HCI_Flush command, or be due to the automatic flush. Multiple blocks of an L2CAP packet could have been pending in the Controller. If one Baseband packet part of an L2CAP PDU is flushed, then the rest of the HCI ACL Data packets for the L2CAP PDU shall also be flushed.

Event parameters:

Handle:

Size: 2 octets (12 bits meaningful)

Value	Parameter Description
0xXXXX	Handle that was flushed. Range: 0x0000 to 0x0EFF



7.7.18 Role Change event

Event	Event Code	Event Parameters
HCI_Role_Change	0x12	Status, BD_ADDR, New_Role

Description:

The HCI_Role_Change event is used to indicate that the current role of the BR/EDR Controller related to the particular connection has changed. This event occurs (with Status set to zero) when both the remote and local BR/EDR Controllers have completed their role change for the BR/EDR Controller associated with the BD_ADDR event parameter, allowing both affected Hosts to be notified when the Role has been changed.

This event is also generated on the local Controller when the HCI_Switch_Role command finishes because no change was requested or an error occurred. If a Baseband role switch was attempted but failed, the remote Controller may generate the event.

Event parameters:

Status: *Size: 1 octet*

Value	Parameter Description
0x00	A role change has occurred.
0x01 to 0xFF	A role change failed. See [Vol 1] Part F, Controller Error Codes for a list of error codes and descriptions.

BD_ADDR: *Size: 6 octets*

Value	Parameter Description
0xFFFFFFFFXXXX	BD_ADDR of the Device for which a role change has completed.

New_Role: *Size: 1 octet*

Value	Parameter Description
0x00	Currently the Central for specified BD_ADDR.
0x01	Currently the Peripheral for specified BD_ADDR.



7.7.19 Number Of Completed Packets event

Event	Event Code	Event Parameters
HCI_Number_Of_Completed_Packets	0x13	Num_Handles, Connection_Handle[i], Num_Completed_Packets[i]

Description:

The HCI_Number_Of_Completed_Packets event is used by the Controller to indicate to the Host how many HCI Data packets or HCI ISO Data packets have been completed for each Connection_Handle since the previous HCI_Number_Of_Completed_Packets event was sent to the Host. This means that the corresponding buffer space has been freed in the Controller and is available for new packets to be sent. Based on this information and the return parameters of the HCI_Read_Buffer_Size and HCI_LE_Read_Buffer_Size commands, the Host can determine for which Connection_Handles the following HCI packets should be sent to the Controller. The HCI_Number_Of_Completed_Packets event shall not specify a given Connection_Handle before the event indicating the corresponding connection has been created or after an event indicating disconnection of the corresponding connection. While the Controller has HCI Data packets or HCI ISO Data packets in its buffer, it shall keep sending the HCI_Number_Of_Completed_Packets event to the Host at least periodically, until it finally reports that all the pending packets have been completed. The rate with which this event is sent is manufacturer specific.

Note: HCI_Number_Of_Completed_Packets events will not report on synchronous Connection_Handles if synchronous Flow Control is disabled. (See [Section 7.3.36](#) and [Section 7.3.37](#).)

Event parameters:

Num_Handles: *Size: 1 octet*

Value	Parameter Description
0xXX	The number of Connection_Handles and Num_HCI_Data_Packets parameters pairs contained in this event. Range: 0 to 255

Connection_Handle[i]: *Size: Num_Handles × 2 octets (12 bits meaningful)*

Value	Parameter Description
0XXXXX	Connection_Handle. Range: 0x0000 to 0x0EFF

*Num_Completed_Packets[i]:**Size: Num_Handles × 2 octets*

Value	Parameter Description
0xXXXX	The number of packets that have been completed for the associated Connection_Handle since the previous time the event was returned. Range: 0x0000 to 0xFFFF



7.7.20 Mode Change event

Event	Event Code	Event Parameters
HCI_Mode_Change	0x14	Status, Connection_Handle, Current_Mode, Interval

Description:

The HCI_Mode_Change event is used to indicate when the device associated with the Connection_Handle changes between Active mode, Hold mode, and Sniff mode. The Connection_Handle will be a Connection_Handle for an ACL connection. The Connection_Handle event parameter is used to indicate which connection the HCI_Mode_Change event is for. The Current_Mode event parameter is used to indicate which state the connection is currently in. The Interval parameter is used to specify a time amount specific to each state. Each Controller that is associated with the Connection_Handle which has changed modes shall send the HCI_Mode_Change event to its Host.

Event parameters:

Status:

Size: 1 octet

Value	Parameter Description
0x00	A Mode Change has occurred.
0x01 to 0xFF	HCI_Hold_Mode, HCI_Sniff_Mode, or HCI_Exit_Sniff_Mode command failed. See [Vol 1] Part F, Controller Error Codes for a list of error codes and descriptions.

Connection_Handle:

Size: 2 octets (12 bits meaningful)

Value	Parameter Description
0xFFFF	Connection_Handle. Range: 0x0000 to 0x0EFF

Current_Mode:

Size: 1 octet

Value	Parameter Description
0x00	Active mode.
0x01	Hold mode.
0x02	Sniff mode.
All other values	Reserved for future use.



Interval:

Size: 2 octets

Value	Parameter Description
N = 0xXXXX	<p>Hold: Number of Baseband slots to wait in Hold mode. Hold Interval = $N \times 0.625$ ms (1 Baseband slot) Range: 0x0002 to 0xFFFFE Time Range: 1.25 ms to 40.9 s</p> <p>Sniff: Number of Baseband slots between sniff anchor points. Time between sniff anchor points = $N \times 0.625$ ms (1 Baseband slot) Range: 0x0002 to 0xFFFFE Time Range: 1.25 ms to 40.9 s</p>



7.7.21 Return Link Keys event

Event	Event Code	Event Parameters
HCI_Return_Link_Keys	0x15	Num_Keys, BD_ADDR[i], Link_Key[i]

Description:

The HCI_Return_Link_Keys event is used by the BR/EDR Controller to send the Host the BD_ADDRs associated with one or more stored Link Keys. Zero or more instances of this event will occur after the HCI_Read_Stored_Link_Key command. When there are no link keys stored, no HCI_Return_Link_Keys events shall be returned. When there are link keys stored, the number of link keys returned in each HCI_Return_Link_Keys event is implementation specific. This event shall never return the value of the link keys. The link keys value parameter shall always contain the value of zero.

Event parameters:

Num_Keys: *Size: 1 octet*

Value	Parameter Description
0xXX	Number of Link Keys contained in this event. Range: 0x01 to 0x0B

BD_ADDR[i]: *Size: Num_Keys × 6 octets*

Value	Parameter Description
0XXXXXXXXXXXXX	BD_ADDR for the associated Link Key.

Link_Key[i]: *Size: Num_Keys × 16 octets*

Value	Parameter Description
0x000000000000 00000000000000 000000	Shall be zero.



7.7.22 PIN Code Request event

Event	Event Code	Event Parameters
HCI_PIN_Code_Request	0x16	BD_ADDR

Description:

The HCI_PIN_Code_Request event is used to indicate that a PIN code is required to create a new link key. The Host shall respond using either the HCI_PIN_Code_Request_Reply or the HCI_PIN_Code_Request_Negative_Reply command, depending on whether the Host can provide the Controller with a PIN code or not.

Note: If the HCI_PIN_Code_Request event is masked away, then the BR/EDR Controller will assume that the Host has no PIN Code.

When the BR/EDR Controller generates an HCI_PIN_Code_Request event in order for the local Link Manager to respond to the request from the remote Link Manager (as a result of an HCI_Create_Connection or HCI_Authentication_Requested command from the remote Host), the local Host shall respond with either an HCI_PIN_Code_Request_Reply or HCI_PIN_Code_Request_Negative_Reply command before the remote Link Manager detects LMP response timeout. (See [Vol 2] Part C, Link Manager Protocol Specification.)

Event parameters:

BD_ADDR:

Size: 6 octets

Value	Parameter Description
0XXXXXXXXXXXXX	BD_ADDR of the Device for which a new link key is being created.



7.7.23 Link Key Request event

Event	Event Code	Event Parameters
HCI_Link_Key_Request	0x17	BD_ADDR

Description:

The HCI_Link_Key_Request event is used to indicate that a Link Key is required for the connection with the device specified in BD_ADDR. If the Host has the requested stored Link Key, then the Host shall pass the requested Key to the Controller using the HCI_Link_Key_Request_Reply command. If the Host does not have the requested stored Link Key, or the stored Link Key does not meet the security requirements for the requested service, then the Host shall use the HCI_Link_Key_Request_Negative_Reply command to indicate to the Controller that the Host does not have the requested key.

Note: If the HCI_Link_Key_Request event is masked away, then the BR/EDR Controller will assume that the Host has no additional link keys.

If the Host uses the HCI_Link_Key_Request_Negative_Reply command when the requested service requires an authenticated Link Key and the current Link Key is unauthenticated, the Host should set the Authentication_Requirements parameter one of the MITM Protection Required options.

When the Controller generates an HCI_Link_Key_Request event in order for the local Link Manager to respond to the request from the remote Link Manager (as a result of an HCI_Create_Connection or HCI_Authentication_Requested command from the remote Host), the local Host shall respond with either an HCI_Link_Key_Request_Reply or HCI_Link_Key_Request_Negative_Reply command before the remote Link Manager detects LMP response timeout. (See [Vol 2] Part C, Link Manager Protocol Specification.)

Event parameters:

BD_ADDR:

Size: 6 octets

Value	Parameter Description
0xFFFFFFFFXXXX	BD_ADDR of the Device for which a stored link key is being requested.



7.7.24 Link Key Notification event

Event	Event Code	Event Parameters
HCI_Link_Key_Notification	0x18	BD_ADDR, Link_Key, Key_Type

Description:

The HCI_Link_Key_Notification event is used to indicate to the Host that a new Link Key has been created for the connection with the device specified in BD_ADDR. The Host can save this new Link Key in its own storage for future use. Also, the Host can decide to store the Link Key in the BR/EDR Controller’s Link Key Storage by using the HCI_Write_Stored_Link_Key command. The Key_Type event parameter informs the Host about which key type (combination key, debug combination key, unauthenticated combination key, authenticated combination key or changed combination key) was used during pairing. If the key type is not supported or is reserved for future use, the Host may discard the key or disconnect the link.

The combination key Key_Type is used when standard pairing was used. The debug combination key Key_Type is used when Secure Simple Pairing was used and the debug public key is sent or received. The unauthenticated combination key Key_Type is used when the Just Works Secure Simple Pairing association model was used. The authenticated combination key Key_Type is used when Secure Simple Pairing was used and the Just Works association mode was not used. The changed combination key Key_Type is used when the link key has been changed using the Change Connection Link Key procedure and Secure Simple Pairing Mode is set to enabled.

Note: It is the responsibility of the Host to remember the Key_Type (combination, debug combination, unauthenticated combination, or authenticated combination) prior to changing the link key.

When the unauthenticated or authenticated combination key Key_Type is used, the Controller shall use values 0x04 and 0x05 to indicate keys created with the P-192 elliptic curve and values 0x07 and 0x08 to indicate keys created with the P-256 elliptic curve. The values 0x07 and 0x08 shall only be used when the Host has indicated support for Secure Connections in the Secure_Connections_Host_Support parameter.

Event parameters:

BD_ADDR:

Size: 6 octets

Value	Parameter Description
0xFFFFFFFFXXXX	BD_ADDR of the Device for which the new link key has been generated.



Link_Key:

Size: 16 octets

Value	Parameter Description
0XXXXXXXXXXXXX XXXXXXXXXXXXX XXXXXXXXXXXXX	Link Key for the associated BD_ADDR.

Key_Type:

Size: 1 octet

Value	Parameter Description
0x00	Combination Key
0x03	Debug Combination Key
0x04	Unauthenticated Combination Key generated from P-192
0x05	Authenticated Combination Key generated from P-192
0x06	Changed Combination Key
0x07	Unauthenticated Combination Key generated from P-256
0x08	Authenticated Combination Key generated from P-256
All other values	Reserved for future use



7.7.25 Loopback Command event

Event	Event Code	Event Parameters
HCI_Loopback_Command	0x19	HCI_Command_Packet

Description:

When in Local Loopback mode, the BR/EDR Controller loops back commands and data to the Host. The HCI_Loopback_Command event is used to loop back all commands that the Host sends to the Controller with some exceptions. See [Section 7.6.1](#) for a description of which commands that are not looped back. The HCI_Command_Packet event parameter contains the entire HCI Command Packet including the header.

Note: The event packet is limited to a maximum of 255 octets in the payload; since an HCI Command packet has 3 octets of header data, only the first 252 octets of the command parameters will be returned.

Event parameters:

HCI_Command_Packet:

Size: Depends on command

Value	Parameter Description
0xXXXXXX	HCI Command packet, including header.



7.7.26 Data Buffer Overflow event

Event	Event Code	Event Parameters
HCI_Data_Buffer_Overflow	0x1A	Link_Type

Description:

This event is used to indicate that the Controller's data buffers have been overflowed. This can occur if the Host has sent more packets than allowed. The Link_Type parameter is used to indicate the type of data whose buffers overflowed.

Event parameters:

Link_Type:

Size: 1 octet

Value	Parameter Description
0x00	Synchronous Data packet buffers
0x01	ACL Data packet buffers
0x02	ISO Data packet buffers
All other values	Reserved for future use.



7.7.27 Max Slots Change event

Event	Event Code	Event Parameters
HCI_Max_Slots_Change	0x1B	Connection_Handle, LMP_Max_Slots

Description:

This event is used to notify the Host about the LMP_Max_Slots parameter when the value of this parameter changes. It shall be sent each time the maximum allowed length, in number of slots, for Baseband packets transmitted by the local device, changes. The Connection_Handle will be a Connection_Handle for an ACL connection.

Event parameters:

Connection_Handle: *Size: 2 octets (12 bits meaningful)*

Value	Parameter Description
0xXXXX	Connection_Handle. Range: 0x0000 to 0x0EFF

LMP_Max_Slots: *Size: 1 octet*

Value	Parameter Description
0x01, 0x03, 0x05	Maximum number of slots allowed to use for Baseband packets, see [Vol 2] Part C, Section 4.1.10 and Section 5.2 .



7.7.28 Read Clock Offset Complete event

Event	Event Code	Event Parameters
HCI_Read_Clock_Offset_Complete	0x1C	Status, Connection_Handle, Clock_Offset

Description:

The HCI_Read_Clock_Offset_Complete event is used to indicate the completion of the process of the Link Manager obtaining the Clock Offset information of the BR/EDR Controller specified by the Connection_Handle event parameter. The Connection_Handle will be a Connection_Handle for an ACL connection.

Event parameters:

Status:

Size: 1 octet

Value	Parameter Description
0x00	HCI_Read_Clock_Offset command succeeded.
0x01 to 0xFF	HCI_Read_Clock_Offset command failed. See [Vol 1] Part F, Controller Error Codes for a list of error codes and descriptions.

Connection_Handle:

Size: 2 octets (12 bits meaningful)

Value	Parameter Description
0xXXXX	Connection_Handle Range: 0x0000 to 0x0EFF

Clock_Offset:

Size: 2 octets

Bit Number	Parameter Description
0-14	Bits 16-2 of CLKNPeripheral - CLK
15	Reserved for future use.



7.7.29 Connection Packet Type Changed event

Event	Event Code	Event Parameters
HCI_Connection_Packet_Type_Changed	0x1D	Status, Connection_Handle, Packet_Type

Description:

The HCI_Connection_Packet_Type_Changed event is used to indicate that the process has completed of the Link Manager changing which packet types can be used for the connection. This allows current connections to be dynamically modified to support different types of user data. The Packet_Type event parameter specifies which packet types the Link Manager can use for the connection identified by the Connection_Handle event parameter for sending L2CAP data or voice. The Packet_Type event parameter does not decide which packet types the LM is allowed to use for sending LMP PDUs.

Event parameters:

Status:

Size: 1 octet

Value	Parameter Description
0x00	HCI_Change_Connection_Packet_Type command succeeded.
0x01 to 0xFF	HCI_Change_Connection_Packet_Type command failed. See [Vol 1] Part F, Controller Error Codes for a list of error codes and descriptions.

Connection_Handle:

Size: 2 octets (12 bits meaningful)

Value	Parameter Description
0xXXXX	Connection_Handle. Range: 0x0000 to 0x0EFF

Packet_Type:

Size: 2 octets

For ACL_Link_Type

Bit Number	Parameter Description
1	2-DH1 shall not be used.
2	3-DH1 shall not be used.
3	Ignored; DM1 may be used whether or not this bit is set.
4	DH1 may be used.
8	2-DH3 shall not be used.
9	3-DH3 shall not be used.
10	DM3 may be used.



Bit Number	Parameter Description
11	DH3 may be used.
12	2-DH5 shall not be used.
13	3-DH5 shall not be used.
14	DM5 may be used.
15	DH5 may be used.
All other bits	Reserved for future use.

For SCO_Link_Type

Bit Number	Parameter Description
5	HV1 may be used.
6	HV2 may be used.
7	HV3 may be used.
All other bits	Reserved for future use.



7.7.30 QoS Violation event

Event	Event Code	Event Parameters
HCI_QoS_Violation	0x1E	Handle

Description:

The HCI_QoS_Violation event is used to indicate the Controller is unable to provide the current QoS requirement for the Connection identified by the Handle. This event indicates that the Controller is unable to provide one or more of the agreed QoS parameters.

The Host chooses what action should be done; for example, it can reissue the HCI_QoS_Setup command to renegotiate the QoS setting for Connection_Handle.

Event parameters:

Handle:

Size: 2 octets (12 bits meaningful)

Value	Parameter Description
0xXXXX	Handle for the link that the Controller cannot provide the current QoS requested. The Handle is a Connection_Handle for a BR/EDR Controller. Range: 0x0000 to 0x0EFF



7.7.31 Page Scan Repetition Mode Change event

Event	Event Code	Event Parameters
HCI_Page_Scan_Repetition_Mode_Change	0x20	BD_ADDR, Page_Scan_Repetition_Mode

Description:

The HCI_Page_Scan_Repetition_Mode_Change event indicates that the remote BR/EDR Controller with the specified BD_ADDR has successfully changed the Page Scan Repetition Mode (see [Vol 2] Part B, Section 8.3.1).

Event parameters:

BD_ADDR: *Size: 6 octets*

Value	Parameter Description
0XXXXXXXXXXXXX	BD_ADDR of the remote device.

Page_Scan_Repetition_Mode: *Size: 1 octet*

Value	Parameter Description
0x00	R0
0x01	R1
0x02	R2
All other values	Reserved for future use



7.7.32 Flow Specification Complete event

Event	Event Code	Event Parameters
HCI_Flow_Specification_Complete	0x21	Status, Connection_Handle, Unused, Flow_Direction, Service_Type, Token_Rate, Token_Bucket_Size, Peak_Bandwidth, Access_Latency

Description:

The HCI_Flow_Specification_Complete event is used to inform the Host about the Quality of Service for the ACL connection the Controller is able to support. The Connection_Handle will be a Connection_Handle for an ACL connection. The flow parameters refer to the outgoing or incoming traffic of the ACL link, as indicated by the Flow_Direction field. The flow parameters are defined in the L2CAP specification [Vol 3] Part A, Section 5.3. When the Status parameter indicates a successful completion, the flow parameters specify the agreed values by the Controller. When the Status parameter indicates a failed completion with the error code *QoS Unacceptable Parameter* (0x2C), the flow parameters specify the acceptable values of the Controller. This enables the Host to continue the 'QoS negotiation' with a new HCI_Flow_Specification command with flow parameter values that are acceptable for the Controller. When the Status parameter indicates a failed completion with the error code *QoS Rejected* (0x2D), this indicates a request of the Controller to discontinue the 'QoS negotiation'. When the Status parameter indicates a failed completion, the flow parameter values of the most recently successful completion shall be assumed (or the default values when there was no success completion).

The Unused parameter is reserved for future use.

This event is generated following an HCI_Flow_Specification command issued by the local Host.

Note: This event or the HCI_QoS_Setup_Complete event can be generated if the remote device performs an LMP transaction involving the flow parameter values.



Event parameters:

Status:

Size: 1 octet

Value	Parameter Description
0x00	HCI_Flow_Specification command succeeded
0x01 to 0xFF	HCI_Flow_Specification command failed. See [Vol 1] Part F, Controller Error Codes for list of error codes

Connection_Handle:

Size: 2 octets (12 bits meaningful)

Value	Parameter Description
0xXXXX	Connection_Handle Range: 0x0000 to 0x0EFF

Unused:

Size: 1 octet

Value	Parameter Description
0x00	This value shall be used by the Controller.
All other values	Reserved for future use.

Flow_Direction:

Size: 1 octet

Value	Parameter Description
0x00	Outgoing Flow i.e., traffic sent over the ACL connection.
0x01	Incoming Flow i.e., traffic received over the ACL connection.
All other values	Reserved for future use.

Service_Type:

Size: 1 octet

Value	Parameter Description
0x00	No Traffic
0x01	Best Effort
0x02	Guaranteed
All other values	Reserved for future use

Token_Rate:

Size: 4 octets

Value	Parameter Description
0xFFFFFFFF	Token Rate in octets per second

Host Controller Interface Functional Specification**Token_Bucket_Size:***Size: 4 octets*

Value	Parameter Description
0XXXXXXXXX	Token Bucket Size in octets

Peak_Bandwidth:*Size: 4 octets*

Value	Parameter Description
0XXXXXXXXX	Peak Bandwidth in octets per second

Access_Latency:*Size: 4 octets*

Value	Parameter Description
0XXXXXXXXX	Access Latency in microseconds



7.7.33 Inquiry Result with RSSI event

Event	Event Code	Event Parameters
HCI_Inquiry_Result_with_RSSI	0x22	Num_Responses, BD_ADDR[i], Page_Scan_Repetition_Mode[i], Reserved[i], Class_Of_Device[i], Clock_Offset[i], RSSI[i]

Description:

The HCI_Inquiry_Result_with_RSSI event indicates that a BR/EDR Controller or multiple BR/EDR Controllers have responded so far during the current Inquiry process. This event will be sent from the BR/EDR Controller to the Host as soon as an Inquiry Response from a remote device is received if the remote device supports only mandatory paging scheme. This BR/EDR Controller may queue these Inquiry Responses and send multiple BR/EDR Controllers information in one HCI_Inquiry_Result event. The event can be used to return one or more Inquiry responses in one event. The RSSI parameter is measured during the FHS packet returned by each responding Peripheral.

This event shall only be generated if the Inquiry Mode parameter of the last HCI_Write_Inquiry_Mode command was set to 0x01 (Inquiry Result format with RSSI), or was set to 0x02 (Inquiry Result with RSSI format or Extended Inquiry Result format) and the inquiry response packet had the EIR field set to 0.

Event parameters:

Num_Responses: *Size: 1 octet*

Value	Parameter Description
0xXX	Number of responses from the Inquiry.

BD_ADDR[i]: *Size: Num_Responses × 6 octets*

Value	Parameter Description
0XXXXXXXXXXXXX	BD_ADDR for a device which responded.



Page_Scan_Repetition_Mode[j]:

Size: Num_Responses × 1 octet

Value	Parameter Description
0x00	R0
0x01	R1
0x02	R2
All other values	Reserved for future use

Reserved[j]:

Size: Num_Responses × 1 octet

Value	Parameter Description
0xXX	Reserved for future use.

Class_Of_Device[j]:

Size: Num_Responses × 3 octets

Value	Parameter Description
0xXXXXXX	Class of Device for the device

Clock_Offset[j]:

Size: Num_Responses × 2 octets

Bit Number	Parameter Description
0-14	Bits 16-2 of CLKNPeripheral - CLK
15	Reserved for future use

RSSI[j]:

Size: Num_Responses × 1 octet

Value	Parameter Description
0xXX	Range: -127 to +20 Units: dBm



7.7.34 Read Remote Extended Features Complete event

Event	Event Code	Event Parameters
HCI_Read_Remote_Extended_Features_Complete	0x23	Status, Connection_Handle, Page_Number, Max_Page_Number, Extended_LMP_Features

Description:

The HCI_Read_Remote_Extended_Features_Complete event is used to indicate the completion of the process of the Link Manager obtaining the remote extended LMP features of the remote device specified by the Connection_Handle event parameter. The Connection_Handle will be a Connection_Handle for an ACL connection. The event parameters include a page of the remote devices extended LMP features. For details see [Vol 2] Part C, Link Manager Protocol Specification.

Note: If a feature page is requested more than once while a connection exists between the two devices, the second and subsequent requests may report a cached copy of that page rather than fetching it again.

Event parameters:

Status:

Size: 1 octet

Value	Parameter Description
0x00	Request for remote extended features succeeded
0x01 to 0xFF	Request for remote extended features failed. See [Vol 1] Part F, Controller Error Codes for error codes.

Connection_Handle:

Size: 2 octets (12 bits meaningful)

Value	Parameter Description
0xXXXX	Connection_Handle Range: 0x0000 to 0x0EFF

Page_Number:

Size: 1 octet

Value	Parameter Description
0x00	The normal LMP features as returned by HCI_Read_Remote_Supported_Features command
0x01 to 0xFF	The page number of the features returned



Max_Page_Number:

Size: 1 octet

Value	Parameter Description
0x00 to 0xFF	The highest features page number which contains non-zero bits for the remote device

Extended_LMP_Features:

Size: 8 octets

Value	Parameter Description
0XXXXXXXXXXXXXXXXXX	Bit map of requested page of LMP features. See LMP [Vol 2] Part C, Section 3.3 for details.



7.7.35 Synchronous Connection Complete event

Event	Event Code	Event Parameters
HCI_Synchronous_ - Connection_Complete	0x2C	Status, Connection_Handle, BD_ADDR, Link_Type, Transmission_Interval, Retransmission_Window, RX_Packet_Length, TX_Packet_Length, Air_Mode

Description:

The HCI_Synchronous_Connection_Complete event is sent to indicate completion of any of the following commands:

- HCI_Setup_Synchronous_Connection
- HCI_Accept_Synchronous_Connection_Request
- HCI_Reject_Synchronous_Connection_Request
- HCI_Enhanced_Setup_Synchronous_Connection
- HCI_Enhanced_Accept_Synchronous_Connection_Request

This event returns the completion status for the command.

If the HCI_Synchronous_Connection_Complete event was triggered by the HCI_Enhanced_Setup_Synchronous_Connection or HCI_Enhanced_Accept_Synchronous_Connection_Request commands, then the Controller shall set the Air_Mode parameter to the first octet of the Transmit_Coding_Format parameter of the original command. Otherwise the Controller should set the Air_Mode parameter to the Air_Mode that was negotiated over LMP for the connection.

Event parameters:

Status:

Size: 1 octet

Value	Parameter Description
0x00	Connection successfully completed.
0x01 to 0xFF	Connection failed to complete. See [Vol 1] Part F, Controller Error Codes for error codes and descriptions.



Connection_Handle: *Size: 2 octets (12 bits meaningful)*

Value	Parameter Description
0xXXXX	Connection_Handle Range: 0x0000 to 0x0EFF

BD_ADDR: *Size: 6 octets*

Value	Parameter Description
0XXXXXXXXXXXX	BD_ADDR of the other connected device forming the connection.

Link_Type: *Size: 1 octet*

Value	Parameter Description
0x00	SCO connection
0x01	Reserved for future use
0x02	eSCO connection
All other values	Reserved for future use

Transmission_Interval: *Size: 1 octet*

Value	Parameter Description
0xXX	Time between two consecutive eSCO instants measured in slots. Shall be zero for SCO links.

Retransmission_Window: *Size: 1 octet*

Value	Parameter Description
0xXX	The size of the retransmission window measured in slots. Shall be zero for SCO links.

RX_Packet_Length: *Size: 2 octets*

Value	Parameter Description
0XXXX	Length in bytes of the eSCO payload in the receive direction. Shall be zero for SCO links.

TX_Packet_Length: *Size: 2 octets*

Value	Parameter Description
0XXXX	Length in bytes of the eSCO payload in the transmit direction. Shall be zero for SCO links.

Host Controller Interface Functional Specification*Air_Mode:**Size: 1 octet*

Value	Parameter Description
0xXX	See Assigned Numbers for Coding_Format



7.7.36 Synchronous Connection Changed event

Event	Event Code	Event Parameters
HCI_Synchronous_Connection_Changed	0x2D	Status, Connection_Handle, Transmission_Interval, Retransmission_Window, RX_Packet_Length, TX_Packet_Length

Description:

The HCI_Synchronous_Connection_Changed event indicates to the Host that an existing synchronous connection has been reconfigured. This event also indicates to the initiating Host (if the change was Host initiated) if the issued command failed or was successful.

Event parameters:

Status: *Size: 1 octet*

Value	Parameter Description
0x00	Connection successfully reconfigured.
0x01 to 0xFF	Reconfiguration failed to complete. See [Vol 1] Part F, Controller Error Codes for error codes and descriptions.

Connection_Handle: *Size: 2 octets (12 bits meaningful)*

Value	Parameter Description
0xXXXX	Connection_Handle Range: 0x0000 to 0x0EFF

Transmission_Interval: *Size: 1 octet*

Value	Parameter Description
0xXX	Time between two consecutive SCO/eSCO instants measured in slots.

Retransmission_Window: *Size: 1 octet*

Value	Parameter Description
0xXX	The size of the retransmission window measured in slots. Shall be zero for SCO links.

**RX_Packet_Length:***Size: 2 octets*

Value	Parameter Description
0xXXXX	Length in bytes of the SCO/eSCO payload in the receive direction.

TX_Packet_Length:*Size: 2 octets*

Value	Parameter Description
0xXXXX	Length in bytes of the SCO/eSCO payload in the transmit direction.



7.7.37 Sniff Subrating event

Event	Event Code	Event Parameters
HCI_Sniff_Subrating	0x2E	Status, Connection_Handle, Max_TX_Latency, Max_RX_Latency, Min_Remote_Timeout, Min_Local_Timeout

Description:

The HCI_Sniff_Subrating event indicates that the device associated with the Connection_Handle has either enabled sniff subrating or the sniff subrating parameters have been renegotiated by the link manager. The Connection_Handle will be a Connection_Handle for an ACL connection. The Connection_Handle event parameter indicates which connection the HCI_Sniff_Subrating event is for.

Each BR/EDR Controller that is associated with the Connection_Handle that has changed its subrating parameters will send the Sniff Subrating event to its Host.

Event parameters:

Status:

Size: 1 octet

Value	Parameter Description
0x00	HCI_Sniff_Subrating command succeeded
0x01 to 0xFF	HCI_Sniff_Subrating command failed to complete. See [Vol 1] Part F, Controller Error Codes for error codes and descriptions.

Connection_Handle:

Size: 2 octets (12 bits meaningful)

Value	Parameter Description
0xXXXX	Connection_Handle. Range: 0x0000 to 0x0EFF



Max_TX_Latency:

Size: 2 octets

Value	Parameter Description
N = 0xXXXX	Maximum latency for data being transmitted from the local device to the remote device. Latency = N × 0.625 ms (1 Baseband slot) Range: 0x0000 to 0xFFFFE Time Range: 0 s to 40.9 s

Max_RX_Latency:

Size: 2 octets

Value	Parameter Description
N = 0xXXXX	Maximum latency for data being received by the local device from the remote device. Latency = N × 0.625 ms (1 Baseband slot) Range: 0x0000 to 0xFFFFE Time Range: 0 s to 40.9 s

Min_Remote_Timeout:

Size: 2 octets

Value	Parameter Description
N = 0xXXXX	The base sniff subrate timeout in Baseband slots that the remote device shall use. Timeout = N × 0.625 ms (1 Baseband slot) Range: 0x0000 to 0xFFFFE Time Range: 0 s to 40.9 s

Min_Local_Timeout:

Size: 2 octets

Value	Parameter Description
N = 0xXXXX	The base sniff subrate timeout in Baseband slots that the local device will use. Timeout = N × 0.625 ms (1 Baseband slot) Range: 0x0000 to 0xFFFFE Time Range: 0 s to 40.9 s



7.7.38 Extended Inquiry Result event

Event	Event Code	Event Parameters
HCI_Extended_Inquiry_Result	0x2F	Num_Responses, BD_ADDR, Page_Scan_Repetition_Mode, Reserved, Class_Of_Device, Clock_Offset, RSSI, Extended_Inquiry_Response

Description:

The HCI_Extended_Inquiry_Result event indicates that a BR/EDR Controller has responded during the current inquiry process with extended inquiry response data. This event will be sent from the BR/EDR Controller to the Host upon reception of an Extended Inquiry Response from a remote device. One single Extended Inquiry Response is returned per event. This event contains RSSI and inquiry response data for the BR/EDR Controller that responded to the latest inquiry. The RSSI parameter is measured during the FHS packet returned by each responding Peripheral. The Num_Responses parameter shall be set to one.

This event is only generated if the Inquiry_Mode parameter of the last HCI_Write_Inquiry_Mode command was set to 0x02 (Inquiry Result with RSSI format or Extended Inquiry Result format).

Note: This ensures that a Host that does not support Extended Inquiry Results will never receive the HCI_Extended_Inquiry_Result event.

If an inquiry response packet with the EIR field set to zero is received, the HCI_Inquiry_Result_with_RSSI event format shall be used. If the EIR bit is set to one the HCI_Extended_Inquiry_Result event format shall be used. If the EIR bit is set to one but the Controller failed to receive the extended inquiry response packet, the Extended_Inquiry_Response parameter is set to zeros. If an extended inquiry response packet from the same device is correctly received in a later response, another event shall be generated.

Note: The only difference between the HCI_Extended_Inquiry_Result event and the HCI_Inquiry_Result_with_RSSI event is the additional Extended_Inquiry_Response parameter.

Note: The Extended_Inquiry_Response parameter is not interpreted by the Controller. The tagged data set by the other Host should be passed unaltered if it has been correctly received.

**Event parameters:***Num_Responses:**Size: 1 octet*

Value	Parameter Description
0x01	Number of responses from the inquiry. The HCI_Extended_Inquiry_Result event always contains a single response.

*BD_ADDR:**Size: 6 octets*

Value	Parameter Description
0XXXXXXXXXXXXX	BD_ADDR for the device that responded.

*Page_Scan_Repetition_Mode:**Size: 1 octet*

Value	Parameter Description
0x00	R0
0x01	R1
0x02	R2
All other values	Reserved for future use

*Reserved:**Size: 1 octet*

Value	Parameter Description
0xXX	Reserved for future use.

*Class_Of_Device:**Size: 3 octets*

Value	Parameter Description
0XXXXXX	Class of Device for the device that responded.

*Clock_Offset:**Size: 2 octets*

Bit Number	Parameter Description
0-14	Bits 16-2 of CLKNPeripheral - CLK
15	Reserved for future use.

*RSSI:**Size: 1 octet*

Value	Parameter Description
0xXX	Range: -127 to +20 Units: dBm

*Extended_Inquiry_Response:**Size: 240 octets*

Value	Parameter Description
<i>none</i>	Extended Inquiry Response data as defined in [Vol 3] Part C, Section 8



7.7.39 Encryption Key Refresh Complete event

Event	Event Code	Event Parameters
HCI_Encryption_ - Key_Refresh_- Complete	0x30	Status, Connection_Handle

Description:

The HCI_Encryption_Key_Refresh_Complete event is used to indicate to the Host that the encryption key was refreshed on the given Connection_Handle any time encryption is paused and then resumed. The Controller shall send this event when the encryption key has been refreshed due to encryption being started or resumed.

If the HCI_Encryption_Key_Refresh_Complete event was generated due to an encryption pause and resume operation embedded within a change connection link key procedure, the HCI_Encryption_Key_Refresh_Complete event shall be sent prior to the HCI_Change_Connection_Link_Key_Complete event.

If the HCI_Encryption_Key_Refresh_Complete event was generated due to an encryption pause and resume operation embedded within a role switch procedure, the HCI_Encryption_Key_Refresh_Complete event shall be sent prior to the HCI_Role_Change event.

Event parameters:

Status:

Size: 1 octet

Value	Parameter Description
0x00	Encryption key refresh completed successfully
0x01 to 0xFF	Encryption key refresh failed. See [Vol 1] Part F, Controller Error Codes for list of error codes

Connection_Handle:

Size: 2 octets (12 bits meaningful)

Value	Parameter Description
0xXXXX	Connection_Handle Range: 0x0000 to 0x0EFF



7.7.40 IO Capability Request event

Event	Event Code	Event Parameters
HCI_IO_Capability_Request	0x31	BD_ADDR

Description:

The HCI_IO_Capability_Request event is used to indicate that the IO capabilities of the Host are required for a Secure Simple Pairing process. The Host shall respond with an HCI_IO_Capability_Request_Reply command or HCI_IO_Capability_Request_Negative_Reply command. This event shall only be generated if Secure Simple Pairing has been enabled with the HCI_Write_Simple_Pairing_Mode command.

Event parameters:

BD_ADDR:

Size: 6 octets

Value	Parameter Description
0XXXXXXXXXXXXX	BD_ADDR of remote device involved in the Secure Simple Pairing process



7.7.41 IO Capability Response event

Event	Event Code	Event Parameters
HCI_IO_Capability_Response	0x32	BD_ADDR, IO_Capability, OOB_Data_Present, Authentication_Requirements

Description:

The HCI_IO_Capability_Response event is used to indicate to the Host that IO capabilities from a remote device specified by BD_ADDR have been received during a Secure Simple Pairing process. This event will only be generated if Secure Simple Pairing has been enabled with the HCI_Write_Simple_Pairing_Mode command.

Event parameters:

BD_ADDR: *Size: 6 octets*

Value	Parameter Description
0XXXXXXXXXXXXX	BD_ADDR identifying the device to which the IO capabilities apply.

IO_Capability: *Size: 1 octet*

Value	Parameter Description
0x00	DisplayOnly
0x01	DisplayYesNo
0x02	KeyboardOnly
0x03	NoInputNoOutput
All other values	Reserved for future use

OOB_Data_Present: *Size: 1 octet*

Value	Parameter Description
0x00	OOB authentication data not present
0x01	OOB authentication data from remote device present
All other values	Reserved for future use

**Authentication_Requirements:****Size: 1 octet**

Value	Parameter Description
0x00	MITM Protection Not Required – No Bonding. Numeric comparison with automatic accept allowed.
0x01	MITM Protection Required – No Bonding. Use IO Capabilities to determine authentication procedure
0x02	MITM Protection Not Required – Dedicated Bonding. Numeric comparison with automatic accept allowed.
0x03	MITM Protection Required – Dedicated Bonding. Use IO Capabilities to determine authentication procedure
0x04	MITM Protection Not Required – General Bonding. Numeric Comparison with automatic accept allowed.
0x05	MITM Protection Required – General Bonding. Use IO capabilities to determine authentication procedure.
All other values	Reserved for future use



7.7.42 User Confirmation Request event

Event	Event Code	Event Parameters
HCI_User_Confirmation_Request	0x33	BD_ADDR, Numeric_Value

Description:

The HCI_User_Confirmation_Request event is used to indicate that user confirmation of a numeric value is required. The Host shall reply with either the HCI_User_Confirmation_Request_Reply or the HCI_User_Confirmation_Request_Negative_Reply command. If the Host has output capability (DisplayYesNo or KeyboardOnly), it shall display the Numeric_Value until the HCI_Simple_Pairing_Complete event is received. It shall reply based on the yes/no response from the user. If the Host has no input and no output it shall reply with the HCI_User_Confirmation_Request_Reply command. When the Controller generates an HCI_User_Confirmation_Request event, in order for the local Link Manager to respond to the request from the remote Link Manager, the local Host shall respond with either an HCI_User_Confirmation_Request_Reply or an HCI_User_Confirmation_Request_Negative_Reply command before the remote Link Manager detects LMP response timeout. (See [Vol 2] Part C, Link Manager Protocol Specification.)

Event parameters:

BD_ADDR: *Size: 6 octets*

Value	Parameter Description
0XXXXXXXXXXXXX	BD_ADDR of device involved in the Secure Simple Pairing process.

Numeric_Value: *Size: 4 octets*

Value	Parameter Description
0x00000000 to 0x000F423F	Numeric value to be displayed. Valid values are decimal 000000 to 999999.



7.7.43 User Passkey Request event

Event	Event Code	Event Parameters
HCI_User_Passkey_Request	0x34	BD_ADDR

Description:

The HCI_User_Passkey_Request event is used to indicate that a passkey is required as part of a Secure Simple Pairing process. The Host shall respond with either an HCI_User_Passkey_Request_Reply or HCI_User_Passkey_Request_Negative_Reply command. This event will only be generated if Secure Simple Pairing has been enabled with the HCI_Write_Simple_Pairing_Mode command. When the Controller generates an HCI_User_Passkey_Request event, in order for the local Link Manager to respond to the request from the remote Link Manager, the local Host shall respond with either an HCI_User_Passkey_Request_Reply or HCI_User_Passkey_Request_Negative_Reply command before the remote Link Manager detects LMP response timeout. (See [Vol 2] Part C, Link Manager Protocol Specification.)

Event parameters:

BD_ADDR:

Size: 6 octets

Value	Parameter Description
0XXXXXXXXXXXXX	BD_ADDR of the device involved in the Secure Simple Pairing process.



7.7.44 Remote OOB Data Request event

Event	Event Code	Event Parameters
HCI_Remote_OOB_Data_Request	0x35	BD_ADDR

Description:

The HCI_Remote_OOB_Data_Request event is used to indicate that the Secure Simple Pairing Hash C and Randomizer R are required for the Secure Simple Pairing process involving the device identified by BD_ADDR. The C and R values were transferred to the Host from the remote device via an OOB mechanism. This event is sent by the Controller because the Host previously set the OOB Data Present parameter to "OOB authentication data from remote device present" in an HCI_IO_Capability_Request_Reply command. If both the Host and Controller support Secure Connections the Host shall respond with the values using the HCI_Remote_OOB_Extended_Data_Request_Reply command. Otherwise, the Host shall respond with the values using the HCI_Remote_OOB_Data_Request_Reply command. In either case, if the Host does not have the C and R values for the device, it shall respond with the HCI_Remote_OOB_Data_Request_Negative_Reply command.

Event parameters:

BD_ADDR:

Size: 6 octets

Value	Parameter Description
0XXXXXXXXXXXXX	BD_ADDR of the device from which the C and R values were received.



7.7.45 Simple Pairing Complete event

Event	Event Code	Event Parameters
HCI_Simple_Pairing_Complete	0x36	Status, BD_ADDR

Description:

The HCI_Simple_Pairing_Complete event is used to indicate that the Secure Simple Pairing process has completed. A Host that is displaying a numeric value can use this event to change its UI.

When the LMP Secure Simple Pairing sequences fail for any reason, the HCI_Simple_Pairing_Complete event shall be sent to the Host. When HCI_Simple_Pairing_Complete event is sent in response to the IO capability exchange failing, the Status parameter shall be set to the error code received from the remote device. Otherwise, the Status shall be set to the error code *Authentication Failure* (0x05).

Event parameters:

Status:

Size: 1 octet

Value	Parameter Description
0x00	Secure Simple Pairing succeeded
0x01 to 0xFF	Secure Simple Pairing failed. See [Vol 1] Part F, Controller Error Codes for a list of error codes.

BD_ADDR:

Size: 6 octets

Value	Parameter Description
0XXXXXXXXXXXX	BD_ADDR of the device involved in the Secure Simple Pairing process.



7.7.46 Link Supervision Timeout Changed event

Event	Event Code	Event Parameters
HCI_Link_Supervision_Timeout_Changed	0x38	Connection_Handle, Link_Supervision_Timeout

Description:

The HCI_Link_Supervision_Timeout_Changed event is used to notify the Peripheral's Host when the Link_Supervision_Timeout parameter is changed in the Peripheral's Controller. This event shall only be sent to the Host by the Peripheral's Controller upon receiving an LMP_SUPERVISION_TIMEOUT PDU from the Central.

Note: The Connection_Handle used for this command shall be the ACL connection of the appropriate device.

Event parameters:

Connection_Handle: *Size: 2 octets (12 bits meaningful)*

Value	Parameter Description
0xXXXX	Connection_Handle Range: 0x0000 to 0x0EFF

Link_Supervision_Timeout: *Size: 2 octets*

Value	Parameter Description
N = 0xXXXX	Measured in number of Baseband slots Link_Supervision_Timeout = N × 0.625 ms (1 Baseband slot) Range: 0x0001 to 0xFFFF Time Range: 0.625 ms to 40.9 s (0 means infinite timeout)



7.7.47 Enhanced Flush Complete event

Event	Event Code	Event Parameters
HCI_Enhanced_Flush_Complete	0x39	Handle

Description:

The HCI_Enhanced_Flush_Complete event is used to indicate that an Enhanced Flush is complete for the specified Handle.

Event parameters:

Handle:

Size: 2 octets (12 bits meaningful)

Value	Parameter Description
0xXXXX	Handle of the connection for which the Enhanced Flush was done. The Handle is a Connection_Handle for a BR/EDR Controller. Range: 0x0000 to 0x0EFF



7.7.48 User Passkey Notification event

Event	Event Code	Event Parameters
HCI_User_Passkey_Notification	0x3B	BD_ADDR, Passkey

Description:

The HCI_User_Passkey_Notification event is used to provide a passkey for the Host to display to the user as required as part of a Secure Simple Pairing process. The Passkey parameter shall be a randomly generated number (see [Vol 2] Part H, Section 2) generated by the Controller *mod* 1,000,000.

This event will be generated if the IO capabilities of the local device are DisplayOnly or DisplayYesNo and the IO capabilities of the remote device are KeyboardOnly.

This event shall only be generated if Secure Simple Pairing has been enabled with the HCI_Write_Simple_Pairing_Mode command.

Event parameters:

BD_ADDR: *Size: 6 octets*

Value	Parameter Description
0XXXXXXXXXXXXX	BD_ADDR of the device involved in the Secure Simple Pairing process.

Passkey: *Size: 4 octets*

Value	Parameter Description
0x00000000 to 0x000F423F	Passkey to be displayed. Valid values are decimal 000000 to 999999.



7.7.49 Keypress Notification event

Event	Event Code	Event Parameters
HCI_Keypress_ - Notification	0x3C	BD_ADDR, Notification_Type

Description:

The HCI_Keypress_Notification event is sent to the Host after a passkey notification has been received by the Link Manager on the given BD_ADDR. The Notification_Type parameter may be used by the Host's user interface.

Event parameters:

BD_ADDR: *Size: 6 octets*

Value	Parameter Description
0XXXXXXXXXXXXX	BD_ADDR of remote device involved in the Secure Simple Pairing process

Notification_Type: *Size: 1 octet*

Value	Parameter Description
0	Passkey entry started
1	Passkey digit entered
2	Passkey digit erased
3	Passkey cleared
4	Passkey entry completed
All other values	Reserved for future use



7.7.50 Remote Host Supported Features Notification event

Event	Event Code	Event Parameters
HCI_Remote_Host_Supported_Features_Notification	0x3D	BD_ADDR, Host_Supported_Features

Description:

The HCI_Remote_Host_Supported_Features_Notification event is used to return the LMP extended features page containing the Host features. The BD_ADDR shall be the address of the remote device.

This event shall only be generated after the LMP extended features are read from the remote device during a connection initiated by an HCI_Remote_Name_Request command.

Note: This event is not generated during a connection initiated by the HCI_Create_Connection command.

Event parameters:

BD_ADDR: *Size: 6 octets*

Value	Parameter Description
0XXXXXXXXXXXXXX	BD_ADDR of remote device.

Host_Supported_Features: *Size: 8 octets*

Value	Parameter Description
0XXXXXXXXXXXXXXXXXX	Bit map of Host Supported Features page of LMP extended features. For more information, see [Vol 2] Part C, Link Manager Protocol Specification .



7.7.51 [This section is no longer used]

7.7.52 [This section is no longer used]

7.7.53 [This section is no longer used]

7.7.54 [This section is no longer used]

7.7.55 [[This section is no longer used]

7.7.56 [This section is no longer used]

7.7.57 [This section is no longer used]

7.7.58 [This section is no longer used]



7.7.59 Number Of Completed Data Blocks event

Event	Event Code	Event Parameters
HCI_Number_Of_Completed_Data_Blocks	0x48	Total_Num_Data_Blocks, Num_Handles, Connection_Handle[i], Num_Completed_Packets[i], Num_Completed_Blocks[i]

Description:

The HCI_Number_Of_Completed_Data_Blocks event is used by the Controller to indicate to the Host how many HCI ACL Data packets have been completed (transmitted or flushed), and how many data block buffers have been freed, for each Connection_Handle since the previous HCI_Number_Of_Completed_Data_Blocks event was sent to the Host. This means that the corresponding buffer space has been freed in the Controller. Based on this information, and the Total_Num_Data_Blocks parameter, the Host can determine for which Handles the following HCI ACL Data packets should be sent to the Controller.

The Host should determine the number of blocks occupied by each ACL data packet by dividing the ACL data packet size by the Data_Block_Length parameter of the HCI_Read_Data_Block_Size command.

The Total_Num_Data_Blocks parameter indicates the total number of buffer blocks available in the Controller. Before any HCI_Number_Of_Completed_Data_Blocks event is received, the value of Total_Num_Data_Blocks from the HCI_Read_Data_Block_Size command is used. This allows the value to be updated at any time, which provides the Controller with some flexibility on its buffer allocation.

If the Controller were permitted to reduce its buffer pool in an arbitrary way then there is a potential race condition, in the case where the Host has just started to transmit a new packet. In order to prevent this race condition, the Total_Num_Data_Blocks parameter shall not indicate a reduction in the pool of blocks greater than the sum of the Num_Completed_Blocks values in this event. If a greater reduction in the block pool is required then the value 0 shall be indicated here. The value 0 has a special meaning and indicates that the Host shall re-issue the HCI_Read_Data_Block_Size command in order to find the new buffer pool size. The Host shall wait for any outstanding TX to complete and shall defer further TX until the HCI_Read_Data_Block_Size command has been issued and completed. The Controller shall reduce its allocation only after the HCI_Read_Data_Block_Size command has been issued and completed. This ensures that the race condition described above is avoided.



Event parameters:

Total_Num_Data_Blocks:

Size: 2 octets

Value	Parameter Description
0x0000	The size of the buffer pool may have changed. The Host is requested to issue an HCI_Read_Data_Block_Size command in order to determine the new value of Total_Num_Data_Blocks.
0xXXXX	Total number of data block buffers available in the Controller for the storage of data packets scheduled for transmission. This indicates the existing value is unchanged, or increased, or reduced by up to the sum of the Num_Completed_Blocks values in this command.

Num_Handles:

Size: 1 octet

Value	Parameter Description
0xXX	The number of Handles and Num_Completed_Packets and Num_Completed_Blocks parameter triples contained in this event. Range: 0 to 255

Connection_Handle[i]:

Size: Num_Handles × 2 octets(12 bits meaningful)

Value	Parameter Description
0xXXXX	Connection_Handle for a BR/EDR connection. Range: 0x0000 to 0x0EFF

Num_Completed_Packets[i]:

Size: Num_Handles × 2 octets

Value	Parameter Description
0xXXXX	The number of HCI ACL Data packets that have been completed (transmitted or flushed) for the associated Handle since the previous time that an HCI_Number_Of_Completed_Data_Blocks event provided information about this Handle. Range: 0x0000 to 0xFFFF

Num_Completed_Blocks[i]:

Size: Num_Handles × 2 octets

Value	Parameter Description
0xXXXX	The number of data blocks that have been freed for the associated Handle since the previous time that an HCI_Number_Of_Completed_Data_Blocks event provided information about this Handle. Range: 0x0000 to 0xFFFF



7.7.60 [This section is no longer used]

7.7.61 [This section is no longer used]

7.7.62 [This section is no longer used]

7.7.63 [This section is no longer used]

7.7.64 [This section is no longer used]



7.7.65 LE Meta event

Description:

The LE Meta event is used to encapsulate all LE Controller specific events. The Event Code of all LE Meta events shall be 0x3E. The Subevent_Code is the first octet of the event parameters. The Subevent_Code shall be set to one of the valid Subevent_Codes from an LE specific event. All other parameters are defined in the LE Controller specific events.

7.7.65.1 LE Connection Complete event

Event	Event Code	Event Parameters
HCI_LE_Connection_Complete	0x3E	Subevent_Code, Status, Connection_Handle, Role, Peer_Address_Type, Peer_Address, Connection_Interval, Peripheral_Latency, Supervision_Timeout, Central_Clock_Accuracy

Description:

The HCI_LE_Connection_Complete event indicates to both of the Hosts forming the connection that a new connection has been created. Upon the creation of the connection a Connection_Handle shall be assigned by the Controller, and passed to the Host in this event. If the connection creation fails this event shall be provided to the Host that had issued the HCI_LE_Create_Connection command.

This event indicates to the Host which issued an HCI_LE_Create_Connection command and received an HCI_Command_Status event if the connection creation failed or was successful.

The Central_Clock_Accuracy parameter is only valid for a Peripheral. On a Central, this parameter shall be set to 0x00.

Note: This event is not sent if the HCI_LE_Enhanced_Connection_Complete event (see [Section 7.7.65.10](#)) is unmasked.



Event parameters:

Subevent_Code: *Size: 1 octet*

Value	Parameter Description
0x01	Subevent code for the HCI_LE_Connection_Complete event

Status: *Size: 1 octet*

Value	Parameter Description
0x00	Connection successfully completed.
0x01 to 0xFF	Connection failed to complete. [Vol 1] Part F, Controller Error Codes for a list of error codes and descriptions.

Connection_Handle: *Size: 2 octets (12 bits meaningful)*

Value	Parameter Description
0xFFFF	Connection_Handle Range: 0x0000 to 0x0EFF

Role: *Size: 1 octet*

Value	Parameter Description
0x00	Connection is Central
0x01	Connection is Peripheral
All other values	Reserved for future use

Peer_Address_Type: *Size: 1 octet*

Value	Parameter Description
0x00	Peer is using a Public Device Address
0x01	Peer is using a Random Device Address
All other values	Reserved for future use

Peer_Address: *Size: 6 octets*

Value	Parameter Description
0xFFFFFFFFXXXX	Public Device Address or Random Device Address of the peer device

**Connection_Interval:***Size: 2 octets*

Value	Parameter Description
0xXXXX	Connection interval used on this connection. Range: 0x0006 to 0x0C80 Time = $N \times 1.25$ ms Time Range: 7.5 ms to 4000 ms.

Peripheral_Latency:*Size: 2 octets*

Value	Parameter Description
0xXXXX	Peripheral latency for the connection in number of connection events. Range: 0x0000 to 0x01F3

Supervision_Timeout:*Size: 2 octets*

Value	Parameter Description
0xXXXX	Connection supervision timeout. Range: 0x000A to 0x0C80 Time = $N \times 10$ ms Time Range: 100 ms to 32 s

Central_Clock_Accuracy:*Size: 1 octet*

Value	Parameter Description
0x00	500 ppm
0x01	250 ppm
0x02	150 ppm
0x03	100 ppm
0x04	75 ppm
0x05	50 ppm
0x06	30 ppm
0x07	20 ppm
All other values	Reserved for future use



7.7.65.2 LE Advertising Report event

Event	Event Code	Event Parameters
HCI_LE_Advertising_Report	0x3E	Subevent_Code, Num_Reports, Event_Type[i], Address_Type[i], Address[i], Data_Length[i], Data[i], RSSI[i]

Description:

The HCI_LE_Advertising_Report event indicates that one or more Bluetooth devices have responded to an active scan or have broadcast advertisements that were received during a passive scan. The Controller may queue these advertising reports and send information from multiple devices in one HCI_LE_Advertising_Report event.

This event shall only be generated if scanning was enabled using the HCI_LE_Set_Scan_Enable command. It only reports advertising events that used legacy advertising PDUs.

Event parameters:

Subevent_Code: *Size: 1 octet*

Value	Parameter Description
0x02	Subevent code for the HCI_LE_Advertising_Report event

Num_Reports: *Size: 1 octet*

Value	Parameter Description
0x01 to 0x19	Number of responses in event.
All other values	Reserved for future use

Event_Type[i]: *Size: Num_Reports × 1 octet*

Value	Parameter Description
0x00	Connectable and scannable undirected advertising (ADV_IND)
0x01	Connectable directed advertising (ADV_DIRECT_IND)
0x02	Scannable undirected advertising (ADV_SCAN_IND)
0x03	Non connectable undirected advertising (ADV_NONCONN_IND)



Value	Parameter Description
0x04	Scan Response (SCAN_RSP)
All other values	Reserved for future use

Address_Type[i]: *Size: Num_Reports × 1 octet*

Value	Parameter Description
0x00	Public Device Address
0x01	Random Device Address
0x02	Public Identity Address (Corresponds to Resolved Private Address)
0x03	Random (static) Identity Address (Corresponds to Resolved Private Address)
All other values	Reserved for future use

Address[i]: *Size: Num_Reports × 6 octets*

Value	Parameter Description
0XXXXXXXXXXXXX	Public Device Address, Random Device Address, Public Identity Address or Random (static) Identity Address of the advertising device.

Data_Length[i]: *Size: Num_Reports × 1 octet*

Value	Parameter Description
0x00 to 0x1F	Length of the Data[i] field for the device which responded.
All other values	Reserved for future use.

Data[i]: *Size: SUM (Data_Length[i]) octets*

Parameter Description
Data_Length[i] octets of advertising or scan response data formatted as defined in [Vol 3] Part C, Section 11 .
Note: Each element of this array has a variable length.

RSSI[i]: *Size: Num_Reports × 1 octet*

Value	Parameter Description
0xXX	Range: -127 to +20 Units: dBm
0x7F	RSSI is not available



7.7.65.3 LE Connection Update Complete event

Event	Event Code	Event Parameters
HCI_LE_ - Connection_ - Update_ Complete	0x3E	Subevent_Code, Status, Connection_Handle, Connection_Interval, Peripheral_Latency, Supervision_Timeout

Description:

The HCI_LE_Connection_Update_Complete event is used to indicate that the Connection Update procedure has completed.

This event shall be issued if the HCI_LE_Connection_Update command was issued by the Host or if the connection parameters are updated following a request from the peer device. If no parameters are updated following a request from the peer device or the parameters were changed using the Connection Subrate Update procedure, then this event shall not be issued.

If the Status parameter is zero and the connection interval has changed, then the Link Layer must have set the subrating factor to 1 and the continuation number to 0 (see [Vol 6] Part B, Section 5.1.1).

Note: This event can be issued autonomously by the Central’s Controller if it decides to change the connection interval based on the range of allowable connection intervals for that connection.

Note: The parameter values returned in this event may be different from the parameter values provided by the Host through the HCI_LE_Connection_ - Update command (Section 7.8.18) or the HCI_LE_Remote_Connection_ - Parameter_Request_Reply command (Section 7.8.31).

Event parameters:

Subevent_Code:

Size: 1 octet

Value	Parameter Description
0x03	Subevent code for the HCI_LE_Connection_Update_Complete event



Status:

Size: 1 octet

Value	Parameter Description
0x00	HCI_LE_Connection_Update command successfully completed.
0x01 to 0xFF	HCI_LE_Connection_Update command failed to complete. See [Vol 1] Part F, Controller Error Codes for a list of error codes and descriptions.

Connection_Handle:

Size: 2 octets (12 bits meaningful)

Value	Parameter Description
0xFFFF	Connection_Handle Range: 0x0000 to 0x0EFF

Connection_Interval:

Size: 2 octets

Value	Parameter Description
0xFFFF	Connection interval used on this connection. Range: 0x0006 to 0x0C80 Time = N × 1.25 ms Time Range: 7.5 ms to 4000 ms.

Peripheral_Latency:

Size: 2 octets

Value	Parameter Description
0xFFFF	Peripheral latency for the connection in number of subrated connection events. Range: 0x0000 to 0x01F3

Supervision_Timeout:

Size: 2 octets

Value	Parameter Description
0xFFFF	Supervision timeout for this connection. Range: 0x000A to 0x0C80 Time = N × 10 ms Time Range: 100 ms to 32000 ms



7.7.65.4 LE Read Remote Features Complete event

Event	Event Code	Event Parameters
HCI_LE_Read_Remote_Features_Complete	0x3E	Subevent_Code, Status, Connection_Handle, LE_Features

Description:

The HCI_LE_Read_Remote_Features_Complete event is used to indicate the completion of the process of the Controller obtaining the features used on the connection and the features supported by the remote Bluetooth device specified by the Connection_Handle event parameter.

Note: If the features are requested more than once while a connection exists between the two devices, the second and subsequent requests may report a cached copy of the features rather than fetching the feature mask again.

Event parameters:

Subevent_Code: *Size: 1 octet*

Value	Parameter Description
0x04	Subevent code for the HCI_LE_Read_Remote_Features_Complete event.

Status: *Size: 1 octet*

Value	Parameter Description
0x00	HCI_LE_Read_Remote_Features command successfully completed.
0x01 to 0xFF	HCI_LE_Read_Remote_Features command failed to complete. See [Vol 1] Part F, Controller Error Codes for a list of error codes and descriptions.

Connection_Handle: *Size: 2 octets (12 bits meaningful)*

Value	Parameter Description
0xXXXX	Connection_Handle Range: 0x0000 to 0x0EFF

LE_Features: *Size: 8 octets*

Value	Parameter Description
0XXXXXXXXXX XXXXXX	Bit Mask List of LE features. See [Vol 6] Part B, Section 4.6 .



7.7.65.5 LE Long Term Key Request event

Event	Event Code	Event Parameters
HCI_LE_Long_Term_Key_Request	0x3E	Subevent_Code, Connection_Handle, Random_Number, Encrypted_Diversifier

Description:

The HCI_LE_Long_Term_Key_Request event indicates that the peer device, in the Central role, is attempting to encrypt or re-encrypt the link and is requesting the Long Term Key from the Host. (See [\[Vol 6\] Part B, Section 5.1.3](#)).

This event shall only be generated when the local device’s role is Peripheral.

Event parameters:

Subevent_Code: *Size: 1 octet*

Value	Parameter Description
0x05	Subevent code for the HCI_LE_Long_Term_Key_Request event

Connection_Handle: *Size: 2 octets (12 bits meaningful)*

Value	Parameter Description
0xFFFF	Connection_Handle Range: 0x0000 to 0x0EFF

Random_Number: *Size: 8 octets*

Value	Parameter Description
0XXXXXXXXXX XXXXXX	64-bit random number.

Encrypted_Diversifier: *Size: 2 octets*

Value	Parameter Description
0XXXXX	16-bit encrypted diversifier.



7.7.65.6 LE Remote Connection Parameter Request event

Event	Event Code	Event Parameters
HCI_LE_Remote_Connection_Parameter_Request	0x3E	Subevent_Code, Connection_Handle, Interval_Min, Interval_Max, Max_Latency, Timeout

Description:

This event indicates to the Central’s Host or the Peripheral’s Host that the remote device is requesting a change in the connection parameters using the Connection Update procedure. The Host replies either with the HCI_LE_Remote_Connection_Parameter_Request_Reply command or the HCI_LE_Remote_Connection_Parameter_Request_Negative_Reply command.

Event parameters:

Subevent_Code: *Size: 1 octet*

Value	Parameter Description
0x06	Subevent code for the HCI_LE_Remote_Connection_Parameter_Request event.

Connection_Handle: *Size: 2 octets (12 bits meaningful)*

Value	Parameter Description
0xFFFF	Connection_Handle Range 0x0000 to 0x0EFF

Interval_Min: *Size: 2 octets*

Value	Parameter Description
N = 0xFFFF	Minimum value of the connection interval requested by the remote device. Range: 0x0006 to 0x0C80 Time = N × 1.25 ms Time Range: 7.5 ms to 4 s

*Interval_Max:**Size: 2 octets*

Value	Parameter Description
N = 0xXXXX	Maximum value of the connection interval requested by the remote device. Range: 0x0006 to 0x0C80 Time = $N \times 1.25$ ms Time Range: 7.5 ms to 4 s

*Max_Latency:**Size: 2 octets*

Value	Parameter Description
0xXXXX	Maximum allowed Peripheral latency for the connection specified as the number of subrated connection events requested by the remote device. Range: 0x0000 to 0x01F3 (499)

*Timeout:**Size: 2 octets*

Value	Parameter Description
N = 0xXXXX	Supervision timeout for the connection requested by the remote device. Range: 0x000A to 0x0C80 Time = $N \times 10$ ms Time Range: 100 ms to 32 s



7.7.65.7 LE Data Length Change event

Event	Event Code	Event Parameters
HCI_LE_Data_Length_Change	0x3E	Subevent_Code, Connection_Handle, Max_TX_Octets, Max_TX_Time, Max_RX_Octets, Max_RX_Time

Description:

The HCI_LE_Data_Length_Change event notifies the Host of a change to either the maximum LL Data PDU Payload length or the maximum transmission time of packets containing LL Data PDUs in either direction. The values reported are the limits imposed on the connection by the Link Layer following the change (see [Vol 6] Part B, Section 4.5.10); the actual maximum used on the connection may be less for other reasons. This event shall not be generated if the values have not changed.

Event parameters:

Subevent_Code: *Size: 1 octet*

Value	Parameter Description
0x07	Subevent code for the HCI_LE_Data_Length_Change event

Connection_Handle: *Size: 2 octets (12 bits meaningful)*

Value	Parameter Description
0xXXXX	Connection_Handle Range 0x0000 to 0x0EFF

Max_TX_Octets: *Size: 2 octets*

Value	Parameter Description
0xXXXX	The maximum number of payload octets in a LLData PDU that the local Controller will send on this connection (<i>connEffectiveMaxTxOctets</i> defined in [Vol 6] Part B, Section 4.5.10). Range 0x001B to 0x00FB

**Max_TX_Time:****Size: 2 octets**

Value	Parameter Description
0xXXXX	The maximum time that the local Controller will take to send a Link Layer packet containing an LL Data PDU on this connection (<i>connEffectiveMaxTxTime</i> defined in [Vol 6] Part B, Section 4.5.10). Range 0x0148 to 0x4290

Max_RX_Octets:**Size: 2 octets**

Value	Parameter Description
0xXXXX	The maximum number of payload octets in a Link Layer packet that the local Controller expects to receive on this connection (<i>connEffectiveMaxRxOctets</i> defined in [Vol 6] Part B, Section 4.5.10). Range 0x001B to 0x00FB

Max_RX_Time:**Size: 2 octets**

Value	Parameter Description
0xXXXX	The maximum time that the local Controller expects to take to receive a Link Layer packet on this connection (<i>connEffectiveMaxRxTime</i> defined in [Vol 6] Part B, Section 4.5.10). Range 0x0148 to 0x4290



7.7.65.8 LE Read Local P-256 Public Key Complete event

Event	Event Code	Event Parameters
HCI_LE_Read_Local_P-256_Public_Key_Complete	0x3E	Subevent_Code, Status, Key_X_Coordinate, Key_Y_Coordinate

Description:

This event is generated when local P-256 key generation is complete.

Event parameters:

Subevent_Code: *Size: 1 octet*

Value	Parameter Description
0x08	Subevent code for the HCI_LE_Read_Local_P-256_Public_Key_Complete event.

Status: *Size: 1 octet*

Value	Parameter Description
0x00	HCI_LE_Read_Local_P-256_Public_Key command completed successfully.
0x01 to 0xFF	HCI_LE_Read_Local_P-256_Public_Key command failed. See [Vol 1] Part F, Controller Error Codes for a list of error codes and descriptions.

Key_X_Coordinate: *Size: 32 octets*

Value	Parameter Description
0xFFFFFFFFFFFFFFFF XXXXXXXXXXXXXXXXXXXX XXXXXXXXXXXXXXXXXXXX XXXXXXXXXXXXXXXXXXXX	Local P-256 public key X coordinate.

Key_Y_Coordinate: *Size: 32 octets*

Value	Parameter Description
0xFFFFFFFFFFFFFFFF XXXXXXXXXXXXXXXXXXXX XXXXXXXXXXXXXXXXXXXX XXXXXXXXXXXXXXXXXXXX	Local P-256 public key Y coordinate.



7.7.65.9 LE Generate DHKey Complete event

Event	Event Code	Event Parameters
HCI_LE_Generate_DHKey_Complete	0x3E	Subevent_Code, Status, DH_Key

Description:

This event indicates that LE Diffie Hellman key generation has been completed by the Controller.

If the Remote_P-256_Public_Key parameter of the HCI_LE_Generate_DHKey command (see [Section 7.8.37](#)) was invalid (see [\[Vol 3\] Part H, Section 2.3.5.6.1](#)), then all octets of the DH_Key event parameter should be set to 0xFF.

Event parameters:

Subevent_Code: *Size: 1 octet*

Value	Parameter Description
0x09	Subevent code for the HCI_LE_Generate_DHKey_Complete event.

Status: *Size: 1 octet*

Value	Parameter Description
0x00	HCI_LE_Generate_DHKey command completed successfully.
0x01 to 0xFF	HCI_LE_Generate_DHKey command failed. See [Vol 1] Part F, Controller Error Codes for a list of error codes and descriptions.

DH_Key: *Size: 32 octets*

Value	Parameter Description
0xFFFFFFFF XXXXXXXX XXXXXXXX XXXXXXXX XXXXXXXX XXXXXXXX XXXXXXXX XXXXXXXX XXXXXXXX	Diffie Hellman Key.



7.7.65.10 LE Enhanced Connection Complete event

Event	Event Code	Event Parameters
HCI_LE_Enhanced_Connection_Complete [v2]	0x3E	Subevent_Code, Status, Connection_Handle, Role, Peer_Address_Type, Peer_Address, Local_Resolvable_Private_Address, Peer_Resolvable_Private_Address, Connection_Interval, Peripheral_Latency, Supervision_Timeout, Central_Clock_Accuracy, Advertising_Handle, Sync_Handle
HCI_LE_Enhanced_Connection_Complete [v1]	0x3E	Subevent_Code, Status, Connection_Handle, Role, Peer_Address_Type, Peer_Address, Local_Resolvable_Private_Address, Peer_Resolvable_Private_Address Connection_Interval, Peripheral_Latency, Supervision_Timeout, Central_Clock_Accuracy

Description:

The HCI_LE_Enhanced_Connection_Complete event indicates to both of the Hosts forming the connection that a new connection has been created. Upon the creation of the connection a Connection_Handle shall be assigned by the Controller, and passed to the Host in this event. If the connection creation fails, this event shall be provided to the Host that had issued the HCI_LE_Create_Connection or HCI_LE_Extended_Create_Connection command.

If this event is unmasked and the HCI_LE_Connection_Complete event is unmasked, only the HCI_LE_Enhanced_Connection_Complete event is sent when a new connection has been created.



This event indicates to the Host that issued an HCI_LE_Create_Connection or HCI_LE_Extended_Create_Connection command and received an HCI_Command_Status event if the connection creation failed or was successful.

The Peer_Address, Peer_Resolvable_Private_Address, and Local_Resolvable_Private_Address shall always reflect the most recent packet sent and received on air.

The Central_Clock_Accuracy parameter is only valid for a Peripheral. On a Central, this parameter shall be set to 0x00.

If the connection is established from periodic advertising with responses and Role is 0x00, then the Advertising_Handle parameter shall be set according to the periodic advertising train the connection was established from. If the connection is established from periodic advertising with responses and Role is 0x01, then the Sync_Handle parameter shall be set according to the periodic advertising train the connection was established from. In all other circumstances, Advertising_Handle and Sync_Handle shall be set to No Advertising_Handle and No Sync_Handle and shall be ignored by the Host.

Event parameters:

Subevent_Code: *Size: 1 octet*

Value	Parameter Description
0x29	Subevent code for the HCI_LE_Enhanced_Connection_Complete [v2] event
0x0A	Subevent code for the HCI_LE_Enhanced_Connection_Complete [v1] event

Status: *Size: 1 octet*

Value	Parameter Description
0x00	Connection successfully completed.
0x01 to 0xFF	Connection failed to complete. See [Vol 1] Part F for a list of error codes and descriptions.

Connection_Handle: *Size: 2 octets (12 bits meaningful)*

Value	Parameter Description
0xXXXX	Connection_Handle Range: 0x0000 to 0x0EFF



Role:

Size: 1 octet

Value	Parameter Description
0x00	Connection is Central
0x01	Connection is Peripheral
All other values	Reserved for future use

Peer_Address_Type:

Size: 1 octet

Value	Parameter Description
0x00	Public Device Address (default)
0x01	Random Device Address
0x02	Public Identity Address (Corresponds to Resolved Private Address)
0x03	Random (Static) Identity Address (Corresponds to Resolved Private Address)
All other values	Reserved for future use

Peer_Address:

Size: 6 octets

Value	Parameter Description
0xFFFFFFFFXXXX	Public Device Address, or Random Device Address, Public Identity Address or Random (static) Identity Address of the device to be connected.

Local_Resolvable_Private_Address:

Size: 6 octets

Value	Parameter Description
0xFFFFFFFFXXXX	Resolvable Private Address being used by the local device for this connection. This is only valid when the Own_Address_Type (from the HCI_LE_Create_Connection, HCI_LE_Set_Advertising_Parameters, HCI_LE_Set_Extended_Advertising_Parameters, or HCI_LE_Extended_Create_Connection commands) is set to 0x02 or 0x03, and the Controller generated a resolvable private address for the local device using a non-zero local IRK. For other Own_Address_Type values, the Controller shall return all zeros.

Peer_Resolvable_Private_Address:

Size: 6 octets

Value	Parameter Description
0xFFFFFFFFXXXX	Resolvable Private Address being used by the peer device for this connection. This is only valid for Peer_Address_Type 0x02 and 0x03. For other Peer_Address_Type values, the Controller shall return all zeros.



Connection_Interval:

Size: 2 octets

Value	Parameter Description
N = 0xXXXX	Connection interval used on this connection. Range: 0x0006 to 0x0C80 Time = N × 1.25 ms Time Range: 7.5 ms to 4000 ms.

Peripheral_Latency:

Size: 2 octets

Value	Parameter Description
0xXXXX	Peripheral latency for the connection in number of connection events. Range: 0x0000 to 0x01F3

Supervision_Timeout:

Size: 2 octets

Value	Parameter Description
N = 0xXXXX	Connection supervision timeout. Range: 0x000A to 0x0C80 Time = N × 10 ms Time Range: 100 ms to 32 s

Central_Clock_Accuracy:

Size: 1 octet

Value	Parameter Description
0x00	500 ppm
0x01	250 ppm
0x02	150 ppm
0x03	100 ppm
0x04	75 ppm
0x05	50 ppm
0x06	30 ppm
0x07	20 ppm
All other values	Reserved for future use

Advertising_Handle:

Size: 1 octet

Value	Parameter Description
0xXX	Used to identify an advertising set Range: 0x00 to 0xEF
0xFF	No Advertising_Handle

**Sync_Handle:****Size: 2 octets (12 bits meaningful)**

Value	Parameter Description
0xXXXX	Sync_Handle identifying the periodic advertising train Range: 0x0000 to 0x0EFF
0xFFFF	No Sync_Handle



7.7.65.11 LE Directed Advertising Report event

Event	Event Code	Event Parameters
HCI_LE_Directed_Advertising_Report	0x3E	Subevent_Code, Num_Reports, Event_Type[i], Address_Type[i], Address[i], Direct_Address_Type[i], Direct_Address[i], RSSI[i]

Description:

The HCI_LE_Directed_Advertising_Report event indicates that directed advertisements have been received where the advertiser is using a resolvable private address for the TargetA field of the advertising PDU which the Controller is unable to resolve and the Scanning_Filter_Policy is equal to 0x02 or 0x03, see [Section 7.8.10](#). Direct_Address_Type and Direct_Address specify the address the directed advertisements are being directed to. Address_Type and Address specify the address of the advertiser sending the directed advertisements. The Controller may queue these advertising reports and send information from multiple advertisers in one HCI_LE_Directed_Advertising_Report event.

This event shall only be generated if scanning was enabled using the HCI_LE_Set_Scan_Enable command. It only reports advertising events that used legacy advertising PDUs.

Event parameters:

Subevent_Code: *Size: 1 octet*

Value	Parameter Description
0x0B	Subevent code for the HCI_LE_Directed_Advertising_Report event

Num_Reports: *Size: 1 octet*

Value	Parameter Description
0x01 to 0x19	Number of responses in event
All other values	Reserved for future use



Event_Type[i]: *Size: Num_Reports × 1 octet*

Value	Parameter Description
0x01	Connectable directed legacy advertising (ADV_DIRECT_IND)
All other values	Reserved for future use

Address_Type[i]: *Size: Num_Reports × 1 octet*

Value	Parameter Description
0x00	Public Device Address (default)
0x01	Random Device Address
0x02	Public Identity Address (Corresponds to Resolved Private Address)
0x03	Random (static) Identity Address (Corresponds to Resolved Private Address)
All other values	Reserved for future use

Address[i]: *Size: Num_Reports × 6 octets*

Value	Parameter Description
0XXXXXXXXXXXXX	Public Device Address, Random Device Address, Public Identity Address or Random (static) Identity Address of the advertising device.

Direct_Address_Type[i]: *Size: Num_Reports × 1 octet*

Value	Parameter Description
0x01	Random Device Address (default)
All other values	Reserved for future use

Direct_Address[i]: *Size: Num_Reports × 6 octets*

Value	Parameter Description
0XXXXXXXXXXXXX	Random Device Address

RSSI[i]: *Size: Num_Reports × 1 octet*

Value	Parameter Description
0XX	Range: -127 to +20 Units: dBm
0x7F	RSSI is not available



7.7.65.12 LE PHY Update Complete event

Event	Event Code	Event Parameters
HCI_LE_PHY_Update_Complete	0x3E	Subevent_Code, Status, Connection_Handle, TX_PHY, RX_PHY

Description:

The HCI_LE_PHY_Update_Complete event is used to indicate that the Controller has changed the transmitter PHY or receiver PHY in use.

If the Controller changes the transmitter PHY, the receiver PHY, or both PHYs, this event shall be issued.

If an HCI_LE_Set_PHY command was sent and the Controller determines that neither PHY will change as a result, it issues this event immediately.

Event parameters:

Subevent_Code: *Size: 1 octet*

Value	Parameter Description
0x0C	Subevent code for the HCI_LE_PHY_Update_Complete event

Status: *Size: 1 octet*

Value	Parameter Description
0x00	HCI_LE_Set_PHY command succeeded or autonomous PHY update made by the Controller.
0x01 to 0xFF	HCI_LE_Set_PHY command failed. See [Vol 1] Part F for a list of error codes and descriptions.

Connection_Handle: *Size: 2 octets (12 bits meaningful)*

Value	Parameter Description
0xFFFF	Connection_Handle Range: 0x0000 to 0x0EFF

TX_PHY: *Size: 1 octet*

Value	Parameter Description
0x01	The transmitter PHY for the connection is LE 1M
0x02	The transmitter PHY for the connection is LE 2M



Value	Parameter Description
0x03	The transmitter PHY for the connection is LE Coded
All other values	Reserved for future use

RX_PHY:*Size: 1 octet*

Value	Parameter Description
0x01	The receiver PHY for the connection is LE 1M
0x02	The receiver PHY for the connection is LE 2M
0x03	The receiver PHY for the connection is LE Coded
All other values	Reserved for future use



7.7.65.13 LE Extended Advertising Report event

Event	Event Code	Event Parameters
HCI_LE_Extended_Advertising_Report	0x3E	Subevent_Code, Num_Reports, Event_Type[i], Address_Type[i], Address[i], Primary_PHY[i], Secondary_PHY[i], Advertising_SID[i], TX_Power[i], RSSI[i], Periodic_Advertising_Interval[i], Direct_Address_Type[i], Direct_Address[i], Data_Length[i], Data[i]

Description:

The HCI_LE_Extended_Advertising_Report event indicates that one or more Bluetooth devices have responded to an active scan or have broadcast advertisements that were received during a passive scan. The Controller may coalesce multiple advertising reports from the same or different advertisers into a single HCI_LE_Extended_Advertising_Report event, provided all the parameters from all the advertising reports fit in a single HCI event.

This event shall only be generated if scanning was enabled using the HCI_LE_Set_Extended_Scan_Enable command. It reports advertising events using either legacy or extended advertising PDUs.

The Controller may split the data from a single advertisement or scan response (whether one PDU or several) into several reports. If so, each report except the last shall have an Event_Type with a data status field of "incomplete, more data to come", while the last shall have the value "complete"; the Address_Type, Address, Advertising_SID, Primary_PHY, and Secondary_PHY fields shall be the same in all the reports. No further reports shall be sent for a given advertisement or scan response after one with a Data_Status other than "incomplete, more data to come".

When a scan response is received, bits 0 to 2 and 4 of the event type shall indicate the properties of the original advertising event and the Advertising_SID field should be set to the value in the original scannable advertisement.



An Event_Type with a data status field of "incomplete, data truncated" shall indicate that the Controller attempted to receive an AUX_CHAIN_IND PDU but was not successful or received it but was unable to store the data.

Where the event being reported used a legacy advertising PDU, the Controller shall set the Event_Type to the value specified in [Table 7.1](#).

PDU Type	Event_Type
ADV_IND	0b0010011
ADV_DIRECT_IND	0b0010101
ADV_SCAN_IND	0b0010010
ADV_NONCONN_IND	0b0010000
SCAN_RSP to an ADV_IND	0b0011011
SCAN_RSP to an ADV_SCAN_IND	0b0011010

Table 7.1: Event_Type values for legacy PDUs

If the Event_Type indicates a legacy PDU (bit 4 = 1), the Primary_PHY parameter shall indicate the LE 1M PHY and the Secondary_PHY parameter shall be set to 0x00. Otherwise, the Primary_PHY parameter shall indicate the PHY used to send the advertising PDU on the primary advertising physical channel and the Secondary_PHY parameter shall indicate the PHY used to send the advertising PDU(s), if any, on the secondary advertising physical channel. If the Advertising Coding Selection (Host Support) Link Layer feature bit is set (see [\[Vol 6\] Part B, Section 4.6](#)) and the Primary_PHY or Secondary_PHY parameter indicates that the LE Coded PHY was used, then the parameter shall also indicate which coding was used.

The Periodic_Advertising_Interval event parameter shall be set to zero when no periodic advertising exists as part of the advertising set.

The Direct_Address_Type and Direct_Address parameters shall contain the TargetA address in the advertising PDU for directed advertising event types (bit 2 = 1). These parameters shall be ignored for undirected advertising event types (bit 2 = 0). If the TargetA address is a resolvable private address that the Controller successfully resolved, then the value of Direct_Address_Type shall depend on the value of the Own_Address_Type parameter of the command that set the extended scan parameters. Direct_Address shall be set as follows:

- If Direct_Address_Type equals 0x02, then Direct_Address shall be set to either the TargetA field in the received advertisement or to the public device address of the scanning device.
- If Direct_Address_Type equals 0x03, then Direct_Address shall be set to either the TargetA field in the received advertisement or to the address set by the HCI_LE_Set_Random_Address command.
- Otherwise Direct_Address shall be set to the TargetA field in the received advertisement.



When multiple advertising packets are used to complete a single advertising report (e.g., a packet containing an ADV_EXT_IND PDU combined with one containing an AUX_ADV_IND PDU), the RSSI event parameter shall be set based on the last packet received and the TX_Power event parameter shall be based on the last packet of the current advertisement or scan response received that contains a TxPower field. However, if an event has been sent with a TX_Power value other than 0x7F and a Data_Status of "incomplete, more data to come", and if no subsequent PDU with a TxPower field has been received, then subsequent events may instead have a TX_Power value of 0x7F.

If the Controller receives an AUX_CHAIN_IND with no AdvData, it should send the report (or the last report if it has split the data) immediately without waiting for any subsequent AUX_CHAIN_IND PDUs.

Event parameters:

Subevent_Code: *Size: 1 octet*

Value	Parameter Description
0x0D	Subevent code for the HCI_LE_Extended_Advertising_Report event

Num_Reports: *Size: 1 octet*

Value	Parameter Description
0x01 to 0x0A	Number of separate reports in the event
All other values	Reserved for future use

Event_Type[i]: *Size: Num_Reports × 2 octets*

Bit Number	Parameter Description
0	Connectable advertising
1	Scannable advertising
2	Directed advertising
3	Scan response
4	Legacy advertising PDUs used
5 to 6	Data status: 0b00 = Complete 0b01 = Incomplete, more data to come 0b10 = Incomplete, data truncated, no more to come 0b11 = Reserved for future use
All other bits	Reserved for future use



Address_Type[i]:

Size: Num_Reports × 1 octet

Value	Parameter Description
0x00	Public Device Address
0x01	Random Device Address
0x02	Public Identity Address (corresponds to Resolved Private Address)
0x03	Random (static) Identity Address (corresponds to Resolved Private Address)
0xFF	No address provided (anonymous advertisement)
All other values	Reserved for future use

Address[i]:

Size: Num_Reports × 6 octets

Value	Parameter Description
0XXXXXXXXXXXX	Public Device Address, Random Device Address, Public Identity Address or Random (static) Identity Address of the advertising device.

Primary_PHY[i]:

Size: Num_Reports × 1 octet

Value	Parameter Description
0x01	Advertiser PHY is LE 1M
0x03	If the Advertising Coding Selection (Host Support) feature bit is set: Advertiser PHY is LE Coded with S=8 data coding Otherwise: Advertiser PHY is LE Coded
0x04	If the Advertising Coding Selection (Host Support) feature bit is set: Advertiser PHY is LE Coded with S=2 data coding Otherwise: Reserved for future use
All other values	Reserved for future use

Secondary_PHY[i]:

Size: Num_Reports × 1 octet

Value	Parameter Description
0x00	No packets on the secondary advertising physical channel
0x01	Advertiser PHY is LE 1M
0x02	Advertiser PHY is LE 2M



Value	Parameter Description
0x03	If the Advertising Coding Selection (Host Support) feature bit is set: Advertising PHY is LE Coded with S=8 data coding Otherwise: Advertiser PHY is LE Coded
0x04	If the Advertising Coding Selection (Host Support) feature bit is set: Advertising PHY is LE Coded with S=2 data coding Otherwise: Reserved for future use
All other values	Reserved for future use

Advertising_SID[i]: *Size: Num_Reports × 1 octet*

Value	Parameter Description
0x00 to 0x0F	Value of the Advertising SID subfield in the ADI field of the PDU or, for scan responses, in the ADI field of the original scannable advertisement
0xFF	No ADI field provided
All other values	Reserved for future use

TX_Power[i]: *Size: Num_Reports × 1 octet*

Value	Parameter Description
0xXX	Range: -127 to +20 Units: dBm
0x7F	Tx Power information not available

RSSI[i]: *Size: Num_Reports × 1 octet*

Value	Parameter Description
0xXX	Range: -127 to +20 Units: dBm
0x7F	RSSI is not available



Periodic_Advertising_Interval[i]:

Size: Num_Reports × 2 octets

Value	Parameter Description
0x0000	No periodic advertising
N = 0xXXXX	Interval of the periodic advertising Range: 0x0006 to 0xFFFF Time = N × 1.25 ms Time Range : 7.5 ms to 81,918.75 s

Direct_Address_Type[i]:

Size: Num_Reports × 1 octet

Value	Parameter Description
0x00	Public Device Address
0x01	Non-resolvable Private Address or Static Device Address
0x02	Resolvable Private Address (resolved by Controller; Own_Address_Type was 0x00 or 0x02)
0x03	Resolvable Private Address (resolved by Controller; Own_Address_Type was 0x01 or 0x03)
0xFE	Resolvable Private Address (Controller unable to resolve)
All other values	Reserved for future use

Direct_Address[i]:

Size: Num_Reports × 6 octets

Value	Parameter Description
0XXXXXXXXXXXXX	TargetA field in the advertisement or either Public Identity Address or Random (static) Identity Address of the target device

Data_Length[i]:

Size: Num_Reports × 1 octet

Value	Parameter Description
0 to 229	Length of the Data[i] field for each device which responded
All other values	Reserved for future use

Data[i]:

Size: SUM (Data_Length[i]) octets

Parameter Description
Data_Length[i] octets of advertising or scan response data formatted as defined in [Vol 3 Part C, Section 11] . Note: Each element of this array has a variable length.



7.7.65.14 LE Periodic Advertising Sync Established event

Event	Event Code	Event Parameters
HCI_LE_Periodic_Advertising_Sync_Established [v2]	0x3E	Subevent_Code, Status, Sync_Handle, Advertising_SID, Advertiser_Address_Type, Advertiser_Address, Advertiser_PHY, Periodic_Advertising_Interval, Advertiser_Clock_Accuracy, Num_Subevents, Subevent_Interval, Response_Slot_Delay, Response_Slot_Spacing
HCI_LE_Periodic_Advertising_Sync_Established [v1]	0x3E	Subevent_Code, Status, Sync_Handle, Advertising_SID, Advertiser_Address_Type, Advertiser_Address, Advertiser_PHY, Periodic_Advertising_Interval, Advertiser_Clock_Accuracy

Description:

The HCI_LE_Periodic_Advertising_Sync_Established event indicates that the Controller has received the first periodic advertising packet from an advertiser after the HCI_LE_Periodic_Advertising_Create_Sync command has been sent to the Controller.

The Sync_Handle parameter identifies the periodic advertising train in subsequent commands and events and shall be assigned by the Controller.

The Advertising_SID parameter is set to the value of the Advertising SID subfield in the ADI field of the advertising PDU referring to the periodic advertising train.

The Advertiser_Address_Type and Advertiser_Address parameters specify the address of the periodic advertiser.

The Advertiser_PHY parameter specifies the PHY used for the periodic advertising.



The `Periodic_Advertising_Interval` parameter specifies the interval between the periodic advertising events.

The `Advertiser_Clock_Accuracy` parameter specifies the accuracy of the periodic advertiser's clock.

If the periodic advertising has subevents or response slots, then the `Num_Subevents`, `Subevent_Interval`, `Response_Slot_Delay`, and `Response_Slot_Spacing` specify the parameters for these subevents, otherwise these values shall be set to 0x00.

Event parameters:

Subevent_Code:

Size: 1 octet

Value	Parameter Description
0x24	Subevent code for the <code>HCI_LE_Periodic_Advertising_Sync_Established [v2]</code> event
0x0E	Subevent code for the <code>HCI_LE_Periodic_Advertising_Sync_Established [v1]</code> event

Status:

Size: 1 octet

Value	Parameter Description
0x00	Periodic advertising sync successful
0x01 to 0xFF	Periodic advertising sync failed. See [Vol 1] Part F, Controller Error Codes for a list of error codes and descriptions

Sync_Handle:

Size: 2 octets (12 bits meaningful)

Value	Parameter Description
0xXXXX	Sync_Handle identifying the periodic advertising train Range: 0x0000 to 0x0EFF

Advertising_SID:

Size: 1 octet

Value	Parameter Description
0x00 to 0x0F	Value of the Advertising SID subfield in the ADI field of the PDU

Advertiser_Address_Type:

Size: 1 octet

Value	Parameter Description
0x00	Public Device Address
0x01	Random Device Address
0x02	Public Identity Address (corresponds to Resolved Private Address)



Value	Parameter Description
0x03	Random (static) Identity Address (corresponds to Resolved Private Address)
All other values	Reserved for future use

Advertiser_Address: *Size: 6 octets*

Value	Parameter Description
0XXXXXXXXXXXXX	Public Device Address, Random Device Address, Public Identity Address, or Random (static) Identity Address of the advertiser

Advertiser_PHY: *Size: 1 octet*

Value	Parameter Description
0x01	Advertiser PHY is LE 1M
0x02	Advertiser PHY is LE 2M
0x03	Advertiser PHY is LE Coded
All other values	Reserved for future use

Periodic_Advertising_Interval: *Size: 2 octets*

Value	Parameter Description
N = 0XXXXX	Periodic advertising interval Range: 0x0006 to 0xFFFF Time = N × 1.25 ms Time Range: 7.5 ms to 81.91875 s

Advertiser_Clock_Accuracy: *Size: 1 octet*

Value	Parameter Description
0x00	500 ppm
0x01	250 ppm
0x02	150 ppm
0x03	100 ppm
0x04	75 ppm
0x05	50 ppm
0x06	30 ppm
0x07	20 ppm
All other values	Reserved for future use

**Num_Subevents:***Size: 1 octet*

Value	Parameter Description
0x00	No subevents
N = 0xXX	Number of subevents. Range: 0x01 to 0x80

Subevent_Interval:*Size: 1 octet*

Value	Parameter Description
0x00	No subevents
N = 0xXX	Subevent interval. Range: 0x06 to 0xFF Time = N × 1.25 ms Time Range: 7.5 ms to 318.75 ms

Response_Slot_Delay:*Size: 1 octet*

Value	Parameter Description
0x00	No response slots
N = 0xXX	Response slot delay. Range: 0x01 to 0xFE Time = N × 1.25 ms Time Range: 1.25 ms to 317.5 ms

Response_Slot_Spacing:*Size: 1 octet*

Value	Parameter Description
0x00	No response slots
N = XX	Response slot spacing Range: 0x02 to 0xFF Time = N × 0.125 ms Time Range: 0.25 ms to 31.875



7.7.65.15 LE Periodic Advertising Report event

Event	Event Code	Event Parameters
HCI_LE_Periodic_Advertising_Report [v2]	0x3E	Subevent_Code, Sync_Handle, Tx_Power, RSSI, CTE_Type, Periodic_Event_Counter, Subevent, Data_Status, Data_Length, Data
HCI_LE_Periodic_Advertising_Report [v1]	0x3E	Subevent_Code, Sync_Handle, TX_Power, RSSI, CTE_Type, Data_Status, Data_Length, Data

Description:

The HCI_LE_Periodic_Advertising_Report event indicates that the Controller has received a periodic advertisement or has failed to receive an AUX_SYNC_SUBEVENT_IND PDU.

The Sync_Handle parameter identifies the periodic advertising train that the report relates to.

The RSSI parameter contains the RSSI value, excluding any Constant Tone Extension. If the Controller supports the Connectionless CTE Receiver feature, RSSI shall not be set to 0x7F. When multiple advertising packets are used to complete a periodic advertising report (e.g., a packet containing an AUX_SYNC_IND PDU combined with one containing an AUX_CHAIN PDU), the RSSI event parameter shall be set based on the last packet received and the TX_Power event parameter shall be set based on the AUX_SYNC_IND PDU. However, the second or subsequent events for the same periodic advertisement may instead have a TX_Power value of 0x7F.

The Controller may split the data from a single periodic advertisement (whether one PDU or several) into several reports. If so, each report except the last shall have a Data_Status of "incomplete, more data to come", while the last shall have the value "complete". No further reports shall be sent for a given periodic



advertisement after one with a Data_Status other than "incomplete, more data to come".

A Data_Status of "incomplete, data truncated" indicates that the Controller attempted to receive an AUX_CHAIN_IND PDU but was not successful or received it but was unable to store the data.

The CTE_Type parameter indicates the type of Constant Tone Extension in the periodic advertising packets.

The Periodic_Event_Counter parameter indicates the periodic advertising event counter (*paEventCounter*) of the event that the periodic advertising packet was received in.

The Subevent parameter indicates the Periodic Advertising with Responses subevent that the periodic advertising packet was received in. If the Periodic Advertising does not have subevents, then Subevent shall be set to 0xFF.

If the Controller receives an AUX_CHAIN_IND PDU with no AdvData, it should send the report (or the last report if it has split the data) immediately without waiting for any subsequent AUX_CHAIN_IND PDUs.

Event parameters:

Subevent_Code: *Size: 1 octet*

Value	Parameter Description
0x25	Subevent code for the HCI_LE_Periodic_Advertising_Report [v2] event
0x0F	Subevent code for the HCI_LE_Periodic_Advertising_Report [v1] event

Sync_Handle: *Size: 2 octets (12 bits meaningful)*

Value	Parameter Description
0xXXXX	Sync_Handle identifying the periodic advertising train. Range: 0x0000 to 0x0EFF

TX_Power: *Size: 1 octet*

Value	Parameter Description
0xXX	Range: -127 to +20 Units: dBm
0x7F	Tx Power information not available

**RSSI:***Size: 1 octet*

Value	Parameter Description
0xXX	Range: -127 to +20 Units: dBm
0x7F	RSSI is not available

CTE_Type:*Size: 1 octet*

Value	Parameter Description
0x00	AoA Constant Tone Extension
0x01	AoD Constant Tone Extension with 1 μ s slots
0x02	AoD Constant Tone Extension with 2 μ s slots
0xFF	No Constant Tone Extension
All other values	Reserved for future use

Periodic_Event_Counter:*Size: 2 octets*

Value	Parameter Description
0xXXXX	The value of <i>paEventCounter</i> (see [Vol 6] Part B, Section 4.4.2.1) for the reported periodic advertising packet

Subevent:*Size: 1 octet*

Value	Parameter Description
0xXX	The subevent number. Range: 0x00 to 0x7F
0xFF	No subevents

Data_Status:*Size: 1 octet*

Value	Parameter Description
0x00	Data complete
0x01	Data incomplete, more data to come
0x02	Data incomplete, data truncated, no more to come
0xFF	Failed to receive an AUX_SYNC_SUBEVENT_IND PDU
All other values	Reserved for future use

*Data_Length:**Size: 1 octet*

Value	Parameter Description
0 to 247	Length of the Data field
All other values	Reserved for future use

*Data:**Size: Data_Length octets*

Value	Parameter Description
Variable	Data received from a Periodic Advertising packet



7.7.65.16 LE Periodic Advertising Sync Lost event

Event	Event Code	Event Parameters
HCI_LE_Periodic_Advertising_Sync_Lost	0x3E	Subevent_Code, Sync_Handle

Description:

The HCI_LE_Periodic_Advertising_Sync_Lost event indicates that the Controller has not received a Periodic Advertising packet from the train identified by Sync_Handle within the timeout period.

Event parameters:

Subevent_Code: *Size: 1 octet*

Value	Parameter Description
0x10	Subevent code for the HCI_LE_Periodic_Advertising_Sync_Lost event

Sync_Handle: *Size: 2 octets (12 bits meaningful)*

Value	Parameter Description
0xXXXX	Sync_Handle identifying the periodic advertising train. Range: 0x0000 to 0x0EFF



7.7.65.17 LE Scan Timeout event

Event	Event Code	Event Parameters
HCI_LE_Scan_Timeout	0x3E	Subevent_Code

Description:

The HCI_LE_Scan_Timeout event indicates that scanning has ended because the duration has expired.

This event shall only be generated if scanning was enabled using the HCI_LE_Set_Extended_Scan_Enable command.

Event parameters:

Subevent_Code:

Size: 1 octet

Value	Parameter Description
0x11	Subevent code for the HCI_LE_Scan_Timeout event



7.7.65.18 LE Advertising Set Terminated event

Event	Event Code	Event Parameters
HCI_LE_Advertising_Set_Terminated	0x3E	Subevent_Code, Status, Advertising_Handle, Connection_Handle, Num_Completed_Extended_Advertising_Events

Description:

The HCI_LE_Advertising_Set_Terminated event indicates that the Controller has terminated advertising in the advertising sets specified by the Advertising_Handle parameter.

This event shall be generated every time connectable advertising in an advertising set results in a connection being created or because the advertising duration or the maximum number of extended advertising events has been reached. It shall not be generated if the Host disables the advertising set.

This event shall only be generated if advertising was enabled using the HCI_LE_Set_Extended_Advertising_Enable command.

The Connection_Handle parameter is only valid when advertising ends because a connection was created.

If the Max_Extended_Advertising_Events parameter in the HCI_LE_Set_Extended_Advertising_Enable command was non-zero, the Num_Completed_Extended_Advertising_Events parameter shall be set to the number of completed extended advertising events the Controller had transmitted when either the duration elapsed or the maximum number of extended advertising events was reached; otherwise it shall be set to zero.

If advertising has terminated as a result of the advertising duration elapsing, the Status parameter shall be set to the error code *Advertising Timeout* (0x3C).

If advertising has terminated because the Max_Extended_Advertising_Events was reached, the Status parameter shall be set to the error code *Limit Reached* (0x43).

Event parameters:

Subevent_Code: *Size: 1 octet*

Value	Parameter Description
0x12	Subevent code for the HCI_LE_Advertising_Set_Terminated event

**Status:****Size: 1 octet**

Value	Parameter Description
0x00	Advertising successfully ended with a connection being created
0x01 to 0xFF	Advertising ended for another reason. See [Vol 1] Part F, Controller Error Codes for a list of error codes and descriptions.

Advertising_Handle:**Size: 1 octet**

Value	Parameter Description
0xXX	Advertising_Handle in which advertising has ended Range: 0x00 to 0xEF

Connection_Handle:**Size: 2 octets (12 bits meaningful)**

Value	Parameter Description
0xXXXX	Connection_Handle of the connection whose creation ended the advertising Range: 0x0000 to 0x0EFF

Num_Completed_Extended_Advertising_Events:**Size: 1 octet**

Value	Parameter Description
0xXX	Number of completed extended advertising events transmitted by the Controller



7.7.65.19 LE Scan Request Received event

Event	Event Code	Event Parameters
HCI_LE_Scan_Request_Received	0x3E	Subevent_Code, Advertising_Handle, Scanner_Address_Type, Scanner_Address

Description:

The HCI_LE_Scan_Request_Received event indicates that a SCAN_REQ PDU or an AUX_SCAN_REQ PDU has been received by the advertiser. The request contains a device address from a scanner that is allowed by the advertising filter policy. The advertising set is identified by Advertising_Handle.

This event shall only be generated if advertising was enabled using the HCI_LE_Set_Extended_Advertising_Enable command.

The Scanner_Address_Type and Scanner_Address indicates the type of the address and the address of the scanner device.

Event parameters:

Subevent_Code: *Size: 1 octet*

Value	Parameter Description
0x13	Subevent code for the HCI_LE_Scan_Request_Received event

Advertising_Handle: *Size: 1 octet*

Value	Parameter Description
0xXX	Used to identify an advertising set Range: 0x00 to 0xEF

Scanner_Address_Type: *Size: 1 octet*

Value	Parameter Description
0x00	Public Device Address
0x01	Random Device Address
0x02	Public Identity Address (corresponds to Resolved Private Address)
0x03	Random (static) Identity Address (corresponds to Resolved Private Address)
All other values	Reserved for future use



Scanner_Address:

Size: 6 octets

Value	Parameter Description
0XXXXXXXXXXXXX	Public Device Address, Random Device Address, Public Identity Address or Random (static) Identity Address of the advertising device



7.7.65.20 LE Channel Selection Algorithm event

Event	Event Code	Event Parameters
HCI_LE_Channel_Selection_Algorithm	0x3E	Subevent_Code, Connection_Handle, Channel_Selection_Algorithm

Description:

The HCI_LE_Channel_Selection_Algorithm event indicates which channel selection algorithm is used on a data physical channel connection (see [Vol 6] Part B, Section 4.5.8).

Event parameters:

Subevent_Code: *Size: 1 octet*

Value	Parameter Description
0x14	Subevent code for the HCI_LE_Channel_Selection_Algorithm event

Connection_Handle: *Size: 2 octets (12 bits meaningful)*

Value	Parameter Description
0xXXXX	Connection_Handle Range: 0x0000 to 0x0EFF

Channel_Selection_Algorithm: *Size: 1 octet*

Value	Parameter Description
0x00	LE Channel Selection Algorithm #1 is used
0x01	LE Channel Selection Algorithm #2 is used
All other values	Reserved for future use



7.7.65.21 LE Connectionless IQ Report event

Event	Event Code	Event Parameters
HCI_LE_Connectionless_IQ_Report	0x3E	Subevent_Code, Sync_Handle, Channel_Index, RSSI, RSSI_Antenna_ID, CTE_Type, Slot_Durations, Packet_Status, Periodic_Event_Counter, Sample_Count, I_Sample[i], Q_Sample[i]

Description:

The HCI_LE_Connectionless_IQ_Report event is used by the Controller to report IQ information from the Constant Tone Extension of a received advertising packet forming part of the periodic advertising train identified by Sync_Handle and to report IQ information from the Constant Tone Extension of a received Test Mode packet (see [Section 7.8.28](#)).

The index of the channel on which the packet was received, the RSSI of the packet (excluding the Constant Tone Extension), the ID of the antenna on which this was measured, the type of Constant Tone Extension, the value of *paEventCounter*, and the IQ samples of the Constant Tone Extension of the advertisement are reported in the corresponding parameters. For any given sample, either both or neither of I_Sample[i] and Q_Sample[i] shall equal 0x80.

The Slot_Durations parameter specifies the sampling rate used by the Controller.

The Packet_Status parameter indicates whether the received packet had a valid CRC and, if not, whether the Controller has determined the position and size of the Constant Tone Extension using the Length and CTETime fields.

Note: A Controller is not required to generate this event for packets that have a bad CRC.

The Constant Tone Extension format is defined in [\[Vol 6\] Part B, Section 2.5.1](#).

If the PDU contains AdvData, then any HCI_LE_Periodic_Advertising_Report event triggered by this PDU shall be generated before this event.



Not all PDUs in a periodic advertisement will necessarily trigger an HCI_LE_Periodic_Advertising_Report event. For example, PDUs without AdvData might not trigger that event (see [Vol 6] Part B, Section 4.4.5.1).

The Controller is not required to generate this event for a Constant Tone Extension with a type that it does not support.

This event is also used by the Controller to report that it has insufficient resources to report IQ samples for all received Constant Tone Extensions and has failed to sample at least once. In this case Packet_Status shall be set to 0xFF and Sample_Count to 0x00.

Event parameters:

Subevent_Code: *Size: 1 octet*

Value	Parameter Description
0x15	Subevent code for HCI_LE_Connectionless_IQ_Report event

Sync_Handle: *Size: 2 octets (12 bits meaningful)*

Value	Parameter Description
0xXXXX	Sync_Handle identifying the periodic advertising train. Range: 0x0000 to 0x0EFF
0x0FFF	Receiver Test

Channel_Index: *Size: 1 octet*

Value	Parameter Description
0x00 to 0x27	The index of the channel on which the packet was received. Note: 0x25 to 0x27 can be used only for packets generated during test modes.
All other values	Reserved for future use

RSSI: *Size: 2 octets*

Value	Parameter Description
0xFFFF	RSSI of the packet Range: -1270 to +200 Units: 0.1 dBm

RSSI_Antenna_ID: *Size: 1 octet*

Value	Parameter Description
0xFF	Antenna ID



CTE_Type:

Size: 1 octet

Value	Parameter Description
0x00	AoA Constant Tone Extension
0x01	AoD Constant Tone Extension with 1 μ s slots
0x02	AoD Constant Tone Extension with 2 μ s slots
All other values	Reserved for future use

Slot_Durations:

Size: 1 octet

Value	Parameter Description
0x01	Switching and sampling slots are 1 μ s each
0x02	Switching and sampling slots are 2 μ s each
All other values	Reserved for future use

Packet_Status:

Size: 1 octet

Value	Parameter Description
0x00	CRC was correct
0x01	CRC was incorrect and the Length and CTETime fields of the packet were used to determine sampling points
0x02	CRC was incorrect but the Controller has determined the position and length of the Constant Tone Extension in some other way
0xFF	Insufficient resources to sample (Channel_Index, CTE_Type, and Slot_Durations invalid).
All other values	Reserved for future use

Periodic_Event_Counter:

Size: 2 octets

Value	Parameter Description
0xXXXX	The value of <i>paEventCounter</i> (see [Vol 6] Part B, Section 4.4.2.1) for the reported AUX_SYNC_IND PDU

Sample_Count:

Size: 1 octet

Value	Parameter Description
0x00	No samples provided (only permitted if Packet_Status is 0xFF).
0x09 to 0x52	Total number of sample pairs (there shall be the same number of I samples and Q samples). Note: This number is dependent on the switch and sample slot durations used.
All other values	Reserved for future use

 $I_Sample[i]$:Size: $Sample_Count \times 1$ octet

Value	Parameter Description
0x80	No valid sample available
All other values	I sample for the reported packet (signed integer). The list is in the order of the sampling points within the packet.

 $Q_Sample[i]$:Size: $Sample\ Count \times 1$ octet

Value	Parameter Description
0x80	No valid sample available
All other values	Q sample for the reported packet (signed integer). The list is in the order of the sampling points within the packet.



7.7.65.22 LE Connection IQ Report event

Event	Event Code	Event Parameters
HCI_LE_Connection_IQ_Report	0x3E	Subevent_Code, Connection_Handle, RX_PHY, Data_Channel_Index, RSSI, RSSI_Antenna_ID, CTE_Type, Slot_Durations, Packet_Status, Connection_Event_Counter, Sample_Count, I_Sample[i], Q_Sample[i]

Description:

The HCI_LE_Connection_IQ_Report event is used by the Controller to report the IQ samples from the Constant Tone Extension of a received packet (see [Vol 6] Part B, Section 2.4).

The Connection_Handle parameter identifies the connection that corresponds to the reported information.

The receiver PHY, the index of the data channel, the RSSI value of the packet (excluding the Constant Tone Extension), the ID of the antenna on which this was measured, the type of Constant Tone Extension, the value of *connEventCounter*, and the IQ samples of the Constant Tone Extension of the received packet are reported in the corresponding parameters. For any given sample, either both or neither of I_Sample[i] and Q_Sample[i] shall equal 0x80.

The Slot_Durations parameter specifies the sampling rate used by the Controller.

The Packet_Status parameter indicates whether the received packet had a valid CRC and, if not, whether the Controller has determined the position and size of the Constant Tone Extension using the Length and CTETime fields.

Note: A Controller is not required to generate this event for packets that have a bad CRC.

This event is also used by the Controller to report that it has insufficient resources to report IQ samples for all received Constant Tone Extensions and has failed to sample at least once. In this case Packet_Status shall be set to 0xFF and Sample_Count to 0x00.



The Constant Tone Extension format is defined in [Vol 6] Part B, Section 2.1.5.

Event parameters:

Subevent_Code: *Size: 1 octet*

Value	Parameter Description
0x16	Subevent code for HCI_LE_Connection_IQ_Report event

Connection_Handle: *Size: 2 octets (12 bits meaningful)*

Value	Parameter Description
0xXXXX	Connection_Handle Range: 0x0000 to 0x0EFF

RX_PHY: *Size: 1 octet*

Value	Parameter Description
0x01	The receiver PHY for the connection is LE 1M
0x02	The receiver PHY for the connection is LE 2M
All other values	Reserved for future use

Data_Channel_Index: *Size: 1 octet*

Value	Parameter Description
0x00 to 0x24	The index of the data channel on which the Data Physical Channel PDU was received.
All other values	Reserved for future use

RSSI: *Size: 2 octets*

Value	Parameter Description
0xFFFF	RSSI of the packet Range: -1270 to +200 Units: 0.1 dBm

RSSI_Antenna_ID: *Size: 1 octet*

Value	Parameter Description
0xFF	ID of the antenna on which the RSSI is measured



CTE_Type:

Size: 1 octet

Value	Parameter Description
0x00	AoA Constant Tone Extension
0x01	AoD Constant Tone Extension with 1 μ s slots
0x02	AoD Constant Tone Extension with 2 μ s slots
All other values	Reserved for future use

Slot_Durations:

Size: 1 octet

Value	Parameter Description
0x01	Switching and sampling slots are 1 μ s each
0x02	Switching and sampling slots are 2 μ s each
All other values	Reserved for future use

Packet_Status:

Size: 1 octet

Value	Parameter Description
0x00	CRC was correct
0x01	CRC was incorrect and the Length and CTETime fields of the packet were used to determine sampling points
0x02	CRC was incorrect but the Controller has determined the position and length of the Constant Tone Extension in some other way
0xFF	Insufficient resources to sample (Data_Channel_Index, CTE_Type, and Slot_Durations invalid).
All other values	Reserved for future use

Connection_Event_Counter:

Size: 2 octets

Value	Parameter Description
0xXXXX	The value of <i>connEventCounter</i> (see [Vol 6] Part B, Section 4.5.1) for the reported PDU

Sample_Count:

Size: 1 octet

Value	Parameter Description
0x00	No samples provided (only permitted if Packet_Status is 0xFF).
0x09 to 0x52	Total number of sample pairs (there shall be the same number of I samples and Q samples). Note: This number is dependent on the switch and sample slot durations used.
All other values	Reserved for future use

***I_Sample[i]:******Size: Sample_Count × 1 octet***

Value	Parameter Description
0x80	No valid sample available
All other values	I sample for the reported PDU (signed integer). The list is in the order of the sampling points within the PDU.

Q_Sample[i]:***Size: Sample_Count × 1 octet***

Value	Parameter Description
0x80	No valid sample available
All other values	Q sample for the reported PDU (signed integer). The list is in the order of the sampling points within the PDU.



7.7.65.23 LE CTE Request Failed event

Event	Event Code	Event Parameters
HCI_LE_CTE_Request_Failed	0x3E	Subevent_Code, Status, Connection_Handle

Description:

This event is used by the Controller to report an issue following a request to a peer device to reply with a packet containing an LL_CTE_RSP PDU and a Constant Tone Extension. It shall be generated if the packet containing the LL_CTE_RSP PDU sent in response did not contain a Constant Tone Extension or if the peer rejected the request. It shall not be generated if the packet containing the LL_CTE_RSP PDU had a CRC error or if the procedure response timeout timer (see [Vol 6] Part B, Section 5.2) expired.

Event parameters:

Subevent_Code: *Size: 1 octet*

Value	Parameter Description
0x17	Subevent code for HCI_LE_CTE_Request_Failed event

Status: *Size: 1 octet*

Value	Parameter Description
0x00	LL_CTE_RSP PDU received successfully but without a Constant Tone Extension field.
0x01 to 0xFF	Peer rejected the request. See [Vol 1] Part F, Controller Error Codes for a list of error codes and descriptions.

Connection_Handle: *Size: 2 octets (12 bits meaningful)*

Value	Parameter Description
0xFFFF	Connection_Handle Range 0x0000 to 0x0EFF



7.7.65.24 LE Periodic Advertising Sync Transfer Received event

Event	Event Code	Event Parameters
HCI_LE_Periodic_Advertising_Sync_Transfer_Received [v2]	0x3E	Subevent_Code, Status, Connection_Handle, Service_Data, Sync_Handle, Advertising_SID, Advertiser_Address_Type, Advertiser_Address, Advertiser_PHY, Periodic_Advertising_Interval, Advertiser_Clock_Accuracy, Num_Subevents, Subevent_Interval, Response_Slot_Delay, Response_Slot_Spacing
HCI_LE_Periodic_Advertising_Sync_Transfer_Received [v1]	0x3E	Subevent_Code, Status, Connection_Handle, Service_Data, Sync_Handle, Advertising_SID, Advertiser_Address_Type, Advertiser_Address, Advertiser_PHY, Periodic_Advertising_Interval, Advertiser_Clock_Accuracy

Description:

The HCI_LE_Periodic_Advertising_Sync_Transfer_Received event is used by the Controller to report that it has received periodic advertising synchronization information from the device referred to by the Connection_Handle parameter and either successfully synchronized to the periodic advertising train or timed out while attempting to synchronize. The Status will be zero if it successfully synchronized and non-zero otherwise.

The Service_Data value is provided by the Host of the device sending the information.

The Sync_Handle identifies the periodic advertising in subsequent commands and events and shall be assigned by the Controller.



The remaining parameters provide information about the periodic advertising (see [Section 7.7.65.14](#)). If there are no subevents or response slots, then the Controller shall set the Num_Subevents parameter to zero and the Host shall ignore the Subevent_Interval, Response_Slot_Delay, and Response_Slot_Spacing parameters.

If Status is non-zero, all parameter values are valid except Sync_Handle, which the Host shall ignore.

Note: If the Controller is already synchronized to the periodic advertising train described in the received information, no event will be generated.

Event parameters:

Subevent_Code: *Size: 1 octet*

Value	Parameter Description
0x26	Subevent code for the HCI_LE_Periodic_Advertising_Sync_Transfer_Received [v2] event
0x18	Subevent code for the HCI_LE_Periodic_Advertising_Sync_Transfer_Received [v1] event

Status: *Size: 1 octet*

Value	Parameter Description
0x00	Synchronization to the periodic advertising train succeeded.
0x01 to 0xFF	Synchronization to the periodic advertising train failed. See [Vol 1 Part F, Controller Error Codes] for a list of error codes and descriptions.

Connection_Handle: *Size: 2 octets (12 bits meaningful)*

Value	Parameter Description
0xFFFF	Connection_Handle Range: 0x0000 to 0x0EFF

Service_Data: *Size: 2 octets*

Value	Parameter Description
0xFFFF	A value provided by the peer device

Sync_Handle: *Size: 2 octets (12 bits meaningful)*

Value	Parameter Description
0xFFFF	Sync_Handle identifying the periodic advertising train. Range: 0x0000 to 0x0EFF



Advertising_SID:

Size: 1 octet

Value	Parameter Description
0x00 to 0x0F	Value of the Advertising SID used to advertise the periodic advertising
All other values	Reserved for future use

Advertiser_Address_Type:

Size: 1 octet

Value	Parameter Description
0x00	Public Device Address
0x01	Random Device Address
0x02	Public Identity Address (corresponds to Resolved Private Address)
0x03	Random (static) Identity Address (corresponds to Resolved Private Address)
All other values	Reserved for future use

Advertiser_Address:

Size: 6 octets

Value	Parameter Description
0xFFFFFFFFXXXX	Public Device Address, Random Device Address, Public Identity Address, or Random (static) Identity Address of the advertiser

Advertiser_PHY:

Size: 1 octet

Value	Parameter Description
0x01	Advertiser PHY is LE 1M
0x02	Advertiser PHY is LE 2M
0x03	Advertiser PHY is LE Coded
All other values	Reserved for future use

Periodic_Advertising_Interval:

Size: 2 octets

Value	Parameter Description
N = 0xXXXX	Periodic advertising interval Range: 0x0006 to 0xFFFF Time = N × 1.25 ms Time Range: 7.5 ms to 81.91875 s

Advertiser_Clock_Accuracy:

Size: 1 octet

Value	Parameter Description
0x00	500 ppm
0x01	250 ppm



Value	Parameter Description
0x02	150 ppm
0x03	100 ppm
0x04	75 ppm
0x05	50 ppm
0x06	30 ppm
0x07	20 ppm
All other values	Reserved for future use

Num_Subevents:

Size: 1 octet

Value	Parameter Description
0x00	No subevents
N=0xXX	Number of subevents. Range: 0x01 to 0x80

Subevent_Interval:

Size: 1 octet

Value	Parameter Description
N=0xXX	Subevent interval. Range: 0x06 to 0xFF Time = $N \times 1.25$ ms Time Range: 7.5 ms to 318.75 ms

Response_Slot_Delay:

Size: 1 octet

Value	Parameter Description
N=0xXX	Response slot delay. Range: 0x01 to 0xFE Time = $N \times 1.25$ ms Time Range: 1.25 ms to 317.5 ms

Response_Slot_Spacing:

Size: 1 octet

Value	Parameter Description
N=0xXX	Response slot spacing Range: 0x02 to 0xFF Time = $N \times 0.125$ ms Time Range: 0.25 ms to 31.875 ms



7.7.65.25 LE CIS Established event

Event	Event Code	Event Parameters
HCI_LE_CIS_Established	0x3E	Subevent_Code, Status, Connection_Handle, CIG_Sync_Delay, CIS_Sync_Delay, Transport_Latency_C_To_P, Transport_Latency_P_To_C, PHY_C_To_P, PHY_P_To_C, NSE, BN_C_To_P, BN_P_To_C, FT_C_To_P, FT_P_To_C, Max_PDU_C_To_P, Max_PDU_P_To_C, ISO_Interval

Description:

The HCI_LE_CIS_Established event indicates that a CIS has been established, was considered lost before being established, or—on the Central—was rejected by the Peripheral. It is generated by the Controller in the Central and Peripheral. The Connection_Handle parameter shall be set to the value provided in the HCI_LE_Create_CIS command on the Central and in the HCI_LE_CIS_Request event on the Peripheral.

The CIG_Sync_Delay parameter is the maximum time, in microseconds, for transmission of PDUs of all CISes in a CIG event (see [\[Vol 6\] Part B, Section 4.5.14.1](#)).

The CIS_Sync_Delay parameter is the maximum time, in microseconds, for transmission of PDUs of the specified CIS in a CIG event (see [\[Vol 6\] Part B, Section 4.5.14.1](#)).

The Transport_Latency_C_To_P and Transport_Latency_P_To_C parameters are the actual transport latencies, in microseconds, as described in [\[Vol 6\] Part G, Section 3.2.1](#) and [\[Vol 6\] Part G, Section 3.2.2](#).

The PHY_C_To_P parameter indicates the PHY selected for packets from the Central to Peripheral.



The PHY_P_To_C parameter indicates the PHY selected for packets from the Peripheral to Central.

The NSE, BN_C_To_P, BN_P_To_C, FT_C_To_P, FT_P_To_C, Max_PDU_C_To_P, Max_PDU_P_To_C, and ISO_Interval parameters are the corresponding parameters of the CIS (see [Vol 6] Part B, Section 4.5.13.1).

If this event is generated on the Peripheral with a non-zero status, the Controller shall delete the Connection_Handle and any associated ISO data paths.

Event parameters:

Subevent_Code: *Size: 1 octet*

Value	Parameter Description
0x19	Subevent Code for HCI_LE_CIS_Established event

Status: *Size: 1 octet*

Value	Parameter Description
0x00	The CIS is successfully established.
0x01 to 0xFF	The CIS failed to be established. See [Vol 1] Part F, Controller Error Codes for a list of error codes and descriptions.

Connection_Handle: *Size: 2 octets (12 bits meaningful)*

Value	Parameter Description
0xXXXX	Connection handle of the CIS Range: 0x0000 to 0x0EFF

CIG_Sync_Delay: *Size: 3 octets*

Value	Parameter Description
0x0000EA to 0x7FFFFFFF	The maximum time, in microseconds, for transmission of PDUs of all CISes in a CIG event
All other values	Reserved for future use

CIS_Sync_Delay: *Size: 3 octets*

Value	Parameter Description
0x0000EA to 0x7FFFFFFF	The maximum time, in microseconds, for transmission of PDUs of the specified CIS in a CIG event
All other values	Reserved for future use



Transport_Latency_C_To_P:

Size: 3 octets

Value	Parameter Description
0x0000EA to 0x7FFFFFFF	The actual transport latency, in microseconds, from Central to Peripheral
All other values	Reserved for future use

Transport_Latency_P_To_C:

Size: 3 octets

Bit Number	Parameter Description
0x0000EA to 0x7FFFFFFF	The actual transport latency, in microseconds, from Peripheral to Central
All other values	Reserved for future use

PHY_C_To_P:

Size: 1 octet

Value	Parameter Description
0x01	The transmitter PHY of packets from the Central is LE 1M.
0x02	The transmitter PHY of packets from the Central is LE 2M.
0x03	The transmitter PHY of packets from the Central is LE Coded.
All other values	Reserved for future use.

PHY_P_To_C:

Size: 1 octet

Value	Parameter Description
0x01	The transmitter PHY of packets from the Peripheral is LE 1M.
0x02	The transmitter PHY of packets from the Peripheral is LE 2M.
0x03	The transmitter PHY of packets from the Peripheral is LE Coded.
All other values	Reserved for future use.

NSE:

Size: 1 octet

Value	Parameter Description
0x01 to 0x1F	Maximum number of subevents in each CIS event
All other values	Reserved for future use

BN_C_To_P:

Size: 1 octet

Value	Parameter Description
0x00	No isochronous data from the Central to the Peripheral
0x01 to 0x0F	The burst number for Central to Peripheral transmission
All other values	Reserved for future use



BN_P_To_C:

Size: 1 octet

Value	Parameter Description
0x00	No isochronous data from the Peripheral to the Central
0x01 to 0x0F	The burst number for Peripheral to Central transmission
All other values	Reserved for future use

FT_C_To_P:

Size: 1 octet

Value	Parameter Description
0xXX	The flush timeout, in multiples of the ISO_Interval for the CIS, for each payload sent from the Central to the Peripheral. Range: 0x01 to 0xFF

FT_P_To_C:

Size: 1 octet

Value	Parameter Description
0xXX	The flush timeout, in multiples of the ISO_Interval for the CIS, for each payload sent from the Peripheral to the Central. Range: 0x01 to 0xFF

Max_PDU_C_To_P:

Size: 2 octets

Value	Parameter Description
0x0000 to 0x00FB	Maximum size, in octets, of the payload from Central to Peripheral
All other values	Reserved for future use

Max_PDU_P_To_C:

Size: 2 octets

Value	Parameter Description
0x0000 to 0x00FB	Maximum size, in octets, of the payload from Peripheral to Central
All other values	Reserved for future use

ISO_Interval:

Size: 2 octets

Value	Parameter Description
N = 0xXXXX	The time between two consecutive CIS anchor points. Range: 0x0004 to 0x0C80 Time = N × 1.25 ms Time Range: 5 ms to 4 s.



7.7.65.26 LE CIS Request event

Event	Event Code	Event Parameters
HCI_LE_CIS_Request	0x3E	Subevent_Code, ACL_Connection_Handle, CIS_Connection_Handle, CIG_ID, CIS_ID

Description:

The HCI_LE_CIS_Request event indicates that a Controller has received a request to establish a CIS. If the Controller receives such a request while the HCI_LE_CIS_Request event is masked away, it shall reject it. Otherwise the Controller shall assign a connection handle for the requested CIS and send the handle in the CIS_Connection_Handle parameter of the event.

When the Host receives this event it shall respond with either an HCI_LE_Accept_CIS_Request command or an HCI_LE_Reject_CIS_Request command before the timer Connection_Accept_Timeout expires. If it does not, the Controller shall reject the request and generate an HCI_LE_CIS_Established event with the status *Connection Accept Timeout Exceeded* (0x10).

The ACL_Connection_Handle is the connection handle of the ACL connection that is associated with the requested CIS.

The CIG_ID parameter contains the identifier of the CIG that contains the requested CIS. This parameter is sent by the Central in the request to establish the CIS.

The CIS_ID parameter contains the identifier of the requested CIS. This parameter is sent by the Central in the request to establish the CIS.

Event parameters:

Subevent_Code: *Size: 1 octet*

Value	Parameter Description
0x1A	Subevent Code for the HCI_LE_CIS_Request event

ACL_Connection_Handle: *Size: 2 octets (12 bits meaningful)*

Value	Parameter Description
0xXXXX	Connection handle of the ACL Range: 0x0000 to 0x0EFF

**CIS_Connection_Handle:****Size: 2 octets (12 bits meaningful)**

Value	Parameter Description
0xXXXX	Connection handle of the CIS Range: 0x0000 to 0x0EFF

CIG_ID:**Size: 1 octet**

Value	Parameter Description
0x00 to 0xEF	Identifier of the CIG
All other values	Reserved for future use

CIS_ID:**Size: 1 octet**

Value	Parameter Description
0x00 to 0xEF	Identifier of the CIS
All other values	Reserved for future use



7.7.65.27 LE Create BIG Complete event

Event	Event Code	Event Parameters
HCI_LE_Create_BIG_Complete	0x3E	Subevent_Code, Status, BIG_Handle, BIG_Sync_Delay, Transport_Latency_BIG, PHY, NSE, BN, PTO, IRC, Max_PDU, ISO_Interval, Num_BIS, Connection_Handle[i]

Description:

The HCI_LE_Create_BIG_Complete event indicates that the HCI_LE_Create_BIG or HCI_LE_Create_BIG_Test command has completed and, if successful, the Link Layer has entered the Isochronous Broadcasting state.

The BIG_Handle parameter shall be the same as the one specified in the command that has completed.

The BIG_Sync_Delay parameter is the maximum time, in microseconds, for transmission of PDUs of all BISes in a BIG event (see [\[Vol 6\] Part B, Section 4.4.6.4](#)).

The Transport_Latency_BIG parameter is the actual transport latency, in microseconds, as described in [\[Vol 6\] Part G, Section 3.2.1](#) and [\[Vol 6\] Part G, Section 3.2.2](#).

The Num_BIS parameter is the total number of BISes in the BIG. This parameter shall be the same as the parameter that is provided by the Host in the command that has completed.

The PHY parameter is the PHY used to create the BIG.

The NSE, BN, PTO, IRC, Max_PDU, and ISO_Interval parameters are the corresponding parameters of the BIS (see [\[Vol 6\] Part B, Section 4.4.6.3](#)).

The Connection_Handle arrayed parameter contains the connection handles of all the BIS in the BIG.



Event parameters:

Subevent_Code: *Size: 1 octet*

Value	Parameter Description
0x1B	Subevent Code for the HCI_LE_Create_BIG_Complete event

Status: *Size: 1 octet*

Value	Parameter Description
0x00	The BIG was successfully created.
0x01 to 0xFF	There was an error creating the BIG. See [Vol 1] Part F, Controller Error Codes for a list of error codes and descriptions.

BIG_Handle: *Size: 1 octet*

Value	Parameter Description
0x00 to 0xEF	The identifier of the BIG
All other values	Reserved for future use

BIG_Sync_Delay: *Size: 3 octets*

Value	Parameter Description
0x0000EA to 0x7FFFFFFF	The maximum time in microseconds for transmission of PDUs of all BISes in a BIG event
All other values	Reserved for future use.

Transport_Latency_BIG: *Size: 3 octets*

Value	Parameter Description
0x0000EA to 0x7FFFFFFF	The actual transport latency, in microseconds
All other values	Reserved for future use

PHY: *Size: 1 octet*

Value	Parameter Description
0x01	The PHY used to create the BIG is LE 1M.
0x02	The PHY used to create the BIG is LE 2M.
0x03	The PHY used to create the BIG is LE Coded.
All other values	Reserved for future use.



NSE:

Size: 1 octet

Value	Parameter Description
0x01 to 0x1F	The number of subevents in each BIS event in the BIG
All other values	Reserved for future use

BN:

Size: 1 octet

Value	Parameter Description
0x01 to 0x07	The number of new payloads in each BIS event
All other values	Reserved for future use

PTO:

Size: 1 octet

Value	Parameter Description
0x00 to 0x0F	Offset used for pre-transmissions
All other values	Reserved for future use

IRC:

Size: 1 octet

Value	Parameter Description
0x01 to 0x0F	The number of times a payload is transmitted in a BIS event
All other values	Reserved for future use

Max_PDU:

Size: 2 octets

Value	Parameter Description
0x0001 to 0x00FB	Maximum size, in octets, of the payload
All other values	Reserved for future use

ISO_Interval:

Size: 2 octets

Value	Parameter Description
N = 0xXXXX	The time between two consecutive BIG anchor points. Range: 0x0004 to 0x0C80 Time = N × 1.25 ms Time Range: 5 ms to 4 s.

Num_BIS:

Size: 1 octet

Value	Parameter Description
0x01 to 0x1F	Total number of BISes in the BIG
All other values	Reserved for future use



Connection_Handle[j]: *Size: 2 octets (12 bits meaningful) × Num_BIS*

Value	Parameter Description
0xXXXX	Connection handle of a BIS Range: 0x0000 to 0x0EFF



7.7.65.28 LE Terminate BIG Complete event

Event	Event Code	Event Parameters
HCI_LE_Terminate_BIG_Complete	0x3E	Subevent_Code, BIG_Handle, Reason

Description:

The HCI_LE_Terminate_BIG_Complete event indicates that the transmission of all the BISes in the BIG are terminated.

The BIG_Handle parameter is used to identify the BIG that is terminated. This parameter is provided by the Host in the HCI_LE_Terminate_BIG command.

If the BIG is terminated by the local Host, the Reason parameter shall be set to the error code *Connection Terminated By Local Host* (0x16).

Event parameters:

Subevent_Code: *Size: 1 octet*

Value	Parameter Description
0x1C	Subevent Code for the HCI_LE_Terminate_BIG_Complete event

BIG_Handle: *Size: 1 octet*

Value	Parameter Description
0x00 to 0xEF	The identifier of the BIG
All other values	Reserved for future use

Reason: *Size: 1 octet*

Value	Parameter Description
0xXX	Reason for termination. See [Vol 1] Part F, Controller Error Codes for a list of error codes and descriptions.



7.7.65.29 LE BIG Sync Established event

Event	Event Code	Event Parameters
HCI_LE_BIG_Sync_Established	0x3E	Subevent_Code, Status, BIG_Handle, Transport_Latency_BIG, NSE, BN, PTO, IRC, Max_PDU, ISO_Interval, Num_BIS, Connection_Handle[i]

Description:

The HCI_LE_BIG_Sync_Established event indicates that the HCI_LE_BIG_-Create_Sync command has completed.

The BIG_Handle parameter is used to identify the BIG. This parameter is provided by the Host in the HCI_LE_BIG_Create_Sync command.

The Transport_Latency_BIG parameter is the actual transport latency, in microseconds, as described in [\[Vol 6\] Part G, Section 3.2.1](#) and [\[Vol 6\] Part G, Section 3.2.2](#).

The NSE, BN, PTO, IRC, Max_PDU, and ISO_Interval parameters are the corresponding parameters of the BIS (see [\[Vol 6\] Part B, Section 4.4.6.3](#)).

The Num_BIS parameter indicates the number of BISes in the synchronized BIG specified by the HCI_LE_BIG_Create_Sync command. This parameter shall be the same as the parameter that is provided by the Host in the HCI_LE_BIG_Create_Sync command.

The Connection_Handle arrayed parameter is the list of connection handle(s) of the BIS(es) that are requested in the HCI_LE_BIG_Create_Sync command. The order of the connection handle(s) shall correspond to the order of the BIS(s) that are requested in the BIS arrayed parameter field of the HCI_LE_BIG_Create_Sync command.



Event parameters:

Subevent_Code: *Size: 1 octet*

Value	Parameter Description
0x1D	Subevent Code for the HCI_LE_BIG_Sync_Established event

Status: *Size: 1 octet*

Value	Parameter Description
0x00	Synchronization to the BIG is completed.
0x01 to 0xFF	Synchronization to the BIG failed to complete. See [Vol 1] Part F, Controller Error Codes for a list of error codes and descriptions.

BIG_Handle: *Size: 1 octet*

Value	Parameter Description
0x00 to 0xEF	The identifier of the BIG
All other values	Reserved for future use

Transport_Latency_BIG: *Size: 3 octets*

Value	Parameter Description
0x0000EA to 0x7FFFFFFF	The actual transport latency, in microseconds
All other values	Reserved for future use

NSE: *Size: 1 octet*

Value	Parameter Description
0x01 to 0x1F	The number of subevents in each BIS event in the BIG
All other values	Reserved for future use

BN: *Size: 1 octet*

Value	Parameter Description
0x01 to 0x07	The number of new payloads in each BIS event
All other values	Reserved for future use

PTO: *Size: 1 octet*

Value	Parameter Description
0x00 to 0x0F	Offset used for pre-transmissions
All other values	Reserved for future use



IRC:

Size: 1 octet

Value	Parameter Description
0x01 to 0x0F	The number of times a payload is transmitted in a BIS event
All other values	Reserved for future use

Max_PDU:

Size: 2 octets

Value	Parameter Description
0x0001 to 0x00FB	Maximum size, in octets, of the payload
All other values	Reserved for future use

ISO_Interval:

Size: 2 octets

Value	Parameter Description
N = 0xXXXX	The time between two consecutive BIG anchor points. Range: 0x0004 to 0x0C80 Time = N × 1.25 ms Time Range: 5 ms to 4 s.

Num_BIS:

Size: 1 octet

Value	Parameter Description
0x01 to 0x1F	Total number of BISes in the BIG
All other values	Reserved for future use

Connection_Handle[i]:

Size: Num_BIS × 2 octets (12 bits meaningful)

Value	Parameter Description
0xXXXX	Connection handle of a BIS in the BIG Range: 0x0000 to 0x0EFF



7.7.65.30 LE BIG Sync Lost event

Event	Event Code	Event Parameters
HCI_LE_BIG_Sync_Lost	0x3E	Subevent_Code, BIG_Handle, Reason

Description:

The HCI_LE_BIG_Sync_Lost event indicates that the Controller has not received any PDUs on a BIG within the timeout period BIG_Sync_Timeout or the BIG has been terminated by the remote device.

The BIG_Handle parameter is used to identify the BIG. This parameter is provided by the Host in the HCI_LE_BIG_Create_Sync command.

The Reason parameter is used to indicate the reason why the synchronization was lost or terminated. If synchronization was terminated due to the Broadcaster terminating the BIG, the Reason parameter shall be set to the error code *Remote User Terminated Connection* (0x13). If synchronization was terminated due to a timeout, the Reason parameter shall be set to the error code *Connection Timeout* (0x08). If synchronization was terminated due to a MIC failure, the Reason parameter shall be set to the error code *Connection Terminated due to MIC Failure* (0x3D).

When the HCI_LE_BIG_Sync_Lost event occurs, the Controller shall remove the connection handle(s) and data paths of all BIS(s) in the BIG with which the Controller was synchronized.

Event parameters:

Subevent_Code: *Size: 1 octet*

Value	Parameter Description
0x1E	Subevent Code for the HCI_LE_BIG_Sync_Lost event

BIG_Handle: *Size: 1 octet*

Value	Parameter Description
0x00 to 0xEF	The identifier of a BIG
All other values	Reserved for future use

Reason: *Size: 1 octet*

Value	Parameter Description
0xXX	The synchronization to BIG is terminated. See [Vol 1] Part F, Controller Error Codes for a list of error codes and descriptions.



7.7.65.31 LE Request Peer SCA Complete event

Event	Event Code	Event Parameters
HCI_LE_Request_Peer_SCA_Complete	0x3E	Subevent_Code, Status, Connection_Handle, Peer_Clock_Accuracy

Description:

The HCI_LE_Request_Peer_SCA_Complete event indicates that the HCI_LE_Request_Peer_SCA command has been completed.

The Peer_Clock_Accuracy parameter contains the sleep clock accuracy of the peer.

The Connection_Handle is the connection handle of the ACL connection in which the HCI_LE_Request_Peer_SCA command is issued.

Event parameters:

Subevent_Code: *Size: 1 octet*

Value	Parameter Description
0x1F	Subevent Code for the HCI_LE_Request_Peer_SCA_Complete event

Status: *Size: 1 octet*

Value	Parameter Description
0x00	The Peer_Clock_Accuracy parameter is successfully received.
0x01 to 0xFF	The reception of Peer_Clock_Accuracy parameter failed. See [Vol 1] Part F, Controller Error Codes for a list of error codes and descriptions.

Connection_Handle: *Size: 2 octets (12 bits meaningful)*

Value	Parameter Description
0xXXXX	Connection handle of the ACL Range: 0x0000 to 0x0EFF

Peer_Clock_Accuracy: *Size: 1 octet*

Value	Parameter Description
0x00	251 ppm to 500 ppm
0x01	151 ppm to 250 ppm
0x02	101 ppm to 150 ppm



Value	Parameter Description
0x03	76 ppm to 100 ppm
0x04	51 ppm to 75 ppm
0x05	31 ppm to 50 ppm
0x06	21 ppm to 30 ppm
0x07	0 ppm to 20 ppm
All other values	Reserved for future use



7.7.65.32 LE Path Loss Threshold event

Event	Event Code	Event Parameters
HCI_LE_Path_Loss_Threshold	0x3E	Subevent_Code, Connection_Handle, Current_Path_Loss, Zone_Entered

Description:

The HCI_LE_Path_Loss_Threshold event is used to report a path loss threshold crossing (see [Vol 6] Part B, Section 4.5.16) on the ACL connection identified by the Connection_Handle parameter.

The Current_Path_Loss parameter indicates the current path loss value as calculated by the Controller.

The Zone_Entered parameter indicates which zone was entered. If Current_Path_Loss is set to 0xFF then Zone_Entered shall be ignored.

Event parameters:

Subevent_Code: *Size: 1 octet*

Value	Parameter Description
0x20	Subevent code for the HCI_LE_Path_Loss_Threshold event

Connection_Handle: *Size: 2 octets (12 bits meaningful)*

Value	Parameter Description
0xFFFF	Connection_Handle Range: 0x0000 to 0x0EFF

Current_Path_Loss: *Size: 1 octet*

Value	Parameter Description
0xFF	Unavailable
0xXX	Current path loss (always zero or positive) Units: dB

Zone_Entered: *Size: 1 octet*

Value	Parameter Description
0x00	Entered low zone
0x01	Entered middle zone



Value	Parameter Description
0x02	Entered high zone
All other values	Reserved for future use



7.7.65.33 LE Transmit Power Reporting event

Event	Event Code	Event Parameters
HCI_LE_Transmit_Power_Reporting	0x3E	Subevent_Code, Status, Connection_Handle, Reason, PHY, TX_Power_Level, TX_Power_Level_Flag, Delta

Description:

The HCI_LE_Transmit_Power_Reporting event is used to report the transmit power level on the ACL connection identified by the Connection_Handle parameter.

The Reason parameter indicates why the event was sent and the device whose transmit power level is being reported.

Whenever the transmit power changes and local reporting has been enabled by the HCI_LE_Set_Transmit_Power_Reporting_Enable command, the Controller shall generate this event with Reason set to 0x00. In this case, the PHY, TX_Power_Level, TX_Power_Level_Flag and Delta parameters shall refer to the local device and the Status parameter shall be ignored.

Whenever the Controller becomes aware that the peer's transmitter power has changed other than through an HCI_LE_Read_Remote_Transmit_Power_Level command and remote reporting has been enabled by the HCI_LE_Set_Transmit_Power_Reporting_Enable command, the Controller shall generate this event with Reason set to 0x01. In this case, the PHY, TX_Power_Level, TX_Power_Level_Flag and Delta parameters shall refer to the remote device and the Status parameter shall be ignored.

When the Reason is set to 0x02, this event indicates completion of an HCI_LE_Read_Remote_Transmit_Power_Level command. In this case, the PHY, TX_Power_Level, TX_Power_Level_Flag and Delta parameters shall refer to the remote device.

The PHY parameter shall indicate the PHY involved (which might not be the current transmit PHY for the relevant device).

The TX_Power_Level parameter shall indicate the transmit power level for the PHY.



The TX_Power_Level_Flag parameter shall indicate whether the transmit power level that is being reported has reached its minimum and/or maximum level. TX_Power_Level_Flag shall be ignored if the TX_Power_Level parameter is set to 0x7E or 0x7F.

The Delta parameter shall be set to the change in power level for the transmitter being reported, whenever it changes its transmit power level. When this event is generated with Reason set to 0x02, Delta shall be set to zero. Delta shall be ignored if the TX_Power_Level parameter is set to 0x7E.

Event parameters:

Subevent_Code: *Size: 1 octet*

Value	Parameter Description
0x21	Subevent code for the HCI_LE_Transmit_Power_Reporting event

Status: *Size: 1 octet*

Value	Parameter Description
0x00	HCI_LE_Read_Remote_Transmit_Power_Level command succeeded.
0x01 to 0xFF	HCI_LE_Read_Remote_Transmit_Power_Level command failed. See [Vol 1] Part F, Controller Error Codes for a list of error codes and descriptions.

Connection_Handle: *Size: 2 octets (12 bits meaningful)*

Value	Parameter Description
0xXXXX	Connection_Handle Range: 0x0000 to 0x0EFF

Reason: *Size: 1 octet*

Value	Parameter Description
0x00	Local transmit power changed
0x01	Remote transmit power changed
0x02	HCI_LE_Read_Remote_Transmit_Power_Level command completed
All other values	Reserved for future use

PHY: *Size: 1 octet*

Value	Parameter Description
0x01	LE 1M PHY
0x02	LE 2M PHY



Value	Parameter Description
0x03	LE Coded PHY with S=8 data coding
0x04	LE Coded PHY with S=2 data coding
All other values	Reserved for future use

TX_Power_Level:

Size: 1 octet

Value	Parameter Description
0xXX	Transmit power level Range: -127 to 20 Units: dBm
0x7E	Remote device is not managing power levels on this PHY.
0x7F	Transmit power level is not available

TX_Power_Level_Flag:

Size: 1 octet

Bit Number	Meaning
0	Transmit power level is at minimum level
1	Transmit power level is at maximum level
All other bits	Reserved for future use

Delta:

Size: 1 octet

Value	Parameter Description
0xXX	Change in transmit power level (positive indicates increased power, negative indicates decreased power, zero indicates unchanged) Units: dB
0x7F	Change is not available or is out of range.



7.7.65.34 LE BIGInfo Advertising Report event

Event	Event Code	Event Parameters
HCI_LE_BIGInfo_Advertising_Report	0x3E	Subevent_Code, Sync_Handle Num_BIS, NSE, ISO_Interval, BN, PTO, IRC, Max_PDU, SDU_Interval, Max_SDU, PHY, Framing, Encryption

Description:

The HCI_LE_BIGInfo_Advertising_Report event indicates that the Controller has received an Advertising PDU that contained a BIGInfo field. If the Controller also generates an HCI_LE_Periodic_Advertising_Report event, the HCI_LE_BIGInfo_Advertising_Report event shall immediately follow that event.

An HCI_LE_BIGInfo_Advertising_Report event shall be generated even if the Controller is already synchronized to the BIG.

The Sync_Handle parameter shall identify the periodic advertising train containing the BIGInfo field and shall be the same as the corresponding field in the HCI_LE_Periodic_Advertising_Report event if one is generated.

The Num_BIS, NSE, ISO_Interval, BN, PTO, IRC, Max_PDU, SDU_Interval, Max_SDU, PHY, and Framing parameters correspond to the associated fields in the BIGInfo field of the Advertising PDU.

If the BIGInfo field indicates that the corresponding BIG is encrypted, the Encryption parameter shall be set to 0x01. Otherwise, the Encryption parameter shall be set to 0x00.

**Event parameters:***Subevent_Code:**Size: 1 octet*

Value	Parameter Description
0x22	Subevent code for the HCI_LE_BIGInfo_Advertising_Report event

*Sync_Handle:**Size: 2 octets (12 bits meaningful)*

Value	Parameter Description
0xXXXX	Sync_Handle identifying the periodic advertising train. Range: 0x0000 to 0x0EFF

*Num_BIS:**Size: 1 octet*

Value	Parameter Description
0x01 to 0x1F	Value of the Num_BIS subfield of the BIGInfo field
All other values	Reserved for future use

*NSE:**Size: 1 octet*

Value	Parameter Description
0x01 to 0x1F	Value of the NSE subfield of the BIGInfo field
All other values	Reserved for future use

*ISO_Interval:**Size: 2 octets*

Value	Parameter Description
0xXXXX	Value of the ISO_Interval subfield of the BIGInfo field

*BN:**Size: 1 octet*

Value	Parameter Description
0x01 to 0x07	Value of the BN subfield of the BIGInfo field
All other values	Reserved for future use

*PTO:**Size: 1 octet*

Value	Parameter Description
0x00 to 0x0F	Value of the PTO subfield of the BIGInfo field
All other values	Reserved for future use



IRC:

Size: 1 octet

Value	Parameter Description
0x01 to 0x0F	Value of the IRC subfield of the BIGInfo field
All other values	Reserved for future use

Max_PDU:

Size: 2 octets

Value	Parameter Description
0x0001 to 0x00FB	Value of the Max_PDU subfield of the BIGInfo
All other values	Reserved for future use

SDU_Interval:

Size: 3 octets

Value	Parameter Description
0x0000FF to 0x0FFFFFF	Value of the SDU_Interval subfield of the BIGInfo field
All other values	Reserved for future use

Max_SDU:

Size: 2 octets

Value	Parameter Description
0x0001 to 0x0FFF	Value of the Max_SDU subfield of the BIGInfo field in the Advertising PDU
All other values	Reserved for future use

PHY:

Size: 1 octet

Value	Parameter Description
0x01	The BIG is transmitted on the LE 1M PHY
0x02	The BIG is transmitted on the LE 2M PHY
0x03	The BIG is transmitted on the LE Coded PHY
All other values	Reserved for future use

Framing:

Size: 1 octet

Value	Parameter Description
0x00	Unframed
0x01	Framed
All other values	Reserved for future use

**Encryption:***Size: 1 octet*

Value	Parameter Description
0x00	BIG carries unencrypted data
0x01	BIG carries encrypted data
All other values	Reserved for future use



7.7.65.35 LE Subrate Change event

Event	Event Code	Event Parameters
HCI_LE_Subrate_Change	0x3E	Subevent_Code, Status, Connection_Handle, Subrate_Factor, Peripheral_Latency, Continuation_Number, Supervision_Timeout

Description:

The HCI_LE_Subrate_Change event is used to indicate that a Connection Subrate Update procedure has completed and some parameters of the specified connection have changed.

This event shall be issued if the HCI_LE_Subrate_Request command was issued by the Host or the parameters are updated successfully following a request from the peer device. If no parameters are updated following a request from the peer device or the parameters were changed using the Connection Update procedure, then this event shall not be issued.

Event parameters:

Subevent_Code: *Size: 1 octet*

Value	Parameter Description
0x23	Subevent Code for the HCI_LE_Subrate_Change event

Status: *Size: 1 octet*

Value	Parameter Description
0x00	The HCI_LE_Subrate_Request command succeeded or this event was generated following a request from the peer device.
0x01 to 0xFF	The HCI_LE_Subrate_Request command failed. See [Vol 1] Part F, Controller Error Codes for a list of error codes and descriptions.

Connection_Handle: *Size: 2 octets (12 bits meaningful)*

Value	Parameter Description
0xXXXX	Connection handle Range: 0x0000 to 0x0EFF

**Subrate_Factor:***Size: 2 octets*

Value	Parameter Description
0xXXXX	New subrate factor applied to the specified underlying connection interval Range 0x0001 to 0x01F4
All other values	Reserved for future use

Peripheral_Latency:*Size: 2 octets*

Value	Parameter Description
0xXXXX	New Peripheral latency for the connection in number of subrated connection events Range: 0x0000 to 0x01F3
All other values	Reserved for future use

Continuation_Number:*Size: 2 octets*

Value	Parameter Description
0xXXXX	Number of underlying connection events to remain active after a packet containing a Link Layer PDU with a non-zero Length field is sent or received Range: 0x0000 to 0x01F3
All other values	Reserved for future use

Supervision_Timeout:*Size: 2 octets*

Value	Parameter Description
N = 0xXXXX	New supervision timeout for this connection. Range: 0x000A to 0x0C80 Time = N × 10 ms Time Range: 100 ms to 32 s



7.7.65.36 LE Periodic Advertising Subevent Data Request event

Event	Event Code	Event Parameters
HCI_LE_Periodic_Advertising_Subevent_Data_Request	0x3E	Subevent_Code, Advertising_Handle, Subevent_Start, Subevent_Data_Count

Description:

The HCI_LE_Periodic_Advertising_Subevent_Data_Request event is used to allow the Controller to indicate that it is ready to transmit one or more subevents and is requesting the advertising data for these subevents. The Subevent_Data_Count parameter shall be less than or equal to the number of subevents. The Subevent_Start parameter is the first subevent being requested and the Subevent_Data_Count parameter determines the subsequent subevents being requested. The subevent numbers wrap from one less than the number of subevents to zero.

This event should be sent from the Controller when it has no data for upcoming subevents. The Controller should request data for as many subevents as it has memory to accept to minimize the number of events generated by the Controller.

Event parameters:

Subevent_Code: *Size: 1 octet*

Value	Parameter Description
0x27	Subevent code for the HCI_LE_Periodic_Advertising_Subevent_Data_Request event

Advertising_Handle: *Size: 1 octet*

Value	Parameter Description
0xXX	Used to identify a periodic advertising train Range: 0x00 to 0xEF

Subevent_Start: *Size: 1 octet*

Value	Parameter Description
0xXX	The first subevent that data is requested for. Range: 0x00 to 0x7F

***Subevent_Data_Count:****Size: 1 octet*

Value	Parameter Description
0xXX	The number of subevents that data is requested for. Range: 0x01 to 0x80



7.7.65.37 LE Periodic Advertising Response Report event

Event	Event Code	Event Parameters
HCI_LE_Periodic_Advertising_Response_Report	0x3E	Subevent_Code, Advertising_Handle, Subevent, Tx_Status, Num_Responses, Tx_Power[i], RSSI[i], CTE_Type[i], Response_Slot[i] Data_Status[i], Data_Length[i], Data[i]

Description:

The HCI_LE_Periodic_Advertising_Response_Report event indicates that one or more Bluetooth devices have responded to a periodic advertising subevent during a PAwR train. The Controller may queue these advertising reports and send information from multiple devices in one HCI_LE_Periodic_Advertising_Response_Report event.

The Controller may fail to transmit the synchronization packet required to enable the response packets to be sent. If this happens, the Controller can report this to the Host using the Tx_Status parameter.

The Controller may split the data from a single response into several reports. If so, each report except the last shall have a Data_Status of "incomplete, more data to come", while the last shall have the value "complete". No further reports shall be sent for a given periodic advertisement after one with a Data_Status other than "incomplete, more data to come".

Event parameters:

Subevent_Code: *Size: 1 octet*

Value	Parameter Description
0x28	Subevent code for the HCI_LE_Periodic_Advertising_Response_Report event



Advertising_Handle:

Size: 1 octet

Value	Parameter Description
0xXX	Used to identify a periodic advertising train Range: 0x00 to 0xEF

Subevent:

Size: 1 octet

Value	Parameter Description
0xXX	The subevent number. Range: 0x00 to 0x7F

Tx_Status:

Size: 1 octet

Value	Parameter Description
0x00	AUX_SYNC_SUBEVENT_IND packet was transmitted.
0x01	AUX_SYNC_SUBEVENT_IND packet was not transmitted.
All other values	Reserved for future use

Num_Responses:

Size: 1 octet

Value	Parameter Description
0x00 to 0x19	Number of responses in event.
All other values	Reserved for future use

TX_Power[i]:

Size: Num_Responses × 1 octet

Value	Parameter Description
0xXX	Range: -127 to +20 Units: dBm
0x7F	Tx Power information not available

RSSI[i]:

Size: Num_Responses × 1 octet

Value	Parameter Description
0xXX	Range: -127 to +20 Units: dBm
0x7F	RSSI is not available

CTE_Type[i]:

Size: Num_Responses × 1 octet

Value	Parameter Description
0x00	AoA Constant Tone Extension
0x01	AoA Constant Tone Extension with 1 μs slots



Value	Parameter Description
0x02	AoA Constant Tone Extension with 2 μ s slots
0xFF	No Constant Tone Extension
All other values	Reserved for future use

Response_Slot[i]: *Size: Num_Responses × 1 octet*

Value	Parameter Description
0xFF	The response slot the data was received in. Range: 0x00 to 0xFF

Data_Status[i]: *Size: Num_Responses × 1 octet*

Value	Parameter Description
0x00	Data complete
0x01	Data incomplete, more data to come
0xFF	Failed to receive an AUX_SYNC_SUBEVENT_RSP PDU
All other values	Reserved for future use

Data_Length[i]: *Size: Num_Responses × 1 octet*

Value	Parameter Description
0xFF	Length of the Data field

Data[i]: *Size: SUM (Data_Length[i]) octets*

Value	Parameter Description
Variable	Periodic advertising response data formatted as defined in [Vol 3] Part C, Section 11 . Note: Each element of this array has a variable length.



7.7.66 Triggered Clock Capture event

Event	Event Code	Event Parameters
HCI_Triggered_Clock_Capture	0x4E	Connection_Handle, Which_Clock, Clock, Slot_Offset

Description:

The HCI_Triggered_Clock_Capture event is sent to indicate that a triggering event has occurred at the specified clock and offset value. The Which_Clock parameter indicates whether the clock is local or a piconet clock. The Connection_Handle parameter is used when the clock is a piconet clock to indicate which piconet’s clock was reported.

The Clock parameter indicates the value of the selected clock at the instant of the triggering event, with bits 1 and 0 set to 0b00.

The Slot_Offset parameter indicates the number of microseconds (from 0 to 1249) from the instant at which the selected clock took the value Clock until the triggering event.

Note: What constitutes a triggering event is defined by the Controller implementation. For example, it could be an interrupt signal received by the Controller hardware.

Event parameters:

Connection_Handle: *Size: 2 octets (12 bits meaningful)*

Value	Parameter Description
0xXXXX	Connection_Handle Range: 0x0000 to 0x0EFF

Which_Clock: *Size: 1 octet*

Value	Parameter Description
0xXX	0x00 = Local Clock (Connection_Handle does not have to be valid) 0x01 = Piconet Clock (Connection_Handle shall be valid) 0x02 to 0xFF = Reserved for future use

Clock: *Size: 4 octets (28 bits meaningful)*

Value	Parameter Description
0XXXXXXXX	Bluetooth clock of the device requested with bits 1 and 0 set to 0b00.

Host Controller Interface Functional Specification**Slot_Offset:***Size: 2 octets*

Value	Parameter Description
0xXXXX	Number of microseconds from the selected clock attaining the value Clock until the triggering event. Range: 0 to 1249.



7.7.67 Synchronization Train Complete event

Event	Event Code	Event Parameters
HCI_Synchronization_Train_Complete	0x4F	Status

Description:

The HCI_Synchronization_Train_Complete event indicates that the HCI_Start_Synchronization_Train command has completed.

Event parameters:

Status:

Size: 1 octet

Value	Parameter Description
0x00	HCI_Start_Synchronization_Train command completed successfully.
0x01 to 0xFF	HCI_Start_Synchronization_Train command failed. See [Vol 1] Part F, Controller Error Codes , for error codes and descriptions.



7.7.68 Synchronization Train Received event

Event	Event Code	Event Parameters
HCI_Synchronization_Train_Received	0x50	Status, BD_ADDR, Clock_Offset, AFH_Channel_Map, LT_ADDR, Next_Broadcast_Instant, Connectionless_Peripheral_- Broadcast_Interval, Service_Data

Description:

The HCI_Synchronization_Train_Received event provides information received from a synchronization train packet transmitted by a Connectionless Peripheral Broadcast transmitter with the given BD_ADDR. If synchronization was successful, it provides the clock offset, AFH channel map, LT_ADDR, next broadcast instant, broadcast interval, and service data as received from the synchronization train payload. If the command returns a status of 0x01 to 0xFF, then all other parameters are undefined and shall be ignored.

A packet with the Connectionless Peripheral Broadcast LT_ADDR field in the payload set to zero shall be ignored for the purposes of this event.

Event parameters:

Status:

Size: 1 octet

Value	Parameter Description
0x00	HCI_Receive_Synchronization_Train command completed successfully.
0x01 to 0xFF	HCI_Receive_Synchronization_Train command failed. See [Vol 1 Part F], for error codes and descriptions.

BD_ADDR:

Size: 6 octets

Value	Parameter Description
0XXXXXXXXXXXXX	BD_ADDR of the Connectionless Peripheral Broadcast transmitter.

Clock_Offset:

Size: 4 octets (28 bits meaningful)

Value	Parameter Description
0XXXXXXXX	(CLKNreceiver - CLKNtransmitter) mod 2 ²⁸



AFH_Channel_Map: *Size: 10 octets (79 bits meaningful)*

Value	Parameter Description
0XXXXXXXXX XXXXXXXXXX XX	<p>This parameter contains 80 1-bit fields.</p> <p>The n^{th} such field (in the range 0 to 78) contains the value for channel n:</p> <p>0: channel n is unused 1: channel n is used</p> <p>The most significant bit (bit 79) is reserved for future use</p>

LT_ADDR: *Size: 1 octet*

Value	Parameter Description
0x01 to 0x07	LT_ADDR of Connectionless Peripheral Broadcast channel.
All other values	Reserved for future use

Next_Broadcast_Instant: *Size: 4 octets (28 bits meaningful)*

Value	Parameter Description
0XXXXXXXXX	CLK of a future broadcast on this channel

Connectionless_Peripheral_Broadcast_Interval: *Size: 2 octets*

Value	Parameter Description
0XXXXX	<p>Interval between Connectionless Peripheral Broadcast instants in slots.</p> <p>Range: 0x0002 to 0xFFFE; only even values are valid</p>

Service_Data: *Size: 1 octet*

Value	Parameter Description
0xXX	Value from octet 27 of the Synchronization Train packet; see [Vol 2 Part B, Table 8.11] .



7.7.69 Connectionless Peripheral Broadcast Receive event

Event	Event Code	Event Parameters
HCI_Connectionless_Peripheral_Broadcast_Receive	0x51	BD_ADDR, LT_ADDR, Clock, Offset, RX_Status, Fragment, Data_Length, Data

Description:

The HCI_Connectionless_Peripheral_Broadcast_Receive event shall be sent by the BR/EDR Controller every Connectionless Peripheral Broadcast Instant on which the BR/EDR Controller is scheduled to receive a Connectionless Peripheral Broadcast packet. If the packet is not received successfully, the event returns a RX_Status of 0x01. Otherwise, the event returns the payload Data along with the Piconet Clock and the offset from the local CLKN when the packet was received.

The BR/EDR Controller shall send multiple HCI_Connectionless_Peripheral_Broadcast_Receive events if the length of the received data exceeds the capacity of a single HCI_Connectionless_Peripheral_Broadcast_Receive event. The fragments shall be marked as starting, continuation, or ending to allow the Host to reassemble the received packet. Only a single event shall be generated for a Connectionless Peripheral Broadcast instant on which a Connectionless Peripheral Broadcast packet was scheduled for reception but the BR/EDR Controller failed to successfully receive it.

Event parameters:

BD_ADDR: *Size: 6 octets*

Value	Parameter Description
0XXXXXXXXXXXXX	BD_ADDR of the broadcasting (transmitter) device

LT_ADDR: *Size: 1 octet*

Value	Parameter Description
0x01 to 0x07	LT_ADDR of the Connectionless Peripheral Broadcast
All other values	Reserved for future use



Clock: *Size: 4 octets (28 bits meaningful)*

Value	Parameter Description
0XXXXXXXX	CLK when Connectionless Peripheral Broadcast data was received

Offset: *Size: 4 octets (28 bits meaningful)*

Value	Parameter Description
0XXXXXXXX	(CLKNreceiver - CLKNtransmitter) mod 2 ²⁸

RX_Status: *Size: 1 octet*

Value	Parameter Description
0x00	Packet received successfully
0x01	Packet not received successfully (Fragment, Data_Length, and Data fields invalid)
All other values	Reserved for future use

Fragment: *Size: 1 octet*

Value	Parameter Description
0x00	Continuation fragment
0x01	Starting fragment
0x02	Ending fragment
0x03	No fragmentation (single fragment)
All other values	Reserved for future use

Data_Length: *Size: 1 octet*

Value	Parameter Description
0xXX	Length of Data field

Data: *Size: Data_Length octets*

Value	Parameter Description
Variable	Data received from a Connectionless Peripheral Broadcast packet.



7.7.70 Connectionless Peripheral Broadcast Timeout event

Event	Event Code	Event Parameters
HCI_Connectionless_Peripheral_Broadcast_Timeout	0x52	BD_ADDR, LT_ADDR

Description:

On the Connectionless Peripheral Broadcast Receiver, the HCI_Connectionless_Peripheral_Broadcast_Timeout event indicates to the Host that the BR/EDR Controller has lost synchronization with the Connectionless Peripheral Broadcast because no Connectionless Peripheral Broadcast packets have been received for the timeout interval, *CPB_supervisionTO*, specified in the HCI_Set_Connectionless_Peripheral_Broadcast_Receive command.

On the Connectionless Peripheral Broadcast Transmitter, the HCI_Connectionless_Peripheral_Broadcast_Timeout event indicates to the Host that the BR/EDR Controller has been unable to transmit a Connectionless Peripheral Broadcast packet for the timeout interval, *CPB_supervisionTO*, specified in the HCI_Set_Connectionless_Peripheral_Broadcast command.

Event parameters:

BD_ADDR: *Size: 6 octets*

Value	Parameter Description
0XXXXXXXXXXXXX	BD_ADDR of the broadcasting (transmitter) device

LT_ADDR: *Size: 1 octet*

Value	Parameter Description
0x01 to 0x07	LT_ADDR of the Connectionless Peripheral Broadcast
All other values	Reserved for future use



7.7.71 Truncated Page Complete event

Event	Event Code	Event Parameters
HCI_Truncated_Page_Complete	0x53	Status, BD_ADDR

Description:

The HCI_Truncated_Page_Complete event indicates to the Host that an HCI_Truncated_Page command completed. Truncated Paging is considered to be successful when a Peripheral page response ID packet has been received by the local BR/EDR Controller. See [\[Vol 2\] Part B, Section 8.3.3](#) for more information.

An HCI_Truncated_Page_Complete event shall always be sent for each HCI_Truncated_Page command. If the Host issues an HCI_Truncated_Page_Cancel command before the Controller returns the HCI_Truncated_Page_Complete event, then the HCI_Truncated_Page_Complete event shall be sent after the HCI_Command_Complete event for the HCI_Truncated_Page_Cancel command. If the cancellation was successful, the HCI_Truncated_Page_Complete event shall be generated with the error code *Unknown Connection Identifier* (0x02).

Event parameters:

Status:

Size: 1 octet

Value	Parameter Description
0x00	HCI_Truncated_Page command completed successfully.
0x01 to 0xFF	HCI_Truncated_Page command failed. See [Vol 1] Part F, Controller Error Codes for a list of error codes and descriptions.

BD_ADDR:

Size: 6 octets

Value	Parameter Description
0XXXXXXXXXXXXX	BD_ADDR of the paged (Peripheral) device



7.7.72 Peripheral Page Response Timeout event

Event	Event Code	Event Parameters
HCI_Peripheral_Page_Response_ - Timeout	0x54	<i>none</i>

Description:

The HCI_Peripheral_Page_Response_Timeout event indicates to the Host that a Peripheral page response timeout has occurred in the BR/EDR Controller.

Note: This event will be generated if the Peripheral BR/EDR Controller responds to a page but does not receive the Central FHS packet (see [\[Vol 2\] Part B, Section 8.3.3](#)) within *pagerespTO*.

Event parameters:

None



7.7.73 Connectionless Peripheral Broadcast Channel Map Change event

Event	Event Code	Event Parameters
HCI_Connectionless_Peripheral_Broadcast_Channel_Map_Change	0x55	Channel_Map

Description:

The HCI_Connectionless_Peripheral_Broadcast_Channel_Map_Change event is sent by the Transmitter's BR/EDR Controller to the Transmitter's Host to indicate that the Transmitter's BR/EDR Controller has moved to a new AFH channel map for the PBD logical link.

After an AFH channel map change takes effect for the PBD logical link, the Connectionless Peripheral Broadcast Transmitter BR/EDR Controller shall send this event to the Host. Upon reception of this event, the Host may restart the synchronization train to allow receivers to obtain the updated AFH channel map.

This event shall also be sent if the Host issues an HCI_Set_AFH_Host_Channel_Classification command which causes the Connectionless Peripheral Broadcast Channel Map to change.

Event parameters:

Channel_Map: *Size: 10 octets (79 bits meaningful)*

Value	Parameter Description
0XXXXXXXXX XXXXXXXXXX XX	This parameter contains 80 1-bit fields. The n^{th} such field (in the range 0 to 78) contains the value for channel n : 0: channel n is unused 1: channel n is used The most significant bit (bit 79) is reserved for future use



7.7.74 Inquiry Response Notification event

Event	Event Code	Event Parameters
HCI_Inquiry_Response_Notification	0x56	LAP, RSSI

Description:

The HCI_Inquiry_Response_Notification event indicates to the Host that the BR/EDR Controller responded to an Inquiry message. The LAP parameter in the event indicates the LAP used to create the access code received. The parameter may be used by the Host to determine which access code was used in cases where the BR/EDR Controller is performing inquiry scan on multiple inquiry access codes using parallel scanning or sequential scanning. See [\[Vol 3\] Part C, Section 4.1.2.1](#) for details on sequential and parallel scanning.

The LAP parameter returned by the BR/EDR Controller shall be one of the LAPs currently enabled. LAPs are enabled via the HCI_Write_Current_IAC_-LAP command.

The RSSI parameter indicates the signal strength of the received ID packet.

Event parameters:

LAP:

Size: 3 octets

Value	Parameter Description
0xXXXXXX	The LAP from which the IAC was derived; see Assigned Numbers . Range: 0x9E8B00 to 0x9E8B3F

RSSI:

Size: 1 octet

Value	Parameter Description
0xXX	Range: -100 to 20, +127 indicates unknown RSSI Units: dBm



7.7.75 Authenticated Payload Timeout Expired event

Event	Event Code	Event Parameters
HCI_Authenticated_Payload_Timeout_Expired	0x57	Connection_Handle

Description:

The HCI_Authenticated_Payload_Timeout_Expired event is used to indicate that a packet containing a valid MIC on the Connection_Handle was not received within the *authenticatedPayloadTO* (see [Vol 2] Part B, Appendix B for the BR/EDR and [Vol 6] Part B, Section 5.4 for the LE connection).

Note: A Host may choose to disconnect the link when this occurs.

Event parameters:

Connection_Handle: *Size: 2 octet (12 bits meaningful)*

Value	Parameter Description
0xXXXX	Connection_Handle Range: 0x0000 to 0x0EFF



7.7.76 SAM Status Change event

Event	Event Code	Event Parameters
HCI_SAM_Status_Change	0x58	Connection_Handle, Local_SAM_Index, Local_SAM_TX_Availability, Local_SAM_RX_Availability, Remote_SAM_Index, Remote_SAM_TX_Availability, Remote_SAM_RX_Availability

Description:

The HCI_SAM_Status_Change event indicates that the Controller has changed the SAM status for the connection identified by the Connection_Handle; i.e., a new SAM slot map has been enabled or the existing one disabled.

Note: A change from one SAM slot map to another only generates one event, not two.

Event parameters:

Connection_Handle: *Size: 2 octets (12 bits meaningful)*

Value	Parameter Description
0xXXXX	Connection_Handle Range: 0x0000 to 0x0EFF

Local_SAM_Index: *Size: 1 octet*

Value	Parameter Description
0xXX	The index of the current SAM slot map used by the local device. 0xFF means SAM is disabled (i.e. all slots are available)

Local_SAM_TX_Availability: *Size: 1 octet*

Value	Parameter Description
0xXX	The proportion of slots available for the local device to transmit. 0 represents "less than 1 in 255" and 255 represents "all"; other proportions shall be linearly scaled. That is, $Local_SAM_TX_Availability = (total_available_TX_slots / local_T_{SAM}) \times 255$, rounded to the integer below, where total_available_TX_slots is the total number of slots available for transmission in the current local SAM slot map and local_TSAM is T _{SAM} for the current local SAM slot map.



Local_SAM_RX_Availability:

Size: 1 octet

Value	Parameter Description
0xXX	The proportion of slots available for the local device to receive. 0 represents "less than 1 in 255" and 255 represents "all"; other proportions shall be linearly scaled. That is, $Local_SAM_RX_Availability = (total_available_RX_slots / local_T_{SAM}) \times 255$, rounded to the integer below, where $total_available_RX_slots$ is the total number of slots available for reception in the current local SAM slot map and $local_T_{SAM}$ is T_{SAM} for the current local SAM slot map.

Remote_SAM_Index:

Size: 1 octet

Value	Parameter Description
0xXX	The index of the current SAM slot map used by the remote device. 0xFF means SAM is disabled (i.e. all slots are available)

Remote_SAM_TX_Availability:

Size: 1 octet

Value	Parameter Description
0xXX	The proportion of slots available for the remote device to transmit. 0 represents "less than 1 in 255" and 255 represents "all"; other proportions shall be linearly scaled. That is, $Remote_SAM_TX_Availability = (total_available_TX_slots / remote_T_{SAM}) \times 255$, rounded to the integer below, where $total_available_TX_slots$ is the total number of slots available for transmission in the current remote SAM slot map and $remote_T_{SAM}$ is T_{SAM} for the current remote SAM slot map.

Remote_SAM_RX_Availability:

Size: 1 octet

Value	Parameter Description
0xXX	The proportion of slots available for the remote device to receive. 0 represents "less than 1 in 255" and 255 represents "all"; other proportions shall be linearly scaled. That is, $Remote_SAM_RX_Availability = (total_available_RX_slots / remote_T_{SAM}) \times 255$, rounded to the integer below, where $total_available_RX_slots$ is the total number of slots available for reception in the current remote SAM slot map and $remote_T_{SAM}$ is T_{SAM} for the current remote SAM slot map.



7.8 LE CONTROLLER COMMANDS

The LE Controller commands provide access and control to various capabilities of the Bluetooth hardware, as well as methods for the Host to affect how the Link Layer manages the piconet and controls connections.

For the LE Controller commands, the OGF code is defined as 0x08.

7.8.1 LE Set Event Mask command

Command	OCF	Command Parameters	Return Parameters
HCI_LE_Set_Event_Mask	0x0001	LE_Event_Mask	Status

Description:

The HCI_LE_Set_Event_Mask command is used to control which LE events are generated by the HCI for the Host. If the bit in the LE_Event_Mask is set to a one, then the event associated with that bit will be enabled. The event mask allows the Host to control which events will interrupt it.

The Controller shall ignore those bits which are reserved for future use or represent events which it does not support. If the Host sets any of these bits to 1, the Controller shall act as if they were set to 0.

For LE events to be generated, the LE Meta event bit in the Event_Mask shall also be set. If that bit is not set, then LE events shall not be generated, regardless of how the LE_Event_Mask is set.

Command parameters:

LE_Event_Mask:

Size: 8 octets

Bit	LE Subevent Types
0	LE Connection Complete event
1	LE Advertising Report event
2	LE Connection Update Complete event
3	LE Read Remote Features Complete event
4	LE Long Term Key Request event
5	LE Remote Connection Parameter Request event
6	LE Data Length Change event
7	LE Read Local P-256 Public Key Complete event
8	LE Generate DHKey Complete event
9	LE Enhanced Connection Complete event [v1]



Bit	LE Subevent Types
10	LE Directed Advertising Report event
11	LE PHY Update Complete event
12	LE Extended Advertising Report event
13	LE Periodic Advertising Sync Established event [v1]
14	LE Periodic Advertising Report event [v1]
15	LE Periodic Advertising Sync Lost event
16	LE Scan Timeout event
17	LE Advertising Set Terminated event
18	LE Scan Request Received event
19	LE Channel Selection Algorithm event
20	LE Connectionless IQ Report event
21	LE Connection IQ Report event
22	LE CTE Request Failed event
23	LE Periodic Advertising Sync Transfer Received event [v1]
24	LE CIS Established event
25	LE CIS Request event
26	LE Create BIG Complete event
27	LE Terminate BIG Complete event
28	LE BIG Sync Established event
29	LE BIG Sync Lost event
30	LE Request Peer SCA Complete event
31	LE Path Loss Threshold event
32	LE Transmit Power Reporting event
33	LE BIGInfo Advertising Report event
34	LE Subrate Change event
35	LE Periodic Advertising Sync Established event [v2]
36	LE Periodic Advertising Report event [v2]
37	LE Periodic Advertising Sync Transfer Received event [v2]
38	LE Periodic Advertising Subevent Data Request event
39	LE Periodic Advertising Response Report event
40	LE Enhanced Connection Complete event [v2]
60 to 63	Reserved for future use (used for specification development purposes)



The value with all bits set to 0 indicates that no events are specified. The default is for bits 0 to 4 (the value 0x0000 0000 0000 001F) to be set.

All bits not listed in this table are reserved for future use.

Return parameters:

Status:

Size: 1 octet

Value	Parameter Description
0x00	HCI_LE_Set_Event_Mask command succeeded.
0x01 to 0xFF	HCI_LE_Set_Event_Mask command failed. See [Vol 1] Part F, Controller Error Codes for a list of error codes and descriptions.

Event(s) generated (unless masked away):

When the HCI_LE_Set_Event_Mask command has completed, an HCI_Command_Complete event shall be generated.



7.8.2 LE Read Buffer Size command

Command	OCF	Command Parameters	Return Parameters
HCI_LE_Read_Buffer_Size [v2]	0x0060	<i>none</i>	Status, LE_ACL_Data_Packet_Length, Total_Num_LE_ACL_Data_Packets, ISO_Data_Packet_Length, Total_Num_ISO_Data_Packets
HCI_LE_Read_Buffer_Size [v1]	0x0002	<i>none</i>	Status, LE_ACL_Data_Packet_Length, Total_Num_LE_ACL_Data_Packets

Description:

This command is used to read the maximum size of the data portion of ACL data packets and isochronous data packets sent from the Host to the Controller. The Host shall segment the data transmitted to the Controller according to these values so that the HCI ACL Data packets and HCI ISO Data packets will contain data up to this size (“data” includes optional fields in the HCI ISO Data packet, such as ISO_SDU_Length). The HCI_LE_Read_Buffer_Size command also returns the total number of HCI LE ACL Data packets and isochronous data packets that can be stored in the data buffers of the Controller. The HCI_LE_Read_Buffer_Size command shall be issued by the Host before it sends any data to an LE Controller (see [Section 4.1.1](#)). If the Controller supports HCI ISO Data packets, it shall return non-zero values for the ISO_Data_Packet_Length and Total_Num_ISO_Data_Packets parameters.

If the Controller returns a length value of zero for ACL data packets, the Host shall use the HCI_Read_Buffer_Size command to determine the size of the data buffers (shared between BR/EDR and LE transports).

Note: Both the HCI_Read_Buffer_Size command and the HCI_LE_Read_Buffer_Size command may return buffer length and number of packets parameter values that are nonzero. This allows a Controller to offer different buffers and number of buffers for BR/EDR data packets and LE data packets.

The LE_ACL_Data_Packet_Length return parameter shall be used to determine the maximum size of the L2CAP PDU segments that are contained in ACL data packets, and which are transferred from the Host to the Controller to be broken up into packets by the Link Layer. The Total_Num_LE_ACL_Data_Packets return parameter contains the total number of HCI ACL Data packets that can be stored in the data buffers of the Controller. The Host determines how to divide the buffers between different connection handles.

The ISO_Data_Packet_Length return parameter shall be used to determine the maximum size of the SDU segments that are contained in isochronous data



packets, and which are transferred from the Host to the Controller. The `Total_Num_ISO_Data_Packets` return parameter contains the total number of isochronous data packets that can be stored in the data buffers of the Controller. The Host determines how to divide the buffers between different connection handle(s).

Note: The `LE_ACL_Data_Packet_Length` and `ISO_Data_Packet_Length` return parameters do not include the length of the HCI ACL Data packet header or the HCI ISO Data packet header respectively.

Command parameters:

None

Return parameters:

Status: *Size: 1 octet*

Value	Parameter Description
0x00	The <code>HCI_LE_Read_Buffer_Size</code> command succeeded.
0x01 to 0xFF	The <code>HCI_LE_Read_Buffer_Size</code> command failed. See [Vol 1] Part F, Controller Error Codes for a list of error codes and descriptions.

LE_ACL_Data_Packet_Length: *Size: 2 octets*

Value	Parameter Description
0x0000	No dedicated LE Buffer exists. Use the <code>HCI_Read_Buffer_Size</code> command.
0x0001 to 0x001A	Reserved for future use.
0x001B to 0xFFFF	Maximum length (in octets) of the data portion of each HCI ACL data packet.

Total_Num_LE_ACL_Data_Packets: *Size: 1 octet*

Value	Parameter Description
0x00	No dedicated LE Buffer exists. Use the <code>HCI_Read_Buffer_Size</code> command.
0x01 to 0xFF	The total number of HCI ACL data packets that can be stored in the data buffers of the Controller.

ISO_Data_Packet_Length: *Size: 2 octets*

Value	Parameter Description
0x0000	No dedicated ISO Buffer exists.
0x0001 to 0xFFFF	The maximum length (in octets) of the data portion of each HCI ISO data packet.

**Total_Num_ISO_Data_Packets:****Size: 1 octet**

Value	Parameter Description
0x00	No dedicated ISO Buffer exists.
0x01 to 0xFF	The total number of HCI ISO data packets that can be stored in the ISO buffers of the Controller.

Event(s) generated (unless masked away):

When the HCI_LE_Read_Buffer_Size command has completed, an HCI_Command_Complete event shall be generated.



7.8.3 LE Read Local Supported Features command

Command	OCF	Command Parameters	Return Parameters
HCI_LE_Read_Local_Supported_Features	0x0003	none	Status, LE_Features

Description:

This command requests the list of the supported LE features for the Controller.

Command parameters:

None.

Return parameters:

Status:

Size: 1 octet

Value	Parameter Description
0x00	HCI_LE_Read_Local_Supported_Features command succeeded.
0x01 to 0xFF	HCI_LE_Read_Local_Supported_Features command failed. See [Vol 1] Part F, Controller Error Codes for a list of error codes and descriptions.

LE_Features:

Size: 8 octets

Value	Parameter Description
0xFFFFFFFFFFFFFFFF	Bit Mask List of supported LE features. See [Vol 6] Part B, Section 4.6 .

Event(s) generated (unless masked away):

When the HCI_LE_Read_Local_Supported_Features command has completed, an HCI_Command_Complete event shall be generated.



7.8.4 LE Set Random Address command

Command	OCF	Command Parameters	Return Parameters
HCI_LE_Set_Random_Address	0x0005	Random_Address	Status

Description:

The HCI_LE_Set_Random_Address command is used by the Host to set the LE Random Device Address in the Controller (see [Vol 6] Part B, Section 1.3).

If this command is used to change the address, the new random address shall take effect for advertising no later than the next successful HCI_LE_Set_Advertising_Enable command, for scanning no later than the next successful HCI_LE_Set_Scan_Enable command or HCI_LE_Set_Extended_Scan_Enable command, and for initiating no later than the next successful HCI_LE_Create_Connection command or HCI_LE_Extended_Create_Connection command.

Note: If the extended advertising commands are in use, this command only affects the address used for scanning and initiating. The addresses used for advertising are set by the HCI_LE_Set_Advertising_Set_Random_Address command (see Section 7.8.52).

If the Host issues this command when any of advertising (created using legacy advertising commands), scanning, or initiating are enabled, the Controller shall return the error code *Command Disallowed* (0x0C).

Command parameters:

Random_Address: *Size: 6 octets*

Value	Parameter Description
0XXXXXXXXXXXXX	Random Device Address as defined by [Vol 6] Part B, Section 1.3.

Return parameters:

Status: *Size: 1 octet*

Value	Parameter Description
0x00	HCI_LE_Set_Random_Address command succeeded.
0x01 to 0xFF	HCI_LE_Set_Random_Address command failed. See [Vol 1] Part F, Controller Error Codes for a list of error codes and descriptions.

**Event(s) generated (unless masked away):**

When the HCI_LE_Set_Random_Address command has completed, an HCI_Command_Complete event shall be generated.



7.8.5 LE Set Advertising Parameters command

Command	OCF	Command Parameters	Return Parameters
HCI_LE_Set_Advertising_Parameters	0x0006	Advertising_Interval_Min, Advertising_Interval_Max, Advertising_Type, Own_Address_Type, Peer_Address_Type, Peer_Address, Advertising_Channel_Map, Advertising_Filter_Policy	Status

Description:

The HCI_LE_Set_Advertising_Parameters command is used by the Host to set the advertising parameters.

The Advertising_Interval_Min shall be less than or equal to the Advertising_Interval_Max. The Advertising_Interval_Min and Advertising_Interval_Max should not be the same value to enable the Controller to determine the best advertising interval given other activities.

For high duty cycle directed advertising, i.e. when Advertising_Type is 0x01 (ADV_DIRECT_IND, high duty cycle), the Advertising_Interval_Min and Advertising_Interval_Max parameters are not used and shall be ignored.

The Advertising_Type is used to determine the packet type that is used for advertising when advertising is enabled.

Own_Address_Type parameter indicates the type of address being used in the advertising packets.

If Own_Address_Type equals 0x02 or 0x03, the Peer_Address parameter contains the peer’s Identity Address and the Peer_Address_Type parameter contains the Peer’s Identity Type (i.e. 0x00 or 0x01). These parameters are used to locate the corresponding local IRK in the resolving list; this IRK is used to generate the own address used in the advertisement.

If directed advertising is performed, i.e. when Advertising_Type is set to 0x01 (ADV_DIRECT_IND, high duty cycle) or 0x04 (ADV_DIRECT_IND, low duty cycle mode), then the Peer_Address_Type and Peer_Address shall be valid.

If Own_Address_Type equals 0x02 or 0x03, the Controller generates the peer’s Resolvable Private Address using the peer’s IRK corresponding to the peer’s Identity Address contained in the Peer_Address parameter and peer’s Identity Address Type (i.e. 0x00 or 0x01) contained in the Peer_Address_Type parameter.



The Advertising_Channel_Map is a bit field that indicates the advertising channel indices that shall be used when transmitting advertising packets. At least one channel bit shall be set in the Advertising_Channel_Map parameter.

The Advertising_Filter_Policy parameter shall be ignored when directed advertising is enabled.

The Host shall not issue this command when advertising is enabled in the Controller; if it is the *Command Disallowed* error code shall be used.

If the advertising interval range provided by the Host (Advertising_Interval_Min, Advertising_Interval_Max) does not overlap with the advertising interval range supported by the Controller, then the Controller shall return the *Unsupported Feature or Parameter Value* (0x11) error code.

Command parameters:

Advertising_Interval_Min: *Size: 2 octets*

Value	Parameter Description
N = 0xXXXX	Minimum advertising interval for undirected and low duty cycle directed advertising. Range: 0x0020 to 0x4000 Default: 0x0800 (1.28 s) Time = N × 0.625 ms Time Range: 20 ms to 10.24 s

Advertising_Interval_Max: *Size: 2 octets*

Value	Parameter Description
N = 0xXXXX	Maximum advertising interval for undirected and low duty cycle directed advertising. Range: 0x0020 to 0x4000 Default: 0x0800 (1.28 s) Time = N × 0.625 ms Time Range: 20 ms to 10.24 s

Advertising_Type: *Size: 1 octet*

Value	Parameter Description
0x00	Connectable and scannable undirected advertising (ADV_IND) (default)
0x01	Connectable high duty cycle directed advertising (ADV_DIRECT_IND, high duty cycle)
0x02	Scannable undirected advertising (ADV_SCAN_IND)
0x03	Non connectable undirected advertising (ADV_NONCONN_IND)



Value	Parameter Description
0x04	Connectable low duty cycle directed advertising (ADV_DIRECT_IND, low duty cycle)
All other values	Reserved for future use

Own_Address_Type:

Size: 1 octet

Value	Parameter Description
0x00	Public Device Address (default)
0x01	Random Device Address
0x02	Controller generates Resolvable Private Address based on the local IRK from the resolving list. If the resolving list contains no matching entry, use the public address.
0x03	Controller generates Resolvable Private Address based on the local IRK from the resolving list. If the resolving list contains no matching entry, use the random address from LE_Set_Random_Address.
All other values	Reserved for future use

Peer_Address_Type:

Size: 1 octet

Value	Parameter Description
0x00	Public Device Address (default) or Public Identity Address
0x01	Random Device Address or Random (static) Identity Address
All other values	Reserved for future use

Peer_Address:

Size: 6 octets

Value	Parameter Description
0XXXXXXXXXXXX	Public Device Address, Random Device Address, Public Identity Address, or Random (static) Identity Address of the device to be connected.

Advertising_Channel_Map:

Size: 1 octet

Bit Number	Parameter Description
0	Channel 37 shall be used
1	Channel 38 shall be used
2	Channel 39 shall be used
All other bits	Reserved for future use

The default is 0x07 (all three channels enabled).

**Advertising_Filter_Policy:****Size: 1 octet**

Value	Parameter Description
0x00	Process scan and connection requests from all devices (i.e., the Filter Accept List is not in use) (default).
0x01	Process connection requests from all devices and scan requests only from devices that are in the Filter Accept List.
0x02	Process scan requests from all devices and connection requests only from devices that are in the Filter Accept List.
0x03	Process scan and connection requests only from devices in the Filter Accept List.
All other values	Reserved for future use.

Return parameters:**Status:****Size: 1 octet**

Value	Parameter Description
0x00	HCI_LE_Set_Advertising_Parameters command succeeded.
0x01 to 0xFF	HCI_LE_Set_Advertising_Parameters command failed. See [Vol 1] Part F, Controller Error Codes for a list of error codes and descriptions.

Event(s) generated (unless masked away):

When the HCI_LE_Set_Advertising_Parameters command has completed, an HCI_Command_Complete event shall be generated.



7.8.6 LE Read Advertising Physical Channel Tx Power command

Command	OCF	Command Parameters	Return Parameters
HCI_LE_Read_Advertising_Channel_Tx_Power	0x0007	none	Status, TX_Power_Level

Description:

The HCI_LE_Read_Advertising_Physical_Channel_Tx_Power command is used by the Host to read the transmit power level used for LE advertising physical channel packets.

Command parameters:

None.

Return parameters:

Status:

Size: 1 octet

Value	Parameter Description
0x00	HCI_LE_Read_Advertising_Physical_Channel_Tx_Power command succeeded.
0x01 to 0xFF	HCI_LE_Read_Advertising_Physical_Channel_Tx_Power failed. See [Vol 1] Part F, Controller Error Codes for a list of error codes and descriptions.

TX_Power_Level:

Size: 1 octet

Value	Parameter Description
0xXX	Range: -127 to 20 Units: dBm Accuracy: ±4 dB

Event(s) generated (unless masked away):

When the HCI_LE_Read_Advertising_Physical_Channel_Tx_Power command has completed, an HCI_Command_Complete event shall be generated.



7.8.7 LE Set Advertising Data command

Command	OCF	Command Parameters	Return Parameters
HCI_LE_Set_Advertising_Data	0x0008	Advertising_Data_Length, Advertising_Data	Status

Description:

The HCI_LE_Set_Advertising_Data command is used to set the data used in advertising packets that have a data field.

Only the significant part of the Advertising_Data should be transmitted in the advertising packets, as defined in [Vol 3] Part C, Section 11.

If advertising is currently enabled, the Controller shall use the new data in subsequent advertising events. If an advertising event is in progress when this command is issued, the Controller may use the old or new data for that event. If advertising is currently disabled, the data shall be kept by the Controller and used once advertising is enabled.

The default Advertising_Data_Length shall be zero and the default Advertising_Data shall be 31 zero octets.

Command parameters:

Advertising_Data_Length: *Size: 1 octet*

Value	Parameter Description
0x00 to 0x1F	The number of significant octets in the Advertising_Data.

Advertising_Data: *Size: 31 octets*

Parameter Description
31 octets of advertising data formatted as defined in [Vol 3] Part C, Section 11.

Return parameters:

Status: *Size: 1 octet*

Value	Parameter Description
0x00	HCI_LE_Set_Advertising_Data command succeeded.
0x01 to 0xFF	HCI_LE_Set_Advertising_Data command failed. See [Vol 1] Part F, Controller Error Codes for a list of error codes and descriptions.

**Event(s) generated (unless masked away):**

When the HCI_LE_Set_Advertising_Data command has completed, an HCI_Command_Complete event shall be generated.



7.8.8 LE Set Scan Response Data command

Command	OCF	Command Parameters	Return Parameters
HCI_LE_Set_Scan_Response_Data	0x0009	Scan_Response_Data_Length, Scan_Response_Data	Status

Description:

This command is used to provide data used in Scanning Packets that have a data field.

Only the significant part of the Scan_Response_Data should be transmitted in the Scanning Packets, as defined in [\[Vol 3\] Part C, Section 11](#).

If advertising is currently enabled, the Controller shall use the new data in subsequent advertising events. If an advertising event is in progress when this command is issued, the Controller may use the old or new data for that event. If advertising is currently disabled, the data shall be kept by the Controller and used once advertising is enabled.

The default Scan_Response_Data_Length shall be zero and the default Scan_Response_Data shall be 31 zero octets.

Command parameters:

Scan_Response_Data_Length: *Size: 1 octet*

Value	Parameter Description
0x00 to 0x1F	The number of significant octets in the Scan_Response_Data.

Scan_Response_Data: *Size: 31 octets*

Parameter Description
31 octets of Scan_Response_Data formatted as defined in [Vol 3] Part C, Section 11 .

Return parameters:

Status: *Size: 1 octet*

Value	Parameter Description
0x00	HCI_LE_Set_Scan_Response_Data command succeeded.
0x01 to 0xFF	HCI_LE_Set_Scan_Response_Data command failed. See [Vol 1] Part F, Controller Error Codes for a list of error codes and descriptions.

**Event(s) generated (unless masked away):**

When the HCI_LE_Set_Scan_Response_Data command has completed, an HCI_Command_Complete event shall be generated.



7.8.9 LE Set Advertising Enable command¹

Command	OCF	Command Parameters	Return Parameters
HCI_LE_Set_Advertising_Enable	0x000A	Advertising_Enable	Status

Description:

The HCI_LE_Set_Advertising_Enable command is used to request the Controller to start or stop advertising. The Controller manages the timing of advertisements as per the advertising parameters given in the HCI_LE_Set_Advertising_Parameters command.

The Controller shall continue advertising until the Host issues an HCI_LE_Set_Advertising_Enable command with Advertising_Enable set to 0x00 (Advertising is disabled). a connection is created using the advertising, or the Advertising is timed out due to high duty cycle Directed Advertising. In these cases, advertising is then disabled.

If Advertising_Enable is set to 0x01, the advertising parameters' Own_Address_Type parameter is set to 0x00, and the device does not have a public address, the Controller should return an error code which should be *Invalid HCI Command Parameters* (0x12).

If Advertising_Enable is set to 0x01, the advertising parameters' Own_Address_Type parameter is set to 0x01, and the random address for the device has not been initialized using the HCI_LE_Set_Random_Address command, the Controller shall return the error code *Invalid HCI Command Parameters* (0x12).

If Advertising_Enable is set to 0x01, the advertising parameters' Own_Address_Type parameter is set to 0x02, the Controller's resolving list did not contain a matching entry, and the device does not have a public address, the Controller should return an error code which should be *Invalid HCI Command Parameters* (0x12).

If Advertising_Enable is set to 0x01, the advertising parameters' Own_Address_Type parameter is set to 0x03, the Controller's resolving list did not contain a matching entry, and the random address for the device has not been initialized using the HCI_LE_Set_Random_Address command, the Controller shall return the error code *Invalid HCI Command Parameters*.(0x12).

Enabling advertising when it is already enabled can cause the random address to change. Disabling advertising when it is already disabled has no effect.

1. This command was formerly called "LE Set Advertise Enable".



Command parameters:

Advertising_Enable:

Size: 1 octet

Value	Parameter Description
0x00	Advertising is disabled (default)
0x01	Advertising is enabled.
All other values	Reserved for future use

Return parameters:

Status:

Size: 1 octet

Value	Parameter Description
0x00	HCI_LE_Set_Advertising_Enable command succeeded.
0x01 to 0xFF	HCI_LE_Set_Advertising_Enable command failed. See [Vol 1] Part F, Controller Error Codes for a list of error codes and descriptions.

Event(s) generated (unless masked away):

When the HCI_LE_Set_Advertising_Enable command has completed, an HCI_Command_Complete event shall be generated.

If the Advertising_Type parameter is 0x01 (ADV_DIRECT_IND, high duty cycle) and the directed advertising fails to create a connection, an HCI_LE_Connection_Complete or HCI_LE_Enhanced_Connection_Complete event shall be generated with the Status code set to Advertising Timeout (0x3C).

If the Advertising_Type parameter is 0x00 (ADV_IND), 0x01 (ADV_DIRECT_IND, high duty cycle), or 0x04 (ADV_DIRECT_IND, low duty cycle) and a connection is created, an HCI_LE_Connection_Complete or HCI_LE_Enhanced_Connection_Complete event shall be generated.

Note: There is a possible race condition if the Advertising_Enable parameter is set to 0x00 (Disable) and the Advertising_Type parameter is 0x00, 0x01, or 0x04. The advertisements might not be stopped before a connection is created, and therefore both the HCI_Command_Complete event and either an HCI_LE_Connection_Complete event or an HCI_LE_Enhanced_Connection_Complete event could be generated. This can also occur when high duty cycle directed advertising is timed out and this command disables advertising.



7.8.10 LE Set Scan Parameters command

Command	OCF	Command Parameters	Return Parameters
HCI_LE_Set_Scan_Parameters	0x000B	LE_Scan_Type, LE_Scan_Interval, LE_Scan_Window, Own_Address_Type, Scanning_Filter_Policy	Status

Description:

The HCI_LE_Set_Scan_Parameters command is used to set the scan parameters.

The LE_Scan_Type parameter controls the type of scan to perform.

The LE_Scan_Interval and LE_Scan_Window parameters are recommendations from the Host on how long (LE_Scan_Window) and how frequently (LE_Scan_Interval) the Controller should scan (See [Vol 6] Part B, Section 4.4.3). The LE_Scan_Window parameter shall always be set to a value smaller or equal to the value set for the LE_Scan_Interval parameter. If they are set to the same value scanning should be run continuously.

Own_Address_Type parameter indicates the type of address being used in the scan request packets.

The Host shall not issue this command when scanning is enabled in the Controller; if it is the *Command Disallowed* error code shall be used.

Command parameters:

LE_Scan_Type:

Size: 1 octet

Value	Parameter Description
0x00	Passive Scanning. No scanning PDUs shall be sent (default)
0x01	Active scanning. Scanning PDUs may be sent.
All other values	Reserved for future use



LE_Scan_Interval:

Size: 2 octets

Value	Parameter Description
N = 0xXXXX	This is defined as the time interval from when the Controller started its last LE scan until it begins the subsequent LE scan. Range: 0x0004 to 0x4000 Default: 0x0010 (10 ms) Time = N × 0.625 ms Time Range: 2.5 ms to 10.24 s

LE_Scan_Window:

Size: 2 octets

Value	Parameter Description
N = 0xXXXX	The duration of the LE scan. LE_Scan_Window shall be less than or equal to LE_Scan_Interval Range: 0x0004 to 0x4000 Default: 0x0010 (10 ms) Time = N × 0.625 ms Time Range: 2.5 ms to 10.24 s

Own_Address_Type:

Size: 1 octet

Value	Parameter Description
0x00	Public Device Address (default)
0x01	Random Device Address
0x02	Controller generates Resolvable Private Address based on the local IRK from the resolving list. If the resolving list contains no matching entry, use the public address.
0x03	Controller generates Resolvable Private Address based on the local IRK from the resolving list. If the resolving list contains no matching entry, use the random address from LE_Set_Random_Address.
All other values	Reserved for future use.

Scanning_Filter_Policy:

Size: 1 octet

Value	Parameter Description
0x00	Basic unfiltered scanning filter policy
0x01	Basic filtered scanning filter policy
0x02	Extended unfiltered scanning filter policy
0x03	Extended filtered scanning filter policy
All other values	Reserved for future use.

**Return parameters:***Status:**Size: 1 octet*

Value	Parameter Description
0x00	HCI_LE_Set_Scan_Parameters command succeeded.
0x01 to 0xFF	HCI_LE_Set_Scan_Parameters command failed. See [Vol 1] Part F, Controller Error Codes for a list of error codes and descriptions.

Event(s) generated (unless masked away):

When the HCI_LE_Set_Scan_Parameters command has completed, an HCI_Command_Complete event shall be generated.



7.8.11 LE Set Scan Enable command

Command	OCF	Command Parameters	Return Parameters
HCI_LE_Set_Scan_Enabled	0x000C	LE_Scan_Enable, Filter_Duplicates	Status

Description:

The HCI_LE_Set_Scan_Enable command is used to start and stop scanning for legacy PDUs (but not extended PDUs, even if the device supports extended advertising). Scanning is used to discover advertising devices nearby.

The Filter_Duplicates parameter controls whether the Link Layer should filter out duplicate advertising reports (Filtering_Enabled) to the Host, or if the Link Layer should generate advertising reports for each packet received (Filtering_Disabled). See [Vol 6] Part B, Section 4.4.3.5. If LE_Scan_Enable is set to 0x00 then Filter_Duplicates shall be ignored.

If LE_Scan_Enable is set to 0x01, the scanning parameters' Own_Address_Type parameter is set to 0x00 or 0x02, and the device does not have a public address, the Controller should return an error code which should be *Invalid HCI Command Parameters* (0x12).

If LE_Scan_Enable is set to 0x01, the scanning parameters' Own_Address_Type parameter is set to 0x01 or 0x03, and the random address for the device has not been initialized using the HCI_LE_Set_Random_Address command, the Controller shall return the error code *Invalid HCI Command Parameters* (0x12).

If the LE_Scan_Enable parameter is set to 0x01 and scanning is already enabled, any change to the Filter_Duplicates setting shall take effect.

Disabling scanning when it is disabled has no effect.

Command parameters:

LE_Scan_Enable:

Size: 1 octet

Value	Parameter Description
0x00	Scanning disabled.
0x01	Scanning enabled.
All other values	Reserved for future use.

**Filter_Duplicates:***Size: 1 octet*

Value	Parameter Description
0x00	Duplicate filtering disabled.
0x01	Duplicate filtering enabled.
All other values	Reserved for future use.

Return parameters:*Status:**Size: 1 octet*

Value	Parameter Description
0x00	HCI_LE_Set_Scan_Enable command succeeded.
0x01 to 0xFF	HCI_LE_Set_Scan_Enable command failed. See [Vol 1] Part F, Controller Error Codes for a list of error codes and descriptions.

Event(s) generated (unless masked away):

When the HCI_LE_Set_Scan_Enable command has completed, an HCI_Command_Complete event shall be generated.

Zero or more HCI_LE_Advertising_Report events are generated by the Controller based on legacy advertising packets received and the duplicate filtering. More than one advertising packet may be reported in each HCI_LE_Advertising_Report event. No report shall be issued for extended advertising PDUs.

When the Scanning_Filter_Policy is set to 0x02 or 0x03 (see [Section 7.8.10](#)) and a directed advertisement was received where the advertiser used a resolvable private address which the Controller is unable to resolve, an HCI_LE_Directed_Advertising_Report event shall be generated instead of an HCI_LE_Advertising_Report event.



7.8.12 LE Create Connection command

Command	OCF	Command Parameters	Return Parameters
HCI_LE_Create_Connection	0x000D	LE_Scan_Interval, LE_Scan_Window, Initiator_Filter_Policy, Peer_Address_Type, Peer_Address, Own_Address_Type, Connection_Interval_Min, Connection_Interval_Max, Max_Latency, Supervision_Timeout, Min_CE_Length, Max_CE_Length	<i>none</i>

Description:

The HCI_LE_Create_Connection command is used to create an ACL connection, with the local device in the Central role, to a connectable advertiser.

If a connection is created with the local device in the Peripheral role while this command is pending, then this command remains pending.

The LE_Scan_Interval and LE_Scan_Window parameters are recommendations from the Host on how long (LE_Scan_Window) and how frequently (LE_Scan_Interval) the Controller should scan. The LE_Scan_Window parameter shall be set to a value smaller or equal to the value set for the LE_Scan_Interval parameter. If both are set to the same value, scanning should run continuously.

The Initiator_Filter_Policy is used to determine whether the Filter Accept List is used. If the Filter Accept List is not used, the Peer_Address_Type and the Peer_Address parameters specify the address type and address of the advertising device to connect to.

Peer_Address_Type parameter indicates the type of address used in the connectable advertisement sent by the peer. The Host shall not set Peer_Address_Type to either 0x02 or 0x03 if both the Host and the Controller support the HCI_LE_Set_Privacy_Mode command. If a Controller that supports the HCI_LE_Set_Privacy_Mode command receives the HCI_LE_Create_Connection command with Peer_Address_Type set to either 0x02 or 0x03, it may use either device privacy mode or network privacy mode for that peer device.



Peer_Address parameter indicates the Peer's Public Device Address, Random (static) Device Address, Non-Resolvable Private Address or Resolvable Private Address depending on the Peer_Address_Type parameter.

Own_Address_Type parameter indicates the type of address being used in the connection request packets.

The Connection_Interval_Min and Connection_Interval_Max parameters define the minimum and maximum allowed connection interval. The Connection_Interval_Min parameter shall not be greater than the Connection_Interval_Max parameter.

The Max_Latency parameter defines the maximum allowed Peripheral latency (see [Vol 6] Part B, Section 4.5.1).

The Supervision_Timeout parameter defines the link supervision timeout for the connection. The Supervision_Timeout in milliseconds shall be larger than $(1 + \text{Max_Latency}) \times \text{Connection_Interval_Max} \times 2$, where Connection_Interval_Max is given in milliseconds. (See [Vol 6] Part B, Section 4.5.2).

The Min_CE_Length and Max_CE_Length parameters provide the Controller with the expected minimum and maximum length of the connection events. The Min_CE_Length parameter shall be less than or equal to the Max_CE_Length parameter. The Controller is not required to use these values.

If the Host issues this command when another HCI_LE_Create_Connection command is pending in the Controller, the Controller shall return the error code *Command Disallowed* (0x0C).

If the Own_Address_Type parameter is set to 0x00 and the device does not have a public address, the Controller should return an error code which should be *Invalid HCI Command Parameters* (0x12).

If the Own_Address_Type parameter is set to 0x01 and the random address for the device has not been initialized using the HCI_LE_Set_Random_Address command, the Controller shall return the error code *Invalid HCI Command Parameters* (0x12).

If the Own_Address_Type parameter is set to 0x02, the Initiator_Filter_Policy parameter is set to 0x00, the Controller's resolving list did not contain a matching entry, and the device does not have a public address, the Controller should return an error code which should be *Invalid HCI Command Parameters* (0x12).

If the Own_Address_Type parameter is set to 0x02, the Initiator_Filter_Policy parameter is set to 0x01, and the device does not have a public address, the Controller should return an error code which should be *Invalid HCI Command Parameters* (0x12).

If the Own_Address_Type parameter is set to 0x03, the Initiator_Filter_Policy parameter is set to 0x00, the Controller's resolving list did not contain a



matching entry, and the random address for the device has not been initialized using the HCI_LE_Set_Random_Address command, the Controller shall return the error code *Invalid HCI Command Parameters (0x12)*.

If the Own_Address_Type parameter is set to 0x03, the Initiator_Filter_Policy parameter is set to 0x01, and the random address for the device has not been initialized using the HCI_LE_Set_Random_Address command, the Controller shall return the error code *Invalid HCI Command Parameters (0x12)*.

Command parameters:

LE_Scan_Interval: *Size: 2 octets*

Value	Parameter Description
N = 0xXXXX	This is defined as the time interval from when the Controller started its last LE scan until it begins the subsequent LE scan. Range: 0x0004 to 0x4000 Time = N × 0.625 ms Time Range: 2.5 ms to 10.24 s

LE_Scan_Window: *Size: 2 octets*

Value	Parameter Description
N = 0xXXXX	Amount of time for the duration of the LE scan. LE_Scan_Window shall be less than or equal to LE_Scan_Interval Range: 0x0004 to 0x4000 Time = N × 0.625 ms Time Range: 2.5 ms to 10.24 s

Initiator_Filter_Policy: *Size: 1 octet*

Value	Parameter Description
0x00	Filter Accept List is not used to determine which advertiser to connect to. Peer_Address_Type and Peer_Address shall be used.
0x01	Filter Accept List is used to determine which advertiser to connect to. Peer_Address_Type and Peer_Address shall be ignored.
All other values	Reserved for future use.

Peer_Address_Type: *Size: 1 octet*

Value	Parameter Description
0x00	Public Device Address
0x01	Random Device Address



Value	Parameter Description
0x02	Public Identity Address (Corresponds to peer's Resolvable Private Address). This value shall only be used by the Host if either the Host or the Controller does not support the HCI_LE_Set_Privacy_Mode command.
0x03	Random (static) Identity Address (Corresponds to peer's Resolvable Private Address). This value shall only be used by a Host if either the Host or the Controller does not support the HCI_LE_Set_Privacy_Mode command.
All other values	Reserved for future use

Peer_Address:

Size: 6 octets

Value	Parameter Description
0XXXXXXXXXXXXX	Public Device Address, Random Device Address, Public Identity Address, or Random (static) Identity Address of the device to be connected

Own_Address_Type:

Size: 1 octet

Value	Parameter Description
0x00	Public Device Address
0x01	Random Device Address
0x02	Controller generates Resolvable Private Address based on the local IRK from the resolving list. If the resolving list contains no matching entry, use the public address.
0x03	Controller generates Resolvable Private Address based on the local IRK from the resolving list. If the resolving list contains no matching entry, use the random address from the most recent successful HCI_LE_Set_Random_Address command.
All other values	Reserved for future use

Connection_Interval_Min:

Size: 2 octets

Value	Parameter Description
N = 0XXXXX	Minimum value for the connection interval. This shall be less than or equal to Connection_Interval_Max. Range: 0x0006 to 0x0C80 Time = N × 1.25 ms Time Range: 7.5 ms to 4 s.



Connection_Interval_Max:

Size: 2 octets

Value	Parameter Description
N = 0xXXXX	Maximum value for the connection interval. This shall be greater than or equal to Connection_Interval_Min. Range: 0x0006 to 0x0C80 Time = N × 1.25 ms Time Range: 7.5 ms to 4 s.

Max_Latency:

Size: 2 octets

Value	Parameter Description
0xXXXX	Maximum Peripheral latency for the connection in number of connection events. Range: 0x0000 to 0x01F3

Supervision_Timeout:

Size: 2 octets

Value	Parameter Description
N = 0xXXXX	Supervision timeout for the LE Link. (See [Vol 6] Part B, Section 4.5.2) Range: 0x000A to 0x0C80 Time = N × 10 ms Time Range: 100 ms to 32 s

Min_CE_Length:

Size: 2 octets

Value	Parameter Description
N = 0xXXXX	The minimum length of connection event recommended for this LE connection. Range: 0x0000 to 0xFFFF Time = N × 0.625 ms.

Max_CE_Length:

Size: 2 octets

Value	Parameter Description
N = 0xXXXX	The maximum length of connection event recommended for this LE connection. Range: 0x0000 to 0xFFFF Time = N × 0.625 ms.

Return parameters:

None.

**Event(s) generated (unless masked away):**

When the Controller receives the HCI_LE_Create_Connection command, the Controller sends the HCI_Command_Status event to the Host. An HCI_LE_Connection_Complete or HCI_LE_Enhanced_Connection_Complete event shall be generated when a connection is created because of this command or the connection creation procedure is cancelled; until one of these events is generated, the command is considered pending. If a connection is created and the Controller supports the LE Channel Selection Algorithm #2 feature, this event shall be immediately followed by an HCI_LE_Channel_Selection_Algorithm event.



7.8.13 LE Create Connection Cancel command

Command	OCF	Command Parameters	Return Parameters
HCI_LE_Create_Connection_Cancel	0x000E	none	Status

Description:

The HCI_LE_Create_Connection_Cancel command is used to cancel the HCI_LE_Create_Connection or HCI_LE_Extended_Create_Connection commands.

If no HCI_LE_Create_Connection or HCI_LE_Extended_Create_Connection command is pending, then the Controller shall return the error code *Command Disallowed* (0x0C).

Command parameters:

None.

Return parameters:

Status:

Size: 1 octet

Value	Parameter Description
0x00	HCI_LE_Create_Connection_Cancel command succeeded.
0x01 to 0xFF	HCI_LE_Create_Connection_Cancel command failed. See [Vol 1] Part F, Controller Error Codes for a list of error codes and descriptions.

Event(s) generated (unless masked away):

When the HCI_LE_Create_Connection_Cancel command has completed, an HCI_Command_Complete event shall be generated.

If the cancellation was successful then, after the HCI_Command_Complete event for the HCI_LE_Create_Connection_Cancel command, either an HCI_LE_Connection_Complete or an HCI_LE_Enhanced_Connection_Complete event shall be generated. In either case, the event shall be sent with the error code *Unknown Connection Identifier* (0x02).



7.8.14 LE Read Filter Accept List Size command

Command	OCF	Command Parameters	Return Parameters
HCI_LE_Read_Filter_Accept_List_Size	0x000F	none	Status, Filter_Accept_List_Size

Description:

The HCI_LE_Read_Filter_Accept_List_Size command is used to read the total number of Filter Accept List entries that can be stored in the Controller.

Note: The number of entries that can be stored is not fixed and the Controller can change it at any time (e.g. because the memory used to store the Filter Accept List can also be used for other purposes).

Command parameters:

None.

Return parameters:

Status:

Size: 1 octet

Value	Parameter Description
0x00	HCI_LE_Read_Filter_Accept_List_Size command succeeded.
0x01 to 0xFF	HCI_LE_Read_Filter_Accept_List_Size command failed. See [Vol 1] Part F, Controller Error Codes for a list of error codes and descriptions.

Filter_Accept_List_Size:

Size: 1 octet

Value	Parameter Description
0x01 to 0xFF	Total number of Filter Accept List entries that can be stored in the Controller.
0x00	Reserved for future use

Event(s) generated (unless masked away):

When the HCI_LE_Read_Filter_Accept_List_Size command has completed, an HCI_Command_Complete event shall be generated.



7.8.15 LE Clear Filter Accept List command

Command	OCF	Command Parameters	Return Parameters
HCI_LE_Clear_Filter_Accept_List	0x0010	none	Status

Description:

The HCI_LE_Clear_Filter_Accept_List command is used to clear the Filter Accept List stored in the Controller.

This command shall not be used when:

- any advertising filter policy uses the Filter Accept List and advertising is enabled,
- the scanning filter policy uses the Filter Accept List and scanning is enabled, or
- the initiator filter policy uses the Filter Accept List and an HCI_LE_Create_Connection or HCI_LE_Extended_Create_Connection command is pending.

Command parameters:

None.

Return parameters:

Status:

Size: 1 octet

Value	Parameter Description
0x00	HCI_LE_Clear_Filter_Accept_List command succeeded.
0x01 to 0xFF	HCI_LE_Clear_Filter_Accept_List command failed. See [Vol 1] Part F, Controller Error Codes for a list of error codes and descriptions.

Event(s) generated (unless masked away):

When the HCI_LE_Clear_Filter_Accept_List command has completed, an HCI_Command_Complete event shall be generated.



7.8.16 LE Add Device To Filter Accept List command

Command	OCF	Command Parameters	Return Parameters
HCI_LE_Add_Device_To_Filter_Accept_List	0x0011	Address_Type, Address	Status

Description:

The HCI_LE_Add_Device_To_Filter_Accept_List command is used to add a single device to the Filter Accept List stored in the Controller.

This command shall not be used when:

- any advertising filter policy uses the Filter Accept List and advertising is enabled,
- the scanning filter policy uses the Filter Accept List and scanning is enabled, or
- the initiator filter policy uses the Filter Accept List and an HCI_LE_Create_Connection or HCI_LE_Extended_Create_Connection command is pending.

When a Controller cannot add a device to the Filter Accept List because there is no space available, it shall return the error code *Memory Capacity Exceeded* (0x07).

If the device is already in the Filter Accept List, the Controller should not add the device to the Filter Accept List again and should return success.

Address shall be ignored when Address_Type is set to 0xFF.

Command parameters:

Address_Type: *Size: 1 octet*

Value	Parameter Description
0x00	Public Device Address
0x01	Random Device Address
0xFF	Devices sending anonymous advertisements
All other values	Reserved for future use.

Address: *Size: 6 octets*

Value	Parameter Description
0XXXXXXXXXXXXX	Public Device Address or Random Device Address of the device to be added to the Filter Accept List.

**Return parameters:***Status:**Size: 1 octet*

Value	Parameter Description
0x00	HCI_LE_Add_Device_To_Filter_Accept_List command succeeded.
0x01 to 0xFF	HCI_LE_Add_Device_To_Filter_Accept_List command failed. See [Vol 1] Part F, Controller Error Codes for a list of error codes and descriptions.

Event(s) generated (unless masked away):

When the HCI_LE_Add_Device_To_Filter_Accept_List command has completed, an HCI_Command_Complete event shall be generated.



7.8.17 LE Remove Device From Filter Accept List command

Command	OCF	Command Parameters	Return Parameters
HCI_LE_Remove_Device_From_Filter_Accept_List	0x0012	Address_Type, Address	Status

Description:

The HCI_LE_Remove_Device_From_Filter_Accept_List command is used to remove a single device from the Filter Accept List stored in the Controller.

This command shall not be used when:

- any advertising filter policy uses the Filter Accept List and advertising is enabled,
- the scanning filter policy uses the Filter Accept List and scanning is enabled, or
- the initiator filter policy uses the Filter Accept List and an HCI_LE_Create_Connection or HCI_LE_Extended_Create_Connection command is pending.

Address shall be ignored when Address_Type is set to 0xFF.

Command parameters:

Address_Type: *Size: 1 octet*

Value	Parameter Description
0x00	Public Device Address
0x01	Random Device Address
0xFF	Devices sending anonymous advertisements
All other values	Reserved for future use.

Address: *Size: 6 octets*

Value	Parameter Description
0XXXXXXXXXXXXX	Public Device Address or Random Device Address of the device to be removed from the Filter Accept List.

**Return parameters:***Status:**Size: 1 octet*

Value	Parameter Description
0x00	HCI_LE_Remove_Device_From_Filter_Accept_List command succeeded.
0x01 to 0xFF	HCI_LE_Remove_Device_From_Filter_Accept_List command failed. See [Vol 1] Part F, Controller Error Codes for a list of error codes and descriptions.

Event(s) generated (unless masked away):

When the HCI_LE_Remove_Device_From_Filter_Accept_List command has completed, an HCI_Command_Complete event shall be generated.



7.8.18 LE Connection Update command

Command	OCF	Command Parameters	Return Parameters
HCI_LE_ - Connection_Update	0x0013	Connection_Handle, Connection_Interval_Min, Connection_Interval_Max, Max_Latency, Supervision_Timeout, Min_CE_Length, Max_CE_Length	<i>none</i>

Description:

The HCI_LE_Connection_Update command is used to change the ACL connection parameters. This command may be issued on both the Central and Peripheral.

The Connection_Interval_Min and Connection_Interval_Max parameters are used to define the minimum and maximum allowed connection interval. The Connection_Interval_Min parameter shall not be greater than the Connection_Interval_Max parameter.

The Max_Latency parameter shall define the maximum allowed Peripheral latency.

The Supervision_Timeout parameter shall define the link supervision timeout for the LE link. The Supervision_Timeout in milliseconds shall be larger than $(1 + \text{Max_Latency}) \times \text{Subrate_Factor} \times \text{Connection_Interval_Max} \times 2$, where Connection_Interval_Max is given in milliseconds and Subrate_Factor is the current subrate factor of the connection.

The Min_CE_Length and Max_CE_Length are information parameters providing the Controller with a hint about the expected minimum and maximum length of the connection events. The Min_CE_Length shall be less than or equal to the Max_CE_Length.

The actual parameter values selected by the Link Layer may be different from the parameter values provided by the Host through this command.

If this command completes successfully and the connection interval has changed, then the subrating factor shall be set to 1 and the continuation number to 0. In this case, Max_Latency must be interpreted in underlying connection events. Otherwise the subrating factor and continuation number shall be unchanged and Max_Latency must be interpreted in subrated events.



Command parameters:

Connection_Handle: *Size: 2 octets (12 bits meaningful)*

Value	Parameter Description
0xXXXX	Connection_Handle Range 0x0000 to 0x0EFF

Connection_Interval_Min: *Size: 2 octets*

Value	Parameter Description
N = 0xXXXX	Minimum value for the connection interval. This shall be less than or equal to Connection_Interval_Max. Range: 0x0006 to 0x0C80 Time = N × 1.25 ms Time Range: 7.5 ms to 4 s.

Connection_Interval_Max: *Size: 2 octets*

Value	Parameter Description
N = 0xXXXX	Maximum value for the connection interval. This shall be greater than or equal to Connection_Interval_Min. Range: 0x0006 to 0x0C80 Time = N × 1.25 ms Time Range: 7.5 ms to 4 s.

Max_Latency: *Size: 2 octets*

Value	Parameter Description
0xXXXX	Maximum Peripheral latency for the connection in number of sub-rated connection events. Range: 0x0000 to 0x01F3

Supervision_Timeout: *Size: 2 octets*

Value	Parameter Description
N = 0xXXXX	Supervision timeout for the LE Link. Range: 0x000A to 0x0C80 Time = N × 10 ms Time Range: 100 ms to 32 s

*Min_CE_Length:**Size: 2 octets*

Value	Parameter Description
N = 0xXXXX	Information parameter about the minimum length of connection event needed for this LE connection. How this value is used is outside the scope of this specification. Range: 0x0000 to 0xFFFF Time = N × 0.625 ms.

*Max_CE_Length:**Size: 2 octets*

Value	Parameter Description
N = 0xXXXX	Information parameter about the maximum length of connection event needed for this LE connection. How this value is used is outside the scope of this specification. Range: 0x0000 to 0xFFFF Time = N × 0.625 ms.

Return parameters:

None.

Event(s) generated (unless masked away):

When the Controller receives the HCI_LE_Connection_Update command, the Controller sends the HCI_Command_Status event to the Host. The HCI_LE_Connection_Update_Complete event shall be generated after the connection parameters have been applied by the Controller or if the command subsequently fails.



7.8.19 LE Set Host Channel Classification command

Command	OCF	Command Parameters	Return Parameters
HCI_LE_Set_Host_Channel_Classification	0x0014	Channel_Map	Status

Description:

The HCI_LE_Set_Host_Channel_Classification command allows the Host to specify a channel classification for the data, secondary advertising, periodic, and isochronous physical channels based on its “local information”. This classification persists until overwritten with a subsequent HCI_LE_Set_Host_Channel_Classification command or until the Controller is reset using the HCI_Reset command (see [Vol 6] Part B, Section 4.5.8.1).

If this command is used, the Host should send it within 10 seconds of knowing that the channel classification has changed. The interval between two successive commands sent shall be at least one second.

Command parameters:

Channel_Map: *Size: 5 octets (37 bits meaningful)*

Value	Parameter Description
0xFFFFFFFF	This parameter contains 37 1-bit fields. The n th such field (in the range 0 to 36) contains the value for the Link Layer channel index n. Channel n is bad = 0. Channel n is unknown = 1. The most significant bits are reserved for future use. At least one channel shall be marked as unknown.

Return parameters:

Status: *Size: 1 octet*

Value	Parameter Description
0x00	HCI_LE_Set_Host_Channel_Classification command succeeded.
0x01 to 0xFF	HCI_LE_Set_Host_Channel_Classification command failed. See [Vol 1] Part F, Controller Error Codes for a list of error codes and descriptions.

Event(s) generated (unless masked away):

When the HCI_LE_Set_Host_Channel_Classification command has completed, an HCI_Command_Complete event shall be generated.



7.8.20 LE Read Channel Map command

Command	OCF	Command Parameters	Return Parameters
HCI_LE_Read_Channel_Map	0x0015	Connection_Handle	Status, Connection_Handle, Channel_Map

Description:

The HCI_LE_Read_Channel_Map command returns the current Channel_Map for the specified Connection_Handle. The returned value indicates the state of the Channel_Map specified by the last transmitted or received Channel_Map (in a CONNECT_IND or LL_CHANNEL_MAP_IND message) for the specified Connection_Handle, regardless of whether the Central has received an acknowledgment. If the connection handle does not identify an ACL connection, the Controller shall reject the command and should return the error code *Unknown Connection Identifier* (0x02).

Command parameters:

Connection_Handle: *Size: 2 octets (12 bits meaningful)*

Value	Parameter Description
0xXXXX	Connection_Handle Range 0x0000 to 0x0EFF

Return parameters:

Status: *Size: 1 octet*

Value	Parameter Description
0x00	HCI_LE_Read_Channel_Map command succeeded.
0x01 to 0xFF	HCI_LE_Read_Channel_Map command failed. See [Vol 1] Part F, Controller Error Codes for a list of error codes and descriptions.

Connection_Handle: *Size: 2 octets (12 bits meaningful)*

Value	Parameter Description
0xXXXX	Connection_Handle Range 0x0000 to 0x0EFF



Channel_Map:

Size: 5 octets

Value	Parameter Description
0XXXXXXXXXX	This parameter contains 37 1-bit fields. The n^{th} such field (in the range 0 to 36) contains the value for the Link Layer channel index n . Channel n is unused = 0. Channel n is used = 1. The most significant bits are reserved for future use.

Event(s) generated (unless masked away):

When the HCI_LE_Read_Channel_Map command has completed, an HCI_Command_Complete event shall be generated.



7.8.21 LE Read Remote Features command

Command	OCF	Command Parameters	Return Parameters
HCI_LE_Read_Remote_Features	0x0016	Connection_Handle	none

Description:

This command requests, from the remote device identified by the Connection_Handle, the features used on the connection and the features supported by the remote device. For details see [Vol 6] Part B, Section 4.6.

This command may be issued on both the Central and Peripheral.

Note: If a connection already exists between the two devices and the features have already been fetched on that connection, the Controller may use a cached copy of the features.

Command parameters:

Connection_Handle: *Size: 2 octets (12 bits meaningful)*

Value	Parameter Description
0xXXXX	Connection_Handle Range 0x0000 to 0x0EFF

Return parameters:

None.

Event(s) generated (unless masked away):

When the Controller receives the HCI_LE_Read_Remote_Features command, the Controller shall send the HCI_Command_Status event to the Host. When the Controller has completed the procedure to determine the remote features or has determined that it will be using a cached copy, the Controller shall send an HCI_LE_Read_Remote_Features_Complete event to the Host.

The HCI_LE_Read_Remote_Features_Complete event contains the status of this command and the parameter describing the features used on the connection and the features supported by the remote device.



7.8.22 LE Encrypt command

Command	OCF	Command Parameters	Return Parameters
HCI_LE_Encrypt	0x0017	Key, Plaintext_Data	Status, Encrypted_Data

Description:

The HCI_LE_Encrypt command is used to request the Controller to encrypt the Plaintext_Data in the command using the Key given in the command and returns the Encrypted_Data to the Host. The AES-128 bit block cypher is defined in NIST Publication FIPS-197 (<http://csrc.nist.gov/publications/fips/fips197/fips-197.pdf>).

Command parameters:

Key: *Size: 16 octets*

Value	Parameter Description
0xFFFFFFFFXXXXXXXX XXXXXXXXXXXXXXXX XXX	128 bit key for the encryption of the data given in the command. The most significant octet of the key corresponds to key[0] using the notation specified in FIPS 197.

Plaintext_Data: *Size: 16 octets*

Value	Parameter Description
0xFFFFFFFFXXXXXXXX XXXXXXXXXXXXXXXX XXX	128 bit data block that is requested to be encrypted. The most significant octet of the PlainText_Data corresponds to in[0] using the notation specified in FIPS 197.

Return parameters:

Status: *Size: 1 octet*

Value	Parameter Description
0x00	HCI_LE_Encrypt command succeeded.
0x01 to 0xFF	HCI_LE_Encrypt command failed. See [Vol 1] Part F, Controller Error Codes for a list of error codes and descriptions.

Encrypted_Data: *Size: 16 octets*

Value	Parameter Description
0xFFFFFFFFXXXXXXXX XXXXXXXXXXXXXXXX XXX	128 bit encrypted data block. The most significant octet of the Encrypted_Data corresponds to out[0] using the notation specified in FIPS 197.

**Event(s) generated (unless masked away):**

When the HCI_LE_Encrypt command has completed, an HCI_Command_ - Complete event shall be generated.



7.8.23 LE Rand command

Command	OCF	Command Parameters	Return Parameters
HCI_LE_Rand	0x0018	none	Status, Random_Number

Description:

The HCI_LE_Rand command is used to request the Controller to generate 8 octets of random data to be sent to the Host. The Random_Number shall be generated according to [\[Vol 2\] Part H, Section 2](#) if the LE Feature (LE Encryption) is supported.

Command parameters:

None.

Return parameters:

Status:

Size: 1 octet

Value	Parameter Description
0x00	HCI_LE_Rand command succeeded.
0x01 to 0xFF	HCI_LE_Rand command failed. See [Vol 1] Part F, Controller Error Codes for a list of error codes and descriptions.

Random_Number:

Size: 8 octets

Value	Parameter Description
0XXXXXXXXXXXX XXXXX	Random Number

Event(s) generated (unless masked away):

When the HCI_LE_Rand command has completed, an HCI_Command_ - Complete event shall be generated.



7.8.24 LE Enable Encryption command

Command	OCF	Command Parameters	Return Parameters
HCI_LE_Enable_ - Encryption	0x0019	Connection_Handle, Random_Number, Encrypted_Diversifier, Long_Term_Key	none

Description:

The HCI_LE_Enable_Encryption command is used to authenticate the given encryption key associated with the remote device specified by the Connection_Handle, and once authenticated will encrypt the connection. The parameters are as defined in [Vol 3] Part H, Section 2.4.4.

If the connection is already encrypted then the Controller shall pause connection encryption before attempting to authenticate the given encryption key, and then re-encrypt the connection. While encryption is paused no user data shall be transmitted.

If the Connection_Handle parameter identifies an ACL with an associated CIS that has been created, the Controller shall return the error code *Command Disallowed* (0x0C).

On an authentication failure, the connection shall be automatically disconnected by the Link Layer. If this command succeeds, then the connection shall be encrypted.

This command shall only be used when the local device’s role is Central.

Command parameters:

Connection_Handle: *Size: 2 octets (12 bits meaningful)*

Value	Parameter Description
0xXXXX	Connection_Handle Range 0x0000 to 0x0EFF

Random_Number: *Size: 8 octets*

Value	Parameter Description
0XXXXXXXXXXXXXXXXXX	64 bit random number.



Encrypted_Diversifier:

Size: 2 octets

Value	Parameter Description
0xXXXX	16 bit encrypted diversifier.

Long_Term_Key:

Size: 16 octets

Value	Parameter Description
0XXXXXXXXXXXXXXXXX XXXXXXXXXXXXXXXXXX XXX	128 bit long term key.

Return parameters:

None.

Event(s) generated (unless masked away):

When the Controller receives the HCI_LE_Enable_Encryption command it shall send the HCI_Command_Status event to the Host. If the connection is not encrypted when this command is issued, an HCI_Encryption_Change event shall occur when encryption has been started for the connection. If the connection is encrypted when this command is issued, an HCI_Encryption_Key_Refresh_Complete event shall occur when encryption has been resumed.



7.8.25 LE Long Term Key Request Reply command

Command	OCF	Command Parameters	Return Parameters
HCI_LE_Long_Term_Key_Request_Reply	0x001A	Connection_Handle, Long_Term_Key	Status, Connection_Handle

Description:

The HCI_LE_Long_Term_Key_Request_Reply command is used to reply to an HCI_LE_Long_Term_Key_Request event from the Controller, and specifies the Long_Term_Key parameter that shall be used for this Connection_Handle. The Long_Term_Key is used as defined in [Vol 6] Part B, Section 5.1.3.

This command shall only be used when the local device’s role is Peripheral.

Command parameters:

Connection_Handle: *Size: 2 octets (12 bits meaningful)*

Value	Parameter Description
0xFFFF	Connection_Handle Range 0x0000 to 0x0EFF

Long_Term_Key: *Size: 16 octets*

Value	Parameter Description
0XXXXXXXXXXXXXXXXXXXX XXXXXXXXXXXXXXXXXXXX XXX	128 bit long term key for the given connection.

Return parameters:

Status: *Size: 1 octet*

Value	Parameter Description
0x00	HCI_LE_Long_Term_Key_Request_Reply command succeeded.
0x01 to 0xFF	HCI_LE_Long_Term_Key_Request_Reply command failed. See [Vol 1] Part F, Controller Error Codes for a list of error codes and descriptions.

Connection_Handle: *Size: 2 octets (12 bits meaningful)*

Value	Parameter Description
0xFFFF	Connection_Handle Range 0x0000 to 0x0EFF

**Event(s) generated (unless masked away):**

When the HCI_LE_Long_Term_Key_Request_Reply command has completed, an HCI_Command_Complete event shall be generated.



7.8.26 LE Long Term Key Request Negative Reply command

Command	OCF	Command Parameters	Return Parameters
HCI_LE_Long_Term_Key_Request_Negative_Reply	0x001B	Connection_Handle	Status, Connection_Handle

Description:

The HCI_LE_Long_Term_Key_Request_Negative_Reply command is used to reply to an HCI_LE_Long_Term_Key_Request event from the Controller if the Host cannot provide a Long Term Key for this Connection_Handle.

This command shall only be used when the local device’s role is Peripheral.

Command parameters:

Connection_Handle: *Size: 2 octets (12 bits meaningful)*

Value	Parameter Description
0xXXXX	Connection_Handle Range 0x0000 to 0x0EFF

Return parameters:

Status: *Size: 1 octet*

Value	Parameter Description
0x00	HCI_LE_Long_Term_Key_Request_Negative_Reply command succeeded.
0x01 to 0xFF	HCI_LE_Long_Term_Key_Request_Negative_Reply command failed. See [Vol 1] Part F, Controller Error Codes for a list of error codes and descriptions.

Connection_Handle: *Size: 2 octets (12 bits meaningful)*

Value	Parameter Description
0xXXXX	Connection_Handle Range 0x0000 to 0x0EFF

Event(s) generated (unless masked away):

When the HCI_LE_Long_Term_Key_Request_Negative_Reply command has completed, an HCI_Command_Complete event shall be generated.



7.8.27 LE Read Supported States command

Command	OCF	Command Parameters	Return Parameters
HCI_LE_Read_Supported_States	0x001C	<i>none</i>	Status, LE_States

Description:

The HCI_LE_Read_Supported_States command reads the states, roles, and combinations of states and roles that the Link Layer supports. See [\[Vol 6\] Part B, Section 1.1.1](#).

The LE_States parameter is a bit field. If a bit is set to 1 then this state, role, or combination is supported by the Controller; each combination consists of the states indicated by 'X' in the associated row of the table and excludes those states with an empty cell in that row. Multiple bits in LE_States may be set to 1 to indicate support for multiple combinations.

Note: This command only provides information about the supported states and roles that can be used with legacy advertising. It does not provide information about those that can only be used with the extended advertising commands (see [Section 3.1.1](#)).

Command parameters:

None.

Return parameters:

Status:

Size: 1 octet

Value	Parameter Description
0x00	HCI_LE_Read_Supported_States command succeeded.
0x01 to 0xFF	HCI_LE_Read_Supported_States command failed. See [Vol 1] Part F , for a list of error codes and descriptions.



LE_States:

Size: 8 octets

SUPPORTED STATES & ROLES										
Bit	Scannable Undirected Advertising State	Connectable and Scannable Undirected Advertising State	Non-connectable and Non-Scannable Undirected Advertising State	High Duty Cycle Connectable Directed Advertising State	Low Duty Cycle Connectable Directed Advertising State	Active Scanning State	Passive Scanning State	Initiating State	Connection State (Central Role)	Connection State (Peripheral Role)
0			X							
1	X									
2		X								
3				X						
4							X			
5						X				
6								X		
7										X
8			X				X			
9	X						X			
10		X					X			
11				X			X			
12			X			X				
13	X					X				
14		X				X				
15				X		X				
16			X					X		
17	X							X		
18			X						X	
19	X								X	
20			X							X
21	X									X
22							X	X		
23						X		X		
24							X		X	
25						X			X	
26							X			X
27						X				X
28								X	X	
29										X
30							X			
31							X			
32		X						X		
33				X				X		



SUPPORTED STATES & ROLES										
Bit	Scannable Undirected Advertising State	Connectable and Scannable Undirected Advertising State	Non-connectable and Non-Scannable Undirected Advertising State	High Duty Cycle Connectable Directed Advertising State	Low Duty Cycle Connectable Directed Advertising State	Active Scanning State	Passive Scanning State	Initiating State	Connection State (Central Role)	Connection State (Peripheral Role)
34					X			X		
35		X							X	
36				X					X	
37					X				X	
38		X								X
39				X						X
40					X					X
41								X		X

All bits not listed in this table, and the value with all bits set to 0, are reserved for future use.

Event(s) generated (unless masked away):

When the HCI_LE_Read_Supported_States command has completed, an HCI_Command_Complete event will be generated.



7.8.28 LE Receiver Test command

Command	OCF	Command Parameters	Return Parameters
HCI_LE_Receiver_Test [v3]	0x004F	RX_Channel, PHY, Modulation_Index, Expected_CTE_Length, Expected_CTE_Type, Slot_Durations, Switching_Pattern_Length, Antenna_IDs[j]	Status
HCI_LE_Receiver_Test [v2]	0x0033	RX_Channel, PHY, Modulation_Index	Status
HCI_LE_Receiver_Test [v1]	0x001D	RX_Channel	Status

Description:

This command is used to start a test where the DUT receives test reference packets at a fixed interval. The tester generates the test reference packets.

The RX_Channel and PHY parameters specify the RF channel and PHY to be used by the receiver. If the Host sets the PHY parameter to a PHY that the Controller does not support, including a value that is reserved for future use, the Controller shall return the error code *Unsupported Feature or Parameter Value* (0x11).

The Modulation_Index parameter specifies whether or not the Controller should assume the receiver has a stable modulation index.

The Expected_CTE_Length and Expected_CTE_Type parameters specify the expected length and type of the Constant Tone Extensions in received test reference packets. When receiving on a PHY that allows Constant Tone Extensions, if the Constant Tone Extension in a received test reference packet does not match both of these, the DUT shall discard that packet. If Expected_CTE_Length is not zero and PHY specifies a PHY that does not allow Constant Tone Extensions, the Controller shall return the error code *Command Disallowed* (0x0C).

If the Slot_Durations parameter is set to 0x01 and the Controller does not support 1 μ s switching and sampling, the Controller shall return the error code *Unsupported Feature or Parameter Value* (0x11).



Slot_Durations, Switching_Pattern_Length, and Antenna_IDs[i] are only used when expecting an AoA Constant Tone Extension and shall be ignored when expecting an AoD Constant Tone Extension.

If the Controller determines that any of the Antenna_IDs[i] values do not identify an antenna in the device's antenna array, it shall return the error code *Unsupported Feature or Parameter Value* (0x11).

Note: Some Controllers may be unable to determine which values do or do not identify an antenna.

Missing parameters:

When a version of this command is issued that does not include all the parameters, the following values shall be used:

Parameter	Value
PHY	0x01
Modulation_Index	0x00
Expected_CTE_Length	0x00
Expected_CTE_Type	<i>any valid value</i>
Slot_Durations	<i>any valid value</i>
Switching_Pattern_Length	<i>any valid value</i>
Antenna_IDs[i]	<i>any valid value</i>

Command parameters:

RX_Channel: *Size: 1 octet*

Value	Parameter Description
N = 0xXX	N = (F-2402) / 2 Range: 0x00 to 0x27. Frequency Range: 2402 MHz to 2480 MHz

PHY: *Size: 1 octet*

Value	Parameter Description
0x01	Receiver set to use the LE 1M PHY
0x02	Receiver set to use the LE 2M PHY
0x03	Receiver set to use the LE Coded PHY
All other values	Reserved for future use



Modulation_Index:

Size: 1 octet

Value	Parameter Description
0x00	Assume transmitter will have a standard modulation index
0x01	Assume transmitter will have a stable modulation index
All other values	Reserved for future use

Expected_CTE_Length:

Size: 1 octet

Value	Parameter Description
0x00	No Constant Tone Extension expected (default)
0x02 to 0x14	Expected length of the Constant Tone Extension in 8 μ s units
All other values	Reserved for future use

Expected_CTE_Type:

Size: 1 octet

Value	Parameter Description
0x00	Expect AoA Constant Tone Extension
0x01	Expect AoD Constant Tone Extension with 1 μ s slots
0x02	Expect AoD Constant Tone Extension with 2 μ s slots
All other values	Reserved for future use

Slot_Durations:

Size: 1 octet

Value	Parameter Description
0x01	Switching and sampling slots are 1 μ s each
0x02	Switching and sampling slots are 2 μ s each
All other values	Reserved for future use

Switching_Pattern_Length:

Size: 1 octet

Value	Parameter Description
0x02 to 0x4B	The number of Antenna IDs in the pattern
All other values	Reserved for future use

Antenna_IDs[i]:

Size: Switching_Pattern_Length \times 1 octet

Value	Parameter Description
0xXX	Antenna ID in the pattern

**Return parameters:***Status:**Size: 1 octet*

Value	Parameter Description
0x00	HCI_LE_Receiver_Test command succeeded.
0x01 to 0xFF	HCI_LE_Receiver_Test command failed. See [Vol 1] Part F, Controller Error Codes for a list of error codes and descriptions.

Event(s) generated (unless masked away):

When the HCI_LE_Receiver_Test command has completed, an HCI_Command_Complete event shall be generated.

If the Expected_CTE_Length parameter is not set to zero, then HCI_LE_Connectionless_IQ_Report events may be generated by the Controller.



7.8.29 LE Transmitter Test command

Command	OCF	Command Parameters	Return Parameters
HCI_LE_Transmitter_Test [v4]	0x007B	TX_Channel, Test_Data_Length, Packet_Payload, PHY, CTE_Length, CTE_Type, Switching_Pattern_Length, Antenna_IDs[i], TX_Power_Level	Status
HCI_LE_Transmitter_Test [v3]	0x0050	TX_Channel, Test_Data_Length, Packet_Payload, PHY, CTE_Length, CTE_Type, Switching_Pattern_Length, Antenna_IDs[i]	Status
HCI_LE_Transmitter_Test [v2]	0x0034	TX_Channel, Test_Data_Length, Packet_Payload, PHY	Status
HCI_LE_Transmitter_Test [v1]	0x001E	TX_Channel, Test_Data_Length, Packet_Payload	Status

The order of the command parameters in an HCI command packet is:

- TX_Channel
- Test_Data_Length
- Packet_Payload
- PHY
- CTE_Length
- CTE_Type
- Switching_Pattern_Length
- Antenna_IDs[0]
- ...
- Antenna_IDs[n]
- TX_Power_Level

**Description:**

This command is used to start a test where the DUT generates test reference packets at a fixed interval. The Controller shall transmit at the power level indicated by the TX_Power_Level parameter.

The TX_Channel and PHY parameters specify the RF channel and PHY to be used by the transmitter. If the Host sets the PHY parameter to a PHY that the Controller does not support, including a value that is reserved for future use, the Controller shall return the error code *Unsupported Feature or Parameter Value* (0x11).

The Test_Data_Length and Packet_Payload parameters specify the length and contents of the Payload of the test reference packets. An LE Controller supporting the HCI_LE_Transmitter_Test command shall support Packet_Payload values 0x00, 0x01 and 0x02. An LE Controller supporting the LE Coded PHY shall also support Packet_Payload value 0x04. An LE Controller may support other values of Packet_Payload.

The CTE_Length and CTE_Type parameters specify the length and type of the Constant Tone Extension in the test reference packets. If the CTE_Type parameter is set to 0x01 and the Controller does not support 1 μ s switching, the Controller shall return the error code *Unsupported Feature or Parameter Value* (0x11). If CTE_Length is not zero and PHY specifies a PHY that does not allow Constant Tone Extensions, the Controller shall return the error code *Command Disallowed* (0x0C).

The Switching_Pattern_Length and Antenna_IDs[i] parameters specify the antenna switching pattern. They are only used when transmitting an AoD Constant Tone Extension and shall be ignored when transmitting an AoA Constant Tone Extension.

If the Controller determines that any of the Antenna_IDs[i] values do not identify an antenna in the device's antenna array, it shall return the error code *Unsupported Feature or Parameter Value* (0x11).

Note: Some Controllers may be unable to determine which values do or do not identify an antenna.

The TX_Power_Level parameter specifies the transmit power level to be used by the transmitter. If the parameter is set to a value other than 0x7E or 0x7F, then the Controller shall make the requested change or shall make the nearest change that it is capable of doing.



Missing parameters:

When a version of this command is issued that does not include all the parameters, the following values shall be used:

Parameter	Value
PHY	0x01
CTE_Length	0x00
CTE_Type	<i>any valid value</i>
Switching_Pattern_Length	<i>any valid value</i>
Antenna_IDs[i]	<i>any valid value</i>
TX_Power_Level	0x7F

Command parameters:

TX_Channel: *Size: 1 octet*

Value	Parameter Description
N = 0xXX	N = (F-2402) / 2 Range: 0x00 to 0x27 Frequency Range: 2402 MHz to 2480 MHz

Test_Data_Length: *Size: 1 octet*

Value	Parameter Description
0x00 to 0xFF	Length in bytes of payload data in each packet

Packet_Payload: *Size: 1 octet*

Value	Parameter Description
0x00	PRBS9 sequence '1111111100000111101...' (in transmission order) as described in [Vol 6] Part F, Section 4.1.5
0x01	Repeated '11110000' (in transmission order) sequence as described in [Vol 6] Part F, Section 4.1.5
0x02	Repeated '10101010' (in transmission order) sequence as described in [Vol 6] Part F, Section 4.1.5
0x03	PRBS15 sequence as described in [Vol 6] Part F, Section 4.1.5
0x04	Repeated '11111111' (in transmission order) sequence
0x05	Repeated '00000000' (in transmission order) sequence
0x06	Repeated '00001111' (in transmission order) sequence
0x07	Repeated '01010101' (in transmission order) sequence
All other values	Reserved for future use



PHY:

Size: 1 octet

Value	Parameter Description
0x01	Transmitter set to use the LE 1M PHY
0x02	Transmitter set to use the LE 2M PHY
0x03	Transmitter set to use the LE Coded PHY with S=8 data coding
0x04	Transmitter set to use the LE Coded PHY with S=2 data coding
All other values	Reserved for future use

CTE_Length:

Size: 1 octet

Value	Parameter Description
0x00	Do not transmit a Constant Tone Extension
0x02 to 0x14	Length of the Constant Tone Extension in 8 μ s units
All other values	Reserved for future use

CTE_Type:

Size: 1 octet

Value	Parameter Description
0x00	AoA Constant Tone Extension
0x01	AoD Constant Tone Extension with 1 μ s slots
0x02	AoD Constant Tone Extension with 2 μ s slots
All other values	Reserved for future use

Switching_Pattern_Length:

Size: 1 octet

Value	Parameter Description
0x02 to 0x4B	The number of Antenna IDs in the pattern
All other values	Reserved for future use

Antenna_IDs[i]:

Size: Switching_Pattern_Length \times 1 octet

Value	Parameter Description
0xXX	Antenna ID in the pattern

**TX_Power_Level:****Size: 1 octet**

Value	Parameter Description
0xXX	Set transmitter to the specified or the nearest transmit power level. Range: -127 to +20 Units: dBm
0x7E	Set transmitter to minimum transmit power level
0x7F	Set transmitter to maximum transmit power level

Return parameters:**Status:****Size: 1 octet**

Value	Parameter Description
0x00	HCI_LE_-Transmitter_-Test command succeeded.
0x01 to 0xFF	HCI_LE_-Transmitter_-Test command failed. See [Vol 1] Part F, Controller Error Codes for a list of error codes and descriptions.

Event(s) generated (unless masked away):

When the HCI_LE_Transmitter_Test command has completed, an HCI_Command_Complete event shall be generated.



7.8.30 LE Test End command

Command	OCF	Command Parameters	Return Parameters
HCI_LE_Test_End	0x001F	none	Status, Num_Packets

Description:

This command is used to stop any test which is in progress. The Num_Packets for a transmitter test shall be reported as 0x0000. The Num_Packets is an unsigned number and contains the number of received packets.

Command parameters:

None.

Return parameters:

Status:

Size: 1 octet

Value	Parameter Description
0x00	HCI_LE_Test_End command succeeded.
0x01 to 0xFF	HCI_LE_Test_End command failed See [Vol 1] Part F, Controller Error Codes for a list of error codes and descriptions.

Num_Packets:

Size: 2 octets

Value	Parameter Description
0xXXXX	Number of packets received

Event(s) generated (unless masked away):

When the HCI_LE_Test_End command has completed, an HCI_Command_-Complete event shall be generated.



7.8.31 LE Remote Connection Parameter Request Reply command

Command	OCF	Command Parameters	Return Parameters
HCI_LE_Remote_Connection_Parameter_Request_Reply	0x0020	Connection_Handle, Interval_Min, Interval_Max, Max_Latency, Timeout, Min_CE_Length, Max_CE_Length	Status, Connection_Handle

Description:

Both the Central’s Host and the Peripheral’s Host use this command to reply to the HCI_LE_Remote_Connection_Parameter_Request event. This indicates that the Host has accepted the remote device’s request to change connection parameters.

The Interval_Min and Interval_Max parameters define the minimum and maximum allowed connection interval. The Interval_Min parameter shall not be greater than the Interval_Max parameter.

The Max_Latency parameter shall define the maximum allowed Peripheral latency for the connection.

The Timeout parameter shall define the link supervision timeout for the LE link. The Timeout in milliseconds shall be larger than $(1 + \text{Max_Latency}) \times \text{Subrate_Factor} \times \text{Interval_Max} \times 2$, where Interval_Max is given in milliseconds and Subrate_Factor is the current subrate factor of the connection.

The Min_CE_Length and Max_CE_Length are information parameters providing the Controller with a hint about the expected minimum and maximum length of the connection events. The Min_CE_Length shall be less than or equal to the Max_CE_Length.

The actual parameter values selected by the Link Layer may be different from the parameter values provided by the Host through this command.

If this command completes successfully and the connection interval has changed, then the subrating factor shall be set to 1 and the continuation number to 0. In this case, Max_Latency must be interpreted in underlying connection events. Otherwise the subrating factor and continuation number shall be unchanged and Max_Latency must be interpreted in subrated events.



Command parameters:

Connection_Handle: *Size: 2 octets (12 bits meaningful)*

Value	Parameter Description
0xXXXX	Connection_Handle Range 0x0000 to 0x0EFF

Interval_Min: *Size: 2 octets*

Value	Parameter Description
N = 0xXXXX	Minimum value of the connection interval. Range: 0x0006 to 0x0C80 Time = N × 1.25 ms Time Range: 7.5 ms to 4 s

Interval_Max: *Size: 2 octets*

Value	Parameter Description
N = 0xXXXX	Maximum value of the connection interval. Range: 0x0006 to 0x0C80 Time = N × 1.25 ms Time Range: 7.5 ms to 4 s

Max_Latency: *Size: 2 octets*

Value	Parameter Description
0xXXXX	Maximum allowed Peripheral latency for the connection specified as the number of subrated connection events. Range: 0x0000 to 0x01F3 (499)

Timeout: *Size: 2 octets*

Value	Parameter Description
N = 0xXXXX	Supervision timeout for the connection. Range: 0x000A to 0x0C80 Time = N × 10 ms Time Range: 100 ms to 32 s



Min_CE_Length:

Size: 2 octets

Value	Parameter Description
N = 0xXXXX	Information parameter about the minimum length of connection event needed for this LE connection. Range: 0x0000 to 0xFFFF Time = N × 0.625 ms Time Range: 0 ms to 40.9 s

Max_CE_Length:

Size: 2 octets

Value	Parameter Description
N = 0xXXXX	Information parameter about the maximum length of connection event needed for this LE connection. Range: 0x0000 to 0xFFFF Time = N × 0.625 ms Time Range: 0 ms to 40.9 s

Return parameters:

Status:

Size: 1 octet

Value	Parameter Description
0x00	HCI_LE_Remote_Connection_Parameter_Request_Reply command succeeded.
0x01 to 0xFF	HCI_LE_Remote_Connection_Parameter_Request_Reply command failed. See [Vol 1] Part F, Controller Error Codes for a list of error codes and descriptions.

Connection_Handle:

Size: 2 octets (12 bits meaningful)

Value	Parameter Description
0xXXXX	Connection_Handle Range 0x0000 to 0x0EFF

Event(s) generated (unless masked away):

When the HCI_LE_Remote_Connection_Parameter_Request_Reply command has completed, an HCI_Command_Complete event shall be generated.



7.8.32 LE Remote Connection Parameter Request Negative Reply command

Command	OCF	Command Parameters	Return Parameters
HCI_LE_Remote_Connection_Parameter_Request_Negative_Reply	0x0021	Connection_Handle, Reason	Status, Connection_Handle

Description:

Both the Central’s Host and the Peripheral’s Host use this command to reply to the HCI_LE_Remote_Connection_Parameter_Request event. This indicates that the Host has rejected the remote device’s request to change connection parameters. The reason for the rejection is given in the Reason parameter.

Instead of issuing this command, the Host should try to provide alternative connection parameters to the Link Layer via the HCI_LE_Remote_Connection_Parameter_Request_Reply command ([Section 7.8.31](#)).

Command parameters:

Connection_Handle: *Size: 2 octets (12 bits meaningful)*

Value	Parameter Description
0xXXXX	Connection_Handle Range 0x0000 to 0x0EFF

Reason: *Size: 1 octet*

Value	Parameter Description
0x3B	Reason that the connection parameter request was rejected: <i>Unacceptable Connection Parameters</i> .

Return parameters:

Status: *Size: 1 octet*

Value	Parameter Description
0x00	HCI_LE_Remote_Connection_Parameter_Request_Negative_Reply command succeeded.
0x01 to 0xFF	HCI_LE_Remote_Connection_Parameter_Request_Negative_Reply command failed. See [Vol 1] Part F, Controller Error Codes for a list of error codes and descriptions.

**Connection_Handle:****Size: 2 octets (12 bits meaningful)**

Value	Parameter Description
0xXXXX	Connection_Handle Range 0x0000 to 0x0EFF

Event(s) generated (unless masked away):

When the HCI_LE_Remote_Connection_Parameter_Request_Negative_Reply command has completed, an HCI_Command_Complete event shall be generated.



7.8.33 LE Set Data Length command

Command	OCF	Command Parameters	Return Parameters
HCI_LE_Set_Data_Length	0x0022	Connection_Handle, TX_Octets, TX_Time	Status, Connection_Handle

Description:

The HCI_LE_Set_Data_Length command allows the Host to suggest the maximum transmission payload size and maximum packet transmission time (*connMaxTxOctets* and *connMaxTxTime* - see [Vol 6] Part B, Section 4.5.10) to be used for LL Data PDUs on a given connection. The Controller may use smaller or larger values based on local information.

Command parameters:

Connection_Handle: Size: 2 octets (12 bits meaningful)

Value	Parameter Description
0xXXXX	Connection_Handle Range 0x0000 to 0x0EFF

TX_Octets: Size: 2 octets

Value	Parameter Description
0xXXXX	Preferred maximum number of payload octets that the local Controller should include in a single LL Data PDU on this connection. Range 0x001B to 0x00FB

TX_Time: Size: 2 octets

Value	Parameter Description
0xXXXX	Preferred maximum number of microseconds that the local Controller should use to transmit a single Link Layer packet containing an LL Data PDU on this connection. Range 0x0148 to 0x4290

Return parameters:

Status: Size: 1 octet

Value	Parameter Description
0x00	HCI_LE_Set_Data_Length command succeeded.
0x01 to 0xFF	HCI_LE_Set_Data_Length command failed. See [Vol 1] Part F, Controller Error Codes for a list of error codes and descriptions.

**Connection_Handle:****Size: 2 octets (12 bits meaningful)**

Value	Parameter Description
0xXXXX	Connection_Handle Range 0x0000 to 0x0EFF

Event(s) generated (unless masked away):

When the HCI_LE_Set_Data_Length command has completed, an HCI_Command_Complete event shall be generated.

If the command causes the maximum transmission packet size or maximum packet transmission time to change, an HCI_LE_Data_Length_Change event shall be generated.



7.8.34 LE Read Suggested Default Data Length command

Command	OCF	Command Parameters	Return Parameters
HCI_LE_Read_Suggested_Default_Data_Length	0x0023	none	Status, Suggested_Max_TX_Octets, Suggested_Max_TX_Time

Description:

The HCI_LE_Read_Suggested_Default_Data_Length command allows the Host to read the Host's suggested values (Suggested_Max_TX_Octets and Suggested_Max_TX_Time) for the Controller's maximum transmitted number of payload octets and maximum packet transmission time for packets containing LL Data PDUs to be used for new connections (see [Vol 6] Part B, Section 4.5.10).

Command parameters:

None.

Return parameters:

Status:

Size: 1 octet

Value	Parameter Description
0x00	HCI_LE_Read_Suggested_Default_Data_Length command succeeded
0x01 to 0xFF	HCI_LE_Read_Suggested_Default_Data_Length command failed. See [Vol 1] Part F, Controller Error Codes for a list of error codes and descriptions.

Suggested_Max_TX_Octets:

Size: 2 octets

Value	Parameter Description
0xXXXX	The Host's suggested value for the Controller's maximum transmitted number of payload octets in LL Data PDUs to be used for new connections. Range 0x001B to 0x00FB Default: 0x001B

**Suggested_Max_TX_Time:****Size: 2 octets**

Value	Parameter Description
0xXXXX	The Host's suggested value for the Controller's maximum packet transmission time for packets containing LL Data PDUs to be used for new connections. Range 0x0148 to 0x4290 Default: 0x0148

Event(s) generated (unless masked away):

When the HCI_LE_Read_Suggested_Default_Data_Length command has completed, an HCI_Command_Complete event shall be generated.



7.8.35 LE Write Suggested Default Data Length command

Command	OCF	Command Parameters	Return Parameters
HCI_LE_Write_Suggested_Default_Data_Length	0x0024	Suggested_Max_TX_Octets, Suggested_Max_TX_Time	Status

Description:

The HCI_LE_Write_Suggested_Default_Data_Length command allows the Host to specify its suggested values for the Controller's maximum transmission number of payload octets and maximum packet transmission time for packets containing LL Data PDUs to be used for new connections. The Controller may use smaller or larger values for *connInitialMaxTxOctets* and *connInitialMaxTxTime* based on local information. (See [Vol 6] Part B, Section 4.5.10).

Command parameters:

Suggested_Max_TX_Octets: *Size: 2 octets*

Value	Parameter Description
0xXXXX	The Host's suggested value for the Controller's maximum transmitted number of payload octets in LL Data PDUs to be used for new connections. Range 0x001B to 0x00FB

Suggested_Max_TX_Time: *Size: 2 octets*

Value	Parameter Description
0xXXXX	The Host's suggested value for the Controller's maximum packet transmission time for packets containing LL Data PDUs to be used for new connections. Range 0x0148 to 0x4290

Return parameters:

Status: *Size: 1 octet*

Value	Parameter Description
0x00	HCI_LE_Write_Suggested_Default_Data_Length command succeeded.
0x01 to 0xFF	HCI_LE_Write_Suggested_Default_Data_Length command failed. See [Vol 1] Part F, Controller Error Codes for a list of error codes and descriptions.

**Event(s) generated (unless masked away):**

When the HCI_LE_Write_Suggested_Default_Data_Length command has completed, an HCI_Command_Complete event shall be generated.



7.8.36 LE Read Local P-256 Public Key command

Command	OCF	Command Parameters	Return Parameters
HCI_LE_Read_Local_P-256_Public_Key	0x0025	<i>none</i>	<i>none</i>

Description:

The HCI_LE_Read_Local_P-256_Public_Key command is used to return the local P-256 public key from the Controller. The Controller shall generate a new P-256 public/private key pair upon receipt of this command.

The keys returned via this command shall not be used when Secure Connections is used over the BR/EDR transport.

Command parameters:

None.

Return parameters:

None.

Event(s) generated (unless masked away):

When the Controller receives the HCI_LE_Read_Local_P-256_Public_Key command, the Controller shall send the HCI_Command_Status event to the Host. When the local P-256 public key generation finishes, an HCI_LE_Read_Local_P-256_Public_Key_Complete event shall be generated.



7.8.37 LE Generate DHKey command

Command	OCF	Command Parameters	Return Parameters
HCI_LE_Generate_-DHKey [v2]	0x005E	Key_X_Coordinate, Key_Y_Coordinate, Key_Type	none
HCI_LE_Generate_-DHKey [v1]	0x0026	Key_X_Coordinate, Key_Y_Coordinate	none

Description:

The HCI_LE_Generate_DHKey command is used to initiate generation of a Diffie-Hellman key in the Controller for use over the LE transport. This command takes the remote P-256 public key specified in the Key_X_Coordinate and Key_Y_Coordinate parameters as input. The Diffie-Hellman key generation uses the private key generated by the HCI_LE_Read_Local_P-256_Public_Key command or the private debug key (see [Vol 3] Part H, Section 2.3.5.6.1).

The Diffie-Hellman key returned via this command shall not be generated using any keys used for Secure Connections over the BR/EDR transport.

If the remote P-256 public key is invalid (see [Vol 3] Part H, Section 2.3.5.6.1), the Controller shall return an error and should use the error code *Invalid HCI Command Parameters* (0x12).

Missing parameters:

When a version of this command is issued that does not include all the parameters, the following values shall be used:

Parameter	Value
Key_Type	0x00

Command parameters:

Key_X_Coordinate:

Size: 32 octets

Value	Parameter Description
0XXXXXXXXXXXXXXXXXXXX XXXXXXXXXXXXXXXXXXXX XXXXXXXXXXXXXXXXXXXX XXXXXXXXXXXXXXXXXXXX	The remote P-256 public key X coordinate



Key_Y_Coordinate:

Size: 32 octets

Value	Parameter Description
0xFFFFFFFFFFFFFFFF XXXXXXXXXXXXXXXX XXXXXXXXXXXXXXXX XXXXXXXXXXXXXXXX	The remote P-256 public key Y coordinate

Key_Type:

Size: 1 octet

Value	Parameter Description
0x00	Use the generated private key
0x01	Use the debug private key
All other values	Reserved for future use

Return parameters:

None.

Event(s) generated (unless masked away):

When the Controller receives the HCI_LE_Generate_DHKey command, the Controller shall send the HCI_Command_Status event to the Host. When the DHKey generation finishes, an HCI_LE_Generate_DHKey_Complete event shall be generated.



7.8.38 LE Add Device To Resolving List command

Command	OCF	Command Parameters	Return Parameters
HCI_LE_Add_Device_To_ - Resolving_List	0x0027	Peer_Identity_Address_Type, Peer_Identity_Address, Peer_IRK, Local_IRK	Status

Description:

The HCI_LE_Add_Device_To_Resolving_List command is used to add one device to the resolving list used to generate and resolve Resolvable Private Addresses in the Controller.

This command shall not be used when address resolution is enabled in the Controller and:

- Advertising (other than periodic advertising) is enabled,
- Scanning is enabled, or
- an HCI_LE_Create_Connection, HCI_LE_Extended_Create_Connection, or HCI_LE_Periodic_Advertising_Create_Sync command is pending.

This command may be used at any time when address resolution is disabled in the Controller.

The added device shall be set to Network Privacy mode.

If Peer_Identity_Address_Type is 0x01 and Peer_Identity_Address is not a static address, then the Controller should return the error code *Invalid HCI Command Parameters* (0x12).

When a Controller cannot add a device to the list because there is no space available, it shall return the error code *Memory Capacity Exceeded* (0x07).

If an entry already exists in the resolving list with the same four parameter values, the Controller shall either reject the command or not add the device to the resolving list again and return success. If the command is rejected then the error code *Invalid HCI Command Parameters* (0x12) should be used.

If there is an existing entry in the resolving list with the same Peer_Identity_Address and Peer_Identity_Address_Type, or with the same non-zero Peer_IRK, the Controller should return the error code *Invalid HCI Command Parameters* (0x12).



Command parameters:

Peer_Identity_Address_Type: *Size: 1 octet*

Value	Parameter Description
0x00	Public Identity Address
0x01	Random (static) Identity Address
All other values	Reserved for future use

Peer_Identity_Address: *Size: 6 octets*

Value	Parameter Description
0XXXXXXXXXXXXXX	Public or Random (static) Identity Address of the peer device

Peer_IRK: *Size: 16 octets*

Value	Parameter Description
0XXXXXXXXXXXXXXXXXXXX XXXXXXXXXXXXXXXXXXXX	IRK of the peer device

Local_IRK: *Size: 16 octets*

Value	Parameter Description
0XXXXXXXXXXXXXXXXXXXX XXXXXXXXXXXXXXXXXXXX	IRK of the local device

Return parameters:

Status: *Size: 1 octet*

Value	Parameter Description
0x00	HCI_LE_Add_Device_To_Resolving_List command succeeded
0x01 to 0xFF	HCI_LE_Add_Device_To_Resolving_List command failed. See [Vol 1] Part F, Controller Error Codes for a list of error codes and descriptions.

Event(s) generated (unless masked away):

When the HCI_LE_Add_Device_To_Resolving_List command has completed, an HCI_Command_Complete event shall be generated.



7.8.39 LE Remove Device From Resolving List command

Command	OCF	Command Parameters	Return Parameters
HCI_LE_Remove_Device_From_Resolving_List	0x0028	Peer_Identity_Address_Type, Peer_Identity_Address	Status

Description:

The HCI_LE_Remove_Device_From_Resolving_List command is used to remove one device from the resolving list used to resolve Resolvable Private Addresses in the Controller.

This command shall not be used when address resolution is enabled in the Controller and:

- Advertising (other than periodic advertising) is enabled,
- Scanning is enabled, or
- an HCI_LE_Create_Connection, HCI_LE_Extended_Create_Connection, or HCI_LE_Periodic_Advertising_Create_Sync command is pending.

This command may be used at any time when address resolution is disabled in the Controller.

When a Controller cannot remove a device from the resolving list because it is not found, it shall return the error code *Unknown Connection Identifier* (0x02).

Command parameters:

Peer_Identity_Address_Type: *Size: 1 octet*

Value	Parameter Description
0x00	Public Identity Address
0x01	Random (static) Identity Address
All other values	Reserved for future use

Peer_Identity_Address: *Size: 6 octets*

Value	Parameter Description
0XXXXXXXXXXXXX	Public or Random (static) Identity Address of the peer device

**Return parameters:***Status:**Size: 1 octet*

Value	Parameter Description
0x00	HCI_LE_Remove_Device_From_Resolving_List command succeeded
0x01 to 0xFF	HCI_LE_Remove_Device_From_Resolving_List command failed. See [Vol 1] Part F, Controller Error Codes for a list of error codes and descriptions.

Event(s) generated (unless masked away):

When the HCI_LE_Remove_Device_From_Resolving_List command has completed, an HCI_Command_Complete event shall be generated.



7.8.40 LE Clear Resolving List command

Command	OCF	Command Parameters	Return Parameters
HCI_LE_Clear_Resolving_List	0x0029	none	Status

Description:

The HCI_LE_Clear_Resolving_List command is used to remove all devices from the resolving list used to resolve Resolvable Private Addresses in the Controller.

This command shall not be used when address resolution is enabled in the Controller and:

- Advertising (other than periodic advertising) is enabled,
- Scanning is enabled, or
- an HCI_LE_Create_Connection, HCI_LE_Extended_Create_Connection, or HCI_LE_Periodic_Advertising_Create_Sync command is pending.

This command may be used at any time when address resolution is disabled in the Controller.

Command parameters:

None

Return parameters:

Status:

Size: 1 octet

Value	Parameter Description
0x00	HCI_LE_Clear_Resolving_List command succeeded
0x01 to 0xFF	HCI_LE_Clear_Resolving_List command failed. See [Vol 1] Part F, Controller Error Codes for a list of error codes and descriptions.

Event(s) generated (unless masked away):

When the HCI_LE_Clear_Resolving_List command has completed, an HCI_Command_Complete event shall be generated.



7.8.41 LE Read Resolving List Size command

Command	OCF	Command Parameters	Return Parameters
HCI_LE_Read_Resolving_List_Size	0x002A	none	Status, Resolving_List_Size

Description:

The HCI_LE_Read_Resolving_List_Size command is used to read the total number of entries in the resolving list that can be stored in the Controller.

Note: The number of entries that can be stored is not fixed and the Controller can change it at any time (e.g. because the memory used to store the list can also be used for other purposes).

Command parameters:

None

Return parameters:

Status:

Size: 1 octet

Value	Parameter Description
0x00	HCI_LE_Read_Resolving_List_Size command succeeded
0x01 to 0xFF	HCI_LE_Read_Resolving_List_Size command failed. See [Vol 1] Part F, Controller Error Codes for a list of error codes and descriptions.

Resolving_List_Size:

Size: 1 octet

Value	Parameter Description
0xXX	Number of entries in the resolving list

Event(s) generated (unless masked away):

When the HCI_LE_Read_Resolving_List_Size command has completed, an HCI_Command_Complete event shall be generated.



7.8.42 LE Read Peer Resolvable Address command

Command	OCF	Command Parameters	Return Parameters
HCI_LE_Read_Peer_Resolvable_Address	0x002B	Peer_Identity_Address_Type, Peer_Identity_Address	Status, Peer_Resolvable_Address

Description:

The HCI_LE_Read_Peer_Resolvable_Address command is used to get the current peer Resolvable Private Address being used for the corresponding peer Public and Random (static) Identity Address. The peer’s resolvable address being used may change after the command is called.

This command may be used at any time.

When a Controller cannot find a Resolvable Private Address associated with the Peer Identity Address, or if the Peer Identity Address cannot be found in the resolving list, it shall return the error code *Unknown Connection Identifier* (0x02).

Command parameters:

Peer_Identity_Address_Type: *Size: 1 octet*

Value	Parameter Description
0x00	Public Identity Address
0x01	Random (static) Identity Address
All other values	Reserved for future use

Peer_Identity_Address: *Size: 6 octets*

Value	Parameter Description
0XXXXXXXXXXXXX	Public or Random (static) Identity Address of the peer device

Return parameters:

Status: *Size: 1 octet*

Value	Parameter Description
0x00	HCI_LE_Read_Peer_Resolvable_Address command succeeded
0x01 to 0xFF	HCI_LE_Read_Peer_Resolvable_Address command failed. See [Vol 1] Part F, Controller Error Codes for a list of error codes and descriptions.



Peer_Resolvable_Address:

Size: 6 octets

Value	Parameter Description
0XXXXXXXXXXXXX	Resolvable Private Address being used by the peer device

Event(s) generated (unless masked away):

When the HCI_LE_Read_Peer_Resolvable_Address command has completed, an HCI_Command_Complete event shall be generated.



7.8.43 LE Read Local Resolvable Address command

Command	OCF	Command Parameters	Return Parameters
HCI_LE_Read_Local_Resolveable_Address	0x002C	Peer_Identity_Address_Type, Peer_Identity_Address	Status, Local_Resolveable_Address

Description:

The HCI_LE_Read_Local_Resolveable_Address command is used to get the current local Resolvable Private Address being used for the corresponding peer Identity Address. The local resolvable address being used may change after the command is called.

This command may be used at any time.

When a Controller cannot find a Resolvable Private Address associated with the Peer Identity Address, or if the Peer Identity Address cannot be found in the resolving list, it shall return the error code *Unknown Connection Identifier* (0x02).

Command parameters:

Peer_Identity_Address_Type:

Size: 1 octet

Value	Parameter Description
0x00	Public Identity Address
0x01	Random (static) Identity Address
All other values	Reserved for future use

Peer_Identity_Address:

Size: 6 octets

Value	Parameter Description
0XXXXXXXXXXXXX	Public Identity Address or Random (static) Identity Address of the peer device, 48 bit value.



Return parameters:

Status:

Size: 1 octet

Value	Parameter Description
0x00	HCI_LE_Read_Local_Resolvable_Address command succeeded
0x01 to 0xFF	HCI_LE_Read_Local_Resolvable_Address command failed. See [Vol 1] Part F, Controller Error Codes for a list of error codes and descriptions.

Local_Resolvable_Address:

Size: 6 octets

Value	Parameter Description
0XXXXXXXXXXXXX	Resolvable Private Address being used by the local device

Event(s) generated (unless masked away):

When the HCI_LE_Read_Local_Resolvable_Address command has completed, an HCI_Command_Complete event shall be generated.



7.8.44 LE Set Address Resolution Enable command

Command	OCF	Command Parameters	Return Parameters
HCI_LE_Set_Address_Resolution_Enabled	0x002D	Address_Resolution_Enabled	Status

Description:

The HCI_LE_Set_Address_Resolution_Enabled command is used to enable resolution of Resolvable Private Addresses in the Controller. This causes the Controller to use the resolving list whenever the Controller receives a local or peer Resolvable Private Address.

This command shall not be used when:

- Advertising (other than periodic advertising) is enabled,
- Scanning is enabled, or
- an HCI_LE_Create_Connection, HCI_LE_Extended_Create_Connection, or HCI_LE_Periodic_Advertising_Create_Sync command is pending.

Enabling address resolution when it is already enabled, or disabling it when it is already disabled, has no effect.

The requirements in [Vol 6] Part B, Section 6 related to the generation of Resolvable Private Addresses and the privacy of the device are independent of this command.

Command parameters:

Address_Resolution_Enabled: *Size: 1 octet*

Value	Parameter Description
0x00	Address Resolution in Controller disabled (default)
0x01	Address Resolution in Controller enabled
All other values	Reserved for future use

Return parameters:

Status: *Size: 1 octet*

Value	Parameter Description
0x00	HCI_LE_Set_Address_Resolution_Enabled command succeeded
0x01 to 0xFF	HCI_LE_Set_Address_Resolution_Enabled command failed. See [Vol 1] Part F, Controller Error Codes for a list of error codes and descriptions.

**Event(s) generated (unless masked away):**

When the HCI_LE_Set_Address_Resolution_Enable command has completed, an HCI_Command_Complete event shall be generated.



7.8.45 LE Set Resolvable Private Address Timeout command

Command	OCF	Command Parameters	Return Parameters
HCI_LE_Set_Resolvable_Private_Address_Timeout	0x002E	RPA_Timeout	Status

Description:

The HCI_LE_Set_Resolvable_Private_Address_Timeout command set the length of time the Controller uses a Resolvable Private Address before a new resolvable private address is generated and starts being used.

This timeout applies to all resolvable private addresses generated by the Controller.

Command parameters:

RPA_Timeout: *Size: 2 octets*

Value	Parameter Description
0xXXXX	RPA_Timeout measured in seconds Range: 0x0001 to 0x0E10 Time range: 1 s to 1 hour Default: 0x0384 (900 s or 15 minutes)

Return parameters:

Status: *Size: 1 octet*

Value	Parameter Description
0x00	HCI_LE_Set_Resolvable_Private_Address_Timeout command succeeded
0x01 to 0xFF	HCI_LE_Set_Resolvable_Private_Address_Timeout command failed. See [Vol 1] Part F, Controller Error Codes for a list of error codes and descriptions.

Event(s) generated (unless masked away):

When the HCI_LE_Set_Resolvable_Private_Address_Timeout command has completed, an HCI_Command_Complete event shall be generated.



7.8.46 LE Read Maximum Data Length command

Command	OCF	Command Parameters	Return Parameters
HCI_LE_Read_Maximum_Data_Length	0x002F	none	Status, Supported_Max_TX_Octets, Supported_Max_TX_Time, Supported_Max_RX_Octets, Supported_Max_RX_Time

Description:

The HCI_LE_Read_Maximum_Data_Length command allows the Host to read the Controller’s maximum supported payload octets and packet duration times for transmission and reception (Supported_Max_TX_Octets, Supported_Max_TX_Time, Supported_Max_RX_Octets, and Supported_Max_RX_Time, see [Vol 6] Part B, Section 4.5.10).

Command parameters:

None.

Return parameters:

Status:

Size: 1 octet

Value	Parameter Description
0x00	HCI_LE_Read_Maximum_Data_Length command succeeded.
0x01 to 0xFF	HCI_LE_Read_Maximum_Data_Length command failed. See [Vol 1] Part F, Controller Error Codes for a list of error codes and descriptions.

Supported_Max_TX_Octets:

Size: 2 octets

Value	Parameter Description
0xXXXX	Maximum number of payload octets that the local Controller supports for transmission of a single Link Layer packet on an ACL connection. Range 0x001B to 0x00FB

Supported_Max_TX_Time:

Size: 2 octets

Value	Parameter Description
0xXXXX	Maximum time, in microseconds, that the local Controller supports for transmission of a single Link Layer packet on an ACL connection. Range 0x0148 to 0x4290

**Supported_Max_RX_Octets:****Size: 2 octets**

Value	Parameter Description
0xXXXX	Maximum number of payload octets that the local Controller supports for reception of a single Link Layer packet on an ACL connection. Range 0x001B to 0x00FB

Supported_Max_RX_Time:**Size: 2 octets**

Value	Parameter Description
0xXXXX	Maximum time, in microseconds, that the local Controller supports for reception of a single Link Layer packet on an ACL connection. Range 0x0148 to 0x4290

Event(s) generated (unless masked away):

When the HCI_LE_Read_Maximum_Data_Length command has completed, an HCI_Command_Complete event shall be generated.



7.8.47 LE Read PHY command

Command	OCF	Command Parameters	Return Parameters
HCI_LE_Read_PHY	0x0030	Connection_Handle	Status, Connection_Handle, TX_PHY, RX_PHY

Description:

The HCI_LE_Read_PHY command is used to read the current transmitter PHY and receiver PHY on the connection identified by the Connection_Handle.

Command parameters:

Connection_Handle: *Size: 2 octets (12 bits meaningful)*

Value	Parameter Description
0xXXXX	Connection_Handle Range:0x0000 to 0x0EFF

Return parameters:

Status: *Size: 1 octet*

Value	Parameter Description
0x00	HCI_LE_Read_PHY command succeeded.
0x01 to 0xFF	HCI_LE_Read_PHY command failed. See [Vol 1] Part F for a list of error codes and descriptions.

Connection_Handle: *Size: 2 octets (12 bits meaningful)*

Value	Parameter Description
0xXXXX	Connection_Handle Range:0x0000 to 0x0EFF

TX_PHY: *Size: 1 octet*

Value	Parameter Description
0x01	The transmitter PHY for the connection is LE 1M
0x02	The transmitter PHY for the connection is LE 2M
0x03	The transmitter PHY for the connection is LE Coded
All other values	Reserved for future use

**RX_PHY:***Size: 1 octet*

Value	Parameter Description
0x01	The receiver PHY for the connection is LE 1M
0x02	The receiver PHY for the connection is LE 2M
0x03	The receiver PHY for the connection is LE Coded
All other values	Reserved for future use

Event(s) generated (unless masked away):

When the HCI_LE_Read_PHY command has completed, an HCI_Command_-Complete event shall be generated.



7.8.48 LE Set Default PHY command

Command	OCF	Command Parameters	Return Parameters
HCI_LE_Set_Default_PHY	0x0031	All_PHYs, TX_PHYs, RX_PHYs	Status

Description:

The HCI_LE_Set_Default_PHY command allows the Host to specify its preferred values for the transmitter PHY and receiver PHY to be used for all subsequent connections over the LE transport.

The All_PHYs parameter is a bit field that allows the Host to specify, for each direction, whether it has no preference among the PHYs that the Controller supports in a given direction or whether it has specified particular PHYs that it prefers in the TX_PHYs or RX_PHYs parameter.

The TX_PHYs parameter is a bit field that indicates the transmitter PHYs that the Host prefers the Controller to use. If the All_PHYs parameter specifies that the Host has no preference, the TX_PHYs parameter shall be ignored; otherwise at least one bit shall be set to 1.

The RX_PHYs parameter is a bit field that indicates the receiver PHYs that the Host prefers the Controller to use. If the All_PHYs parameter specifies that the Host has no preference, the RX_PHYs parameter shall be ignored; otherwise at least one bit shall be set to 1.

If the Host sets, in the TX_PHYs or RX_PHYs parameter, a bit for a PHY that the Controller does not support, including a bit that is reserved for future use, the Controller shall return the error code *Unsupported Feature or Parameter Value* (0x11).

If the Controller does not support asymmetric connections (see [\[Vol 6\] Part B, Section 4.6.9.1](#)) and the Host sets All_PHYs to 0x00 and TX_PHYs to a different value than RX_PHYs, the Controller shall return the error code *Unsupported Feature or Parameter Value* (0x11).



Command parameters:

All_PHYs:

Size: 1 octet

Bit number	Meaning
0	The Host has no preference among the transmitter PHYs supported by the Controller
1	The Host has no preference among the receiver PHYs supported by the Controller
All other bits	Reserved for future use

TX_PHYs:

Size: 1 octet

Bit number	Meaning
0	The Host prefers to use the LE 1M transmitter PHY (possibly among others)
1	The Host prefers to use the LE 2M transmitter PHY (possibly among others)
2	The Host prefers to use the LE Coded transmitter PHY (possibly among others)
All other bits	Reserved for future use

RX_PHYs:

Size: 1 octet

Bit number	Meaning
0	The Host prefers to use the LE 1M receiver PHY (possibly among others)
1	The Host prefers to use the LE 2M receiver PHY (possibly among others)
2	The Host prefers to use the LE Coded receiver PHY (possibly among others)
All other bits	Reserved for future use

Return parameters:

Status:

Size: 1 octet

Value	Parameter Description
0x00	HCI_LE_Set_Default_PHY command succeeded.
0x01 to 0xFF	HCI_LE_Set_Default_PHY command failed. See [Vol 1] Part F, Controller Error Codes for a list of error codes and descriptions

Event(s) generated (unless masked away):

When the HCI_LE_Set_Default_PHY command has completed, an HCI_Command_Complete event shall be generated.



7.8.49 LE Set PHY command

Command	OCF	Command Parameters	Return Parameters
HCI_LE_Set_PHY	0x0032	Connection_Handle, All_PHYs, TX_PHYs, RX_PHYs, PHY_Options	<i>none</i>

Description:

The HCI_LE_Set_PHY command is used to set the PHY preferences for the connection identified by the Connection_Handle. The Controller might not be able to make the change (e.g. because the peer does not support the requested PHY) or may decide that the current PHY is preferable (e.g., because it could not schedule other activities if the requested PHY was used or because it requires a PHY that supports Constant Tone Extensions).

The All_PHYs parameter is a bit field that allows the Host to specify, for each direction, whether it has no preference among the PHYs that the Controller supports in a given direction or whether it has specified particular PHYs that it prefers in the TX_PHYs or RX_PHYs parameter.

The TX_PHYs parameter is a bit field that indicates the transmitter PHYs that the Host prefers the Controller to use. If the All_PHYs parameter specifies that the Host has no preference, the TX_PHYs parameter shall be ignored; otherwise at least one bit shall be set to 1.

The RX_PHYs parameter is a bit field that indicates the receiver PHYs that the Host prefers the Controller to use. If the All_PHYs parameter specifies that the Host has no preference, the RX_PHYs parameter shall be ignored; otherwise at least one bit shall be set to 1.

The Controller shall request a change unless it determines that this is unnecessary or that the current PHY is preferable, in which case it may, but need not, request a change.

The PHY preferences provided by the HCI_LE_Set_PHY command override those provided via the HCI_LE_Set_Default_PHY command ([Section 7.8.48](#)) or any preferences previously set using the HCI_LE_Set_PHY command on the same connection.

The PHY_Options parameter is a bit field that allows the Host to specify options for PHYs. The default value for a new connection shall be all zero bits. The Controller may override any preferred coding for transmitting on the LE Coded PHY.



The Host may specify a preferred coding even if it prefers not to use the LE Coded transmitter PHY since the Controller may override the PHY preference.

If the Host sets, in the TX_PHYs or RX_PHYs parameter, a bit for a PHY that the Controller does not support, including a bit that is reserved for future use, the Controller shall return the error code *Unsupported Feature or Parameter Value* (0x11).

If the Controller does not support asymmetric connections (see [Vol 6] Part B, Section 4.6.9.1) and the Host sets All_PHYs to 0x00 and TX_PHYs to a different value than RX_PHYs, the Controller shall return the error code *Unsupported Feature or Parameter Value* (0x11).

Command parameters:

Connection_Handle: *Size: 2 octets (12 bits meaningful)*

Value	Parameter Description
0xXXXX	Connection_Handle Range: 0x0000 to 0x0EFF

All_PHYs: *Size: 1 octet*

Bit number	Meaning
0	The Host has no preference among the transmitter PHYs supported by the Controller
1	The Host has no preference among the receiver PHYs supported by the Controller
All other bits	Reserved for future use

TX_PHYs: *Size: 1 octet*

Bit number	Meaning
0	The Host prefers to use the LE 1M transmitter PHY (possibly among others)
1	The Host prefers to use the LE 2M transmitter PHY (possibly among others)
2	The Host prefers to use the LE Coded transmitter PHY (possibly among others)
All other bits	Reserved for future use

RX_PHYs: *Size: 1 octet*

Bit number	Meaning
0	The Host prefers to use the LE 1M receiver PHY (possibly among others)
1	The Host prefers to use the LE 2M receiver PHY (possibly among others)



Bit number	Meaning
2	The Host prefers to use the LE Coded receiver PHY (possibly among others)
All other bits	Reserved for future use

*PHY_Options:**Size: 2 octets*

Bit number	Meaning
0 to 1	0 = the Host has no preferred coding when transmitting on the LE Coded PHY 1 = the Host prefers that S=2 coding be used when transmitting on the LE Coded PHY 2 = the Host prefers that S=8 coding be used when transmitting on the LE Coded PHY 3 = Reserved for future use
All other bits	Reserved for future use

Return parameters:

None.

Event(s) generated (unless masked away):

When the Controller receives the HCI_LE_Set_PHY command, the Controller shall send the HCI_Command_Status event to the Host. The HCI_LE_PHY_Update_Complete event shall be generated either when one or both PHY changes or when the Controller determines that neither PHY will change immediately.

Note: If the peer negotiation resulted in no change to either PHY, this is not an error and the HCI_LE_PHY_Update_Complete event will contain a status indicating success.

**7.8.50 [This section is no longer used]**

See [Section 7.8.28](#) for the LE Receiver Test command.

7.8.51 [This section is no longer used]

See [Section 7.8.29](#) for the LE Transmitter Test command.



7.8.52 LE Set Advertising Set Random Address command

Command	OCF	Command Parameters	Return Parameters
HCI_LE_Set_Advertising_Set_Random_Address	0x0035	Advertising_Handle, Random_Address	Status

Description:

The HCI_LE_Set_Advertising_Set_Random_Address command is used by the Host to set the random device address specified by the Random_Address parameter. This address is used in the Controller (see [Vol 6] Part B, Section 1.3.2) for the advertiser's address contained in the advertising PDUs for the advertising set specified by the Advertising_Handle parameter.

This command may be issued at any time after an advertising set identified by the Advertising_Handle parameter has been created using the HCI_LE_Set_Extended_Advertising_Parameters command (see Section 7.8.53). However, if the Host issues this command while the advertising set identified by the Advertising_Handle parameter is using connectable advertising and is enabled, the Controller shall return the error code *Command Disallowed* (0x0C).

If this command is used to change the address, the new random address shall take effect for advertising no later than the next successful HCI_LE_Set_Extended_Advertising_Enable command and for periodic advertising no later than the next successful HCI_LE_Periodic_Advertising_Enable command.

Command parameters:

Advertising_Handle: *Size: 1 octet*

Value	Parameter Description
0xXX	Used to identify an advertising set Range: 0x00 to 0xEF

Random_Address: *Size: 6 octets*

Value	Parameter Description
0XXXXXXXXXXXXX	Random Device Address as defined by [Vol 6] Part B, Section 1.3.2

Return parameters:

Status: *Size: 1 octet*

Value	Parameter Description
0x00	HCI_LE_Set_Advertising_Set_Random_Address command succeeded



Value	Parameter Description
0x01 to 0xFF	HCI_LE_Set_Advertising_Set_Random_Address command failed. See [Vol 1] Part F, Controller Error Codes for a list of error codes and descriptions

Event(s) generated (unless masked away):

When the HCI_LE_Set_Advertising_Set_Random_Address command has completed, an HCI_Command_Complete event shall be generated.



7.8.53 LE Set Extended Advertising Parameters command

Command	OCF	Command Parameters	Return Parameters
HCI_LE_Set_Extended_Advertising_Parameters [v2]	0x007F	Advertising_Handle, Advertising_Event_Properties, Primary_Advertising_Interval_Min, Primary_Advertising_Interval_Max, Primary_Advertising_Channel_Map, Own_Address_Type, Peer_Address_Type, Peer_Address, Advertising_Filter_Policy, Advertising_TX_Power, Primary_Advertising_PHY, Secondary_Advertising_Max_Skip, Secondary_Advertising_PHY, Advertising_SID, Scan_Request_Notification_Enable Primary_Advertising_PHY_Options, Secondary_Advertising_PHY_Options	Status, Selected_TX_Power
HCI_LE_Set_Extended_Advertising_Parameters [v1]	0x0036	Advertising_Handle, Advertising_Event_Properties, Primary_Advertising_Interval_Min, Primary_Advertising_Interval_Max, Primary_Advertising_Channel_Map, Own_Address_Type, Peer_Address_Type, Peer_Address, Advertising_Filter_Policy, Advertising_TX_Power, Primary_Advertising_PHY, Secondary_Advertising_Max_Skip, Secondary_Advertising_PHY, Advertising_SID, Scan_Request_Notification_Enable	Status, Selected_TX_Power

Description:

The HCI_LE_Set_Extended_Advertising_Parameters command is used by the Host to set the advertising parameters.



The Advertising_Handle parameter identifies the advertising set whose parameters are being configured.

The Advertising_Event_Properties parameter describes the type of advertising event that is being configured and its basic properties. The type shall be one supported by the Controller. In particular, the following restrictions apply to this parameter:

- If legacy advertising PDU types are being used, then the parameter value shall be one of those specified in Table 7.2. If the advertising set already contains data, the type shall be one that supports advertising data and the amount of data shall not exceed 31 octets.

Event Type	PDU Type	Advertising Event Properties	Advertising Data
Connectable and scannable undirected	ADV_IND	0b00010011	Supported
Connectable directed (low duty cycle)	ADV_DIRECT_IND	0b00010101	Not allowed
Connectable directed (high duty cycle)	ADV_DIRECT_IND	0b00011101	Not allowed
Scannable undirected	ADV_SCAN_IND	0b00010010	Supported
Non-connectable and non-scannable undirected	ADV_NONCONN_IND	0b00010000	Supported

Table 7.2: Advertising_Event_Properties values for legacy PDUs

- If extended advertising PDU types are being used (bit 4 = 0) then:
 - The advertisement shall not be both connectable and scannable.
 - High duty cycle directed connectable advertising (≤ 3.75 ms advertising interval) shall not be used (bit 3 = 0).

If the Advertising_Event_Properties parameter does not describe an event type supported by the Controller, contains an invalid bit combination, or specifies a type that does not support advertising data when the advertising set already contains some, the Controller shall return the error code *Invalid HCI Command Parameters* (0x12).

The parameters beginning with “Secondary” are only valid when extended advertising PDU types are being used (bit 4 = 0).

The Own_Address_Type parameter shall be ignored for undirected anonymous advertising (bit 2 = 0 and bit 5 = 1).

If Directed advertising is selected, the Peer_Address_Type and Peer_Address shall be valid and the Advertising_Filter_Policy parameter shall be ignored.



The `Primary_Advertising_Interval_Min` parameter shall be less than or equal to the `Primary_Advertising_Interval_Max` parameter. The `Primary_Advertising_Interval_Min` and `Primary_Advertising_Interval_Max` parameters should not be the same value so that the Controller can choose the best advertising interval given other activities.

For high duty cycle connectable directed advertising event type (`ADV_DIRECT_IND`), the `Primary_Advertising_Interval_Min` and `Primary_Advertising_Interval_Max` parameters are not used and shall be ignored.

If the primary advertising interval range provided by the Host (`Primary_Advertising_Interval_Min`, `Primary_Advertising_Interval_Max`) does not overlap with the advertising interval range supported by the Controller, then the Controller shall return the error code *Unsupported Feature or Parameter Value* (0x11).

The `Primary_Advertising_Channel_Map` is a bit field that indicates the advertising channel indices that shall be used when transmitting advertising packets. At least one channel bit shall be set in the `Primary_Advertising_Channel_Map` parameter.

The `Own_Address_Type` parameter specifies the type of address being used in the advertising packets. For random addresses, the address is specified by the `HCI_LE_Set_Advertising_Set_Random_Address` command.

If `Own_Address_Type` equals 0x02 or 0x03, the `Peer_Address` parameter contains the peer's Identity Address and the `Peer_Address_Type` parameter contains the peer's Identity Type (i.e., 0x00 or 0x01). These parameters are used to locate the corresponding local IRK in the resolving list; this IRK is used to generate their own address used in the advertisement.

The `Advertising_TX_Power` parameter indicates the maximum power level at which the advertising packets are to be transmitted on the advertising physical channels. The Controller shall choose a power level lower than or equal to the one specified by the Host.

The `Primary_Advertising_PHY` parameter indicates the PHY on which the advertising packets are transmitted on the primary advertising physical channel. If legacy advertising PDUs are being used, the `Primary_Advertising_PHY` shall indicate the LE 1M PHY. The `Secondary_Advertising_PHY` parameter indicates the PHY on which the advertising packets are to be transmitted on the secondary advertising physical channel. If the Host specifies a PHY that is not supported by the Controller, including a value that is reserved for future use, it should return the error code *Unsupported Feature or Parameter Value* (0x11). If Constant Tone Extensions are enabled for the advertising set and `Secondary_Advertising_PHY` specifies a PHY that does not allow Constant Tone Extensions, the Controller shall return the error code *Command Disallowed* (0x0C).



If the `Primary_Advertising_PHY` indicates the LE Coded PHY, then the `Primary_Advertising_PHY_Options` shall indicate the Host's preference or requirement concerning coding scheme. Otherwise, `Primary_Advertising_PHY_Options` shall be ignored. If the `Secondary_Advertising_PHY` indicates the LE Coded PHY, then the `Secondary_Advertising_PHY_Options` shall indicate the Host's preference or requirement concerning coding scheme (including for periodic advertising). Otherwise, `Secondary_Advertising_PHY_Options` shall be ignored. If the Host specifies that it requires a specific coding (i.e., value 0x03 or 0x04) in the `Primary_Advertising_PHY_Options` or `Secondary_Advertising_PHY_Options` and the Controller supports the LE Feature (Advertising Coding Selection) but is currently unable to provide all the required settings, then the Controller shall return the error code *Command Disallowed* (0x0C).

The `Secondary_Advertising_Max_Skip` parameter is the maximum number of advertising events that can be skipped before the `AUX_ADV_IND` can be sent.

The `Advertising_SID` parameter specifies the value to be transmitted in the Advertising SID subfield of the ADI field of the Extended Header of those advertising physical channel PDUs that have an ADI field. If the advertising set only uses PDUs that do not contain an ADI field, `Advertising_SID` shall be ignored.

The `Scan_Request_Notification_Enable` parameter indicates whether the Controller shall send notifications upon the receipt of a scan request PDU that is in response to an advertisement from the specified advertising set that contains its device address and is from a scanner that is allowed by the advertising filter policy.

The Controller shall set the `Selected_TX_Power` return parameter to the transmit power that it will use for transmitting the advertising packets for the specified advertising set. The Controller shall only change this value if requested by the Host. If the radiated power level will vary between packets (e.g., because of frequency-dependent properties of the transmitter) then the value should be the best estimate of the maximum power used.

If the Host issues this command when advertising is enabled for the specified advertising set, the Controller shall return the error code *Command Disallowed* (0x0C).

If the Host issues this command when periodic advertising is enabled for the specified advertising set and connectable, scannable, legacy, or anonymous advertising is specified, the Controller shall return the error code *Invalid HCI Command Parameters* (0x12).

If periodic advertising is enabled for the advertising set and the `Secondary_Advertising_PHY` parameter does not specify the PHY currently being used for the periodic advertising, the Controller shall return the error code *Command Disallowed* (0x0C).



If the Advertising_Handle does not identify an existing advertising set and the Controller is unable to support a new advertising set at present, the Controller shall return the error code *Memory Capacity Exceeded* (0x07).

If the advertising set already contains advertising data or scan response data, extended advertising is being used, and the length of the data is greater than the maximum that the Controller can transmit within the longest possible auxiliary advertising segment consistent with the parameters, the Controller shall return the error code *Packet Too Long* (0x45). If advertising on the LE Coded PHY, the S=8 coding shall be assumed unless the current advertising parameters require the use of S=2 for an advertising physical channel, in which case the S=2 coding shall be assumed for that advertising physical channel.

If the Controller does not support the LE Feature (Advertising Coding Selection) and the Host does not set both Primary_Advertising_PHY_Options and Secondary_Advertising_PHY_Options to zero, the Controller shall return the error code *Unsupported Feature or Parameter Value* (0x11).

Missing parameters:

When a version of this command is issued that does not include all the parameters, the following values shall be used:

Parameter	Value
Primary_Advertising_PHY_Options	0x00
Secondary_Advertising_PHY_Options	0x00

Command parameters:

Advertising_Handle: *Size: 1 octet*

Value	Parameter Description
0xXX	Used to identify an advertising set Range: 0x00 to 0xEF

Advertising_Event_Properties: *Size: 2 octets*

Bit number	Parameter Description
0	Connectable advertising
1	Scannable advertising
2	Directed advertising
3	High Duty Cycle Directed Connectable advertising (≤ 3.75 ms Advertising Interval)
4	Use legacy advertising PDUs
5	Omit advertiser's address from all PDUs ("anonymous advertising")



Bit number	Parameter Description
6	Include TxPower in the extended header of at least one advertising PDU
All other bits	Reserved for future use

Primary_Advertising_Interval_Min: *Size: 3 octets*

Value	Parameter Description
N = 0xXXXXXX	Minimum advertising interval for undirected and low duty cycle directed advertising. Range: 0x000020 to 0xFFFFFFFF Time = N × 0.625 ms Time Range: 20 ms to 10,485.759375 s

Primary_Advertising_Interval_Max: *Size: 3 octets*

Value	Parameter Description
N = 0xXXXXXX	Maximum advertising interval for undirected and low duty cycle directed advertising. Range: 0x000020 to 0xFFFFFFFF Time = N × 0.625 ms Time Range: 20 ms to 10,485.759375 s

Primary_Advertising_Channel_Map: *Size: 1 octet*

Bit number	Parameter Description
0	Channel 37 shall be used
1	Channel 38 shall be used
2	Channel 39 shall be used
All other bits	Reserved for future use

Own_Address_Type: *Size: 1 octet*

Value	Parameter Description
0x00	Public Device Address
0x01	Random Device Address
0x02	Controller generates the Resolvable Private Address based on the local IRK from the resolving list. If the resolving list contains no matching entry, use the public address.



Value	Parameter Description
0x03	Controller generates the Resolvable Private Address based on the local IRK from the resolving list. If the resolving list contains no matching entry, use the random address from LE_Set_Advertising_Set_Random_Address.
All other values	Reserved for future use

Peer_Address_Type:

Size: 1 octet

Value	Parameter Description
0x00	Public Device Address or Public Identity Address
0x01	Random Device Address or Random (static) Identity Address
All other values	Reserved for future use

Peer_Address:

Size: 6 octets

Value	Parameter Description
0XXXXXXXXXXXXX	Public Device Address, Random Device Address, Public Identity Address, or Random (static) Identity Address of the device to be connected.

Advertising_Filter_Policy:

Size: 1 octet

Value	Parameter Description
0x00	Process scan and connection requests from all devices (i.e., the Filter Accept List is not in use)
0x01	Process connection requests from all devices and scan requests only from devices that are in the Filter Accept List.
0x02	Process scan requests from all devices and connection requests only from devices that are in the Filter Accept List.
0x03	Process scan and connection requests only from devices in the Filter Accept List.
All other values	Reserved for future use

Advertising_TX_Power:

Size: 1 octet

Value	Parameter Description
0xXX	Range: -127 to +20 Units: dBm
0x7F	Host has no preference



Primary_Advertising_PHY:

Size: 1 octet

Value	Parameter Description
0x01	Primary advertisement PHY is LE 1M
0x03	Primary advertisement PHY is LE Coded
All other values	Reserved for future use

Secondary_Advertising_Max_Skip:

Size: 1 octet

Value	Parameter Description
0x00	AUX_ADV_IND shall be sent prior to the next advertising event
0x01 to 0xFF	Maximum advertising events the Controller can skip before sending the AUX_ADV_IND packets on the secondary advertising physical channel

Secondary_Advertising_PHY:

Size: 1 octet

Value	Parameter Description
0x01	Secondary advertisement PHY is LE 1M
0x02	Secondary advertisement PHY is LE 2M
0x03	Secondary advertisement PHY is LE Coded
All other values	Reserved for future use

Advertising_SID:

Size: 1 octet

Value	Parameter Description
0x00 to 0x0F	Value of the Advertising SID subfield in the ADI field of the PDU
All other values	Reserved for future use

Scan_Request_Notification_Enable:

Size: 1 octet

Value	Parameter Description
0x00	Scan request notifications disabled
0x01	Scan request notifications enabled
All other values	Reserved for future use

Primary_Advertising_PHY_Options:

Size: 1 octet

Value	Parameter Description
0x00	The Host has no preferred or required coding when transmitting on the LE Coded PHY
0x01	The Host prefers that S=2 coding be used when transmitting on the LE Coded PHY



Value	Parameter Description
0x02	The Host prefers that S=8 coding be used when transmitting on the LE Coded PHY
0x03	The Host requires that S=2 coding be used when transmitting on the LE Coded PHY
0x04	The Host requires that S=8 coding be used when transmitting on the LE Coded PHY
All other values	Reserved for future use

Secondary_Advertising_PHY_Options:

Size: 1 octet

Value	Parameter Description
0x00	The Host has no preferred or required coding when transmitting on the LE Coded PHY
0x01	The Host prefers that S=2 coding be used when transmitting on the LE Coded PHY
0x02	The Host prefers that S=8 coding be used when transmitting on the LE Coded PHY
0x03	The Host requires that S=2 coding be used when transmitting on the LE Coded PHY
0x04	The Host requires that S=8 coding be used when transmitting on the LE Coded PHY
All other values	Reserved for future use

Return parameters:

Status:

Size: 1 octet

Value	Parameter Description
0x00	HCI_LE_Set_Extended_Advertising_Parameters command succeeded
0x01 to 0xFF	HCI_LE_Set_Extended_Advertising_Parameters command failed. See [Vol 1] Part F, Controller Error Codes for a list of error codes and descriptions

Selected_TX_Power:

Size: 1 octet

Value	Parameter Description
0xXX	Range: -127 to +20 Units: dBm

Event(s) generated (unless masked away):

When the HCI_LE_Set_Extended_Advertising_Parameters command has completed, an HCI_Command_Complete event shall be generated.



7.8.54 LE Set Extended Advertising Data command

Command	OCF	Command Parameters	Return Parameters
HCI_LE_Set_Extended_Advertising_Data	0x0037	Advertising_Handle, Operation, Fragment_Preference, Advertising_Data_Length, Advertising_Data	Status

Description:

The HCI_LE_Set_Extended_Advertising_Data command is used to set the data used in advertising PDUs that have a data field. This command may be issued at any time after an advertising set identified by the Advertising_Handle parameter has been created using the HCI_LE_Set_Extended_Advertising_Parameters command (see [Section 7.8.53](#)), regardless of whether advertising in that set is enabled or disabled.

If advertising is currently enabled for the specified advertising set, the Controller shall use the new data in subsequent extended advertising events for this advertising set. If an extended advertising event is in progress when this command is issued, the Controller may use the old or new data for that event.

If advertising is currently disabled for the specified advertising set, the data shall be kept by the Controller and used once advertising is enabled for that set. The data shall be discarded when the advertising set is removed.

Only the significant part of the advertising data should be transmitted in the advertising packets as defined in [\[Vol 3\] Part C, Section 11](#).

The Host may set the advertising data in one or more operations using the Operation parameter in the command. If the combined length of the data exceeds the capacity of the advertising set identified by the Advertising_Handle parameter (see [Section 7.8.57](#) LE Read Maximum Advertising Data Length command) or the amount of memory currently available, all the data shall be discarded and the Controller shall return the error code *Memory Capacity Exceeded* (0x07).

If the advertising set uses extended advertising and the combined length of the data is greater than the maximum that the Controller can transmit within the longest possible auxiliary advertising segment consistent with the current parameters of the advertising set (using the current advertising interval if advertising is enabled), all the data shall be discarded and the Controller shall return the error code *Packet Too Long* (0x45). If advertising on the LE Coded PHY, the S=8 coding shall be assumed unless the current advertising



parameters require the use of S=2 for an advertising physical channel, in which case the S=2 coding shall be assumed for that advertising physical channel.

If Operation indicates the start of new data (values 0x01 or 0x03), then any existing partial or complete advertising data shall be discarded.

If the advertising data is discarded by the command or the combined length of the data after the command completes is zero, the advertising set will have no advertising data.

If Operation is 0x04, the behavior is the same as if the current advertising data had been sent again; this can be used to cause the Advertising DID value to be updated (see [Vol 6] Part B, Section 4.4.2.11).

The Fragment_Preference parameter provides a hint to the Controller as to whether advertising data should be fragmented.

If the advertising set specifies a type that does not support advertising data, the Controller shall return the error code *Invalid HCI Command Parameters* (0x12).

If the advertising set uses legacy advertising PDUs that support advertising data and either Operation is not 0x03 or the Advertising_Data_Length parameter exceeds 31 octets, the Controller shall return the error code *Invalid HCI Command Parameters* (0x12).

If Operation is 0x04 and:

- advertising is currently disabled for the advertising set;
- the advertising set contains no data;
- the advertising set uses legacy PDUs; or
- Advertising_Data_Length is not zero;

then the Controller shall return the error code *Invalid HCI Command Parameters* (0x12).

If Operation is not 0x03 or 0x04 and Advertising_Data_Length is zero, the Controller shall return the error code *Invalid HCI Command Parameters* (0x12).

If advertising is currently enabled for the specified advertising set and Operation does not have the value 0x03 or 0x04, the Controller shall return the error code *Command Disallowed* (0x0C).

If the advertising set corresponding to the Advertising_Handle parameter does not exist, then the Controller shall return the error code *Unknown Advertising Identifier* (0x42).



Command parameters:

Advertising_Handle: *Size: 1 octet*

Value	Parameter Description
0xXX	Used to identify an advertising set Range: 0x00 to 0xEF

Operation: *Size: 1 octet*

Value	Parameter Description
0x00	Intermediate fragment of fragmented extended advertising data
0x01	First fragment of fragmented extended advertising data
0x02	Last fragment of fragmented extended advertising data
0x03	Complete extended advertising data
0x04	Unchanged data (just update the Advertising DID)
All other values	Reserved for future use

Fragment_Preference: *Size: 1 octet*

Value	Parameter Description
0x00	The Controller may fragment all Host advertising data
0x01	The Controller should not fragment or should minimize fragmentation of Host advertising data
All other values	Reserved for future use

Advertising_Data_Length: *Size: 1 octet*

Value	Parameter Description
0 to 251	The number of octets in the Advertising Data parameter
All other values	Reserved for future use

Advertising_Data: *Size: Advertising_Data_Length octets*

Parameter Description
Advertising data formatted as defined in [Vol 3] Part C, Section 11 Note: This parameter has a variable length.

**Return parameters:***Status:**Size: 1 octet*

Value	Parameter Description
0x00	HCI_LE_Set_Extended_Advertising_Data command succeeded
0x01 to 0xFF	HCI_LE_Set_Extended_Advertising_Data command failed. See [Vol 1] Part F, Controller Error Codes for a list of error codes and descriptions

Event(s) generated (unless masked away):

When the HCI_LE_Set_Extended_Advertising_Data command has completed, an HCI_Command_Complete event shall be generated.



7.8.55 LE Set Extended Scan Response Data command

Command	OCF	Command Parameters	Return Parameters
HCI_LE_Set_Extended_Scan_Response_Data	0x0038	Advertising_Handle, Operation, Fragment_Preference, Scan_Response_Data_Length, Scan_Response_Data	Status

Description:

The HCI_LE_Set_Extended_Scan_Response_Data command is used to provide scan response data used in scanning response PDUs. This command may be issued at any time after the advertising set identified by the Advertising_Handle parameter has been created using the HCI_LE_Set_Extended_Advertising_Parameters command (see [Section 7.8.53](#)) regardless of whether advertising in that set is enabled or disabled.

If advertising is currently enabled for the specified advertising set, the Controller shall use the new data in subsequent extended advertising events for this advertising set. If an extended advertising event is in progress when this command is issued, the Controller may use the old or new data for that event.

If advertising is currently disabled for the specified advertising set, the data shall be kept by the Controller and used once advertising is enabled for that set. The data shall be discarded when the advertising set is removed.

Only the significant part of the scan response data should be transmitted in the advertising packets as defined in [\[Vol 3\] Part C, Section 11](#).

The Host may set the scan response data in one or more operations using the Operation parameter in the command. If the combined length of the data exceeds the capacity of the advertising set identified by the Advertising_Handle parameter (see [Section 7.8.57](#) LE Read Maximum Advertising Data Length command) or the amount of memory currently available, all the data shall be discarded and the Controller shall return the error code *Memory Capacity Exceeded* (0x07).

If Operation indicates the start of new data (values 0x01 or 0x03), then any existing partial or complete scan response data shall be discarded.

If the scan response data is discarded by the command or the combined length of the data after the command completes is zero, the advertising set will have no scan response data.



The `Fragment_Preference` parameter provides a hint to the Controller as to whether advertising data should be fragmented.

If the advertising set is non-scannable and the Host uses this command other than to discard existing data, the Controller shall return the error code *Invalid HCI Command Parameters (0x12)*. If the advertising set uses scannable legacy advertising PDUs and either `Operation` is not 0x03 or the `Scan_Response_Data_Length` parameter exceeds 31 octets, the Controller shall return the error code *Invalid HCI Command Parameters (0x12)*.

If `Operation` is not 0x03 and `Scan_Response_Data_Length` is zero, the Controller shall return the error code *Invalid HCI Command Parameters (0x12)*.

If advertising is currently enabled for the specified advertising set and `Operation` does not have the value 0x03, the Controller shall return the error code *Command Disallowed (0x0C)*.

If the advertising set uses extended advertising and the combined length of the data is greater than the maximum that the Controller can transmit within the longest possible auxiliary advertising segment consistent with the current parameters of the advertising set (using the current advertising interval if advertising is enabled), all the data shall be discarded and the Controller shall return the error code *Packet Too Long (0x45)*. If advertising on the LE Coded PHY, the S=8 coding shall be assumed unless the current advertising parameters require the use of S=2 for an advertising physical channel, in which case the S=2 coding shall be assumed for that advertising physical channel.

If the advertising set uses scannable extended advertising PDUs, advertising is currently enabled for the specified advertising set, and `Scan_Response_Data_Length` is zero, the Controller shall return the error code *Command Disallowed (0x0C)*.

If the advertising set corresponding to the `Advertising_Handle` parameter does not exist, then the Controller shall return the error code *Unknown Advertising Identifier (0x42)*.

Command parameters:

Advertising_Handle: *Size: 1 octet*

Value	Parameter Description
0xXX	Used to identify an advertising set Range: 0x00 to 0xEF

Operation: *Size: 1 octet*

Value	Parameter Description
0x00	Intermediate fragment of fragmented scan response data
0x01	First fragment of fragmented scan response data



Value	Parameter Description
0x02	Last fragment of fragmented scan response data
0x03	Complete scan response data
All other values	Reserved for future use

Fragment_Preference:

Size: 1 octet

Value	Parameter Description
0x00	The Controller may fragment all scan response data
0x01	The Controller should not fragment or should minimize fragmentation of scan response data
All other values	Reserved for future use

Scan_Response_Data_Length:

Size: 1 octet

Value	Parameter Description
0 to 251	The number of octets in the Scan_Response Data parameter
All other values	Reserved for future use

Scan_Response_Data:

Size: Scan_Response_Data_Length octets

Parameter Description
Scan response data formatted as defined in [Vol 3] Part C, Section 11
Note: This parameter has a variable length.

Return parameters:

Status:

Size: 1 octet

Value	Parameter Description
0x00	HCI_LE_Set_Extended_Scan_Response_Data command succeeded
0x01 to 0xFF	HCI_LE_Set_Extended_Scan_Response_Data command failed. See [Vol 1] Part F, Controller Error Codes for a list of error codes and descriptions

Event(s) generated (unless masked away):

When the HCI_LE_Set_Extended_Scan_Response_Data command has completed, an HCI_Command_Complete event shall be generated.



7.8.56 LE Set Extended Advertising Enable command

Command	OCF	Command Parameters	Return Parameters
HCI_LE_Set_Extended_Advertising_Enable	0x0039	Enable, Num_Sets, Advertising_Handle[i], Duration[i], Max_Extended_Advertising_Events[i]	Status

Description:

The HCI_LE_Set_Extended_Advertising_Enable command is used to request the Controller to enable or disable one or more advertising sets using the advertising sets identified by the Advertising_Handle[i] parameter. The Controller manages the timing of advertisements in accordance with the advertising parameters given in the HCI_LE_Set_Extended_Advertising_Parameters command. The Num_Sets parameter is the number of advertising sets contained in the parameter arrays. If Enable and Num_Sets are both set to 0x00, then all advertising sets are disabled.

The Controller shall only start an advertising event when the corresponding advertising set is enabled. The Controller shall continue advertising until all advertising sets have been disabled. An advertising set shall be disabled when the Host issues an HCI_LE_Set_Extended_Advertising_Enable command with the Enable parameter set to 0x00 (Advertising is disabled), a connection is created using that advertising set, the duration specified in the Duration[i] parameter expires, or the number of extended advertising events transmitted for the set exceeds the Max_Extended_Advertising_Events[i] parameter.

The Duration[i] parameter indicates the duration for which that advertising set is enabled. The duration begins at the start of the first advertising event of this advertising set. The Controller should not start an extended advertising event that it cannot complete within the duration.

If the advertising is high duty cycle connectable directed advertising, then Duration[i] shall be less than or equal to 1.28 seconds and shall not be equal to 0.

The Max_Extended_Advertising_Events[i] parameter, if non-zero, indicates the maximum number of extended advertising events that shall be sent prior to disabling the extended advertising set even if the Duration[i] parameter has not expired.

Duration[i] and Max_Extended_Advertising_Events[i] shall be ignored when Enable is set to 0x00.

If the HCI_LE_Set_Extended_Advertising_Enable command is sent again for an advertising set while that set is enabled, the timer used for the duration and



the number of events counter are reset and any change to the random address shall take effect.

Disabling the advertising set identified by the Advertising_Handle[i] parameter does not disable any periodic advertising associated with that set.

Disabling an advertising set that is already disabled has no effect.

If the same advertising set is identified by more than one entry in the Advertising_Handle[i] arrayed parameter, then the Controller shall return the error code *Invalid HCI Command Parameters* (0x12).

If the advertising set corresponding to the Advertising_Handle[i] parameter does not exist, then the Controller shall return the error code *Unknown Advertising Identifier* (0x42).

The remainder of this section only applies if Enable is set to 0x01.

If Num_Sets is set to 0x00, the Controller shall return the error code *Invalid HCI Command Parameters* (0x12).

If the advertising set contains partial advertising data or partial scan response data, the Controller shall return the error code *Command Disallowed* (0x0C).

If the advertising set uses scannable extended advertising PDUs and no scan response data is currently provided, the Controller shall return the error code *Command Disallowed* (0x0C).

If the advertising set uses connectable extended advertising PDUs and the advertising data in the advertising set will not fit in the AUX_ADV_IND PDU, the Controller shall return the error code *Invalid HCI Command Parameters* (0x12).

Note: The maximum amount of data that will fit in the PDU depends on which options are selected and on the maximum length of PDU that the Controller is able to transmit.

If extended advertising is being used and the length of any advertising data or of any scan response data is greater than the maximum that the Controller can transmit within the longest possible auxiliary advertising segment consistent with the chosen advertising interval, the Controller shall return the error code *Packet Too Long* (0x45). If advertising on the LE Coded PHY, the S=8 coding shall be assumed unless the current advertising parameters require the use of S=2 for an advertising physical channel, in which case the S=2 coding shall be assumed for that advertising physical channel.

If the advertising set's Own_Address_Type parameter is set to 0x00 and the device does not have a public address, the Controller should return an error code which should be *Invalid HCI Command Parameters* (0x12).



If the advertising set's `Own_Address_Type` parameter is set to 0x01 and the random address for the advertising set has not been initialized using the `HCI_LE_Set_Advertising_Set_Random_Address` command, the Controller shall return the error code *Invalid HCI Command Parameters* (0x12).

If the advertising set's `Own_Address_Type` parameter is set to 0x02, the Controller's resolving list did not contain a matching entry, and the device does not have a public address, the Controller should return an error code which should be *Invalid HCI Command Parameters* (0x12).

If the advertising set's `Own_Address_Type` parameter is set to 0x03, the Controller's resolving list did not contain a matching entry, and the random address for the advertising set has not been initialized using the `HCI_LE_Set_Advertising_Set_Random_Address` command, the Controller shall return the error code *Invalid HCI Command Parameters* (0x12).

Command parameters:

Enable: *Size: 1 octet*

Value	Parameter Description
0x00	Advertising is disabled
0x01	Advertising is enabled
All other values	Reserved for future use

Num_Sets: *Size: 1 octet*

Value	Parameter Description
0x00	Disable all advertising sets
0x01 to 0x3F	Number of advertising sets to enable or disable
All other values	Reserved for future use

Advertising_Handle[i]: *Size: Num_Sets × 1 octet*

Value	Parameter Description
0x00 to 0xEF	Used to identify an advertising set
All other values	Reserved for future use



Duration[i]:

Size: Num_Sets × 2 octets

Value	Parameter Description
0x0000	No advertising duration. Advertising to continue until the Host disables it.
N = 0xXXXX	Advertising duration Range: 0x0001 to 0xFFFF Time = N × 10 ms Time Range: 10 ms to 655,350 ms

Max_Extended_Advertising_Events[i]:

Size: Num_Sets × 1 octet

Value	Parameter Description
0xXX	Maximum number of extended advertising events the Controller shall attempt to send prior to terminating the extended advertising
0x00	No maximum number of advertising events.

Return parameters:

Status:

Size: 1 octet

Value	Parameter Description
0x00	HCI_LE_Set_Extended_Advertising_Enable command succeeded
0x01 to 0xFF	HCI_LE_Set_Extended_Advertising_Enable command failed. See [Vol 1] Part F, Controller Error Codes for a list of error codes and descriptions.

Event(s) generated (unless masked away):

When the HCI_LE_Set_Extended_Advertising_Enable command has completed, an HCI_Command_Complete event shall be generated.

If the Duration[i] parameter is set to a value other than 0x0000, an HCI_LE_Advertising_Set_Terminated event shall be generated when the duration specified in the Duration[i] parameter expires. However, if the advertising set is for high duty cycle connectable directed advertising and no connection is created before the duration expires, an HCI_LE_Connection_Complete or HCI_LE_Enhanced_Connection_Complete event with the Status parameter set to the error code *Advertising Timeout* (0x3C) may be generated instead of or in addition to the HCI_LE_Advertising_Set_Terminated event. If the Controller generates both events, they may be in either order.

If the Max_Extended_Advertising_Events[i] parameter is set to a value other than 0x00, an HCI_LE_Advertising_Set_Terminated event shall be generated when the maximum number of extended advertising events has been transmitted by the Controller.



If the advertising set is connectable and a connection gets created, an HCI_LE_Connection_Complete or HCI_LE_Enhanced_Connection_Complete event shall be generated followed by an HCI_LE_Advertising_Set_Terminated event with the Status parameter set to 0x00. The Controller should not send any other events in between these two events. If the Controller supports the LE Channel Selection Algorithm #2 feature, then the HCI_LE_Advertising_Set_Terminated event may be immediately preceded or followed by an HCI_LE_Channel_Selection_Algorithm event.

Note: If this command is used to disable advertising at about the same time that a connection is established or the advertising duration expires, there is a possible race condition in that it is possible to receive both an HCI_LE_Connection_Complete, HCI_LE_Enhanced_Connection_Complete, or HCI_LE_Advertising_Set_Terminated event and the HCI_Command_Complete event for this command.



7.8.57 LE Read Maximum Advertising Data Length command

Command	OCF	Command Parameters	Return Parameters
HCI_LE_Read_Maximum_Advertising_Data_Length	0x003A	none	Status, Max_Advertising_Data_Length

Description:

The HCI_LE_Read_Maximum_Advertising_Data_Length command is used to read the maximum length of data supported by the Controller for use as advertisement data or scan response data in an advertising event or as periodic advertisement data.

Note: The maximum amount may be fragmented across multiple PDUs (see [Vol 6] Part B, Section 2.3.4.9).

Command parameters:

None.

Return parameters:

Status:

Size: 1 octet

Value	Parameter Description
0x00	HCI_LE_Read_Maximum_Advertising_Data_Length command succeeded
0x01 to 0xFF	HCI_LE_Read_Maximum_Advertising_Data_Length command failed. See [Vol 1] Part F, Controller Error Codes for a list of error codes and descriptions.

Max_Advertising_Data_Length:

Size: 2 octets

Value	Parameter Description
0x001F to 0x0672	Maximum supported advertising data length
All other values	Reserved for future use

Event(s) generated (unless masked away):

When the HCI_LE_Read_Maximum_Advertising_Data_Length command has completed, an HCI_Command_Complete event shall be generated.



7.8.58 LE Read Number of Supported Advertising Sets command

Command	OCF	Command Parameters	Return Parameters
HCI_LE_Read_Number_of_Supported_Advertising_Sets	0x003B	none	Status, Num_Supported_Advertising_Sets

Description:

The HCI_LE_Read_Number_of_Supported_Advertising_Sets command is used to read the maximum number of advertising sets supported by the advertising Controller at the same time.

Note: The number of advertising sets that can be supported is not fixed and the Controller can change it at any time because the memory used to store advertising sets can also be used for other purposes.

Command parameters:

None.

Return parameters:

Status:

Size: 1 octet

Value	Parameter Description
0x00	HCI_LE_Read_Number_of_Supported_Advertising_Sets command succeeded
0x01 to 0xFF	HCI_LE_Read_Number_of_Supported_Advertising_Sets command failed. See [Vol 1] Part F, Controller Error Codes for a list of error codes and descriptions.

Num_Supported_Advertising_Sets:

Size: 1 octet

Value	Parameter Description
0x01 to 0xF0	Number of advertising sets supported at the same time
All other values	Reserved for future use

Event(s) generated (unless masked away):

When the HCI_LE_Read_Number_of_Supported_Advertising_Sets command has completed, an HCI_Command_Complete event shall be generated.



7.8.59 LE Remove Advertising Set command

Command	OCF	Command Parameters	Return Parameters
HCI_LE_Remove_Advertising_Set	0x003C	Advertising_Handle	Status

Description:

The HCI_LE_Remove_Advertising_Set command is used to remove an advertising set from the Controller.

If the advertising set corresponding to the Advertising_Handle parameter does not exist, then the Controller shall return the error code *Unknown Advertising Identifier* (0x42). If advertising or periodic advertising on the advertising set is enabled, then the Controller shall return the error code *Command Disallowed* (0x0C).

Command parameters:

Advertising_Handle:

Size: 1 octet

Value	Parameter Description
0xXX	Used to identify an advertising set Range: 0x00 to 0xEF

Return parameters:

Status:

Size: 1 octet

Value	Parameter Description
0x00	HCI_LE_Remove_Advertising_Set command succeeded
0x01 to 0xFF	HCI_LE_Remove_Advertising_Set command failed. See [Vol 1] Part F, Controller Error Codes for a list of error codes and descriptions.

Event(s) generated (unless masked away):

When the HCI_LE_Remove_Advertising_Set command has completed, an HCI_Command_Complete event shall be generated.



7.8.60 LE Clear Advertising Sets command

Command	OCF	Command Parameters	Return Parameters
HCI_LE_Clear_Advertising_Sets	0x003D	<i>none</i>	Status

Description:

The HCI_LE_Clear_Advertising_Sets command is used to remove all existing advertising sets from the Controller.

If advertising or periodic advertising is enabled on any advertising set, then the Controller shall return the error code *Command Disallowed* (0x0C).

Note: All advertising sets are cleared on HCI reset.

Command parameters:

None.

Return parameters:

Status:

Size: 1 octet

Value	Parameter Description
0x00	HCI_LE_Clear_Advertising_Sets command succeeded
0x01 to 0xFF	HCI_LE_Clear_Advertising_Sets command failed. See [Vol 1] Part F, Controller Error Codes for a list of error codes and descriptions.

Event(s) generated (unless masked away):

When the HCI_LE_Clear_Advertising_Sets command has completed, an HCI_Command_Complete event shall be generated.



7.8.61 LE Set Periodic Advertising Parameters command

Command	OCF	Command Parameters	Return Parameters
HCI_LE_Set_Periodic_Advertising_Parameters [v2]	0x86	Advertising_Handle, Periodic_Advertising_Interval_Min, Periodic_Advertising_Interval_Max, Periodic_Advertising_Properties, Num_Subevents, Subevent_Interval, Response_Slot_Delay, Response_Slot_Spacing, Num_Response_Slots	Status, Advertising_Handle
HCI_LE_Set_Periodic_Advertising_Parameters [v1]	0x003E	Advertising_Handle, Periodic_Advertising_Interval_Min, Periodic_Advertising_Interval_Max, Periodic_Advertising_Properties	Status

Description:

The HCI_LE_Set_Periodic_Advertising_Parameters command is used by the Host to set the parameters for periodic advertising.

The Advertising_Handle parameter identifies the advertising set whose periodic advertising parameters are being configured. If the corresponding advertising set does not already exist, then the Controller shall return the error code *Unknown Advertising Identifier* (0x42).

The Periodic_Advertising_Interval_Min parameter shall be less than or equal to the Periodic_Advertising_Interval_Max parameter. The Periodic_Advertising_Interval_Min and Periodic_Advertising_Interval_Max parameters should not be the same value to enable the Controller to determine the best advertising interval given other activities.

If the periodic advertising interval range provided by the Host (Periodic_Advertising_Interval_Min, Periodic_Advertising_Interval_Max) does not overlap with the periodic advertising interval range supported by the Controller, then the Controller shall return an error which should use the error code *Unsupported Feature or Parameter Value* (0x11).

The Periodic_Advertising_Properties parameter indicates which fields should be included in the advertising packet.

The Num_Subevents parameter identifies the number of subevents that shall be transmitted for each periodic advertising event. If the Num_Subevents parameter value is 0x00, then the Subevent_Interval, Response_Slot_Delay,



Response_Slot_Spacing, and Num_Response_Slots parameters shall be ignored.

The Subevent_Interval parameter identifies the time between the subevents of PAwR. The Subevent_Interval shall be less than or equal to the Periodic_Advertising_Interval_Min divided by the Num_Subevents of the advertising set.

The Response_Slot_Delay parameter identifies the time between the start of the advertising packet at the start of a subevent and the start of the first response slot. The Response_Slot_Delay shall be less than the Subevent_Interval.

The Response_Slot_Spacing parameter identifies the time between the start of two consecutive response slots. The Response_Slot_Spacing shall be less than or equal to $10 \times (\text{Subevent_Interval} - \text{Response_Slot_Delay}) / \text{Num_Response_Slots}$. If the Num_Response_Slots parameter is set to 1, then the Controller shall ignore the Response_Slot_Spacing parameter.

The Num_Response_Slots parameter identifies the number of response slots in a subevent. If the Num_Response_Slots parameter value is 0x00, then the Response_Slot_Delay and Response_Slot_Spacing parameters shall be ignored.

If the advertising set identified by the Advertising_Handle specified scannable, connectable, legacy, or anonymous advertising, the Controller shall return the error code *Invalid HCI Command Parameters* (0x12).

If the Host issues this command when periodic advertising is enabled for the specified advertising set, the Controller shall return the error code *Command Disallowed* (0x0C).

If the Advertising_Handle does not identify an advertising set that is already configured for periodic advertising and the Controller is unable to support more periodic advertising at present, the Controller shall return the error code *Memory Capacity Exceeded* (0x07).

If the advertising set already contains periodic advertising data and the length of the data is greater than the maximum that the Controller can transmit within a periodic advertising interval of Periodic_Advertising_Interval_Max, the Controller shall return the error code *Packet Too Long* (0x45). If advertising on the LE Coded PHY, the S=8 coding shall be assumed unless the current advertising parameters require the use of S=2 for an advertising physical channel, in which case the S=2 coding shall be assumed for that advertising physical channel.



Command parameters:

Advertising_Handle: *Size: 1 octet*

Value	Parameter Description
0xXX	Used to identify a periodic advertising train Range: 0x00 to 0xEF

Periodic_Advertising_Interval_Min: *Size: 2 octets*

Value	Parameter Description
N = 0xXXXX	Minimum advertising interval for periodic advertising. Range: 0x0006 to 0xFFFF Time = N × 1.25 ms Time Range: 7.5 ms to 81.91875 s

Periodic_Advertising_Interval_Max: *Size: 2 octets*

Value	Parameter Description
N = 0xXXXX	Maximum advertising interval for periodic advertising. Range: 0x0006 to 0xFFFF Time = N × 1.25 ms Time Range: 7.5 ms to 81.91875 s

Periodic_Advertising_Properties: *Size: 2 octets*

Bit Number	Parameter Description
6	Include TxPower in the advertising PDU
All other bits	Reserved for future use

Num_Subevents: *Size: 1 octet*

Value	Parameter Description
0xXX	Number of subevents. Range: 0x00 to 0x80

Subevent_Interval: *Size: 1 octet*

Value	Parameter Description
N=0xXX	Interval between subevents. Range: 0x06 to 0xFF Time = N × 1.25 ms Time Range: 7.5 ms to 318.75 ms



Response_Slot_Delay:

Size: 1 octet

Value	Parameter Description
0x00	No response slots
N=0xXX	Time between the advertising packet in a subevent and the first response slot. Range: 0x01 to 0xFE Time = N × 1.25 ms Time Range: 1.25 ms to 317.5 ms

Response_Slot_Spacing:

Size: 1 octet

Value	Parameter Description
0x00	No response slots
N=0xXX	Time between response slots. Range: 0x02 to 0xFF Time = N × 0.125 ms Time Range: 0.25 ms to 31.875 ms

Num_Response_Slots:

Size: 1 octet

Value	Parameter Description
0x00	No response slots
0xXX	Number of subevent response slots. Range: 0x01 to 0xFF

Return parameters:

Status:

Size: 1 octet

Value	Parameter Description
0x00	HCI_LE_Set_Periodic_Advertising_Parameters command succeeded
0x01 to 0xFF	HCI_LE_Set_Periodic_Advertising_Parameters command failed. See [Vol 1] Part F, Controller Error Codes for a list of error codes and descriptions.

Advertising_Handle:

Size: 1 octet

Value	Parameter Description
0xXX	Used to identify a periodic advertising train Range: 0x00 to 0xEF

**Event(s) generated (unless masked away):**

When the HCI_LE_Set_Periodic_Advertising_Parameters command has completed, an HCI_Command_Complete event shall be generated.



7.8.62 LE Set Periodic Advertising Data command

Command	OCF	Command Parameters	Return Parameters
HCI_LE_Set_Periodic_Advertising_Data	0x003F	Advertising_Handle, Operation, Advertising_Data_Length, Advertising_Data	Status

Description:

The HCI_LE_Set_Periodic_Advertising_Data command is used to set the data used in periodic advertising PDUs. This command may be issued at any time after the advertising set identified by the Advertising_Handle parameter has been configured for periodic advertising using the HCI_LE_Set_Periodic_Advertising_Parameters command (see [Section 7.8.61](#)), regardless of whether periodic advertising in that set is enabled or disabled. If the advertising set has not been configured for periodic advertising, then the Controller shall return the error code *Command Disallowed* (0x0C).

If periodic advertising is currently enabled for the specified advertising set, the Controller shall use the new data in subsequent periodic advertising events for this advertising set. If a periodic advertising event is in progress when this command is issued, the Controller may use the old or new data for that event.

If periodic advertising is currently disabled for the specified advertising set, the data shall be kept by the Controller and used once periodic advertising is enabled for that set. The data shall be discarded when the advertising set is removed.

Only the significant part of the periodic advertising data should be transmitted in the advertising packets as defined in [\[Vol 3\] Part C, Section 11](#).

The Host may set the periodic advertising data in one or more operations using the Operation parameter in the command. If the combined length of the data exceeds the capacity of the advertising set identified by the Advertising_Handle parameter (see [Section 7.8.57](#) LE Read Maximum Advertising Data Length command) or the amount of memory currently available, all the data shall be discarded and the Controller shall return the error code *Memory Capacity Exceeded* (0x07).

If the combined length of the data is greater than the maximum that the Controller can transmit within the current periodic advertising interval (if periodic advertising is currently enabled) or the Periodic_Advertising_Interval_Max for the advertising set (if currently disabled), all the data shall be discarded and the Controller shall return the error code *Packet Too Long* (0x45). If advertising on the LE Coded PHY, the S=8 coding shall be assumed unless the current advertising parameters require the use of S=2 for an advertising physical channel, in



which case the S=2 coding shall be assumed for that advertising physical channel.

If Operation indicates the start of new data (values 0x01 or 0x03), then any existing partial or complete data shall be discarded.

If Operation is 0x04, then the behavior is the same as if the current periodic advertising data had been sent again; this can be used to cause the Advertising DID value to be updated (see [Vol 6] Part B, Section 4.4.2.11).

If Operation is 0x04 and:

- periodic advertising is currently disabled for the advertising set;
- the periodic advertising set contains no data; or
- Advertising_Data_Length is not zero;

then the Controller shall return the error code *Invalid HCI Command Parameters* (0x12).

If Operation is not 0x03 or 0x04 and Advertising_Data_Length is zero, then the Controller shall return the error code *Invalid HCI Command Parameters* (0x12).

If the periodic advertising data is discarded by the command or the combined length of the data after the command completes is zero, the advertising set will have no periodic advertising data.

If periodic advertising is currently enabled for the specified advertising set and Operation does not have the value 0x03 or 0x04, then the Controller shall return the error code *Command Disallowed* (0x0C).

If the advertising set corresponding to the Advertising_Handle parameter does not exist, then the Controller shall return the error code *Unknown Advertising Identifier* (0x42).

Command parameters:

Advertising_Handle: *Size: 1 octet*

Value	Parameter Description
0xXX	Used to identify an advertising set Range: 0x00 to 0xEF

Operation: *Size: 1 octet*

Value	Parameter Description
0x00	Intermediate fragment of fragmented periodic advertising data
0x01	First fragment of fragmented periodic advertising data
0x02	Last fragment of fragmented periodic advertising data



Value	Parameter Description
0x03	Complete periodic advertising data
0x04	Unchanged data (just update the Advertising DID of the periodic advertising)
All other values	Reserved for future use

*Advertising_Data_Length:**Size: 1 octet*

Value	Parameter Description
0 to 252	The number of octets in the Advertising Data parameter
All other values	Reserved for future use

*Advertising_Data:**Size: Advertising_Data_Length octets*

Parameter Description
Periodic advertising data formatted as defined in [Vol 3] Part C, Section 11 . Note: This parameter has a variable length.

Return parameters:*Status:**Size: 1 octet*

Value	Parameter Description
0x00	HCI_LE_Set_Periodic_Advertising_Data command succeeded
0x01 to 0xFF	HCI_LE_Set_Periodic_Advertising_Data command failed. See [Vol 1] Part F, Controller Error Codes for a list of error codes and descriptions.

Event(s) generated (unless masked away):

When the HCI_LE_Set_Periodic_Advertising_Data command has completed, an HCI_Command_Complete event shall be generated.



7.8.63 LE Set Periodic Advertising Enable command

Command	OCF	Command Parameters	Return Parameters
HCI_LE_Set_Periodic_Advertising_ - Enable	0x0040	Enable, Advertising_Handle	Status

Description:

The HCI_LE_Set_Periodic_Advertising_Enable command is used to request the Controller to enable or disable the periodic advertising for the advertising set specified by the Advertising_Handle parameter (ordinary advertising is not affected).

If the advertising set is not currently enabled (see the HCI_LE_Set_Extended_Advertising_Enable command), the periodic advertising is not started until the advertising set is enabled. Once the advertising set has been enabled, the Controller shall continue periodic advertising until the Host issues an HCI_LE_Set_Periodic_Advertising_Enable command with bit 0 of Enable set to 0 (periodic advertising is disabled). Disabling the advertising set has no effect on the periodic advertising once the advertising set has been enabled.

The Controller manages the timing of advertisements in accordance with the advertising parameters given in the HCI_LE_Set_Periodic_Advertising_Parameters command.

If the advertising set corresponding to the Advertising_Handle parameter does not exist, the Controller shall return the error code *Unknown Advertising Identifier* (0x42).

If bit 0 of Enable is set to 1 (periodic advertising is enabled) and the advertising set contains partial periodic advertising data, the Controller shall return the error code *Command Disallowed* (0x0C).

If bit 0 of Enable is set to 1 and the Host has not issued the HCI_LE_Set_Periodic_Advertising_Parameters command for the advertising set, the Controller shall either use vendor-specified parameters or return the error code *Command Disallowed* (0x0C).

If bit 0 of Enable is set to 1 and the length of the periodic advertising data is greater than the maximum that the Controller can transmit within the chosen periodic advertising interval, the Controller shall return the error code *Packet Too Long* (0x45). If advertising on the LE Coded PHY, the S=8 coding shall be assumed unless the current advertising parameters require the use of S=2 for an advertising physical channel, in which case the S=2 coding shall be assumed for that advertising physical channel.



If bit 0 of Enable is set to 1 and the advertising set identified by the Advertising_Handle specified scannable, connectable, legacy, or anonymous advertising, the Controller shall return the error code *Command Disallowed* (0x0C).

If bit 0 of Enable is set to 0 and the Controller supports the Periodic Advertising ADI Support feature, then the Controller shall ignore bit 1.

If bit 1 of Enable is set to 1 and the Controller does not support the Periodic Advertising ADI Support feature, the Controller shall return an error which should use the error code *Unsupported Feature or Parameter Value* (0x11).

Enabling periodic advertising when it is already enabled can cause the random address to change. Disabling periodic advertising when it is already disabled has no effect.

Command parameters:

Enable:

Size: 1 octet

Bit Number	Parameter Description
0	Enable periodic advertising
1	Include the ADI field in AUX_SYNC_IND PDUs
All other bits	Reserved for future use

Advertising_Handle:

Size: 1 octet

Value	Parameter Description
0xXX	Used to identify an advertising set Range: 0x00 to 0xEF

Return parameters:

Status:

Size: 1 octet

Value	Parameter Description
0x00	HCI_LE_Set_Periodic_Advertising_Enable command succeeded
0x01 to 0xFF	HCI_LE_Set_Periodic_Advertising_Enable command failed. See [Vol 1] Part F, Controller Error Codes for a list of error codes and descriptions.

Event(s) generated (unless masked away):

When the HCI_LE_Set_Periodic_Advertising_Enable command has completed, an HCI_Command_Complete event shall be generated.



7.8.64 LE Set Extended Scan Parameters command

Command	OCF	Command Parameters	Return Parameters
HCI_LE_Set_Extended_Scan_Parameters	0x0041	Own_Address_Type, Scanning_Filter_Policy, Scanning_PHYs, Scan_Type[i], Scan_Interval[i], Scan_Window[i]	Status

Description:

The HCI_LE_Set_Extended_Scan_Parameters command is used to set the extended scan parameters to be used on the advertising physical channels.

The Scanning_PHYs parameter indicates the PHY(s) on which the advertising packets should be received on the primary advertising physical channel. The Host may enable one or more scanning PHYs. If the Host specifies a PHY that is not supported by the Controller, including a bit that is reserved for future use, it should return the error code *Unsupported Feature or Parameter Value* (0x11). The Scan_Type[i], Scan_Interval[i], and Scan_Window[i] parameters array elements are ordered in the same order as the set bits in the Scanning_PHY parameter, starting from bit 0. The number of array elements is determined by the number of bits set in the Scanning_PHY parameter.

The Scan_Type[i] parameter specifies the type of scan to perform.

The Scan_Interval[i] and Scan_Window[i] parameters are recommendations from the Host on how long (Scan_Window[i]) and how frequently (Scan_Interval[i]) the Controller should scan (see [\[Vol 6\] Part B, Section 4.4.3](#)); however the frequency and length of the scan is implementation specific. If the requested scan cannot be supported by the implementation, the Controller shall return the error code *Invalid HCI Command Parameters* (0x12).

The Own_Address_Type parameter indicates the type of address being used in the scan request packets.

If the Host issues this command when scanning is enabled in the Controller, the Controller shall return the error code *Command Disallowed* (0x0C).



Command parameters:

Own_Address_Type:

Size: 1 octet

Value	Parameter Description
0x00	Public Device Address
0x01	Random Device Address
0x02	Controller generates the Resolvable Private Address based on the local IRK from the resolving list. If the resolving list contains no matching entry, then use the public address.
0x03	Controller generates the Resolvable Private Address based on the local IRK from the resolving list. If the resolving list contains no matching entry, then use the random address from LE_Set_Random_Address.
All other values	Reserved for future use

Scanning_Filter_Policy:

Size: 1 octet

Value	Parameter Description
0x00	Basic unfiltered scanning filter policy
0x01	Basic filtered scanning filter policy
0x02	Extended unfiltered scanning filter policy
0x03	Extended filtered scanning filter policy
All other values	Reserved for future use

Scanning_PHYs:

Size: 1 octet

Bit number	Parameter Description
0	Scan advertisements on the LE 1M PHY
2	Scan advertisements on the LE Coded PHY
All other bits	Reserved for future use

Scan_Type[i]:

Size: Bits set in Scanning_PHYs × 1 octet

Value	Parameter Description
0x00	Passive Scanning. No scan request PDUs shall be sent.
0x01	Active Scanning. Scan request PDUs may be sent.
All other values	Reserved for future use



Scan_Interval[i]: *Size: Bits set in Scanning_PHYs × 2 octets*

Value	Parameter Description
N = 0xXXXX	Time interval from when the Controller started its last scan until it begins the subsequent scan on the primary advertising physical channel. Range: 0x0004 to 0xFFFF Time = N × 0.625 ms Time Range: 2.5 ms to 40.959375 s

Scan_Window[i]: *Size: Bits set in Scanning_PHYs × 2 octets*

Value	Parameter Description
N = 0xXXXX	Duration of the scan on the primary advertising physical channel. Range: 0x0004 to 0xFFFF Time = N × 0.625 ms Time Range: 2.5 ms to 40.959375 s

Return parameters:

Status: *Size: 1 octet*

Value	Parameter Description
0x00	HCI_LE_Set_Extended_Scan_Parameters command succeeded
0x01 to 0xFF	HCI_LE_Set_Extended_Scan_Parameters command failed. See [Vol 1] Part F, Controller Error Codes for a list of error codes and descriptions.

Event(s) generated (unless masked away):

When the HCI_LE_Set_Extended_Scan_Parameters command has completed, an HCI_Command_Complete event shall be generated.



7.8.65 LE Set Extended Scan Enable command

Command	OCF	Command Parameters	Return Parameters
HCI_LE_Set_Extended_Scan_Enable	0x0042	Enable, Filter_Duplicates, Duration, Period	Status

Description:

The HCI_LE_Set_Extended_Scan_Enable command is used to enable or disable scanning for both legacy and extended advertising PDUs.

The Enable parameter determines whether scanning is enabled or disabled. If it is set to 0x00, the remaining parameters shall be ignored.

If Enable is set to 0x01 and the Host has not issued the HCI_LE_Set_Extended_Scan_Parameters command, the Controller shall either use vendor-specified parameters or return the error code *Command Disallowed* (0x0C).

The Filter_Duplicates parameter controls whether the Link Layer should filter out duplicate advertising reports (filtering duplicates enabled) to the Host or if the Link Layer should generate advertising reports for each packet received (filtering duplicates disabled). See [\[Vol 6\] Part B, Section 4.4.3.5](#).

If the Filter_Duplicates parameter is set to 0x00, all advertisements received from advertisers shall be sent to the Host in advertising report events.

If the Filter_Duplicates parameter is set to 0x01, duplicate advertisements should not be sent to the Host in advertising report events until scanning is disabled.

If the Filter_Duplicates parameter is set to 0x02, duplicate advertisements in a single scan period should not be sent to the Host in advertising report events; this setting shall only be used if both Period and Duration are non-zero. If Filter_Duplicates is set to 0x02 and either Period or Duration to zero, the Controller shall return the error code *Invalid HCI Command Parameters* (0x12).

If the Duration parameter is zero or both the Duration parameter and Period parameter are non-zero, the Controller shall continue scanning until scanning is disabled by the Host issuing an HCI_LE_Set_Extended_Scan_Enable command with the Enable parameter set to 0x00 (Scanning is disabled). The Period parameter shall be ignored when the Duration parameter is zero.

If the Duration parameter is non-zero and the Period parameter is zero, the Controller shall continue scanning until the duration specified in the Duration parameter has expired.



If both the Duration and Period parameters are non-zero and the Duration is greater than or equal to the Period, the Controller shall return the error code *Invalid HCI Command Parameters (0x12)*.

When the Duration and Period parameters are non-zero, the Controller shall scan for the duration of the Duration parameter within a scan period specified by the Period parameter. After the scan period has expired, a new scan period shall begin and scanning shall begin again for the duration specified. The scan periods continue until the Host disables scanning.

If the HCI_LE_Set_Extended_Scan_Enable command with Enable set to 0x01 is sent while scanning is already enabled, the timers used for duration and period are reset to the new parameter values and a new scan period is started. Any change to the Filter_Duplicates setting or the random address shall take effect.

Disabling scanning when it is disabled has no effect.

Note: The duration of a scan period refers to the time spent scanning on both the primary and secondary advertising physical channels. However, expiry of the duration does not prevent the Link Layer from scanning for and receiving auxiliary packets of received advertisements.

If Enable is set to 0x01, the scanning parameters' Own_Address_Type parameter is set to 0x00 or 0x02, and the device does not have a public address, the Controller should return an error code which should be *Invalid HCI Command Parameters (0x12)*.

If Enable is set to 0x01, the scanning parameters' Own_Address_Type parameter is set to 0x01 or 0x03, and the random address for the device has not been initialized using the HCI_LE_Set_Random_Address command, the Controller shall return the error code *Invalid HCI Command Parameters (0x12)*.

Command parameters:

Enable: *Size: 1 octet*

Value	Parameter Description
0x00	Scanning disabled
0x01	Scanning enabled
All other values	Reserved for future use

Filter_Duplicates: *Size: 1 octet*

Value	Parameter Description
0x00	Duplicate filtering disabled
0x01	Duplicate filtering enabled



Value	Parameter Description
0x02	Duplicate filtering enabled, reset for each scan period
All other values	Reserved for future use

Duration:

Size: 2 octets

Value	Parameter Description
0x0000	Scan continuously until explicitly disable
N = 0xXXXX	Scan duration Range: 0x0001 to 0xFFFF Time = N × 10 ms Time Range: 10 ms to 655.35 s

Period:

Size: 2 octets

Value	Parameter Description
0x0000	Scan continuously
N = 0xXXXX	Time interval from when the Controller started its last Scan_Duration until it begins the subsequent Scan_Duration. Range: 0x0001 to 0xFFFF Time = N × 1.28 sec Time Range: 1.28 s to 83,884.8 s

Return parameters:

Status:

Size: 1 octet

Value	Parameter Description
0x00	HCI_LE_Set_Extended_Scan_Enable command succeeded
0x01 to 0xFF	HCI_LE_Set_Extended_Scan_Enable command failed. See [Vol 1] Part F, Controller Error Codes for a list of error codes and descriptions.

Event(s) generated (unless masked away):

When the HCI_LE_Set_Extended_Scan_Enable command has completed, an HCI_Command_Complete event shall be generated.

Zero or more LE Extended Advertising Reports are generated by the Controller based on any advertising packets received and the duplicate filtering in effect. More than one advertising packet may be reported in each HCI_LE_Extended_Advertising_Report event.

At the end of a single scan (Duration non-zero but Period zero), an HCI_LE_Scan_Timeout event shall be generated.



7.8.66 LE Extended Create Connection command

Command	OCF	Command Parameters	Return Parameters
HCI_LE_Extended_Create_Connection [v2]	0x85	Advertising_Handle, Subevent, Initiator_Filter_Policy, Own_Address_Type, Peer_Address_Type, Peer_Address, Initiating_PHYs, Scan_Interval[i] Scan_Window[i] Connection_Interval_Min[i], Connection_Interval_Max[i], Max_Latency[i], Supervision_Timeout[i], Min_CE_Length[i], Max_CE_Length[i]	<i>none</i>
HCI_LE_Extended_Create_Connection [v1]	0x0043	Initiator_Filter_Policy, Own_Address_Type, Peer_Address_Type, Peer_Address, Initiating_PHYs, Scan_Interval[i], Scan_Window[i], Connection_Interval_Min[i], Connection_Interval_Max[i], Max_Latency[i], Supervision_Timeout[i], Min_CE_Length[i], Max_CE_Length[i]	<i>none</i>

Description:

The HCI_LE_Extended_Create_Connection command is used to create an ACL connection, with the local device in the Central role, to a connectable advertiser. The command is also used to create an ACL connection between a periodic advertiser and a synchronized device.

If a connection is created with the local device in the Peripheral role while this command is pending, then this command remains pending.



The Advertising_Handle parameter is used to identify the periodic advertising train.

The Subevent parameter is used to identify the subevent where a connection request shall be initiated from a periodic advertising train.

The Advertising_Handle and Subevent parameters shall be set to 0xFF if these parameters are not used.

If the Advertising_Handle and Subevent parameters are set to valid values, then the Initiator_Filter_Policy, Initiating_PHYs, Scan_Interval[i], and Scan_Window[i] parameters shall be ignored.

The Initiator_Filter_Policy parameter is used to determine whether the Filter Accept List is used. If the Filter Accept List is not used, the Peer_Address_Type and the Peer_Address parameters specify the address type and address of the advertising device to connect to.

The Own_Address_Type parameter indicates the type of address being used in the connection request packets.

The Peer_Address_Type parameter indicates the type of address used in the connectable advertisement sent by the peer.

The Peer_Address parameter indicates the Peer's Public Device Address, Random (static) Device Address, Non-Resolvable Private Address, or Resolvable Private Address depending on the Peer_Address_Type parameter.

The Initiating_PHYs parameter indicates the PHY(s) on which the advertising packets should be received on the primary advertising physical channel and the PHYs for which connection parameters have been specified. The Host may enable one or more initiating PHYs. If the Host specifies a PHY that is not supported by the Controller, including a bit that is reserved for future use, the latter should return the error code *Unsupported Feature or Parameter Value* (0x11). The array elements of the arrayed parameters are ordered in the same order as the set bits in the Initiating_PHYs parameter, starting from bit 0. The number of array elements is determined by the number of bits set in the Initiating_PHYs parameter. When a connectable advertisement is received and a connection request is sent on one PHY, scanning on any other PHYs is terminated.

The Scan_Interval[i] and Scan_Window[i] parameters are recommendations from the Host on how long (Scan_Window[i]) and how frequently (Scan_Interval[i]) the Controller should scan (see [\[Vol 6\] Part B, Section 4.5.3](#)); however the frequency and length of the scan is implementation specific. If the requested scan cannot be supported by the implementation, the Controller shall return the error code *Invalid HCI Command Parameters* (0x12). If bit 1 is set in Initiating_PHYs, the values for the LE 2M PHY shall be ignored.



The `Connection_Interval_Min[i]` and `Connection_Interval_Max[i]` parameters define the minimum and maximum allowed connection interval. The `Connection_Interval_Min[i]` parameter shall not be greater than the `Connection_Interval_Max[i]` parameter.

The `Max_Latency[i]` parameter defines the maximum allowed Peripheral latency (see [Vol 6] Part B, Section 4.5.1).

The `Supervision_Timeout[i]` parameter defines the link supervision timeout for the connection. The `Supervision_Timeout[i]` in milliseconds shall be larger than $(1 + \text{Max_Latency}[i]) \times \text{Connection_Interval_Max}[i] \times 2$, where `Connection_Interval_Max[i]` is given in milliseconds (see [Vol 6] Part B, Section 4.5.2).

The `Min_CE_Length[i]` and `Max_CE_Length[i]` parameters provide the Controller with the expected minimum and maximum length of the connection events. The `Min_CE_Length[i]` parameter shall be less than or equal to the `Max_CE_Length[i]` parameter. The Controller is not required to use these values.

Where the connection is made on a PHY whose bit is not set in the `Initiating_PHYs` parameter, the Controller shall use the `Connection_Interval_Min[i]`, `Connection_Interval_Max[i]`, `Max_Latency[i]`, `Supervision_Timeout[i]`, `Min_CE_Length[i]`, and `Max_CE_Length[i]` parameters for an implementation-chosen PHY whose bit is set in the `Initiating_PHYs` parameter.

If the Host issues this command when another `HCI_LE_Extended_Create_Connection` command is pending in the Controller, the Controller shall return the error code *Command Disallowed* (0x0C).

If the `Own_Address_Type` parameter is set to 0x00 and the device does not have a public address, the Controller should return an error code which should be *Invalid HCI Command Parameters* (0x12).

If the `Own_Address_Type` parameter is set to 0x01 and the random address for the device has not been initialized using the `HCI_LE_Set_Random_Address` command, the Controller shall return the error code *Invalid HCI Command Parameters* (0x12).

If the `Own_Address_Type` parameter is set to 0x02, the `Initiator_Filter_Policy` parameter is set to 0x00, the Controller's resolving list did not contain a matching entry, and the device does not have a public address, the Controller should return an error code which should be *Invalid HCI Command Parameters* (0x12).

If the `Own_Address_Type` parameter is set to 0x02, the `Initiator_Filter_Policy` parameter is set to 0x01, and the device does not have a public address, the Controller should return an error code which should be *Invalid HCI Command Parameters* (0x12).



If the `Own_Address_Type` parameter is set to 0x03, the `Initiator_Filter_Policy` parameter is set to 0x00, the Controller's resolving list did not contain a matching entry, and the random address for the device has not been initialized using the `HCI_LE_Set_Random_Address` command, the Controller shall return the error code *Invalid HCI Command Parameters* (0x12).

If the `Own_Address_Type` parameter is set to 0x03, the `Initiator_Filter_Policy` parameter is set to 0x01, and the random address for the device has not been initialized using the `HCI_LE_Set_Random_Address` command, the Controller shall return the error code *Invalid HCI Command Parameters* (0x12).

If the `Initiating_PHYs` parameter does not have at least one bit set for a PHY allowed for scanning on the primary advertising physical channel, the Controller shall return the error code *Invalid HCI Command Parameters* (0x12).

If the Host issues this command and the Controller has insufficient resources to handle any more connections, the Controller shall return the error code *Connection Rejected due to Limited Resources* (0x0D).

Command parameters:

Advertising_Handle: *Size: 1 octet*

Value	Parameter Description
0xXX	Advertising_Handle identifying the periodic advertising train Range: 0x00 to 0xEF or 0xFF

Subevent: *Size: 1 octet*

Value	Parameter Description
0xXX	Subevent where the connection request is to be sent. Range: 0x00 to 0x7F or 0xFF

Initiator_Filter_Policy: *Size: 1 octet*

Value	Parameter Description
0x00	Filter Accept List is not used to determine which advertiser to connect to. Peer_Address_Type and Peer_Address shall be used.
0x01	Filter Accept List is used to determine which advertiser to connect to. Peer_Address_Type and Peer_Address shall be ignored.
All other values	Reserved for future use



Own_Address_Type:

Size: 1 octet

Value	Parameter Description
0x00	Public Device Address
0x01	Random Device Address
0x02	Controller generates the Resolvable Private Address based on the local IRK from the resolving list. If the resolving list contains no matching entry, then use the public address.
0x03	Controller generates the Resolvable Private Address based on the local IRK from the resolving list. If the resolving list contains no matching entry, then use the random address from the most recent successful HCI_LE_Set_Random_Address command.
All other values	Reserved for future use

Peer_Address_Type:

Size: 1 octet

Value	Parameter Description
0x00	Public Device Address or Public Identity Address
0x01	Random Device Address or Random (static) Identity Address
All other values	Reserved for future use

Peer_Address:

Size: 6 octets

Value	Parameter Description
0xFFFFFFFFXXXX	Public Device Address, Random Device Address, Public Identity Address, or Random (static) Identity Address of the device to be connected.

Initiating_PHYs:

Size: 1 octet

Bit number	Parameter Description
0	Scan connectable advertisements on the LE 1M PHY. Connection parameters for the LE 1M PHY are provided.
1	Connection parameters for the LE 2M PHY are provided.
2	Scan connectable advertisements on the LE Coded PHY. Connection parameters for the LE Coded PHY are provided.
All other bits	Reserved for future use



Scan_Interval[i]: *Size: Bits set in Initiating_PHYs × 2 octets*

Value	Parameter Description
N = 0xXXXX	Time interval from when the Controller started its last scan until it begins the subsequent scan on the primary advertising physical channel. Range: 0x0004 to 0xFFFF Time = N × 0.625 ms Time Range: 2.5 ms to 40.959375 s

Scan_Window[i]: *Size: Bits set in Initiating_PHYs × 2 octets*

Value	Parameter Description
N = 0xXXXX	Duration of the scan on the primary advertising physical channel. Range: 0x0004 to 0xFFFF Time = N × 0.625 ms Time Range: 2.5 ms to 40.959375 s

Connection_Interval_Min[i]: *Size: Bits set in Initiating_PHYs × 2 octets*

Value	Parameter Description
N = 0xXXXX	Minimum value for the connection interval. This shall be less than or equal to Connection_Interval_Max[i]. Range: 0x0006 to 0x0C80 Time = N × 1.25 ms Time Range: 7.5 ms to 4 s
All other values	Reserved for future use

Connection_Interval_Max[i]: *Size: Bits set in Initiating_PHYs × 2 octets*

Value	Parameter Description
N = 0xXXXX	Maximum value for the connection interval. This shall be greater than or equal to Connection_Interval_Min[i]. Range: 0x0006 to 0x0C80 Time = N × 1.25 ms Time Range: 7.5 ms to 4 s
All other values	Reserved for future use

Max_Latency[i]: *Size: Bits set in Initiating_PHYs × 2 octets*

Value	Parameter Description
0xXXXX	Maximum Peripheral latency for the connection in number of connection events. Range: 0x0000 to 0x01F3
All other values	Reserved for future use



Supervision_Timeout[i]: *Size: Bits set in Initiating_PHYs × 2 octets*

Value	Parameter Description
N = 0xXXXX	Supervision timeout for the LE Link. (See [Vol 6] Part B, Section 4.5.2) Range: 0x000A to 0x0C80 Time = N × 10 ms Time Range: 100 ms to 32 s
All other values	Reserved for future use

Min_CE_Length[i]: *Size: Bits set in Initiating_PHYs × 2 octets*

Value	Parameter Description
N = 0xXXXX	The minimum length of connection event recommended for this LE connection. Range: 0x0000 to 0xFFFF Time = N × 0.625 ms

Max_CE_Length[i]: *Size: Bits set in Initiating_PHYs × 2 octets*

Value	Parameter Description
N = 0xXXXX	The maximum length of connection event recommended for this LE connection. Range: 0x0000 to 0xFFFF Time = N × 0.625 ms

Return parameters:

None.

Event(s) generated (unless masked away):

When the Controller receives the HCI_LE_Extended_Create_Connection command, the Controller sends the HCI_Command_Status event to the Host. An HCI_LE_Enhanced_Connection_Complete event shall be generated when a connection is created because of this command or the connection creation procedure is cancelled; until the event is generated, the command is considered pending. If a connection creation is discarded, then the error code *Connection Failed to be Established / Synchronization Timeout* (0x3E) shall be used. If a connection is created, this event shall be immediately followed by an HCI_LE_Channel_Selection_Algorithm event.



7.8.67 LE Periodic Advertising Create Sync command

Command	OCF	Command Parameters	Return Parameters
HCI_LE_Periodic_Advertising_ - Create_Sync	0x0044	Options, Advertising_SID, Advertiser_Address_Type, Advertiser_Address, Skip, Sync_Timeout, Sync_CTE_Type	<i>none</i>

Description:

The HCI_LE_Periodic_Advertising_Create_Sync command is used to synchronize with a periodic advertising train from an advertiser and begin receiving periodic advertising packets.

This command may be issued whether or not scanning is enabled and scanning may be enabled and disabled (see the [LE Set Extended Scan Enable command](#)) while this command is pending. However, synchronization can only occur when scanning is enabled. While scanning is disabled, no attempt to synchronize will take place.

The Options parameter is used to determine whether the Periodic Advertiser List is used, whether HCI_LE_Periodic_Advertising_Report events for this periodic advertising train are initially enabled or disabled, and whether duplicate reports are filtered or not. If the Periodic Advertiser List is not used, the Advertising_SID, Advertiser Address_Type, and Advertiser Address parameters specify the periodic advertising device to listen to; otherwise they shall be ignored.

The Advertising_SID parameter, if used, specifies the value that shall match the Advertising SID subfield in the ADI field of the received advertisement for it to be used to synchronize.

The Skip parameter specifies the maximum number of consecutive periodic advertising events that the receiver may skip after successfully receiving a periodic advertising packet.

The Sync_Timeout parameter specifies the maximum permitted time between successful receives. If this time is exceeded, synchronization is lost.

The Sync_CTE_Type parameter specifies whether to only synchronize to periodic advertising with certain types of Constant Tone Extension (a value of 0 indicates that the presence or absence of a Constant Tone Extension is



irrelevant). If the periodic advertising has the wrong type of Constant Tone Extension then:

- If bit 0 of Options is set, the Controller shall ignore this address and SID and continue to search for other periodic advertisements.
- Otherwise, the Controller shall cancel the synchronization with the error code *Unsupported Remote Feature* (0x1A).

If the periodic advertiser changes the type of Constant Tone Extension after the scanner has synchronized with the periodic advertising, the scanner's Link Layer shall remain synchronized.

If the Host sets all the non-reserved bits of the Sync_CTE_Type parameter to 1, the Controller shall return the error code *Command Disallowed* (0x0C).

Irrespective of the value of the Skip parameter, the Controller should stop skipping packets before the Sync_Timeout would be exceeded.

If the Host issues this command when another HCI_LE_Periodic_Advertising_Create_Sync command is pending, the Controller shall return the error code *Command Disallowed* (0x0C).

If the Host issues this command with bit 0 of Options not set and with Advertising_SID, Advertiser_Address_Type, and Advertiser_Address the same as those of a periodic advertising train that the Controller is already synchronized to, the Controller shall return the error code *Connection Already Exists* (0x0B).

If the Host issues this command and the Controller has insufficient resources to handle any more periodic advertising trains, the Controller shall return the error code *Memory Capacity Exceeded* (0x07).

If bit 1 of Options is set to 1 and the Controller supports the Periodic Advertising ADI Support feature, then the Controller shall ignore bit 2.

If bit 1 of Options is set to 0, bit 2 is set to 1, and the Controller does not support the Periodic Advertising ADI Support feature, then the Controller shall return an error which should use the error code *Unsupported Feature or Parameter Value* (0x11).

If bit 1 of the Options parameter is set to 1 and the Controller does not support the HCI_LE_Set_Periodic_Advertising_Receive_Enable command, the Controller shall return the error code *Connection Failed to be Established / Synchronization Timeout* (0x3E).



Command parameters:

Options:

Size: 1 octet

Bit Number	Parameter Description
0	0: Use the Advertising_SID, Advertiser_Address_Type, and Advertiser_Address parameters to determine which advertiser to listen to 1: Use the Periodic Advertiser List to determine which advertiser to listen to.
1	0: Reporting initially enabled 1: Reporting initially disabled
2	0: Duplicate filtering initially disabled 1: Duplicate filtering initially enabled
All other bits	Reserved for future use

Advertising_SID:

Size: 1 octet

Value	Parameter Description
0x00 to 0x0F	Advertising SID subfield in the ADI field used to identify the Periodic Advertising
All other values	Reserved for future use

Advertiser_Address_Type:

Size: 1 octet

Value	Parameter Description
0x00	Public Device Address or Public Identity Address
0x01	Random Device Address or Random (static) Identity Address
All other values	Reserved for future use

Advertiser_Address:

Size: 6 octets

Value	Parameter Description
0xFFFFFFFFXXXX	Public Device Address, Random Device Address, Public Identity Address, or Random (static) Identity Address of the advertiser

Skip:

Size: 2 octets

Value	Parameter Description
0xFFFF	The maximum number of periodic advertising events that can be skipped after a successful receive Range: 0x0000 to 0x01F3



Sync_Timeout:

Size: 2 octets

Value	Parameter Description
N = 0xXXXX	Synchronization timeout for the periodic advertising train Range: 0x000A to 0x4000 Time = N × 10 ms Time Range: 100 ms to 163.84 s

Sync_CTE_Type:

Size: 1 octet

Bit Number	Parameter Description
0	Do not sync to packets with an AoA Constant Tone Extension
1	Do not sync to packets with an AoD Constant Tone Extension with 1 μs slots
2	Do not sync to packets with an AoD Constant Tone Extension with 2 μs slots
3	Do not sync to packets with a type 3 Constant Tone Extension (currently reserved for future use)
4	Do not sync to packets without a Constant Tone Extension
All other bits	Reserved for future use

Return parameters:

None.

Event(s) generated (unless masked away):

When the HCI_LE_Periodic_Advertising_Create_Sync command has been received, the Controller sends the HCI_Command_Status event to the Host. An HCI_LE_Periodic_Advertising_Sync_Established event shall be generated when the Controller starts receiving periodic advertising packets.

When the Controller receives periodic advertising packets then, if reporting is enabled, it sends HCI_LE_Periodic_Advertising_Report events to the Host.

Note: The HCI_LE_Periodic_Advertising_Sync_Established event can be sent as a result of synchronization being canceled by an HCI_LE_Periodic_Advertising_Create_Sync_Cancel command.



7.8.68 LE Periodic Advertising Create Sync Cancel command

Command	OCF	Command Parameters	Return Parameters
HCI_LE_Periodic_Advertising_Create_Sync_Cancel	0x0045	none	Status

Description:

The HCI_LE_Periodic_Advertising_Create_Sync_Cancel command is used to cancel the HCI_LE_Periodic_Advertising_Create_Sync command while it is pending.

If the Host issues this command while no HCI_LE_Periodic_Advertising_Create_Sync command is pending, the Controller shall return the error code *Command Disallowed* (0x0C).

Command parameters:

None.

Return parameters:

Status:

Size: 1 octet

Value	Parameter Description
0x00	HCI_LE_Periodic_Advertising_Create_Sync_Cancel command succeeded
0x01 to 0xFF	HCI_LE_Periodic_Advertising_Create_Sync_Cancel command failed. See [Vol 1] Part F, Controller Error Codes for a list of error codes and descriptions.

Event(s) generated (unless masked away):

When the HCI_LE_Periodic_Advertising_Create_Sync_Cancel command has completed, the Controller sends an HCI_Command_Complete event to the Host.

After the HCI_Command_Complete is sent and if the cancellation was successful, the Controller sends an HCI_LE_Periodic_Advertising_Sync_Established event to the Host with the error code *Operation Cancelled by Host* (0x44).



7.8.69 LE Periodic Advertising Terminate Sync command

Command	OCF	Command Parameters	Return Parameters
HCI_LE_Periodic_Advertising_Terminate_Sync	0x0046	Sync_Handle	Status

Description:

The HCI_LE_Periodic_Advertising_Terminate_Sync command is used to stop reception of the periodic advertising train identified by the Sync_Handle parameter.

If the periodic advertising train corresponding to the Sync_Handle parameter does not exist, then the Controller shall return the error code *Unknown Advertising Identifier* (0x42).

Following successful completion of this command the Sync_Handle is destroyed.

Command parameters:

Sync_Handle: *Size: 2 octets (12 bits meaningful)*

Value	Parameter Description
0xXXXX	Sync_Handle identifying the periodic advertising train Range: 0x0000 to 0x0EFF

Return parameters:

Status: *Size: 1 octet*

Value	Parameter Description
0x00	HCI_LE_Periodic_Advertising_Terminate_Sync command succeeded
0x01 to 0xFF	HCI_LE_Periodic_Advertising_Terminate_Sync command failed. See [Vol 1] Part F, Controller Error Codes for a list of error codes and descriptions.

Event(s) generated (unless masked away):

When the HCI_LE_Periodic_Advertising_Terminate_Sync command has completed, an HCI_Command_Complete event shall be generated.



7.8.70 LE Add Device To Periodic Advertiser List command

Command	OCF	Command Parameters	Return Parameters
HCI_LE_Add_Device_To_Periodic_Advertiser_List	0x0047	Advertiser_Address_Type, Advertiser_Address, Advertising_SID	Status

Description:

The HCI_LE_Add_Device_To_Periodic_Advertiser_List command is used to add an entry, consisting of a single device address and SID, to the Periodic Advertiser list stored in the Controller. Any additions to the Periodic Advertiser list take effect immediately. If the entry is already on the list, the Controller shall return the error code *Invalid HCI Command Parameters* (0x12).

If the Host issues this command when an HCI_LE_Periodic_Advertising_Create_Sync command is pending, the Controller shall return the error code *Command Disallowed* (0x0C).

When a Controller cannot add an entry to the Periodic Advertiser list because the list is full, the Controller shall return the error code *Memory Capacity Exceeded* (0x07).

Command parameters:

Advertiser_Address_Type: *Size: 1 octet*

Value	Parameter Description
0x00	Public Device Address or Public Identity Address
0x01	Random Device Address or Random (static) Identity Address
All other values	Reserved for future use

Advertiser_Address: *Size: 6 octets*

Value	Parameter Description
0XXXXXXXXXXXXX	Public Device Address, Random Device Address, Public Identity Address, or Random (static) Identity Address of the advertiser

Advertising_SID: *Size: 1 octet*

Value	Parameter Description
0x00 to 0x0F	Advertising SID subfield in the ADI field used to identify the Periodic Advertising
All other values	Reserved for future use

**Return parameters:***Status:**Size: 1 octet*

Value	Parameter Description
0x00	HCI_LE_Add_Device_To_Periodic_Advertiser_List command succeeded
0x01 to 0xFF	HCI_LE_Add_Device_To_Periodic_Advertiser_List command failed. See [Vol 1] Part F, Controller Error Codes for a list of error codes and descriptions.

Event(s) generated (unless masked away):

When the HCI_LE_Add_Device_To_Periodic_Advertiser_List command has completed, an HCI_Command_Complete event shall be generated.



7.8.71 LE Remove Device From Periodic Advertiser List command

Command	OCF	Command Parameters	Return Parameters
HCI_LE_Remove_Device_From_Periodic_Advertiser_List	0x0048	Advertiser_Address_Type, Advertiser_Address, Advertising_SID	Status

Description:

The HCI_LE_Remove_Device_From_Periodic_Advertiser_List command is used to remove one entry from the list of Periodic Advertisers stored in the Controller. Removals from the Periodic Advertisers List take effect immediately.

If the Host issues this command when an HCI_LE_Periodic_Advertising_Create_Sync command is pending, the Controller shall return the error code *Command Disallowed* (0x0C).

When a Controller cannot remove an entry from the Periodic Advertiser list because it is not found, the Controller shall return the error code *Unknown Advertising Identifier* (0x42).

Command parameters:

Advertiser_Address_Type: *Size: 1 octet*

Value	Parameter Description
0x00	Public Device Address or Public Identity Address
0x01	Random Device Address or Random (static) Identity Address
All other values	Reserved for future use

Advertiser_Address: *Size: 6 octets*

Value	Parameter Description
0XXXXXXXXXXXX	Public Device Address, Random Device Address, Public Identity Address, or Random (static) Identity Address of the advertiser

Advertising_SID: *Size: 1 octet*

Value	Parameter Description
0x00 to 0x0F	Advertising SID subfield in the ADI field used to identify the Periodic Advertising
All other values	Reserved for future use

**Return parameters:***Status:**Size: 1 octet*

Value	Parameter Description
0x00	HCI_LE_Remove_Device_From_Periodic_Advertiser_List command succeeded
0x01 to 0xFF	HCI_LE_Remove_Device_From_Periodic_Advertiser_List command failed. See [Vol 1] Part F, Controller Error Codes for a list of error codes and descriptions.

Event(s) generated (unless masked away):

When the HCI_LE_Remove_Device_From_Periodic_Advertiser_List command has completed, an HCI_Command_Complete event shall be generated.



7.8.72 LE Clear Periodic Advertiser List command

Command	OCF	Command Parameters	Return Parameters
HCI_LE_Clear_Periodic_Advertiser_List	0x0049	none	Status

Description:

The HCI_LE_Clear_Periodic_Advertiser_List command is used to remove all entries from the list of Periodic Advertisers in the Controller.

If this command is used when an HCI_LE_Periodic_Advertising_Create_Sync command is pending, the Controller shall return the error code *Command Disallowed* (0x0C).

Command parameters:

None.

Return parameters:

Status:

Size: 1 octet

Value	Parameter Description
0x00	HCI_LE_Clear_Periodic_Advertiser_List command succeeded
0x01 to 0xFF	HCI_LE_Clear_Periodic_Advertiser_List command failed. See [Vol 1] Part F, Controller Error Codes for a list of error codes and descriptions.

Event(s) generated (unless masked away):

When the HCI_LE_Clear_Periodic_Advertiser_List command has completed, an HCI_Command_Complete event shall be generated.



7.8.73 LE Read Periodic Advertiser List Size command

Command	OCF	Command Parameters	Return Parameters
HCI_LE_Read_Periodic_Advertiser_List_Size	0x004A	none	Status, Periodic_Advertiser_List_Size

Description:

The HCI_LE_Read_Periodic_Advertiser_List_Size command is used to read the total number of Periodic Advertiser list entries that can be stored in the Controller.

Note: The number of entries that can be stored is not fixed and the Controller can change it at any time (e.g., because the memory used to store the list can also be used for other purposes).

Command parameters:

None.

Return parameters:

Status:

Size: 1 octet

Value	Parameter Description
0x00	HCI_LE_Read_Periodic_Advertiser_List_Size command succeeded
0x01 to 0xFF	HCI_LE_Read_Periodic_Advertiser_List_Size command failed. See [Vol 1] Part F, Controller Error Codes for a list of error codes and descriptions.

Periodic_Advertiser_List_Size:

Size: 1 octet

Value	Parameter Description
0x01 to 0xFF	Total number of Periodic Advertiser list entries that can be stored in the Controller
0x00	Reserved for future use

Event(s) generated (unless masked away):

When the HCI_LE_Read_Periodic_Advertiser_List_Size command has completed, an HCI_Command_Complete event shall be generated.



7.8.74 LE Read Transmit Power command

Command	OCF	Command Parameters	Return Parameters
HCI_LE_Read_Transmit_Power	0x004B	none	Status, Min_TX_Power, Max_TX_Power

Description:

The HCI_LE_Read_Transmit_Power command is used to read the minimum and maximum transmit powers supported by the Controller across all supported PHYs.

Command parameters:

None.

Return parameters:

Status:

Size: 1 octet

Value	Parameter Description
0x00	HCI_LE_Read_Transmit_Power command succeeded
0x01 to 0xFF	HCI_LE_Read_Transmit_Power command failed. See [Vol 1] Part F, Controller Error Codes for a list of error codes and descriptions.

Min_TX_Power:

Size: 1 octet

Value	Parameter Description
0xXX	Range: -127 to +20 Units: dBm

Max_TX_Power:

Size: 1 octet

Value	Parameter Description
0xXX	Range: -127 to +20 Units: dBm

Event(s) generated (unless masked away):

When the HCI_LE_Read_Transmit_Power command has completed, an HCI_Command_Complete event shall be generated.



7.8.75 LE Read RF Path Compensation command

Command	OCF	Command Parameters	Return Parameters
HCI_LE_Read_RF_Path_Compensation	0x004C	none	Status, RF_TX_Path_Compensation_Value, RF_RX_Path_Compensation_Value

Description:

The HCI_LE_Read_RF_Path_Compensation command is used to read the RF path compensation value parameters used in the Tx power level and RSSI calculation.

Command parameters:

None.

Return parameters:

Status:

Size: 1 octet

Value	Parameter Description
0x00	HCI_LE_Read_RF_Path_Compensation command succeeded
0x01 to 0xFF	HCI_LE_Read_RF_Path_Compensation command failed. See [Vol 1] Part F, Controller Error Codes for a list of error codes and descriptions.

RF_TX_Path_Compensation_Value:

Size: 2 octets

Value	Parameter Description
0xFFFF	Range: -128.0 dB (0xFB00) to 128.0 dB (0x0500) Units: 0.1 dB

RF_RX_Path_Compensation_Value:

Size: 2 octets

Value	Parameter Description
0xFFFF	Range: -128.0 dB (0xFB00) to 128.0 dB (0x0500) Units: 0.1 dB

Event(s) generated (unless masked away):

When the HCI_LE_Read_RF_Path_Compensation command has completed, an HCI_Command_Complete event shall be generated.



7.8.76 LE Write RF Path Compensation command

Command	OCF	Command Parameters	Return Parameters
HCI_LE_Write_RF_Path_Compensation	0x004D	RF_TX_Path_Compensation_Value, RF_RX_Path_Compensation_Value	Status

Description:

The HCI_LE_Write_RF_Path_Compensation command is used to indicate the RF path gain or loss between the RF transceiver and the antenna contributed by intermediate components. A positive value means a net RF path gain and a negative value means a net RF path loss. The RF_TX_Path_Compensation_Value parameter shall be used by the Controller to calculate the radiative Tx power level used in HCI commands, HCI events, Advertising physical channel PDUs, and Link Layer Control PDUs using the following equation:

$$\text{Radiative Tx power level} = \text{Tx power level at RF transceiver output} + \text{RF_TX_Path_Compensation_Value}$$

For example, if the Tx power level is +4 (dBm) at RF transceiver output and the RF_TX_Path_Compensation_Value is -1.5 (dB), the radiative Tx power level is $+4+(-1.5) = 2.5$ (dBm).

The RF_RX_Path_Compensation_Value parameter shall be used by the Controller to calculate the RSSI value reported to the Host using the following equation:

$$\text{Rx power level at RF transceiver input} = \text{Rx power level at antenna} + \text{RF_RX_Path_Compensation_Value}$$

For example, if the Rx power level is -45 (dBm) at RF transceiver input and the RF_RX_Path_Compensation_Value is -3.2 (dB), the Rx power level at antenna is -41.8 (dBm).

The default values for the RF path compensation are vendor-specific.

This command can be issued at any time. If this command is issued during an ongoing over-the-air RF activity, the Controller may apply the Tx path compensation immediately or after a vendor-specific delay.

The Controller shall apply a change to the Tx path compensation value either by leaving the power at the transceiver output unchanged and altering the radiative Tx power level or by altering the power at the transceiver output to maintain any previously chosen radiative Tx power level.

If the Host needs to maintain a specific radiative transmit power level for an advertising set, it should disable that set before issuing this command then,



after the command completes, reissue the HCI_LE_Set_Extended_Advertising_Parameters command for that set and then re-enable it.

Command parameters:

RF_TX_Path_Compensation_Value: *Size: 2 octets*

Value	Parameter Description
0xXXXX	Range: -128.0 dB (0xFB00) to 128.0 dB (0x0500) Units: 0.1 dB

RF_RX_Path_Compensation_Value: *Size: 2 octets*

Value	Parameter Description
0xXXXX	Range: -128.0 dB (0xFB00) to 128.0 dB (0x0500) Units: 0.1 dB

Return parameters:

Status: *Size: 1 octet*

Value	Parameter Description
0x00	HCI_LE_Write_RF_Path_Compensation command succeeded
0x01 to 0xFF	HCI_LE_Write_RF_Path_Compensation command failed. See [Vol 1] Part F, Controller Error Codes for a list of error codes and descriptions.

Event(s) generated (unless masked away):

When the HCI_LE_Write_RF_Path_Compensation command has completed, an HCI_Command_Complete event shall be generated.

If the command leads to a change in the local radiative transmit power level for an LE ACL connection, then the Controller shall generate an HCI_LE_Transmit_Power_Reporting event if local reporting is enabled and initiate a Link Layer Power Change Indication procedure if remote reporting is enabled.



7.8.77 LE Set Privacy Mode command

Command	OCF	Command Parameters	Return Parameters
HCI_LE_Set_Privacy_Mode	0x004E	Peer_Identity_Address_Type, Peer_Identity_Address, Privacy_Mode	Status

Description:

The HCI_LE_Set_Privacy_Mode command is used to allow the Host to specify the privacy mode to be used for a given entry on the resolving list. The effect of this setting is specified in [Vol 6] Part B, Section 4.7.

When an entry on the resolving list is removed, the mode associated with that entry shall also be removed.

This command shall not be used when address resolution is enabled in the Controller and:

- Advertising (other than periodic advertising) is enabled,
- Scanning is enabled, or
- an HCI_LE_Create_Connection, HCI_LE_Extended_Create_Connection, or HCI_LE_Periodic_Advertising_Create_Sync command is pending.

This command may be used at any time when address resolution is disabled in the Controller.

If the device is not on the resolving list, the Controller shall return the error code *Unknown Connection Identifier* (0x02).

Command parameters:

Peer_Identity_Address_Type: *Size: 1 octet*

Value	Parameter Description
0x00	Public Identity Address
0x01	Random (static) Identity Address
All other values	Reserved for future use

Peer_Identity_Address: *Size: 6 octets*

Value	Parameter Description
0xFFFFFFFFXXXX	Public Identity Address or Random (static) Identity Address of the advertiser

**Privacy_Mode:***Size: 1 octet*

Value	Parameter Description
0x00	Use Network Privacy Mode for this peer device (default)
0x01	Use Device Privacy Mode for this peer device
All other values	Reserved for future use

Return parameters:**Status:***Size: 1 octet*

Value	Parameter Description
0x00	HCI_LE_Set_Privacy_Mode command succeeded
0x01 to 0xFF	HCI_LE_Set_Privacy_Mode command failed. See [Vol 1] Part F, Controller Error Codes for a list of error codes and descriptions.

Event(s) generated (unless masked away):

When the HCI_LE_Set_Privacy_Mode command has completed, an HCI_Command_Complete event shall be generated.

**7.8.78 [This section is no longer used]**

See [Section 7.8.28](#) for the LE Receiver Test command.

7.8.79 [This section is no longer used]

See [Section 7.8.29](#) for the LE Transmitter Test command.



7.8.80 LE Set Connectionless CTE Transmit Parameters command

Command	OCF	Command Parameters	Return Parameters
HCI_LE_Set_Connectionless_CTE_Transmit_Parameters	0x0051	Advertising_Handle, CTE_Length, CTE_Type, CTE_Count, Switching_Pattern_Length, Antenna_IDs[i]	Status

Description:

The HCI_LE_Set_Connectionless_CTE_Transmit_Parameters command is used to set the type, length, and antenna switching pattern for the transmission of Constant Tone Extensions in any periodic advertising on the advertising set identified by the Advertising_Handle parameter.

The CTE_Count parameter specifies how many packets with a Constant Tone Extension are to be transmitted in each periodic advertising event. If the number of packets that would otherwise be transmitted is less than this, the Controller shall transmit sufficient AUX_CHAIN_IND PDUs with no AdvData to make up the number. However, if a change in circumstances since this command was issued means that the Controller can no longer schedule all of these packets, it should transmit as many as possible.

If the Host issues this command when Constant Tone Extensions have been enabled in the advertising set, the Controller shall return the error code *Command Disallowed* (0x0C).

The Switching_Pattern_Length and Antenna_IDs[i] parameters are only used when transmitting an AoD Constant Tone Extension and shall be ignored if CTE_Type specifies an AoA Constant Tone Extension.

If the CTE_Length parameter is greater than the maximum length of Constant Tone Extension supported, the Controller shall return the error code *Unsupported Feature or Parameter Value* (0x11).

If the Host requests a type of Constant Tone Extension that the Controller does not support, the Controller shall return the error code *Unsupported Feature or Parameter Value* (0x11).

If the Controller is unable to schedule CTE_Count packets in each event, the Controller shall return the error code *Unsupported Feature or Parameter Value* (0x11).



If the advertising set corresponding to the Advertising_Handle parameter does not exist, the Controller shall return the error code *Unknown Advertising Identifier* (0x42).

If Switching_Pattern_Length is greater than the maximum length of switching pattern supported by the Controller (see [Section 7.8.87](#)), the Controller shall return the error code *Unsupported Feature or Parameter Value* (0x11).

If the Controller determines that any of the Antenna_IDs[i] values do not identify an antenna in the device's antenna array, it shall return the error code *Unsupported Feature or Parameter Value* (0x11).

Note: Some Controllers may be unable to determine which values do or do not identify an antenna.

Command parameters:

Advertising_Handle: *Size: 1 octet*

Value	Parameter Description
0xXX	Used to identify an advertising set Range: 0x00 to 0xEF

CTE_Length: *Size: 1 octet*

Value	Parameter Description
0x02 to 0x14	Constant Tone Extension length in 8 μs units
All other values	Reserved for future use

CTE_Type: *Size: 1 octet*

Value	Parameter Description
0x00	AoA Constant Tone Extension
0x01	AoD Constant Tone Extension with 1 μs slots
0x02	AoD Constant Tone Extension with 2 μs slots
All other values	Reserved for future use

CTE_Count: *Size: 1 octet*

Value	Parameter Description
0xXX	The number of Constant Tone Extensions to transmit in each periodic advertising interval Range: 0x01 to 0x10

**Switching_Pattern_Length:***Size: 1 octet*

Value	Parameter Description
0x02 to 0x4B	The number of Antenna IDs in the pattern
All other values	Reserved for future use

Antenna_IDs[i]:*Size: Switching_Pattern_Length × 1 octet*

Value	Parameter Description
0xXX	Antenna ID in the pattern.

Return parameters:**Status:***Size: 1 octet*

Value	Parameter Description
0x00	HCI_LE_Set_Connectionless_CTE_Transmit_Parameters command succeeded.
0x01 to 0xFF	HCI_LE_Set_Connectionless_CTE_Transmit_Parameters command failed. See [Vol 1] Part F, Controller Error Codes for a list of error codes and descriptions.

Event(s) generated (unless masked away):

When the HCI_LE_Set_Connectionless_CTE_Transmit_Parameters command has completed, an HCI_Command_Complete event shall be generated.



7.8.81 LE Set Connectionless CTE Transmit Enable command

Command	OCF	Command Parameters	Return Parameters
HCI_LE_Set_Connectionless_CTE_Transmit_Enable	0x0052	Advertising_Handle, CTE_Enable	Status

Description:

The HCI_LE_Set_Connectionless_CTE_Transmit_Enable command is used to request that the Controller enables or disables the use of Constant Tone Extensions in any periodic advertising on the advertising set identified by Advertising_Handle.

In order to start sending periodic advertisements containing a Constant Tone Extension, the Host must also enable periodic advertising using the HCI_LE_Set_Periodic_Advertising_Enable command (see [Section 7.8.63](#)).

Note: Periodic advertising can only be enabled when advertising is enabled on the same advertising set, but can continue after advertising has been disabled.

If the Host issues this command before it has issued the HCI_LE_Set_Periodic_Advertising_Parameters command (see [Section 7.8.61](#)) for the advertising set, the Controller shall return the error code *Command Disallowed* (0x0C).

Once enabled, the Controller shall continue advertising with Constant Tone Extensions until either one of the following occurs:

- The Host issues an HCI_LE_Set_Connectionless_CTE_Transmit_Enable command with CTE_Enable set to 0x00 (disabling Constant Tone Extensions but allowing periodic advertising to continue).
- The Host issues an HCI_LE_Set_Periodic_Advertising_Enable command (see [Section 7.8.63](#)) with Enable set to 0x00 (disabling periodic advertising). If periodic advertising is re-enabled then it shall continue to contain Constant Tone Extensions.

If the Host issues this command before it has issued the HCI_LE_Set_Connectionless_CTE_Transmit_Parameters command for the advertising set, the Controller shall return the error code *Command Disallowed* (0x0C).

If the periodic advertising is on a PHY that does not allow Constant Tone Extensions, the Controller shall return the error code *Command Disallowed* (0x0C).



If the advertising set corresponding to the Advertising_Handle parameter does not exist, the Controller shall return the error code *Unknown Advertising Identifier* (0x42).

The Host may issue this command when advertising or periodic advertising is enabled in the advertising set.

Command parameters:

Advertising_Handle: *Size: 1 octet*

Value	Parameter Description
0xXX	Identifier for the advertising set in which Constant Tone Extension is being enabled or disabled Range: 0x00 to 0xEF

CTE_Enable: *Size: 1 octet*

Value	Parameter Description
0x00	Advertising with Constant Tone Extension is disabled (default)
0x01	Advertising with Constant Tone Extension is enabled
All other values	Reserved for future use

Return parameters:

Status: *Size: 1 octet*

Value	Parameter Description
0x00	HCI_LE_Set_Connectionless_CTE_Transmit_Enable command succeeded.
0x01 to 0xFF	HCI_LE_Set_Connectionless_CTE_Transmit_Enable command failed. See [Vol 1] Part F, Controller Error Codes for a list of error codes and descriptions.

Event(s) generated (unless masked away):

When the HCI_LE_Set_Connectionless_CTE_Transmit_Enable command has completed, an HCI_Command_Complete event shall be generated.



7.8.82 LE Set Connectionless IQ Sampling Enable command

Command	OCF	Command Parameters	Return Parameters
HCI_LE_Set_Connectionless_IQ_Sampling_Enable	0x0053	Sync_Handle, Sampling_Enable, Slot_Durations, Max_Sampled_CTEs, Switching_Pattern_Length, Antenna_IDs[j]	Status, Sync_Handle

Description:

The HCI_LE_Set_Connectionless_IQ_Sampling_Enable command is used to request that the Controller enables or disables capturing IQ samples from the Constant Tone Extension of periodic advertising packets in the periodic advertising train identified by the Sync_Handle parameter. If that periodic advertising train does not exist, then the Controller shall return the error code *Unknown Advertising Identifier* (0x42).

The Max_Sampled_CTEs parameter specifies the maximum number of Constant Tone Extensions in each periodic advertising event that the Controller should collect and report IQ samples from. The Controller should sample all Constant Tone Extensions up to this number.

If the Sampling_Enable parameter is set to 0x01 (sampling is enabled), the Controller starts attempting to capture IQ samples from the periodic advertisements.

Once sampling has been enabled, the Controller shall continue taking IQ samples until the Host issues an HCI_LE_Set_Connectionless_IQ_Enable command with Sampling_Enable set to 0x00 (sampling is disabled) or synchronization with the periodic advertising train is lost.

If Sampling_Enable is set to 0x00, Slot_Durations, Max_Sampled_CTEs, Switching_Pattern_Length, and Antenna_IDs shall be ignored.

The command is also used to set the antenna switching pattern and switching and sampling slot durations to be used while receiving the Constant Tone Extension.

If Slot_Durations is set to 0x01 and the Controller does not support 1 μs switching and sampling, the Controller shall return the error code *Unsupported Feature or Parameter Value* (0x11).

The Slot_Durations, Switching_Pattern_Length, and Antenna_IDs parameters are only used when receiving an AoA Constant Tone Extension and do not affect the reception of an AoD Constant Tone Extension.



If `Switching_Pattern_Length` is greater than the maximum length of switching pattern supported by the Controller, the Controller shall return the error code *Unsupported Feature or Parameter Value* (0x11).

If the Controller determines that any of the `Antenna_IDs[i]` values do not identify an antenna in the device's antenna array, it shall return the error code *Unsupported Feature or Parameter Value* (0x11).

Note: Some Controllers may be unable to determine which values do or do not identify an antenna.

If `Sampling_Enable` is set to 0x01 and the periodic advertising is on a PHY that does not allow Constant Tone Extensions, the Controller shall return the error code *Command Disallowed* (0x0C).

Command parameters:

`Sync_Handle`: *Size: 2 octets (12 bits meaningful)*

Value	Parameter Description
0xXXXX	Sync_Handle identifying the periodic advertising train. Range: 0x0000 to 0x0EFF

`Sampling_Enable`: *Size: 1 octet*

Value	Parameter Description
0x00	Connectionless IQ sampling is disabled (default)
0x01	Connectionless IQ sampling is enabled
All other values	Reserved for future use

`Slot_Durations`: *Size: 1 octet*

Value	Parameter Description
0x01	Switching and sampling slots are 1 μ s each
0x02	Switching and sampling slots are 2 μ s each
All other values	Reserved for future use

`Max_Sampled_CTEs`: *Size: 1 octet*

Value	Parameter Description
0x00	Sample and report all available Constant Tone Extensions
0xXX	The maximum number of Constant Tone Extensions to sample and report in each periodic advertising interval Range: 0x01 to 0x10



Switching_Pattern_Length:

Size: 1 octet

Value	Parameter Description
0x02 to 0x4B	The number of Antenna IDs in the pattern
All other values	Reserved for future use

Antenna_IDs[i]:

Size: Switching_Pattern_Length × 1 octet

Value	Parameter Description
0xXX	Antenna ID in the pattern.

Return parameters:

Status:

Size: 1 octet

Value	Parameter Description
0x00	HCI_LE_Set_Connectionless_IQ_Sampling_Enable command succeeded.
0x01 to 0xFF	HCI_LE_Set_Connectionless_IQ_Sampling_Enable command failed. See [Vol 1] Part F, Controller Error Codes for a list of error codes and descriptions.

Sync_Handle:

Size: 2 octets (12 bits meaningful)

Value	Parameter Description
0xXXXX	Sync_Handle identifying the periodic advertising. Range: 0x0000 to 0x0EFF

Event(s) generated (unless masked away):

When the HCI_LE_Set_Connectionless_IQ_Sampling_Enable command has completed, an HCI_Command_Complete event shall be generated.

HCI_LE_Connectionless_IQ_Report events are generated by the Controller based on the advertising packets received.



7.8.83 LE Set Connection CTE Receive Parameters command

Command	OCF	Command Parameters	Return Parameters
HCI_LE_Set_Connection_-_CTE_Receive_Parameters	0x0054	Connection_Handle, Sampling_Enable, Slot_Durations, Switching_Pattern_Length, Antenna_IDs[i]	Status, Connection_Handle

Description:

The HCI_LE_Set_Connection_CTE_Receive_Parameters command is used to enable or disable sampling received Constant Tone Extension fields on the connection identified by the Connection_Handle parameter and to set the antenna switching pattern and switching and sampling slot durations to be used.

If the Sampling_Enable parameter is set to 0x01, the Controller shall sample Constant Tone Extensions on the specified connection and report the samples to the Host. If it is set to 0x00, the Controller shall cease sampling on the specified connection; the remaining parameters shall be ignored.

If Slot_Durations is set to 0x01 and the Controller does not support 1 μ s switching and sampling, the Controller shall return the error code *Unsupported Feature or Parameter Value* (0x11).

The Slot_Durations, Switching_Pattern_Length, and Antenna_IDs parameters are only used when receiving an AoA Constant Tone Extension and do not affect the reception of an AoD Constant Tone Extension.

If Switching_Pattern_Length is greater than the maximum length of switching pattern supported by the Controller, the Controller shall return the error code *Unsupported Feature or Parameter Value* (0x11).

If the Controller determines that any of the Antenna_IDs[i] values do not identify an antenna in the device's antenna array, it shall return the error code *Unsupported Feature or Parameter Value* (0x11).

Note: Some Controllers may be unable to determine which values do or do not identify an antenna.



Command parameters:

Connection_Handle: *Size: 2 octets (12 bits meaningful)*

Value	Parameter Description
0xXXXX	Connection_Handle Range: 0x0000 to 0x0EFF

Sampling_Enable: *Size: 1 octet*

Value	Parameter Description
0x00	Connection IQ sampling is disabled (default)
0x01	Connection IQ sampling is enabled
All other values	Reserved for future use

Slot_Durations: *Size: 1 octet*

Value	Parameter Description
0x01	Switching and sampling slots are 1 μs each
0x02	Switching and sampling slots are 2 μs each
All other values	Reserved for future use

Switching_Pattern_Length: *Size: 1 octet*

Value	Parameter Description
0x02 to 0x4B	The number of Antenna IDs in the pattern
All other values	Reserved for future use

Antenna_IDs[i]: *Size: Switching_Pattern_Length × 1 octet*

Value	Parameter Description
0xXX	Antenna ID in the pattern.

Return parameters:

Status: *Size: 1 octet*

Value	Parameter Description
0x00	HCI_LE_Set_Connection_CTE_Receive_Parameters command succeeded.
0x01 to 0xFF	HCI_LE_Set_Connection_CTE_Receive_Parameters command failed. See [Vol 1] Part F, Controller Error Codes for a list of error codes and descriptions.

**Connection_Handle:****Size: 2 octets (12 bits meaningful)**

Value	Parameter Description
0xXXXX	Connection_Handle Range: 0x0000 to 0x0EFF

Event(s) generated (unless masked away):

When the HCI_LE_Set_Connection_CTE_Receive_Parameters command has completed, an HCI_Command_Complete event shall be generated.



7.8.84 LE Set Connection CTE Transmit Parameters command

Command	OCF	Command Parameters	Return Parameters
HCI_LE_Set_Connection_-_CTE_Transmit_Parameters	0x0055	Connection_Handle, CTE_Types, Switching_Pattern_Length, Antenna_IDs[i]	Status, Connection_Handle

Description:

The HCI_LE_Set_Connection_CTE_Transmit_Parameters command is used to set the antenna switching pattern and permitted Constant Tone Extension types used for transmitting Constant Tone Extensions requested by the peer device on the connection identified by the Connection_Handle parameter.

If the Host issues this command when Constant Tone Extension responses have been enabled on the connection, the Controller shall return the error code *Command Disallowed* (0x0C).

If the CTE_Types parameter has a bit set for a type of Constant Tone Extension that the Controller does not support, the Controller shall return the error code *Unsupported Feature or Parameter Value* (0x11).

The Switching_Pattern_Length and Antenna_IDs[i] parameters are only used when transmitting an AoD Constant Tone Extension and shall be ignored when CTE_Types does not have a bit set for an AoD Constant Tone Extension; they do not affect the transmission of an AoA Constant Tone Extension.

If Switching_Pattern_Length is greater than the maximum length of switching pattern supported by the Controller, the Controller shall return the error code *Unsupported Feature or Parameter Value* (0x11).

If the Controller determines that any of the Antenna_IDs[i] values do not identify an antenna in the device's antenna array, it shall return the error code *Unsupported Feature or Parameter Value* (0x11).

Note: Some Controllers may be unable to determine which values do or do not identify an antenna.



Command parameters:

Connection_Handle: *Size: 2 octets (12 bits meaningful)*

Value	Parameter Description
0xXXXX	Connection_Handle Range: 0x0000 to 0x0EFF

CTE_Types: *Size: 1 octet*

Bit Number	Parameter Description
0	Allow AoA Constant Tone Extension Response
1	Allow AoD Constant Tone Extension Response with 1 μ s slots
2	Allow AoD Constant Tone Extension Response with 2 μ s slots
All other values	Reserved for future use

Switching_Pattern_Length: *Size: 1 octet*

Value	Parameter Description
0x02 to 0x4B	The number of Antenna IDs in the pattern
All other values	Reserved for future use

Antenna_IDs[i]: *Size: Switching_Pattern_Length \times 1 octet*

Value	Parameter Description
0xXX	Antenna ID in the pattern.

Return parameters:

Status: *Size: 1 octet*

Value	Parameter Description
0x00	HCI_LE_Set_Connection_CTE_Transmit_Parameters command succeeded.
0x01 to 0xFF	HCI_LE_Set_Connection_CTE_Transmit_Parameters command failed. See [Vol 1] Part F, Controller Error Codes for a list of error codes and descriptions.

Connection_Handle: *Size: 2 octets (12 bits meaningful)*

Value	Parameter Description
0xXXXX	Connection_Handle Range: 0x0000 to 0x0EFF

**Event(s) generated (unless masked away):**

When the HCI_LE_Set_Connection_CTE_Transmit_Parameters command has completed, an HCI_Command_Complete event shall be generated.



7.8.85 LE Connection CTE Request Enable command

Command	OCF	Command Parameters	Return Parameters
HCI_LE_Connection_CTE_Request_Enable	0x0056	Connection_Handle, Enable, CTE_Request_Interval, Requested_CTE_Length, Requested_CTE_Type	Status, Connection_Handle

Description:

The HCI_LE_Connection_CTE_Request_Enable command is used to request the Controller to start or stop initiating the Constant Tone Extension Request procedure (see [Vol 6] Part B, Section 5.1.12) on a connection identified by the Connection_Handle parameter.

If the Host issues this command when the Controller is aware (e.g. through a previous feature exchange) that the peer device's Link Layer does not support the Connection CTE Response feature, the Controller shall return the error code *Unsupported Remote Feature* (0x1A). If the Host issues this command when the Controller is aware that the peer device's Link Layer does not support the requested CTE type, the Controller should return the error code *Unsupported Remote Feature* (0x1A).

If Enable is set to 0x00, the remaining parameters shall be ignored. Any Constant Tone Extension Request procedures that have already been initiated are not affected.

The CTE_Request_Interval parameter defines whether the Constant Tone Extension Request procedure is initiated only once or periodically. In the case of periodic operation, the procedure is initiated every CTE_Request_Interval. However, the Controller may delay initiating the procedure beyond the requested interval (e.g., in order to prioritize other activities).

The Requested_CTE_Length parameter indicates the minimum length of the Constant Tone Extension and the Requested_CTE_Type parameter indicates the type of Constant Tone Extension that the Controller shall request from the remote device.

A request is active on a connection from when the Host issues a successful command with Enable set to 0x01 until a command with Enable set to 0x00 has succeeded or, if CTE_Request_Interval was set to zero, until the single Link Layer procedure has been performed, whichever happens first.

If the Host issues this command with Enable set to 0x01 while a request is active for the specified connection, the Controller shall return the error code *Command Disallowed* (0x0C).



Note: The failed command will not affect the behavior of the Link Layer in respect of the currently-active request.

If the Host issues this command before issuing the HCI_LE_Set_Connection_CTE_Receive_Parameters command at least once on the connection, the Controller shall return the error code *Command Disallowed* (0x0C).

If the Host issues this command when the receiver PHY for the connection is not a PHY that allows Constant Tone Extensions, the Controller shall return the error code *Command Disallowed* (0x0C).

If the Host sets CTE_Request_Interval to a non-zero value less than $connSubrateFactor \times (connPeripheralLatency + 1)$, the Controller shall return the error code *Command Disallowed* (0x0C).

If Enable is set to 0x01 and the receiver PHY for the connection changes to a PHY that does not allow Constant Tone Extensions, then the Controller shall automatically disable Constant Tone Extension requests as if the Host had issued this command with Enable set to 0x00.

Note: If the PHY changes back to a PHY that allows Constant Tone Extensions, then the Controller will not automatically re-enable Constant Tone Extension requests.

Command parameters:

Connection_Handle: *Size: 2 octets (12 bits meaningful)*

Value	Parameter Description
0xXXXX	Connection_Handle Range: 0x0000 to 0x0EFF

Enable: *Size: 1 octet*

Value	Parameter Description
0x00	Disable Constant Tone Extension Request for the connection (default)
0x01	Enable Constant Tone Extension Request for the connection
All other values	Reserved for future use

CTE_Request_Interval: *Size: 2 octets*

Value	Parameter Description
0x0000	Initiate the Constant Tone Extension Request procedure once, at the earliest practical opportunity
0x0001 to 0xFFFF	Requested interval for initiating the Constant Tone Extension Request procedure in number of underlying connection events.



Requested_CTE_Length:

Size: 1 octet

Value	Parameter Description
0x02 to 0x14	Minimum length of the Constant Tone Extension being requested in 8 μ s units
All other values	Reserved for future use

Requested_CTE_Type:

Size: 1 octet

Value	Parameter Description
0x00	AoA Constant Tone Extension
0x01	AoD Constant Tone Extension with 1 μ s slots
0x02	AoD Constant Tone Extension with 2 μ s slots
All other values	Reserved for future use

Return parameters:

Status:

Size: 1 octet

Value	Parameter Description
0x00	HCI_LE_Connection_CTE_Request_Enable command succeeded.
0x01 to 0xFF	HCI_LE_Connection_CTE_Request_Enable command failed. See [Vol 1] Part F, Controller Error Codes for a list of error codes and descriptions.

Connection_Handle:

Size: 2 octets (12 bits meaningful)

Value	Parameter Description
0xXXXX	Connection_Handle Range: 0x0000 to 0x0EFF

Event(s) generated (unless masked away):

When the HCI_LE_Connection_CTE_Request_Enable command has completed, an HCI_Command_Complete event shall be generated.

HCI_LE_Connection_IQ_Report events are generated by the Controller based on Constant Tone Extensions received, whether in packets containing an LL_CTE_RSP PDU or otherwise. If a packet is received containing an LL_CTE_RSP PDU but no Constant Tone Extension, or if the peer device rejects the request, an HCI_LE_CTE_Request_Failed event shall be generated.



7.8.86 LE Connection CTE Response Enable command

Command	OCF	Command Parameters	Return Parameters
HCI_LE_Connection_CTE_Response_Enable	0x0057	Connection_Handle, Enable	Status, Connection_Handle

Description:

The HCI_LE_Connection_CTE_Response_Enable command is used to request the Controller to respond to LL_CTE_REQ PDUs with LL_CTE_RSP PDUs on the specified connection.

If the Host issues this command before issuing the HCI_LE_Set_Connection_CTE_Transmit_Parameters command at least once on the connection, the Controller shall return the error code *Command Disallowed* (0x0C).

If the Host issues this command when the transmitter PHY for the connection is not a PHY that allows Constant Tone Extensions, the Controller shall return the error code *Command Disallowed* (0x0C).

If the transmitter PHY for the connection changes to a PHY that does not allow Constant Tone Extensions, then the Controller shall automatically disable Constant Tone Extension responses.

Command parameters:

Connection_Handle: *Size: 2 octets (12 bits meaningful)*

Value	Parameter Description
0xXXXX	Connection_Handle Range: 0x0000 to 0x0EFF

Enable: *Size: 1 octet*

Value	Parameter Description
0x00	Disable Constant Tone Extension Response for the connection (default)
0x01	Enable Constant Tone Extension Response for the connection
All other values	Reserved for future use

**Return parameters:***Status:**Size: 1 octet*

Value	Parameter Description
0x00	HCI_LE_Connection_CTE_Response_Enable command succeeded.
0x01 to 0xFF	HCI_LE_Connection_CTE_Response_Enable command failed. See [Vol 1] Part F, Controller Error Codes for a list of error codes and descriptions.

*Connection_Handle:**Size: 2 octets (12 bits meaningful)*

Value	Parameter Description
0xXXXX	Connection_Handle Range: 0x0000 to 0x0EFF

Event(s) generated (unless masked away):

When the HCI_LE_Connection_CTE_Response_Enable command has completed, an HCI_Command_Complete event shall be generated.



7.8.87 LE Read Antenna Information command

Command	OCF	Command Parameters	Return Parameters
HCI_LE_Read_Antenna_Information	0x0058	none	Status, Supported_Switching_Sampling_Rates, Num_Antennae, Max_Switching_Pattern_Length, Max_CTE_Length

Description:

The HCI_LE_Read_Antenna_Information command allows the Host to read the switching rates, the sampling rates, the number of antennae, and the maximum length of a transmitted Constant Tone Extension supported by the Controller.

If the Controller does not support antenna switching, the value of Max_Switching_Pattern_Length shall still be valid but will not be used by the Host.

Command parameters:

None.

Return parameters:

Status: *Size: 1 octet*

Value	Parameter Description
0x00	HCI_LE_Read_Antenna_Information command succeeded.
0x01 to 0xFF	HCI_LE_Read_Antenna_Information command failed. See [Vol 1] Part F, Controller Error Codes for a list of error codes and descriptions.

Supported_Switching_Sampling_Rates: *Size: 1 octet*

Bit Number	Meaning
0	1 μ s switching supported for AoD transmission
1	1 μ s sampling supported for AoD reception
2	1 μ s switching and sampling supported for AoA reception
3 to 7	Reserved for future use

*Num_Antennae:**Size: 1 octet*

Value	Parameter Description
0x01 to 0x4B	The number of antennae supported by the Controller
All other values	Reserved for future use

*Max_Switching_Pattern_Length:**Size: 1 octet*

Value	Parameter Description
0x02 to 0x4B	Maximum length of antenna switching pattern supported by the Controller
All other values	Reserved for future use

*Max_CTE_Length:**Size: 1 octet*

Value	Parameter Description
0x02 to 0x14	Maximum length of a transmitted Constant Tone Extension supported in 8 μ s units
All other values	Reserved for future use

Event(s) generated (unless masked away):

When the HCI_LE_Read_Antenna_Information command has completed, an HCI_Command_Complete event shall be generated.



7.8.88 LE Set Periodic Advertising Receive Enable command

Command	OCF	Command Parameters	Return Parameters
HCI_LE_Set_Periodic_Advertising_Receive_Enable	0x0059	Sync_Handle, Enable	Status

Description:

The HCI_LE_Set_Periodic_Advertising_Receive_Enable command will enable or disable reports for the periodic advertising train identified by the Sync_Handle parameter.

The Enable parameter determines whether reporting and duplicate filtering are enabled or disabled. If the value is the same as the current state, the command has no effect.

If the periodic advertising train corresponding to the Sync_Handle parameter does not exist, the Controller shall return the error code *Unknown Advertising Identifier* (0x42).

If the Host sets both bits 0 and 1 of Enable and the Controller does not support the Periodic Advertising ADI Support feature, then the Controller shall return an error which should use the error code *Unsupported Feature or Parameter Value* (0x11).

Command parameters:

Sync_Handle: *Size: 2 octets (12 bits meaningful)*

Value	Parameter Description
0xXXXX	Sync_Handle identifying the periodic advertising train. Range: 0x0000 to 0x0EFF

Enable: *Size: 1 octet*

Bit Number	Parameter Description
0	Reporting enabled
1	Duplicate filtering enabled
All other bits	Reserved for future use

**Return parameters:***Status:**Size: 1 octet*

Value	Parameter Description
0x00	HCI_LE_Set_Periodic_Advertising_Receive_Enable command succeeded.
0x01 to 0xFF	HCI_LE_Set_Periodic_Advertising_Receive_Enable command failed. See [Vol 1] Part F, Controller Error Codes for a list of error codes and descriptions.

Event(s) generated (unless masked away):

When the HCI_LE_Set_Periodic_Advertising_Receive_Enable command has completed, an HCI_Command_Complete event shall be generated.



7.8.89 LE Periodic Advertising Sync Transfer command

Command	OCF	Command Parameters	Return Parameters
HCI_LE_Periodic_Advertising_Sync_Transfer	0x005A	Connection_Handle, Service_Data, Sync_Handle	Status, Connection_Handle

Description:

The HCI_LE_Periodic_Advertising_Sync_Transfer command is used to instruct the Controller to send synchronization information about the periodic advertising train identified by the Sync_Handle parameter to a connected device.

The Service_Data parameter is a value provided by the Host for use by the Host of the peer device. It is not used by the Controller.

The connected device is identified by the Connection_Handle parameter.

If the periodic advertising train corresponding to the Sync_Handle parameter does not exist, the Controller shall return the error code *Unknown Advertising Identifier* (0x42).

If the Connection_Handle parameter does not identify a current connection, the Controller shall return the error code *Unknown Connection Identifier* (0x02).

If the remote device has not indicated support for the Periodic Advertising Sync Transfer - Recipient feature, the Controller shall return the error code *Unsupported Remote Feature* (0x1A).

Note: This command may complete before the periodic advertising synchronization information is sent. No indication is given as to how the recipient handled the information.

Command parameters:

Connection_Handle: *Size: 2 octets (12 bits meaningful)*

Value	Parameter Description
0xXXXX	Connection_Handle Range: 0x0000 to 0x0EFF

Service_Data: *Size: 2 octets*

Value	Parameter Description
0xXXXX	A value provided by the Host

**Sync_Handle:****Size: 2 octets (12 bits meaningful)**

Value	Parameter Description
0xXXXX	Sync_Handle identifying the periodic advertising train. Range: 0x0000 to 0x0EFF

Return parameters:**Status:****Size: 1 octet**

Value	Parameter Description
0x00	HCI_LE_Periodic_Advertising_Sync_Transfer command succeeded.
0x01 to 0xFF	HCI_LE_Periodic_Advertising_Sync_Transfer command failed. See [Vol 1] Part F, Controller Error Codes for a list of error codes and descriptions.

Connection_Handle:**Size: 2 octets (12 bits meaningful)**

Value	Parameter Description
0xXXXX	Connection_Handle Range: 0x0000 to 0x0EFF

Event(s) generated (unless masked away):

When the HCI_LE_Periodic_Advertising_Sync_Transfer command has completed, an HCI_Command_Complete event shall be generated.



7.8.90 LE Periodic Advertising Set Info Transfer command

Command	OCF	Command Parameters	Return Parameters
HCI_LE_Periodic_Advertising_Set_Info_Transfer	0x005B	Connection_Handle, Service_Data, Advertising_Handle	Status, Connection_Handle

Description:

The HCI_LE_Periodic_Advertising_Set_Info_Transfer command is used to instruct the Controller to send synchronization information about the periodic advertising in an advertising set to a connected device.

The Advertising_Handle parameter identifies the advertising set. If the parameters in the advertising set have changed since the periodic advertising was first enabled, the current parameters – not the original ones – are sent.

The Service_Data parameter is a value provided by the Host to identify the periodic advertising train to the peer device. It is not used by the Controller.

The connected device is identified by the Connection_Handle parameter.

If the advertising set corresponding to the Advertising_Handle parameter does not exist, the Controller shall return the error code *Unknown Advertising Identifier* (0x42).

If periodic advertising is not currently in progress for the advertising set, the Controller shall return the error code *Command Disallowed* (0x0C).

If the Connection_Handle parameter does not identify a current connection, the Controller shall return the error code *Unknown Connection Identifier* (0x02).

If the remote device has not indicated support for the Periodic Advertising Sync Transfer - Recipient feature, the Controller shall return the error code *Unsupported Remote Feature* (0x1A).

Note: This command may complete before the periodic advertising synchronization information is sent. No indication is given as to how the recipient handled the information.

Command parameters:

Connection_Handle: Size: 2 octets (12 bits meaningful)

Value	Parameter Description
0xXXXX	Connection_Handle Range: 0x0000 to 0x0EFF

**Service_Data:***Size: 2 octets*

Value	Parameter Description
0xXXXX	A value provided by the Host

Advertising_Handle:*Size: 1 octet*

Value	Parameter Description
0x00 to 0xEF	Used to identify an advertising set
All other values	Reserved for future use

Return parameters:**Status:***Size: 1 octet*

Value	Parameter Description
0x00	HCI_LE_Periodic_Advertising_Set_Info_Transfer command succeeded.
0x01 to 0xFF	HCI_LE_Periodic_Advertising_Set_Info_Transfer command failed. See [Vol 1] Part F, Controller Error Codes for a list of error codes and descriptions.

Connection_Handle:*Size: 2 octets (12 bits meaningful)*

Value	Parameter Description
0xXXXX	Connection_Handle Range: 0x0000 to 0x0EFF

Event(s) generated (unless masked away):

When the HCI_LE_Periodic_Advertising_Set_Info_Transfer command has completed, an HCI_Command_Complete event shall be generated.



7.8.91 LE Set Periodic Advertising Sync Transfer Parameters command

Command	OCF	Command Parameters	Return Parameters
HCI_LE_Set_Periodic_Advertising_Sync_Transfer_Parameters	0x005C	Connection_Handle, Mode, Skip, Sync_Timeout, CTE_Type	Status, Connection_Handle

Description:

The HCI_LE_Set_Periodic_Advertising_Sync_Transfer_Parameters command is used to specify how the Controller will process periodic advertising synchronization information received from the device identified by the Connection_Handle parameter (the "transfer mode").

The Mode parameter specifies the action to be taken when periodic advertising synchronization information is received. If Mode is 0x00, the Controller will ignore the information. Otherwise it will notify the Host and synchronize to the periodic advertising. Mode also specifies whether periodic advertising reports are initially enabled or disabled and whether duplicates are filtered.

The Skip parameter specifies the number of consecutive periodic advertising packets that the receiver may skip after successfully receiving a periodic advertising packet.

The Sync_Timeout parameter specifies the maximum permitted time between successful receives. If this time is exceeded, synchronization is lost.

Irrespective of the value of the Skip parameter, the Controller should stop skipping packets before the Sync_Timeout would be exceeded.

The CTE_Type parameter specifies whether to only synchronize to periodic advertising with certain types of Constant Tone Extension. If the periodic advertiser changes the type of the Constant Tone Extension after the Controller has synchronized with the periodic advertising, it shall remain synchronized.

Note: A value of 0 (i.e. all bits clear) indicates that the presence or absence of a Constant Tone Extension is irrelevant.

This command does not affect any processing of any periodic advertising synchronization information already received from the peer device, whether or not the Controller has yet synchronized to the periodic advertising train it describes.

The parameter values provided by this command override those provided via the HCI_LE_Set_Default_Periodic_Advertising_Sync_Transfer_Parameters



command (Section 7.8.92) or any preferences previously set using the HCI_LE_Set_Periodic_Advertising_Sync_Transfer_Parameters command on the same connection.

If the Connection_Handle parameter does not identify a current connection, the Controller shall return the error code *Unknown Connection Identifier* (0x02).

If the Host sets Mode to 0x03 and the Controller does not support the Periodic Advertising ADI Support feature, then the Controller shall return an error which should use the error code *Unsupported Feature or Parameter Value* (0x11).

Command parameters:

Connection_Handle: *Size: 2 octets (12 bits meaningful)*

Value	Parameter Description
0xXXXX	Connection_Handle Range: 0x0000 to 0x0EFF

Mode: *Size: 1 octet*

Value	Parameter Description
0x00	No attempt is made to synchronize to the periodic advertising and no HCI_LE_Periodic_Advertising_Sync_Transfer_Received event is sent to the Host.
0x01	An HCI_LE_Periodic_Advertising_Sync_Transfer_Received event is sent to the Host. HCI_LE_Periodic_Advertising_Report events will be disabled.
0x02	An HCI_LE_Periodic_Advertising_Sync_Transfer_Received event is sent to the Host. HCI_LE_Periodic_Advertising_Report events will be enabled with duplicate filtering disabled.
0x03	An HCI_LE_Periodic_Advertising_Sync_Transfer_Received event is sent to the Host. HCI_LE_Periodic_Advertising_Report events will be enabled with duplicate filtering enabled.
All other values	Reserved for future use

Skip: *Size: 2 octets*

Value	Parameter Description
0xXXXX	The number of periodic advertising packets that can be skipped after a successful receive Range: 0x0000 to 0x01F3



Sync_Timeout:

Size: 2 octets

Value	Parameter Description
N=0xXXXX	Synchronization timeout for the periodic advertising train Range: 0x000A to 0x4000 Time = N × 10 ms Time Range: 100 ms to 163.84 s

CTE_Type:

Size: 1 octet

Bit Number	Parameter Description
0	Do not sync to packets with an AoA Constant Tone Extension
1	Do not sync to packets with an AoD Constant Tone Extension with 1 μs slots
2	Do not sync to packets with an AoD Constant Tone Extension with 2 μs slots
4	Do not sync to packets without a Constant Tone Extension
All other values	Reserved for future use

Return parameters:

Status:

Size: 1 octet

Value	Parameter Description
0x00	HCI_LE_Set_Periodic_Advertising_Sync_Transfer_Parameters command succeeded.
0x01 to 0xFF	HCI_LE_Set_Periodic_Advertising_Sync_Transfer_Parameters command failed. See [Vol 1] Part F, Controller Error Codes for a list of error codes and descriptions.

Connection_Handle:

Size: 2 octets (12 bits meaningful)

Value	Parameter Description
0xXXXX	Connection_Handle Range: 0x0000 to 0x0EFF

Event(s) generated (unless masked away):

When the HCI_LE_Set_Periodic_Advertising_Sync_Transfer_Parameters command has completed, an HCI_Command_Complete event shall be generated.



7.8.92 LE Set Default Periodic Advertising Sync Transfer Parameters command

Command	OCF	Command Parameters	Return Parameters
HCI_LE_Set_Default_Periodic_Advertising_Sync_Transfer_Parameters	0x005D	Mode, Skip, Sync_Timeout, CTE_Type	Status

Description:

The HCI_LE_Set_Default_Periodic_Advertising_Sync_Transfer_Parameters command is used to specify the initial value for the mode, skip, timeout, and Constant Tone Extension type (set by the HCI_LE_Set_Periodic_Advertising_Sync_Transfer_Parameters command; see [Section 7.8.91](#)) to be used for all subsequent connections over the LE transport.

The Mode parameter specifies the initial action to be taken. If Mode is 0x00, the Controller will ignore the information. Otherwise it will notify the Host and synchronize to the periodic advertising. Mode also specifies whether periodic advertising reports are initially enabled or disabled and whether duplicates are filtered.

The Skip parameter specifies the number of consecutive periodic advertising packets that the receiver may skip after successfully receiving a periodic advertising packet.

The Sync_Timeout parameter specifies the maximum permitted time between successful receives. If this time is exceeded, synchronization is lost.

The CTE_Type parameter specifies whether to only synchronize to periodic advertising with certain types of Constant Tone Extension. If the periodic advertiser changes the type of the Constant Tone Extension after the Controller has synchronized with the periodic advertising, it shall remain synchronized.

Note: A value of 0 (i.e. all bits clear) indicates that the presence or absence of a Constant Tone Extension is irrelevant.

This command does not affect any existing connection.

If the Host sets Mode to 0x03 and the Controller does not support the Periodic Advertising ADI Support feature, then the Controller shall return an error which should use the error code *Unsupported Feature or Parameter Value* (0x11).



Command parameters:

Mode:

Size: 1 octet

Value	Parameter Description
0x00	No attempt is made to synchronize to the periodic advertising and no HCI_LE_Periodic_Advertising_Sync_Transfer_Received event is sent to the Host (default).
0x01	An HCI_LE_Periodic_Advertising_Sync_Transfer_Received event is sent to the Host. HCI_LE_Periodic_Advertising_Report events will be disabled.
0x02	An HCI_LE_Periodic_Advertising_Sync_Transfer_Received event is sent to the Host. HCI_LE_Periodic_Advertising_Report events will be enabled with duplicate filtering disabled.
0x03	An HCI_LE_Periodic_Advertising_Sync_Transfer_Received event is sent to the Host. HCI_LE_Periodic_Advertising_Report events will be enabled with duplicate filtering enabled.
All other values	Reserved for future use

Skip:

Size: 2 octets

Value	Parameter Description
0xXXXX	The number of periodic advertising packets that can be skipped after a successful receive Range: 0x0000 to 0x01F3

Sync_Timeout:

Size: 2 octets

Value	Parameter Description
N=0xXXXX	Synchronization timeout for the periodic advertising train Range: 0x000A to 0x4000 Time = N × 10 ms Time Range: 100 ms to 163.84 s

CTE_Type:

Size: 1 octet

Bit Number	Parameter Description
0	Do not sync to packets with an AoA Constant Tone Extension
1	Do not sync to packets with an AoD Constant Tone Extension with 1 μs slots
2	Do not sync to packets with an AoD Constant Tone Extension with 2 μs slots
4	Do not sync to packets without a Constant Tone Extension
All other values	Reserved for future use

**Return parameters:***Status:**Size: 1 octet*

Value	Parameter Description
0x00	HCI_LE_Set_Default_Periodic_Advertising_Sync_Transfer_-_Parameters command succeeded.
0x01 to 0xFF	HCI_LE_Set_Default_Periodic_Advertising_Sync_Transfer_-_Parameters command failed. See [Vol 1] Part F, Controller Error Codes for a list of error codes and descriptions.

Event(s) generated (unless masked away):

When the HCI_LE_Set_Default_Periodic_Advertising_Sync_Transfer_-_Parameters command has completed, an HCI_Command_Complete event shall be generated.

**7.8.93 [This section is no longer used]**

See [Section 7.8.37](#) for the LE Generate DHKey command.



7.8.94 LE Modify Sleep Clock Accuracy command

Command	OCF	Command Parameters	Return Parameters
HCI_LE_Modify_Sleep_Clock_Accuracy	0x005F	Action	Status

Description:

This command is used to request that the Controller changes its sleep clock accuracy for testing purposes. It should not be used under other circumstances.

The Action parameter specifies whether the sleep clock should be changed to one that is more accurate or one that is less accurate.

If Action is 0x00 and the Controller is already using its most accurate clock, or Action is 0x01 and the Controller is already using its least accurate clock, it shall return the error code *Limit Reached* (0x43).

If the Controller is unable to switch to a different clock accuracy because some other activity requires the current accuracy, it shall return the error code *Controller Busy* (0x3A).

If the Controller is unable to switch to a different sleep clock for any other reason, it shall return the error code *Command Disallowed* (0x0C).

Command parameters:

Action: *Size: 1 octet*

Value	Parameter Description
0x00	Switch to a more accurate clock
0x01	Switch to a less accurate clock
All other values	Reserved for future use

Return parameters:

Status: *Size: 1 octet*

Value	Parameter Description
0x00	HCI_LE_Modify_Sleep_Clock_Accuracy command succeeded
0x01 to 0xFF	HCI_LE_Modify_Sleep_Clock_Accuracy command failed. See [Vol 1] Part F, Controller Error Codes for a list of error codes and descriptions.

**Event(s) generated (unless masked away):**

When the HCI_LE_Modify_Sleep_Clock_Accuracy command has completed, an HCI_Command_Complete event shall be generated.

Note: The Controller might not have changed the clock when it returns the HCI_Command_Complete event indicating success, for example because it still needs to notify peers of the pending change.



7.8.95 [This section is no longer used]



7.8.96 LE Read ISO TX Sync command

Command	OCF	Command Parameters	Return Parameters
HCI_LE_Read_ISO_TX_Sync	0x0061	Connection_Handle	Status, Connection_Handle, Packet_Sequence_Number, TX_Time_Stamp, Time_Offset

Description:

This command is used to read the TX_Time_Stamp and Time_Offset of a transmitted SDU identified by the Packet_Sequence_Number on a CIS or BIS identified by the Connection_Handle parameter on the Central or Peripheral.

The Packet_Sequence_Number parameter contains the sequence number of a transmitted SDU.

The TX_Time_Stamp and Time_Offset parameters are described in [Vol 6] Part G, Section 3.3 and [Vol 6] Part G, Section 3.1 respectively. When the Connection_Handle identifies a CIS or BIS that is transmitting unframed PDUs, the value of Time_Offset returned shall be zero.

If the Host issues this command with a connection handle that does not exist, or the connection handle is not associated with a CIS or BIS, the Controller shall return the error code *Unknown Connection Identifier* (0x02).

If the Host issues this command on an existing connection handle for a CIS or BIS that is not configured for transmitting SDUs, the Controller shall return the error code *Command Disallowed* (0x0C).

If the Host issues this command before an SDU has been transmitted by the Controller, the Controller shall return the error code *Command Disallowed* (0x0C).

Command parameters:

Connection_Handle: *Size: 2 octets (12 bits meaningful)*

Value	Parameter Description
0xXXX	Connection handle of the CIS or BIS Range: 0x0000 to 0x0EFF

**Return parameters:***Status:**Size: 1 octet*

Value	Parameter Description
0x00	The HCI_LE_Read_ISO_TX_Sync command succeeded.
0x01 to 0xFF	The HCI_LE_Read_ISO_TX_Sync command failed. See [Vol 1] Part F, Controller Error Codes for a list of error codes and descriptions.

*Connection_Handle:**Size: 2 octets (12 bits meaningful)*

Value	Parameter Description
0xXXX	Connection handle of the CIS or BIS Range: 0x0000 to 0x0EFF

*Packet_Sequence_Number:**Size: 2 octets*

Value	Parameter Description
0x0000 to 0xFFFF	The packet sequence number of an SDU

*TX_Time_Stamp:**Size: 4 octets*

Value	Parameter Description
0x00000000 to 0xFFFFFFFF	The CIG reference point or BIG anchor point of a transmitted SDU derived using the Controller's free running reference clock (in microseconds).

*Time_Offset:**Size: 3 octets*

Value	Parameter Description
0x000000 to 0xFFFFFF	The time offset, in microseconds, that is associated with a transmitted SDU.

Event(s) generated (unless masked away):

When the HCI_LE_Read_ISO_TX_Sync command has completed, an HCI_Command_Complete event shall be generated.



7.8.97 LE Set CIG Parameters command

Command	OCF	Command Parameters	Return Parameters
HCI_LE_Set_CIG_Parameters	0x0062	CIG_ID, SDU_Interval_C_To_P, SDU_Interval_P_To_C, Worst_Case_SCA, Packing, Framing, Max_Transport_Latency_C_To_P, Max_Transport_Latency_P_To_C, CIS_Count, CIS_ID[i], Max_SDU_C_To_P[i], Max_SDU_P_To_C[i], PHY_C_To_P[i], PHY_P_To_C[i], RTN_C_To_P[i], RTN_P_To_C[i]	Status, CIG_ID, CIS_Count, Connection_Handle[i]

Description:

The HCI_LE_Set_CIG_Parameters command is used by a Central’s Host to create a CIG and to set the parameters of one or more CISes that are associated with a CIG in the Controller.

The CIG_ID parameter identifies a CIG. This parameter is allocated by the Central’s Host and passed to the Peripheral’s Host through the Link Layers during the process of creating a CIS. If the CIG_ID does not exist, then the Controller shall first create a new CIG. Once the CIG is created (whether through this command or previously), the Controller shall modify or add CIS configurations in the CIG that is identified by the CIG_ID and update all the parameters that apply to the CIG.

The SDU_Interval_C_To_P parameter specifies the time interval between the start of consecutive SDUs from the Central’s Host for all the CISes in the CIG. This parameter shall be ignored for all CISes that are unidirectional from Peripheral to Central.

The SDU_Interval_P_To_C parameter specifies the time interval between the start of consecutive SDUs from the Peripheral’s Host for all the CISes in the CIG. This parameter shall be ignored for all CISes that are unidirectional from Central to Peripheral.



The `Worst_Case_SCA` parameter shall be the worst-case sleep clock accuracy of all the Peripherals that will participate in the CIG. The Host should get the sleep clock accuracy from all the Peripherals before issuing this command. If the Host cannot get the sleep clock accuracy from all the Peripherals, it shall set the `Worst_Case_SCA` parameter to zero.

Note: The `Worst_Case_SCA` parameter can be used by the Link Layer to better allow for clock drift when scheduling the CISEs in the CIG. For example, if a CIS has more than two subevents, the Link Layer of the Central can set the timing of the subevents such that the worst case drift in the Peripheral's clock will not exceed $2 \times \text{Sub_Interval}$. This prevents the Peripheral from synchronizing its timing to the wrong subevent (adjacent subevents cannot be on the same channel).

The `Packing` parameter indicates the preferred method of arranging subevents of multiple CISEs. The subevents can be arranged in Sequential or Interleaved arrangement (see [\[Vol 6\] Part B, Section 4.5.14.2](#)). This is a recommendation to the Controller which the Controller may ignore. This parameter shall be ignored when there is only one CIS in the CIG.

The `Framing` parameter indicates the format of the CIS Data PDUs of the specified CISEs. If the `Framing` parameter is set to 1 then the CIS Data PDUs of the specified CISEs shall be framed. If the `Framing` parameter is set to 0 the CIS Data PDUs of a given CIS may be either unframed or framed (determined separately for each specified CIS) (see [\[Vol 6\] Part G, Section 1](#)).

The `Max_Transport_Latency_C_To_P` parameter contains the maximum transport latency from the Central to the Peripheral, in milliseconds, as described in [\[Vol 6\] Part G, Section 3.2.1](#) and [\[Vol 6\] Part G, Section 3.2.2](#). This parameter shall be ignored for all CISEs that are unidirectional from Peripheral to Central.

The `Max_Transport_Latency_P_To_C` parameter contains the maximum transport latency from the Peripheral to the Central, in milliseconds, as described in [\[Vol 6\] Part G, Section 3.2.1](#) and [\[Vol 6\] Part G, Section 3.2.2](#). This parameter shall be ignored for all CISEs that are unidirectional from Central to Peripheral.

The `CIS_Count` parameter indicates the number of CIS configurations being modified or added by this command. The Controller shall set the `CIS_Count` return parameter equal to this.

The `CIS_ID[i]` parameter identifies a CIS and is set by the Central's Host and passed to the Peripheral's Host through the Link Layers during the process of establishing a CIS.

The `Max_SDU_C_To_P[i]` parameter identifies the maximum size of an SDU from the Central's Host. If the CIS is unidirectional from Peripheral to Central, this parameter shall be set to 0. If a CIS configuration that is being modified has a data path set in the Central to Peripheral direction and the Host has



specified that `Max_SDU_C_To_P[i]` shall be set to zero, the Controller shall return the error code *Command Disallowed* (0x0C).

The `Max_SDU_P_To_C[i]` parameter identifies the maximum size of an SDU from the Peripheral's Host. If the CIS is unidirectional from Central to Peripheral, this parameter shall be set to 0. If a CIS configuration that is being modified has a data path set in the Peripheral to Central direction and the Host has specified that `Max_SDU_P_To_C[i]` shall be set to zero, the Controller shall return the error code *Command Disallowed* (0x0C).

The `PHY_C_To_P[i]` parameter identifies which PHY to use for transmission from the Central to the Peripheral. The Host shall set at least one bit in this parameter and the Controller shall pick a PHY from the bits that are set.

The `PHY_P_To_C[i]` parameter identifies which PHY to use for transmission from the Peripheral to the Central. The Host shall set at least one bit in this parameter and the Controller shall pick a PHY from the bits that are set.

The `RTN_C_To_P[i]` (Retransmission Number) parameter contains the number of times that a CIS Data PDU should be retransmitted from the Central to Peripheral before being acknowledged or flushed (irrespective of which CIS events the retransmission opportunities occur in). If the CIS is unidirectional from Peripheral to Central, this parameter shall be ignored. Otherwise, this parameter is a recommendation to the Controller which the Controller may ignore.

The `RTN_P_To_C[i]` parameter contains the number of times that a CIS Data PDU should be retransmitted from the Peripheral to Central before being acknowledged or flushed (irrespective of which CIS events the retransmission opportunities occur in). If the CIS is unidirectional from Central to Peripheral, this parameter shall be ignored. Otherwise, this parameter is a recommendation to the Controller which the Controller may ignore.

In each direction, if the Controller satisfies the recommendation, then every PDU will have at least $RTN+1$ opportunities for transmission (assuming that the initial transmission of that PDU happens at the earliest allowed subevent). The `RTN` value indicates that the Host is recommending that the Controller selects a combination of CIS parameters that satisfy the inequality:

$$NSE \times FT - \lfloor NSE \div BN \rfloor \times (BN - 1) \geq RTN + 1$$

If the Status return parameter is non-zero, then the state of the CIG and its CIS configurations shall not be changed by the command. If the CIG did not already exist, it shall not be created.

If the Status return parameter is zero, then the Controller shall set the `Connection_Handle` arrayed return parameter to the connection handle(s) corresponding to the CIS configurations specified in the `CIS_IDs` command parameter, in the same order. If the same `CIS_ID` is being reconfigured, the same connection handle shall be returned.



The connection handle of a CIS shall refer to the CIS when it exists and to the configuration of the CIS stored in a CIG when the CIG exists but the CIS with that CIS_ID does not.

If the Host issues this command when the CIG is not in the configurable state, the Controller shall return the error code *Command Disallowed* (0x0C).

If the Host attempts to create a CIG or set parameters that exceed the maximum supported resources in the Controller, the Controller shall return the error code *Memory Capacity Exceeded* (0x07).

If the Host attempts to set CIS parameters that exceed the maximum supported connections in the Controller, the Controller shall return the error code *Connection Limit Exceeded* (0x09).

If the Host sets, in the PHY_C_To_P[i] or PHY_P_To_C[i] parameters, a bit for a PHY that the Controller does not support, including a bit that is reserved for future use, the Controller shall return the error code *Unsupported Feature or Parameter Value* (0x11).

If the Controller does not support asymmetric PHYs and the Host sets PHY_C_To_P[i] to a different value than PHY_P_To_C[i], the Controller shall return the error code *Unsupported Feature or Parameter Value* (0x11).

If the Host specifies an invalid combination of CIS parameters, the Controller shall return the error code *Invalid HCI Command Parameters* (0x12) or the error code *Unsupported Feature or Parameter Value* (0x11); it should return the error code *Invalid HCI Command Parameters* (0x12).

Command parameters:

CIG_ID: *Size: 1 octet*

Value	Parameter Description
0x00 to 0xEF	Used to identify the CIG.
All other values	Reserved for future use

SDU_Interval_C_To_P: *Size: 3 octets*

Value	Parameter Description
0x0000FF to 0x0FFFFFF	The interval, in microseconds, of periodic SDUs.
All other values	Reserved for future use



SDU_Interval_P_To_C:

Size: 3 octets

Value	Parameter Description
0x0000FF to 0x0FFFFFF	The interval, in microseconds, of periodic SDUs.
All other values	Reserved for future use

Worst_Case_SCA:

Size: 1 octet

Value	Parameter Description
0x00	251 ppm to 500 ppm
0x01	151 ppm to 250 ppm
0x02	101 ppm to 150 ppm
0x03	76 ppm to 100 ppm
0x04	51 ppm to 75 ppm
0x05	31 ppm to 50 ppm
0x06	21 ppm to 30 ppm
0x07	0 ppm to 20 ppm
All other values	Reserved for future use

Packing:

Size: 1 octet

Value	Parameter Description
0x00	Sequential
0x01	Interleaved
All other values	Reserved for future use

Framing:

Size: 1 octet

Value	Parameter Description
0x00	Unframed
0x01	Framed
All other values	Reserved for future use

Max_Transport_Latency_C_To_P:

Size: 2 octets

Value	Parameter Description
0x0005 to 0x0-FA0	Maximum transport latency, in milliseconds, from the Central's Controller to the Peripheral's Controller.
All other values	Reserved for future use



Max_Transport_Latency_P_To_C:

Size: 2 octets

Value	Parameter Description
0x0005 to 0x0-FA0	Maximum transport latency, in milliseconds, from the Peripheral's Controller to the Central's Controller.
All other values	Reserved for future use

CIS_Count:

Size: 1 octet

Value	Parameter Description
0x00 to 0x1F	Total number of CIS configurations in the CIG being added or modified.
All other values	Reserved for future use

CIS_ID[i]:

Size: CIS_Count × 1 octet

Value	Parameter Description
0x00 to 0xEF	Used to identify a CIS
All other values	Reserved for future use

Max_SDU_C_To_P[i]:

Size: CIS_Count × 2 octets

Value	Parameter Description
0x0000 to 0x0FFF	Maximum size, in octets, of the payload from the Central's Host

Max_SDU_P_To_C[i]:

Size: CIS_Count × 2 octets

Value	Parameter Description
0x0000 to 0x0FFF	Maximum size, in octets, of the payload from the Peripheral's Host

PHY_C_To_P[i]:

Size: CIS_Count × 1 octet

Bit number	Parameter Description
0	The transmitter PHY of packets from the Central is LE 1M
1	The transmitter PHY of packets from the Central is LE 2M
2	The transmitter PHY of packets from the Central is LE Coded
All other bits	Reserved for future use

PHY_P_To_C[i]:

Size: CIS_Count × 1 octet

Bit number	Parameter Description
0	The transmitter PHY of packets from the Peripheral is LE 1M
1	The transmitter PHY of packets from the Peripheral is LE 2M



Bit number	Parameter Description
2	The transmitter PHY of packets from the Peripheral is LE Coded
All other bits	Reserved for future use

RTN_C_To_P[i]: *Size: CIS_Count × 1 octet*

Value	Parameter Description
0xXX	Number of times every CIS Data PDU should be retransmitted from the Central to the Peripheral

RTN_P_To_C[i]: *Size: CIS_Count × 1 octet*

Value	Parameter Description
0xXX	Number of times every CIS Data PDU should be retransmitted from the Peripheral to the Central

Return parameters:

Status: *Size: 1 octet*

Value	Parameter Description
0x00	The HCI_LE_Set_CIG_Parameters.command succeeded
0x01 to 0xFF	The HCI_LE_Set_CIG_Parameters command failed. See [Vol 1] Part F, Controller Error Codes for a list of error codes and descriptions.

CIG_ID: *Size: 1 octet*

Value	Parameter Description
0x00 to 0xEF	Used to identify a CIG
All other values	Reserved for future use

CIS_Count: *Size: 1 octet*

Value	Parameter Description
0x00 to 0x1F	Total number of CIS configurations added or modified by this command
All other values	Reserved for future use

Connection_Handle[i]: *Size: CIS_Count × 2 octets (12 bits meaningful)*

Value	Parameter Description
0xXXXX	Connection handle of the CIS in the CIG. Range: 0x0000 to 0x0EFF

**Event(s) generated (unless masked away):**

When the HCI_LE_Set_CIG_Parameters command has completed, an HCI_Command_Complete event shall be generated.



7.8.98 LE Set CIG Parameters Test command

Command	OCF	Command Parameters	Return Parameters
HCI_LE_Set_CIG_Parameters_Test	0x0063	CIG_ID, SDU_Interval_C_To_P, SDU_Interval_P_To_C, FT_C_To_P, FT_P_To_C, ISO_Interval, Worst_Case_SCA, Packing, Framing, CIS_Count, CIS_ID[i], NSE[i], Max_SDU_C_To_P[i], Max_SDU_P_To_C[i], Max_PDU_C_To_P[i], Max_PDU_P_To_C[i], PHY_C_To_P[i], PHY_P_To_C[i], BN_C_To_P[i], BN_P_To_C[i]	Status, CIG_ID, CIS_Count, Connection_Handle[i]

Description:

The HCI_LE_Set_CIG_Parameters_Test command should only be used for testing purposes.

The command is used by a Central’s Host to create a CIG and to set the parameters of one or more CISes that are associated with a CIG in the Controller.

The CIG_ID parameter identifies a CIG. This parameter is allocated by the Central’s Host and passed to the Peripheral’s Host through the Link Layers during the process of creating a CIS. If the CIG_ID does not exist, then the Controller shall first create a new CIG. Once the CIG is created (whether through this command or previously), the Controller shall modify or add CIS configurations in the CIG that is identified by the CIG_ID and update all the parameters that apply to the CIG.

The SDU_Interval_C_To_P parameter specifies the time interval of periodic SDUs from the Central’s Host.



The `SDU_Interval_P_To_C` parameter specifies the time interval of periodic SDUs from the Peripheral's Host.

The `FT_C_To_P` parameter identifies the maximum time for a payload from the Central to Peripheral to be transmitted and re-transmitted, after which it is flushed (see [\[Vol 6\] Part B, Section 4.5.13.5](#)). This parameter is expressed in multiples of `ISO_Interval`.

The `FT_P_To_C` parameter identifies the maximum time for a payload from the Peripheral to Central to be transmitted and re-transmitted, after which it is flushed (see [\[Vol 6\] Part B, Section 4.5.13.5](#)). This parameter is expressed in multiples of `ISO_Interval`.

The `ISO_Interval` parameter specifies the time between two consecutive CIS anchor points.

The `CIS_Count` parameter contains the number of CIS configurations being added or modified by this command. The Controller shall set the `CIS_Count` return parameter equal to this.

The `CIS_ID[i]` parameter identifies the CIS and is set by the Central's Host and passed to the Peripheral's Host through the Link Layers during the process of establishing a CIS.

The `Worst_Case_SCA` parameter is the worst-case sleep clock accuracy of all the Peripherals that will participate in the CIG. The Host should get the sleep clock accuracy from all the Peripherals before issuing this command. In case the Host cannot get the sleep clock accuracy from all the Peripherals, it shall set the `Worst_Case_SCA` parameter to zero.

Note: The `Worst_Case_SCA` parameter can be used by the Link Layer to better allow for clock drift when scheduling the CISEs in the CIG. For example, if a CIS has more than two subevents, the Link Layer of the Central can set the timing of the subevents such that the worst case drift in the Peripheral's clock will not exceed $2 \times \text{Sub_Interval}$. This prevents the Peripheral from synchronizing its timing to the wrong subevent (adjacent subevents cannot be on the same channel).

The `Packing` parameter is used to indicate the preferred method of arranging subevents of multiple CISEs. The subevents can be arranged in Sequential or Interleaved arrangement. This is a recommendation to the Controller which it may ignore. This parameter shall be ignored when there is only one CIS in the CIG.

The `Framing` parameter indicates the format of the CIS Data PDUs of all the CISEs. If the `Framing` parameter is set to 1 then the CIS Data PDUs of the specified CISEs shall be framed, and when set to 0 they shall be unframed (see [\[Vol 6\] Part G, Section 1](#)).

The `CIS_ID[i]` parameter is used to identify a CIS.



The NSE[i] parameter identifies the maximum number of subevents for each CIS in a CIG event.

The Max_SDU_C_To_P[i] parameter identifies the maximum size of SDU from the Central's Host. If the CIS is unidirectional from Peripheral to Central, this parameter shall be set to 0. If a CIS configuration that is being modified has a data path set in the Central to Peripheral direction and the Host has specified that Max_SDU_C_To_P[i] shall be set to zero, the Controller shall return the error code *Command Disallowed* (0x0C). The minimum value of the Max_SDU_Size parameter in the ISO Transmit Test mode when the Payload_Type = 1 or 2 shall be 4 octets.

The Max_SDU_P_To_C[i] parameter identifies the maximum size of SDU from the Peripheral's Host. If the CIS is unidirectional from Central to Peripheral, this parameter shall be set to 0. If a CIS configuration that is being modified has a data path set in the Peripheral to Central direction and the Host has specified that Max_SDU_P_To_C[i] shall be set to zero, the Controller shall return the error code *Command Disallowed* (0x0C). The minimum value of the Max_SDU parameter in the ISO Transmit Test mode when the Payload_Type = 1 or 2 shall be 4 octets.

The Max_PDU_C_To_P[i] parameter identifies the maximum size PDU from the Central to Peripheral.

The Max_PDU_P_To_C[i] parameter identifies the maximum size PDU from the Peripheral to Central.

The PHY_C_To_P[i] parameter identifies the PHY to be used for transmission of packets from the Central to the Peripheral. The Host shall set only one bit in this parameter and the Controller shall use the PHY set by the Host.

The PHY_P_To_C[i] parameter identifies the PHY to be used for transmission of packets from the Peripheral to the Central. The Host shall set only one bit in this parameter and the Controller shall use the PHY set by the Host.

The BN_C_To_P[i] parameter identifies the burst number for Central to Peripheral (see [\[Vol 6\] Part B, Section 4.5.13](#)). If the CIS is unidirectional from Peripheral to Central, this parameter shall be set to zero.

The BN_P_To_C[i] parameter identifies the burst number for Peripheral to Central (see [\[Vol 6\] Part B, Section 4.5.13](#)). If the CIS is unidirectional from Central to Peripheral, this parameter shall be set to zero.

If the Status return parameter is non-zero, then the state of the CIG and its CIS configurations shall not be changed by the command. If the CIG did not already exist, it shall not be created.

If the Status return parameter is zero, then the Controller shall set the Connection_Handle arrayed return parameter to the connection handle(s) corresponding to the CIS configurations specified in the CIS_IDs command



parameter, in the same order. If the same CIS_ID is being reconfigured, the same connection handle shall be returned.

If the Host issues this command when the CIG is not in the configurable state, the Controller shall return the error code *Command Disallowed* (0x0C).

If the Host attempts to create a CIG or set parameters that exceed the maximum supported resources in the Controller, the Controller shall return the error code *Memory Capacity Exceeded* (0x07).

If the Host attempts to set CIS parameters that exceed the maximum supported connections in the Controller, the Controller shall return the error code *Connection Limit Exceeded* (0x09).

If the Host attempts to set an invalid combination of CIS parameters, the Controller shall return the error code *Invalid HCI Command Parameters* (0x12) or the error code *Unsupported Feature or Parameter Value* (0x11); it should return the error code *Invalid HCI Command Parameters* (0x12).

If the Host sets, in the PHY_C_To_P[i] or PHY_P_To_C[i] parameters, a bit for a PHY that the Controller does not support, including a bit that is reserved for future use, the Controller shall return the error code *Unsupported Feature or Parameter Value* (0x11).

If the Controller does not support asymmetric PHYs and the Host sets PHY_C_To_P[i] to a different value than PHY_P_To_C[i], the Controller shall return the error code *Unsupported Feature or Parameter Value* (0x11).

Command parameters:

CIG_ID: *Size: 1 octet*

Value	Parameter Description
0x00 to 0xEF	Used to identify the CIG.
All other values	Reserved for future use.

SDU_Interval_C_To_P: *Size: 3 octets*

Value	Parameter Description
0x0000FF to 0x0FFFFFF	The interval, in microseconds, of periodic SDUs.
All other values	Reserved for future use.



SDU_Interval_P_To_C:

Size: 3 octets

Value	Parameter Description
0x0000FF to 0x0FFFFFFF	The interval, in microseconds, of periodic SDUs.
All other values	Reserved for future use.

FT_C_To_P:

Size: 1 octet

Value	Parameter Description
0xXX	The flush timeout in multiples of ISO_Interval for each payload sent from the Central to Peripheral. Range: 0x01 to 0xFF

FT_P_To_C:

Size: 1 octet

Value	Parameter Description
0xXX	The flush timeout in multiples of ISO_Interval for each payload sent from the Peripheral to Central. Range: 0x01 to 0xFF

ISO_Interval:

Size: 2 octets

Value	Parameter Description
N = 0xXXXX	Time between consecutive CIS anchor points. Range: 0x0004 to 0x0C80 Time = N × 1.25 ms Time Range: 5 ms to 4 s

Worst_Case_SCA:

Size: 1 octet

Value	Parameter Description
0x00	251 ppm to 500 ppm
0x01	151 ppm to 250 ppm
0x02	101 ppm to 150 ppm
0x03	76 ppm to 100 ppm
0x04	51 ppm to 75 ppm
0x05	31 ppm to 50 ppm
0x06	21 ppm to 30 ppm
0x07	0 ppm to 20 ppm
All other values	Reserved for future use



Packing:

Size: 1 octet

Value	Parameter Description
0x00	Sequential
0x01	Interleaved
All other values	Reserved for future use

Framing:

Size: 1 octet

Value	Parameter Description
0x00	Unframed
0x01	Framed
All other values	Reserved for future use

CIS_Count:

Size: 1 octet

Value	Parameter Description
0x00 to 0x1F	Total number of CIS configurations in the CIG being added or modified.
All other values	Reserved for future use

CIS_ID[i]:

Size: CIS_Count × 1 octet

Value	Parameter Description
0x00 to 0xEF	Used to identify a CIS
All other values	Reserved for future use

NSE[i]:

Size: CIS_Count × 1 octet

Value	Parameter Description
0x01 to 0x1F	Maximum number of subevents in each CIS event
All other values	Reserved for future use

Max_SDU_C_To_P[i]:

Size: CIS_Count × 2 octets

Value	Parameter Description
0x0000 to 0x0FFF	Maximum size, in octets, of the payload from the Central's Host
All other values	Reserved for future use



Max_SDU_P_To_C[i]:

Size: CIS_Count × 2 octets

Value	Parameter Description
0x0000 to 0x0FFF	Maximum size, in octets, of the payload from the Peripheral's Host
All other values	Reserved for future use

Max_PDU_C_To_P[i]:

Size: CIS_Count × 2 octets

Value	Parameter Description
0x0000 to 0x00FB	Maximum size, in octets, of the payload from the Central's Link Layer to the Peripheral's Link Layer.
All other values	Reserved for future use

Max_PDU_P_To_C[i]:

Size: CIS_Count × 2 octets

Value	Parameter Description
0x0000 to 0x00FB	Maximum size, in octets, of the payload from the Peripheral's Link Layer to the Central's Link Layer.
All other values	Reserved for future use

PHY_C_To_P[i]:

Size: CIS_Count × 1 octet

Bit number	Parameter Description
0	The transmitter PHY of packets from the Central is LE 1M
1	The transmitter PHY of packets from the Central is LE 2M
2	The transmitter PHY of packets from the Central is LE Coded
All other bits	Reserved for future use

PHY_P_To_C[i]:

Size: CIS_Count × 1 octet

Bit number	Parameter Description
0	The transmitter PHY of packets from the Peripheral is LE 1M
1	The transmitter PHY of packets from the Peripheral is LE 2M
2	The transmitter PHY of packets from the Peripheral is LE Coded
All other bits	Reserved for future use

BN_C_To_P[i]:

Size: CIS_Count × 1 octet

Value	Parameter Description
0x00	No isochronous data from the Central to the Peripheral
0x01 to 0x0F	The burst number for Central to Peripheral transmission
All other values	Reserved for future use



BN_P_To_C[i]:

Size: CIS_Count × 1 octet

Value	Parameter Description
0x00	No isochronous data from the Peripheral to the Central
0x01 to 0x0F	The burst number for Peripheral to Central transmission
All other values	Reserved for future use

Return parameters:

Status:

Size: 1 octet

Value	Parameter Description
0x00	The HCI_LE_Set_CIG_Parameters_Test command succeeded
0x01 to 0xFF	The HCI_LE_Set_CIG_Parameters_Test command failed. See [Vol 1] Part F, Controller Error Codes for a list of error codes and descriptions.

CIG_ID:

Size: 1 octet

Value	Parameter Description
0x00 to 0xEF	Used to identify a CIG
All other values	Reserved for future use

CIS_Count:

Size: 1 octet

Value	Parameter Description
0x00 to 0x1F	Total number of CIS configurations in the CIG being added or modified.
All other values	Reserved for future use

Connection_Handle[i]:

Size: CIS_Count × 2 octets (12 bits meaningful)

Value	Parameter Description
0xFFFF	Connection handle of the CIS in the CIG. Range: 0x0000 to 0x0EFF

Event(s) generated (unless masked away):

When the HCI_LE_Set_CIG_Parameters_Test command has completed, an HCI_Command_Complete event shall be generated.



7.8.99 LE Create CIS command

Command	OCF	Command Parameters	Return Parameters
HCI_LE_Create_CIS	0x0064	CIS_Count, CIS_Connection_Handle[i], ACL_Connection_Handle[i]	<i>none</i>

Description:

The HCI_LE_Create_CIS command is used by the Central's Host to create one or more CISes using the connections identified by the ACL_Connection_Handle arrayed parameter.

The CIS_Count parameter is the total number of CISes created by this command.

The CIS_Connection_Handle[i] parameter specifies the connection handle corresponding to the configuration of the CIS to be created and whose configuration is already stored in a CIG.

The ACL_Connection_Handle[i] parameter specifies the connection handle of the ACL connection associated with each CIS to be created. The list of the ACL_Connection_Handles shall be in the same order as the list of the CIS_Connection_Handles e.g., CIS_Connection_Handle[1] will connect to the Peripheral associated with the ACL_Connection_Handle[1].

If this command is issued on the Central before the devices have performed the Feature Exchange procedure, then the Controller shall complete that procedure before initiating the Connected Isochronous Stream Creation procedure (see [Vol 6] Part B, Section 5.1.15).

If any ACL_Connection_Handle[i] is not the handle of an existing ACL connection or any CIS_Connection_Handle[i] is not the handle of a CIS or CIS configuration, the Controller shall return the error code *Unknown Connection Identifier* (0x02).

If the Host attempts to create a CIS that has already been created, the Controller shall return the error code *Connection Already Exists* (0x0B).

If two different elements of the CIS_Connection_Handle arrayed parameter identify the same CIS, the Controller shall return the error code *Invalid HCI Command Parameters* (0x12).

If the Host issues this command before all the HCI_LE_CIS_Established events from the previous use of the command have been generated, the Controller shall return the error code *Command Disallowed* (0x0C).



If the Host issues this command on an ACL_Connection_Handle where the Controller is the Peripheral, the Controller shall return the error code *Command Disallowed* (0x0C).

Note: The order of the CIS connection handles in this command does not relate to the order of connection handles in the return parameters of the HCI_LE_Set_CIG_Parameters command or the HCI_LE_Set_CIG_Parameters_Test command.

If the Host issues this command when the Connected Isochronous Stream (Host Support) feature bit (see [Vol 6] Part B, Section 4.6.27) is not set, the Controller shall return the error code *Command Disallowed* (0x0C).

If the Host specified an invalid combination of parameters in the HCI_LE_Set_CIG_Parameters or HCI_LE_Set_CIG_Parameters_Test command that created the CIS configuration, but the Controller could not detect the problem without knowing the properties of the ACL connection associated with the CIS, then the Controller shall return an error which should use the error code *Unsupported Feature or Parameter Value* (0x11).

Note: If an error is reported in the HCI_Command_Status event, it means that no CIS is created and the Host cannot determine which CIS had the error. Therefore, in the case of an error that only affects one CIS of several, reporting the error in the HCI_LE_CIS_Established event for that CIS means that the remaining CISes are still created and the Host can determine which CIS had the error.

Command parameters:

CIS_Count: Size: 1 octet

Value	Parameter Description
0x01 to 0x1F	Total number of CISes to be created.
All other values	Reserved for future use

CIS_Connection_Handle[i]: Size: CIS_Count × 2 octets (12 bits meaningful)

Value	Parameter Description
0xXXXX	Connection handle of a CIS Range: 0x0000 to 0x0EFF

ACL_Connection_Handle[i]: Size: CIS_Count × 2 octets (12 bits meaningful)

Value	Parameter Description
0xXXXX	Connection handle of an ACL connection Range: 0x0000 to 0x0EFF

**Return parameters:**

None.

Event(s) generated (unless masked away):

When the Controller receives the HCI_LE_Create_CIS command, the Controller sends the HCI_Command_Status event to the Host. An HCI_LE_CIS_Established event will be generated for each CIS when it is established or if it is disconnected or considered lost before being established; until all the events are generated, the command remains pending.



7.8.100 LE Remove CIG command

Command	OCF	Command Parameters	Return Parameters
HCI_LE_Remove_CIG	0x0065	CIG_ID	Status, CIG_ID

Description:

The HCI_LE_Remove_CIG command is used by the Central’s Host to remove the CIG identified by CIG_ID.

The CIG_ID parameter contains the identifier of the CIG.

This command shall delete the CIG_ID and also delete the Connection_Handles of the CIS configurations stored in the CIG.

This command shall also remove the isochronous data paths that are associated with the Connection_Handles of the CIS configurations, which is equivalent to issuing the HCI_LE_Remove_ISO_Data_Path command (see [Section 7.8.110](#)).

If the Host tries to remove a CIG which is in the active state, then the Controller shall return the error code *Command Disallowed* (0x0C).

If the Host issues this command with a CIG_ID that does not exist, the Controller shall return the error code *Unknown Connection Identifier* (0x02).

Command parameters:

CIG_ID: *Size: 1 octet*

Value	Parameter Description
0x00 to 0xEF	Identifier of a CIG
All other values	Reserved for future use

Return parameters:

Status: *Size: 1 octet*

Value	Parameter Description
0x00	The HCI_LE_Remove_CIG command succeeded
0x01 to 0xFF	The HCI LE Remove_CIG command failed. See [Vol 1] Part F, Controller Error Codes for a complete list of error codes and descriptions.

**CIG_ID:***Size: 1 octet*

Value	Parameter Description
0x00 to 0xEF	Identifier of a CIG
All other values	Reserved for future use

Event(s) generated (unless masked away):

When the HCI_LE_Remove_CIG command has completed, an HCI_Command_Complete event shall be generated.



7.8.101 LE Accept CIS Request command

Command	OCF	Command Parameters	Return Parameters
HCI_LE_Accept_CIS_Request	0x0066	Connection_Handle	none

Description:

The HCI_LE_Accept_CIS_Request command is used by the Peripheral’s Host to inform the Controller to accept the request for the CIS that is identified by the Connection_Handle.

The command shall only be issued after an HCI_LE_CIS_Request event has occurred. The event contains the Connection_Handle of the CIS.

If the Peripheral’s Host issues this command with a Connection_Handle that does not exist, or the Connection_Handle is not for a CIS, the Controller shall return the error code *Unknown Connection Identifier (0x02)*.

If the Peripheral's Host issues this command with a Connection_Handle for a CIS that has already been established or that already has an HCI_LE_Accept_CIS_Request or HCI_LE_Reject_CIS_Request command in progress, the Controller shall return the error code *Command Disallowed (0x0C)*.

If the Central’s Host issues this command, the Controller shall return the error code *Command Disallowed (0x0C)*.

Command parameters:

Connection_Handle: *Size: 2 octets (12 bits meaningful)*

Value	Parameter Description
0xXXXX	Connection handle of the CIS Range: 0x0000 to 0x0EFF

Return parameters:

None.

Event(s) generated (unless masked away):

When the Controller receives the HCI_LE_Accept_CIS_Request command, the Controller sends the HCI_Command_Status event to the Host. An HCI_LE_CIS_Established event will be generated when the CIS is established or is considered lost before being established.



7.8.102 LE Reject CIS Request command

Command	OCF	Command Parameters	Return Parameters
HCI_LE_Reject_CIS_Request	0x0067	Connection_Handle, Reason	Status, Connection_Handle

Description:

The HCI_LE_Reject_CIS_Request command is used by the Peripheral's Host to inform the Controller to reject the request for the CIS that is identified by the Connection_Handle.

The command shall only be issued after an HCI_LE_CIS_Request event has occurred. The event contains the Connection_Handle of the CIS.

When this command succeeds, the Controller shall delete the Connection_Handle of the requested CIS.

The Reason command parameter indicates the reason for rejecting the CIS request.

If the Peripheral's Host issues this command with a Connection_Handle that is not for a CIS, the Controller shall return the error code *Unknown Connection Identifier* (0x02).

If the Peripheral's Host issues this command with a Connection_Handle for a CIS that has already been established or that already has an HCI_LE_Accept_CIS_Request or HCI_LE_Reject_CIS_Request command in progress, the Controller shall return the error code *Command Disallowed* (0x0C).

If the Central's Host issues this command, the Controller shall return the error code *Command Disallowed* (0x0C).

Command parameters:

Connection_Handle: *Size: 2 octets (12 bits meaningful)*

Value	Parameter Description
0xXXXX	Connection handle of the CIS to be rejected Range: 0x0000 to 0x0EFF

Reason: *Size: 1 octet*

Value	Parameter Description
0xXX	Reason the CIS request was rejected. See [Vol 1] Part F, Controller Error Codes for a list of error codes and descriptions.

**Return parameters:***Status:**Size: 1 octet*

Value	Parameter Description
0x00	The HCI_LE_Reject_CIS_Request command succeeded.
0x01 to 0xFF	The HCI_LE_Reject_CIS_Request command failed. See [Vol 1] Part F, Controller Error Codes for a list of error codes and descriptions.

*Connection_Handle:**Size: 2 octets (12 bits meaningful)*

Value	Parameter Description
0xXXXX	The connection handle of the CIS to be rejected Range: 0x0000 to 0x0EFF

Event(s) generated (unless masked away):

When the HCI_LE_Reject_CIS_Request command has completed, an HCI_Command_Complete event shall be generated.



7.8.103 LE Create BIG command

Command	OCF	Command Parameters	Return Parameters
HCI_LE_Create_BIG	0x0068	BIG_Handle, Advertising_Handle, Num_BIS, SDU_Interval, Max_SDU, Max_Transport_Latency, RTN, PHY, Packing, Framing, Encryption, Broadcast_Code	<i>none</i>

Description:

The HCI_LE_Create_BIG command is used to create a BIG with one or more BISes (see [Vol 6] Part B, Section 4.4.6). All BISes in a BIG have the same value for all parameters.

The BIG_Handle contains the identifier of the BIG. This parameter is allocated by the Host and used by the Controller and the Host to identify a BIG.

The Advertising_Handle identifies the associated periodic advertising train of the BIG (see [Vol 6] Part B, Section 4.4.5.1).

The Num_BIS parameter contains the total number of BISes in the BIG.

The SDU_Interval parameter contains the time interval of the periodic SDUs.

The Max_SDU parameter contains the maximum size of an SDU.

The Max_Transport_Latency parameter is the maximum transport latency (in milliseconds) as described in [Vol 6] Part G, Section 3.2.1 and [Vol 6] Part G, Section 3.2.2. This includes pre-transmissions.

The RTN (Retransmission Number) parameter contains the number of times every PDU should be retransmitted, irrespective of which BIG events the retransmissions occur in. This is a recommendation to the Controller which the Controller may ignore.

The PHY parameter is a bit field that indicates the PHY used for transmission of PDUs of BISes in the BIG. The Host shall set at least one bit in this parameter and the Controller shall pick a PHY from the bits set. If the Host sets, in the PHY parameter, a bit for a PHY that the Controller does not



support, including a bit that is reserved for future use, the Controller shall return the error code *Unsupported Feature or Parameter Value* (0x11).

The Packing parameter is used to indicate the preferred method of arranging subevents of multiple BISes. The subevents can be arranged in Sequential or Interleaved arrangement. This is a recommendation to the Controller which it may ignore. This parameter shall be ignored when there is only one BIS in the BIG.

The Framing parameter indicates the format for sending BIS Data PDUs. If the Framing parameter is set to 1 then BIS Data PDUs shall be Framed and when set to 0 they may be unframed (see [Vol 6] Part G, Section 1).

The Encryption parameter identifies the encryption mode of the BISes. If the Encryption parameter is set to 1 (encrypted), the Broadcast_Code is used in the encryption of payloads (see [Vol 6] Part B, Section 4.4.6.10).

The Broadcast_Code parameter is used to generate the encryption key for encrypting payloads of all BISes. When the Encryption parameter is set to 0 (unencrypted), the Broadcast_Code parameter shall be set to zero by the Host and ignored by the Controller.

If the Controller cannot create all BISes of the BIG or if Num_BIS exceeds the maximum value supported by the Controller, it shall return the error code *Connection Rejected due to Limited Resources* (0x0D).

If the Advertising_Handle does not identify a periodic advertising train or the periodic advertising train is associated with another BIG, the Controller shall return the error code *Unknown Advertising Identifier* (0x42).

If the Host issues this command with a BIG_Handle for a BIG that is already created, the Controller shall return the error code *Command Disallowed* (0x0C).

If the Host specifies an invalid combination of BIG parameters, the Controller shall return an error which should use the error code *Invalid HCI Command Parameters* (0x12).

If the length of the associated periodic advertising, with the BIGInfo added to the ACAD, is greater than the maximum that the Controller can transmit within the periodic advertising interval, then the Controller shall return an error and should use the error code *Packet Too Long* (0x45). If advertising on the LE Coded PHY, then the S=8 coding shall be assumed unless the current advertising parameters require the use of S=2 for an advertising physical channel, in which case the S=2 coding shall be assumed for that advertising physical channel.

**Command parameters:***BIG_Handle:**Size: 1 octet*

Value	Parameter Description
0x00 to 0xEF	Used to identify the BIG.
All other values	Reserved for future use

*Advertising_Handle:**Size: 1 octet*

Value	Parameter Description
0x00 to 0xEF	Used to identify the periodic advertising train.
All other values	Reserved for future use

*Num_BIS:**Size: 1 octet*

Value	Parameter Description
0x01 to 0x1F	Total number of BISes in the BIG.
All other values	Reserved for future use

*SDU_Interval:**Size: 3 octets*

Value	Parameter Description
0x0000FF to 0x0FFFFFF	The interval, in microseconds, of periodic SDUs.
All other values	Reserved for future use

*Max_SDU:**Size: 2 octets*

Value	Parameter Description
0x0001 to 0x0FFF	Maximum size of an SDU, in octets.
All other values	Reserved for future use

*Max_Transport_Latency:**Size: 2 octets*

Value	Parameter Description
0x0005 to 0x0-FA0	Maximum transport latency, in milliseconds.
All other values	Reserved for future use



RTN:

Size: 1 octet

Value	Parameter Description
0x00 to 0x1E	The number of times that every BIS Data PDU should be retransmitted.
All other values	Reserved for future use

PHY:

Size: 1 octet

Bit number	Parameter Description
0	The transmitter PHY of packets is LE 1M.
1	The transmitter PHY of packets is LE 2M.
2	The transmitter PHY of packets is LE Coded.
All other bits	Reserved for future use

Packing:

Size: 1 octet

Value	Parameter Description
0x00	Sequential
0x01	Interleaved
All other values	Reserved for future use

Framing:

Size: 1 octet

Value	Parameter Description
0x00	Unframed
0x01	Framed
All other values	Reserved for future use

Encryption:

Size: 1 octet

Value	Parameter Description
0x00	Unencrypted
0x01	Encrypted
All other values	Reserved for future use

Broadcast_Code:

Size: 16 octets

Value	Parameter Description
0xFFFFFFFFXX XXXXXXXXXXXX XXXXXXXXXXXX	The code used to derive the session key that is used to encrypt and decrypt BIS payloads.

**Return parameters:**

None.

Event(s) generated (unless masked away):

When the Controller receives the HCI_LE_Create_BIG command, the Controller sends the HCI_Command_Status event to the Host. When the HCI_LE_Create_BIG command has completed, the HCI_LE_Create_BIG_Complete event is generated.



7.8.104 LE Create BIG Test command

Command	OCF	Command Parameters	Return Parameters
HCI_LE_Create_BIG_Test	0x0069	BIG_Handle, Advertising_Handle, Num_BIS, SDU_Interval, ISO_Interval, NSE, Max_SDU, Max_PDU, PHY, Packing, Framing, BN, IRC, PTO, Encryption, Broadcast_Code	<i>none</i>

Description:

The HCI_LE_Create_BIG_Test command should only be used for testing purposes.

The command is used to create one or more BISes of a BIG (see [\[Vol 6\] Part B, Section 4.4.6](#)). All BISes in the BIG have the same values for all parameters.

The BIG_Handle contains the identifier of the BIG. This parameter is allocated by the Host and used by the Controller and the Host to identify a BIG.

The Advertising_Handle identifies the associated periodic advertising train of the BIG.

The Num_BIS parameter contains the total number of BISes in the BIG.

The SDU_Interval parameter specifies the time interval of the periodic SDUs.

The ISO_Interval parameter contains the time duration between two consecutive BIG anchor points.

The NSE (Number of SubEvents) parameter contains the total number of subevents that are used to transmit BIS Data PDUs for each BIS in a BIG event. The NSE parameter shall be greater than or equal to $IRC \times BN$.



The Max_SDU parameter contains the maximum size, in octets, of an SDU. The minimum value of the Max_SDU parameter in the ISO Transmit Test mode when the Payload_Type = 1 or 2 shall be 4.

The Max_PDU parameter contains the maximum size of every BIS Data PDU for every BIS in the BIG.

The PHY parameter is a bit field that indicates the PHY used for transmission of PDUs of BISes in the BIG. The Host shall set only one bit in this parameter and the Controller shall use the PHY set by the Host. If the Host sets, in the PHY parameter, a bit for a PHY that the Controller does not support, including a bit that is reserved for future use, the Controller shall return the error code *Unsupported Feature or Parameter Value* (0x11).

The Packing parameter indicates the preferred method of arranging subevents of multiple BISes. The subevents can be arranged in Sequential or Interleaved arrangement. This is a recommendation to the Controller which it may ignore. This parameter shall be ignored when there is only one BIS in the BIG.

The Framing parameter indicates the format of BIS Data PDUs. If the Framing parameter is set to 1 then BIS Data PDUs shall be Framed and when set to 0 the BIS Data PDUs shall be unframed (see [Vol 6] Part G, Section 1).

The BN (Burst Number) parameter contains the number of new payloads for each BIS in a BIS event.

The IRC (Immediate Repetition Count) parameter contains the number of times the scheduled data packet is transmitted (see [Vol 6] Part B, Section 4.4.6). The IRC parameter shall be an integer in the range 1 to $(NSE \div BN)$.

The PTO (Pre_Transmission_Offset) parameter contains the offset in number of ISO_Intervals for pre transmissions of data packets (see [Vol 6] Part B, Section 4.4.6).

The Encryption parameter identifies the encryption mode of the BISes in the BIG. If the Encryption parameter is set to 1 (encrypted), the Broadcast_Code is used in the encryption of payloads (see [Vol 6] Part B, Section 4.4.6).

The Broadcast_Code parameter is a 16-octet field that is used to generate the session key to encrypt payloads of all BISes in the BIG. When the Encryption parameter is set to 0 (unencrypted), all 16 octets of the Broadcast_Code parameter shall be set to zero by the Host and ignored by the Controller.

If the Controller cannot create all BISes of the BIG or if Num_BIS exceeds the maximum value supported by the Controller, it shall return the error code *Connection Rejected due to Limited Resources* (0x0D).

If the Advertising_Handle does not identify a periodic advertising train or the periodic advertising train is associated with another BIG, the Controller shall return the error code *Unknown Advertising Identifier* (0x42).



If the Host issues this command with a *BIG_Handle* for a BIG that is already created, the Controller shall return the error code *Command Disallowed* (0x0C).

If the value of the *Max_PDU*, *NSE*, *BN*, *IRC* or *PTO* parameters exceeds the values supported by the Controller, the Controller shall return the error code *Unsupported Feature or Parameter Value* (0x11).

If the Host specifies an invalid combination of BIG parameters, the Controller shall return an error. If the value of the *NSE* parameter is not an integer multiple of *BN*, or *NSE* is less than ($IRC \times BN$), or the parameters are not in the specified range, these errors shall use the error code *Unsupported Feature or Parameter Value* (0x11). The errors in all other circumstances should use the error code *Invalid HCI Command Parameters* (0x12).

If the length of the associated periodic advertising, with the *BIGInfo* added to the *ACAD*, is greater than the maximum that the Controller can transmit within the periodic advertising interval, then the Controller shall return an error and should use the error code *Packet Too Long* (0x45). If advertising on the LE Coded PHY, then the *S=8* coding shall be assumed unless the current advertising parameters require the use of *S=2* for an advertising physical channel, in which case the *S=2* coding shall be assumed for that advertising physical channel.

Command parameters:

BIG_Handle:

Size: 1 octet

Value	Parameter Description
0x00 to 0xEF	Used to identify the BIG
All other values	Reserved for future use

Advertising_Handle:

Size: 1 octet

Value	Parameter Description
0x00 to 0xEF	Used to identify the periodic advertising train
All other values	Reserved for future use

Num_BIS:

Size: 1 octet

Value	Parameter Description
0x01 to 0x1F	Total number of BISes in the BIG
All other values	Reserved for future use



SDU_Interval:

Size: 3 octets

Value	Parameter Description
0x0000FF to 0x0FFFFFF	The interval, in microseconds, of periodic SDUs.
All other values	Reserved for future use

ISO_Interval:

Size: 2 octets

Value	Parameter Description
N = 0xXXXX	The time between consecutive BIG anchor points. Range: 0x0004 to 0x0C80 Time = N × 1.25 ms Time Range: 5 ms to 4 s

NSE:

Size: 1 octet

Value	Parameter Description
0x01 to 0x1F	The total number of subevents in each interval of each BIS in the BIG.
All other values	Reserved for future use

Max_SDU:

Size: 2 octets

Value	Parameter Description
0x0001 to 0x0FFF	Maximum size, in octets, of an SDU
All other values	Reserved for future use

Max_PDU:

Size: 2 octets

Value	Parameter Description
0x0001 to 0x00FB	Maximum size, in octets, of payload
All other values	Reserved for future use

PHY:

Size: 1 octet

Bit number	Parameter Description
0	The transmitter PHY of packets is LE 1M.
1	The transmitter PHY of packets is LE 2M.
2	The transmitter PHY of packets is LE Coded.
All other bits	Reserved for future use



Packing:

Size: 1 octet

Value	Parameter Description
0x00	Sequential
0x01	Interleaved
All other values	Reserved for future use

Framing:

Size: 1 octet

Value	Parameter Description
0x00	Unframed
0x01	Framed
All other values	Reserved for future use

BN:

Size: 1 octet

Value	Parameter Description
0x01 to 0x07	The number of new payloads in each interval for each BIS.
All other values	Reserved for future use

IRC:

Size: 1 octet

Value	Parameter Description
0x01 to 0x0F	The number of times the scheduled payloads are transmitted in a given event.
All other values	Reserved for future use

PTO:

Size: 1 octet

Value	Parameter Description
0x00 to 0x0F	Offset used for pre-transmissions
All other values	Reserved for future use

Encryption:

Size: 1 octet

Value	Parameter Description
0x00	Unencrypted
0x01	Encrypted
All other values	Reserved for future use



Broadcast_Code:

Size: 16 octets

Value	Parameter Description
0XXXXXXXXXXXXX XXXXXXXXXXXXX XXXXXXXXXXXXX	The code used to derive the session key that is used to encrypt and decrypt BIS payloads.

Return parameters:

None.

Event(s) generated (unless masked away):

When the Controller receives the HCI_LE_Create_BIG_Test command, the Controller sends the HCI_Command_Status event to the Host. When the HCI_LE_Create_BIG_Test command has completed, the HCI_LE_Create_BIG_Complete event is generated.



7.8.105 LE Terminate BIG command

Command	OCF	Command Parameters	Return Parameters
HCI_LE_Terminate_BIG	0x006A	BIG_Handle, Reason	<i>none</i>

Description:

The HCI_LE_Terminate_BIG command is used to terminate a BIG identified by the BIG_Handle parameter. The command also terminates the transmission of all BISes of the BIG, destroys the associated connection handles of the BISes in the BIG and removes the data paths for all BISes in the BIG.

The Reason parameter is used to indicate the reason why the BIG is to be terminated.

If the BIG_Handle does not identify a BIG, the Controller shall return the error code *Unknown Advertising Identifier* (0x42).

If the Controller is not the Isochronous Broadcaster for the BIG identified by BIG_Handle, the Controller shall return the error code *Command Disallowed* (0x0C).

Command parameters:

BIG_Handle:

Size: 1 octet

Value	Parameter Description
0x00 to 0xEF	Used to identify the BIG.
All other values	Reserved for future use

Reason:

Size: 1 octet

Value	Parameter Description
0xXX	Reason the BIG is terminated. See [Vol 1] Part F, Controller Error Codes for a list of error codes and descriptions.

Return parameters:

None.

Event(s) generated (unless masked away):

When the Controller receives the HCI_LE_Terminate_BIG command, the Controller sends the HCI_Command_Status event to the Host.

When the HCI_LE_Terminate_BIG command has completed, the HCI_LE_Terminate_BIG_Complete event will be generated.



If the Host attempts to terminate a BIG while the process of establishment of the BIG is in progress (i.e. HCI_LE_Create_BIG_Complete event has not been generated) the process of establishment shall stop and the Controller shall generate the HCI_LE_Create_BIG_Complete event to the Host with the error code *Operation Cancelled by Host* (0x44).



7.8.106 LE BIG Create Sync command

Command	OCF	Command Parameters	Return Parameters
HCI_LE_BIG_Create_Sync	0x006B	BIG_Handle, Sync_Handle, Encryption, Broadcast_Code, MSE, BIG_Sync_Timeout, Num_BIS, BIS[i]	<i>none</i>

Description:

The HCI_LE_BIG_Create_Sync command is used to synchronize to a BIG described in the periodic advertising train specified by the Sync_Handle parameter.

The BIG_Handle parameter is assigned by the Host to identify the synchronized BIG.

The Encryption parameter indicates whether the Broadcast_Code parameter is valid.

The Broadcast_Code parameter is a 16-octet field that is used to generate the session key to encrypt or decrypt payloads of an encrypted BIS. Broadcast_Code shall be ignored by the Controller if Encryption is set to 0x00.

If Encryption is set to 0x00 for an encrypted BIG or is set to 0x01 for an unencrypted BIG, then the Controller shall return the error *Encryption Mode Not Acceptable* (0x25).

The MSE (Maximum Subevents) parameter is the maximum number of subevents that a Controller should use to receive data payloads in each interval for a BIS.

The BIG_Sync_Timeout parameter specifies the maximum permitted time between successful receptions of BIS PDUs. If this time is exceeded, synchronization is lost. When the Controller establishes synchronization and if the BIG_Sync_Timeout set by the Host is less than $6 \times \text{ISO_Interval}$, the Controller shall set the timeout to $6 \times \text{ISO_Interval}$.

The Num_BIS parameter contains the number of BIS indices specified in the BIS arrayed parameter. The number of BISes requested may be a subset of the BISes available in the BIG.



The BIS arrayed parameter is a list of indices corresponding to BIS(es) in the synchronized BIG. The list of BIS indices shall be in ascending order and shall not contain any duplicates. This list of specified BIS(es) may be all or a subset of BISes available in the BIG.

If the Sync_Handle does not exist, the Controller shall return the error code *Unknown Advertising Identifier* (0x42).

If the Host sends this command with a BIG_Handle that is already allocated, the Controller shall return the error code *Command Disallowed* (0x0C).

If the information describing the BIG does not specify a PHY supported by the Controller or does not specify exactly one PHY, the Controller shall return the error code *Unsupported Feature or Parameter Value* (0x11).

If the Num_BIS parameter is greater than the total number of BISes in the BIG, the Controller shall return the error code *Unsupported Feature or Parameter Value* (0x11).

If the Host sends this command when the Controller is in the process of synchronizing to any BIG, i.e. the HCI_LE_BIG_Sync_Established event has not been generated, the Controller shall return the error code *Command Disallowed* (0x0C).

If the Controller is unable to receive PDUs from the specified number of BISes in the synchronized BIG, it shall return the error code *Connection Rejected Due To Limited Resources* (0x0D).

Command parameters:

BIG_Handle: *Size: 1 octet*

Value	Parameter Description
0x00 to 0xEF	Used to identify the BIG
All other values	Reserved for future use

Sync_Handle: *Size: 2 octets (12 bits meaningful)*

Value	Parameter Description
0xXXXX	Identifier of the periodic advertising train Range: 0x0000 to 0x0EFF



Encryption:

Size: 1 octet

Value	Parameter Description
0x00	Broadcast_Code invalid
0x01	Broadcast_Code valid
All other values	Reserved for future use

Broadcast_Code:

Size: 16 octets

Value	Parameter Description
0XXXXXXXXXXXX XXXXXXXXXXXX XXXXXXXXXXXX	128-bit code used for deriving the session key for decrypting payloads of BISes in the BIG.

MSE:

Size: 1 octet

Value	Parameter Description
0x00	The Controller can schedule reception of any number of subevents up to NSE.
0x01 to 0x1F	Maximum number of subevents that should be used to receive data payloads in each BIS event
All other values	Reserved for future use

BIG_Sync_Timeout:

Size: 2 octets

Value	Parameter Description
N = 0XXXX	Synchronization timeout for the BIG Range: 0x000A to 0x4000 Time = N × 10 ms Time Range: 100 ms to 163.84 s

Num_BIS:

Size: 1 octet

Value	Parameter Description
0x01 to 0x1F	Total number of BISes to synchronize
All other values	Reserved for future use

BIS[i]:

Size: Num_BIS × 1 octet

Value	Parameter Description
0x01 to 0x1F	Index of a BIS
All other values	Reserved for future use

**Return parameters:**

None.

Event(s) generated (unless masked away):

When the Controller receives the HCI_LE_BIG_Create_Sync command, the Controller sends the HCI_Command_Status event to the Host. When the HCI_LE_BIG_Create_Sync command has completed, the HCI_LE_BIG_Sync_Established event will be generated.



7.8.107 LE BIG Terminate Sync command

Command	OCF	Command Parameters	Return Parameters
HCI_LE_BIG_Terminate_Sync	0x006C	BIG_Handle	Status, BIG_Handle

Description:

The HCI_LE_BIG_Terminate_Sync command is used to stop synchronizing or cancel the process of synchronizing to the BIG identified by the BIG_Handle parameter. The command also terminates the reception of BISes in the BIG specified in the HCI_LE_BIG_Create_Sync command, destroys the associated connection handles of the BISes in the BIG and removes the data paths for all BISes in the BIG.

If the Host issues this command with a BIG_Handle that does not exist, the Controller shall return the error code *Unknown Advertising Identifier* (0x42).

If the Host issues this command for a BIG which it is neither synchronized to nor in the process of synchronizing to, then the Controller shall return the error code *Command Disallowed* (0x0C).

Command parameters:

BIG_Handle: *Size: 1 octet*

Value	Parameter Description
0x00 to 0xEF	Identifier of the BIG
All other values	Reserved for future use

Return parameters:

Status: *Size: 1 octet*

Value	Parameter Description
0x00	The HCI_LE_BIG_Terminate_Sync command succeeded
0x01 to 0xFF	The HCI_LE_BIG_Terminate_Sync command failed. See [Vol 1] Part F, Controller Error Codes for a list of error codes and descriptions.

BIG_Handle: *Size: 1 octet*

Value	Parameter Description
0x00 to 0xEF	Identifier of the BIG
All other values	Reserved for future use

**Event(s) generated (unless masked away):**

When the HCI_LE_BIG_Terminate_Sync command has completed, an HCI_Command_Complete event shall be generated.

If the Host attempts to terminate synchronization with a BIG while the process of synchronization with that BIG is in progress (i.e. HCI_LE_BIG_Sync_Established event has not been generated) the process of synchronization shall stop, and the Controller shall generate the HCI_LE_BIG_Sync_Established event to the Host with the error code *Operation Cancelled by Host* (0x44).



7.8.108 LE Request Peer SCA command

Command	OCF	Command Parameters	Return Parameters
HCI_LE_Request_Peer_SCA	0x006D	Connection_Handle	none

Description:

This command is used to read the Sleep Clock Accuracy (SCA) of the peer device.

The Connection_Handle parameter is the connection handle of the ACL connection.

If the Host sends this command with a Connection_Handle that does not exist, or the Connection_Handle is not for an ACL the Controller shall return the error code *Unknown Connection Identifier* (0x02).

If the Host sends this command and the peer device does not support the Sleep Clock Accuracy Updates feature, the Controller shall return the error code *Unsupported Feature or Parameter Value* (0x11) in the HCI_LE_Request_Peer_SCA_Complete event.

If the Host issues this command when the Controller is aware (e.g., through a previous feature exchange) that the peer device's Link Layer does not support the Sleep Clock Accuracy Updates feature, the Controller shall return the error code *Unsupported Remote Feature* (0x1A).

Command parameters:

Connection_Handle: *Size: 2 octets (12 bits meaningful)*

Value	Parameter Description
0xXXXX	Connection handle of the ACL Range 0x0000 to 0x0EFF

Return parameters:

None.

Event(s) generated (unless masked away):

When the Controller receives the HCI_LE_Request_Peer_SCA command, the Controller sends the HCI_Command_Status event to the Host. When the HCI_LE_Request_Peer_SCA command has completed, the HCI_LE_Request_Peer_SCA_Complete event shall be generated.



7.8.109 LE Setup ISO Data Path command

Command	OCF	Command Parameters	Return Parameters
HCI_LE_Setup_ISO_Data_Path	0x006E	Connection_Handle, Data_Path_Direction, Data_Path_ID, Codec_ID, Controller_Delay, Codec_Configuration_Length, Codec_Configuration	Status, Connection_Handle

Description:

The HCI_LE_Setup_ISO_Data_Path command is used to identify and create the isochronous data path between the Host and the Controller for a CIS, CIS configuration, or BIS identified by the Connection_Handle parameter. This command can also be used to configure a codec for each data path. When a connection is created no data paths are set up for that connection.

The input and output directions are defined from the perspective of the Controller, so "input" refers to data flowing from the Host to the Controller.

If the Host issues this command more than once for the same Connection_Handle and direction before issuing the HCI_LE_Remove_ISO_Data_Path command for that Connection_Handle and direction, the Controller shall return the error code *Command Disallowed* (0x0C).

If the Host issues this command for a CIS on a Peripheral before it has issued the HCI_LE_Accept_CIS_Request command for that CIS, then the Controller shall return the error code *Command Disallowed* (0x0C).

The Data_Path_Direction parameter specifies the direction for which the data path is being configured.

The Data_Path_ID parameter specifies the data transport path used. When set to 0x00, the data path shall be over the HCI transport. When set to a value in the range 0x01 to 0xFE, the data path shall use a vendor-specific transport interface (e.g., a PCM interface) with logical transport numbers. The meanings of these logical transport numbers are vendor-specific.

If the Host issues this command for a vendor-specific data transport path that has not been configured, the Controller shall return the error code *Command Disallowed* (0x0C).

If the Host attempts to set a data path with a Connection Handle that does not exist or that is not for a CIS, CIS configuration, or BIS, the Controller shall return the error code *Unknown Connection Identifier* (0x02).



If the Host attempts to set an output data path using a connection handle that is for an Isochronous Broadcaster, for an input data path on a Synchronized Receiver, or for a data path for the direction on a unidirectional CIS where BN is set to 0, the Controller shall return the error code *Command Disallowed* (0x0C).

The Codec_ID parameter specifies the coding format used over the air.

When Data_Path_Direction is set to 0x00 (input), the Controller_Delay parameter specifies the delay at the data source from the reference time of an SDU to the CIG reference point (see [Vol 6] Part B, Section 4.5.14.1) or BIG anchor point (see [Vol 6] Part B, Section 4.4.6.4). When Data_Path_Direction is set to 0x01 (output), Controller_Delay specifies the delay from the SDU_Synchronization_Reference to the point in time at which the Controller begins to transfer the corresponding data to the data path interface. The Host should use the HCI_Read_Local_Supported_Controller_Delay command to obtain a suitable value for Controller_Delay.

Note: Controller vendors may provide additional guidance to the Host on how to select a suitable Controller_Delay value from the range of values provided by the HCI_Read_Local_Supported_Controller_Delay command for various configurations of the data path interface.

The Codec_Configuration parameter specifies codec-specific configuration information for the specified direction.

If the Host issues this command with Codec_Configuration_Length non-zero and Codec_ID set to transparent air mode, the Controller shall return the error code *Invalid HCI Command Parameters* (0x12).

If the Host issues this command with codec-related parameters that exceed the bandwidth and latency allowed on the established CIS or BIS identified by the Connection_Handle parameter, the Controller shall return the error code *Invalid HCI Command Parameters* (0x12).

Command parameters:

Connection_Handle: Size: 2 octets (12 bits meaningful)

Value	Parameter Description
0xXXXX	Connection handle of the CIS or BIS Range: 0x0000 to 0x0EFF



Data_Path_Direction:

Size: 1 octet

Value	Parameter Description
0x00	Input (Host to Controller)
0x01	Output (Controller to Host)
All other values	Reserved for future use

Data_Path_ID:

Size: 1 octet

Value	Parameter Description
0x00	HCI
0x01 to 0xFE	Logical_Channel_Number. The meaning of the logical channel is vendor-specific.
0xFF	Reserved for future use

Codec_ID:

Size: 5 octets

Value	Parameter Description
Octet 0	See Assigned Numbers for Coding Format
Octets 1 to 2	Company ID, see Assigned Numbers for Company Identifier. Shall be ignored if octet 0 is not 0xFF.
Octets 3 to 4	Vendor-defined codec ID. Shall be ignored if octet 0 is not 0xFF.

Controller_Delay:

Size: 3 octets

Value	Parameter Description
0xXXXXXX	Controller delay in microseconds Range: 0x000000 to 0x3D0900 Time range: 0 s to 4 s

Codec_Configuration_Length:

Size: 1 octet

Value	Parameter Description
0xFF	Length of codec configuration

Codec_Configuration:

Size: Codec_Configuration_Length octets

Value	Parameter Description
Variable	Codec-specific configuration data

**Return parameters:***Status:**Size: 1 octet*

Value	Parameter Description
0x00	HCI_LE_Setup_ISO_Data_Path command succeeded
0x01 to 0xFF	HCI_LE_Setup_ISO_Data_Path command failed. See [Vol 1] Part F, Controller Error Codes for a list of error codes and descriptions.

*Connection_Handle:**Size: 2 octets (12 bits meaningful)*

Value	Parameter Description
0xXXXX	Connection handle of the CIS or BIS Range: 0x0000 to 0x0EFF

Event(s) generated (unless masked away):

When the HCI_LE_Setup_ISO_Data_Path command has completed, an HCI_Command_Complete event shall be generated.



7.8.110 LE Remove ISO Data Path command

Command	OCF	Command Parameters	Return Parameters
HCI_LE_Remove_ISO_Data_Path	0x006F	Connection_Handle, Data_Path_Direction	Status, Connection_Handle

Description:

The HCI_LE_Remove_ISO_Data_Path command is used to remove the input and/or output data path(s) associated with a CIS, CIS configuration, or BIS identified by the Connection_Handle parameter.

The Data_Path_Direction parameter specifies which directions are to have the data path removed.

If the Host issues this command with a Connection_Handle that does not exist or is not for a CIS, CIS configuration, or BIS, the Controller shall return the error code *Unknown Connection Identifier* (0x02).

If the Host issues this command for a data path that has not been set up (using the HCI_LE_Setup_ISO_Data_Path command), the Controller shall return the error code *Command Disallowed* (0x0C).

Command parameters:

Connection_Handle: Size: 2 octets (12 bits meaningful)

Value	Parameter Description
0xXXXX	Connection handle of the CIS or BIS. Range: 0x0000 to 0x0EFF

Data_Path_Direction: Size: 1 octet

Bit number	Parameter Description
0	Remove input data path
1	Remove output data path
All other bits	Reserved for future use

Return parameters:

Status: Size: 1 octet

Value	Parameter Description
0x00	The HCI_LE_Remove_ISO_Data_Path command succeeded
0x01 to 0xFF	The HCI_LE_Remove_ISO_Data_Path command failed. See [Vol 1] Part F, Controller Error Codes for a list of error codes and descriptions.

**Connection_Handle:****Size: 2 octets (12 bits meaningful)**

Value	Parameter Description
0xXXXX	Connection handle of the CIS or BIS Range: 0x0000 to 0x0EFF

Event(s) generated (unless masked away):

When the HCI_LE_Remove_ISO_Data_Path command has completed, an HCI_Command_Complete event shall be generated.



7.8.111 LE ISO Transmit Test command

Command	OCF	Command Parameters	Return Parameters
HCI_LE_ISO_Transmit_Test	0x0070	Connection_Handle, Payload_Type	Status, Connection_Handle

Description:

The HCI_LE_ISO_Transmit_Test command should only be used in the ISO Test mode and only for testing purposes.

The command is used to configure an established CIS or BIS specified by the Connection_Handle parameter, and transmit test payloads which are generated by the Controller.

The Payload_Type parameter defines the configuration of SDUs in the payload.

If the Host issues this command with a connection handle that does not exist, or the Connection_Handle command parameter is not associated with a CIS or a BIS, the Controller shall return the error code *Unknown Connection Identifier* (0x02).

If the Host issues this command when the value of the transmit BN parameter of the CIS is set to zero, the Controller shall return the error code *Unsupported Feature or Parameter Value* (0x11).

If the Host has set the input data path for the CIS or BIS identified by the connection handle, the Controller shall return the error code *Command Disallowed* (0x0C).

Command parameters:

Connection_Handle: *Size: 2 octets (12 bits meaningful)*

Value	Parameter Description
0xXXXX	Connection handle of the CIS or BIS Range 0x0000 to 0x0EFF

Payload_Type: *Size: 1 octet*

Value	Parameter Description
0x00	Zero length payload
0x01	Variable length payload
0x02	Maximum length payload
All other values	Reserved for future use

**Return parameters:***Status:**Size: 1 octet*

Value	Parameter Description
0x00	HCI_LE_ISO_Transmit_Test command succeeded
0x01 to 0xFF	HCI_LE_ISO_Transmit_Test command failed. See [Vol 1] Part F, Controller Error Codes for a list of error codes and descriptions.

*Connection_Handle:**Size: 2 octets (12 bits meaningful)*

Value	Parameter Description
0xXXXX	Connection handle of a CIS or BIS Range: 0x0000 to 0x0EFF

Event(s) generated (unless masked away):

When the HCI_LE_ISO_Transmit_Test command has completed, an HCI_Command_Complete event shall be generated.



7.8.112 LE ISO Receive Test command

Command	OCF	Command Parameters	Return Parameters
HCI_LE_ISO_Receive_Test	0x0071	Connection_Handle, Payload_Type	Status, Connection_Handle

Description:

The HCI_LE_ISO_Receive_Test command should only be used in the ISO Test mode and only for testing purposes.

The command is used to configure an established CIS or a synchronized BIG specified by the Connection_Handle parameter to receive payloads.

When using this command for a BIS, the Host shall synchronize with a BIG using the HCI_LE_BIG_Create_Sync command before invoking this command.

The Payload_Type parameter defines the configuration of SDUs in the payload.

If the Host issues this command with a connection handle that is not for an established CIS or a BIS, the Controller shall return the error code *Unknown Connection Identifier* (0x02).

If the Host issues this command when the value of the receive BN parameter of the CIS or BIS is set to zero, the Controller shall return the error code *Unsupported Feature or Parameter Value* (0x11).

If the Host has set the output data path for the CIS or BIS identified by the Connection_Handle parameter, the Controller shall return the error code *Command Disallowed* (0x0C).

Command parameters:

Connection_Handle: *Size: 2 octets (12 bits meaningful)*

Value	Parameter Description
0xXXXX	Connection handle of a CIS or BIS Range 0x0000 to 0x0EFF

Payload_Type: *Size: 1 octet*

Value	Parameter Description
0x00	Zero length payload
0x01	Variable length payload



Value	Parameter Description
0x02	Maximum length payload
All other values	Reserved for future use

Return parameters:*Status:**Size: 1 octet*

Value	Parameter Description
0x00	HCI_LE_ISO_Receive_Test command succeeded
0x01 to 0xFF	HCI_LE_ISO_Receive_Test command failed. See [Vol 1] Part F, Controller Error Codes for a list of error codes and descriptions.

*Connection_Handle:**Size: 2 octets (12 bits meaningful)*

Value	Parameter Description
0xXXXX	Connection handle of a CIS or BIS Range: 0x0000 to 0x0EFF

Event(s) generated (unless masked away):

When the HCI_LE_ISO_Receive_Test command has completed, an HCI_Command_Complete event shall be generated.



7.8.113 LE ISO Read Test Counters command

Command	OCF	Command Parameters	Return Parameters
HCI_LE_ISO_Read_Test_Counters	0x0072	Connection_Handle	Status, Connection_Handle, Received_SDU_Count, Missed_SDU_Count, Failed_SDU_Count

Description:

The HCI_LE_ISO_Read_Test_Counters command should only be used in the ISO Test mode and only for testing purposes.

The command is used to read the test counters (see [Vol 6] Part B, Section 7) in the Controller which is configured in ISO Receive Test mode for a CIS or BIS specified by the Connection_Handle. Reading the test counters does not reset the test counters.

The Received_SDU_Count, Missed_SDU_Count and Failed_SDU_Count parameters are set in the ISO Receive Test mode (see [Vol 6] Part B, Section 7.2).

If the Host issues this command with a Connection_Handle parameter that is not for an established CIS or a BIS, the Controller shall return the error code *Unknown Connection Identifier* (0x02).

If the Host issues this command for a CIS or BIS that is not configured in the ISO Receive Test mode, the Controller shall return the error code *Unsupported Feature or Parameter Value* (0x11).

Command parameters:

Connection_Handle: Size: 2 octets (12 bits meaningful)

Value	Parameter Description
0xXXXX	Connection handle of a CIS or BIS Range 0x0000 to 0x0EFF

**Return parameters:***Status:**Size: 1 octet*

Value	Parameter Description
0x00	HCI_LE_ISO_Read_Test_Counters command succeeded
0x01 to 0xFF	HCI_LE_ISO_Read_Test_Counters command failed. See [Vol 1] Part F, Controller Error Codes for a list of error codes and descriptions.

*Connection_Handle:**Size: 2 octets (12 bits meaningful)*

Value	Parameter Description
0xFFFF	The connection handle of a CIS or BIS Range: 0x0000 to 0x0EFF

*Received_SDU_Count:**Size: 4 octets*

Value	Parameter Description
0xFFFFFFFF	Number in the Received_SDU_Count

*Missed_SDU_Count:**Size: 4 octets*

Value	Parameter Description
0xFFFFFFFF	Number in the Missed_SDU_Count

*Failed_SDU_Count:**Size: 4 octets*

Value	Parameter Description
0xFFFFFFFF	Number in the Failed_SDU_Count

Event(s) generated (unless masked away):

When the HCI_LE_ISO_Read_Test_Counters command has completed, an HCI_Command_Complete event shall be generated.



7.8.114 LE ISO Test End command

Command	OCF	Command Parameters	Return Parameters
HCI_LE_ISO_Test_End	0x0073	Connection_Handle	Status, Connection_Handle, Received_SDU_Count, Missed_SDU_Count, Failed_SDU_Count

Description:

The HCI_LE_ISO_Test_End command should only be used in the ISO Test mode and only for testing purposes.

The command is used to terminate the ISO Transmit and/or Receive Test mode for a CIS or BIS specified by the Connection_Handle parameter but does not terminate the CIS or BIS.

When the Host terminates the ISO Test mode for a CIS or BIS that is set to ISO Transmit Test mode only, the test counters in the return parameters shall be set to zero.

When the Host terminates the ISO Test mode for a CIS or BIS that is set to the ISO Receive Test mode, the return parameters contain the values of the test counters as defined in [Vol 6] Part B, Section 7.

If the Host issues this command with a Connection_Handle that is not for an established CIS or a BIS, the Controller shall return the error code *Unknown Connection Identifier* (0x02).

If the Host issues this command for a CIS or BIS that is not configured in the ISO Transmit or Receive Test mode, the Controller shall return the error code *Unsupported Feature or Parameter Value* (0x11).

Command parameters:

Connection_Handle: Size: 2 octets (12 bits meaningful)

Value	Parameter Description
0xXXXX	Connection handle of a CIS or BIS Range 0x0000 to 0x0EFF

**Return parameters:***Status:**Size: 1 octet*

Value	Parameter Description
0x00	HCI_LE_ISO_Test_End command succeeded
0x01 to 0xFF	HCI_LE_ISO_Test_End command failed. See [Vol 1] Part F, Controller Error Codes for a list of error codes and descriptions.

*Connection_Handle:**Size: 2 octets (12 bits meaningful)*

Value	Parameter Description
0xFFFF	Connection handle of a CIS or BIS Range: 0x0000 to 0x0EFF

*Received_SDU_Count:**Size: 4 octets*

Value	Parameter Description
0xFFFFFFFF	Number in the Received_SDU_Count

*Missed_SDU_Count:**Size: 4 octets*

Value	Parameter Description
0xFFFFFFFF	Number in the Missed_SDU_Count

*Failed_SDU_Count:**Size: 4 octets*

Value	Parameter Description
0xFFFFFFFF	Number in the Failed_SDU_Count

Event(s) generated (unless masked away):

When the HCI_LE_ISO_Test_End command has completed, an HCI_Command_Complete event shall be generated.



7.8.115 LE Set Host Feature command

Command	OCF	Command Parameters	Return Parameters
HCI_LE_Set_Host_Feature	0x0074	Bit_Number, Bit_Value	Status

Description:

The HCI_LE_Set_Host_Feature command is used by the Host to set or clear a bit controlled by the Host in the Link Layer FeatureSet stored in the Controller (see [Vol 6] Part B, Section 4.6).

The Bit_Number parameter specifies the bit position in the FeatureSet.

The Bit_Value parameter specifies whether the feature is enabled or disabled.

If Bit_Number specifies a feature bit that is not controlled by the Host, the Controller shall return the error code *Unsupported Feature or Parameter Value* (0x11).

If Bit_Value is set to 0x01 and Bit_Number specifies a feature bit that requires support of a feature that the Controller does not support, the Controller shall return the error code *Unsupported Feature or Parameter Value* (0x11).

If the Host issues this command while the Controller has a connection to another device, the Controller shall return the error code *Command Disallowed* (0x0C).

Command parameters:

Bit_Number: *Size: 1 octet*

Value	Parameter Description
0x00 to 0x3F	Bit position in the FeatureSet
All other values	Reserved for future use

Bit_Value: *Size: 1 octet*

Value	Parameter Description
0x00	The Host feature is disabled and so the bit in the FeatureSet shall be set to 0
0x01	The Host feature is enabled and so the bit in the FeatureSet shall be set to 1
All other values	Reserved for future use

**Return parameters:***Status:**Size: 1 octet*

Value	Parameter Description
0x00	HCI_LE_Set_Host_Feature command succeeded
0x01 to 0xFF	HCI_LE_Set_Host_Feature command failed. See [Vol 1] Part F, Controller Error Codes for a list of error codes and descriptions.

Event(s) generated (unless masked away):

When the HCI_LE_Set_Host_Feature command has completed, an HCI_Command_Complete event shall be generated.



7.8.116 LE Read ISO Link Quality command

Command	OCF	Command Parameters	Return Parameters
HCI_LE_Read_ISO_Link_Quality	0x0075	Connection_Handle	Status, Connection_Handle, TX_UnACKed_Packets, TX_Flushed_Packets, TX_Last_Subevent_Packets, Retransmitted_Packets, CRC_Error_Packets, RX_Unreceived_Packets, Duplicate_Packets

Description:

This command returns the values of various counters related to link quality that are associated with the isochronous stream specified by the Connection_Handle parameter.

This command may be issued on both the Central and Peripheral if the connection handle identifies a CIS and on the Synchronized Receiver if the connection handle identifies a BIS.

Each of the remaining return parameters shall contain the current value of the corresponding counter; all the values shall be recorded at the same moment. Each counter shall be a 32-bit unsigned value, shall be initialized to zero when the isochronous stream is created, and shall be incremented as described below. If a counter is not associated with the type of isochronous stream specified, the value of the parameter shall be ignored.

Counter	Associated Streams	When Incremented
TX_UnACKed_Packets	CIS	The Link Layer does not receive an acknowledgment for a CIS Data PDU that it transmitted at least once by its flush point (see [Vol 6] Part B, Section 4.5.13.5).
TX_Flushed_Packets	CIS	The Link Layer does not transmit a specific payload by its flush point.
TX_Last_Subevent_Packets	CIS in Peripheral role	The Link Layer transmits a CIS Data PDU in the last subevent of a CIS event.
Retransmitted_Packets	CIS	The Link Layer retransmits a CIS Data PDU.

Table 7.3: Isochronous streams link quality counters



Counter	Associated Streams	When Incremented
CRC_Error_Packets	CIS and BIS	The Link Layer receives a packet with a CRC error.
RX_Unreceived_Packets	CIS and BIS	The Link Layer does not receive a specific payload by its flush point (on a CIS) or the end of the event it is associated with (on a BIS; see [Vol 6] Part B, Section 4.4.6.6).
Duplicate_Packets	CIS	The Link Layer receives a retransmission of a CIS Data PDU.

Table 7.3: Isochronous streams link quality counters

If the Connection_Handle parameter does not identify a current CIS connection or a BIS that the Controller is synchronized to, the Controller shall return the error code *Unknown Connection Identifier* (0x02).

Command parameters:

Connection_Handle: *Size: 2 octets (12 bits meaningful)*

Value	Parameter Description
0xXXXX	Connection handle of a CIS or BIS Range 0x0000 to 0x0EFF

Return parameters:

Status: *Size: 1 octet*

Value	Parameter Description
0x00	HCI_LE_Read_ISO_Link_Quality command succeeded
0x01 to 0xFF	HCI_LE_Read_ISO_Link_Quality command failed. See [Vol 1] Part F, Controller Error Codes for a list of error codes and descriptions.

Connection_Handle: *Size: 2 octets (12 bits meaningful)*

Value	Parameter Description
0xXXXX	Connection handle of a CIS or BIS Range: 0x0000 to 0x0EFF

TX_UnACKed_Packets: *Size: 4 octets*

Value	Parameter Description
0XXXXXXXX	Value of the Tx_UnACKed_Packets counter

***Tx_Flushed_Packets:****Size: 4 octets*

Value	Parameter Description
0XXXXXXXXX	Value of the Tx_Flushed_Packets counter

Tx_Last_Subevent_Packets:*Size: 4 octets*

Value	Parameter Description
0XXXXXXXXX	Value of the Tx_Last_Subevent_Packets counter

Retransmitted_Packets:*Size: 4 octets*

Value	Parameter Description
0XXXXXXXXX	Value of the Retransmitted_Packets counter

CRC_Error_Packets:*Size: 4 octets*

Value	Parameter Description
0XXXXXXXXX	Value of the CRC_Error_Packets counter

Rx_Unreceived_Packets:*Size: 4 octets*

Value	Parameter Description
0XXXXXXXXX	Value of the Rx_Unreceived_Packets counter

Duplicate_Packets:*Size: 4 octets*

Value	Parameter Description
0XXXXXXXXX	Value of the Duplicate_Packets counter

Event(s) generated (unless masked away):

When the HCI_LE_Read_ISO_Link_Quality command has completed, an HCI_Command_Complete event shall be generated.



7.8.117 LE Enhanced Read Transmit Power Level command

Command	OCF	Command Parameters	Return Parameters
HCI_LE_Enhanced_Read_Transmit_Power_Level	0x0076	Connection_Handle, PHY	Status, Connection_Handle, PHY, Current_TX_Power_Level, Max_TX_Power_Level

Description:

The HCI_LE_Enhanced_Read_Transmit_Power_Level command is used to read the current and maximum transmit power levels of the local Controller on the ACL connection identified by the Connection_Handle parameter and the PHY indicated by the PHY parameter.

If the Host sets PHY to a value that the Controller does not support, including a value that is reserved for future use, the Controller shall return the error code *Unsupported Feature or Parameter Value* (0x11).

If the Connection_Handle parameter does not identify a current ACL connection, the Controller shall return the error code *Unknown Connection Identifier* (0x02).

Command parameters:

Connection_Handle: *Size: 2 octets (12 bits meaningful)*

Value	Parameter Description
0xXXXX	Connection_Handle Range: 0x0000 to 0x0EFF

PHY: *Size: 1 octet*

Value	Parameter Description
0x01	LE 1M PHY
0x02	LE 2M PHY
0x03	LE Coded PHY with S=8 data coding
0x04	LE Coded PHY with S=2 data coding
All other values	Reserved for future use



Return parameters:

Status:

Size: 1 octet

Value	Parameter Description
0x00	HCI_LE_Enhanced_Read_Transmit_Power_Level command succeeded.
0x01 to 0xFF	HCI_LE_Enhanced_Read_Transmit_Power_Level command failed. See [Vol 1] Part F, Controller Error Codes for a list of error codes and descriptions.

Connection_Handle:

Size: 2 octets (12 bits meaningful)

Value	Parameter Description
0xXXXX	Connection_Handle Range: 0x0000 to 0x0EFF

PHY:

Size: 1 octet

Value	Parameter Description
0x01	LE 1M PHY
0x02	LE 2M PHY
0x03	LE Coded PHY with S=8 data coding
0x04	LE Coded PHY with S=2 data coding
All other values	Reserved for future use

Current_TX_Power_Level:

Size: 1 octet

Value	Parameter Description
0xXX	Current transmit power level Range: -127 to 20 Units: dBm
0x7F	Current transmit power level is unavailable

Max_TX_Power_Level:

Size: 1 octet

Value	Parameter Description
0xXX	Maximum transmit power level Range: -127 to 20 Units: dBm

Event(s) generated (unless masked away):

When the HCI_LE_Enhanced_Read_Transmit_Power_Level command has completed, an HCI_Command_Complete event shall be generated.



7.8.118 LE Read Remote Transmit Power Level command

Command	OCF	Command Parameters	Return Parameters
HCI_LE_Read_Remote_Transmit_Power_Level	0x0077	Connection_Handle, PHY	none

Description:

The HCI_LE_Read_Remote_Transmit_Power_Level command is used to read the transmit power level used by the remote Controller on the ACL connection that is identified by the Connection_Handle parameter and the PHY indicated by the PHY parameter.

The local Controller may use the remote transmit power level value obtained from a prior Power Change Indication or Power Control Request procedure (see [Vol 6] Part B, Section 5.1.17 and [Vol 6] Part B, Section 5.1.18). If the Controller chooses not to use these prior values, or if no prior value is available for one or more of the remote transmit power level, maximum transmit power level, or minimum transmit power level, the local Controller shall initiate a new Power Control Request procedure to obtain the remote transmit power level.

If the Host sets PHY to a value that the Controller does not support, including a value that is reserved for future use, the Controller shall return the error code *Unsupported Feature or Parameter Value* (0x11).

If the Connection_Handle parameter does not identify a current ACL connection, the Controller shall return the error code *Unknown Connection Identifier* (0x02).

Command parameters:

Connection_Handle: *Size: 2 octets (12 bits meaningful)*

Value	Parameter Description
0xXXXX	Connection_Handle Range: 0x0000 to 0x0EFF

PHY: *Size: 1 octet*

Value	Parameter Description
0x01	LE 1M PHY
0x02	LE 2M PHY
0x03	LE Coded PHY with S=8 data coding
0x04	LE Coded PHY with S=2 data coding
All other values	Reserved for future use

**Return parameters:**

None.

Event(s) generated (unless masked away):

When the Controller receives the HCI_LE_Read_Remote_Transmit_Power_Level command, the Controller shall send the HCI_Command_Status event to the Host. When the Controller has determined the remote transmit power, it shall generate an HCI_LE_Transmit_Power_Reporting event with Reason 0x02.



7.8.119 LE Set Path Loss Reporting Parameters command

Command	OCF	Command Parameters	Return Parameters
HCI_LE_Set_Path_Loss_Reporting_Parameters	0x0078	Connection_Handle, High_Threshold, High_Hysteresis, Low_Threshold, Low_Hysteresis, Min_Time_Spent	Status, Connection_Handle

Description:

The HCI_LE_Set_Path_Loss_Reporting_Parameters command is used to set the path loss threshold reporting parameters for the ACL connection identified by the Connection_Handle parameter.

The path loss threshold-based mechanism is described in [\[Vol 6\] Part B, Section 4.5.16](#). For each zone boundary, the upwards boundary shall equal the threshold plus the hysteresis and the downwards boundary shall equal the threshold minus the hysteresis.

If the Host issues this command with High_Threshold+High_Hysteresis greater than 0xFF or with Low_Threshold less than Low_Hysteresis, the Controller shall return the error code *Invalid HCI Command Parameters (0x12)*.

If the Host issues this command with Low_Threshold greater than High_Threshold or with Low_Threshold+Low_Hysteresis greater than High_Threshold–High_Hysteresis, the Controller shall return the error code *Invalid HCI Command Parameters (0x12)*.

The Min_Time_Spent parameter indicates the minimum time that the Controller shall observe the path loss has crossed the threshold before the Controller generates an event for the threshold crossing. The Host should specify a suitable value based on the connection interval, subrate factor, and Peripheral latency.

If the Host issues this command when path loss monitoring is enabled, the Controller shall override the existing path loss threshold reporting parameters with the parameters provided in this command.

The High_Threshold and the Low_Threshold parameters are common to all PHYs supported by the Controller. However, the Host can reissue this command with suitable parameters whenever a PHY switch is detected.

If the Connection_Handle parameter does not identify a current ACL connection, the Controller shall return the error code *Unknown Connection Identifier (0x02)*.

**Command parameters:**

Connection_Handle: *Size: 2 octets (12 bits meaningful)*

Value	Parameter Description
0xXXXX	Connection_Handle Range: 0x0000 to 0x0EFF

High_Threshold: *Size: 1 octet*

Value	Parameter Description
0xXX	High threshold for the path loss Units: dB
0xFF	High Threshold unused

High_Hysteresis: *Size: 1 octet*

Value	Parameter Description
0xXX	Hysteresis value for the high threshold Units: dB

Low_Threshold: *Size: 1 octet*

Value	Parameter Description
0xXX	Low threshold for the path loss Units: dB

Low_Hysteresis: *Size: 1 octet*

Value	Parameter Description
0xXX	Hysteresis value for the low threshold Units: dB

Min_Time_Spent: *Size: 2 octets*

Value	Parameter Description
0xXXXX	Minimum time in number of connection events to be observed once the path loss crosses the threshold before an event is generated.



Return parameters:

Status:

Size: 1 octet

Value	Parameter Description
0x00	HCI_LE_Set_Path_Loss_Reporting_Parameters command succeeded.
0x01 to 0xFF	HCI_LE_Set_Path_Loss_Reporting_Parameters command failed. See [Vol 1] Part F, Controller Error Codes for a list of error codes and descriptions.

Connection_Handle:

Size: 2 octets (12 bits meaningful)

Value	Parameter Description
0xXXXX	Connection_Handle Range: 0x0000 to 0x0EFF

Event(s) generated (unless masked away):

When the HCI_LE_Set_Path_Loss_Reporting_Parameters command has completed, an HCI_Command_Complete event shall be generated.

If the Host issues this command when path loss monitoring is enabled, and if the new parameters mean that the path loss is now in a different zone, an HCI_LE_Path_Loss_Threshold event shall be generated as soon as possible irrespective of the Min_Time_Spent parameter and the timer shall be reset.

If the Host issues this command with High_Threshold parameter set to 0xFF, then the Controller shall not generate an HCI_LE_Path_Loss_Threshold event with Zone_Entered set to 0x02.



7.8.120 LE Set Path Loss Reporting Enable command

Command	OCF	Command Parameters	Return Parameters
HCI_LE_Set_Path_Loss_Reporting_Enable	0x0079	Connection_Handle, Enable	Status, Connection_Handle

Description:

The HCI_LE_Set_Path_Loss_Reporting_Enable command is used to enable or disable path loss reporting for the ACL connection identified by the Connection_Handle parameter.

If the Enable parameter is set to 0x01 and no prior LE Power Control Request procedure has been initiated on the ACL connection, then the Controller may need to initiate a new LE Power Control Request procedure on that ACL.

Path loss reporting is disabled when the connection is first created.

If the Host issues this command before it has issued the HCI_LE_Set_Path_Loss_Reporting_Parameters command on this connection, the Controller shall return the error code *Command Disallowed* (0x0C).

If the Connection_Handle parameter does not identify a current ACL connection, the Controller shall return the error code *Unknown Connection Identifier* (0x02).

Enabling path loss monitoring when it is already enabled or disabling path loss monitoring when it is already disabled has no effect.

Command parameters:

Connection_Handle: *Size: 2 octets (12 bits meaningful)*

Value	Parameter Description
0xXXXX	Connection_Handle Range: 0x0000 to 0x0EFF

Enable: *Size: 1 octet*

Value	Parameter Description
0x00	Reporting disabled
0x01	Reporting enabled
All other values	Reserved for future use



Return parameters:

Status:

Size: 1 octet

Value	Parameter Description
0x00	HCI_LE_Set_Path_Loss_Reporting_Enable command succeeded.
0x01 to 0xFF	HCI_LE_Set_Path_Loss_Reporting_Enable command failed. See [Vol 1] Part F, Controller Error Codes for a list of error codes and descriptions.

Connection_Handle:

Size: 2 octets (12 bits meaningful)

Value	Parameter Description
0xXXXX	Connection_Handle Range: 0x0000 to 0x0EFF

Event(s) generated (unless masked away):

When the HCI_LE_Set_Path_Loss_Reporting_Enable command has completed, an HCI_Command_Complete event shall be generated.

When reporting is enabled and was previously disabled, the Controller shall generate an HCI_LE_Path_Loss_Threshold event as soon as it has a reliable measurement of the path loss. If the Controller has to query the remote Controller for its transmit power level, then it shall generate this event within $T_{\text{path_loss_enable}}$ from the time it receives a response to its query. Otherwise, the Controller shall generate this event within $T_{\text{path_loss_enable}}$ from the time the command is issued. $T_{\text{path_loss_enable}}$ shall be $\text{Min_Time_Spent} + 6$ connection events or, if longer, 2 connection events where the Controller actually receives a packet from the peer, where Min_Time_Spent is specified by the HCI_LE_Set_Path_Loss_Reporting_Parameters command.

After the initial event on reporting being enabled, the Controller shall generate this event each time it determines that the path loss has moved to a different zone and stayed in that zone for Min_Time_Spent . As stated in [\[Vol 6\] Part B, Section 4.5.16](#), two consecutive events must not indicate the same zone.



7.8.121 LE Set Transmit Power Reporting Enable command

Command	OCF	Command Parameters	Return Parameters
HCI_LE_Set_Transmit_Power_Reporting_Enable	0x007A	Connection_Handle, Local_Enable, Remote_Enable	Status, Connection_Handle

Description:

The HCI_LE_Set_Transmit_Power_Reporting_Enable command is used to enable or disable the reporting to the local Host of transmit power level changes in the local and remote Controllers for the ACL connection identified by the Connection_Handle parameter.

If the Remote_Enable parameter is set to 0x01 and no prior LE Power Control Request procedure has been initiated on the ACL connection, then the Controller shall initiate a new LE Power Control Request procedure on that ACL.

Reporting is disabled when the connection is first created.

If the Connection_Handle parameter does not identify a current ACL connection, the Controller shall return the error code *Unknown Connection Identifier* (0x02).

Command parameters:

Connection_Handle: *Size: 2 octets (12 bits meaningful)*

Value	Parameter Description
0xXXXX	Connection_Handle Range: 0x0000 to 0x0EFF

Local_Enable: *Size: 1 octet*

Value	Parameter Description
0x00	Disable local transmit power reports
0x01	Enable local transmit power reports
All other values	Reserved for future use

Remote_Enable: *Size: 1 octet*

Value	Parameter Description
0x00	Disable remote transmit power reports
0x01	Enable remote transmit power reports
All other values	Reserved for future use



Return parameters:

Status:

Size: 1 octet

Value	Parameter Description
0x00	HCI_LE_Set_Transmit_Power_Reporting_Enable command succeeded.
0x01 to 0xFF	HCI_LE_Set_Transmit_Power_Reporting_Enable command failed. See [Vol 1] Part F, Controller Error Codes for a list of error codes and descriptions.

Connection_Handle:

Size: 2 octets (12 bits meaningful)

Value	Parameter Description
0xXXXX	Connection_Handle Range: 0x0000 to 0x0EFF

Event(s) generated (unless masked away):

When the HCI_LE_Set_Transmit_Power_Reporting_Enable command has completed, an HCI_Command_Complete event shall be generated.

When local reporting is enabled, the Controller shall generate an HCI_LE_Transmit_Power_Reporting event with Reason 0x00 each time the local transmit power level is changed.

When remote reporting is enabled, the Controller shall generate an HCI_LE_Transmit_Power_Reporting event with Reason 0x01 each time it becomes aware that the remote transmit power level has changed.



7.8.122 LE Set Data Related Address Changes command

Command	OCF	Command Parameters	Return Parameters
HCI_LE_Set_Data_Related_Address_Changes	0x007C	Advertising_Handle, Change_Reasons	Status

Description:

The HCI_LE_Set_Data_Related_Address_Changes command specifies circumstances when the Controller shall refresh any Resolvable Private Address used by the advertising set identified by the Advertising_Handle parameter, whether or not the address timeout period has been reached. This command may be used while advertising is enabled.

The Change_Reasons parameter specifies the reason(s) for refreshing addresses. The default when an advertising set is created, or if legacy advertising commands (see Section 3.1.1) are used, is for all bits to be clear.

If extended advertising commands (see Section 3.1.1) are being used and the advertising set corresponding to the Advertising_Handle parameter does not exist, or if no command specified in Table 3.2 has been used, then the Controller shall return the error code *Unknown Advertising Identifier* (0x42).

If legacy advertising commands are being used, the Controller shall ignore the Advertising_Handle parameter.

Command parameters:

Advertising_Handle: *Size: 1 octet*

Value	Parameter Description
0xXX	Used to identify an advertising set Range: 0x00 to 0xEF

Change_Reasons: *Size: 1 octet*

Bit number	Parameter Description
0	Change the address whenever the advertising data changes.
1	Change the address whenever the scan response data changes.
All other bits	Reserved for future use

**Return parameters:***Status:**Size: 1 octet*

Value	Parameter Description
0x00	HCI_LE_Set_Data_Related_Address_Changes command succeeded
0x01 to 0xFF	HCI_LE_Set_Data_Related_Address_Changes command failed. See [Vol 1] Part F, Controller Error Codes for a list of error codes and descriptions.

Event(s) generated (unless masked away):

When the HCI_LE_Set_Data_Related_Address_Changes command has completed, an HCI_Command_Complete event shall be generated.



7.8.123 LE Set Default Subrate command

Command	OCF	Command Parameters	Return Parameters
HCI_LE_Set_Default_Subrate	0x007D	Subrate_Min, Subrate_Max, Max_Latency, Continuation_Number, Supervision_Timeout	Status

Description:

The HCI_LE_Set_Default_Subrate command is used by the Host to set the initial values for the acceptable parameters for subrating requests, as defined by the HCI_LE_Subrate_Request command (see [Section 7.8.124](#)), for all future ACL connections where the Controller is the Central. This command does not affect any existing connection.

The parameters have the same meanings and restrictions as those in the HCI_LE_Subrate_Request command.

Command parameters:

Subrate_Min: *Size: 2 octets*

Value	Parameter Description
0xXXXX	Minimum subrate factor allowed in requests by a Peripheral Range: 0x0001 to 0x01F4 Default: 0x0001

Subrate_Max: *Size: 2 octets*

Value	Parameter Description
0xXXXX	Maximum subrate factor allowed in requests by a Peripheral Range: 0x0001 to 0x01F4 Default: 0x0001

Max_Latency: *Size: 2 octets*

Value	Parameter Description
0xXXXX	Maximum Peripheral latency allowed in requests by a Peripheral, in units of subrated connection intervals Range: 0x0000 to 0x01F3 Default: 0x0000



Continuation_Number:

Size: 2 octets

Value	Parameter Description
0xXXXX	Minimum number of underlying connection events to remain active after a packet containing a Link Layer PDU with a non-zero Length field is sent or received in requests by a Peripheral Range: 0x0000 to 0x01F3 Default: 0x0000

Supervision_Timeout:

Size: 2 octets

Value	Parameter Description
N = 0xXXXX	Maximum supervision timeout allowed in requests by a Peripheral Range: 0x000A to 0x0C80 Time = N × 10 ms Time Range: 100 ms to 32 s Default: 0x0C80

Return parameters:

Status:

Size: 1 octet

Value	Parameter Description
0x00	HCI_LE_Set_Default_Subrate command succeeded.
0x01 to 0xFF	HCI_LE_Set_Default_Subrate command failed. See [Vol 1] Part F, Controller Error Codes for a list of error codes and descriptions.

Event(s) Generated (unless masked away):

When the Controller receives the HCI_LE_Set_Default_Subrate command, the Controller sends the HCI_Command_Complete event to the Host.



7.8.124 LE Subrate Request command

Command	OCF	Command Parameters	Return Parameters
HCI_LE_Subrate_Request	0x007E	Connection_Handle, Subrate_Min, Subrate_Max, Max_Latency, Continuation_Number, Supervision_Timeout	<i>none</i>

Description:

The HCI_LE_Subrate_Request command is used by a Central or a Peripheral to request a change to the subrating factor and/or other parameters (see [\[Vol 6 Part B, Section 4.5.1\]](#)) applied to an existing connection using the Connection Subrate Update procedure.

The Subrate_Min and Subrate_Max parameters specify the range of acceptable subrating factors being requested.

The Max_Latency parameter specifies the maximum Peripheral latency in units of subrated connection events. The same maximum shall apply irrespective of the subrating factor actually chosen.

The Continuation_Number parameter specifies the number of underlying connection intervals to remain active after a packet (other than an empty packet) is transmitted or received.

The Supervision_Timeout parameter specifies the link supervision timeout for the connection. The Supervision_Timeout, in milliseconds, shall be greater than $2 \times \text{current connection interval} \times \text{Subrate_Max} \times (\text{Max_Latency} + 1)$.

If this command is issued on the Central, the following rules shall apply when the Controller initiates the Connection Subrate Update procedure (see [\[Vol 6 Part B, Section 5.1.19\]](#)):

- The Peripheral latency shall be less than or equal to Max_Latency.
- The subrate factor shall be between Subrate_Min and Subrate_Max.
- The continuation number shall be equal to the lesser of Continuation_Number and (subrate factor - 1).
- The connection supervision timeout shall be equal to Supervision_Timeout.

If this command is issued on the Central, it also sets the acceptable parameters for requests from the Peripheral (see [\[Vol 6 Part B, Section 5.1.20\]](#)). The acceptable parameters set by this command override those provided via the HCI_LE_Set_Default_Subrate command or any values set by previous uses of this command on the same connection.



If this command is issued on the Central before the devices have performed the Feature Exchange procedure, then the Controller shall complete that procedure before initiating the Connection Subrate Update procedure.

If this command is issued on the Peripheral, the following rules shall apply when the Controller initiates the Connection Subrate Request procedure:

- The Peripheral latency shall be less than or equal to Max_Latency.
- The minimum and maximum subrate factors shall be between Subrate_Min and Subrate_Max.
- The continuation number shall be equal to the lesser of Continuation_Number and (maximum subrate factor - 1).
- The connection supervision timeout shall be equal to Supervision_Timeout.

If the Connection_Handle parameter does not identify a current ACL connection, the Controller shall return the error code *Unknown Connection Identifier* (0x02).

If the Host issues this command with parameters such that $\text{Subrate_Max} \times (\text{Max_Latency} + 1)$ is greater than 500 or the current connection interval $\times \text{Subrate_Max} \times (\text{Max_Latency} + 1)$ is greater than or equal to half the Supervision_Timeout parameter, the Controller shall return the error code *Invalid HCI Command Parameters* (0x12).

If the Host issues this command with Subrate_Max less than Subrate_Min, the Controller shall return the error code *Invalid HCI Command Parameters* (0x12).

If the Host issues this command with Continuation_Number greater than or equal to Subrate_Max, then the Controller shall return the error code *Invalid HCI Command Parameters* (0x12).

If the Central's Host issues this command when the Connection Subrating (Host Support) bit is not set in the Peripheral's FeatureSet, the Controller shall return the error code *Unsupported Remote Feature* (0x1A).

Command parameters:

Connection_Handle: *Size: 2 octets (12 bits meaningful)*

Value	Parameter Description
0xXXXX	Connection handle of the ACL Range: 0x0000 to 0x0EFF



Subrate_Min:

Size: 2 octets

Value	Parameter Description
0xXXXX	Minimum subrate factor to be applied to the underlying connection interval Range: 0x0001 to 0x01F4

Subrate_Max:

Size: 2 octets

Value	Parameter Description
0xXXXX	Maximum subrate factor to be applied to the underlying connection interval Range: 0x0001 to 0x01F4

Max_Latency:

Size: 2 octets

Value	Parameter Description
0xXXXX	Maximum Peripheral latency for the connection in units of subrated connection intervals Range: 0x0000 to 0x01F3

Continuation_Number:

Size: 2 octets

Value	Parameter Description
0xXXXX	Minimum number of underlying connection events to remain active after a packet containing a Link Layer PDU with a non-zero Length field is sent or received Range: 0x0000 to 0x01F3

Supervision_Timeout:

Size: 2 octets

Value	Parameter Description
N = 0xXXXX	Supervision timeout for this connection Range: 0x000A to 0x0C80 Time = N × 10 ms Time Range: 100 ms to 32 s

Return parameters:

None.

Event(s) Generated (unless masked away):

When the Controller receives the HCI_LE_Subrate_Request command, the Controller sends the HCI_Command_Status event to the Host. An HCI_LE_Subrate_Change event shall be generated when the Connection Subrate Update procedure has completed.



7.8.125 LE Set Periodic Advertising Subevent Data command

Command	OCF	Command Parameters	Return Parameters
HCI_LE_Set_Periodic_Advertising_Subevent_Data	0x82	Advertising_Handle, Num_Subevents, Subevent[i], Response_Slot_Start[i] Response_Slot_Count[i] Subevent_Data_Length[i], Subevent_Data[i]	Status, Advertising_Handle

Description:

The HCI_LE_Set_Periodic_Advertising_Subevent_Data command is used by the Host to set the data for one or more subevents of PAwR in reply to an HCI_LE_Periodic_Advertising_Subevent_Data_Request event. The data for a subevent shall be transmitted only once.

The Advertising_Handle parameter identifies the advertising set whose periodic advertising subevent data is being set. If the corresponding advertising set does not already exist, then the Controller shall return the error code *Unknown Advertising Identifier* (0x42).

The Num_Subevents parameter is the number of subevent data contained in the parameter arrays.

The Subevent arrayed parameter identifies the subevent of the PAwR that is being set. If the Host provides a subevent value that is outside of the range of subevents requested using the HCI_LE_Periodic_Advertising_Subevent_Data_Request event, then the Controller shall return the error code *Command Disallowed* (0x0C).

The Response_Slot_Start and Response_Slot_Count arrayed parameters identify the starting response slot and the number of response slots that are expected to be used in this subevent.

The Subevent_Data_Length arrayed parameter determines the length of the Subevent_Data that is significant.

The Subevent_Data arrayed parameter contains the advertising data to be transmitted in the subevent of the advertising set. If the combined data length is greater than the maximum that the Controller can transmit within the current subevent interval, then all data shall be discarded and the Controller shall return the error code *Packet Too Long* (0x45). If advertising on the LE Coded PHY, then the S=8 coding shall be assumed unless the current advertising parameters require the use of S=2 for an advertising physical channel, in which case the S=2 coding shall be assumed for that advertising physical channel.



If the `Subevent_Data` cannot be transmitted because, for example, the subevent where this data would have been sent has already passed or is too early, then the Controller shall return the error code *Too Late* (0x46) or *Too Early* (0x47) and discard the data.

Command parameters:

Advertising_Handle: Size: 1 octet

Value	Parameter Description
0xXX	Used to identify a periodic advertising train Range: 0x00 to 0xEF

Num_Subevents: Size: 1 octet

Value	Parameter Description
0x01 to 0x0F	Number of subevent data in the command.
All other values	Reserved for future use

Subevent[i]: Size: $Num_Subevents \times 1$ octet

Value	Parameter Description
0xXX	The subevent index of the data contained in this command. Range: 0x00 to 0x7F

Response_Slot_Start[i]: Size: $Num_Subevents \times 1$ octet

Value	Parameter Description
0xXX	The first response slots to be used in this subevent.

Response_Slot_Count[i]: Size: $Num_Subevents \times 1$ octet

Value	Parameter Description
0xXX	The number of response slots to be used.

Subevent_Data_Length[i]: Size: $Num_Subevents \times 1$ octet

Value	Parameter Description
0 to 251	The number of octets in the <code>Subevent_Data</code> parameter.
All other values	Reserved for future use

Subevent_Data[i]: Size: $SUM(Subevent_Data_Length[i])$ octets

Value	Parameter Description
Variable	Advertising data formatted as defined in [Vol 3] Part C, Section 11.

**Return parameters:***Status:**Size: 1 octet*

Value	Parameter Description
0x00	HCI_LE_Set_Periodic_Advertising_Subevent_Data command succeeded.
0x01 to 0xFF	HCI_LE_Set_Periodic_Advertising_Subevent_Data command failed. See [Vol 1] Part F, Controller Error Codes for a list of error codes and descriptions.

*Advertising_Handle:**Size: 1 octet*

Value	Parameter Description
0xXX	Used to identify a periodic advertising train Range: 0x00 to 0xEF

Event(s) Generated (unless masked away):

When the HCI_LE_Set_Periodic_Advertising_Subevent_Data command has completed, an HCI_Command_Complete event shall be generated.



7.8.126 LE Set Periodic Advertising Response Data command

Command	OCF	Command Parameters	Return Parameters
HCI_LE_Set_Periodic_Advertising_Response_Data	0x83	Sync_Handle, Request_Event, Request_Subevent, Response_Subevent, Response_Slot, Response_Data_Length, Response_Data	Status, Sync_Handle

Description:

The HCI_LE_Set_Periodic_Advertising_Response_Data command is used by the Host to set the data for a response slot in a specific subevent of the PAwR identified by the Sync_Handle. The data for a response slot shall be transmitted only once.

The Request_Event parameter identifies the periodic advertising event in which the periodic advertising packet that the Host is responding to was received.

The Request_Subevent parameter identifies the subevent in which the periodic advertising packet that the Host is responding to was received.

The Response_Subevent parameter identifies the subevent that the response shall be sent in.

The Response_Slot parameter identifies the response slot in the subevent identified by the Response_Subevent parameter in which this response data is to be transmitted.

The Response_Data_Length specifies the length of the Response_Data that is significant.

The Response_Data contains the advertising data to be transmitted in the response slot. If the Response_Data_Length is greater than the maximum that the Controller can transmit within the response slot, then the Response_Data shall be discarded and the Controller shall return the error code *Packet Too Long* (0x45). If advertising on the LE Coded PHY, then the S=8 coding shall be assumed unless the current advertising parameters require the use of S=2 for an advertising physical channel, in which case the S=2 coding shall be assumed for that advertising physical channel.

If the response slot identified by the Response_Slot parameter has passed by the time this command is received by the Controller, the Controller shall return the error code *Too Late* (0x46) and discard the Response_Data parameter.

**Command parameters:**

Sync_Handle: *Size: 2 octets (12 bits meaningful)*

Value	Parameter Description
0xXXXX	Sync_Handle identifying the PAwR train Range: 0x0000 to 0x0EFF

Request_Event: *Size: 2 octets*

Value	Parameter Description
0xXXXX	The value of <i>paEventCounter</i> (see [Vol 6] Part B, Section 4.4.2.1) for the periodic advertising packet that the Host is responding to

Request_Subevent: *Size: 1 octet*

Value	Parameter Description
0xXX	The subevent for the periodic advertising packet that the Host is responding to

Response_Subevent: *Size: 1 octet*

Value	Parameter Description
0xXX	Used to identify the subevent of the PAwR train. Range: 0x00 to 0x7F

Response_Slot: *Size: 1 octet*

Value	Parameter Description
0xXX	Used to identify the response slot of the PAwR train. Range: 0x00 to 0xFF

Response_Data_Length: *Size: 1 octet*

Value	Parameter Description
0 to 251	The number of octets in the Response_Data parameter.
All other values	Reserved for future use

Response_Data: *Size: Response_Data_Length octets*

Value	Parameter Description
Variable	Response data formatted as defined in [Vol 3] Part C, Section 11.

**Return parameters:***Status:**Size: 1 octet*

Value	Parameter Description
0x00	HCI_LE_Periodic_Advertising_Response_Data command succeeded.
0x01 to 0xFF	HCI_LE_Periodic_Advertising_Response_Data command failed. See [Vol 1] Part F, Controller Error Codes for a list of error codes and descriptions.

*Sync_Handle:**Size: 2 octets (12 bits meaningful)*

Value	Parameter Description
0xXXXX	Sync_Handle identifying the periodic advertising train. Range: 0x0000 to 0x0EFF

Event(s) Generated (unless masked away):

When the HCI_LE_Periodic_Advertising_Response_Data command has completed, an HCI_Command_Complete event shall be generated.



7.8.127 LE Set Periodic Sync Subevent command

Command	OCF	Command Parameters	Return Parameters
HCI_LE_Set_Periodic_Sync_Subevent	0x84	Sync_Handle, Periodic_Advertising_Properties, Num_Subevents, Subevent[i]	Status, Sync_Handle

Description:

The HCI_LE_Set_Periodic_Sync_Subevent command is used to instruct the Controller to synchronize with a subset of the subevents within a PAwR train identified by the Sync_Handle parameter, listen for packets sent by the peer device and pass any received data up to the Host. If the Controller is synchronized with any subevents that are not in the subset of subevents in this command, then the Controller shall no longer synchronize with those subevents.

The Periodic_Advertising_Properties parameter indicates which fields should be included in the AUX_SYNC_SUBEVENT_RSP PDUs.

The Num_Subevents parameter identifies the number of values in the subevents parameter.

The Subevents arrayed parameter identifies the subevents that the Controller shall synchronize with.

Command parameters:

Sync_Handle: *Size: 2 octets (12 bits meaningful)*

Value	Parameter Description
0xXXXX	Sync_Handle identifying the PAwR train Range: 0x0000 to 0x0EFF

Periodic_Advertising_Properties: *Size: 2 octets*

Bit Number	Parameter Description
6	Include TxPower in the advertising PDU
All other bits	Reserved for future use

**Num_Subevents:***Size: 1 octet*

Value	Parameter Description
0xXX	Number of subevents. Range: 0x01 to 0x80

Subevent[i]:*Size: Num_Subevents × 1 octet*

Value	Parameter Description
0xXX	The subevent to synchronize with. Range 0x00 to 0x7F

Return parameters:**Status:***Size: 1 octet*

Value	Parameter Description
0x00	HCI_LE_Set_Periodic_Sync_Subevent command succeeded.
0x01 to 0xFF	HCI_LE_Set_Periodic_Sync_Subevent command failed. See [Vol 1] Part F, Controller Error Codes for a list of error codes and descriptions.

Sync_Handle:*Size: 2 octets (12 bits meaningful)*

Value	Parameter Description
0xXXXX	Sync_Handle identifying the periodic advertising train Range: 0x0000 to 0x0EFF

Event(s) Generated (unless masked away):

When the HCI_LE_Set_Periodic_Sync_Subevent command has completed, an HCI_Command_Complete event shall be generated.



APPENDIX A [THIS APPENDIX IS NO LONGER USED]



APPENDIX B REMOVED COMMANDS AND EVENTS

Table B.1 lists commands that have been removed from the specification. The OGF/OCF combinations in this table are previously used (see [Vol 1] Part E, Section 2.4).

OGF	OCF	Removed command name
0x01	0x0007	Add SCO Connection command
0x01	0x0035	Create Physical Link command
0x01	0x0036	Accept Physical Link command
0x01	0x0037	Disconnect Physical Link command
0x01	0x0038	Create Logical Link command
0x01	0x0039	Accept Logical Link command
0x01	0x003A	Disconnect Logical Link command
0x01	0x003B	Logical Link Cancel command
0x01	0x003C	Flow Spec Modify command
0x02	0x0005	Park State command
0x02	0x0006	Exit Park State command
0x03	0x000B	Create New Unit Key command
0x03	0x0021	Read Encryption Mode command
0x03	0x0022	Write Encryption Mode command
0x03	0x003B	Read Page Scan Period Mode command
0x03	0x003C	Write Page Scan Period Mode command
0x03	0x003D	Read Page Scan Mode command
0x03	0x003E	Write Page Scan Mode command
0x03	0x0061	Read Logical Link Accept Timeout command
0x03	0x0062	Write Logical Link Accept Timeout command
0x03	0x0064	Read Location Data command
0x03	0x0065	Write Location Data command
0x03	0x0069	Read Best Effort Flush Timeout command
0x03	0x006A	Write Best Effort Flush Timeout command
0x03	0x006B	Short Range Mode command
0x04	0x0007	Read Country Code command
0x05	0x0009	Read Local AMP Info command

Table B.1: Removed commands



OGF	OCF	Removed command name
0x05	0x000A	Write Local AMP ASSOC command
0x05	0x000B	Write Remote AMP ASSOC command
0x06	0x0007	Enable AMP Receiver Reports command
0x06	0x0008	AMP Test End command
0x06	0x0009	AMP Test command

Table B.1: Removed commands

Table B.2 lists events that have been removed from the specification. The event codes in this table are previously used.

Event code	Removed event name
0x1F	Page Scan Mode Change event
0x40	Physical Link Complete event
0x41	Channel Selected event
0x42	Disconnection Physical Link Complete event
0x43	Physical Link Loss Early Warning event
0x44	Physical Link Recovery event
0x45	Logical Link Complete event
0x46	Disconnection Logical Link Complete event
0x47	Flow Spec Modify Complete event
0x49	AMP Start Test event
0x4A	AMP Test End event
0x4B	AMP Receiver Report event
0x4C	Short Range Mode Change Complete event
0x4D	AMP Status Change event

Table B.2: Removed events



**[This Volume Is No Longer
Used]**

Specification of the *Bluetooth*[®] System

Volume 5

Covered Core Package Version: 5.4

Version Date: 2023-01-31



Low Energy Controller

Specification of the *Bluetooth[®]* System

Volume 6

Covered Core Package Version: **5.4**

Version Date: **2023-01-31**

Low Energy Controller
Part A

**PHYSICAL LAYER
SPECIFICATION**

This Part describes the Bluetooth Low Energy physical layer.



CONTENTS

1	Scope	2648
2	Frequency bands and channel arrangement	2650
3	Transmitter characteristics	2651
3.1	Modulation characteristics	2652
3.1.1	Stable modulation index.....	2653
3.2	Spurious emissions	2653
3.2.1	Modulation spectrum.....	2653
3.2.2	In-band spurious emission	2653
3.2.3	Out-of-band spurious emission	2654
3.3	Radio frequency tolerance.....	2654
4	Receiver characteristics	2655
4.1	Actual sensitivity level.....	2655
4.2	Interference performance	2655
4.3	Out-of-band blocking	2657
4.4	Intermodulation characteristics	2658
4.5	Maximum usable level	2659
4.6	Reference signal definition	2659
4.7	Stable modulation index	2659
4.8	Received Signal Strength Indication.....	2659
5	Antenna switching	2660
5.1	General description	2660
5.2	Receiver characteristics	2661
5.2.1	Definitions	2661
5.2.2	Requirements.....	2662
5.2.3	Test switching pattern	2662
Appendix A	Test Conditions	2663
A.1	Normal operating conditions (NOC)	2663
A.1.1	Normal temperature and air humidity	2663
A.1.2	Nominal supply voltage	2663



1 SCOPE

Bluetooth Low Energy (LE) devices operate in the unlicensed 2.4 GHz ISM (Industrial Scientific Medical) band. A frequency hopping transceiver is used to combat interference and fading.

Two modulation schemes are defined. The mandatory modulation scheme (“1 Msym/s modulation”) uses a shaped, binary FM to minimize transceiver complexity. The symbol rate is 1 Msym/s. An optional modulation scheme (“2 Msym/s modulation”) is similar but uses a symbol rate of 2 Msym/s.

The 1 Msym/s modulation supports two PHYs:

- LE 1M, with uncoded data at 1 Mb/s;
- LE Coded, with the Access Address, Coding Indicator, and TERM1 coded at 125 kb/s and the payload coded at either 125 kb/s or 500 kb/s.

A device shall support the LE 1M PHY. Support for the LE Coded PHY is optional.

The 2 Msym/s modulation supports a single PHY:

- LE 2M, with uncoded data at 2 Mb/s

A Time Division Duplex (TDD) scheme is used on all PHYs. The specification defines the requirements for a Bluetooth radio for the Low Energy radio.

Requirements are defined for two reasons:

- Provide compatibility between radios used in the system
- Define the quality of the system

An LE radio shall have a transmitter or a receiver, or both.

The LE radio shall fulfill the stated requirements for the operating conditions declared by the equipment manufacturer (see [Section A.1](#)).

The specification is based on the established regulations for Europe, Japan, North America, Taiwan, South Korea and China. The standard documents listed below are only for information, and are subject to change or revision at any time.

The Bluetooth SIG maintains regulatory content associated with Bluetooth technology in the 2.4 GHz ISM band on its web site, at <https://www.bluetooth.com/regulatory-requirements/>.

Europe:

Approval Standards: European Telecommunications Standards Institute, ETSI
Documents: EN 300 328, EN 300 440, EN 301 489-17

**Japan:**

Approval Standards: Japanese Radio Law, JRL

Documents: Japanese Radio Law: Article 4.3, Article 28, Article 29, Article 38

Radio Equipment Regulations: Article 5, Article 6, Article 7, Article 14,
Article 24, Article 9.4, Article 49.20.1.C.2, Article 49.20.1.E.3

Radio Law Enforcement Regulations: Article 6.2, Article 6.4.4.1, Article 7

North America:

Approval Standards: Federal Communications Commission, FCC, USA

Documents: CFR47, Part 15: Sections 15.205, 15.209 and 15.247

Approval Standards: Industry Canada, IC, Canada

Documents: RSS-210 and RSS139

Taiwan:

Approval Standards: National Communications Commission, NCC

Documents: Low Power 0002 (LP0002); Low-power Radio-frequency Devices
Technical Regulations

South Korea:

Approval Standards: Korea Communications Commission, KCC

Documents: Rules on Radio Equipment 2008-116

China:

Approval Standards: Ministry of Industry and Information Technology, MIIT

Documents: MIIT regulation [2002]353



2 FREQUENCY BANDS AND CHANNEL ARRANGEMENT

The LE system operates in the 2.4 GHz ISM band at 2400 MHz to 2483.5 MHz. The LE system uses 40 RF channels with center frequencies at a 2 MHz spacing from 2402 MHz to 2480 MHz.



3 TRANSMITTER CHARACTERISTICS

The requirements stated in this section are given as power levels at the antenna connector of the LE device; this is also referred to as the radiative transmit power level of the device. If the device does not have a connector, a reference antenna with 0 dBi gain is assumed. Power level values used in HCI commands, HCI events, Advertising physical channel PDUs, and Link Layer Control PDUs shall be assumed to be the radiative transmit power level of the device unless specified otherwise.

Due to the difficulty in making accurate radiated measurements, systems with an integral antenna should provide a temporary antenna connector during LE PHY qualification testing.

For a transmitter, the radiative transmit power level at the maximum power setting shall be between 0.01 mW (-20 dBm) and 100 mW (+20 dBm).

Devices shall not exceed the maximum allowed transmit power levels set by the regulatory bodies that have jurisdiction over the locales in which the device is to be sold or intended to operate. Implementers should be aware that the maximum transmit power level permitted under a given set of regulations might not be the same for all modulation modes.

Using high transmit power in use cases where short ranges could be encountered can cause the receiver on the remote device to be saturated and result in link failure. The LE Power Control Request feature can be used to adjust a connected remote device's transmit power level based on the receiver's signal level. When the LE Power Control Request feature is used on a connection with long connection intervals, devices should use reliable RSSI measurements from recent connection events to determine whether or not to send power control requests. When a device is capable of adjusting its transmit power level using the LE Power Control Request feature, the difference between any two adjacent transmit power levels supported by the radio design should be no greater than 8 dB. When the LE Power Control Request feature is not supported by either the local or remote device, implementers should avoid use of high output power in such scenarios or employ a mechanism for switching between two or more transmit power levels in an attempt to establish, re-establish, or maintain connections.

The output power control of a device may be changed locally, for example to optimize the power consumption or reduce interference to other equipment.



Bluetooth devices are classified into power classes based on the output power level at the maximum power setting the LE PHY supports (P_{max}), as defined in Table 3.1.

Power Class	Requirements
1	$100 \text{ mW (+20 dBm)} \geq P_{max} > 10 \text{ mW (+10 dBm)}$
1.5	$10 \text{ mW (+10 dBm)} \geq P_{max} > 2.5 \text{ mW (+4 dBm)}$
2	$2.5 \text{ mW (+4 dBm)} \geq P_{max} > 1 \text{ mW (0 dBm)}$
3	$1 \text{ mW (0 dBm)} \geq P_{max} \geq 0.01 \text{ mW (-20 dBm)}$

Table 3.1: LE PHY power classes

3.1 MODULATION CHARACTERISTICS

The modulation is Gaussian Frequency Shift Keying (GFSK) with a bandwidth-bit period product $BT=0.5$. The modulation index shall be between 0.45 and 0.55. A binary one shall be represented by a positive frequency deviation, and a binary zero shall be represented by a negative frequency deviation.

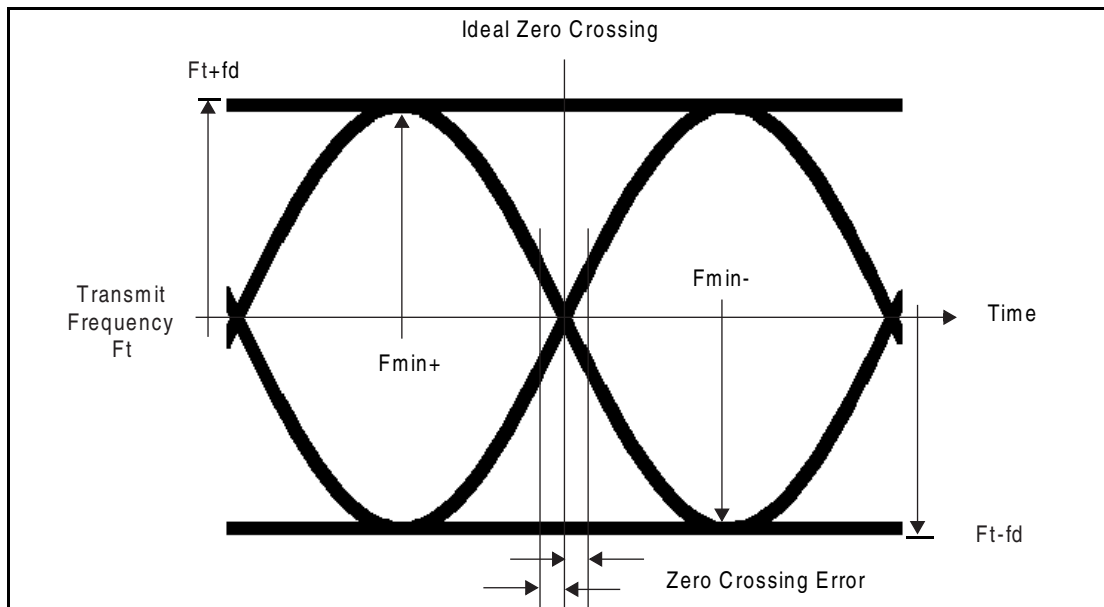


Figure 3.1: GFSK parameters definition

For each transmission the minimum frequency deviation,

$$F_{min} = \min \{ |F_{min+}|, F_{min-} \}$$

which corresponds to a 1010 sequence, shall be no smaller than $\pm 80\%$ of the frequency deviation with respect to the transmit frequency, which corresponds to a 00001111 sequence.



The minimum frequency deviation shall never be less than 185 kHz when transmitting at 1 megasymbol per second (Msym/s) symbol rate and never be less than 370 kHz when transmitting at 2 Msym/s symbol rate. The symbol timing accuracy shall be better than ± 50 ppm.

The zero crossing error is the time difference between the ideal symbol period and the measured crossing time. This shall be less than $\pm 1/8$ of a symbol period.

See [Figure 3.1](#) for the definitions of some symbols and terms in these requirements.

3.1.1 Stable modulation index

An LE device with a transmitter that has a stable modulation index may inform the receiving LE device of this fact through the feature support mechanism (see [\[Vol 6\] Part B, Section 4.6](#)). The modulation index for these transmitters shall be between 0.495 and 0.505. A device shall only state that it has a stable modulation index if that applies to all LE transmitter PHYs it supports.

A transmitter that does not have a stable modulation index is said to have a standard modulation index.

3.2 SPURIOUS EMISSIONS

3.2.1 Modulation spectrum

For products intended to comply with FCC part 15.247 rules, the minimum 6 dB bandwidth of the transmitter spectrum shall be at least 500 kHz using a resolution bandwidth of 100 kHz.

3.2.2 In-band spurious emission

An adjacent channel power is specified for channels at least 2 MHz from the carrier when transmitting with 1 Msym/s modulation (applies to the LE 1M and LE Coded PHYs) or at least 4 MHz from the carrier when transmitting with 2 Msym/s modulation (applies to the LE 2M PHY). This adjacent channel power is defined as the sum of the measured power in a 1 MHz bandwidth.

The spectrum measurement shall be performed with a 100 kHz resolution bandwidth and an average detector. The device shall transmit on an RF channel with the center frequency M and the adjacent channel power shall be measured on a 1 MHz RF frequency N. The transmitter shall transmit a pseudo random data pattern in the payload throughout the test.



Frequency offset	Spurious Power
2 MHz ($ M-N = 2$)	-20 dBm
3 MHz or greater ($ M-N \geq 3$)	-30 dBm

Table 3.2: Transmit spectrum mask when transmitting with 1 Msym/s modulation

Frequency offset	Spurious Power
4 MHz ($ M-N = 4$)	-20 dBm
5 MHz ($ M-N = 5$)	-20 dBm
6 MHz or greater ($ M-N \geq 6$)	-30 dBm

Table 3.3: Transmit spectrum mask when transmitting with 2 Msym/s modulation

Exceptions are allowed in up to three bands of 1 MHz width, centered on a frequency which is an integer multiple of 1 MHz. These exceptions shall have an absolute value of -20 dBm or less.

3.2.3 Out-of-band spurious emission

The equipment manufacturer is responsible for the ISM out-of-band spurious emissions requirements in the intended countries of sale.

3.3 RADIO FREQUENCY TOLERANCE

The deviation of the center frequency during the packet shall not exceed ± 150 kHz, including both the initial frequency offset and drift. The frequency drift during any packet shall be less than 50 kHz. The drift rate shall be less than 400 Hz/ μ s.

The limits on the transmitter center frequency drift within a packet is shown in [Table 3.4](#).

Parameter	Frequency Drift
Maximum drift	± 50 kHz
Maximum drift rate ¹	400 Hz/ μ s

Table 3.4: Maximum allowable frequency drifts in a packet

1. The maximum drift rate is allowed anywhere in a packet.



4 RECEIVER CHARACTERISTICS

The reference sensitivity level referred to in this section is -70 dBm. The packet error rate corresponding to the defined bit error ratio (BER) shall be used in all receiver characteristic measurements.

4.1 ACTUAL SENSITIVITY LEVEL

The actual sensitivity level is defined as the receiver input level for which the BER specified in [Table 4.1](#) is achieved.

Maximum Supported Payload Length (bytes)	BER (%)
1 to 37	0.1
38 to 63	0.064
64 to 127	0.034
128 to 255	0.017

Table 4.1: Actual sensitivity BER by maximum payload length

The actual sensitivity level of the receiver for a given PHY shall be as specified in [Table 4.2](#). This shall apply with any transmitter compliant to the transmitter specification specified in [Section 3](#) together with any combination of the following allowed parameter variations:

- Initial frequency offset
- Frequency drift
- Symbol rate
- Frequency deviation

PHY	Sensitivity (dBm)
LE Uncoded PHYs	≤ -70
LE Coded PHY with S=2 coding	≤ -75
LE Coded PHY with S=8 coding	≤ -82

Table 4.2: Receiver sensitivity for a given PHY

4.2 INTERFERENCE PERFORMANCE

The interference performance shall be measured with a wanted signal 3 dB over the reference sensitivity level. If the frequency of an interfering signal is outside of the band 2400 MHz to 2483.5 MHz, the out-of-band blocking specification (see [Section 4.3](#)) shall apply. Both the desired and the interfering signal shall be reference signals as specified in [Section 4.6](#). The BER shall be



≤0.1% for all the signal-to-interference ratios listed in Table 4.3, Table 4.4, Table 4.5, and Table 4.6:

Frequency of Interference	Ratio
Co-Channel interference, $C/I_{\text{co-channel}}$	21 dB
Adjacent (1 MHz) interference ¹ , $C/I_{1 \text{ MHz}}$	15 dB
Adjacent (2 MHz) interference ¹ , $C/I_{2 \text{ MHz}}$	-17 dB
Adjacent (≥ 3 MHz) interference ¹ , $C/I_{\geq 3 \text{ MHz}}$	-27 dB
Image frequency interference ^{1 2 3} , C/I_{image}	-9 dB
Adjacent (1 MHz) interference to in-band image frequency ¹ , $C/I_{\text{image}\pm 1\text{MHz}}$	-15 dB

Table 4.3: Interference performance for LE 1M PHY

Frequency of Interference	Ratio
Co-Channel interference, $C/I_{\text{co-channel}}$	21 dB
Adjacent (2 MHz) interference ¹ , $C/I_{2 \text{ MHz}}$	15 dB
Adjacent (4 MHz) interference ¹ , $C/I_{4 \text{ MHz}}$	-17 dB
Adjacent (≥ 6 MHz) interference ¹ , $C/I_{\geq 6 \text{ MHz}}$	-27 dB
Image frequency interference ^{1 2 4} , C/I_{image}	-9 dB
Adjacent (2 MHz) interference to in-band image frequency ¹ , $C/I_{\text{image}\pm 2\text{MHz}}$	-15 dB

Table 4.4: Interference performance for LE 2M PHY

Frequency of Interference	Ratio
Co-Channel interference, $C/I_{\text{co-channel}}$	12 dB
Adjacent (1 MHz) interference ¹ , $C/I_{1 \text{ MHz}}$	6 dB
Adjacent (2 MHz) interference ¹ , $C/I_{2 \text{ MHz}}$	-26 dB
Adjacent (≥ 3 MHz) interference ¹ , $C/I_{\geq 3 \text{ MHz}}$	-36 dB
Image frequency interference ^{1 2 3} , C/I_{image}	-18 dB
Adjacent (1 MHz) interference to in-band image frequency ¹ , $C/I_{\text{image}\pm 1\text{MHz}}$	-24 dB

Table 4.5: Interference performance for the LE Coded PHY with S=8 coding (125 kb/s data rate)



Frequency of Interference	Ratio
Co-Channel interference, $C/I_{\text{co-channel}}$	17 dB
Adjacent (1 MHz) interference ¹ , $C/I_{1 \text{ MHz}}$	11 dB
Adjacent (2 MHz) interference ¹ , $C/I_{2 \text{ MHz}}$	-21 dB
Adjacent (≥ 3 MHz) interference ¹ , $C/I_{\geq 3 \text{ MHz}}$	-31 dB
Image frequency interference ^{1 2 3} , C/I_{image}	-13 dB
Adjacent (1 MHz) interference to in-band image frequency ¹ , $C/I_{\text{Image} \pm 1 \text{ MHz}}$	-19 dB

Table 4.6: Interference performance for the LE Coded PHY with S=2 coding (500 kb/s data rate)

Notes:

1. If two adjacent frequency specifications from [Table 4.3](#), [Table 4.4](#), [Table 4.5](#), or [Table 4.6](#) (as appropriate) are applicable to the same frequency, the more relaxed specification applies.
2. In-band image frequency.
3. If the image frequency $\neq n \cdot 1$ MHz, then the image reference frequency is defined as the closest $n \cdot 1$ MHz frequency for integer n.
4. If the image frequency $\neq n \cdot 2$ MHz, then the image reference frequency is defined as the closest $n \cdot 2$ MHz frequency for integer n.

Any frequencies where the requirements are not met are called spurious response RF channels. Five spurious response RF channels are allowed with a distance of ≥ 2 MHz from the wanted signal when receiving with 1 Msym/s modulation and a distance of ≥ 4 MHz when receiving with 2 Msym/s modulation; different spurious response channels are allowed for the two modulation schemes. This excludes the image frequency with both 1 Msym/s and 2 Msym/s modulation, the image frequency ± 1 MHz with 1 Msym/s modulation, and the image frequency ± 2 MHz with 2 Msym/s modulation. On these spurious response RF channels, a relaxed interference requirement $C/I = -17$ dB shall be met by both 1 Msym/s and 2 Msym/s modulation transmitters.

4.3 OUT-OF-BAND BLOCKING

The out-of-band blocking applies to interfering signals outside the band 2400 MHz to 2483.5 MHz. The out-of-band suppression (or rejection) shall be measured with a wanted signal 3 dB over the reference sensitivity level. The interfering signal shall be a continuous wave signal. The desired signal shall be a reference signal as specified in [Section 4.6](#), with a center frequency of



2426 MHz. The BER shall be $\leq 0.1\%$. The out-of-band blocking shall fulfill the following requirements:

Interfering Signal Frequency	Interfering Signal Power Level	Measurement resolution
30 MHz to 2000 MHz	-30 dBm	10 MHz
2003 MHz to 2399 MHz	-35 dBm	3 MHz
2484 MHz to 2997 MHz	-35 dBm	3 MHz
3000 MHz to 12.75 GHz	-30 dBm	25 MHz

Table 4.7: Out-of-band suppression (or rejection) requirements

Up to 10 exceptions are permitted, which are dependent upon the given RF channel and are centered at a frequency which is an integer multiple of 1 MHz:

- For at least 7 of these spurious response frequencies, a reduced interference level of at least -50 dBm is allowed in order to achieve the required BER $\leq 0.1\%$.
- For a maximum of 3 of the spurious response frequencies, the interference level may be lower.

4.4 INTERMODULATION CHARACTERISTICS

The actual sensitivity performance, BER $\leq 0.1\%$, shall be met under the following conditions:

- The wanted signal shall be at a frequency f_0 with a power level 6 dB over the reference sensitivity level. The wanted signal shall be a reference signal as specified in [Section 4.6](#).
- A static sine wave signal shall be at a frequency f_1 with a power level of -50 dBm.
- An interfering signal shall be at a frequency f_2 with a power level of -50 dBm. The interfering signal shall be a reference signal as specified in [Section 4.6](#).

When receiving with 1 Msym/s modulation, frequencies f_0 , f_1 and f_2 shall be chosen such that $f_0 = 2 \cdot f_1 - f_2$ and $|f_2 - f_1| = n \cdot 1 \text{ MHz}$, where n can be 3, 4, or 5.

When receiving with 2 Msym/s modulation, frequencies f_0 , f_1 and f_2 shall be chosen such that $f_0 = 2 \cdot f_1 - f_2$ and $|f_2 - f_1| = n \cdot 2 \text{ MHz}$, where n can be 3, 4, or 5.

The system shall fulfill at least one of the three alternatives (n=3, 4, or 5); different modulation schemes can use different alternatives.



4.5 MAXIMUM USABLE LEVEL

The maximum usable input level the receiver can operate at shall be greater than -10 dBm, and the BER shall be less than or equal to 0.1% at -10 dBm input power. The input signal shall be a reference signal as specified in [Section 4.6](#).

4.6 REFERENCE SIGNAL DEFINITION

The reference signal for LE is defined as:

Modulation = GFSK

Modulation index = $0.5 \pm 1\%$ for standard modulation index, $0.5 \pm 0.5\%$ for stable modulation index

BT = $0.5 \pm 1\%$

Data Bit Rate =

- 1 Mb/s ± 1 ppm for the LE 1M PHY
- 2 Mb/s ± 1 ppm for the LE 2M PHY
- 125 kb/s ± 1 ppm for the LE Coded PHY when using S=8 coding
- 500 kb/s ± 1 ppm for the LE Coded PHY when using S=2 coding

Modulating Data for wanted signal = PRBS9

Modulating Data for interfering signal = PRBS15

Frequency accuracy better than ± 1 ppm

4.7 STABLE MODULATION INDEX

An LE device may have a receiver that can take advantage of the fact that the remote device indicates support for the Stable Modulation Index - Transmitter feature (see [\[Vol 6\] Part B, Section 4.6](#)). Such a receiver is said to have stable modulation index support.

4.8 RECEIVED SIGNAL STRENGTH INDICATION

If a device supports Received Signal Strength Indication (RSSI) the accuracy should be ± 6 dB. If the device is aware that the RSSI varies across frequencies, then it should update the RSSI value of a packet depending on the frequency that the packet was received on before using the value, e.g., before reporting it to the Host.

5 ANTENNA SWITCHING

5.1 GENERAL DESCRIPTION

A device may support an antenna array consisting of two or more antennae that are controlled by a switch. The device switches between the antennae either while receiving the Constant Tone Extension of a packet (see [Vol 6] Part B, Section 2.1.5) (Angle of Arrival method) or while transmitting the Constant Tone Extension of a packet (Angle of Departure method). The switching takes place during time periods called switch slots. The first 4 μs of the Constant Tone Extension are termed the guard period and the next 8 μs are termed the reference period. The receiving Link Layer captures IQ samples during the reference period and during time periods called sample slots.

When a Controller that supports two or more antennae transmits a packet containing an AoD Constant Tone Extension or receives a packet containing an AoA Constant Tone Extension, it shall switch the antennae according to the switching pattern configured by its Host.

The first antenna in the pattern shall be used during the reference period (see [Vol 6] Part B, Section 2.5.1 for the Constant Tone Extension format). The second antenna in the pattern shall be used during the first sample slot, the third antenna during the second sample slot, and so on. The same antenna ID may appear more than once in the pattern. The antenna in use shall only be changed during the guard period and switch slots.

If the pattern specified by the Host is exhausted before the last sample slot, it shall be restarted from the beginning (this can happen more than once); that is, the first antenna in the pattern is used in the sample slot following that used for the last antenna in the pattern. If the pattern has not been completely used by the end of the Constant Tone Extension, any remaining terms shall be ignored.

The Controller shall support the antenna switching pattern lengths specified in Table 5.2. It may support other lengths.

Number of antennae	Mandatory supported lengths of antenna switching pattern
2	1 to 4
3	1 to 8
≥ 4	1 to 12

Table 5.1: Mandatory supported lengths of antenna switching pattern



5.2 RECEIVER CHARACTERISTICS

A receiver shall meet the requirements of [Section 5.2.2](#) when the test switching pattern specified in [Section 5.2.3](#) is used. The definitions in [Section 5.2.1](#) shall apply throughout those sections.

5.2.1 Definitions

$$i = \sqrt{-1}$$

All angles are measured in radians.

$Arg(x)$ is the principal value of the argument, or phase angle, of the complex number x , in the range $(-\pi, \pi]$.

$principal(a)$ is the principal value of the real angle a . That is, it equals $a + 2\pi k$ where k is an integer chosen so that $-\pi < principal(a) \leq \pi$.

The sample slots of a Constant Tone Extension shall be numbered from 1 to S .

A_0, A_1 , etc. shall be the identifiers of the different antennae in the switching pattern; A_0 shall be the antenna used during the reference period.

Given the IQ samples $I(n)$ and $Q(n)$ from sample slot n , the phase $\phi(n)$ equals $Arg(I(n) + iQ(n))$.

For $2 < n \leq S$, the relative phase $\theta(n)$ equals

$$principal(\phi(n) - 2\phi(n-1) + \phi(n-2))$$

For each antenna A_m except A_0 , the set of relative phase values for A_m is:

$$RP(m) = \{\theta(n) | 2 < n \leq S, A_m \text{ used in sample slot } n\}$$

and the mean of the relative phase values is:

$$MRP(m) = Arg\left(\sum_{\theta \in RP(m)} e^{i\theta}\right)$$

For $2 < n < S$, the reference phase deviation $\psi(n)$ equals

$$principal(\phi(n+1) - 3\phi(n-1) + 2\phi(n-2))$$

The set of reference phase deviation values is:

$$RPD = \{\psi(n) | 2 < n < S, A_0 \text{ not used in sample slot } n\}$$



and its mean is:

$$MRPD = Arg(\sum_{\psi \in RPD} e^{i\psi})$$

If a sample slot n has $I(n) = Q(n) = 0$ or has no valid sample available, then $\phi(n)$ and any value derived from it shall be considered undefined. Such undefined values shall be excluded from the sets $RP(m)$ and RPD .

5.2.2 Requirements

For each antenna A_m used in the switching pattern except A_0 , the results of the summations in the formulae for $MRP(m)$ and $MRPD$ shall be non-zero.

For each antenna A_m used in the switching pattern except A_0 , 95% of the values v in the set $RP(m)$ shall meet $-0.52 \leq principal(v - MRP(m)) \leq 0.52$.

The condition $-1.125 \leq MRPD \leq 1.125$ shall be true.

5.2.3 Test switching pattern

When testing the receiver characteristics, the switching patterns specified in [Table 5.2](#) shall be used by an AoD transmitter or an AoA receiver. The antennae A_0, A_1 , etc. shall be chosen by the implementation and shall all be different.

Note: A_0 is the antenna used during the reference period.

Number of antennae	Test switching pattern
2	A_0, A_1, A_0, A_0
3	$A_0, A_1, A_0, A_0, A_0, A_2, A_0, A_0$
4 or more	$A_0, A_1, A_0, A_0, A_0, A_2, A_0, A_0, A_0, A_3, A_0, A_0$

Table 5.2: Test switching patterns



APPENDIX A TEST CONDITIONS

A.1 NORMAL OPERATING CONDITIONS (NOC)

A.1.1 Normal temperature and air humidity

The normal operating temperature shall be declared by the product manufacturer. The nominal test temperature shall be within $\pm 10^{\circ}\text{C}$ of the normal operating temperature.

A.1.2 Nominal supply voltage

The nominal test voltage for the equipment under normal test conditions shall be the nominal supply voltage as declared by the product manufacturer.

Low Energy Controller
Part B

**LINK LAYER
SPECIFICATION**

This Part describes the Bluetooth Low Energy Link Layer.



CONTENTS

1	General description	2673
1.1	Link Layer states	2673
1.1.1	Permitted state and role combinations.....	2675
1.1.2	Devices supporting only some states	2676
1.2	Bit ordering	2676
1.3	Device address	2677
1.3.1	Public device address	2677
1.3.2	Random device address	2677
1.3.2.1	Static device address	2678
1.3.2.2	Private device address generation	2679
1.3.2.3	Private device address resolution	2680
1.4	Physical channel.....	2680
1.4.1	Physical channel indices.....	2681
2	Air interface packets	2683
2.1	Packet format for the LE Uncoded PHYs	2683
2.1.1	Preamble.....	2683
2.1.2	Access Address	2684
2.1.3	PDU	2686
2.1.4	CRC	2686
2.1.5	Constant Tone Extension	2686
2.2	Packet format for the LE Coded PHY	2687
2.2.1	Preamble.....	2688
2.2.2	Access Address	2688
2.2.3	Coding Indicator.....	2688
2.2.4	PDU	2688
2.2.5	CRC	2688
2.2.6	TERM1 and TERM2.....	2688
2.3	Advertising physical channel PDU.....	2688
2.3.1	Advertising PDUs.....	2691
2.3.1.1	ADV_IND.....	2691
2.3.1.2	ADV_DIRECT_IND	2692
2.3.1.3	ADV_NONCONN_IND	2692
2.3.1.4	ADV_SCAN_IND	2693
2.3.1.5	ADV_EXT_IND.....	2693
2.3.1.6	AUX_ADV_IND	2695
2.3.1.7	AUX_SYNC_IND	2696
2.3.1.8	AUX_CHAIN_IND.....	2697
2.3.1.9	AUX_SYNC_SUBEVENT_IND	2697
2.3.1.10	AUX_SYNC_SUBEVENT_RSP	2698



- 2.3.2 Scanning PDUs..... 2699
 - 2.3.2.1 SCAN_REQ and AUX_SCAN_REQ..... 2699
 - 2.3.2.2 SCAN_RSP..... 2700
 - 2.3.2.3 AUX_SCAN_RSP..... 2700
- 2.3.3 Initiating PDUs 2701
 - 2.3.3.1 CONNECT_IND and AUX_CONNECT_REQ..... 2701
 - 2.3.3.2 AUX_CONNECT_RSP..... 2703
- 2.3.4 Common Extended Advertising Payload Format 2704
 - 2.3.4.1 AdvA field 2705
 - 2.3.4.2 TargetA field..... 2706
 - 2.3.4.3 CTEInfo field..... 2706
 - 2.3.4.4 AdvDataInfo field 2706
 - 2.3.4.5 AuxPtr field 2707
 - 2.3.4.6 SyncInfo field 2709
 - 2.3.4.7 TxPower field..... 2710
 - 2.3.4.8 ACAD field..... 2711
 - 2.3.4.9 Host Advertising Data..... 2711
- 2.4 Data Physical Channel PDU..... 2712
 - 2.4.1 LL Data PDU..... 2714
 - 2.4.2 LL Control PDU..... 2715
 - 2.4.2.1 LL_CONNECTION_UPDATE_IND..... 2717
 - 2.4.2.2 LL_CHANNEL_MAP_IND 2718
 - 2.4.2.3 LL_TERMINATE_IND..... 2718
 - 2.4.2.4 LL_ENC_REQ..... 2719
 - 2.4.2.5 LL_ENC_RSP..... 2719
 - 2.4.2.6 LL_START_ENC_REQ..... 2719
 - 2.4.2.7 LL_START_ENC_RSP..... 2719
 - 2.4.2.8 LL_UNKNOWN_RSP..... 2720
 - 2.4.2.9 LL_FEATURE_REQ..... 2720
 - 2.4.2.10 LL_FEATURE_RSP..... 2720
 - 2.4.2.11 LL_PAUSE_ENC_REQ..... 2721
 - 2.4.2.12 LL_PAUSE_ENC_RSP..... 2721
 - 2.4.2.13 LL_VERSION_IND..... 2721
 - 2.4.2.14 LL_REJECT_IND..... 2721
 - 2.4.2.15 LL_PERIPHERAL_FEATURE_REQ..... 2722
 - 2.4.2.16 LL_CONNECTION_PARAM_REQ..... 2722
 - 2.4.2.17 LL_CONNECTION_PARAM_RSP..... 2723
 - 2.4.2.18 LL_REJECT_EXT_IND..... 2723
 - 2.4.2.19 LL_PING_REQ..... 2724
 - 2.4.2.20 LL_PING_RSP..... 2724
 - 2.4.2.21 LL_LENGTH_REQ and LL_LENGTH_RSP..... 2724
 - 2.4.2.22 LL_PHY_REQ and LL_PHY_RSP..... 2724
 - 2.4.2.23 LL_PHY_UPDATE_IND..... 2725
 - 2.4.2.24 LL_MIN_USED_CHANNELS_IND..... 2726
 - 2.4.2.25 LL_CTE_REQ..... 2726
 - 2.4.2.26 LL_CTE_RSP..... 2727



2.4.2.27	LL_PERIODIC_SYNC_IND	2727
2.4.2.28	LL_CLOCK_ACCURACY_REQ and LL_CLOCK_ACCURACY_RSP	2728
2.4.2.29	LL_CIS_REQ	2728
2.4.2.30	LL_CIS_RSP	2731
2.4.2.31	LL_CIS_IND	2731
2.4.2.32	LL_CIS_TERMINATE_IND	2732
2.4.2.33	LL_POWER_CONTROL_REQ	2732
2.4.2.34	LL_POWER_CONTROL_RSP	2733
2.4.2.35	LL_POWER_CHANGE_IND	2734
2.4.2.36	LL_SUBRATE_REQ PDU	2734
2.4.2.37	LL_SUBRATE_IND PDU	2735
2.4.2.38	LL_CHANNEL_REPORTING_IND	2736
2.4.2.39	LL_CHANNEL_STATUS_IND	2736
2.4.2.40	LL_PERIODIC_SYNC_WR_IND	2737
2.5	Constant Tone Extension and IQ sampling	2737
2.5.1	Constant Tone Extension structure and types	2737
2.5.2	CTEInfo field	2739
2.5.3	Transmitting Constant Tone Extensions	2739
2.5.4	IQ sampling	2739
2.6	Isochronous Physical Channel PDU	2741
2.6.1	Connected Isochronous PDU	2741
2.6.2	Broadcast Isochronous PDU	2742
2.6.3	BIG Control PDU	2743
2.6.3.1	BIG_CHANNEL_MAP_IND	2744
2.6.3.2	BIG_TERMINATE_IND	2745
3	Bit stream processing	2746
3.1	Error checking	2746
3.1.1	CRC generation	2746
3.2	Data whitening	2747
3.3	Coding	2748
3.3.1	Forward Error Correction encoder	2748
3.3.2	Pattern mapper	2749
4	Air Interface protocol	2750
4.1	Frame Space	2750
4.1.1	Inter Frame Space	2750
4.1.2	Minimum AUX Frame Space	2750
4.1.3	Minimum Subevent Space	2750
4.2	Timing requirements	2751
4.2.1	Active clock accuracy	2752
4.2.2	Sleep clock accuracy	2752
4.2.3	Range delay	2753



- 4.2.4 Window widening 2753
- 4.3 Link Layer device filtering 2756
 - 4.3.1 Filter Accept List..... 2757
 - 4.3.2 Advertising filter policy 2757
 - 4.3.3 Scanning filter policy 2757
 - 4.3.3.1 Extended scanning filter policies 2758
 - 4.3.4 Initiator filter policy 2758
 - 4.3.5 Periodic sync establishment filter policy 2759
- 4.4 Non-connected states 2759
 - 4.4.1 Standby state 2759
 - 4.4.2 Advertising state 2760
 - 4.4.2.1 Advertising channel index selection 2762
 - 4.4.2.2 Advertising events 2762
 - 4.4.2.3 Connectable and scannable undirected event type..... 2767
 - 4.4.2.4 Connectable directed event type 2769
 - 4.4.2.5 Scannable undirected event type 2773
 - 4.4.2.6 Non-connectable and non-scannable undirected event type 2776
 - 4.4.2.7 Connectable undirected event type 2778
 - 4.4.2.8 Scannable directed event type 2779
 - 4.4.2.9 Non-connectable and non-scannable directed event type 2780
 - 4.4.2.10 Advertising Sets 2780
 - 4.4.2.11 Using AdvDataInfo (ADI) 2781
 - 4.4.2.12 Periodic advertising 2782
 - 4.4.3 Scanning state 2786
 - 4.4.3.1 Passive scanning 2787
 - 4.4.3.2 Active scanning 2787
 - 4.4.3.3 Advertising sets 2788
 - 4.4.3.4 Scanning for periodic advertisements 2788
 - 4.4.3.5 Advertising reports 2789
 - 4.4.4 Initiating state 2790
 - 4.4.4.1 Connect requests on the primary advertising physical channel..... 2790
 - 4.4.4.2 Connect requests on the secondary advertising physical channel..... 2791
 - 4.4.5 Synchronization state..... 2791
 - 4.4.5.1 Periodic advertising trains 2791
 - 4.4.5.2 Broadcast Isochronous Streams 2792
 - 4.4.6 Isochronous Broadcasting state..... 2793
 - 4.4.6.1 Broadcast Isochronous Stream (BIS)..... 2794
 - 4.4.6.2 Broadcast Isochronous Group (BIG) 2794
 - 4.4.6.3 BIG parameters 2794



4.4.6.4	BIG event	2795
4.4.6.5	Broadcast Isochronous Data	2797
4.4.6.6	BIS subevents	2798
4.4.6.7	Control subevents	2800
4.4.6.8	Channel indices	2801
4.4.6.9	Associated periodic advertising train	2802
4.4.6.10	Encryption	2802
4.4.6.11	BIGInfo	2802
4.5	Connection state.....	2805
4.5.1	Connection events	2806
4.5.2	Supervision timeout	2810
4.5.3	Connection event transmit window	2811
4.5.4	Connection setup – Central Role	2812
4.5.5	Connection setup – Peripheral Role	2813
4.5.6	Closing connection events	2814
4.5.7	Sleep clock accuracy	2815
4.5.8	General-purpose channel group index selection	2815
4.5.8.1	Channel classification.....	2815
4.5.8.2	Channel Selection algorithm #1	2817
4.5.8.3	Channel Selection algorithm #2	2818
4.5.9	Acknowledgment and flow control	2825
4.5.9.1	Flow control	2827
4.5.10	Data PDU length management.....	2827
4.5.11	Control PDU length management.....	2831
4.5.12	Connection termination and loss.....	2831
4.5.13	Connected Isochronous Stream (CIS).....	2832
4.5.13.1	CIS parameters	2832
4.5.13.2	CIS events and subevents	2833
4.5.13.3	Connected Isochronous Data	2835
4.5.13.4	Closing CIS events	2836
4.5.13.5	Flush Timeout and Flush Points	2836
4.5.13.6	Channel indices	2837
4.5.13.7	CIS Encryption	2837
4.5.14	Connected Isochronous Group (CIG)	2837
4.5.14.1	CIG event	2838
4.5.14.2	Arrangement of multiple CISes	2839
4.5.14.3	States of a CIG.....	2840
4.5.15	Power level management	2841
4.5.16	Path loss monitoring	2842
4.5.17	ACL data Host transport	2844
4.6	Feature support	2844
4.6.1	LE Encryption.....	2847



- 4.6.2 Connection Parameters Request procedure..... 2847
- 4.6.3 Extended Reject Indication 2847
- 4.6.4 Peripheral-initiated Features Exchange..... 2847
- 4.6.5 LE Ping 2847
- 4.6.6 LE Data Packet Length Extension 2848
- 4.6.7 LL Privacy 2848
- 4.6.8 Extended Scanning Filter Policies 2848
- 4.6.9 Multiple PHYs 2848
 - 4.6.9.1 Symmetric and asymmetric connections 2849
- 4.6.10 Stable Modulation Index - Transmitter 2849
- 4.6.11 Stable Modulation Index - Receiver 2849
- 4.6.12 LE Extended Advertising..... 2849
- 4.6.13 LE Periodic Advertising..... 2850
- 4.6.14 Channel Selection Algorithm #2..... 2850
- 4.6.15 Minimum Number of Used Channels procedure..... 2850
- 4.6.16 Connection CTE Request 2850
- 4.6.17 Connection CTE Response 2851
- 4.6.18 Connectionless CTE Transmitter 2851
- 4.6.19 Connectionless CTE Receiver..... 2851
- 4.6.20 Antenna Switching During CTE Transmission (AoD) 2851
- 4.6.21 Antenna Switching During CTE Reception (AoA)..... 2852
- 4.6.22 Receiving Constant Tone Extensions 2852
- 4.6.23 Periodic Advertising Sync Transfer - Sender 2852
- 4.6.24 Periodic Advertising Sync Transfer - Recipient..... 2852
- 4.6.25 Sleep Clock Accuracy Updates..... 2852
- 4.6.26 Remote Public Key Validation..... 2853
- 4.6.27 Connected Isochronous Stream - Central and Connected Isochronous Stream - Peripheral 2853
- 4.6.28 Isochronous Broadcaster 2853
- 4.6.29 Synchronized Receiver..... 2854
- 4.6.30 [This section is no longer used] 2854
- 4.6.31 LE Power Control Request 2854
- 4.6.32 LE Path Loss Monitoring..... 2854
- 4.6.33 Host-set feature bits..... 2854
 - 4.6.33.1 Connected Isochronous Stream (Host Support) 2854
 - 4.6.33.2 Connection Subrating (Host Support) 2855
 - 4.6.33.3 Advertising Coding Selection (Host Support) 2855



- 4.6.34 Periodic Advertising ADI Support 2855
- 4.6.35 Connection Subrating 2855
- 4.6.36 Channel Classification 2856
- 4.6.37 Advertising Coding Selection 2856
- 4.6.38 Periodic Advertising with Responses - Advertiser 2856
- 4.6.39 Periodic Advertising with Responses - Scanner 2856
- 4.7 Resolving List 2857
- 5 Link Layer control..... 2859**
- 5.1 Link Layer ACL control procedures..... 2859
- 5.1.1 Connection Update procedure 2859
- 5.1.2 Channel Map Update procedure 2862
- 5.1.3 Encryption procedure 2863
- 5.1.3.1 Encryption Start procedure 2863
- 5.1.3.2 Encryption Pause procedure 2866
- 5.1.4 Feature Exchange procedure 2867
- 5.1.4.1 Central-initiated Feature Exchange procedure...
2867
- 5.1.4.2 Peripheral-initiated Feature Exchange
procedure 2868
- 5.1.5 Version Exchange procedure..... 2868
- 5.1.6 ACL Termination procedure 2869
- 5.1.7 Connection Parameters Request procedure..... 2869
- 5.1.7.1 Issuing an LL_CONNECTION_PARAM_REQ
PDU 2869
- 5.1.7.2 Responding to
LL_CONNECTION_PARAM_REQ and
LL_CONNECTION_PARAM_RSP PDUs ... 2871
- 5.1.7.3 Examples..... 2873
- 5.1.7.4 Packet transmit time restrictions 2879
- 5.1.8 LE Ping procedure 2880
- 5.1.9 Data Length Update procedure..... 2880
- 5.1.10 PHY Update procedure 2881
- 5.1.10.1 Packet transmit restrictions 2883
- 5.1.11 Minimum Number Of Used Channels procedure 2885
- 5.1.12 Constant Tone Extension Request procedure 2885
- 5.1.13 Periodic Advertising Sync Transfer procedure 2886
- 5.1.13.1 Timing considerations..... 2886
- 5.1.14 Sleep Clock Accuracy Update procedure 2889
- 5.1.15 Connected Isochronous Stream Creation procedure 2890
- 5.1.16 Connected Isochronous Stream Termination procedure...
2891



- 5.1.17 Power Control Request procedure..... 2892
 - 5.1.17.1 Acceptable power reduction 2893
- 5.1.18 Power Change Indication procedure..... 2894
- 5.1.19 Connection Subrate Update procedure 2895
- 5.1.20 Connection Subrate Request procedure..... 2896
- 5.1.21 Channel Classification Enable procedure 2897
- 5.1.22 Channel Classification Reporting procedure..... 2898
- 5.2 Procedure response timeout 2898
- 5.3 Procedure collisions 2899
- 5.4 LE Authenticated Payload Timeout..... 2899
- 5.5 Procedures with Instants 2900
 - 5.5.1 ACL control procedures 2901
 - 5.5.2 BIG control procedures 2901
- 5.6 BIG control procedures..... 2901
 - 5.6.1 BIG Channel Map Update procedure..... 2901
 - 5.6.2 BIG Termination procedure 2902
- 6 Privacy 2903**
 - 6.1 Resolvable Private address generation interval 2903
 - 6.2 Privacy in the Advertising state..... 2903
 - 6.2.1 Connectable and scannable undirected event type .. 2903
 - 6.2.2 Connectable directed event type 2904
 - 6.2.3 Non-connectable and non-scannable undirected and scannable undirected event types 2905
 - 6.2.4 Connectable undirected event type 2906
 - 6.2.5 Non-connectable and non-scannable directed and scannable directed event types 2906
 - 6.3 Privacy in the Scanning state 2907
 - 6.4 Privacy in the Initiating state..... 2908
 - 6.5 Privacy of the device 2909
 - 6.6 Privacy in the Synchronization State 2909
 - 6.6.1 Periodic advertising trains..... 2909
- 7 ISO Test Mode 2910**
 - 7.1 ISO Transmit test mode 2910
 - 7.2 ISO Receive test mode..... 2911
- 8 References 2913**



1 GENERAL DESCRIPTION

1.1 LINK LAYER STATES

The operation of the Link Layer can be described in terms of a state machine with the following states:

- Standby State
- Advertising State
- Scanning State
- Initiating State
- Connection State
- Synchronization State
- Isochronous Broadcasting State

The Link Layer state machine allows only one state to be active at a time. The Link Layer shall have at least one Link Layer state machine that supports one of Advertising state or Scanning state. The Link Layer may have multiple instances of the Link Layer state machine.

The Link Layer in the Standby state does not transmit or receive any packets. The Standby state can be entered from any other state.

The Link Layer in the Advertising state will be transmitting advertising physical channel packets and possibly listening to and responding to responses triggered by these advertising physical channel packets. A device in the Advertising state is known as an advertiser. The Advertising state can be entered from the Standby state.

The Link Layer in the Scanning state will be listening for advertising physical channel packets from devices that are advertising. A device in the Scanning state is known as a scanner. The Scanning state can be entered from the Standby state.

The Link Layer in the Initiating state will be listening for advertising physical channel packets from a specific device(s) and responding to these packets to initiate a connection with another device. A device in the Initiating state is known as an initiator. The Initiating state can be entered from the Standby state.

The Connection state can be entered either from the Initiating state or the Advertising state. A device in the Connection state is known as being in a connection.



Within the Connection state, two roles are defined:

- Central Role
- Peripheral Role

When entered from the Initiating state, the Connection state shall be in the Central Role. When entered from the Advertising state, the Connection state shall be in the Peripheral Role.

The Link Layer in the Central Role will communicate with a device in the Peripheral Role and defines the timings of transmissions.

The Link Layer in the Peripheral Role will communicate with a single device in the Central Role.

The Link Layer in the Synchronization State will be listening for periodic physical channel packets forming a specific periodic advertising train, coming from a specified device that is transmitting periodic advertising. The Synchronization State can be entered from the Standby State. While in this State, the Host may direct the Link Layer to listen for isochronous data packets coming from a specified device that is transmitting a Broadcast Isochronous Group (BIG). A device that is in the Synchronization State and is receiving isochronous data packets is referred as a Synchronized Receiver.

The Link Layer in the Isochronous Broadcasting State will transmit isochronous data packets on an isochronous physical channel. The Isochronous Broadcasting State can be entered from the Standby State. A device that is in the Isochronous Broadcasting State is referred as an Isochronous Broadcaster.

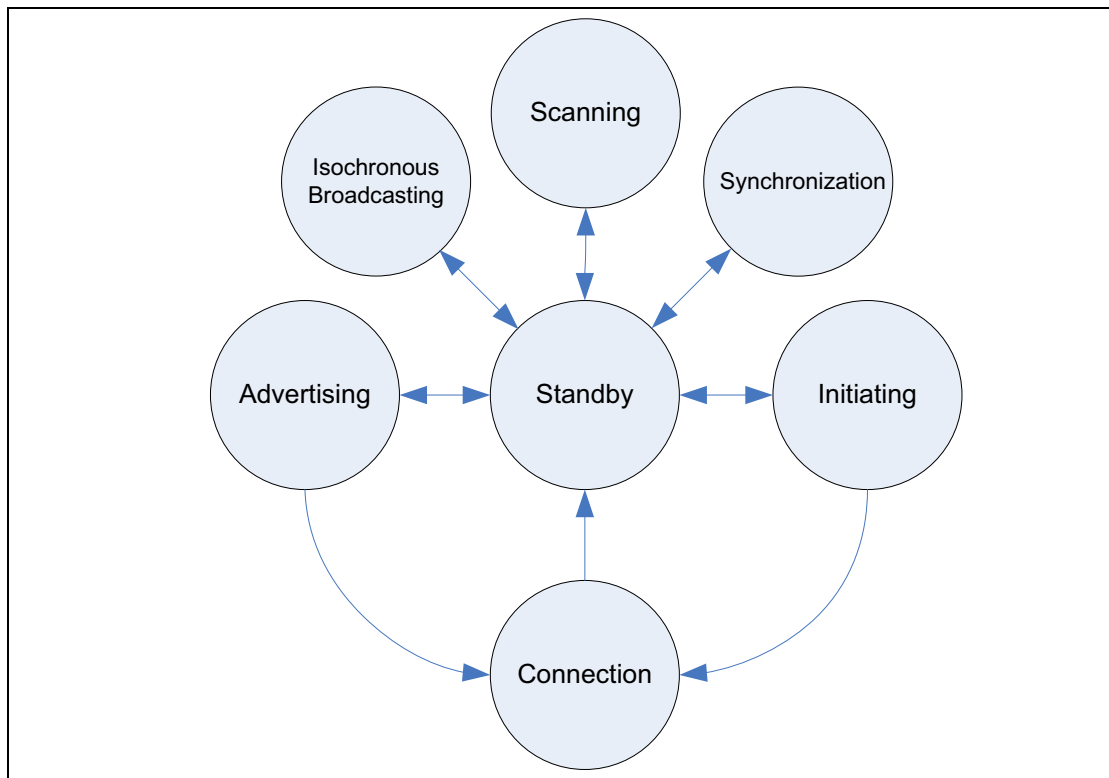


Figure 1.1: State diagram of the Link Layer state machine

1.1.1 Permitted state and role combinations

The Link Layer may optionally support multiple state machines. If it does support multiple state machines, then any combination of states and roles may be supported. In particular, the Link Layer may be in the Connection State multiple times with any mix of Central Role and Peripheral Role. However, any two devices shall not have more than one connection between them.

Note: A device supporting scanning for periodic advertising (see [Section 4.4.3.4](#)) must support at least two state machines.

A Link Layer implementation is not required to support all the possible state combinations that are allowed by the specification. However, if it supports a state or state combination given in the "combination A" column of [Table 1.1](#), it shall also support the corresponding state or state combination in the "combination B" column.

Combination A	Combination B
Initiating plus any combination C of other states	Connection (Central role) plus the same combination C
Connection (Central role) plus Initiating plus any combination C of other states	Connection (Central role) to more than one device in the Peripheral role plus the same combination C

Table 1.1: Requirements on supported states and state combinations



Combination A	Combination B
A connectable Advertising state plus any combination C of other states	Connection (Peripheral role) plus the same combination C
Connection (Peripheral role) plus a connectable Advertising state plus any combination C of other states	Connection (Peripheral role) to more than one device in the Central role plus the same combination C

Table 1.1: Requirements on supported states and state combinations

In each case, the combination of other states C may be empty. In the last two rows, "other states" includes other connectable Advertising states.

1.1.2 Devices supporting only some states

Devices supporting only some Link Layer states or only one of the two roles within the Connection state are not required to support features (including supporting particular PDUs, procedures, data lengths, or HCI commands or particular features of an HCI command) that are only used by a state or mode that the device does not support.

1.2 BIT ORDERING

The bit ordering when defining fields within the packet or Protocol Data Unit (PDU) in the Link Layer specification follows the little-endian format. The following rules apply:

- The Least Significant Bit (LSB) corresponds to b_0
- The LSB is the first bit sent over the air
- In illustrations, the LSB is shown on the left side

Furthermore, data fields defined in the Link Layer, such as the PDU header fields, shall be transmitted with the LSB first. For instance, a 3-bit parameter $X=3$ is sent as:

$$b_0b_1b_2 = 110$$

Over the air, 1 is sent first, 1 is sent next, and 0 is sent last. This is shown as 110 in the specification.

Binary field values specified in the specification that follow the format 0b10101010 (e.g., the advertising physical channel Access Address in [Section 2.1.2](#)) are written with the MSB to the left.

Multi-octet fields, with the exception of the Cyclic Redundancy Check (CRC) and the Message Integrity Check (MIC), shall be transmitted with the least significant octet first. Each octet within multi-octet fields, with the exception of the CRC (see [Section 3.1.1](#)), shall be transmitted in LSB first order. For example, the 48-bit addresses in the advertising physical channel PDUs shall



be transmitted with the least significant octet first, followed by the remainder of the five octets in increasing order.

Multi-octet field values specified in the specification (e.g. the CRC initial value in [Section 2.3.3.1](#)) are written with the most significant octet to the left; for example in 0x112233445566, the octet 0x11 is the most significant octet.

Where a packet or PDU is shown in a figure as containing more than one field, the fields shall be transmitted in the order shown in the figure, leftmost first.

1.3 DEVICE ADDRESS

Devices are identified using a device address and an address type; the address type indicates either a public device address or a random device address. A public device address and a random device address are both 48 bits in length.

A device shall use at least one type of device address and may use both. The device may be addressed by any device address that it uses.

A device's Identity Address is a Public Device Address or Random Static Device Address that it uses in packets it transmits. If a device is using Resolvable Private Addresses, it shall also have an Identity Address.

Whenever two device addresses are compared, the comparison shall include the device address type (i.e. if the two addresses have different types, they are different even if the two 48-bit addresses are the same).

1.3.1 Public device address

The public device address shall be created in accordance with [\[Vol 2\] Part B, Section 1.2](#), with the exception that the restriction on LAP values does not apply unless the public device address will also be used as a BD_ADDR for a BR/EDR Controller.

1.3.2 Random device address

The random device address may be of either of the following:

- Static address
- Private address.



The specific sub-type is indicated by the two most significant bits of the random device address as shown in [Table 1.2](#).

Address [47:46]	Sub-Type
0b00	Non-resolvable private address
0b01	Resolvable private address
0b10	Reserved for future use
0b11	Static device address

Table 1.2: Sub-types of random device addresses

The term random device address refers to both static and private address types.

The transmission of a random device address is optional. A device shall accept the reception of a random device address from a remote device.

1.3.2.1 Static device address

A static address is a 48-bit randomly generated address and shall meet the following requirements:

- At least one bit of the random part of the address shall be 0
- At least one bit of the random part of the address shall be 1

The format of a static address is shown in [Figure 1.2](#).

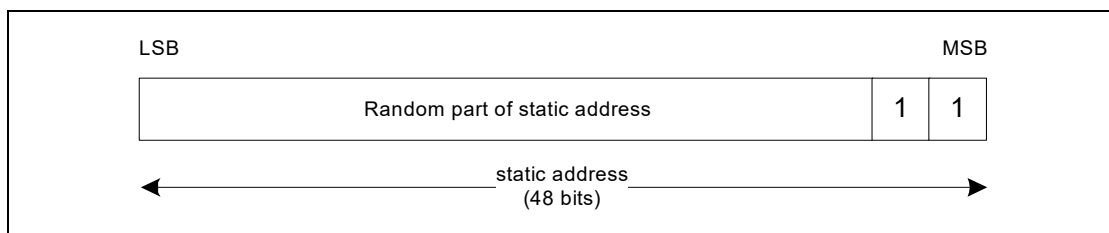


Figure 1.2: Format of static address

A device may choose to initialize its static address to a new value after each power cycle. A device shall not change its static address value once initialized until the device is power cycled.

Note: If the static address of a device is changed, then the address stored in peer devices will not be valid and the ability to reconnect using the old address will be lost.



1.3.2.2 Private device address generation

The private address may be of either of the following two sub-types:

- Non-resolvable private address
- Resolvable private address

To generate a non-resolvable address, the device shall generate a 48-bit address with the following requirements:

- At least one bit of the random part of the address shall be 1
- At least one bit of the random part of the address shall be 0
- The address shall not be equal to the public address

The format of a non-resolvable private address is shown in [Figure 1.3](#).

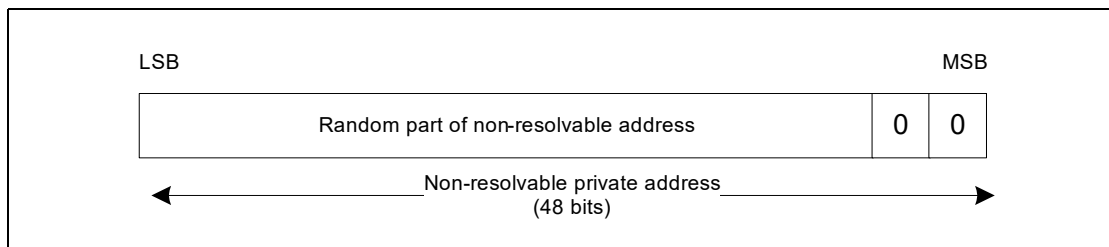


Figure 1.3: Format of non-resolvable private address

To generate a resolvable private address, the device must have either the Local Identity Resolving Key (IRK) or the Peer Identity Resolving Key (IRK). The resolvable private address shall be generated with the IRK and a randomly generated 24-bit number. The random number is known as *prand* and shall meet the following requirements:

- At least one bit of the random part of *prand* shall be 0
- At least one bit of the random part of *prand* shall be 1

The format of the resolvable private address is shown in [Figure 1.4](#).

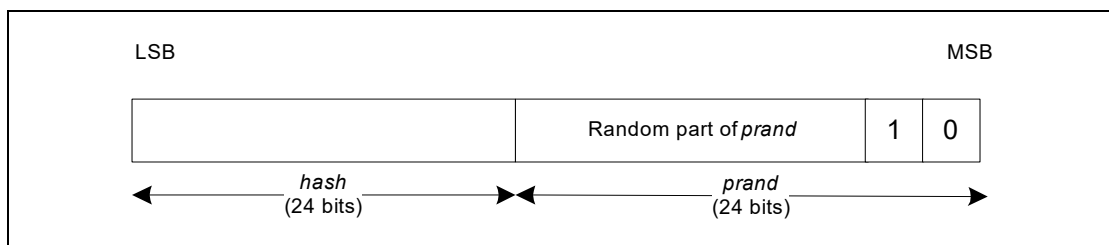


Figure 1.4: Format of resolvable private address



The hash is generated using the random address function ah defined in [Vol 3] Part H, Section 2.2.2 with the input parameter k set to the device's IRK and the input parameter r set to $prand$.

$$hash = ah(IRK, prand)$$

The $prand$ and hash are concatenated to generate the random address ($randomAddress$) in the following manner:

$$randomAddress = prand || hash$$

The least significant octet of $hash$ becomes the least significant octet of $randomAddress$ and the most significant octet of $prand$ becomes the most significant octet of $randomAddress$.

1.3.2.3 Private device address resolution

A resolvable private address may be resolved if the corresponding device's IRK is available using this procedure. If a resolvable private address is resolved, the device can associate this address with the peer device.

The resolvable private address (RPA) is divided into a 24-bit random part ($prand$) and a 24-bit hash part ($hash$). The least significant octet of the RPA becomes the least significant octet of $hash$ and the most significant octet of RPA becomes the most significant octet of $prand$. A $localHash$ value is then generated using the random address hash function ah defined in [Vol 3] Part H, Section 2.2.2 with the input parameter k set to IRK of the known device and the input parameter r set to the $prand$ value extracted from the RPA .

$$localHash = ah(IRK, prand)$$

The $localHash$ value is then compared with the $hash$ value extracted from RPA . If the $localHash$ value matches the extracted $hash$ value, then the identity of the peer device has been resolved.

If a device has more than one stored IRK, the device repeats the above procedure for each stored IRK to determine if the received resolvable private address is associated with a stored IRK, until either address resolution is successful for one of the IRKs or all have been tried.

Note: A device that cannot resolve a private address within T_IFS may respond on the reception of the next event.

A non-resolvable private address cannot be resolved.

1.4 PHYSICAL CHANNEL

As specified in [Vol 6] Part A, Section 2, 40 RF channels are defined in the 2.4 GHz ISM band. These RF channels are divided into 3 RF channels known as the "primary advertising channels", used for initial advertising and all legacy advertising activities, and 37 RF channels known as the "general-purpose



channels", used for the majority of communications. Each of these RF channels is allocated a unique channel index (see [Section 1.4.1](#)).

These two groups of RF channels are used in four LE physical channels: advertising, periodic, isochronous, and data. The advertising physical channel uses both groups for discovering devices, initiating a connection, and broadcasting data; within this, the primary advertising channels form the primary advertising physical channel and the general-purpose channels form the secondary advertising physical channel. The remaining physical channels only use the general-purpose channels.

Two devices that wish to communicate use a shared physical channel. To achieve this, their transceivers must be tuned to the same RF channel at the same time.

Given that the number of RF channels is limited, and that many Bluetooth devices may be operating independently within the same spatial and temporal area, there is a strong likelihood of two independent Bluetooth devices having their transceivers tuned to the same RF channel, resulting in a physical channel collision. To mitigate the unwanted effects of this collision, each transmission on a physical channel starts with an Access Address that is used as a correlation code by devices tuned to the physical channel. This Access Address is a property of the physical channel. The Access Address is present at the start of every transmitted packet.

The Link Layer uses one physical channel at a given time.

Whenever the Link Layer is synchronized to the timing, frequency, and Access Address of a physical channel, it is said to be 'connected' on the data physical channel or 'synchronized' to the periodic physical channel or isochronous physical channel (whether or not it is actively involved in communications over the channel).

1.4.1 Physical channel indices

[Table 1.3](#) shows the mapping from RF Channel to Physical Channel Index and RF Channel group. A '●' in [Table 1.3](#) indicates the RF channel and index are part of the specified channel group; a blank cell indicates that they are not part of that group.

RF Channel (Center Frequency)	Physical Channel Index	RF Channel Group	
		Primary Advertising	General purpose
2402 MHz	37	●	
2404 MHz	0		●

Table 1.3: Mapping of RF channel to physical channel index and RF channel group



RF Channel (Center Frequency)	Physical Channel Index	RF Channel Group	
		Primary Advertising	General purpose
2406 MHz	1		●
...
2424 MHz	10		●
2426 MHz	38	●	
2428 MHz	11		●
2430 MHz	12		●
...
2478 MHz	36		●
2480 MHz	39	●	

Table 1.3: Mapping of RF channel to physical channel index and RF channel group



2 AIR INTERFACE PACKETS

LE devices shall use the packets as defined in the following sections. There are two basic formats: one for the LE Uncoded PHYs, described in [Section 2.1](#), and one for the LE Coded PHY, described in [Section 2.2](#).

2.1 PACKET FORMAT FOR THE LE UNCODED PHYs

The following packet format is defined for the LE Uncoded PHYs (LE 1M and LE 2M) and is used for packets on all physical channels.

This packet format is shown in [Figure 2.1](#). Each packet consists of four mandatory fields and one optional field. The mandatory fields are Preamble, Access Address, PDU, and CRC. The optional field is Constant Tone Extension.

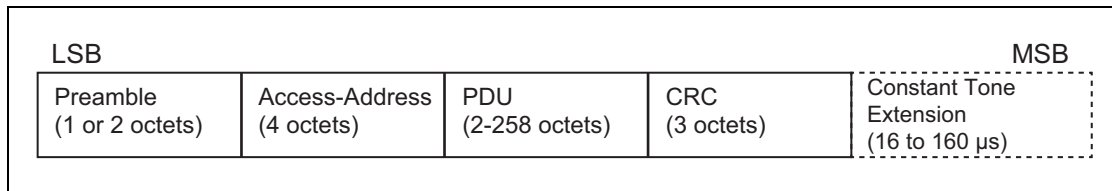


Figure 2.1: Link Layer packet format for the LE Uncoded PHYs

The preamble is 1 octet when transmitting or receiving on the LE 1M PHY and 2 octets when transmitting or receiving on the LE 2M PHY. The Access Address is 4 octets. The PDU range is from 2 to 258 octets. The CRC is 3 octets.

The Preamble is transmitted first, followed by the Access Address, PDU, CRC, and Constant Tone Extension (if present) in that order. The entire packet is transmitted at the same symbol rate (either 1 Msym/s or 2 Msym/s modulation).

Packets (not including the Constant Tone Extension) take between 44 and 2128 μs to transmit.

When the Constant Tone Extension is present, the Constant Tone Extension duration is between 16 and 160 μs, as shown in [Figure 2.1](#).

2.1.1 Preamble

All Link Layer packets have a preamble which is used in the receiver to perform frequency synchronization, symbol timing estimation, and Automatic Gain Control (AGC) training. The preamble is a fixed sequence of alternating 0 and 1 bits. For packets transmitted on the LE 1M PHY, the preamble is 8 bits; for packets transmitted on the LE 2M PHY, the preamble is 16 bits. The first bit of



the preamble (in transmission order) shall be the same as the LSB of the Access Address. The preamble is shown in [Figure 2.2](#).

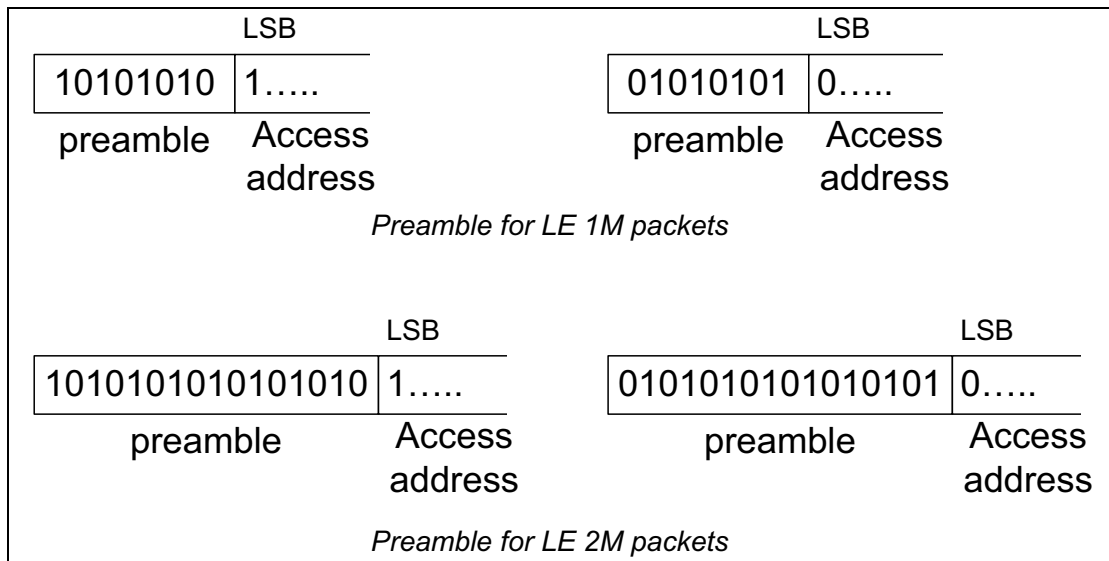


Figure 2.2: Preamble

2.1.2 Access Address

All AUX_SYNC_IND, AUX_CHAIN_IND, AUX_SYNC_SUBEVENT_IND, AUX_CONNECT_REQ, and AUX_CONNECT_RSP PDUs sent on a periodic advertising train shall use the Access Address (AA) value set in the SyncInfo field (see [Section 2.3.4.6](#)) contained in the AUX_ADV_IND PDU that describes the train. All AUX_SYNC_SUBEVENT_RSP PDUs sent on a periodic advertising with responses train shall use the Access Address value set in the Periodic Advertising Response Timing Information (see Section 1.24 of [1]) contained in the AUX_ADV_IND PDU that describes the train. For a given periodic advertising with responses train, the AA value of the AUX_SYNC_SUBEVENT_RSP PDUs shall be different from the AA value of the AUX_SYNC_SUBEVENT_IND PDUs.

The Access Address for all other advertising physical channel packets shall be 0b10001110_10001001_10111110_11010110 (0x8E89BED6).

It is intended that each Link Layer connection between any two devices, each BIS, and each periodic advertising train has a different Access Address.

The Link Layer in the Initiating state shall generate a new Access Address for each initiating PDU it sends (see [Section 2.3.3.1](#)). The Link Layer in the Advertising state shall generate a new Access Address each time that it enables a periodic advertising train and, for periodic advertising with responses, a second Access Address for the responses. The first address is sent in the SyncInfo field (see [Section 2.3.4.6](#)) of PDUs referring to that periodic advertising train and the second in the Periodic Advertising Response Timing Information (see Section 1.24 of [1]) for the train.



The Link Layer in the Central Role in the Connected State shall generate a new Access Address for each Connected Isochronous Stream (CIS) it creates. The address is sent in the Link Layer Control PDU that is used to create the CIS (see [Section 2.4.2.31](#)).

The Access Address shall be a 32-bit value. Each time it needs a new Access Address (except for a Broadcast Isochronous Stream (BIS)), the Link Layer shall generate a new random value.

Each Access Address shall meet the following requirements:

- It shall not be the Access Address for any existing ACL connection or CIS on this device.
- It shall not be the Access Address for any enabled periodic advertising train.
- It shall not be the Access Address for any existing BIS on this device.
- It shall not be the Access Address for any existing BIG Control logical link on this device.
- If it is the Access Address for a new CIS, it shall differ by more than one bit from any other Access Address being used on the same device.
- It shall have no more than six consecutive zeros or ones.
- It shall not be the advertising physical channel packets' Access Address.
- It shall not be a sequence that differs from the advertising physical channel packets' Access Address by only one bit.
- It shall not have all four octets equal.
- It shall have no more than 24 transitions.
- It shall have a minimum of two transitions in the most significant six bits.

The Link Layer in the Isochronous Broadcasting State shall generate a new Seed Access Address (SAA) for each BIG. The Access Addresses for the constituent BIS(es) are derived from the SAA. The SAA shall be a random number that meets the following requirements:

$$\begin{aligned}SAA_{19} &= SAA_{15} \\SAA_{22} &= SAA_{16} \neq SAA_{15} \\SAA_{25} &= 0 \\SAA_{23} &= 1\end{aligned}$$

For any pair of BIGs transmitted by the same device, the SAA_{15-0} values shall differ in at least two bits.

The Access Address for each BIS and for the BIG Control logical link (see [Section 4.4.6.7](#)) in a BIG shall be derived from the SAA for that BIG.



For each BIS logical transport, the Access Address shall be equal to the SAA bit-wise XORed with a diversifier word (DW) for that logical transport derived from a Diversifier (D) as follows:

$$D = ((35 * n) + 42) \text{ mod } 128 \text{ where } n \text{ is the BIS number, or } 0 \text{ for the BIG Control logical link}$$

$$DW =$$

$$0bD_0D_0D_0D_0D_0D_0D_0D_1D_6_D_10D_5D_40D_3D_20_00000000_00000000$$

For example, if $n=1$, $D=77=0b01001101$ and $DW = 0xFD060000$.

The seed for the random number generator shall be from a physical source of entropy and should have at least 20 bits of entropy.

If the random number and, in the case of an SAA, the derived Access Addresses for the BIS and the BIG Control logical link do not meet the above requirements, new random numbers shall be generated until the requirements are met.

On an implementation that also supports the LE Coded PHY (see [Section 2.2](#)), the Access Address shall also meet the following requirements:

- It shall have at least three ones in the least significant 8 bits.
- It shall have no more than eleven transitions in the least significant 16 bits.

2.1.3 PDU

The preamble and Access Address are followed by a PDU. When a packet is transmitted on either the primary or secondary advertising physical channel or the periodic physical channel, the PDU shall be the Advertising Physical Channel PDU as defined in [Section 2.3](#). When a packet is transmitted on the data physical channel, the PDU shall be the Data Physical Channel PDU as defined in [Section 2.4](#). When a packet is transmitted on the isochronous physical channel, the PDU shall be one of the Isochronous Physical Channel PDUs as defined in [Section 2.6](#).

2.1.4 CRC

The PDU is followed by a 24-bit CRC. It shall be calculated over the PDU. The CRC polynomial is defined in [Section 3.1.1](#).

2.1.5 Constant Tone Extension

The CRC is followed by an optional Constant Tone Extension, which consists of a constantly modulated series of unwhitened 1s. The Constant Tone Extension is not included in CRC or MIC calculations. The Constant Tone Extension field shall not be present in a packet sent on the isochronous physical channel. The Constant Tone Extension is discussed further in [Section 2.5](#).



2.2 PACKET FORMAT FOR THE LE CODED PHY

The following packet format is defined for the LE Coded PHY and is used for packets on all physical channels. This packet format is shown in [Figure 2.3](#).

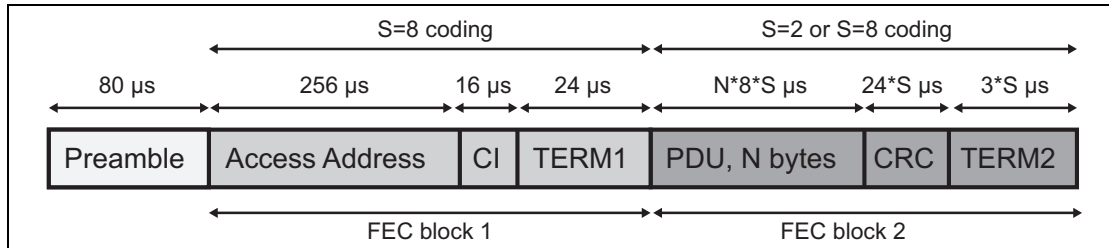


Figure 2.3: Link Layer packet format for the LE Coded PHY

Each packet consists of the Preamble, FEC block 1, and FEC block 2.

The Preamble is not coded.

The FEC block 1 consists of three fields: Access Address, Coding Indicator (CI), and TERM1. These shall use the S=8 coding scheme as defined in [Section 3.3.1](#).

The CI determines which coding scheme is used for FEC block 2.

The FEC block 2 consists of three fields: PDU, CRC, and TERM2. These shall use either the S=2 or S=8 coding scheme as defined in [Section 3.3](#), depending on the value of the CI.

The entire packet is transmitted with 1 Msym/s modulation.

[Table 2.1](#) captures the size and duration of the data packet fields.

	Fields						
	Preamble	Access Address	CI	TERM1	PDU	CRC	TERM2
Number of Bits	Uncoded	32	2	3	16 – 2056	24	3
Duration when using S=8 coding (μs)	80	256	16	24	128 – 16448	192	24
Duration when using S=2 coding (μs)	80	256	16	24	32 – 4112	48	6

Table 2.1: LE Coded PHY field sizes and durations in microseconds

Packets take between 462 and 17040 μs to transmit.

Note: There is no Constant Tone Extension on the LE Coded PHY.



2.2.1 Preamble

The Preamble is 80 symbols in length and consists of 10 repetitions of the symbol pattern '00111100' (in transmission order).

2.2.2 Access Address

The Access Address is specified in [Section 2.1.2](#).

2.2.3 Coding Indicator

The Coding Indicator (CI) consists of two bits as defined in [Table 2.2](#).

CI	Meaning
0b00	FEC Block 2 coded using S=8
0b01	FEC Block 2 coded using S=2
All other values	Reserved for future use

Table 2.2: Meaning of CI

2.2.4 PDU

When a packet is transmitted on either the primary or secondary advertising physical channel or the periodic physical channel, the PDU shall be the Advertising Physical Channel PDU as defined in [Section 2.3](#). When a packet is transmitted on the data physical channel, the PDU shall be the Data Physical Channel PDU as defined in [Section 2.4](#). When a packet is transmitted on the isochronous physical channel, the PDU shall be one of the Isochronous Physical Channel PDUs as defined in [Section 2.6](#).

2.2.5 CRC

The CRC is 24 bits in length and the value is calculated over all the PDU bits. The CRC generator polynomial is defined in [Section 3.1.1](#).

2.2.6 TERM1 and TERM2

There is a terminator at the end of each FEC block referred to as TERM1 and TERM2. Each terminator is 3 bits long and forms the termination sequence defined in [Section 3.3.1](#).

2.3 ADVERTISING PHYSICAL CHANNEL PDU

Note: Despite the name, the advertising physical channel PDU is also used on the periodic physical channel.



The advertising physical channel PDU has a 16-bit header and a variable size payload. Its format is as shown in Figure 2.4. The 16-bit Header field of the advertising physical channel PDU is as shown in Figure 2.5.

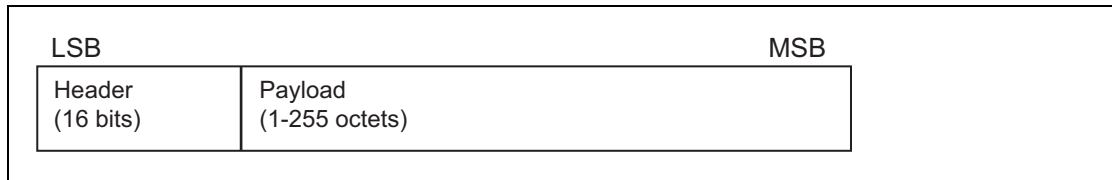


Figure 2.4: Advertising physical channel PDU

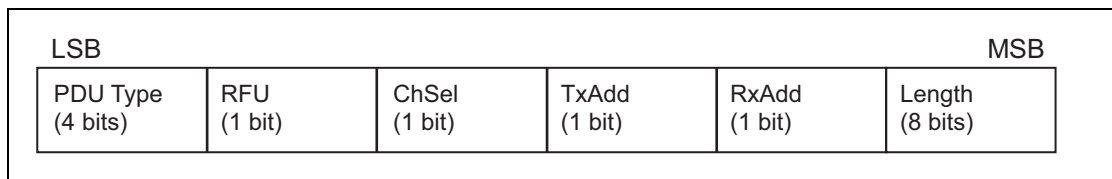


Figure 2.5: Advertising physical channel PDU header

The PDU Type field of the advertising physical channel PDU that is contained in the header indicates the PDU type as defined in Table 2.3, which also shows which channel and which PHYs the packet may appear on. A ‘•’ in Table 2.3 indicates that the PDU may appear on that PHY; a blank cell indicates that the PDU shall not appear on that PHY.

PDU Type	PDU Name	Physical Channel	Permitted PHYs		
			LE 1M	LE 2M	LE Coded
0b0000	ADV_IND	Primary Advertising	•		
0b0001	ADV_DIRECT_IND	Primary Advertising	•		
0b0010	ADV_NONCONN_IND	Primary Advertising	•		
0b0011	SCAN_REQ	Primary Advertising	•		
	AUX_SCAN_REQ	Secondary Advertising	•	•	•
0b0100	SCAN_RSP	Primary Advertising	•		
0b0101	CONNECT_IND	Primary Advertising	•		
	AUX_CONNECT_REQ	Secondary Advertising	•	•	•
0b0110	ADV_SCAN_IND	Primary Advertising	•		

Table 2.3: Advertising physical channel PDU header’s PDU Type field encoding



PDU Type	PDU Name	Physical Channel	Permitted PHYs		
			LE 1M	LE 2M	LE Coded
0b0111	ADV_EXT_IND	Primary Advertising	•		•
	AUX_ADV_IND	Secondary Advertising	•	•	•
	AUX_SCAN_RSP	Secondary Advertising	•	•	•
	AUX_SYNC_IND	Periodic	•	•	•
	AUX_CHAIN_IND	Secondary Advertising and Periodic	•	•	•
	AUX_SYNC_- SUBEVENT_IND	Periodic	•	•	•
	AUX_SYNC_- SUBEVENT_RSP	Periodic	•	•	•
0b1000	AUX_CONNECT_RSP	Secondary Advertising	•	•	•
All other values	Reserved for future use				

Table 2.3: Advertising physical channel PDU header’s PDU Type field encoding

The ChSel, TxAdd and RxAdd fields of the advertising physical channel PDU that are contained in the header contain information specific to the PDU type defined for each advertising physical channel PDU separately. If the ChSel, TxAdd or RxAdd fields are not defined as used in a given PDU then they shall be considered reserved for future use.

The Length field of the advertising physical channel PDU header indicates the length of the payload in octets. The valid range of the Length field shall be 1 to 255 octets.

The Payload fields in the advertising physical channel PDUs are specific to the PDU Type and are defined in Section 2.3.1 to Section 2.3.4. The PDU Types marked as Reserved for Future Use shall not be sent and shall be ignored upon receipt.

Within advertising physical channel PDUs, advertising data or scan response data from the Host may be included in the Payload in some PDU Types. The format of this data is defined in [Vol 3] Part C, Section 11.

Some advertising physical channel PDUs contain an AuxPtr field (see Section 2.3.4.5) which points to a packet containing another advertising physical channel PDU. In this case, the second packet and PDU are the *auxiliary packet* and *auxiliary PDU* of the original PDU, which in turn is the *superior packet* and *superior PDU* of the second one.



Note: A PDU can only have one auxiliary PDU but more than one superior PDU.

Given a packet, its *subordinate set* consists of its auxiliary packet, if any, and the subordinate set of the auxiliary packet. A packet without an AuxPtr field has an empty subordinate set.

2.3.1 Advertising PDUs

The following advertising physical channel PDU Types are called advertising PDUs:

- ADV_IND
- ADV_DIRECT_IND
- ADV_NONCONN_IND
- ADV_SCAN_IND
- ADV_EXT_IND
- AUX_ADV_IND
- AUX_SYNC_IND
- AUX_CHAIN_IND
- AUX_SYNC_SUBEVENT_IND
- AUX_SYNC_SUBEVENT_RSP

These PDUs are sent by the Link Layer in the Advertising state and received by a Link Layer in the Scanning state or Initiating state. The ADV_IND, ADV_DIRECT_IND, ADV_NONCONN_IND, and ADV_SCAN_IND PDUs are called “legacy advertising PDUs”. The ADV_EXT_IND, AUX_ADV_IND, AUX_SYNC_IND, AUX_CHAIN_IND, AUX_SYNC_SUBEVENT_IND, and AUX_SYNC_SUBEVENT_RSP PDUs are called “extended advertising PDUs”. Advertising events using legacy advertising PDUs are called “legacy advertising events”.

2.3.1.1 ADV_IND

The Payload field of the ADV_IND PDU is shown in [Figure 2.6](#). The PDU shall be used in connectable and scannable undirected advertising events. The TxAdd in the advertising physical channel PDU header indicates whether the advertiser’s address in the AdvA field is public (TxAdd = 0) or random (TxAdd = 1). The ChSel field in the advertising physical channel PDU header shall be set



to 1 if the advertiser supports the LE Channel Selection Algorithm #2 feature (see [Section 4.5.8.3](#)).

Payload	
AdvA (6 octets)	AdvData (0-31 octets)

Figure 2.6: ADV_IND PDU payload

The Payload consists of AdvA and AdvData fields. The AdvA field shall contain the advertiser’s public or random device address as indicated by TxAdd. The AdvData field, if not empty, shall contain Advertising Data from the advertiser’s Host.

2.3.1.2 ADV_DIRECT_IND

The Payload field of the ADV_DIRECT_IND PDU is shown in [Figure 2.7](#). The PDU shall only be used in connectable directed advertising events. The TxAdd in the advertising physical channel PDU header indicates whether the advertiser’s address in the AdvA field is public (TxAdd = 0) or random (TxAdd = 1). The RxAdd in the advertising physical channel PDU header indicates whether the target’s address in the TargetA field is public (RxAdd = 0) or random (RxAdd = 1). The ChSel field in the advertising physical channel PDU header shall be set to 1 if the advertiser supports the LE Channel Selection Algorithm #2 feature (see [Section 4.5.8.3](#)).

Payload	
AdvA (6 octets)	TargetA (6 octets)

Figure 2.7: ADV_DIRECT_IND PDU Payload

The Payload consists of AdvA and TargetA fields. The AdvA field shall contain the advertiser’s public or random device address as indicated by TxAdd. The TargetA field is the address of the device to which this PDU is addressed. The TargetA field shall contain the target’s public or random device address as indicated by RxAdd.

Note: This packet does not contain any Host data.

2.3.1.3 ADV_NONCONN_IND

The Payload field of the ADV_NONCONN_IND PDU is shown in [Figure 2.8](#). The PDU shall only be used in non-connectable and non-scannable undirected advertising events. The TxAdd in the advertising physical channel PDU header



indicates whether the advertiser’s address in the AdvA field is public (TxAdd = 0) or random (TxAdd = 1).

Payload	
AdvA (6 octets)	AdvData (0-31 octets)

Figure 2.8: ADV_NONCONN_IND PDU Payload

The Payload consists of AdvA and AdvData fields. The AdvA field shall contain the advertiser’s public or random device address as indicated by TxAdd. The AdvData field, if not empty, shall contain Advertising Data from the advertiser’s Host.

2.3.1.4 ADV_SCAN_IND

The Payload field of the ADV_SCAN_IND PDU is shown in Figure 2.9. The PDU shall only be used in scannable undirected advertising events. The TxAdd in the advertising physical channel PDU header indicates whether the advertiser’s address in the AdvA field is public (TxAdd = 0) or random (TxAdd = 1).

Payload	
AdvA (6 octets)	AdvData (0-31 octets)

Figure 2.9: ADV_SCAN_IND PDU Payload

The Payload consists of AdvA and AdvData fields. The AdvA field shall contain the advertiser’s public or random device address as indicated by TxAdd. The AdvData field, if not empty, shall contain Advertising Data from the advertiser’s Host.

2.3.1.5 ADV_EXT_IND

The ADV_EXT_IND PDU uses the Common Extended Advertising Payload Format described in Section 2.3.4. The PDU may be used in the advertising events indicated by the AdvMode field value. An advertising event using an ADV_EXT_IND PDU is directed if, and only if, either the TargetA field is present or the AuxPtr field is present and points to a PDU where the TargetA field is present.



The Common Extended Advertising Payload Format fields permitted in the ADV_EXT_IND PDU are shown in [Table 2.4](#).

		Common Extended Advertising Payload Format fields								
Event Type	Adv Mode	AdvA	TargetA	CTE Info	ADI	Aux Ptr	Sync Info	Tx Power	ACAD	Adv Data
Non-Connectable and Non-Scannable Undirected without auxiliary packet	0b00	M	X	X	X	X	X	O	X	X
Non-Connectable and Non-Scannable Undirected with auxiliary packet	0b00	C.1	X	X	M	M	X	C.1	X	X
Non-Connectable and Non-Scannable Directed without auxiliary packet	0b00	M	M	X	X	X	X	O	X	X
Non-Connectable and Non-Scannable Directed with auxiliary packet	0b00	C.1	C.1	X	M	M	X	C.1	X	X
Connectable Undirected	0b01	X	X	X	M	M	X	C.1	X	X
Connectable Directed	0b01	X	X	X	M	M	X	C.1	X	X
Scannable Undirected	0b10	X	X	X	M	M	X	C.1	X	X
Scannable Directed	0b10	X	X	X	M	M	X	C.1	X	X
RFU	0b11									

Table 2.4: Common Extended Advertising Payload Format fields permitted in the ADV_EXT_IND PDU

C.1 This field is optional on the LE 1M PHY and reserved for future use on the LE Coded PHY.

For the non-connectable and non-scannable directed and non-connectable and non-scannable undirected event types without ACAD or AdvData, the Controller can choose whether or not to use an auxiliary packet. See Sections [4.4.2.6](#) and [4.4.2.9](#).

Fields reserved for future use shall not be present when the packet is sent and shall be ignored when received.

Any auxiliary packet shall be an AUX_ADV_IND packet.



2.3.1.6 AUX_ADV_IND

The AUX_ADV_IND PDU uses the Common Extended Advertising Payload Format described in Section 2.3.4. The PDU may be used in the advertising events indicated by the AdvMode field value.

The AdvMode field indicates the type of advertising event the AUX_ADV_IND packet is being used for and shall have the same value as the field in the superior PDU of this PDU.

The Common Extended Advertising Payload Format fields permitted in the AUX_ADV_IND PDU are shown in Table 2.5.

The PHY used for the AUX_ADV_IND shall be specified in the AuxPtr field of the superior PDU. The PHY specified in any AuxPtr field in an AUX_ADV_IND PDU shall be the same as the PHY the PDU was sent on.

The ADI field shall have the same value as the field in the superior PDU of this PDU.

Note: The ADI field can be used to detect collisions.

Any auxiliary PDU shall be an AUX_CHAIN_IND PDU.

The SyncInfo field, when present, shall point to an AUX_SYNC_IND PDU.

		Common Extended Advertising Payload Format fields								
Adv Mode	Event Type	AdvA	TargetA	CTE Info	ADI	Aux Ptr	Sync Info	Tx Power	ACAD	Adv Data
0b00	Non-Connectable and Non-Scannable Undirected	C.1	X	X	M	O	O	O	O	O
0b00	Non-Connectable and Non-Scannable Directed	C.1	C.2	X	M	O	O	O	O	O
0b01	Connectable Undirected	M	X	X	M	X	X	O	O	O
0b01	Connectable Directed	M	M	X	M	X	X	O	O	O
0b10	Scannable Undirected	M	X	X	M	X	X	O	O	X

Table 2.5: Common Extended Advertising Payload Format fields permitted in the AUX_ADV_IND PDU



		Common Extended Advertising Payload Format fields								
Adv Mode	Event Type	AdvA	TargetA	CTE Info	ADI	Aux Ptr	Sync Info	Tx Power	ACAD	Adv Data
0b10	Scannable Directed	M	M	X	M	X	X	O	O	X
0b11	RFU									

Table 2.5: Common Extended Advertising Payload Format fields permitted in the AUX_ADV_IND PDU

- C.1 This field is optional if the corresponding field in the ADV_EXT_IND PDU is not present, otherwise it is reserved for future use.
- C.2 This field is mandatory if the corresponding field in the ADV_EXT_IND PDU is not present, otherwise it is reserved for future use.

2.3.1.7 AUX_SYNC_IND

The AUX_SYNC_IND PDU uses the Common Extended Advertising Payload Format described in Section 2.3.4. The PDU is used in periodic advertising.

The AdvMode field shall be set to 0b00.

The Common Extended Advertising Payload Format fields permitted in the AUX_SYNC_IND PDU are shown in Table 2.6.

The PHY used for the AUX_SYNC_IND PDU shall be that specified in Section 4.4.2.12.

Any auxiliary PDU shall be an AUX_CHAIN_IND PDU.

The Advertising SID subfield of the ADI field shall have the same value as that in the superior PDU of this PDU.

		Common Extended Advertising Payload Format fields								
Adv Mode	Event Type	AdvA	TargetA	CTE Info	ADI	Aux Ptr	Sync Info	Tx Power	ACAD	Adv Data
0b00	Non-Connectable and Non-Scannable Undirected or Directed	X	X	O	O	O	X	O	O	O
0b01 to 0b11	RFU									

Table 2.6: Common Extended Advertising Payload Format fields permitted in the AUX_SYNC_IND PDU



2.3.1.8 AUX_CHAIN_IND

The AUX_CHAIN_IND PDU uses the Common Extended Advertising Payload Format described in Section 2.3.4. The PDU is used to hold additional AdvData. Its superior PDU is an AUX_ADV_IND, AUX_SYNC_IND, AUX_SCAN_RSP or another AUX_CHAIN_IND PDU.

The AdvMode field shall be set to 0b00.

The Common Extended Advertising Payload Format fields permitted in the AUX_CHAIN_IND PDU are shown in Table 2.7.

The PHY used for the AUX_CHAIN_IND PDU shall be the same as the PHY used for its superior PDU.

The ADI field, when present, shall have the same value as the field in the superior PDU.

Note: The ADI field can be used to detect collisions.

Any auxiliary PDU shall be another AUX_CHAIN_IND PDU.

		Common Extended Advertising Payload Format fields								
Adv Mode	Event Type	AdvA	TargetA	CTE Info	ADI	Aux Ptr	Sync Info	Tx Power	ACAD	Adv Data
0b00	Chained data	X	X	C.2	C.1	O	X	O	X	O
0b01 to 0b11	RFU									

Table 2.7: Common Extended Advertising Payload Format fields permitted in the AUX_CHAIN_IND PDU

C.1 This field is mandatory if the corresponding field in the superior PDU of this PDU is present, otherwise it is reserved for future use.

C.2 This field is optional if the corresponding field in the superior PDU of this PDU is present, otherwise it is reserved for future use.

2.3.1.9 AUX_SYNC_SUBEVENT_IND

The AUX_SYNC_SUBEVENT_IND PDU uses the Common Extended Advertising Payload Format described in Section 2.3.4. This PDU is used in PAwR.

The AdvMode field shall be set to 0x00.

The Common Extended Advertising Payload Format fields permitted in the AUX_SYNC_SUBEVENT_IND PDU are shown in Table 2.8.



The PHY used for the AUX_SYNC_SUBEVENT_IND shall be that specified in [Section 4.4.2.12](#).

The Advertising SID subfield of the ADI field shall have the same value as that in the superior PDU of this PDU.

		Common Extended Advertising Payload Format fields								
Adv Mode	Event Type	AdvA	TargetA	CTE Info	ADI	Aux Ptr	Sync Info	Tx Power	ACAD	Adv Data
0b00	Subevent Indication	X	X	O	O	X	X	O	O	O
0b01 to 0b11	RFU									

Table 2.8: Common Extended Advertising Payload Format fields permitted in the AUX_SYNC_SUBEVENT_IND PDU

2.3.1.10 AUX_SYNC_SUBEVENT_RSP

The AUX_SYNC_SUBEVENT_RSP PDU uses the Common Extended Advertising Payload Format described in [Section 2.3.4](#). This PDU is used in PAwR.

The AdvMode field shall be set to 0x00.

The Common Extended Advertising Payload Format fields permitted in the AUX_SYNC_SUBEVENT_RSP PDU are shown in [Table 2.9](#).

The PHY used for the AUX_SYNC_SUBEVENT_RSP shall be that specified in [Section 4.4.2.12](#).

		Common Extended Advertising Payload Format fields								
Adv Mode	Event Type	AdvA	TargetA	CTE Info	ADI	Aux Ptr	Sync Info	Tx Power	ACAD	Adv Data
0b00	Subevent Response	O	X	O	X	X	X	O	O	O
0b01 to 0b11	RFU									

Table 2.9: Common Extended Advertising Payload Format fields permitted in the AUX_SYNC_SUBEVENT_RSP PDU



2.3.2 Scanning PDUs

The following advertising physical channel PDU types are called scanning PDUs.

- SCAN_REQ
- SCAN_RSP
- AUX_SCAN_REQ
- AUX_SCAN_RSP

The SCAN_REQ and AUX_SCAN_REQ PDUs are called scan request PDUs. The SCAN_RSP and AUX_SCAN_RSP PDUs are called scan response PDUs.

Where these PDUs are used to reply to a scannable advertisement, the PHY used for them shall be the same as the PHY used for the PDU that they reply to.

2.3.2.1 SCAN_REQ and AUX_SCAN_REQ

The Payload field of the SCAN_REQ and AUX_SCAN_REQ PDUs is shown in [Figure 2.10](#). The TxAdd in the advertising physical channel PDU header indicates whether the scanner’s address in the ScanA field is public (TxAdd = 0) or random (TxAdd = 1). The RxAdd in the advertising physical channel PDU header indicates whether the advertiser’s address in the AdvA field is public (RxAdd = 0) or random (RxAdd = 1).

Payload	
ScanA (6 octets)	AdvA (6 octets)

Figure 2.10: SCAN_REQ and AUX_SCAN_REQ PDU Payload

The Payload consists of ScanA and AdvA fields. The ScanA field shall contain the scanner’s public or random device address as indicated by TxAdd. The AdvA field is the address of the device to which this PDU is addressed. The AdvA field shall contain the advertiser’s public or random device address as indicated by RxAdd.

Note: These PDUs do not contain any Host Data.



2.3.2.2 SCAN_RSP

The Payload field of the SCAN_RSP PDU is shown in [Figure 2.11](#). The TxAdd in the advertising physical channel PDU header indicates whether the advertiser’s address in the AdvA field is public (TxAdd = 0) or random (TxAdd = 1). The Length field indicates the size of the payload (AdvA and ScanRspData) in octets.

Payload	
AdvA (6 octets)	ScanRspData (0-31 octets)

Figure 2.11: SCAN_RSP PDU Payload

The Payload consists of AdvA and ScanRspData fields. The AdvA field shall contain the advertiser’s public or random device address as indicated by TxAdd. The ScanRspData field may contain any data from the advertiser’s Host.

2.3.2.3 AUX_SCAN_RSP

The AUX_SCAN_RSP PDU uses the Common Extended Advertising Payload Format described in [Section 2.3.4](#).

The AdvMode field shall be set to 0b00.

The Common Extended Advertising Payload Format fields permitted in the AUX_SCAN_RSP PDU are shown in [Table 2.10](#).

The ADI field, if present, shall have the same value as the field in the AUX_ADV_IND PDU that the scanner responded to.

Note: The ADI field can be used to detect collisions.

Any auxiliary PDU shall be an AUX_CHAIN_IND PDU.

		Common Extended Advertising Payload Format fields								
Adv Mode	Event Type	AdvA	TargetA	CTE Info	ADI	Aux Ptr	Sync Info	Tx Power	ACAD	Adv Data
0b00	Scan response	M	X	X	O	O	X	O	O	M
0b01 to 0b11	RFU									

Table 2.10: Common Extended Advertising Payload Format fields permitted in the AUX_SCAN_RSP PDU



2.3.3 Initiating PDUs

The following advertising physical channel PDU Types are called initiating PDUs:

- CONNECT_IND
- AUX_CONNECT_REQ
- AUX_CONNECT_RSP

The CONNECT_IND and the AUX_CONNECT_REQ PDUs are sent by the Link Layer in the Initiating state and received by the Link Layer in the Advertising state. The AUX_CONNECT_RSP PDU is sent by the Link Layer in the Advertising state and received by the Link Layer in the Initiating state.

The PHY used for these PDUs shall be the same as the PHY used for the PDU that they reply to.

2.3.3.1 CONNECT_IND and AUX_CONNECT_REQ

The Payload field of the CONNECT_IND and AUX_CONNECT_REQ PDUs is shown in [Figure 2.12](#). TxAdd in the advertising physical channel PDU header indicates whether the address in the InitA field is public (TxAdd = 0) or random (TxAdd = 1). The RxAdd in the advertising physical channel PDU header indicates whether the address in the AdvA field is public (RxAdd = 0) or random (RxAdd = 1).

The ChSel field in the CONNECT_IND PDU header shall be set to 1 if both the initiator and advertiser support the LE Channel Selection Algorithm #2 feature (see [Section 4.5.8.3](#)). If the initiator supports the LE Channel Selection Algorithm #2 feature but the advertiser does not, the initiator may set the ChSel field to 0 or 1. The ChSel field in the CONNECT_IND PDU header shall be set to 0 if the initiator does not support the LE Channel Algorithm #2 feature. The ChSel field in the AUX_CONNECT_REQ PDU header is reserved for future use.

Payload		
InitA (6 octets)	AdvA (6 octets)	LLData (22 octets)

Figure 2.12: CONNECT_IND and AUX_CONNECT_REQ PDU Payload



The format of the LLData field is shown in [Figure 2.13](#).

LLData									
AA (4 octets)	CRCInit (3 octets)	WinSize (1 octet)	WinOffset (2 octets)	Interval (2 octets)	Latency (2 octets)	Timeout (2 octets)	ChM (5 octets)	Hop (5 bits)	SCA (3 bits)

Figure 2.13: LLData field structure in CONNECT_IND and AUX_CONNECT_REQ PDU's Payload

The Payload consists of InitA, AdvA, and LLData fields. The InitA field shall contain the Initiator's public or random device address as indicated by TxAdd. The AdvA field shall contain the advertiser's public or random device address as indicated by RxAdd.

The LLData consists of 10 fields:

- The AA field shall contain the ACL connection's Access Address determined by the Link Layer following the rules specified in [Section 2.1.2](#).
- The CRCInit field shall contain the initialization value for the CRC calculation for the ACL connection, as defined in [Section 3.1.1](#). It shall be a random value, generated by the Link Layer. The seed for the random number generator shall be from a physical source of entropy and should have at least 20 bits of entropy.
- The WinSize field shall be set to indicate the *transmitWindowSize* value, as defined in [Section 4.5.3](#) in the following manner:
 $transmitWindowSize = WinSize * 1.25 \text{ ms}$.
- The WinOffset field shall be set to indicate the *transmitWindowOffset* value, as defined in [Section 4.5.3](#) in the following manner:
 $transmitWindowOffset = WinOffset * 1.25 \text{ ms}$.
- The Interval field shall be set to indicate the *connInterval* as defined in [Section 4.5.1](#) in the following manner: $connInterval = Interval * 1.25 \text{ ms}$.
- The Latency field shall be set to indicate the *connPeripheralLatency* value, as defined in [Section 4.5.1](#) in the following manner:
 $connPeripheralLatency = Latency$.
- The Timeout field shall be set to indicate the *connSupervisionTimeout* value, as defined in [Section 4.5.2](#), in the following manner:
 $connSupervisionTimeout = Timeout * 10 \text{ ms}$.
- The ChM field shall contain the channel map indicating *Used* and *Unused* data channels. Every channel is represented with a bit positioned as per the data channel index as defined in [Section 1.4.1](#). The LSB represents data channel index 0 and the bit in position 36 represents data channel index 36. A bit value of 0 indicates that the channel is *Unused*. A bit value of 1 indicates that the channel is *Used*. The bits in positions 37, 38 and 39 are reserved for future use.

Note: When mapping from RF channels to data channel index, care should be taken to remember that there is a gap where advertising channel index 38 is placed.



- The Hop field shall be set to indicate the *hopIncrement* used in the data channel selection algorithm as defined in [Section 4.5.8.2](#). It shall have a random value in the range 5 to 16.
- The SCA field shall be set to indicate the *centralSCA* used to determine the Central's worst case sleep clock accuracy as defined in [Section 4.2.2](#). The value of the SCA field shall be set as defined in [Table 2.11](#).

SCA	<i>centralSCA or peripheralSCA</i>
0	251 ppm to 500 ppm
1	151 ppm to 250 ppm
2	101 ppm to 150 ppm
3	76 ppm to 100 ppm
4	51 ppm to 75 ppm
5	31 ppm to 50 ppm
6	21 ppm to 30 ppm
7	0 ppm to 20 ppm

Table 2.11: SCA field encoding

2.3.3.2 AUX_CONNECT_RSP

The AUX_CONNECT_RSP PDU uses the Common Extended Advertising Payload Format described in [Section 2.3.4](#).

The AdvMode field shall be set to 0b00.

The Common Extended Advertising Payload Format fields permitted in the AUX_CONNECT_RSP PDU are shown in [Table 2.12](#).

		Common Extended Advertising Payload Format fields								
Adv Mode	Event Type	AdvA	TargetA	CTE Info	ADI	Aux Ptr	Sync Info	Tx Power	ACAD	Adv Data
0b00	Connection response	M	M	X	X	X	X	X	X	X
0b01 to 0b11	RFU									

Table 2.12: Common Extended Advertising Payload Format fields permitted in the AUX_CONNECT_RSP PDU



2.3.4 Common Extended Advertising Payload Format

The following extended Advertising Physical Channel PDUs share the same Advertising Physical Channel PDU payload format, referred to in the specification as the “Common Extended Advertising Payload Format”:

- ADV_EXT_IND
- AUX_ADV_IND
- AUX_SCAN_RSP
- AUX_SYNC_IND
- AUX_CHAIN_IND
- AUX_CONNECT_RSP
- AUX_SYNC_SUBEVENT_IND
- AUX_SYNC_SUBEVENT_RSP

The common extended advertising payload format is shown in [Figure 2.14](#).

Payload			
Extended Header Length (6 bits)	AdvMode (2 bits)	Extended Header (0 - 63 octets)	AdvData (0 - 254 octets)

Figure 2.14: Common Extended Advertising Payload Format

The Extended Header Length is a value between 0 and 63 and indicates the size of the variable length Extended Header field.

The AdvMode field indicates the mode of the advertisement. The value of the AdvMode field shall be set as defined in [Table 2.13](#).

Value	Mode	
0b00	Non-connectable	Non-scannable
0b01	Connectable	Non-scannable
0b10	Non-connectable	Scannable
0b11	Reserved for future use	

Table 2.13: AdvMode field encoding

AdvData, if present, shall contain advertising data from the advertiser’s Host. The maximum size of AdvData depends on the size of the Extended Header. The size of the AdvData can be calculated by subtracting the length of the Extended Header plus one octet from the Length specified in the Advertising physical channel PDU Header.



The Extended Header field is a variable length header that is present if, and only if, the Extended Header Length field is non-zero. The format of the Extended Header is shown in [Figure 2.15](#).

Extended Header								
Extended Header Flags (1 octet)	AdvA (6 octets)	TargetA (6 octets)	CTEInfo (1 octet)	AdvData Info (ADI) (2 octets)	AuxPtr (3 octets)	SyncInfo (18 octets)	TxPower (1 octet)	ACAD (varies)

Figure 2.15: Extended Header

The Extended Header Flags bit field definitions are shown in [Table 2.14](#).

Bit	Extended Header
0	AdvA
1	TargetA
2	CTEInfo
3	AdvDataInfo (ADI)
4	AuxPtr
5	SyncInfo
6	TxPower
7	Reserved for future use

Table 2.14: Extended Header Flags

If a flag bit is set to 1, the corresponding Extended Header field is present; otherwise, the corresponding Extended Header field is not present. The Extended Header fields that are present are always in the same order as the flags in the Extended Header flags (i.e., the AdvA field is first if present, then the TargetA field if present, etc.).

Whether an Extended Header flag and corresponding Extended Header field is mandatory, optional, or reserved for future use is dependent on the Advertising Physical Channel PDU in which the extended header is used.

2.3.4.1 AdvA field

When present, the AdvA field is six octets with the format shown in [Figure 2.16](#).

AdvA
Advertising Address (6 octets)

Figure 2.16: AdvA field



The Advertising Address field contains the advertiser's device address. If the AdvA field is present, TxAdd in the advertising physical channel PDU header indicates whether this address is public (TxAdd = 0) or random (TxAdd = 1).

2.3.4.2 TargetA field

When present, the TargetA field is six octets with the format shown in [Figure 2.17](#).

TargetA
Target Address (6 octets)

Figure 2.17: TargetA field

The Target Address field contains the scanner's or initiator's device address to which the advertisement is directed. If the TargetA field is present, RxAdd in the advertising physical channel PDU header indicates whether this address is public (RxAdd = 0) or random (RxAdd = 1).

2.3.4.3 CTEInfo field

The presence of the CTEInfo field indicates that the packet includes a Constant Tone Extension. The CTEInfo field is defined in [Section 2.5.2](#).

2.3.4.4 AdvDataInfo field

When present, the AdvDataInfo (ADI) field is two octets with the format shown in [Figure 2.18](#).

AdvDataInfo	
Advertising Data ID (DID) (12 bits)	Advertising Set ID (SID) (4 bits)

Figure 2.18: AdvDataInfo field

The Advertising Set ID (SID) is set by the advertiser to distinguish between different advertising sets transmitted by this device.

The Advertising Data ID (DID) is set by the advertiser to indicate to the scanner whether it can assume that the data contents in the AdvData are a duplicate of the previous AdvData sent in an earlier packet.



2.3.4.5 AuxPtr field

When present, the AuxPtr field is three octets with the format shown in [Figure 2.19](#).

AuxPtr				
Channel Index (6 bits)	CA (1 bit)	Offset Units (1 bit)	AUX Offset (13 bits)	AUX PHY (3 bits)

Figure 2.19: AuxPtr field

The presence of the AuxPtr field indicates that some or all of the advertisement data is in a subsequent auxiliary packet. The contents of the AuxPtr field describe this packet.

The Channel Index field contains the general-purpose channel index (see [Section 1.4.1](#)) used to transmit the auxiliary packet.

The Offset Units field indicates the units used by the Aux Offset Field. The value of the Offset Units field shall be set as defined in [Table 2.15](#).

Value	Units
0	30 μ s
1	300 μ s

Table 2.15: Offset Units field encoding

The Aux Offset field contains the time from a reference point to the approximate start of the auxiliary packet, where the reference point is the start of the packet containing the AuxPtr field. The value of the AUX Offset field is in the unit of time indicated by the Offset Units field; the offset is determined by multiplying the value by the unit. The Aux Offset shall be at least the length of the packet plus T_MAFS (see [Section 4.1.2](#)). The Offset Units field shall be set to 0 if the Aux Offset is less than 245,700 μ s. The auxiliary packet shall not start any earlier than the Aux Offset after the reference point and shall start no later than the Aux Offset plus one Offset Unit after the reference point. This allows the Link Layer to round the Aux Offset to the Offset Unit.

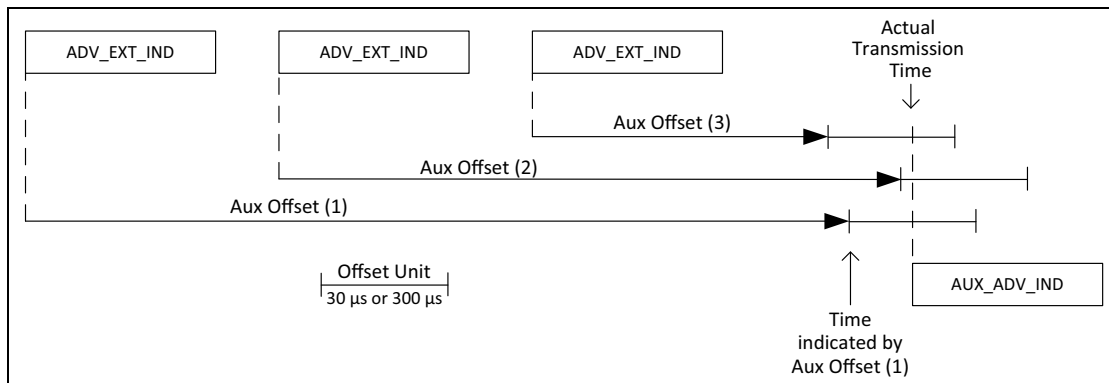


Figure 2.20: Aux Offset transmission window

The Aux PHY field indicates the PHY used to transmit the auxiliary packet. The value of the Aux PHY field shall be set as defined in [Table 2.16](#).

Value	PHY used
0b000	LE 1M
0b001	LE 2M
0b010	LE Coded
0b011 – 0b111	Reserved for future use

Table 2.16: Aux PHY field encoding

The CA field contains the clock accuracy of the advertiser that will be used between the packet containing this data and the auxiliary packet. The value of the CA field shall be set as defined in [Table 2.17](#).

CA Value	Advertiser’s Clock Accuracy
0	51 ppm to 500 ppm
1	0 ppm to 50 ppm

Table 2.17: Clock Accuracy field encoding

An AuxPtr field with an Aux Offset of zero is permitted and indicates that no auxiliary packet will be transmitted but the Host advertising data in the current PDU is incomplete (see [Section 2.3.4.9](#)); it shall be treated as equivalent to one referring to an AUX_CHAIN_IND PDU that is never received. The remaining fields shall contain valid values.



2.3.4.6 SyncInfo field

When present, the SyncInfo field is 18 octets with the format shown in [Figure 2.21](#).

SyncInfo									
Offset Base (13 bits)	Offset Units (1 bit)	Offset Adjust (1 bit)	RFU (1 bit)	Interval (2 octets)	ChM (37 bits)	SCA (3 bits)	AA (4 octets)	CRCInit (3 octets)	PeriodicEventCounter (2 octets)

Figure 2.21: SyncInfo field

The presence of the SyncInfo field indicates the presence of a periodic advertising train (using AUX_SYNC_IND PDUs or AUX_SYNC_SUBEVENT_IND PDUs). The contents of the SyncInfo field describe this periodic advertising train.

The Offset Units field indicates the units used by the Offset Base field. The value of the Offset Units field shall be set as defined in [Table 2.18](#).

Value	Units
0	30 μs
1	300 μs

Table 2.18: Offset Units field encoding

The SyncInfo field can appear in an advertising PDU or in an LL_PERIODIC_SYNC_IND PDU or LL_PERIODIC_SYNC_WR_IND PDU (see [Section 2.4.2.27](#) and [Section 2.4.2.40](#)).

The syncPacketWindowOffset value is the time from a reference point to the start of the AUX_SYNC_IND or the AUX_SYNC_SUBEVENT_IND of subevent 0 packet that this SyncInfo field describes. If the SyncInfo appears in an advertising PDU, the reference point is the start of the packet containing it. If it appears in an LL_PERIODIC_SYNC_IND PDU or an LL_PERIODIC_SYNC_WR_IND PDU, the reference point is specified by that PDU. The value of syncPacketWindowOffset is determined by multiplying the value of the Offset Base field by the unit of time indicated by the Offset Units field and then, if the Offset Adjust field is set to 1, adding 2.4576 seconds. The Offset Units field shall be set to 0 if syncPacketWindowOffset is less than 245,700 μs. The Offset Adjust field shall be set to 0 if the Offset Units field is set to 0 or if the SyncInfo field appears within an advertising PDU. As illustrated in [Figure 2.22](#), the packet containing the AUX_SYNC_IND PDU or AUX_SYNC_SUBEVENT_IND PDU shall not start any earlier than syncPacketWindowOffset after the reference point and shall start no later than syncPacket-



WindowOffset plus one Offset unit after the reference point. This allows the Link Layer to round syncPacketWindowOffset to the Offset Unit.

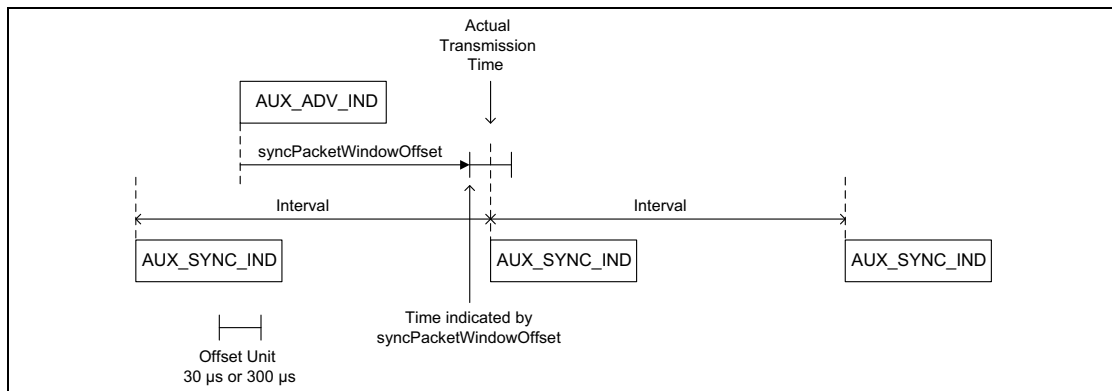


Figure 2.22: Transmission window represented by syncPacketWindowOffset

A value of 0 for syncPacketWindowOffset indicates that the time to the next AUX_SYNC_IND or AUX_SYNC_SUBEVENT_IND packet is greater than can be represented.

The Interval field contains the time in 1.25 ms units from the start of one packet of the periodic advertising train to the start of the next packet. The value shall not be less than 6 (7.5 ms).

The ChM field contains the channel map indicating *Used* and *Unused* RF channels on the periodic physical channel. Every channel is represented with a bit positioned as per the channel index as defined in Section 1.4.1. The LSB represents channel index 0 and the bit in position 36 represents channel index 36. A bit value of 0 indicates that the channel is *Unused*. A bit value of 1 indicates that the channel is *Used*.

The AA, CRCInit, and SCA fields have the same meaning as the corresponding fields in the CONNECT_IND PDU (see Section 2.3.3.1).

The PeriodicEventCounter field contains the value of *paEventCounter* (see Section 4.4.2.1) that applies to the AUX_SYNC_IND or AUX_SYNC_SUBEVENT_IND packet that this SyncInfo field describes.

2.3.4.7 TxPower field

When present, the TxPower is one octet with the format shown in Figure 2.23.

TxPower
Tx Power Level (1 octet)

Figure 2.23: TxPower field



The Tx Power Level field is the same value defined for the Tx Power Advertising Data type defined in Section 1.5 of [1].

If the Host instructs the Controller to include the TxPower field in an advertisement, then it shall be included in the AUX_ADV_IND PDU if the extended advertising event contains one and in all the ADV_EXT_IND PDUs otherwise. Any AUX_CHAIN_IND PDUs should not contain a TxPower field. If the Host instructs the Controller to include the TxPower field in a periodic advertisement, then it shall be included in the AUX_SYNC_IND, AUX_SYNC_SUBEVENT_IND, or AUX_SYNC_SUBEVENT_RSP PDUs but not in any AUX_CHAIN_IND PDUs.

2.3.4.8 ACAD field

The remainder of the extended header forms the Additional Controller Advertising Data (ACAD) field. The length of this field is the Extended Header length minus the sum of the size of the extended header flags (1 octet) and those fields indicated by the flags as present. ACAD cannot be fragmented across multiple advertising physical channel PDUs; it shall always fit inside a single advertising physical channel PDU.

The ACAD field, if present, shall hold data from the advertiser's Controller or intended to be used by the recipient's Controller. It uses the format described in [Vol 3] Part C, Section 11.

The ACAD type formats and meanings are defined in Section 1 of [1]. The ACAD type identifier values are defined in Assigned Numbers.

2.3.4.9 Host Advertising Data

The portion of the PDU after the extended header forms the AdvData field. The length of this field is specified in Section 2.3.4.

The AdvData field, if present, shall hold data from the advertiser's Host in the format described in [Vol 3] Part C, Section 11. If the Host does not provide any data, the AdvData field shall be omitted but, for all other purposes in this Part, this shall be treated as if the Host had provided data.

The Controller may support fragmentation of Host Advertising Data. The total amount of Host Advertising Data before fragmentation shall not exceed 1650 octets. When the Link Layer fragments the Host advertising data, the number of fragments and the size of each fragment are chosen by the Controller. The Controller should minimize the number of fragments to ensure more reliability in delivering the entire Host advertising data. The Host may indicate a preference whether the Controller should fragment the Host advertising data, but the Controller may ignore the preference. If the amount of advertising or scan response data to be sent in an extended advertising or scanning PDU plus the Extended Header Length, AdvMode, and Extended Header exceed



the maximum Advertising Physical Channel PDU payload (255 octets), the Link Layer shall fragment the Host advertising data.

The Link Layer shall place the multiple fragments in the AdvData field of different PDUs. When Host advertising data is fragmented the first fragment shall be placed in the AUX_ADV_IND, AUX_SYNC_IND or AUX_SCAN_RSP PDU while subsequent fragments shall be placed in AUX_CHAIN_IND PDUs. Each AUX_CHAIN_IND PDU is the auxiliary PDU of the PDU containing the previous fragment; AUX_CHAIN_IND PDUs not containing AdvData shall not have an auxiliary PDU containing AdvData.

If the Link Layer has fragmented the Host advertising data but is subsequently unable to transmit all the fragments, the last fragment that it is able to transmit should contain an AuxPtr field with an Aux Offset of zero so that scanners are aware that the data has been truncated.

2.4 DATA PHYSICAL CHANNEL PDU

The Data Physical Channel PDU has a 16 or 24 bit header, a variable size payload, and may include a Message Integrity Check (MIC) field.

The Data Physical Channel PDU is as shown in [Figure 2.24](#).



Figure 2.24: Data Physical Channel PDU

The Header field of the Data Physical Channel PDU is as shown in [Figure 2.25](#).

Header							
LLID (2 bits)	NESN (1 bit)	SN (1 bit)	MD (1 bit)	CP (1 bit)	RFU (2 bits)	Length (8 bits)	CTEInfo (8 bits)

Figure 2.25: Data Physical Channel PDU header

The 16 or 24 bit Header field consists of 6 or 7 fields that are specified in [Table 2.19](#).

The MIC field shall not be included in an un-encrypted ACL connection, or in an encrypted ACL connection with a Data Channel PDU with a zero length Payload.



The MIC field shall be included in an encrypted ACL connection, with a Data Channel PDU with a non-zero length Payload and shall be calculated as specified in [\[Vol 6\] Part E, Section 1](#).

The payload format depends on the LLID field of the Header. If the LLID field is 0b01 or 0b10, the Data Physical Channel PDU Payload contains an LL Data PDU as defined in [Section 2.4.1](#). If the LLID field is 0b11 then the Data Physical Channel PDU Payload contains an LL Control PDU as defined in [Section 2.4.2](#).

The NESN bit of the Header is defined in [Section 4.5.9](#).

The SN bit of the Header is defined in [Section 4.5.9](#).

The MD bit of the Header is defined in [Section 4.5.6](#).

The CTEInfo Present (CP) field of the Header indicates whether the Data Physical Channel PDU Header has a CTEInfo field and therefore whether the data physical channel packet has a Constant Tone Extension. If the CP field is 0, then no CTEInfo field is present in the Data Channel PDU Header and there is no Constant Tone Extension in the data physical channel packet. If the CP field is 1, then the CTEInfo field in the Data Physical Channel PDU Header is present and the data physical channel packet includes a Constant Tone Extension.

The Length field of the Header indicates the length of the Payload and MIC if included. The length field has the range 0 to 255 octets. The Payload shall be less than or equal to 251 octets in length. The MIC is 4 octets in length.

The CTEInfo field of the Header is present if indicated in the CP field. The CTEInfo field is defined in [Section 2.5.2](#). The CTEInfo field can be present in the header of any Data Physical Channel PDU. However, the Link Layer shall not transmit a Data Physical Channel PDU containing a CTEInfo field unless it has determined that the peer device supports the Receiving Constant Tone Extensions feature (see [Section 4.6.22](#)).

Note: A Controller that transmits a PDU containing a CTEInfo field will not necessarily be able to receive one and vice-versa.



In this version of the specification, the only way to request a remote device to send a packet containing the CTEInfo field is via the Constant Tone Extension Request procedure.

Field name	Description
LLID	The LLID indicates whether the packet is an LL Data PDU or an LL Control PDU. 0b00 = Reserved for future use 0b01 = LL Data PDU: Continuation fragment of an L2CAP message, or an Empty PDU. 0b10 = LL Data PDU: Start of an L2CAP message or a complete L2CAP message with no fragmentation. 0b11 = LL Control PDU
NESN	Next Expected Sequence Number
SN	Sequence Number
MD	More Data
CP	CTEInfo Present
Length	The Length field indicates the size, in octets, of the Payload and MIC, if included.
CTEInfo	The CTEInfo field indicates the type and length of the Constant Tone Extension.

Table 2.19: Data Physical Channel PDU header field

2.4.1 LL Data PDU

An LL Data PDU is a Data Channel PDU that is used to send L2CAP data. The LLID field in the Header shall be set to either 0b01 or 0b10.

An LL Data PDU with the LLID field in the Header set to 0b01, and the Length field set to 0b00000000, is known as an Empty PDU. The Central’s Link Layer may send an Empty PDU to the Peripheral to allow the Peripheral to respond with any Data Physical Channel PDU, including an Empty PDU.

An LL Data PDU with the LLID field in the Header set to 0b10 shall not have the Length field set to 0 and should not have it set to less than 4.

Note: If the Link Layer receives an HCI ACL Data Packet with Data_Total_Length equal to 0b00000000 and Packet_Boundary_Flag set to 0b00 (i.e., a start fragment), then the Link Layer cannot simply transmit the fragment over the air but, as this section requires, must instead combine it with one or more of the following continuation fragments to form a PDU with LLID set to 0b10 and non-zero length.



2.4.2 LL Control PDU

An LL Control PDU is a Data Physical Channel PDU that is used to control the Link Layer connection.

The Payload field of the LL Control PDU is shown in [Figure 2.26](#).

Payload	
Opcode (1 octet)	CtrlData (0 – 250 octets)

Figure 2.26: LL Control PDU Payload

An LL Control PDU shall not have the Length field set to 0b00000000.

The Payload consists of Opcode and CtrlData fields.

The Opcode field identifies different types of LL Control PDU, as defined in [Table 2.20](#).

The CtrlData field in the LL Control PDU is specified by the Opcode field and is defined in the following subsections. For a given Opcode the length of the CtrlData field is fixed.

Where the description of a field within the CtrlData field gives a range of valid values or other restrictions on a value (e.g. that field X is less than field Y), all other values shall be reserved for future use. The range may be directly specified in the relevant subsection for the LL Control PDU or indirectly, possibly in a section referenced by that subsection (e.g. the range of the WinSize field in [Section 2.4.2.1](#) is derived from the range of the *transmitWindowSize* value specified in [Section 4.5.3](#)).

If no range is specified for a field, then all values for that field are valid.

Except where explicitly stated otherwise, all fields within the CtrlData field in an LL Control PDU that hold an integer shall be interpreted as unsigned.

Opcode	LL Control PDU Name
0x00	LL_CONNECTION_UPDATE_IND
0x01	LL_CHANNEL_MAP_IND
0x02	LL_TERMINATE_IND
0x03	LL_ENC_REQ
0x04	LL_ENC_RSP
0x05	LL_START_ENC_REQ
0x06	LL_START_ENC_RSP

Table 2.20: LL Control PDU opcodes



Opcode	LL Control PDU Name
0x07	LL_UNKNOWN_RSP
0x08	LL_FEATURE_REQ
0x09	LL_FEATURE_RSP
0x0A	LL_PAUSE_ENC_REQ
0x0B	LL_PAUSE_ENC_RSP
0x0C	LL_VERSION_IND
0x0D	LL_REJECT_IND
0x0E	LL_PERIPHERAL_FEATURE_REQ
0x0F	LL_CONNECTION_PARAM_REQ
0x10	LL_CONNECTION_PARAM_RSP
0x11	LL_REJECT_EXT_IND
0x12	LL_PING_REQ
0x13	LL_PING_RSP
0x14	LL_LENGTH_REQ
0x15	LL_LENGTH_RSP
0x16	LL_PHY_REQ
0x17	LL_PHY_RSP
0x18	LL_PHY_UPDATE_IND
0x19	LL_MIN_USED_CHANNELS_IND
0x1A	LL_CTE_REQ
0x1B	LL_CTE_RSP
0x1C	LL_PERIODIC_SYNC_IND
0x1D	LL_CLOCK_ACCURACY_REQ
0x1E	LL_CLOCK_ACCURACY_RSP
0x1F	LL_CIS_REQ
0x20	LL_CIS_RSP
0x21	LL_CIS_IND
0x22	LL_CIS_TERMINATE_IND
0x23	LL_POWER_CONTROL_REQ
0x24	LL_POWER_CONTROL_RSP
0x25	LL_POWER_CHANGE_IND
0x26	LL_SUBRATE_REQ

Table 2.20: LL Control PDU opcodes



Opcode	LL Control PDU Name
0x27	LL_SUBRATE_IND
0x28	LL_CHANNEL_REPORTING_IND
0x29	LL_CHANNEL_STATUS_IND
0x2A	LL_PERIODIC_SYNC_WR_IND
0xF0 to 0xFB	Reserved for future use (used for specification development purposes)
All other values	Reserved for future use

Table 2.20: LL Control PDU opcodes

If an LL Control PDU is received that is not supported or reserved for future use, the Link Layer shall respond with an LL_UNKNOWN_RSP PDU. The UnknownType field of the LL_UNKNOWN_RSP PDU shall be set to the value of the Opcode in the received PDU.

If an LL Control PDU is received with the wrong length or with invalid CtrData fields, the Link Layer may continue with the relevant Link Layer procedure with an implementation-specific interpretation of the data (e.g., if the PDU is too long it can ignore the extra data; if a field is out of range it can use the nearest permitted value). If it does not continue the procedure, it shall respond with an LL_UNKNOWN_RSP PDU or, if the relevant procedure allows it, an LL_REJECT_IND or LL_REJECT_EXT_IND PDU. The UnknownType field of the LL_UNKNOWN_RSP PDU or the RejectOpcode field of the LL_REJECT_EXT_IND PDU shall be set to the value of the Opcode in the received PDU.

2.4.2.1 LL_CONNECTION_UPDATE_IND

The format of the CtrData field is as shown in [Figure 2.27](#).

CtrData					
WinSize (1 octet)	WinOffset (2 octets)	Interval (2 octets)	Latency (2 octets)	Timeout (2 octets)	Instant (2 octets)

Figure 2.27: CtrData field of the LL_CONNECTION_UPDATE_IND PDU

The LL_CONNECTION_UPDATE_IND CtrData consists of six fields:

- The WinSize field shall be set to indicate the *transmitWindowSize* value, as defined in [Section 4.5.3](#) in the following manner:
 $transmitWindowSize = WinSize * 1.25 \text{ ms}$.
- The WinOffset field shall be set to indicate the *transmitWindowOffset* value, as defined in [Section 4.5.3](#), in the following manner:
 $transmitWindowOffset = WinOffset * 1.25 \text{ ms}$.



- The Interval field shall be set to indicate the *connInterval* value, as defined in [Section 4.5.1](#), in the following manner: $connInterval = Interval * 1.25 \text{ ms}$.
- The Latency field shall be set to indicate the *connPeripheralLatency* value, as defined by [Section 4.5.1](#), in the following manner: $connPeripheralLatency = Latency$.
- The Timeout field shall be set to indicate the *connSupervisionTimeout* value, as defined by [Section 4.5.2](#), in the following manner: $connSupervisionTimeout = Timeout * 10 \text{ ms}$.
- The Instant field shall be set to indicate the instant described in [Section 5.1.1](#).

2.4.2.2 LL_CHANNEL_MAP_IND

The format of the CtrData field is shown in [Figure 2.28](#).

CtrData	
ChM (5 octets)	Instant (2 octets)

Figure 2.28: CtrData field of the LL_CHANNEL_MAP_IND PDU

The LL_CHANNEL_MAP_IND CtrData consists of two fields:

- The ChM field shall contain the channel map indicating *Used* and *Unused* data channels. Every channel is represented with a bit positioned as per the data channel index defined by [Section 1.4.1](#). The format of this field is identical to the ChM field in the CONNECT_IND PDU (see [Section 2.3.3.1](#)).
- The Instant field shall be set to indicate the instant described in [Section 5.1.2](#).

2.4.2.3 LL_TERMINATE_IND

The format of the CtrData field is shown in [Figure 2.29](#).

CtrData
ErrorCode (1 octet)

Figure 2.29: CtrData field of the LL_TERMINATE_IND PDU

The LL_TERMINATE_IND CtrData consists of one field:

- The ErrorCode field shall be set to inform the remote device why the connection is about to be terminated. See [\[Vol 1\] Part F, Controller Error Codes](#) for details.



2.4.2.4 LL_ENC_REQ

The format of the CtrData field is shown in [Figure 2.30](#).

CtrData			
Rand (8 octets)	EDIV (2 octets)	SKD_C (8 octets)	IV_C (4 octets)

Figure 2.30: CtrData field of the LL_ENC_REQ PDU

The LL_ENC_REQ CtrData consists of four fields:

- The Rand field shall contain a random number that is provided by the Host and used with EDIV (see [\[Vol 3\] Part H, Section 2.4.4](#)).
- The EDIV field shall contain the encrypted diversifier.
- The SKD_C field shall contain the Central's portion of the session key diversifier.
- The IV_C field shall contain the Central's portion of the initialization vector.

2.4.2.5 LL_ENC_RSP

The format of the CtrData field is shown in [Figure 2.31](#).

CtrData	
SKD_P (8 octets)	IV_P (4 octets)

Figure 2.31: CtrData field of the LL_ENC_RSP PDU

The LL_ENC_RSP CtrData consists of two fields.

- The SKD_P field shall contain the Peripheral's portion of the session key diversifier.
- The IV_P field shall contain the Peripheral's portion of the initialization vector.

2.4.2.6 LL_START_ENC_REQ

The LL_START_ENC_REQ PDU does not have a CtrData field.

2.4.2.7 LL_START_ENC_RSP

The LL_START_ENC_RSP PDU does not have a CtrData field.



2.4.2.8 LL_UNKNOWN_RSP

The format of the CtrData field is shown in [Figure 2.32](#).

CtrData
UnknownType (1 octet)

Figure 2.32: CtrData field of the LL_UNKNOWN_RSP PDU

The LL_UNKNOWN_RSP CtrData consists of one field:

- UnknownType shall contain the Opcode field value of the received LL Control PDU.

2.4.2.9 LL_FEATURE_REQ

The format of the CtrData field is shown in [Figure 2.33](#).

CtrData
FeatureSet (8 octets)

Figure 2.33: CtrData field of the LL_FEATURE_REQ PDU

The LL_FEATURE_REQ CtrData consists of one field:

- FeatureSet shall contain the set of features supported by the Central’s Link Layer as specified in [Section 4.6](#).

2.4.2.10 LL_FEATURE_RSP

The format of the CtrData field is shown in [Figure 2.34](#).

CtrData
FeatureSet (8 octets)

Figure 2.34: CtrData field of the LL_FEATURE_RSP PDU

The LL_FEATURE_RSP CtrData consists of one field:

- FeatureSet[0] shall contain a set of features supported by the Link Layers of both the Central and Peripheral.
- FeatureSet[1-7] shall contain a set of features supported by the Link Layer that transmits this PDU.

See [Section 4.6](#) for the list of features.



2.4.2.11 LL_PAUSE_ENC_REQ

The LL_PAUSE_ENC_REQ packet does not have a CtrData field.

2.4.2.12 LL_PAUSE_ENC_RSP

The LL_PAUSE_ENC_RSP packet does not have a CtrData field.

2.4.2.13 LL_VERSION_IND

The format of the CtrData field is shown in [Figure 2.35](#).

CtrData		
Version (1 octet)	Company_Identifier (2 octets)	Subversion (2 octets)

Figure 2.35: CtrData field of the LL_VERSION_IND PDU

The LL_VERSION_IND CtrData consists of three fields:

- Version field shall contain the version of the Bluetooth Link Layer specification supported by the Controller (see [Assigned Numbers](#)).
- Company_Identifier field shall contain the company identifier of the manufacturer of the Bluetooth Controller (see [Assigned Numbers](#)).
- Subversion field shall contain a unique value for each implementation or revision of an implementation of the Bluetooth Controller.

Note: A given value of Version does not indicate that the device supports all the features in the corresponding version of the specification; the relevant feature bits (see [Section 4.6](#)) should be checked instead.

Note: A larger value for Version does not necessarily indicate a higher version of the specification.

2.4.2.14 LL_REJECT_IND

The format of the CtrData field is shown in [Figure 2.36](#).

CtrData
ErrorCode (1 octet)

Figure 2.36: CtrData field of the LL_REJECT_IND

ErrorCode shall contain the reason a request was rejected; see [\[Vol 1\] Part F, Controller Error Codes](#).



2.4.2.15 LL_PERIPHERAL_FEATURE_REQ

The format of the CtrData field is shown in Figure 2.37.

CtrData
FeatureSet (8 octets)

Figure 2.37: CtrData field of the LL_PERIPHERAL_FEATURE_REQ PDU

The LL_PERIPHERAL_FEATURE_REQ CtrData consists of one field:

- FeatureSet shall contain the set of features supported by the Peripheral’s Link Layer as specified in Section 4.6.

2.4.2.16 LL_CONNECTION_PARAM_REQ

The format of the CtrData field is shown in Figure 2.38.

CtrData											
Interval_Min (2 octets)	Interval_Max (2 octets)	Latency (2 octets)	Timeout (2 octets)	PreferredPeriodicity (1 octet)	ReferenceConnEventCount (2 octets)	Offset0 (2 octets)	Offset1 (2 octets)	Offset2 (2 octets)	Offset3 (2 octets)	Offset4 (2 octets)	Offset5 (2 octets)

Figure 2.38: CtrData field of the LL_CONNECTION_PARAM_REQ PDU

The LL_CONNECTION_PARAM_REQ CtrData consists of 12 fields:

- The Interval_Min field shall be set to indicate the minimum value of *connInterval*, as defined in Section 4.5.1, in the following manner:
 $connInterval = Interval_Min * 1.25 \text{ ms}$.
- The Interval_Max field shall be set to indicate the maximum value of *connInterval*, as defined in Section 4.5.1, in the following manner:
 $connInterval = Interval_Max * 1.25 \text{ ms}$. The value shall not be less than the value of Interval_Min.
- The Latency field shall be set to indicate the *connPeripheralLatency* value, as defined by Section 4.5.1, in the following manner:
 $connPeripheralLatency = Latency$.
- The Timeout field shall be set to indicate the *connSupervisionTimeout* value, as defined by Section 4.5.2, in the following manner:
 $connSupervisionTimeout = Timeout * 10 \text{ ms}$.
- The PreferredPeriodicity field shall be set to indicate a value the *connInterval* is preferred to be a multiple of. PreferredPeriodicity is in units of



1.25 ms. E.g. if the PreferredPeriodicity is set to 100, it implies that *connInterval* is preferred to be any multiple of 125 ms. A value of zero means no preference. The PreferredPeriodicity shall be less than or equal to Interval_Max.

- The ReferenceConnEventCount field shall be set to indicate the value of the *connEventCounter* relative to which all the valid Offset0 to Offset5 fields have been calculated.

Note: The ReferenceConnEventCount field is independent of the Instant field in the LL_CONNECTION_UPDATE_IND PDU.

- The Offset0, Offset1, Offset2, Offset3, Offset4, and Offset5 fields shall be set to indicate the possible values of the position of the anchor points of the LE connection with the updated connection parameters relative to the ReferenceConnEventCount. The Offset0 to Offset5 fields are in units of 1.25 ms and are in decreasing order of preference; that is, Offset0 is the most preferred value, followed by Offset1, and so on. Offset0 to Offset5 shall be less than Interval_Max. A value of 0xFFFF means not valid. Valid Offset0 to Offset5 fields shall contain unique values. Valid fields shall always be before invalid fields.

2.4.2.17 LL_CONNECTION_PARAM_RSP

The format of the LL_CONNECTION_PARAM_RSP PDU is identical to the format of the LL_CONNECTION_PARAM_REQ PDU (see [Section 2.4.2.16](#)).

2.4.2.18 LL_REJECT_EXT_IND

The format of the CtrData field is shown in [Figure 2.39](#).

CtrData	
RejectOpcode (1 octet)	ErrorCode (1 octet)

Figure 2.39: CtrData field of the LL_REJECT_EXT_IND PDU

The LL_REJECT_EXT_IND CtrData consists of two fields:

- RejectOpcode shall contain the Opcode field value of the LL Control PDU being rejected.
- ErrorCode shall contain the reason the LL Control PDU was being rejected. See [\[Vol 1\] Part F, Controller Error Codes](#) for a list of error codes and descriptions.

This PDU shall be issued only when the remote Link Layer supports the Extended Reject Indication Link Layer feature ([Section 4.6](#)). Otherwise, the LL_REJECT_IND PDU ([Section 2.4.2.14](#)) shall be issued instead.



2.4.2.19 LL_PING_REQ

The LL_PING_REQ PDU does not have a CtrData field.

2.4.2.20 LL_PING_RSP

The LL_PING_RSP PDU does not have a CtrData field.

2.4.2.21 LL_LENGTH_REQ and LL_LENGTH_RSP

The format of the CtrData field for both the LL_LENGTH_REQ and LL_LENGTH_RSP PDUs is shown in [Figure 2.40](#).

CtrData			
MaxRxOctets (2 octets)	MaxRxTime (2 octets)	MaxTxOctets (2 octets)	MaxTxTime (2 octets)

Figure 2.40: CtrData field of the LL_LENGTH_REQ and LL_LENGTH_RSP PDUs

The LL_LENGTH_REQ and LL_LENGTH_RSP CtrData consists of four fields:

- MaxRxOctets shall be set to the sender’s *connMaxRxOctets* value, as defined in [Section 4.5.10](#). The MaxRxOctets field shall have a value not less than 27 octets.
- MaxRxTime shall be set to the sender’s *connMaxRxTime* value, as defined in [Section 4.5.10](#). The MaxRxTime field shall have a value not less than 328 μs.
- MaxTxOctets shall be set to the sender’s *connMaxTxOctets* value, as defined in [Section 4.5.10](#). The MaxTxOctets field shall have a value not less than 27 octets.
- MaxTxTime shall be set to the sender’s *connMaxTxTime* value, as defined in [Section 4.5.10](#). The MaxTxTime field shall have a value not less than 328 μs.

2.4.2.22 LL_PHY_REQ and LL_PHY_RSP

The format of the CtrData field for both the LL_PHY_REQ and LL_PHY_RSP PDUs is shown in [Figure 2.41](#).

CtrData	
TX_PHYS (1 octet)	RX_PHYS (1 octet)

Figure 2.41: CtrData field of the LL_PHY_REQ and LL_PHY_RSP PDUs

The LL_PHY_REQ and LL_PHY_RSP CtrData consists of two fields:



- TX_PHYS shall be set to indicate the transmitter PHYs that the sender prefers to use.
- RX_PHYS shall be set to indicate the receiver PHYs that the sender prefers to use.

These fields each consist of 8 bits; at least one bit in each field shall be set to 1. The bits that are set indicate which PHY or PHYs the sender prefers to use.

Bit number	Meaning
0	LE 1M PHY
1	LE 2M PHY
2	LE Coded PHY
3–7	Reserved for future use

Table 2.21: PHY field bit meanings

2.4.2.23 LL_PHY_UPDATE_IND

The format of the CtrData field is shown in [Figure 2.42](#).

CtrData		
PHY_C_TO_P (1 octet)	PHY_P_TO_C (1 octet)	Instant (2 octets)

Figure 2.42: CtrData field of the LL_PHY_UPDATE_IND PDU

The LL_PHY_UPDATE_IND CtrData consists of three fields:

- PHY_C_TO_P shall be set to indicate the PHY that shall be used for packets sent from the Central to the Peripheral. PHY_P_TO_C shall be set to indicate the PHY that shall be used for packets sent from the Peripheral to the Central. These fields each consist of 8 bits. If a PHY is changing, the bit corresponding to the new PHY (as specified in [Table 2.21](#)) shall be set to 1 and the remaining bits to 0; if a PHY is remaining unchanged, then the corresponding field shall be set to the value 0.
- Instant shall be set to indicate the instant described in [Section 5.1.10](#).

If both the PHY_C_TO_P and PHY_P_TO_C fields are zero then there is no Instant and the Instant field is reserved for future use.



2.4.2.24 LL_MIN_USED_CHANNELS_IND

The format of the CtrData field is as shown in [Figure 2.43](#).

CtrData	
PHYS (1 octet)	MinUsedChannels (1 octet)

Figure 2.43: CtrData field of the LL_MIN_USED_CHANNELS_IND PDU

The LL_MIN_USED_CHANNELS_IND consists of two fields:

- The PHYS field shall be set to the PHY(s) for which the Peripheral has a minimum number of used channels requirement. The PHYS field consists of 8 bits as specified in [Table 2.21](#). At least one bit in the field shall be set to 1.
- The MinUsedChannels field contains the minimum number of channels to be used on the specified PHY. The MinUsedChannels field shall have a value in the range 2 to 37.

2.4.2.25 LL_CTE_REQ

The format of the CtrData field is shown in [Figure 2.44](#).

CtrData		
MinCTELenReq (5 bits)	RFU (1 bit)	CTETypeReq (2 bits)

Figure 2.44: CtrData field of the LL_CTE_REQ PDU

The LL_CTE_REQ PDU CtrData consists of two fields:

- MinCTELenReq shall contain the minimum length of the Constant Tone Extension (see [Section 2.5.1](#)) requested from the remote device, in 8 μ s units. The value of the field shall be in the range 2 to 20.
- CTETypeReq shall contain the type of the Constant Tone Extension requested from the remote device as specified in [Table 2.22](#).

Value	Meaning
0	AoA Constant Tone Extension
1	AoD Constant Tone Extension with 1 μ s slots
2	AoD Constant Tone Extension with 2 μ s slots
3	Reserved for future use

Table 2.22: CTETypeReq field bit meanings



2.4.2.26 LL_CTE_RSP

The LL_CTE_RSP PDU does not have a CtrData field.

2.4.2.27 LL_PERIODIC_SYNC_IND

The format of the CtrData field is shown in [Figure 2.45](#).

CtrData									
ID (2 octets)	SyncInfo (18 octets)	connEvent Count (2 octets)	lastPaEvent Counter (2 octets)	SID (4 bits)	AType (1 bit)	SCA (3 bits)	PHY (1 octet)	AdvA (6 octets)	syncConnEvent Count (2 octets)

Figure 2.45: CtrData field of the LL_PERIODIC_SYNC_IND PDU

The LL_PERIODIC_SYNC_IND PDU CtrData consists of ten fields:

- ID shall be set to an identifier provided by the Host. This is for use by higher-level protocols and its value is not specified or used by this specification.
- SyncInfo has the meaning and format specified in [Section 2.3.4.6](#), except that the reference point for syncPacketWindowOffset is the anchor point of the nearest connection event with the counter value specified in the connEventCount field and a zero offset does not have a special meaning.
- connEventCount shall be set to a connection event counter value that meets the requirement $\text{currEvent} - 2^{14} < \text{connEventCount} < \text{currEvent} + 2^{14} \pmod{65536}$, where currEvent is the counter value for the connection event when the LL_PERIODIC_SYNC_IND PDU is being transmitted (or retransmitted).
- lastPaEventCounter shall be set to the paEventCounter applying to the AUX_SYNC_IND PDU used to determine the contents of the SyncInfo; the device sending this PDU shall have actually transmitted or received the AUX_SYNC_IND PDU. The lastPaEventCounter field and the PeriodicEventCounter field of the SyncInfo shall be equal, shall have a difference of 1 ($\pmod{65536}$), or shall represent times not more than 5 seconds apart.
- SID shall be set to the Advertising SID subfield of the advertising set pointing to the periodic advertising.
- AType shall be 0 if the AdvA field holds a public address and 1 if it holds a random address.
- SCA shall be set to indicate the sleep clock accuracy of the device sending this PDU. The value shall be represented in the same way as in the CONNECT_IND PDU (see [Section 2.3.3.1](#)).
- PHY shall be set to indicate the PHY used by the periodic advertising. The bit corresponding to the PHY (as specified in [Table 2.21](#)) shall be set to 1 and the remaining bits to 0.



- If the advertiser's address in the advertising set pointing to the periodic advertising is a resolvable private address, AdvA shall be set to any resolvable private address that was generated using the same IRK. Otherwise, AdvA shall be set to the advertiser's address in the advertising set.
- syncConnEventCount shall be set to the connection event counter for the connection event that the sending device used in determining the contents of this PDU. This shall be a connection event where the sending device received a packet from the device it will send the LL_PERIODIC_SYNC_IND PDU to and, if the sending device is the Peripheral on the piconet containing those two devices, it used the received packet to synchronize its anchor point (see Section 4.5.7).

Note: This implies that the connection must be established before this PDU can be transmitted.

2.4.2.28 LL_CLOCK_ACCURACY_REQ and LL_CLOCK_ACCURACY_RSP

The format of the CtrData field is shown in Figure 2.46.

CtrData
SCA (1 octet)

Figure 2.46: CtrData field of the LL_CLOCK_ACCURACY_REQ and LL_CLOCK_ACCURACY_RSP PDUs

The SCA field shall indicate the current *central*SCA (if the PDU is sent by the Central) or *peripheral*SCA (if the PDU is sent by the Peripheral) used to determine the worst case sleep clock accuracy of the sending device as defined in Section 4.2.2. The format of this field is identical to the SCA field in the CONNECT_IND PDU (see Section 2.3.3.1).

2.4.2.29 LL_CIS_REQ

The format of the CtrData field is shown in Figure 2.47.

CtrData				
LSB				
CIG_ID (1 octet)	CIS_ID (1 octet)	PHY_C_To_P (1 octet)	PHY_P_To_C (1 octet)	
CtrData (continued)				
Max_SDU_C_To_P (12 bits)	RFU (3 bits)	Framed (1 bit)	Max_SDU_P_To_C (12 bits)	RFU (4 bits)



CtrData (continued)			
SDU_Interval_C_To_P (20 bits)	RFU (4 bits)	SDU_Interval_P_To_C (20 bits)	RFU (4 bits)

CtrData (continued)			
Max_PDU_C_To_P (2 octets)	Max_PDU_P_To_C (2 octets)	NSE (1 octet)	Sub_Interval (3 octets)

CtrData (continued)				
BN_C_To_P (4 bits)	BN_P_To_C (4 bits)	FT_C_To_P (1 octet)	FT_P_To_C (1 octet)	ISO_Interval (2 octets)

CtrData (continued)			MSB
CIS_Offset_Min (3 octets)	CIS_Offset_Max (3 octets)	connEventCount (2 octets)	

Figure 2.47: CtrData field of the LL_CIS_REQ PDU

The LL_CIS_REQ CtrData consists of the following fields:

- CIG_ID shall be set to the CIG identifier as defined in [Section 4.5.14](#).
- CIS_ID shall be set to the CIS identifier as defined in [Section 4.5.13.1](#)
- PHY_C_To_P shall be set to indicate the PHY that shall be used from the Central to the Peripheral, as defined in [Table 2.21](#). Exactly 1 bit shall be set.
- PHY_P_To_C shall be set to indicate the PHY that shall be used from the Peripheral to the Central, as defined in [Table 2.21](#). Exactly 1 bit shall be set.
- Max_SDU_C_To_P shall be set to the maximum size of an SDU, in octets, from the Central's Host.
- Framed shall be set to 0 for unframed Data PDUs and 1 for framed Data PDUs.
- Max_SDU_P_To_C shall be set to the maximum size of an SDU, in octets, from the Peripheral's Host.
- SDU_Interval_C_To_P shall be set to the time, in microseconds, between two consecutive SDUs from the Central's Host.
- SDU_Interval_P_To_C shall be set to the time, in microseconds, between two consecutive SDUs from the Peripheral's Host.
- Max_PDU_C_To_P shall be set to the maximum payload size, in octets, from the Central to the Peripheral. The value shall be between 0 and 251 octets. This field shall be set to 0 if and only if BN_C_To_P is set to 0.



- **Max_PDU_P_To_C** shall be set to the maximum payload size, in octets, from the Peripheral to the Central. The value shall be between 0 and 251 octets. This field shall be set to 0 if and only if **BN_P_To_C** is set to 0.
- **NSE** shall be set to the maximum number of subevents in each CIS event. The value shall be between 1 and 31.
- **Sub_Interval** shall be set to the time, in microseconds, between the start of a subevent and the start of the next subevent for that CIS in the same CIS event. The value shall be set to 0 if the **NSE** field is set to 1; otherwise the value shall be at least 400 μ s and shall be less than **ISO_Interval**.
- **BN_C_To_P** shall be set to the **BN** parameter value used from the Central to Peripheral, as defined in [Section 4.5.13.2](#). The value shall be between 0 and 15.
- **BN_P_To_C** shall be set to the **BN** parameter value used from the Peripheral to Central, as defined in [Section 4.5.13.2](#). The value shall be between 0 and 15.
- **FT_C_To_P** shall be set to the **FT** parameter value used from the Central to the Peripheral, as defined in [Section 4.5.13.2](#). The value shall be between 1 and 255.
- **FT_P_To_C** shall be set to the **FT** parameter value used from the Peripheral to the Central, as defined in [Section 4.5.13.2](#). The value shall be between 1 and 255.
- **ISO_Interval** shall be set to the time between two consecutive CIS anchor points in units of 1.25 ms. The value shall be between 4 and 3200 (i.e. 5 ms to 4 s).
- **CIS_Offset_Min** shall be set to the proposed minimum time, in microseconds, between the ACL anchor point of the connection event with the connection event counter equal to *connEventCount* and the first CIS anchor point. The value shall be at least 500 μ s.
- **CIS_Offset_Max** shall be set to the proposed maximum time, in microseconds, between the ACL anchor point of the connection event with the connection event counter equal to *connEventCount* and the first CIS anchor point. The value shall be greater than or equal to **CIS_Offset_Min** and less than **connInterval**. **CIS_Offset_Max** should be less than $(\text{connInterval} - ((\text{NSE} - 1) \times \text{Sub_Interval} + \text{MPT_C} + \text{T_IFS} + \text{MPT_P} + \text{T_MSS}))$, where **MPT_C** and **MPT_P** are defined in [Section 4.5.13.1](#). For the first CIS in a CIG it should be less than $(\text{connInterval} - (\text{CIG_Sync_Delay} + \text{T_MSS}))$.
- **connEventCount** shall be set to a connection event counter value that meets the requirement $\text{currEvent} - 2^{14} < \text{connEventCount} < \text{currEvent} + 2^{14} \pmod{65536}$, where *currEvent* is the counter value for the connection event where the PDU containing this field is being transmitted or retransmitted. **connEventCount** should be set to a value greater than *currEvent* of the event in which the LL_CIS_REQ PDU is first transmitted.



2.4.2.30 LL_CIS_RSP

The format of the CtrData field is shown in [Figure 2.48](#).

CtrData		
CIS_Offset_Min (3 octets)	CIS_Offset_Max (3 octets)	connEventCount (2 octets)

Figure 2.48: CtrData field of the LL_CIS_RSP PDU

The LL_CIS_RSP CtrData field consists of three fields which have the same meaning as the corresponding fields in the LL_CIS_REQ PDU.

2.4.2.31 LL_CIS_IND

The format of the CtrData field is shown in [Figure 2.49](#).

CtrData				
AA (4 octets)	CIS_Offset (3 octets)	CIG_Sync_Delay (3 octets)	CIS_Sync_Delay (3 octets)	connEventCount (2 octets)

Figure 2.49: CtrData field of the LL_CIS_IND PDU

The LL_CIS_IND PDU CtrData consists of the following fields:

- AA shall be set to the Access Address of the CIS, generated by the Link Layer following the rules specified in [Section 2.1.2](#).
- CIS_Offset shall be set to the time, in microseconds, from the ACL anchor point of the connection event that is referenced by *connEventCount* to the first CIS anchor point.
- CIG_Sync_Delay shall be set to the value of CIG_Sync_Delay, as defined in [Section 4.5.14.1](#), in microseconds.
- CIS_Sync_Delay shall be set to the value of CIS_Sync_Delay, as defined in [Section 4.5.14.1](#), in microseconds.
- *connEventCount* shall be set to a connection event counter value that meets the requirement $currEvent - 2^{14} < connEventCount < currEvent + 2^{14} \pmod{65536}$, where *currEvent* is the ACL connection event counter value for the connection event where the LL_CIS_IND PDU is being transmitted. *connEventCount* should be set to a value greater than *currEvent* of the event in which the LL_CIS_IND PDU is first transmitted.



2.4.2.32 LL_CIS_TERMINATE_IND

The format of the CtrData field is shown in [Figure 2.50](#).

CtrData		
CIG_ID (1 octet)	CIS_ID (1 octet)	ErrorCode (1 octet)

Figure 2.50: CtrData field of the LL_CIS_TERMINATE_IND PDU

The LL_CIS_TERMINATE_IND PDU CtrData consists of three fields:

- CIG_ID shall be set to the identifier of the CIG containing the CIS being terminated.
- CIS_ID shall be set to the identifier of the CIS being terminated.
- ErrorCode shall be set to inform the peer why the CIS is about to be terminated (see [\[Vol 1\] Part F, Controller Error Codes](#) for a list of error codes and descriptions).

2.4.2.33 LL_POWER_CONTROL_REQ

The format of the CtrData field is shown in [Figure 2.51](#).

CtrData		
PHY (1 octet)	Delta (1 octet)	TxPower (1 octet)

Figure 2.51: CtrData field of the LL_POWER_CONTROL_REQ PDU

The LL_POWER_CONTROL_REQ CtrData consists of three fields:

- PHY shall be set to indicate the PHY for which the request is being made. The bit corresponding to the PHY (as specified in [Table 2.23](#)) shall be set to 1 and the remaining bits to 0.

Bit number	Meaning
0	LE 1M PHY
1	LE 2M PHY
2	LE Coded PHY with S=8 data coding
3	LE Coded PHY with S=2 data coding
All other bits	Reserved for future use

Table 2.23: PHY field bit meanings

- Delta shall be set to the requested change in the recipient's transmit power level, in dB, for the PHY indicated. The value is a signed integer: a positive value indicates a request to increase the transmit power level, a negative



value indicates a request to decrease it, and zero indicates that no change is being requested. A value of 0x7F indicates a request to increase to the maximum power level.

- TxPower shall be set to the sender's transmit power level for the PHY indicated. The value is in dBm, represented as a signed integer. When set to 127, it indicates that the value is unavailable. It shall not be set to 126.

2.4.2.34 LL_POWER_CONTROL_RSP

The format of the CtrData field is shown in [Figure 2.52](#).

CtrData					
Min (1 bit)	Max (1 bit)	RFU (6 bits)	Delta (1 octet)	TxPower (1 octet)	APR (1 octet)

Figure 2.52: CtrData field of the LL_POWER_CONTROL_RSP PDU

The LL_POWER_CONTROL_RSP CtrData consists of five fields:

- Min shall be set if the sender is currently at the minimum supported power level.
- Max shall be set if the sender is currently at the maximum supported power level.
 Note: if Min and Max are both set then the sender has a single fixed transmit power level.
- Delta shall be set to the actual change in the sender's transmit power level, in dB, that the sender has made for the PHY requested. The value is a signed integer, with a positive value indicating a power increase, and a negative value indicating a power decrease. Zero indicates that there was no change.
- TxPower shall be set to the sender's transmit power level for the PHY requested. The value is in dBm, represented as a signed integer. When set to 127, it indicates that the value is unavailable. When set to 126, it indicates that the sender is not currently managing power for the requested PHY; in this case all other fields shall be ignored.
- APR (Acceptable Power Reduction) shall be set to the maximum decrease in output power level of the peer device in dB, for the PHY requested, that is acceptable to the device sending this PDU. When set to 0xFF, it indicates that the sender is unable to determine a value.



2.4.2.35 LL_POWER_CHANGE_IND

The format of the CtrData field is shown in [Figure 2.53](#).

CtrData					
PHY (1 octet)	Min (1 bit)	Max (1 bit)	RFU (6 bits)	Delta (1 octet)	TxPower (1 octet)

Figure 2.53: CtrData field of the LL_POWER_CHANGE_IND PDU

The LL_POWER_CHANGE_IND CtrData consists of five fields:

- PHY shall be set to indicate the PHY(s) for which the power level has changed, using the values listed in [Table 2.23](#). The PHY field may have more than one bit set if the other fields have the same values for the PHYs being reported.
- Min shall be set if the sender is currently at the minimum supported power level.
- Max shall be set if the sender is currently at the maximum supported power level.

Note: if Min and Max are both set then the sender has a single fixed transmit power level.

- Delta shall be set to the change in the sender's transmit power level, if any, for the PHY(s) indicated. The value is a signed integer in dB, with a positive value indicating a power increase, and a negative value indicating a power decrease. Zero indicates that there was no change.
- TxPower shall be set to the sender's transmit power level for the PHY(s) indicated. The value is in dBm, represented as a signed integer. When set to 127, it indicates that the value is unavailable. When set to 126, it indicates that the sender has stopped managing power for the indicated PHY(s); in this case all other fields shall be ignored.

2.4.2.36 LL_SUBRATE_REQ PDU

The format of the CtrData field is shown in [Figure 2.54](#).

CtrData				
SubrateFactorMin (2 octets)	SubrateFactor- Max (2 octets)	Max_Latency (2 octets)	Continuation- Number (2 octets)	Timeout (2 octets)

Figure 2.54: CtrData field of the LL_SUBRATE_REQ PDU

The LL_SUBRATE_REQ CtrData consists of five fields:

- The SubrateFactorMin field shall be set to the minimum requested *connSubrateFactor*, as defined in [Section 4.5.1](#).



- The *SubrateFactorMax* field shall be set to the maximum requested *connSubrateFactor*, as defined in [Section 4.5.1](#).
- The *Max_Latency* field shall be set to the maximum requested *connPeripheralLatency*, as defined in [Section 4.5.1](#), in subrated events. The same maximum shall apply irrespective of the subrating factor actually chosen. The value of *SubrateFactorMax* × (*Max_Latency* + 1) shall be less than or equal to than 500.
- The *ContinuationNumber* field shall be set to the minimum requested *connContinuationNumber*, as defined in [Section 4.5.1](#).
- The *Timeout* field shall be set to indicate the requested *connSupervisionTimeout* value, as defined in [Section 4.5.2](#), in the following manner: *connSupervisionTimeout* = *Timeout* × 10 ms.

2.4.2.37 LL_SUBRATE_IND PDU

The format of the *CtrData* field is shown in [Figure 2.55](#).

CtrData				
SubrateFactor (2 octets)	SubrateBaseEvent (2 octets)	Latency (2 octets)	Continuation- Number (2 octets)	Timeout (2 octets)

Figure 2.55: *CtrData* field of the LL_SUBRATE_IND PDU

The LL_SUBRATE_IND *CtrData* consists of five fields:

- The *SubrateFactor* field shall be set to the new *connSubrateFactor*, as defined in [Section 4.5.1](#), to be used on the connection.
- The *SubrateBaseEvent* field shall be set to the new *connSubrateBaseEvent*, as defined in [Section 4.5.1](#), to be used on the connection.
- The *Latency* field shall be set to the new *connPeripheralLatency* in subrated events, as defined in [Section 4.5.1](#), to be used on the connection.
- The *ContinuationNumber* field shall be set to the new *connContinuation-Number*, as defined in [Section 4.5.1](#), to be used on the connection.
- The *Timeout* field shall be set to indicate the new *connSupervisionTimeout* value, as defined in [Section 4.5.2](#), in the following manner: *connSupervisionTimeout* = *Timeout* × 10 ms.



2.4.2.38 LL_CHANNEL_REPORTING_IND

The format of the CtrData field is shown in [Figure 2.56](#).

CtrData		
Enable (1 octet)	Min_Spacing (1 octet)	Max_Delay (1 octet)

Figure 2.56: CtrData field of the LL_CHANNEL_REPORTING_IND

The LL_CHANNEL_REPORTING_IND CtrData consists of three fields:

- Enable shall be set to indicate whether channel classification reporting needs to be enabled or disabled as specified in [Table 2.24](#).

Value	Meaning
0x00	Disable channel classification reporting
0x01	Enable channel classification reporting
All other values	Reserved for future use

Table 2.24: Enable field values

- Min_Spacing shall be set to indicate, in units of 200 ms, the minimum amount of time from the last LL_CHANNEL_STATUS_IND PDU that was sent before the next LL_CHANNEL_STATUS_IND PDU may be sent. The value shall be between 5 (1 second) and 150 (30 seconds).
- Max_Delay shall be set to indicate, in units of 200 ms, the maximum amount of time between the change in the channel classification being detected by a Peripheral and its generation of an LL_CHANNEL_STATUS_IND PDU. The value shall be between 5 (1 second) and 150 (30 seconds). Max_Delay shall be greater than or equal to Min_Spacing.

2.4.2.39 LL_CHANNEL_STATUS_IND

The format of the CtrData field is shown in [Figure 2.57](#).

CtrData
Channel_Classification (10 octets)

Figure 2.57: CtrData field of the LL_CHANNEL_STATUS_IND



The LL_CHANNEL_STATUS_IND CtrData consists of one field:

- Channel_Classification has the type uint2[37]. The nth (numbering from 0) element defines the classification of data channel index n. The value of each element indicates:
 - 0 = *unknown*
 - 1 = *good*
 - 2 = reserved for future use
 - 3 = *bad*

2.4.2.40 LL_PERIODIC_SYNC_WR_IND

The format of the CtrData field is shown in [Figure 2.58](#).

CtrData					
CtrData of LL_PERIODIC_SYNC_ IND (34 octets)	RspAA (4 octets)	numSub- events (1 octet)	sub- event- Interval (1 octet)	response- SlotDelay (1 octet)	response- SlotSpacing (1 octet)

Figure 2.58: CtrData field of the LL_PERIODIC_SYNC_WR_IND PDU

The LL_PERIODIC_SYNC_WR_IND PDU CtrData consists of five fields:

- The CtrData of LL_PERIODIC_SYNC_IND field has the meaning and format specified in [Section 2.4.2.27](#).
- The RspAA field shall be set to the Access Address to be used by the device when it transmits a response packet to the periodic advertiser.
- The numSubevents field shall be set to the number of subevents.
- The subeventInterval field shall be set to the time in 1.25 ms units from the start of one subevent to the start of the next subevent.
- The responseSlotDelay field shall be set to the time in 1.25 ms units from the start of one subevent to the first response slot.
- responseSlotSpacing shall be set to the time in 0.125 ms units from the start of one response slot to the start of the next response slot.

2.5 CONSTANT TONE EXTENSION AND IQ SAMPLING

2.5.1 Constant Tone Extension structure and types

The Constant Tone Extension has a variable length; it shall be at least 16 μs and not greater than 160 μs. The contents are a constantly modulated series of 1s and no whitening shall be applied to them.



The first 4 μs of the Constant Tone Extension are termed the guard period and the next 8 μs are termed the reference period. After the reference period, the Constant Tone Extension consists of a sequence of alternating switch slots and sample slots, each either 1 μs or 2 μs long as specified by the Host. The 2- μs -long switch and sample slots are mandatory to support; the 1- μs -long switch and sample slots are optional to support. However, if a device supports 1- μs -long switch and sample slots, it shall support them on all supported PHYs that allow Constant Tone Extensions. The structure of the Constant Tone Extension is shown in Figure 2.59.

The Constant Tone Extension can be one of two types: AoA or AoD.

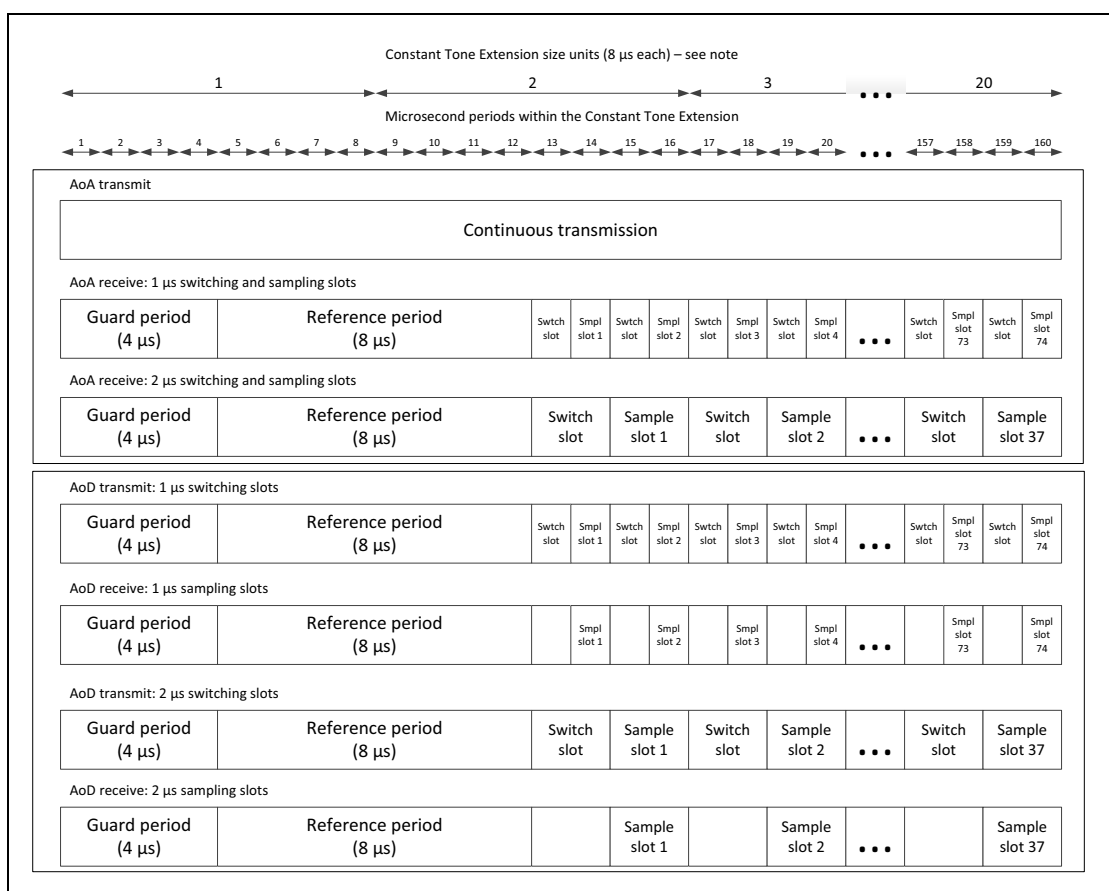


Figure 2.59: Constant Tone Extension structure

Note: See Section 2.4.2.25 for examples of the use of these units.



2.5.2 CTEInfo field

When present, the CTEInfo field is one octet with the format shown in [Figure 2.60](#).

CTEInfo		
CTETime (5 bits)	RFU (1 bit)	CTEType (2 bits)

Figure 2.60: CTEInfo field

The presence of the CTEInfo field indicates that the packet includes a Constant Tone Extension.

The CTETime field defines the length of the Constant Tone Extension in 8 μ s units. The value of the CTETime field shall be between 2 and 20; all other values are reserved for future use.

The CTEType field defines the type of the Constant Tone Extension and the duration of the switching slots. The value of the field is specified in [Table 2.25](#) and the various possible formats are specified in [Section 2.5.1](#).

CTEType value	Description
0	AoA Constant Tone Extension
1	AoD Constant Tone Extension with 1 μ s slots
2	AoD Constant Tone Extension with 2 μ s slots
3	Reserved for future use

Table 2.25: CTEType field encoding

2.5.3 Transmitting Constant Tone Extensions

When transmitting a packet that contains an AoA Constant Tone Extension, the transmitter shall not switch antennae. When transmitting a packet that contains an AoD Constant Tone Extension, the transmitter shall perform antenna switching at the rate and according to the switching pattern configured by the Host (see [\[Vol 6\] Part A, Section 5](#)).

A device that supports transmitting Constant Tone Extensions shall be able to transmit a Constant Tone Extension that is at least 16 μ s long.

2.5.4 IQ sampling

When requested by the Host, the receiver shall perform IQ sampling when receiving a valid packet that contains a Constant Tone Extension and may perform IQ sampling when receiving a packet that contains a Constant Tone



Extension but an incorrect CRC. The remainder of this section shall apply whenever the receiver performs IQ sampling on a packet.

When receiving a packet that contains an AoD Constant Tone Extension, the receiver does not need to switch antennae. When receiving a packet that contains an AoA Constant Tone Extension, the receiver shall perform antenna switching at the rate and according to the switching pattern configured by the Host (see [Vol 6] Part A, Section 5). In both cases, the receiver shall take an IQ sample each microsecond during the reference period and an IQ sample each sample slot (thus there will be 8 reference IQ samples, 1 to 37 IQ samples with 2 μ s slots, and 2 to 74 IQ samples with 1 μ s slots, meaning 9 to 82 samples in total). The Controller shall report the IQ samples to the Host. The receiver shall sample the entire Constant Tone Extension, irrespective of length, unless this conflicts with other activities.

Note: In order to obtain good quality data for angle estimation, IQ samples should be taken at the same point within each IQ Sampling Window; this starts 0.125 μ s after the beginning and ends 0.125 μ s before the end of each microsecond period (see Figure 2.61). If 2 μ s sample slots are used, the sampling should be done during the latter microsecond (see Figure 2.62).

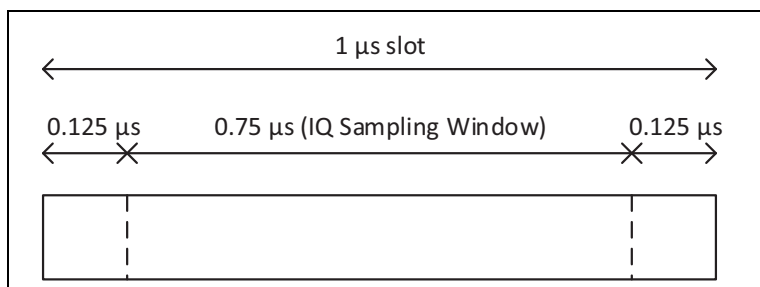


Figure 2.61: IQ Sampling Window for 1 μ s sample slots

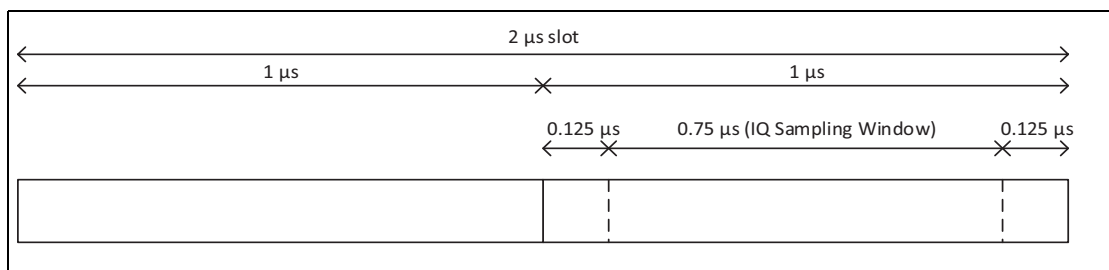


Figure 2.62: IQ Sampling Window for 2 μ s sample slots

A Controller that supports IQ Sampling shall be able to measure the RSSI of received packets on any antenna used for receiving the body of the packet (in both cases excluding any Constant Tone Extension) and be able to receive and sample a Constant Tone Extension of any valid length.

If the Controller has insufficient resources to perform sampling on all Constant Tone Extensions it receives, it may stop sampling after it has reported at least



one set of IQ samples to the Host. If the Controller stops sampling, it shall report this to the Host and should resume sampling at the start of the next periodic advertising event or connection event. If the required resources are not yet available, then the Controller may, but should not, report this to the Host again.

2.6 ISOCHRONOUS PHYSICAL CHANNEL PDU

The Isochronous Physical Channel PDU has a 16-bit header, a variable size payload, and may include a Message Integrity Check (MIC) field.

The Isochronous Physical Channel PDU is shown in [Figure 2.63](#).

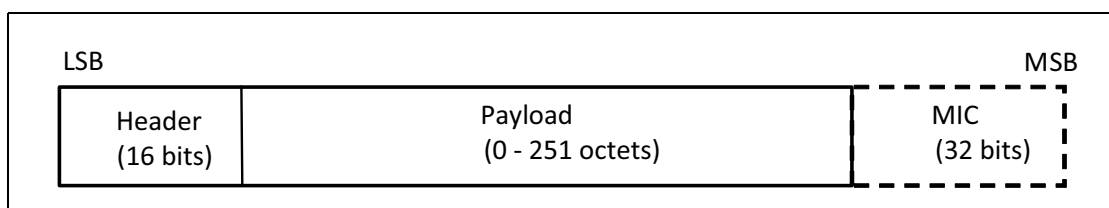


Figure 2.63: Isochronous Physical Channel PDU

The format of the Header field and the payload depends on the type of the Isochronous Physical Channel PDU that is being used. When used on a CIS, an Isochronous Physical Channel PDU shall be a Connected Isochronous PDU as defined in [Section 2.6.1](#). When used on a BIS, it shall be a Broadcast Isochronous PDU as defined in [Section 2.6.2](#).

The MIC field shall be included in all PDUs that contain a non-zero length Payload that are sent on an encrypted CIS or BIS. The MIC shall be calculated as specified in [\[Vol 6\] Part E, Section 1](#). The MIC is a 4-octet field. The MIC field shall not be included in any PDU that is sent on an unencrypted CIS or BIS or that has a zero-length payload.

2.6.1 Connected Isochronous PDU

A Connected Isochronous PDU (CIS PDU) shall be either a CIS Data PDU or a CIS Null PDU. A CIS Data PDU is used to carry isochronous data. A CIS Null PDU is used when there is no data to be sent.

The Header field of the Connected Isochronous PDU is shown in [Figure 2.64](#).

Header							
LLID (2 bits)	NESN (1 bit)	SN (1 bit)	CIE (1 bit)	RFU (1 bit)	NPI (1 bit)	RFU (1 bit)	Length (8 bits)

Figure 2.64: Connected Isochronous PDU header



The 16-bit Header field consists of the fields that are shown in [Table 2.26](#).

- The LLID field is RFU in a CIS Null PDU.
- The Next Expected Sequence Number (NESN) field shall be set as defined in [Section 4.5.9](#).
- The Sequence Number (SN) field shall be set as defined in [Section 4.5.9](#) in a CIS Data PDU. This field is RFU in a CIS Null PDU.
- The Close Isochronous Event (CIE) field shall be set as defined in [Section 4.5.13.4](#).
- The Null PDU Indicator (NPI) field shall be set for every CIS Null PDU.
- The Length field shall be set to 0 for a CIS Null PDU.

Field Name	Description
LLID	The LLID field indicates the type of content of the payload field of the CIS Data PDU. 0b00 = Unframed CIS Data PDU; end fragment of an SDU or a complete SDU. 0b01 = Unframed CIS Data PDU; start or continuation fragment of an SDU. 0b10 = Framed CIS Data PDU; one or more SDU segments. 0b11 = Reserved for future use.
NESN	Next Expected Sequence Number
SN	Sequence Number
CIE	Close Isochronous Event
NPI	The Null PDU Indicator (NPI) indicates whether the packet is a CIS Data PDU or a CIS Null PDU.
Length	The Length field indicates the size, in octets, of the Payload and MIC, if included.

Table 2.26: Connected Isochronous PDU header field

See [\[Vol 6\] Part G, Section 1](#) for more details about fragmentation and segmentation of SDUs.

2.6.2 Broadcast Isochronous PDU

A Broadcast Isochronous PDU (BIS PDU) shall be either a BIS Data PDU or BIG Control PDU. A BIS Data PDU is used to carry isochronous data. A BIG Control PDU is used to send control information for a BIG.



The Header field of the Broadcast Isochronous PDU is shown in [Figure 2.65](#).

Header				
LLID (2 bits)	CSSN (3 bits)	CSTF (1 bit)	RFU (2 bits)	Length (8 bits)

Figure 2.65: Broadcast Isochronous PDU header

The 16-bit header consists of the fields that are specified in [Table 2.27](#).

The Control Subevent Sequence Number (CSSN) field shall be set as defined in [Section 4.4.6.7](#).

The Control Subevent Transmission Flag (CSTF) field shall be set as defined in [Section 4.4.6.7](#).

Field Name	Description
LLID	The LLID field indicates the type of content of the payload field of the PDU. 0b00 = Unframed BIS Data PDU; end fragment of an SDU or a complete SDU. 0b01 = Unframed BIS Data PDU; start or continuation fragment of an SDU. 0b10 = Framed BIS Data PDU; one or more SDU segments. 0b11 = BIG Control PDU.
CSSN	Control Subevent Sequence Number
CSTF	Control Subevent Transmission Flag
Length	The Length field indicates the size, in octets, of the Payload and MIC, if included.

Table 2.27: Broadcast Isochronous PDU header field

See [\[Vol 6\] Part G, Section 1](#) for more details about fragmentation and segmentation of SDUs.

2.6.3 BIG Control PDU

A BIG Control PDU shall be used to send control information in a BIG (see [Section 4.4.6.7](#)).

The format of the Payload field in a BIG Control PDU is shown in [Figure 2.66](#).

Payload	
Opcode (1 octet)	CtrData (0 to 250 octets)

Figure 2.66: Format of the Payload of a BIG Control PDU



A BIG Control PDU shall not have the Length field (see [Section 2.6.2](#)) set to 0b00000000.

The Opcode field identifies different types of BIG Control PDUs, as defined in [Table 2.28](#).

The CtrData field in the BIG Control PDU is specified by the Opcode field and is defined in the following subsections. For a given Opcode the length of the CtrData field is fixed.

Where the description of a field within the CtrData field gives a range of valid values or other restrictions on a value (e.g. that field X is less than field Y), all other values shall be reserved for future use. The range may be directly specified in the relevant subsection for the BIG Control PDU or indirectly, possibly in a section referenced by that subsection.

Except where explicitly stated otherwise, all fields within the CtrData field in a BIG Control PDU that hold an integer shall be interpreted as unsigned.

Opcode	BIG Control PDU Name
0x00	BIG_CHANNEL_MAP_IND
0x01	BIG_TERMINATE_IND
0xF8 to 0xFB	Reserved for future use (used for specification development purposes)
All other values	Reserved for future use

Table 2.28: BIG Control PDU opcodes

If a BIG Control PDU is received that is not supported or is reserved for future use, the Link Layer shall ignore it.

If a BIG Control PDU is received with the wrong length or with invalid CtrData fields, the Link Layer may continue with the relevant BIG Control procedure with an implementation-specific interpretation of the data (e.g., if the PDU is too long, it can ignore the extra data; if a field is out of range, it can use the nearest permitted value). If it does not continue the procedure, it shall ignore the PDU.

2.6.3.1 BIG_CHANNEL_MAP_IND

The format of the CtrData field is shown in [Figure 2.67](#).

CtrData	
ChM (5 octets)	Instant (2 octets)

Figure 2.67: CtrData field of the BIG_CHANNEL_MAP_IND PDU



The BIG_CHANNEL_MAP_IND CtrData consists of two fields:

- The ChM field shall be set to the channel map indicating Used and Unused data channels. Every channel is represented with a bit positioned as per the channel index defined by [Section 1.4.1](#). The format of this field is identical to the ChM field in the CONNECT_IND PDU (see [Section 2.3.3.1](#)).
- The Instant field shall be set to the value of $bigEventCounter_{15-0}$ (see [Section 4.4.6.3](#)) when the channel map takes effect.

2.6.3.2 BIG_TERMINATE_IND

The format of the CtrData field is shown in [Figure 2.68](#).

CtrData	
Reason (1 octet)	Instant (2 octets)

Figure 2.68: CtrData field of the BIG_TERMINATE_IND PDU

The BIG_TERMINATE_IND CtrData consists of two fields:

- The Reason field shall be set to inform the Synchronized Receiver(s) why the BIG is about to be terminated. See [\[Vol 1\] Part F, Controller Error Codes](#) for a list of error codes and descriptions.
- The Instant field shall be set to the value of $bigEventCounter_{15-0}$ (see [Section 4.4.6.3](#)) when the BIG will be terminated.

3 BIT STREAM PROCESSING

Bluetooth devices shall use the bit stream processing schemes as defined in the following sections.

Figure 3.1 shows the bit stream processing for PDUs on the LE Uncoded PHYs.

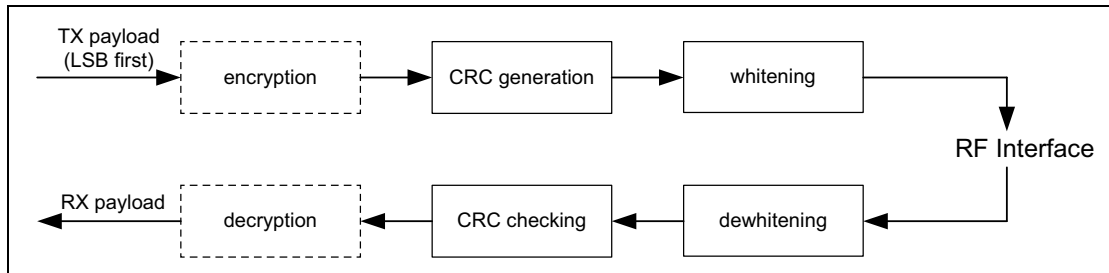


Figure 3.1: Payload bit processes for the LE Uncoded PHYs

Figure 3.2 shows the bit stream processing for PDUs on the LE Coded PHYs.

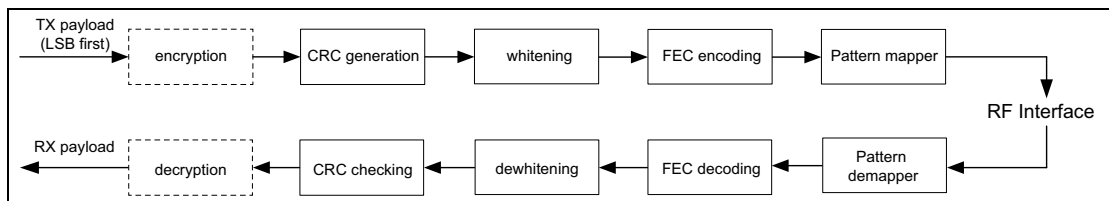


Figure 3.2: Bit stream processing for the LE Coded PHYs

3.1 ERROR CHECKING

At packet reception, the Access Address shall be checked first. If the Access Address is incorrect, the packet shall be rejected, otherwise the packet shall be considered received. If the CRC is incorrect, the packet shall be rejected, otherwise the packet shall be considered successfully received and therefore valid. A packet shall only be processed if the packet is considered valid, except that the receiver may carry out IQ sampling (see Section 2.5.4) even if the CRC is incorrect. A packet with an incorrect CRC may cause a connection event to continue, as specified in Section 4.5.1.

3.1.1 CRC generation

The CRC shall be calculated on the PDU of all Link Layer packets. If the PDU is encrypted, then the CRC shall be calculated after encryption of the PDU has been performed.

The CRC polynomial is a 24-bit CRC and all bits in the PDU shall be processed in transmitted order starting from the least significant bit. The polynomial has the form of $x^{24} + x^{10} + x^9 + x^6 + x^4 + x^3 + x + 1$. For every Data Physical Chan-



nel PDU and Connected Isochronous PDU, the shift register shall be preset with the CRC initialization value set for the ACL connection and communicated in the CONNECT_IND or AUX_CONNECT_REQ PDU. For every PDU sent on a periodic advertising train (including AUX_CONNECT_REQ and AUX_CONNECT_RSP PDUs), the shift register shall be preset with the CRCInit value set in the SyncInfo field (see Section 2.3.4.6) that describes the periodic advertising train. For all other Advertising Physical Channel PDUs, the shift register shall be preset with 0x555555. For every Broadcast Isochronous PDU, the shift register shall be preset with the BaseCRCInit value from the BIGInfo data (see Section 4.4.6.11) in the most significant 2 octets and the BIS_Number for the specific BIS in the least significant octet. For BIG Control PDUs, the least significant octet shall be 0.

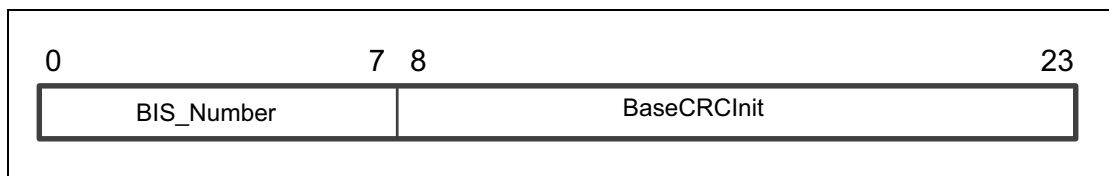


Figure 3.3: Generation of CRCInit for Broadcast Isochronous PDUs

Position 0 shall be set as the least significant bit and position 23 shall be set as the most significant bit of the initialization value. The CRC is transmitted most significant bit first, i.e. from position 23 to position 0 (see Section 1.2).

Figure 3.4 shows an example linear feedback shift register (LFSR) to generate the CRC.

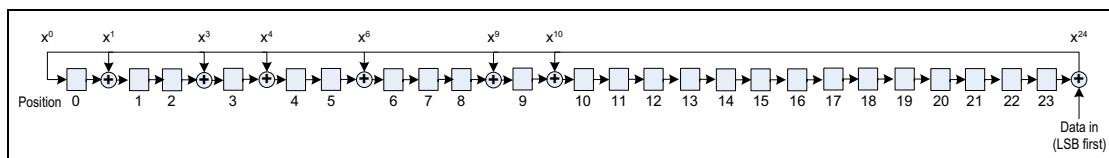


Figure 3.4: The LFSR circuit generating the CRC

3.2 DATA WHITENING

Data whitening is used to avoid long sequences of zeros or ones, e.g., 0b0000000 or 0b1111111, in the data bit stream. Whitening shall be applied on the PDU and CRC of all Link Layer packets and is performed after the CRC generation in the transmitter. No other parts of the packets are whitened. De-whitening is performed before the CRC checking in the receiver (see Figure 3.1).

The whitener and de-whitener are defined the same way, using a 7-bit linear feedback shift register with the polynomial $x^7 + x^4 + 1$. Before whitening or de-whitening, the shift register is initialized with a sequence that is derived from



the physical channel index in which the packet is transmitted in the following manner:

- Position 0 is set to one.
- Positions 1 to 6 are set to the channel index of the channel used when transmitting or receiving, from the most significant bit in position 1 to the least significant bit in position 6.

For example, if the channel index = 23 (0x17), the positions would be set as follows:

- Position 0 = 1
- Position 1 = 0
- Position 2 = 1
- Position 3 = 0
- Position 4 = 1
- Position 5 = 1
- Position 6 = 1

Figure 3.5 shows an example linear feedback shift register (LFSR) to generate data whitening.

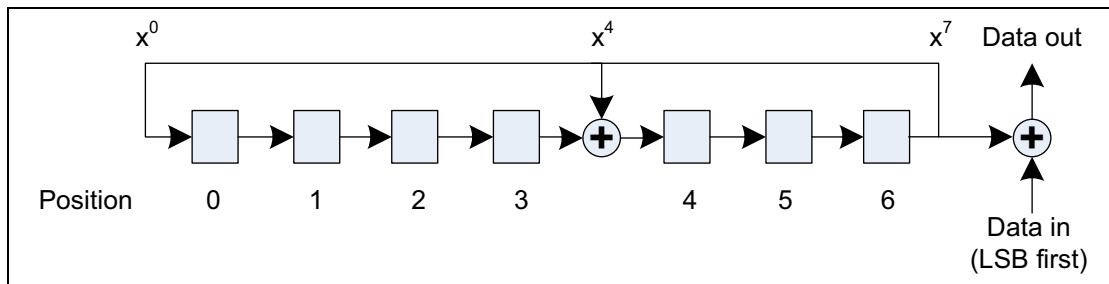


Figure 3.5: The LFSR circuit to generate data whitening

3.3 CODING

Coding only applies to the LE Coded PHY.

Coding consists of two processes. Data is first coded by the Forward Error Correction (FEC) convolutional encoder as defined in Section 3.3.1 and then spread by the pattern mapper as defined in Section 3.3.2.

3.3.1 Forward Error Correction encoder

The convolutional FEC encoder uses a non-systematic, non-recursive rate $\frac{1}{2}$ code with constraint length $K=4$. The generator polynomials are:

$$G_0(x) = 1 + x + x^2 + x^3$$

$$G_1(x) = 1 + x^2 + x^3$$



The bit coming from generator polynomial $G_0 (a_0)$ is transmitted first; the bit coming from generator polynomial $G_1 (a_1)$ is transmitted second.

The initial state of the convolutional FEC encoder is set to all zeros. An input sequence of three consecutive zeros always brings the convolutional FEC encoder back to its original state. This sequence is known as the termination sequence.

Figure 3.6 illustrates operation of the convolutional FEC encoder. Squares represent bit storage operations and circles represent XOR.

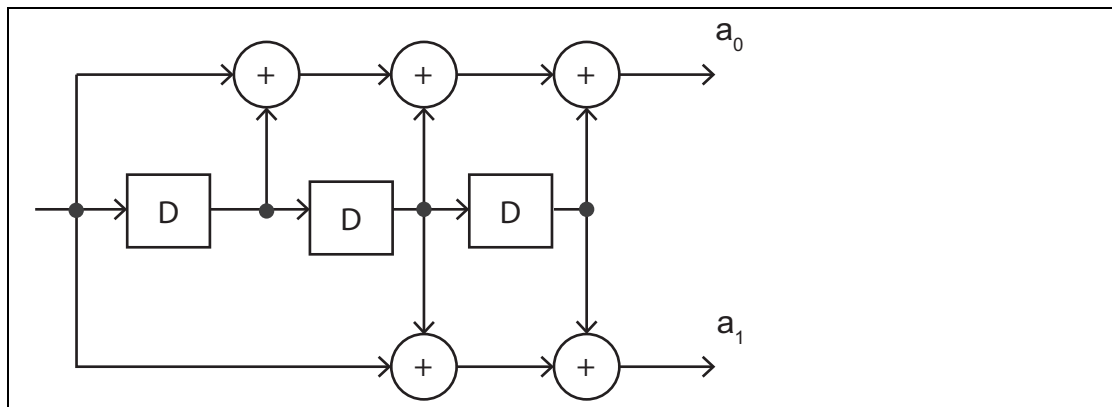


Figure 3.6: Convolutional Forward Error Correction encoder

3.3.2 Pattern mapper

The pattern mapper converts each bit from the convolutional FEC encoder into P symbols, where the value of P depends on the coding scheme in use, according to Table 3.1 (the output sequences are in transmission order):

Input bit from the convolutional FEC encoder	Output sequence when P=1 (used by S=2)	Output sequence when P=4 (used by S=8)
0	0	0011
1	1	1100

Table 3.1: Pattern mapper inputs and outputs

4 AIR INTERFACE PROTOCOL

The air interface protocol consists of the multiple access scheme, device discovery and Link Layer connection methods.

4.1 FRAME SPACE

4.1.1 Inter Frame Space

The time interval between two consecutive packets on the same channel index is called the Inter Frame Space. It is defined as the time from the end of the last bit of the previous packet to the start of the first bit of the subsequent packet. The Inter Frame Space is designated “T_IFS” and shall be 150 μs.

4.1.2 Minimum AUX Frame Space

The minimum time interval between a packet containing an AuxPtr and the auxiliary packet it indicates is called the Minimum AUX Frame Space. It is defined as the minimum time from the end of the last bit of the packet containing the AuxPtr to the start of the auxiliary packet. The Minimum AUX Frame Space is designated “T_MAFS” and shall be 300 μs.

Figure 4.1 illustrates an example where the Minimum AUX Frame Space applies.

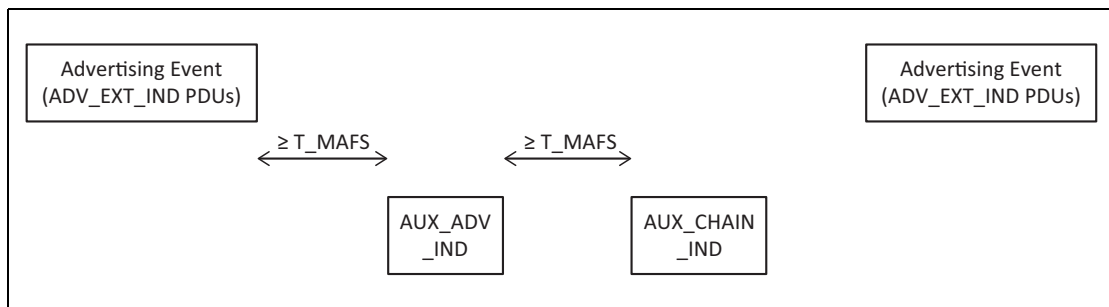


Figure 4.1: Example where the Minimum AUX Frame Space applies

4.1.3 Minimum Subevent Space

The minimum time interval between the end of the last bit of the last packet in one subevent and the start of the first bit of the first packet in the next subevent is called the Minimum Subevent Space.

The Minimum Subevent Space is designated ‘T_MSS’ and shall be 150 μs.

Figure 4.2 illustrates an example where the Minimum Subevent Space applies in a CIS.

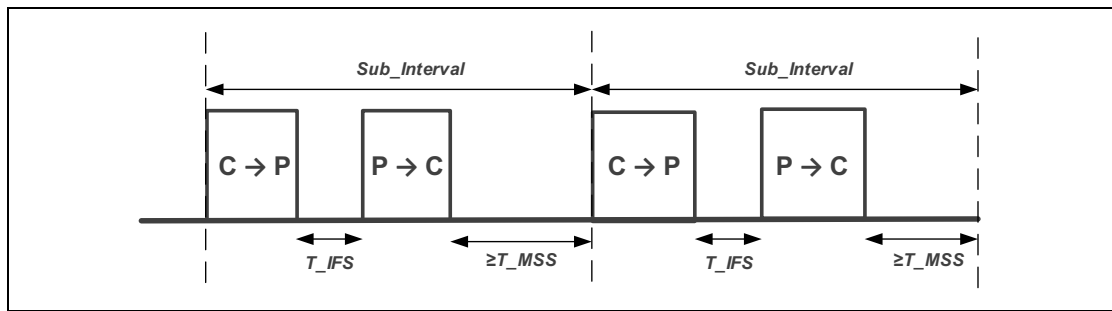


Figure 4.2: Minimum Subevent Space in a CIS

Figure 4.3 illustrates an example where the Minimum Subevent Space applies in a BIS.

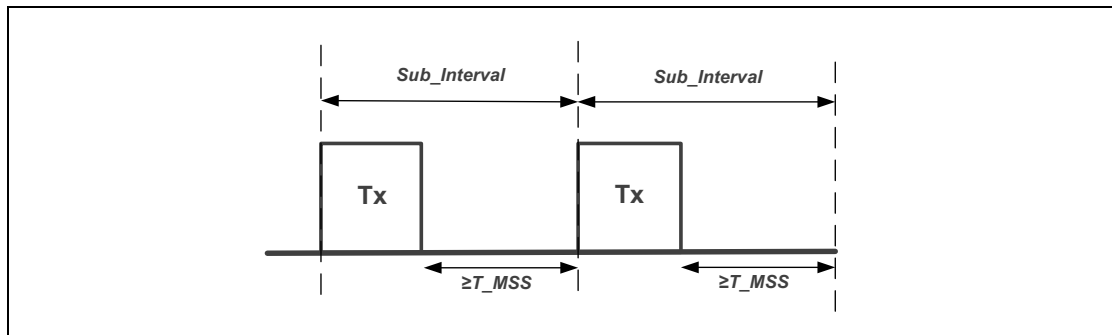


Figure 4.3: Minimum Subevent Space in a BIS

4.2 TIMING REQUIREMENTS

The Link Layer shall use one of two possible clock accuracies: in the circumstances described in Section 4.2.1 it shall use the active clock accuracy; otherwise it shall use the sleep clock accuracy.

The clock accuracies specified in this section apply to the time between two specific events and only apply to devices when they transmit a packet. The clock used to time packet reception may have any accuracy but the receiving device will need to allow for this. For example, if the receiving device clock has an accuracy of 2000 ppm and a maximum jitter of 45 μ s, then, for an event 1 second after the last event where timings were synchronized, the device will need to start listening at least 2045 μ s earlier and continue listening until at least 2045 μ s later than it would otherwise have done.

An implementation may use either a single clock or several clocks. For example, one implementation could use a single clock with variable accuracy whereas a different implementation could use one clock that only runs during periods where an event timed using active clock accuracy is pending and another clock with lower accuracy that runs at all times.



4.2.1 Active clock accuracy

The average timing of packet transmission during a connection, BIG, or CIG event, during active scanning, during a periodic advertising with responses subevent, and when requesting a connection is determined using the active clock accuracy, with a drift less than or equal to ± 50 ppm. All instantaneous timings shall not deviate more than $2 \mu\text{s}$ from the average timing.

Note: This means that the start of a packet is transmitted $150 \pm 2 \mu\text{s}$ after the end of the previous packet.

More specifically, these requirements apply to the intervals between:

- adjacent packets in the same connection event
- packets in the same BIG or CIG event, even if they are in different BISes or CISes or in different subevents
- an advertising packet and a packet containing a SCAN_REQ, AUX_SCAN_REQ, CONNECT_IND, or AUX_CONNECT_REQ PDU
- a packet containing a SCAN_REQ and the response packet containing a SCAN_RSP PDU
- a packet containing an AUX_SCAN_REQ PDU and the response packet containing an AUX_SCAN_RSP PDU
- a packet containing an AUX_CONNECT_REQ PDU and the response packet containing an AUX_CONNECT_RSP PDU
- packets in the same periodic advertising with responses subevent.

4.2.2 Sleep clock accuracy

The average timing of all other activities is determined using the sleep clock accuracy, with a drift less than or equal to ± 500 ppm. All instantaneous timings shall not deviate more than $16 \mu\text{s}$ from the average timing. The worst-case drift and instantaneous deviation of the active clock shall be less than or equal to those of the sleep clock.

In the specification, the Central's current sleep clock accuracy is referred to as *centralSCA* and the Peripheral's current sleep clock accuracy as *peripheralSCA*.

On a connection a device shall not use a sleep clock accuracy that is worse than the worst case indicated in the SCA field of the most recently sent LL_CLOCK_ACCURACY_REQ or LL_CLOCK_ACCURACY_RSP PDU. If the Link Layer has not initiated or responded to the Sleep Clock Accuracy Update procedure (see [Section 5.1.14](#)) in the current connection, the Central shall use a sleep clock accuracy that is better than or equal to the worst case indicated in the SCA field of the CONNECT_IND or AUX_CONNECT_REQ PDU used to create the connection and the Peripheral shall use a sleep clock accuracy of ± 500 ppm or better.



Note: These requirements therefore apply to the time between ACL anchor points (see Section 4.5.7), between CIS anchor points (see Section 4.5.14.1), and between BIG anchor points (see Section 4.4.6.4), as well as to the advertising and periodic advertising intervals and the advDelay value (see Section 4.4.2.2), all intervals between packets in the same extended advertising event or periodic advertising event, and all offsets specified by the AuxPtr and SyncInfo fields of advertising PDUs.

Note: This means that a 2 s connection interval with a 500 ppm Central sleep clock accuracy will require a window widening either side of the anchor point of 1 ms plus 16 μs plus any allowance for the accuracy of the clock actually used by the Peripheral during the connection interval.

4.2.3 Range delay

Where two devices are more than a few meters apart the time taken for a signal to propagate between them will be significant compared with the Active Clock Accuracy defined in Section 4.2.1. When a device is listening for a packet that might be up to D meters away, it should listen for an extra $2D * 4 \text{ ns}$ after the nominal latest time (e.g. $T_{IFS} + 2 \mu\text{s}$) that the packet would have been transmitted.

($1/c \approx 3.3 * \text{refractive index ns/m}$, so 4 ns gives a conservative allowance.)

Figure 4.4 shows the range delays relative to a Central packet transmission.

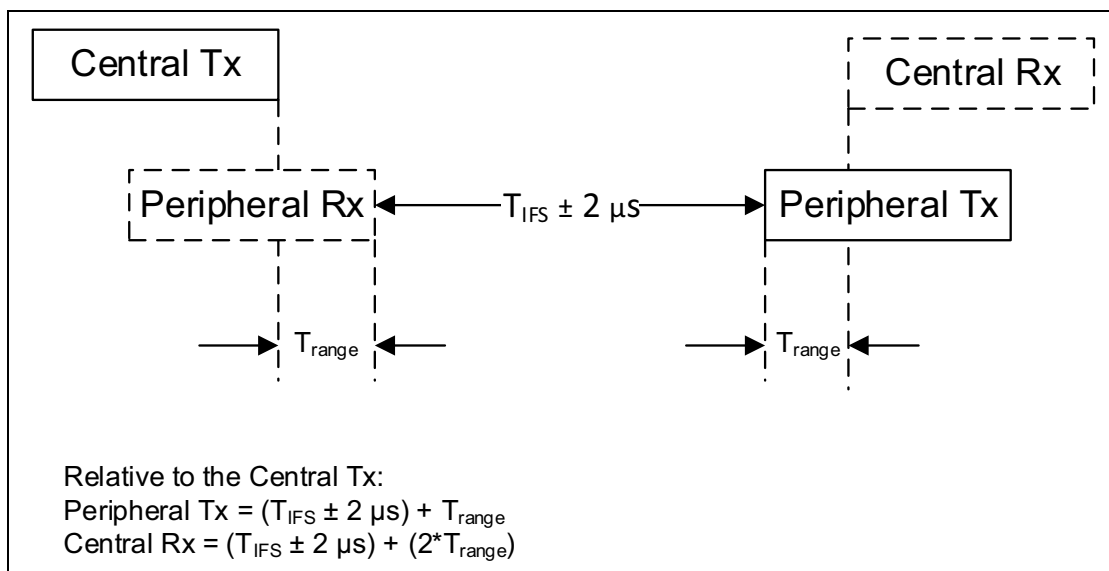


Figure 4.4: Range delays relative to a Central packet transmission

4.2.4 Window widening

In various circumstances a Link Layer is expecting to receive a packet within a certain window (extending from *receiveWindowStart* to *receiveWindowEnd*) or at a certain time (in which case *receiveWindowStart* and *receiveWindowEnd*



are both that time) but, because of active clock accuracies (see [Section 4.2.1](#)) and sleep clock accuracies (see [Section 4.2.2](#)), there is uncertainty as to the exact timing of that window at the sending Link Layer. The recipient shall therefore adjust its listening time to allow for this uncertainty.

The increase in listening time is called the window widening. Assuming the clock inaccuracies are purely given in parts per million (ppm), it is calculated as follows:

$$transmitterAllowance = (txCA / 1000000) * (receiveWindowEnd - timeOfLastSync) + J \mu s$$

where J shall be 2 when the active clock applies and 16 when the sleep clock applies and the other parameters are specified in [Table 4.1](#).

Note: *txCA* is the clock accuracy of the transmitting Link Layer and *timeOfLastSync* is the most recent time that the receiving Link Layer was able to synchronize its clock to that of the transmitting Link Layer.

Activity	<i>txCA</i>	<i>timeOfLastSync</i>	<i>receiveWindowStart</i>	<i>receiveWindowEnd</i>
Receiving any auxiliary packet	CA field of the relevant AuxPtr field	Start of the packet containing that field	AUX Offset from the start of that packet	One Offset Unit after <i>receiveWindowStart</i>
Advertiser performing connection setup - Peripheral role	SCA field of the relevant CONNECT_IND or AUX_CONNECT_REQ PDU.	Start of the packet containing that PDU.	Start of the transmit window (see Section 4.5.3)	End of the transmit window
Peripheral performing connection parameter update	Current <i>centralSCA</i> (see Section 4.5.7)	Last ACL or CIS anchor point where a packet was received from the Central	Start of the transmit window (see Section 5.1.1 and Section 5.1.7)	End of the transmit window
Peripheral receiving the next connection event	Current <i>centralSCA</i> (see Section 4.5.7)	Last ACL or CIS anchor point where a packet was received from the Central	Time of the scheduled connection event anchor point	
Adjacent packets in the same connection event or CIS subevent	50	End of the previous packet	T_IFS after <i>timeOfLastSync</i>	
Synchronization state - synchronizing	SCA field of the relevant SyncInfo field	Start of the packet containing that field	syncPacketWindowOffset from the start of that packet	One Offset Unit after <i>receiveWindowStart</i>

Table 4.1: Parameters for window widening



Activity	txCA	timeOfLastSync	receiveWindow Start	receiveWindow End
Synchronization state - synchronized	txCA used while synchronizing	Start of the last packet received containing an AUX_SYNC_IND PDU	Time of the scheduled periodic advertising event	
Synchronization state - listening subevent	txCA used while synchronizing	Start of the last packet received containing an AUX_SYNC_SUBEVENT_IND or AUX_CONNECT_REQ PDU	Time of the scheduled periodic advertising subevent	
Periodic Advertising state - listening to response slot	50	Start of the last packet transmitted containing an AUX_SYNC_SUBEVENT_IND PDU	Time of the scheduled subevent response slot	
Peripheral receiving the next CIS event	Current <i>central</i> /SCA (see Section 4.5.7)	Last ACL anchor point or the start of a CIS subevent where a packet was received from the Central	Time of the scheduled CIS subevent	
Reception of a BIS Data PDU in the first BIS event	SCA from SyncInfo	Start of the last packet received on the associated periodic advertising train	Offset in BIG-Info from the start of that packet plus any BIS_Spacing applied	One offset Unit after ReceiveWindowStart
Reception of the next BIS event	txCA used while synchronizing	Start of the last packet received in any BIS event on the same BIG	Time of the scheduled BIS subevent	
Reception of subsequent sub-events	50	Start of the last subevent where a packet was received	Time of the start of the scheduled subevent	

Table 4.1: Parameters for window widening

The rows relating to a Peripheral receiving a CIS event or a device receiving a BIS event only apply until a packet has been received in the event from the correct sender, regardless of a CRC match, and the timing re-synchronized. Once this has happened, the row "Reception of subsequent sub-events" applies for the rest of the event.



If the recipient has more accurate information about the transmitting Link Layer's clock, it may select a smaller value for *transmitterAllowance*.

$$\text{windowWidening} = \text{transmitterAllowance} + \text{receiverAllowance}$$

where *receiverAllowance* is the allowance made by the receiver for its own clock accuracy.

If the recipient listens for a packet, it shall listen starting at *windowWidening* before *receiveWindowStart* and until *windowWidening* after *receiveWindowEnd*.

The *windowWidening* in an ACL connection shall be smaller than $((\text{connInterval} \div 2) - T_IFS \mu\text{s})$. If the *windowWidening* reaches $((\text{connInterval} \div 2) - T_IFS \mu\text{s})$ in magnitude, the connection should be considered lost (see [Section 4.5.12](#)).

If the *windowWidening* for a CIS or BIS with $\text{NSE} < 3$ reaches $((\text{ISO_Interval} \div 2) - T_IFS) \mu\text{s}$ in magnitude, the Link Layer should terminate the CIS (see [Section 5.1.16](#)) or stop synchronization with the BIG.

If the *windowWidening* for a CIS or BIS with $\text{NSE} \geq 3$ reaches *Sub_Interval* in magnitude, the Link Layer should terminate the CIS or stop synchronization with the BIG. The value of *Sub_Interval* should be chosen to ensure that this limit is not reached within $2 \times \text{ISO_Interval}$. For example, if *txCA* equals 150 ppm and *receiverAllowance* equals *transmitterAllowance*, the parameters should be chosen so that $\text{Sub_Interval} \div \text{ISO_Interval} > 0.0006$.

4.3 LINK LAYER DEVICE FILTERING

The Link Layer may perform device filtering based on the device address of the peer device. Link Layer device filtering is used by the Link Layer to minimize the number of devices to which it responds.

A Link Layer shall support Link Layer device filtering unless it only supports the Advertising state and only supports non-connectable and non-scannable advertising.

The filter policies for the Advertising state, Scanning state, Initiating state, and Periodic Sync Establishment are independent of each other. When the Link Layer is in the Advertising state, the advertising filter policy shall be used. When the Link Layer is in the Scanning state, the scanning filter policy shall be used. When the Link Layer is in the Initiating state, the initiator filter policy shall be used. When the Link Layer is performing Periodic Sync Establishment, the periodic sync establishment filter policy shall be used. If the Link Layer does not support the Advertising state, Scanning state, Initiating state, or Periodic Sync Establishment, the corresponding filter policy is not required to be supported.



4.3.1 Filter Accept List

The set of devices that the Link Layer uses for device filtering is called the Filter Accept List.

A Filter Accept List contains a set of records used for Link Layer device filtering. A Filter Accept List record contains both the device address and the device address type (public or random). There is also a special device address type "anonymous"; an entry with this type matches all advertisements sent with no address. All Link Layers supporting Link Layer device filtering shall support a Filter Accept List capable of storing at least one record.

On reset, the Filter Accept List shall be empty.

The Filter Accept List is configured by the Host and is used by the Link Layer to filter advertisers, scanners, or initiators, but not periodic sync establishment. This allows the Host to configure the Link Layer to act on a request without awakening the Host.

All the device filter policies shall use the same Filter Accept List.

4.3.2 Advertising filter policy

The advertising filter policy determines how the advertiser's Link Layer processes scan and/or connection requests.

When the Link Layer is using non-connectable and non-scannable directed advertising events, scannable directed advertising events, and connectable directed advertising events the advertising filter policy shall be ignored. Otherwise the Link Layer shall use one of the following advertising filter policy modes which are configured by the Host:

- The Link Layer shall process scan and connection requests from all devices (i.e. the Filter Accept List is not in use). This is the default on reset.
- The Link Layer shall process connection requests from all devices and shall only process scan requests from devices that are in the Filter Accept List.
- The Link Layer shall process scan requests from all devices and shall only process connection requests from devices that are in the Filter Accept List.
- The Link Layer shall process scan and connection requests only from devices in the Filter Accept List.

Only one advertising filter policy mode per advertising set shall be supported at a time.

4.3.3 Scanning filter policy

The scanning filter policy determines how the scanner's Link Layer processes advertising and scan response PDUs. The Link Layer shall use one of the



following scanning filter policies as selected by the Host. Only one scanning filter policy shall be supported at a time.

There is a choice of two primary filter policies:

- **Unfiltered:** The Link Layer shall process all advertising and scan response PDUs (i.e., the Filter Accept List is not used). This is the default on reset.
- **Filtered:** The Link Layer shall process advertising and scan response PDUs only from devices in the Filter Accept List.

In the basic scanning filter policy mode, a directed advertising PDU accepted by the primary filter policy shall nevertheless be ignored unless either:

- the TargetA field is identical to the scanner's device address, or
- the TargetA field is a resolvable private address, address resolution is enabled, and the address is resolved successfully.

Note: The scanning filter policy does not affect initiation or periodic sync establishment even though they involve scanning for advertising PDUs.

4.3.3.1 Extended scanning filter policies

If the Link Layer supports the extended scanning filter policies, then extended mode shall also be supported. This is identical to basic mode except that a directed advertising PDU accepted by the primary filter policy shall nevertheless be ignored unless either:

- the TargetA field is identical to the scanner's device address, or
- the TargetA field is a resolvable private address.

4.3.4 Initiator filter policy

The initiator filter policy determines how an initiator's Link Layer processes advertising PDUs. The Link Layer shall use one of the following initiator filter policy modes which are configured by the Host:

- The Link Layer shall ignore the Filter Accept List and process connectable advertising PDUs from a specific single device specified by the Host.
- The Link Layer shall process connectable advertising PDUs from all devices in the Filter Accept List.

If the Link Layer receives a connectable directed advertising PDU from an advertiser that is not contained in the Filter Accept List or the single address specified by the Host, the connectable directed advertising PDU shall be ignored.

Only one initiator filter policy mode shall be supported at a time.



4.3.5 Periodic sync establishment filter policy

The periodic sync establishment filter policy determines how a scanner's Link Layer processes advertising PDUs when attempting to synchronize to a periodic advertising train. The Link Layer shall use one of the following periodic sync establishment filter policy modes which are configured by the Host:

- The Link Layer shall ignore the Periodic Advertiser List and process advertising PDUs from a specific single device specified by the Host.
- The Link Layer shall process advertising PDUs from all devices in the Periodic Advertiser List.

If the Link Layer receives an advertising PDU which contains a SyncInfo field from an advertiser that is not contained in the Periodic Advertiser List or the single address specified by the Host, or if the advertising has an Advertising SID which is not the one specified in the list entry or by the Host, the SyncInfo field shall be ignored.

Only one periodic sync establishment filter policy mode shall be supported at a time.

Synchronization to periodic advertising takes place at the same time as scanning, but the filter policies for the two activities are independent. The periodic sync establishment filter policy, and not the scanning filter policy, shall determine which advertising PDUs are used to synchronize to a periodic advertising train (successful synchronization is then reported to the Host). If a received PDU only matches one of the two policies, it shall only be processed for the purpose that uses that policy and not for the other.

The Link Layer shall ignore the Periodic Advertiser List when synchronizing to a periodic advertising train where it received the synchronization information using the Periodic Advertising Sync Transfer procedure (see [Section 5.1.13](#)).

4.4 NON-CONNECTED STATES

The Host may specify which coding to use when transmitting packets on the LE Coded PHY. If it does not, then the Controller determines the coding of each packet. The coding is indicated by the CI as defined in [Section 2.2.3](#) and may be different in each direction and in adjacent packets in a given direction.

4.4.1 Standby state

The Standby state is the default state in the Link Layer. The Link Layer shall not send or receive packets in the Standby state. The Link Layer may leave the Standby state to enter the Advertising state, Scanning state, Initiator state, Synchronization state, or Isochronous Broadcasting state.



4.4.2 Advertising state

The Link Layer shall enter the Advertising state when directed by the Host. When placed in the Advertising state, the Link Layer shall send advertising PDUs (see [Section 2.3.1](#)) in advertising events, periodic advertising events, or both.

Each advertising event is composed of one or more advertising PDUs sent on used primary advertising channel indices. The advertising event shall be closed after one advertising PDU has been sent on each of the used primary advertising channel indices (see [Section 4.4.2.1](#)). Some advertising PDUs in an advertising event may be omitted, causing the advertising event to begin late or close early, or the entire advertising event may be omitted to accommodate other functionality.

The time between two consecutive advertising events is defined in [Section 4.4.2.2](#).

An advertising event can be one of the following types:

- a connectable and scannable undirected event
- a connectable undirected event
- a connectable directed event
- a non-connectable and non-scannable undirected event
- a non-connectable and non-scannable directed event
- a scannable undirected event
- a scannable directed event

At most one advertising PDU shall be sent on each used primary advertising channel index in an advertising event. Unless specified otherwise, the primary advertising channel indices may be utilized in any order. The order may be different in different events.

The advertising event type determines the allowable response PDUs. [Table 4.2](#) specifies the allowable responses for each advertising event.

Connectable and scannable undirected, connectable undirected, and connectable directed events are collectively referred to as connectable events; the remaining events (non-connectable and non-scannable undirected, non-connectable and non-scannable directed, scannable undirected, and scannable directed) are collectively referred to as non-connectable events. Connectable and scannable undirected, scannable undirected, and scannable directed events are collectively referred to as scannable events; the remaining events (non-connectable and non-scannable undirected, non-connectable and



non-scannable directed, connectable undirected, and connectable directed) are collectively referred to as non-scannable events.

Advertising Event Type	Type of PDU being responded to	Allowable response PDUs			
		SCAN_REQ ¹	CONNECT_IND ¹	AUX_SCAN_REQ	AUX_CONNECT_REQ
Connectable and Scannable Undirected event	ADV_IND	YES	YES	NO	NO
Connectable Undirected event	ADV_EXT_IND	NO	NO	NO	NO
	AUX_ADV_IND	NO	NO	NO	YES
Connectable Directed event	ADV_DIRECT_IND	NO	YES ²	NO	NO
	ADV_EXT_IND	NO	NO	NO	NO
	AUX_ADV_IND	NO	NO	NO	YES ²
Non-Connectable and Non-Scannable Undirected event	ADV_NONCONN_IND	NO	NO	NO	NO
	ADV_EXT_IND	NO	NO	NO	NO
	AUX_ADV_IND	NO	NO	NO	NO
Non-Connectable and Non-Scannable Directed event	ADV_EXT_IND	NO	NO	NO	NO
	AUX_ADV_IND	NO	NO	NO	NO
Scannable Undirected event	ADV_SCAN_IND	YES	NO	NO	NO
	ADV_EXT_IND	NO	NO	NO	NO
	AUX_ADV_IND	NO	NO	YES	NO
Scannable Directed event	ADV_EXT_IND	NO	NO	NO	NO
	AUX_ADV_IND	NO	NO	YES ³	NO

Table 4.2: Advertising event types, PDUs used, and allowable response PDUs

1. Not permitted on the LE Coded PHY.
2. Initiators other than the correctly addressed initiator shall not respond.
3. Scanners other than the correctly addressed scanner shall not respond.

If the advertiser receives a PDU for the advertising event that is not explicitly allowed it shall be ignored. If no PDU is received or the received PDU was ignored, the advertiser shall either send an advertising PDU on the next used primary advertising channel index or close the advertising event.

The Controller shall not use two different types of PDU on the primary advertising physical channel in the same advertising event.



4.4.2.1 Advertising channel index selection

Advertising events use three predefined primary advertising physical channels. Primary advertising channel indices are either used or unused.

For AUX_ADV_IND and AUX_CHAIN_IND PDUs, the secondary advertising channel index used in the Channel Index subfield of the AuxPtr field is implementation specific. It is recommended that sufficient channel diversity is used to avoid collisions.

Each periodic advertising train shall have a 16-bit event counter (*paEventCounter*). The initial value of this counter is implementation specific. The counter shall be incremented by one for each Periodic Advertising Interval (see [Section 4.4.2.2.3](#)), whether or not the AUX_SYNC_IND PDU is actually transmitted; the *paEventCounter* shall wrap from 0xFFFF to 0x0000. AUX_SYNC_IND PDUs shall use the Channel Selection Algorithm #2 (see [Section 4.5.8.3](#)) with this event counter.

When periodic advertising subevents are used, the train has a 7-bit value (*paSubEventCounter*). The *paSubEventCounter* is set to 0 at the start of each periodic advertising event and incremented by one for each subevent. AUX_SYNC_SUBEVENT_IND PDUs shall use the Channel Selection Algorithm #2 with the *paEventCounter* and *paSubEventCounter*.

The response slots shall use the same channel as the AUX_SYNC_SUBEVENT_IND packet.

The Link Layer shall use the primary and secondary advertising channel indices as specified by the Host, and the used primary and secondary advertising channel indices shall take effect when the Advertising state is entered. The Link Layer need not use all the secondary channels that the Host has marked as "unknown".

4.4.2.2 Advertising events

Advertising events are defined as one or more advertising PDUs sent on the primary advertising physical channel. At most one PDU shall be sent on each used advertising channel index; usually a PDU is sent on all the used advertising indices in each advertising event. The advertising event can be closed early after a CONNECT_IND is received or when a SCAN_RSP is sent.

Advertising packets sent on the secondary advertising physical channel are not part of the advertising event. Advertising events that use the ADV_EXT_IND PDU may also be part of an extended advertising event. All ADV_EXT_IND PDUs containing an AuxPtr field in the same advertising event shall point to the same AUX_ADV_IND packet.



4.4.2.2.1 Advertising interval

For all undirected advertising events or connectable directed advertising events used in a low duty cycle mode, the time between the start of two consecutive advertising events ($T_{advEvent}$) for the same advertising set (see Section 4.4.2.10) is computed as follows for each advertising event:

$$T_{advEvent} = advInterval + advDelay$$

The advertising interval ($advInterval$) shall be an integer multiple of 0.625 ms in the range 20 ms to 10,485.759375 s.

The $advDelay$ is a (pseudo-)random value with a range 0 ms to 10 ms generated by the Link Layer for each advertising event.

As illustrated in Figure 4.5, the advertising events are perturbed in time using the $advDelay$.

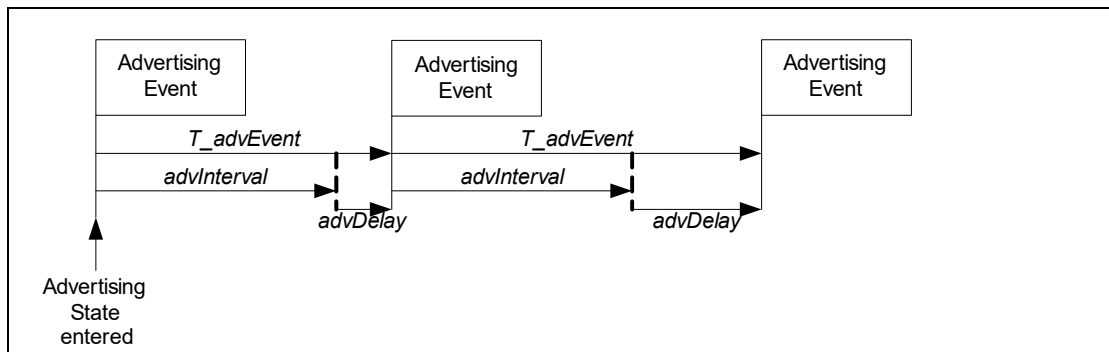


Figure 4.5: Advertising events perturbed in time using $advDelay$

4.4.2.2.2 Extended advertising event

An extended advertising event begins at the start of an advertising event and consists of the PDUs in that advertising event plus their subordinate sets. The extended advertising event ends with the last such PDU.

Multiple extended advertising events may overlap with each other. This can occur when ADV_EXT_IND PDUs containing an AuxPtr field in multiple advertising events point to the same AUX_ADV_IND packet, or when a different advertising event is interposed between the ADV_EXT_IND PDUs and the AUX_ADV_IND PDU.

$T_{advEvent}$, $advInterval$ and $advDelay$ have the same meaning as in Section 4.4.2.2.1.



Figure 4.6 illustrates an example of overlapping extended advertising events.

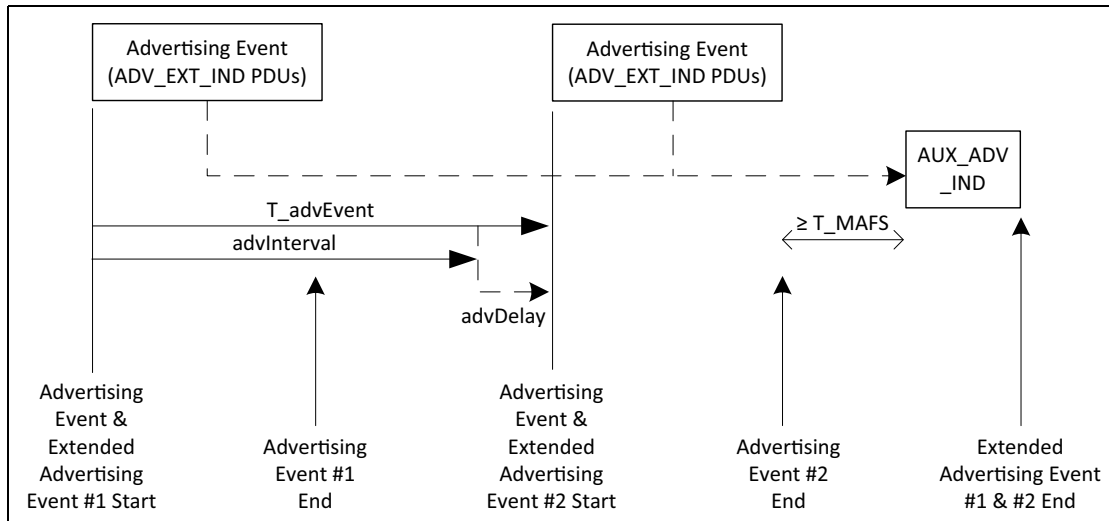


Figure 4.6: Example of overlapping extended advertising events

An auxiliary advertising segment starts with the first AUX_ADV_IND PDU in an extended advertising event and ends at the end of the extended advertising event (an auxiliary advertising segment can belong to more than one extended advertising event). Two auxiliary advertising segments for the same advertising set shall not overlap each other.

Figure 4.7 illustrates an example of auxiliary advertising segments belonging to multiple extended advertising events.

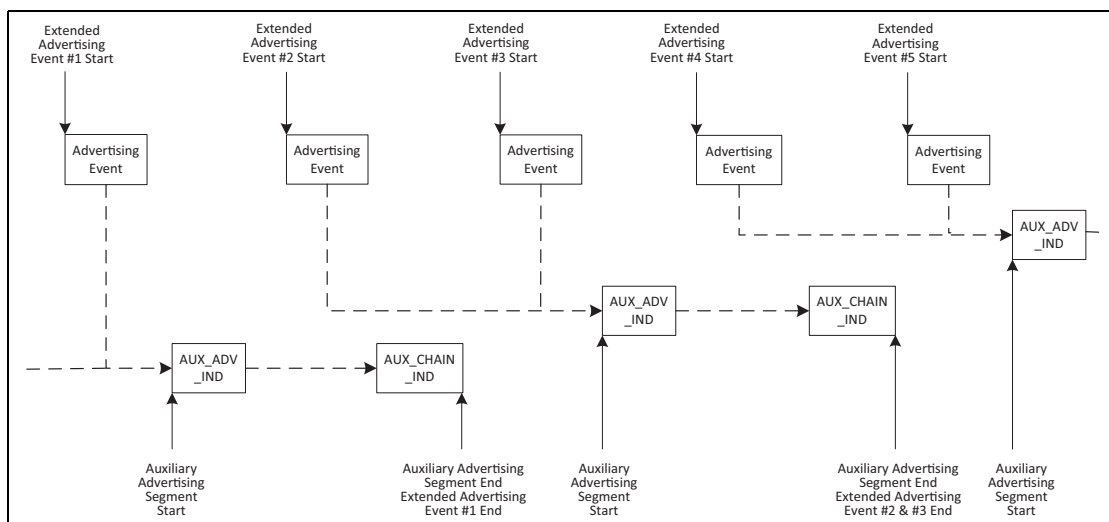


Figure 4.7: Example of auxiliary advertising segments

An advertiser should not space PDUs within the auxiliary advertising segment so that two of them would be within the same receive window. If an advertiser transmits a PDU with an AuxPtr field containing an offset of T milliseconds, then it should not start to transmit any other packet on the same RF channel as



the auxiliary packet within $2.5 \cdot T$ microseconds of the start of the auxiliary packet of the original PDU.

4.4.2.2.3 Periodic advertising events

The Periodic Advertising Interval is the interval between the start of two scheduled AUX_SYNC_IND PDUs from the same advertising set (even if the PDUs are not transmitted for some reason). The Periodic Advertising Interval shall be an integer multiple of 1.25 ms in the range 7.5 ms to 81.91875 s.

A periodic advertising event consists of an AUX_SYNC_IND PDU and its subordinate set.

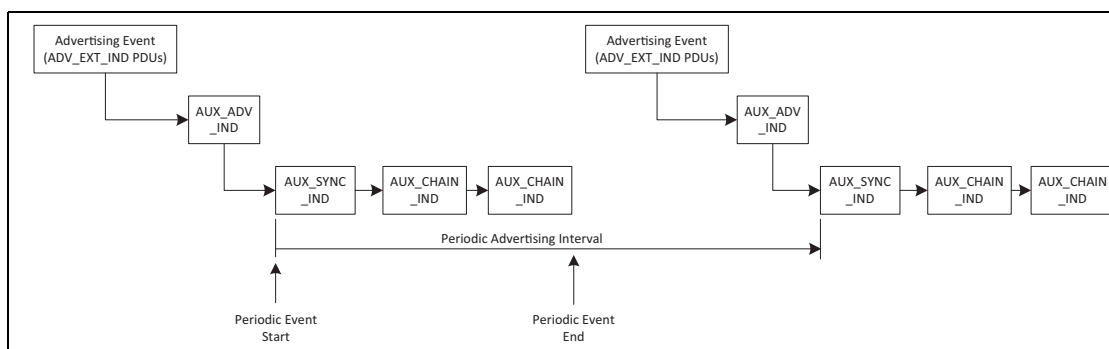


Figure 4.8: Example of periodic advertising events from the same advertising set

Two periodic advertising events for the same periodic advertising train shall not overlap each other. The periodic advertising interval shall not change while the periodic advertising is enabled.

4.4.2.2.4 Periodic advertising with responses events

A periodic advertising with responses event (PAwR event) consists of one or more subevents. Each subevent consists of an AUX_SYNC_SUBEVENT_IND PDU and one or more AUX_SYNC_SUBEVENT_RSP PDUs (see [Figure 4.10](#)).

The duration of the AUX_SYNC_SUBEVENT_IND PDU and the AUX_SYNC_SUBEVENT_RSP PDU shall be smaller than the time available. The gap between the end of one AUX_SYNC_SUBEVENT_IND or AUX_SYNC_SUBEVENT_RSP packet and the start of the next AUX_SYNC_SUBEVENT_IND or AUX_SYNC_SUBEVENT_RSP packet shall be at least T_{IFS} . The AUX_SYNC_SUBEVENT_RSP PDU shall be sent in response to the AUX_SYNC_SUBEVENT_IND PDU in a response slot and subevent provided by the Host. The data in the AUX_SYNC_SUBEVENT_RSP PDU shall contain the response to the data received in the AUX_SYNC_SUBEVENT_IND PDU. The Controller shall send the response no later than the Periodic Advertising Interval after the start of the received AUX_SYNC_SUBEVENT_IND PDU.



The Periodic Advertising Interval is the interval between the start of two scheduled AUX_SYNC_SUBEVENT_IND PDUs with the same subevent number from the same advertising set (even if the PDUs are not transmitted for some reason). The Periodic Advertising Interval shall be an integer multiple of 1.25 ms in the range 7.5 ms to 81.91875 s.

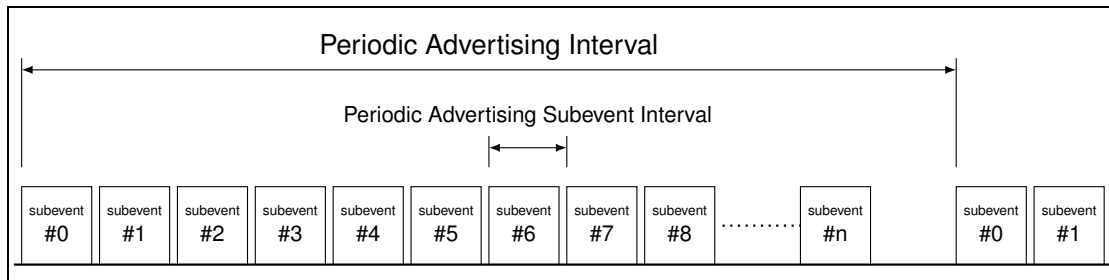


Figure 4.9: Periodic Advertising Subevents

The Periodic Advertising Subevent Interval is the interval between the start of two scheduled adjacent AUX_SYNC_SUBEVENT_IND PDUs in the same PAwR event. The Periodic Advertising Subevent Interval shall be an integer multiple of 1.25 ms in the range 7.5 ms to 318.75 ms. The subevent ends Periodic Advertising Subevent Interval after the start of the subevent. Up to 128 subevents can be used in a Periodic Advertising Interval. The subevent(s) to synchronize to is provided by the Host. If the Host has not provided the subevent(s), the Controller may synchronize with any subevent.

One or more response slots are defined when a device that is synchronized with this periodic advertising train may transmit a response packet. A synchronized device may only transmit a response packet in at most one response slot per subevent. Different synchronized devices may transmit response packets in different response slots in the same subevent. The Periodic Advertising Response Slot Delay is the interval between the start of an AUX_SYNC_SUBEVENT_IND PDU and the first response slot. The Periodic Advertising Response Slot Delay shall be an integer multiple of 1.25 ms in the range 1.25 ms to 317.5 ms. The Periodic Advertising Response Slot Spacing is the interval between the start of two adjacent response slots in a given subevent. The Periodic Advertising Response Slot Spacing shall be an integer multiple of 0.125 ms in the range 0.25 ms to 31.875 ms.

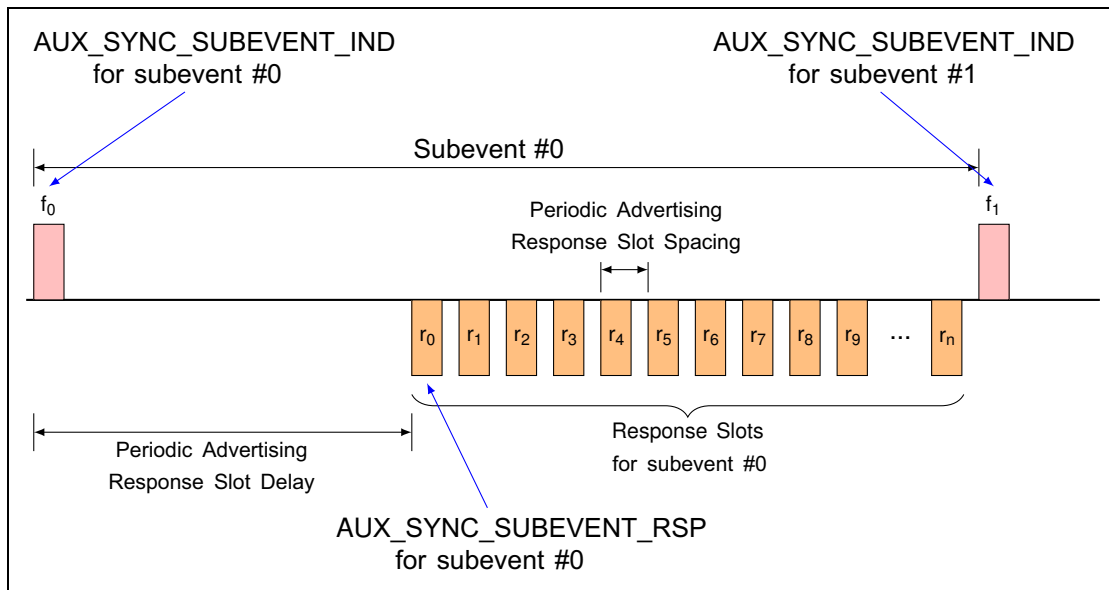


Figure 4.10: Periodic Advertising Subevent Response Slots

Two periodic advertising events for the same PAwR train shall not overlap each other. Two PAwR subevents shall not overlap each other. The Periodic Advertising Interval, Periodic Advertising Subevent Interval, Periodic Advertising Response Slot Delay, and Periodic Advertising Response Slot Interval shall not change while PAwR is enabled for that advertising set.

4.4.2.3 Connectable and scannable undirected event type

When the connectable and scannable undirected advertising event type is used, advertising indications (ADV_IND PDUs) are sent by the Link Layer.

The connectable and scannable undirected advertising event type allows a scanner or initiator to respond with either a scan request or connect request. A scanner may send a scan request (SCAN_REQ PDU) to request additional information about the advertiser. An initiator may send a connect request (CONNECT_IND PDU) to request the Link Layer to enter the Connection state.

The Link Layer shall listen on the same primary advertising channel index for requests from scanners or initiators.

If the advertiser receives a SCAN_REQ PDU that contains its device address from a scanner allowed by the advertising filter policy, it shall reply with a SCAN_RSP PDU on the same primary advertising channel index. After the SCAN_RSP PDU is sent, or if the advertising filter policy did not allow processing the SCAN_REQ PDU, the advertiser shall either move to the next used primary advertising channel index to send another ADV_IND PDU, or close the advertising event.

If the advertiser receives a CONNECT_IND PDU that contains its device address, from an initiator allowed by the advertising filter policy, the Link Layer



shall exit the Advertising state and transition to the Connection state in the Peripheral Role as defined in Section 4.5.5. If the advertising filter policy did not allow processing the received CONNECT_IND PDU, the advertiser shall either move to the next used primary advertising channel index to send another ADV_IND PDU, or close the advertising event.

The time between the beginning of two consecutive ADV_IND PDUs within an advertising event shall be less than or equal to 10 ms. The advertising event shall be closed within the advertising interval.

An illustration of an advertising event using all the primary advertising channel indices and in which no SCAN_REQ or CONNECT_IND PDUs are received is shown in Figure 4.11.

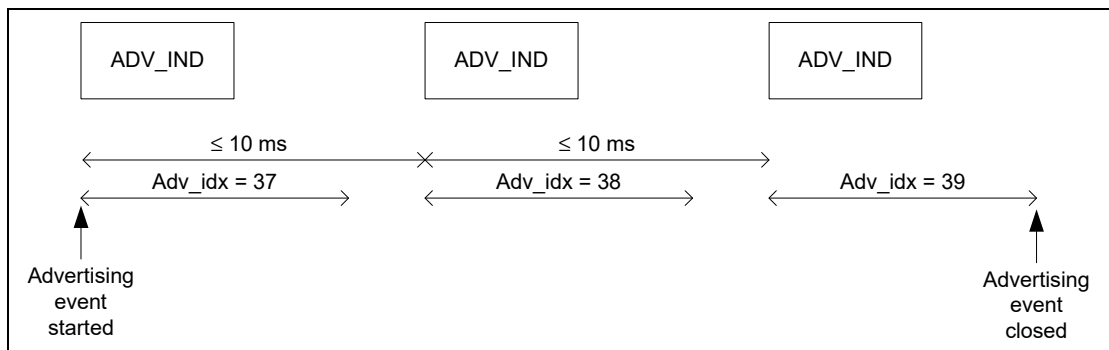


Figure 4.11: Connectable and scannable undirected advertising event with only advertising PDUs

Two illustrations of advertising events using all the primary advertising channel indices during which a SCAN_REQ PDU is received and a SCAN_RSP PDU is sent are shown in Figure 4.12 and in Figure 4.13.

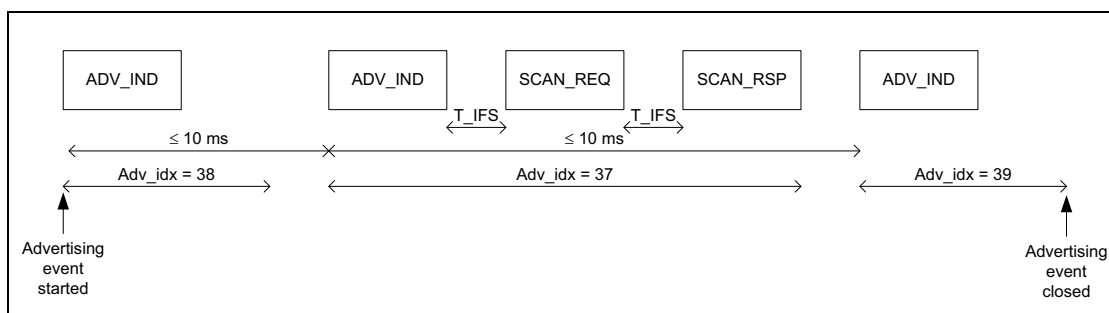


Figure 4.12: Connectable and scannable undirected advertising event with SCAN_REQ and SCAN_RSP PDUs in the middle of an advertising event

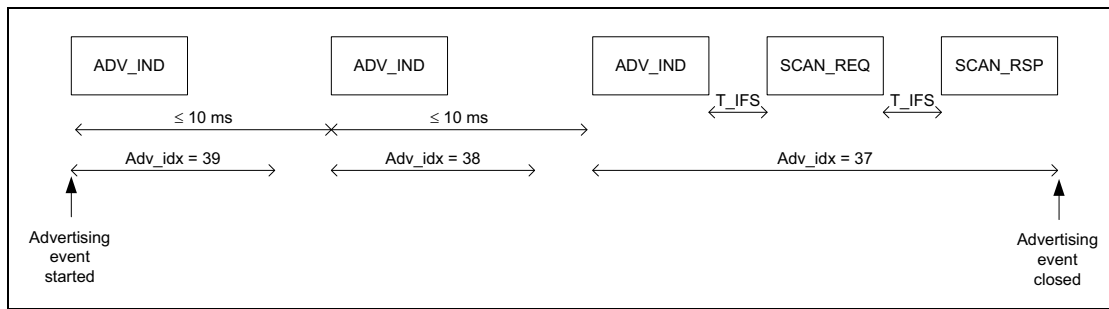


Figure 4.13: Connectable and scannable undirected advertising event with SCAN_REQ and SCAN_RSP PDUs at the end of an advertising event

Figure 4.14 illustrates an advertising event during which a CONNECT_IND PDU is received on the second primary advertising channel index.

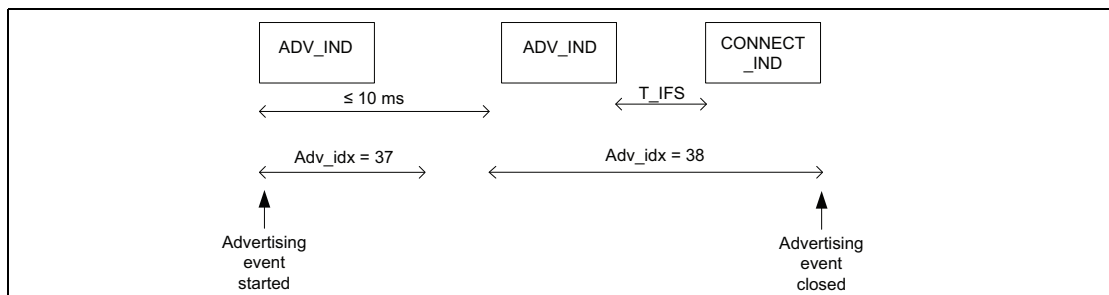


Figure 4.14: Connectable and scannable undirected advertising event when a CONNECT_IND PDU is received

If the Controller supports LL Privacy, then the requirements in Section 6.2.1 shall also be followed.

4.4.2.4 Connectable directed event type

When the connectable directed advertising event type is used, directed advertising indications are sent by the Link Layer.

The connectable directed advertising event type allows an initiator to respond so that both the advertiser and initiator will enter the Connection state.

The connectable directed advertising event type may use either the ADV_DIRECT_IND PDU (see Sections 4.4.2.4.1 to 4.4.2.4.3) or the ADV_EXT_IND PDU (see Section 4.4.2.4.4).

If the Controller supports LL Privacy, then the requirements in Section 6.2.2 shall also be followed.



4.4.2.4.1 Connectable directed event type using ADV_DIRECT_IND

The connectable directed advertising event type using ADV_DIRECT_IND allows an initiator to respond with a connect request on the primary advertising physical channel to establish an ACL connection.

The ADV_DIRECT_IND PDU contains both the initiator's device address and the advertiser's device address. Only the addressed initiator may initiate an ACL connection with the advertiser by sending a CONNECT_IND PDU to the advertiser.

After every ADV_DIRECT_IND PDU sent by the advertiser, the advertiser shall listen for CONNECT_IND PDUs on the same primary advertising channel index. Any SCAN_REQ PDUs received shall be ignored.

If the advertiser receives a CONNECT_IND PDU that contains its device address and the initiator device address is contained in the ADV_DIRECT_IND PDU, the Link Layer shall exit the Advertising state and transition to the Connection state in the Peripheral Role as defined in [Section 4.5.5](#).

Otherwise, the advertiser shall either move to the next used primary advertising channel index to send another ADV_DIRECT_IND PDU, or close the Advertising event.

Connectable directed advertising may be either used in a low duty cycle or high duty cycle mode; these are described in the next two sections. Low duty cycle connectable directed advertising is designed for cases where reconnection with a specific device is required, but time is not of the essence or it is not known if the Central is in range or not. High duty cycle connectable directed advertising is designed for cases in which fast ACL connection setup is essential (for example, a reconnection).

Note: High duty cycle connectable directed advertising is a power and bandwidth intensive advertising scheme that should only be used when fast connection setup is required.

4.4.2.4.2 Low duty cycle connectable directed advertising

In low duty cycle connectable directed advertising, the time between the start of two consecutive ADV_DIRECT_IND PDUs within an advertising event shall be less than or equal to 10 ms. The advertising event shall be closed within the advertising interval.

An illustration of an advertising event using all primary advertising channel indices and in which no CONNECT_IND PDUs are received is shown in [Figure 4.15](#).

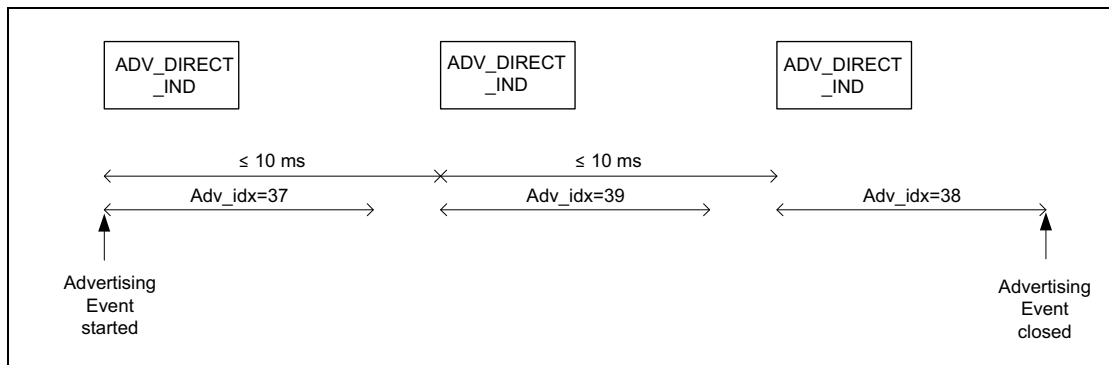


Figure 4.15: Low duty cycle connectable directed advertising event with only advertising PDUs

Figure 4.16 illustrates an advertising event using ADV_DIRECT_IND advertising PDUs during which a CONNECT_IND PDU is received on the second primary advertising channel index.

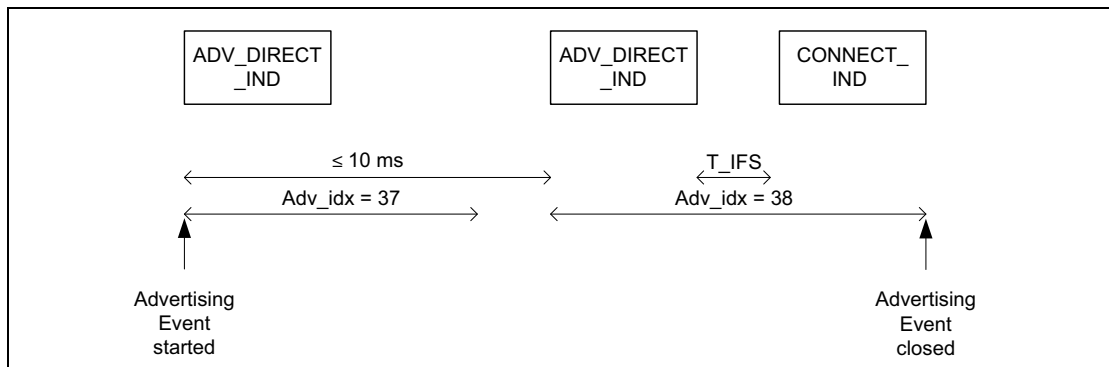


Figure 4.16: Low duty cycle connectable directed advertising event during which a CONNECT_IND PDU is received

4.4.2.4.3 High duty cycle connectable directed advertising

In high duty cycle connectable directed advertising mode, the time between the start of two consecutive ADV_DIRECT_IND PDUs sent on the same advertising channel index shall be less than or equal to 3.75 ms.

The Link Layer shall exit the Advertising state no later than 1.28 s after the Advertising state was entered.

The Link Layer shall start each advertising event with the lowest used primary advertising channel index and move sequentially through the other used primary advertising indices.

A sequence of five ADV_DIRECT_IND PDUs in two Advertising events without CONNECT_IND PDUs is shown in Figure 4.17 for the case in which all the primary advertising physical channels are used.

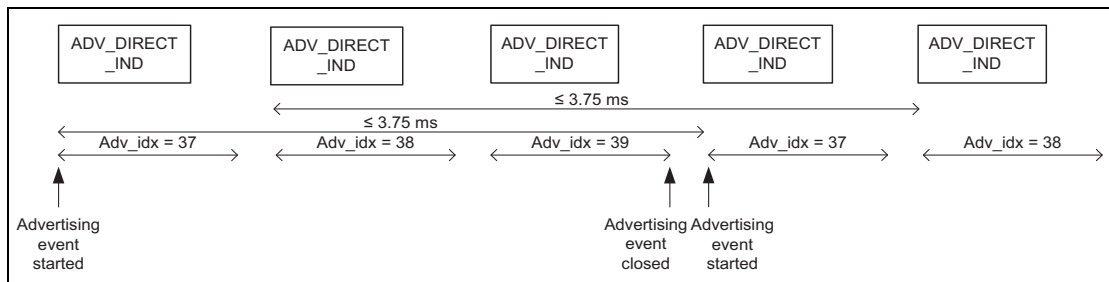


Figure 4.17: High duty cycle connectable directed advertising event with only advertising PDUs

4.4.2.4.4 Connectable directed event type using ADV_EXT_IND

The connectable directed advertising event type using ADV_EXT_IND allows an initiator to respond with a connect request on the secondary advertising physical channel to establish an ACL connection.

After every AUX_ADV_IND PDU related to this event it sends, the advertiser shall listen for AUX_CONNECT_REQ PDUs on the same secondary advertising channel index. Any AUX_SCAN_REQ PDUs received shall be ignored.

If the advertiser receives an AUX_CONNECT_REQ PDU that contains its device address and the initiator’s device address was contained in the AUX_ADV_IND PDU, then the advertiser shall reply with an AUX_CONNECT_RSP PDU on the same secondary advertising channel index. If the advertiser’s Link Layer does not support LL Privacy, then it shall use those addresses in the AUX_CONNECT_RSP PDU. After the AUX_CONNECT_RSP PDU is sent the Link Layer shall exit the Advertising state and transition to the Connection state in the Peripheral Role as defined in Section 4.5.5. Any AUX_SCAN_REQ PDUs received on the secondary advertising physical channel shall be ignored.

The time between the start of two consecutive connectable directed ADV_EXT_IND PDUs within an advertising event shall be less than or equal to 10 ms. The advertising event shall be closed within the advertising interval.

The channel index on the secondary channel, SAdv_idx, is contained in the AuxPtr field of the ADV_EXT_IND PDU.

Figure 4.18 shows an advertising event in which no AUX_CONNECT_REQ PDU is received.

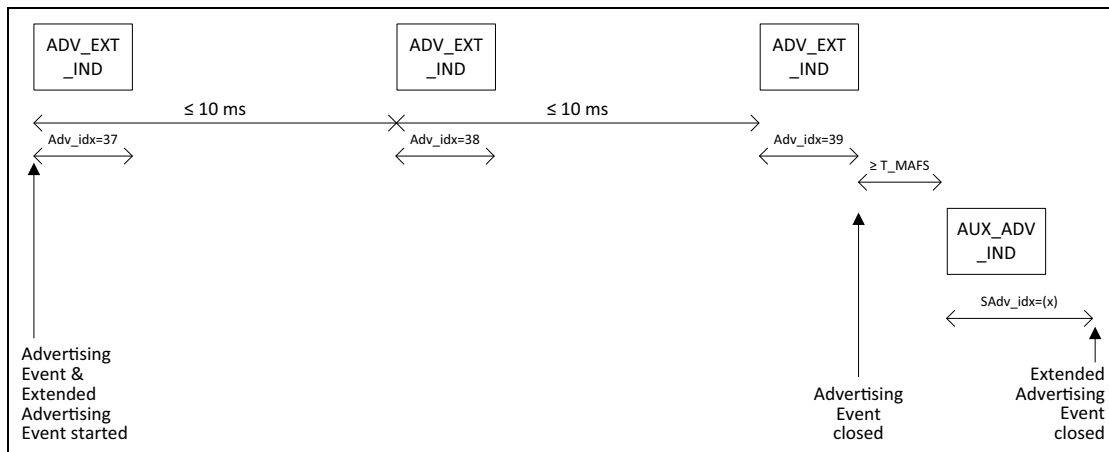


Figure 4.18: Connectable directed advertising event using the ADV_EXT_IND PDUs and AUX_ADV_IND PDU containing advertising data

Figure 4.19 illustrates an advertising event using connectable directed ADV_EXT_IND advertising PDUs during which an AUX_CONNECT_REQ PDU is received on the second secondary advertising channel index.

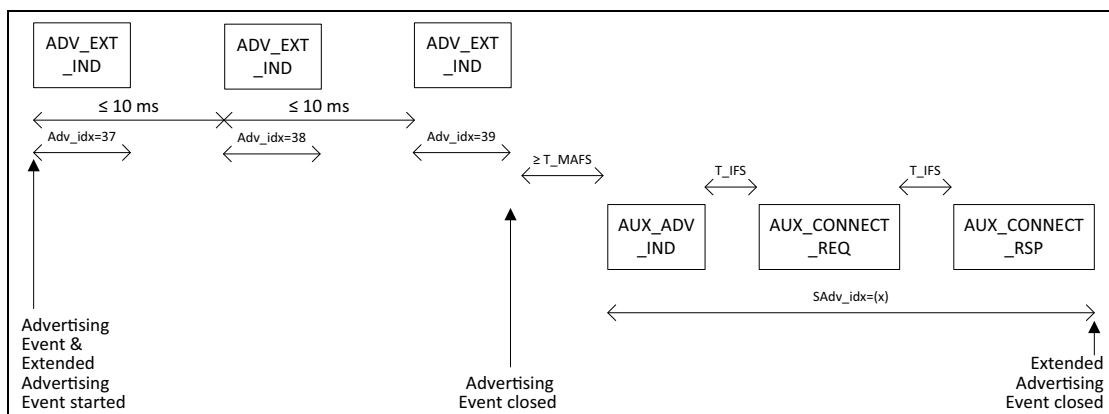


Figure 4.19: Connectable directed advertising event using ADV_EXT_IND PDUs and AUX_ADV_IND PDUs containing advertising data with an AUX_CONNECT_REQ PDU

4.4.2.5 Scannable undirected event type

When the scannable undirected advertising event type is used, scannable undirected advertising indications (ADV_SCAN_IND or scannable undirected ADV_EXT_IND PDUs) are sent by the Link Layer.

If the Controller supports LL Privacy, then the requirements in Section 6.2.3 shall also be followed.

4.4.2.5.1 Scannable undirected event type using ADV_SCAN_IND

The scannable undirected event type allows a scanner to respond with a scan request (SCAN_REQ PDU) to request additional information about the advertiser.



The Link Layer shall listen on the same primary advertising channel index for requests from scanners. Any CONNECT_IND PDUs received shall be ignored.

If the advertiser receives a SCAN_REQ PDU that contains its device address from a scanner allowed by the advertising filter policy it shall reply with a SCAN_RSP PDU on the same advertising channel index. After the SCAN_RSP PDU is sent or if the advertising filter policy did not allow processing the SCAN_REQ PDU the advertiser shall either move to the next used primary advertising channel index to send another ADV_SCAN_IND PDU, or close the advertising event.

The time between the beginning of two consecutive ADV_SCAN_IND PDUs within an advertising event shall be less than or equal to 10 ms. The advertising event shall be closed within the advertising interval.

The structure of an advertising event in which no SCAN_REQ PDU was received is shown in Figure 4.20 for the case in which all the primary advertising physical channels are used.

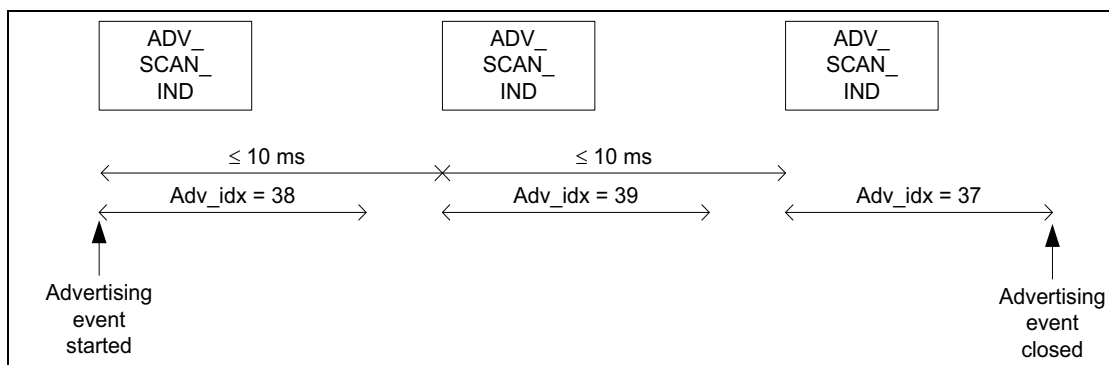


Figure 4.20: Scannable undirected advertising event with only advertising PDUs

Two example advertising events during which a SCAN_REQ PDU is received and a SCAN_RSP PDU is sent are shown in Figure 4.21 and in Figure 4.22 for the case in which all the primary advertising physical channels are used.

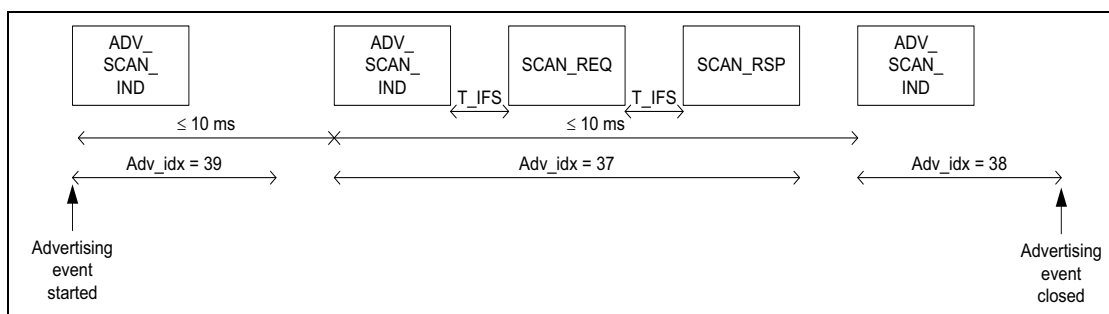


Figure 4.21: Scannable undirected advertising event with SCAN_REQ and SCAN_RSP PDUs in the middle of an advertising event

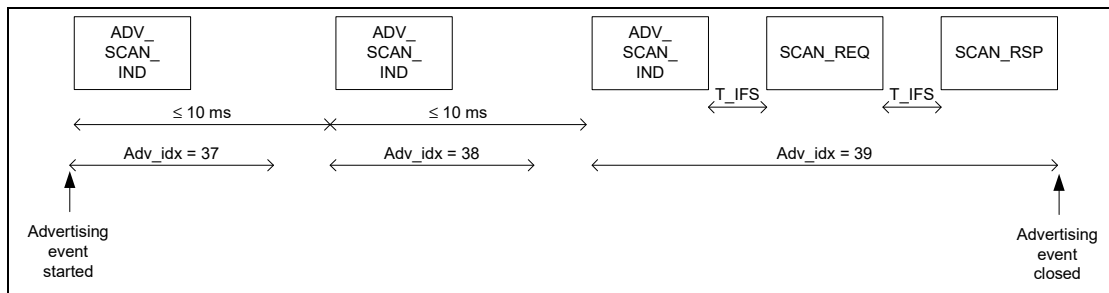


Figure 4.22: Scannable undirected advertising event with SCAN_REQ and SCAN_RSP PDUs at the end of an advertising event

4.4.2.5.2 Scannable undirected event type using ADV_EXT_IND

The scannable undirected event type using the ADV_EXT_IND PDU allows any scanner to respond with a scan request to receive scan response data on the secondary advertising physical channel.

A scanner may send a scan request using the AUX_SCAN_REQ PDU on the same secondary advertising channel index as the received AUX_ADV_IND PDU pointed to by the ADV_EXT_IND PDU.

After every AUX_ADV_IND PDU sent by the advertiser, the advertiser shall listen for AUX_SCAN_REQ PDUs on the same secondary advertising channel index from scanners. Any AUX_CONNECT_REQ PDUs received shall be ignored.

If the advertiser receives an AUX_SCAN_REQ PDU that contains its device address from a scanner allowed by the advertising filter policy, it shall reply with an AUX_SCAN_RSP PDU on the same secondary advertising channel index prior to the start of the next advertising event. After the AUX_SCAN_RSP PDU is sent, or if the advertising filter policy prohibits processing the AUX_SCAN_REQ PDU, the advertising event shall be closed. Any AUX_CONNECT_REQ PDUs on the secondary advertising physical channel shall be ignored.

The time between the beginning of two consecutive ADV_EXT_IND PDUs within an advertising event shall be less than or equal to 10 ms. The advertising event shall be closed within the advertising interval.

Figure 4.23 shows an advertising event in which no AUX_SCAN_REQ PDU is received.

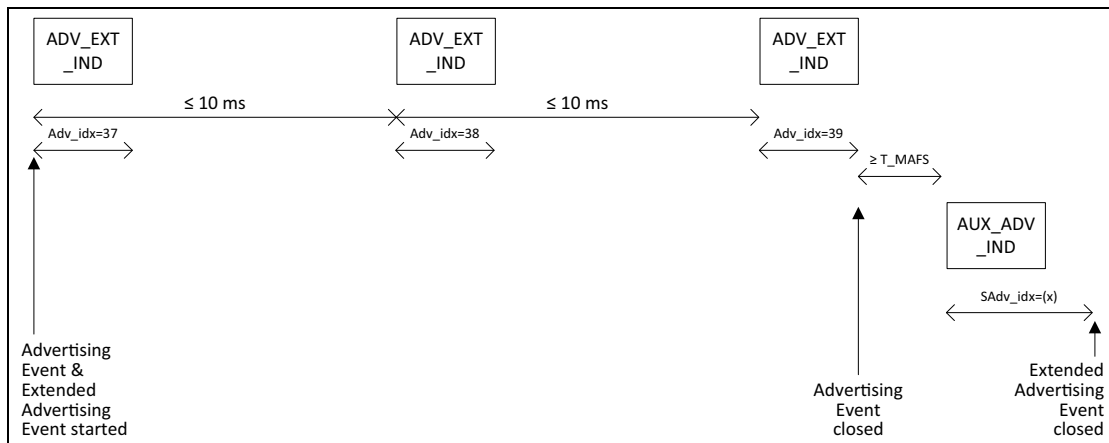


Figure 4.23: Scannable undirected advertising event using the ADV_EXT_IND PDU and AUX_ADV_IND PDUs where no scan request is received

An example advertising event during which an AUX_SCAN_REQ PDU is received and an AUX_SCAN_RSP PDU is sent on the secondary advertising physical channel is shown in Figure 4.24.

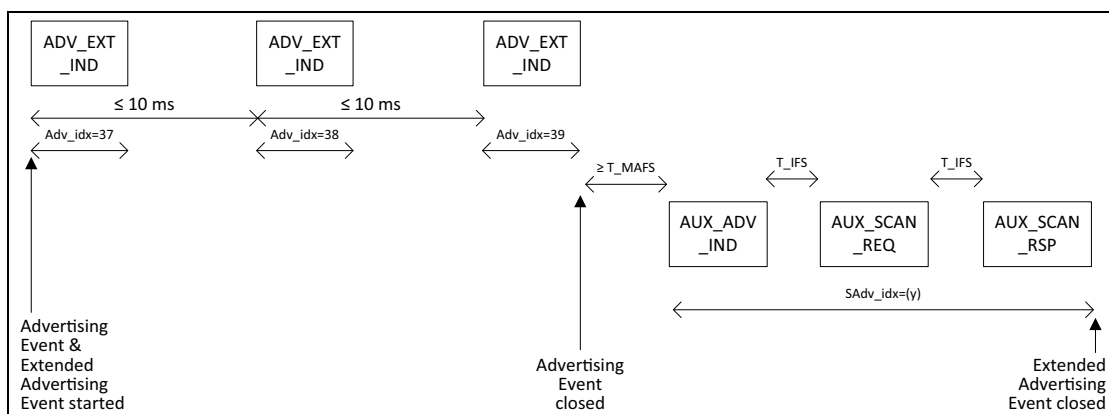


Figure 4.24: Scannable undirected advertising event with ADV_EXT_IND and AUX_ADV_IND PDUs where a scan request is received

4.4.2.6 Non-connectable and non-scannable undirected event type

When the non-connectable and non-scannable undirected advertising event type is used, non-connectable and non-scannable undirected advertising indications (ADV_NONCONN_IND or non-connectable and non-scannable undirected ADV_EXT_IND PDUs, the latter either with or without an auxiliary AUX_ADV_IND PDU) are sent by the Link Layer.

The non-connectable and non-scannable undirected event type allows a scanner to receive information from the advertiser. This information is contained either in the ADV_NONCONN_IND PDU or in an AUX_ADV_IND PDU pointed to by the AuxPtr field of the ADV_EXT_IND PDU.

The advertiser shall either move to the next used primary advertising channel index or close the advertising event after each ADV_NONCONN_IND or



ADV_EXT_IND PDU that is sent. The Link Layer does not listen, and therefore cannot receive any requests from scanners or initiators.

The time between the beginning of two consecutive ADV_NONCONN_IND or ADV_EXT_IND PDUs within an advertising event shall be less than or equal to 10 ms. The advertising event shall be closed within the advertising interval.

When using an ADV_EXT_IND PDU with an AUX_ADV_IND PDU, the Controller shall decide which PDU contains the AdvA field and should make this choice based on overall efficient use of the medium.

An illustration of a non-connectable and non-scannable undirected advertising event is shown in Figure 4.25 for the case in which all the primary advertising physical channels are used.

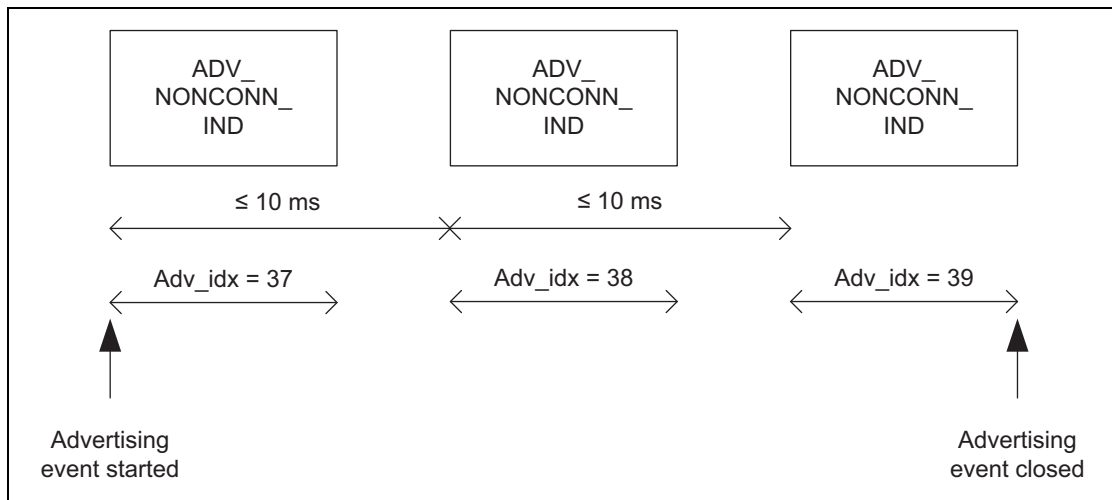


Figure 4.25: Non-connectable and non-scannable undirected advertising event using ADV_NONCONN_IND PDUs

Figure 4.26 shows an example of a non-connectable and non-scannable undirected ADV_EXT_IND PDU.

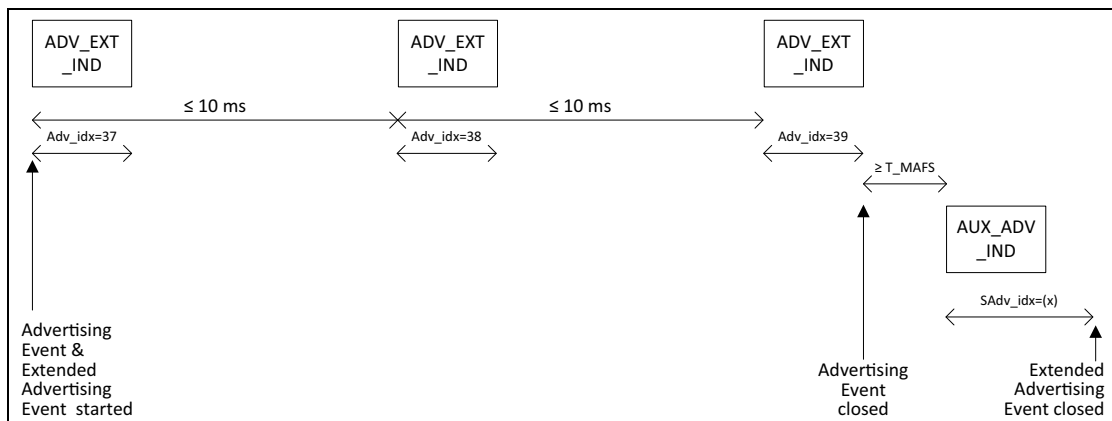


Figure 4.26: Non-connectable and non-scannable undirected advertising event using the ADV_EXT_IND PDU



Figure 4.27 shows an example of a non-connectable and non-scannable undirected ADV_EXT_IND PDU where the Host advertising data is fragmented using the AUX_CHAIN_IND PDU.

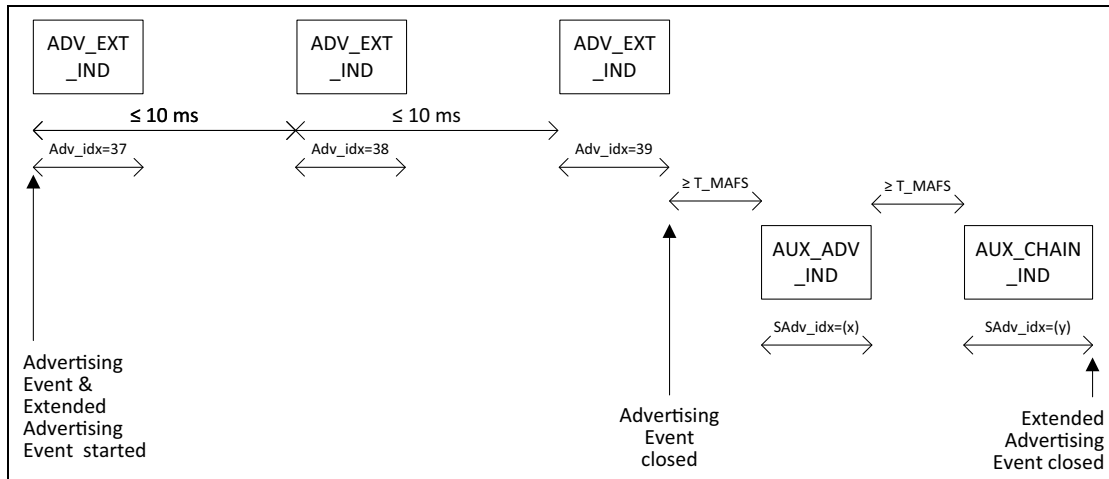


Figure 4.27: Non-connectable and non-scannable undirected advertising event using the ADV_EXT_IND PDU with fragmented Host advertising data

If the Controller supports LL Privacy, then the requirements in Section 6.2.3 shall also be followed.

4.4.2.7 Connectable undirected event type

The connectable undirected advertising event type using the ADV_EXT_IND PDU allows an initiator to respond with a connect request to establish an ACL connection on the secondary advertising physical channel.

An initiator may send a connect request using the AUX_CONNECT_REQ PDU on the same secondary advertising physical channel as the AUX_ADV_IND PDU to request the Link Layer to enter the Connection state.

After every AUX_ADV_IND PDU sent related to this event by the advertiser, the advertiser shall listen for AUX_CONNECT_REQ PDUs on the same secondary advertising channel index. Any AUX_SCAN_REQ PDUs received shall be ignored.

If the advertiser receives an AUX_CONNECT_REQ PDU that contains its device address from an initiator allowed by the advertising filter policy it shall reply with an AUX_CONNECT_RSP PDU on the same secondary advertising channel index. After the AUX_CONNECT_RSP PDU is sent the Link Layer shall exit the Advertising state and transition to the Connection state in the Peripheral Role as defined in Section 4.5.5.

The time between the beginning of two consecutive ADV_EXT_IND PDUs within an advertising event shall be less than or equal to 10 ms. The advertising event shall be closed within the advertising interval.



Figure 4.28 shows an advertising event in which no AUX_CONNECT_REQ PDU is received.

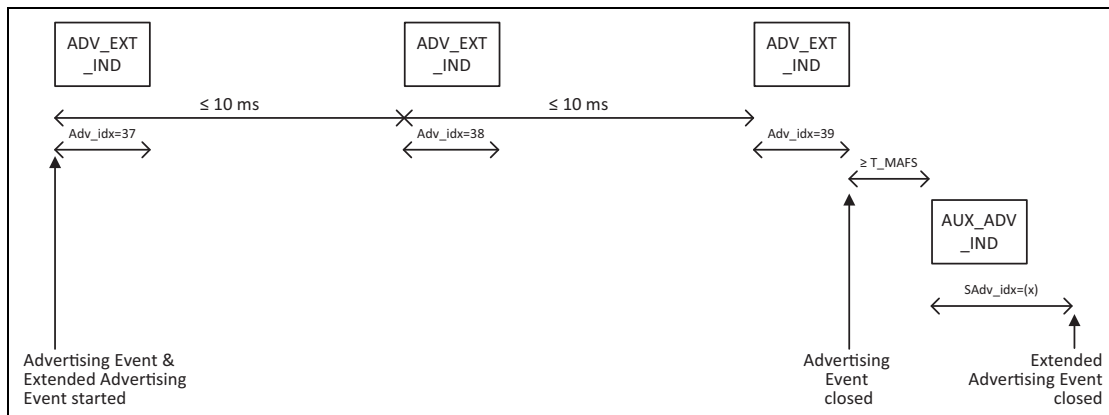


Figure 4.28: Connectable undirected advertising event using the ADV_EXT_IND PDUs and AUX_ADV_IND PDU containing advertising data

Figure 4.29 illustrates an advertising event during which an AUX_CONNECT_REQ PDU is received and an AUX_CONNECT_RSP PDU is sent on the secondary advertising channel index.

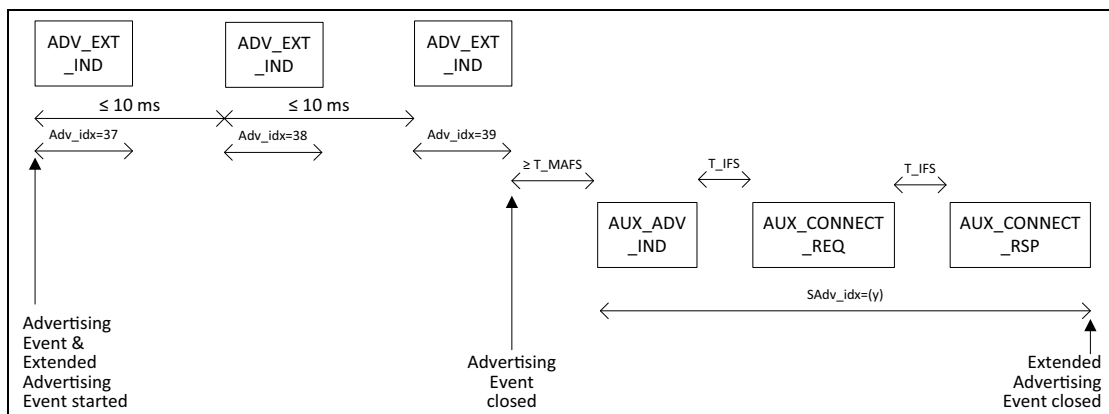


Figure 4.29: Connectable undirected advertising using ADV_EXT_IND PDUs when an AUX_CONNECT_REQ PDU is received

If the Controller supports LL Privacy, then the requirements in Section 6.2.4 shall also be followed.

4.4.2.8 Scannable directed event type

The scannable directed advertising event type using the ADV_EXT_IND PDU allows a specific scanner to respond with a scan request to receive scan response data on the secondary advertising physical channel.

After every AUX_ADV_IND PDU sent, the advertiser shall listen for an AUX_SCAN_REQ PDU on the same secondary advertising channel index from the targeted scanner.



If the advertiser receives an AUX_SCAN_REQ PDU that contains its device address and the scanner's device address is contained in the AUX_ADV_IND PDU, it shall reply with an AUX_SCAN_RSP PDU on the same secondary advertising channel index prior to the next advertising event. The AUX_SCAN_RSP PDU shall contain the scan response data. AUX_SCAN_REQ PDUs from any other scanner or any AUX_CONNECT_REQ PDUs received shall be ignored.

The time between the beginning of two consecutive ADV_EXT_IND PDUs within an advertising event shall be less than or equal to 10 ms. The advertising event shall be closed within the advertising interval.

See [Section 4.4.2.5.2](#) for a description on how the AUX_SCAN_REQ packet is used in conjunction with the AUX_SCAN_RSP packets on the secondary advertising physical channel.

If the Controller supports LL Privacy, then the requirements in [Section 6.2.5](#) shall also be followed.

4.4.2.9 Non-connectable and non-scannable directed event type

The non-connectable and non-scannable directed advertising event type using the ADV_EXT_IND PDU (either with or without an auxiliary AUX_ADV_IND PDU) allows an advertiser to send non-connectable and non-scannable directed ADV_EXT_IND PDUs on the primary advertising physical channel with any advertising data sent on the secondary advertising physical channel targeted for a specific scanner.

Note: The Host cannot specify which PDU contains the AdvA or TargetA field; the Controller should make this choice based on overall efficient use of the medium.

The Link Layer does not listen, and therefore cannot receive any requests from scanners or initiators.

If the Controller supports LL Privacy, then the requirements in [Section 6.2.5](#) shall also be followed.

4.4.2.10 Advertising Sets

The advertiser's Host may instruct the Link Layer to interleave advertising events. Advertising data belonging together is called an advertising set. The Link Layer may support multiple advertising sets, with each set having different advertising parameters such as advertising PDU type, advertising interval, and PHY.

When advertising with the ADV_EXT_IND, AUX_ADV_IND, or AUX_SYNC_IND PDUs, the advertising set is identified by the Advertising SID



subfield of the ADI field. The Link Layer shall set the Advertising SID subfield as directed by the Host.

The scanner may filter advertisements based on the Advertising SID.

The advertising events for each advertising set are considered a separate instance of the Advertising State and each have their own Advertising Interval (see Section 4.4.2.2.1).

Figure 4.30 illustrates an example of advertising using multiple advertising sets.

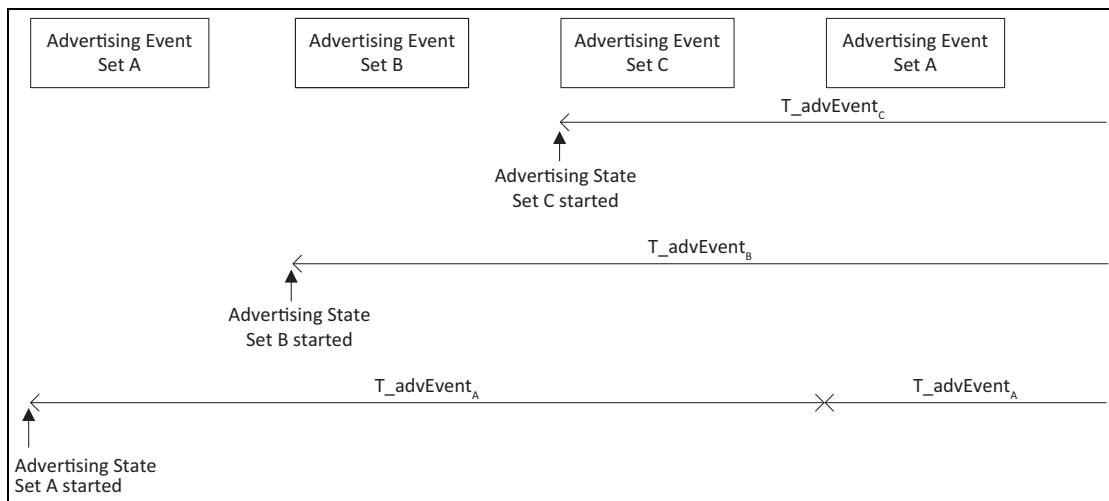


Figure 4.30: Multiple advertising sets example

On reset, all advertising sets are destroyed.

When an advertising set is created that includes advertising data, the Controller shall reserve sufficient resources to allow the set to contain at least 31 octets of advertising data. The Controller may release or reuse any unused portion of those resources at any time after the Host first specifies advertising data for that set or creates another advertising set.

When an advertising set is created that is scannable, the Controller shall reserve sufficient resources to allow the set to contain at least 31 octets of scan response data. The Controller may release or reuse those resources if the set is made non-scannable and may release or reuse any unused portion of those resources at any time after the Host first specifies scan response data for that set or creates another advertising set.

4.4.2.11 Using AdvDataInfo (ADI)

The AdvDataInfo (ADI) field is used to identify advertising sets and duplicate AdvData in the AUX_ADV_IND, AUX_SYNC_IND, and AUX_SCAN_RSP PDUs. For scannable advertising events using the ADV_EXT_IND PDU,



AdvData is not permitted in the AUX_ADV_IND PDU so the ADI only refers to the AdvData contained in the AUX_SCAN_RSP PDU.

The Advertising DID for a given advertising set or periodic advertising train shall be initialized with a randomly chosen value. The advertising set and any associated periodic advertising shall have separate Advertising DIDs. Whenever the Host provides new advertising data, periodic advertising data, or scan response data for a given advertising set (whether it is the same as the previous data or not), the Advertising DID shall be updated. The new value shall be a randomly chosen value that is not the same as the most recently used value.

Note: Choosing Advertising DID field values randomly reduces the possibility of PDUs from different advertisers containing the same ADI field value.

Note: The Advertising DID is not required to change when a SyncInfo field is added to or removed from an advertising set. However, if it does not change, then scanners may fail to synchronize to periodic advertising because entries in the Advertising DID cache (see [Section 4.4.3](#)) mean they ignore the advertisements containing the SyncInfo field. Therefore, advertisers should update the Advertising DID when a periodic advertising train is enabled. Alternatively, the Host should enable periodic advertising before enabling advertising.

4.4.2.12 Periodic advertising

When advertising data is required to be sent regularly at a fixed interval, periodic advertising is used. Two forms of periodic advertising are defined: periodic advertising without responses and periodic advertising with responses.

Periodic advertising without responses consists of advertisements sent at a fixed interval with the advertisement data changing from time to time. The AUX_SYNC_IND and AUX_CHAIN_IND PDUs making up such a sequence of advertisements form a periodic advertising train.

Note: No AUX_SYNC_SUBEVENT_IND and AUX_SYNC_SUBEVENT_RSP PDUs are sent on a periodic advertising without responses train

Periodic Advertising with Responses (PAwR) consists of advertisements sent at a fixed interval with the advertisement data changing frequently, with responses being sent in response. The AUX_SYNC_SUBEVENT_IND and AUX_SYNC_SUBEVENT_RSP PDUs making up such a sequence of advertisements form a PAwR train.

Note: No AUX_SYNC_IND and AUX_CHAIN_IND PDUs are sent on a PAwR train.

The advertising set containing the Periodic Advertising is identified by the AdvDataInfo field of ADV_EXT_IND PDUs that point to AUX_ADV_IND PDUs con-



taining the SyncInfo field. The AUX_SYNC_IND PDUs, the AUX_SYNC_SUBEVENT_IND PDUs, and the PDUs that point to them shall always be sent on the same PHY. The PHY used, the Access Address, and the CRCInit value of the AUX_SYNC_IND PDUs and the AUX_SYNC_SUBEVENT_IND PDUs for a periodic advertising train shall not change while that train is enabled. Advertising pointing to a periodic advertising train shall not be anonymous. Each time that a periodic advertising train is enabled, the Controller shall transmit at least one AUX_ADV_IND PDU pointing to the first AUX_SYNC_IND or AUX_SYNC_SUBEVENT_IND PDU of that train; after this, there is no requirement whether or when to transmit advertising PDUs pointing to the train. If the Periodic Advertising is with responses, then the ACAD field of the AUX_ADV_IND PDUs shall contain Periodic Advertising Response Timing Information (see Section 1.24 of [1]).

Note: The SyncInfo field is only allowed in non-scannable and non-connectable advertisements.

4.4.2.12.1 Trains without responses

When periodic advertising without responses takes place, the advertiser shall send AUX_SYNC_IND PDUs at regular intervals (the periodic advertising interval - see Section 4.4.2.2.3), which are described in the SyncInfo field of AUX_ADV_IND PDUs.

The Host may send periodic advertising data to the Link Layer. This advertising data is placed by the Link Layer in the periodic AUX_SYNC_IND PDUs and their subordinate sets. The Link Layer shall repeat the last advertising data sent by the Host until it receives new advertising data. The AUX_SYNC_IND PDUs are continuously sent out until the Host directs the Link Layer to terminate the periodic advertising train. When including the ADI field is enabled by the Host and where the periodic advertising data is not changed for every periodic advertising event, the Controller should include the ADI field in the AUX_SYNC_IND PDU.

Packets in a periodic advertising train may include a Constant Tone Extension. The Host may enable this before the periodic advertising train starts or may enable or disable inclusion of the Constant Tone Extension while the periodic advertising is in progress.

When an advertising set is first configured for periodic advertising, the Controller shall either reserve sufficient resources to allow the set to contain at least 31 octets of advertising data or else shall not allow periodic advertising on that advertising set. The Controller may release or reuse any unused portion of those resources at any time after the Host first specifies periodic advertising data for that set or creates another advertising set.

Figure 4.31 illustrates an example of periodic advertising.

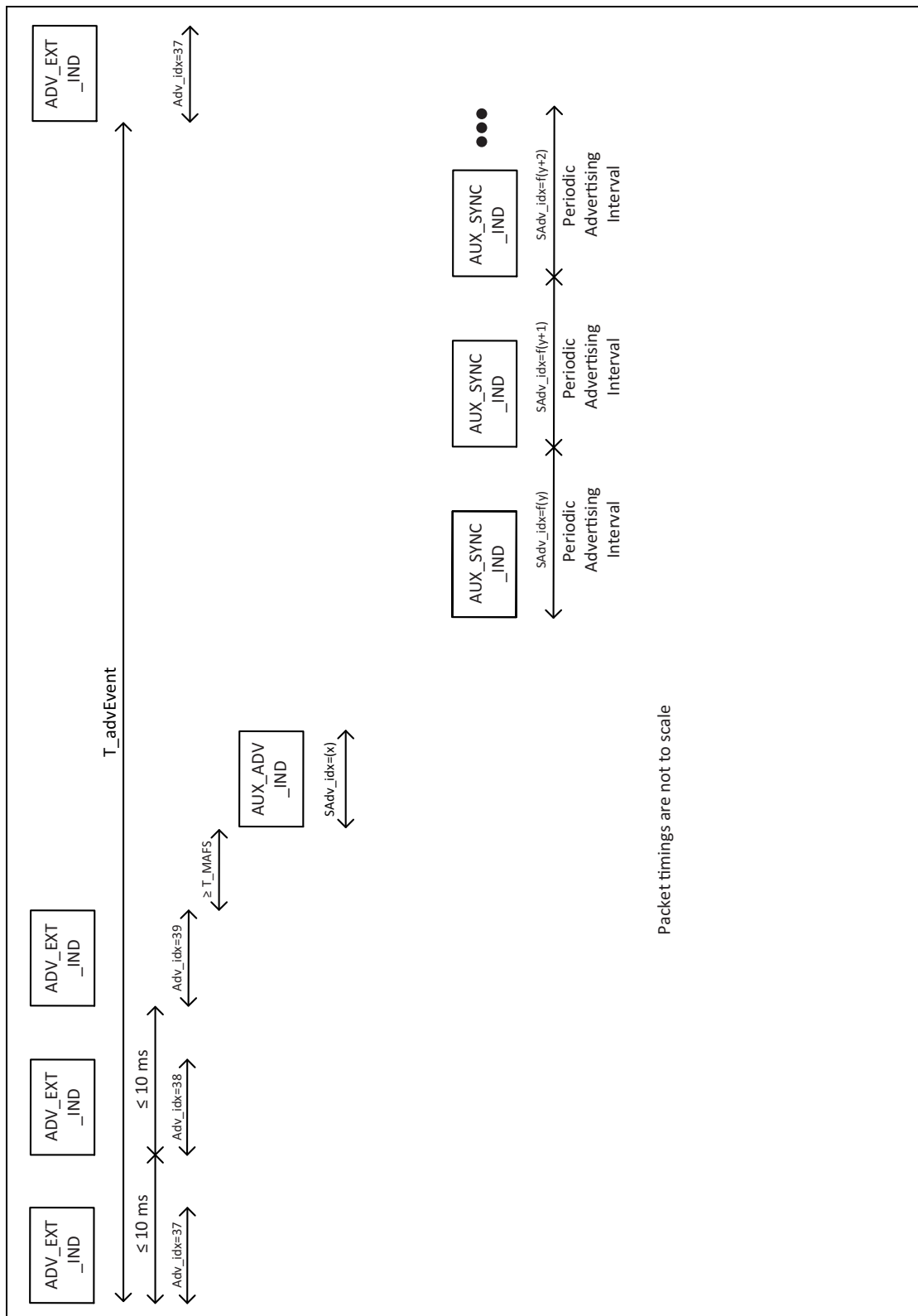


Figure 4.31: Example of periodic advertising without responses



4.4.2.12.2 Trains with responses

When PAwR takes place, the advertiser shall send AUX_SYNC_SUBEVENT_IND PDUs at regular intervals defined by the periodic advertising interval and the periodic advertising subevent interval (see [Section 4.4.2.2.4](#)). The PHY used and the CRCInit value of the AUX_SYNC_SUBEVENT_IND and AUX_SYNC_SUBEVENT_RSP PDUs for a periodic advertising train shall not change while that train is enabled. The Access Address value of the AUX_SYNC_SUBEVENT_IND shall not change while that train is enabled. The Access Address value of the AUX_SYNC_SUBEVENT_RSP shall be set by each synchronized device to the RspAA.

The Host may send periodic advertising data to the Link Layer. This advertising data is placed by the Link Layer in the periodic AUX_SYNC_SUBEVENT_IND PDUs. The Link Layer shall send the advertising data sent by the Host once and then immediately discard the advertising data. The AUX_SYNC_SUBEVENT_IND PDUs should be continuously sent out until the Host directs the Link Layer to terminate the periodic advertising train. If the Host has not provided any data to the Link Layer, then an AUX_SYNC_SUBEVENT_IND_PDU should still be sent with an empty payload.

When instructed by the Host, the Link Layer shall transmit an AUX_CONNECT_REQ PDU instead of an AUX_SYNC_SUBEVENT_IND PDU, with the InitA field set to the address of the advertiser and the AdvA field set to the address of the synchronized device. After sending the AUX_CONNECT_REQ PDU, the periodic advertiser shall wait for the synchronized device to send an AUX_CONNECT_RSP PDU T_IFS from the end of the AUX_CONNECT_REQ PDU on the same secondary advertising channel index. If an AUX_CONNECT_RSP PDU is received from the synchronized device, the Link Layer of the periodic advertiser shall start a new state machine that immediately transitions to the Connection state in the Central role as defined in [Section 4.5.4](#); the existing state machine shall remain in the Advertising state. If an AUX_CONNECT_RSP PDU is not received from the synchronized device, then the request to connect to the synchronized device is discarded.

If the synchronized device receives an AUX_CONNECT_REQ PDU from the periodic advertiser that contains its device address, then the synchronized device shall reply with an AUX_CONNECT_RSP PDU on the same secondary advertising channel index with the AdvA field set to the address of the synchronized device and the TargetA field set to the address of the advertiser. After the AUX_CONNECT_RSP PDU is sent, the Link Layer shall start a new state machine that immediately transitions to the Connection state in the Peripheral role as defined in [Section 4.5.5](#); the existing state machine shall remain in the Synchronization state.



4.4.3 Scanning state

The Link Layer shall enter the Scanning state when directed by the Host. When scanning, the Link Layer shall listen on the primary advertising physical channel for the types of PDU and on the PHYs that have been indicated by the Host. There are two types of scanning, determined by the Host: passive and active.

There are no strict timing or advertising channel index selection rules for scanning.

During scanning, the Link Layer should listen on a primary advertising channel index for the duration of the scan window, *scanWindow*. The scan interval, *scanInterval*, is defined as the interval between the start of two consecutive scan windows.

The Link Layer should listen for the complete *scanWindow* every *scanInterval* as directed by the Host unless there is a scheduling conflict. In each scan window, the Link Layer should scan on a different primary advertising channel index than the one used in the previous scan window. The Link Layer shall use all the primary advertising channel indices.

The *scanWindow* and *scanInterval* parameters shall be less than 40.96 s. The *scanWindow* shall be less than or equal to the *scanInterval*. If the *scanWindow* and the *scanInterval* parameters are set to the same value by the Host, the Link Layer should scan continuously.

The scanning filter policy shall apply when receiving an advertising PDU or scan response PDU when scanning.

On receiving a PDU with the AuxPtr field present, the scanner should also listen for the auxiliary PDU it points to (provided that it supports the PHY specified in the AuxPtr field) and should then attempt to receive the entire subordinate set of the PDU. While doing so, it shall perform the window widening specified in [Section 4.2.4](#). If it does not support the specified PHY or the value is reserved for future use, it shall not listen for the auxiliary PDU and shall behave as if it listened for it but failed to receive it.

When a scanner receives ADV_EXT_IND PDUs that contain an AuxPtr field, it may either always listen for the auxiliary packet or may sometimes skip listening. In the latter case, the following requirements shall apply.

For each Advertising SID value received:

- The Controller shall keep a cache of one or more recent Advertising DID values used by each advertising device (for this purpose, all anonymous advertising is treated as being from a single device different to all real devices) and shall update them whenever a PDU containing an ADI field is received. The Controller may delete any cache entry at any time. The



Controller should delete the cache entry relating to an ADV_EXT_IND PDU if it fails to receive that PDU's entire subordinate set.

- The Controller may only skip listening for the auxiliary packet if the cache has an entry specifying the Advertising DID value in the ADI field being used by a device; if the ADV_EXT_IND PDU contains an AdvA field, the entry shall be for that device. Otherwise, the Controller shall not skip listening for the auxiliary packet.
- Irrespective of the cache contents, the Controller should sometimes listen for the AUX_ADV_IND PDU in case another advertiser has started using the same Advertising DID value or the existing advertiser has made a significant change to the extended header (e.g., included the SyncInfo field).

If the Controller supports LL Privacy, then the requirements in [Section 6.3](#) shall also be followed.

4.4.3.1 Passive scanning

When in passive scanning, the Link Layer will only receive packets; it shall not send any packets.

4.4.3.2 Active scanning

In active scanning, the Link Layer shall listen for advertising PDUs and, depending on the advertising PDU type, it may request an advertiser to send additional information.

After entering the Scanning State, if the Link Layer receives a scannable PDU (i.e. an ADV_IND, ADV_SCAN_IND, or scannable AUX_ADV_IND PDU) from an advertiser allowed by the scanning filter policy, it shall respond with a scan request PDU and then listen for the scan response PDU. It shall continue to respond to the same advertiser until it has successfully received the scan response PDU. It may then either respond to or ignore subsequent scannable PDUs from the same advertiser. It should ignore them if either they are legacy PDUs or if the Advertising DID field has not changed since the last advertisement from the same advertiser with the same Advertising SID field; it should not ignore them otherwise.

The Link Layer shall only send a SCAN_REQ PDU to an advertiser from which an ADV_IND PDU or ADV_SCAN_IND PDU is received. The Link Layer shall only send an AUX_SCAN_REQ PDU to an advertiser from which a scannable AUX_ADV_IND is received. The Link Layer shall ignore a scannable AUX_ADV_IND PDU if the TargetA field is present and it does not match the Link Layer's device address.

The scanner shall run a backoff procedure to minimize collisions of scan request PDUs from multiple scanners. An example of such a procedure is given in the following paragraphs.



The backoff procedure uses two parameters, *backoffCount* and *upperLimit*, to restrict the number of scan request PDUs sent when collisions occur on scan response PDUs. Upon entering the Scanning State, the *upperLimit* and *backoffCount* are set to one.

On every received ADV_IND, ADV_SCAN_IND, or scannable AUX_ADV_IND PDU that is allowed by the scanning filter policy and for which a scan request PDU is to be sent, the *backoffCount* is decremented by one until it reaches the value of zero. The scan request PDU is only sent when *backoffCount* becomes zero.

After sending a scan request PDU the Link Layer listens for a scan response PDU from that advertiser. If the scan response PDU was not received from that advertiser, it is considered a failure; otherwise it is considered a success. On every two consecutive failures, the *upperLimit* is doubled until it reaches the value of 256. On every two consecutive successes, the *upperLimit* is halved until it reaches the value of one. After success or failure of receiving the scan response PDU, the Link Layer sets *backoffCount* to a new (pseudo-)random integer between one and *upperLimit*.

If a device uses a different backoff algorithm it shall share the medium responsibly.

Two illustrations of advertising events using all the advertising channel indices during which a SCAN_REQ PDU is received and a SCAN_RSP PDU is sent are shown in [Figure 4.12](#) and in [Figure 4.13](#).

4.4.3.3 Advertising sets

The ADV_EXT_IND PDU may contain an ADI field. When the ADI field is present, it can be used to identify advertisement data that belong to the same set. This is specified in the Advertising SID subfield in the ADI. The Advertising SID is set by the Host of the advertiser.

4.4.3.4 Scanning for periodic advertisements

When instructed by the Host, the scanner shall look for periodic advertising synchronization information located in the SyncInfo field and, for PAwR, the ACAD field of AUX_ADV_IND PDUs. If the syncPacketWindowOffset value of the SyncInfo is zero, the periodic advertising synchronization information is incomplete and the scanner should listen for a subsequent advertisement to be able to obtain the complete information. When it has received the complete information it shall start a new state machine that immediately transitions to the Synchronization State; the existing state machine shall remain in the Scanning State.

The Host may instruct the Controller not to synchronize to periodic advertising trains with certain types of Constant Tone Extensions or without a Constant Tone Extension. If the Controller receives an AUX_SYNC_IND or



AUX_SYNC_SUBEVENT_IND with such a Constant Tone Extension while synchronizing, the synchronization attempt has failed and shall cease. Once synchronized, the presence or type of Constant Tone Extension shall not affect synchronization.

4.4.3.5 Advertising reports

The Link Layer shall send an advertising report to the Host for each advertising PDU on the primary advertising physical channel that is accepted by the scanning filter policy (see [Section 4.3.3](#)) and for each scan response PDU from an advertiser that is accepted by the scanning filter policy, except where stated otherwise in this section. The Controller shall send the report even if it does not respond to the advertiser.

If the Controller receives an ADV_EXT_IND PDU with an AuxPtr field, it shall delay the report until after the corresponding AUX_ADV_IND PDU has been received and the report shall combine the information in the PDUs; if the Controller does not listen for or does not receive the AUX_ADV_IND PDU, no report shall be generated. The advertising report shall contain at least the advertiser's device address and all of the advertising data or scan response data (including any data in any subordinate AUX_CHAIN_IND PDUs that were received) if present.

Note: The Controller may use more than one HCI event to send the report, for example, if the total data does not fit within a single event.

Note: The requirements above and those in [Section 4.6.12](#) mean that the Controller must be able to store and report to the Host at least 251 octets of data from a single advertisement or scan response (irrespective of the number of PDUs used to transmit the data) if the Controller supports LE extended advertising and 31 octets otherwise.

The Host may request that duplicate advertising reports are filtered and so not sent.

Where a received ADV_EXT_IND PDU contains an ADI field, a duplicate advertising report is an advertising report for the same device address where the previous report that contained an ADI value with the same Advertising SID also had the same Advertising DID. For this purpose, all anonymous advertising is treated as being from a single device different to all non-anonymous devices.

Where the ADV_EXT_IND PDU does not contain an ADI field or a legacy PDU was received, a duplicate advertising report is an advertising report for the same device address while the Link Layer stays in the Scanning state.

In either case the actual data may change; advertising data or scan response data is not considered significant when determining duplicate advertising reports. However, if not all the subordinate set of an advertisement or scan



response was received (i.e., an incomplete report), a subsequent report that contains more of the data should not be treated as a duplicate of the incomplete report.

4.4.4 Initiating state

The Link Layer shall enter the Initiating state when directed by the Host. When initiating, the Link Layer shall listen on the primary advertising physical channel.

There are no strict timing or advertising channel index selection rules for initiators.

During initiating, the Link Layer listens on a primary advertising channel index for the duration of the scan window, *scanWindow*. The scan interval, *scanInterval*, is defined as the interval between the start of two consecutive scan windows.

The Link Layer should listen for the complete *scanWindow* every *scanInterval* as directed by the Host unless there is a scheduling conflict. In each scan window, the Link Layer should listen on a different primary advertising channel index. The Link Layer shall use all the primary advertising channel indices.

The *scanWindow* and *scanInterval* parameters shall be less than or equal to 40.96 s. The *scanWindow* shall be less than or equal to the *scanInterval*. If the *scanWindow* and the *scanInterval* parameters are set to the same value by the Host, the Link Layer should listen continuously.

Connection indications or requests in response to a connectable advertisement shall be sent on either the primary or secondary advertising physical channel depending on which advertising PDU contains an AdvA field. The following sub-sections describe the two procedures.

If the Controller supports LL Privacy, then the requirements in [Section 6.4](#) shall also be followed.

4.4.4.1 Connect requests on the primary advertising physical channel

If an ADV_IND PDU is received that is allowed by the initiator filter policy, the initiator shall send a CONNECT_IND PDU to the advertiser. If an ADV_DIRECT_IND PDU containing the initiator's Link Layer device address and allowed by the initiator filter policy is received, the initiator shall send a CONNECT_IND PDU to the advertiser; otherwise it shall be ignored.

After sending the CONNECT_IND PDU, the Link Layer shall exit the Initiating State, and shall transition to the Connection State in the Central Role as defined in [Section 4.5.4](#).



4.4.4.2 Connect requests on the secondary advertising physical channel

If a connectable ADV_EXT_IND PDU is received, the initiator shall listen for the connectable AUX_ADV_IND on the secondary advertising physical channel; while doing so, it shall perform the window widening specified in [Section 4.2.4](#). If a connectable undirected AUX_ADV_IND PDU, or a connectable directed AUX_ADV_IND PDU containing the initiator's Link Layer device address, is received and is allowed by the initiator filter policy, the initiator shall send an AUX_CONNECT_REQ PDU to the advertiser; otherwise, it shall be ignored.

After sending the AUX_CONNECT_REQ PDU, the initiator shall wait for the advertiser to send an AUX_CONNECT_RSP PDU. Once an AUX_CONNECT_RSP PDU is received, the Link Layer shall exit the Initiating State and shall transition to the Connection State in the Central Role as defined in [Section 4.5.4](#). If the initiator does not receive an AUX_CONNECT_RSP PDU from the advertiser, it shall use the back-off algorithm described for SCAN_REQ in [Section 4.4.3.2](#) before responding to the next connectable AUX_ADV_IND PDU.

4.4.5 Synchronization state

In the Synchronization state, the Link Layer listens to regular broadcasts from another device. There are two types of such broadcasts: periodic advertising trains and broadcast isochronous streams.

Synchronization state has two sub-states: synchronizing and synchronized. The Link Layer shall enter the Synchronization state in the synchronizing sub-state when directed by the Host, provided that it is in possession of the necessary information to locate the regular broadcasts. Once it has successfully received a PDU from the broadcast, it transitions to the synchronized sub-state and is then said to be synchronized to the broadcast; until then, it is said to be synchronizing.

Once synchronized, if it fails to receive any PDUs forming the broadcast for a period specified by the Host, it shall transition to the Standby state and notify the Host.

4.4.5.1 Periodic advertising trains

To receive periodic advertising trains the Link Layer must obtain periodic advertising synchronization information. This information may be obtained from the SyncInfo field of an AUX_ADV_IND PDU (see [Section 4.4.3.4](#)) or from an LL_PERIODIC_SYNC_IND or an LL_PERIODIC_SYNC_WR_IND PDU sent by a connected device.

While in this state, the Link Layer shall listen on the secondary advertising channel indices specified in [Section 4.4.2.1](#) for the AUX_SYNC_IND or AUX_SYNC_SUBEVENT_IND PDUs forming the periodic advertising train



specified in the synchronization information. In the synchronizing sub-state, if the Controller does not receive any of these AUX_SYNC_IND or AUX_SYNC_SUBEVENT_IND PDUs within 6 periodic advertising events, starting with the first periodic advertising event it listened for, it shall notify the Host and transition to the Standby State.

A device shall not attempt to synchronize to a periodic advertising train with the same address, address type, and Advertising SID as one that it is already synchronized to. A device should not attempt to synchronize to a periodic advertising train with the same Access Address as one that it is already synchronized to.

The Link Layer shall perform the window widening specified in [Section 4.2.4](#) while listening. If the *windowWidening* reaches $((periodicInterval/2) - T_IFS \mu s)$ in magnitude, the Controller should notify the Host and transition to the Standby State.

4.4.5.1.1 Trains without responses

If requested by the Host, the Link Layer shall report the advertising data received in the periodic advertisements to the Host. The Host may specify that not all such data is reported or that duplicate periodic advertising reports are filtered and so not sent to the Host. A duplicate periodic advertising report is a report for the same periodic advertising train where the previous report for that train that contained an ADI field had the same Advertising SID and DID. The Link Layer need not listen to AUX_SYNC_IND or AUX_CHAIN_IND PDUs where it will not be reporting the data or samples from Constant Tone Extensions to the Host, other than as necessary to maintain synchronization with the advertiser's clock or to receive any channel map updates.

4.4.5.1.2 Trains with responses

If requested by the Host, the Link Layer shall report the advertising data received in the periodic advertisements to the Host. The Host may specify that not all such data is reported. The Link Layer need not listen to an AUX_SYNC_SUBEVENT_IND PDU where it would not be reporting the data to the Host, other than as necessary to maintain synchronization with the advertiser's clock or to receive any channel map updates.

A synchronized device may transmit an AUX_SYNC_SUBEVENT_RSP PDU when instructed to by its Host. The response slot to use is determined by the Host.

4.4.5.2 Broadcast Isochronous Streams

To receive broadcast isochronous streams, the Link Layer must obtain the BIGInfo describing the streams (see [Section 4.4.6.11](#)). This information may be obtained from the ACAD of periodic advertising. If the PHY field of the BIGInfo specifies a PHY that the Link Layer does not support or is reserved for future



use, the Link Layer shall ignore the BIGInfo, shall not report the BIGInfo to the Host, and shall not enter the Synchronization state for the BIG specified in the BIGInfo.

While in this state, the Link Layer shall listen on the isochronous channel indices specified in [Section 4.4.6.8](#) for BIS Data PDUs forming the BIG specified in the BIGInfo. In the synchronizing sub-state, if the Link Layer does not receive a BIS Data PDU within 6 BIG events, starting with the first BIG event it listened for, it shall notify the Host and transition to the Standby state.

Once in the synchronized sub-state, the Link Layer shall listen for the Isochronous Broadcaster at least once within any 6 consecutive BIS events.

A device shall not attempt to synchronize to a BIG with the same associated periodic advertising train as a BIG that it is already synchronized to.

A device that has synchronized to a BIG is called a Synchronized Receiver. A Synchronized Receiver may, but it is not required to, remain synchronized to the periodic advertising train.

If requested by the Host, the Link Layer shall report the isochronous data received in the BIS Data PDUs forming the BIG to the Host. The Host may specify that only the data from specific BISes within the BIG are reported. The Link Layer shall listen to and act on the contents of new BIG Control PDUs.

The Link Layer need not listen to Broadcast Isochronous PDUs that are retransmissions of PDUs already successfully received, or to BIS Data PDUs where it will not be reporting the data to the Host, other than as necessary to maintain synchronization with the Isochronous Broadcaster's clock.

The Link Layer shall perform the window widening specified in [Section 4.2.4](#) while listening.

The Link Layer shall stop listening to the BIG no later than when the *bisPayloadCounter* equals $2^{39} - 1$.

4.4.6 Isochronous Broadcasting state

The Link Layer shall enter the Isochronous Broadcasting state when directed by the Host, provided that it is able to schedule the BIG the Host is requesting to be transmitted. While in this state the Link Layer shall transmit BIS PDUs as described in the following subsections.

When the Link Layer enters the Isochronous Broadcasting state, it shall notify the Host.

In this state, the Host may disable and subsequently re-enable the periodic advertising train associated with the BIG.



Each instance of the Link Layer state machine in the Isochronous Broadcasting state shall transmit a BIG made up of one or more BISes. Each BIS carries a separate isochronous data flow. There shall be at most 31 BISes in a BIG.

Note: The Isochronous Broadcasting state is per BIG (i.e. every new BIG instantiates a new Link Layer state machine).

4.4.6.1 Broadcast Isochronous Stream (BIS)

A BIS is a logical transport that enables a device to transfer isochronous data. The isochronous data can be either framed or unframed.

A BIS supports variable size packets and the transmission of one or more packets in each BIS event, allowing a range of data rates to be supported. The data traffic is unidirectional from the broadcasting device; hence there is no acknowledgment protocol and broadcast isochronous traffic is inherently unreliable. To improve the reliability of packet delivery, the BIS supports multiple retransmissions.

4.4.6.2 Broadcast Isochronous Group (BIG)

A BIG consists of either two or more BISes that have the same ISO_Interval and are expected to have a time relationship at the application layer, or of a single BIS. The maximum number of BISes in a BIG shall be 31. A BIG also contains control subevents (see [Section 4.4.6.7](#)).

4.4.6.3 BIG parameters

Each BIG is defined by the following parameters:

- Num_BIS is the number of BISes in the BIG. The BISes in a BIG are each assigned a different BIS_Number from 1 to Num_BIS.
- ISO_Interval is the time between two adjacent BIG anchor points, in units of 1.25 ms. The value shall be between 4 and 3200 (i.e. 5 ms to 4 s).
- BIS_Spacing is the time between the start of corresponding subevents in adjacent BISes in the BIG and also the time between the start of the first subevent of the last BIS and the control subevent, if present.
- Sub_Interval is the time between the start of two consecutive subevents of each BIS.
- Max_PDU is the maximum number of data octets (excluding the MIC, if any) that can be carried in each BIS Data PDU in the BIG. The value shall be between 1 and 251 octets.
- Max_SDU is the maximum size of an SDU on this BIG (see [\[Vol 6\] Part G, Section 1](#)). The value shall be between 1 and 4095 octets.
- MPT shall equal the time taken to transmit a packet containing a BIS Data PDU with a payload of Max_PDU octets on the PHY being used for the BIS; on the LE Coded PHY, the S=8 coding shall be assumed.



- BN, PTO, and IRC control which data is transmitted in each BIG event. The value of BN shall be between 1 and 7. The value of PTO shall be between 0 and 15. The value of IRC shall be between 1 and 15.
- NSE is the number of subevents per BIS in each BIG event. The value shall be between 1 and 31 and shall be an integer multiple of BN.
- Framed indicates whether the BIG carries framed or unframed data.
- Encrypted indicates whether the BIG is encrypted or not.

These parameters shall not change during the lifetime of the BIG. They are discussed further in subsections [4.4.6.4](#) to [4.4.6.11](#). The mandatory range for each parameter is the entire range of valid values except for the following parameters, where only the listed values are mandatory:

- Num_BIS: 1
- BN: 1
- NSE: all supported values of BN
- PTO: 0
- IRC: all supported values of GC (see [Section 4.4.6.6](#))

Each BIG shall have a 39-bit counter *bigEventCounter* associated with it. This shall be set to 0 for the first BIG event of a BIG and be incremented by 1 for each BIG event, whether or not the Isochronous Broadcaster transmits any Broadcast Isochronous PDUs during the event.

Each BIS shall have a 39-bit counter *bisPayloadCounter* associated with it, described further in [Section 4.4.6.5](#). The Link Layers of an Isochronous Broadcaster and a Synchronized Receiver shall terminate the BIG no later than when the *bisPayloadCounter* equals $2^{39} - 1$.

Note: At the start of any BIG event, all the BISes in a BIG will have the same value for *bisPayloadCounter* and, in addition, $bigEventCounter * BN = bisPayloadCounter$.

4.4.6.4 BIG event

A BIG event consists of one or more BIS PDUs. The Link Layer shall transmit BIS PDUs only in BIG events. The Link Layer shall transmit only BIS PDUs as part of a BIG event.

Each BIG event is divided into Num_BIS separate BIS events and a control subevent if present. Each BIS event is divided into NSE subevents.

Each BIS event starts at a moment called the BIS anchor point and ends after its last subevent. Each BIG event starts at a moment called the BIG anchor point and ends after the control subevent, if there is one, and otherwise at the end of the last constituent BIS event. The BIG anchor points shall be spaced regularly, ISO_Interval apart. The BIS anchor points for BIS *n* of a BIG shall be



$(n - 1) \times \text{BIS_Spacing}$ after the BIG anchor points and so are also spaced regularly, ISO_Interval apart. The subevents of each BIS shall be Sub_Interval apart. The Isochronous Broadcaster shall close each BIG event at least T_IFS before the BIG anchor point of the next BIG event. Figure 4.32 shows a BIS event with subevents.

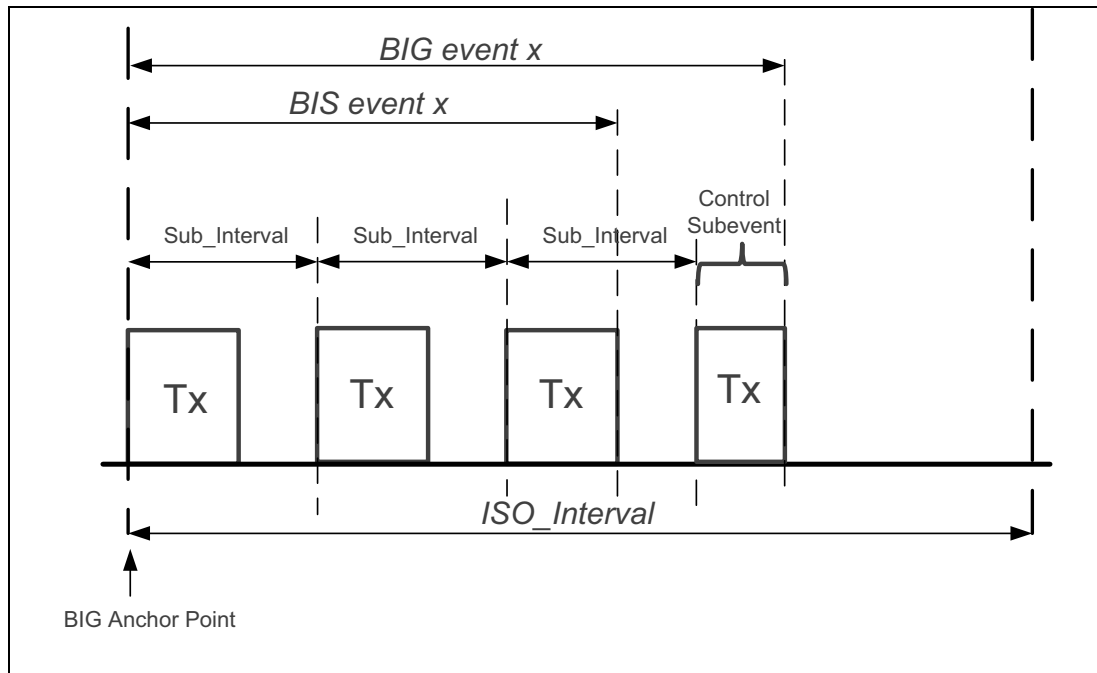


Figure 4.32: Example of BIG and BIS events

The BISes in a BIG shall be arranged either sequential or interleaved by setting the values of the Sub_Interval and BIS_Spacing parameters appropriately. If they are sequential, BIS_Spacing shall be greater than or equal to $\text{NSE} \times \text{Sub_Interval}$ and so all the subevents of a BIS event occur together. If they are interleaved, Sub_Interval shall be greater than or equal to $\text{Num_BIS} \times \text{BIS_Spacing}$ and so the first subevents of all BISes are adjacent, followed by the second subevents of all BISes, and so on. In each case, the minimum value for BIS_Spacing should be used. Figure 4.33 shows each arrangement for a BIG where $\text{Num_BIS} = 2$ and $\text{NSE} = 2$.

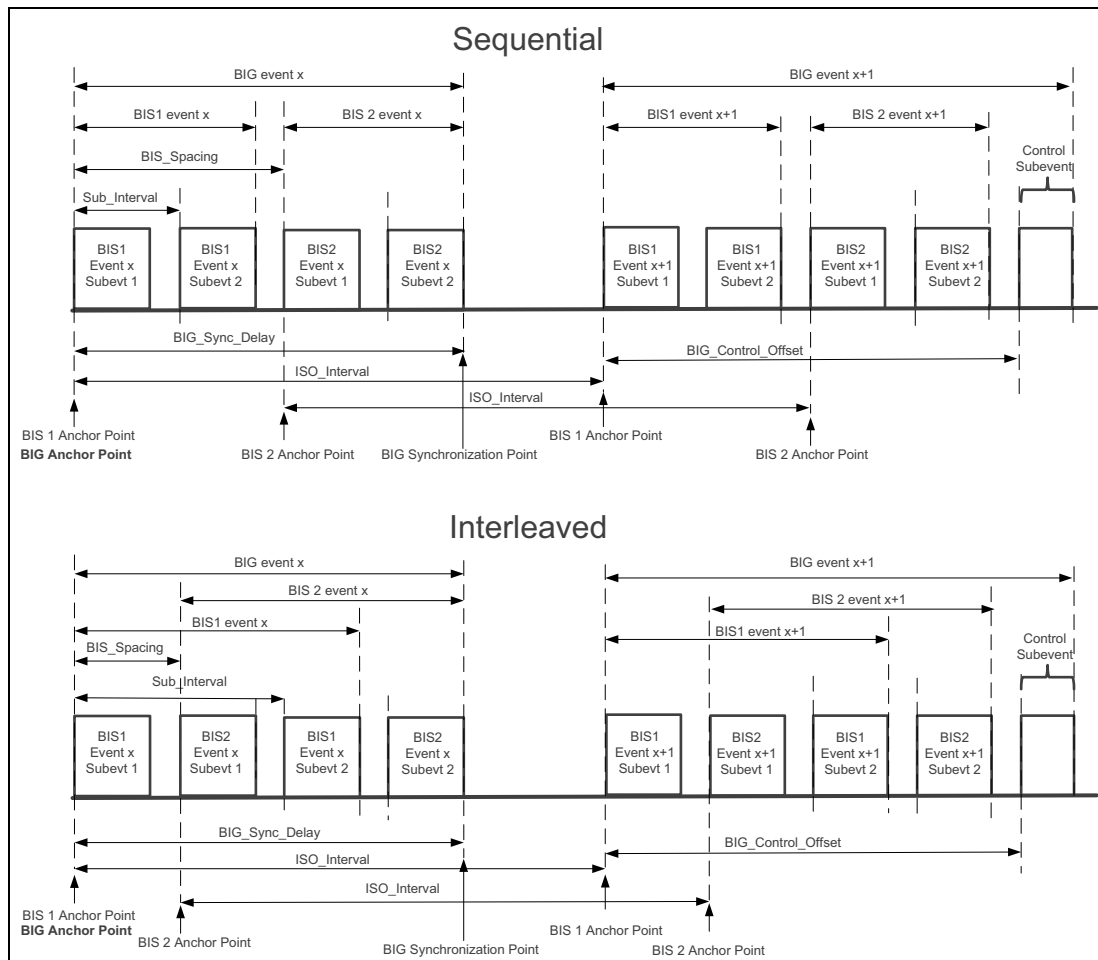


Figure 4.33: Two BISes in sequential and interleaved arrangement

The maximum possible length for the data portion of a BIG event (thus excluding any control subevent) is denoted as `BIG_Sync_Delay`. The value of `BIG_Sync_Delay` shall equal the time from the anchor point to the BIG Synchronization point, which is the instant at the end of a packet containing a payload of `Max_PDU` octets transmitted in the last subevent, as shown in Figure 4.33. Therefore, the `BIG_Sync_Delay` equals $(\text{Num_BIS} - 1) \times \text{BIS_Spacing} + (\text{NSE} - 1) \times \text{Sub_Interval} + \text{MPT}$.

4.4.6.5 Broadcast Isochronous Data

A BIS carries a single stream of isochronous data provided for broadcast. The data may be divided into payloads of at most `Max_PDU` octets, each of which is transmitted in a single BIS Data PDU; the payloads need not all be the same size and can be zero length. The BISes in a BIG carry separate but associated streams of data.

The Framed parameter of a BIG shall indicate whether all the constituent BISes are framed or unframed. Framed BIGs shall only use framed BIS Data PDUs to carry data; unframed BIGs shall only use unframed BIS Data PDUs to carry data.



Both $BIS_Spacing$ and $Sub_Interval$ shall be at least $T_MSS + MPT$.

For each BIS, the payloads shall be numbered in the order provided, starting at zero. This number shall be used as the value of *bisPayloadCounter* for the PDU containing that payload. If the source of the data fails to provide BN payloads for a BIS event, *bisPayloadCounter* shall continue to increment as if it had provided the missing payloads and the Link Layer should transmit empty PDUs.

4.4.6.6 BIS subevents

A BIS subevent is an opportunity for an Isochronous Broadcaster to transmit a Broadcast Isochronous BIS PDU and a Synchronized Receiver to receive it. The Link Layer should transmit one BIS Data PDU at the start of each subevent of the isochronous broadcasting event unless, for example, it has scheduling conflicts, but shall transmit at least one BIS PDU within any 6 consecutive BIS events on a given BIS. Where it does not transmit a PDU, the Link Layer shall behave for all other purposes (e.g. the timing of packets and the choice of payload) as if it had done so.

Each BIS subevent ends at the end of the transmitted PDU or, if the Link Layer does not transmit a PDU, the subevent is MPT in duration.

For each BIS event the source of the data shall supply a burst of data consisting of BN ("Burst Number") payloads, each of which in turn shall hold either a single fragment or one or more SDU segments. This burst is associated with the corresponding BIS event but may be transmitted in earlier events as well. Each PDU containing a given payload shall have the same LLID value but can have different CSSN and CSTF values (see [Section 4.4.6.7](#)).

Note: The burst associated with a BIS event consists of payloads with *bisPayloadCounter* between $bigEventCounter \times BN$ and $(bigEventCounter + 1) \times BN - 1$.

The subevents of each BIS event are partitioned into groups of BN subevents each. Therefore, there are Group Count (GC) groups, where $GC = NSE \div BN$.

IRC ("Immediate Repetition Count") specifies the number of groups that carry the data associated with the current BIS event; the remaining groups carry data associated with the future BIS events specified by PTO ("Pre-Transmission Offset"). IRC shall be greater than zero and not greater than GC. If $IRC = GC$ then PTO shall be ignored. Otherwise PTO shall be greater than zero.

The groups of subevents are numbered using g from 0 to $GC - 1$ in order.

- If $g < IRC$, then group g shall contain the data associated with the current BIS event.
- If $g \geq IRC$, then group g shall contain the data associated with the future BIS event that is $PTO \times (g - IRC + 1)$ BIS events after the current BIS event.



The payloads in each burst shall always be transmitted in the same order.

Note: Setting GC to a value greater than 1 provides redundant transmissions to compensate for the lack of acknowledgments when broadcasting, while setting IRC to a value less than GC (called pre-transmission) provides a greater time diversity among the redundant copies of the data.

For example, [Figure 4.34](#), [Figure 4.35](#), and [Figure 4.36](#) show the allocation of payloads to subevents for three different BISes.

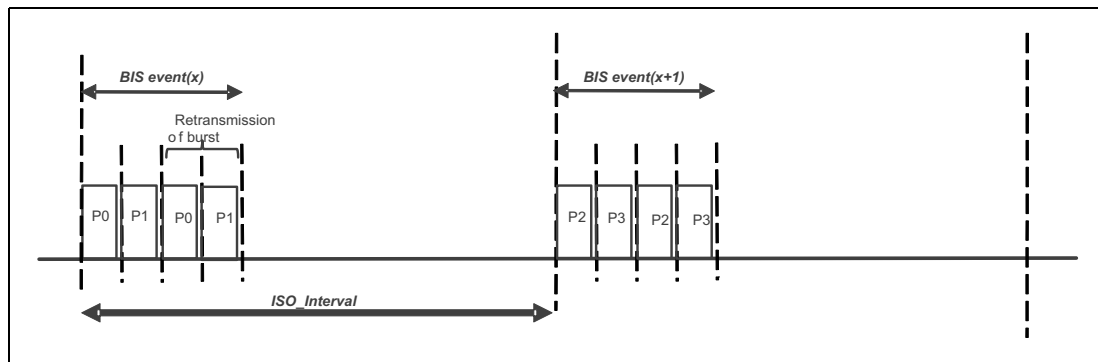


Figure 4.34: Allocations of payloads within a BIS with $BN = 2$, $IRC = 2$, $PTO = 0$, and $NSE = 4$

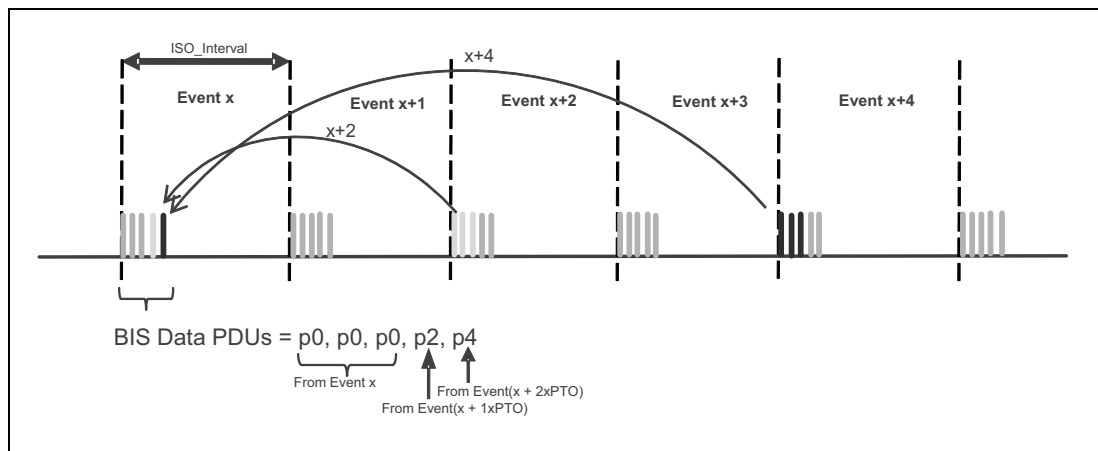


Figure 4.35: Allocations of payloads within a BIS with $BN=1$, $IRC = 3$, $PTO = 2$, and $NSE = 5$

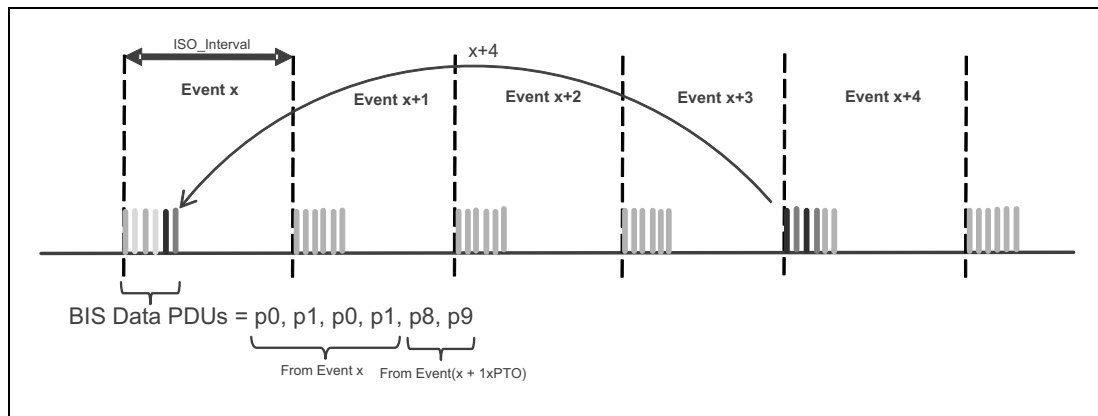


Figure 4.36: Allocations of payloads within a BIS with $BN=2$, $IRC = 2$, $PTO = 4$, and $NSE = 6$

4.4.6.7 Control subevents

Each BIG event may contain a control subevent. If so, the Link Layer shall transmit a single BIG Control PDU at the start of the control subevent to send control information about the BIG (see Section 5.6). The Link Layer shall not transmit a BIG Control PDU at any other time.

The time from the BIG anchor point to the start of the control subevent, designated $BIG_Control_Offset$, shall be:

$BIG_Control_Offset = Num_BIS * BIS_Spacing$ for sequential arrangement

$BIG_Control_Offset = NSE * Sub_Interval$ for interleaved arrangement

Note: See Section 4.4.6.4 for sequential and interleaved arrangements of the BISes in a BIG.

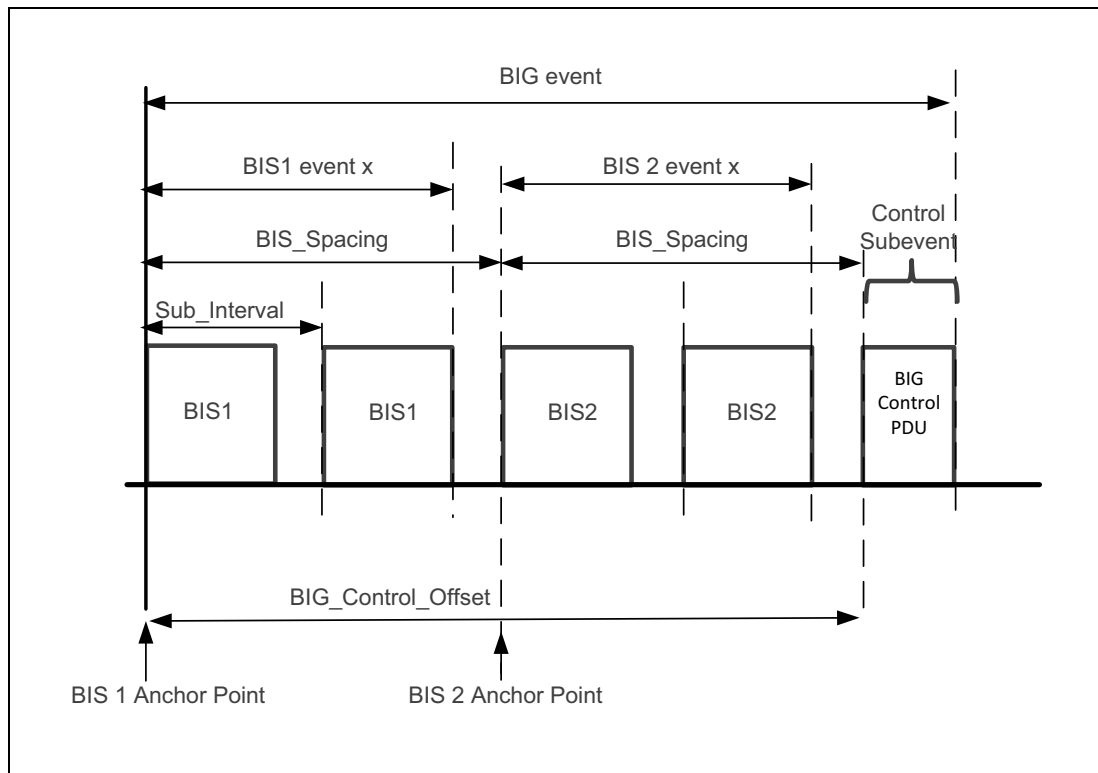


Figure 4.37: Example of a Control subevent in a BIG with 2 BISes in sequential arrangement

If the Link Layer schedules a BIG Control PDU to be transmitted in a BIG event, it shall set the CSTF bit to 1 in the header of every BIS Data PDU sent in that same BIG event; otherwise it shall set the bit to 0. It shall set the CSTF bit to 0 in the header of all BIG Control PDUs.

The value of the CSSN of every BIS PDU in a BIG event shall be the same. The Link Layer shall increment CSSN by 1 (with 7 wrapping to 0) at the start of a BIG event that contains the first transmission of a new BIG Control PDU and shall leave the CSSN unchanged otherwise (i.e. when a BIG Control PDU is being retransmitted or is not scheduled to be transmitted).

Note: A Synchronized Receiver may use the CSSN to determine that a BIG Control PDU is a retransmission of one that it has already received.

4.4.6.8 Channel indices

Each packet containing a BIS PDU shall be transmitted on the channel index specified by Channel Selection Algorithm #2 (see Section 4.5.8.3). The subevent number se_n shall be set to the values 1 to NSE, in order, for the subevents on a given BIS – the same values shall be used for all the BISes in a BIG – and to 1 for the control subevent.

The channel map used in the BIG shall be included in the BIGInfo. When the channel map changes, it shall be transmitted in the BIG Control logical link using the BIG Channel Map Update procedure (see Section 5.6.1).



4.4.6.9 Associated periodic advertising train

Every BIG shall have an associated periodic advertising train. A periodic advertising train shall not be associated with more than one BIG at the same time. The train and BIG may be enabled and disabled independently. The ACAD field of the AUX_SYNC_IND PDU in the periodic advertising train is used to carry the BIGInfo of a BIG. The BIGInfo shall not be transmitted when the BIG is disabled. Whenever the BIG and associated train are both active, the BIGInfo shall be transmitted in the periodic advertising train whenever the ACAD of the AUX_SYNC_IND PDU has sufficient space for carrying it.

The ACAD can be used for other information as well, such as a change in channel map. Even if it is not possible to fit both in the same PDU, the Link Layer will still need to schedule transmissions of each information so as to meet any relevant requirements.

The transmission of the AUX_SYNC_IND PDU of the associated periodic advertising train should not be scheduled within a BIG event.

4.4.6.10 Encryption

The Link Layer of an Isochronous Broadcaster or Synchronized Receiver shall support unencrypted BIGs.

A BIG may be encrypted, in which case all BIS PDUs (except those with an empty payload) of all BISes in that BIG shall be encrypted. The Link Layer shall determine if a BIG is encrypted by examining the length of the BIGInfo (see [Section 4.4.6.11](#)). The rest of this section only applies to encrypted BISes.

The following parameters shall be used in the process of encrypting or decrypting all Broadcast Isochronous PDUs in BIGs:

- Broadcast_Code – a 16-octet parameter provided by the Host. The Broadcast_Code applies to all the BISes in a single BIG and different BIGs broadcast by the same device may use different Broadcast_Codes.
- GIV – a 64-bit parameter generated by the Controller.
- GSKD – a 128-bit parameter generated by the Controller.

For each encrypted BIG, the Controller of an Isochronous Broadcaster shall generate a new GIV and GSKD using the requirements for random number generation as defined in [\[Vol 3\] Part H, Section 2](#) and shall transmit them in the BIGInfo. Each Broadcast Isochronous PDU in the encrypted BIG shall be encrypted using the CCM algorithm (see [\[Vol 6\] Part E, Section 2](#)).

4.4.6.11 BIGInfo

The length of the BIGInfo is 33 octets for an unencrypted BIG and 57 octets for an encrypted BIG. The format of the BIGInfo is shown in [Figure 4.38](#).

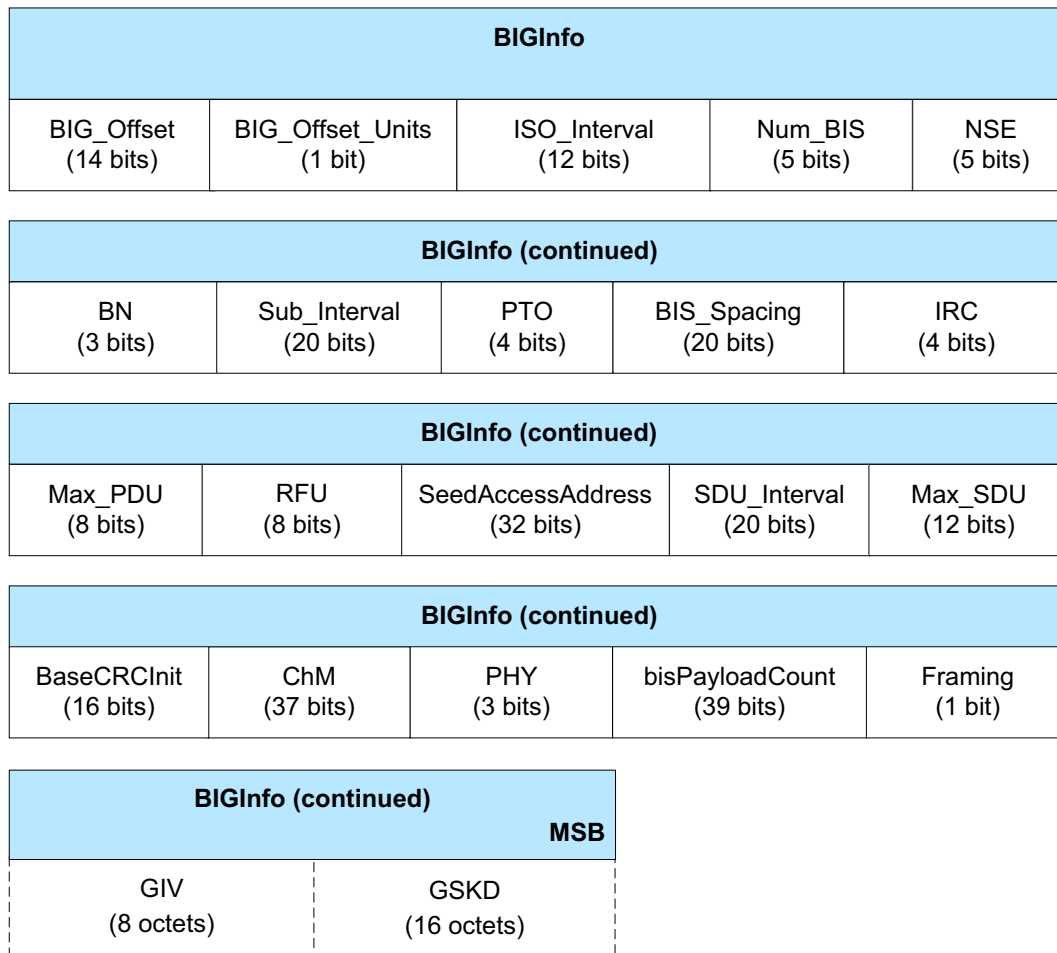


Figure 4.38: Format of BIGInfo

The BIG_Offset field contains the time from the start of the packet containing the BIGInfo to the BIG anchor point that this BIGInfo describes. The value of the BIG_Offset field is in the unit of time indicated by the BIG_Offset_Units bit; the actual time offset is determined by multiplying the value of BIG_Offset by the unit. The offset shall be greater than 600 μs.

If the BIG_Offset_Units bit is set then the unit is 300 μs; otherwise it is 30 μs. The BIG_Offset_Units bit shall not be set if the offset is less than 491,460 μs.

The BIG anchor point shall be no earlier than the offset and no later than the offset plus one unit after the start of the relevant packet, as shown in [Figure 4.39](#).

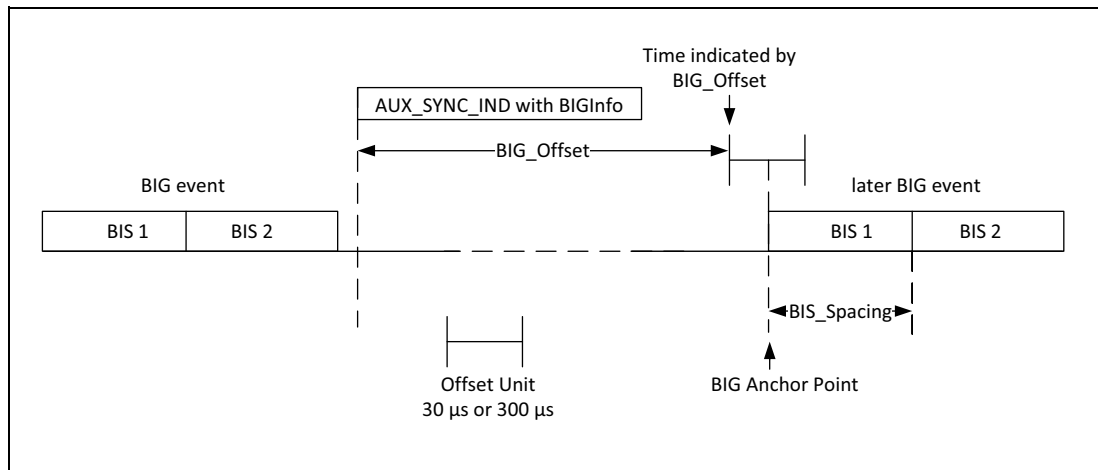


Figure 4.39: Time reference of a BIG event from a periodic advertising event.

The ISO_Interval, NSE, BN, Sub_Interval, PTO, BIS_Spacing, and IRC fields shall contain the values described in Section 4.4.6.3. Sub_Interval and BIS_Spacing shall be in units of microseconds.

The Num_BIS field shall contain the number of BISes in the BIG.

The Max_PDU field shall contain the value described in Section 4.4.6.3.

The SeedAccessAddress field shall contain the Seed Access Address for the BIG (see Section 2.1.2).

The SDU_Interval field shall contain the interval described in [Vol 6] Part G, Section 2.

The Max_SDU field shall contain the value specified in Section 4.4.6.3.

The BaseCRCInit field shall contain the value described in Section 3.1.1.

The ChM field shall have the same meaning as the corresponding field in the CONNECT_IND PDU (see Section 2.3.3.1).

The PHY field shall be set to indicate the PHY used by the BIG. The values for the PHYs are specified in Table 4.3.

Value	Meaning
0	LE 1M PHY
1	LE 2M PHY
2	LE Coded PHY
All other values	Reserved for future use

Table 4.3: PHY Types



The `bisPayloadCount` field shall contain the value specified in [Section 4.4.6.5](#). The value shall be for the first subevent of the BIG event referred to by the `BIG_Offset` field

The Framing bit shall be set if the BIG carries framed data.

The GIV and GSKD fields shall contain the values described in [Section 4.4.6.10](#) if the BIG is encrypted.

4.5 CONNECTION STATE

The Link Layer enters the Connection state when an initiator sends a `CONNECT_IND` PDU on the primary advertising physical channel to an advertiser, an advertiser receives a `CONNECT_IND` PDU on the primary advertising physical channel from an initiator, an advertiser sends an `AUX_CONNECT_RSP` PDU on the secondary advertising physical channel to an initiator, or an initiator receives an `AUX_CONNECT_RSP` PDU on the secondary advertising physical channel from an advertiser.

After entering the Connection State, the connection is considered to be created. The connection is not considered to be established at this point. A connection is only considered to be established once a data physical channel packet has been received (regardless of a valid CRC match) from the peer device. The only difference between a connection that is created and a connection that is established is the Link Layer connection supervision timeout value that is used (see [Section 4.5.2](#)).

If the connection is first created using the `CONNECT_IND` PDU on the primary advertising physical channel, it shall use the LE 1M PHY in both directions. If the connection is first created on the secondary channel using the `AUX_CONNECT_REQ` and `AUX_CONNECT_RSP` PDUs, it shall use the same PHY in both directions as was used for the `AUX_CONNECT_REQ` and `AUX_CONNECT_RSP` PDU. Either PHY may be changed subsequently using the PHY Update procedure ([Section 5.1.10](#)). When the LE Coded PHY is in use, the coding of each packet is determined by the transmitting Controller. The coding is indicated by the CI as defined in [Section 2.2.3](#) and may be different in each direction and in adjacent packets in a given direction.

When two devices are in a connection, the two devices act in different roles. A Link Layer in the Central Role is called a Central. A Link Layer in the Peripheral Role is called a Peripheral. The Central controls the timing of a connection event. A connection event is a point of synchronization between the Central and the Peripheral. There shall be only one connection, whether or not established, between two LE device addresses. An initiator shall not send a connection request to an advertiser it is already connected to. A periodic advertiser shall not send a connection request to a synchronized device that it is already connected to.



If an advertiser receives a connection request from an initiator it is already connected to, then it shall ignore that request. If a synchronized device receives a connection request from a periodic advertiser it is already connected to, then it shall ignore that request.

If the initiator sent a CONNECT_IND PDU in response to an ADV_IND or ADV_DIRECT_IND PDU and either or both devices' PDU had the ChSel field set to 0, then Channel Selection Algorithm #1 (see [Section 4.5.8.2](#)) shall be used on the connection. Otherwise, Channel Selection Algorithm #2 (see [Section 4.5.8.3](#)) shall be used.

The Central, when directed by the Host, may create a Connected Isochronous Stream (CIS) with the peer device using the Connected Isochronous Stream Creation procedure (see [Section 5.1.15](#)). The CIS shall be associated with the ACL used to create it with the same device being Central on both connections. The Link Layer may create multiple CISes with the same Peripheral.

Note: A Peripheral cannot initiate a request to create a CIS at the Link Layer level but it can do so at a higher layer.

When the ACL connection between the Central and Peripheral is terminated, all associated CISes shall be terminated at the same time.

4.5.1 Connection events

The Link Layer in the Connection state shall only transmit Data Physical Channel PDUs (see [Section 2.4](#)) in connection events. The Central and Peripheral shall determine the data channel index for each connection event as defined in [Section 4.5.8](#). The same data channel index shall be used for all packets in the connection event. Each connection event normally contains at least one packet sent by the Central. The Central can, however, completely fail to transmit in a connection event due to scheduling conflicts or the effect of the subrate factor (see below), but shall transmit at least one Data Channel PDU within each supervision timeout period (see [Section 4.5.2](#)).

During a connection event, the Central and Peripheral alternate sending and receiving packets. The connection event is considered open while both devices continue to send packets. The Peripheral shall always send a packet if it receives a packet from the Central regardless of a valid CRC match, except after multiple consecutive invalid CRC matches as specified in [Section 4.5.6](#). The Central may send a packet if it receives a packet from the Peripheral regardless of a valid CRC match, except after multiple consecutive invalid CRC matches as specified in [Section 4.5.6](#). When determining the end of the received packet, the Length and CP fields of the Header, and the CTETime field of the CTEInfo field (if present), are assumed to be correct even if the CRC match was invalid; however, if the receiving device can determine the correct Length and CTETime in some other way, it may use those values instead of those in the Header.



The connection event can be closed by either device, as defined in [Section 4.5.6](#).

Both the Central and the Peripheral shall have a 16-bit connection event counter (*connEventCounter*), containing the value *connEventCount*, for each ACL connection. Each counter shall be set to zero on the first connection event and shall be incremented by one for each new connection event; the *connEventCounter* shall wrap from 0xFFFF to 0x0000. This counter is used to synchronize Link Layer control procedures.

Both devices shall increment *connEventCounter* for all connection events, even if the Peripheral is not listening to the Central in those events or the Central did not transmit during the event (e.g., because of subrating or Peripheral latency).

The timing of connection events is determined by the following parameters: connection interval (*connInterval*), subrate base event (*connSubrateBaseEvent*), subrate factor (*connSubrateFactor*), continuation number (*connContinuationNumber*), and Peripheral latency (*connPeripheralLatency*).

The start of a connection event is called an anchor point. If the Central transmits in a connection event, it shall start to transmit a Data Physical Channel PDU to the Peripheral at the anchor point. The start of connection events are spaced regularly with an interval of *connInterval* and shall not overlap. The Central shall ensure that a connection event closes at least T_{IFS} before the anchor point of the next connection event. The Peripheral should listen for the packet sent by its Central at the anchor point.

The *connInterval* shall be a multiple of 1.25 ms in the range 7.5 ms to 4.0 s. The *connInterval* is set by the Initiator's Link Layer in the CONNECT_IND or AUX_CONNECT_REQ PDU from the range given by the Host and can be changed using the Connection Update procedure (see [Section 5.1.1](#)) or Connection Parameters Request procedure (see [Section 5.1.7](#)).

The subrate factor allows the Central and Peripheral to use a reduced number of connection events. The Central shall only transmit on subrated connection events, the events specified in [Section 5.1.1](#), and, if the continuation number is non-zero, continuation events.

A subrated connection event is a connection event where (*connEventCount* - *connSubrateBaseEvent*) is an integer multiple of *connSubrateFactor*; *connSubrateBaseEvent* is a *connEventCount* that is used to determine the phase of the subrated events. The connection event where *connEventCount* equals *connSubrateBaseEvent* will always be a subrated connection event. Adding an integer multiple of *connSubrateFactor* to *connSubrateBaseEvent* (including a negative multiple) results in a *connEventCount* value that will also always be a subrated connection event. For example, if *connSubrateFactor* equals 100, then *connSubrateBaseEvent* values of 42, 6942, and 65442 are



equivalent. In each case, connection event number 24242 is a subrated event because $24242 - 42 = 24200$, $24242 - 6942 = 17300$, and $24242 - 65442 = -41200$ are all integer multiples of 100.

A continuation event is a connection event where, in at least one of the previous *connContinuationNumber* connection events (ignoring any before the last subrated connection event), at least one packet was transmitted or validly received containing a Link Layer PDU with a non-zero Length field. Continuation events are determined by activity in a subrated connection event and any subsequent continuation events. Some connection events between two consecutive subrated connection events might not be continuation events.

The value of *connSubrateFactor* shall be in the range 1 to 500 and shall be set to 1 for a new connection. A Controller shall either support only a *connSubrateFactor* of 1 (in which case the value of *connSubrateBaseEvent* will not be used) or shall support all valid subrate factors. The value of *connContinuationNumber* shall be in the range 0 to *connSubrateFactor* - 1 and shall be set to zero for a new connection. A Controller shall support all valid continuation numbers.

Figure 4.40 and Figure 4.41 show how the subrate base event affects which events are subrated connection events.

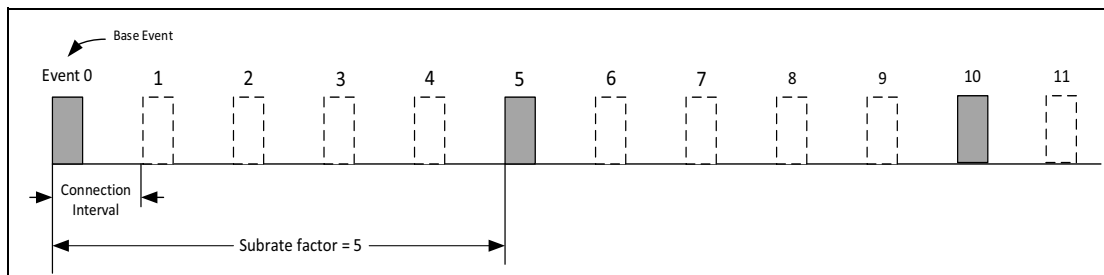


Figure 4.40: Connection events used when *connSubrateFactor* = 5 and *connSubrateBaseEvent* = 0

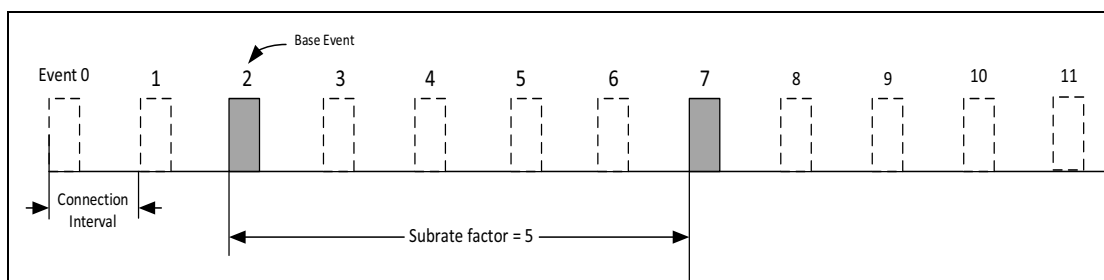


Figure 4.41: Connection events used when *connSubrateFactor* = 5 and *connSubrateBaseEvent* = 2

Peripheral latency also allows a Peripheral to use a reduced number of connection events. The *connPeripheralLatency* parameter defines the number of consecutive subrated connection events that the Peripheral is not required to listen for the Central. For example, if *connSubrateFactor* is 3, *connContinuationNumber* is 0, and *connPeripheralLatency* is 6, then a



Peripheral implementation can choose to only listen to every 21st connection event (i.e., every 7th subrated connection event).

connPeripheralLatency shall be an integer such that $connSubrateFactor \times (connPeripheralLatency + 1)$ is less than or equal to 500 and $connInterval \times connSubrateFactor \times (connPeripheralLatency + 1)$ is less than half *connSupervisionTimeout*. When *connPeripheralLatency* is set to zero the Peripheral should listen at the anchor point of every subrated connection event and continuation event. Irrespective of Peripheral latency, if the Peripheral receives a valid packet from the Central at a subrated connection event, it shall listen at the anchor point of every continuation event before the next subrated connection event. If the Peripheral does not receive a valid packet from the Central after applying Peripheral latency, it should listen at each of the subrated anchor points and not apply Peripheral latency until it receives a packet from the Central. Irrespective of the value of *connPeripheralLatency* or any scheduling conflicts, the Peripheral shall listen for the Central at least once within each connection supervision timeout duration (see Section 4.5.2).

Figure 4.42 to Figure 4.44 show how the connection events are used for various values of *connSubrateFactor*, *connPeripheralLatency*, and *connContinuationNumber*. In the figures, S indicates the subrated events, C indicates continuation events, and L indicates subrated events where Peripheral latency is applied. In Figure 4.43, the data is being transmitted by the Peripheral, not the Central.

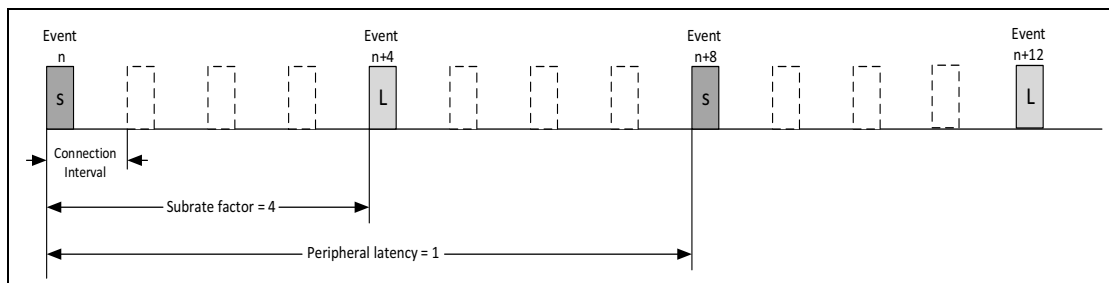


Figure 4.42: Connection events used when *connSubrateFactor* = 4, *connPeripheralLatency* = 1, and *connContinuationNumber* = 0

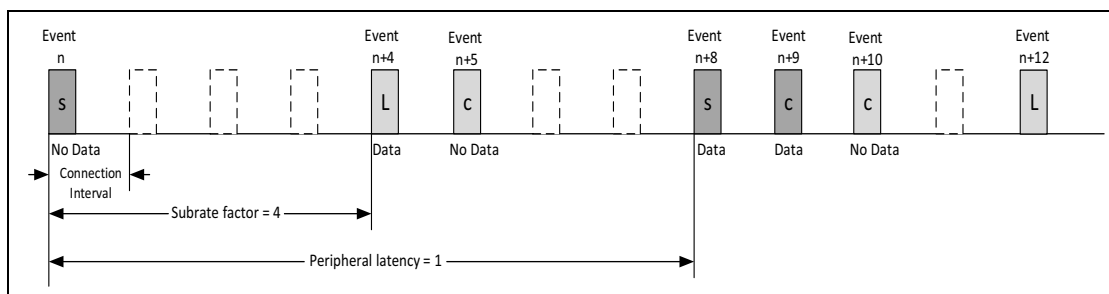


Figure 4.43: Connection events used when *connSubrateFactor* = 4, *connPeripheralLatency* = 1, and *connContinuationNumber* = 1

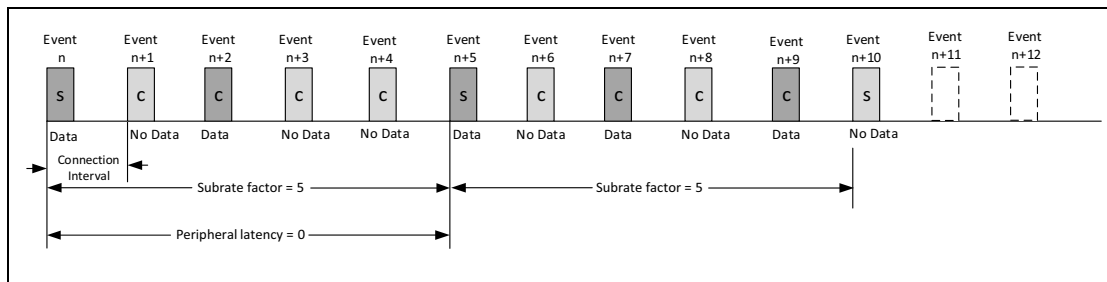


Figure 4.44: Connection events used when *connSubrateFactor* = 5, *connPeripheralLatency* = 0, and *connContinuationNumber* = 2

If the Connection Subrating feature is supported then, when *connEventCounter* wraps, the Link Layer shall set the value of *connSubrateBaseEvent* to $(connSubrateBaseEvent + K \times connSubrateFactor - 65536)$, where *K* is any integer that will cause the new value to be in the range 0 to 65535, so that the subrated connection events will remain equally spaced.

4.5.2 Supervision timeout

A connection can break down due to various reasons such as a device moving out of range, encountering severe interference or a power failure condition. Since this may happen without any prior warning, it is important for both the Central and the Peripheral to monitor the status of the connection.

To be able to detect link loss in an ACL connection, both the Central and the Peripheral shall use an ACL connection supervision timer, $T_{LLconnSupervision}$. Upon reception of a valid packet on the ACL, the timer shall be reset. To be able to detect link loss in a CIS, both the Central and the Peripheral shall use a CIS supervision timer, $T_{CISsupervision}$. Upon reception of a valid packet on the CIS, the timer $T_{CISsupervision}$ shall be reset.

If the ACL connection supervision timer reaches $6 \times connInterval$ before the connection is established (see Section 4.5), the ACL connection may, but should not, be considered lost. If the ACL connection is not established after 6 connection events, it shall be considered lost. This enables fast termination of ACL connections that fail to establish.

Depending on the connection interval and whether a `CONNECT_IND` or `AUX_CONNECT_REQ` PDU was used, this timer can expire after 4, 5, or 6 connection events.

Because a packet with a CRC error is sufficient to establish the connection, the connection can become established without the timer $T_{LLconnSupervision}$ being reset.

When establishing a CIS, the Central shall start the CIS supervision timer at the start of the next CIS event after receiving the acknowledgment for the `LL_CIS_IND`. If the CIS supervision timer reaches $6 \times ISO_Interval$ before the CIS is established, the CIS shall be considered lost.



When establishing a CIS, the Peripheral shall start the CIS supervision timer at the start of the next CIS event after receiving the LL_CIS_IND. If the CIS supervision timer reaches $6 * ISO_Interval$ before the CIS is established, the CIS shall be considered lost.

Connection supervision timeout (*connSupervisionTimeout*) is a parameter that defines the maximum time between two received Data Channel PDUs or Connected Isochronous PDUs before the connection is considered lost. The *connSupervisionTimeout* shall be a multiple of 10 ms in the range 100 ms to 32.0 s and it shall be larger than

$$(1 + connPeripheralLatency) \times connSubrateFactor \times connInterval \times 2.$$

If, at any time in Connection State outside a connection event after the connection has been established, the timer $T_{LLconnSupervision}$ reaches the *connSupervisionTimeout* value, the connection shall be considered lost (see [Section 4.5.12](#)).

If, at any time in Connection State outside a CIS event after the CIS has been established, the timer $T_{CISsupervision}$ reaches the *connSupervisionTimeout* value, the CIS shall be considered lost.

In either case, the Controller may send the notification of the loss earlier provided that the most recent event has closed and the timer will reach the *connSupervisionTimeout* value before the next ACL or CIS anchor point.

In either case the Controller may, but should not, consider the connection lost at any time within an event after the timer reaches *connSupervisionTimeout*.

The supervision timeout can be changed using the Connection Update procedure (see [Section 5.1.1](#)) or the Connection Parameters Request procedure (see [Section 5.1.7](#)). If either of these procedures are used, the new value shall be greater than twice the ISO_Interval of any associated CIS.

Each *supervision timeout period* starts with the event following the reception of a valid packet and ends with the last event before the timer reaches the *connSupervisionTimeout* value.

4.5.3 Connection event transmit window

To allow the Central to efficiently schedule connection events for multiple connections or other activities it may be involved in, the Central has the flexibility to schedule the first connection event anchor point at a time of its choosing. The CONNECT_IND and AUX_CONNECT_REQ PDUs include parameters to determine when the Central sends its first packet in the Connection State to set the anchor point and when the Peripheral listens.

The CONNECT_IND and AUX_CONNECT_REQ PDUs include three parameters used to determine the transmit window. The transmit window starts at *transmitWindowDelay* + *transmitWindowOffset* after the end of the packet



containing the `CONNECT_IND` PDU or `AUX_CONNECT_REQ` PDU, and the *transmitWindowSize* parameter shall define the size of the transmit window. The *connInterval* is used in the calculation of the maximum offset and size of the transmit window. The *transmitWindowOffset* and *transmitWindowSize* parameters are determined by the Link Layer.

The *transmitWindowOffset* shall be a multiple of 1.25 ms in the range 0 ms to *connInterval*. The *transmitWindowSize* shall be a multiple of 1.25 ms in the range 1.25 ms to the lesser of 10 ms and (*connInterval* - 1.25 ms).

Therefore the start of the first packet will be no earlier than *transmitWindowDelay* + *transmitWindowOffset* and no later than *transmitWindowDelay* + *transmitWindowOffset* + *transmitWindowSize* after the end of the packet containing the `CONNECT_IND` PDU or `AUX_CONNECT_REQ` PDU.

The value of *transmitWindowDelay* shall be 1.25 ms when a `CONNECT_IND` PDU is used, 2.5 ms when an `AUX_CONNECT_REQ` PDU is used on an LE Uncoded PHY, and 3.75 ms when an `AUX_CONNECT_REQ` PDU is used on the LE Coded PHY.

4.5.4 Connection setup – Central Role

After the initiator sends a `CONNECT_IND` PDU on the primary advertising physical channel or receives an `AUX_CONNECT_RSP` PDU on the secondary advertising physical channel, the Link Layer is in the Connection state in the Central Role. The Central shall reset the Link Layer connection supervision timer $T_{LLconnSupervision}$. The Link Layer shall notify the Host that the connection has been created. The first connection event shall use the data channel index specified in [Section 4.5.8](#).

The Central shall start to send the first packet within the transmit window as defined in [Section 4.5.3](#). The Central's first packet can extend beyond the transmit window.

The first packet sent in the Connection State by the Central determines the anchor point for the first connection event, and therefore the timings of all future connection events in this connection.

The second connection event anchor point shall be *connInterval* after the first connection event anchor point. All the normal connection event transmission rules specified in [Section 4.5.1](#) shall apply.

Two examples of the LL connection setup procedure timing from the Central's perspective are shown in [Figure 4.45](#) and in [Figure 4.46](#).

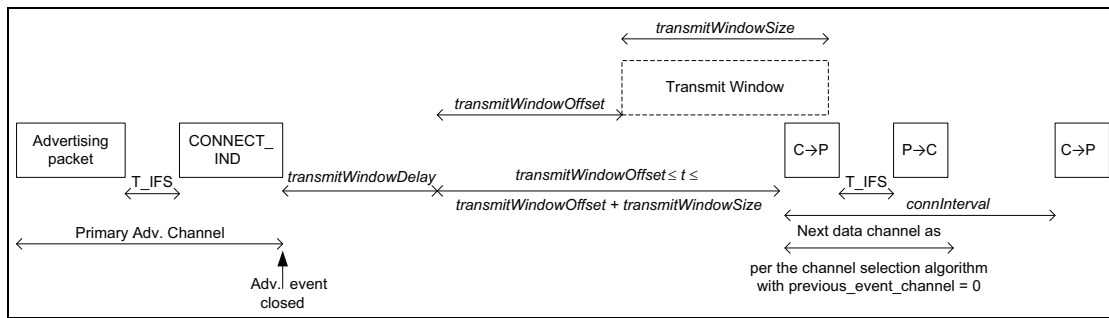


Figure 4.45: Central's view of LL connection setup with CONNECT_IND

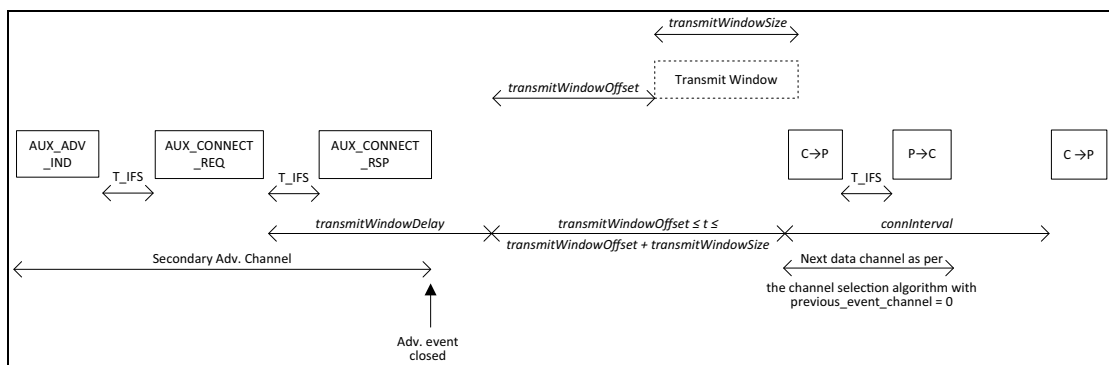


Figure 4.46: Central's view of LL connection setup with AUX_CONNECT_REQ

4.5.5 Connection setup – Peripheral Role

After the advertiser receives a CONNECT_IND PDU on the primary advertising physical channel or sends an AUX_CONNECT_RSP PDU on the secondary advertising physical channel, the Link Layer is in the Connection state in the Peripheral Role. The Peripheral shall reset the Link Layer connection supervision timer $T_{LLconnSupervision}$. The Link Layer shall notify the Host that the connection has been created. The first connection event shall use the data channel index specified in Section 4.5.8.

The Peripheral shall start to listen for the first packet within the transmit window as defined in Section 4.5.3; while doing so, it shall perform the window widening specified in Section 4.2.4. The Central's first packet can extend beyond the transmit window, and therefore the Peripheral must take this into account.

The first packet received, regardless of a valid CRC match (i.e., only the access address needs to match), in the Connection State by the Peripheral determines the anchor point for the first connection event, and therefore the timings of all future connection events in this connection.

If a packet is not received in a transmit window, the Peripheral shall attempt to receive a packet in a subsequent transmit window. A subsequent transmit window shall start *connInterval* after the start of the previous transmit window, with the same *transmitWindowSize*. The data channel index shall be the next



data channel index as specified in [Section 4.5.8](#). The *connEventCount* shall also be incremented by one.

Two examples of the procedure from the Peripheral's perspective are shown in [Figure 4.47](#) and in [Figure 4.48](#). In these examples the Peripheral fails to receive any part of the first packet (i.e., *connEventCount* = 0) from the Central and acquires anchor point timing from the second packet (i.e., *connEventCount* = 1).

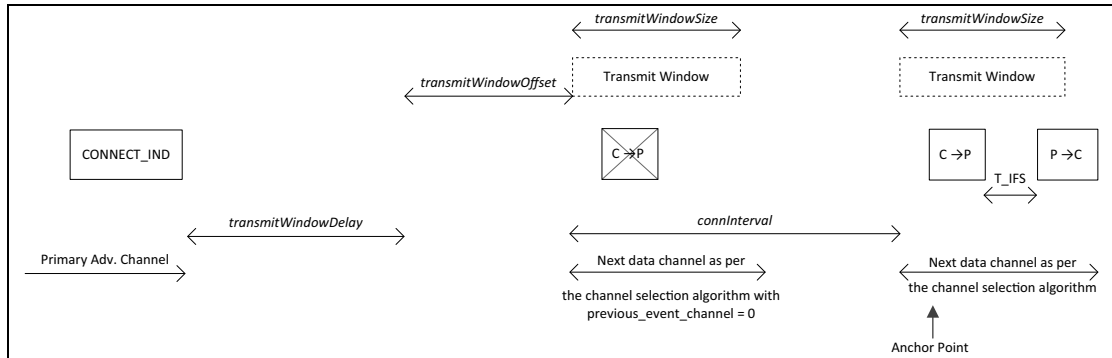


Figure 4.47: Peripheral closing LL connection setup in the second LL connection event with *CONNECT_IND*

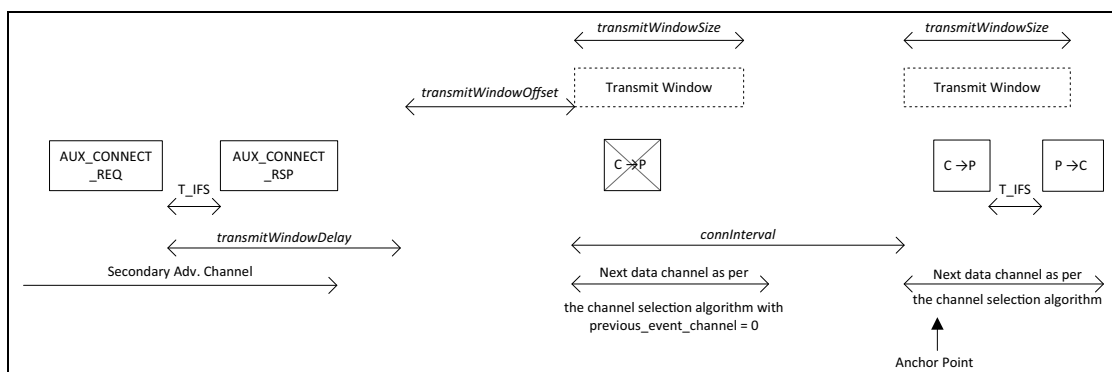


Figure 4.48: Peripheral closing LL connection setup in the second LL connection event with *AUX_CONNECT_REQ*

The Peripheral shall be active in every connection event until it receives a packet from the Central with the NESN set to one. From then on it may use Peripheral latency as defined in [Section 4.5.1](#).

4.5.6 Closing connection events

The MD bit of the Header of the Data Physical Channel PDU is used to indicate that the device has more data to send. If neither device has set the MD bit in their packets, the packet from the Peripheral closes the connection event. If either or both of the devices have set the MD bit, the Central may continue the connection event by sending another packet, and the Peripheral should listen after sending its packet.



Failure to receive a packet, or two consecutive packets received with an invalid CRC match within a connection event shall close the event.

MD bit usage is summarized in [Table 4.4](#).

		Central	
		MD = 0	MD = 1
Peripheral	MD = 0	Central shall not send another packet, closing the connection event. Peripheral does not need to listen after sending its packet.	Central may continue the connection event. Peripheral should listen after sending its packet.
	MD = 1	Central may continue the connection event. Peripheral should listen after sending its packet.	Central may continue the connection event. Peripheral should listen after sending its packet.

Table 4.4: MD bit usage for closing connection events

4.5.7 Sleep clock accuracy

Because of sleep clock accuracies (see [Section 4.2.2](#)), there is uncertainty in the Peripheral of the exact timing of the Central’s anchor point. Therefore the Peripheral shall re-synchronize to the Central’s anchor point at each connection event where it listens for the Central. If the Peripheral receives a packet from the Central at the anchor point, regardless of a CRC match, the Peripheral shall update its timing of the anchor point.

If it listens for a packet, the Peripheral shall perform the window widening described in [Section 4.2.4](#) at each anchor point and during the Connection Update procedure (see [Section 5.1.1](#)) and Connection Parameters Request procedure (see [Section 5.1.7](#)). In doing so, and in the absence of more accurate information about the Central’s clock, the Peripheral shall use the Central’s sleep clock accuracy (*central/SCA*) from the most recent `CONNECT_IND`, `AUX_CONNECT_REQ`, `LL_CLOCK_ACCURACY_REQ`, or `LL_CLOCK_ACCURACY_RSP` PDU on the connection.

4.5.8 General-purpose channel group index selection

4.5.8.1 Channel classification

The Link Layer can classify the general-purpose channels as being *unknown*, *bad*, or *good*. These classifications are determined individually by the Link Layer based on local information (e.g., from active or passive channel assessment methods or from the Host). Information received from other devices (e.g., via an `LL_CHANNEL_MAP_IND`) shall not be included in the channel classification. The Host may provide channel classification information



to the Link Layer. The Link Layer may use the information provided by the Host.

The three possible channel classifications are defined in [Table 4.5](#).

Classification	Definition
<i>unknown</i>	A channel shall be classified as <i>unknown</i> if the channel assessment measurements are insufficient to reliably classify the channel.
<i>bad</i>	A channel may be classified as <i>bad</i> , for example, when it is marked as <i>bad</i> in the most recent HCI_LE_Set_Host_Channel_Classification command or when the assessment of failure rate or interference with other systems exceeds some threshold.
<i>good</i>	A channel shall be classified as <i>good</i> if it is neither <i>unknown</i> nor <i>bad</i> .

Table 4.5: Channel classification descriptions

The Central’s, periodic advertiser’s, and isochronous broadcaster’s Link Layer shall classify the RF channels in the general-purpose group into *used channels* (used for transmitting data) and *unused channels* (not used for transmitting data). This is called the channel map. The minimum number of used channels shall be 2.

A Central shall determine a channel map for the connection based on any combination of the following information:

- Channel classification from local measurements (e.g., active or passive channel assessment in the Controller or input from other collocated technologies)
- Channel classification information from the Host
- Channel classification reports received from the Peripheral in LL_CHANNEL_STATUS_IND PDUs (see [Section 2.4.2.39](#))

The algorithm used by the Central to combine these information sources and generate the channel map is not defined in the specification and is vendor-specific.

For a connection, the Peripheral shall receive the channel map from the Central in the CONNECT_IND PDU or the AUX_CONNECT_REQ PDU. If the Central changes the channel map it shall notify the Peripheral as specified in [Section 5.1.2](#). If the periodic advertiser changes the channel map then it shall notify any scanning devices using the Channel Map Update Indication (see Section 1.20 of [1]). On periodic advertising with responses, the advertiser shall transmit the Channel Map Update Indication data type in each subevent. If the isochronous broadcaster changes the channel map it shall notify any Synchronized Receivers as specified in [Section 5.6.1](#).



4.5.8.2 Channel Selection algorithm #1

Channel Selection Algorithm #1 only supports channel selection for connection events.

Channel Selection Algorithm #1 consists of two stages: calculation of the unmapped channel index followed by mapping this index to a data channel index from the set of *used channels*.

The *unmappedChannel* and *lastUnmappedChannel* are the unmapped channel indices of two consecutive connection events. The *unmappedChannel* is the unmapped channel index for the current connection event. The *lastUnmappedChannel* is the unmapped channel index of the previous connection event. The *lastUnmappedChannel* shall be 0 for the first connection event of a connection.

At the start of a connection event, *unmappedChannel* shall be calculated using the following basic algorithm:

$$\text{unmappedChannel} = (\text{lastUnmappedChannel} + \text{hopIncrement}) \text{ mod } 37$$

When a connection event closes, the *lastUnmappedChannel* shall be set to the value of the *unmappedChannel*.

If the *unmappedChannel* is a *used channel* according to the channel map, Channel Selection Algorithm #1 shall use the *unmappedChannel* as the data channel index for the connection event.

If the *unmappedChannel* is an *unused channel* according to the channel map, the *unmappedChannel* shall be re-mapped to one of the *used channels* in the channel map using the following algorithm:

$$\text{remappingIndex} = \text{unmappedChannel} \text{ mod } \text{numUsedChannels}$$

where *numUsedChannels* is the number of *used channels* in the channel map.

A remapping table is built that contains all the *used channels* in ascending order, indexed from zero. The *remappingIndex* is then used to select the data channel index for the connection event from the remapping table.

The complete procedure is as shown in [Figure 4.49](#).

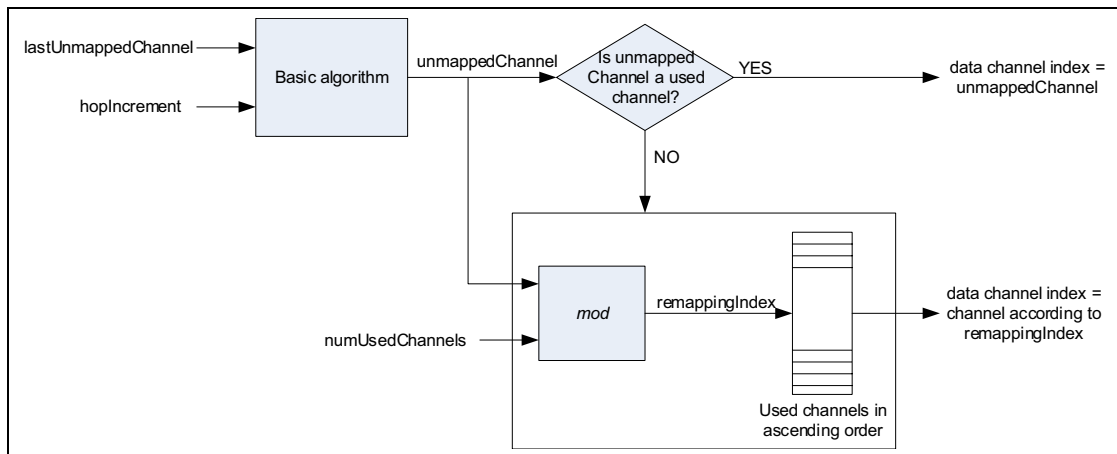


Figure 4.49: Block diagram of Channel Selection algorithm #1

4.5.8.3 Channel Selection algorithm #2

4.5.8.3.1 Overview

Channel Selection Algorithm #2 supports channel selection for connection events and for periodic advertising events and also supports subevent channel selection (see [Section 4.5.8.3.5](#)).

For each event, which can be a connection event, an isochronous event (which can be a BIS or CIS event), or a periodic advertising packet, the algorithm described here generates an event channel index (which is a general purpose channel index, as appropriate). If the event contains subevents, it also generates channel indices for each subevent.

Note: In a given event, Channel Selection Algorithm #2 results in two consecutive subevents using different channel indices.

A block diagram of the overall algorithm is shown in [Figure 4.50](#). The upper part generates event channel indices and the lower part subevent channel indices; where there are no subevents, only the upper part is required. The first subevent of an isochronous event shall use the channel index from the event mapping; all subsequent subevent(s) in that event shall use the channel index from the subevent mapping.

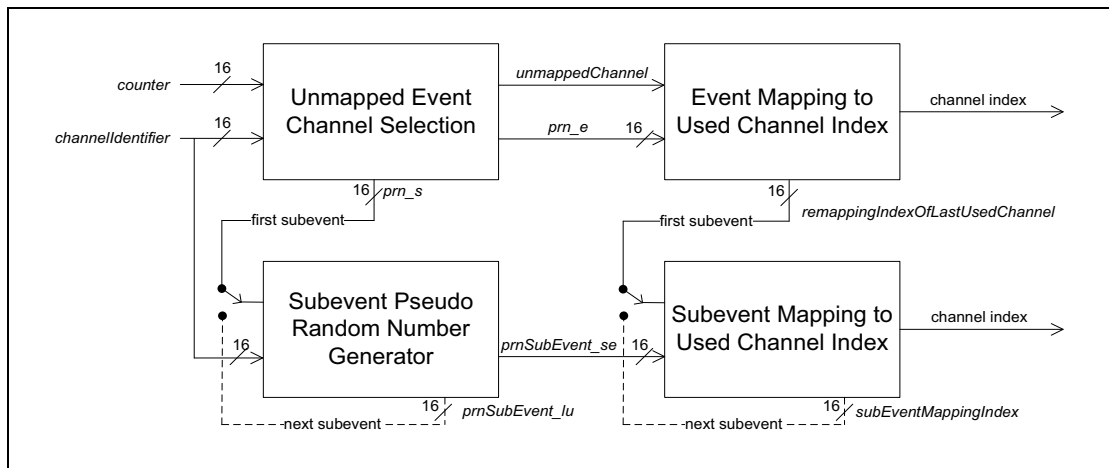


Figure 4.50: General block diagram of Channel Selection algorithm #2

4.5.8.3.2 Inputs and basic components

The algorithm makes use of the following inputs and basic components:

- The 6-bit input N is the number of channels classified as *Used* channels.
- The 16-bit input *channelIdentifier* is fixed for any given connection or periodic advertising train; it is calculated from the Access Address by:

$$\text{channelIdentifier} = (\text{Access Address}_{31-16}) \text{ XOR } (\text{Access Address}_{15-0})$$
- The 16-bit input *counter* changes for each event. For ACL connections it is the connection event counter *connEventCounter* defined in Section 4.5.1. For periodic advertising it is the event counter *paEventCounter* defined in Section 4.4.2.1. For PAwR, it is the XOR of the two event counters *paEventCounter* and *paSubEventCounter* defined in Section 4.4.2.1. For isochronous logical transports, it is bits 0 to 15 of the event counter *bigEventCounter* defined in Section 4.4.6.3 or *cisEventCounter* defined in Section 4.5.13.1.

For isochronous events, the input *se_n* is defined in Section 4.4.6.8 for BIS events and Section 4.5.13.6 for CIS events.

The “XOR” operation always refers to a 16-bit bit-wise XOR.

The symbol $\lfloor \cdot \rfloor$ is used to represent the floor function (the greatest integer less than or equal to the argument).

The permutation operation consists of separately bit-reversing the lower 8 input bits and upper 8 input bits, as illustrated in Figure 4.51.

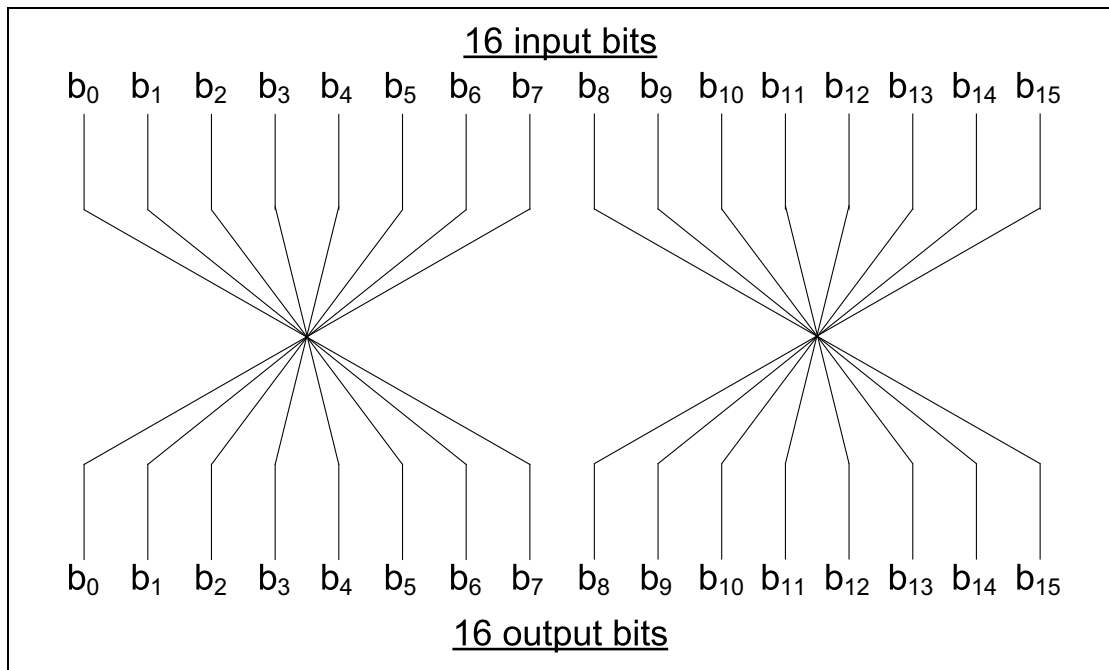


Figure 4.51: Permutation operation

The Multiply, Add, and Modulo (MAM) block performs a multiplication operation, an addition operation, and a *mod* operation, as illustrated in Figure 4.52.

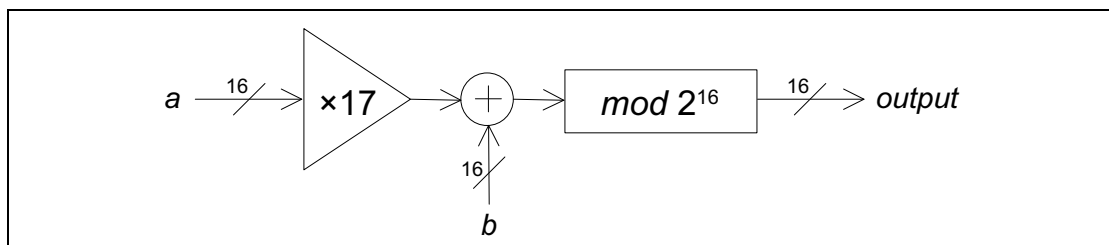


Figure 4.52: Multiply, Add, and Modulo block operation

The output of the MAM operation, given inputs *a* and *b*, is:

$$output = (17 \times a + b) \text{ mod } 2^{16}$$

A *remapping table* is built that contains all the *used channels* in ascending order, indexed from zero.

4.5.8.3.3 Unmapped event channel selection

The unmapped event channel selection process consists of two stages. First, the two unsigned pseudo-random numbers *prn_e* and *prn_s* are generated (*prn_s* is only used for subevent channel selection), after which the unmapped channel index *unmappedChannel* is derived from *prn_e*.



The first stage shall be as shown in [Figure 4.53](#).

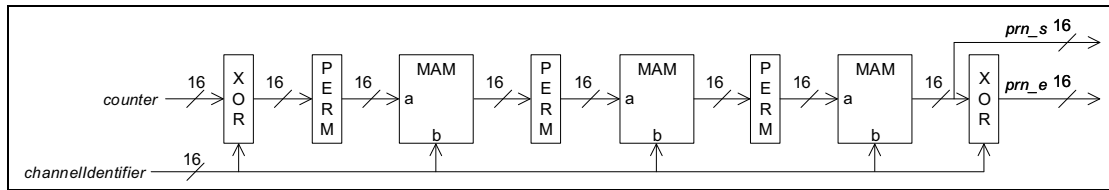


Figure 4.53: Event pseudo-random number generation

unmappedChannel is then calculated as $prn_e \bmod 37$. A block diagram of the overall process is shown in [Figure 4.54](#).

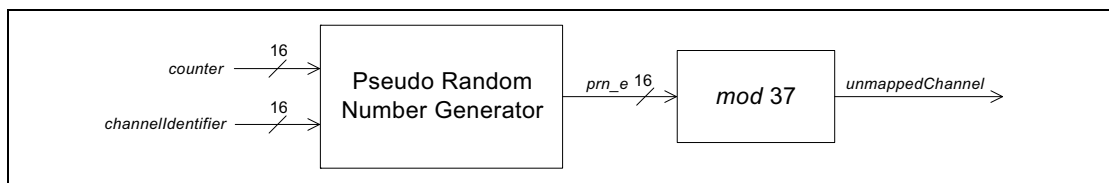


Figure 4.54: Unmapped channel selection process

4.5.8.3.4 Event mapping to used channel index

If *unmappedChannel* is the channel index of a *used channel* according to the channel map, it is used as the channel index for the event. If *unmappedChannel* is the index of an *unused channel* according to the channel map, then the channel index for the event is calculated from *prn_e* and *N* (the number of *used channels*) by first calculating the value *remappingIndex* as:

$$remappingindex = \left\lfloor \left(\frac{N \times prn_e}{2^{16}} \right) \right\rfloor$$

and then using *remappingIndex* as an index into the remapping table to obtain the channel index for the event.

In either case, the value *remappingIndexOfLastUsedChannel* is the index in the remapping table of the channel index for the event. This value is only used for subevent channel selection.

The overall process is illustrated in [Figure 4.55](#).

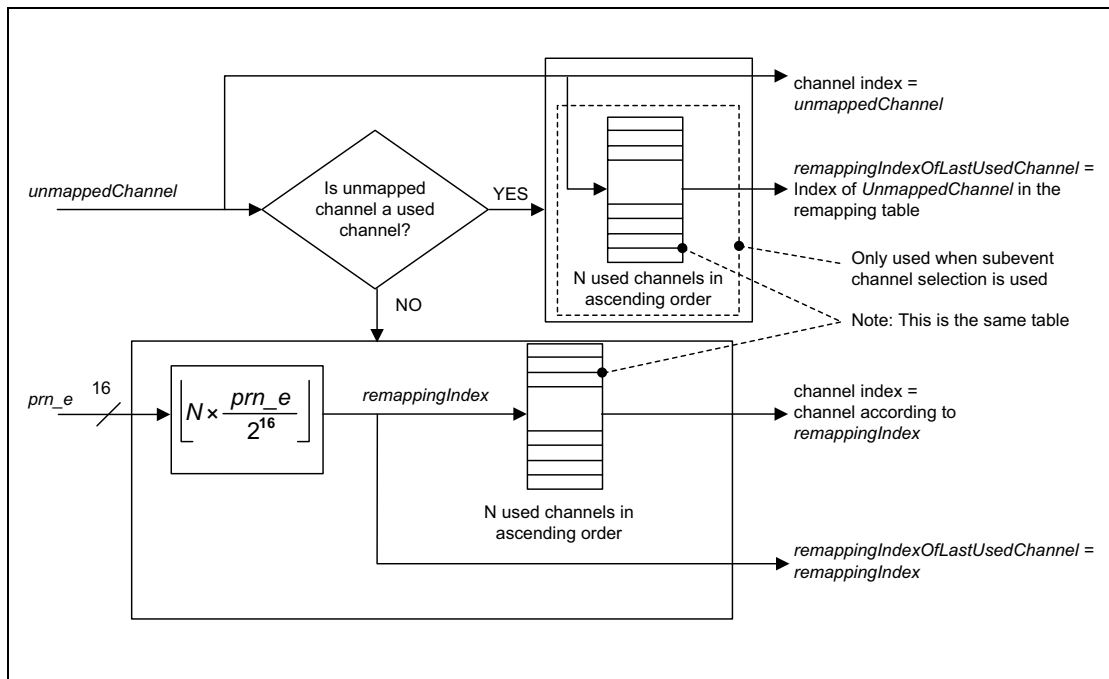


Figure 4.55: Event mapping to used channel index process

4.5.8.3.5 Subevent pseudo-random number generation

Subevent pseudo-random number generation involves generating two more pseudo-random numbers $prnSubEvent_se$ and $prnSubEvent_lu$ for each subevent. The process shall be as shown in Figure 4.56.

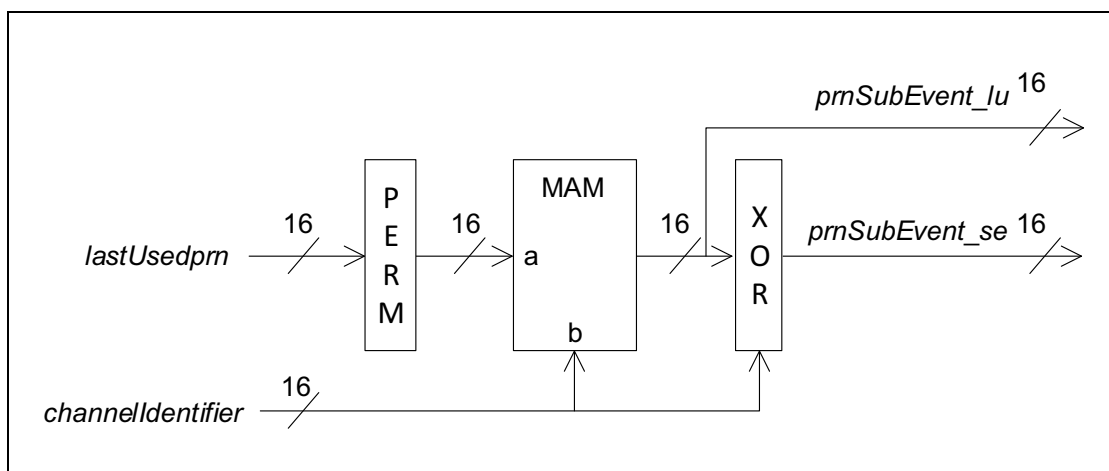


Figure 4.56: Subevent pseudo-random number generation process

Where:

$$lastUsedprn_{se_n} = \begin{cases} prn_s & \text{for } se_n = 1 \\ prnSubEvent_lu_{se_n-1} & \text{for } se_n > 1 \end{cases}$$



4.5.8.3.6 Subevent mapping to used channel index

The channel index for a subevent is determined in two stages: calculating the subevent index *subEventIndex* and then indexing into the remapping table. The value *subEventIndex* is calculated as:

$$subEventIndex_{se_n} = \left(indexOfLastUsedChannel_{se_n} + d + \left\lfloor prnSubEvent_se_{se_n} \times \frac{N - 2d + 1}{2^{16}} \right\rfloor \right) \bmod N$$

where *indexOfLastUsedChannel* is:

$$indexOfLastUsedChannel_{se_n} = \begin{cases} remappingIndexOfLastUsedChannel & \text{for } se_n = 1 \\ subEventIndex_{se_n-1} & \text{for } se_n > 1 \end{cases}$$

and *d* is calculated as:

$$d = \max\left(1, \max\left(\min(3, N - 5), \min\left(11, \left\lfloor \frac{N - 10}{2} \right\rfloor\right)\right)\right)$$

where *d* is the minimum distance between the channel indices used in consecutive subevents.

The value of *subEventIndex* is then used as an index into the remapping table. The overall process is illustrated in [Figure 4.57](#).

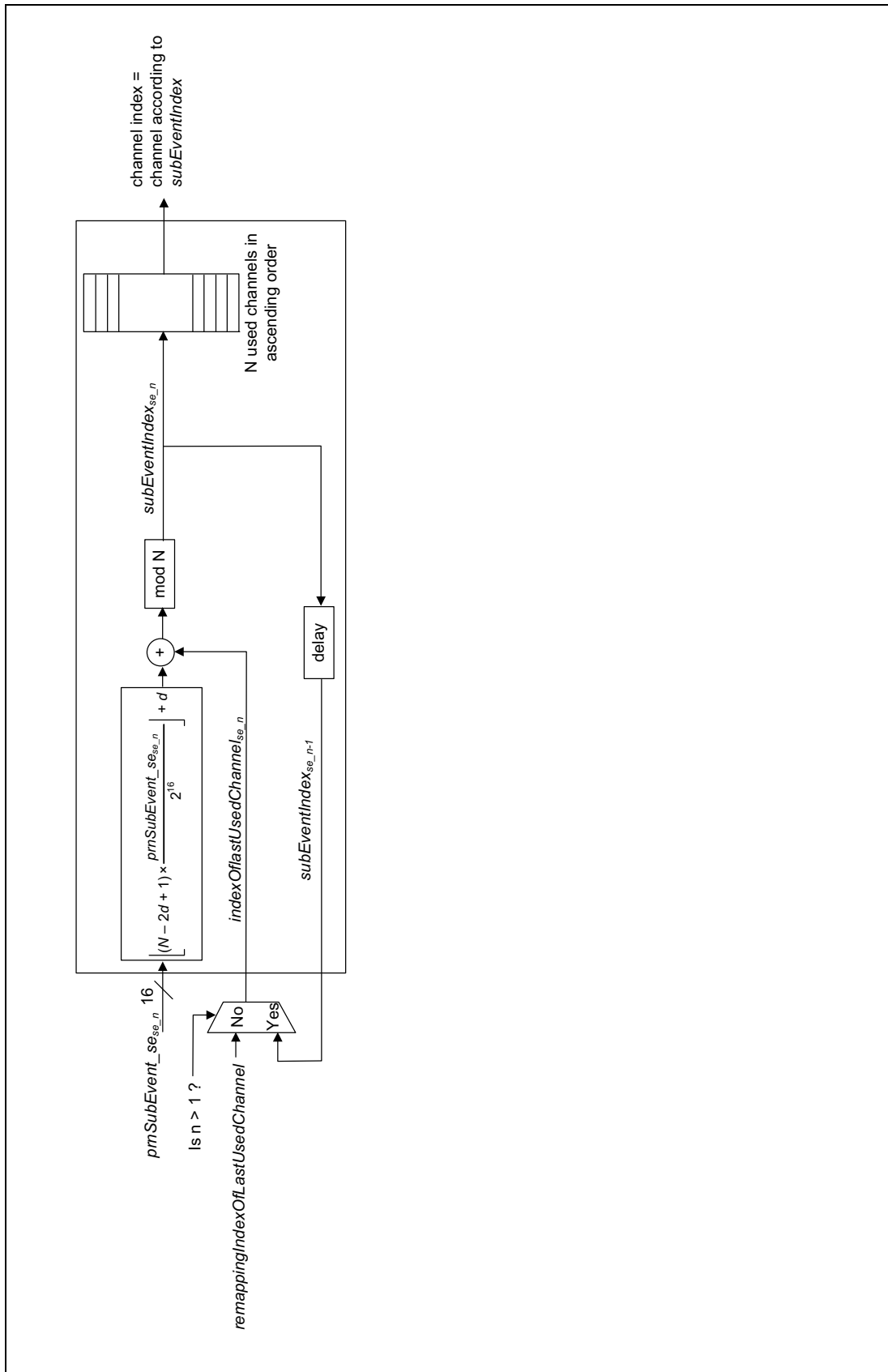


Figure 4.57: Subevent mapping to used channel index process



4.5.9 Acknowledgment and flow control

The Link Layer acknowledgment and flow control scheme shall be used in all ACL connections and CISEs. Unless specified otherwise, the unqualified use of “PDU” in this section means either a Data Physical Channel PDU or a CIS Data PDU.

For each connection the Link Layer has two parameters, *transmitSeqNum* and *nextExpectedSeqNum*, each one bit in size. The *transmitSeqNum* parameter is used to identify packets sent by the Link Layer. The *nextExpectedSeqNum* parameter is used by the Link Layer to either acknowledge the last PDU sent by the peer, or to request the peer to resend the last PDU sent.

The *transmitSeqNum* and *nextExpectedSeqNum* parameters for an ACL or CIS shall be set to zero upon entering the Connection State or when the CIS is created.

If the last Data Physical Channel PDU was sent on the LE Coded PHY, the coding scheme (see [Section 2.2.3](#)) used when resending may be the same as or different from that used in the last Data Physical Channel PDU. If the instant of a PHY Update procedure (see [Section 5.1.10](#)) occurs while a Data Physical Channel PDU is waiting to be resent, the new PHY shall be used when resending.

A new PDU is a PDU sent for the first time by the Link Layer. A last PDU is a PDU that is resent by the Link Layer. When resending a Data Physical Channel PDU, the LLID, SN, and CP fields, the CTEInfo field (if present), and the payload of the sent Data Physical Channel PDU shall be equal to those of the last Data Physical Channel PDU sent by the Link Layer. When resending a CIS Data PDU, the LLID, SN, NPI fields, and the payload of the sent CIS Data PDU shall be equal to those of the last CIS Data PDU sent by the Link Layer.

For each new PDU that is sent, the SN bit of the Header shall be set to *transmitSeqNum*. If a PDU is resent, then the SN bit shall not be changed.

Upon reception of a PDU, the SN bit shall be compared to *nextExpectedSeqNum*. If the bits are different, then this is a resent PDU, and *nextExpectedSeqNum* shall not be changed. If the bits are the same, then this is a new PDU, and *nextExpectedSeqNum* may be incremented by one (see [Section 4.5.9.1](#)).

When a PDU is sent, the NESN bit of the Header shall be set to *nextExpectedSeqNum*.

Upon receiving a PDU (including a CIS Null PDU), if the NESN bit of that PDU is the same as *transmitSeqNum*, then the last sent PDU has not been acknowledged and shall be resent except as specified below. If the NESN bit of the PDU is different from *transmitSeqNum*, then the last sent PDU has been acknowledged, *transmitSeqNum* shall be incremented by one, and a new PDU may be sent.



The above process is illustrated in [Figure 4.58](#) (tSqNo means *transmitSeqNum* and nExSqNo means *nextExpectedSeqNum*).

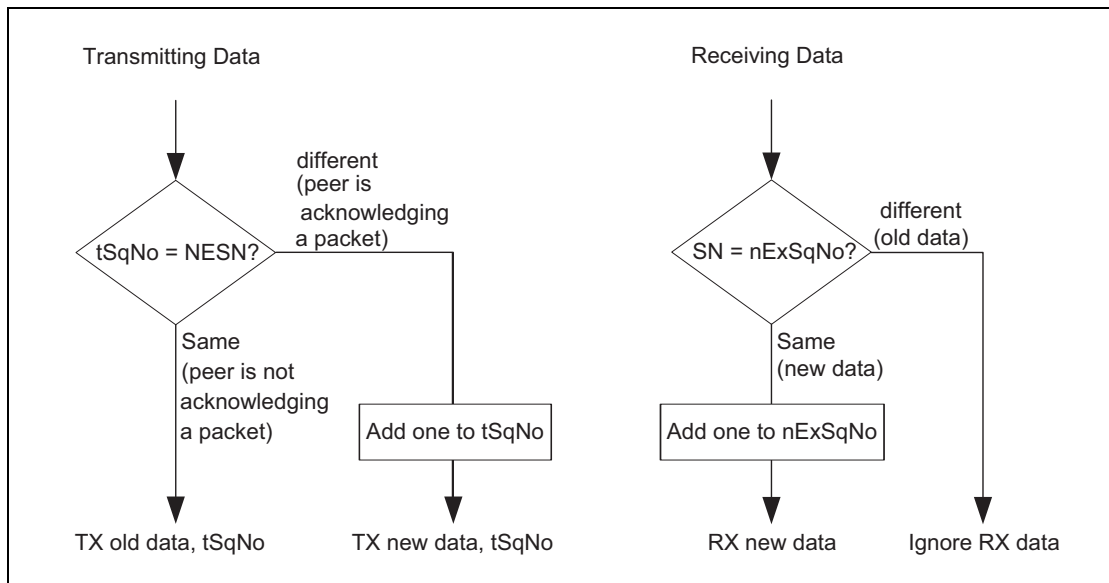


Figure 4.58: Transmit and receive SN and NESN flow diagram

If a PDU is received with an invalid CRC match, *nextExpectedSeqNum* shall not be changed except as specified below; this means that the PDU will not be acknowledged, causing the peer to resend the PDU. Since the received PDU has been rejected, the *nextExpectedSeqNum* from the peer device cannot be trusted, and therefore the last sent PDU from this device was not acknowledged and, as this section requires, must be retransmitted; *transmitSeqNum* shall not be changed.

The SN, NESN and MD bits shall be used from every received Data Physical Channel PDU which has passed the CRC check. The SN, NESN, CIE and NPI bits shall be used from every received CIS Data PDU that has passed the CRC check. The NESN, CIE and NPI bits shall be used from every received CIS Null PDU that has passed the CRC check. The PDU payload shall be ignored on every received PDU that has the same SN value as the previously received PDU.

When the transmitting Link Layer either does not send a CIS Data PDU for a given payload number or sends one but does not receive an acknowledgment for that PDU by the time the flush point occurs (see [Section 4.5.13.5](#)), the *transmitSeqNum* shall be incremented by one and the PDU shall not be retransmitted after the flush point.

When the Link Layer expecting to receive a CIS Data PDU either does not receive that PDU or fails to acknowledge the PDU by the time the flush point occurs, the *nextExpectedSeqNum* shall be incremented by one and the Link Layer shall not expect the PDU to be retransmitted after the flush point.



The increments to *transmitSeqNum* and *nextExpectedSeqNum* shall not happen before the end of the CIS subevent that marks the flush point of the PDU in question.

These rules mean that both devices act, for the purposes of this section, as if, for every payload number, a CIS Data PDU was received and acknowledged at the flush point of that payload number if not before. For example, this means that two consecutive transmitted or successfully received CIS Data PDUs can have the same sequence number but different contents because the intermediate PDU was not transmitted. For any CIS Data PDU, *transmitSeqNum* will equal *cisPayloadCounter₀*.

4.5.9.1 Flow control

A Link Layer may fail to update *nextExpectedSeqNum* for reasons, including, but not limited to, lack of receive buffer space. This will cause the peer to resend the Data Physical Channel PDU at a later time, thus enabling flow control.

4.5.10 Data PDU length management

The Controller shall maintain the following global parameters.

Note: All parameters with "Octets" in the name represent the length of the Payload field of an LL Data PDU. All parameters with "Time" in the name represent the time taken to transmit a packet in microseconds.

- *connInitialMaxTxOctets* - the value of *connMaxTxOctets* that the Controller will use for a new connection.
- *connInitialMaxTxTime* - a value that the Controller will use to determine the value of *connMaxTxTime* that it will use for a new connection.
- *connInitialMaxTxTimeUncoded* - the value of *connMaxTxTime* that the Controller will use for a new connection on an LE Uncoded PHY. The value of *connInitialMaxTxTimeUncoded* shall be the greater of 328 and the value of *connInitialMaxTxTime*.
- *connInitialMaxTxTimeCoded* - the value of *connMaxTxTime* that the Controller will use for a new connection on the LE Coded PHY. The value of *connInitialMaxTxTimeCoded* shall be the greater of 2704 and the value of *connInitialMaxTxTime*.
- *supportedMaxTxOctets* - the maximum value of *connMaxTxOctets* that the Controller supports.
- *supportedMaxTxTime* - the maximum value of *connMaxTxTime* that the Controller supports.
- *supportedMaxRxOctets* - the maximum value of *connMaxRxOctets* that the Controller supports.
- *supportedMaxRxTime* - the maximum value of *connMaxRxTime* that the Controller supports.



Note: 2704 μ s is derived from the duration of a packet with a 27 octet payload when sent on the LE Coded PHY using S=8 coding.

The Controller shall maintain the following parameters for each connection:

- *connMaxTxOctets* - the maximum number of octets in the Payload that the local device will send to the remote device.
- *connMaxRxOctets* - the maximum number of octets in the Payload that the local device is able to receive from the remote device.
- *connRemoteMaxTxOctets* - the maximum number of octets in the Payload that the remote device will send to the local device.
- *connRemoteMaxRxOctets* - the maximum number of octets in the Payload that the remote device is able to receive from the local device.
- *connMaxTxTime* - the maximum number of microseconds that the local device will take to transmit a packet to the remote device.
- *connMaxRxTime* - the maximum number of microseconds that the local device can take to receive a packet from the remote device.
- *connRemoteMaxTxTime* - the maximum number of microseconds that the remote device will take to transmit a packet to the local device.
- *connRemoteMaxRxTime* - the maximum number of microseconds that the remote device can take to receive a packet from the local device.

The values of the above parameters (both global and per-connection) shall each be within the range given in [Table 4.6](#):

LE Data Packet Length Extension feature supported	LE Coded PHY feature supported	CTEs supported on Data Physical Channel PDUs	Parameters with names containing "Octets"		Parameters with names containing "Time"	
			Minimum	Maximum	Minimum	Maximum
No	No	No	27	27	328	328
Yes	No	No	27	251	328	2120
No	No	Yes	27	27	328	336
Yes	No	Yes	27	251	328	2128
No	Yes	Don't care	27	27	328	2704
Yes	Yes	Don't care	27	251	328	17040

Table 4.6: Valid ranges for data PDU length management parameters



The following values are derived from the parameters maintained by the Controller:

- *connEffectiveMaxTxOctets* - the lesser of *connMaxTxOctets* and *connRemoteMaxRxOctets*.
- *connEffectiveMaxRxOctets* - the lesser of *connMaxRxOctets* and *connRemoteMaxTxOctets*.
- *connEffectiveMaxTxTimeUncoded* - the lesser of *connMaxTxTime* and *connRemoteMaxRxTime*.
- *connIntervalRequired* - the value $(2 * T_IFS) + \min(\text{connEffectiveMaxRxTime}, ((\text{connEffectiveMaxRxOctets} * 64) + 976))$.

- *connIntervalCodedMin* - *connIntervalRequired* + 2704.

Note: 976 μ s and 2704 μ s are the durations of packets with a zero octet and 27 octet payload when sent on the LE Coded PHY using S=8 coding.

- *connIntervalPortionAvailable* - the current *connInterval* for the connection minus *connIntervalRequired*.
- *connEffectiveMaxTxTimeAvailable* - the lesser of *connEffectiveMaxTxTimeUncoded* and *connIntervalPortionAvailable*.
- *connEffectiveMaxTxTimeCoded* - the greater of 2704 and *connEffectiveMaxTxTimeAvailable*.
- *connEffectiveMaxTxTime* - equal to *connEffectiveMaxTxTimeUncoded* while the connection is on an LE Uncoded PHY and equal to *connEffectiveMaxTxTimeCoded* while the connection is on the LE Coded PHY.
- *connEffectiveMaxRxTimeUncoded* - the lesser of *connMaxRxTime* and *connRemoteMaxTxTime*.
- *connEffectiveMaxRxTimeCoded* - the greater of 2704 and *connEffectiveMaxRxTimeUncoded*.
- *connEffectiveMaxRxTime* - equal to *connEffectiveMaxRxTimeUncoded* while the connection is on an LE Uncoded PHY and equal to *connEffectiveMaxRxTimeCoded* while the connection is on the LE Coded PHY.

Note: Corresponding octet and time parameters do not have to be mutually consistent. For example, it is permissible for a time parameter to be 2120 μ s even though, on some PHYs, the maximum possible time is less.

The Controller shall not change the values of *supportedMaxTxOctets*, *supportedMaxTxTime*, *supportedMaxRxOctets*, and *supportedMaxRxTime*.



For a new connection:

- *connMaxTxOctets* shall be set to *connInitialMaxTxOctets* and *connMaxRxOctets* shall be chosen by the Controller. If either value is not 27 then the Controller should initiate the Data Length Update procedure ([Section 5.1.9](#)) at the earliest practical opportunity.
- *connRemoteMaxTxOctets* and *connRemoteMaxRxOctets* shall be 27.

For a new connection on an LE Uncoded PHY:

- *connMaxTxTime* shall be set to *connInitialMaxTxTimeUncoded* and *connMaxRxTime* shall be chosen by the Controller. If either value is not 328, then the Controller should initiate the Data Length Update procedure ([Section 5.1.9](#)) at the earliest practical opportunity.
- *connRemoteMaxTxTime* and *connRemoteMaxRxTime* shall be 328.

For a new connection on the LE Coded PHY:

- *connMaxTxTime* shall be set to *connInitialMaxTxTimeCoded* and *connMaxRxTime* shall be chosen by the Controller. If either value is not 2704, then the Controller should initiate the Data Length Update procedure ([Section 5.1.9](#)) at the earliest practical opportunity.
- *connRemoteMaxTxTime* and *connRemoteMaxRxTime* shall be 2704.

The Controller may change the values of *connMaxTxOctets*, *connMaxRxOctets*, *connMaxTxTime*, and *connMaxRxTime* at any time after entering the Connection State. Whenever it does so, it shall communicate these values to the peer device using the Data Length Update procedure. The values shall not exceed the values of *supportedMaxTxOctets*, *supportedMaxTxTime*, *supportedMaxRxOctets*, and *supportedMaxRxTime* respectively.

The values of *connMaxTxOctets*, *connMaxRxOctets*, *connMaxTxTime*, and *connMaxRxTime* can be used to represent limitations in the implementation; for example, *connMaxRxOctets* can be set to the size of the receiver's data buffer or *connMaxTxTime* can be set so that the transmitter frequency will not have enough time to drift outside permitted limits. Their values are only restricted by [Table 4.6](#) and there is no requirement to change them because, for example, the current value is greater than the largest possible value on a new PHY.

The Controller shall not transmit packets containing LL Data PDUs that have a maximum Payload length greater than *connEffectiveMaxTxOctets* or that take more than *connEffectiveMaxTxTime* microseconds to transmit (excluding any Constant Tone Extension) except during the period where the values of either *connEffectiveMaxTxOctets* or *connEffectiveMaxTxTime* are being modified. During that period, the Controller may still have LL Data PDUs queued for transmission that conformed to the old parameters but violate the new ones. These PDUs remain valid; only PDUs queued after the Data Length Update procedure is completed are required to conform to the changed parameters.



However, a Controller should ensure that it has no LL Data PDUs queued for transmission when it transmits an LL_LENGTH_REQ or LL_LENGTH_RSP PDU.

Note: These requirements do not apply to LL Control PDUs (see [Section 4.5.11](#)).

If the Controller decreases the value of *connMaxRxOctets* or *connMaxRxTime*, it shall not apply the new values until a Data Length Update procedure ([Section 5.1.9](#)) that sends the new value has completed.

The Controller shall notify its Host if any of the parameters *connEffectiveMaxTxOctets*, *connEffectiveMaxRxOctets*, *connEffectiveMaxTxTime*, or *connEffectiveMaxRxTime* have changed.

Note: These parameters can change as part of a Data Length Update procedure ([Section 5.1.9](#)), a PHY Update procedure ([Section 5.1.10](#)), a Connection Update procedure ([Section 5.1.1](#)), or a Connection Parameters Request procedure ([Section 5.1.7](#)).

4.5.11 Control PDU length management

The Link Layer shall not transmit a packet containing an LL Control PDU with a CtrData field longer than 26 octets until it has successfully completed a Feature Exchange procedure (see [Section 5.1.4](#)) on the same connection.

If the Link Layer in the Central role supports receiving LL Control PDUs with a CtrData field longer than 26 octets, it should initiate the Feature Exchange procedure on each connection.

Note: As specified in [Section 4.6](#), once the feature exchange has completed, the Link Layer must not use a procedure that the peer did not mark as supported. Therefore the Link Layer will never transmit an LL Control PDU with a CtrData field longer than 26 octets to a device that does not support it.

4.5.12 Connection termination and loss

An ACL or CIS connection can be terminated by either Link Layer using the ACL Termination procedure (see [Section 5.1.6](#)) or the CIS termination procedure (see [Section 5.1.16](#)) respectively. A connection can also be considered lost for various reasons. The Host shall be notified when the termination procedure completes, irrespective of whether the Central or Peripheral initiated it.

If an ACL connection is considered lost, the Link Layer shall not send or receive any further packets on the Data Physical Channel for the ACL connection or on the Isochronous Physical Channel for any associated CIS. The Link Layer shall exit the Connection State, shall transition to the Standby



State, and shall notify the Host of the loss of the ACL and of any associated CIS.

If a CIS is considered lost, the Link Layer shall not send or receive any further packets on the Isochronous Physical Channel and shall notify the Host of the loss of the CIS. The associated ACL connection shall not be affected, except that the Link Layer shall not send any further PDUs related to that CIS on the ACL connection.

4.5.13 Connected Isochronous Stream (CIS)

A CIS is a logical transport that enables connected devices to transfer isochronous data in either direction. The data may be fixed or variable size and may be framed or unframed. The isochronous data can be transferred either in an LE-S or LE-F logical link using the CIS logical transport. Each CIS shall be associated with an ACL.

A CIS supports variable size packets and transmission of one or more packets in each CIS event, allowing a range of data rates to be supported. Data traffic is unidirectional or bidirectional between the devices. There is an acknowledgment protocol to improve the reliability of packet delivery in a CIS.

4.5.13.1 CIS parameters

Each CIS shall have an identifier, denoted as CIS_ID, that is assigned by the Host. The CIS_ID shall be sent to the Peripheral's Host via the two Link Layers as part of creation of the CIS, but is not otherwise used by the Link Layer.

Each CIS is defined by the following parameters:

- ISO_Interval is the time between the CIS anchor points of adjacent CIS events.
- Sub_Interval is the time between start of two consecutive subevents of a CIS.
- SE_Length is the time that needs to be reserved for a subevent.
- Max_PDU is the maximum number of data octets that can be carried in each CIS Data PDU; the value may be different in each direction.
- Max_SDU is the maximum size of an SDU on this CIS (see [\[Vol 6\] Part G, Section 1](#)); the value may be different in each direction.
- MPT_C and MPT_P shall equal the time taken by the Central and Peripheral respectively to transmit a packet containing a CIS PDU with a payload of Max_PDU octets (for that direction) on the PHY being used for the CIS; on the LE Coded PHY, the S=8 coding shall be assumed. These values should include the MIC if it is possible that the CIS will be encrypted.
- NSE is the maximum number of subevents in each CIS event.



- BN and FT control which data is transmitted in each CIS event; the values may be different in each direction.
- Framed indicates whether the CIS carries framed or unframed data; the value shall be the same in both directions.

These parameters shall not change during the lifetime of the CIS. They are discussed further in the following subsections. The mandatory range for each parameter is the entire range of valid values except for the following, where only the listed values are mandatory:

- BN: 0 and 1
- NSE: all supported values of BN except 0
- FT: 1

Note: The encryption status of a CIS follows the encryption status of the associated ACL.

Both the Central and Peripheral shall have a 39-bit counter *cisEventCounter*. It shall be set to 0 for the first CIS event of a CIS and incremented by 1 for each CIS event whether or not the Central transmits any Connected Isochronous PDUs during the event.

Each CIS shall have a 39-bit *cisPayloadCounter* associated with it, described further in [Section 4.5.13.3](#). The Link Layer of the Central and Peripheral shall terminate the CIS no later than when *cisPayloadCounter* equals $2^{39} - 1$.

4.5.13.2 CIS events and subevents

A CIS event is an opportunity for the Central and Peripheral to exchange CIS PDUs; CIS events occur at regular intervals. Each CIS event in turn contains NSE subevents. Each subevent can be used to transmit a CIS PDU from the Central to the Peripheral followed by a response from the Peripheral to the Central. As described in [Section 4.5.13.4](#), not all subevents are always used in an event.

Each CIS event starts at a moment called the CIS anchor point and ends when closed as specified in [Section 4.5.13.4](#). The CIS anchor points shall be spaced regularly, ISO_Interval apart.

The first subevent of a CIS event starts at the CIS anchor point. The start of two consecutive subevents of a CIS shall be Sub_Interval apart. A subevent ends at the end of the Peripheral's packet, if any, and at the end of the Central's packet if not.

Each CIS event normally contains at least one CIS PDU sent by the Central. The Central can, however, completely fail to transmit in a CIS event due to scheduling conflicts but shall transmit at least one CIS PDU within each CIS supervision timeout.



The length of a particular CIS event is at most $NSE \times (Sub_Interval - 1) + MPT_C + T_IFS + MPT_P$.

The Link Layer shall transmit CIS PDUs only in CIS events. The Link Layer shall transmit only CIS PDUs as part of a CIS event.

Figure 4.59 shows a CIS with two subevents.

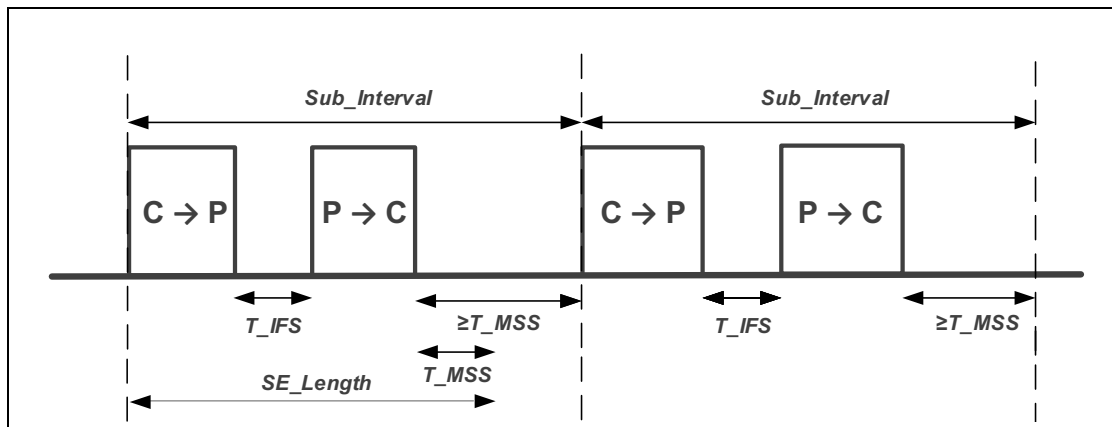


Figure 4.59: Example of two CIS subevents

Figure 4.60 shows an example of a CIS event where not all the subevents are used.

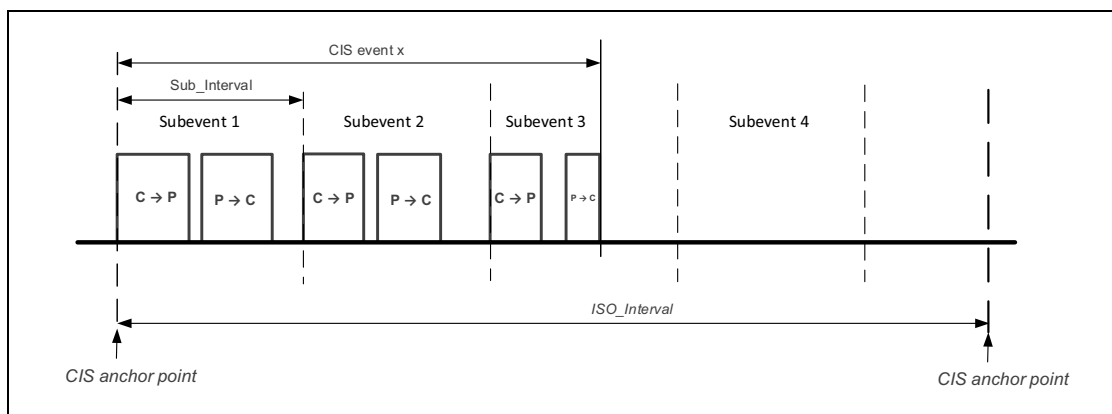


Figure 4.60: Example of a CIS event in a CIS with $NSE = 4$ and 3 actual subevents

The Central should transmit a packet at the start of each subevent until the event is closed. If the Peripheral receives a packet from the Central, regardless of whether the CRC is valid, it may transmit a response T_IFS after the end of the Central's packet. The Peripheral shall not transmit if it does not receive a packet from the Central in the same subevent. Where either device does not transmit during a subevent, the Link Layer shall behave for all other purposes (e.g. the timing of packets and the choice of payload) as if it had done so.



ISO_Interval shall be a multiple of 1.25 ms in the range of 5 ms to 4 s, shall be at least $NSE \times Sub_Interval$, and shall be less than half the *connSupervisionTimeout* for the associated ACL.

SE_Length shall be $MPT_C + T_IFS + MPT_P + T_MSS$.

Sub_Interval shall be greater than or equal to SE_Length (also see [Section 4.5.14.2](#)).

BN shall be in the range 0 to 15. For a bidirectional link the value shall be non-zero for both directions. For a unidirectional link it shall be non-zero in the direction that data is being sent and zero in the other direction.

NSE shall be in the range $\max(BN_C_To_P, BN_P_To_C)$ to 31.

4.5.13.3 Connected Isochronous Data

A CIS carries a single stream of isochronous data in each direction or in a single direction. The data is divided into payloads of at most Max_PDU octets, each of which is transmitted as the payload of a single CIS Data PDU; the payloads need not all be the same size and can be zero length.

Note: Max_PDU is the size of the data and excludes the MIC in the CIS Data PDU, if any. Therefore, it has a value in the range 0 to 251.

The Framed parameter of a CIS shall indicate whether the CIS is framed or unframed. Framed CISes shall only use framed CIS Data PDUs to carry data; unframed CISes shall only use unframed CIS Data PDUs to carry data.

For each CIS event the source of the data shall supply, via ISOAL, a burst of data consisting of up to BN payloads, each of which in turn shall hold either a single fragment or one or more SDU segments, or shall be empty. This burst is associated with the corresponding CIS event but the payloads may be transmitted in later events as well; they shall not be transmitted in earlier events. These payloads shall be numbered in order (though not necessarily consecutively); this number shall be used as the value of *cisPayloadCounter* for the PDU containing that payload. The burst of payloads associated with the CIS event where *cisEventCounter* has the value E shall consist of payloads with *cisPayloadCounter* between $E \times BN$ and $(E + 1) \times BN - 1$.

CIS Null PDUs do not have a payload and so do not have a *cisPayloadCounter*.

The payloads shall be transmitted in the order provided. The Link Layer shall continue to retransmit each CIS Data PDU until either it is acknowledged or the data within it has reached its flush point. The Link Layer shall not transmit the CIS Data PDU with *cisPayloadCounter* N until either payload number N-1 has reached its flush point or the CIS Data PDU with *cisPayloadCounter* N-1 (if any) has been acknowledged (therefore if payload number N-1 is not provided, payload number N will be delayed until that flush point; the source of the data



can provide an empty payload to avoid or reduce this delay). The Link Layer shall not transmit a payload after its flush point. If the source of the data fails to provide a payload in time for a CIS subevent, then the Link Layer shall transmit a CIS Null PDU instead.

Note: It is not specified how the payload numbers assigned by ISOAL are communicated to the Link Layer or how the receiving Link Layer communicates the payload numbers to ISOAL.

Note: If BN is zero, then no payloads are provided and therefore the Link Layer will only transmit CIS Null PDUs.

4.5.13.4 Closing CIS events

The Link Layer shall close a CIS event at the end of its last subevent.

The Central or Peripheral may close a CIS event early by using the Close Isochronous Event (CIE) bit. A device that sends a CIS PDU with the CIE bit set to 1 shall not transmit in the remaining subevents in the current CIS event.

Note: Link Layer implementations will normally end a CIS event early when all the scheduled payloads in both directions have been transmitted and acknowledged.

4.5.13.5 Flush Timeout and Flush Points

The Flush Timeout (FT) parameter is the maximum number of CIS events that may be used to transmit (and retransmit) a given payload. FT shall be between 1 and 255. Each payload number shall have a flush point: a point in time at which the corresponding payload and associated CIS Data PDU, if any, shall be discarded by the Link Layer. The flush point of a payload number occurs immediately after U subevents in the CIS event with *cisEventCounter* equal to $(E + FT - 1)$, where:

- $E = \text{floor}(\text{cisPayloadCounter} \div \text{BN})$
- $U = \text{NSE} - \text{floor}(\text{NSE} \div \text{BN}) \times (\text{BN} - 1 - \text{cisPayloadCounter} \bmod \text{BN})$

Figure 4.61 and Figure 4.62 show examples of data transmissions and payloads reaching their flush points. In these figures, "ACK" and "NAK" have the meaning given in Figure 4.58.

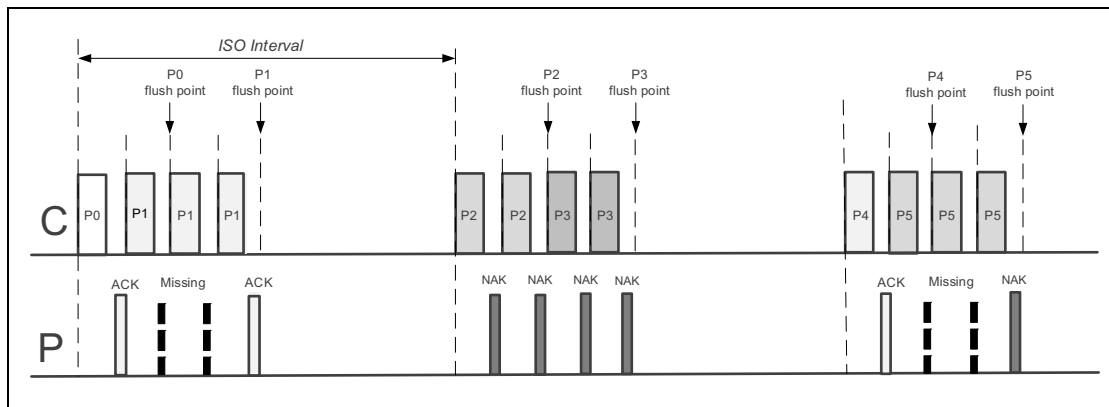


Figure 4.61: Example of flush points with $BN=2$, $FT=1$, and $NSE=4$

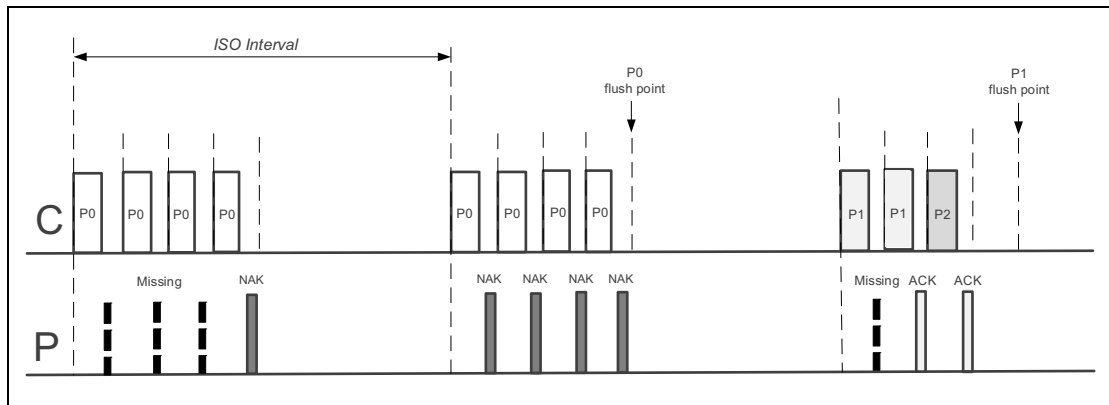


Figure 4.62: Example of flush points with $BN=1$, $FT=2$, and $NSE=4$

4.5.13.6 Channel indices

Each packet containing a CIS PDU shall be transmitted on the channel index specified by Channel Selection Algorithm #2 (see 4.5.8.3). The subevent number se_n shall be set to the values 1 to NSE , in order, for the subevents of each CIS event. The Peripheral shall transmit on the same channel index as the Central. The channel map used by the CIS shall be the same as the channel map of the associated ACL.

4.5.13.7 CIS Encryption

If an ACL is not encrypted, any associated CIS shall not be encrypted. If an ACL is encrypted, all associated CISes shall be encrypted, in which case all CIS Data PDUs (except those with an empty payload) on those CISes shall be encrypted using the same session key as that used by the associated ACL.

4.5.14 Connected Isochronous Group (CIG)

A CIG consists of either two or more CISes that have the same $ISO_Interval$ and are expected to have a time relationship at the application layer, or of a



single CIS. The maximum number of CISes in a CIG shall be 31. An implementation in the Central role is not required to support CIGs with more than 1 CIS.

The Central's Host assigns an identifier to each CIG, denoted by the parameter CIG_ID. The CIG_ID shall be sent to the Peripheral's Host via the two Link Layers as part of creation of each CIS in the CIG but is not otherwise used by the Link Layer.

All CISes in a CIG shall have the same Central but may have different Peripherals.

All CISes in a CIG shall have the same value of FT applying from the Central to the Peripheral and the same value of FT applying from the Peripheral to the Central (these two values may be different).

All CISes in a CIG shall have different CIS_IDs, but if a CIS is terminated or considered lost its configuration remains stored within the CIG so that another CIS may then be created in the same CIG with the same CIS_ID and configuration. The configuration is deleted when the CIG is removed.

The Link Layer may use different parameters for a CIS each time that it is created provided that the parameters meet the configuration provided by the Host.

On the Central, a CIG represents a data structure within the Link Layer and does not involve any connection separate from the CISes that make it up. On the Peripheral(s), it represents those CISes with the same CIG_ID.

4.5.14.1 CIG event

A CIG event consists of the corresponding CIS events of the CISes currently making up that CIG. Each CIG event starts at the anchor point of the earliest (in transmission order) CIS of the CIG and ends at the end of the last subevent of the latest CIS of the same CIG event. Two CIG events on the same CIG shall not overlap (that is, the last CIS event of a given CIG event shall end before the first CIS anchor point of the next CIG event).

The Central's Link Layer shall provide timing parameters (CIS_Sync_Delay and CIG_Sync_Delay) to the Peripherals' Link Layers which enable synchronization of isochronous data at the application layer.

Each CIG event shall have a CIG reference point and a CIG synchronization point; these shall be CIG_Sync_Delay apart. Each CIG event shall start no earlier than the CIG reference point and shall end no later than the CIG Synchronization point. For a given CIS, the CIS anchor point shall be a fixed offset (which may be zero) after the CIG reference point; therefore CIG reference points are spaced ISO_Interval apart and CIG synchronization points are also spaced ISO_Interval apart. For each CIS, CIS_Sync_Delay shall equal the time from the CIS anchor point to the CIG synchronization point.



Figure 4.63 shows the various elements of a CIG event.

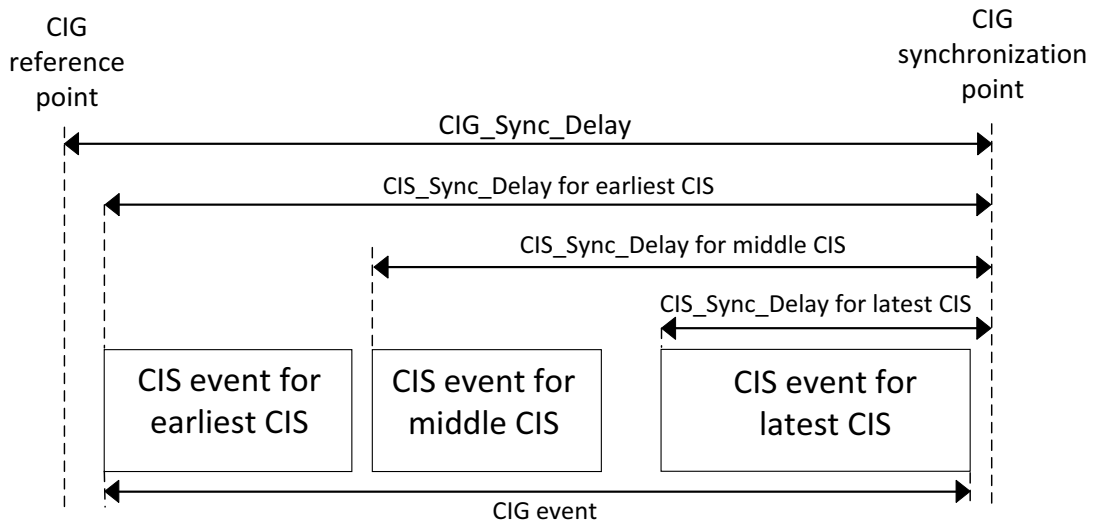


Figure 4.63: Layout of a CIG event with three CISes

Note: CIG_Sync_Delay will be no less than the maximum possible time for a CIG event; i.e. the time from the CIG reference point to the end of the Peripheral’s packet in the last subevent when both Central and Peripheral transmit packets containing Max_PDU octets. It will have the same value for all CISes in the same CIG. CIS_Sync_Delay for each CIS will equal CIG_Sync_Delay minus the offset from the CIG reference point to the CIS anchor point. The actual maximum possible time for a CIG event cannot be determined until all the CISes in the CIG have been created. Therefore the value that the Central sends is an upper bound.

Note: The maximum possible time for a CIS event equals $(NSE - 1) \times Sub_Interval + MPT_C + T_IFS + MPT_P$ for that CIS.

Note: The CIS events making up a CIG event need not have the same values of *cisEventCounter*, but the difference between the counters will be the same for the lifetime of the CIG.

4.5.14.2 Arrangement of multiple CISes

The CISes in a CIG shall be arranged either sequentially or interleaved by setting the values of the Sub_Interval and the spacing between the CIS anchor points appropriately.

If they are sequential, the CIS events of the different CISes do not overlap and so all the subevents of a CIS event occur together. For each adjacent pair of CISes, the interval between their CIS anchor points shall be at least $NSE \times Sub_Interval$, using the values for the lower numbered CIS.

If they are interleaved, all the first subevents of the CISes are adjacent, followed by the second subevents, and so on. For each CIS, its value of Sub_Interval shall be at least the sum of the values of SE_Length for all the



CISes in the CIG. For each adjacent pair of CISes, the interval between their CIS anchor points shall be at least SE_Length of the lower numbered CIS.

Figure 4.64 shows each arrangement for a CIG with two CISes and NSE = 2.

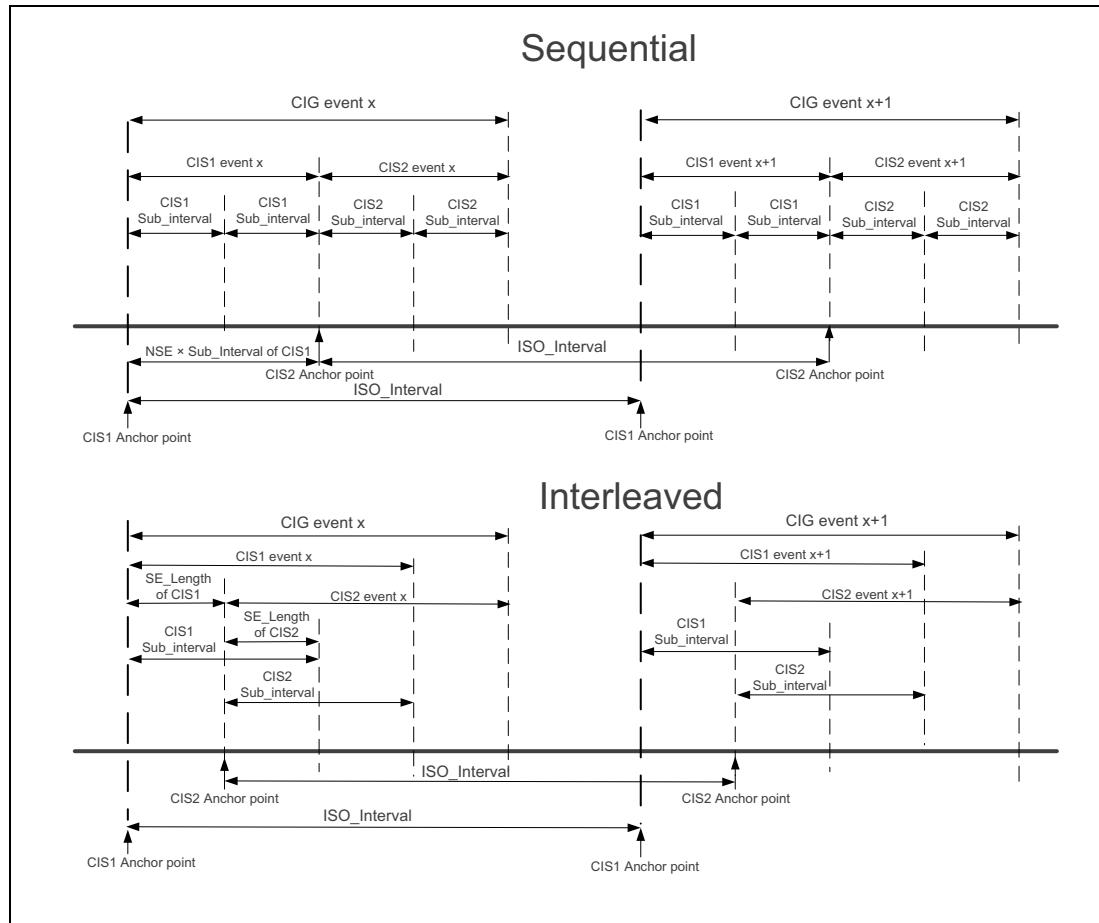


Figure 4.64: CIG event with events for two CISes in sequential and interleaved arrangement

4.5.14.3 States of a CIG

On the Central, a CIG has three states: configurable, active, and inactive. When the Host creates the CIG, it shall be in the configurable state. When the Host creates a CIS in the CIG, if the CIG is not already in the active state, then the Controller shall change the state of the CIG to active. When all CISes in a CIG are terminated or considered lost, the Controller shall change the state of the CIG to inactive. If the Host sends an explicit request to remove the CIG and the CIG is not in the active state, then the Controller shall remove the CIG.

The Host configures the CIG by notifying the Link Layer of the individual configurations of CIS(es) to be stored within the CIG. The Link Layer shall only change the configuration when requested by the Host and while the CIG is in the configurable state.



If the Link Layer is unable to schedule a CIG of the requested configuration, it shall notify the Host and not create any of the CISes in the CIG.

Note: The Controller can use the configuration information to determine whether it is able to schedule all the CISes in the CIG without conflict with each other or other activities. If it is unable to do so, it can notify the Host when requested to create the first CIS. Once it has successfully created a schedule, subsequent CISes can then be created without any risk of conflict. Figure 4.65 illustrates the states of a CIG and the CIS configurations stored within it.

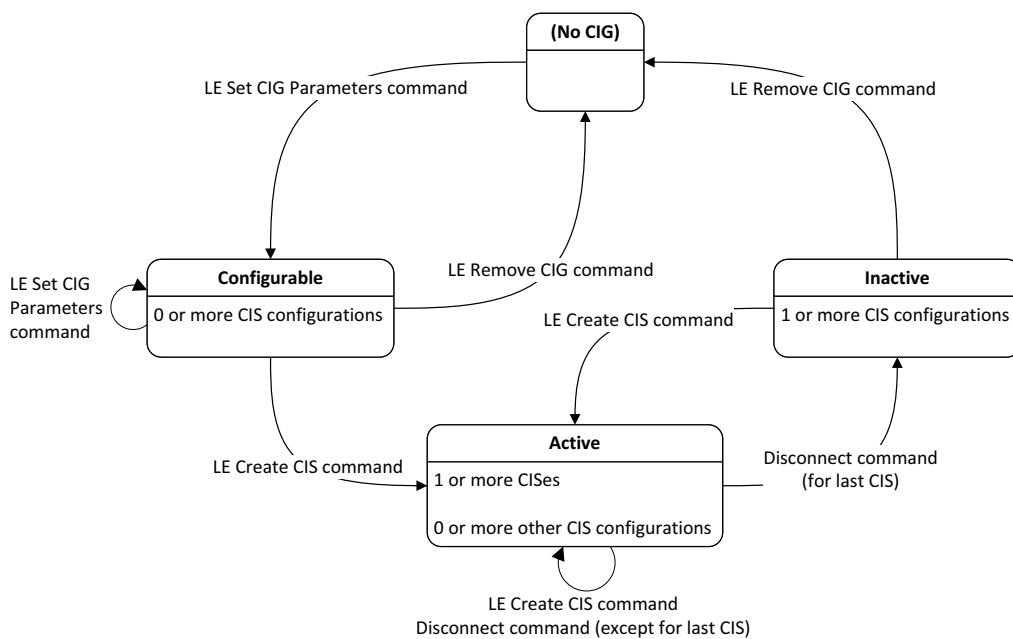


Figure 4.65: States of a CIG and its CIS configurations

4.5.15 Power level management

A Link Layer that supports power control shall manage power levels on all active PHYs for a given peer and may manage power levels for some or all non-active PHYs that it supports. An active PHY for a peer is the current PHY for the ACL connection to that peer or a PHY for an associated CIS. This implies that, when a CIS is created on a new PHY or the ACL connection changes to a new PHY, the Link Layer must start managing that PHY if it doesn't already do so.

When a device is managing the power level for a PHY, it shall store the power level for that PHY and shall transmit all packets to the peer on that PHY using that power level. The device shall change the power level when requested by the peer and may change it autonomously.

If a device starts to manage the power level for a PHY (e.g. because it has become an active PHY) then the implementation shall choose an initial power level.



Where a PHY has more than one power level, then the different power levels shall be treated as separate PHYs for the purpose of this section, the Power Control Request procedure (see [Section 5.1.17](#)), and the Power Change Indication procedure (see [Section 5.1.18](#)). In the case of the LE Coded PHY, the two power levels are "packets transmitted with an S=8 payload" and "packets transmitted with an S=2 payload"; the power level shall not change during a packet. Nevertheless, both shall be active or inactive at the same time.

4.5.16 Path loss monitoring

The Host may request the Controller to perform path loss monitoring on an ACL connection. There shall be two path loss zones, called the Low and Middle zones, and optionally a third High zone. The Controller shall notify the Host whenever the path loss changes from one zone to another. The path loss is defined as the difference between the remote transmit power level and the average local RSSI measurement for the connection; how measurements are averaged is not specified. The path loss shall be deemed to have entered a new zone when it becomes greater than or equal to the upwards boundary when moving to a higher zone or becomes less than or equal to the downwards boundary when moving to a lower zone, as shown in [Figure 4.66](#), and, in each case, has spent at least the minimum time specified in the new zone if one is specified. For each pair of zones, the upwards boundary shall be greater than or equal to the downwards boundary and should not be equal so as to provide some hysteresis.

The zone boundaries in each direction and, optionally, the minimum time to spend in a new zone are specified by the Host.

The Controller may notify the Host when the path loss becomes unavailable. If so, it shall notify the Host when the path loss becomes available again as if it had just changed zones.

Two consecutive reports shall not indicate entering the same zone.

Notes:

- Path loss can be measured by making use of the Power Control Request procedure or the Power Change Indication procedure to obtain the remote transmit power level, and by making local RSSI measurements.
- Path loss is often correlated with distance from the peer device and, therefore, moving to a higher zone might indicate that the peer has moved further away.
- A Controller may use path loss measurements from associated physical links, such as CISes, when determining path loss threshold events on the ACL connection.

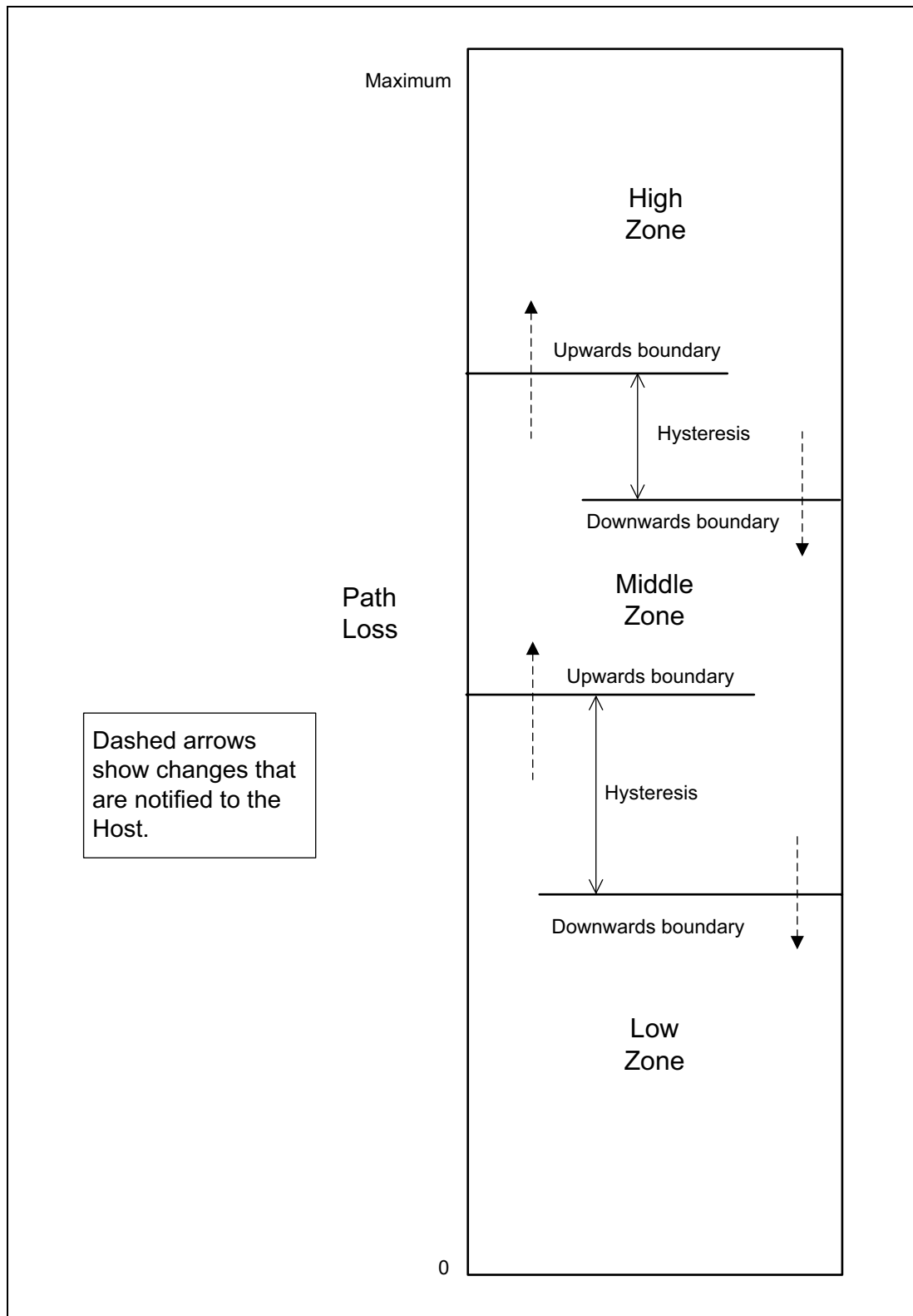


Figure 4.66: Path loss notification zones



4.5.17 ACL data Host transport

For each logical link, the Controller shall transmit data over the air in the same order that it is received from the Host. The boundaries between packets over the air for a specific L2CAP PDU may be different from the boundaries in the data provided by the Host. Each new L2CAP PDU shall start a new packet over the air. (See [Vol 3] Part A, Section 7.2.1 for related requirements in L2CAP.)

For each logical link, the Controller shall transmit the data received over the air to the Host (whether over HCI or otherwise) in the same order that it was received. The boundaries in the data sent to the Host for a specific L2CAP PDU may be different from the boundaries between packets received over the air. The Controller shall retain boundaries between L2CAP PDUs. Data from different logical links may be interleaved. (See [Vol 3] Part A, Section 7.2.2 for related requirements in L2CAP.)

4.6 FEATURE SUPPORT

The set of features supported by a Link Layer is represented by a bit mask called FeatureSet. The value of FeatureSet shall not change while the Controller has a connection to another device. A peer device may cache information about features that the device supports. The Link Layer may cache information about features that a peer supports during a connection.

Within FeatureSet, a bit set to 0 indicates that the Link Layer feature is not supported in this Controller; a bit set to 1 indicates that the Link Layer feature is supported in this Controller.

Except where explicitly stated elsewhere in this specification, if the peer Link Layer has indicated either during a feature exchange procedure or by responding with an LL_UNKNOWN_RSP PDU that it does not support a procedure, then the Link Layer shall not use that procedure. A Link Layer shall not transmit a PDU listed in the following subsections unless it supports at least one of the features that requires support for that PDU.

Unless explicitly stated otherwise, when a Link Layer supports a feature it shall support it on all PHYs that the Controller supports.

The bit positions for each Link Layer feature shall be as shown in Table 4.7, which also shows various properties of the feature bits. In the "Send to Peer" column:

- "Y" indicates that the bit shall be set correctly when sent to the peer.
- "O" indicates that the bit shall either be zero or set correctly when sent to the peer. The peer device shall ignore the value of this bit.
- "N" indicates that the bit shall be set to zero when sent to the peer.

When sent to the Host, the bit shall always be set correctly. If a bit is shown as Host Controlled, the value may be set by the Host and shall default to zero.



If a bit does not have "Y" for "Send to Peer", it shall not be used to determine whether a peer device supports any associated procedure.

Bit position	Link Layer Feature	Send to Peer	Host Controlled
0	LE Encryption	Y	N
1	Connection Parameters Request procedure	Y	N
2	Extended Reject Indication	Y	N
3	Peripheral-initiated Features Exchange	Y	N
4	LE Ping	O	N
5	LE Data Packet Length Extension	Y	N
6	LL Privacy	O	N
7	Extended Scanning Filter Policies	O	N
8	LE 2M PHY	Y	N
9	Stable Modulation Index - Transmitter	Y	N
10	Stable Modulation Index - Receiver	Y	N
11	LE Coded PHY	Y	N
12	LE Extended Advertising	O	N
13	LE Periodic Advertising	O	N
14	Channel Selection Algorithm #2	Y	N
15	LE Power Class 1 (see [Vol 6] Part A, Section 3)	Y	N
16	Minimum Number of Used Channels procedure	Y	N
17	Connection CTE Request	Y	N
18	Connection CTE Response	Y	N
19	Connectionless CTE Transmitter	O	N
20	Connectionless CTE Receiver	O	N
21	Antenna Switching During CTE Transmission (AoD)	O	N
22	Antenna Switching During CTE Reception (AoA)	O	N
23	Receiving Constant Tone Extensions	Y	N
24	Periodic Advertising Sync Transfer - Sender	Y	N

Table 4.7: FeatureSet field's bit mapping to Controller features (Sheet 1 of 2)



Bit position	Link Layer Feature	Send to Peer	Host Controlled
25	Periodic Advertising Sync Transfer - Recipient	Y	N
26	Sleep Clock Accuracy Updates	Y	N
27	Remote Public Key Validation	N	N
28	Connected Isochronous Stream – Central	Y	N
29	Connected Isochronous Stream – Peripheral	Y	N
30	Isochronous Broadcaster	Y	N
31	Synchronized Receiver	Y	N
32	Connected Isochronous Stream (Host Support)	Y	Y
33	LE Power Control Request	Y	N
34	LE Power Control Request	Y	N
35	LE Path Loss Monitoring	Y	N
36	Periodic Advertising ADI support	O	N
37	Connection Subrating	Y	N
38	Connection Subrating (Host Support)	Y	Y
39	Channel Classification	Y	N
40	Advertising Coding Selection	Y	N
41	Advertising Coding Selection (Host Support)	Y	Y
43	Periodic Advertising with Responses - Advertiser	Y	N
44	Periodic Advertising with Responses - Scanner	Y	N
56 to 62	Reserved for future use (used for specification development purposes)		
All other bits	Reserved for future use		

Table 4.7: FeatureSet field’s bit mapping to Controller features (Sheet 2 of 2)

Bits 33 and 34 shall always have the same value.



4.6.1 LE Encryption

A Controller that supports LE Encryption shall support encryption on all logical transports that it supports and the following sections of this document:

- LL_ENC_REQ ([Section 2.4.2.4](#))
- LL_ENC_RSP ([Section 2.4.2.5](#))
- LL_START_ENC_REQ ([Section 2.4.2.6](#))
- LL_START_ENC_RSP ([Section 2.4.2.7](#))
- LL_PAUSE_ENC_REQ ([Section 2.4.2.11](#))
- LL_PAUSE_ENC_RSP ([Section 2.4.2.12](#))
- Encryption Start procedure ([Section 5.1.3.1](#))
- Encryption Pause procedure ([Section 5.1.3.2](#))

4.6.2 Connection Parameters Request procedure

A Controller that supports Connection Parameters Request procedure shall support the Extended Reject Indication feature and the following sections of this document:

- LL_CONNECTION_PARAM_REQ ([Section 2.4.2.16](#))
- LL_CONNECTION_PARAM_RSP ([Section 2.4.2.17](#))
- Connection Parameters Request procedure ([Section 5.1.7](#))

4.6.3 Extended Reject Indication

A Controller that supports Extended Reject Indication shall support the following sections of this document:

- LL_REJECT_EXT_IND ([Section 2.4.2.18](#))

4.6.4 Peripheral-initiated Features Exchange

A Controller that supports Peripheral-initiated Features Exchange shall support the following sections of this document:

- LL_PERIPHERAL_FEATURE_REQ ([Section 2.4.2.15](#))
- Receiving LL_FEATURE_RSP (see [Section 2.4.2.10](#))

4.6.5 LE Ping

A Controller that supports LE Ping shall support the following sections of this document:

- LL_PING_REQ ([Section 2.4.2.19](#))
- LL_PING_RSP ([Section 2.4.2.20](#))



- LE Ping procedure ([Section 5.1.8](#))
- LE Authenticated Payload Timeout ([Section 5.4](#))

4.6.6 LE Data Packet Length Extension

A Controller that supports LE Data Packet Length Extension shall support the following sections of this document:

- LL_LENGTH_REQ and LL_LENGTH_RSP ([Section 2.4.2.21](#))
- Data Length Update procedure ([Section 5.1.9](#))

4.6.7 LL Privacy

A Controller that supports LL Privacy shall support the following sections of this document:

- Resolving List ([Section 4.7](#))
- LL Privacy ([Section 6](#))

4.6.8 Extended Scanning Filter Policies

A Controller that supports Extended Scanning Filter Policies shall support the following sections of this document:

- Extended Scanning Filter Policies ([Section 4.3.3.1](#))

4.6.9 Multiple PHYs

A Controller that supports any PHY other than LE 1M PHY shall support the Extended Reject Indication feature and the following sections of this document:

- Transmission and reception using the supported modulation schemes ([\[Vol 6\] Part A, Section 1](#))
- Longer preamble when supporting the LE 2M PHY (see [Section 2.2.1](#))
- LL_PHY_REQ ([Section 2.4.2.22](#))
- LL_PHY_RSP ([Section 2.4.2.22](#))
- LL_PHY_UPDATE_IND ([Section 2.4.2.23](#))
- PHY Update procedure ([Section 5.1.10](#))

and, when supporting the LE Coded PHY:

- Packet format for the LE Coded PHY ([Section 2.2](#))
- Coding ([Section 3.3](#))



4.6.9.1 Symmetric and asymmetric connections

A Controller shall support connections using the same PHY in each direction (“symmetric connections”) and may support connections using different PHYs in each direction (“asymmetric connections”).

If a Controller cannot support asymmetric connections then:

- Any LL_PHY_REQ, LL_PHY_RSP, or LL_CIS_REQ PDUs sent shall indicate that it wants a symmetric connection.
- Any LL_PHY_UPDATE_IND PDU sent shall not specify an asymmetric connection.

4.6.10 Stable Modulation Index - Transmitter

A Controller that supports Stable Modulation Index - Transmitter shall support the following section of this document:

- Stable Modulation Index ([\[Vol 6\] Part A, Section 3.1.1](#))

4.6.11 Stable Modulation Index - Receiver

A Controller that supports Stable Modulation Index - Receiver shall support the following section of this document:

- Stable Modulation Index ([\[Vol 6\] Part A, Section 4.7](#))

4.6.12 LE Extended Advertising

A Controller that supports LE Extended Advertising shall support reception of an Advertising Physical Channel PDU payload of 255 octets and support the following sections of this document:

- ADV_EXT_IND ([Section 2.3.1.5](#))
- AUX_ADV_IND ([Section 2.3.1.6](#))
- AUX_CHAIN_IND ([Section 2.3.1.8](#))
- AUX_SCAN_REQ (see [Section 2.3.2.1](#))
- AUX_SCAN_RSP ([Section 2.3.2.3](#))
- AUX_CONNECT_REQ (see [Section 2.3.3.1](#))
- AUX_CONNECT_RSP ([Section 2.3.3.2](#))
- Common Extended Advertising Payload Format ([Section 2.3.4](#))
- Connectable Directed event type using ADV_EXT_IND ([Section 4.4.2.4.4](#))
- Scannable Undirected event type using ADV_EXT_IND ([Section 4.4.2.5.2](#))
- Connectable Undirected event type ([Section 4.4.2.7](#))
- Scannable Directed event type ([Section 4.4.2.8](#))



- Non-Connectable and Non-Scannable Directed event type ([Section 4.4.2.9](#))
- Advertising Sets ([Section 4.4.2.10](#))
- Using AdvDataInfo (ADI) ([Section 4.4.2.11](#))
- Advertising Sets ([Section 4.4.3.3](#))
- Connect Requests on the Secondary Advertising Physical Channel ([Section 4.4.4.2](#))

A Controller that supports connections shall also support the Channel Selection Algorithm #2 feature.

4.6.13 LE Periodic Advertising

A Controller that supports LE Periodic Advertising shall support the LE Extended Advertising feature, Channel Selection Algorithm #2 feature, and the following sections of this document:

- AUX_SYNC_IND ([Section 2.3.1.7](#))
- Periodic Advertising ([Section 4.4.2.12](#))

A Controller that supports Scanning state shall also support the following sections of this document:

- Scanning for periodic advertisements ([Section 4.4.3.4](#))
- Synchronization state ([Section 4.4.5](#)) for periodic advertising trains

4.6.14 Channel Selection Algorithm #2

A Controller that supports Channel Selection Algorithm #2 shall support the following sections of this document:

- ChSel bit set to 1 (see Sections [2.3](#), [2.3.1.1](#), [2.3.1.2](#), and [2.3.3.1](#))
- Channel Selection Algorithm #2 ([Section 4.5.8.3](#)).

4.6.15 Minimum Number of Used Channels procedure

A Controller that supports the Minimum Number of Used Channels procedure shall support the following sections of this document:

- LL_MIN_USED_CHANNELS_IND ([Section 2.4.2.24](#))
- Minimum Number Of Used Channels procedure ([Section 5.1.11](#))

4.6.16 Connection CTE Request

A Controller that supports Connection CTE Request shall support the Receiving Constant Tone Extensions feature, the Extended Reject Indication



feature, and the following sections of this document on all supported PHYs that allow Constant Tone Extensions:

- LL_CTE_REQ ([Section 2.4.2.25](#))
- LL_CTE_RSP ([Section 2.4.2.26](#))
- Constant Tone Extension Request procedure ([Section 5.1.12](#)) - as initiator

4.6.17 Connection CTE Response

A Controller that supports Connection CTE Response shall support the Extended Reject Indication feature and the following sections of this document on all supported PHYs that allow Constant Tone Extensions:

- LL_CTE_REQ ([Section 2.4.2.25](#))
- LL_CTE_RSP ([Section 2.4.2.26](#))
- Transmitting Constant Tone Extensions ([Section 2.5.3](#))
- Constant Tone Extension Request procedure ([Section 5.1.12](#)) - as responder

4.6.18 Connectionless CTE Transmitter

A Controller that supports Connectionless CTE Transmitter shall support the LE Periodic Advertising feature in Advertising state and the following section of this document on all supported PHYs that allow Constant Tone Extensions:

- Transmitting Constant Tone Extensions ([Section 2.5.3](#))

4.6.19 Connectionless CTE Receiver

A Controller that supports Connectionless CTE Receiver shall support the LE Periodic Advertising feature in Synchronization state and the following sections of this document on all supported PHYs that allow Constant Tone Extensions:

- Receiving Advertising Physical Channel PDUs containing a CTEInfo field in the Extended Header (see [Section 2.3.4](#))
- IQ Sampling ([Section 2.5.4](#))

4.6.20 Antenna Switching During CTE Transmission (AoD)

A Controller that supports Antenna Switching During CTE Transmission (AoD) shall support the following sections of this document on all supported PHYs that allow Constant Tone Extensions:

- Transmitting Constant Tone Extensions ([Section 2.5.3](#))
- Antenna Switching ([\[Vol 6\] Part A, Section 5](#))



4.6.21 Antenna Switching During CTE Reception (AoA)

A Controller that supports Antenna Switching During CTE Reception (AoA) shall support the Receiving Constant Tone Extensions feature and the following section of this document on all supported PHYs that allow Constant Tone Extensions:

- Antenna Switching ([\[Vol 6\] Part A, Section 5](#))

4.6.22 Receiving Constant Tone Extensions

A Controller that supports Receiving Constant Tone Extensions shall support the following sections of this document on all supported PHYs that allow Constant Tone Extensions:

- Receiving Data Channel PDUs with the CP bit set to 1 and containing a CTEInfo field (see [Section 2.4](#))
- IQ Sampling ([Section 2.5.4](#))

4.6.23 Periodic Advertising Sync Transfer - Sender

A Controller that supports Periodic Advertising Sync Transfer - Sender shall support the LE Periodic Advertising feature and the following sections of this document:

- LL_PERIODIC_SYNC_IND ([Section 2.4.2.27](#))
- Periodic Advertising Sync Transfer procedure ([Section 5.1.13](#)) - as initiator

4.6.24 Periodic Advertising Sync Transfer - Recipient

A Controller that supports Periodic Advertising Sync Transfer - Recipient shall support the LE Periodic Advertising feature and the following sections of this document:

- LL_PERIODIC_SYNC_IND ([Section 2.4.2.27](#))
- Periodic Advertising Sync Transfer procedure ([Section 5.1.13](#)) - as recipient

4.6.25 Sleep Clock Accuracy Updates

A Controller that supports Sleep Clock Accuracy Updates shall support the following sections of this document:

- LL_CLOCK_ACCURACY_REQ and LL_CLOCK_ACCURACY_RSP ([Section 2.4.2.28](#))
- Sleep Clock Accuracy Update procedure ([Section 5.1.14](#))



4.6.26 Remote Public Key Validation

A Controller that supports Remote Public Key Validation shall validate the remote public key (see [\[Vol 3\] Part H, Section 2.3.5.6.1](#)) sent by the Host in the HCI_LE_Generate_DHKey command (see [\[Vol 4\] Part E, Section 7.8.37](#)).

4.6.27 Connected Isochronous Stream - Central and Connected Isochronous Stream - Peripheral

A Controller that supports the Connected Isochronous Stream - Central feature or the Connected Isochronous Stream - Peripheral feature shall support the Channel Selection Algorithm #2 feature, the Sleep Clock Accuracy Updates feature, the Extended Reject Indication feature, and the following sections of this document:

- LL_CIS_REQ ([Section 2.4.2.29](#))
- LL_CIS_RSP ([Section 2.4.2.30](#))
- LL_CIS_IND ([Section 2.4.2.31](#))
- LL_CIS_TERMINATE_IND ([Section 2.4.2.32](#))
- Connected Isochronous PDU ([Section 2.6.1](#))
- Connected Isochronous Stream ([Section 4.5.13](#))
- Connected Isochronous Group ([Section 4.5.14](#))
- Connected Isochronous Stream Creation procedure ([Section 5.1.15](#))
- Connected Isochronous Stream Termination procedure ([Section 5.1.16](#))
- ISO Transmit Test Mode ([Section 7.1](#))
- ISO Receive Test Mode ([Section 7.2](#))
- Isochronous Adaptation Layer (ISOAL) ([\[Vol 6\] Part G](#))

4.6.28 Isochronous Broadcaster

A Controller that supports the Isochronous Broadcaster feature shall support the LE Periodic Advertising feature and the following sections of this document:

- Broadcast Isochronous PDU ([Section 2.6.2](#))
- BIG Control PDU ([Section 2.6.3](#))
- Isochronous Broadcasting State ([Section 4.4.6](#))
- BIG control procedures ([Section 5.6](#))
- ISO Transmit Test Mode ([Section 7.1](#))
- Isochronous Adaptation Layer (ISOAL) ([\[Vol 6\] Part G](#))



4.6.29 Synchronized Receiver

A Controller that supports the Synchronized Receiver feature shall support the LE Periodic Advertising feature and the following sections of this document:

- Broadcast Isochronous PDU ([Section 2.6.2](#))
- BIG Control PDU ([Section 2.6.3](#))
- Synchronization state (see [Section 4.4.5](#))
- BIG control procedures ([Section 5.6](#))
- ISO Receive Test Mode ([Section 7.2](#))
- Isochronous Adaptation Layer (ISOAL) ([\[Vol 6\] Part G](#))

4.6.30 [This section is no longer used]

4.6.31 LE Power Control Request

A Controller that supports LE Power Control Request shall support the Extended Reject Indication feature and the following sections of this document:

- LL_POWER_CONTROL_REQ ([Section 2.4.2.33](#))
- LL_POWER_CONTROL_RSP ([Section 2.4.2.34](#))
- LL_POWER_CHANGE_IND ([Section 2.4.2.35](#))
- Power level management ([Section 4.5.15](#))
- Power Control Request procedure ([Section 5.1.17](#))
- Power Change Indication procedure ([Section 5.1.18](#))

4.6.32 LE Path Loss Monitoring

A Controller that supports LE Path Loss Monitoring shall support the following sections of this document:

- LE Path Loss Monitoring ([Section 4.5.16](#))

4.6.33 Host-set feature bits

The Controller shall only set these bits on request from the Host. The Controller shall reject a request to set a bit if the conditions in this section are not met.

4.6.33.1 *Connected Isochronous Stream (Host Support)*

This feature bit indicates that the Host supports creating CISes.



The Controller shall only set this feature bit if it supports the Connected Isochronous Stream - Central or Connected Isochronous Stream - Peripheral feature.

4.6.33.2 Connection Subrating (Host Support)

This feature bit indicates that the Host supports Connection Subrating.

The Controller shall only set this feature bit if it supports the LE Connection Subrating feature.

4.6.33.3 Advertising Coding Selection (Host Support)

This feature bit indicates that the Host supports Advertising Coding Selection.

The Controller shall only set this feature bit if it supports the Advertising Coding Selection feature.

4.6.34 Periodic Advertising ADI Support

A Controller that supports the Periodic Advertising ADI Support feature shall support the LE Periodic Advertising feature and the ability to transmit and interpret the ADI field in the AUX_SYNC_IND PDU as described in the following sections of this document:

- AUX_SYNC_IND PDU ([Section 2.3.1.7](#))
- Periodic Advertising ([Section 4.4.2.12](#))
- Periodic Advertising Trains ([Section 4.4.5.1](#))

A Controller that does not support the Periodic Advertising ADI Support feature shall not transmit or interpret the ADI field in the AUX_SYNC_IND PDU.

4.6.35 Connection Subrating

A Controller that supports the Connection Subrating feature shall support all valid values for *connSubrateFactor* (see [Section 4.5.1](#)) and the following sections of this document:

- LL_SUBRATE_REQ ([Section 2.4.2.36](#))
- LL_SUBRATE_IND ([Section 2.4.2.37](#))
- Connection Subrate Update procedure ([Section 5.1.19](#))
- Connection Subrate Request procedure ([Section 5.1.20](#))

A Controller that does not support the Connection Subrating feature shall only support a *connSubrateFactor* of 1.



4.6.36 Channel Classification

A Controller that supports the Channel Classification feature shall support the following sections of this document:

- LL_CHANNEL_REPORTING_IND ([Section 2.4.2.38](#))
- LL_CHANNEL_STATUS_IND ([Section 2.4.2.39](#))
- Channel Classification Enable procedure ([Section 5.1.21](#))
- Channel Classification Reporting procedure ([Section 5.1.22](#))

4.6.37 Advertising Coding Selection

A Controller that supports Advertising Coding Selection shall support the LE Extended Advertising and LE Coded PHY features and the following section of this document:

- Host selection of the coding scheme used in advertising (see [Section 4.4](#))

and, if the Controller supports HCI:

- advertising reports specifying the coding scheme used (see [\[Vol 4\] Part E, Section 7.7.65.13](#)).

4.6.38 Periodic Advertising with Responses - Advertiser

A Controller that supports Periodic Advertising with Responses - Advertiser shall support the Periodic Advertising Sync Transfer - Sender feature and the following sections of this document:

- AUX_SYNC_SUBEVENT_IND ([Section 2.3.1.9](#))
- AUX_SYNC_SUBEVENT_RSP ([Section 2.3.1.10](#))
- LL_PERIODIC_SYNC_WR_IND ([Section 2.4.2.40](#))
- Trains with responses ([Section 4.4.2.12.2](#))

4.6.39 Periodic Advertising with Responses - Scanner

A Controller that supports Periodic Advertising with Responses - Scanner shall support the Periodic Advertising Sync Transfer - Recipient feature and the following sections of this document:

- AUX_SYNC_SUBEVENT_IND ([Section 2.3.1.9](#))
- AUX_SYNC_SUBEVENT_RSP ([Section 2.3.1.10](#))
- LL_PERIODIC_SYNC_WR_IND ([Section 2.4.2.40](#))
- Scanning for periodic advertisements ([Section 4.4.3.4](#))
- Trains with responses ([Section 4.4.5.1.2](#))



4.7 RESOLVING LIST

All Link Layers supporting Link Layer privacy (see [Section 6](#)) shall contain a set of records for local and peer IRK value pairs. These values are known as the Local IRK and the Peer IRK. The Resolving List IRK pairs shall be associated with a public or static device address known as the Identity Address. The Identity Address may be in the Filter Accept List. All Link Layers supporting Link Layer privacy shall support a Resolving List capable of storing at least one Resolving List Record.

On reset, the Resolving List shall be empty.

The Resolving List is configured by the Host and is used by the Link Layer to resolve Resolvable Private Addresses used by advertisers, scanners or initiators. This allows the Host to configure the Link Layer to act on a request without awakening the Host.

The Filter Accept List and filter policies set by the Host are applied to the associated Identity Address once the Resolvable Private Address has been resolved.

If the Host, when populating the resolving list, sets a peer IRK to all zeros, then the peer address used within an advertising physical channel PDU shall use the peer's Identity Address, which is provided by the Host.

The Host specifies the privacy mode to be used with each peer identity on the resolving list. If it specifies that device privacy mode is to be used, then the Controller shall accept both the peer's device Identity Address and a resolvable private address generated by the peer device using its distributed IRK. Otherwise, network privacy mode is used: the Controller shall only accept resolvable private addresses generated by the peer device using its distributed IRK. If the Host has added the peer device to the resolving list with an all-zero peer IRK, the Controller shall only accept the peer's Identity Address, as defined in [Section 6.5](#).

If the Host, when populating the resolving list, sets a local IRK to all zeros, then any local address used within an advertising physical channel PDU shall use the local Identity Address, which is provided by the Host.

If the Link Layer is using the Resolving List and the peer device has been resolved, the Address returned to the Host is the peer device's Identity Address.

If the Link Layer is using the Resolving List and the peer device has been resolved but the encryption fails then the current Resolvable Private Address(es) shall be immediately discarded and new Resolvable Private Address(es) shall be generated.

Note: Encryption may fail when the address was resolved successfully using an incorrect IRK and, therefore, encryption keys on both sides did not match.

Link Layer Specification

When the Controller address resolution is enabled, both peer and local RPAs received by the Link Layer shall be resolved using the same Resolving List Record.

Note: The Controller may generate Resolvable Private Addresses even when address resolution is disabled.



5 LINK LAYER CONTROL

The Link Layer Control protocol (LLCP) is used to control and negotiate aspects of the operation of a connection between two Link Layers. This includes procedures for control of the connection, starting and pausing encryption and other link procedures.

Procedures have specific timeout rules as defined in [Section 5.2](#). The ACL Termination procedure may be initiated at any time, even if any other Link Layer control procedure is currently active. For all other Link Layer control procedures, only one Link Layer control procedure shall be initiated in the Link Layer at a time per connection per device. A new Link Layer control procedure shall not be initiated until any previous Link Layer control procedure initiated by the same device on the same connection has completed. However, except where forbidden elsewhere in this section, a Link Layer may initiate an LL control procedure while responding to a procedure initiated by its peer device.

Except where stated otherwise in this section, there are no restrictions on the order that Link Layer control procedures are carried out except that no procedure shall be started until after entering the Connection state.

The prioritization of LL Control PDUs and LL Data PDUs is implementation specific. For example, a Host cannot assume that pending data will be sent when a termination of the link is requested without waiting for those data PDUs to be completed and indicated to the Host.

If the remote device does not support a procedure, the Link Layer will normally receive an LL_UNKNOWN_RSP with the UnknownType field set to the opcode of the initiating PDU. In this case, the procedure is terminated when the LL_UNKNOWN_RSP PDU is received.

5.1 LINK LAYER ACL CONTROL PROCEDURES

Except for any wording describing the behavior of a Link Layer that does not support a feature, the requirements in each subsection below only apply if the Link Layer supports the relevant feature (see [Section 4.6](#)).

5.1.1 Connection Update procedure

The Central or Peripheral may update the Link Layer parameters for a connection (*connInterval*, *connPeripheralLatency*, and *connSupervisionTimeout*) by applying the following rules.

If both the Central and Peripheral support the Connection Parameters Request procedure (see [Section 5.1.7](#)) then either device shall use that procedure. However, if the Peripheral rejects the proposed connection parameters, the Central may update them using the Connection Update procedure.



If the Central, the Peripheral, or both do not support the Connection Parameters Request procedure, then the Central shall send an LL_CONNECTION_UPDATE_IND PDU (the Peripheral shall not send this PDU) while the Peripheral shall use the L2CAP LE Signaling channel (see [Vol 3] Part A, Section 4.20 and Section 4.21).

If a device supports the Connection Parameters Request procedure but does not know whether its peer does (because neither device has previously attempted that procedure or performed a Feature Exchange procedure), then it shall initiate the Connection Parameters Request procedure and, if the peer responds with an LL_UNKNOWN_RSP PDU, by then using the method described in the previous paragraph.

The Link Layer of the Central shall determine the *connInterval* from the interval range given by the Host (*connInterval_{min}* and *connInterval_{max}*). However, if the current PHY is the LE Coded PHY and the Controller supports the LE Data Packet Length Extension feature, then the new connection interval shall be at least *connIntervalCodedMin* μ s.

The Link Layer shall indicate to the Host the selected interval value.

Section 5.5 shall apply to the LL_CONNECTION_UPDATE_IND PDU. The Central should transmit on the connection event where *connEventCount* equals Instant and the connection event before that event, irrespective of subrating. When the Peripheral receives such a PDU with the instant in the future, it shall listen to the connection event where *connEventCount* equals Instant and the connection event before that event, even if subrating or Peripheral latency means it would not normally do so.

The connection interval used before the instant is known as *connInterval_{OLD}*. The connection interval contained in the LL_CONNECTION_UPDATE_IND PDU and used at the instant and after, is known as *connInterval_{NEW}*.

The connection Peripheral latency used before the instant is known as *connPeripheralLatency_{OLD}*. The connection Peripheral latency contained in the LL_CONNECTION_UPDATE_IND PDU and used at the instant and after, is known as *connPeripheralLatency_{NEW}*.

The connection supervision timeout used before the instant is known as *connSupervisionTimeout_{OLD}*. The connection supervision timeout contained in the LL_CONNECTION_UPDATE_IND PDU and used at the instant and after, is known as *connSupervisionTimeout_{NEW}*. The connection supervision timer shall be reset at the instant.

If the connection interval is changed, the subrate factor shall be set to 1 and the continuation number shall be set to 0 at the instant.

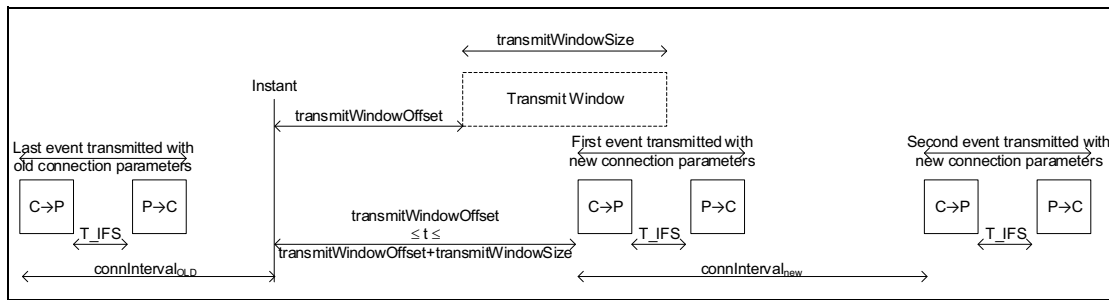


Figure 5.1: Connection event timing in the case of connection parameter update

For example, the interval between the preceding connection event before the instant and the instant will be $connInterval_{OLD}$. The interval between the connection event after the instant and the following connection event will be $connInterval_{NEW}$.

The Central may adjust the anchor point when deciding the timing of the first packet transmitted with new connection parameters. A transmit window is used, as defined in Section 4.5.3. The transmit window starts at $connInterval_{OLD} + transmitWindowOffset$ after the anchor point of the connection event before the instant. The $transmitWindowOffset$ shall be a multiple of 1.25 ms in the range 0 ms to $connInterval_{NEW}$. The $transmitWindowSize$ shall be a multiple of 1.25 ms in the range 1.25 ms to the lesser of 10 ms and $(connInterval_{NEW} - 1.25 \text{ ms})$.

Note: If the Peripheral first receives the LL_CONNECTION_UPDATE_IND PDU on the instant, it can immediately use that packet as the new anchor point and does not apply the $transmitWindowOffset$ and $transmitWindowSize$.

The Central shall start to send the first packet within the transmit window as defined in Section 4.5.3. The Central's first packet may extend beyond the transmit window.

The first packet sent after the instant by the Central determines the new anchor point for the connection events, and therefore the timings of all future connection events in this connection.

The instant occurs after $connInterval_{OLD}$ and before $transmitWindowOffset$. All the normal connection event transmission rules specified in Section 4.5.1 shall apply.

At the start of the transmit window, the Link Layer shall reset $T_{LLconnSupervision}$.

If the Link Layer of the Central transmits an LL_CONNECTION_UPDATE_IND PDU autonomously, for example without being requested to by the Host, the Latency and Timeout parameters shall not be changed and shall remain the same as in the last LL_CONNECTION_UPDATE_IND, CONNECT_IND, or AUX_CONNECT_REQ PDU. Any of the other parameters ($transmitWindow-$



Size, *transmitWindowOffset*, *connInterval*, *Instant*) may be changed within the restrictions given above.

Note: Autonomous updates can be used to change the anchor points to allow the Central to change the scheduling of the connection due to other activities.

The Link Layer shall notify its Host if any of the three connection parameters have changed. If no connection parameters are changed, the Host would not be notified; this is called an anchor point move.

The procedure is complete when the instant has passed, and the new connection event parameters have been applied.

5.1.2 Channel Map Update procedure

The Central may update the Link Layer parameter for channel map (*channelMap*) by sending an LL_CHANNEL_MAP_IND PDU. The Peripheral shall not send this PDU. The Central's Controller may update the channel map without being requested to by the Host.

Section 5.5 shall apply to the LL_CHANNEL_MAP_IND PDU.

The channel map used before the instant is known as *channelMap_{OLD}*. The channel map contained in the LL_CHANNEL_MAP_IND PDU and used at the instant and after, is known as *channelMap_{NEW}*.

When *connEventCount* is equal to the *Instant* field, the *channelMap_{NEW}* shall be the current *channelMap*. The *lastUnmappedChannel* shall not be reset. If the *unmappedChannel* is an unused channel, then the *channelMap_{NEW}* will be used when remapping. The only parameter that changes is the *channelMap*.

For example:

At connection set-up:

- initial *channelMap_{OLD}*: 0x1FFFFFFFFF (i.e., all channels enabled)
- initial *hopIncrement*: 10 (decimal)

An LL_CHANNEL_MAP_IND PDU with the following parameters is then issued:

- *Instant*: 100 (decimal). Assume that no connection event count wrap-around occurred since the start of the connection.
- *channelMap_{NEW}*: 0x1FFFFFF7FF (i.e. all channels enabled except channel 11)



Channels used:

- *connEventCount* 99 --> data channel index 1 (*channelMap_{OLD}*)
- *connEventCount* 100 --> data channel index 12 (remapped from 11) (*channelMap_{NEW}*)
- *connEventCount* 101 --> data channel index 21 (*channelMap_{NEW}*)

The procedure is complete when the instant has passed and the new channel map has been applied to the ACL. If the ACL has any associated CISes, the new channel map shall be used on each CIS starting with the next CIS event after the instant.

5.1.3 Encryption procedure

The Link Layer of the Central or Peripheral, upon request from the Host, may enable the encryption of packets using the encryption start procedure.

Once the connection is encrypted, the Link Layer may change the encryption key by using the encryption pause procedure, which encapsulates the encryption start procedure.

The Link Layer shall not initiate the encryption start procedure or pause procedure while there is an established CIS associated with the ACL.

5.1.3.1 Encryption Start procedure

To enable encryption, two parameters have to be exchanged, IV and SKD. Both are composed of two parts, a Central part and a Peripheral part, and exchanged in LL_ENC_REQ and LL_ENC_RSP PDUs. After these are exchanged, and the Peripheral's Host has notified its Link Layer of the Long Term Key to be used on this connection, encryption is started using a three way handshake, using LL_START_ENC_REQ and LL_START_ENC_RSP PDUs.

To start encryption, the Link Layer of the Central shall generate the Central's part of the initialization vector (IV_C) and the Central's part of the session key diversifier (SKD_C). IV_C shall be a 32 bit random number generated by the Link Layer of the Central. SKD_C shall be a 64 bit random number generated by the Link Layer of the Central. Both IV_C and SKD_C shall be generated using the requirements for random number generation defined in [\[Vol 2\] Part H, Section 2](#).

Before transmitting the LL_ENC_REQ PDU, the Link Layer of the Central shall finalize the sending of the current Data Physical Channel PDU and may finalize the sending of additional Data Physical Channel PDUs queued in the Controller. After these Data Physical Channel PDUs are acknowledged, until this procedure is complete or specifies otherwise, the Link Layer of the Central shall only send Empty PDUs, LL_TERMINATE_IND PDUs, and PDUs required by this procedure.



The Link Layer of the Central shall then send an LL_ENC_REQ PDU; the Rand and EDIV fields are provided by the Host. After the Central receives the LL_ENC_RSP PDU in response, only PDUs required by this procedure are expected.

If encryption is not supported by the Link Layer of the Peripheral, the Link Layer of the Peripheral shall send an LL_REJECT_IND or LL_REJECT_EXT_IND PDU with the ErrorCode set to *Unsupported Remote Feature* (0x1A). The Link Layer of the Central receiving the LL_REJECT_IND or LL_REJECT_EXT_IND PDU shall notify the Host. The Link Layer of the Central may now send LL Data PDUs and LL Control PDUs; these packets will not be encrypted. This procedure is complete in the Central when the Central receives the LL_REJECT_IND or LL_REJECT_EXT_IND PDU from the Peripheral. The Central should acknowledge this PDU using an Empty PDU. The procedure is complete in the Peripheral when it sends the LL_REJECT_IND or LL_REJECT_EXT_IND PDU to the Central.

Otherwise, when the Link Layer of the Peripheral receives an LL_ENC_REQ PDU it shall generate the Peripheral's part of the initialization vector (IV_P) and the Peripheral's part of the session key diversifier (SKD_P). IV_P shall be a 32 bit random number generated by the Link Layer of the Peripheral. SKD_P shall be a 64 bit random number generated by the Link Layer of the Peripheral. Both IV_P and SKD_P shall be generated using the requirements for random number generation defined in [\[Vol 2\] Part H, Section 2](#).

The Link Layer of the Peripheral shall finalize the sending of the current Data Physical Channel PDU and may finalize the sending of additional Data Physical Channel PDUs queued in the Controller. After these Data Physical Channel PDUs are acknowledged, until this procedure is complete or specifies otherwise, the Link Layer of the Peripheral shall only send Empty PDUs, LL_TERMINATE_IND PDUs, and PDUs required by this procedure.

If any of the Data Physical Channel PDUs sent by the Peripheral is an LL Control PDU, the Link Layers shall resume any outstanding procedure(s) after the Encryption Start procedure has completed.

The Link Layer of the Peripheral shall then send an LL_ENC_RSP PDU. The Link Layer of the Peripheral shall then notify the Host with the Rand and EDIV fields. After having sent the LL_ENC_RSP PDU, the Link Layer of the Peripheral can receive an LL_UNKNOWN_RSP PDU corresponding to an LL Control PDU sent by the Peripheral. The Peripheral should not disconnect the link in this case.

Each Link Layer shall combine the initialization vector parts and session key diversifier parts in the following manner:

$$\text{SKD} = \text{SKD_P} \parallel \text{SKD_C}$$

$$\text{IV} = \text{IV_P} \parallel \text{IV_C}$$



The SKD_C is concatenated with the SKD_P. The least significant octet of SKD_C becomes the least significant octet of SKD. The most significant octet of SKD_P becomes the most significant octet of SKD.

The IV_C is concatenated with the IV_P. The least significant octet of IV_C becomes the least significant octet of IV. The most significant octet of IV_P becomes the most significant octet of IV.

The Long Term Key is always provided by the Host to the Link Layer in the Central and may be provided by the Host to the Link Layer in the Peripheral. One of the following three actions shall occur:

- If this procedure is being performed after a Pause Encryption procedure, and the Peripheral's Host does not provide a Long Term Key, the Peripheral shall perform the ACL Termination procedure with the error code *PIN or Key Missing* (0x06).
- If the Peripheral's Host does not provide a Long Term Key, either because the event to the Host was masked out or if the Host indicates that a key is not available, the Peripheral shall either send an LL_REJECT_IND with the ErrorCode set to *PIN or Key Missing* (0x06) or an LL_REJECT_EXT_IND PDU with the RejectOpcode set to "LL_ENC_REQ" and the ErrorCode set to *PIN or Key Missing* (0x06). Upon receiving an LL_REJECT_IND or LL_REJECT_EXT_IND PDU, the Central's Link Layer shall notify its Host. Both Link Layers may now send LL Data PDUs and LL Control PDUs; these packets will not be encrypted. This procedure is complete in the Central when the Central receives the LL_REJECT_IND or LL_REJECT_EXT_IND PDU from the Peripheral. The procedure is completed in the Peripheral when the acknowledgment has been received for the LL_REJECT_IND or LL_REJECT_EXT_IND PDU from the Central.
- If the Peripheral's Host does provide a Long Term Key, both Link Layers shall calculate the session key using the encryption engine with LTK as the key and SKD as the plain text input. The session key shall be set to the output of the encryption engine.

After the Peripheral's Link Layer has calculated the session key, it shall send an LL_START_ENC_REQ PDU. This packet shall be sent unencrypted and the Link Layer shall be set up to receive an encrypted packet in response.

When the Link Layer of the Central receives an LL_START_ENC_REQ PDU it shall send an LL_START_ENC_RSP PDU. This PDU shall be sent encrypted and the Link Layer shall be set up to receive an encrypted packet in response.

When the Link Layer of the Peripheral receives an LL_START_ENC_RSP PDU it shall transmit an LL_START_ENC_RSP PDU. This packet shall be sent encrypted.

When the Link Layer of the Central receives the LL_START_ENC_RSP PDU, the connection is encrypted. The Link Layer may now send LL Data PDUs and LL Control PDUs; these PDUs will be encrypted.



The Link Layers shall notify the Hosts that the connection is encrypted.

The procedure is complete in the Central when the Central receives the LL_START_ENC_RSP PDU from the Peripheral. The procedure is complete in the Peripheral when the Peripheral receives the LL_START_ENC_RSP PDU from the Central.

If, at any time during the encryption start procedure after the Peripheral has received the LL_ENC_REQ PDU or the Central has received the LL_ENC_RSP PDU, the Link Layer of the Central or the Peripheral receives an unexpected Data Physical Channel PDU from the peer Link Layer, it shall immediately exit the Connection state, and shall transition to the Standby state. The Host shall be notified that the link has been disconnected with the error code *Connection Terminated Due to MIC Failure* (0x3D).

5.1.3.2 Encryption Pause procedure

To enable a new encryption key to be used without disconnecting the link, encryption is disabled and then enabled again. During the pause, data PDUs shall not be sent unencrypted to protect the data.

The Link Layer of the Central shall finalize the sending of the current Data Physical Channel PDU and may finalize the sending of additional Data Physical Channel PDUs queued in the Controller. After these Data Physical Channel PDUs are acknowledged, until this procedure is complete, the Link Layer of the Central shall only send Empty PDUs, LL_TERMINATE_IND PDUs, and PDUs required by this procedure.

The Link Layer of the Central shall then send an LL_PAUSE_ENC_REQ PDU. After the Central receives the LL_PAUSE_ENC_RSP PDU in response, only PDUs required by this procedure are expected.

When the Link Layer of the Peripheral receives an LL_PAUSE_ENC_REQ PDU it shall finalize the sending of the current Data Physical Channel PDU and may finalize the sending of additional Data Physical Channel PDUs queued in the Controller. After these Data Physical Channel PDUs are acknowledged, until this procedure is complete, the Link Layer of the Peripheral shall only send Empty PDUs, LL_TERMINATE_IND PDUs, and PDUs required by this procedure.

If any of the Data Physical Channel PDUs sent by the Peripheral is an LL Control PDU, the Link Layers shall resume any outstanding procedure(s) after the Encryption Start procedure has completed.

The Link Layer of the Peripheral shall then send an LL_PAUSE_ENC_RSP PDU. This packet shall be sent encrypted and Link Layer shall be set up to receive an unencrypted packet in response.



When the Link Layer of the Central receives an LL_PAUSE_ENC_RSP PDU it shall be set up to send and receive unencrypted. It shall then send an LL_PAUSE_ENC_RSP PDU to the Peripheral unencrypted.

When the Link Layer of the Peripheral receives an LL_PAUSE_ENC_RSP PDU it shall be set up to also send unencrypted.

The two Link Layers shall then carry out the steps of the encryption start procedure to re-enable encryption using a new session key. The encryption pause procedure is complete when this encapsulated encryption start procedure is complete.

If, at any time during the encryption pause procedure after the Peripheral has received the LL_PAUSE_ENC_REQ PDU or the Central has received the LL_PAUSE_ENC_RSP PDU, the Link Layer of the Central or the Peripheral receives an unexpected Data Physical Channel PDU from the peer Link Layer, it shall immediately exit the Connection state, and shall transition to the Standby state. The Host shall be notified that the link has been disconnected with the error code *Connection Terminated Due to MIC Failure (0x3D)*.

5.1.4 Feature Exchange procedure

The Central or Peripheral may initiate the Feature Exchange procedure to exchange the Link Layer parameter for the current supported feature set (FeatureSet).

The FeatureSet information may be cached either during a connection or between connections. A Link Layer should not request this information on every connection if the information has been cached for this device. Cached information for a device from a previous connection is not authoritative and, therefore, an implementation must be able to accept the LL_UNKNOWN_RSP PDU if use of a feature is attempted that is not currently supported or used by the peer (see [Section 2.4.2](#)).

The FeatureSet_C parameter is the feature capabilities of the Link Layer of the Central with certain bits masked as specified in [Section 4.6](#).

The FeatureSet_P parameter is the feature capabilities of the Link Layer of the Peripheral with certain bits masked as specified in [Section 4.6](#).

The FeatureSet_USED parameter is one octet long and is the logical AND of the least significant octets of FeatureSet_C and FeatureSet_P.

5.1.4.1 Central-initiated Feature Exchange procedure

The Link Layer of the Central initiates this procedure by sending an LL_FEATURE_REQ PDU to the Peripheral. This may be done on request from the Host or autonomously. When the Link Layer of the Peripheral receives this, it shall respond by sending an LL_FEATURE_RSP PDU.



When the Link Layer of the Central sends an LL_FEATURE_REQ PDU, the FeatureSet field shall be set to FeatureSet_C.

When the Link Layer of the Peripheral sends an LL_FEATURE_RSP PDU, octet 0 of the FeatureSet field shall be set to FeatureSet_USED and the remaining octets shall be set to the corresponding octets of FeatureSet_P.

The procedure is complete when the Central receives the LL_FEATURE_RSP PDU from the Peripheral.

5.1.4.2 Peripheral-initiated Feature Exchange procedure

The Link Layer of the Peripheral initiates this procedure by sending an LL_PERIPHERAL_FEATURE_REQ PDU to the Central. This may be done on request from the Host or autonomously. When the Link Layer of the Central receives this, it shall respond by sending an LL_FEATURE_RSP PDU.

When the Link Layer of the Peripheral sends an LL_PERIPHERAL_FEATURE_REQ PDU, the FeatureSet field shall be set to FeatureSet_P.

When the Link Layer of the Central sends an LL_FEATURE_RSP PDU, octet 0 of the FeatureSet field shall be set to FeatureSet_USED and the remaining octets shall be set to the corresponding octets of FeatureSet_C.

If the LL_PERIPHERAL_FEATURE_REQ PDU was issued as a result of a Host-initiated read remote features procedure (see [\[Vol 4\] Part E, Section 7.8.21](#)) and the Central does not support this procedure, then the Host shall be notified that the read remote features procedure has completed with the ErrorCode set to *Unsupported Remote Feature* (0x1A).

The procedure is complete when the Peripheral receives the LL_FEATURE_RSP PDU from the Central.

5.1.5 Version Exchange procedure

The Central or Peripheral may initiate the Version Exchange procedure to exchange the Link Layer parameters for version information (*companyID*, *subVerNum*, *linkLayerVer*, as defined in [Section 2.4.2.13](#)) by sending an LL_VERSION_IND PDU. This procedure should be used when requested by the Host. This procedure may be initiated autonomously by the Link Layer.

The Link Layer shall only queue for transmission a maximum of one LL_VERSION_IND PDU during a connection.

If the Link Layer receives an LL_VERSION_IND PDU and has not already sent an LL_VERSION_IND then the Link Layer shall send an LL_VERSION_IND PDU to the peer device.



If the Link Layer receives an LL_VERSION_IND PDU and has already sent an LL_VERSION_IND PDU then the Link Layer shall not send another LL_VERSION_IND PDU to the peer device.

The procedure has completed when an LL_VERSION_IND PDU has been received from the peer device.

5.1.6 ACL Termination procedure

This procedure is used for voluntary termination of an ACL connection while in the Connection state. Voluntary termination occurs when the Host requests the Link Layer to terminate the connection. Either the Link Layer of the Central or Peripheral may initiate this procedure by sending an LL_TERMINATE_IND PDU. The ACL Termination procedure is not used in the event of the loss of the connection, for example after link supervision timeout or after a procedure timeout.

The Link Layer shall start a timer, $T_{\text{terminate}}$, when the LL_TERMINATE_IND PDU has been queued for transmission. The initiating Link Layer shall send LL_TERMINATE_IND PDUs until an acknowledgment is received or until the timer, $T_{\text{terminate}}$, expires, after which it shall exit the Connection State and transition to the Standby State. The initial value for $T_{\text{terminate}}$ shall be set to the value of the *connSupervisionTimeout*.

When the Link Layer receives an LL_TERMINATE_IND PDU it shall send the acknowledgment, exit the Connection State and shall transition to the Standby State.

As soon as the Link Layer has received or queued for transmission an LL_TERMINATE_IND PDU all associated CISes shall be considered lost (see [Section 4.5.12](#)). The Link Layer shall not send separate LL_CIS_TERMINATE_IND PDUs when the Host requests termination.

The procedure has completed when the acknowledgment has been received or the timer, $T_{\text{terminate}}$, expires.

5.1.7 Connection Parameters Request procedure

The Central or Peripheral may initiate a Connection Parameters Request procedure to request the remote device to have the Link Layer parameters for the connection (*connInterval*, *connPeripheralLatency* and *connSupervisionTimeout*) updated any time after entering the Connection State. A device shall not initiate this procedure while a Connection Subrate Update procedure is in progress.

5.1.7.1 Issuing an LL_CONNECTION_PARAM_REQ PDU

The Connection Parameters Request procedure is initiated by issuing an LL_CONNECTION_PARAM_REQ PDU. The procedure may be initiated as a



result of a Host initiated connection update procedure (see [Vol 4] Part E, Section 7.8.18) or autonomously by the Link Layer (that is, without being requested by the Host).

If the LL_CONNECTION_PARAM_REQ PDU was issued by the Link Layer of the Peripheral as a result of a Host initiated connection update procedure and the Central does not support this procedure, then the Host shall be notified that the connection update procedure has completed with the ErrorCode set to *Unsupported Remote Feature* (0x1A).

If the Link Layer initiates this procedure as a result of a Host initiated connection update procedure, then the Link Layer:

- Should set the Interval_Min, Interval_Max, Timeout, and Latency fields to the values received from the Host.

Note: The Link Layer may modify the values of these fields, for example, because the values received from the Host would prevent the Link Layer from meeting commitments in another piconet.

- May indicate the preferred periodicity by setting the PreferredPeriodicity field to a value other than zero, as described in Section 2.4.2.16.
- May set the Offset0 to Offset5 fields to a value other than 0xFFFF as described in Section 2.4.2.16. If all of the Offset0 to Offset5 fields have been set to 0xFFFF, then the Link Layer has no preference about the offset to be used. If one or more of the Offset0 to Offset5 fields have been set to a value other than 0xFFFF, then:

- The ReferenceConnEventCount field shall be set to indicate that at least one of the Offset0 to Offset5 fields is valid. If the ReferenceConnEventCount field is set, then it shall always be set to the connEventCount of a connection event that is less than 32767 connection events in the future from the first transmission of the PDU.

Note: Retransmissions of the PDU can result in the ReferenceConnEventCount to be up to 32767 events in the past when the PDU is successfully received by the remote device. See Section 5.1.7.3.2 for examples on how to set the ReferenceConnEventCount field.

- If Interval_Min is not equal to Interval_Max then the PreferredPeriodicity field shall be set to a value other than zero. If Interval_Min is equal to Interval_Max then the PreferredPeriodicity field may be set to any value and shall be ignored by the recipient.

If the Link Layer initiates this procedure autonomously, then the Latency field shall be set to the current value of *connPeripheralLatency* and the Timeout field (in milliseconds) shall be set to the current value of *connSupervisionTimeout*. Any of the other fields (Interval_Min, Interval_Max, PreferredPeriodicity, ReferenceConnEventCount and Offset0 to Offset5) may be changed within the restrictions given above.

The Link Layer shall ensure that the parameters in the LL_CONNECTION_PARAM_REQ shall not cause supervision timeout. That is, the Link Layer shall



ensure that the Timeout (in milliseconds) is greater than $2 * \text{Interval_Max} * (\text{Latency} + 1)$.

5.1.7.2 Responding to LL_CONNECTION_PARAM_REQ and LL_CONNECTION_PARAM_RSP PDUs

Upon receiving an LL_CONNECTION_PARAM_REQ PDU:

- The Peripheral shall respond with either an LL_CONNECTION_PARAM_RSP PDU or an LL_REJECT_EXT_IND PDU.
- The Central shall respond with either an LL_CONNECTION_UPDATE_IND PDU or an LL_REJECT_EXT_IND PDU.

Upon receiving an LL_CONNECTION_PARAM_RSP PDU, the Central shall respond with either an LL_CONNECTION_UPDATE_IND PDU or an LL_REJECT_EXT_IND PDU.

The Central shall not send the LL_CONNECTION_PARAM_RSP PDU. The Peripheral shall send an LL_CONNECTION_PARAM_RSP PDU only in response to an LL_CONNECTION_PARAM_REQ PDU.

If the received LL_CONNECTION_PARAM_REQ PDU contains parameters that are not acceptable to the Link Layer, then the Link Layer of the device shall respond to the LL_CONNECTION_PARAM_REQ PDU with one of the following:

- An LL_CONNECTION_PARAM_RSP PDU (if the Link Layer is the Peripheral of the connection) or an LL_CONNECTION_UPDATE_IND PDU (if the Link Layer is the Central of the connection), in each case containing alternative parameters.
- An LL_REJECT_EXT_IND PDU with the ErrorCode set to *Unsupported LL Parameter Value* (0x20).

If the received LL_CONNECTION_PARAM_REQ PDU contains any fields that are out of valid range, then the Link Layer shall reject the LL_CONNECTION_PARAM_REQ PDU by issuing an LL_REJECT_EXT_IND PDU with the ErrorCode set to *Invalid LL Parameters* (0x1E).

If an LL_REJECT_EXT_IND PDU is sent during the Connection Parameters Request procedure, then the procedure is complete on a device when it receives the LL_REJECT_EXT_IND PDU, and is complete on the device that issued the LL_REJECT_EXT_IND PDU when it receives the acknowledgment for the LL_REJECT_EXT_IND PDU.

If the received LL_CONNECTION_PARAM_REQ PDU requests only a change in the anchor points of the LE connection, then the Link Layer shall not indicate this request to its Host.

If the received LL_CONNECTION_PARAM_REQ PDU requests a change to one or more of *connInterval*, *connPeripheralLatency*, and *connSupervision-*



Timeout and if the values selected by the Link Layer are, respectively, within the range of the *connInterval*, the value of *connPeripheralLatency* and the value of *connSupervisionTimeout* provided by the local Host, then the Link Layer may choose to not indicate this request to its Host and proceed as if the Host has accepted the remote device's request. Otherwise, if the event to the Host is not masked, then the Link Layer shall first indicate this request to its Host.

If the local Host has not provided the range of *connInterval*, the value of *connPeripheralLatency* and the value of *connSupervisionTimeout* to the Link Layer of the Peripheral, then the Link Layer of the Peripheral may indicate the received request to its Host if the event to the Host is not masked.

If the request is being indicated to the Host and the event to the Host is masked, then the Link Layer shall issue an LL_REJECT_EXT_IND PDU with the ErrorCode set to *Unsupported Remote Feature* (0x1A).

Note: The device could have issued the LL_REJECT_EXT_IND PDU temporarily, and thus the initiating device may retry.

Note: If the request is not being indicated to the Host, then the event mask is ignored.

If the Host is indicated of the request, it shall either accept or reject this request. If the Host rejects this request, then the device shall issue an LL_REJECT_EXT_IND PDU with the ErrorCode set to *Unacceptable Connection Parameters* (0x3B).

If the Host accepts this request or if the request was not indicated to the Host, then:

- The Peripheral shall respond to an LL_CONNECTION_PARAM_REQ PDU with an LL_CONNECTION_PARAM_RSP PDU. The rules for filling in various fields of the LL_CONNECTION_PARAM_RSP PDU are the same as those for filling in various fields of the LL_CONNECTION_PARAM_REQ PDU, as described in [Section 5.1.7.1](#). The rules for handling a received LL_CONNECTION_PARAM_RSP PDU on the Link Layer of the Central are identical to the rules for handling a received LL_CONNECTION_PARAM_REQ PDU that are described earlier in this section.
- The Central shall respond to an LL_CONNECTION_PARAM_REQ PDU or an LL_CONNECTION_PARAM_RSP PDU with an LL_CONNECTION_UPDATE_IND PDU. The Central should try to choose a value of Interval that is a multiple of PreferredPeriodicity if the Peripheral has set the PreferredPeriodicity field of the LL_CONNECTION_PARAM_REQ or LL_CONNECTION_PARAM_RSP PDU. However, if the current PHY is the LE Coded PHY and the Controller supports the LE Data Packet Length Extension feature, then the new connection interval shall be at least *connIntervalCodedMin* μ s. The Central should try to pick the values of WinOffset and WinSize such that the timing of the new connection events



matches one of the Offset0 to Offset5 fields of the LL_CONNECTION_PARAM_REQ PDU or the LL_CONNECTION_PARAM_RSP PDU sent by the Peripheral. The Instant field of the LL_CONNECTION_UPDATE_IND PDU is set as described in [Section 5.1.1](#).

Once the Central issues the LL_CONNECTION_UPDATE_IND PDU, the connection parameters get updated as described in [Section 5.1.1](#).

If the connection interval is changed, the subrate factor shall be set to 1 and the continuation number shall be set to 0 at the instant of the procedure.

The procedure is complete when the instant has passed and the new connection event parameters have been applied.

5.1.7.3 Examples

5.1.7.3.1 Peripheral initiated anchor point move

The following example shows the Link Layer of the Peripheral requesting a change in the anchor points of the LE connection by 3.75 ms.

The Link Layer of the Peripheral issues an LL_CONNECTION_PARAM_REQ PDU with the following parameters:

- Interval_Min: *connInterval*
- Interval_Max: *connInterval*
- Latency: *connPeripheralLatency*
- Timeout: *connSupervisionTimeout*
- PreferredPeriodicity: 0
- ReferenceConnEventCount: <any value that is less than 32767 connection events in the future>
- Offset0: 0x0003
- Offset1: 0xFFFF
- Offset2: 0xFFFF
- Offset3: 0xFFFF
- Offset4: 0xFFFF
- Offset5: 0xFFFF

If the Link Layer of the Central accepts the Peripheral's request, then it could respond with an LL_CONNECTION_UPDATE_IND PDU that contains any one of the following set of parameters. In all the sets, Interval is set to *connInterval*, Latency is set to *connPeripheralLatency*, Timeout is set to *connSupervisionTimeout* and Instant is set to any value that is less than 32767 connection events in the future.



- Option 1: the first packet sent after the instant by the Central is inside the Transmit Window and 3.75 ms from the beginning of the Transmit Window.
 - $3 \leq \text{WinSize} \leq 8$
 - WinOffset: 0
- Option 2: the first packet sent after the instant by the Central is inside the Transmit Window and 2.5 ms from the beginning of the Transmit Window.
 - $2 \leq \text{WinSize} \leq 8$
 - WinOffset: 1
- Option 3: the first packet sent after the instant by the Central is inside the Transmit Window and 1.25 ms from the beginning of the Transmit Window.
 - $1 \leq \text{WinSize} \leq 8$
 - WinOffset: 2
- Option 4: the first packet sent after the instant by the Central is inside the Transmit Window and 0 ms from the beginning of the Transmit Window.
 - $1 \leq \text{WinSize} \leq 8$
 - WinOffset: 3

5.1.7.3.2 ReferenceConnEventCount

Figure 5.2 and Figure 5.3 show examples of how the ReferenceConnEventCount and the Offset0 to Offset5 fields of the LL_CONNECTION_PARAM_REQ and the LL_CONNECTION_PARAM_RSP PDU can be utilized to indicate the possible position of the anchor points of the connection with the new connection parameters relative to the anchor points of the connection with the old connection parameters. This figure only shows Offset0 (and not Offset1 to Offset5) for simplicity. The figure also shows the Instant where the updated connection parameters are applied. The actual Instant occurs *connInterval_{OLD}* after the last connection event transmitted with the old connection parameters whereas the Instant field in the LL_CONNECTION_UPDATE_IND PDU is set to the *connEventCount* of the connection event transmitted with the old connection parameters.

The ReferenceConnEventCount is set to the *connEventCount* of the connection event on the old connection parameters such that the start of the very next connection event on the new connection parameters is Offset0 (in milliseconds) away from the start of the ReferenceConnEventCount connection event.

Figure 5.2 shows the case where the Instant is before the ReferenceConnEventCount. Figure 5.3 shows the case where the Instant is after the ReferenceConnEventCount. Imaginary connection events transmitted with the old connection parameters have been shown beyond the Instant and imaginary connection events transmitted with the new connection parameters have been shown before the Instant.



In [Figure 5.2](#) and [Figure 5.3](#), the time interval, Δt , between the Instant and the start of the first connection event transmitted with the new connection parameters can be calculated using the following equation:

$$\Delta t = (\text{connInterval}_{NEW} - ((\text{Instant} - \text{ReferenceConnEventCount}) * \text{connInterval}_{OLD}) \bmod \text{connInterval}_{NEW} + \text{offset0}) \bmod \text{connInterval}_{NEW}$$

Note: The case where the ReferenceConnEventCount and Instant are on different sides of the eventCount wraparound point is not shown in the equations above.

Based on the calculated Δt , the WinOffset and WinSize fields in the LL_CONNECTION_UPDATE_IND PDU could be set accordingly. See [Section 5.1.7.3.3](#) for an example.

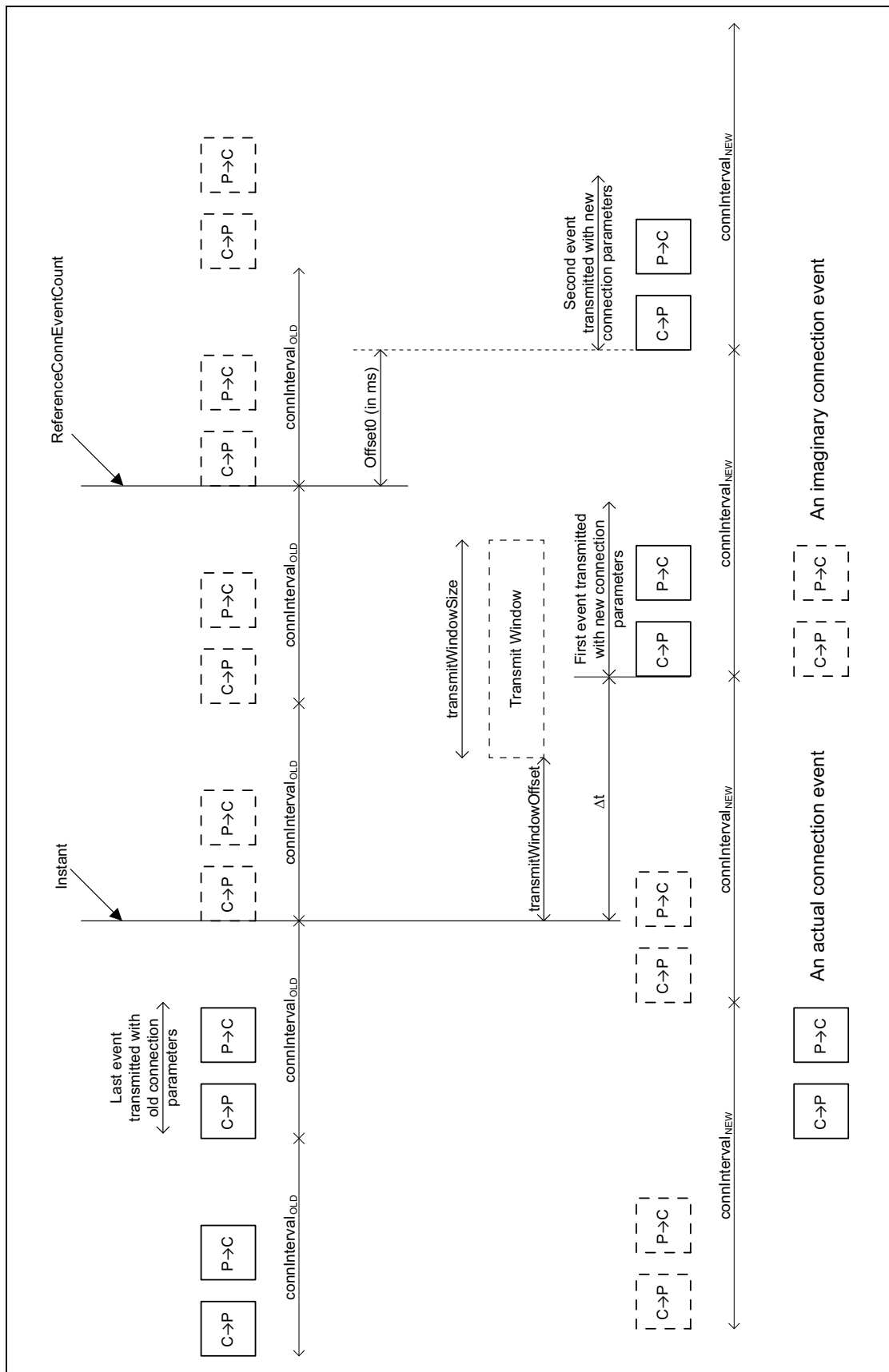


Figure 5.2: Utilizing the ReferenceConnEventCount and Offset0 fields to indicate position of the new anchor points (Instant is before the ReferenceConnEventCount)

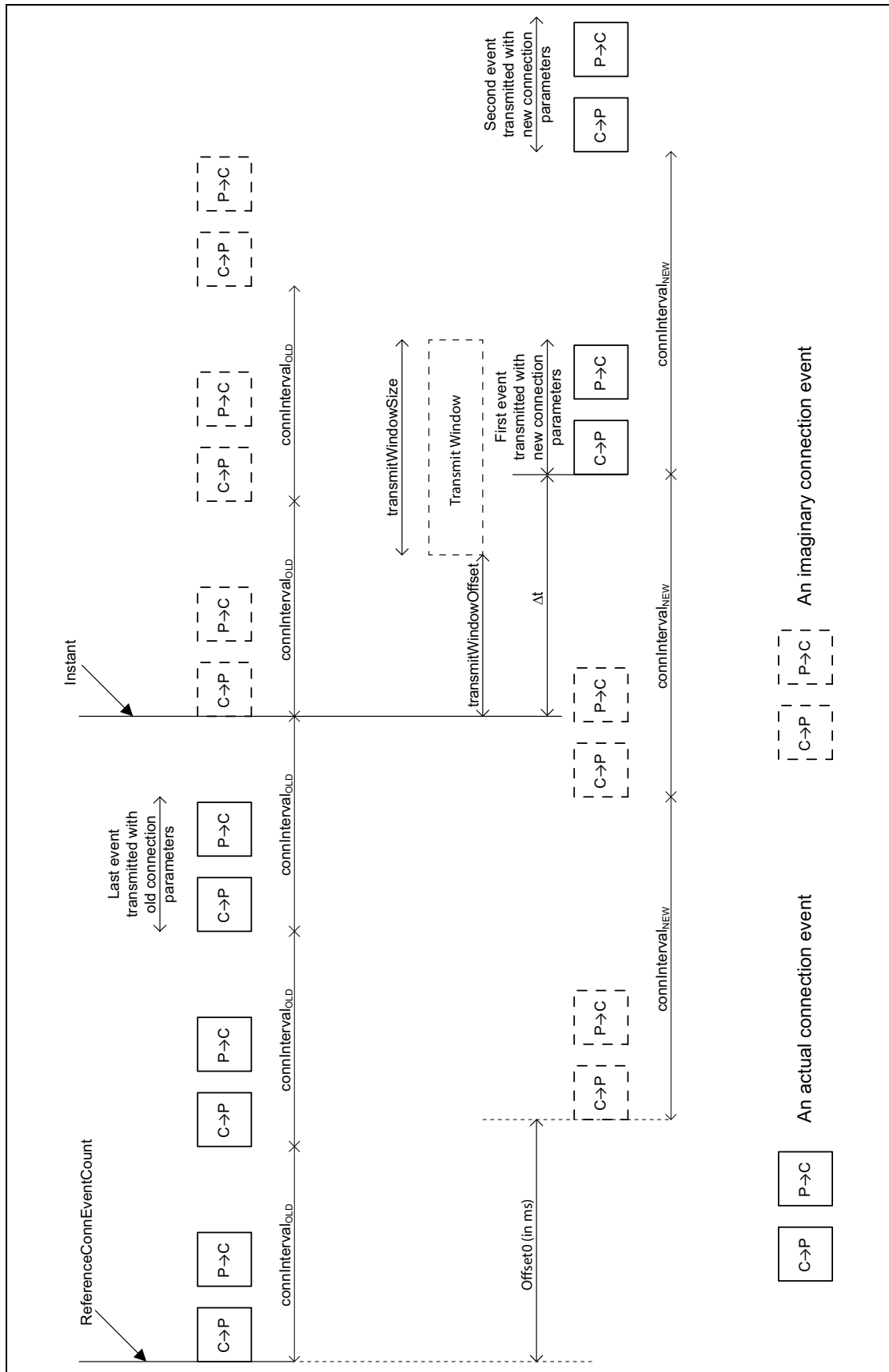


Figure 5.3: Utilizing the ReferenceConnEventCount and Offset0 fields to indicate position of the new anchor points (Instant is after the ReferenceConnEventCount)



5.1.7.3.3 Peripheral initiated interval and anchor point move

The following example shows the Link Layer of the Peripheral requesting a change in both the connection interval (by indicating a PreferredPeriodicity such that PreferredPeriodicity and *connInterval_{OLD}* are not integer multiples of one another) and a change in anchor points of the LE connection by 3.75 ms with respect to the ReferenceConnEventCount.

In this example, *connInterval_{OLD}* is 0x0C (15 ms). The Link Layer of the Peripheral issues an LL_CONNECTION_PARAM_REQ PDU with the following parameters:

- Interval_Min: 0x16
- Interval_Max: 0x20
- Latency: *connPeripheralLatency*
- Timeout: *connSupervisionTimeout*
- PreferredPeriodicity: 0x0A
- ReferenceConnEventCount: 0x1F00
- Offset0: 0x0003
- Offset1: 0xFFFF
- Offset2: 0xFFFF
- Offset3: 0xFFFF
- Offset4: 0xFFFF
- Offset5: 0xFFFF

If the Link Layer of the Central accepts the Peripheral's request, then it could respond with an LL_CONNECTION_UPDATE_IND PDU that contains any one of the following set of parameters. In all the sets, the new connection interval *connInterval_{NEW}* is set to 0x1E (37.5 ms), Latency is set to *connPeripheralLatency*, Timeout is set to *connSupervisionTimeout* and Instant is set to 0x1F06.

Δt , as described in [Section 5.1.7.3.2](#) is calculated as 21 (26.25 ms).

The WinSize and WinOffset fields in the LL_CONNECTION_UPDATE_IND PDU can contain any of the following example set of parameters:

- Option 1: the first packet sent after the instant by the Central is inside the Transmit Window and 3.75 ms from the beginning of the Transmit Window.
 - $3 \leq \text{WinSize} \leq 8$
 - WinOffset: 18



- Option 2: the first packet sent after the instant by the Central is inside the Transmit Window and 2.5 ms from the beginning of the Transmit Window.
 - $2 \leq \text{WinSize} \leq 8$
 - WinOffset: 19
- Option 3: the first packet sent after the instant by the Central is inside the Transmit Window and 1.25 ms from the beginning of the Transmit Window.
 - $1 \leq \text{WinSize} \leq 8$
 - WinOffset: 20
- Option 4: the first packet sent after the instant by the Central is inside the Transmit Window and 0 ms from the beginning of the Transmit Window.
 - $1 \leq \text{WinSize} \leq 8$
 - WinOffset: 21

5.1.7.4 Packet transmit time restrictions

This section only applies if the current PHY is the LE Coded PHY and the Controller supports the LE Data Packet Length Extension feature.

After having sent or received an LL_CONNECTION_UPDATE_IND PDU that decreases the connection interval, and until the instant has been reached, the Link Layer shall not transmit a packet that would take longer than *connEffectiveMaxTxTime* microseconds (see [Section 4.5.10](#)) to transmit, calculated using the connection interval that will apply after the instant.

After a Peripheral sends an LL_CONNECTION_PARAM_REQ or LL_CONNECTION_PARAM_RSP PDU where *Interval_Min* indicates an interval less than the current connection interval, and until it receives an LL_CONNECTION_UPDATE_IND, LL_UNKNOWN_RSP, or LL_REJECT_EXT_IND PDU in response, its Link Layer shall not transmit a packet that would take longer than *connEffectiveMaxTxTime* microseconds to transmit, calculated using a connection interval corresponding to the *Interval_Min* value in the transmitted PDU.

If the value of *connEffectiveMaxTxTime* changes during the procedure, the above requirements apply to the value at the moment the LL Data PDU is queued for transmission.

Note: The requirements of this section are in addition to, and do not override, those in [Section 4.5.10](#).

Note: If a Link Layer has any LL Data PDUs queued for transmission at the start of the procedure or queues any during the procedure, it may need to re-fragment those PDUs in order to meet these requirements.



5.1.8 LE Ping procedure

The Link Layer may use the LE Ping procedure, when supported, to verify the presence of the remote Link Layer, or to verify message integrity on the LE ACL logical transport, by forcing the remote device to send an LE ACL packet that contains a valid MIC.

This procedure may be used even if it is not supported by the peer's Link Layer.

Either the Central or the Peripheral Link Layer may initiate this procedure at any time after entering the Connection state by sending an LL_PING_REQ PDU. The responding Link Layer responds with the LL_PING_RSP PDU.

The Link Layer supporting this feature shall send an LL_PING_REQ PDU when the remote device has not sent a packet containing a payload protected by a MIC within the authenticated payload timeout set by the Host ([\[Vol 4\] Part E, Section 7.3.94](#)). The Link Layer should send an LL_PING_REQ PDU in advance enough of the expiration of the authenticated payload timeout to allow the remote device reasonable time to respond with an LL_PING_RSP PDU before the timeout expires.

The procedure is completed when an LL_PING_RSP is received.

5.1.9 Data Length Update procedure

A Controller uses the Data Length Update procedure to transmit the latest values of the current maximum Receive LL Data PDU Payload length and PDU Time (*connMaxRxOctets* and *connMaxRxTime*) and the current maximum Transmit LL Data PDU Payload length and PDU Time (*connMaxTxOctets* and *connMaxTxTime*) to the peer device.

Both the Central and Peripheral may initiate this procedure by sending an LL_LENGTH_REQ PDU. This procedure shall be initiated by the Link Layer whenever any of these parameters change, whether requested by the Host or autonomously by the Link Layer. However, if this procedure has already been initiated by the remote Controller and the local Controller has not yet responded, it shall use the response to communicate the changes instead of initiating a new procedure.

If the Link Layer receives an LL_LENGTH_REQ, or an LL_LENGTH_RSP PDU that was a response to an LL_LENGTH_REQ PDU, then it shall update its *connRemoteMaxTxOctets*, *connRemoteMaxRxOctets*, *connRemoteMaxTxTime*, and *connRemoteMaxRxTime* parameters for the connection with the values in the PDU. It shall immediately start using the updated values for all new LL Data PDUs queued for transmission (including any response as specified in the next paragraph). The lengths of any LL Data PDUs that have already been queued for transmission or transmitted at least once shall not be changed.



Note: Because Link Layer PDUs are not required to be processed in real time, it is possible for the local Controller to have queued but not yet transmitted an LL_LENGTH_REQ PDU when it receives an LL_LENGTH_REQ PDU from the peer device. In this situation each device responds as normal; the resulting collision is harmless.

Upon receiving an LL_LENGTH_REQ PDU, the Link Layer shall respond with an LL_LENGTH_RSP PDU containing its own *connMaxTxOctets*, *connMaxRxOctets*, *connMaxTxTime*, and *connMaxRxTime* values for the connection (which it may have updated based on the values received, for example so as to allow the remote device to transmit longer packets).

If the peer device does not support the LE Coded PHY feature, then the MaxRxTime and MaxTxTime fields in the LL_LENGTH_REQ and LL_LENGTH_RSP PDUs shall be set to a value less than or equal to 2128 microseconds.

The procedure is completed when the initiating Controller receives an LL_LENGTH_RSP PDU.

5.1.10 PHY Update procedure

The Central or Peripheral may use the PHY Update procedure, when supported, to change the transmit or receive PHYs, or both, of an ACL connection; it does not affect the transmit or receive PHY of any associated Connected Isochronous Streams. The procedure may be initiated either on a request by the Host or autonomously by the Link Layer. Link Layer PHY preferences may change during a connection or between connections and, therefore, they should not be cached by the peer device.

When this procedure is initiated by the Central, it sends an LL_PHY_REQ PDU. The Peripheral responds with an LL_PHY_RSP PDU. The Central then responds to this with an LL_PHY_UPDATE_IND PDU.

When this procedure is initiated by the Peripheral, it sends an LL_PHY_REQ PDU. The Central responds with an LL_PHY_UPDATE_IND PDU.

The TX_PHYS and RX_PHYS fields of the LL_PHY_REQ and LL_PHY_RSP PDUs shall be used to indicate the PHYs that the sending Link Layer prefers to use. These shall represent PHYs that the sending Link Layer supports. If the sender wants a symmetric connection (one where the two PHYs are the same) it should make both fields the same, only specifying a single PHY.

The PHY_C_TO_P and PHY_P_TO_C fields of the LL_PHY_UPDATE_IND PDU shall indicate the PHYs that shall be used after the instant.



If the Central initiated the procedure, it shall determine the PHY to use in each direction based on the contents of the LL_PHY_REQ and LL_PHY_RSP PDUs using the following rules:

- the PHY_C_TO_P field of the LL_PHY_UPDATE_IND PDU shall be determined from the Central's TX_PHYS field and the Peripheral's RX_PHYS field;
- the PHY_P_TO_C field of the LL_PHY_UPDATE_IND PDU shall be determined from the Central's RX_PHYS field and the Peripheral's TX_PHYS field.

In each of those cases the following rules apply:

- if, for at least one PHY, the corresponding bit is set to 1 in both the TX_PHYS and RX_PHYS fields, the Central shall select any one of those PHYs for that direction;
- if there is no PHY for which the corresponding bit is set to 1 in both the TX_PHYS and RX_PHYS fields, the Central shall not change the PHY for that direction.

If the Peripheral initiated the procedure, the Central shall determine the PHY to use in each direction based on the contents of the LL_PHY_REQ PDU sent by the Peripheral using the following rules:

- the PHY_C_TO_P field of the LL_PHY_UPDATE_IND PDU shall be determined from the RX_PHYS field of the Peripheral's PDU;
- the PHY_P_TO_C field of the LL_PHY_UPDATE_IND PDU shall be determined from the TX_PHYS field of the Peripheral's PDU.

In each of those cases the following rules apply:

- if, for at least one PHY, the PHY is one that the Central prefers to use and the corresponding bit is set to 1 in the relevant field of the Peripheral's PDU, the Central shall select any one of those PHYs for that direction;
- if there is no PHY which the Central prefers to use and for which the corresponding bit is set to 1 in the relevant field of the Peripheral's PDU, the Central shall not change the PHY for that direction.

The remainder of this section shall apply irrespective of which device initiated the procedure.

Irrespective of the above rules, the Central may leave both directions unchanged. If the Peripheral specified a single PHY in both the TX_PHYS and RX_PHYS fields and both fields are the same, the Central shall either select the PHY specified by the Peripheral for both directions or shall leave both directions unchanged.

If either PHY will change, [Section 5.5](#) shall apply to the LL_PHY_UPDATE_IND PDU. Both devices shall use the new PHYs starting at the instant.



The procedure has completed when:

- an LL_REJECT_EXT_IND PDU has been sent or received;
- an LL_PHY_UPDATE_IND PDU indicating that neither PHY will change has been sent or received; or
- the Central sends an LL_PHY_UPDATE_IND PDU indicating that at least one PHY will change and the instant has been reached. In this case, the procedure response timeout shall be stopped on the Central when it sends that PDU and on the Peripheral when it receives that PDU.

If the Peripheral receives an LL_PHY_UPDATE_IND where either PHY field specifies a PHY that the Peripheral does not support, has a bit set that is reserved for future use, or has more than one bit set, the Peripheral shall not change the PHY in that direction.

The Controller shall notify the Host of the PHYs now in effect when the PHY Update procedure completes if either it has resulted in a change of one or both PHYs or if the procedure was initiated by a request from the Host. Otherwise, it shall not notify the Host that the procedure took place.

The Link Layer can reject a proposed change to either PHY (by not setting the corresponding bit in its response) because, for example, a PHY with a lower bit rate could not be scheduled among other activities or because the requested PHY does not support Constant Tone Extensions. Such a rejection could, however, result in link loss if the change was requested to improve reliability.

5.1.10.1 Packet transmit restrictions

For each row of [Table 5.1](#), on the Link Layer(s) in the role(s) listed in the first column and during the period starting with the event described in the second column and ending with the event described in the third column, the Link Layer shall not transmit either of:

- any packet that would take longer than *connEffectiveMaxTxTime* microseconds (see [Section 4.5.10](#)) to transmit on any relevant PHY
- any packet with a Constant Tone Extension if any relevant PHY does not allow Constant Tone Extensions

where a “relevant PHY” is a PHY described in the fourth column.



Role(s)	Starting event	Ending event	Relevant PHY(s)
Either	the Link Layer sends or receives an LL_PHY_UPDATE_IND PDU that changes either PHY	the instant	the PHY that will apply after the instant
Peripheral	the Link Layer sends an LL_PHY_REQ PDU	the Link Layer receives an LL_PHY_UPDATE_IND, LL_UNKNOWN_RSP, or LL_REJECT_EXT_IND PDU in response	any PHY that appears in the TX_PHYS field of that LL_PHY_REQ PDU
Peripheral	the Link Layer sends an LL_PHY_RSP PDU	the Link Layer receives the LL_PHY_UPDATE_IND PDU in response	any PHY that appears in both the TX_PHYS field of the Peripheral's LL_PHY_RSP PDU and the RX_PHYS field of the Central's LL_PHY_REQ PDU

Table 5.1: PHY update packet transmit restrictions

If the value of *connEffectiveMaxTxTime* changes during the procedure (for example, if the Data Length Update procedure is performed before the Instant is reached), the above requirements apply to the value at the moment the LL Data PDU is queued for transmission.

Note: The requirements of this section are in addition to, and do not override, those in [Section 4.5.10](#).

If a Link Layer has any LL Data PDUs queued for transmission at the start of the procedure or queues any during the procedure, it might need to re-fragment those PDUs in order to obey the requirements in this section. This can be necessary if, for example, the transmit PHY changes from the LE 2M PHY to the LE 1M PHY and the value of *connEffectiveMaxTxTime* does not increase enough to compensate for the lower bit rate. If a Link Layer has any packets with a Constant Tone Extension queued for transmission at the start of the procedure or queues any during the procedure, it might need to delay them, cancel them, or (if the packets contain an LL_CTE_RSP PDU) replace them by LL_REJECT_EXT_IND PDUs in order to obey the requirements in this section.



5.1.11 Minimum Number Of Used Channels procedure

A Peripheral's Controller may use the Minimum Number Of Used Channels procedure to request that the peer device uses a minimum number of channels on a given PHY.

The Peripheral initiates this procedure by sending an LL_MIN_USED_CHANNELS_IND PDU. The Central shall not send this PDU.

If the Link Layer receives an LL_MIN_USED_CHANNELS_IND PDU, it should ensure that, whenever the Peripheral-to-Central PHY is one of those specified, the connection uses at least the number of channels given in the MinUsedChannels field of the PDU.

The procedure has completed when the Link Layer acknowledgment of the LL_MIN_USED_CHANNELS_IND PDU is sent or received.

If the channel map does not include the minimum number of channels the Peripheral requires for regulatory compliance, the Peripheral must take steps to remain regulatory compliant, which can include disconnecting the link or reducing the output power.

5.1.12 Constant Tone Extension Request procedure

The Central or Peripheral may use the Constant Tone Extension Request procedure, when supported, to request the remote Link Layer to send a packet containing an LL_CTE_RSP PDU and a Constant Tone Extension (see [Section 2.5.3](#)).

Either the Central or the Peripheral Link Layer initiates this procedure by sending an LL_CTE_REQ PDU.

If:

- Constant Tone Extension responses are enabled;
- the current transmitter PHY is one that allows Constant Tone Extensions;
- [Section 5.1.10.1](#) would not prohibit the response from being transmitted;
- the length of Constant Tone Extension requested in the LL_CTE_REQ PDU is not greater than the maximum length the responding device supports; and
- the responding device is currently configured to respond with the type of Constant Tone Extension requested in the LL_CTE_REQ PDU;

then the remote Link Layer shall respond with an LL_CTE_RSP PDU that includes a Constant Tone Extension of the requested type and whose length is greater than or equal to that requested. Otherwise the remote Link Layer shall respond with an LL_REJECT_EXT_IND PDU. If Constant Tone Extension responses are disabled or the Link Layer is not currently configured to respond with the type and length of the requested Constant Tone Extension, the



ErrorCode shall be set to *Unsupported LMP Parameter Value/Unsupported LL Parameter Value* (0x20). If Constant Tone Extensions are not allowed on the current transmitter PHY, the ErrorCode shall be set to *Invalid LMP Parameters/Invalid LL Parameters* (0x1E). If [Section 5.1.10.1](#) would prohibit the response from being transmitted, the ErrorCode shall be set to *Different Transaction Collision* (0x2A).

IQ sampling (see [\[Vol 6\] Part B, Section 2.5.4](#)) shall be performed while receiving the Constant Tone Extension of the LL_CTE_RSP PDU and the sampling results shall be reported to the Host.

The procedure is completed when either an LL_CTE_RSP PDU has been sent or received or an LL_REJECT_EXT_IND PDU is sent or received with the RejectOpcode set to LL_CTE_REQ.

5.1.13 Periodic Advertising Sync Transfer procedure

A Controller may use the Periodic Advertising Sync Transfer procedure to transfer, to a connected peer device, the synchronization information necessary to synchronize to a periodic advertising train (see [Section 4.4.3.4](#)).

Either the Central or the Peripheral Link Layer initiates this procedure by sending an LL_PERIODIC_SYNC_IND PDU or an LL_PERIODIC_SYNC_WR_IND PDU. The PDU used is determined by the type of the periodic advertising used. For PAwR, the LL_PERIODIC_SYNC_WR_IND PDU shall be used, otherwise the LL_PERIODIC_SYNC_IND PDU shall be used. If the LL_PERIODIC_SYNC_WR_IND PDU is used, then the RspAA shall be set to an Access Address value as specified in [Section 2.1.2](#).

If the Host has enabled receipt of transfers and the Link Layer receives an LL_PERIODIC_SYNC_IND PDU or an LL_PERIODIC_SYNC_WR_IND PDU that describes a periodic advertising train that the Link Layer is neither already synchronized with nor in the process of synchronizing with, the Link Layer shall synchronize with the described periodic advertising train and then notify the Host; it shall also notify the Host if synchronization fails. However, if the PHY field of the LL_PERIODIC_SYNC_IND PDU or the LL_PERIODIC_SYNC_WR_IND PDU has no bits or more than one bit set, or the bit set corresponds to a PHY that the recipient does not support or is reserved for future use, the recipient shall ignore the PDU.

The procedure has completed when an LL_PERIODIC_SYNC_IND PDU or an LL_PERIODIC_SYNC_WR_IND PDU has been sent or received.

5.1.13.1 Timing considerations

This section explains the issues in handling the relative drifts of three separate device clocks and does not create any requirements. This section does not apply when devices A and B are the same because there is then no clock drift between the two.



In general there are three devices involved in the Periodic Advertising Sync Transfer procedure: the periodic advertiser A, the initiating device B, and the receiving device C. Each of these can have a different sleep clock accuracy. Therefore device C needs to carry out various steps to determine the timing and required receive window for synchronizing to the periodic advertising.

In the following formulae and in [Figure 5.4](#):

- PEa is the value of *paEventCounter* stored in the SyncInfo within the LL_PERIODIC_SYNC_IND PDU.
- PEb is the value of *paEventCounter* for a recent AUX_SYNC_IND PDU that device B has received; this value is stored in the *lastPaEventCounter* field of the LL_PERIODIC_SYNC_IND PDU.
- PEc is the value of *paEventCounter* for the AUX_SYNC_IND PDU that device C is attempting to receive.
Note: PEc can be before, after, or the same as PEa .
- PAI is the periodic advertising interval as represented by the *Interval* field of the SyncInfo within the LL_PERIODIC_SYNC_IND PDU.
- CEs is the value of *connEventCounter* for the connection event when devices B and C synchronized their anchor points and that device B used to determine the contents of the LL_PERIODIC_SYNC_IND PDU; this value is stored in the *syncConnEventCount* field of the PDU.
- CEt is the value of *connEventCounter* for the connection event when the LL_PERIODIC_SYNC_IND PDU was (re)transmitted by device B and received by device C.
- $CEref$ is the value of *connEventCount* in the LL_PERIODIC_SYNC_IND PDU.
- CEc is a connection event before the AUX_SYNC_IND PDU that device C is attempting to receive.
- CI is the connection interval for the connection between devices B and C.
- *Offset* is the value represented by the *syncPacketWindowOffset* value within the LL_PERIODIC_SYNC_IND PDU.
- *Target* is the time from the anchor point of connection event CEc to the AUX_SYNC_IND PDU that device C is attempting to receive.
- CAa , CAb , and CAC are the clock accuracies of devices A, B, and C respectively. CAa is stored in the *SCA* field of the SyncInfo within the LL_PERIODIC_SYNC_IND PDU and CAb is stored in the *SCA* field of the LL_PERIODIC_SYNC_IND PDU.

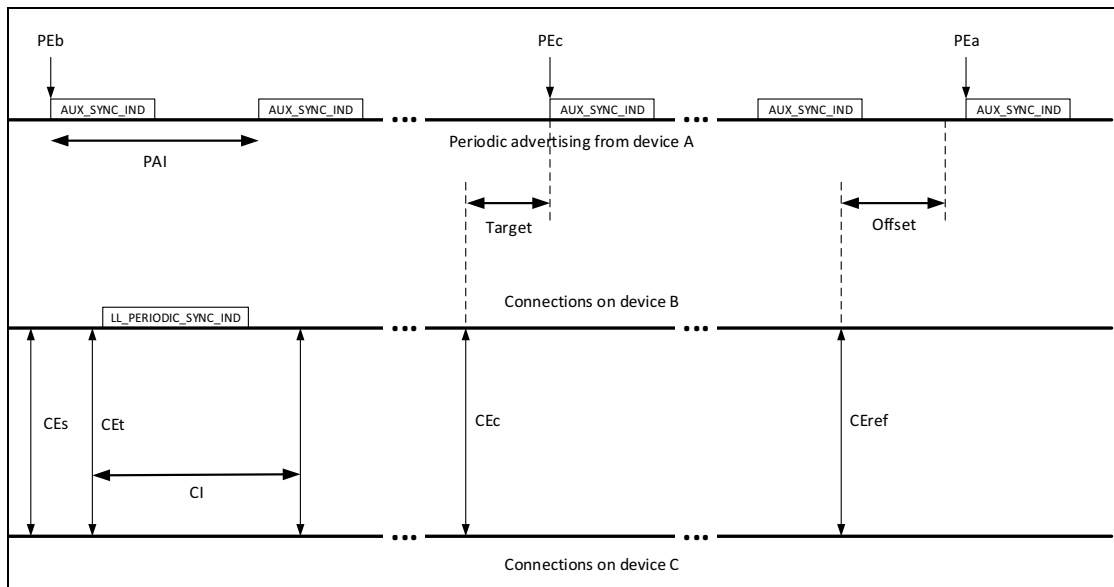


Figure 5.4: Periodic Advertising Sync Transfer procedure timings

If all three devices had a perfectly accurate clock, then:

$$T_{nominal} \leq Target < T_{nominal} + U$$

where:

$$T_{nominal} = (CE_{ref} - CE_c) \times CI + Offset - (PE_a - PE_c) \times PAI$$

$U = 30 \mu s$ or $300 \mu s$ depending on the value of the Offset Units field of the SyncInfo

Because of clock drift and jitter, this becomes:

$$T_{nominal} - D - 16 \mu s \leq Target < T_{nominal} + U + D + 16 \mu s$$

where:

$$D = (D_a + D_b) \times (1 + CA_a + CA_b + CA_c)$$

D_a represents the drift of the periodic advertising and D_b the drift of B's clock between CEs and PEb:

$$D_a = |PE_c - PE_b| \times PAI \times (CA_a + CA_c)$$

$$D_b = |CE_t - CE_s| \times CI \times (CA_b + CA_c)$$

D should be rounded to the next whole microsecond above.

These values are derived from the assumption that device B will have calculated *Offset* without making any allowance for drift in its own clock. So if



PE_b occurred at time TPE_b and CE_s at time TCE_s , both according to its own clock, device B will have chosen values for PE_a and CE_{ref} and then calculated:

$$Offset = (TPE_b + (PE_a - PE_b) \times PAI) - (TCE_s + (CE_{ref} - CE_s) \times CI)$$

When device C calculates $T_{nominal}$, it again does so without allowing for drift. So, by substituting the above expression for $Offset$ in that for $T_{nominal}$ above, we find that:

$T_{nominal}$

$$\begin{aligned} &= (CE_{ref} - CE_c) \times CI + (TPE_b + (PE_a - PE_b) \times PAI) - (TCE_s + (CE_{ref} - CE_s) \times CI) - (PE_a - PE_c) \times PAI \\ &= TPE_b + (PE_a - PE_b) \times PAI - (PE_a - PE_c) \times PAI - TCE_s - (CE_{ref} - CE_s) \times CI + (CE_{ref} - CE_c) \times CI \\ &= TPE_b + (PE_c - PE_b) \times PAI - TCE_s - (CE_c - CE_s) \times CI \\ &= (PE_c - PE_b) \times PAI + (TPE_b - TCE_s) - (CE_c - CE_s) \times CI \end{aligned}$$

Each of these three terms is based on a different clock:

- The first term depends on PAI , which is measured using device A's clock. However, since device C is calculating $T_{nominal}$, device C's clock must be allowed for as well. The drift in this term is represented by Da .
- The expression $(TPE_b - TCE_s)$ is the change in B's clock between the two events and so is measured using that clock; again, it is necessary to allow for device C's clock as well. The drift in this term is represented by Db ; the term in parentheses in the expression for Db is an upper bound for the difference.
- The last term is on device C's clock and therefore does not require any adjustment.

The second factor in the formula for D allows for second-order effects: if the relevant periodic events are 12 seconds apart, a 500 ppm drift will result in a $20 \times 0.0005^2 = 3 \mu s$ residual error in the required window.

If device C allows for clock drift when making these calculations, it may be able to reduce the window it uses accordingly. If device B allows for clock drift (e.g. by measuring the drift in the periodic advertising timing), the actual drift will be less than that calculated above but device C will not be aware of this. A more detailed analysis based on the exact techniques used in the implementation may allow device C to compute a narrower window.

5.1.14 Sleep Clock Accuracy Update procedure

The Link Layer of the Central or Peripheral may inform its peer of a change to its sleep clock accuracy (*centralSCA* or *peripheralSCA* – see [Section 4.2.2](#)), or may query the peer's sleep clock accuracy, by sending an LL_CLOCK_ACCURACY_REQ PDU. The procedure may be initiated either on a request by



the Host or autonomously by the Link Layer. A device should not initiate this procedure more than once per second.

Where the Link Layer will specify a more accurate clock than that currently in use, it shall switch to that clock before initiating or responding to this procedure.

When the Link Layer receives an LL_CLOCK_ACCURACY_REQ PDU, it shall send an LL_CLOCK_ACCURACY_RSP PDU in reply. The sleep clock accuracy specified in the reply shall not be less than the value in use when the request was received on the Link Layer sending that reply.

Note: The Link Layer can delay its response in order to make any necessary internal adjustments to the accuracy change, but not for so long as to trigger a timeout. If the responding device wants to change to a less accurate clock, then, as this section requires, it must do so by initiating this procedure separately.

The procedure is complete when the LL_CLOCK_ACCURACY_RSP is sent or received. Where the initiating Link Layer has specified a less accurate clock than that currently in use, it shall not switch to that clock until it has received the LL_CLOCK_ACCURACY_RSP PDU in reply. If it receives an LL_UNKNOWN_RSP PDU, it shall maintain at least the accuracy specified in the CONNECT_IND or AUX_CONNECT_REQ PDU that created the connection.

5.1.15 Connected Isochronous Stream Creation procedure

The Central Link Layer may use the Connected Isochronous Stream Creation procedure to create a CIS between a Central and a Peripheral. The Central Link Layer initiates this procedure by sending an LL_CIS_REQ PDU. The Peripheral Link Layer shall not initiate this procedure. The Central's Link Layer shall only create a CIS when requested by the Host, only using a CIS_ID that the Host has already stored a configuration for in this CIG, and not using a CIS_ID that corresponds to an existing CIS in the CIG (see [Section 4.5.14.3](#)). The Central shall not initiate this procedure if the Connected Isochronous Stream (Host Support) feature bit is not set in its Controller.

When the Peripheral's Link Layer receives the LL_CIS_REQ PDU, it shall either reject the proposed CIS immediately or notify the Host. In the latter case, the Host requests the Link Layer to either accept or reject the proposed CIS. If the Connected Isochronous Stream (Host Support) feature bit is not set in the local Link Layer, then the Peripheral shall reject the proposed CIS with the error code *Unsupported Remote Feature* (0x1A). If either PHY field of the LL_CIS_REQ PDU has no bits or more than one bit set, or if the bit set corresponds to a PHY that the recipient does not support or is reserved for future use, the Peripheral shall reject the proposed CIS. If the Peripheral rejects the proposed CIS, it shall send an LL_REJECT_EXT_IND PDU with the



appropriate reason code. If it accepts the CIS, it shall send an LL_CIS_RSP PDU.

When the Central's Link Layer receives an LL_CIS_RSP PDU, it shall either create the CIS by replying with an LL_CIS_IND PDU or shall cancel it by replying with an LL_REJECT_EXT_IND PDU with the appropriate reason code. The Central shall not cancel the CIS if the proposed timings are within those specified in the LL_CIS_REQ PDU unless the Host requested that the CIS be terminated.

When the Central sends and the Peripheral receives the LL_CIS_IND PDU, both devices shall stop the procedure response timeout timer, create the CIS, and start transmitting and receiving CIS PDUs. The first anchor point of the CIS, with *cisEventCounter* equal to zero, shall be at the moment specified in the LL_CIS_IND PDU. The CIS is considered established by each Link Layer when that Link Layer has received a CIS PDU from the peer that is part of the CIS.

The Central's Link Layer shall calculate CIG_Sync_Delay and CIS_Sync_Delay for each CIS and send them to the Peripheral in the LL_CIS_IND PDU.

If either Link Layer sends or receives an LL_REJECT_EXT_IND PDU, it shall terminate the procedure immediately and not create the CIS. The CIS configuration nevertheless remains stored within the CIG and the corresponding CIS can be created later. The procedure is completed on each Link Layer when the CIS is established or when an LL_REJECT_EXT_IND PDU has been sent or received. Each Link Layer shall notify its Host when the procedure is completed.

The values of the CIS_Offset_Min, CIS_Offset_Max, and connEventCount fields of the LL_CIS_REQ and LL_CIS_RSP PDUs each specify a window for the CIS anchor point. The window specified by the LL_CIS_RSP PDU shall lie entirely within a window equivalent to that specified by the LL_CIS_REQ PDU. The first CIS anchor point shall lie within a window equivalent to that specified by the LL_CIS_RSP PDU. For this purpose, two windows are equivalent if they have the same width and the difference between their start times is an integer multiple of ISO_Interval for the CIS. The edges of each window are part of the window so, for example, the two windows can be identical.

[Section 5.5](#) shall apply to the LL_CIS_IND PDU as if the *connEventCount* field was an Instant.

The Link Layer should schedule the CIS so that the CIS events do not overlap with the connection events on the associated ACL.

5.1.16 Connected Isochronous Stream Termination procedure

The Central or Peripheral may use this procedure for voluntary termination of a CIS while in the Connection state. Voluntary termination occurs when the Host



requests the Link Layer to terminate the connection. The Link Layer initiates this procedure by sending an LL_CIS_TERMINATE_IND PDU.

The Link Layer shall not transmit or receive on the CIS after it has received or queued for transmission the LL_CIS_TERMINATE_IND PDU.

The procedure has completed when the Link Layer acknowledgment has been sent or received.

Note: Terminating a CIS does not affect the associated ACL.

5.1.17 Power Control Request procedure

The Link Layer of the Central or Peripheral may use the Power Control Request procedure, when supported, to request a remote Controller to adjust its transmit power level on a specified PHY by a given amount. Power Control requests carried over an LE-ACL logical link only affect the power level used on that link and any associated physical link(s) such as isochronous physical links; they do not affect the power level used on the physical links to other connected and unconnected devices.

The Link Layer initiates this procedure by sending an LL_POWER_CONTROL_REQ PDU.

The Link Layer can query the current transmit power level and acceptable power reduction of the remote Controller by sending an LL_POWER_CONTROL_REQ PDU with Delta set to zero.

The responding Link Layer shall make the requested change to its transmit power level unless that would take it above the maximum or below the minimum supported power levels or unless it is not currently managing power levels on the requested PHY. If the requested change would take it above the maximum, it shall change the power level to the maximum supported. Otherwise, if it is unable to make exactly the requested change, it shall change the power level to the lowest available level greater than the requested level. In any case, it shall then reply with an LL_POWER_CONTROL_RSP PDU whose contents indicate the actual change made, if any, or that it is not managing the power level for the requested PHY (by setting the power level to 126).

Note: A request to make a small decrease in the power level can result in the power level not changing.

Note: A request with delta equal to zero on a PHY that is not an active PHY can indicate that the sender is about to make that PHY an active PHY.

If the Link Layer has sent an LL_POWER_CONTROL_REQ PDU and not yet received a response, or has an LL_POWER_CONTROL_REQ PDU queued for transmission, and then receives an LL_POWER_CONTROL_REQ PDU from the same peer device, it shall set the APR field to 0xFF in its response to that PDU. A responding Link Layer may also set the APR field to 0xFF when it



is not managing the power level of the requested PHY, if it does not have a valid value to report, or if it does not support this field. Otherwise the responding Link Layer shall set the APR field as described in [Section 5.1.17.1](#).

The new power level for the PHY shall take effect before the response is sent.

Note: The Link Layer may request the remote Link Layer to change the preferred transmit power level for a different PHY, for example before initiating a PHY Update procedure or creating an associated CIS on a PHY different from the one used for the ACL. To do this, it may query the remote Link Layer for the transmit power level that it would use for that PHY and then request a change to the transmit power level.

If the PHY in the LL_POWER_CONTROL_REQ PDU is not supported by the remote Link Layer in its transmit direction or the PHY field contains no set bits, more than one set bit, or a bit set that is reserved for future use, the remote Link Layer shall respond with an LL_REJECT_EXT_IND PDU with the ErrorCode set to *Unsupported LMP Parameter Value/Unsupported LL Parameter Value* (0x20).

If the TxPower in the LL_POWER_CONTROL_REQ PDU is set to 126, the remote Link Layer shall respond with an LL_REJECT_EXT_IND_PDU with the ErrorCode set to *Invalid LL Parameters* (0x1E).

The procedure has completed when either an LL_POWER_CONTROL_RSP PDU has been sent or received or an LL_REJECT_EXT_IND PDU has been sent or received with the RejectOpcode field set to LL_POWER_CONTROL_REQ.

5.1.17.1 Acceptable power reduction

A radio receiver may have a “golden range” of RSSI that it prefers the incoming signal to remain within. A device with such a receiver can use the Power Control Request procedure to bring the current RSSI ($RSSI_{curr}$) of the incoming signal to a preferred value within its golden range. Nevertheless, it may still be able to receive the signal at a level that is equal to or above a minimum acceptable RSSI ($RSSI_{min}$) that is lower than the current RSSI. A device can use the Power Control Request procedure to check whether its peer can accept such a reduction in power and, if so, adjust its transmit power based on the response.

When a device sends an LL_POWER_CONTROL_RSP PDU, it should set the APR field to the value given by the following equation:

$$APR = \begin{cases} 0, & \text{if } RSSI_{curr} \leq RSSI_{min} \\ RSSI_{curr} - RSSI_{min}, & \text{if } RSSI_{curr} > RSSI_{min} \end{cases}$$



When a device reports an APR value to the peer device other than zero or 0xFF, it should wait at least two connection intervals to see if the peer device has made use of it to change its local transmit power before initiating a new Power Control Request procedure to request a remote transmit power level change. A device can determine if the peer device has changed its transmit power by sending an LL_POWER_CONTROL_REQ PDU with Delta set to zero, by looking for changes in the RSSI of incoming packets, or by the receipt of an LL_POWER_CHANGE_IND PDU.

When a device receives an APR value from the peer device other than 0xFF, the time period for which that value is considered to remain valid is implementation-specific; for example, the Link Layer can examine changes in received RSSI and remote transmit power level since the APR value was received. When a device receives an APR value other than 0xFF from the peer device, it shall not reduce its power level more than the value specified. When the device receives an APR value of 0xFF, it may choose to ignore any previous APR values.

5.1.18 Power Change Indication procedure

The Link Layer uses the Power Change Indication procedure, when supported, to notify the remote Link Layer of transmit power changes.

After the peer has sent at least one LL_POWER_CONTROL_REQ PDU, a Link Layer shall send an autonomous notification consisting of an LL_POWER_CHANGE_IND PDU each time that any of the following happens:

- It changes the power level autonomously on any PHY that it is managing power levels for.
- It changes the maximum power level on its current transmit PHY to the current power level.
- It starts managing the power level for a PHY.
- It stops managing the power level for a PHY.

A Link Layer shall not send the LL_POWER_CHANGE_IND PDU in any other circumstance. If two or more of the above situations occur for the same PHY at the same time or within a connection interval, it may combine the reports into a single LL_POWER_CHANGE_IND PDU. A Link Layer should not perform autonomous power level updates more than once per second to avoid sending too many LL_POWER_CHANGE_IND PDUs to the remote device.

If the notification is for the current ACL PHY, it shall be sent at the power level specified in the notification.

The procedure has completed when the LL_POWER_CHANGE_IND PDU has been sent or received.



The recipient shall ignore all bits of the PHY field of the LL_POWER_CHANGE_IND PDU that correspond to PHYs that it does not support or are reserved for future use. If the PHY field has no bits set or if every bit set corresponds to a PHY that the recipient does not support or is reserved for future use, the recipient shall ignore the PDU.

5.1.19 Connection Subrate Update procedure

The Central's Link Layer may update the subrate parameters (*connSubrateBaseEvent*, *connSubrateFactor*, and *connContinuationNumber*), *connPeripheralLatency*, and *connSupervisionTimeout* of a connection by sending an LL_SUBRATE_IND PDU. The Peripheral shall not send this PDU. The Central shall only initiate this procedure when requested by the Host, when requested by the Peripheral via the Connection Subrate Request procedure, or as recommended in [Section 5.5](#). The Central shall not initiate this procedure while a Connection Parameters Request procedure is in progress. The Central shall not initiate this procedure until it has performed a Feature Exchange procedure (see [Section 5.1.4](#)) to determine that the Connection Subrating (Host Support) bit is set in the Peripheral's FeatureSet.

After the Central transmits this PDU for the first time during a Connection Subrate Update procedure, it shall enter subrate transition mode. The Central leaves subrate transition mode when it receives the Link Layer acknowledgment for the PDU and then uses the new subrate base event, subrate factor, continuation number, Peripheral latency, and supervision timeout.

During subrate transition mode, the Central shall retransmit the PDU on all connection events which are subrated connection events based on the old subrate base event and subrate factor or are subrated connection events based on the new subrate base event and subrate factor (ignoring Peripheral latency). It shall continue to use the old supervision timeout. If the new continuation number is non-zero then the Central may also transmit on other connection events. The Central's Link Layer may take the Peripheral's opportunities for reception into account when determining which connection events it chooses to transmit on while in subrate transition mode.

When the Peripheral receives this PDU it shall immediately switch to the new subrate base event, subrate factor, continuation number, Peripheral latency, and supervision timeout.

For example, as shown in [Figure 5.5](#), if the old subrate base event is 32, the old subrate factor is 5, the new subrate base event is 38, the new subrate factor is 3, and the Central transmitted the LL_SUBRATE_IND PDU on connection event 42, then the old parameters will result in the devices using connection events 37, 42, 47, 52, 57 etc. while the new parameters will result in the devices using connection events 44, 47, 50, 53, 56, etc. Therefore, while it is in subrate transition mode, the Central will use connection events 42, 44, 47, 50, 52, 53, 56, 57, and so on until it receives the acknowledgment.

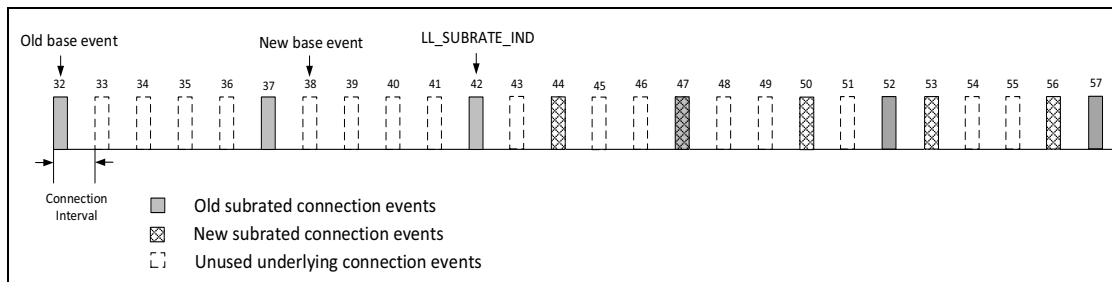


Figure 5.5: Connection events used during subrate transition mode

The Central shall set the value of SubrateBaseEvent ("S") in the PDU so that $S_{15-14} = E_{15-14}$, where E is the value of *connEventCount* for the connection event when the PDU is first queued for transmission. If the Peripheral receives an LL_SUBRATE_IND PDU with $S_{15-14} = 0b11$ in a connection event with $connEventCounter_{15-14} = 0b00$ then, immediately after updating the parameters, it shall change *connSubrateBaseEvent* as described in Section 4.5.1 as if the value of *connEventCount* had just wrapped.

The requirement on the value of S_{15-14} means the Peripheral can determine whether the Central intended to send the PDU before or after *connEventCount* wrapped. For example, consider the situation where the current *connSubrateFactor* is 10 and the current *connSubrateBaseEvent* is 12002. As the point of wrap approaches, these parameters mean that the connection events used are 65522, 65532, 6, 16, 26, etc. If the LL_SUBRATE_IND PDU contained those values for these two parameters then, if the PDU was queued, sent, and received on event 65532, it indicated that the same connection events are to be used; on the other hand, if the PDU was queued, sent, and received on event 6, then it implies a change of phase so that connection events 12, 22, 32, etc. are to be used instead. Since internal queues and retransmissions can mean that a packet queued for event 65532 could be received in event 6, the Peripheral needs to be able to distinguish these two cases, which it does by making the test described.

The procedure is completed when the Link Layer acknowledgment for the LL_SUBRATE_IND PDU has been sent or received.

The Peripheral shall accept an LL_SUBRATE_IND PDU. However, if the Peripheral's Host would prefer a different subrate factor it may, after this procedure has completed, initiate the Connection Subrate Request procedure or the Connection Parameters Request procedure to change the connection parameters.

5.1.20 Connection Subrate Request procedure

The Peripheral's Link Layer may request the Central to update the subrate factor, Peripheral latency, continuation number, and supervision timeout by sending an LL_SUBRATE_REQ PDU. The Central shall not send this PDU. The Peripheral shall only initiate this procedure when requested by the Host.



When the Central receives this PDU it shall either initiate the Connection Subrate Update procedure or shall respond with an LL_REJECT_EXT_IND PDU to reject the request. If the Central's Host has not set the Connection Subrating (Host Support) bit in the FeatureSet, the Central's Link Layer shall reject the request. If the Central's Host has provided acceptable subrate parameters for requests from the Peripheral, then the Central's Link Layer shall initiate the Connection Subrate Update procedure if and only if all of the following are true ("acceptable" indicates values provided by the Host, see [Vol 4] Part E, Section 7.8.124; "requested" indicates values in the LL_SUBRATE_REQ PDU):

- $Max_Latency_{requested} \leq Max_Latency_{acceptable}$,
- $Timeout_{requested} \leq Supervision_Timeout_{acceptable}$,
- $SubrateFactorMax_{requested} \geq Subrate_Min_{acceptable}$,
- $SubrateFactorMin_{requested} \leq Subrate_Max_{acceptable}$,
- $(connInterval_{current} \times SubrateFactorMin_{requested} \times (Max_Latency_{requested} + 1)) \times 2 < Timeout_{requested}$

If the Central accepts the Peripheral's request, then:

- the new *connSubrateFactor* shall be between $Subrate_Min_{acceptable}$ and $Subrate_Max_{acceptable}$ and shall also be between $SubrateFactorMin_{requested}$ and $SubrateFactorMax_{requested}$,
- the new *connContinuationNumber* shall equal $\min(\max(Continuation_Number_{acceptable}, ContinuationNumber_{requested}), (new\ connSubrateFactor) - 1)$,
- the new *connPeripheralLatency* shall be less than or equal to $\min(Max_Latency_{requested}, Max_Latency_{acceptable})$,
- the new *connSupervisionTimeout* shall equal $\min(Timeout_{requested}, Supervision_Timeout_{acceptable})$.

The procedure has completed when the resulting Connection Subrate Update procedure has completed or an LL_REJECT_EXT_IND PDU has been sent or received.

5.1.21 Channel Classification Enable procedure

A Controller uses the Channel Classification Enable procedure to enable or disable reporting of channel classification information on the peer device. Until the Central initiates this procedure, reporting shall be disabled.

The Central can initiate this procedure at any time after entering the Connection state by sending an LL_CHANNEL_REPORTING_IND PDU. The Peripheral shall not send this PDU.



When a Peripheral that supports the Channel Classification feature receives this PDU, it shall enable or disable reporting of channel classification information to the Central as specified in the PDU. When reporting is enabled, the Peripheral should send channel classification information by initiating the Channel Classification Reporting procedure (see [Section 5.1.22](#)). When reporting is disabled, the Peripheral shall not send channel classification information.

The procedure has completed when the Link Layer acknowledgment of the LL_CHANNEL_REPORTING_IND PDU is sent or received.

5.1.22 Channel Classification Reporting procedure

A Controller uses the Channel Classification Reporting procedure to report channel classification information to the peer device.

The Peripheral may initiate this procedure by sending an LL_CHANNEL_STATUS_IND PDU after channel classification reporting has been enabled by the Central. The Central shall not send this PDU.

If channel classification information has not changed since the last time the Peripheral reported the information to the Central, then the Peripheral shall not initiate this procedure. Otherwise, the Peripheral shall initiate this procedure within, or in the first subrated connection event after, the maximum reporting delay from determining that a change in channel classification has occurred or from channel classification reporting being enabled, whichever is later. Two consecutive channel classification reports shall be spaced apart by a duration that is greater than or equal to the minimum reporting spacing.

The procedure has completed when the Link Layer acknowledgment of the LL_CHANNEL_STATUS_IND PDU is sent or received.

5.2 PROCEDURE RESPONSE TIMEOUT

This section specifies procedure timeout rules that shall be applied to all the Link Layer control procedures specified in [Section 5.1](#), except for the Connection Update and Channel Map Update procedures for which there are no timeout rules.

To be able to detect a non-responsive Link Layer Control procedure, both the Central and the Peripheral shall use a procedure response timeout timer, T_{PRT} . Upon the initiation of a procedure, the procedure response timeout timer shall be reset and started.

Each LL Control PDU that is queued for transmission resets the procedure response timeout timer.

When the procedure completes, the procedure response timeout timer shall be stopped.



If the procedure response timeout timer reaches 40 seconds, the ACL connection is considered lost (see [Section 4.5.12](#)). The Link Layer exits the Connection state and shall transition to the Standby state. The Host shall be notified of the loss of connection.

5.3 PROCEDURE COLLISIONS

Since LL Control PDUs are not interpreted in real time, collisions can occur where the Link Layer of the Central and the Link Layer of the Peripheral initiate incompatible procedures. Two procedures are incompatible if they both involve an instant. In this situation, the rules in this section shall be followed:

A device shall not initiate a procedure after responding to a PDU that had initiated an incompatible procedure until that procedure is complete.

If device initiates a procedure A and, while that procedure is not complete, receives a PDU from its peer that initiates an incompatible procedure B, then:

- If the peer has already sent at least one PDU as part of procedure A, the device should immediately exit the Connection State and transition to the Standby State.
- Otherwise, if the device is the Central, it shall reject the PDU received from the Peripheral by issuing an LL_REJECT_EXT_IND (if supported by both devices) or LL_REJECT_IND (otherwise) PDU. It shall then proceed with procedure A.
- Otherwise (the device is the Peripheral) it shall proceed to handle the Central-initiated procedure B and take no further action in the Peripheral-initiated procedure A except processing the rejection from the Central.

The Host shall be notified that the link has been disconnected with, or the rejection PDU shall use (as appropriate):

- the error code *LMP Error Transaction Collision / LL Procedure Collision* (0x23) if procedures A and B are the same procedure;
- the error code *LMP Error Transaction Collision / LL Procedure Collision* (0x23) if procedure A is the Connection Update procedure and procedure B is the Connection Parameters Request procedure;
- the error code *Different Transaction Collision* (0x2A) otherwise.

5.4 LE AUTHENTICATED PAYLOAD TIMEOUT

LE Authenticated Payload Timeout (*authenticatedPayloadTO*) is a parameter that defines the maximum amount of time in milliseconds allowed between receiving packets containing a valid MIC. The Host can change the value of *authenticatedPayloadTO* using the HCI_Write_Authenticated_Payload_Timeout command ([\[Vol 4\] Part E, Section 7.3.94](#)). The default value for *authenticatedPayloadTO* is 30 seconds.



When the connection is encrypted, a device supporting LE Ping feature shall start the LE Authenticated Payload timer $T_{LE_Authenticated_Payload}$ to monitor the time since the last reception of a packet containing a valid MIC from the remote device. Each device shall reset the timer $T_{LE_Authenticated_Payload}$ upon reception of a packet with a valid MIC. The timer shall not be reset upon the reception of a resent packet.

If at any time in the CONNECTION state the timer $T_{LE_Authenticated_Payload}$ reaches the *authenticatedPayloadTO* value, the Host shall be notified using the *HCI_Authenticated_Payload_Timeout_Expired* event ([Vol 4] Part E, Section 7.7.75). The $T_{LE_Authenticated_Payload}$ Timer restarts after it is expired.

The timer $T_{LE_Authenticated_Payload}$ shall continue to run during encryption pause procedure.

Whenever the Host sets the *authenticatedPayloadTO* while the timer $T_{LE_Authenticated_Payload}$ is running, the timer shall be reset.

5.5 PROCEDURES WITH INSTANTS

Where a procedure involves a PDU with an Instant field, then the following rules shall apply.

The Instant field shall be used to indicate the *connEventCount* or *bigEventCounter* when the relevant change shall be applied; this is known as the instant for the procedure. The Central should allow a minimum of 6 connection events when it intends to transmit and that the Peripheral will be listening for before the instant occurs, considering that the Peripheral may only be listening once every $connSubrateFactor \times (connPeripheralLatency + 1)$ events. The event shall be the next one with the specified value of *connEventCount* or of *bigEventCounter*₁₅₋₀.

Note: Comparisons of the *connEventCount* or *bigEventCounter* and the Instant field are performed using *mod 65536* math (only values from 0 to 65535 are allowed).

When performing a Link Layer procedure that has an instant, the Central's Link Layer may (particularly for large values of the subrate factor) use the Connection Subrate Update procedure to set the subrate factor to 1 and the Peripheral latency to 0 before performing the procedure and then use it again to restore the previous values afterwards. If the Link Layer does so, it should not notify the Host of these changes. However, the Link Layer shall not restore the settings autonomously after a Connection Update procedure that changed the connection interval and shall not restore *connPeripheralLatency* or *connSupervisionTimeout* after a Connection Update procedure that did not change the connection interval.



5.5.1 ACL control procedures

When a Peripheral receives such a PDU where (Instant – *connEventCount*) *mod* 65536 is less than 32767 and Instant is not equal to *connEventCount*, the Peripheral shall listen to all the connection events until it has confirmation that the Central has received its acknowledgment of the PDU or *connEventCount* equals Instant.

When a Peripheral receives such a PDU where (Instant – *connEventCount*) *mod* 65536 is greater than or equal to 32767 (because the instant is in the past), it shall take the following actions:

- If the PDU is an LL_CONNECTION_UPDATE_IND, the Link Layer of the Peripheral shall consider the connection to be lost.
- Otherwise, the Link Layer of the Peripheral may consider the connection to be lost.

If the connection is considered to be lost, the Link Layer of the Peripheral shall exit the Connection state and transition to the Standby state, and shall notify the Host using the error code *Instant Passed* (0x28).

5.5.2 BIG control procedures

The Isochronous Broadcaster shall set the instant at least 6 BIG events after the first BIG event where the BIG Control PDU is transmitted.

When a Synchronized Receiver receives such a PDU where (Instant – *bigEventCounter*) *mod* 65536 is greater than or equal to 32767 (because the instant is in the past), the Link Layer may stop synchronization with the BIG.

5.6 BIG CONTROL PROCEDURES

BIG control procedures are used to send control information concerning a BIG from the Isochronous Broadcaster to the Synchronized Receivers.

Each BIG Control procedure involves transmitting a single BIG Control PDU during the control subevent of BIG events. Each such PDU shall be transmitted in six consecutive BIG events and may be transmitted in other BIG events (not necessarily consecutive) after these six; the procedure ends when the BIG Control PDU has been retransmitted for the last time. Only one BIG control procedure shall be in progress at a time for a given BIG.

5.6.1 BIG Channel Map Update procedure

The BIG Channel Map Update procedure is used to send a new channel map for all BISEs in a BIG.



When instructed by the Host or autonomously, the Link Layer of an Isochronous Broadcaster shall initiate this procedure by transmitting a `BIG_CHANNEL_MAP_IND` PDU.

The Link Layer of the Isochronous Broadcaster shall not initiate a subsequent instance of this procedure until the instant has passed.

The Link Layer of both Isochronous Broadcaster and Synchronized Receiver shall use the new channel map starting with the BIG event identified by the instant. The Link Layer shall update the ChM field in the BIGInfo and send the updated BIGInfo in the associated periodic advertising train (if enabled) at the nearest future periodic advertising event to the instant.

5.6.2 BIG Termination procedure

The BIG Termination procedure is used to notify all Synchronized Receivers of a BIG that the transmission of that BIG is about to be terminated.

When instructed by the Host, the Link Layer shall initiate this procedure by transmitting a `BIG_TERMINATE_IND` PDU. The Link Layer shall stop transmitting BIG events at the instant and shall return to the Standby state. If the Link Layer is still transmitting the associated BIGInfo, it shall stop doing so no later than the instant.

The Link Layer shall terminate the BIG no later than when the *bisPayloadCounter* equals $2^{39} - 1$.

When the Link Layer receives a `BIG_TERMINATE_IND` PDU, it shall stop synchronization with the BIG and, unless it is still synchronized to the periodic advertising train, shall return to the Standby state.



6 PRIVACY

The Link Layer provides Privacy by using Private Addresses (see [Section 1.3.2](#)).

If a device is using Resolvable Private Addresses [Section 1.3.2.2](#), it shall also have an Identity Address that is either a Public or Random Static address type.

6.1 RESOLVABLE PRIVATE ADDRESS GENERATION INTERVAL

A resolvable private address shall be generated using the Resolvable Private Address Generation (see [Section 1.3.2.2](#)).

The Link Layer shall set a timer determined by the Host. A new resolvable private address shall be generated when the timer expires. If the Link Layer is reset, a new resolvable private address shall be generated and the timer started with any value in the allowed range.

Note: If the resolvable private address is generated frequently, connection establishment times may be affected. It is recommended to set the timer to 15 minutes.

If requested by the Host, the Controller shall generate a new resolvable private address each time the advertising data or scan response data changes.

6.2 PRIVACY IN THE ADVERTISING STATE

Privacy in the advertising state determines how the Link Layer processes Resolvable Private Addresses for advertising events.

The requirements in the following sub-sections apply in addition to those in [Section 4.4.2](#) and [Section 4.7](#).

6.2.1 Connectable and scannable undirected event type

The Link Layer may use resolvable private addresses or non-resolvable private addresses for the advertiser's device address (AdvA field) when entering the Advertising State and using connectable and scannable undirected events.

The AdvA field of the connectable and scannable undirected advertising event PDU is generated using the resolving list's Local IRK value and the Resolvable Private Address Generation procedure (see [Section 1.3.2.2](#)). If the Host has not provided any Resolving List IRK pairs for the peer to the Link Layer, then the AdvA field shall use a Host-provided address.

When an advertiser receives a connection request that contains a resolvable private address for the initiator's address (InitA field) and address resolution is



enabled, the Link Layer shall resolve the private address (see [Section 1.3.2.3](#)). The advertising filter policy (see [Section 4.3.2](#)) shall then determine if the advertiser establishes a connection.

When an advertiser receives a connection request that contains a device Identity Address for the initiator's address field (InitA field), and if that device is in the Resolving List with a non-zero peer IRK for which the Host has specified device privacy mode, then the advertising filter policy (see [Section 4.3.2](#)) shall determine if the advertiser establishes a connection.

When an advertiser receives a scan request that contains a resolvable private address for the scanner's device address (ScanA field) and address resolution is enabled, the Link Layer shall resolve the private address (see [Section 1.3.2.3](#)). The advertising filter policy (see [Section 4.3.2](#)) shall then determine if the advertiser processes the scan request.

When an advertiser receives a scan request that contains a device Identity Address for the scanner's device address (ScanA field), and if that device is in the Resolving List with a non-zero peer IRK for which the Host has specified device privacy mode, then the advertising filter policy (see [Section 4.3.2](#)) shall determine if the advertiser processes the scan request.

When an advertiser receives a scan or connection request that contains a non-resolvable private address, the advertising filter policy (see [Section 4.3.2](#)) shall determine if the advertiser processes the scan or connection request.

If the advertiser processes the scan request, the advertiser's device address (AdvA field) in the SCAN_RSP PDU shall be the same as the advertiser's device address (AdvA field) in the SCAN_REQ PDU to which it is responding.

6.2.2 Connectable directed event type

The Link Layer shall use resolvable private addresses for the advertiser's device address (AdvA field). If an IRK is available in the Link Layer Resolving List for the peer device, then the target's device address (TargetA field) shall use a resolvable private address. If an IRK is not available in the Link Layer Resolving List or the IRK is set to zero for the peer device, then the target's device address (TargetA field) shall use the Identity Address when entering the Advertising State and using connectable directed events.

The AdvA field of the connectable directed advertising event PDU is generated using the resolving list's Local IRK value and the Resolvable Private Address Generation procedure (see [Section 1.3.2.2](#)).

The TargetA field of the connectable directed advertising event PDU is generated using the Peer IRK value and the Resolvable Private Address Generation procedure (see [Section 1.3.2.2](#)). The TargetA field uses the public or static device address of the peer device if no peer IRK is available.



When an advertiser receives a connection request that contains a resolvable private address for the initiator's address (InitA field) and address resolution is enabled, the Link Layer shall resolve the private address (see [Section 1.3.2.3](#)).

When an advertiser receives a connection request that contains a device Identity Address for the initiator's address field (InitA field), and if that device is in the Resolving List with a non-zero peer IRK for which the Host has specified device privacy mode, then the advertiser shall establish a connection. When responding with an AUX_CONNECT_RSP, the Link Layer should not set the TargetA field to the same value as the InitA field in the received PDU.

6.2.3 Non-connectable and non-scannable undirected and scannable undirected event types

The Link Layer may use resolvable private addresses or non-resolvable private addresses for the advertiser's device address (AdvA field) when entering the Advertising State and using the following event types:

- non-connectable and non-scannable undirected event
- scannable undirected event

The AdvA field of the non-connectable and non-scannable undirected advertising event PDU and scannable undirected event PDU are generated using the resolving list's Local IRK value and the Resolvable Private Address Generation procedure or Non-Resolvable Private Address Generation procedure (see [Section 1.3.2.2](#)).

When an advertiser receives a scan request that contains a resolvable private address for the scanner's device address (ScanA field) and address resolution is enabled, the Link Layer shall resolve the private address (see [Section 1.3.2.3](#)). The advertising filter policy (see [Section 4.3.2](#)) shall then determine if the advertiser processes the scan request.

When an advertiser receives a scan request that contains a device Identity Address for the scanner's device address (ScanA field), and if that device is in the Resolving List with a non-zero peer IRK for which the Host has specified device privacy mode, then the advertising filter policy (see [Section 4.3.2](#)) shall determine if the advertiser processes the scan request.

When an advertiser receives a scan request that contains a non-resolvable private address, the advertising filter policy (see [Section 4.3.2](#)) shall determine if the advertiser processes the scan request.

If the advertiser processes the scan request, the advertiser's device address (AdvA field) in the scan response PDU shall be the same as the advertiser's device address (AdvA field) in the scan request PDU to which it is responding.



6.2.4 Connectable undirected event type

The Link Layer may use resolvable private addresses or non-resolvable private addresses for the advertiser's device address (AdvA field) when entering the Advertising State and using connectable undirected events.

The AdvA field of the connectable undirected advertising event PDU is generated using the resolving list's Local IRK value and the Resolvable Private Address Generation procedure (see [Section 1.3.2.2](#)). If the Host has not provided any Resolving List IRK pairs for the peer to the Link Layer, then the AdvA field shall use a Host-provided address.

When an advertiser receives a connection request that contains a resolvable private address for the initiator's address (InitA field) and address resolution is enabled, the Link Layer shall resolve the private address (see [Section 1.3.2.3](#)). The advertising filter policy (see [Section 4.3.2](#)) shall then determine if the advertiser establishes a connection. The Link Layer should not set the TargetA field to the same value as the InitA field in the received PDU.

The advertising filter policy (see [Section 4.3.2](#)) shall determine if the advertiser processes the connect request if an advertiser receives a connect request that contains a non-resolvable private address.

6.2.5 Non-connectable and non-scannable directed and scannable directed event types

The Link Layer may use resolvable private addresses or non-resolvable private addresses for the advertiser's device address (AdvA field) when entering the Advertising State and using the following event types:

- non-connectable and non-scannable directed event
- scannable directed event

If an IRK is available in the Link Layer Resolving List for the peer device, then the target's device address (TargetA field) shall use a resolvable private address. If an IRK is not available in the Link Layer Resolving List or the IRK is set to zero for the peer device, then the target's device address (TargetA field) shall use the Identity Address when entering the Advertising State and using non-connectable and non-scannable directed and scannable directed events.

The AdvA field of the non-connectable and non-scannable directed advertising event PDU and scannable directed event PDU is generated using the resolving list's Local IRK value and the Resolvable Private Address Generation procedure or Non-Resolvable Private Address Generation procedure (see [Section 1.3.2.2](#)).

The TargetA field of the scannable directed advertising event PDU is generated using the Peer IRK value and the Resolvable Private Address Generation



procedure (see [Section 1.3.2.2](#)). The TargetA field uses the public or static device address of the peer device if no peer IRK is available.

When an advertiser receives a scan request that contains a resolvable private address for the scanner's device address (ScanA field) and address resolution is enabled, the Link Layer shall resolve the private address (see [Section 1.3.2.3](#)).

If the advertiser processes the scan request, the advertiser's device address (AdvA field) in the AUX_SCAN_RSP PDU shall be the same as the advertiser's device address (AdvA field) in the AUX_SCAN_REQ PDU to which it is responding.

6.3 PRIVACY IN THE SCANNING STATE

The requirements in this section apply in addition to those in [Section 4.4.3](#) and [Section 4.7](#).

The Link Layer may use resolvable private addresses or non-resolvable private addresses for the scanner's device address (ScanA field) when entering the Scanning State.

The ScanA field of the scanning PDU is generated using the Resolving List's Local IRK value and the Resolvable Private Address Generation procedure (see [Section 1.3.2.2](#)), or the address is provided by the Host.

The advertiser's device address (AdvA field) in the scan request PDU shall be the same as the advertiser's device address (AdvA field) received in the advertising PDU to which the scanner is responding.

When a scanner receives an advertising packet that contains a resolvable private address for the advertiser's device address (AdvA field) and address resolution is enabled, the Link Layer shall resolve the private address (see [Section 1.3.2.3](#)). The scanning filter policy (see [Section 4.3.3](#)) shall then determine if the scanner responds with a scan request.

When a scanner receives an advertising packet that contains a device Identity Address for the advertiser's device address (AdvA field), and if that device is in the Resolving List with a non-zero peer IRK for which the Host has specified device privacy mode, then the scanning filter policy (see [Section 4.3.3](#)) shall determine if the scanner responds with a scan request. The Link Layer should not set the ScanA field to the same value as the TargetA field in the received advertising PDU.

When a scanner receives a directed scannable advertising packet that contains a resolvable private address for the target's address (TargetA field) and address resolution is enabled, the Link Layer shall resolve the private address using the Local IRK values (see [Section 1.3.2.3](#)). If the Link Layer is



unable to resolve the address, the scanning filter policy shall determine if the Host is notified about this advertisement.

A scanner that has been instructed by the Host to use Resolvable Private Addresses (e.g., using the `HCI_LE_Set_Scan_Parameters` command; see [Vol 4] Part E, Section 7.8.10) shall not respond to directed scannable advertising events that contain public or static addresses for the target's address (TargetA field).

When a scanner receives an advertising packet that contains a non-resolvable private address, the scanning filter policy (see Section 4.3.3) shall determine if the scanner processes the advertising packet.

6.4 PRIVACY IN THE INITIATING STATE

The requirements in this section apply in addition to those in Section 4.4.4 and Section 4.7.

The Link Layer may use resolvable private addresses, the public address, or an address provided by the Host for the initiator's device address (InitA field) when in the Initiating state.

When an initiator receives a connectable advertising event that contains a resolvable private address for the advertiser's address (AdvA field) and address resolution is enabled, the Link Layer shall resolve the private address using the resolving list's Peer IRK values (see Section 1.3.2.3). The initiator filter policy (see Section 4.3.4) shall determine if the initiator establishes a connection.

The advertiser's device address (AdvA field) in the initiating PDU shall be the same as the advertiser's device address (AdvA field) received in the advertising event PDU to which the initiator is responding.

When an initiator receives a directed connectable advertising event that contains a resolvable private address for the target's address (TargetA field) and address resolution is enabled, the Link Layer shall resolve the private address using the resolving list's Local IRK values (see Section 1.3.2.3). An initiator that has been instructed by the Host to use Resolvable Private Addresses (e.g., using the `HCI_LE_Create_Connection` command; see [Vol 4] Part E, Section 7.8.12) shall not respond to directed connectable advertising events that contain Public or Static addresses for the target's address (TargetA field).

When an initiator receives a connectable advertising event that contains a device Identity Address for the advertiser's device address (AdvA field), and if that device is in the Resolving List with a non-zero peer IRK for which the Host has specified device privacy mode, then the initiator filter policy (see Section 4.3.4) shall determine if the initiator establishes a connection.



The Link Layer shall use resolvable private addresses for the initiator's device address (InitA field) when initiating connection establishment with an associated device that exists in the Resolving List. The initiator's device address (InitA field) in the initiating PDU is generated using the Resolving List Local IRK and the Resolvable Private Address Generation procedure (see [Section 1.3.2.2](#)). The Link Layer should not set the InitA field to the same value as the TargetA field in the received advertising PDU.

The Link Layer shall use the public address or the Host-provided address for the initiator's device address (InitA field) when initiating connection establishment with a device that is not in the Resolving List.

6.5 PRIVACY OF THE DEVICE

A device wanting to maintain its privacy shall not use its Identity Address in any advertising PDU. The Host may command the Controller to advertise, scan, or initiate a connection using a Resolvable Private Address when the resolving list is enabled. If the local IRK in the resolving list associated with the peer Identity Address is all zeros, the Controller will use the Identity Address. If the peer IRK in the resolving list associated with the peer Identity Address is all zeros, the Controller will accept the Identity Address. If the Host has instructed the Controller to use device privacy mode with a peer Identity Address, the Controller will accept the peer's Identity Address. This implies that the device's network privacy is violated. To maintain a device's network privacy, the Host should only populate entries in the Controller's resolving list with non-zero IRKs and not instruct the Controller to use device privacy mode.

6.6 PRIVACY IN THE SYNCHRONIZATION STATE

6.6.1 Periodic advertising trains

The requirements in this section apply when the Link Layer is directed by the Host to receive a periodic advertising train using the SyncInfo field of an AUX_ADV_IND PDU. The requirements in this section apply in addition to those in [Section 4.4.5.1](#) and [Section 4.7](#).

When a scanner receives an advertising packet that contains a resolvable private address for the advertiser's device address (AdvA field) and address resolution is enabled, the Link Layer shall resolve the private address (see [Section 1.3.2.3](#)). The scanner's periodic sync establishment filter policy (see [Section 4.3.5](#)) shall determine if the scanner processes the advertising packet.



7 ISO TEST MODE

This section contains information on testing a CIS or BIS in the Controller without the protocols and profiles in the Host that use the CIS Central, CIS Peripheral, Isochronous Broadcaster, and Synchronized Receiver role features of this specification. The command that enters ISO Test mode takes the connection handle of a CIS or BIS as a parameter.

7.1 ISO TRANSMIT TEST MODE

When instructed by the Host, the Link Layer shall generate and transmit the payloads in SDUs as follows:

1. When Payload_Type = 0b00 (zero size SDU), the length of every SDU shall be set to zero.
2. When Payload_Type = 0b01 (variable size SDU), every SDU shall contain the value of the 4-octet SDU counter of the SDU padded with vendor-specific data as shown in Figure 7.1. The size of the SDU can be different in every SDU_Interval by an algorithm chosen by the transmitting device. The range shall be between 4 and Max_SDU.

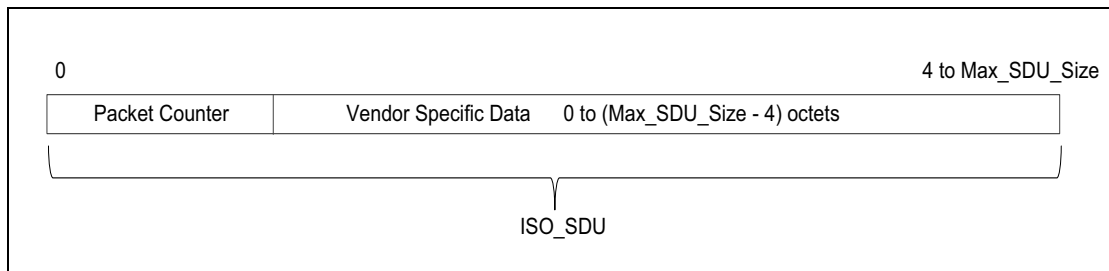


Figure 7.1: Payload_Type = 1 (variable size payloads)

3. When Payload_Type = 0b10 (maximum size SDU), every SDU shall contain the value of the 4-octet SDU counter of the SDU padded with vendor-specific data, as shown in Figure 7.2. The length of every SDU shall be equal to the value of the Max_SDU.

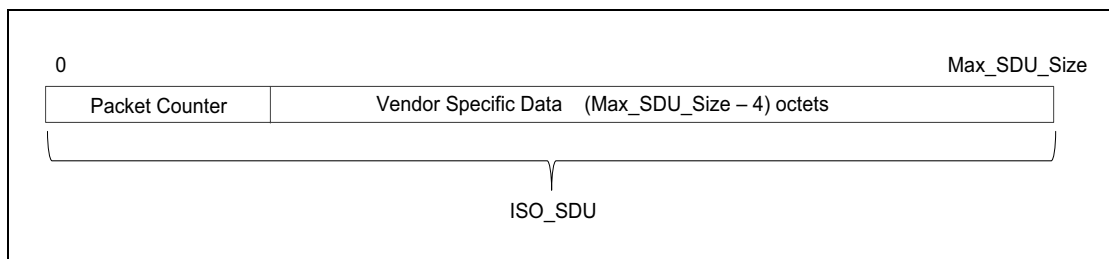


Figure 7.2: Payload_Type = 2 (maximum size payloads)



The ISO Transmit Test mode may be used in combination with the ISO Receive Test mode for a CIS configured for data flow from the Central to Peripheral and/or Peripheral to Central.

Note: For Payload_Type = 0b01 and 0b10, the minimum SDU size must be configured to be at least 4 octets, as described above in numbered paragraphs 2 and 3.

The SDU counter depends on the configuration (Max_SDU, SDU_Interval, or Max_PDU), of the logical link in the direction ISO Transmit Test mode is applied.

- When using unframed PDUs, the SDU counter shall be equal to the payload counter (i.e. the value of *bisPayloadCounter* in a BIS or of *cisPayloadCounter* in a CIS) of the first PDU containing the first fragment from the SDU divided by n when the Max_SDU would have been used, where $n = (BN \times \text{SDU_Interval}) \div \text{ISO_Interval}$.

Note: For $n=1$ this results in the SDU counter being identical to the payload counter. The SDU counter is independent of the actual length of the SDUs when using variable length SDUs.

- When using framed PDUs the SDU counter cannot be derived from the payload counter of the PDU. It shall be initialized to 0 for the first test SDU transmitted and incremented by 1 for each additional SDU.

When instructed by the Host, the Link Layer shall stop generating test SDUs, exit the ISO Transmit Test mode, and notify the Host.

7.2 ISO RECEIVE TEST MODE

When instructed by the Host, the Link Layer shall initialize three 32-bit counters (Missed_SDU_Count, Received_SDU_Count, and Failed_SDU_Count) to zero and then increment these counters based on the received or missed test SDUs. Any vendor-specific data included in the SDU shall be ignored for the purpose of updating these counters.

When using framed PDUs the expected value of the SDU counter shall be initialized with the value of the SDU counter of the first valid received SDU. A valid SDU is one where all the PDUs composing the SDU are valid.

The counters shall be incremented as follows:

1. The Received_SDU_Count shall be incremented by one for every valid received test ISO Data SDU containing a size in the expected range and an SDU counter that matches the expected value as defined in [Section 7.1](#). This includes empty SDUs when configured to zero size SDU.
2. The Missed_SDU_Count shall be incremented by one for each SDU that is made up of one or more invalid or missing PDUs.



3. The Failed_SDU_Count shall be incremented by one for each valid received test SDU where the size or SDU counter does not match the expected size or value as defined in [Section 7.1](#).

Because the transmitter and receiver do not enter test mode simultaneously, it is not possible to determine whether the first test SDU received was the first one sent. As a consequence, at the moment the first valid test SDU is received (indicated by either Received_SDU_Count or Failed_SDU_Count being incremented), the value of Missed_SDU_Count is unpredictable. Once a valid test SDU has been received, any further changes in Missed_SDU_Count will be correct.

When instructed by the Host, the Link Layer shall exit the ISO Receive Test mode and notify the Host.



8 REFERENCES

- [1] Core Specification Supplement, Part A, Data Types Specification

Low Energy Controller

Part C

SAMPLE DATA

This Part contains sample data for Bluetooth Low Energy. All sample data are provided for reference purpose only. They can be used to check the behavior of an implementation and avoid misunderstandings.



CONTENTS

1	Encryption sample data	2916
1.1	Encrypt Command	2918
1.2	Derivation of the MIC and encrypted data	2918
2	LE Coded PHY sample data	2922
2.1	Reference information packet.....	2922
2.2	Forward Error Correction encoder.....	2922
2.3	Transmitted symbols (S=2).....	2923
2.4	Transmitted symbols (S=8).....	2924
3	LE Channel Selection algorithm #2 sample data	2925
3.1	Sample data 1 (37 used channels).....	2925
3.2	Sample data 2 (9 used channels).....	2926
4	Complete packets	2927
4.1	Whitening sequences	2927
4.2	Advertising Physical channel PDUs.....	2928
4.2.1	Legacy advertising PDUs.....	2928
4.2.2	Extended advertising PDUs	2928
4.3	Data channel PDUs	2929
4.3.1	LL data PDUs.....	2929
4.3.2	LL control PDUs	2930
5	Access Address generation for BISEs	2931
6	Group Session Key derivation for BIG	2932



1 ENCRYPTION SAMPLE DATA

This section contains sample data for the Low Energy encryption process.

The following scenario describes the start of encryption, followed by the transfer of an encrypted data physical channel data packet in each direction. It describes:

- how the derived values are calculated (fixed values are given in red)
- which HCI command and events are exchanged (given in *italic*)
- which LL messages are exchanged over the air (given in green).

Note: CRCs are not shown because they depend on a random CRC init value. Scrambling is disabled.

The following parameters are set to the fixed values below:

LTK = 0x4C68384139F574D836BCF34E9DFB01BF (MSO to LSO)
EDIV = 0x2474 (MSO to LSO)

RAND = 0xABCDEF1234567890 (MSO to LSO)
SKD_C = 0xACBDCEDFE0F10213 (MSO to LSO)
SKD_P = 0x0213243546576879 (MSO to LSO)
IV_C = 0xBADCAB24 (MSO to LSO)
IV_P = 0xDEAFBABA (MSO to LSO)

HCI_LE_Enable_Encryption (length 0x1C) - Central HCI command
Pars (LSO to MSO) 00 08 90 78 56 34 12 ef cd ab 74 24 bf 01 fb 9d 4e f3 bc 36
d8 74 f5 39 41 38 68 4c
Handle (2-octet value MSO to LSO) 0x0800
Random (8-octet value MSO to LSO) 0xabcdef1234567890
Encrypted Diversifier (2-octet value MSO to LSO) 0x2474
Long Term Key (16-octet value MSO to LSO) 0x4c68384139f574d836bcf34e9dfb01bf

SKD_C (LSO to MSO) :0x13:0x02:0xF1:0xE0:0xDF:0xCE:0xBD:0xAC:

IV_C (LSO to MSO) :0x24:0xAB:0xDC:0xBA

LL_ENC_REQ 03 17 03 90 78 56 34 12 ef cd ab 74 24 13 02 f1 e0 df ce bd ac 24
ab dc ba
Length 0x17
Control Type 0x03
Rand 90 78 56 34 12 ef cd ab
EDIV 74 24
SKD_C 13 02 f1 e0 df ce bd ac
IV_C 24 ab dc ba

SKD_P (LSO to MSO) :0x79:0x68:0x57:0x46:0x35:0x24:0x13:0x02:

IV_P (LSO to MSO) :0xBE:0xBA:0xAF:0xDE

Sample Data

```
LL_ENC_RSP 0b 0d 04 79 68 57 46 35 24 13 02 be ba af de
  Length 0x0D
  Control Type 0x04
  SKD_P 79 68 57 46 35 24 13 02
  IV_P be ba af de
```

```
IV = IV_P || IV_C
IV (LSO to MSO) :0x24:0xAB:0xDC:0xBA:0xBE:0xBA:0xAF:0xDE
```

```
HCI_Long_Term_Key_Request (length 0x0D) - Peripheral event
  Pars (LSO to MSO) 05 01 08 90 78 56 34 12 ef cd ab 74 24
  LE_Event_Code 0x05
  Handle (2-octet value MSO to LSO) 0x0801
  Random (8-octet value MSO to LSO) 0xabcdef1234567890
  Encrypted Diversifier (2-octet value MSO to LSO) 0x2474
```

```
HCI_LE_Long_Term_Key_Request_Reply (length 0x12) - Peripheral command
  Pars (LSO to MSO) 01 08 bf 01 fb 9d 4e f3 bc 36 d8 74 f5 39 41 38 68 4c
  Handle (2-octet value MSO to LSO) 0x0801
  Key (16-octet value MSO to LSO) 0x4C68384139F574D836BCF34E9DFB01BF
```

```
SKD = SKD_P || SKD_C
SKD (LSO to MSO)
:0x13:0x02:0xF1:0xE0:0xDF:0xCE:0xBD:0xAC:0x79:0x68:0x57:0x46:0x35:0x24:0x13:0x02:
```

```
SK = Encrypt(LTK, SKD)
SK (LSO to MSO)
:0x66:0xC6:0xC2:0x27:0x8E:0x3B:0x8E:0x05:0x3E:0x7E:0xA3:0x26:0x52:0x1B:0xAD:0x99:
```

```
LL_START_ENC_REQ 07 01 05
  Length 0x01
  Control Type 0x05
```

```
LL_START_ENC_RSP1 0f 05 9f cd a7 f4 48
  Length 0x05
  Control Type Encrypted:0x9F Clear:0x06
  MIC (32-bit value MSO to LSO) 0xCDA7F448 (Note: MICs are sent MSO first on the
  air)
```

```
LL_START_ENC_RSP2 07 05 a3 4c 13 a4 15
  Length 0x05S
  Control Type Encrypted:0xA3 Clear:0x06
  MIC (32-bit value MSO to LSO) 0x4C13A415
```

```
HCI_ACL_Data packet Central's Host to Controller
  00 08 1b 00 17 00 63 64 65 66 67 68 69 6a 6b 6c 6d 6e 6f 70 71 31 32 33 34 35 36
  37 38 39 30
  Handle (12-bit value MSO to LSO) 0x0800
  Data Total Length (16-bit value MSO to LSO) 0x001B (27 dec)
  Data (LSO to MSO) 17 00 63 64 65 66 67 68 69 6a 6b 6c 6d 6e 6f 70 71 31 32 33
  34 35 36 37 38 39 30
```

```
LL_DATA1 0e 1f 7a 70 d6 64 15 22 6d f2 6b 17 83 9a 06 04 05 59 6b d6 56 4f 79 6b 5b
9c e6 ff 32 f7 5a 6d 33
  Length 0x1F (i.e. 27 + 4 = 31 dec)
  Data (LSO to MSO)
```

Sample Data



```

Clear      17 00 63 64 65 66 67 68 69 6a 6b 6c 6d 6e 6f 70 71 31 32 33 34 35 36
37 38 39 30
Encrypted 7a 70 d6 64 15 22 6d f2 6b 17 83 9a 06 04 05 59 6b d6 56 4f 79 6b 5b
9c e6 ff 32
MIC (32-bit value MSO to LSO)  0xF75A6D33
    
```

```

HCI_ACL_Data_Packet Peripheral's Host to Controller
01 08 1b 00 17 00 37 36 35 34 33 32 31 30 41 42 43 44 45 46 47 48 49 4a 4b 4c 4d
4e 4f 50 51
Handle (12-bit value MSO to LSO) 0x0801
Data Total Length (16-bit value MSO to LSO) 0x001B (27 dec)
Data (LSO to MSO) 17 00 37 36 35 34 33 32 31 30 41 42 43 44 45 46 47 48 49 4a
4b 4c 4d 4e 4f 50 51
    
```

```

LL_DATA2 06 1f f3 88 81 e7 bd 94 c9 c3 69 b9 a6 68 46 dd 47 86 aa 8c 39 ce 54 0d 0d
ae 3a dc df 89 b9 60 88
Length 0x1F (i.e. 27 + 4 = 31 dec)
Data (LSO to MSO)
Clear      17 00 37 36 35 34 33 32 31 30 41 42 43 44 45 46 47 48 49 4a 4b 4c 4d
4e 4f 50 51
Encrypted f3 88 81 e7 bd 94 c9 c3 69 b9 a6 68 46 dd 47 86 aa 8c 39 ce 54 0d 0d
ae 3a dc df
MIC (32-bit value MSO to LSO)  0x89B96088
    
```

1.1 ENCRYPT COMMAND

```

HCI_LE_Encrypt (length 0x20) - command
Pars (LSO to MSO) bf 01 fb 9d 4e f3 bc 36 d8 74 f5 39 41 38 68 4c 13 02 f1 e0 df
ce bd ac 79 68 57 46 35 24 13 02
Key (16-octet value MSO to LSO):          0x4C68384139F574D836BCF34E9DFB01BF
Plaintext_Data (16-octet value MSO to LSO): 0x0213243546576879acbdcedfe0f10213
    
```

```

HCI_Command_Complete (length 0x14) - event
Pars (LSO to MSO) 02 17 20 00 66 c6 c2 27 8e 3b 8e 05 3e 7e a3 26 52 1b ad 99
Num_HCI_Command_Packets: 0x02
Command_Opcode (2-octet value MSO to LSO): 0x2017
Status: 0x00
Encrypted_Data (16-octet value MSO to LSO): 0x99ad1b5226a37e3e058e3b8e27c2c666
    
```

1.2 DERIVATION OF THE MIC AND ENCRYPTED DATA

All B/X/A/S values below follow the notation: LSbyte to MSbyte & msbit to lsbit.

```

IV = DEAFBABEBADCAB24
SK = 99AD1B5226A37E3E058E3B8E27C2C666
    
```

```

1.START_ENC_RSP1 (packet 0, Central → Peripheral)
-----
    
```

```

B0 = 49000000008024ABDCBABEBAAFDE0001
B1 = 00010300000000000000000000000000
B2 = 06000000000000000000000000000000
    
```

Sample Data

```
X1 = 712eaaaae60603521d245e50786eefe4
X2 = debc43782a022675fca0aa6f0854f1ab
X3 = 6399913fede5fa111bdb993bbfb9be06
=> MIC = 6399913f
```

```
A0 = 01000000008024ABDCBABEBAAFDE0000
A1 = 01000000008024ABDCBABEBAAFDE0001
```

```
S0 = ae3e6577f64a8f25408c9c10d53acf8e
S1 = 99190d88f4aa1b60b97ecfe6f5fee777
```

```
So, encrypted packet payload = 9F
    encrypted MIC = CDA7F448
```

Which results in the following packet:

```
LL_START_ENC_RSP1 - 0f 05 9f cd a7 f4 48
  Length: 05
  Control Type:
    Clear:      06
    Encrypted: 9f
  MIC: CD A7 F4 48
```

2.START_ENC_RSP2 (packet 0, Peripheral → Central)

```
-----
B0 = 49000000000024ABDCBABEBAAFDE0001
B1 = 00010300000000000000000000000000
B2 = 06000000000000000000000000000000
```

```
X1 = ddc86e3094f0c29cf341ef4c2c1e0088
X2 = fe960f5c93fba45a53959842ea8a0c0a
X3 = db403db3a32f39156faf6a6b472e1010
=> MIC = db403db3
```

```
A0 = 01000000000024ABDCBABEBAAFDE0000
A1 = 01000000000024ABDCBABEBAAFDE0001
```

```
S0 = 975399a66acdc39124886930d7bca95f
S1 = a5add4127b2f43788ddc9cd86b0b89d2
```

```
So, encrypted packet payload = A3
    encrypted MIC = 4c13a415
```

Which results in the following packet:

```
LL_START_ENC_RSP2 07 05 a3 4c 13 a4 15
  Length: 05
  Control Type:
    Clear:      06
```

Sample Data

```
Encrypted: A3
MIC: 4c 13 a4 15
```

3. Data packet1 (packet 1, Central → Peripheral)

```
-----
```

```
B0 = 49010000008024ABDCBABEBAAFDE001B
B1 = 00010200000000000000000000000000
B2 = 1700636465666768696A6B6C6D6E6F70
B3 = 71313233343536373839300000000000
```

```
X1 = 7c688612996de101f3eacb68b443969c
X2 = e3f1ef5c30161c0a9ec07274a0757fc8
X3 = e7e346f5b7c8a6072890a60dcf4ec20a
X4 = 3db113320b182f9fed635db14cac2df0
=> MIC = 3db11332
```

```
A0 = 01010000008024ABDCBABEBAAFDE0000
A1 = 01010000008024ABDCBABEBAAFDE0001
A2 = 01010000008024ABDCBABEBAAFDE0002
```

```
S0 = caeb7e017296dd2fa9a2ce789179501a
S1 = 6d70b50070440a9a027de8f66b6a6a29
S2 = 1ae7647c4d5e6dabdec602404c302341
```

So, encrypted packet payload =

```
7A70D66415226DF26B17839A060405596BD6564F796B5B9CE6FF32
encrypted MIC = F75A6D33
```

which results in the following packet:

```
LL_DATA1 0E 1F 7A 70 D6 64 15 22 6D F2 6B 17 83 9A 06 04 05 59 6B D6
56 4F 79 6B 5B 9C E6 FF 32 F7 5A 6D 33
Length: 1F
Data:
Clear:      17 00 63 64 65 66 67 68 69 6a 6b 6c 6d 6e 6f 70 71 31
32 33 34 35 36 37 38 39 30
Encrypted: 7A 70 D6 64 15 22 6D F2 6B 17 83 9A 06 04 05 59 6B D6
56 4F 79 6B 5B 9C E6 FF 32
MIC: F7 5A 6D 33
```

4. Data packet2 (packet 1, Peripheral → Central)

```
-----
```

```
B0 = 49010000000024ABDCBABEBAAFDE001B
B1 = 00010200000000000000000000000000
B2 = 17003736353433323130414243444546
B3 = 4748494A4B4C4D4E4F50510000000000
```


Sample Data

```
X1 = 714234d50d6f1da5663be3e78460ad87
X2 = 96df1d97959e6176ac215c7baf90c674
X3 = 6cc52c3dcecdc2fa81eb347887960673
X4 = a776a26be617366496c391e36f6374a1 => MIC = a776a26b
```

```
A0 = 01010000000024ABDCBABEBAAFDE0000
A1 = 01010000000024ABDCBABEBAAFDE0001
A2 = 01010000000024ABDCBABEBAAFDE0002
```

```
S0 = 2ecfc2e31e01875653c0f306fc7bfb96
S1 = e488b6d188a0faf15889e72a059902c0
S2 = edc470841f4140e0758c8e8f708399bd
```

So, encrypted packet payload =

```
F38881E7BD94C9C369B9A66846DD4786AA8C39CE540D0DAE3ADCDF
  encrypted MIC = 89B96088
```

Which results in the following packet:

```
LL_DATA2 06 1F F3 88 81 E7 BD 94 C9 C3 69 B9 A6 68 46 DD 47 86 AA 8C
39 CE 54 0D 0D AE 3A DC DF 89 B9 60 88
  Length: 1F
  Data:
    Clear:      17 00 37 36 35 34 33 32 31 30 41 42 43 44 45 46 47 48
49 4a 4b 4c 4d 4e 4f 50 51
    Encrypted: F3 88 81 E7 BD 94 C9 C3 69 B9 A6 68 46 DD 47 86 AA 8C
39 CE 54 0D 0D AE 3A DC DF

MIC: 89 B9 60 88
```



2 LE CODED PHY SAMPLE DATA

Whenever bits are specified, they are in transmission order irrespective of spacing.

2.1 REFERENCE INFORMATION PACKET

The reference packet is described as bytes in transmission order (the leftmost byte in a line is transmitted first). Inside a byte, bits are transmitted LSB first.

```
Access address:  D6 BE 89 8E
PDU:             00 03 42 4C 45
CRC:            29 0A CE
```

2.2 FORWARD ERROR CORRECTION ENCODER

This data shows the bits input to and output by the FEC encoder and its internal state.

The encoder state is expressed in octal notation where the LSB represents the rightmost bit store in [Figure 3.6 of \[Vol 6\] Part B, Section 3.3.1](#). The state specified is that after the bits are output and the shift operations have taken place.

```
Access address
Input:  0  1  1  0  1  0  1  1  0  1  1  1  1  1  0  1
        1  0  0  1  0  0  0  1  0  1  1  1  0  0  0  1
State:  0  4  6  3  5  2  5  6  3  5  6  7  7  7  3  5
        6  3  1  4  2  1  0  4  2  5  6  7  3  1  0  4
Output: 0 0 1 1 0 1 0 1 1 1 0 1 0 0 1 0 0 1 1 1 1 0 1 0 0 1 0 1 1 0 1 1
        1 0 0 1 0 0 0 0 1 0 1 1 1 1 1 1 1 0 0 0 1 0 1 0 1 0 0 0 1 1 1 1
```

```
CI
      If S=2           If S=8
Input:  1  0           0  0
State:  6  3           2  1
Output: 0 1 0 1       1 0 1 1
```

```
TERM1
      If S=2           If S=8
Input:  0  0  0       0  0  0
State:  1  0  0       0  0  0
Output: 0 0 1 1 0 0   1 1 0 0 0 0
```

Sample Data



PDU

```

Input:  0 0 0 0 0 0 0 0 1 1 0 0 0 0 0
        0 1 0 0 0 0 1 0 0 0 1 1 0 0 1 0
        1 0 1 0 0 0 1 0
State:  0 0 0 0 0 0 0 0 4 6 3 1 0 0 0 0
        0 4 2 1 0 0 4 2 1 0 4 6 3 1 4 2
        5 2 5 2 1 0 4 2
Output: 0 0 0 0 0 0 0 0 0 0 0 0 0 0 0 1 1 0 1 0 1 0 0 1 1 0 0 0 0 0
        0 0 1 1 1 0 1 1 1 1 0 0 1 1 1 0 1 1 1 1 1 1 0 1 0 1 0 0 0 0 1 0
        0 0 0 1 0 0 0 1 1 1 1 1 1 1 1 0
    
```

CRC

```

Input:  1 0 0 1 0 1 0 0 0 1 0 1 0 0 0 0
        0 1 1 1 0 0 1 1
State:  5 2 1 4 2 5 2 1 0 4 2 5 2 1 0 0
        0 4 6 7 3 1 4 6
Output: 0 0 0 1 1 1 0 0 1 0 0 0 0 1 1 1 1 1 1 1 0 0 0 0 1 1 1 1 1 0 0
        0 0 1 1 0 1 1 0 1 0 0 0 0 0 1
    
```

TERM2

```

Input:  0 0 0
State:  3 1 0
Output: 0 1 0 0 1 1
    
```

2.3 TRANSMITTED SYMBOLS (S=2)

Preamble

```

0011 1100 0011 1100 0011 1100 0011 1100 0011 1100 0011 1100
0011 1100 0011 1100 0011 1100 0011 1100
    
```

Access Address

```

0011 0011 1100 1100 0011 1100 0011 1100 1100 1100 0011 1100
0011 0011 1100 0011 0011 1100 1100 1100 1100 0011 1100 0011
0011 1100 0011 1100 1100 0011 1100 1100 1100 0011 0011 1100
0011 0011 0011 1100 0011 1100 1100 1100 1100 1100 1100 1100
1100 0011 0011 0011 1100 0011 1100 0011 1100 0011 0011 0011
1100 1100 1100 1100
    
```

CI

```

0011 1100 0011 1100
    
```

TERM1

```

0011 0011 1100 1100 0011 0011
    
```

PDU

```

0 0 0 0 0 0 0 0 0 0 0 0 0 0 0 1 1 0 1 0 1 0 0 1 1 0 0 0 0 0 0 0 0 1 1 1 0 1
1 1 1 0 0 1 1 1 0 1 1 1 1 1 0 1 0 1 0 0 0 0 1 0 0 0 0 1 0 0 0 1 1 1 1 1 1 1
1 0
    
```

CRC

```

0 0 0 1 1 1 0 0 1 0 0 0 0 1 1 1 1 1 1 1 0 0 0 0 1 1 1 1 1 0 0 0 0 1 1 0 1 1
0 1 0 0 0 0 0 0 1
    
```

TERM2

```

0 1 0 0 1 1
    
```

Total Packet Duration 510 μs

Sample Data**2.4 TRANSMITTED SYMBOLS (S=8)**

Preamble

```
0011 1100 0011 1100 0011 1100 0011 1100 0011 1100 0011 1100
0011 1100 0011 1100 0011 1100 0011 1100
```

Access Address

```
0011 0011 1100 1100 0011 1100 0011 1100 1100 1100 0011 1100
0011 0011 1100 0011 0011 1100 1100 1100 1100 0011 1100 0011
0011 1100 0011 1100 1100 0011 1100 1100 1100 0011 0011 1100
0011 0011 0011 0011 1100 0011 1100 1100 1100 1100 1100 1100
1100 0011 0011 0011 1100 0011 1100 0011 1100 0011 0011 0011
1100 1100 1100 1100
```

CI

```
1100 0011 1100 1100
```

TERM1

```
1100 1100 0011 0011 0011 0011
```

PDU

```
0011 0011 0011 0011 0011 0011 0011 0011 0011 0011 0011 0011
0011 0011 0011 0011 1100 1100 0011 1100 0011 1100 0011 0011
1100 1100 0011 0011 0011 0011 0011 0011 0011 0011 1100 1100
1100 0011 1100 1100 1100 1100 0011 0011 1100 1100 1100 0011
1100 1100 1100 1100 1100 1100 0011 1100 0011 1100 0011 0011
0011 0011 1100 0011 0011 0011 0011 1100 0011 0011 0011 1100
1100 1100 1100 1100 1100 1100 1100 0011
```

CRC

```
0011 0011 0011 1100 1100 1100 0011 0011 1100 0011 0011 0011
0011 1100 1100 1100 1100 1100 1100 1100 1100 0011 0011 0011
0011 1100 1100 1100 1100 1100 0011 0011 0011 0011 1100 1100
0011 1100 1100 0011 1100 0011 0011 0011 0011 0011 0011 1100
```

TERM2

```
0011 1100 0011 0011 1100 1100
```

Total Packet Duration 912 μ s



3 LE CHANNEL SELECTION ALGORITHM #2 SAMPLE DATA

This section contains two sets of sample data with different channel maps for the LE Channel Selection Algorithm #2.

The test access address is 0x8E89BED6, meaning the *channelIdentifier* is 0x305F.

3.1 SAMPLE DATA 1 (37 USED CHANNELS)

Channel map [36:0] = 0b11111_11111111_11111111_11111111_11111111.

The minimum channel distance $d = 11$.

	Event Counter	0	1	2	3
ACL or Periodic advertising event / CIS or BIS subevent 1	prn_e	56857	1685	38301	27475
	unmappedChannel	25	20	6	21
	mappedChannel ¹	25	20	6	21
Subevent 2	remappingIndexOfLastUsedChannel	25	20	6	21
	prnSubEvent_se	11710	20925	6541	40400
	subEventIndex	1	36	18	4
	mappedSubEventChannel ¹	1	36	18	4
Subevent 3	prnSubEvent_se	16649	11081	14597	30015
	subEventIndex	16	12	32	22
	mappedSubEventChannel ¹	16	12	32	22
Subevent 4	prnSubEvent_se	38198	48920	62982	49818
	subEventIndex	36	34	21	8
	mappedSubEventChannel ¹	36	34	21	8

Table 3.1: Sample data 1 (37 used channels)

¹ These values are the general purpose channel indices actually used for transmitting and receiving the relevant event or subevent.



3.2 SAMPLE DATA 2 (9 USED CHANNELS)

Channel map [36:0] = 0b11110_00000000_11100000_00000110_00000000.

The remapping table is [9, 10, 21, 22, 23, 33, 34, 35, 36].

The minimum channel distance $d = 3$.

	Event Counter	6	7	8
ACL or Periodic advertising event / CIS or BIS subevent 1	prn_e	10975	5490	46970
	unmappedChannel	23	14	17
	mappedChannel ¹	23	9	34
Subevent 2	remappingIndexOfLastUsedChannel	4	0	6
	prnSubEvent_se	14383	4108	7196
	subEventIndex	7	3	0
	mappedSubEventChannel ¹	35	22	9
Subevent 3	prnSubEvent_se	28946	45462	33054
	subEventIndex	2	8	5
	mappedSubEventChannel ¹	21	36	33
Subevent 4	prnSubEvent_se	61038	64381	42590
	subEventIndex	8	5	1
	mappedSubEventChannel ¹	36	33	10

Table 3.2: Sample data (9 Used channels)

¹ These values are the general purpose channel indices actually used for transmitting and receiving the relevant event or subevent.



4 COMPLETE PACKETS

Examples in this section assume use of the LE 1M PHY. For the LE 2M PHY, the packet will be identical except for the longer preamble and longer (in number of bits) Constant Tone Extension. For the LE Coded PHY, examples of converting from the form used on the uncoded PHYs to those used on the air are shown in Section 2.

Bit sequences are always in transmission order irrespective of spacing. Decimal and hexadecimal numbers are in their normal form.

4.1 WHITENING SEQUENCES

The whitening sequence (see [Vol 6] Part B, Section 3.2) depends only on the physical channel index of the channel being used. The sequence repeats after 127 bits.

Channel First 64 bits of the whitening sequence

0	00000010	01001101	00111101	11000011	11111000	11101100	01010010	11111010
1	10010001	00000010	01001101	00111101	11000011	11111000	11101100	01010010
2	01001011	11101010	10000101	10111100	11100101	01100110	00001101	10101110
3	11011000	10100101	11110101	01000010	11011110	01110010	10110011	00000110
4	00100110	10011110	11110001	11111100	01110110	00101001	01111101	01010000
5	10110101	11010001	10010001	00000010	01001101	00111101	11000011	11111000
6	01101111	00111001	01011001	10000011	01101011	10100011	00100010	00000100
7	11111100	01110110	00101001	01111101	01010000	10110111	10011100	10101100
8	00010000	00100100	11010011	11011100	00111111	10001110	11000101	00101111
9	10000011	01101011	10100011	00100010	00000100	10011010	01111011	10000111
10	01011001	10000011	01101011	10100011	00100010	00000100	10011010	01111011
11	11001010	11001100	00011011	01011101	00011001	00010000	00100100	11010011
12	00110100	11110111	00001111	11100011	10110001	01001011	11101010	10000101
13	10100111	10111000	01111111	00011101	10001010	01011111	01010100	00101101
14	01111101	01010000	10110111	10011100	10101100	11000001	10110101	11010001
15	11101110	00011111	11000111	01100010	10010111	11010101	00001011	01111001
16	00001011	01111001	11001010	11001100	00011011	01011101	00011001	00010000
17	10011000	00110110	10111010	00110010	00100000	01001001	10100111	10111000
18	01000010	11011110	01110010	10110011	00000110	11010111	01000110	01000100
19	11010001	10010001	00000010	01001101	00111101	11000011	11111000	11101100
20	00101111	10101010	00010110	11110011	10010101	10011000	00110110	10111010
21	10111100	11100101	01100110	00001101	10101110	10001100	10001000	00010010
22	01100110	00001101	10101110	10001100	10001000	00010010	01101001	11101110
23	11110101	01000010	11011110	01110010	10110011	00000110	11010111	01000110
24	00011001	00010000	00100100	11010011	11011100	00111111	10001110	11000101
25	10001010	01011111	01010100	00101101	11100111	00101011	00110000	01101101
26	01010000	10110111	10011100	10101100	11000001	10110101	11010001	10010001
27	11000011	11111000	11101100	01010010	11111010	10100001	01101111	00111001
28	00111101	11000011	11111000	11101100	01010010	11111010	10100001	01101111
29	10101110	10001100	10001000	00010010	01101001	11101110	00011111	11000111
30	01110100	01100100	01000000	10010011	01001111	01110000	11111110	00111011
31	11100111	00101011	00110000	01101101	01110100	01100100	01000000	10010011
32	00000110	11010111	01000110	01000100	00001001	00110100	11110111	00001111
33	10010101	10011000	00110110	10111010	00110010	00100000	01001001	10100111

Sample Data

```

34 01001111 01110000 11111110 00111011 00010100 10111110 10101000 01011011
35 11011100 00111111 10001110 11000101 00101111 10101010 00010110 11110011
36 00100010 00000100 10011010 01111011 10000111 11110001 11011000 10100101
37 10110001 01001011 11101010 10000101 10111100 11100101 01100110 00001101
38 01101011 10100011 00100010 00000100 10011010 01111011 10000111 11110001
39 11111000 11101100 01010010 11111010 10100001 01101111 00111001 01011001

```

4.2 ADVERTISING PHYSICAL CHANNEL PDUS

4.2.1 Legacy advertising PDUs

Example: ADV_NONCONN_IND PDU

PDU Type: 2
 ChSel: RFU
 TxAdd: 1 (random)
 RxAdd: RFU
 AdvA: 0xC1A2A3A4A5A6 (a static device address)
 AdvData: (3 octets) 0x01 0x02 0x03
 Channel index: 38

PDU header: 0100 0 0 1 0 10010000
 PDU body: 01100101 10100101 00100101 11000101 01000101 10000011
 10000000 01000000 11000000
 CRC: 10110101 00101101 11010111

PDU and CRC before whitening:
 01000010 10010000 01100101 10100101 00100101 11000101 01000101
 10000011 10000000 01000000 11000000 10110101 00101101 11010111

PDU and CRC after whitening:
 00101001 00110011 01000111 10100001 10111111 10111110 11000010
 01110010 01011000 11100101 00110101 11110111 11110011 10100101

Complete packet:
 01010101
 01101011 01111101 10010001 01110001
 00101001 00110011 01000111 10100001 10111111 10111110 11000010
 01110010 01011000 11100101 00110101 11110111 11110011 10100101

4.2.2 Extended advertising PDUs

Example: connectable undirected AUX_ADV_IND PDU with AdvA, ADI, TxPower, and AdvData fields.

PDU Type: 7
 ChSel: RFU
 TxAdd: 0 (public)
 RxAdd: RFU
 AdvA: 0xA9AAABACADAE (a public device address)
 Advertising DID: 0xABC
 Advertising SID: 0xE
 TxPower: 0xD6 (-42 dBm)
 AdvData: (5 octets) 0x05 0x07 0x09 0x0B 0x0D
 Channel index: 7

Sample Data

PDU header: 1110 0 0 0 0 00001000

Extended header length: 010100

AdvMode: 10

Extended header:

Flags: 1 0 0 1 0 0 1 0

AdvA: 01110101 10110101 00110101 11010101 01010101 10010101

ADI: 001111010101 0111

TxPower: 01101011

AdvData: 10100000 11100000 10010000 11010000 10110000

PDU: 11100000 00001000 01010010 10010010 01110101 10110101 00110101
11010101 01010101 10010101 00111101 01010111 01101011 10100000
11100000 10010000 11010000 10110000

CRC: 00011011 11000100 01110101

PDU and CRC after whitening:

00011100 01111110 01111011 11101111 00100101 00000010 10101001
01111001 10010100 00100000 11101100 11000110 01101001 11101101
11011101 01010011 00101000 01011100 01001001 00111110 11010100

Complete packet:

01010101
01101011 01111101 10010001 01110001
00011100 01111110 01111011 11101111 00100101 00000010 10101001
01111001 10010100 00100000 11101100 11000110 01101001 11101101
11011101 01010011 00101000 01011100 01001001 00111110 11010100

4.3 DATA CHANNEL PDUS

Note: The examples in this section are unencrypted. Examples of the encryption process can be seen in section 1.

4.3.1 LL data PDUs

Access address: 0xAA08192B

CRCInit: 0xC4C181

LLID: 2

NESN: 1

SN: 0

MD: 1

Payload: 0x01 0x02 0x03 0x04 0x05

No Constant Tone Extension

Channel index 16

PDU header: 01 1 0 1 0 00 10100000

PDU: 01101000 10100000 10000000 01000000 11000000 00100000 10100000

CRC: 10100010 00001011 01001011

Sample Data

PDU and CRC after whitening:

```
01100011 11011001 01001010 10001100 11011011 01111101 10111001
10110010 00101111 10011000
```

Complete packet:

```
10101010
11010100 10011000 00010000 01010101
01100011 11011001 01001010 10001100 11011011 01111101 10111001
10110010 00101111 10011000
```

4.3.2 LL control PDUs

Access address: 0xAA173C42

CRCInit: 0xCD3F6C

Type: LL_CHANNEL_MAP_IND

NESN: 0

SN: 1

MD: 1

Map: channels 2, 5, and 33 to 36 unused, all other channels used

Instant: 0x4321

AoD Constant Tone Extension, length 40 μ s, 2 μ s switching and sampling
Channel index 29

PDU header: 11 0 1 1 1 00 00010000 10100 0 01

```
PDU: 11011100 00010000 10100001 10000000 11011011 11111111 11111111
11111111 10000000 10000100 11000010
```

CRC: 10011100 01000111 00101001

PDU and CRC after whitening:

```
01110010 10011100 00101001 10010010 10110010 00010001 11100000
00111000 11100010 00010011 00010111 10010111 00111110 11100011
```

Complete packet:

```
01010101
01000010 00111100 11101000 01010101
01110010 10011100 00101001 10010010 10110010 00010001 11100000
00111000 11100010 00010011 00010111 10010111 00111110 11100011
11111111 11111111 11111111 11111111 11111111
```



5 ACCESS ADDRESS GENERATION FOR BISES

The Access Addresses for the various BISEs in a BIG with the SeedAccessAddress 0x78E52493 are:

Num_BIS	Access Address
1	0x85E32493
2	0x79D52493
3	0x86752493
4	0x7A572493
5	0x85F12493
6	0x79D32493
7	0x86732493
8	0x7B652493
9	0x85C72493
10	0x78E12493
11	0x86412493
12	0x7B632493
13	0x85D52493
14	0x78F72493
15	0x86572493
16	0x7B712493
17	0x85D32493
18	0x78C52493
19	0x87652493
20	0x7B472493
21	0x84E12493
22	0x78C32493
23	0x87632493
24	0x7B552493
25	0x84F72493
26	0x78D12493
27	0x87712493
28	0x7B532493
29	0x84C52493
30	0x79E72493
31	0x87472493

Table 5.1: Access Address generation for BISEs

The Access Address of the BIG Control logical link is 0x7A412493.

Sample Data

6 GROUP SESSION KEY DERIVATION FOR BIG

In each data set in this section, the bytes are ordered from most significant on the left to least significant on the right.

Group Session Key Derivation Function h8

K	ec0234a3	57c8ad05	341010a6	0a397d9b
S	1536d18d	e3d20df9	9b7044c1	2f9ed5ba
keyID	cc030148			
IK	fe77ab4e	fa982991	c1486a3b	281fd4bc
h8	e5e5beba	ae7228e7	22a38904	ed350f6d

Derivation of Group Session Key from Broadcast Code

Bluetooth Broadcast Code: "Børne House"

Broadcast Code	00000000	6573756f	4820656e	72b8c342
GSKD	55188b3d	32f6bb9a	900afcfc	eed4e72a
"BIG1"	00000000	00000000	00000000	42494731
"BIG2"	42494732			
"BIG3"	42494733			
IGLTK	4c0dd74c	2b19aa95	d8982385	5f1001b8
GLTK	c4cd4b83	49b5a18a	02de6620	9017aed3
GSK	be2a16fc	7ac464e7	52301bcc	c818812c

MESSAGE SEQUENCE CHARTS

Examples of message sequence charts showing the interactions of the Host Controller Interface with the Link Layer.



CONTENTS

1	Introduction	2937
1.1	Notation	2937
1.2	Control flow.....	2937
1.3	Example MSC.....	2938
1.4	Forward compatibility.....	2938
2	Standby state	2940
2.1	Initial setup	2940
2.2	Random Device address	2942
2.3	Filter Accept List	2942
2.4	Adding IRK to resolving list.....	2943
2.5	Default data length	2943
2.6	Periodic Advertiser List	2944
3	Advertising state	2945
3.1	Undirected advertising.....	2945
3.2	Directed advertising	2946
3.3	Advertising using ADV_EXT_IND	2948
3.4	Scan request notifications	2949
3.5	Advertising duration ended.....	2950
3.6	Periodic advertising	2951
3.7	Connectionless Constant Tone Extension transmission	2952
3.8	Isochronous Broadcasting State.....	2953
	3.8.1 Create a Broadcast Isochronous Group	2953
	3.8.2 Terminate a Broadcast Isochronous Group	2954
3.9	Periodic advertising with responses (PAwR)	2954
3.10	Transmitting PAwR subevents	2955
3.11	Using a response slot in PAwR.....	2956
3.12	Connecting from PAwR.....	2957
3.13	Failed Connection Attempts From PAWR.....	2957
4	Scanning state	2959
4.1	Passive scanning.....	2959
4.2	Active scanning	2960
4.3	Passive scanning for directed advertisements with Privacy ..	2961
4.4	Active scanning with Privacy	2962
4.5	Active scanning with Privacy and Controller based resolvable private address generation	2963
4.6	Active scanning on the secondary advertising Physical channel... 2964	
4.7	Scan timeout.....	2965
4.8	Scanning for periodic advertisements	2966



- 4.9 Cancel scanning for periodic advertisements 2967
- 4.10 Periodic advertising synchronization timeout..... 2968
- 4.11 Terminate reception of periodic advertising 2969
- 4.12 Connectionless Constant Tone Extension reception 2970
- 4.13 Synchronization with separate enable of reports..... 2971
- 5 Initiating state 2972**
 - 5.1 Initiating a connection 2972
 - 5.2 Canceling an initiation 2973
 - 5.3 Initiating a connection using undirected advertising with Privacy .. 2974
 - 5.4 Initiating a connection using directed advertising with Privacy 2975
 - 5.5 Initiating a connection that fails to establish 2976
 - 5.6 Initiating a connection on the secondary advertising physical channel 2977
 - 5.7 Initiating a Channel Selection algorithm #2 connection 2978
- 6 Connection state..... 2979**
 - 6.1 Sending data 2979
 - 6.2 Connection update 2980
 - 6.3 Channel map update 2980
 - 6.4 Features exchange 2981
 - 6.5 Version exchange 2982
 - 6.6 Start encryption 2983
 - 6.7 Start encryption without long-term key 2984
 - 6.8 Start encryption with event masked..... 2985
 - 6.9 Start encryption without Peripheral supporting encryption 2985
 - 6.10 Restart encryption 2986
 - 6.11 Disconnect..... 2987
 - 6.12 Connection parameters request 2988
 - 6.13 LE Ping 2992
 - 6.14 Data length update 2994
 - 6.15 PHY update 2994
 - 6.16 Minimum number of used channels request..... 3000
 - 6.17 LL procedure collision..... 3001
 - 6.18 Constant Tone Extension Request 3001
 - 6.19 Connected Isochronous Group Setup 3004
 - 6.20 Host Rejects Connected Isochronous Stream..... 3006
 - 6.21 Link Layer Rejects Connected Isochronous Stream..... 3008
 - 6.22 Link Layer Rejects Connected Isochronous Stream..... 3010
 - 6.23 Host A Terminates Connected Isochronous Stream 3010
 - 6.24 ACL disconnected..... 3012
 - 6.25 Host A Removes Connected Isochronous Group 3013



- 6.26 Request Sleep Clock Accuracy 3015
- 6.27 Power Control 3015
- 6.28 Data path setup for a music stream over a CIS 3022
- 6.29 Data path setup for bi-directional voice over a CIS 3024
- 6.30 [This section is no longer used] 3026
- 6.31 Modifying the subrate of a connection 3026
- 6.32 Channel Classification Enable 3027
- 6.33 Channel Classification Reporting 3028
- 7 Periodic advertising sync transfer 3029**
 - 7.1 Transfer by scanner, reports initially disabled 3029
 - 7.2 Transfer by scanner, reports initially enabled 3030
 - 7.3 Transfer by the advertiser 3031
- 8 Synchronization state 3032**
 - 8.1 Synchronizing with a Broadcast Isochronous Group 3032
 - 8.2 Terminate Synchronization with a BIG 3033
 - 8.3 New Channel Map for Broadcast Isochronous Group 3033
 - 8.4 Lost Synchronization with a Broadcast Isochronous Group .. 3034
 - 8.5 Data path setup for a BIS 3035



1 INTRODUCTION

This section shows typical interactions between Host Controller interface (HCI) commands and events and the Link Layer (LL). It focuses on the message sequence charts (MSCs) for the procedures specified in “Bluetooth Host Controller Interface Functional Specification” with regard to Link Layer control procedures from “Link Layer”. This section illustrates only the most useful scenarios; it does not cover all possible alternatives. Furthermore, the message sequence charts do not consider errors over the air interface or Host interface. In all message sequence charts it is assumed that all events are not masked, so the Controller will not filter out any events.

The sequence of messages in these message sequence charts is for illustrative purposes. The messages may be sent in a different order where allowed by the Link Layer or HCI. If any of these charts differ with text in the Link Layer or HCI Parts, the text in those Parts overrides these charts.

1.1 NOTATION

The notation used in the message sequence charts (MSCs) consists of ovals, elongated hexagons, boxes, lines, and arrows. The vertical lines terminated on the top by a shadow box and at the bottom by solid oval indicate a protocol entity that resides in a device. MSCs describe interactions between these entities and states those entities may be in.

The following symbols represent interactions and states:

Oval	Defines the context for the message sequence chart
Hexagon	Indicates a condition needed to start the transactions below this hexagon. The location and width of the Hexagon indicates which entity or entities make this decision.
Box	Replaces a group of transactions. May indicate a user action, or a procedure in the Link Layer.
Dashed Box	Optional group of transactions.
Solid Arrow	Represents a message, signal or transaction. Can be used to show Link Layer and HCI traffic.
Dashed Arrow	Represents an optional message, signal or transaction. Can be used to show Link Layer and HCI traffic.

1.2 CONTROL FLOW

Some message sequences are split into several charts. In these charts, numbers indicate normal or required ordering and letters represent alternative paths. For example, Step 4 is after Step 3, and Step 5a could be executed instead of Step 5b.



1.3 EXAMPLE MSC

The protocol entities represented in the example shown in [Figure 1.1](#) illustrate the interactions of two devices named A and B; each device includes a Host and a LL entity in this example. Other MSCs in this section may show the interactions of more than two devices.

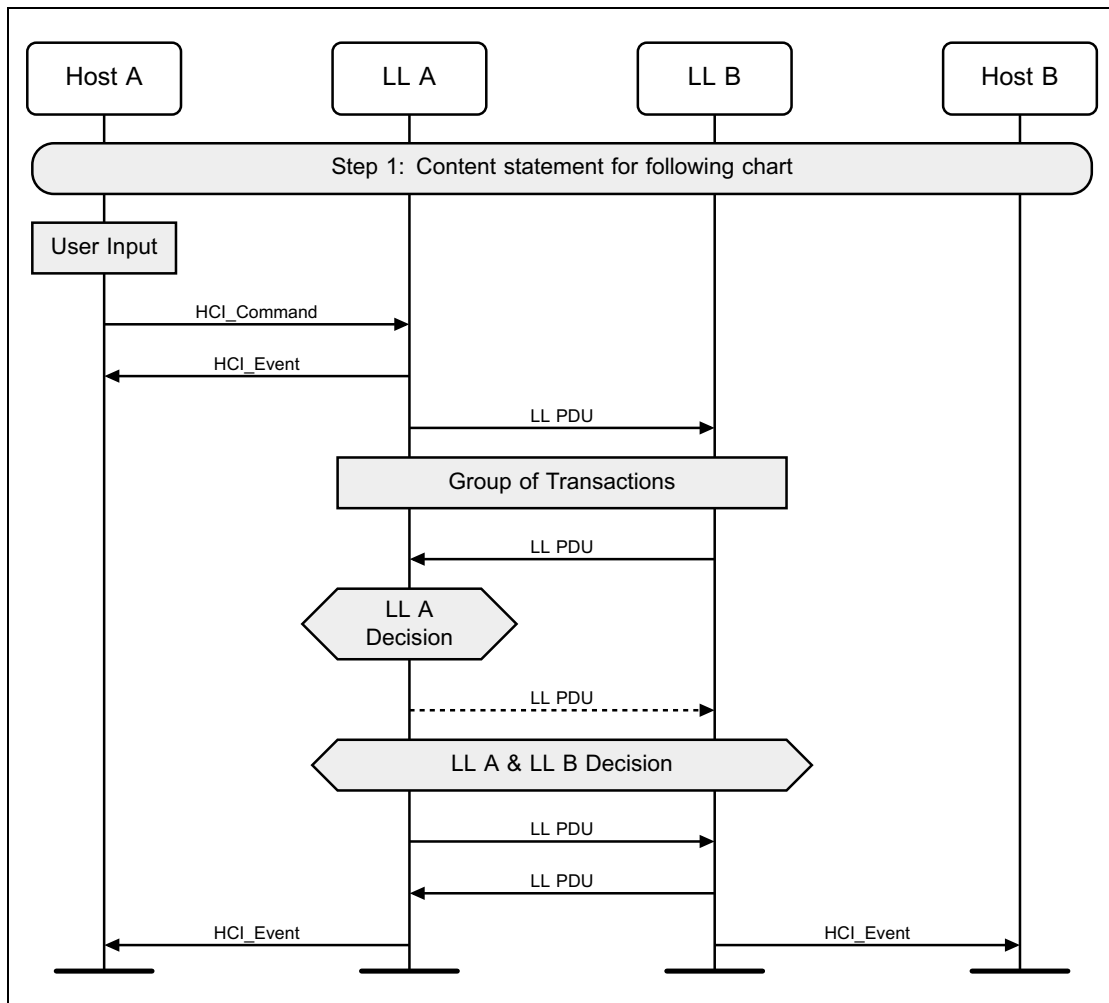


Figure 1.1: Example MSC

1.4 FORWARD COMPATIBILITY

Many of the message sequences in this Part use HCI commands or events that have enhanced or extended variants that were added to the specification later than the relevant sequence. Such variants can be related commands or events with different names (e.g., HCI_LE_Advertising_Report and HCI_LE_Extended_Advertising_Report events) or commands or events with multiple versions (e.g., HCI_LE_Generate_DHKey command). In some instances (for example, see [\[Vol 4\] Part E, Section 3.1.1](#)), a Host is required to use the new variant rather than the one shown in the MSC. Even when this is not a requirement, Host implementers may prefer to use the newer variants.

Message Sequence Charts

In these circumstances, the MSCs have not been rewritten to use newer features but have been left unchanged. In general, the new commands and events will directly replace the old ones, but this is not always the case and readers should not assume it.



2 STANDBY STATE

2.1 INITIAL SETUP

To perform initial setup of a LE Controller, the following sequence of actions may be required.

First, the Host would wait for the Controller to indicate the number of HCI Command packets the Host is currently allowed to send using a Command Complete event on a No OPeration command opcode. Then it would reset the Controller to a known state. Then it needs to read the local supported features to check that low energy is supported on this Controller. It would then set the event mask and LE event mask to enable the events that it wants the Controller to generate to the Host. Next, it will check the buffers that are available for data flow, using the Read Buffer Size and LE Read Buffer Size commands. Then it



would read the locally supported LE features and select the features that it wishes to use. Finally, it will read the public device address if the Controller has one (see [Figure 2.1](#)).

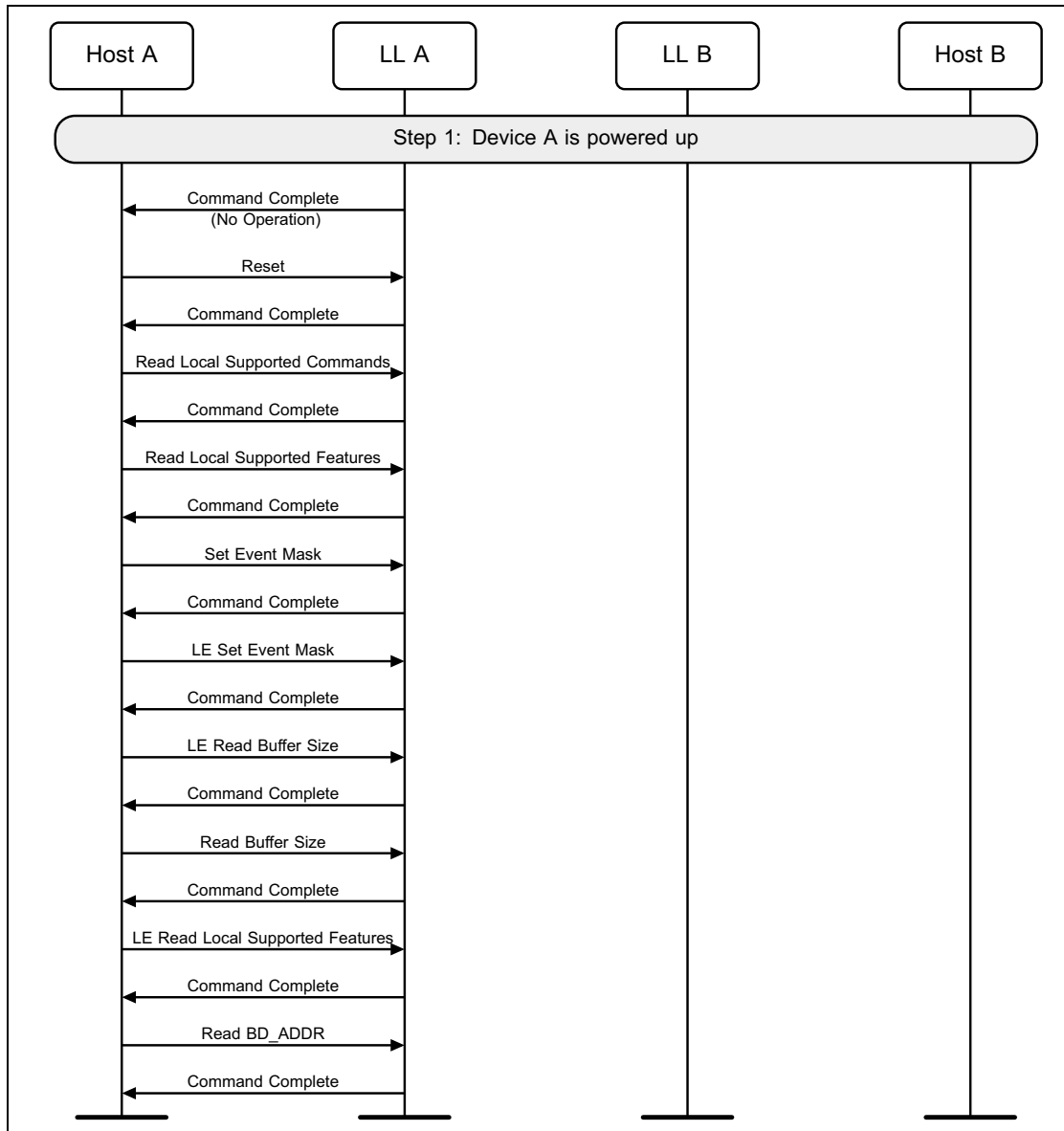


Figure 2.1: Initial setup



2.2 RANDOM DEVICE ADDRESS

A device may use a random device address, but this address has to be configured before being used during advertising, scanning or initiating (see [Figure 2.2](#)).

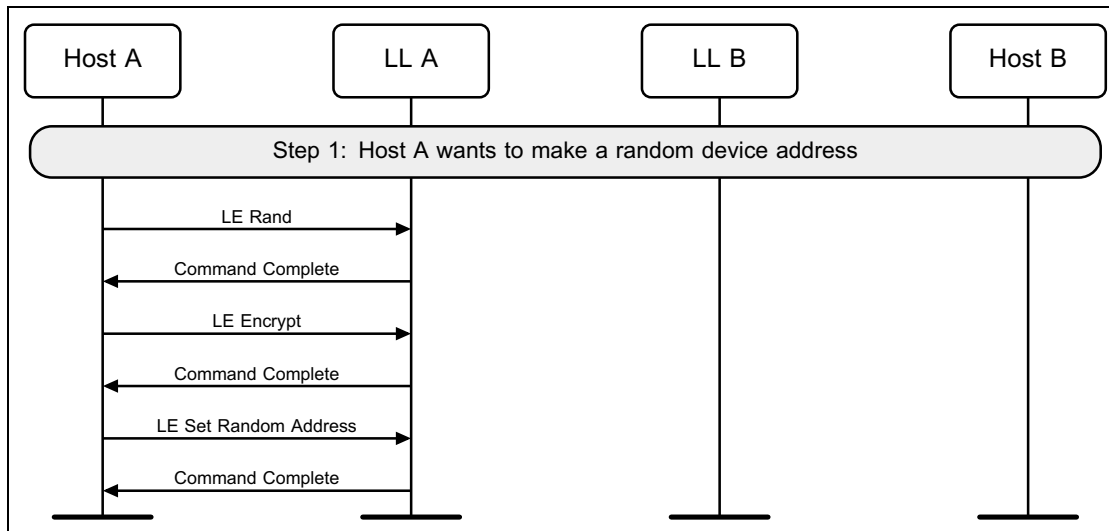


Figure 2.2: Random device address

2.3 FILTER ACCEPT LIST

Before advertising, scanning or initiating can use a Filter Accept List, the Filter Accept List may be cleared and devices added in as required (see [Figure 2.3](#)).

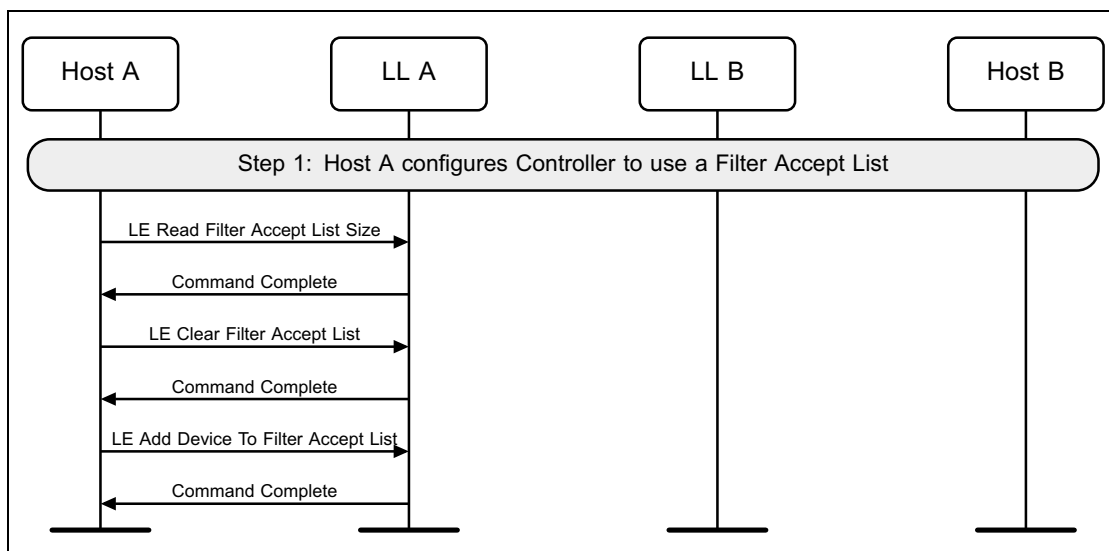


Figure 2.3: Filter Accept List



2.4 ADDING IRK TO RESOLVING LIST

Before advertising, scanning or initiating can use resolving lists, the resolving list may be cleared and devices added in as required (see [Figure 2.4](#)).

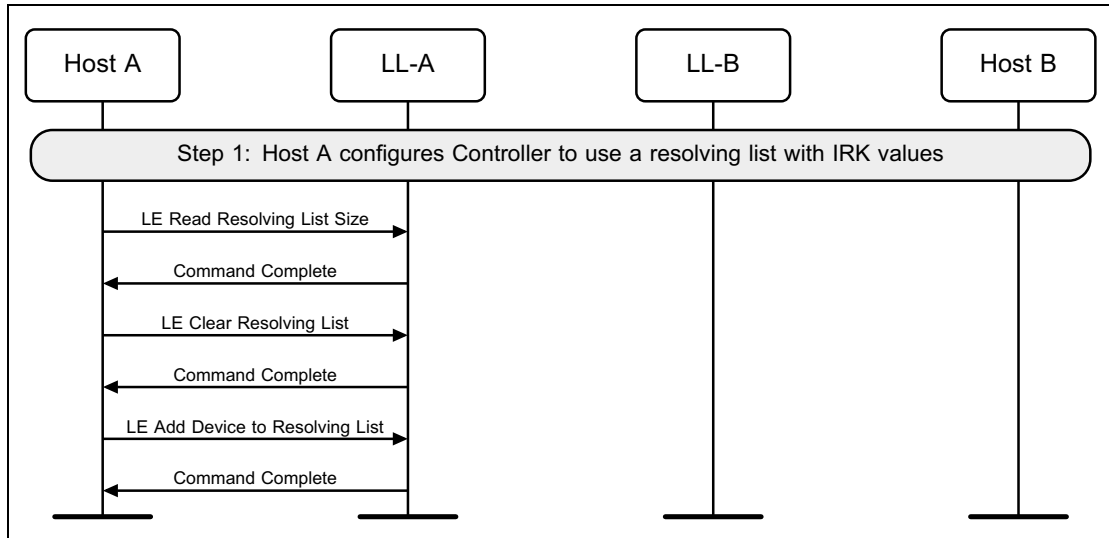


Figure 2.4: Resolving lists

2.5 DEFAULT DATA LENGTH

Before creating a connection, the Host may specify its preferred values for the Controller’s maximum transmission packet size and maximum packet transmission time to be used for new connections. This may be done on either the Central or the Peripheral.

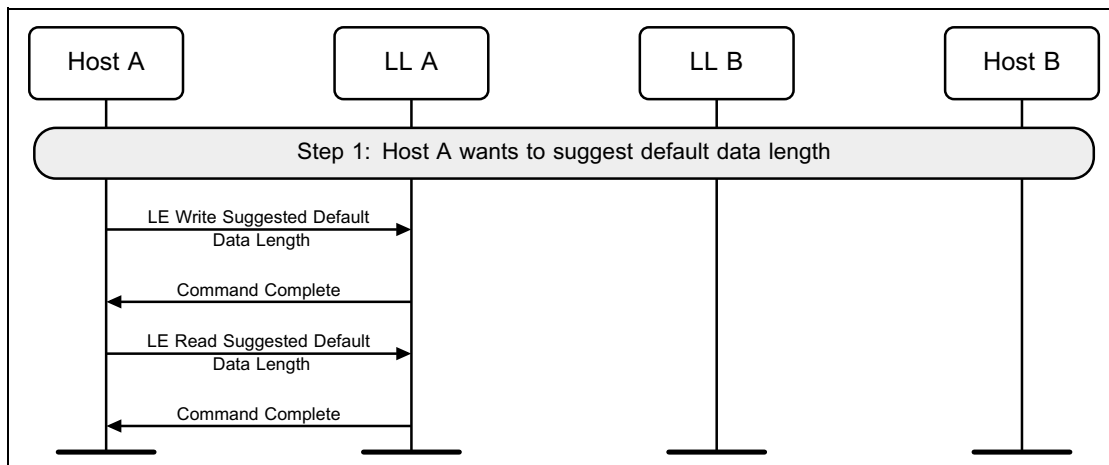


Figure 2.5: Default data length



2.6 PERIODIC ADVERTISER LIST

The Periodic Advertiser List may be cleared and entries added as required, before it is made use of (see [Figure 2.6](#)).

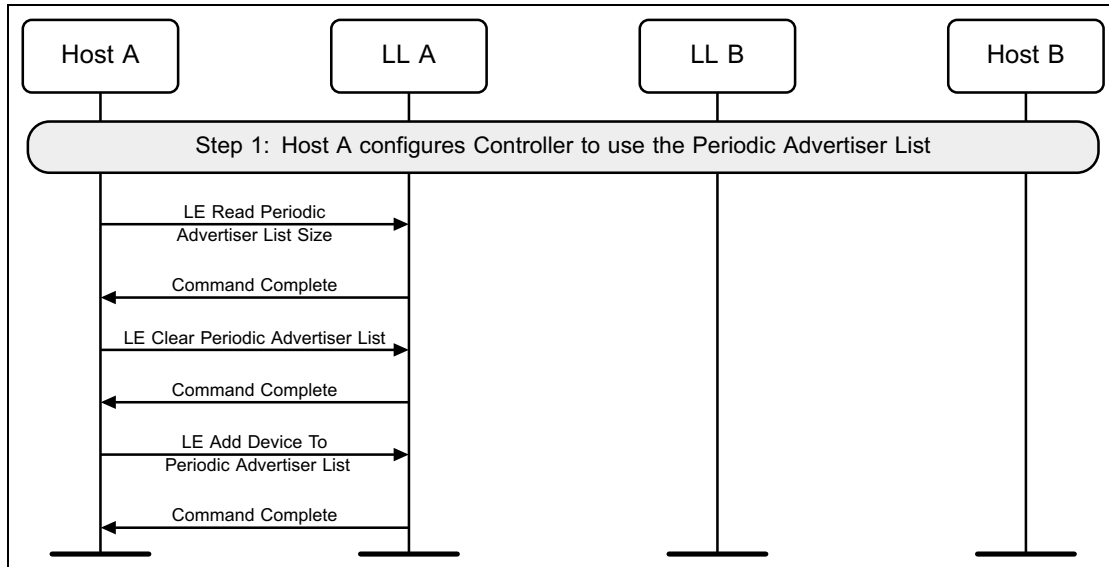


Figure 2.6: Periodic Advertiser List



3 ADVERTISING STATE

3.1 UNDIRECTED ADVERTISING

A device may enter the Advertising state by enabling advertising. It should also configure the advertising parameters before doing this (see [Figure 3.1](#)).

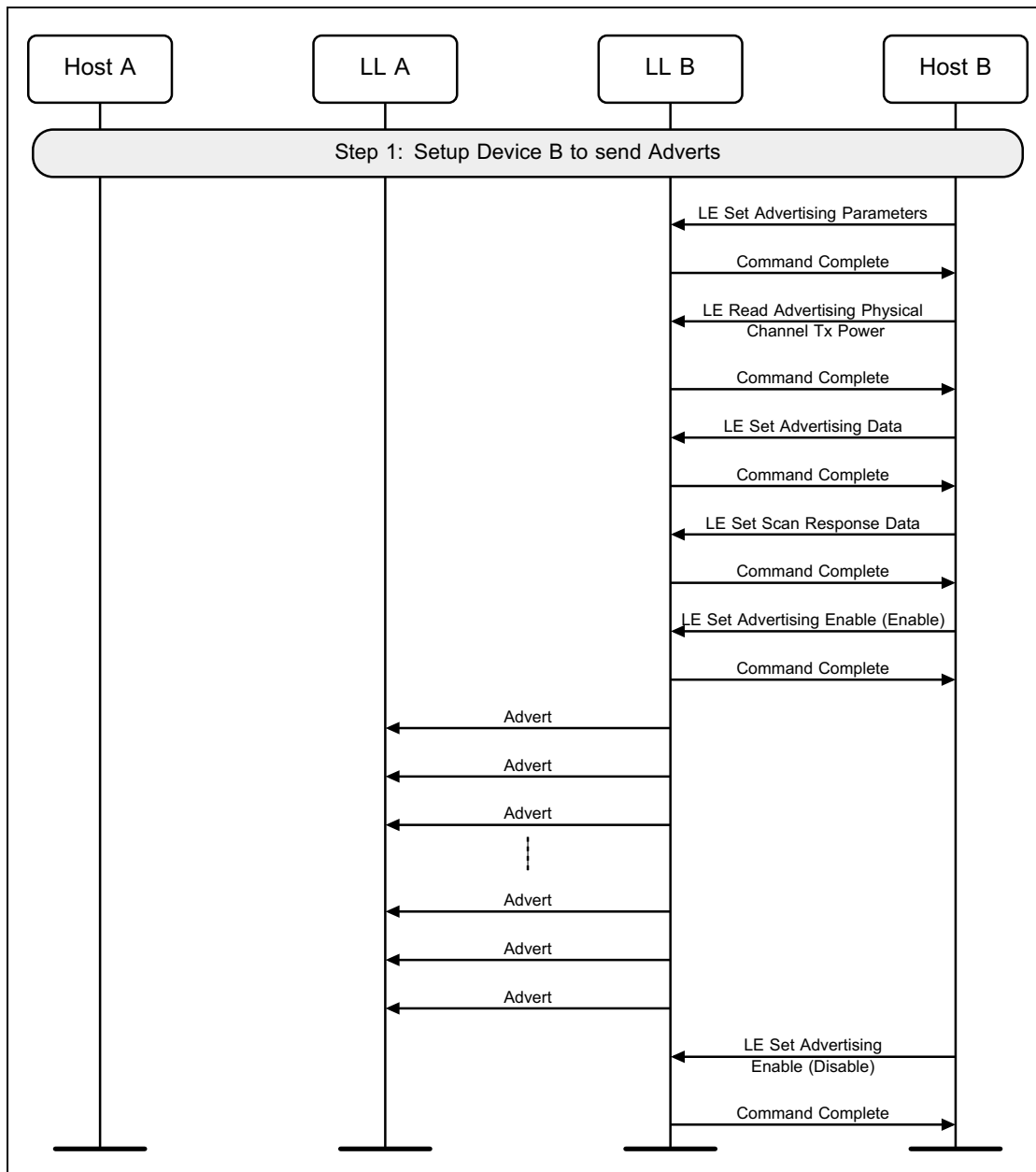


Figure 3.1: Undirected advertising



3.2 DIRECTED ADVERTISING

A device may use directed advertising to allow an initiator to connect to it. High duty cycle directed advertising is time limited in the Controller and therefore this may fail before a connection is created. This example only shows the failure case (see [Figure 3.2](#)).

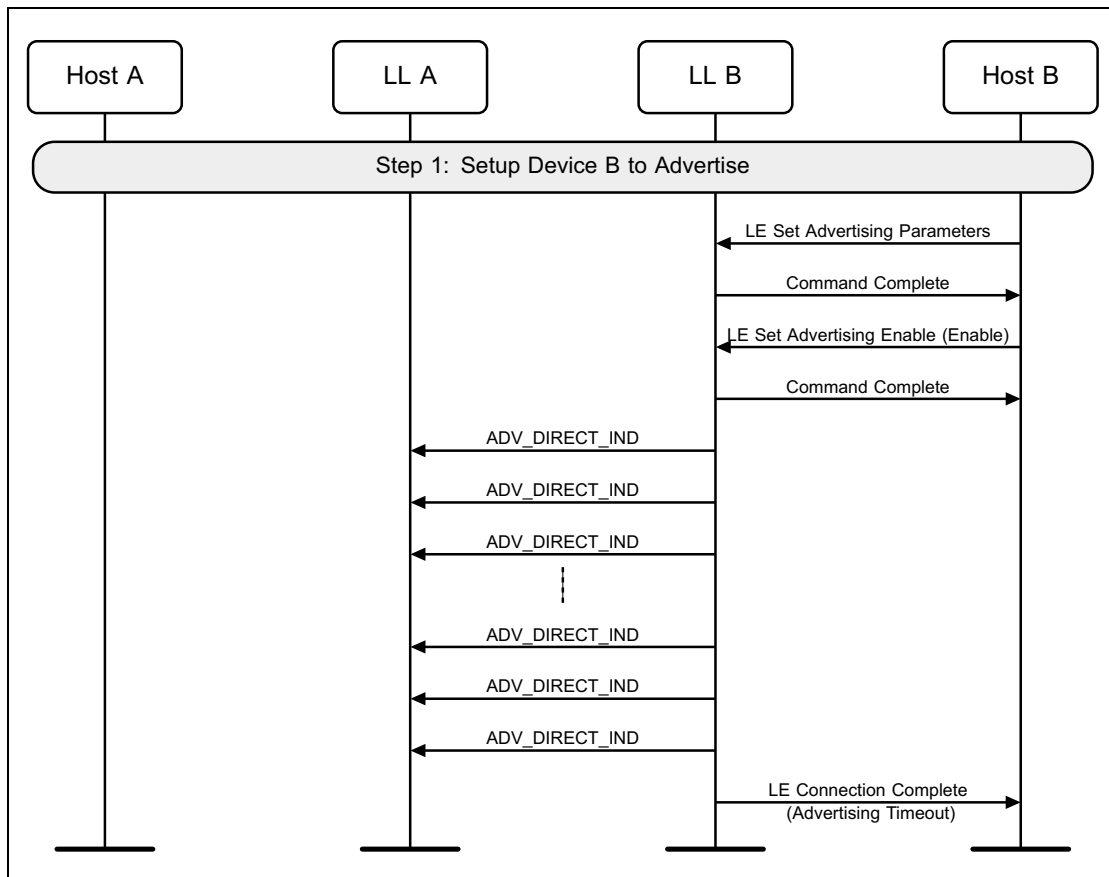


Figure 3.2: High duty cycle directed advertising showing failure case



Low duty cycle directed advertising is not time-limited. This example shows the case where no connection is made. A device should also configure the advertising parameters before doing this (see [Figure 3.3](#)).

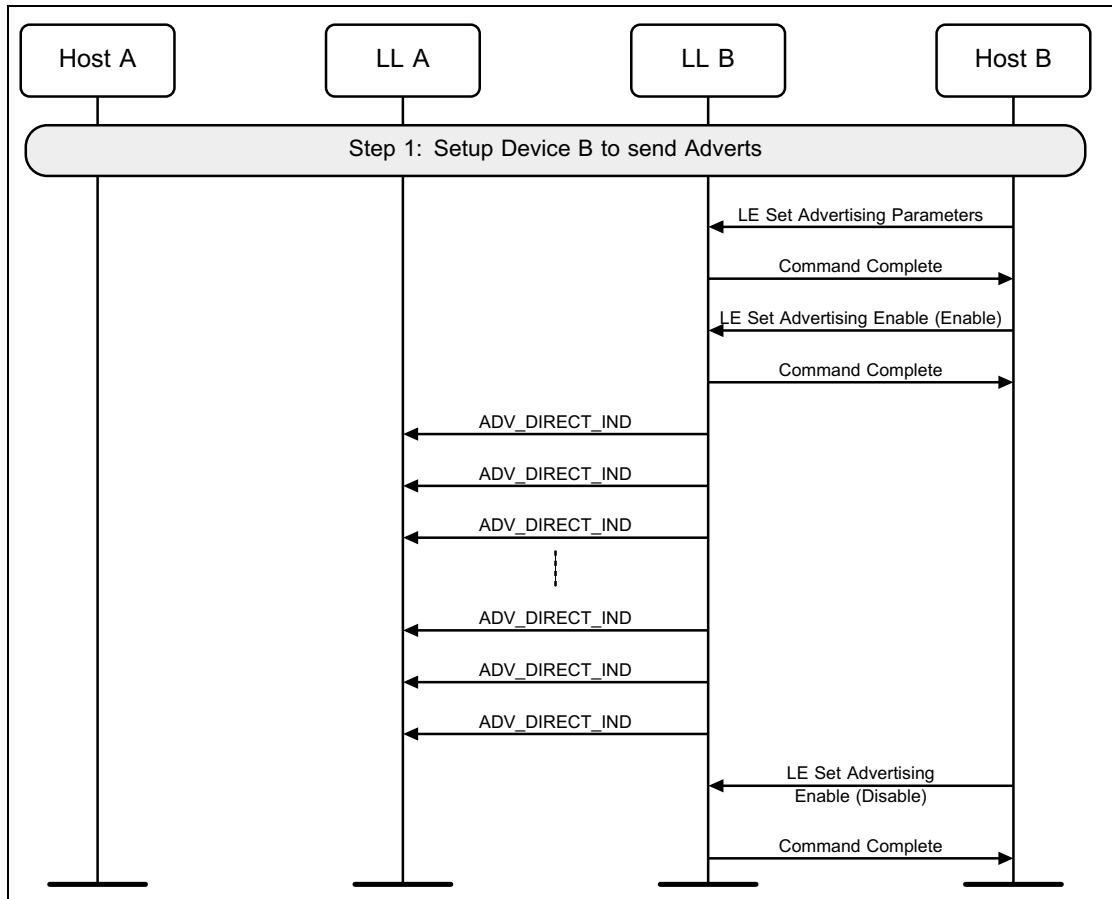


Figure 3.3: Low duty cycle directed advertising



3.3 ADVERTISING USING ADV_EXT_IND

A device may enter the Advertising state by enabling advertising a set. It should also configure the advertising set parameters before doing this (see [Figure 3.4](#)).

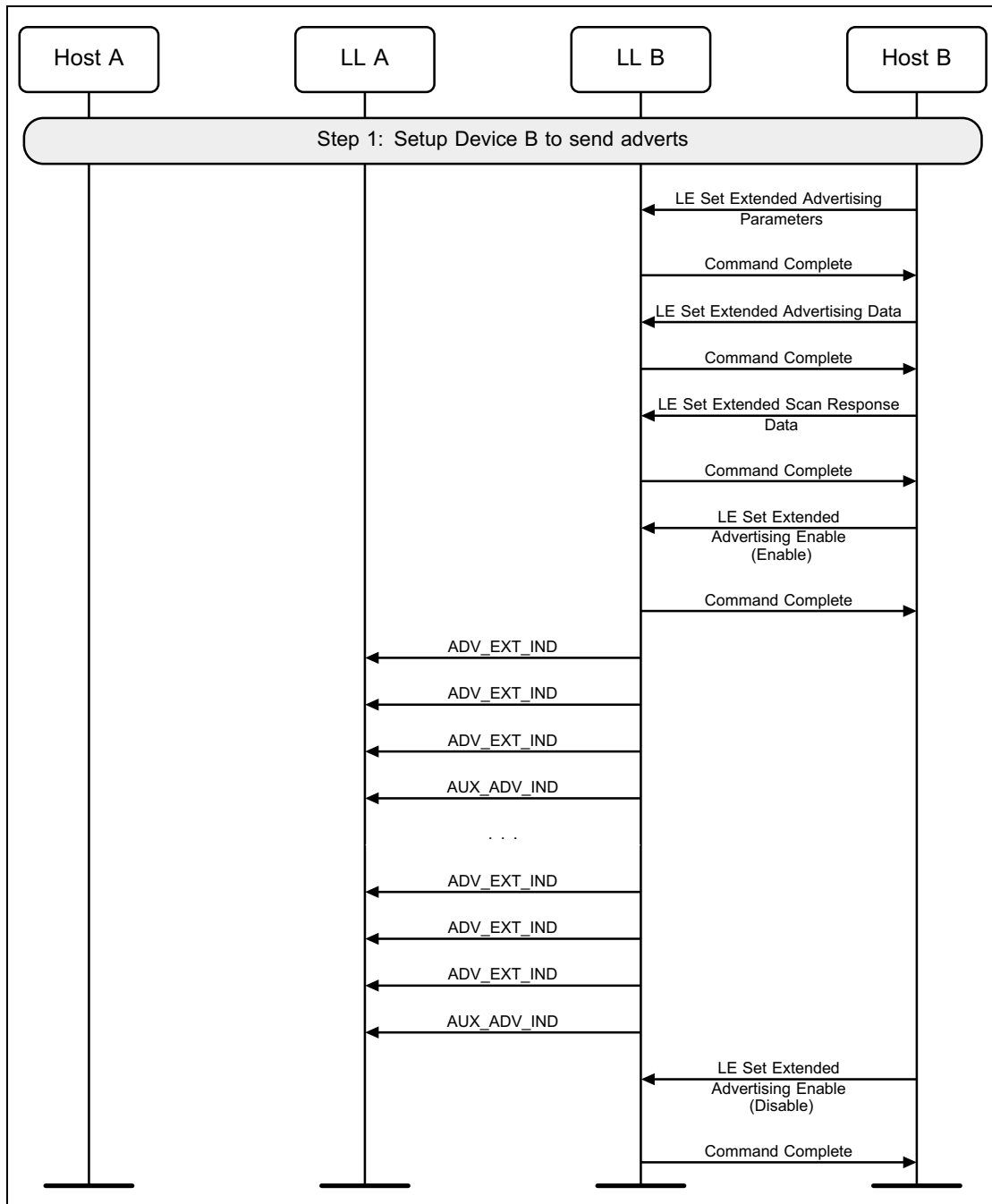


Figure 3.4: Advertising using ADV_EXT_IND



3.4 SCAN REQUEST NOTIFICATIONS

A device may enable scan request notifications in an advertising set (see [Figure 3.5](#)).

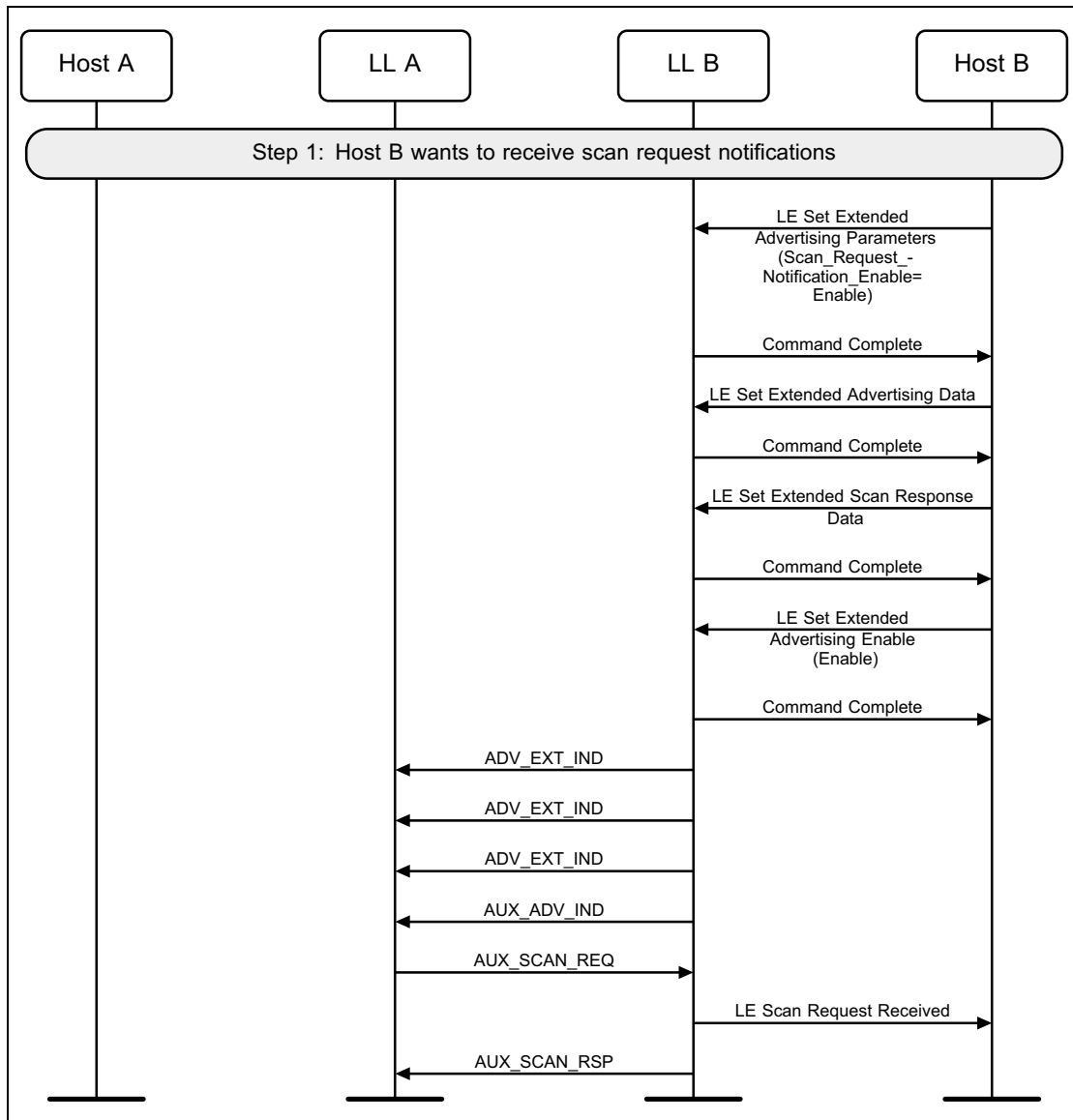


Figure 3.5: Scan request notifications



3.5 ADVERTISING DURATION ENDED

A device may enter the Advertising State by enabling advertising a set for a limited duration of time (see [Figure 3.6](#)).

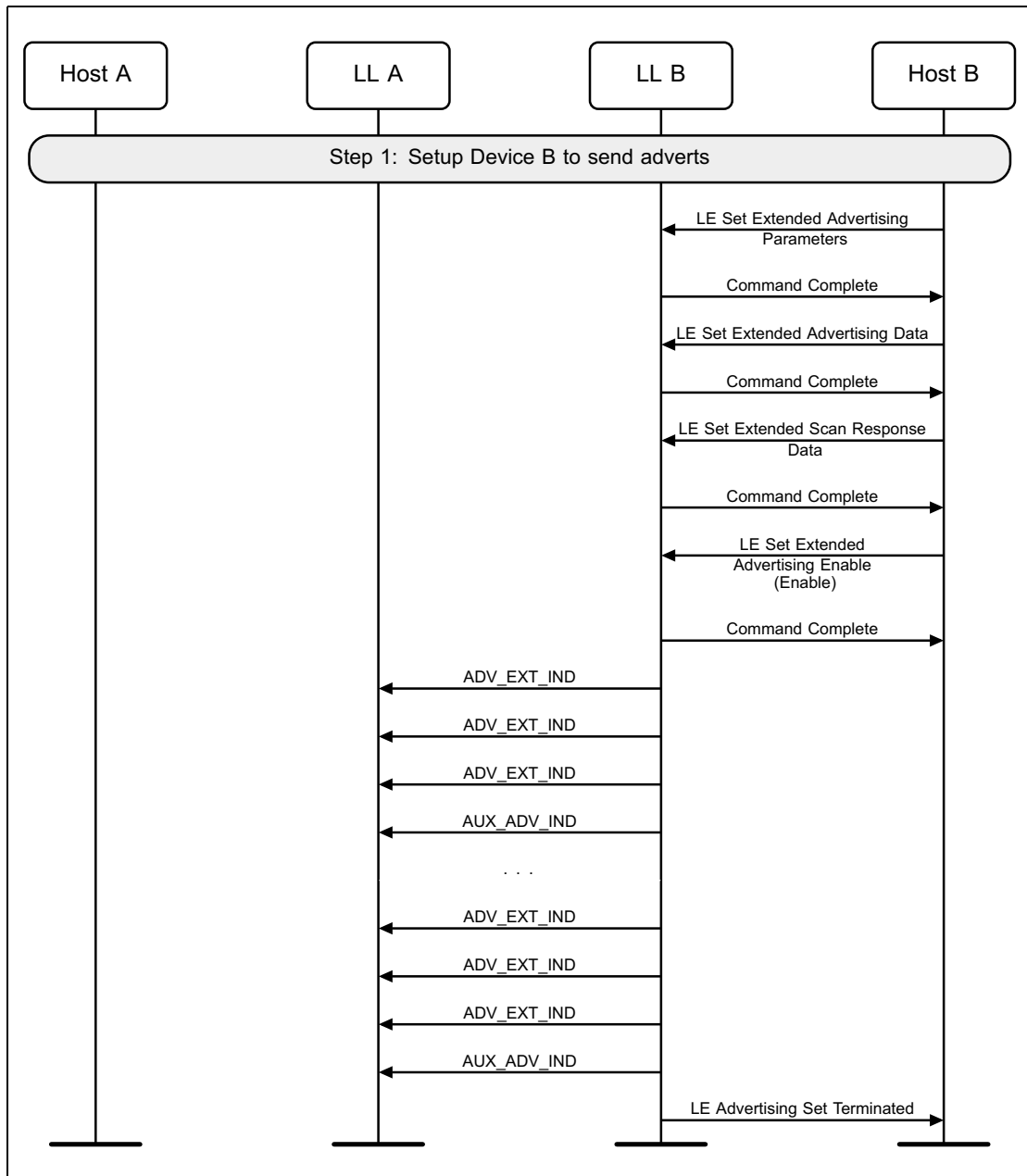


Figure 3.6: Advertising duration ended



3.6 PERIODIC ADVERTISING

A device may enter the Advertising State by enabling periodic advertising in a set. It should also configure the advertising set parameters before doing this (see [Figure 3.7](#)).

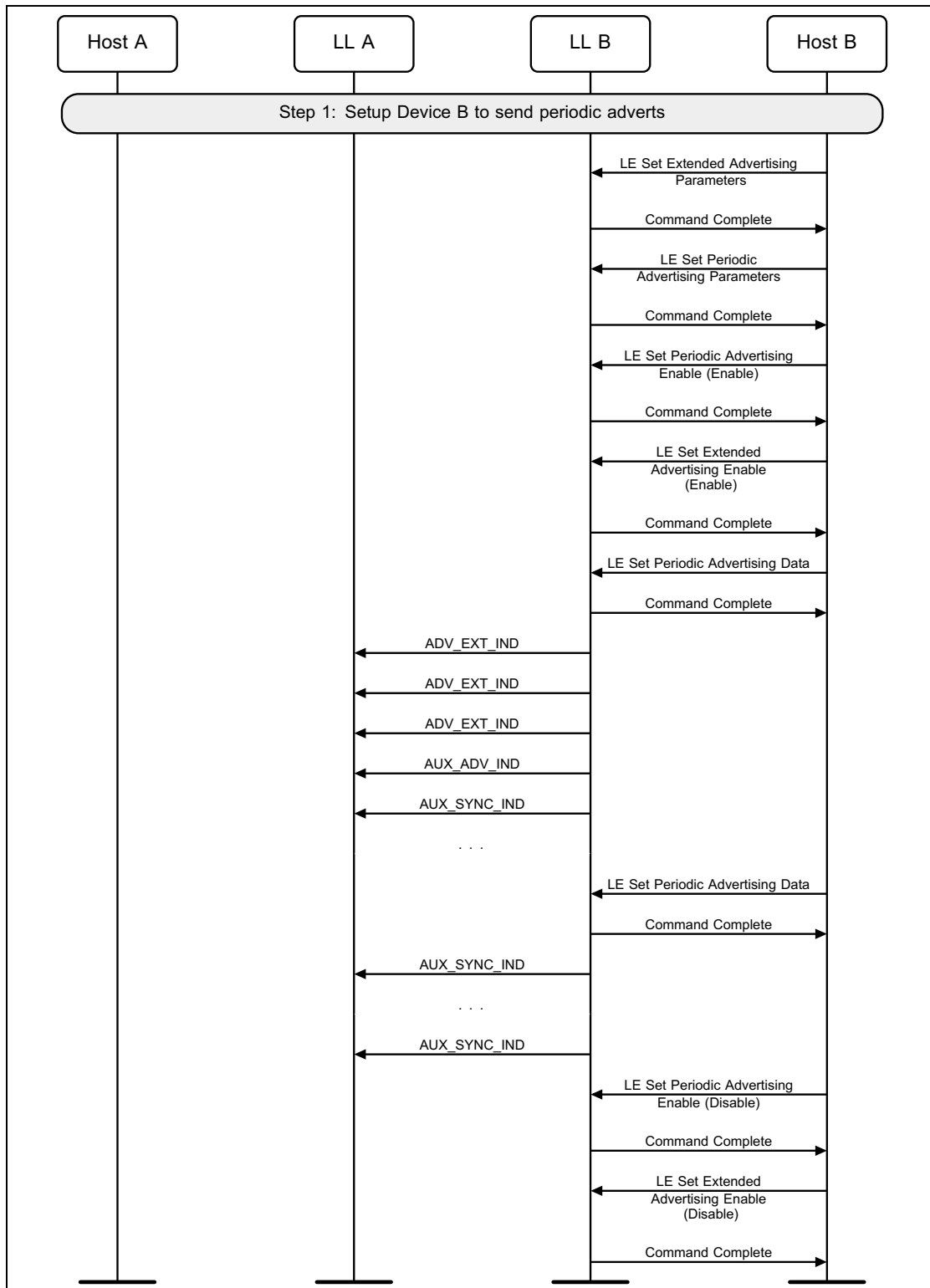


Figure 3.7: Periodic advertising



3.7 CONNECTIONLESS CONSTANT TONE EXTENSION TRANSMISSION

A device may send periodic advertising packets containing a Constant Tone Extension (see [Figure 3.8](#)).

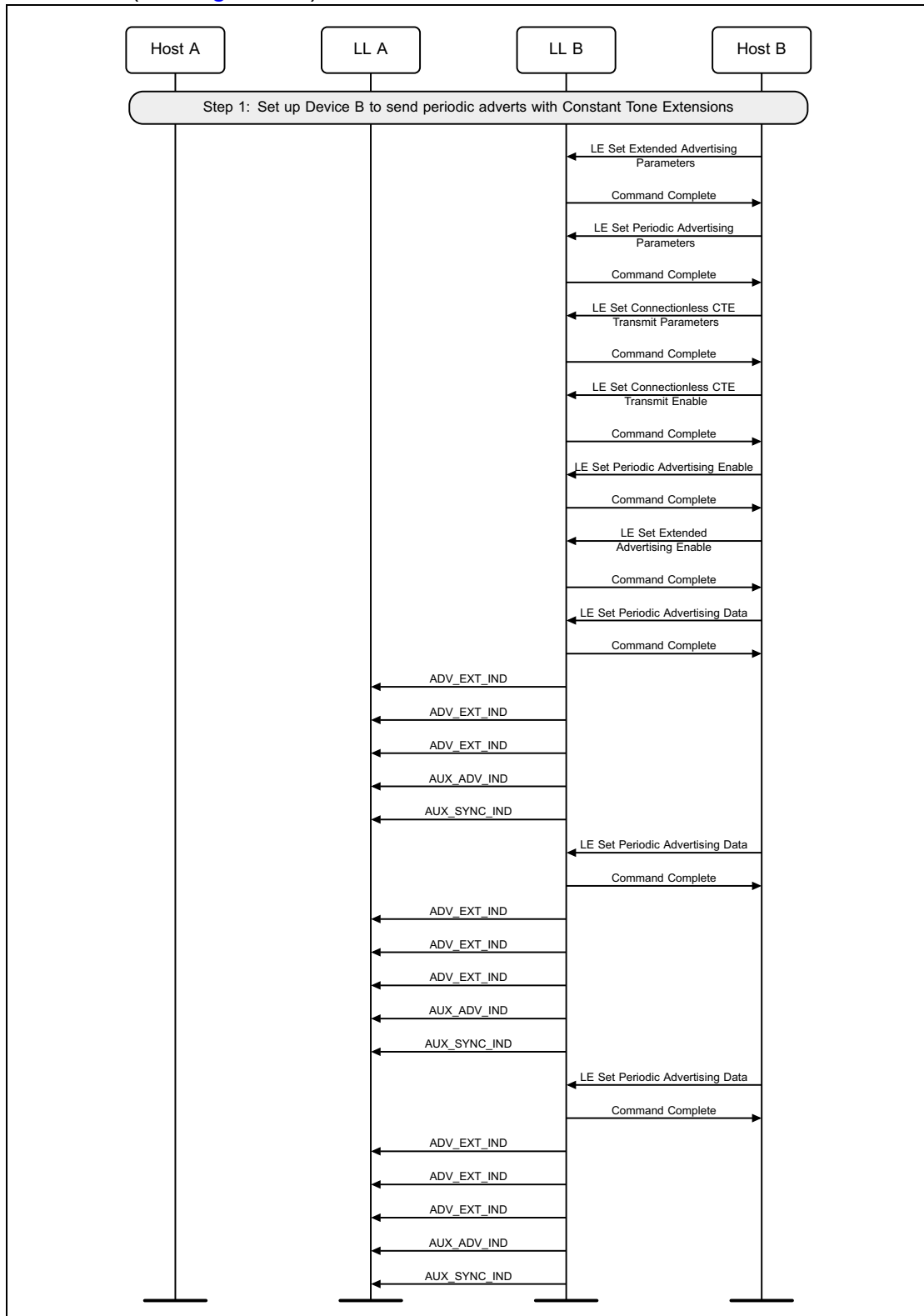


Figure 3.8: Connectionless CTE transmission



3.8 ISOCHRONOUS BROADCASTING STATE

3.8.1 Create a Broadcast Isochronous Group

A device enters the Isochronous Broadcasting State and enables the periodic advertising associated with the BIG. The device then creates the BIG and sends isochronous data using the isochronous data paths (see [Figure 3.9](#)).

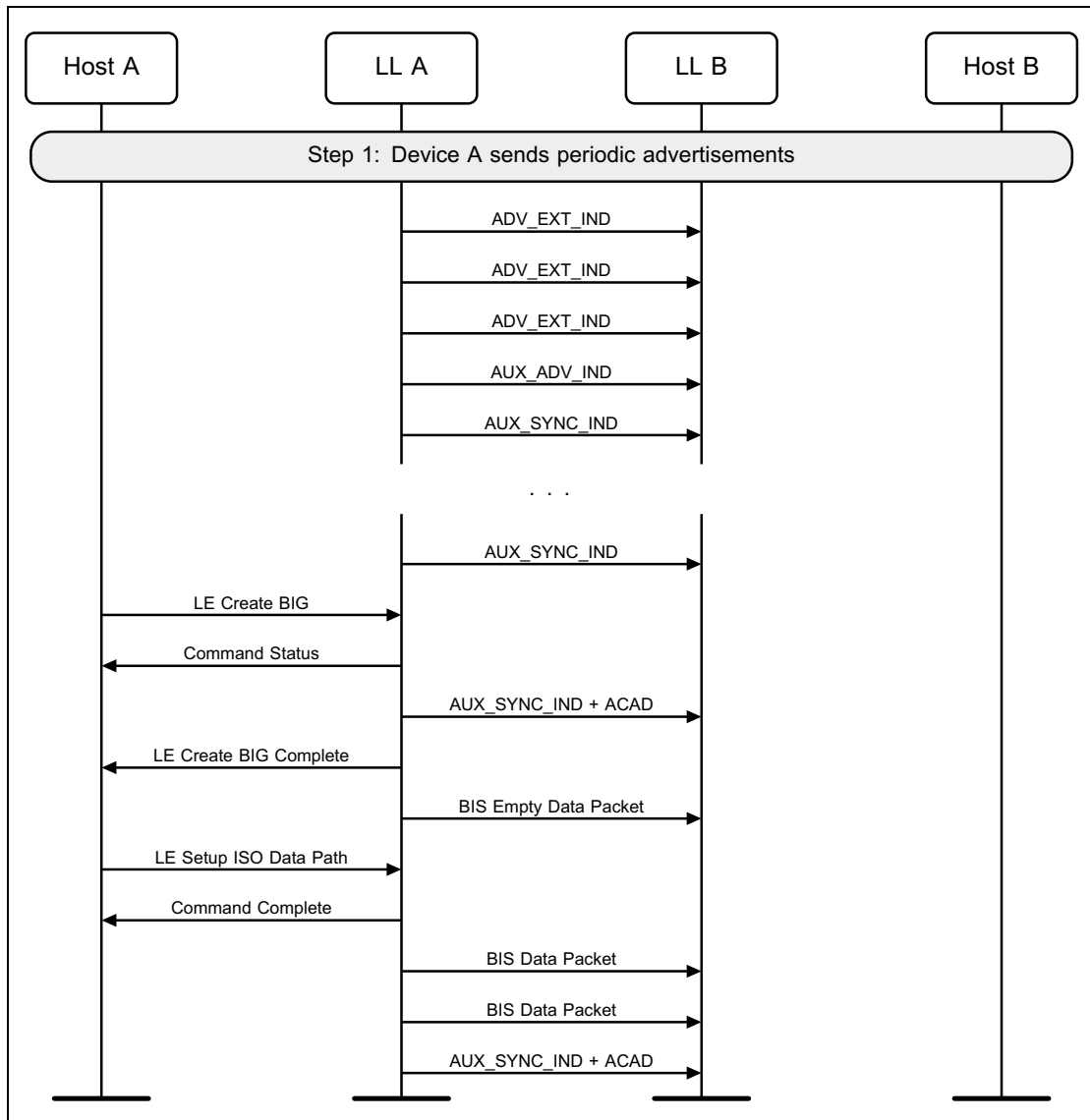


Figure 3.9: Device A creates a BIG



3.8.2 Terminate a Broadcast Isochronous Group

A device terminates a BIG (see [Figure 3.10](#)).

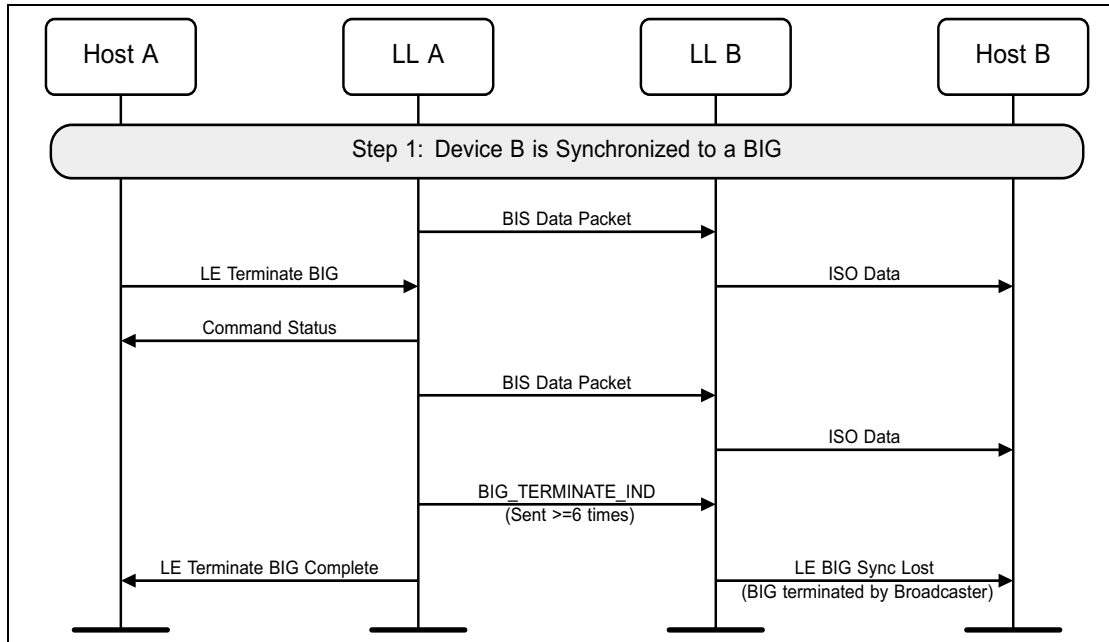


Figure 3.10: Device A terminates a BIG

3.9 PERIODIC ADVERTISING WITH RESPONSES (PAWR)

A device may enter the Advertising state by enabling PAwR in a set. The device should configure the advertising set parameters before doing this (see [Figure 3.11](#)).

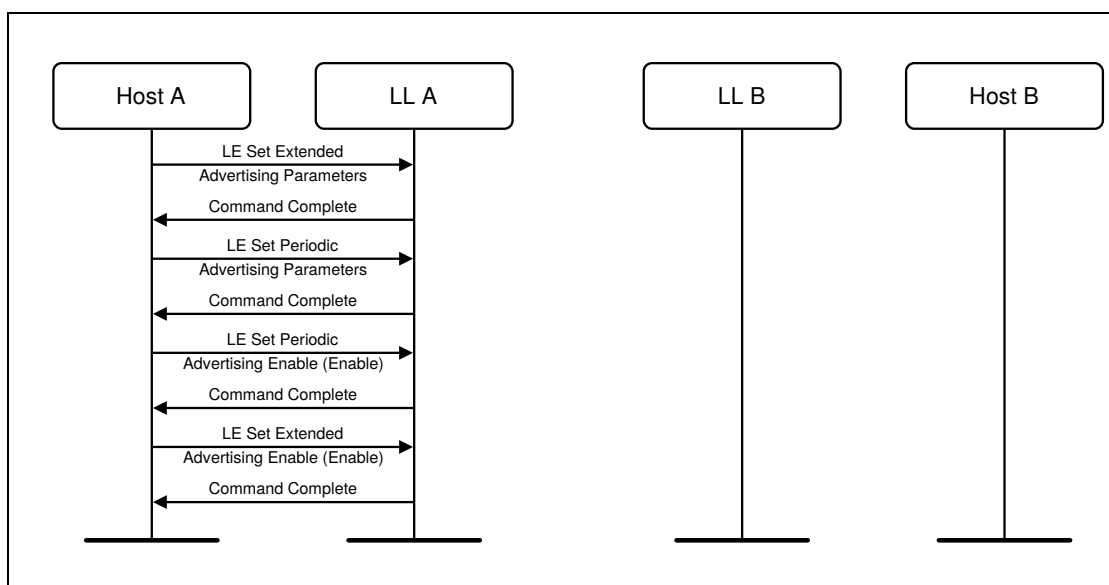


Figure 3.11: Configuring PAwR



3.10 TRANSMITTING PAWR SUBEVENTS

A Controller may request data to be sent in one or more subevents of a PAwR advertising set. The Host can send this data to the Controller ahead of when the subevents are scheduled.

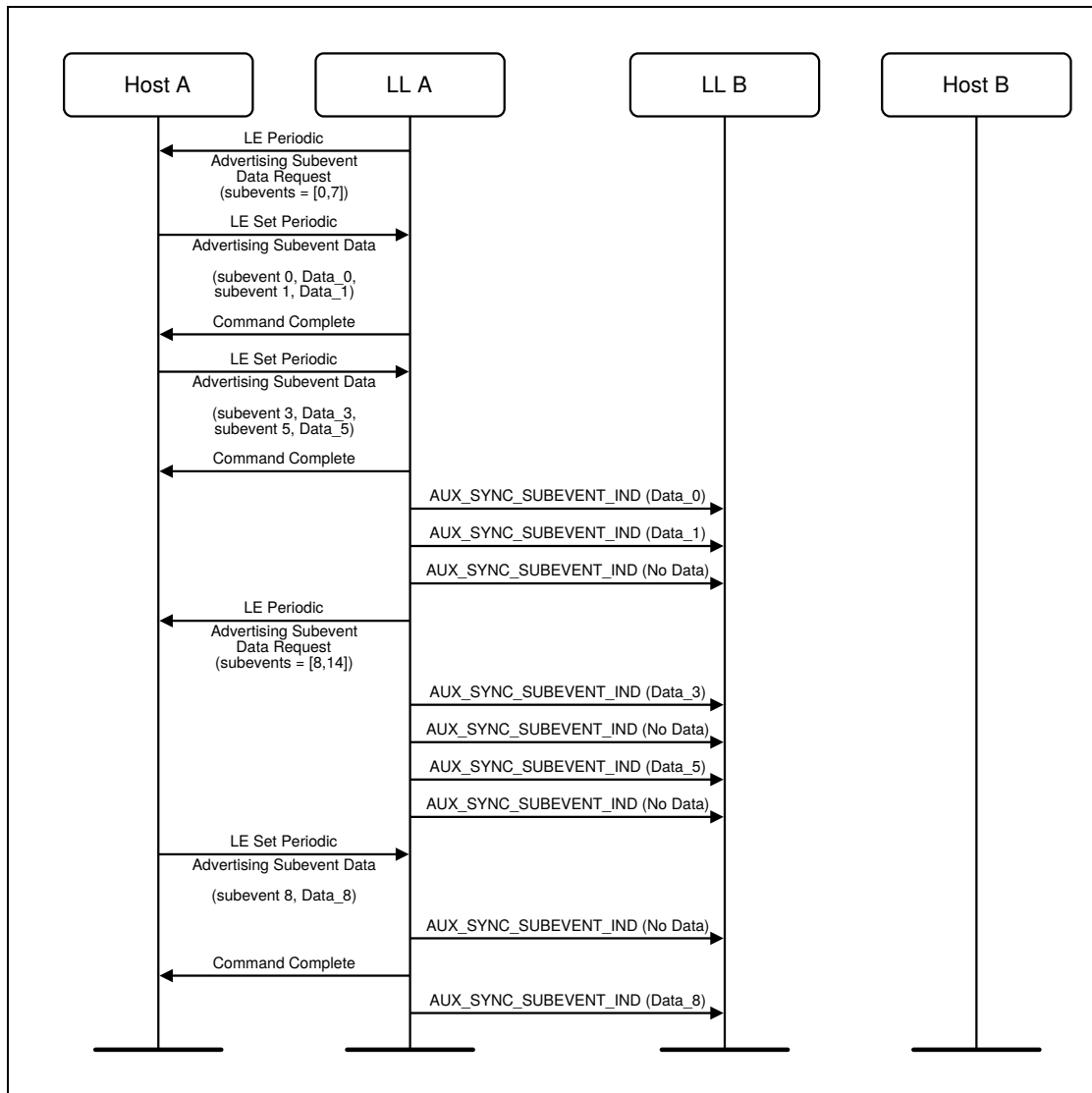


Figure 3.12: Transmitting PAWR subevents



3.11 USING A RESPONSE SLOT IN PAWR

A device can send a response to a PAwR advertisement packet. The timing of the response is determined by the Host using information from the advertisement packet. The Host can send a response by indicating the response slot and data to be sent in that response slot.

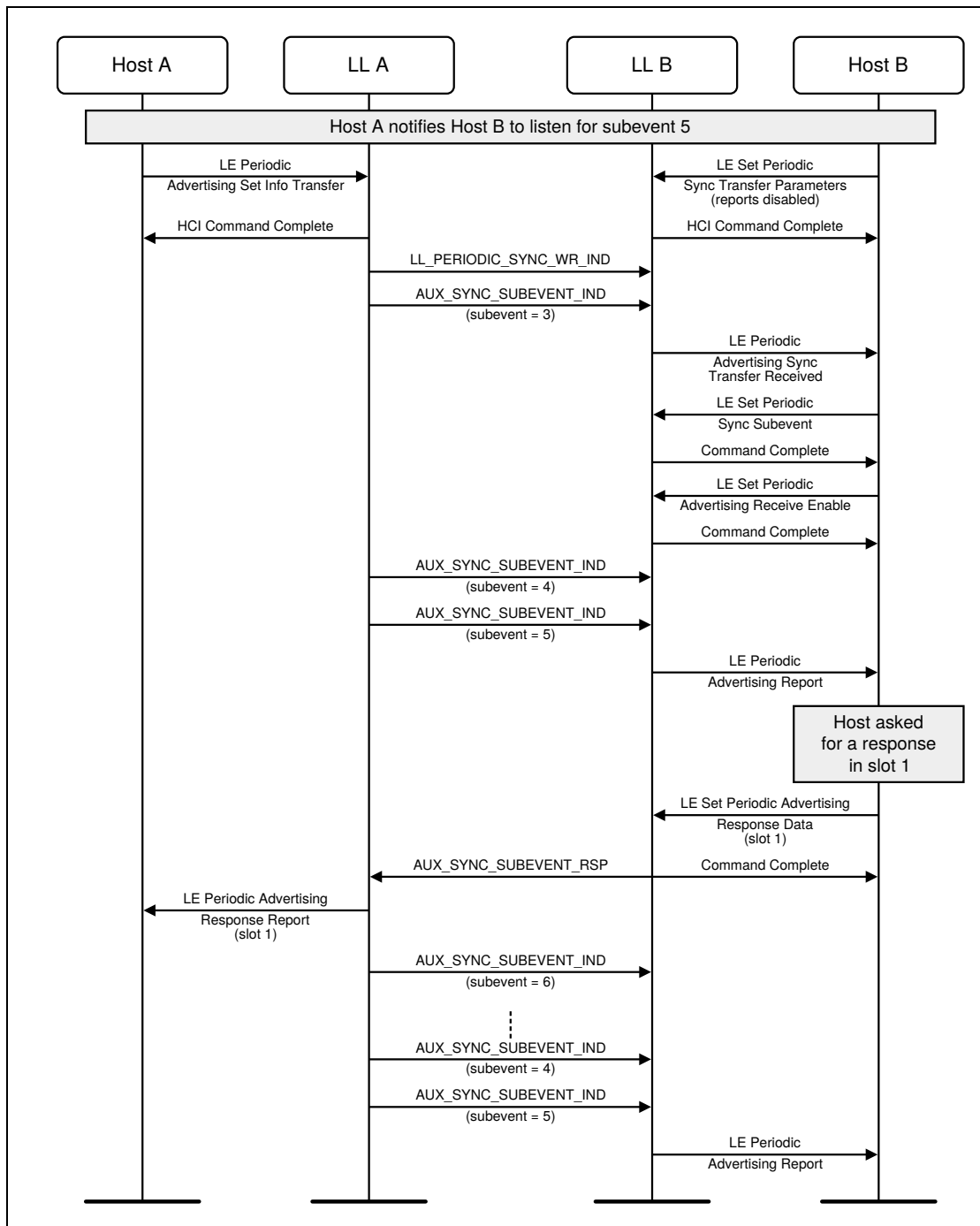


Figure 3.13: Using a response slot in PAwR



3.12 CONNECTING FROM PAWR

A device may initiate a connection with a synchronized device by using the LE Extended Create Connection command which indicates the subevent and BD_ADDR of the peer device. This initiates a connection by sending an AUX_CONNECT_REQ PDU in that subevent.

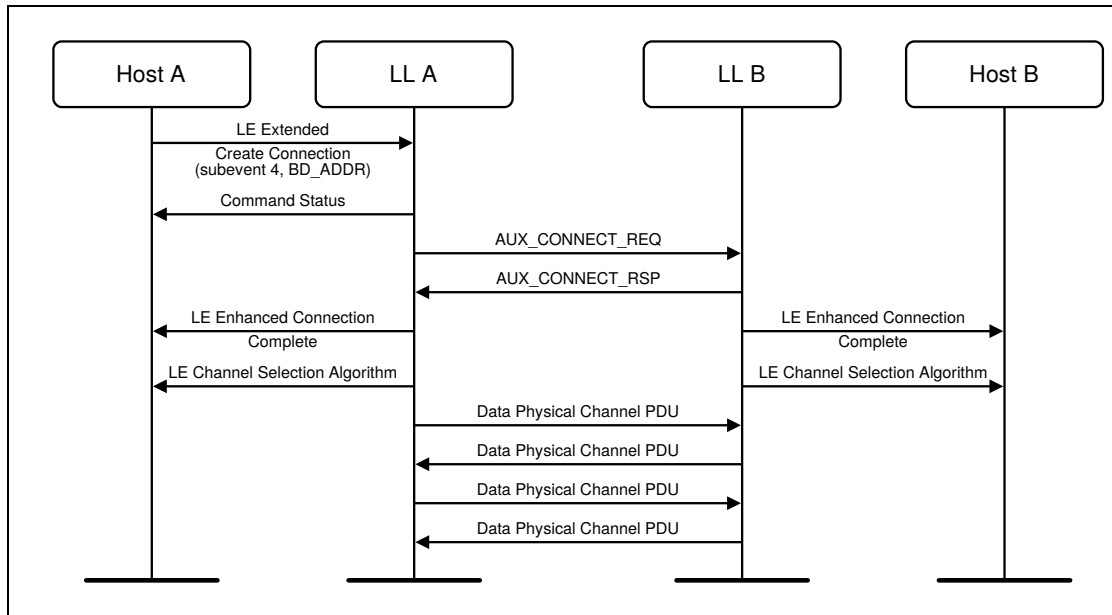


Figure 3.14: Connecting from PAwR

3.13 FAILED CONNECTION ATTEMPTS FROM PAWR

A synchronized device can miss an AUX_CONNECT_REQ PDU sent by the periodic advertiser.

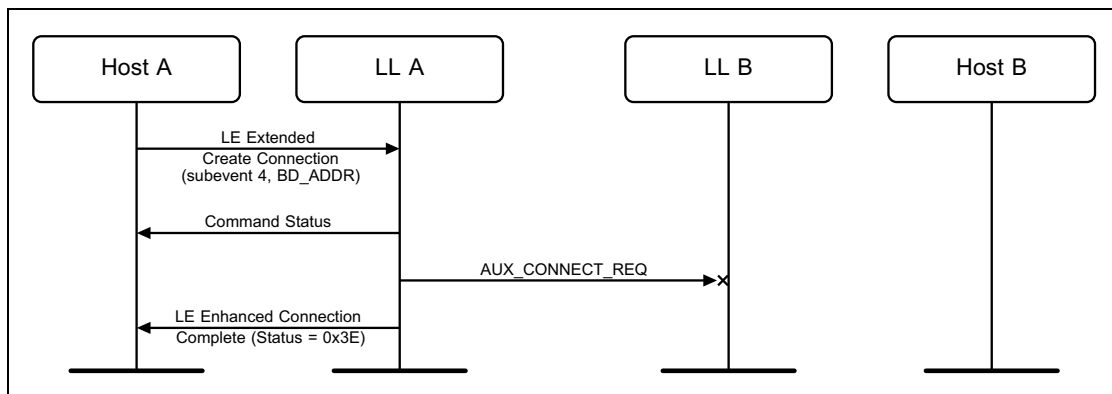


Figure 3.15: Synchronized device misses the AUX_CONNECT_REQ PDU



The periodic advertiser can miss an AUX_CONNECT_RSP PDU sent by a synchronized device.

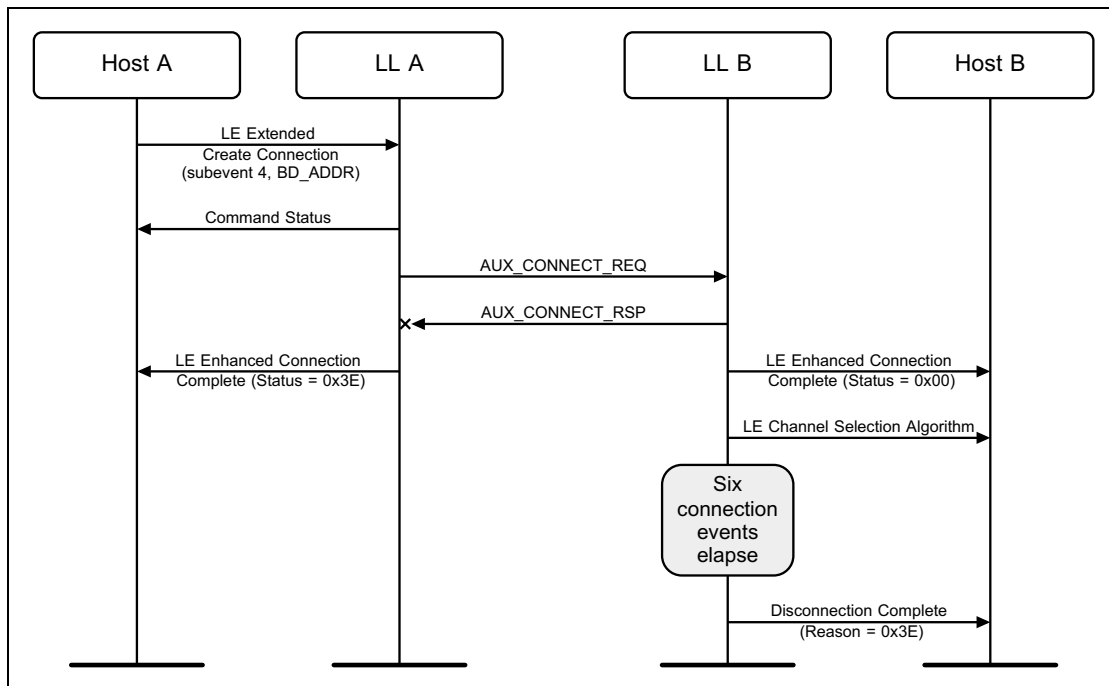


Figure 3.16: Periodic advertiser misses the AUX_CONNECT_RSP PDU



4 SCANNING STATE

4.1 PASSIVE SCANNING

A device can use passive scanning to find advertising devices in the area. This would receive advertising packets from peer devices and report these to the Host (see [Figure 4.1](#)).

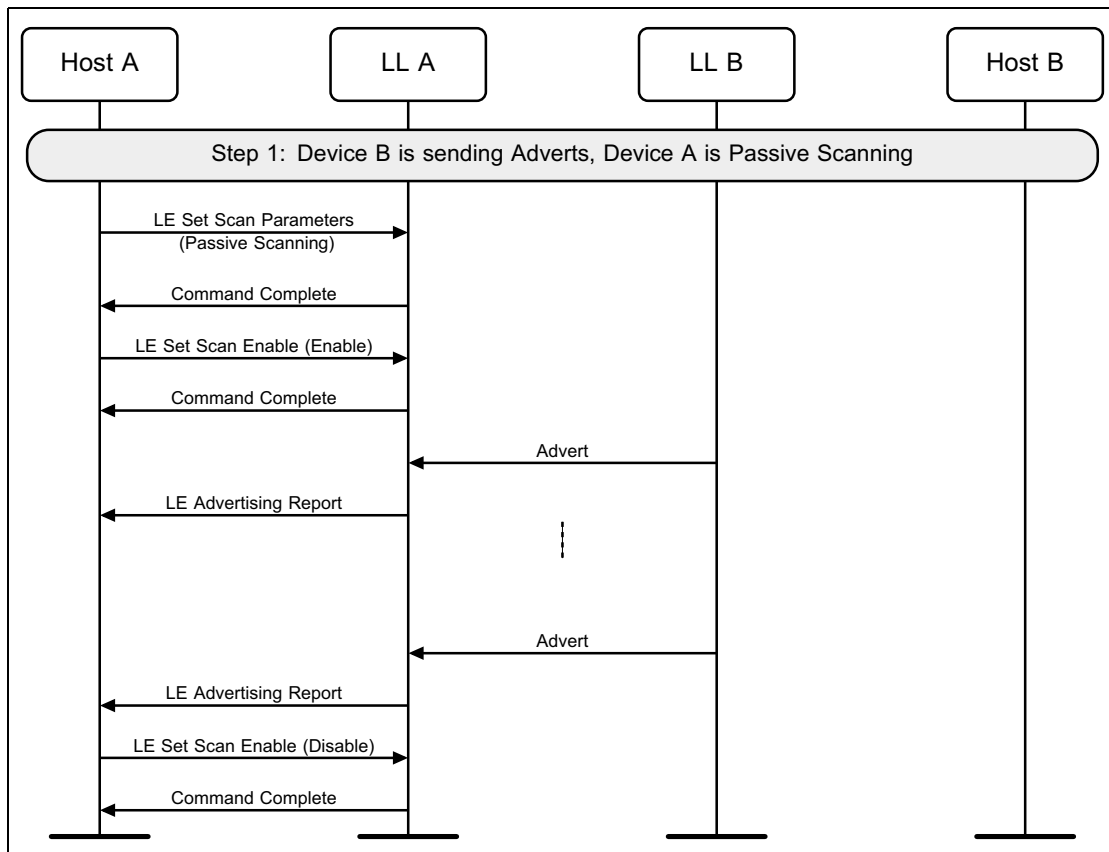


Figure 4.1: Passive scanning



4.2 ACTIVE SCANNING

A device may use active scanning to obtain more information about devices that may be useful to populate a user interface. Active scanning involves more Link Layer advertising messages (see [Figure 4.2](#)).

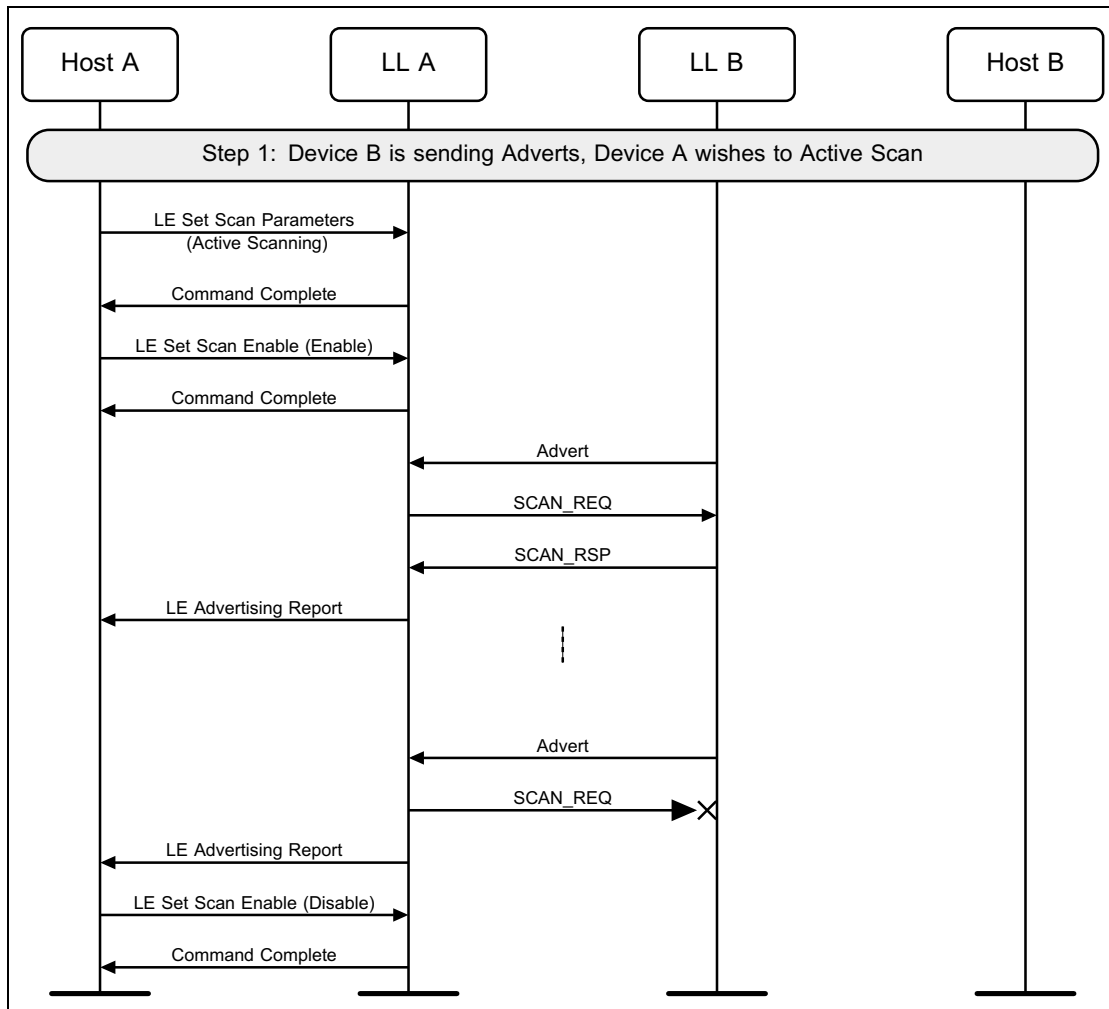


Figure 4.2: Active scanning



4.3 PASSIVE SCANNING FOR DIRECTED ADVERTISEMENTS WITH PRIVACY

If a device does not support Privacy in the Controller, it may choose to forward LE Directed Advertising Report events from devices supporting Privacy without requiring filtering through the Controller Resolving List.

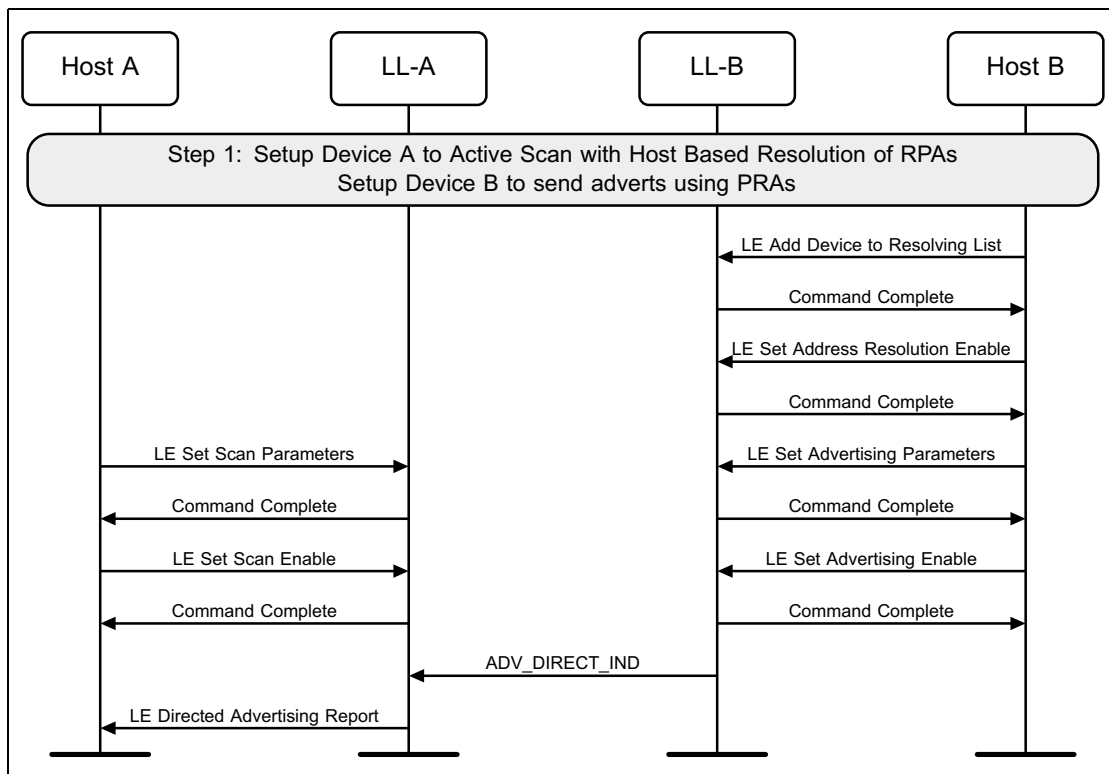


Figure 4.3: Directed advertising with Privacy



4.4 ACTIVE SCANNING WITH PRIVACY

A device may use active scanning to obtain more information about devices that may be useful to populate a user interface. Privacy may be used during active scanning to make it more difficult to track either device during active scanning (see [Figure 4.4](#)).

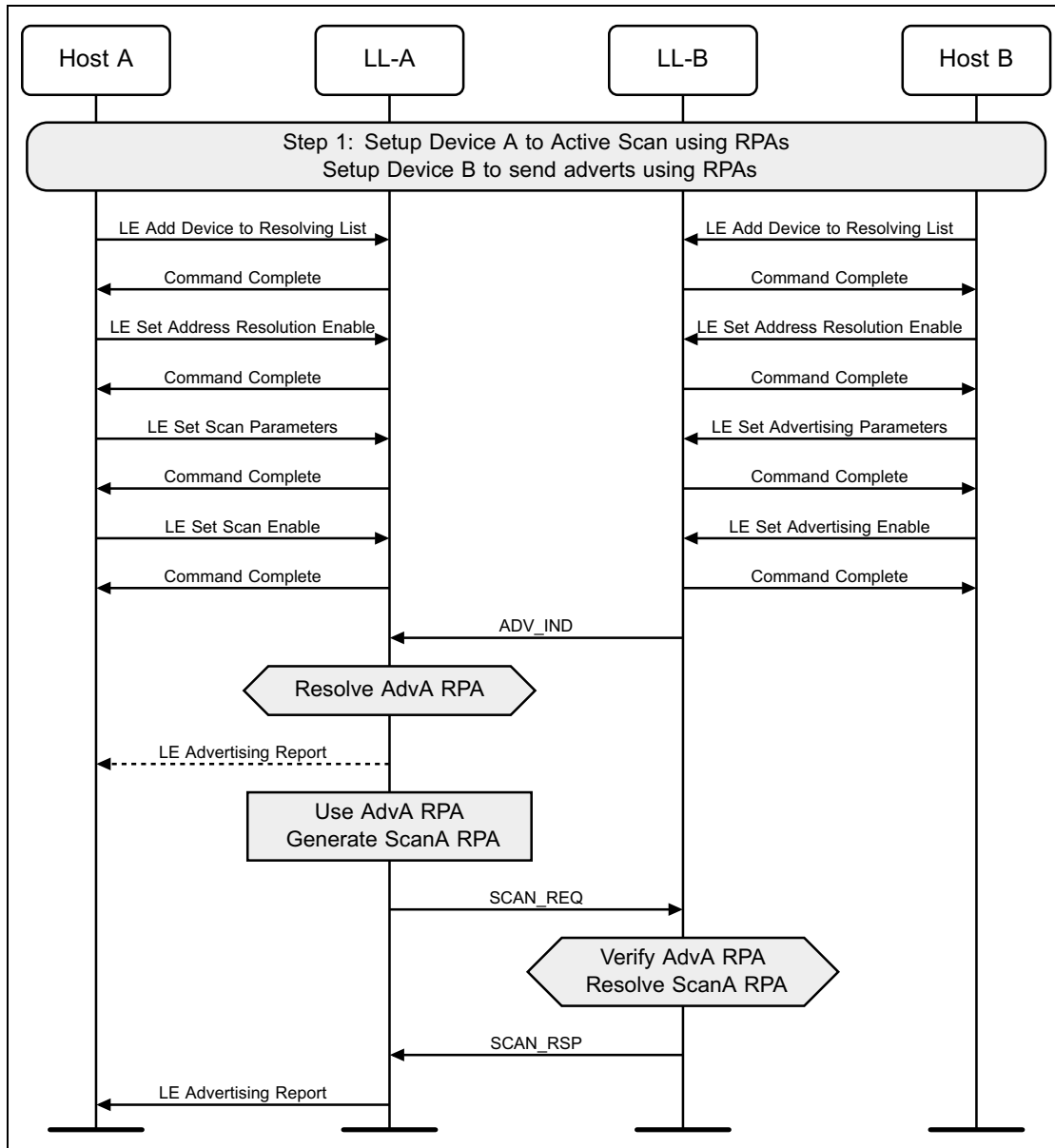


Figure 4.4: Active scanning with Privacy



4.5 ACTIVE SCANNING WITH PRIVACY AND CONTROLLER BASED RESOLVABLE PRIVATE ADDRESS GENERATION

A Controller will periodically update the resolvable private addresses used on both devices if the devices use active scanning and advertising with Privacy. A Host may at anytime retrieve the read from the Controller the current addresses being used (see [Figure 4.5](#)).

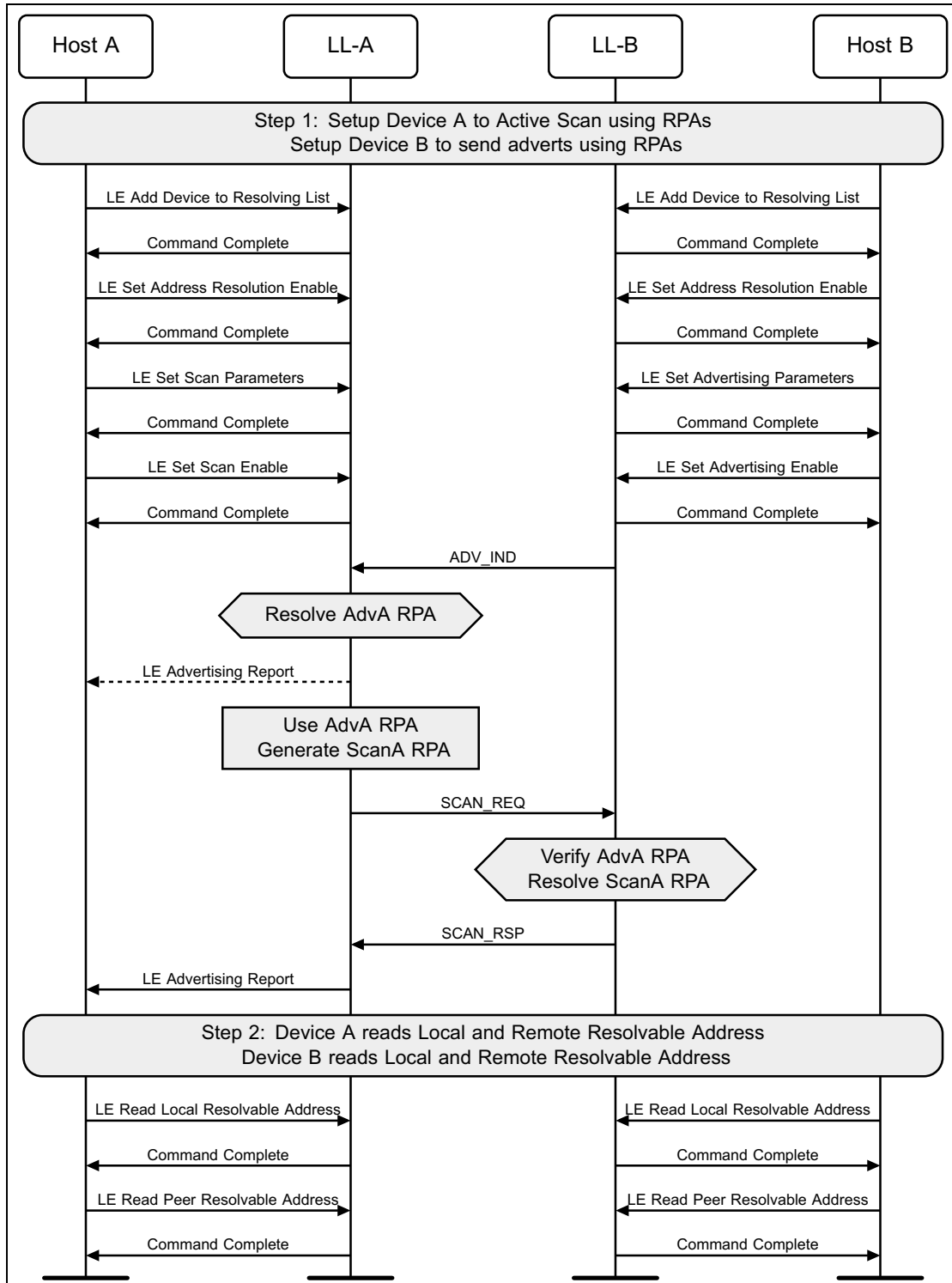


Figure 4.5: Retrieving local and remote resolvable address updates from the Controller



4.6 ACTIVE SCANNING ON THE SECONDARY ADVERTISING PHYSICAL CHANNEL

A device may use active scanning on the secondary advertising physical channel in order to obtain more information about devices that may be useful to populate a user interface (see [Figure 4.6](#)).

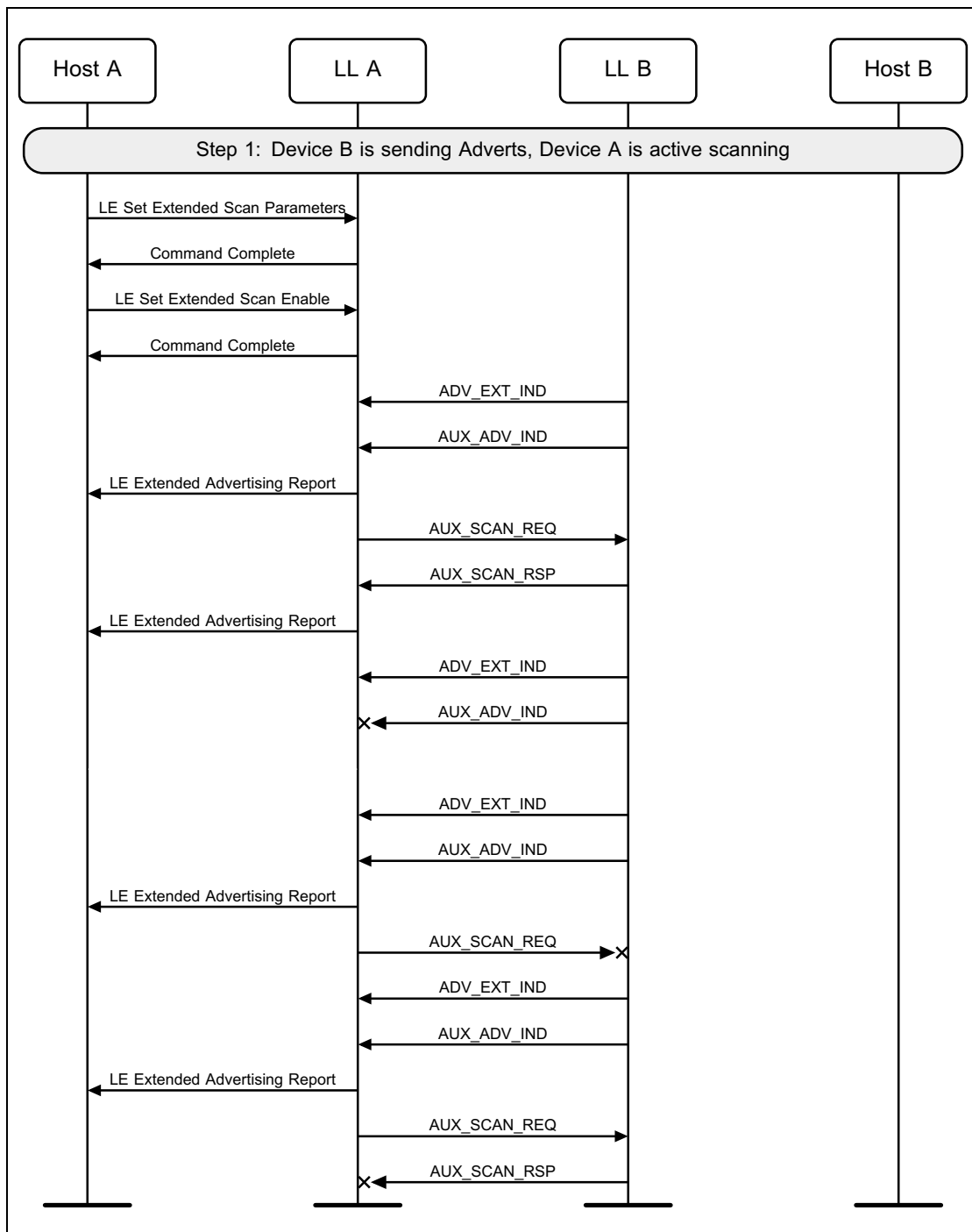


Figure 4.6: Extended active scanning on the secondary advertising physical channel



4.7 SCAN TIMEOUT

A device may scan for a limited duration of time (see [Figure 4.7](#)).

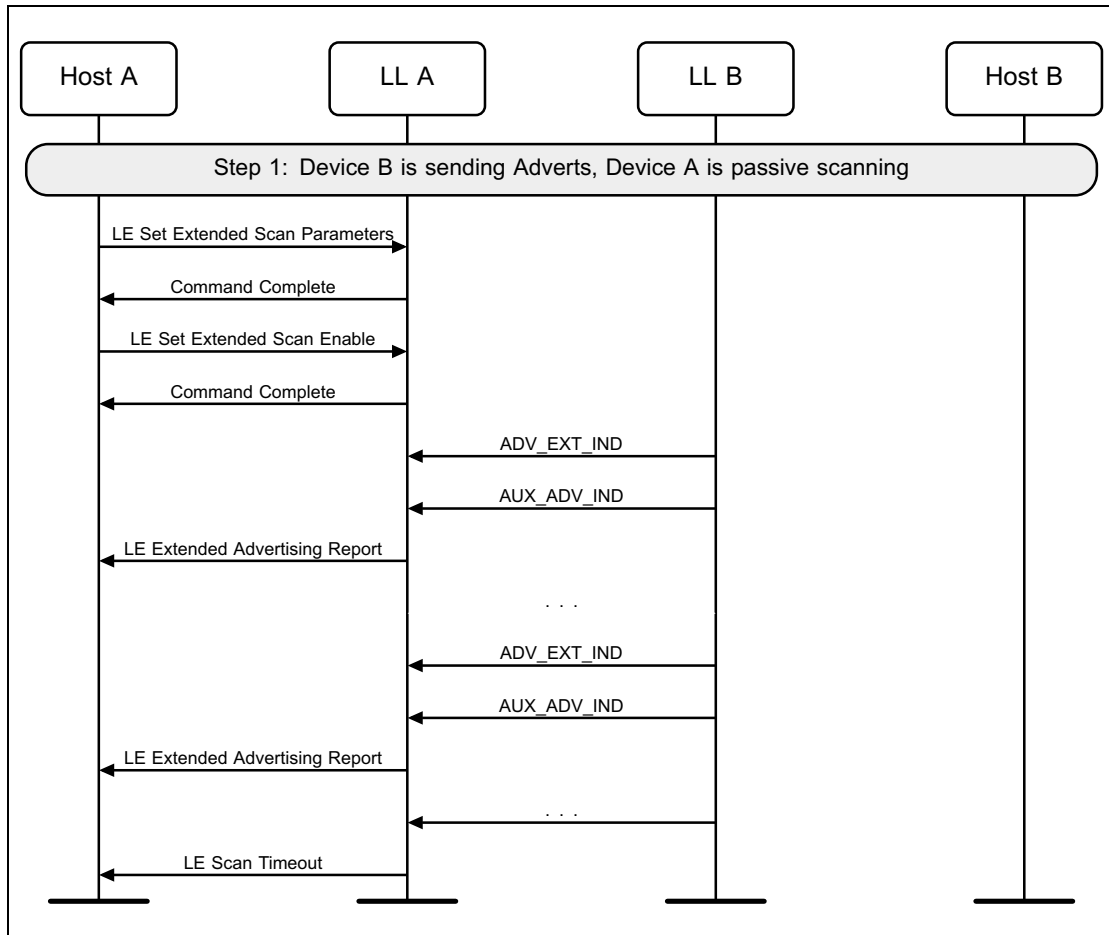


Figure 4.7: Scan timeout



4.8 SCANNING FOR PERIODIC ADVERTISEMENTS

A device may establish synchronization with a periodic advertiser and report periodic advertising packets to the Host (see [Figure 4.8](#)).

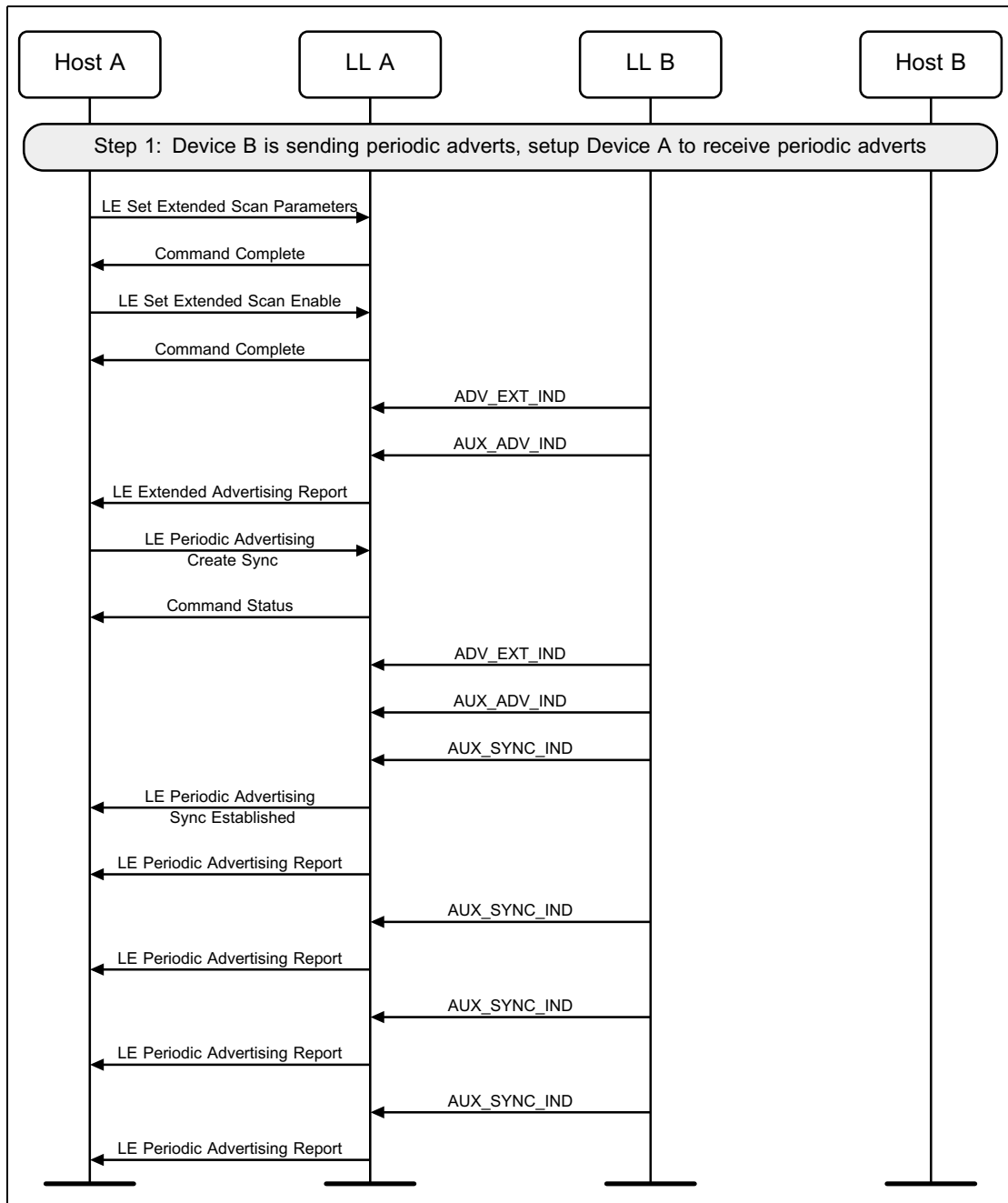


Figure 4.8: Periodic scanning



4.9 CANCEL SCANNING FOR PERIODIC ADVERTISEMENTS

A device may cancel a pending request to establish synchronization with a periodic advertiser. This example shows an unsuccessful synchronization, followed by cancellation of the synchronization (see [Figure 4.9](#)).

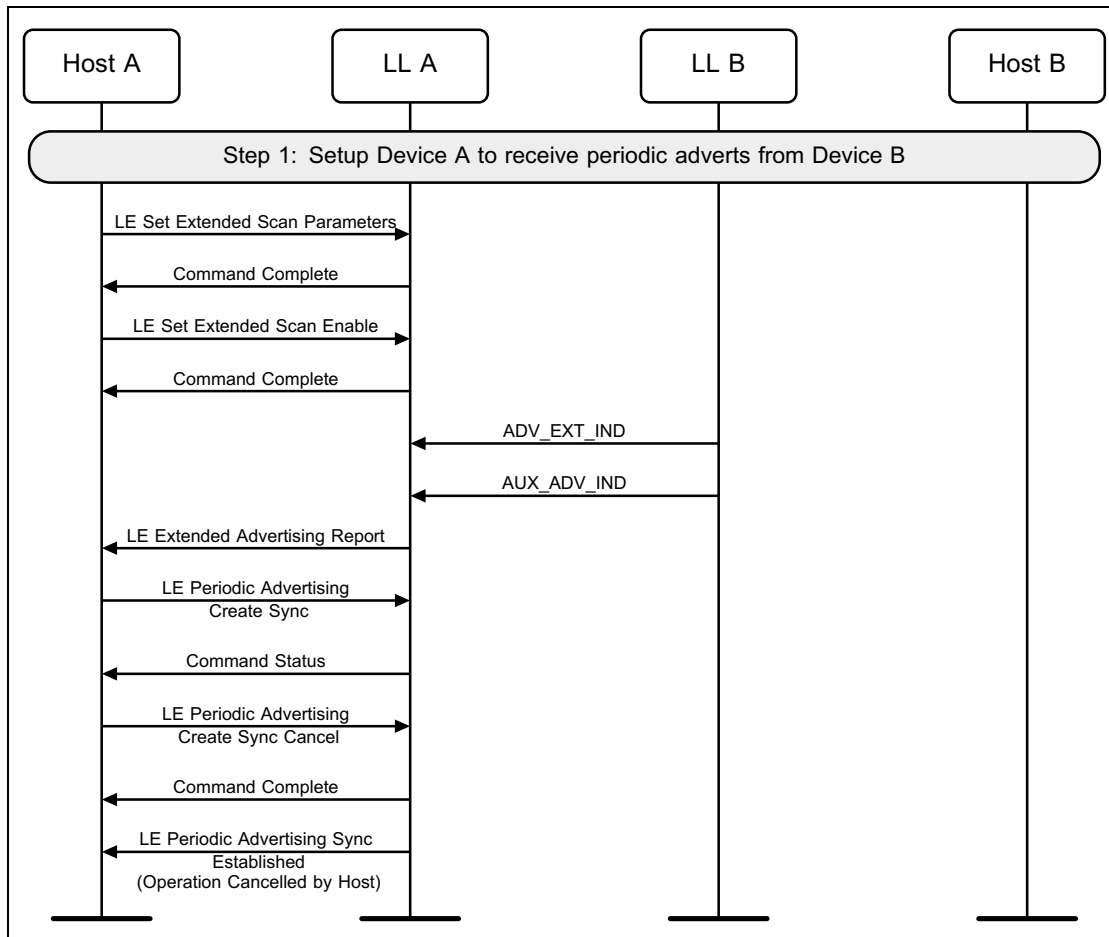


Figure 4.9: Periodic scanning cancel



4.10 PERIODIC ADVERTISING SYNCHRONIZATION TIMEOUT

A device may lose synchronization with a periodic advertiser (see [Figure 4.10](#)).

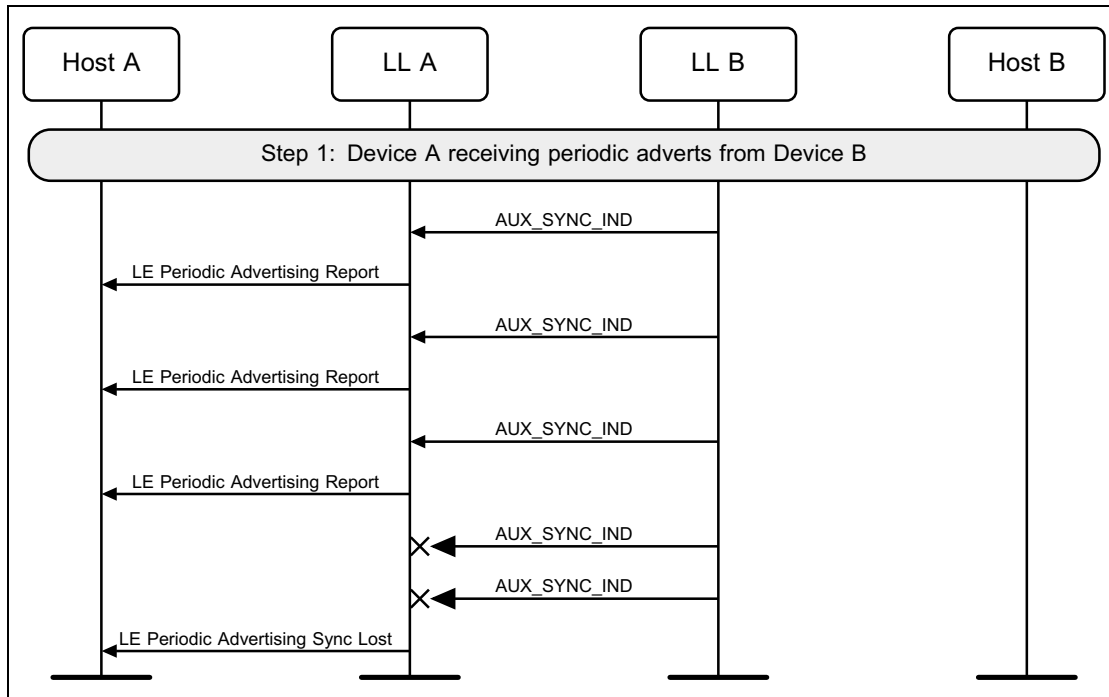


Figure 4.10: Periodic scanning timeout



4.11 TERMINATE RECEPTION OF PERIODIC ADVERTISING

Once synchronized with a periodic advertiser, the Host can terminate the synchronization (see [Figure 4.11](#)).

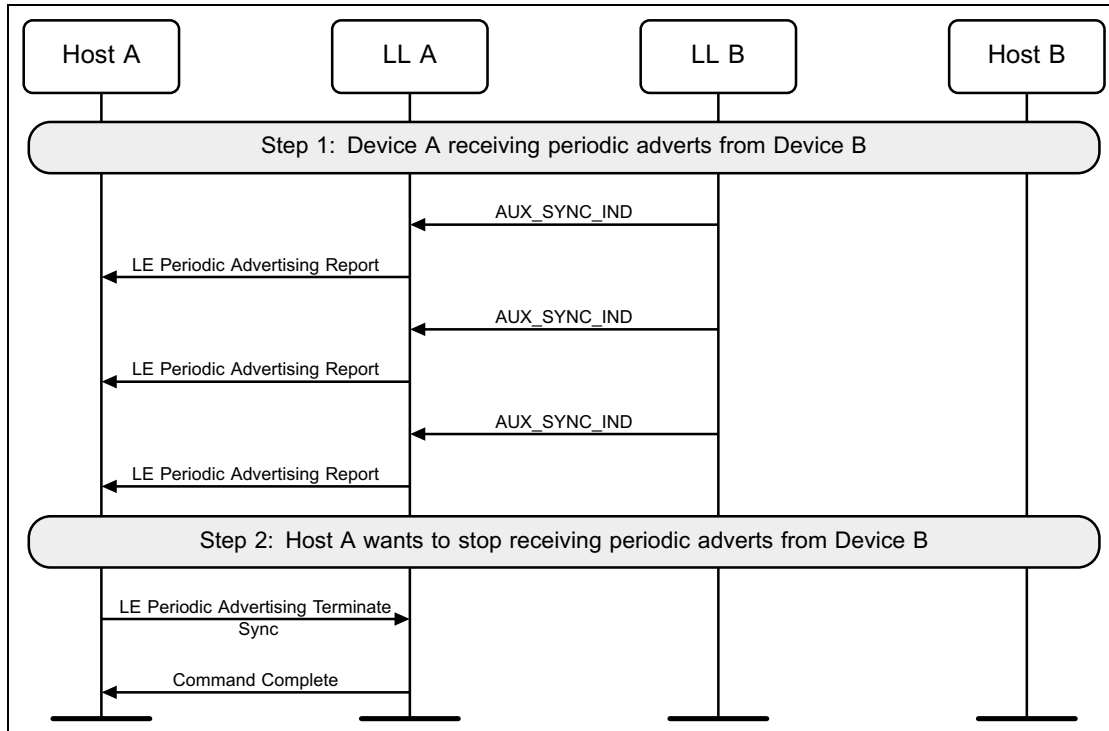


Figure 4.11: Periodic scanning terminate



4.12 CONNECTIONLESS CONSTANT TONE EXTENSION RECEPTION

A device may receive periodic advertising packets containing a Constant Tone Extension and send IQ samples to the Host (see [Figure 4.12](#)).

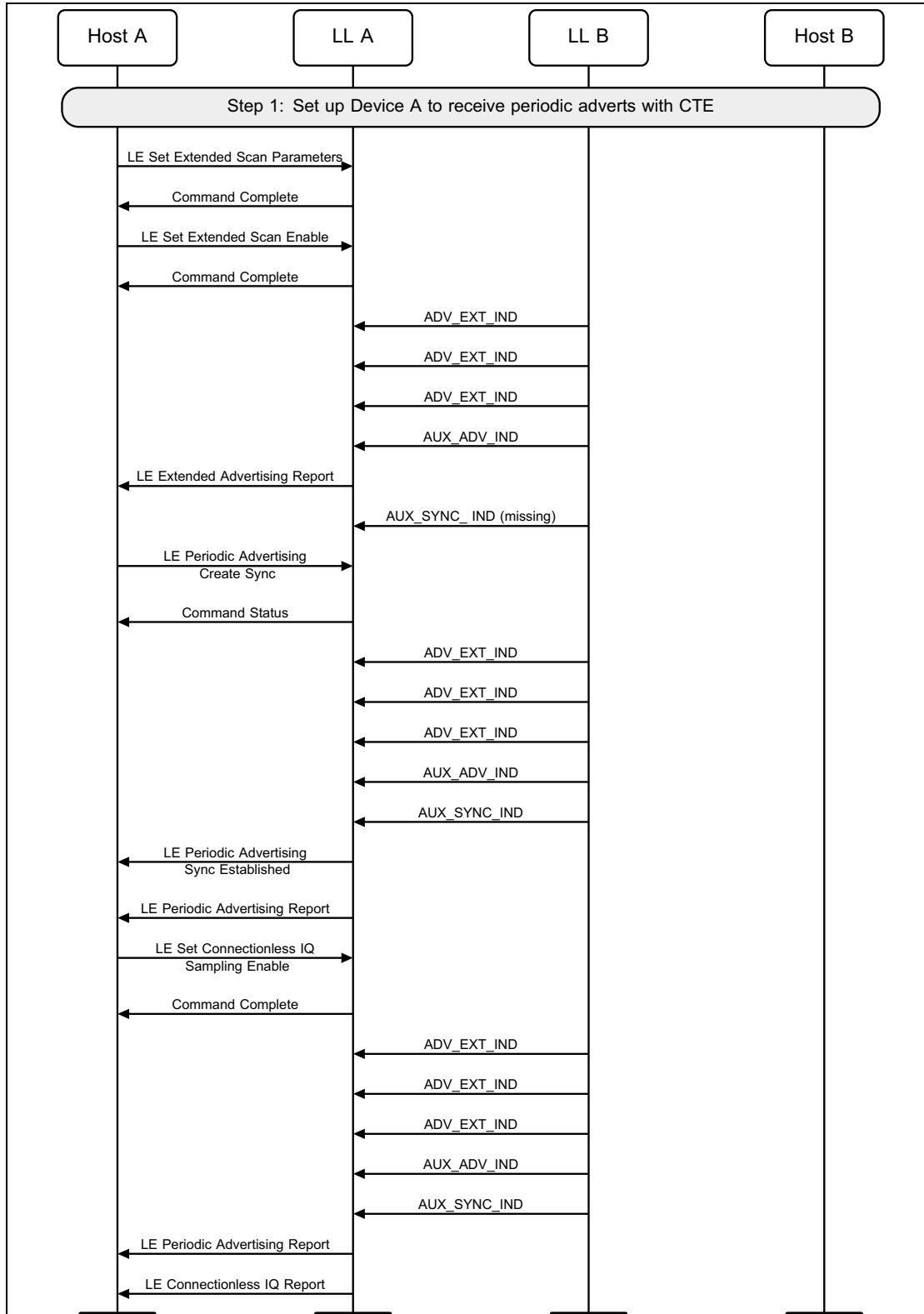


Figure 4.12: Connectionless Constant Tone Extension reception



4.13 SYNCHRONIZATION WITH SEPARATE ENABLE OF REPORTS

A device may enable or disable reports after establishing synchronization with a periodic advertising train.

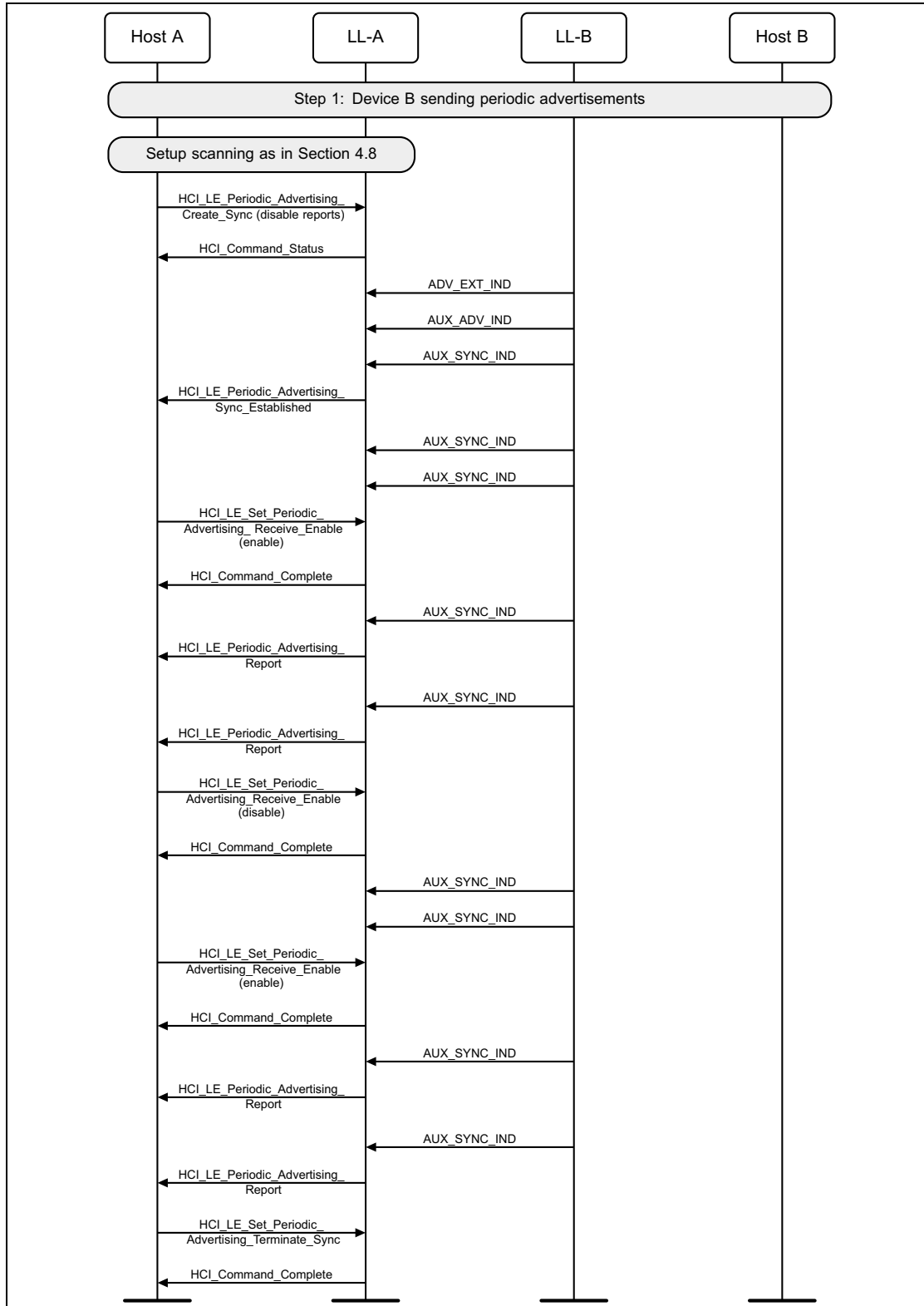


Figure 4.13: Periodic scanning with separate enable



5 INITIATING STATE

5.1 INITIATING A CONNECTION

A device can initiate a connection to an advertiser. This example shows a successful initiation, resulting in both devices able to send application data (see [Figure 5.1](#)).

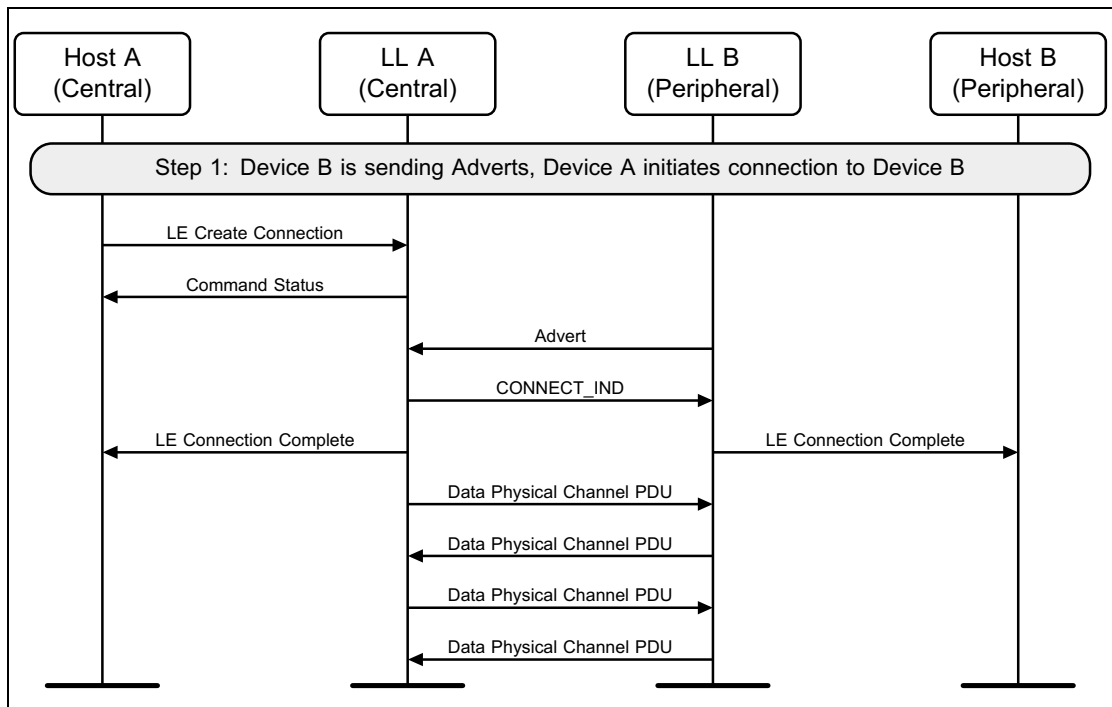


Figure 5.1: Initiating a connection



5.2 CANCELING AN INITIATION

A device can cancel a pending connection creation. This example shows an unsuccessful initiation, followed by a cancellation of the initiation (see [Figure 5.2](#)).

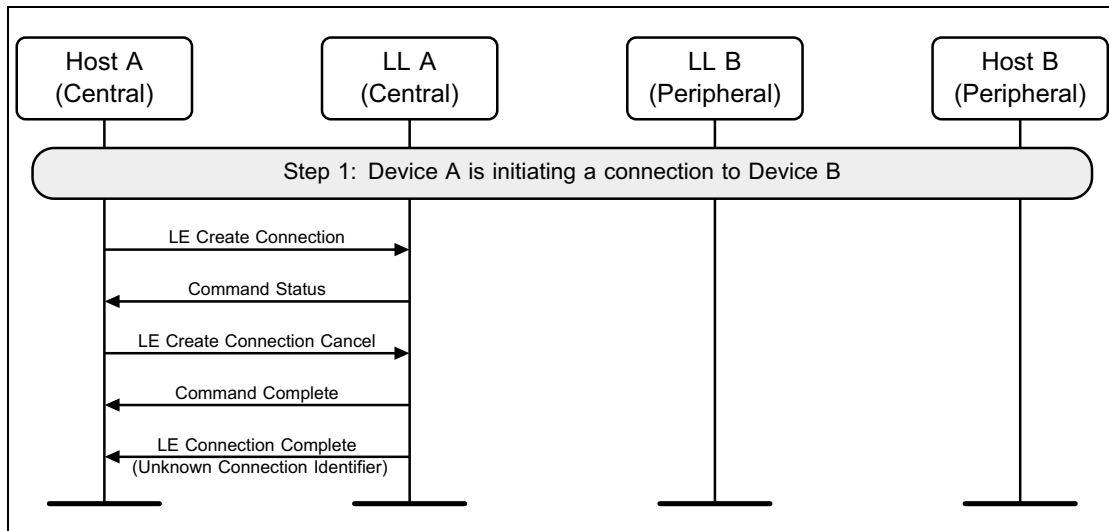


Figure 5.2: Canceling an initiation



5.3 INITIATING A CONNECTION USING UNDIRECTED ADVERTISING WITH PRIVACY

A device can initiate a connection to an advertiser. Privacy may be used during connection initiation to make it more difficult to track either device during connection setup. The example shows a successful initiation, resulting in both devices able to send application data (see [Figure 5.3](#)).

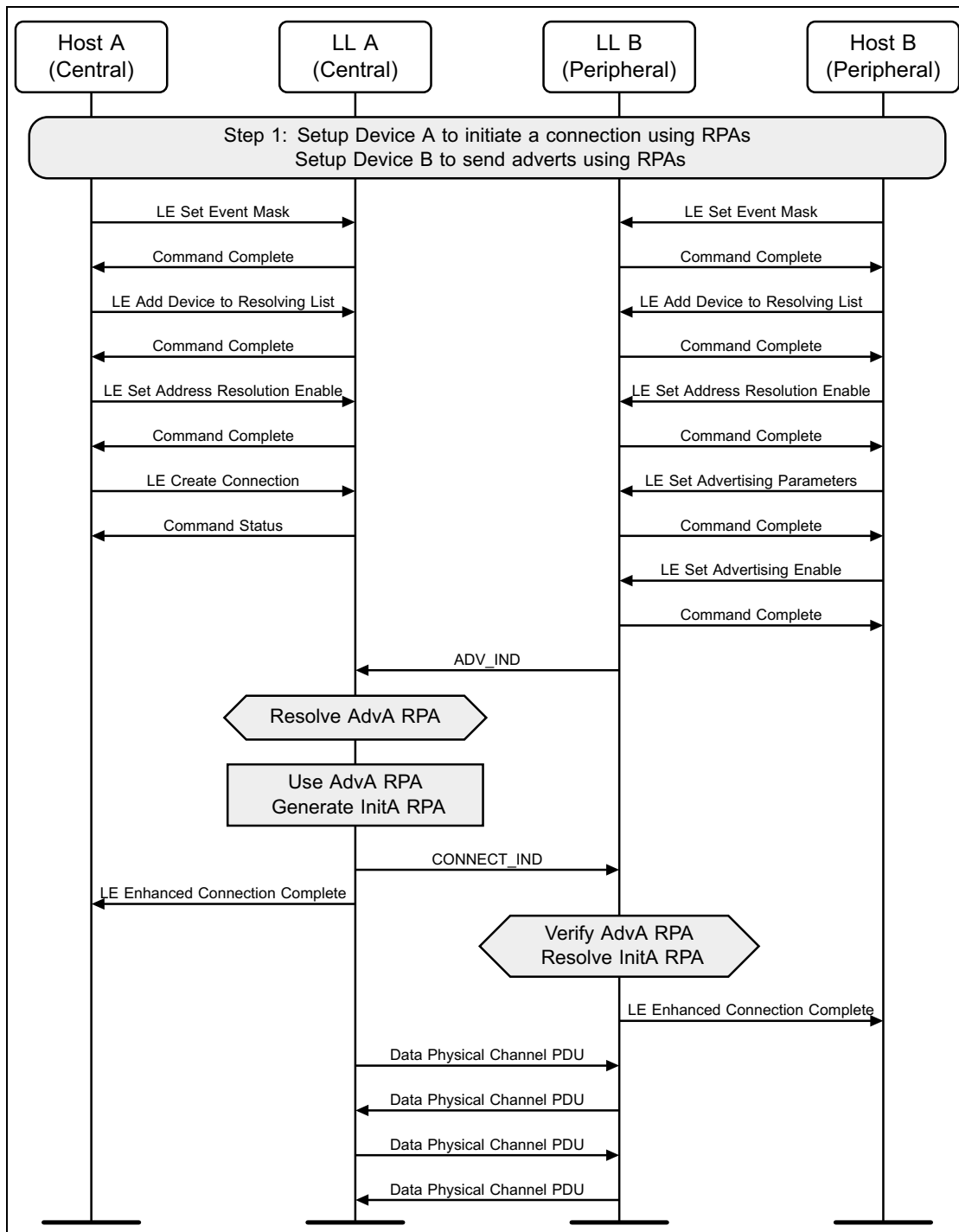


Figure 5.3: Initiating a connection using undirected advertising with Privacy



5.4 INITIATING A CONNECTION USING DIRECTED ADVERTISING WITH PRIVACY

A device can initiate a connection to an advertiser who is using Directed Advertising. Privacy may be used during connection initiation to make it more difficult to track either device during connection setup as well as target a single initiator. The example shows a successful initiation, resulting in both devices able to send application data (see [Figure 5.4](#)).

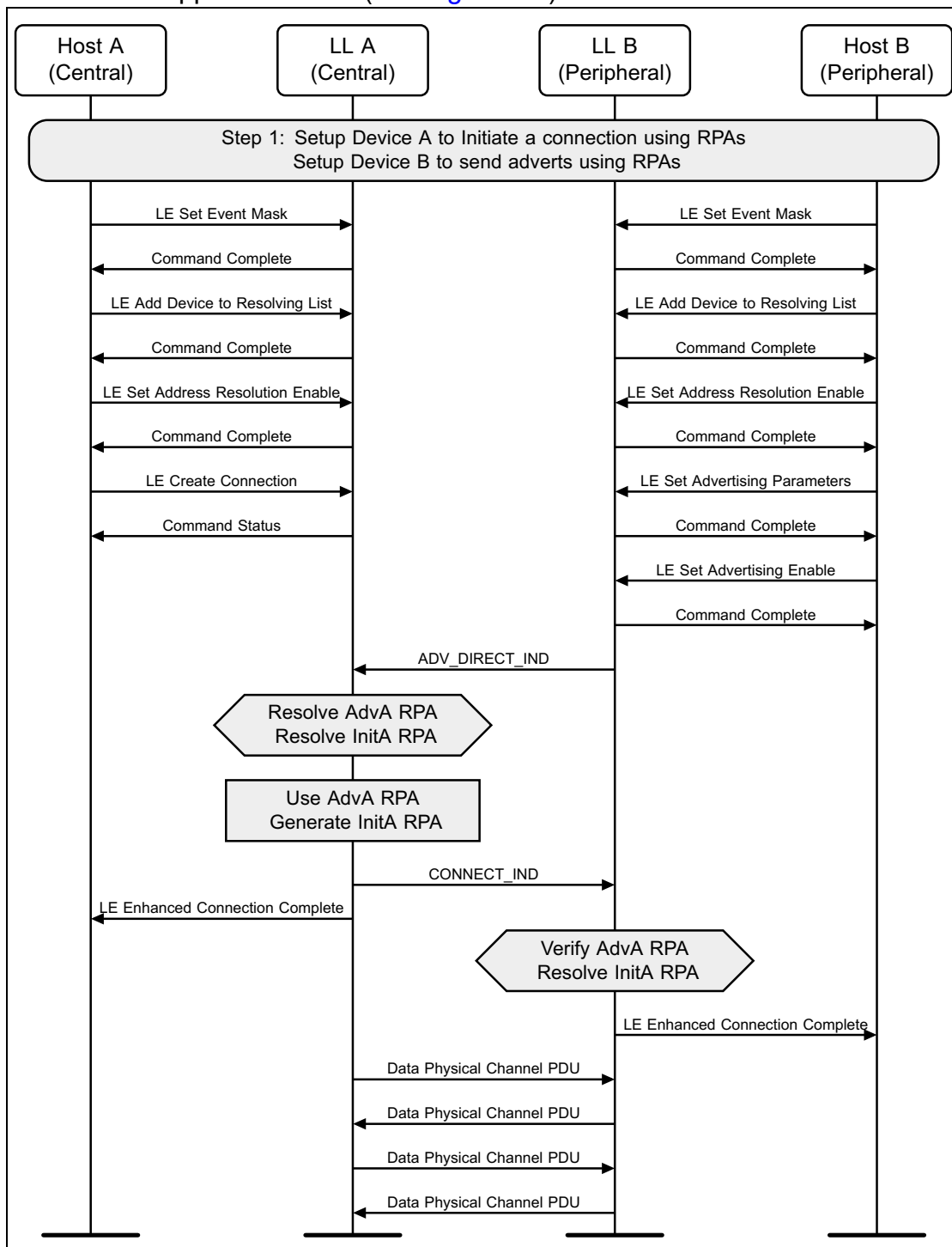


Figure 5.4: Initiating a connection using directed advertising with Privacy



5.5 INITIATING A CONNECTION THAT FAILS TO ESTABLISH

This example shows an initiation that fails to establish because Device B (the advertiser) fails to respond to the Data Physical Channel PDUs sent by Device A.

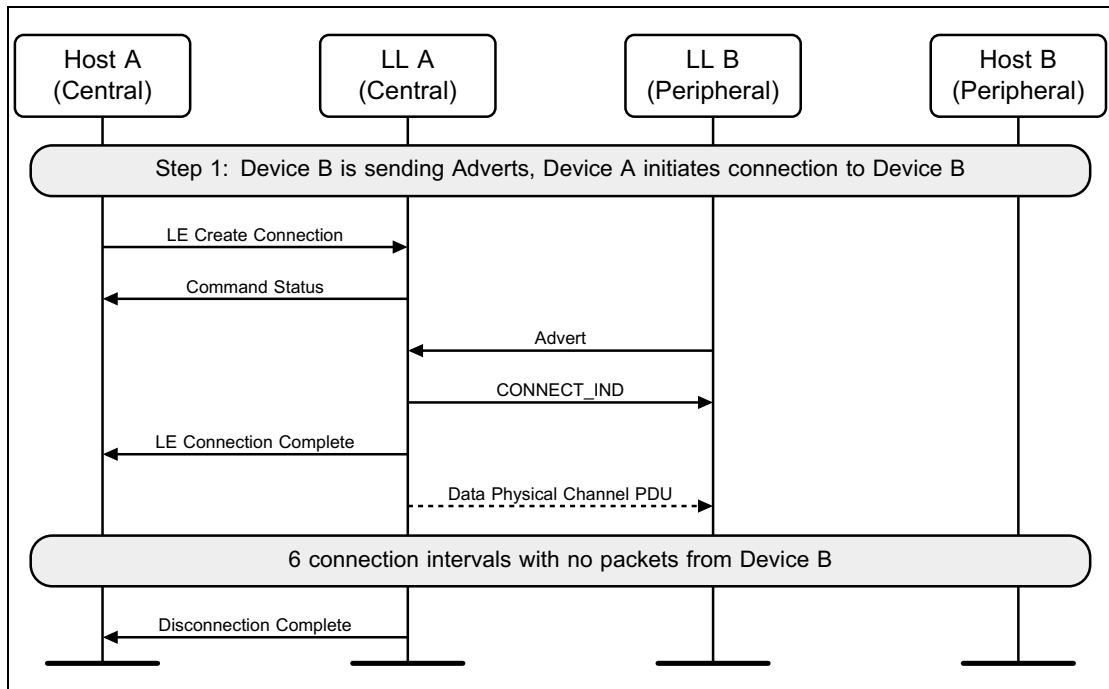


Figure 5.5: Initiating a connection that fails to establish

Device A is not required to send Data Channel PDUs in the 6 connection intervals before establishment fails. However, if it does not do so, Device B is unable to respond.



5.6 INITIATING A CONNECTION ON THE SECONDARY ADVERTISING PHYSICAL CHANNEL

A device can initiate a connection to an advertiser on the secondary channel. This example shows a successful initiation, resulting in both devices able to send application data (see [Figure 5.6](#)).

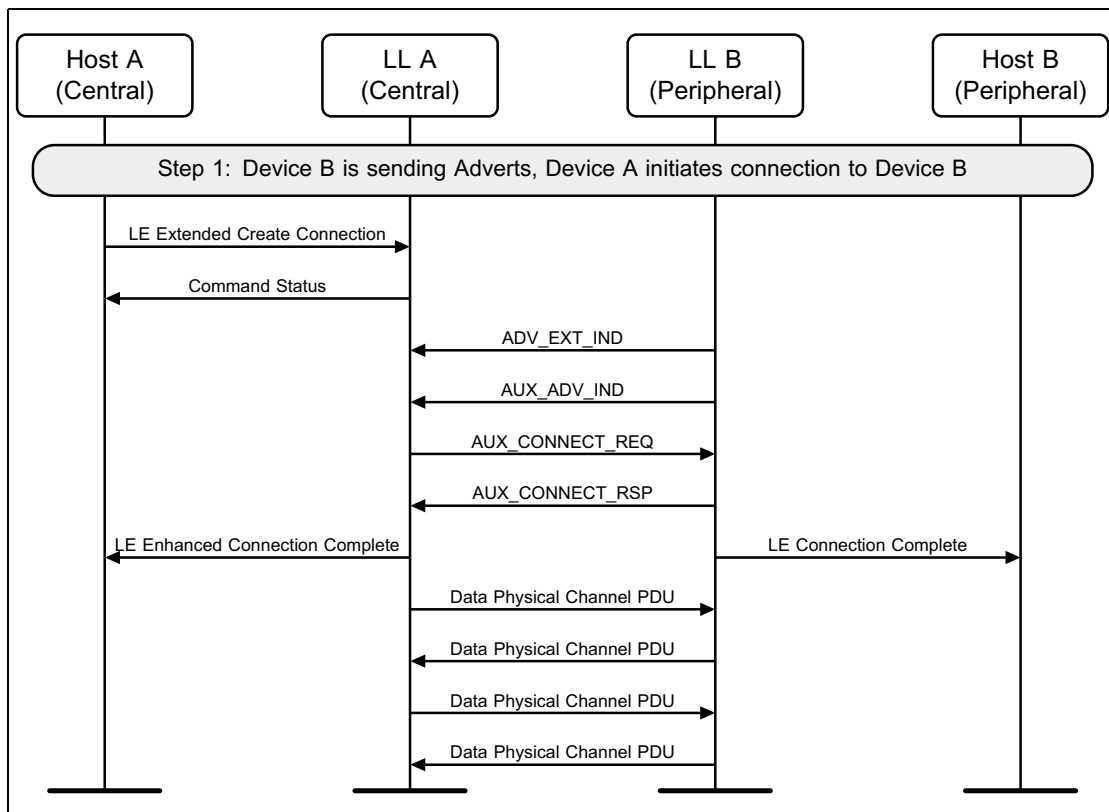


Figure 5.6: Initiating a connection on the secondary advertising physical channel



5.7 INITIATING A CHANNEL SELECTION ALGORITHM #2 CONNECTION

Where a device supports the Channel Selection Algorithm #2 feature, it can initiate a connection which will use Channel Selection Algorithm #2 to an advertiser who has the ChSel field of the advertising physical channel PDU set to 1. The example shows a successful initiation, resulting in the connection using Channel Selection Algorithm #2.

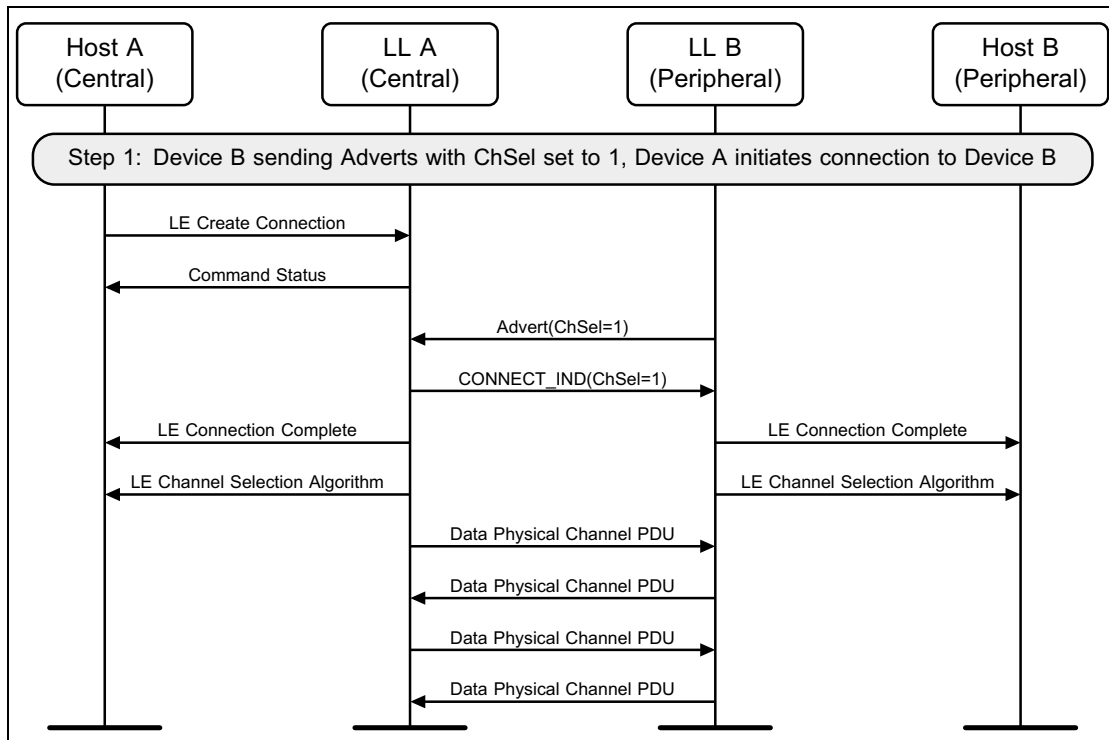


Figure 5.7: Initiating a Channel Selection algorithm #2 connection



6 CONNECTION STATE

6.1 SENDING DATA

Once two devices are in a connection, either device can send data. This example shows both devices sending data, for example when the Attribute Protocol does a read request and a read response is returned (see [Figure 6.1](#)).

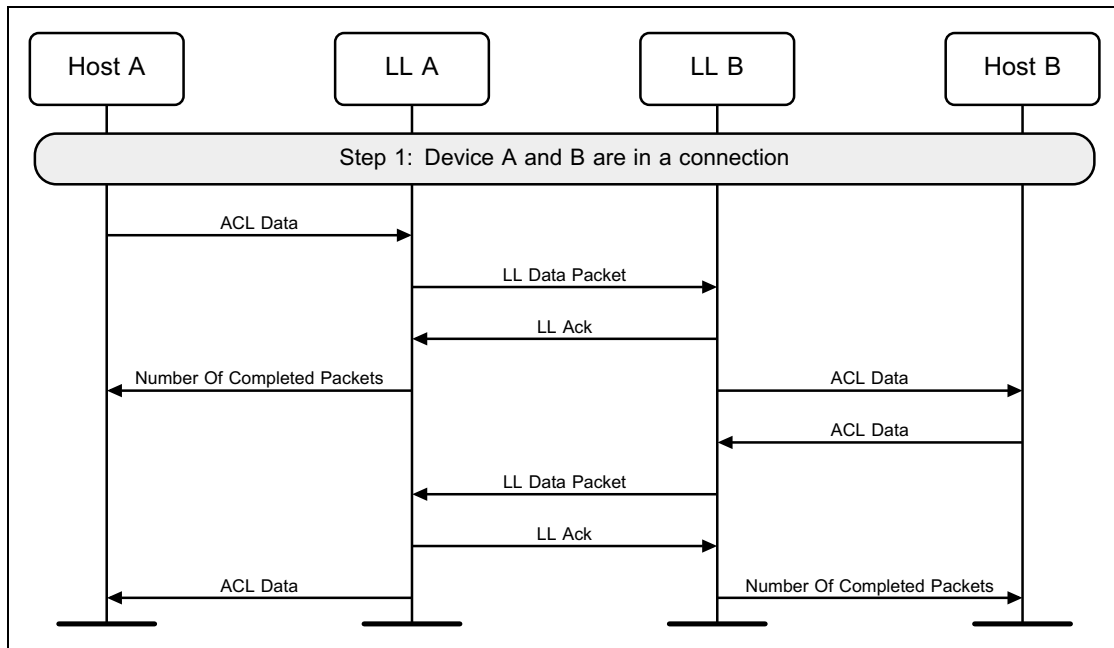


Figure 6.1: Sending data



6.2 CONNECTION UPDATE

The Central of the connection may request a connection update using a Link Layer control procedure (see [Figure 6.2](#)).

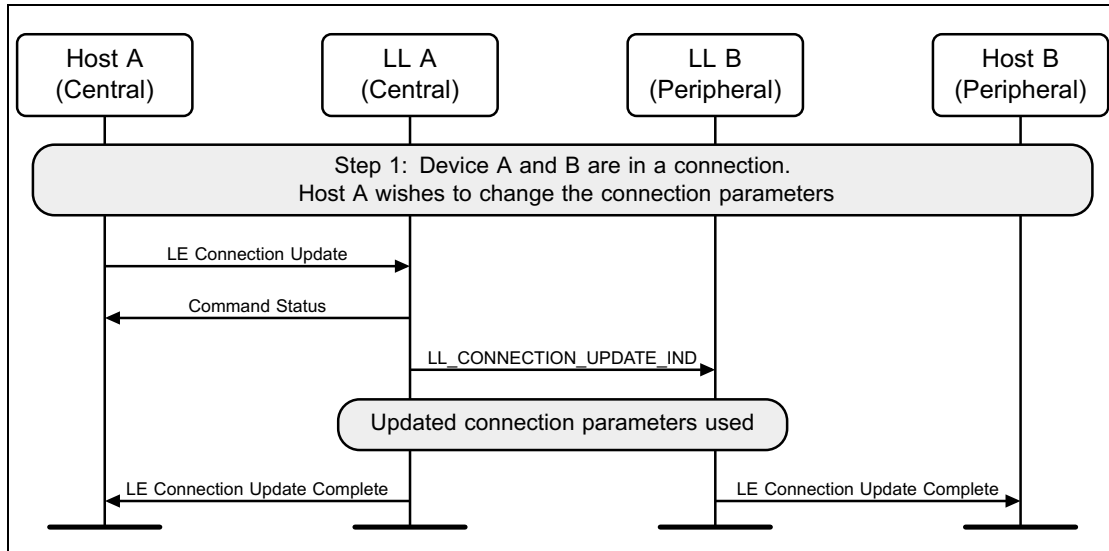


Figure 6.2: Connection update

6.3 CHANNEL MAP UPDATE

The Controller of the Central may receive some channel classification data from the Host and then perform the Channel Update Link Layer Control procedure (see [Figure 6.3](#)).

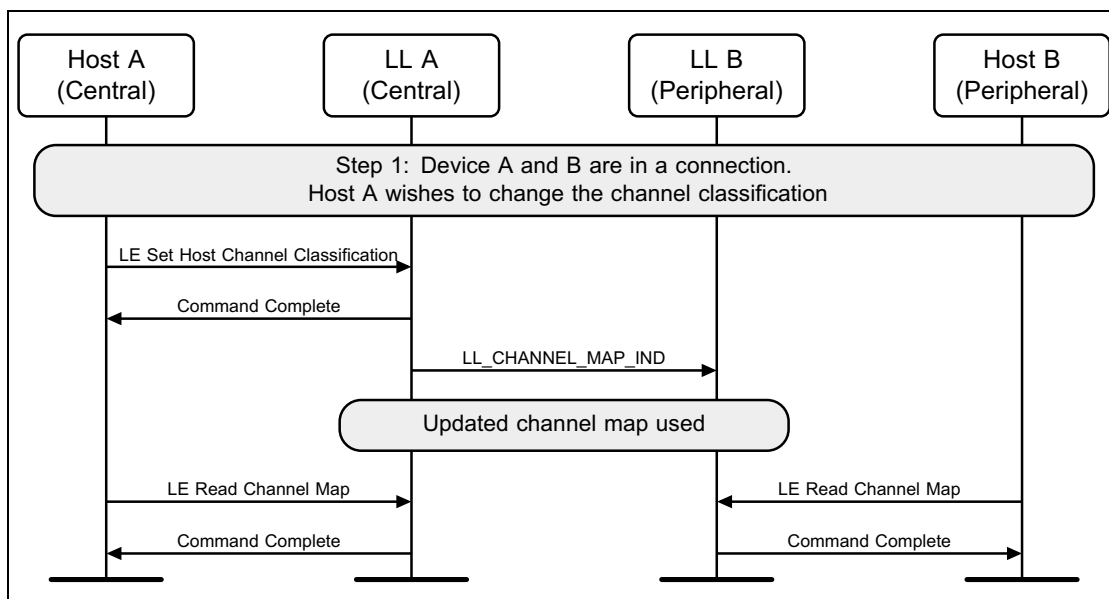


Figure 6.3: Channel map update



6.4 FEATURES EXCHANGE

Both the Central and Peripheral can discover the set of features available on the remote device. To achieve this, the Feature Exchange Link Layer Control procedure is used (see [Figure 6.4](#) and [Figure 6.5](#)).

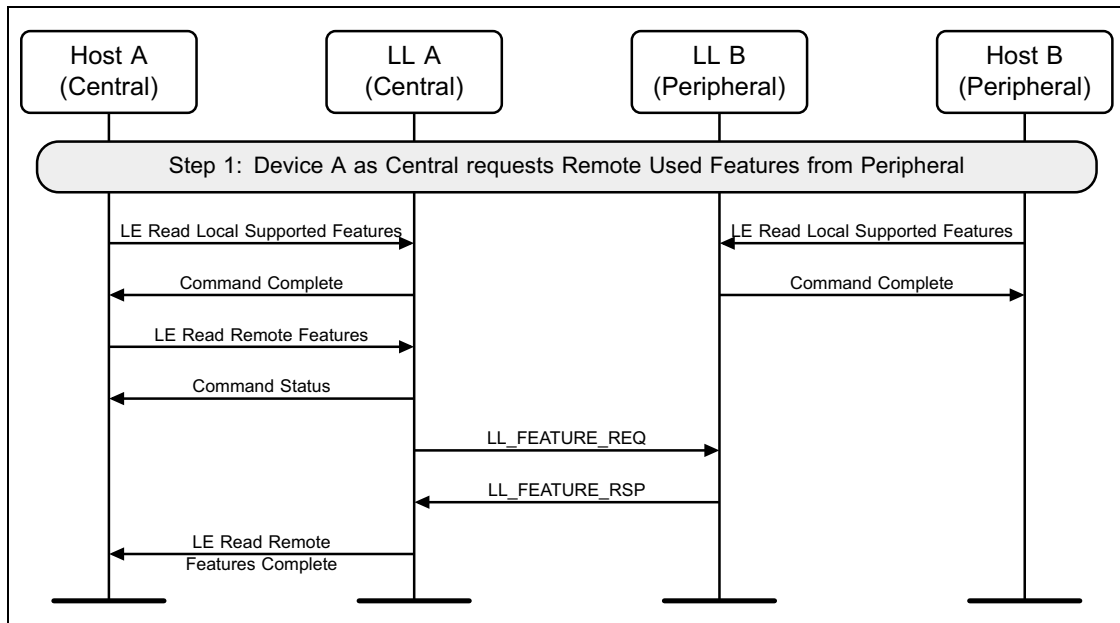


Figure 6.4: Central-initiated features exchange

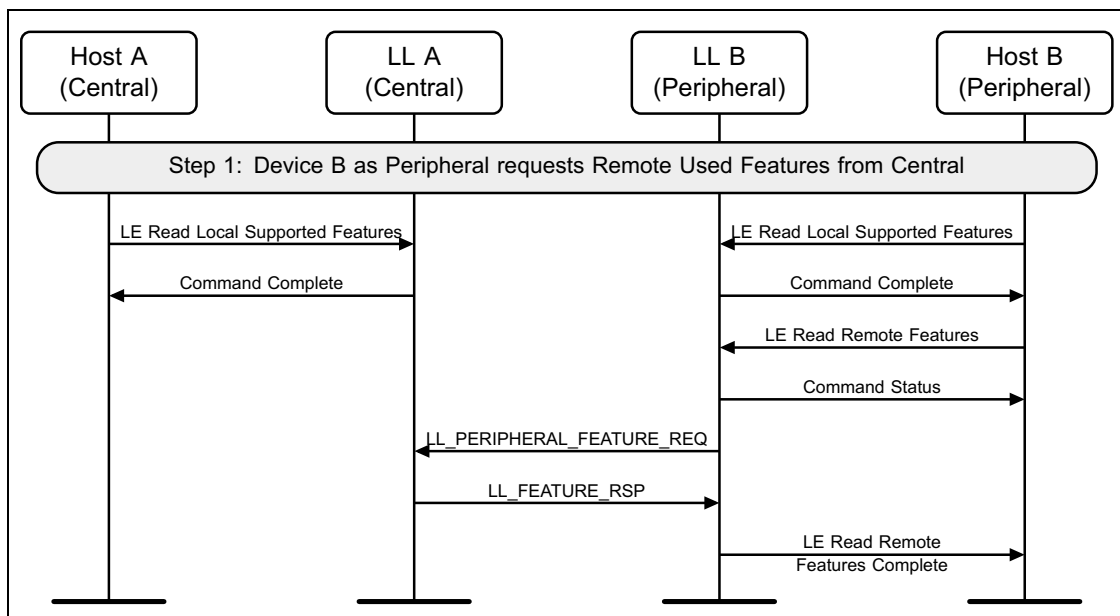


Figure 6.5: Peripheral-initiated features exchange



6.5 VERSION EXCHANGE

Either device may perform a Version Exchange procedure (see [Figure 6.6](#) and [Figure 6.7](#)).

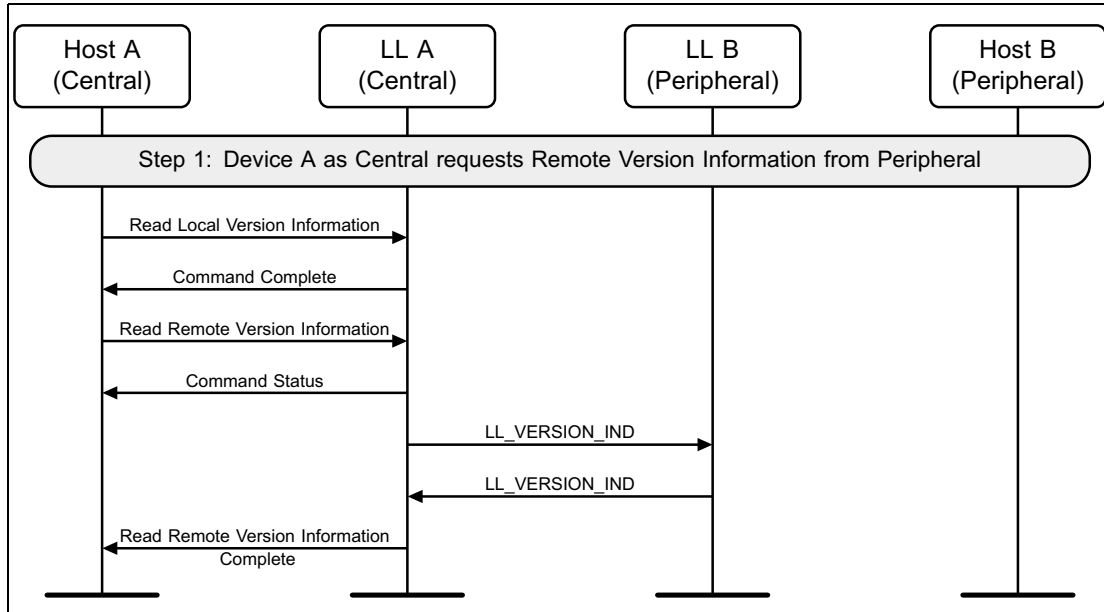


Figure 6.6: Version exchange from Central

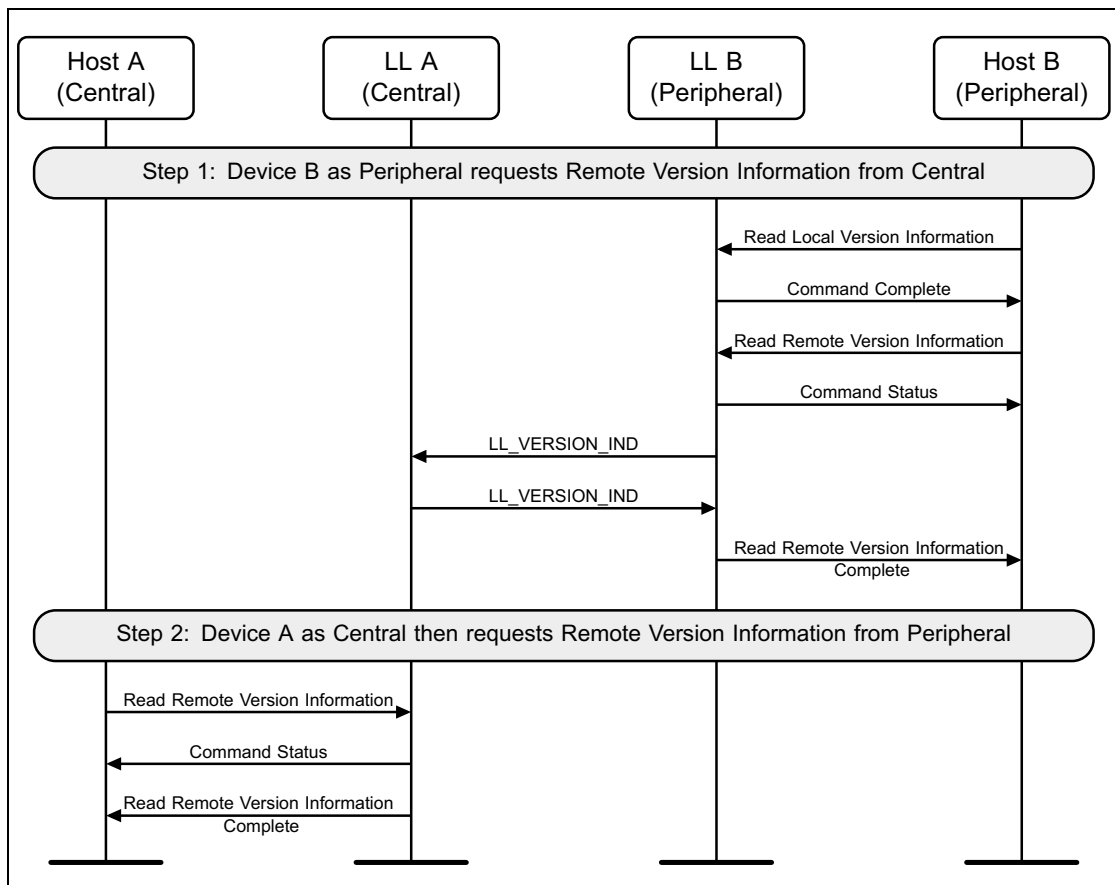


Figure 6.7: Version exchange from Peripheral



6.6 START ENCRYPTION

If encryption has not been started on a connection, it may be started by the Central (see [Figure 6.8](#)).

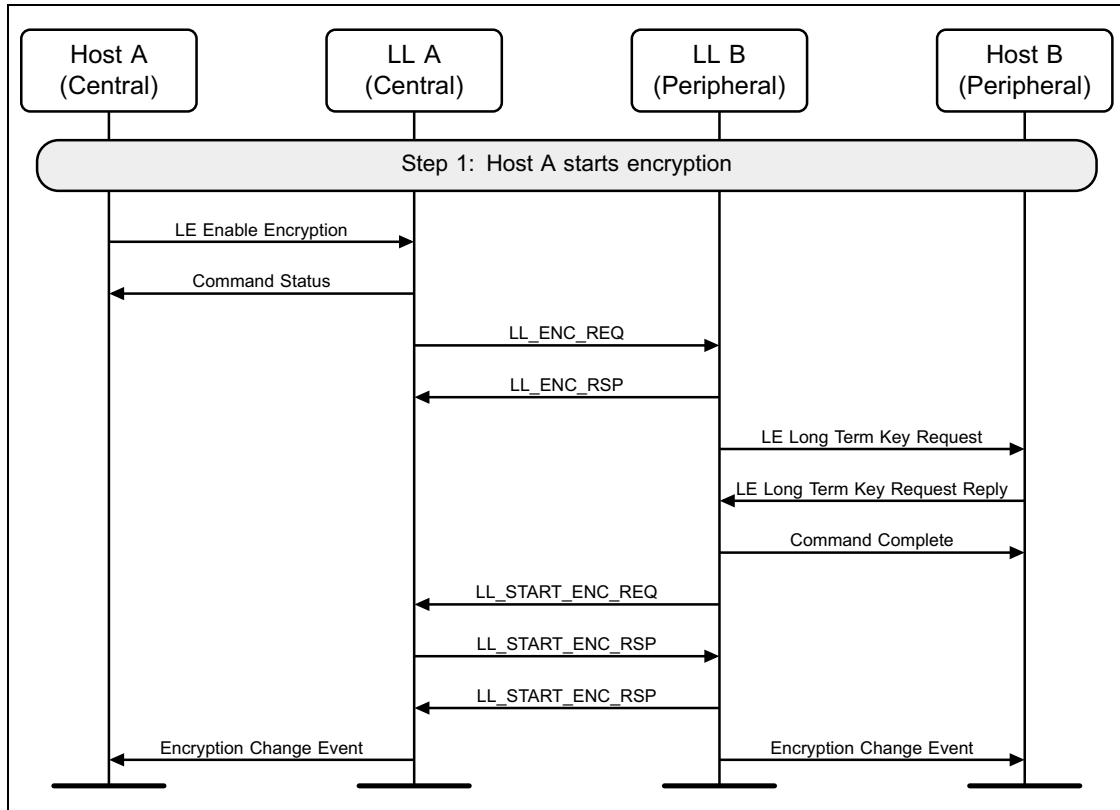


Figure 6.8: Start encryption



6.7 START ENCRYPTION WITHOUT LONG-TERM KEY

If encryption has not been started on a connection, it may be started by the Central. [Figure 6.9](#) shows the failure case of the Peripheral not having the long term key for the Central.

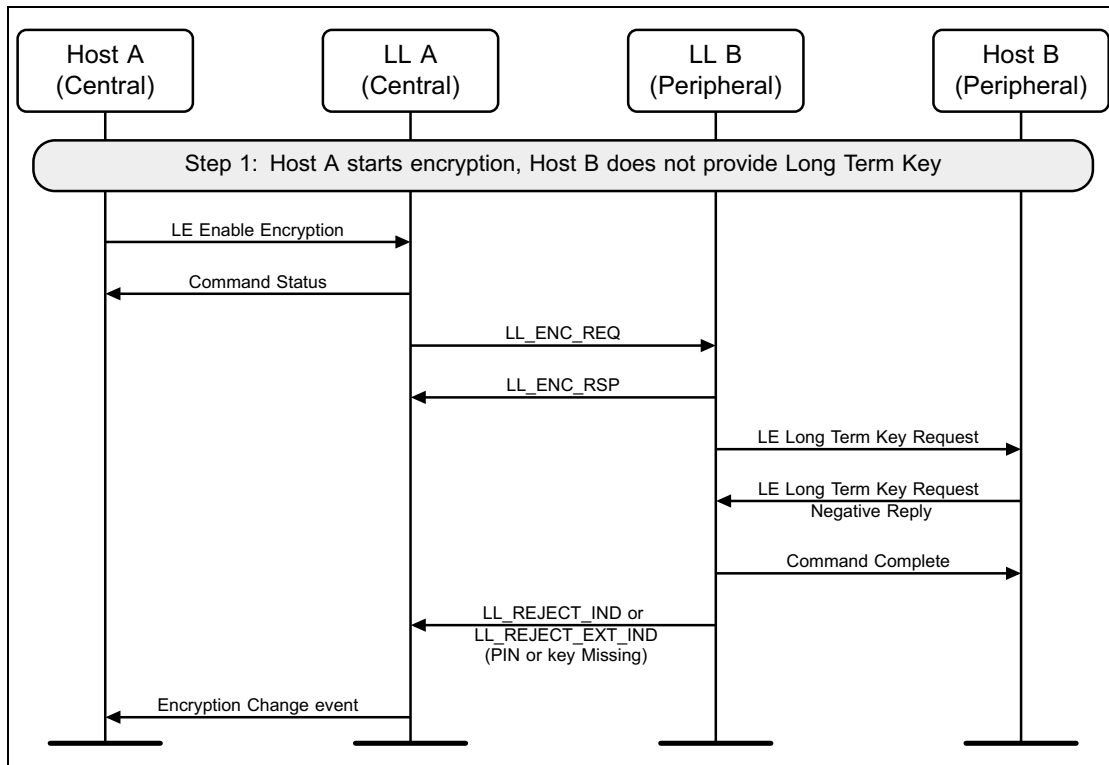


Figure 6.9: Start encryption without long-term key



6.8 START ENCRYPTION WITH EVENT MASKED

If encryption has not been started on a connection, it may be started by the Central. Figure 6.10 shows the failure case when the Peripheral has masked out the HCI_LE_Long_Term_Key_Request event.

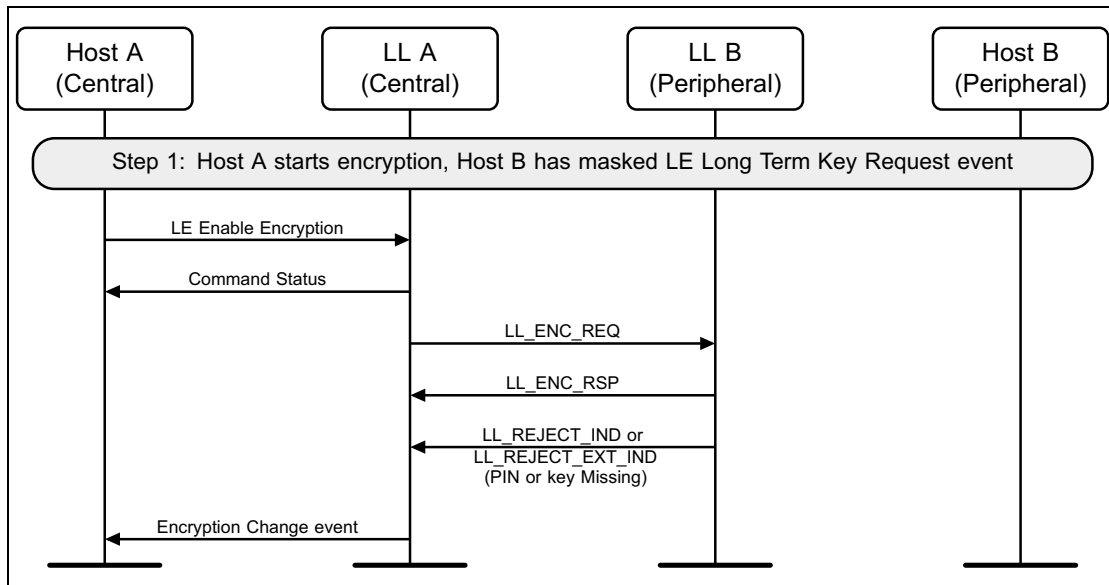


Figure 6.10: Start encryption with Peripheral masking out event

6.9 START ENCRYPTION WITHOUT PERIPHERAL SUPPORTING ENCRYPTION

If encryption has not been started on a connection, it may be started by the Central. Figure 6.11 shows the failure case of the Peripheral that does not support the encryption feature.

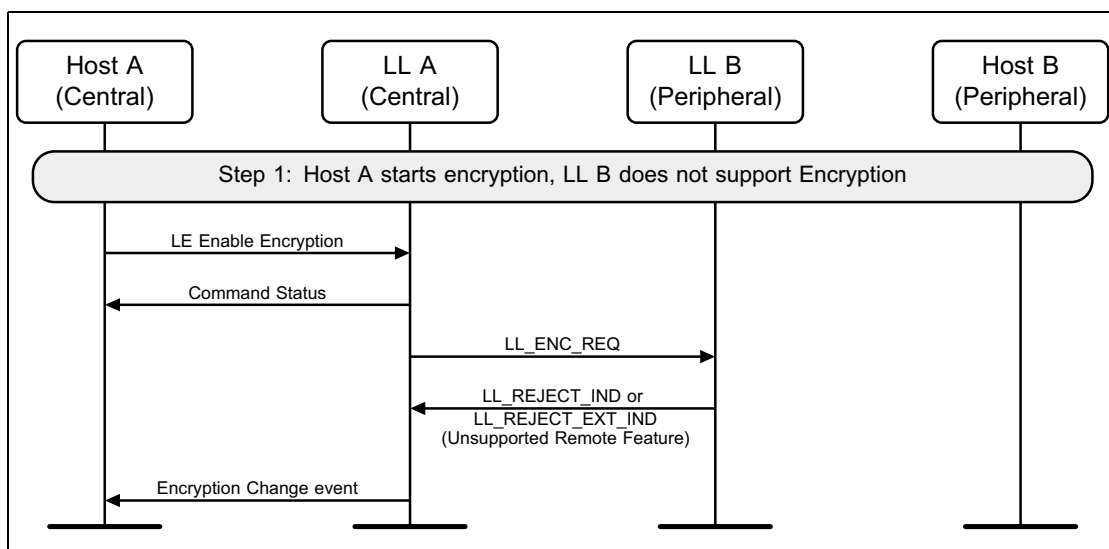


Figure 6.11: Start encryption failure when Peripheral does not support encryption



6.10 RESTART ENCRYPTION

If encryption has already been started on a connection, it may be restarted by the Central. This may be required to use a stronger encryption as negotiated by the Security Manager Protocol (see [Figure 6.12](#)).

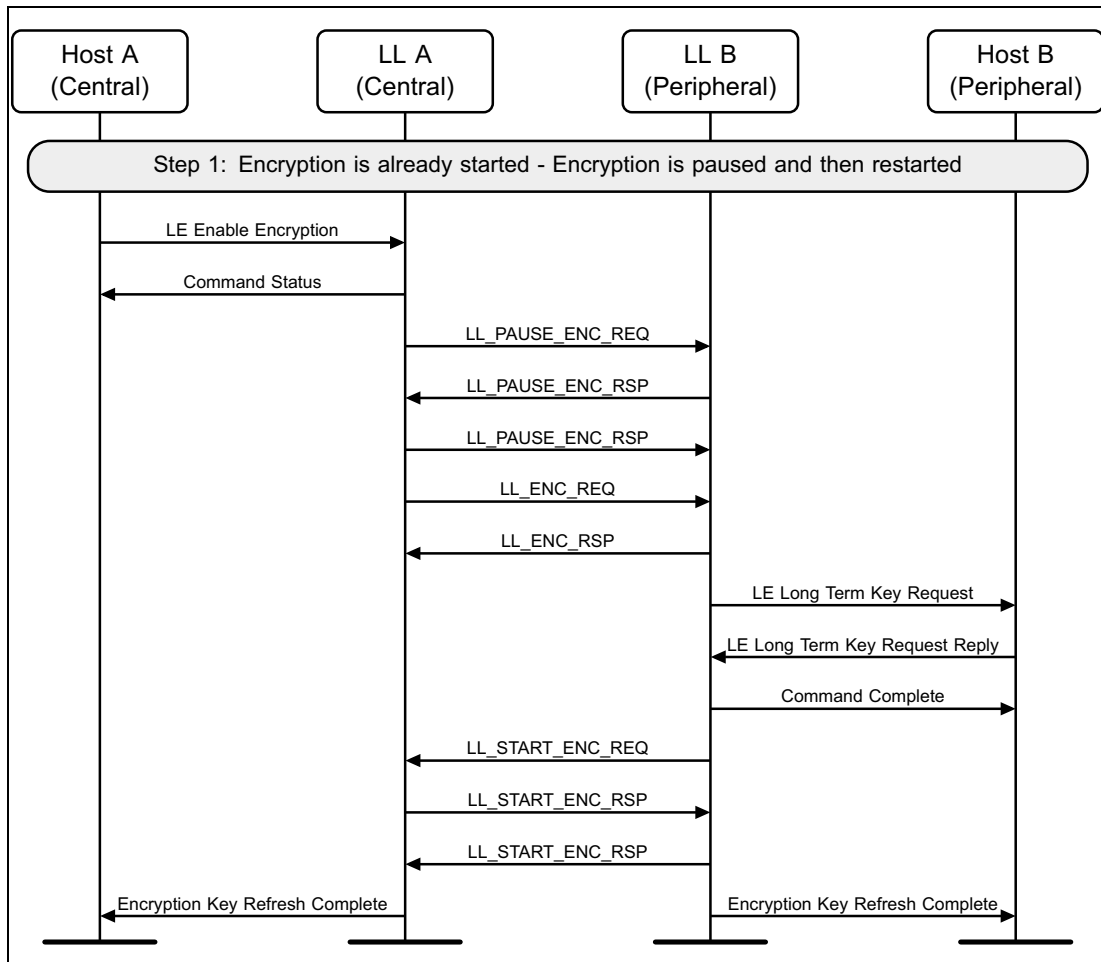


Figure 6.12: Restart encryption



6.11 DISCONNECT

Once a connection has no need to be kept active, the Host can disconnect it. This can be done by either device (see [Figure 6.13](#) and [Figure 6.14](#)).

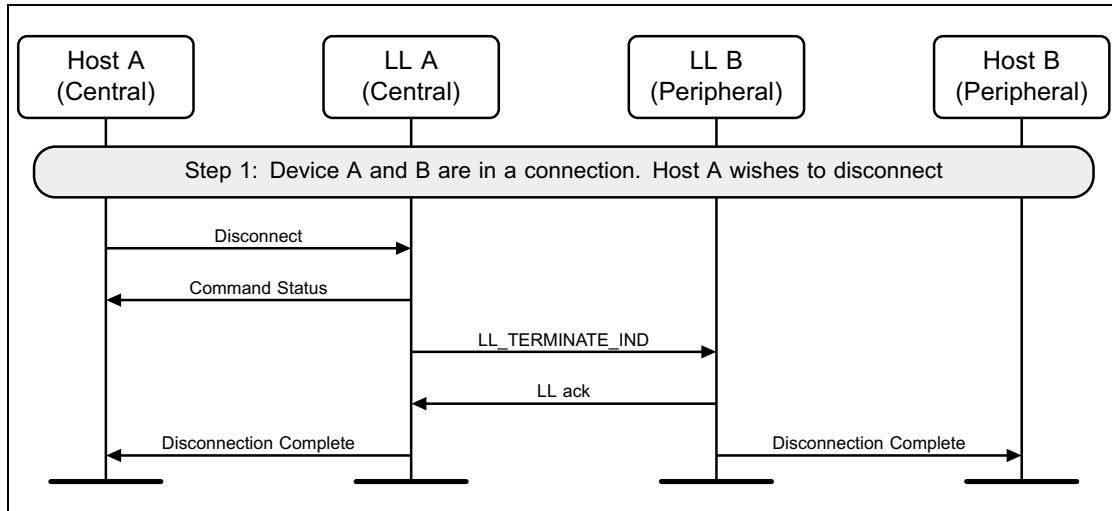


Figure 6.13: Disconnect from Central

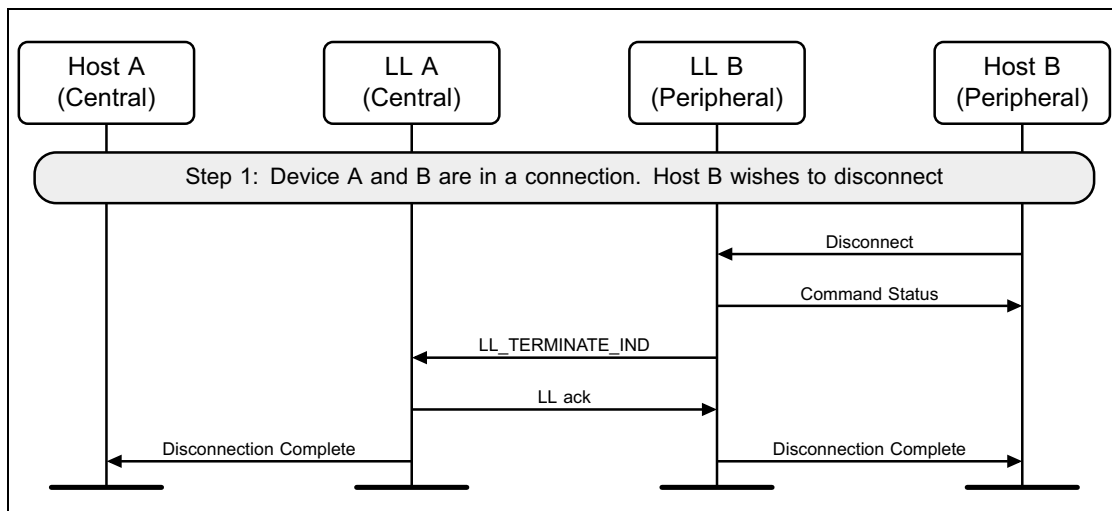


Figure 6.14: Disconnect from Peripheral



6.12 CONNECTION PARAMETERS REQUEST

The Central or the Peripheral of the connection may request change in connection parameters using a Link Layer control procedure (see [Figure 6.15](#) to [Figure 6.22](#)).

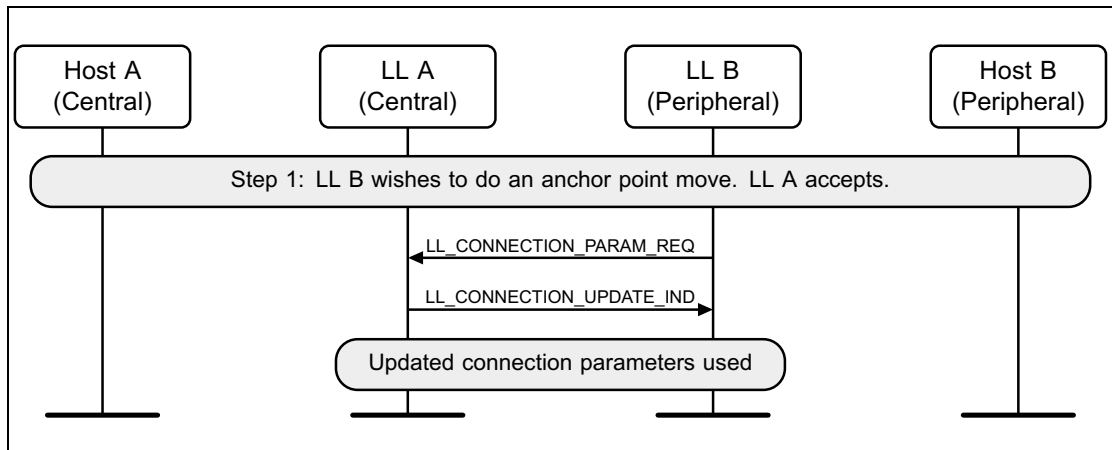


Figure 6.15: Peripheral-initiated Connection Parameters Request procedure – Peripheral requests a change in anchor points, Central accepts

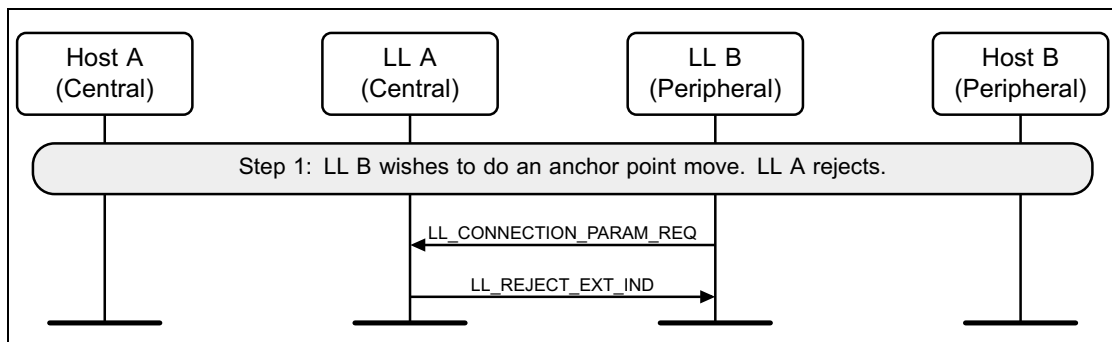


Figure 6.16: Peripheral-initiated Connection Parameters Request procedure – Peripheral requests a change in anchor points, Central rejects

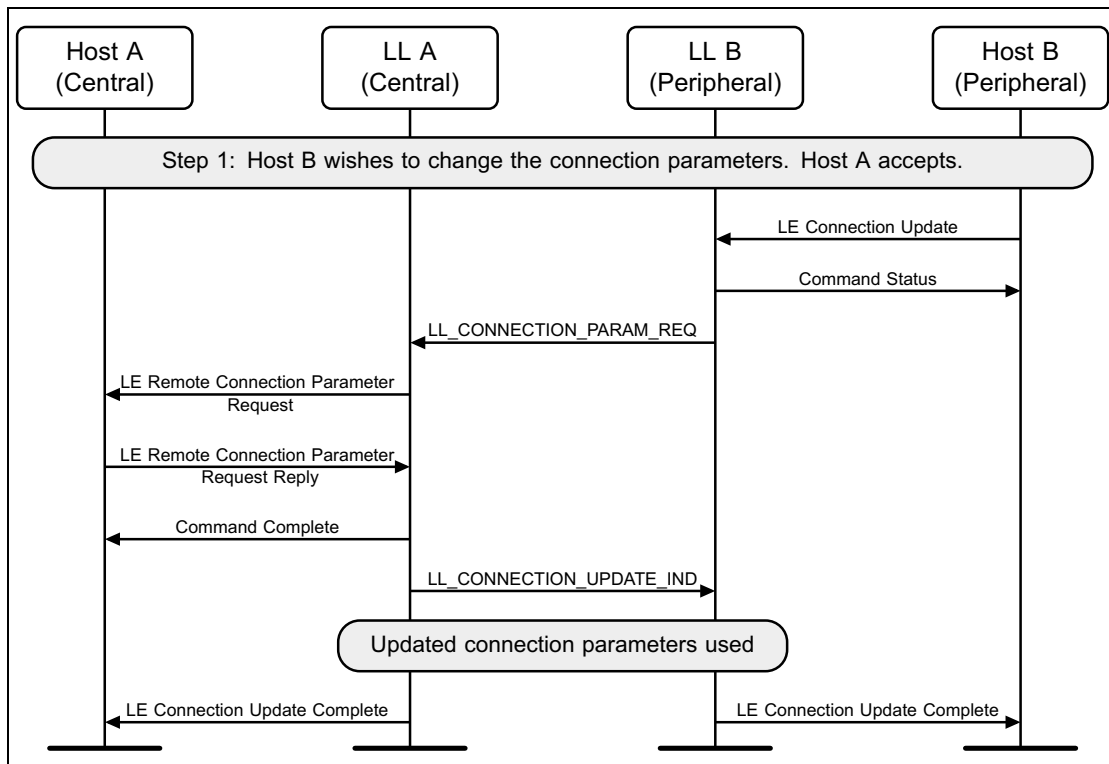


Figure 6.17: Peripheral-initiated Connection Parameters Request procedure – Peripheral requests change in LE connection parameters, Central's Host accepts

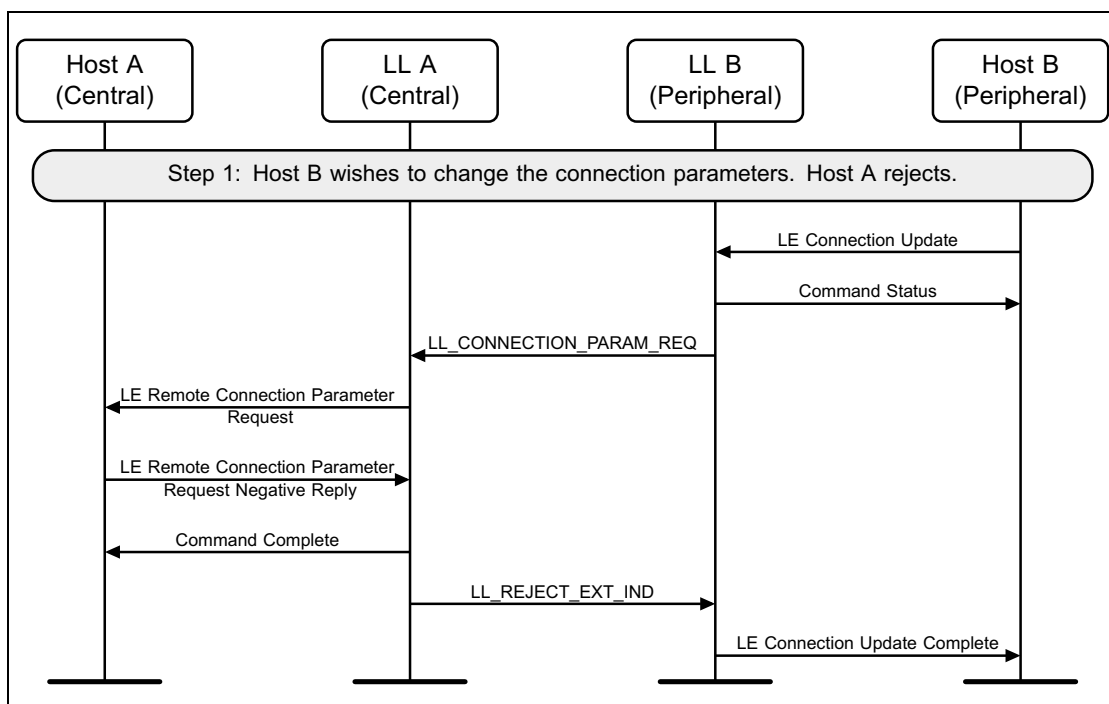


Figure 6.18: Peripheral-initiated Connection Parameters Request procedure – Peripheral requests change in LE connection parameters, Central's Host rejects

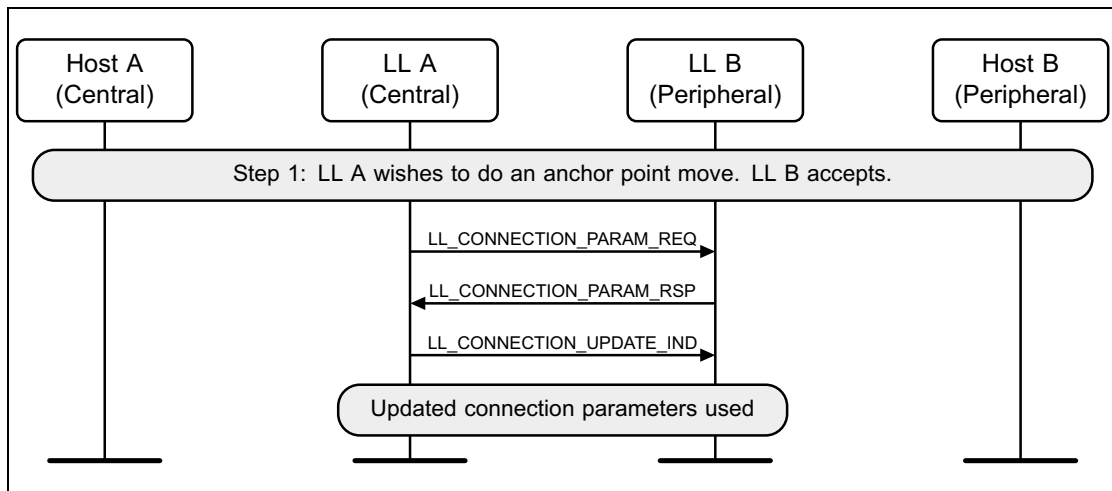


Figure 6.19: Central-initiated Connection Parameters Request procedure – Central requests a change in anchor points, Peripheral accepts

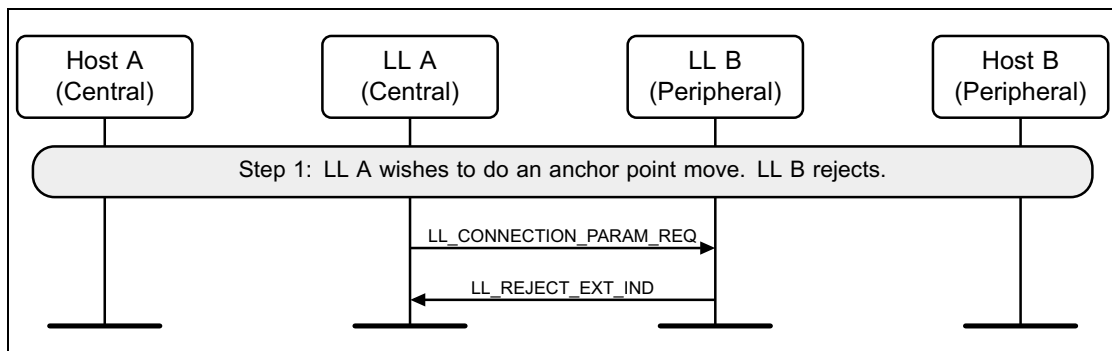


Figure 6.20: Central-initiated Connection Parameters Request procedure – Central requests a change in anchor points, Peripheral rejects

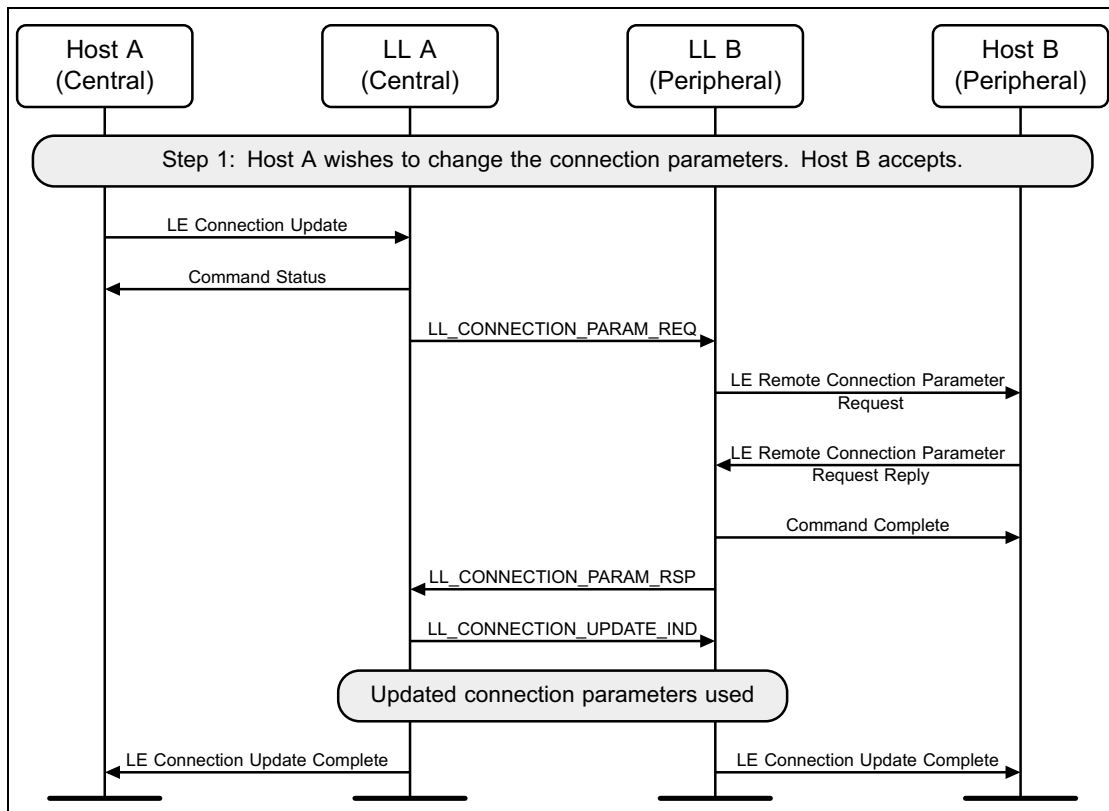


Figure 6.21: Central-initiated Connection Parameters Request procedure – Central requests change in LE connection parameters, Peripheral's Host accepts

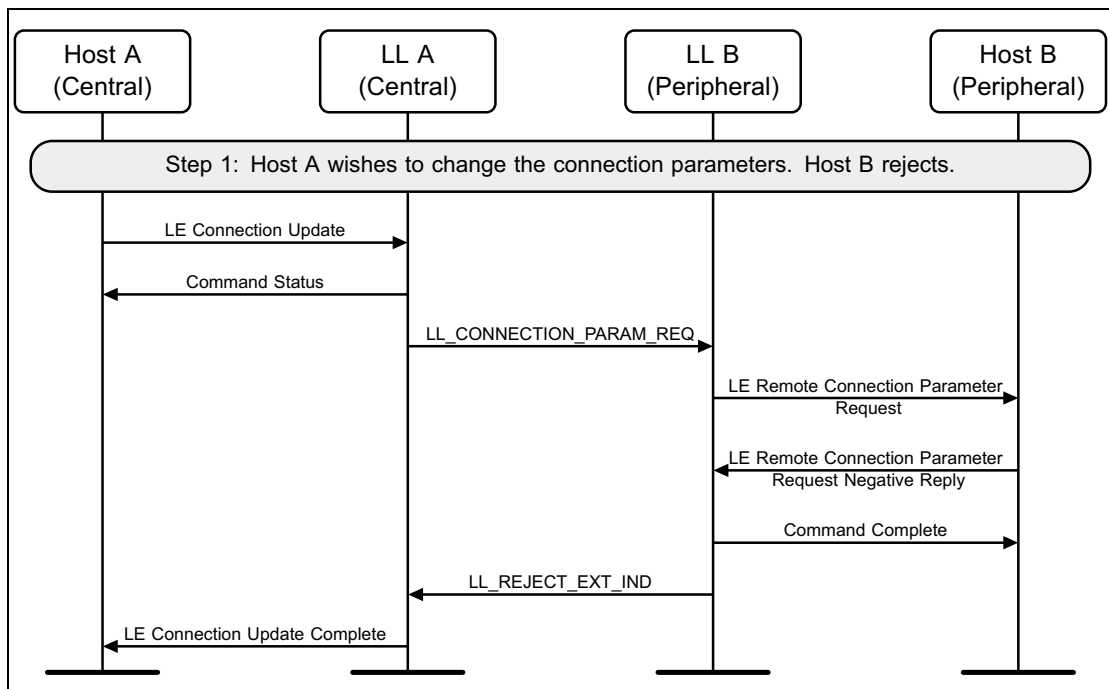


Figure 6.22: Central-initiated Connection Parameters Request procedure – Central requests change in LE connection parameters, Peripheral's Host rejects



6.13 LE PING

A Host may use the HCI_Write_Authenticated_Payload_Timeout command to change the maximum interval between packets containing a valid MIC that the Link Layer will enforce when encryption is used.

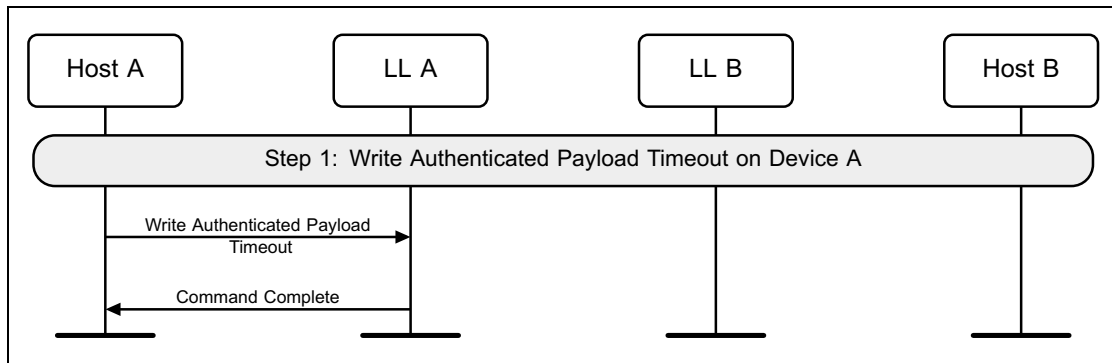


Figure 6.23: Set LE authenticated payload timeout

Either Link Layer can authenticate the remote device using the LE Ping procedure even if the remote device does not support the LE Ping feature. This procedure can also be used for soliciting a packet from the remote device containing a valid MIC. LL A may be a Central or a Peripheral.

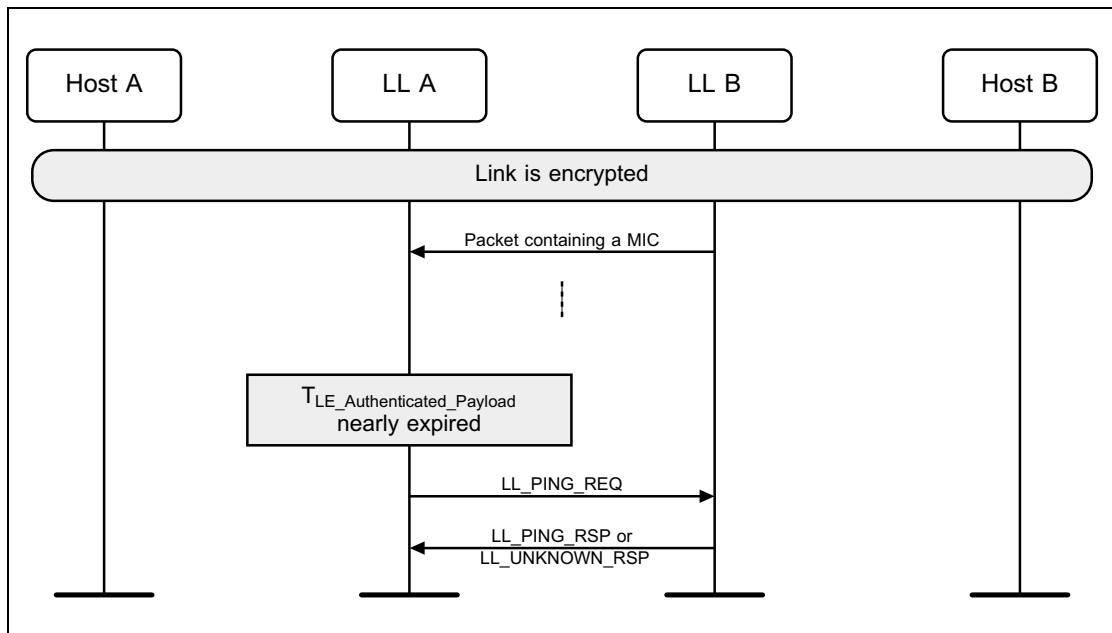


Figure 6.24: Successful LE Ping



When a packet with a valid MIC has not been received within the LE Authenticated Payload Timeout, the Host is notified that the timer has expired.

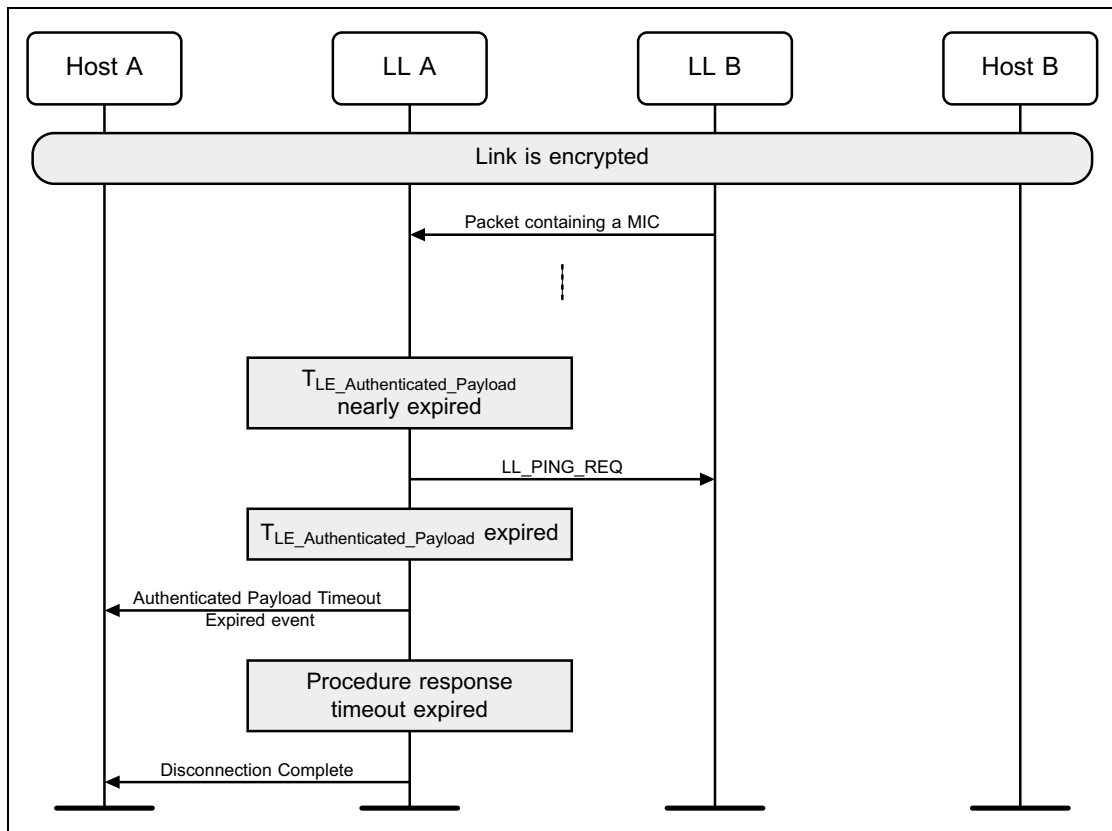


Figure 6.25: Unsuccessful LE Ping



The $T_{LE_Authenticated_Payload}$ Timer gets reset when the Host sets the Authenticated Payload Timeout.

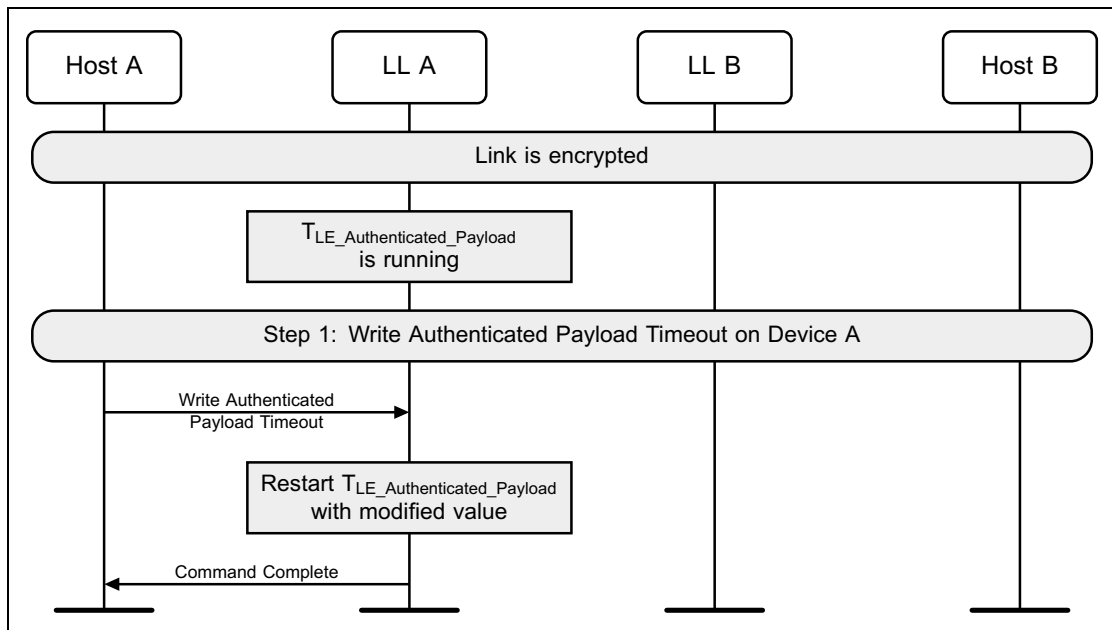


Figure 6.26: $T_{LE_Authenticated_Payload}$ Timer reset

6.14 DATA LENGTH UPDATE

Once a connection has been created, the Host may suggest maximum transmission packet size and maximum packet transmission time to be used for the connection. This may be done on either the Central or the Peripheral.

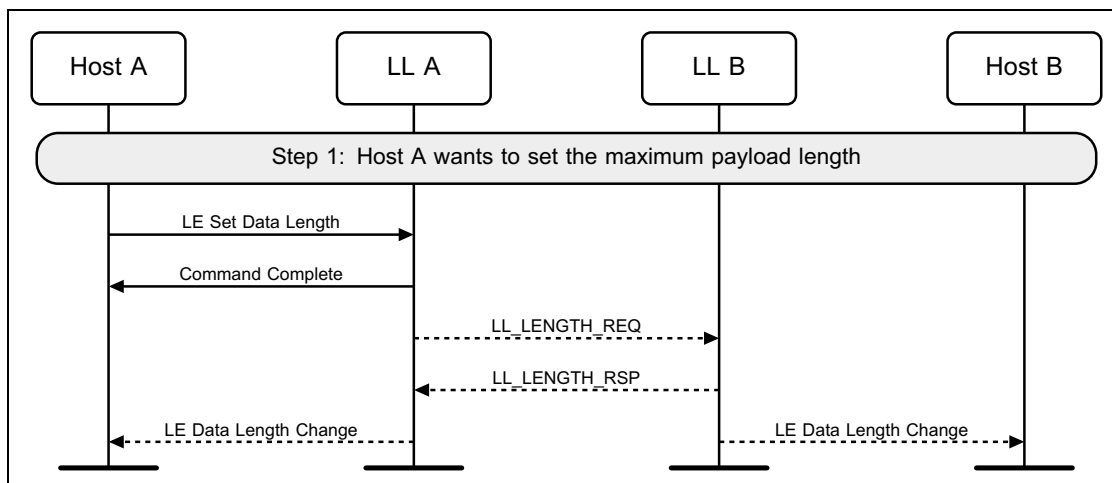


Figure 6.27: Data length update

6.15 PHY UPDATE

The Central or Peripheral of the connection may request a change in the PHY using a Link Layer control procedure (see [Figure 6.28](#) to [Figure 6.36](#)).



The sequence of events shown in [Figure 6.30](#) and [Figure 6.33](#) can only happen before feature exchange and can only happen once per connection, because a Link Layer must not use a procedure that it knows the peer does not support as required by [\[Vol 6\] Part B, Section 4.6](#).

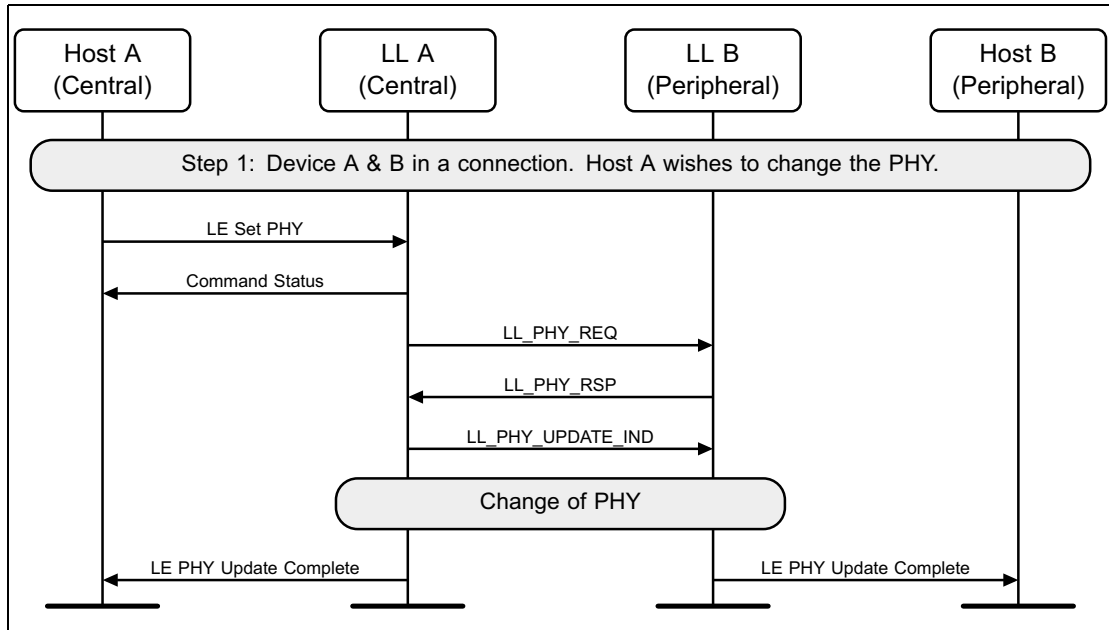


Figure 6.28: Central-initiated PHY Update procedure – Central requests a change of PHY, PHY changed in at least one direction

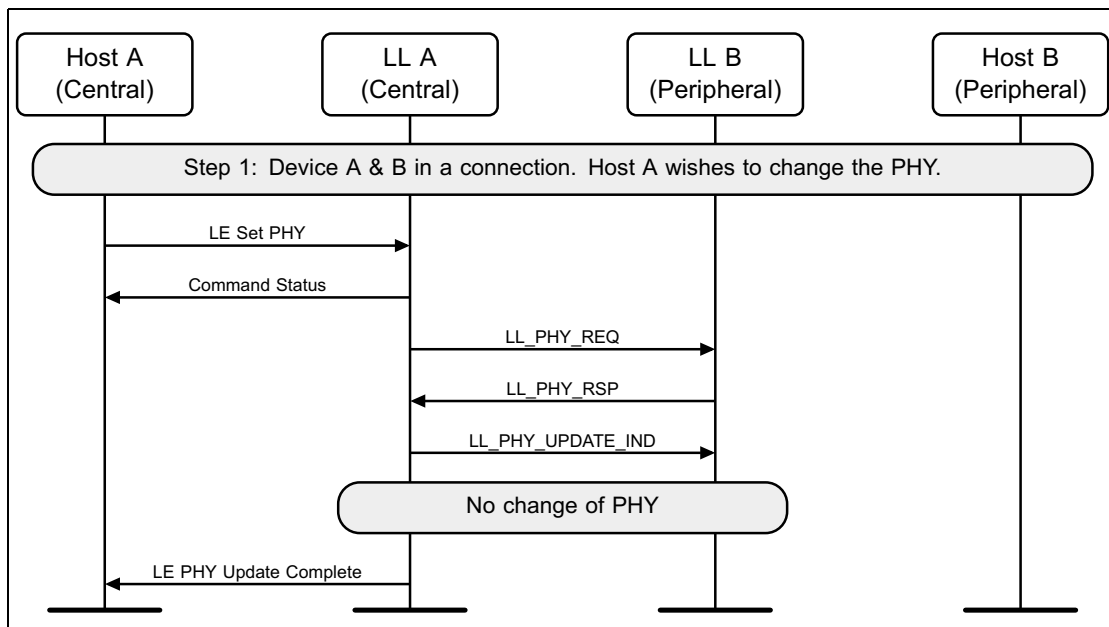


Figure 6.29: Central-initiated PHY Update procedure – PHY not changed (either because Peripheral doesn't specify PHYs that the Central prefers, or because the Central concludes that the current PHYs are still best)

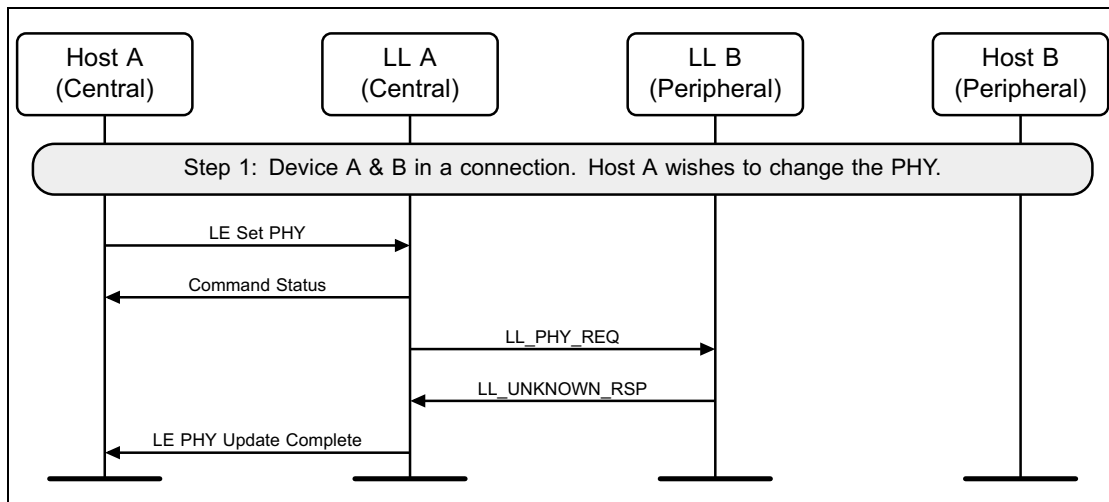


Figure 6.30: Central-initiated PHY Update procedure – Central requests a change of PHY, Peripheral does not support the feature

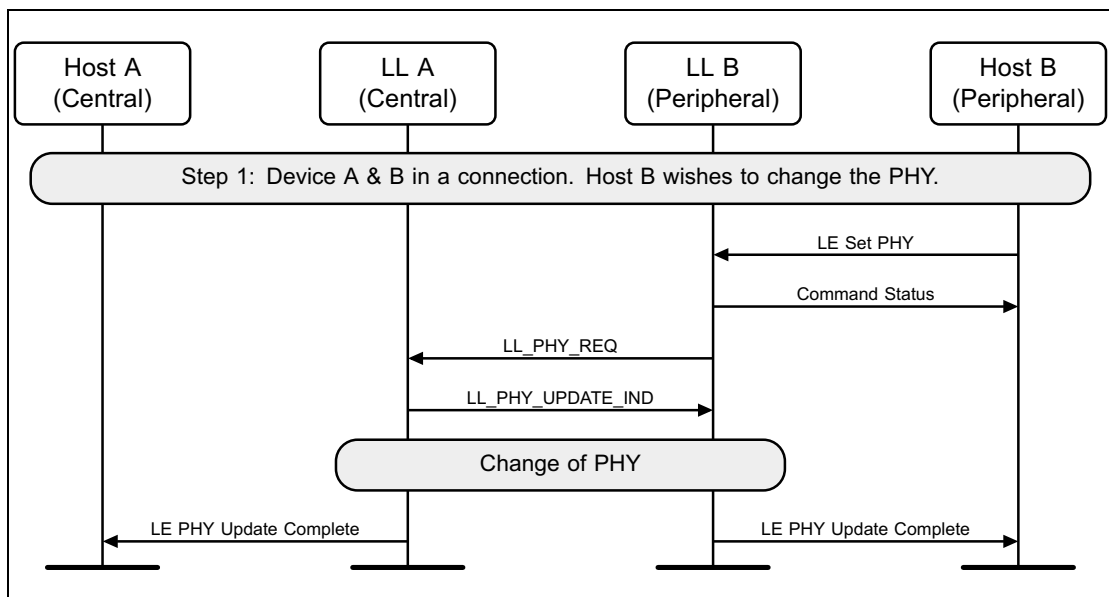


Figure 6.31: Peripheral-initiated PHY Update procedure – Peripheral requests a change of PHY, PHY changed in at least one direction

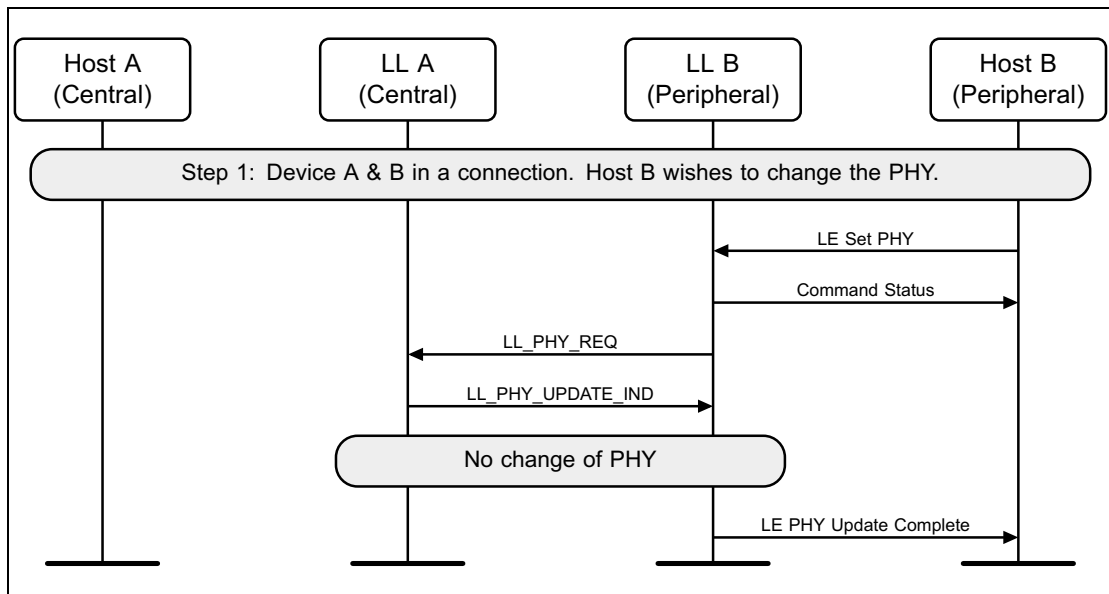


Figure 6.32: Peripheral-initiated PHY Update procedure – PHY not changed (either because Peripheral doesn't specify PHYs that the Central prefers, or because the Central concludes that the current PHYs are still best)

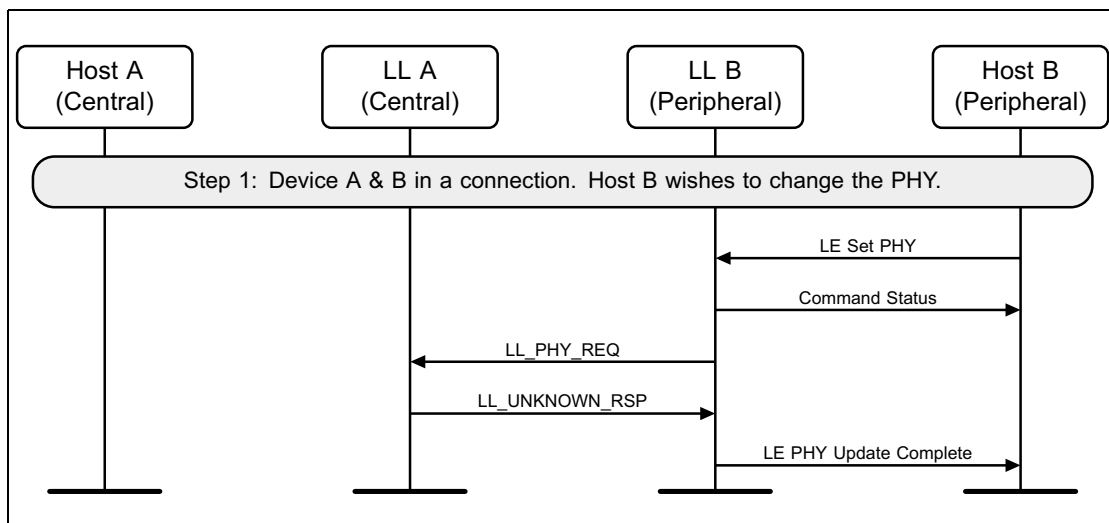


Figure 6.33: Peripheral-initiated PHY Update procedure – Peripheral requests a change of PHY, Central does not support the feature

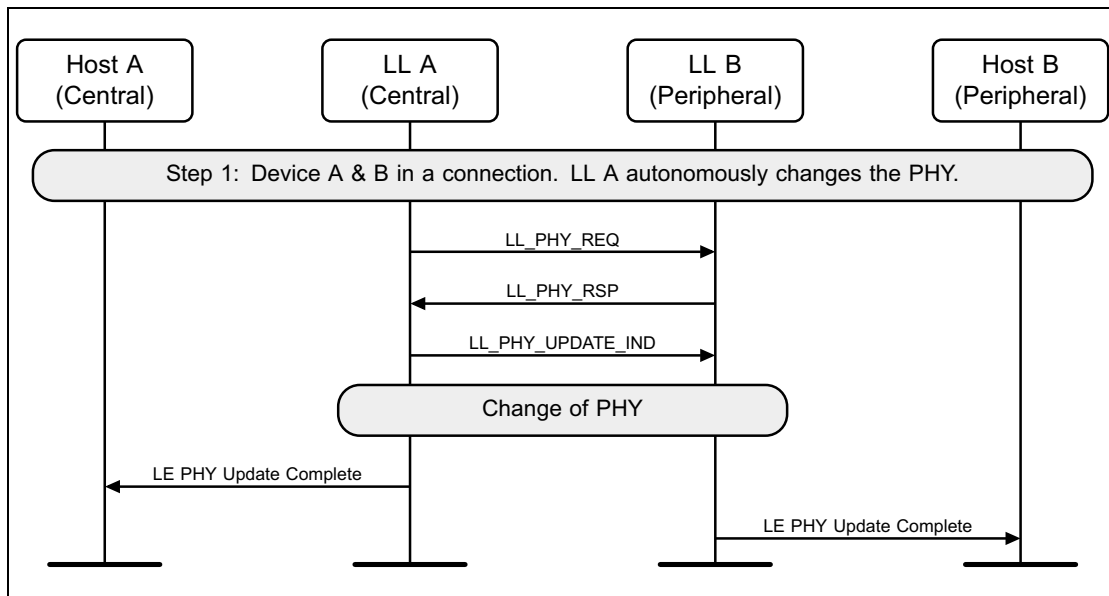


Figure 6.34: Autonomous Central-initiated PHY Update procedure – Central requests a change of PHY, Peripheral accepts, PHY changed in at least one direction

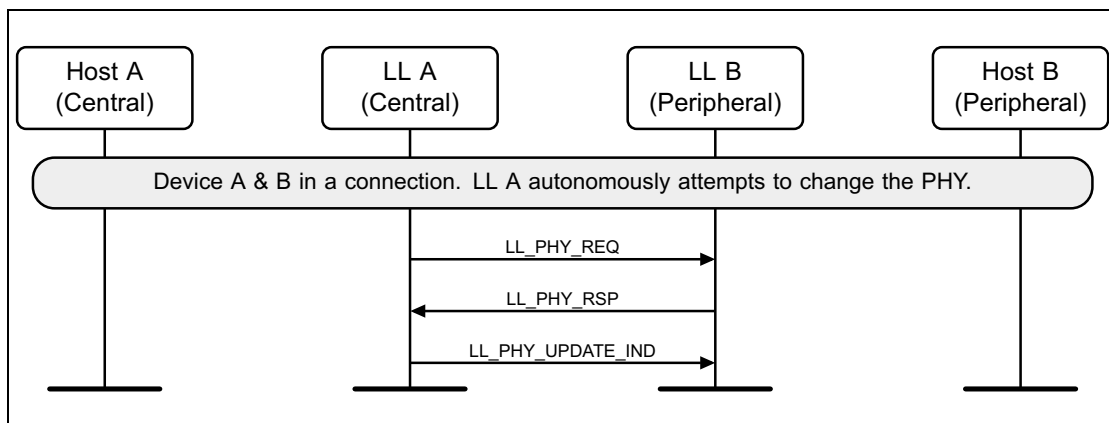


Figure 6.35: Autonomous Central-initiated PHY Update procedure – Central requests a change of PHY, PHY not changed (either because Peripheral doesn't specify PHYs that the Central prefers, or because the Central concludes that the current PHYs are still best)

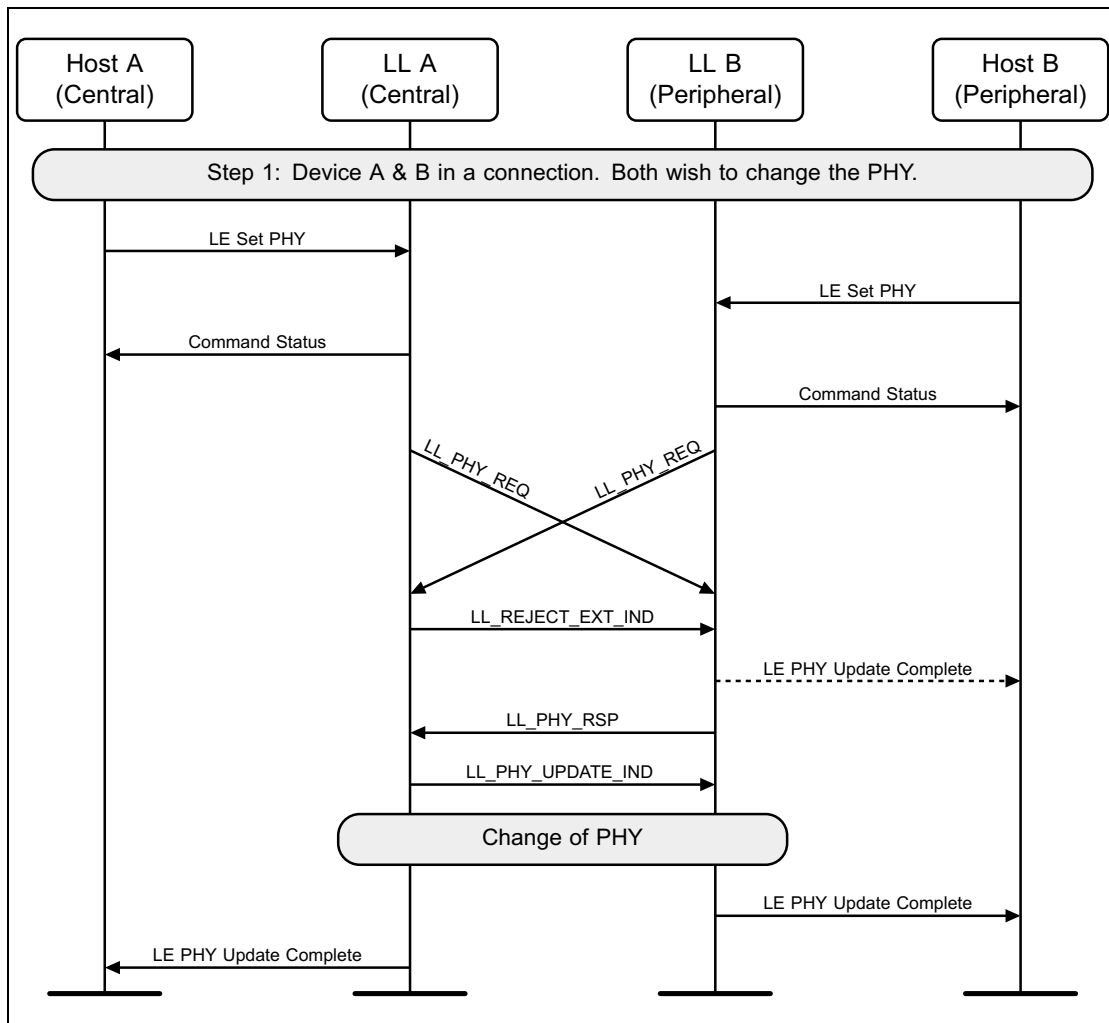


Figure 6.36: Central and Peripheral crossover PHY Update procedure – Central and Peripheral request a change of PHY concurrently



6.16 MINIMUM NUMBER OF USED CHANNELS REQUEST

Where a Peripheral supports the Minimum Number of Used Channels procedure, it can request that a certain minimum number of channels be used on the indicated PHY. The example shows a successful request, resulting in a channel map update with the requested minimum number of channels used for the connection.

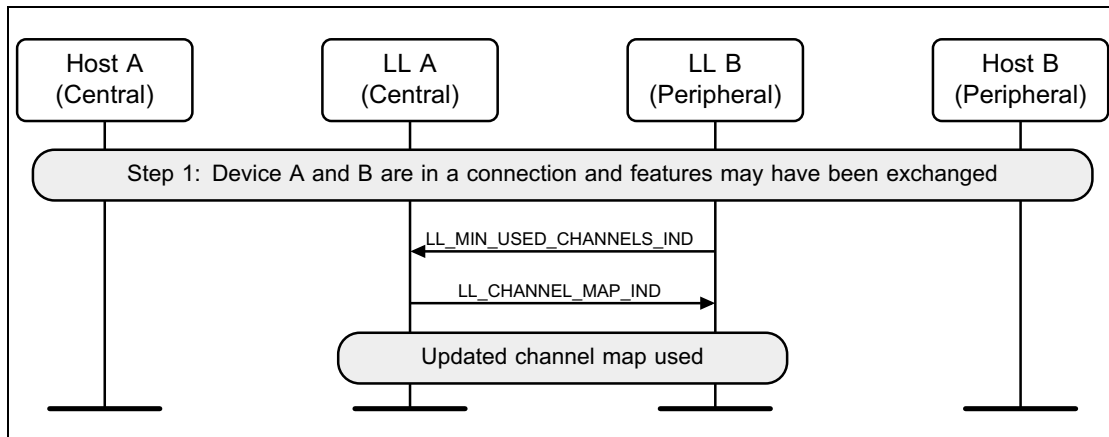


Figure 6.37: Requesting minimum number of used channels



6.17 LL PROCEDURE COLLISION

The Link Layers of both the Central and Peripheral may initiate the same LL procedure at the same time.

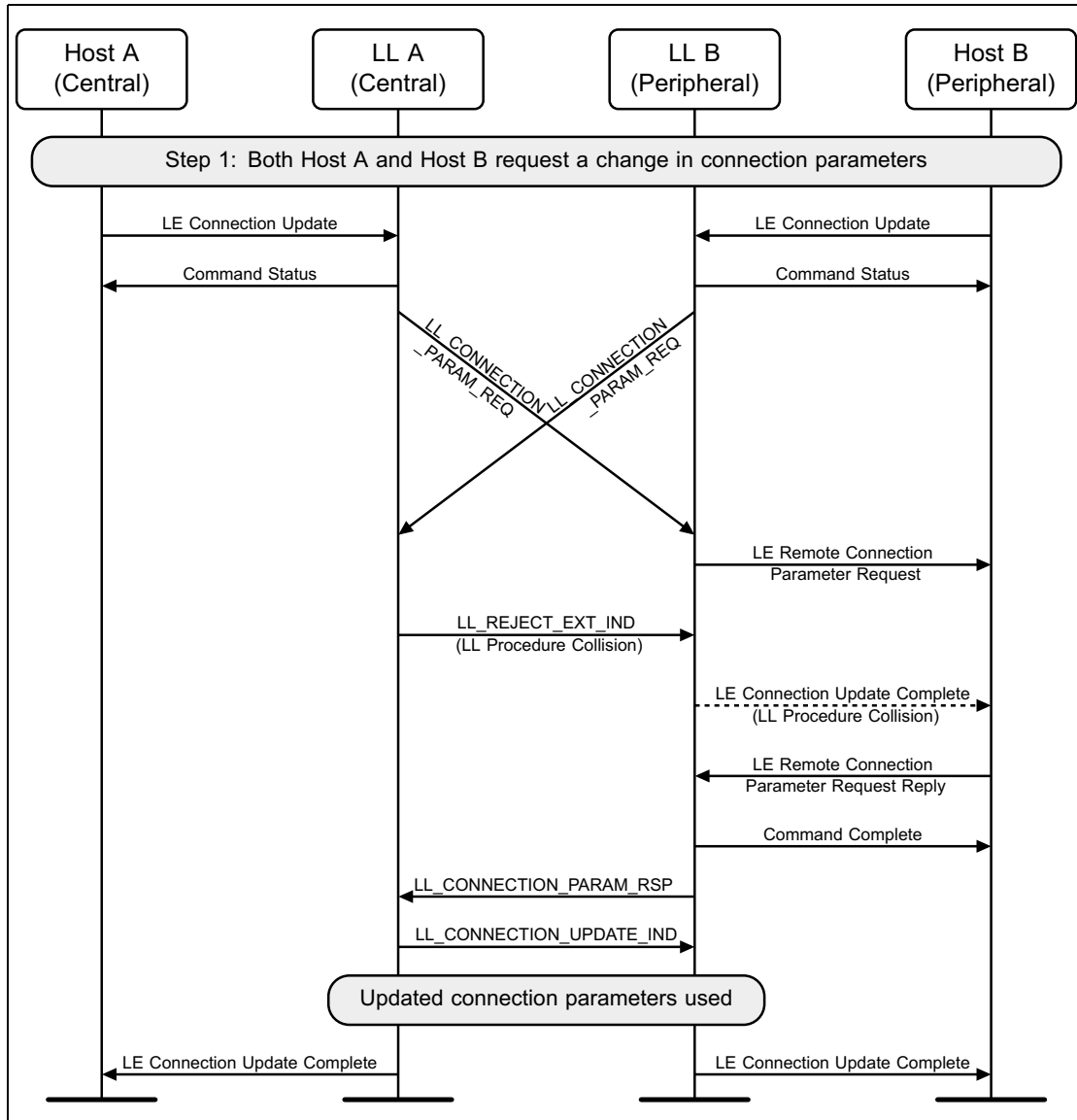


Figure 6.38: LL procedure collision

6.18 CONSTANT TONE EXTENSION REQUEST

The Central or Peripheral of the connection may request the remote device to send an LL_CTE_RSP PDU with a Constant Tone Extension (see Figure 6.39 to Figure 6.41).



The sequence of events shown in figure 6.40 can only happen before feature exchange and can only happen once per connection, because a Link Layer must not use a procedure that it knows the peer does not support as required by [Vol 6] Part B, Section 4.6.

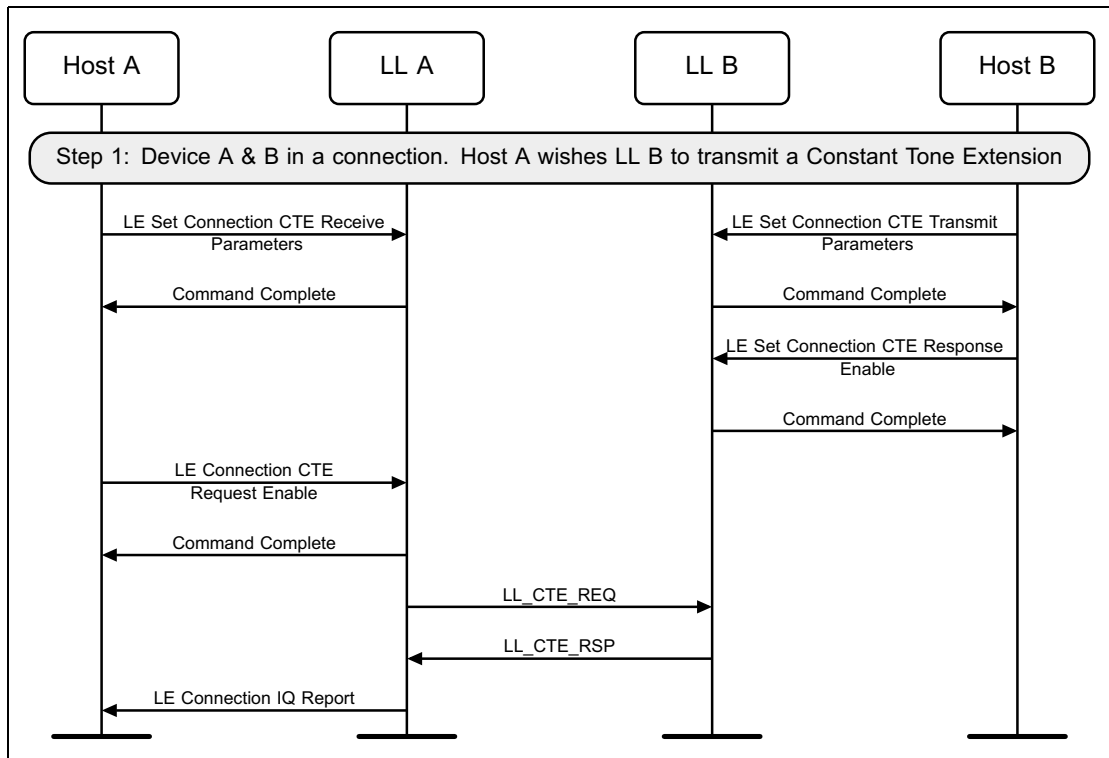


Figure 6.39: Central or Peripheral-initiated Constant Tone Extension Request procedure – remote device responds successfully

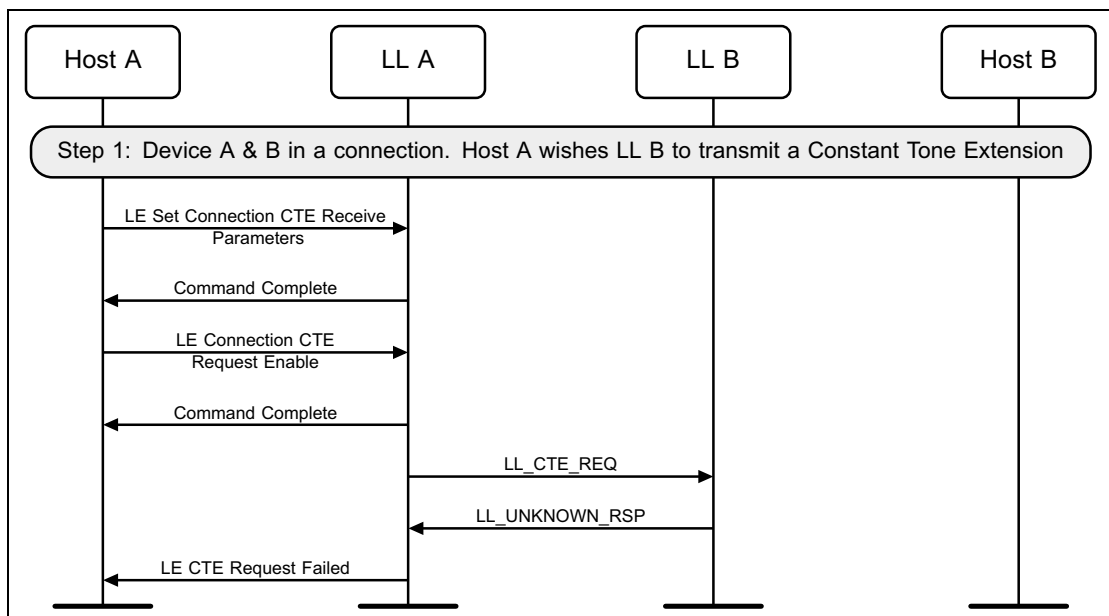


Figure 6.40: Central or Peripheral-initiated Constant Tone Extension Request procedure – remote device does not support the feature

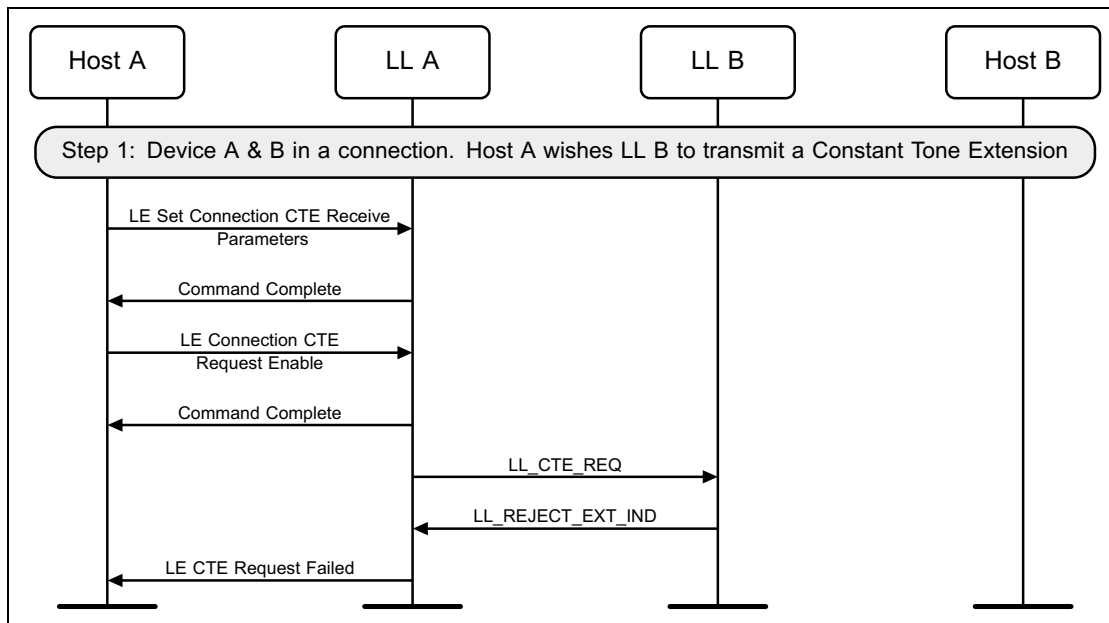


Figure 6.41: Central or Peripheral-initiated Constant Tone Extension Request procedure – remote device rejects



6.19 CONNECTED ISOCHRONOUS GROUP SETUP

A Central sets up a CIG with parameters for one or more CISes, then establishes a CIS with a Peripheral (see Figure 6.42).

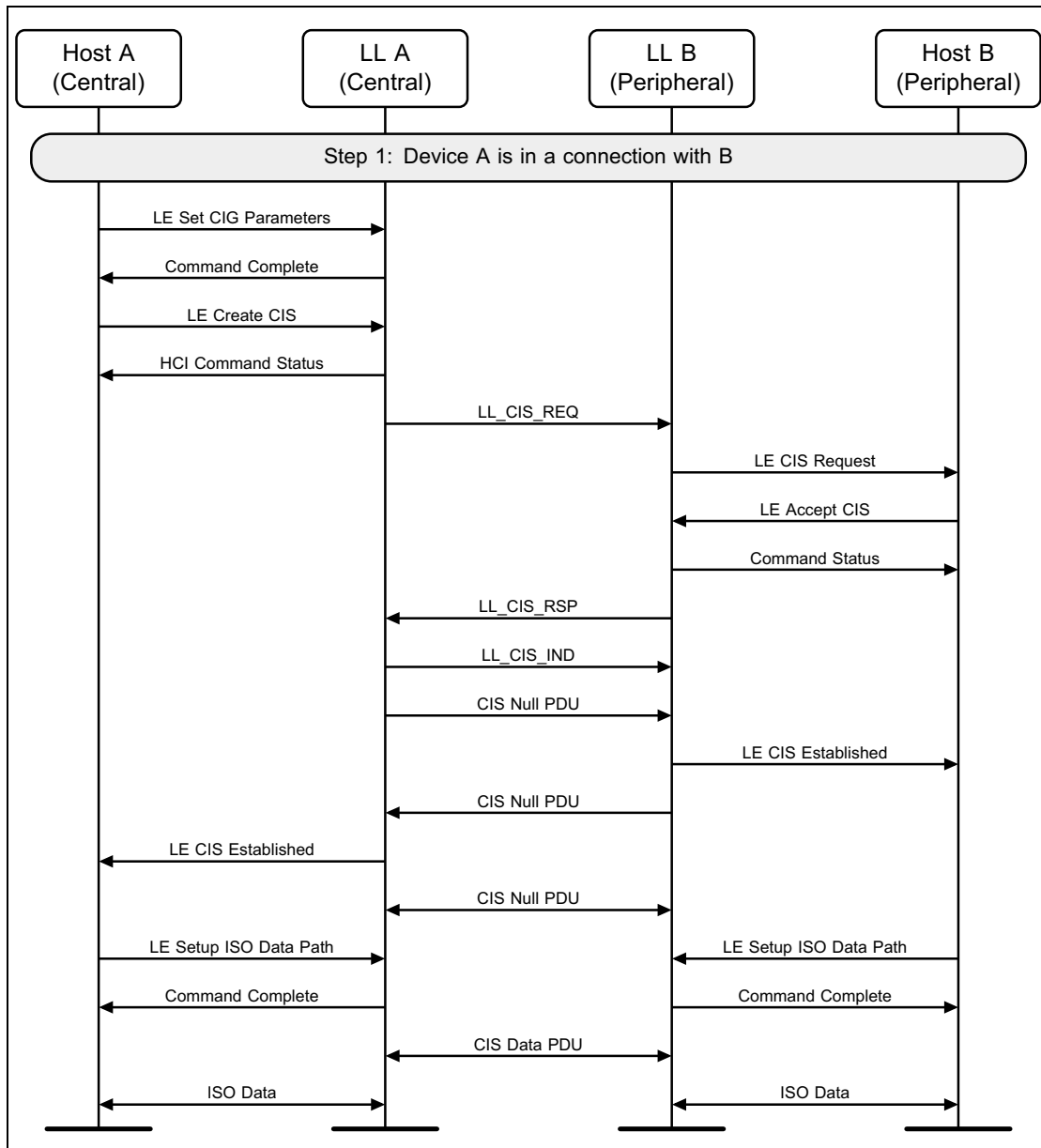


Figure 6.42: Device A establishes a CIS with a Peripheral



A Central sets up CIG parameters and establishes a CIS with two Peripherals (see Figure 6.43).

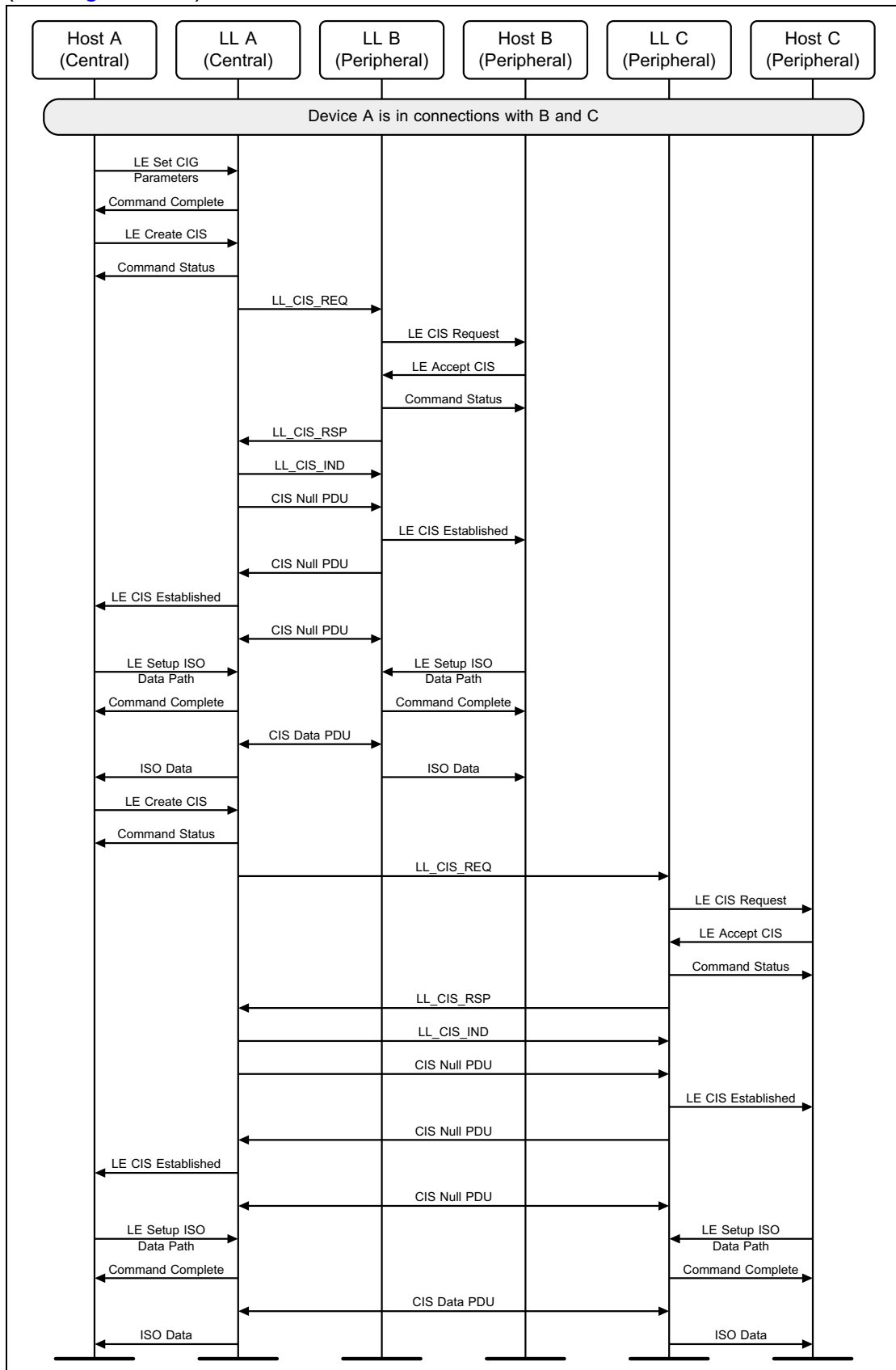


Figure 6.43: Device A establishes CISes with two Peripherals



6.20 HOST REJECTS CONNECTED ISOCHRONOUS STREAM

The Peripheral's Host rejects the request to establish a CIS with the Central (see Figure 6.44).

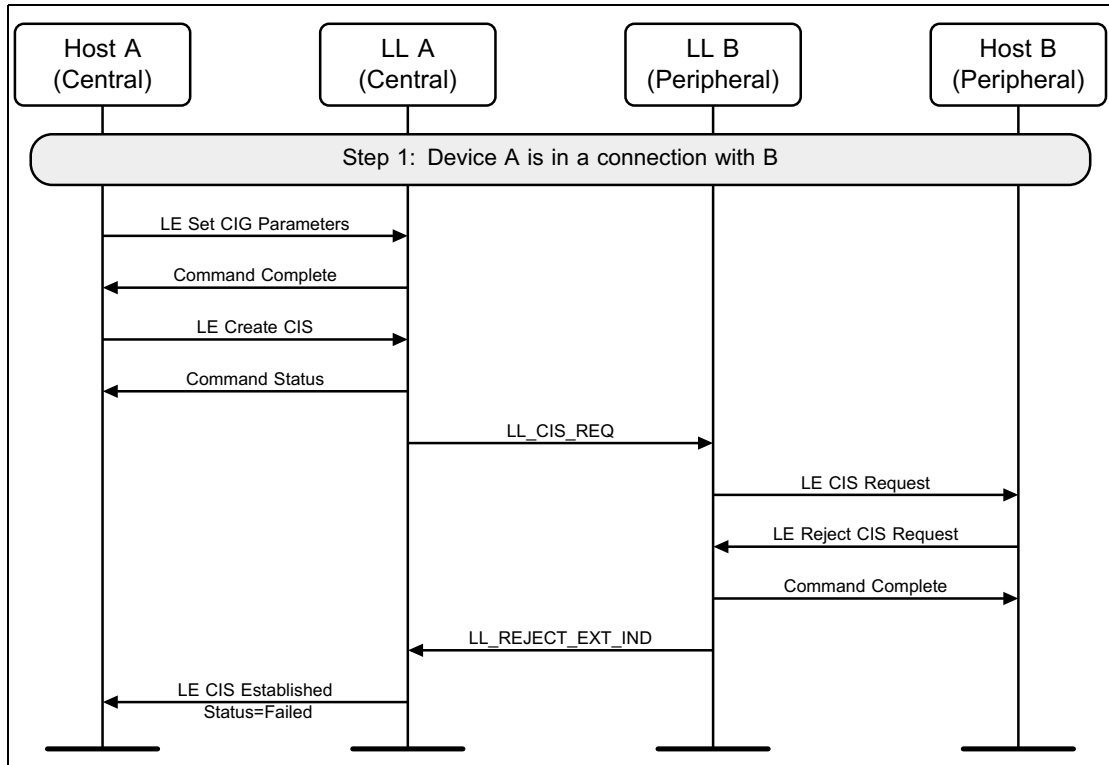


Figure 6.44: The Host in Device B rejects a CIS from Device A

Message Sequence Charts



While setting up CISes with two Peripherals, the Host of one of the Peripherals rejects the request to establish a CIS with the Central (see Figure 6.45).

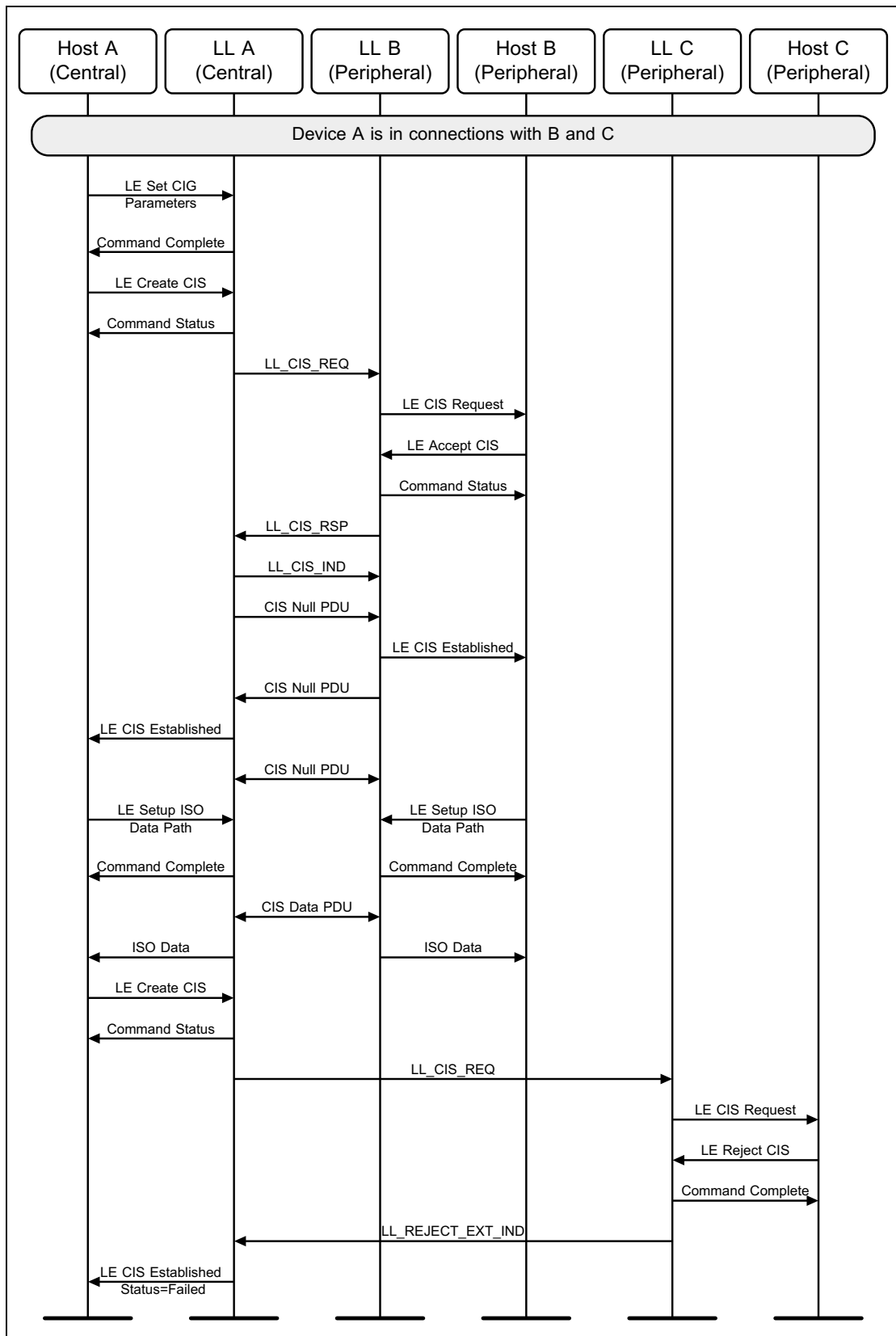


Figure 6.45: The Host in Device C rejects a CIS from Device A



6.21 LINK LAYER REJECTS CONNECTED ISOCHRONOUS STREAM

The Link Layer of the Peripheral rejects the request to establish a CIS with a Central (see [Figure 6.46](#)).

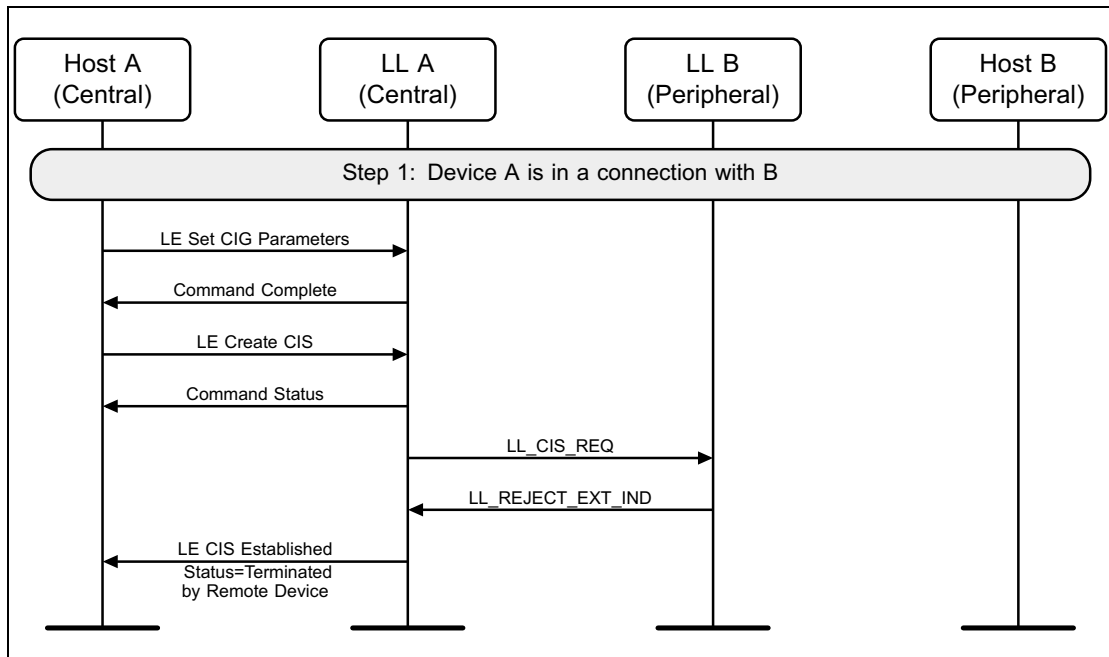


Figure 6.46: The Link Layer in Device B rejects a CIS request from Device A

Message Sequence Charts



While setting up CISes with two Peripherals, the Link Layer of one of the Peripherals rejects the request to establish a CIS with the Central (see [Figure 6.47](#)).



Figure 6.47: The Link Layer in Device C rejects a CIS from Device A



6.22 LINK LAYER REJECTS CONNECTED ISOCHRONOUS STREAM

The Link Layer of the Central rejects the request to create a CIS (see [Figure 6.48](#)).

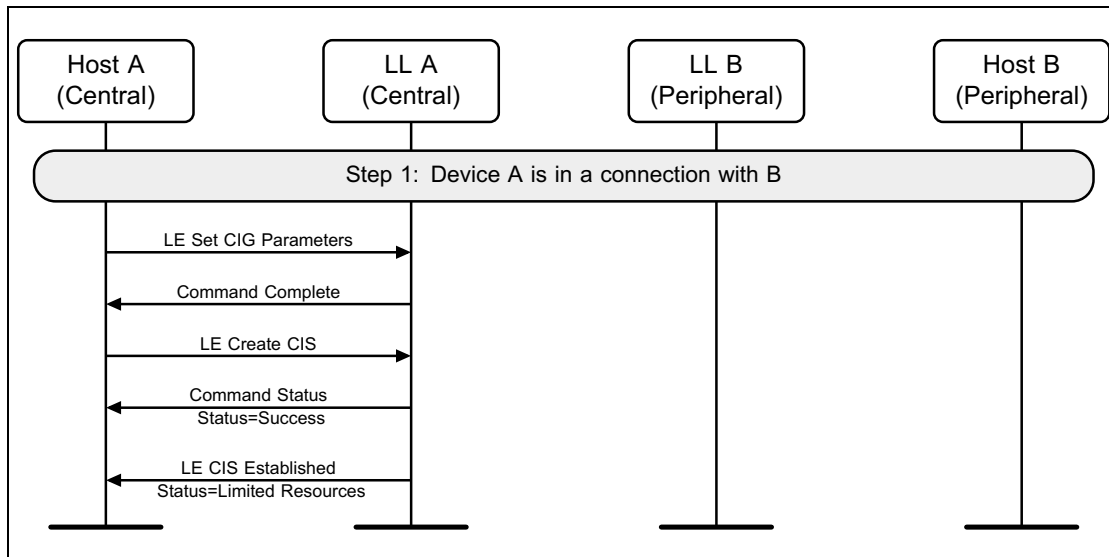


Figure 6.48: Link Layer in Device A rejects a request to create a CIS

6.23 HOST A TERMINATES CONNECTED ISOCHRONOUS STREAM

The Host of the Central terminates a Connected Isochronous Stream (see [Figure 6.49](#)). Either A or B can be the Central.

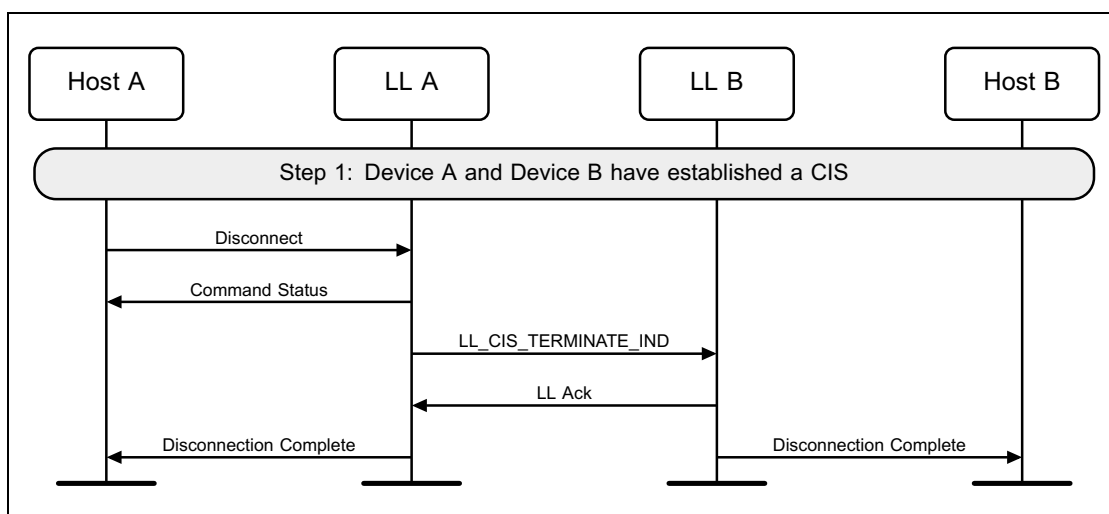


Figure 6.49: Device A terminates an established CIS



The Host of device A, which is the Central, terminates a Connected Isochronous Stream either before the Link Layer starts creating that CIS (see [Figure 6.50](#)) or during the creation process (see [Figure 6.51](#)).

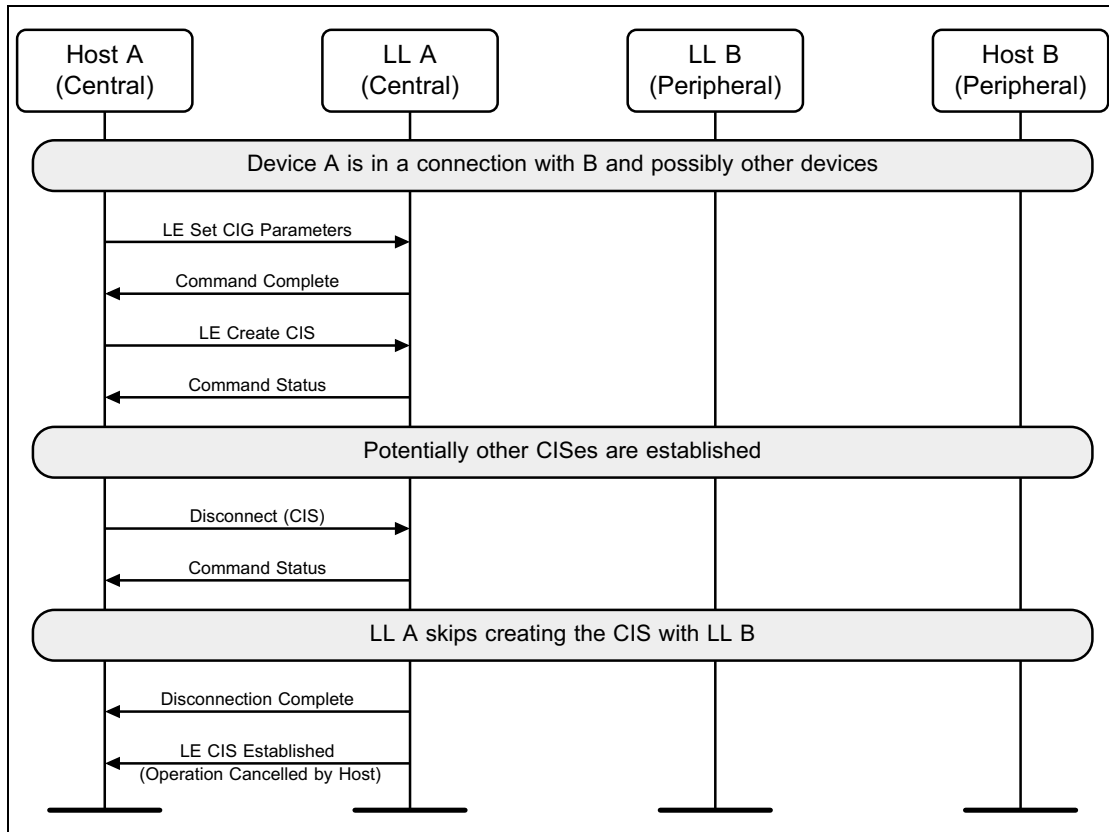


Figure 6.50: Device A terminates a CIS before the Link Layer starts creating it

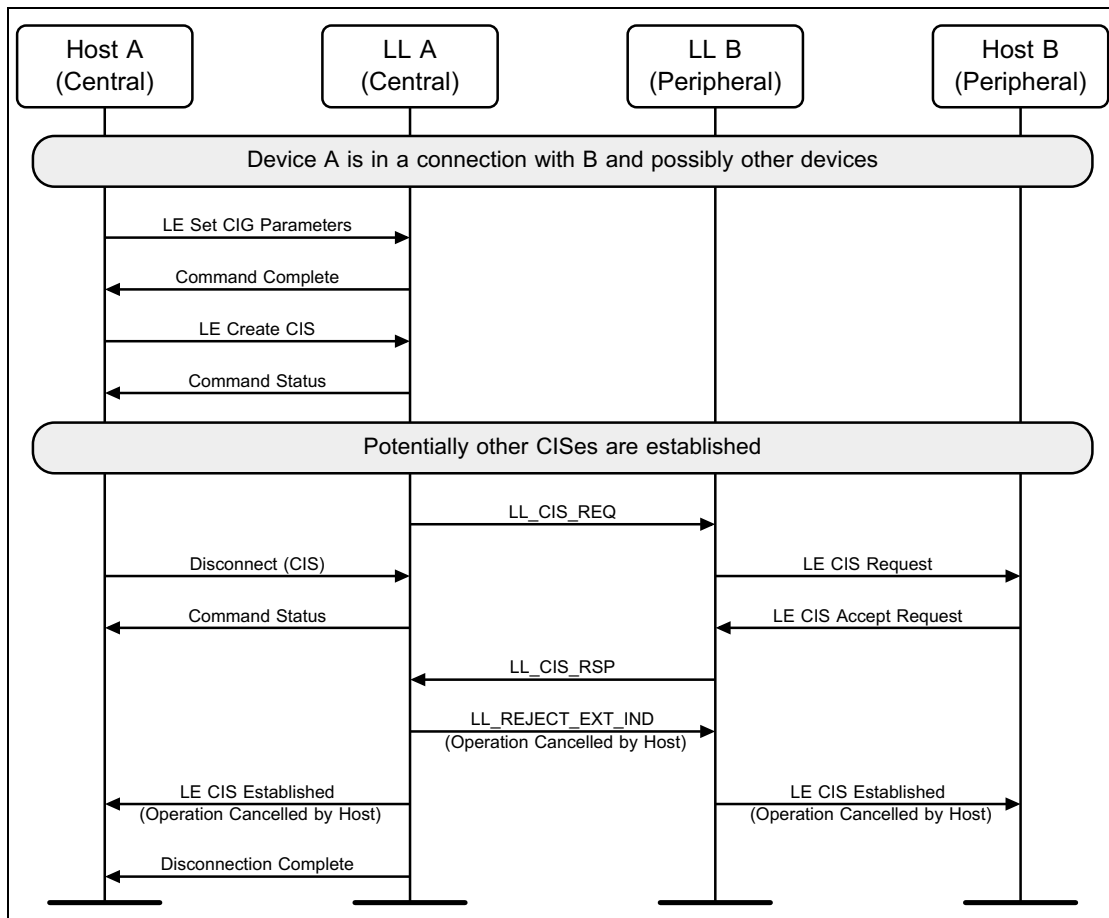


Figure 6.51: Device A terminates a CIS during the creation process

6.24 ACL DISCONNECTED

The disconnection of the ACL causes the disconnections of CISes (see [Figure 6.52](#)).

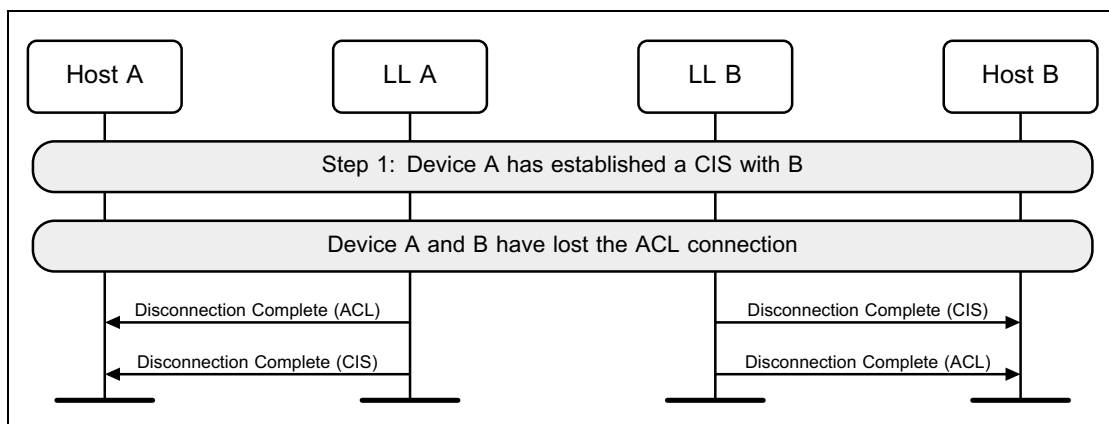


Figure 6.52: ACL connection Terminated



6.25 HOST A REMOVES CONNECTED ISOCHRONOUS GROUP

A Host of the Central terminates the CIS and removes the CIG from the Link Layer (see [Figure 6.53](#)).

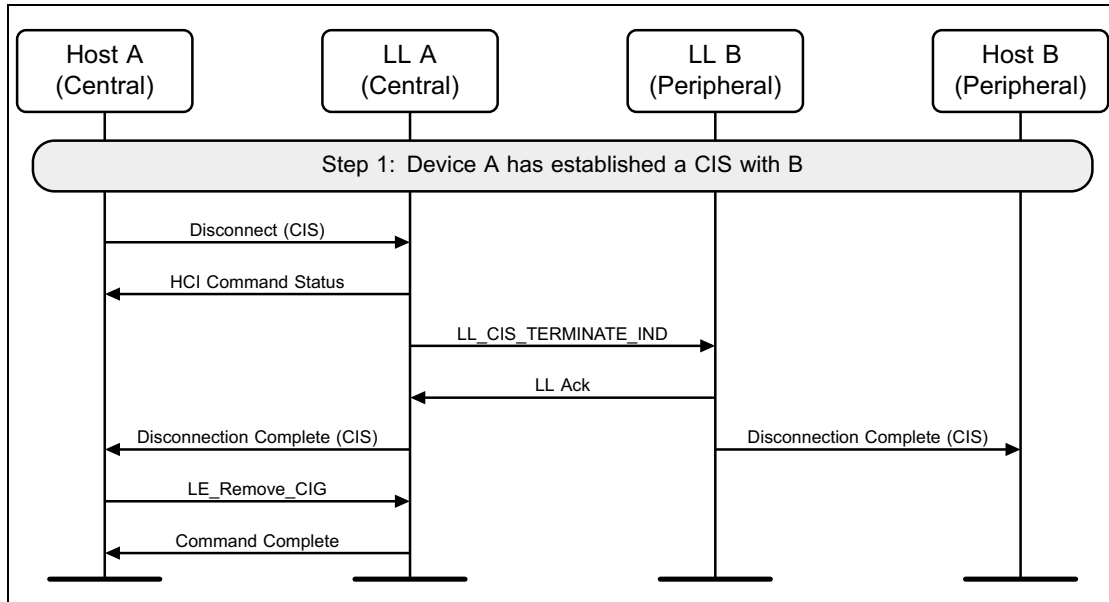


Figure 6.53: Device A terminates a CIS and removes a CIG

Message Sequence Charts



The Host of the Central terminates both the CISes in the CIG and removes the CIG from the Controller (see [Figure 6.54](#)).

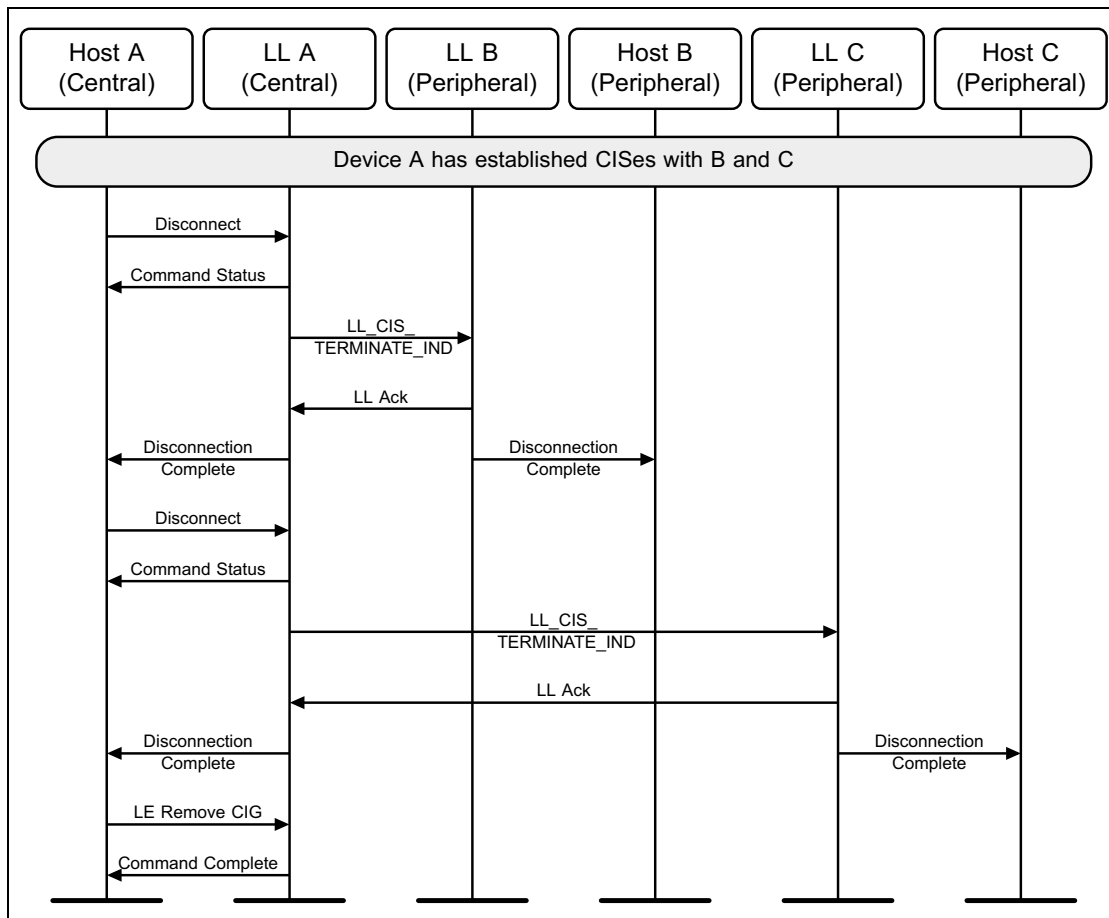


Figure 6.54: Device A terminates both CISes and removes the CIG



6.26 REQUEST SLEEP CLOCK ACCURACY

Either device can initiate a Sleep Clock Accuracy Update procedure to query the sleep clock accuracy of the peer device (see [Figure 6.55](#)).

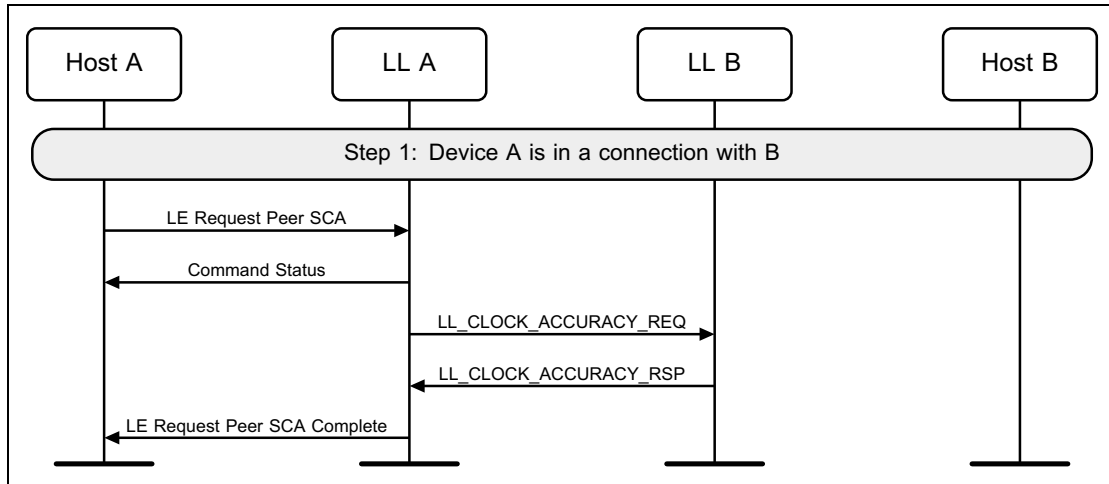


Figure 6.55: Device A requests SCA from Device B

6.27 POWER CONTROL

Either device can initiate a Power Control Request procedure to request the peer device to adjust its transmit power level (see [Figure 6.56](#)).

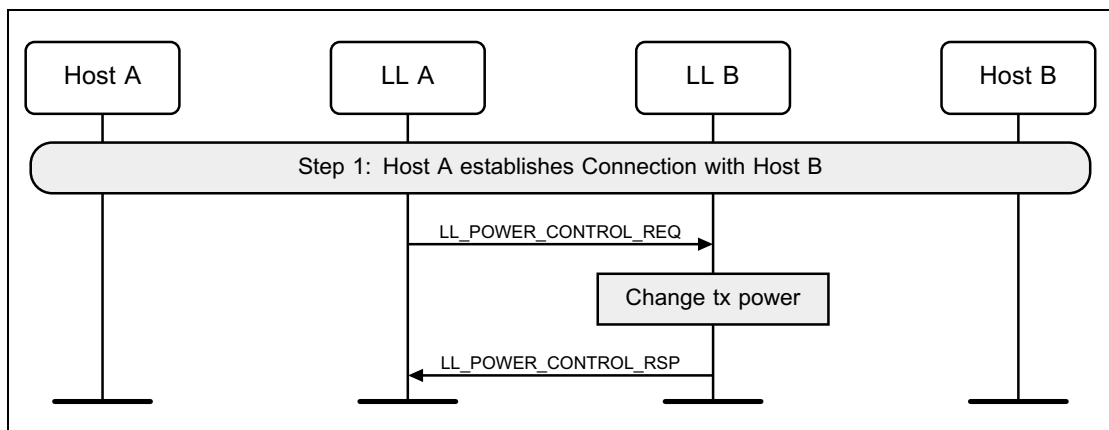


Figure 6.56: Power Control Request procedure to request remote transmit power update



Either device can use the Power Control Request procedure to query the Acceptable Power Reduction (APR) value from the peer device and adjust its transmit power based on the response (see [Figure 6.57](#)).

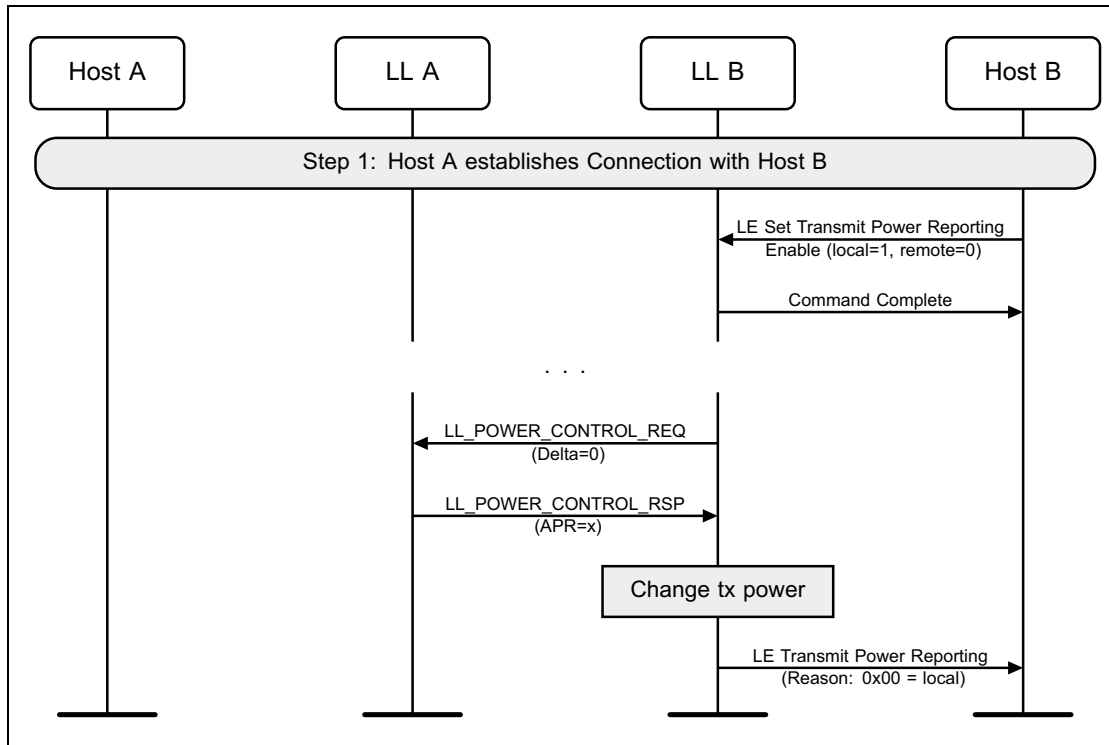


Figure 6.57: Power Control Request procedure to query Acceptable Power Reduction (APR) and transmitter Update

When the Host issues a command to enable reporting of remote power level changes, the Controller may initiate a Power Control Request procedure to request the remote device to start power level management (see [\[Vol 6\] Part B, Section 4.5.15](#)). When the remote Controller changes its transmit power level, it sends an indication to the peer device (see [Figure 6.58](#)). If reporting of



remote transmit power level changes is enabled, the Controller sends an LE Transmit Power Reporting event to the Host.

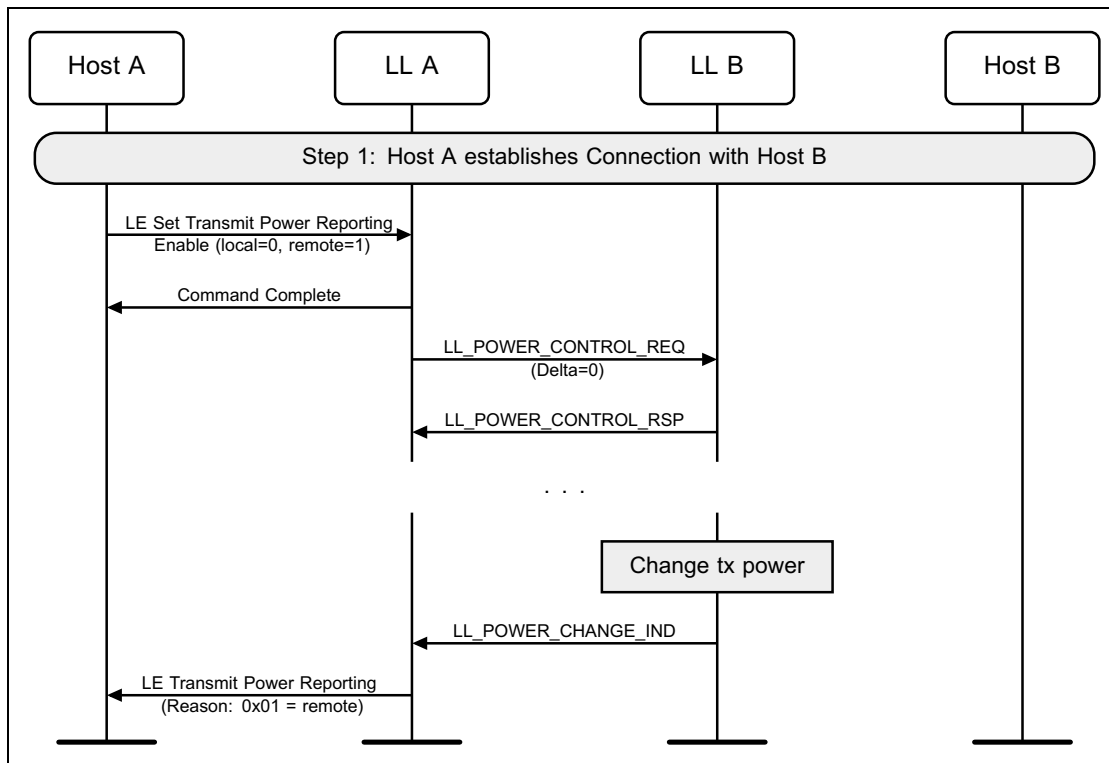


Figure 6.58: LL Power Change Indication procedure when device adjusts TX power autonomously

When a Host issues a command to read the transmit power level of a remote device, the Controller can initiate an LL Power Control Request procedure to query the transmit power level of the remote device (see [Figure 6.59](#)).

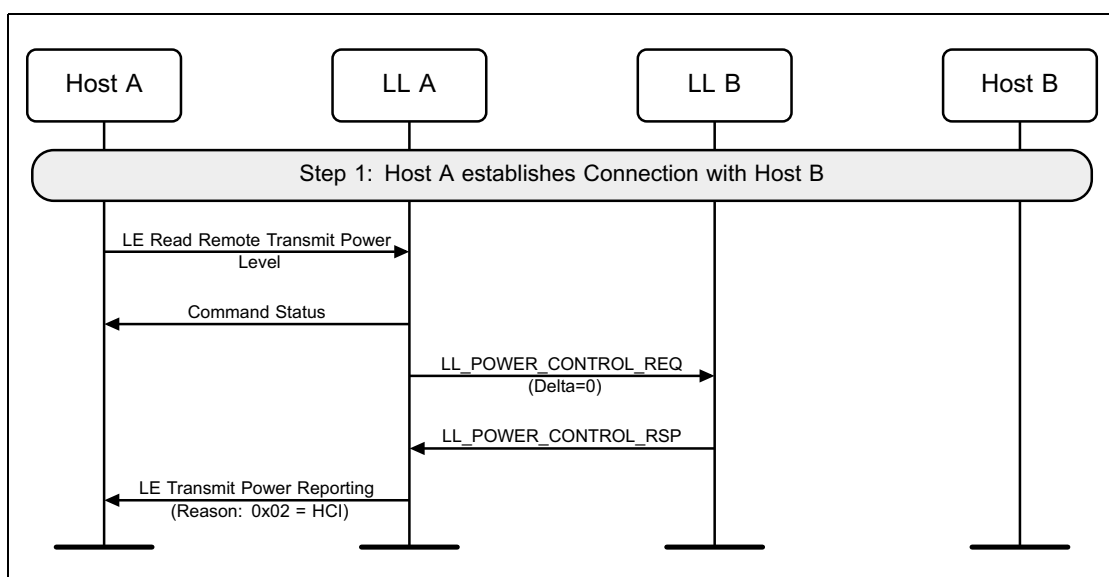


Figure 6.59: HCI command to read remote transmit power level



Before a PHY Update procedure is performed, the Link Layer may request a preferred transmit power level for the new PHY to be used by the remote device (see [Figure 6.60](#)).

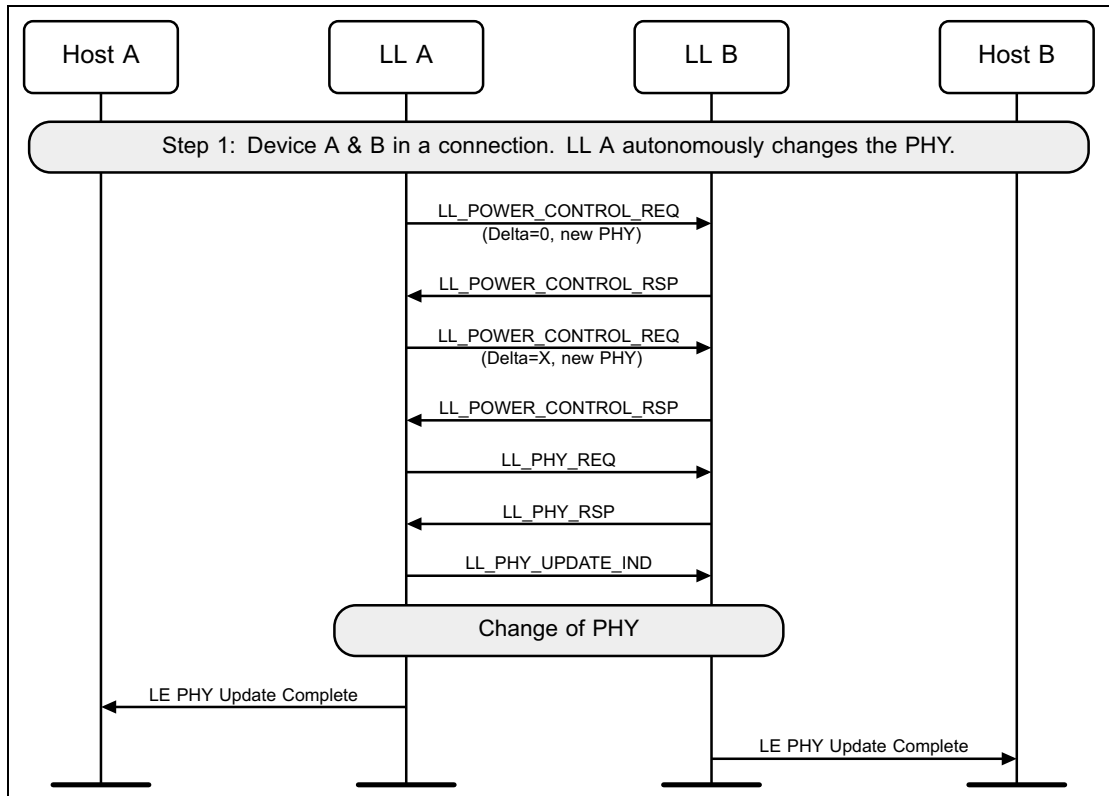


Figure 6.60: Autonomous Central-initiated PHY Update procedure with preferred transmit power level. PHY changed in both directions.



An implementation may choose to manage transmit power levels only on active PHYs and could reject a request for preferred transmit power level on the new PHY before a PHY Update procedure is performed (see [Figure 6.61](#)).

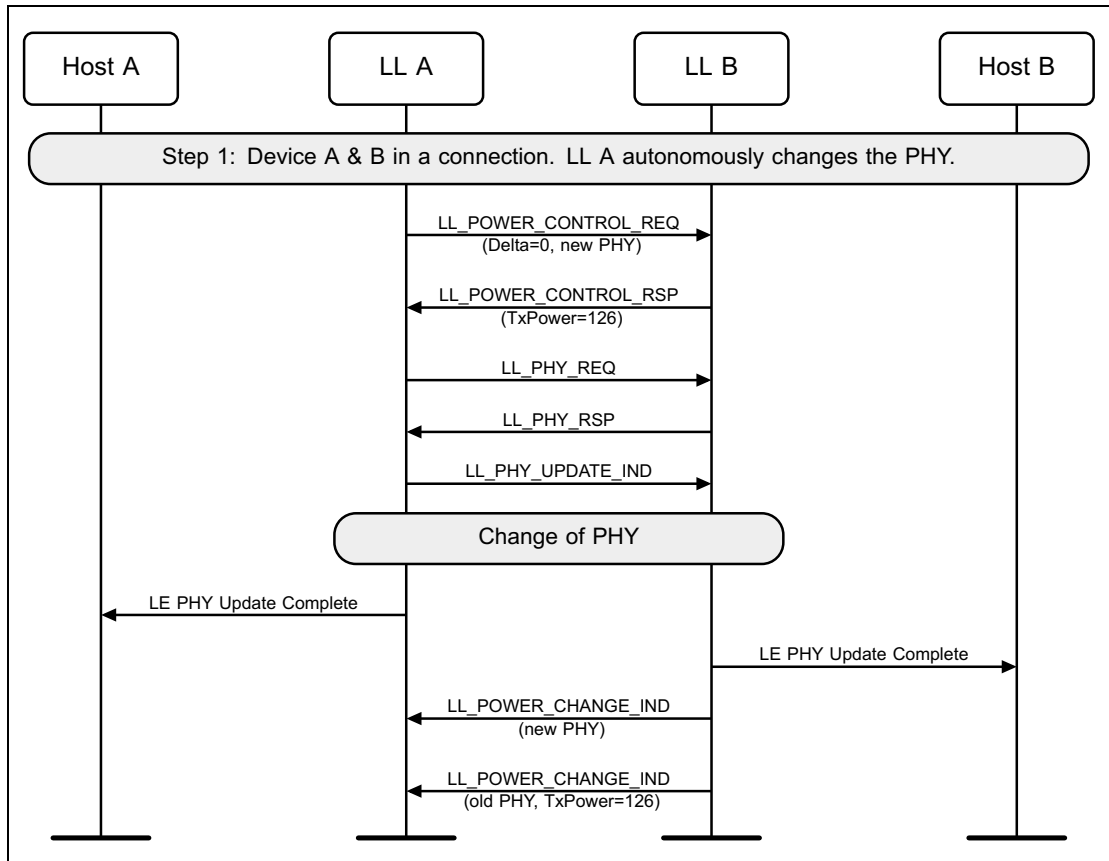


Figure 6.61: Autonomous Central-initiated PHY Update procedure with remote device maintaining only a single transmit power level. PHY changed in both directions.



When a PHY Update procedure is performed to switch to the LE Coded PHY, where the local and remote devices can use both S=8 and S=2 coding, the Controller treats them as separate PHYs for the purpose of Power Control (see Figure 6.62).

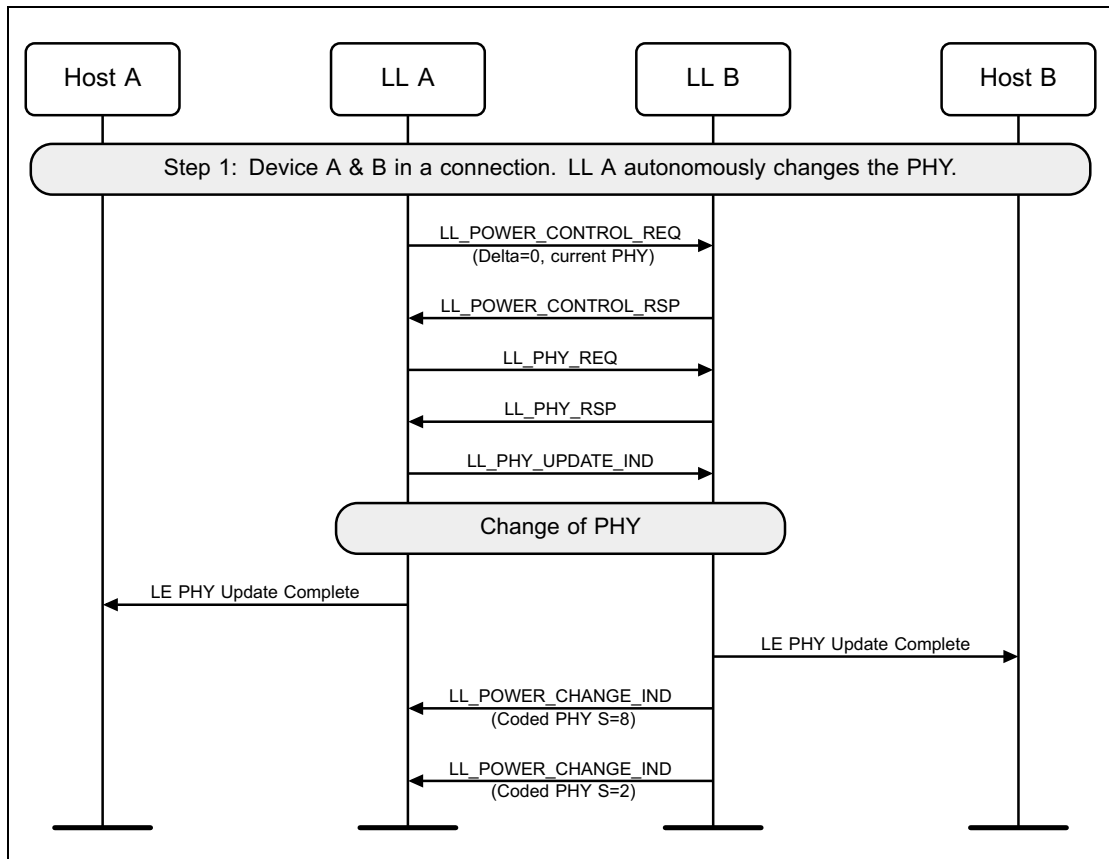


Figure 6.62: Autonomous Central-initiated PHY Update procedure to change to the LE Coded PHY (S=8 and S=2). PHY changed in both directions.

When an associated CIS is established on a PHY different from the one used by ACL, the Power Change Indication procedure may be used to indicate the transmit power level used on the new PHY. When the associated CIS is



disconnected, the implementations may choose to stop managing the PHY used on the CIS (see [Figure 6.63](#)).

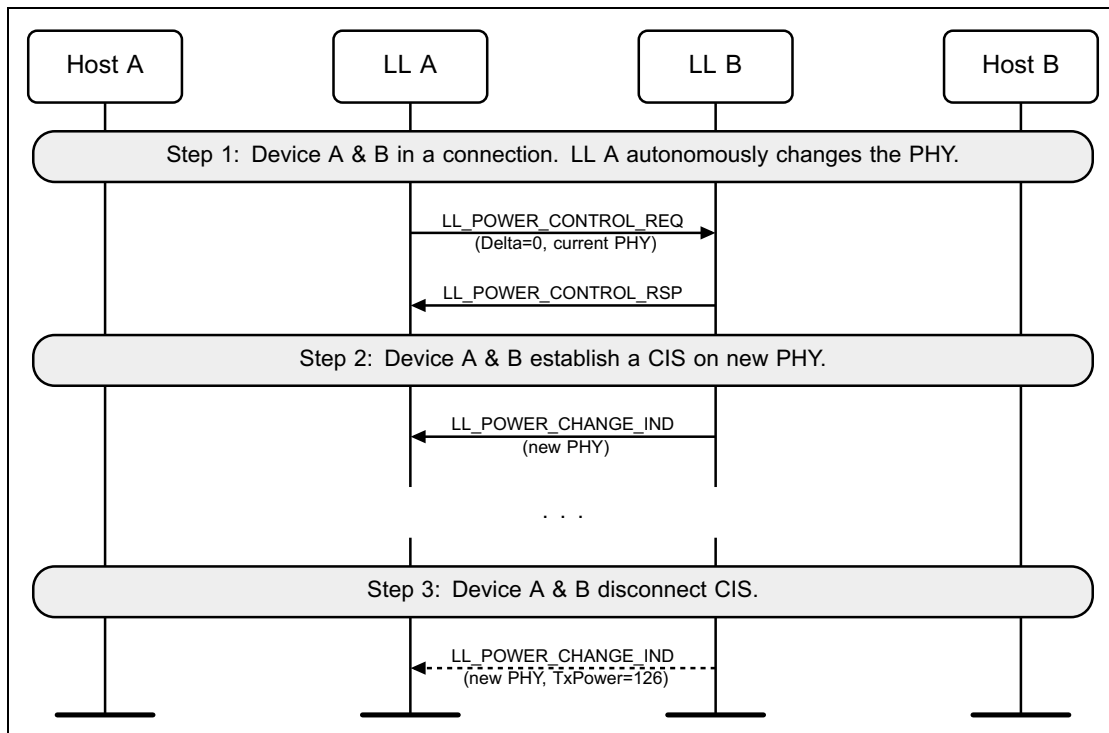


Figure 6.63: ACL with associated CIS established on a new PHY different from one on ACL



When a Host enables path loss monitoring, the Controller may initiate the Power Control Request procedure to query the remote transmit power level. As the remote device moves around, the Controller monitors the path loss on the connection and sends events to the Host as appropriate (see Figure 6.64).

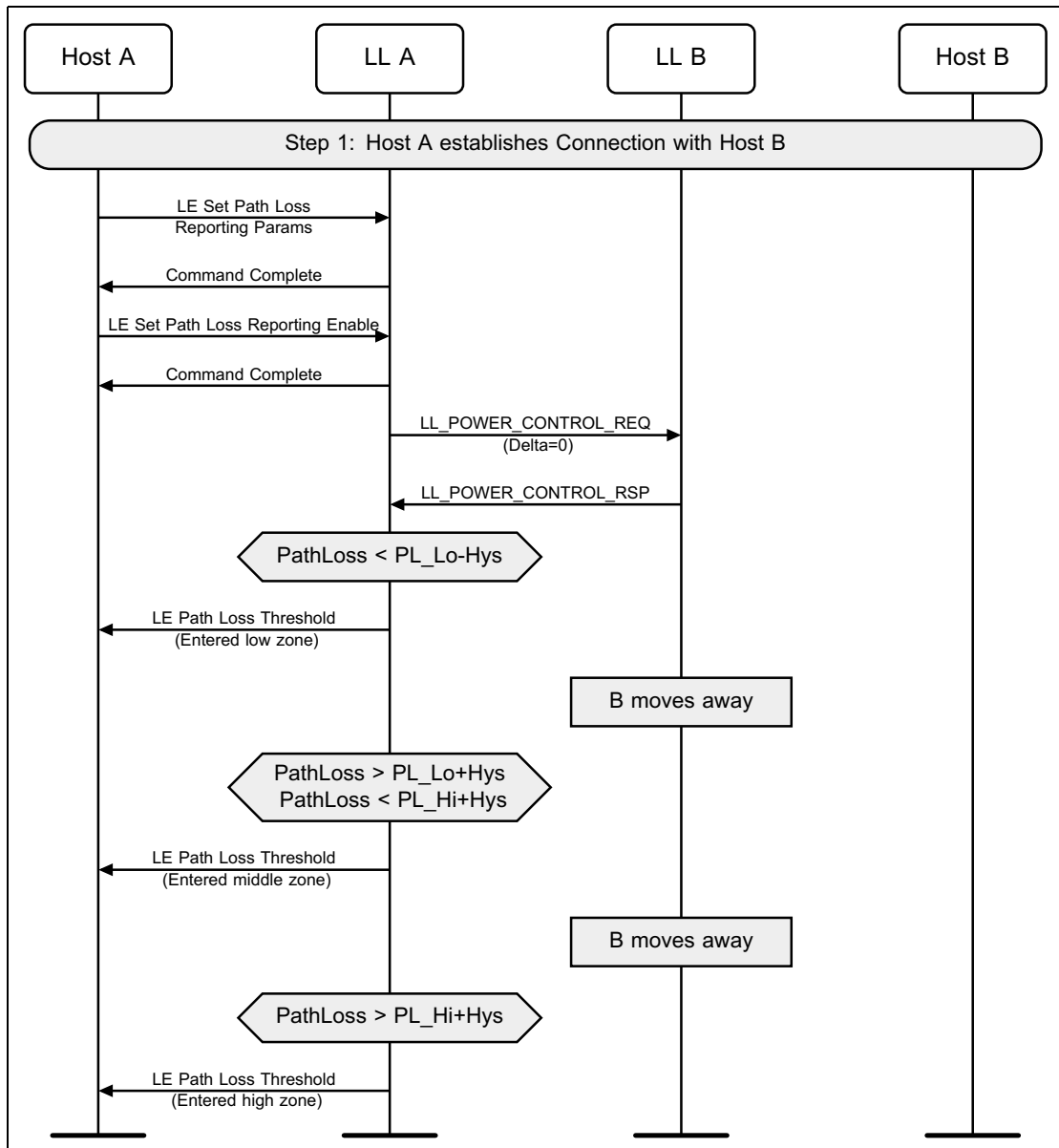


Figure 6.64: Power Control Request procedure in context of path loss monitoring

6.28 DATA PATH SETUP FOR A MUSIC STREAM OVER A CIS

Figure 6.65 shows an example of unidirectional music streaming from Host A to Host B. Host A does LC3 codec processing in the Host and sends data over HCI to the Controller, which transmits the PDUs over the air without further processing. Host B configures an output data path to the speaker(s) and enables LC3 codec processing in the Controller.



Note: The notifications between the Hosts are specified by the relevant profile(s).

Note: The audio data may be mono or stereo. In the latter case, how the data sent to the output data path is split into the separate audio signals is outside the scope of this specification.

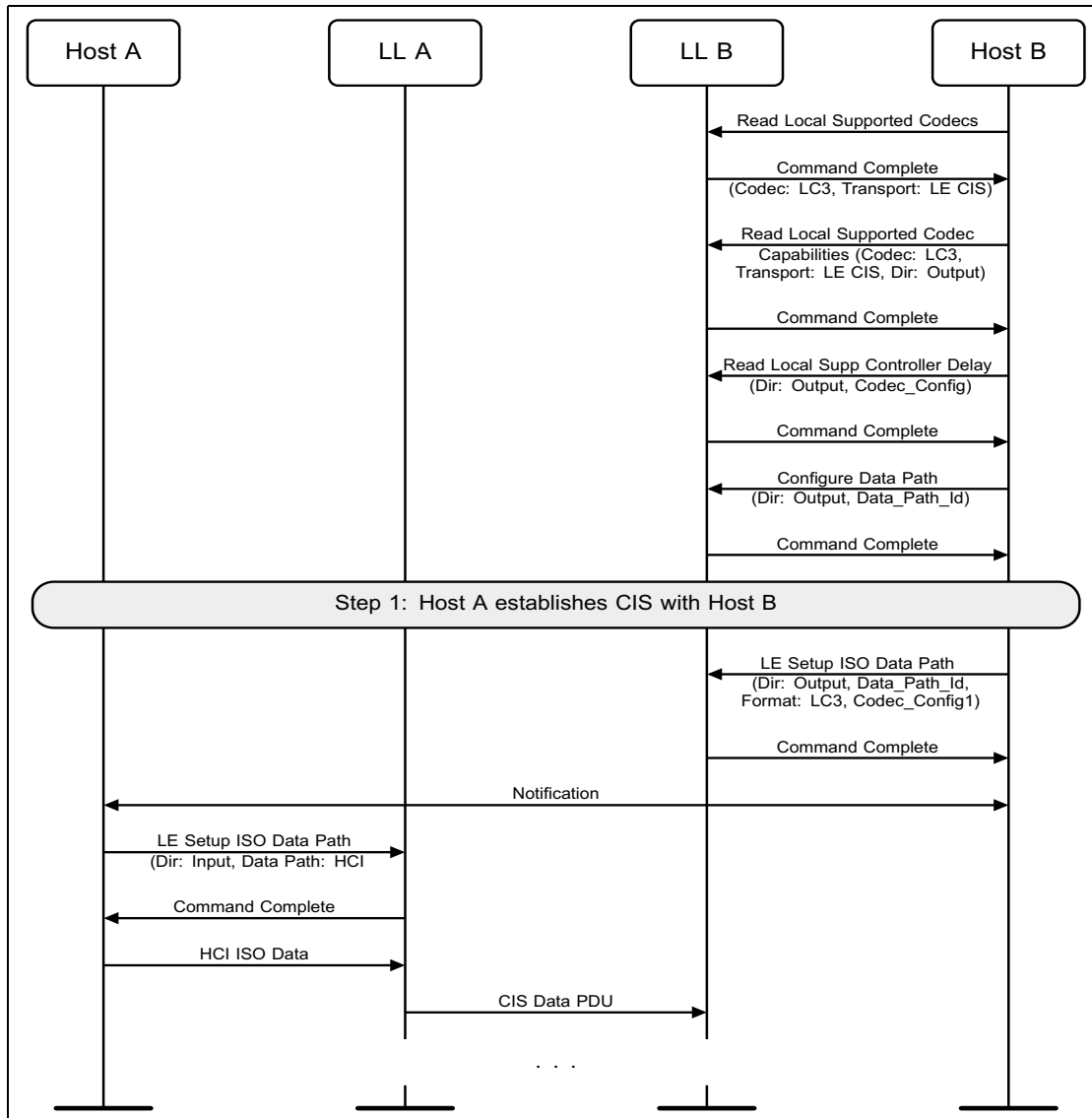


Figure 6.65: Host A with codec in the Host streams music to Host B which has a codec in the Controller



6.29 DATA PATH SETUP FOR BI-DIRECTIONAL VOICE OVER A CIS

Figure 6.66 shows an example of a bidirectional voice call between Host A and Host B. Device A contains proprietary audio interface hardware with an embedded LC3 codec. Hence the Host sets up the ISO data path with Coding_Format set to transparent mode. Device B supports LC3 codec processing in the Controller and hence Host B sets up the ISO data path with Coding_Format set to LC3 along with the codec configuration data defined by the relevant profile(s).



Note: The notifications between the Hosts are specified by the relevant profile(s).

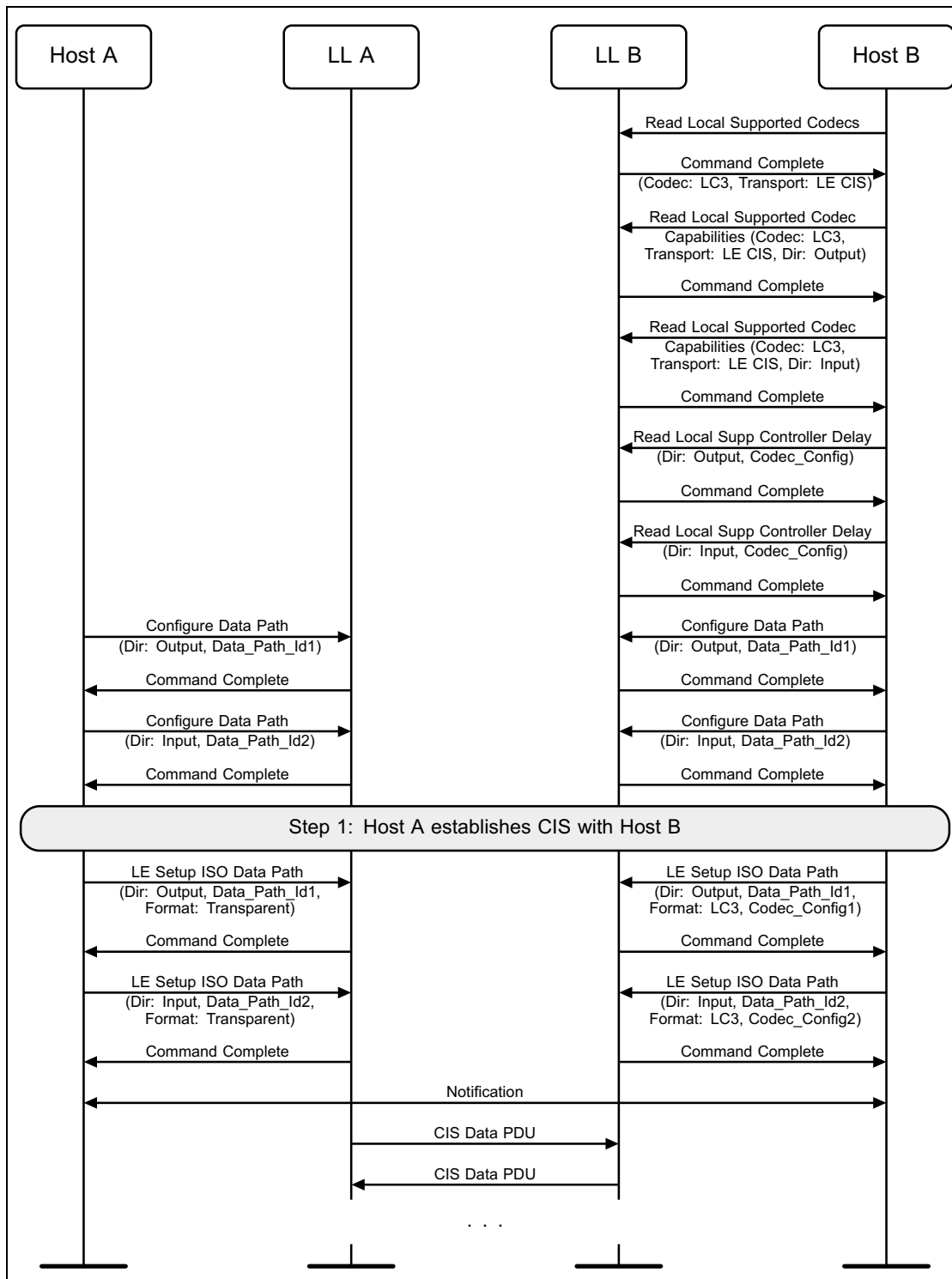


Figure 6.66: Host A with codec in the data path establishes a bi-directional voice call with Host B with codec in the Controller



6.30 [THIS SECTION IS NO LONGER USED]

The contents of this section are now in [Section 8.5](#).

6.31 MODIFYING THE SUBRATE OF A CONNECTION

A Central A in a connection with a Peripheral B modifies the subrating of the connection. The first two PDUs are not received by device B (see [Figure 6.67](#)).

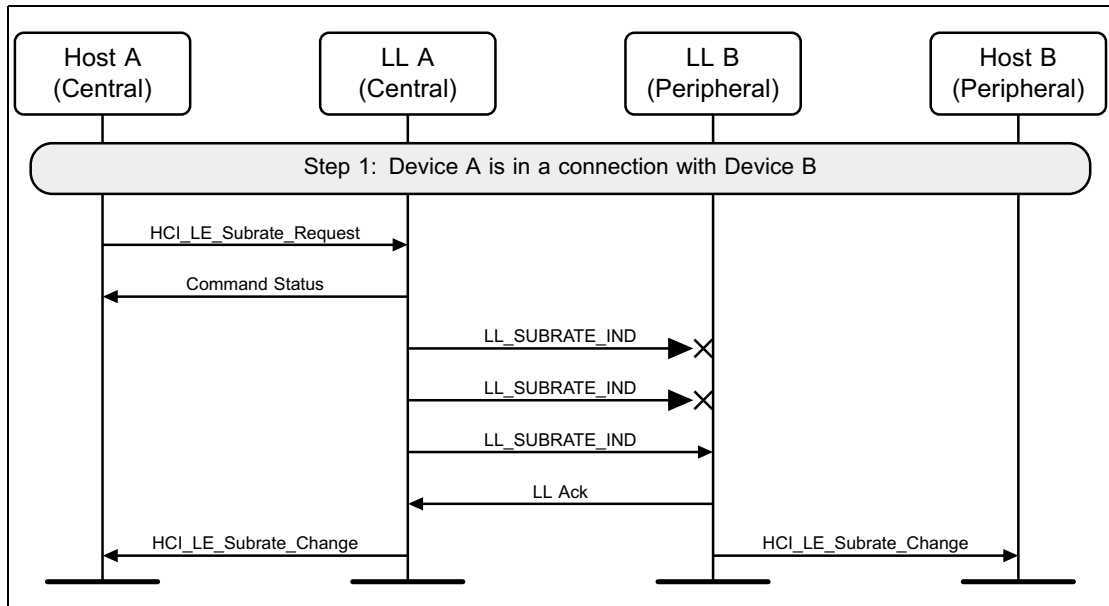


Figure 6.67: Central A modifies the connection subrating

Peripheral B requests a new subrating for its connection with device A and makes the change (see [Figure 6.68](#)).

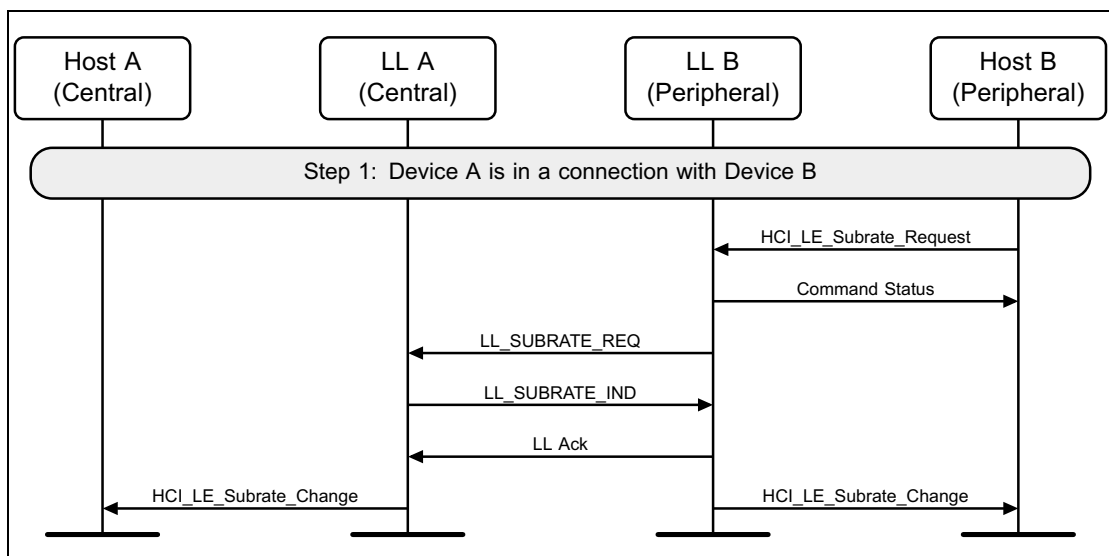


Figure 6.68: Peripheral B requests a change to the connection subrate which is accepted



Peripheral B requests a new Subrating for its connection with device A but device A rejects the change (see [Figure 6.69](#)).

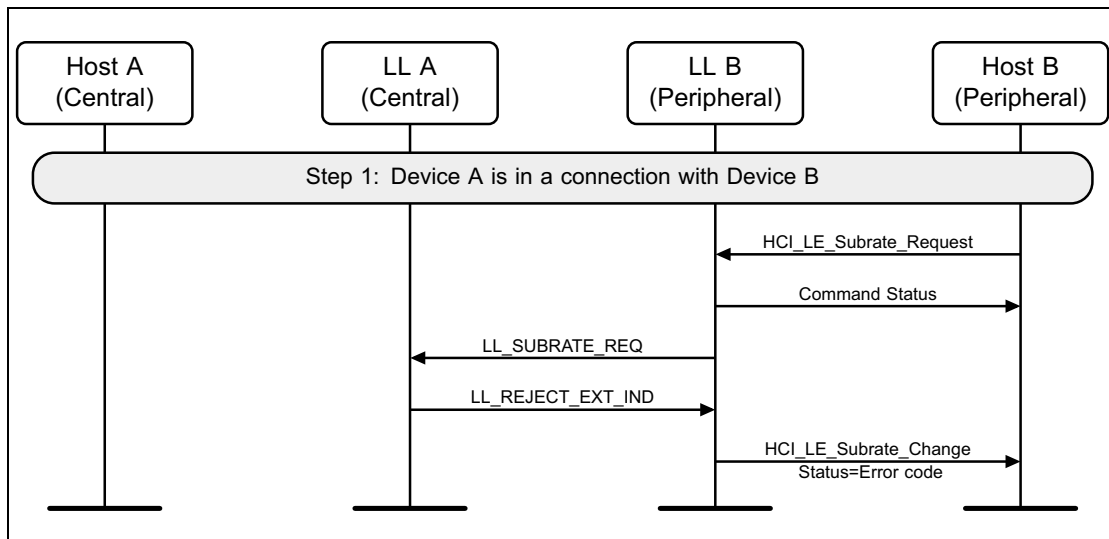


Figure 6.69: Peripheral B requests a change to the connection subrate which is rejected

6.32 CHANNEL CLASSIFICATION ENABLE

The Central can enable reporting of channel classification information on the Peripheral.

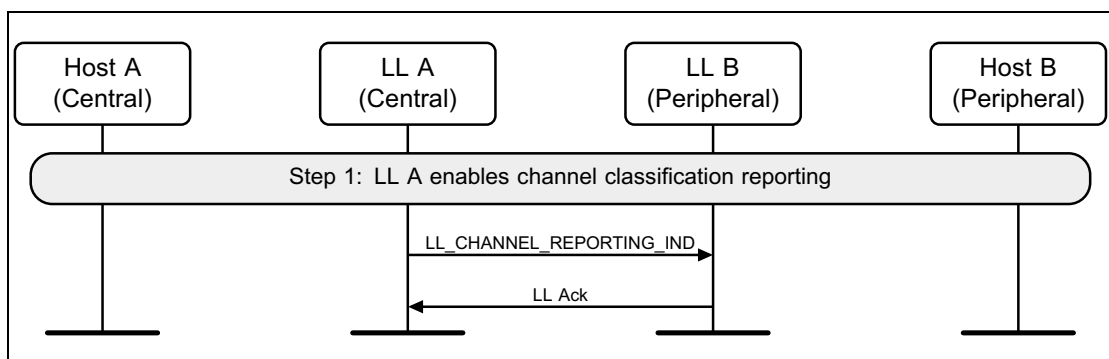


Figure 6.70: Central requests the Peripheral to enable reporting of channel classification information



6.33 CHANNEL CLASSIFICATION REPORTING

The reporting is enabled, the Peripheral can provide channel classification information to the Central.

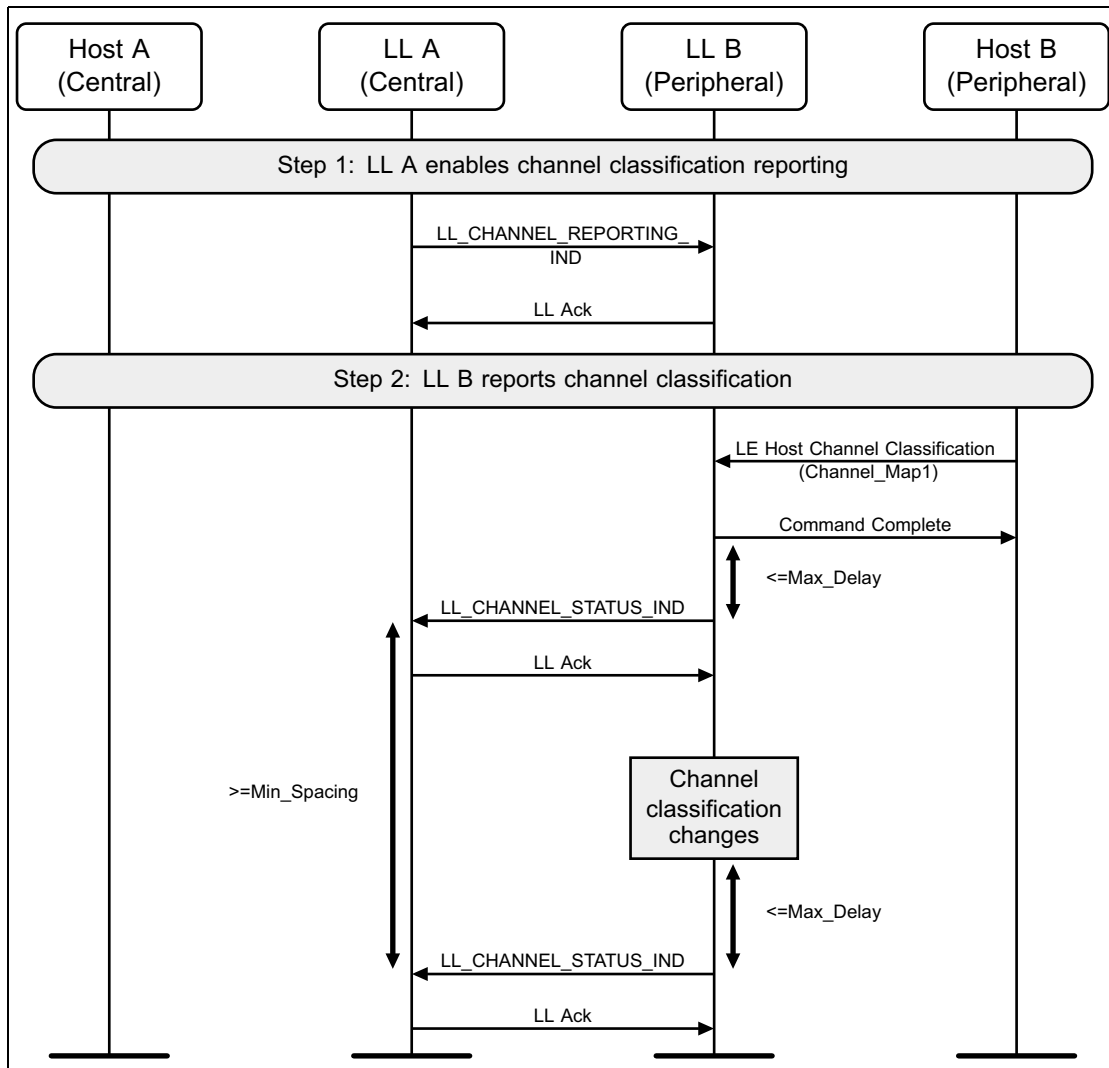


Figure 6.71: Peripheral provides channel classification information to the Central



7 PERIODIC ADVERTISING SYNC TRANSFER

In the following examples, device B is carrying out periodic advertising. Either device A or device B is in a connection with device C and transfers periodic advertising synchronization information about the periodic advertising train to device C.

7.1 TRANSFER BY SCANNER, REPORTS INITIALLY DISABLED

The scanning device (A) transfers periodic advertising synchronization information to device C, which starts listening to the periodic advertising train but only sends reports to the Host when explicitly requested.

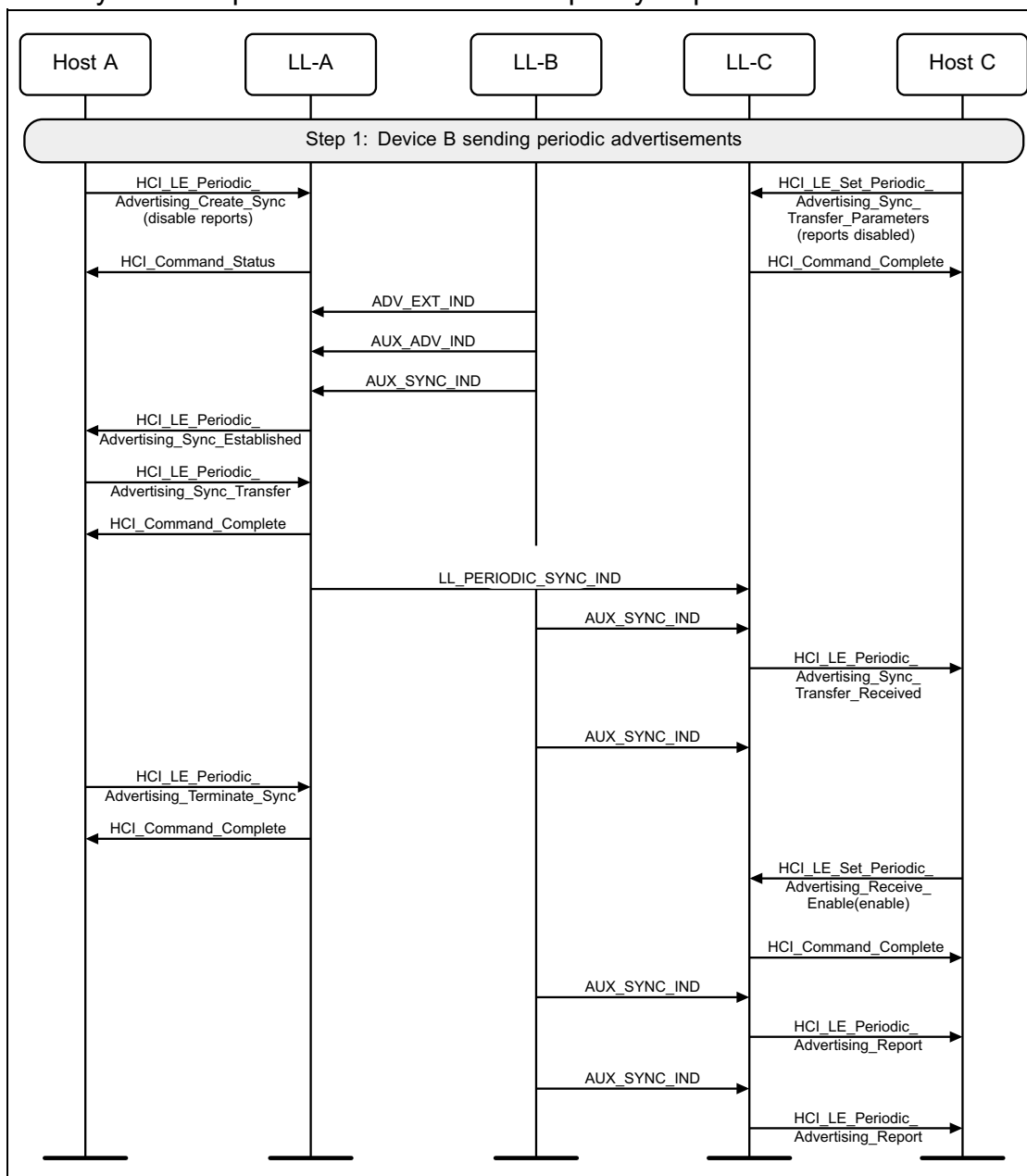


Figure 7.1: Periodic Advertising Sync Transfer by scanner, reports initially disabled



7.2 TRANSFER BY SCANNER, REPORTS INITIALLY ENABLED

The scanning device (A) transfers periodic advertising synchronization information to device C, which starts listening to the periodic advertising train and immediately sends reports to the Host.

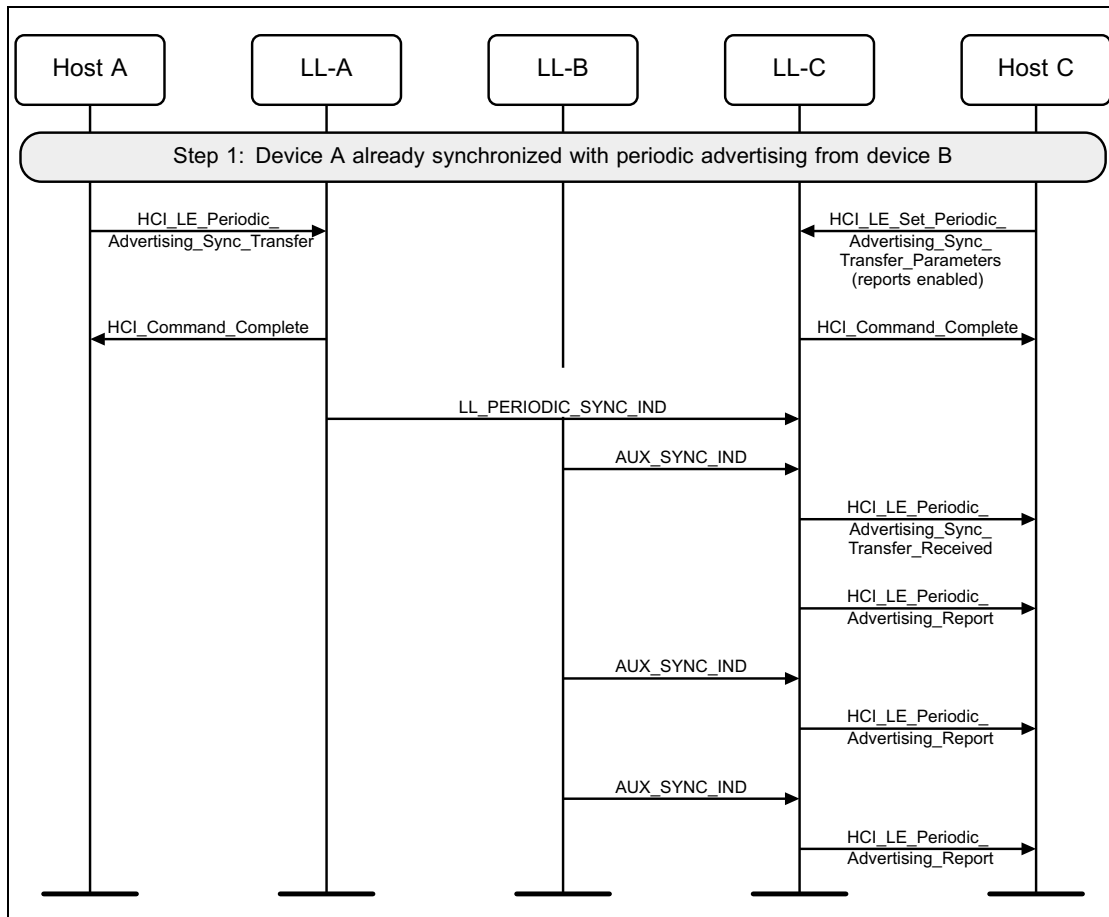


Figure 7.2: Periodic Advertising Sync Transfer by scanner, reports initially enabled



7.3 TRANSFER BY THE ADVERTISER

The advertiser (B) directly transfers periodic advertising synchronization information about its periodic advertising to device C. In this example reports to Host C are disabled.

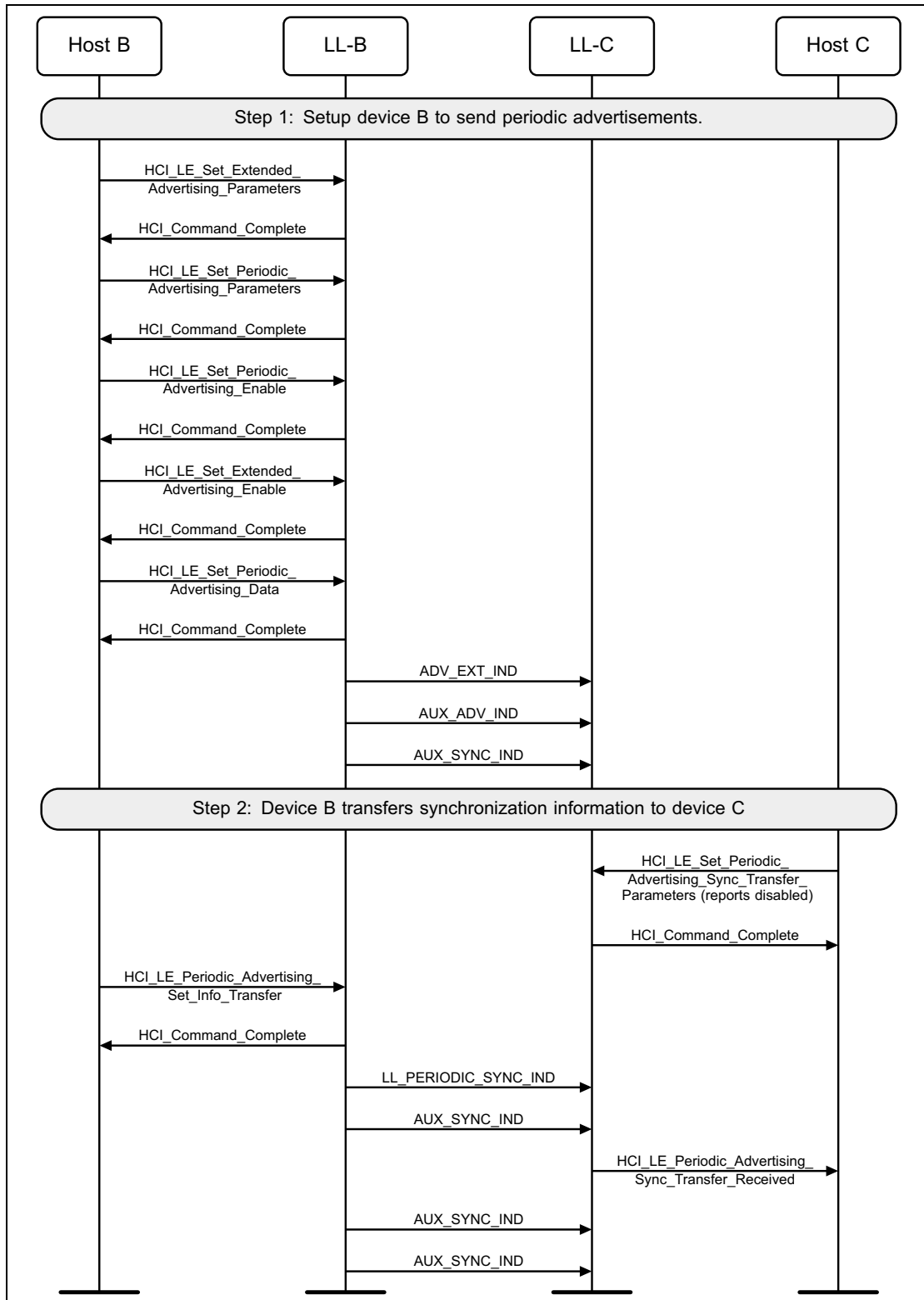


Figure 7.3: Periodic Advertising Sync Transfer by advertiser, reports initially disabled



8 SYNCHRONIZATION STATE

8.1 SYNCHRONIZING WITH A BROADCAST ISOCHRONOUS GROUP

A device enters the Synchronization state, receives the synchronization information from the periodic advertising train that is associated with the BIG, and synchronizes to a BIS (see [Figure 8.1](#)).

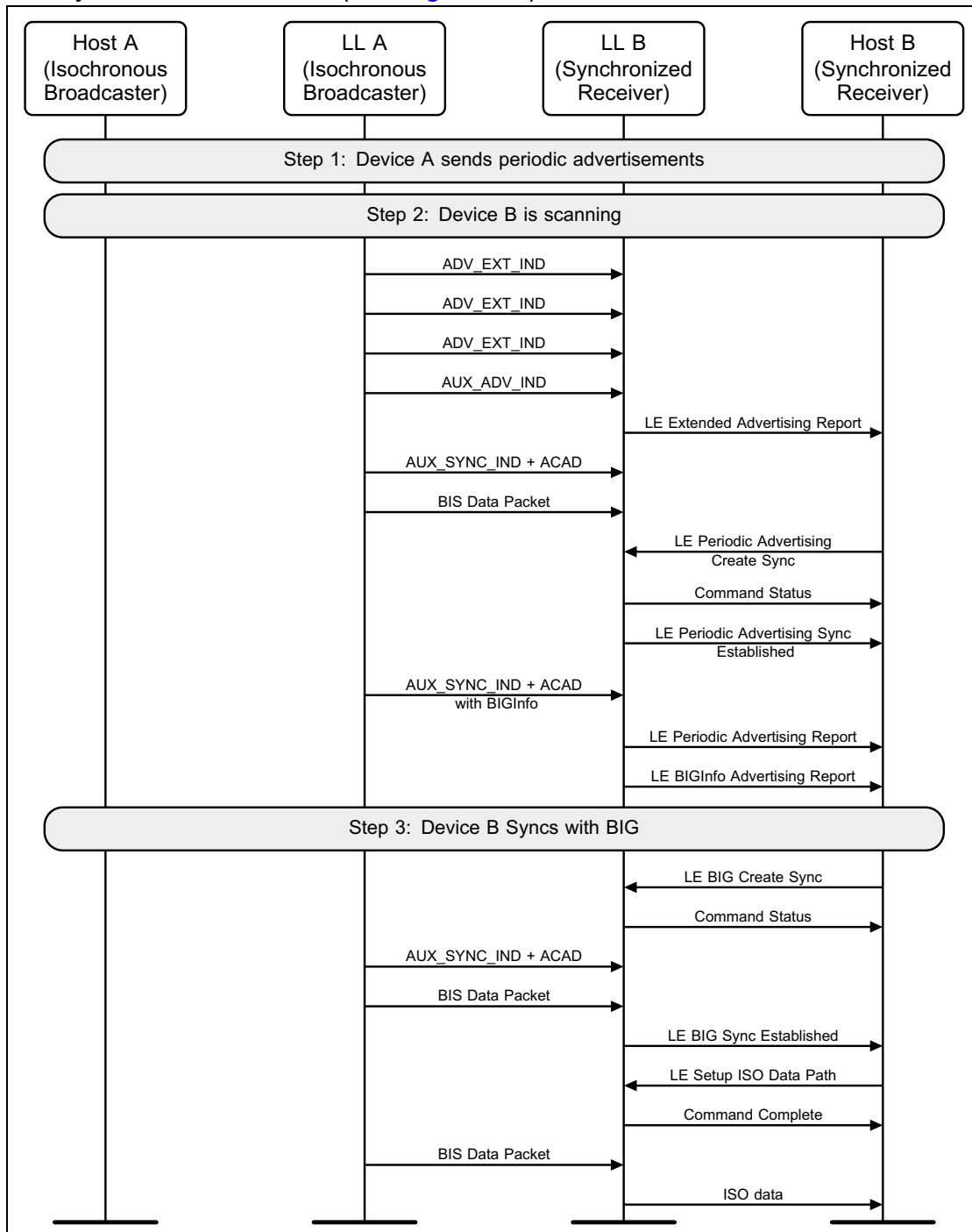


Figure 8.1: Device B synchronizes with a BIG



8.2 TERMINATE SYNCHRONIZATION WITH A BIG

A device terminates synchronization with a BIG (see Figure 8.2).

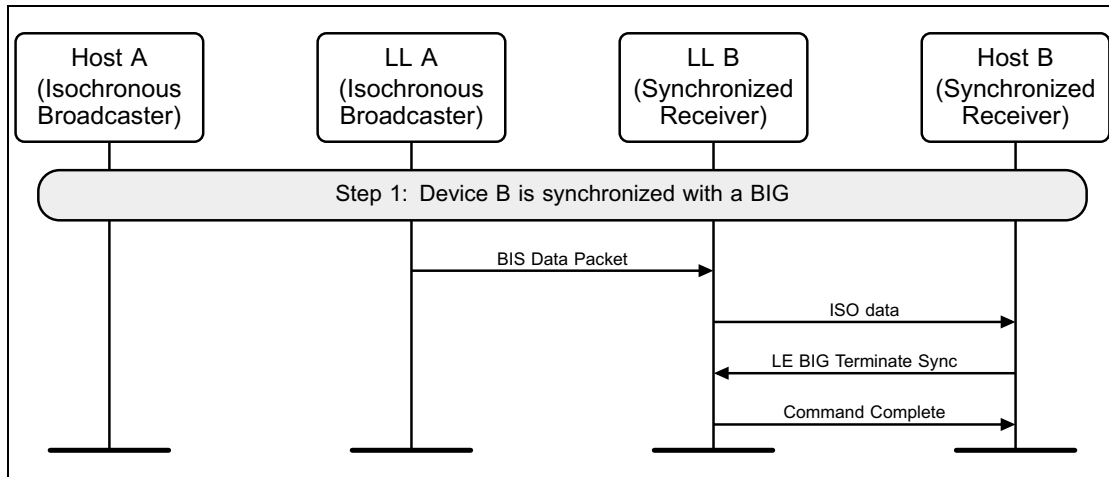


Figure 8.2: Synchronization with a BIG is terminated

8.3 NEW CHANNEL MAP FOR BROADCAST ISOCHRONOUS GROUP

A device receives a channel map update for a BIG (see Figure 8.3).

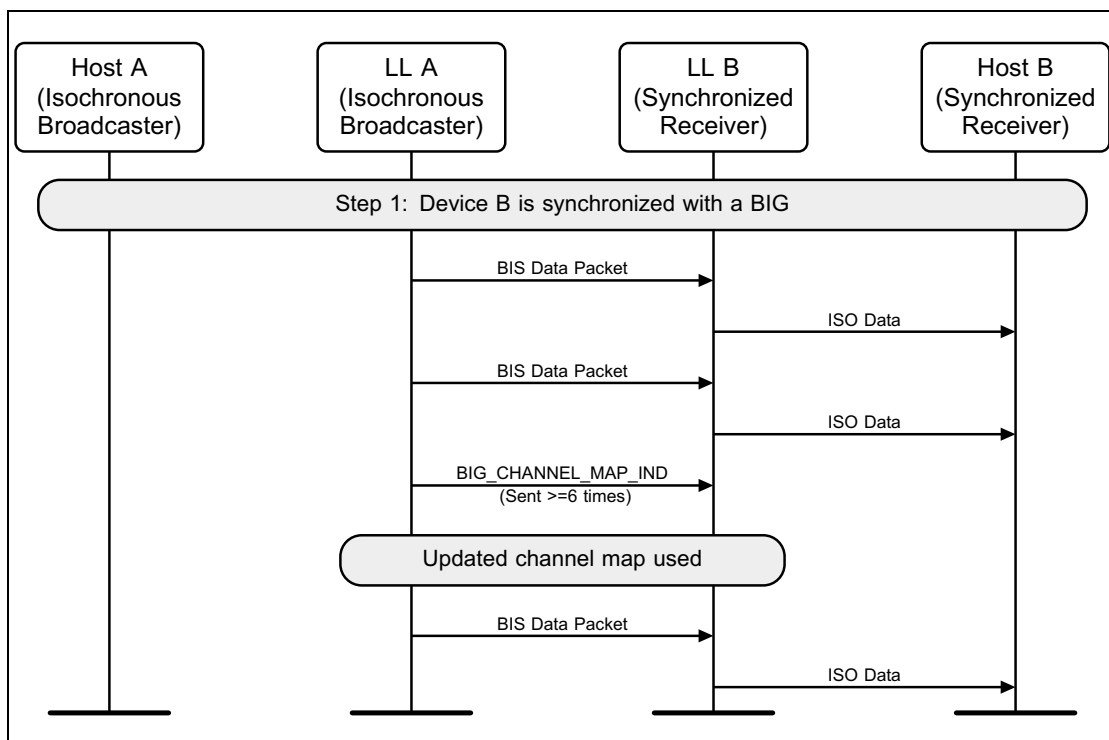


Figure 8.3: Device A sends a channel map update for a BIG



8.4 LOST SYNCHRONIZATION WITH A BROADCAST ISOCHRONOUS GROUP

A device loses synchronization with a BIG (see [Figure 8.4](#)).

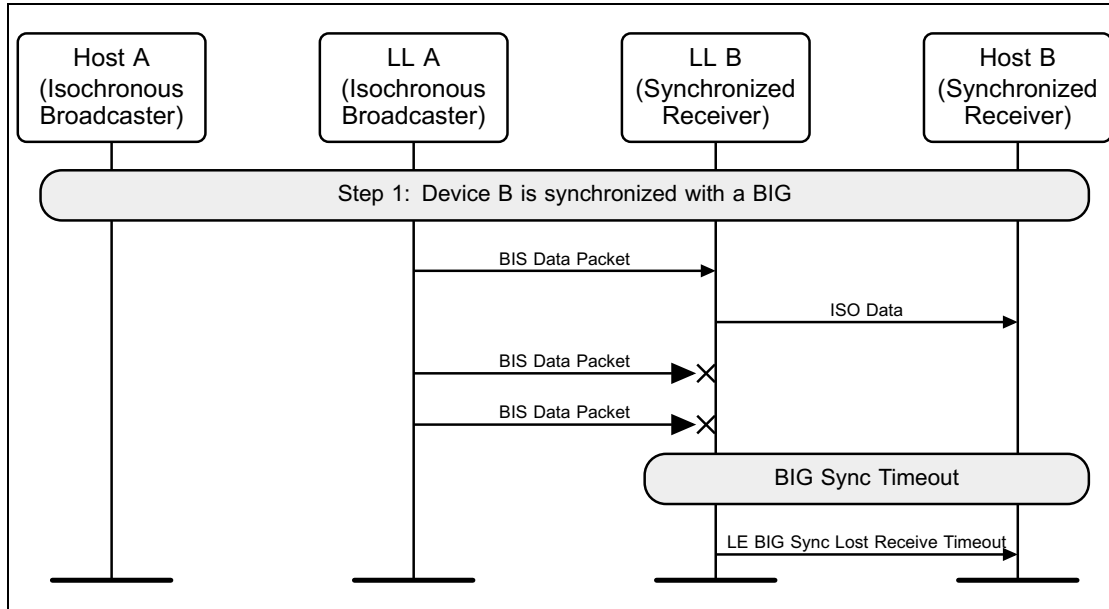


Figure 8.4: Device B loses synchronization with a BIG



8.5 DATA PATH SETUP FOR A BIS

Figure 8.5 shows an example of an isochronous broadcast stream from the Broadcaster A. Host A sets up the ISO data path with codec processing in the Controller to create the PDUs transmitted over the BIS. Device B becomes a Synchronized Receiver for the BIS and sets up the ISO data path to do codec processing in the Controller on the received data PDUs.

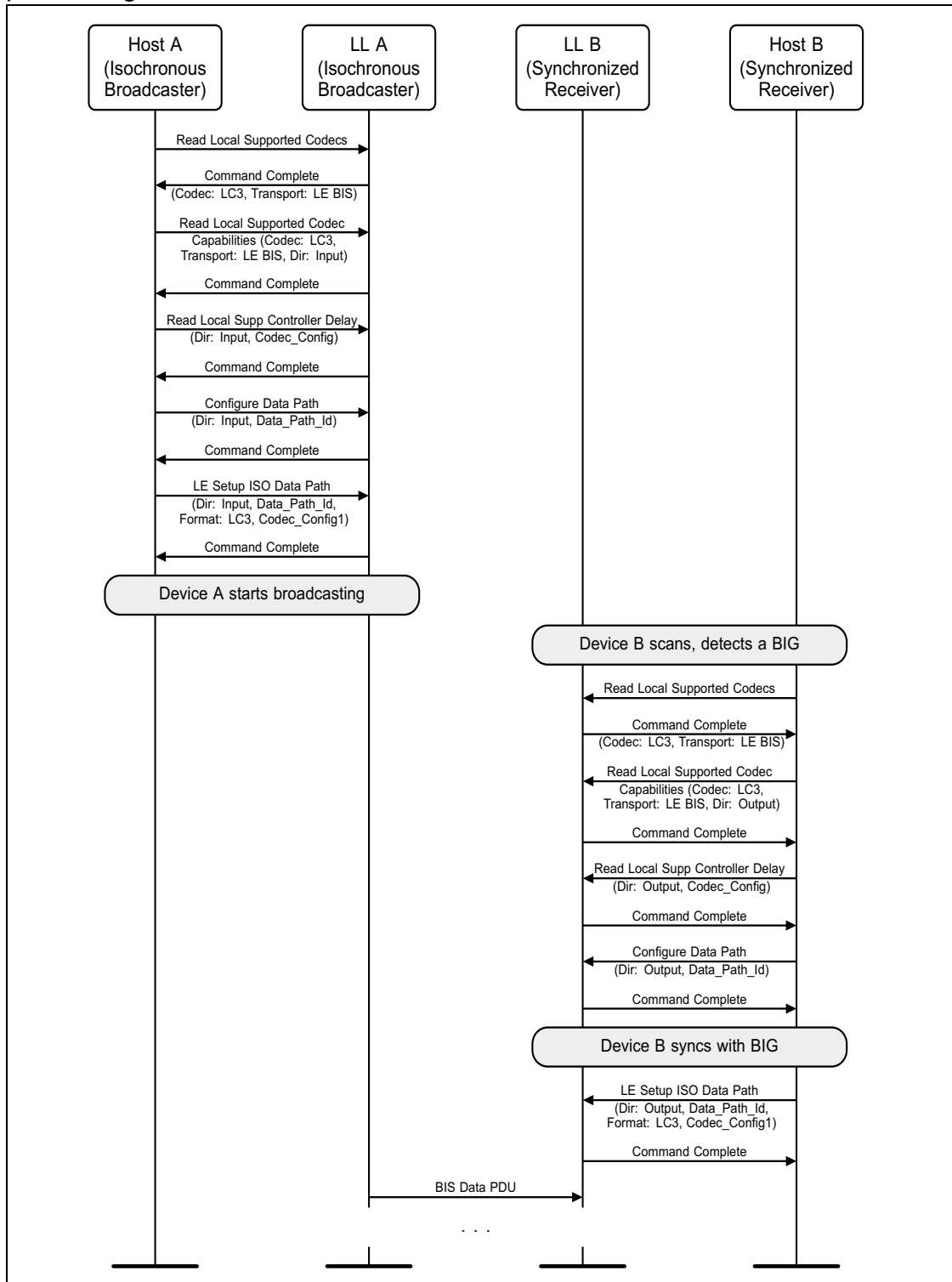


Figure 8.5: Isochronous broadcasting between devices which both have a codec in the Controller

LOW ENERGY LINK LAYER SECURITY

This Part describes the Link Layer security for Bluetooth Low Energy.



CONTENTS

1	Encryption and authentication overview.....	3038
1.1	Cryptographic Toolbox.....	3039
1.1.1	Group Session Key Derivation Function h8.....	3039
1.1.2	Derivation of Group Session Key.....	3040
2	CCM.....	3041
2.1	CCM nonce.....	3041
2.2	Counter mode blocks.....	3043
2.3	Encryption blocks.....	3044
2.4	Session Keys.....	3044



1 ENCRYPTION AND AUTHENTICATION OVERVIEW

The Link Layer provides encryption and authentication using Counter with Cipher Block Chaining-Message Authentication Code (CCM) Mode, which shall be implemented consistent with the algorithm as defined in IETF RFC 3610 (<http://www.ietf.org/rfc/rfc3610.txt>) in conjunction with the AES-128 block cipher as defined in NIST Publication FIPS-197 (<http://csrc.nist.gov/publications/fips/fips197/fips-197.pdf>). A description of the CCM algorithm can also be found in the NIST Special Publication 800-38C (<http://csrc.nist.gov/publications/PubsSPs.html>).

This specification uses the same notation and terminology as the IETF RFC except for the block cipher key K that in this specification is called the session key (see [Section 2.4](#)) and for the Message Authentication Code (MAC) that in this specification is called the Message Integrity Check (MIC) to avoid confusion with the term Media Access Controller.

CCM has two size parameters, M and L . The Link Layer defines these to be:

- $M = 4$; indicating that the MIC (authentication field) is 4 octets
- $L = 2$; indicating that the Length field is 2 octets

CCM requires a new session key whenever encryption is started. CCM also requires a unique nonce value for each PDU that is protected by a given session key. The CCM nonce shall be 13 octets.

An ACL connection or a BIS (if present), may be either encrypted and authenticated or unencrypted and unauthenticated. A CIS shall be encrypted and authenticated if, and only if, the associated ACL connection is.

When encryption is enabled, all Data Physical Channel and Isochronous Physical Channel PDUs with a non-zero length Payload shall be encrypted and authenticated. Authentication is performed by appending a MIC field to the Payload. The MIC shall be calculated over the PDU's Payload and the first octet of the header with certain bits (specified in [Table 2.3](#)) masked to zero. Encryption shall be applied to the PDU's Payload and MIC.

Each new encrypted PDU with a non-zero length Payload shall be decrypted and authenticated before being sent to the Host or processed by the Link Layer. Authentication is unrelated to the Link Layer acknowledgment scheme; authentication does not have to be performed before the packet is acknowledged by the Link Layer.

In the event of an authentication failure being detected in a Data Physical Channel PDU or CIS Data PDU, the corresponding connection shall be considered lost (see [\[Vol 6\] Part B, Section 4.5.12](#)). The notification to the Host shall specify the error code *Connection Terminated due to MIC Failure* (0x3D). The peer Link Layer will detect this loss of connection through the supervision timeout procedure.



In the event of a MIC failure being detected in a Broadcast Isochronous PDU, synchronization shall be considered lost. The Link Layer shall not receive any further packets on the BIS and the Host shall be notified of the loss of synchronization with the error code *Connection Terminated due to MIC Failure* (0x3D).

1.1 CRYPTOGRAPHIC TOOLBOX

The following cryptographic functions are defined:

- h8 is used to generate group session keys for BIGs.

The building block for the cryptographic functions h8 is the security function AES-CMAC.

When a multi-octet integer parameter is used as input to AES-CMAC inside the h8 function, the most significant octet of the integer shall be the first octet of the stream and the least significant octet of the integer shall be the last octet of the stream.

The functions h6 and h7 used in this Part are defined in [\[Vol 3\] Part H, Section 2.2](#).

1.1.1 Group Session Key Derivation Function h8

The function h8 is used to generate the Group Session Key (GSK) for encrypting or decrypting payloads of an encrypted BIS. The definition of the h8 function makes use of the AES-CMAC function. The inputs to the function h8 are:

K is 128 bits

S is 128 bits

keyID is 32 bits

For the first AES-CMAC function, K is used as the data m and S is used as the key. The output of the first AES-CMAC function IK (intermediate key which is 128 bits) is used as the key for the second AES-CMAC function and keyID is used as the data m:

$$IK = \text{AES-CMAC}_S(K)$$

$$h8(K, S, \text{keyID}) = \text{AES-CMAC}_{IK}(\text{keyID})$$



1.1.2 Derivation of Group Session Key

The Link Layer shall derive the Group Long Term Key (GLTK) and Group Session Key (GSK) as follows:

$IGLTK = h7(\text{"BIG1"}, \text{Broadcast_Code})$

$GLTK = h6(IGLTK, \text{"BIG2"})$

$GSK = h8(GLTK, \text{GSKD}, \text{"BIG3"})$

The string "BIG1" is mapped into a SALT using ASCII as 0x00000000_00000000_00000000_42494731.

The string "BIG2" is mapped into a keyID using ASCII as 0x42494732.

The string "BIG3" is mapped into a keyID using ASCII as 0x42494733.



2 CCM

This section provides the details for using the CCM algorithm. As specified, the CCM algorithm requires the payload and some additional parameters to be formatted into the CCM nonce, counter-mode blocks and encryption blocks. The CCM nonce provides uniqueness to each packet. The counter-mode blocks are used to calculate the MIC. The encryption blocks provide the keystream that is used to encrypt the payload and the MIC of the Data Physical Channel PDU, CIS Data PDU, BIS Data PDU, and BIG Control PDU.

Sample data of the blocks (see [Section 2.2](#) and [Section 2.3](#)) can be found in [\[Vol 6\] Part C, Section 1](#) and [Section 1.2](#).

2.1 CCM NONCE

The CCM nonce is constructed from a 39-bit *packetCounter*, 1-bit *directionBit* and an 8-octet IV (initialization vector). The format of the 13-octet nonce shall be as shown in [Table 2.1](#).

Octet	Field	Size (octets)	Value	Description
0	Nonce0	1	variable	<i>packetCounter</i> [7:0]
1	Nonce1	1	variable	<i>packetCounter</i> [15:8]
2	Nonce2	1	variable	<i>packetCounter</i> [23:16]
3	Nonce3	1	variable	<i>packetCounter</i> [31:24]
4	Nonce4	1	variable	Bit 6 – Bit 0: <i>packetCounter</i> [38:32] Bit 7: <i>directionBit</i>
5	Nonce5	1	variable	IV[7:0]
6	Nonce6	1	variable	IV[15:8]
7	Nonce7	1	variable	IV[23:16]
8	Nonce8	1	variable	IV[31:24]
9	Nonce9	1	variable	IV[39:32]
10	Nonce10	1	variable	IV[47:40]
11	Nonce11	1	variable	IV[55:48]
12	Nonce12	1	variable	IV[63:56]

Table 2.1: CCM nonce format

The Link Layer shall maintain one *packetCounter* per Role for each ACL and CIS connection and one for each BIS that the Link Layer is transmitting or is synchronized to.



For each ACL connection, the *packetCounter* shall be set to zero for the first encrypted Data Physical Channel PDU sent during the encryption start procedure. The *packetCounter* shall then be incremented by one for each new Data Physical Channel PDU that is encrypted. The *packetCounter* shall not be incremented for retransmissions.

For each CIS, *packetCounter* shall equal *cisPayloadCounter* defined in [Vol 6] Part B, Section 4.5.13.1.

For each BIS, *packetCounter* shall equal *bisPayloadCounter* defined in [Vol 6] Part B, Section 4.4.6.3

The value of *packetCounter* used for a BIG Control PDU shall be equal to the value of *packetCounter* used in the first subevent of the BIG event that the BIG Control PDU is part of.

The *directionBit* shall be set to 1 for Data Physical Channel PDUs and CIS Data PDUs sent by the Central and set to 0 for Data Physical Channel PDUs and CIS Data PDUs sent by the Peripheral. The *directionBit* shall be set to 1 for Broadcast Isochronous PDUs sent by the Isochronous Broadcaster.

The IV is common for both Roles of an ACL and CIS. Whenever encryption is started or restarted, a new 8-octet IV shall be used for each pair of communicating devices. The IV for an ACL is determined as specified in [Vol 6] Part B, Section 5.1.3.1. The IV for a CIS or BIS is calculated from an IV_{base} and the Access Address of the CIS or BIS respectively. For a CIS, the IV_{base} shall be set to the value of IV of the associated ACL. For a BIS, the IV_{base} shall be set to the value of GIV contained in the BIGInfo. $IV[31:0]$ shall equal $IV_{base}[31:0]$ XORed with the Access Address of the CIS or BIS while $IV[63:32]$ shall equal $IV_{base}[63:32]$, as shown in Figure 2.1. The IV for a BIG control logical link shall be determined in the same way as for a BIS.

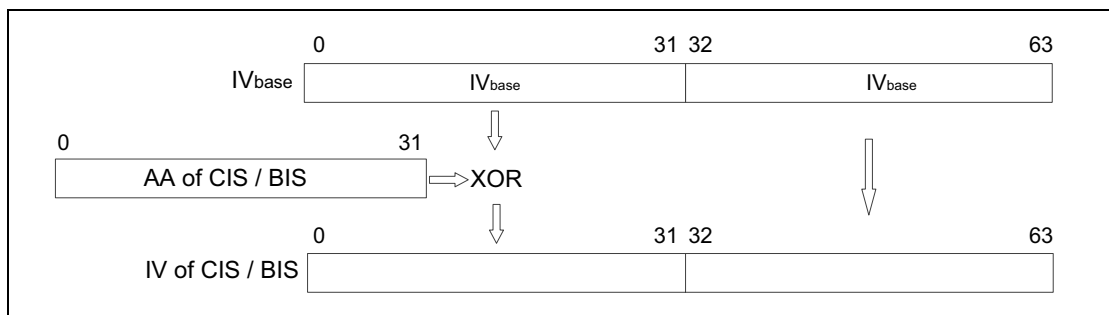


Figure 2.1: Generation of IV for a CIS or BIS

Note: If a CIS is terminated or considered lost and then a new CIS with the same CIS_ID is created in the same CIG, the new CIS must still have a new access address (see [Vol 6] Part B, Section 2.1.2).



2.2 COUNTER MODE BLOCKS

For calculating the MIC, the multiple counter mode blocks are generated according to the CCM specification. These are referred to as blocks $B_0 - B_n$. [Table 2.2](#) defines the format of block B_0 . [Table 2.3](#) defines the format of block B_1 that is devoted to the authentication of the additional authenticated data. Additional B blocks are generated as needed for authentication of the payload.

Offset (octets)	Field	Size (octets)	Value	Description
0	Flags	1	0x49	As per the CCM specification
1	Nonce	13	variable	The nonce as described in Table 2.1 . Nonce0 shall have offset 1. Nonce12 shall have offset 13.
14	Length[MSO]	1	0x00	The most significant octet of the length of the payload
15	Length[LSO]	1	variable	The least significant octet of the length of the payload

Table 2.2: Block B_0 format

Offset	Field	Size (octets)	Value	Description
0	AAD_Length[MSO]	1	0x00	The most significant octet of the length of the additional authenticated data
1	AAD_Length[LSO]	1	0x01	The least significant octet of the length of the additional authenticated data
2	AAD	1	variable	The PDU header's first octet with the following bits masked to 0. Data Physical channel PDU: NESN, SN, MD. Connected Isochronous PDU: NESN, SN, NPI, CIE. Broadcast Isochronous PDU: CSSN, CSTF.
3	Padding	13	0x00, 0x00, 0x00, 0x00, 0x00, 0x00, 0x00, 0x00, 0x00, 0x00, 0x00, 0x00, 0x00	These octets are only used to pad the block. They are not part of the packet and never transmitted.

Table 2.3: Block B_1 format



2.3 ENCRYPTION BLOCKS

The CCM algorithm uses the A_i blocks to generate keystream that is used to encrypt the MIC and the PDU payload. Block A_0 is always used to encrypt and decrypt the MIC. Block A_1 is always used to encrypt and decrypt the first 16 octets of the Payload. Subsequent blocks are always used to encrypt and decrypt the rest of the Payload as needed.

Offset (octets)	Field	Size (octets)	Value	Description
0	Flags	1	0x01	As per the CCM specification
1	Nonce	13	variable	The nonce as described above Nonce0 shall have offset 1. Nonce12 shall have offset 13.
14	i[MSO]	1	variable	The most significant octet of the counter i
15	i[LSO]	1	variable	The least significant octet of the counter i

Table 2.4: Block A_i format

2.4 SESSION KEYS

The session key for an ACL connection shall be generated as specified in [\[Vol 6\] Part B, Section 5.1.3.1](#).

The session key for a CIS shall be the same as that for the associated ACL.

The session key for a BIS shall be the Group Session Key derived in [Section 1.1.2](#).

DIRECT TEST MODE

This Part describes the Direct Test Mode for RFPHY testing of Bluetooth Low Energy devices.



CONTENTS

1	Introduction.....	3047
2	Low Energy test scenarios	3048
2.1	Test sequences.....	3048
2.2	Message sequence charts.....	3049
3	UART Test Interface.....	3050
3.1	UART Interface characteristics	3050
3.2	UART functional description	3050
3.3	Commands and events.....	3051
3.3.1	Command and event behavior.....	3051
3.3.2	Commands.....	3051
3.4	Events.....	3054
3.4.1	LE_Test_Status event.....	3055
3.4.2	LE_Packet_Report event.....	3057
3.5	Timing – command and event	3058
4	LE Test packet definition.....	3059
4.1	LE Test packets format	3059
4.1.1	Whitening.....	3059
4.1.2	Preamble and synchronization word.....	3059
4.1.3	CRC	3060
4.1.4	LE Test packet PDU.....	3060
4.1.5	LE Test packet payload description	3061
4.1.6	LE Test packet interval.....	3062
4.1.7	Constant Tone Extension	3063



1 INTRODUCTION

Direct Test Mode is used to control the Device Under Test (DUT) and provides a report back to the Tester.

Direct Test Mode shall be set up using one of two alternate methods:

1. over HCI (as defined in [Section 2](#)) or
2. through a 2-wire UART interface (as defined in [Section 3](#))

Each DUT shall implement one of the two Direct Test Mode methods in order to test the Low Energy PHY layer. [Figure 1.1](#) illustrates the alternatives for Direct Test Mode setup.

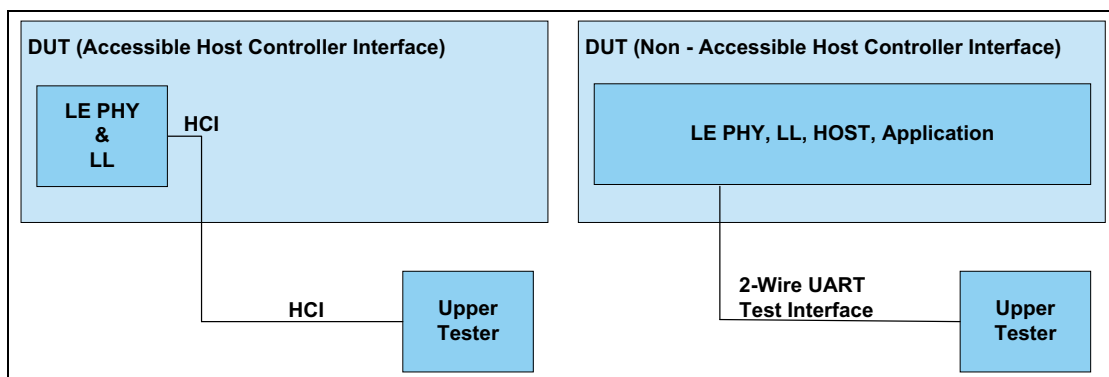


Figure 1.1: Setup alternatives for LE Direct Test Mode: Designs with accessible HCI (left) and designs without accessible HCI (right)

[Figure 1.2](#) illustrates the Bluetooth LE Direct Test Mode setup principle using a 2-wire UART interface.

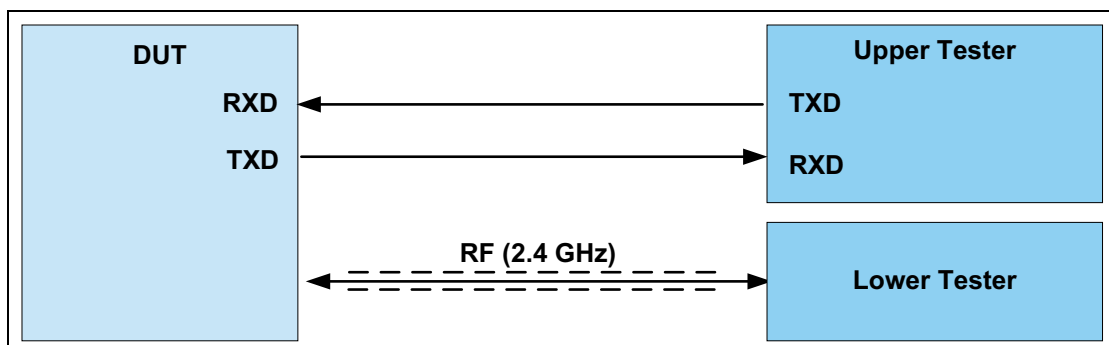


Figure 1.2: RFPHY test setup for Direct Test Mode (UART control)



2 LOW ENERGY TEST SCENARIOS

2.1 TEST SEQUENCES

These sequences are used as routines and used to control an LE DUT with an accessible HCI or a 2-wire UART interface for RF testing.

The following mapping shall be performed from the RF testing commands to HCI commands and events or 2-wire UART commands and events:

RF Test command / event	HCI command / event	2-wire UART command / event
LE_Transmitter_Test command	HCI_LE_Transmitter_Test command	LE_Transmitter_Test command
LE_Receiver_Test command	HCI_LE_Receiver_Test command	LE_Receiver_Test command
LE_Test_End command	HCI_LE_Test_End command	LE_Test_End command
LE_Status event	HCI_Command_Complete event	LE_Test_Status event
LE_Packet_Report event	HCI_Command_Complete event	LE_Packet_Report event

Table 2.1: Mapping table of HCI / 2-wire UART commands and events

The HCI commands and events used in Direct Test Mode are defined in [\[Vol 4\] Part E, Section 7.8](#).



2.2 MESSAGE SEQUENCE CHARTS

Transmitter Test

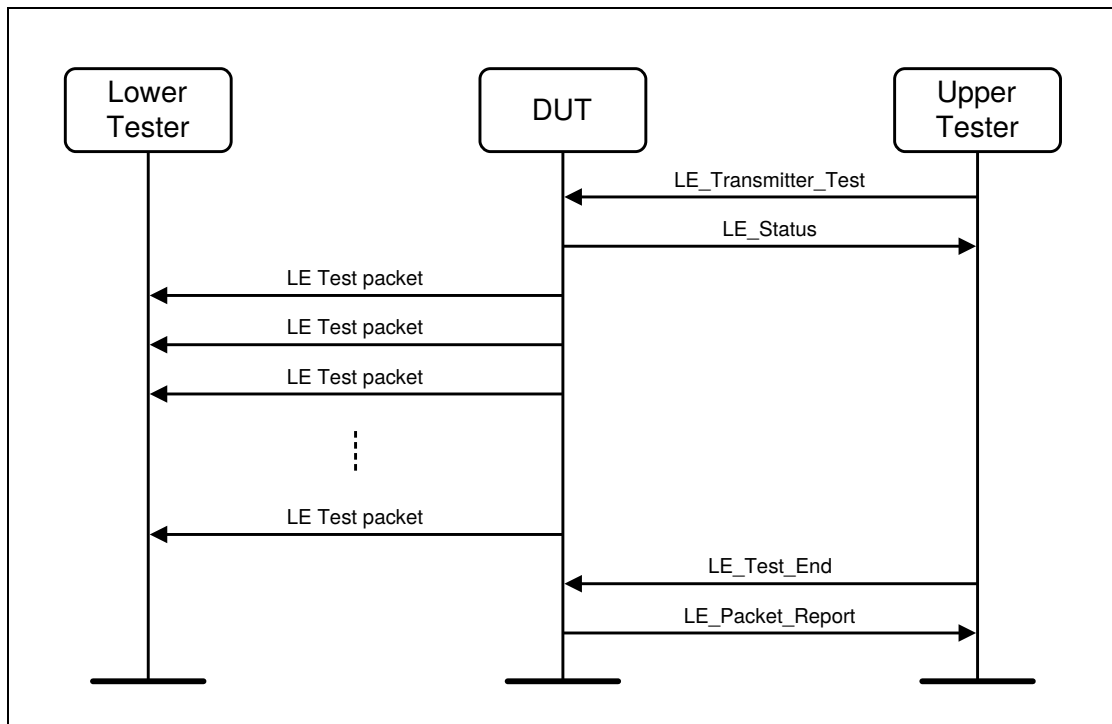


Figure 2.1: Transmitter Test MSC

Receiver Test

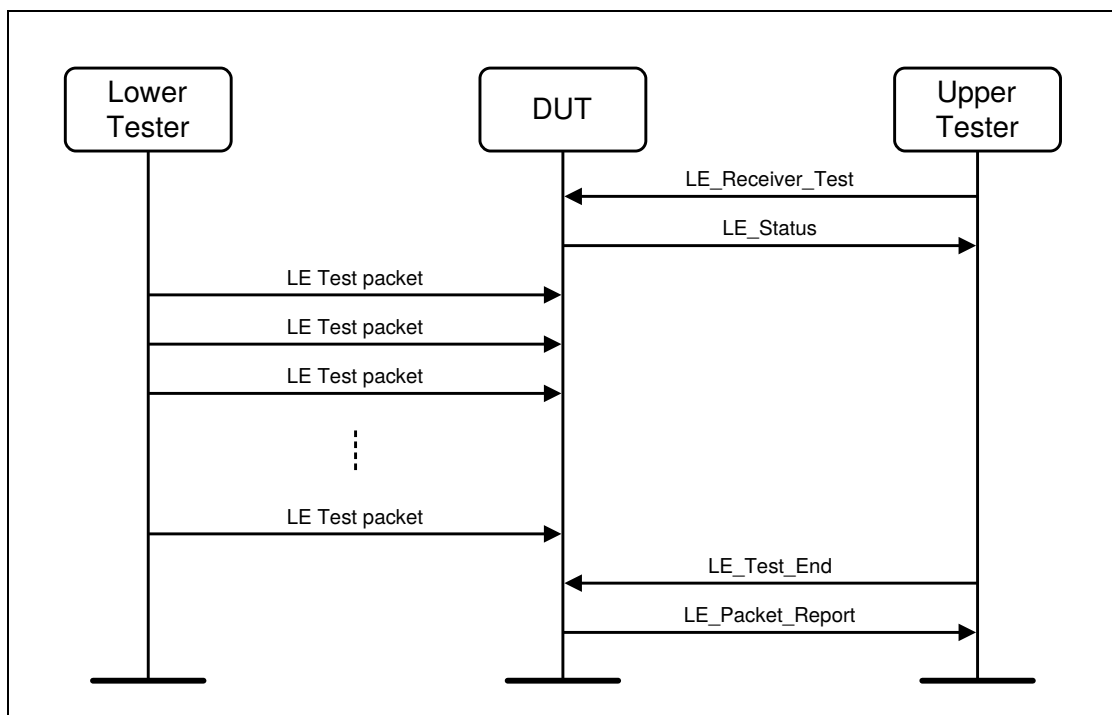


Figure 2.2: Receiver Test MSC



3 UART TEST INTERFACE

3.1 UART INTERFACE CHARACTERISTICS

The UART interface characteristics shall be set to use the following parameters:

- Baud rate: One of the following shall be supported by the DUT:
1200, 2400, 9600, 14400, 19200, 38400, 57600, 115200
- Number of data bits: 8
- No parity
- 1 stop bit
- No flow control (RTS or CTS)

3.2 UART FUNCTIONAL DESCRIPTION

The Upper Tester shall always initiate any a test scenario using the UART interface. The DUT shall respond to the commands from the Upper Tester.

The Upper Tester sends test commands to the DUT. The DUT shall respond with a test status event or packet report event.

The Upper Tester shall not transmit further commands before it receives a response from the DUT. If the Upper Tester does not receive a response from the DUT within the time t_{TIMEOUT} , the Upper Tester shall transmit a reset command (i.e., a test setup command with the control argument set to 0x00) to the DUT and display an appropriate error message. For the reset command, t_{RESPONSE} and t_{TIMEOUT} do not apply.

On reception of a reset command, the DUT shall reset all parameters to their default state.

Definitions

- All commands and events consist of 16 bits (2 bytes).
- The most significant bit is bit number 15.
- The least significant bit is bit number 0.
- The most significant byte is from bit 15 to 8.
- The least significant byte is from bit 7 to 0.
- Commands and events are sent most significant byte (MSB) first, followed by the least significant byte (LSB).



3.3 COMMANDS AND EVENTS

3.3.1 Command and event behavior

Table 3.1 outlines the set of commands which can be received by the DUT and the corresponding response events that can be transmitted by the DUT.

Command (DUT RXD)	Event (DUT TXD)
LE_Test_Setup	LE_Test_Status SUCCESS LE_Test_Status FAIL
LE_Receiver_Test	LE_Test_Status SUCCESS LE_Test_Status FAIL
LE_Transmitter_Test	LE_Test_Status SUCCESS LE_Test_Status FAIL
LE_Test_End	LE_Packet_Report LE_Test_Status FAIL

Table 3.1: 2-Wire command and event behavior

3.3.2 Commands

Command packet formats are shown in Figure 3.1 and Figure 3.2.

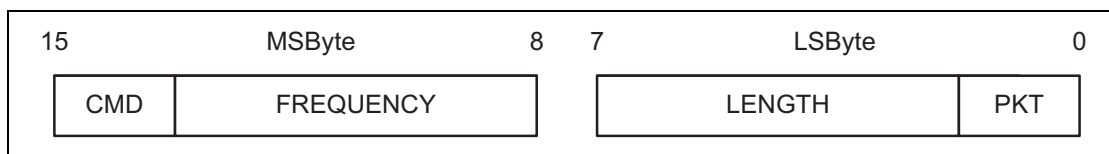


Figure 3.1: Command message format for LE_Transmitter_Test and LE_Receiver_Test commands

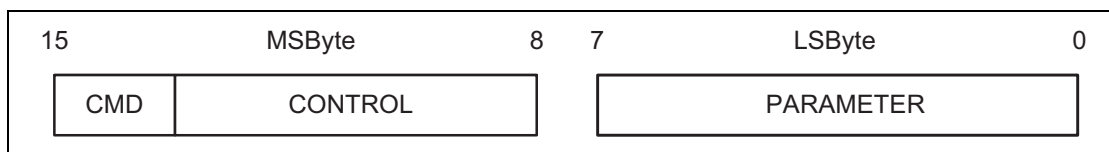


Figure 3.2: Command message format for LE_Test_Setup and LE_Test_End commands

Note: Some cases of the Test Setup and Test End commands have four parameter values, differing only in the bottom 2 bits, specified for the same action. In these cases the specific value chosen does not affect the behavior of the command.

Direct Test Mode



CMD (command):

Size: 2 bits

Value b_1b_0	Parameter Description
00	LE_Test_Setup command
01	LE_Receiver_Test command
10	LE_Transmitter_Test command
11	LE_Test_End command

Test Setup command:

Size: 14 bits

Control (6 bits)	Parameter (8 bits)	Description
0x00	0x00 to 0x03	RESET; the upper 2 bits of the data length for any LE_Transmitter_Test or LE_Receiver_Test commands following are set to 00, the PHY is set to LE 1M, the receiver assumes the transmitter has a standard modulation index, and no Constant Tone Extension is present.
	Any other value	Reserved for future use
0x01	0x00 to 0x0F	Set the upper 2 bits of the data length for any LE_Transmitter_Test or LE_Receiver_Test commands following to bits 2 and 3 of the parameter (to enable a length greater than 0x3F to be used)
	Any other value	Reserved for future use
0x02	0x04 to 0x07	PHY set to LE 1M
	0x08 to 0x0B	PHY set to LE 2M
	0x0C to 0x0F	PHY set to LE Coded; transmitter is to use S=8 data coding
	0x10 to 0x13	PHY set to LE Coded; transmitter is to use S=2 data coding
	Any other value	Reserved for future use
0x03	0x00 to 0x03	Receiver assumes transmitter has a standard modulation index
	0x04 to 0x07	Receiver assumes transmitter has a stable modulation index
	Any other value	Reserved for future use
0x04	0x00 to 0x03	Read the test case supported features. The LE_Test_Status event will return the state of the test case supported features as detailed in the LE_Test_Status event (Section 3.4.1).
	Any other value	Reserved for future use



Control (6 bits)	Parameter (8 bits)	Description
0x05	0x00 to 0x03	Read supportedMaxTxOctets (see [Vol 6] Part B, Section 4.5.10)
	0x04 to 0x07	Read supportedMaxTxTime (see [Vol 6] Part B, Section 4.5.10)
	0x08 to 0x0B	Read supportedMaxRxOctets (see [Vol 6] Part B, Section 4.5.10)
	0x0C to 0x0F	Read supportedMaxRxTime (see [Vol 6] Part B, Section 4.5.10)
	0x10	Read maximum length of Constant Tone Extension supported
	Any other value	Reserved for future use
0x06	0x00	No Constant Tone Extension
	Any other value	CTEInfo (see [Vol 6] Part B, Section 2.5.2)
0x07	0x01	Sample Constant Tone Extension with 1 μ s slots
	0x02	Sample Constant Tone Extension with 2 μ s slots
	Any other value	Reserved for future use
0x08	Bits 0 to 6: 0x01 to 0x4B	Number of antennae in the antenna array
	Any other value	Reserved for future use
	Bit 7: 0	Antenna switching pattern A: 1, 2, 3, ..., n, 1, 2, 3, ..., n, ... (where n is the number of antennae in the antenna array)
	1	Antenna switching pattern B: 1, 2, 3, ..., n, n-1, n-2, ..., 1, ... (where n is the number of antennae in the antenna array)
0x09	-127 to +20	Set transmitter to the specified or the nearest transmit power level Units: dBm
	0x7E	Set transmitter to minimum transmit power level
	0x7F	Set transmitter to maximum transmit power level
	All other values	Reserved for future use

If an AoD Constant Tone Extension is selected when transmitting, Control 0x08 shall be used before starting the test. If an AoA Constant Tone Extension is selected when receiving, Controls 0x07 and 0x08 shall be used before starting the test.

Control 0x07 does not affect receiving AoD Constant Tone Extensions or any transmissions. Control 0x08 does not affect transmitting AoA Constant Tone Extensions or receiving AoD Constant Tone Extensions.

In the receiver test, the CTEInfo field specified using Control 0x06 indicates the expected type and length of the Constant Tone Extension. If either the length or type of the Constant Tone Extension in a received LE Test packet does not match the expected value, then the DUT shall discard that packet.

Direct Test Mode



LE_Test_End command:

Size: 14 bits

Control (6 bits)	Parameter (8 bits)	Description
0x00	0x00 to 0x03	LE_Test_End command
0x00	Any other value	Reserved for future use
0x01 to 0x3F	Any value	Reserved for future use

LE_Transmitter_Test and LE_Receiver_Test commands:

Frequency:

Size: 6 bits

Value	Parameter Description
0x00 to 0x27	The frequency to be used; a value of N represents a frequency of (2N+2402) MHz (the available range is therefore even values from 2402 MHz to 2480 MHz)
0x28 to 0x3F	Reserved for future use

Length:

Size: 6 bits

Value	Parameter Description
0x00 to 0x3F	The lower 6 bits of the packet length in bytes of payload data in each packet (the top two bits are set by the LE_Test_Setup command)

PKT (Packet Type):

Size: 2 bits

Value b_1b_0	Parameter Description
00	PRBS9 Packet Payload
01	11110000 Packet Payload
10	10101010 Packet Payload
11	On the LE Uncoded PHYs: Vendor Specific On the LE Coded PHY: 11111111

3.4 EVENTS

There are two types of events sent by the DUT:

1. LE_Test_Status event
2. LE_Packet_Report event

The event packet format is shown in [Figure 3.3](#). This packet format is used for both LE_Test_Status events and LE_Packet_Report events.

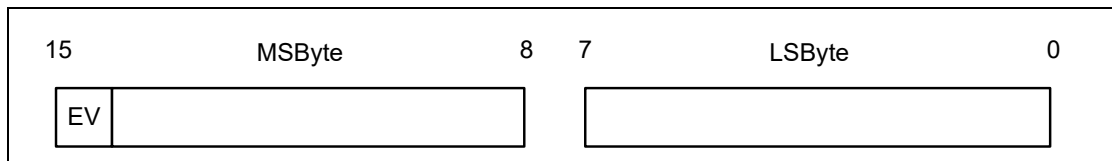


Figure 3.3: Event packet format

EV (event):

Size: 1 bit

Value	Parameter Description
0	LE_Test_Status event
1	LE_Packet_Report event

3.4.1 LE_Test_Status event

The LE_Test_Status event packet format is as shown in Figure 3.4.

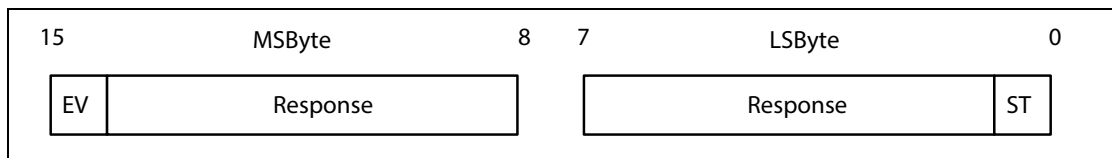


Figure 3.4: LE_Test_Status event

ST (status):

Size: 1 bit

Value	Parameter Description
0	Success
1	Error

Direct Test Mode



Response: ¹

Size: 14 bits

LE_Test_Set up command control parameter	Value bits 1 to 14 ²	Description
0x04	Bit 1	LE Data Packet Length Extension feature supported
	Bit 2	LE 2M PHY supported
	Bit 3	Transmitter has a Stable Modulation Index
	Bit 4	LE Coded PHY supported
	Bit 5	Constant Tone Extension supported
	Bit 6	Antenna switching supported
	Bit 7	1 μs switching supported for AoD transmission
	Bit 8	1 μs sampling supported for AoD reception
	Bit 9	1 μs switching and sampling supported for AoA reception
	Bits 10 to 14	Reserved for future use
0x05	Bits 1 to 14	<p>One of the following values (depending on the parameter in the original query):</p> <ul style="list-style-type: none"> • Maximum transmit or receive time, in microseconds, that the local Controller supports for transmission of a single Link Layer Data Physical Channel PDU, divided by 2. • Maximum number of payload octets that the local Controller supports for transmission of a single Link Layer Data Physical Channel PDU. • Maximum length of the Constant Tone Extension that the local Controller supports for transmission in a Link Layer packet, in 8 μs units. <p>Range:</p> <ul style="list-style-type: none"> • 0x00A4 to 0x2148 for times or • 0x001B to 0x00FF for number of octets. • 0x02 to 0x14 for the maximum Constant Tone Extension length <p>All values outside the range are reserved for future use.</p>



LE_Test_Set up command control parameter	Value bits 1 to 14 ²	Description
0x09	Bits 1 to 8	Actual transmit power level set by the transmitter Range: -127 to +20 Units: dBm
	Bit 9	Set to 1 if the transmitter is at minimum transmit power level
	Bit 10	Set to 1 if the transmitter is at maximum transmit power level
	Bits 11 to 14	Reserved for future use
All other values		Reserved for future use

- ¹ If the event has a status of "Error" or was generated in response to a command other than LE_Test_Setup, then this field is Reserved for future use.
- ² This field is described as having bits 1 to 14 rather than 0 to 13 to avoid confusion.

3.4.2 LE_Packet_Report event

The LE_Packet_Report event packet format is shown in [Figure 3.5](#). The *Packet Count* parameter indicates the number of received LE Test packets. The *Packet Count* in the LE_Packet_Report event ending a transmitter test shall be 0.

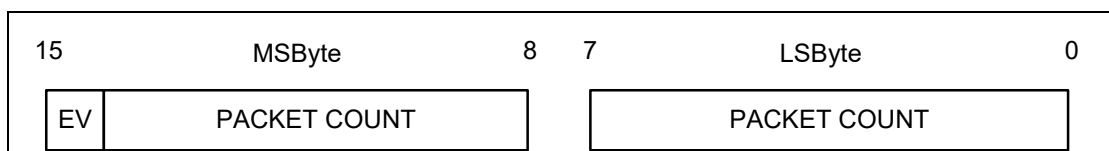


Figure 3.5: LE_Packet_Report event

PACKET COUNT:

Size: 15 bits

Value	Parameter Description
N	N is the number of packets received Range = 0 to 32767.

Note: The DUT is not responsible for any overflow conditions of the packet count. That responsibility belongs with the RFPHY Tester or other auxiliary equipment.



3.5 TIMING – COMMAND AND EVENT

The timing requirements are as shown in [Table 3.2](#).

Symbol	Parameter	Min.	Max.	Unit
b_{ERR}	Baud rate accuracy		± 5	%
t_{MIN}	The time between the first and second byte of the command or event (end of stop bit to start of start bit)	0	5	ms
$t_{RESPONSE}$	The time from a DUT receiving a command (end of stop bit) until the DUT responds (start of start bit)	0	50	ms
$t_{TURNAROUND}$	The time from when the tester receives a response (end of stop bit) until the tester sends another command (start of start bit)	5	-	ms
$t_{TIMEOUT}$	The time from when a tester sends a command (end of stop bit) until the tester times out (not having received end of the stop bit in the response)	51	100	ms

Table 3.2: Parameter requirements table for 2-wire UART interface

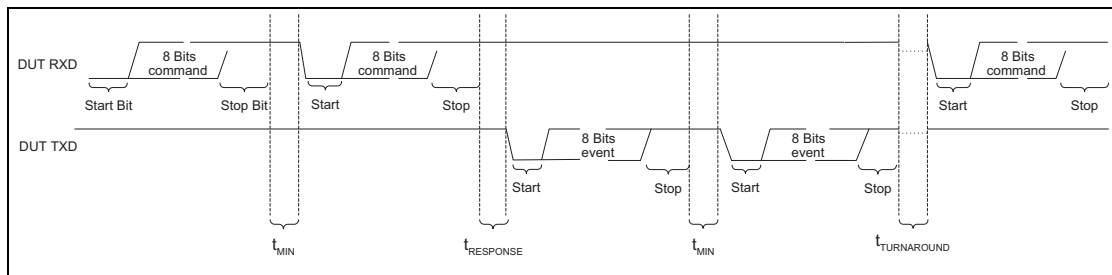


Figure 3.6: Command and event timing on 2-wire UART interface

The commands and events shall be transmitted with two 8-bit bytes with a maximum time between the 2 transmissions. A timeout is required for no response or an invalid response from the DUT.

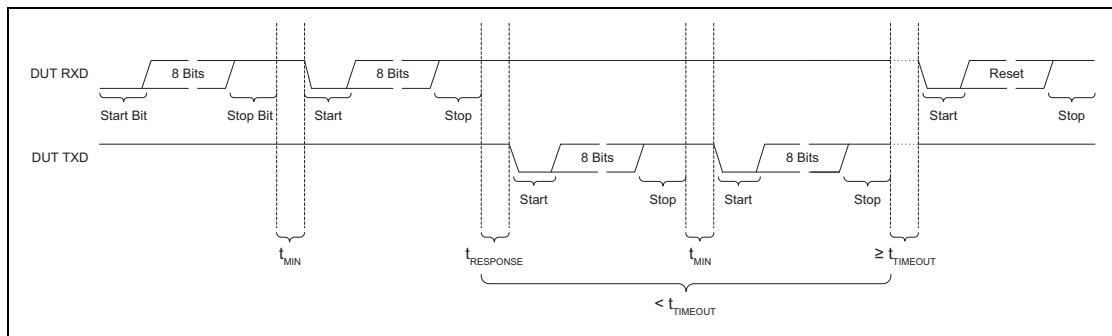


Figure 3.7: Command and event timing on 2-wire UART interface showing timeout

4 LE TEST PACKET DEFINITION

4.1 LE TEST PACKETS FORMAT

The LE Test packet format for the LE Uncoded PHYs shall be as shown in [Figure 4.1](#). The LE Test packet format for the LE Coded PHY shall be as shown in [Figure 4.2](#). LE test packets are required for LE RFPHY conformance testing using Direct Test Mode. Except as modified by this section, the LE Test packet formats shall be identical to the formats specified in [\[Vol 6\] Part B, Section 2.1](#) and [\[Vol 6\] Part B, Section 2.2](#).

Depending on the test, the packet payload content may vary

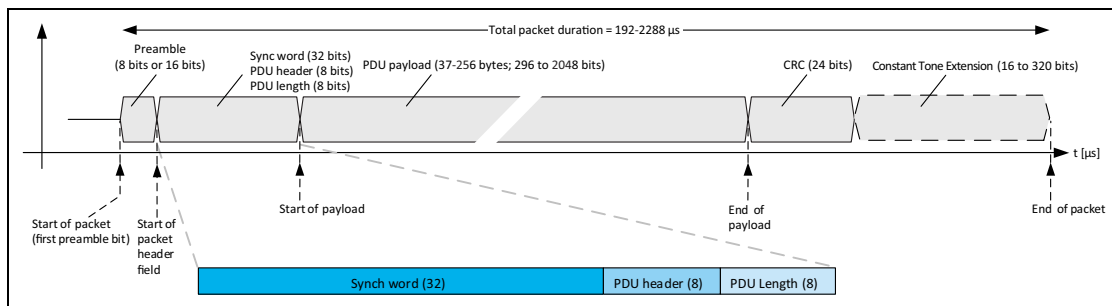


Figure 4.1: LE Test packet format for the LE Uncoded PHYs

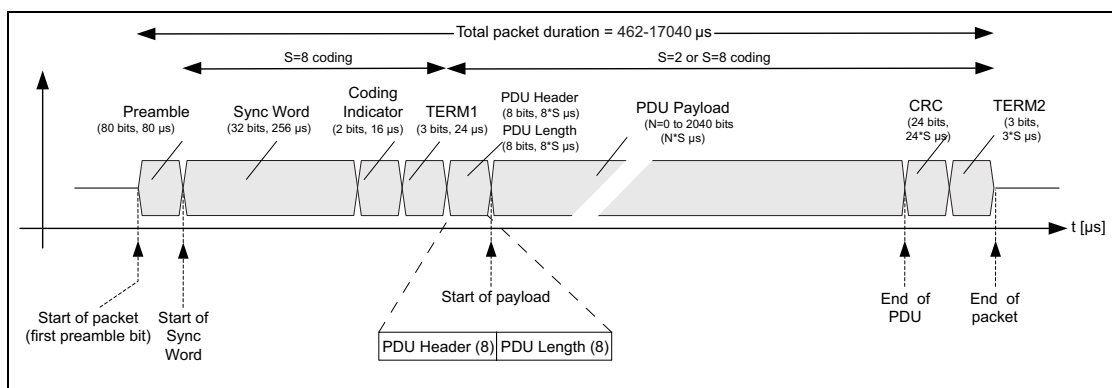


Figure 4.2: LE Test packet format for the LE Coded PHY

4.1.1 Whitening

LE test packets shall not use whitening.

4.1.2 Preamble and synchronization word

LE test packets shall have ‘10010100100000100110111010001110’ (in transmission order) as the synchronization word. The preamble for all LE test packets is thus ‘10101010’ (in transmission order) when the device under test is configured for the LE 1M PHY, ‘1010101010101010’ (in transmission order)



if the device under test is configured for the LE 2M PHY, and the preamble described in [Vol 6] Part B, Section 2.2.1 if the device under test is configured for the LE Coded PHY.

4.1.3 CRC

The CRC shift register shall be preset with 0x555555 for every LE test packet.

4.1.4 LE Test packet PDU

The LE test packet PDU consists of an 8-bit header, an 8-bit length field, an optional 8-bit CTEInfo field, and a variable size payload. Its structure is as shown in Figure 4.3 and Figure 4.4.

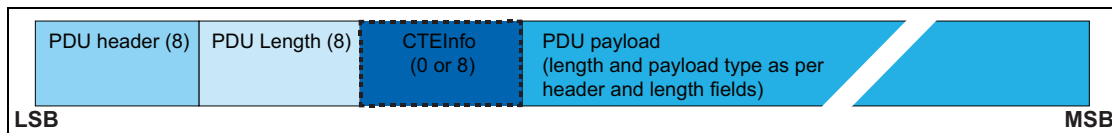


Figure 4.3: LE Test packet PDU structure

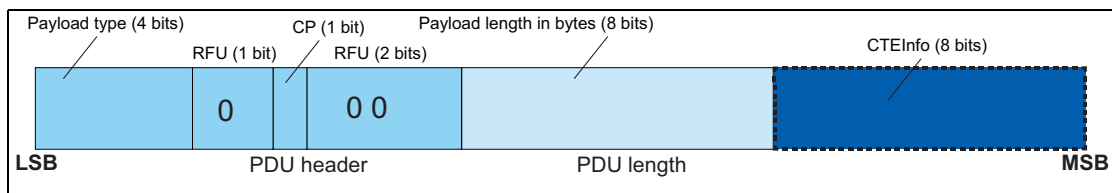


Figure 4.4: LE Test packet header and length field structure

The first four bits of the PDU header field indicate the payload content type as defined in Table 4.1. The CTEInfo Present (CP) field of the PDU header indicates whether the CTEInfo field is present and therefore whether the test packet has a Constant Tone Extension. If the CP field is 0, then no CTEInfo field is present and there is no Constant Tone Extension in the test packet. If the CP field is 1, then the CTEInfo field is present and the test packet includes a Constant Tone Extension. The CTEInfo field is defined in [Vol 6] Part B, Section 2.5.2. The length field expresses the Payload length in bytes.

Note: On the LE Coded PHY, this section defines the PDU contents before coding.



Payload type $b_3b_2b_1b_0$	Payload description
0b0000	PRBS9 sequence '11111111100000111101...' (in transmission order) as described in Section 4.1.5
0b0001	Repeated '11110000' (in transmission order) sequence as described in Section 4.1.5
0b0010	Repeated '10101010' (in transmission order) sequence as described in Section 4.1.5
0b0011	PRBS15 sequence as described in Section 4.1.5
0b0100	Repeated '11111111' (in transmission order) sequence
0b0101	Repeated '00000000' (in transmission order) sequence
0b0110	Repeated '00001111' (in transmission order) sequence
0b0111	Repeated '01010101' (in transmission order) sequence

Table 4.1: LE Test packet PDU header's Type field encoding

Example: For LE test packets with 0x0F payload contents ('11110000' in transmission order) and with an LE test packet payload length of 37 bytes (296 bits), the LE test packet header and length type field will be '1000000010100100' in transmission order.

4.1.5 LE Test packet payload description

The LE test packet payload content alternatives required for the Bluetooth Low Energy RFPHY conformance tests are:

PRBS9:

A 9-bit pseudorandom binary sequence used for wanted signal payload content. The PRBS9 sequence repeats itself after the $(2^9 - 1 = 511)$ bit. The PRBS9 sequence may be generated in a nine stage shift register whose 5th and 9th stage outputs are XORed (see [Figure 4.5](#)) and the result is fed back to the input of the first stage. The sequence begins with the first ONE of 9 consecutive ONES (i.e. the shift register is initialized with nine ONES).

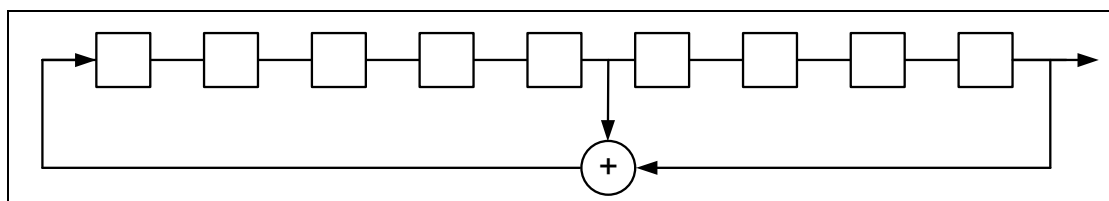


Figure 4.5: Linear feedback shift register for generation of the PRBS9 sequence

The same pseudorandom sequence of bits shall be used for each transmission (i.e. the packet is repeated).



PRBS15:

A 15-bit pseudorandom binary sequence that is used for the interfering signal and can optionally be used for wanted signal payload content. The PRBS15 sequence repeats itself after the $(2^{15} - 1 = 32767)$ bit. The PRBS15 sequence may be generated in a fifteen stage shift register whose 14th and 15th stage outputs are XORed (see [Figure 4.6](#)) and the result is fed back to the input of the first stage. The sequence begins with the first ONE of 15 consecutive ONES (i.e., the shift register is initialized with fifteen ONES).

This PRBS15 definition is consistent with ITU T-REC-01 150-199605-I. SERIES O: SPECIFICATIONS OF MEASURING EQUIPMENT - Equipment for the measurement of digital and analogue/digital parameters.

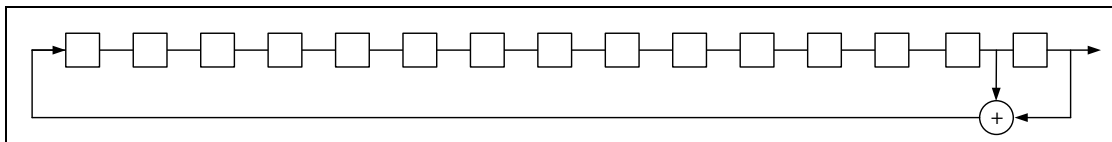


Figure 4.6: Linear feedback shift register for generation of the PRBS15 sequence

The same pseudorandom sequence of bits shall be used for each transmission (i.e. the packet is repeated).

10101010:

Repeated sequence of alternating 1's and 0's, starting at the first payload bit and ending at the start of the first bit in the CRC. This pattern is used to verify the frequency deviation and the Gaussian filtering properties of the transmitter modulator.

11110000:

Repeated sequence of alternating 0's and 1's in groups of four (i.e. 1111000011110000...), starting at the first payload bit and ending at the start of the first bit in the CRC. This pattern is used to verify the frequency deviation and the Gaussian filtering properties of the transmitter modulator.

4.1.6 LE Test packet interval

While in LE direct TX mode, LE test packets shall be transmitted from the EUT with a packet interval $I(L)$ as defined below; see the top half of [Figure 4.7](#) for reference.

While in LE direct RX mode, the nominal packet interval of the LE test packets transmitted from the tester is $I(L)$, but the tester packet interval may be extended to a maximum of $T(L)$ upon change of the dirty transmitter parameter settings and during verification of the EUT PER reporting functionality. See the bottom half of [Figure 4.7](#) for reference.

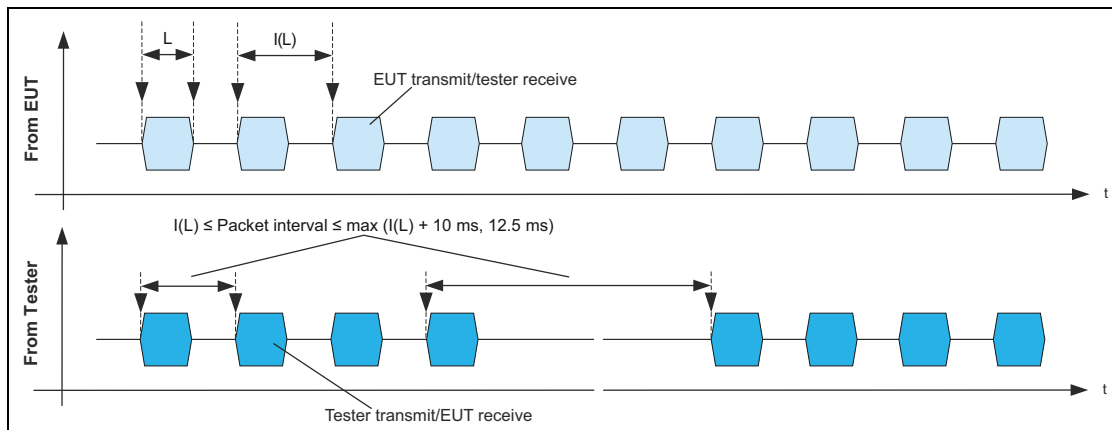


Figure 4.7: LE Test packet interval in LE Direct Test mode

For an LE Test packet length of $L \mu\text{s}$, $I(L) = \lceil (L + 249) / 625 \rceil * 625 \mu\text{s}$ and $T(L) = \max (I(L) + 10 \text{ ms}, 12.5 \text{ ms})$.

4.1.7 Constant Tone Extension

The Constant Tone Extension is an optional field that consists of a constantly modulated series of unwhitened 1s. It is 16 to 160 bits when operating at 1 Msym/s modulation or 32 to 320 bits when operating at 2 Msym/s modulation. The Constant Tone Extension is not included in CRC or MIC calculations. The Constant Tone Extension shall only be present on the LE Uncoded PHYs.

If Direct Test Mode is being used over HCI and a Constant Tone Extension is present in a received packet, the Controller may generate events containing IQ samples of the Constant Tone Extension (see [\[Vol 4\] Part E, Section 7.7.65.21](#)).

ISOCHRONOUS ADAPTATION LAYER

This Part describes the Isochronous Adaptation Layer (ISOAL) which supports segmentation and reassembly, and fragmentation and recombination of packets to and from a higher layer.



CONTENTS

1	Introduction.....	3066
1.1	Terminology	3066
2	ISOAL features	3067
2.1	Unframed PDU	3068
2.2	Framed PDU.....	3069
3	Time_Stamp and Time_Offset	3073
3.1	Time_Offset in framed PDUs.....	3073
3.2	SDU synchronization reference	3074
3.2.1	SDU synchronization reference using framed PDUs	3074
3.2.2	SDU synchronization reference using unframed PDUs	3076
3.3	Time Stamp for SDU.....	3079
4	SDU Recombination and Reassembly	3081



1 INTRODUCTION

The Isochronous Adaptation Layer (ISOAL) provides segmentation, fragmentation, reassembly and recombination services for conversion of SDUs from the upper layer to PDUs of the Link Layer and vice versa. The ISOAL accepts or generates SDUs, each with a length up to the maximum length (Max_SDU), at a rate that is supported by the Controller. SDUs are transferred to and from the upper layer using either HCI ISO Data packets or over an implementation-specific transport.

Note: SDUs in the ISOAL has no relation to SDUs in the L2CAP layer.

1.1 TERMINOLOGY

The following terms are used in the ISOAL:

Term	Description
Upper layer	The upper layer generates and or receives isochronous data packets known as SDUs. The interface between the upper layer and ISOAL may be the HCI or a proprietary interface.
SDU (Service Data Unit)	An SDU is a packet containing isochronous data that is generated or received by the upper layer.
PDU (Protocol Data Unit)	A PDU is a data packet that is transmitted or received in a Connected or Broadcast Isochronous Stream.
Fragment	A part of an SDU, resulting from the fragmentation operation.
Segment	A part of an SDU, resulting from the segmentation operation.
Isochronous interval	The time between two consecutive BIS or CIS events (designated ISO_Interval in the Link Layer).
Unframed PDU	A PDU that contains a fragment.
Framed PDU	A PDU that contains one or more segments.
SDU interval	The nominal time between two consecutive SDUs that are sent or received by the upper layer.
Max_SDU	Maximum size of an SDU.
Synchronization Reference	A time reference of an SDU that allows synchronization of isochronous data in multiple devices.
Time_Stamp	Time stamp (32-bit value in microseconds) of a packet.
Time_Offset	Time offset (24-bit value in microseconds) of a packet.
ISO Data PDU	Either a CIS Data PDU or a BIS Data PDU.

Table 1.1: Terminology

2 ISOAL FEATURES

Figure 2.1 shows the architectural diagram of the ISOAL. The multiplexer in Figure 2.1 shows the route of SDUs to either unframed PDU or framed PDU path.

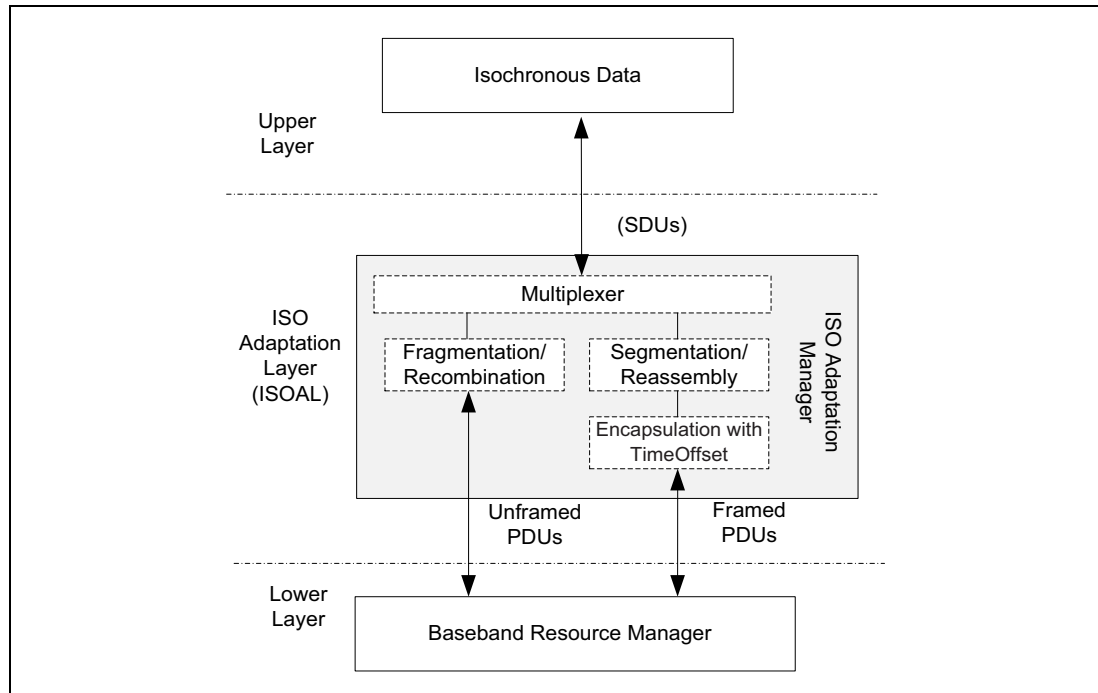


Figure 2.1: ISOAL architectural blocks

- Fragmentation and recombination

The fragmentation process splits an SDU into one or more fragments which are carried by one or more unframed PDUs (see Section 4) in a Connected or Broadcast Isochronous Stream. A fragment shall contain only isochronous data. An SDU with a length less than or equal to the Max_PDU shall be sent in a single unframed PDU. An SDU with a length greater than the Max_PDU shall be sent in multiple fragments in multiple unframed PDUs. The fragmentation process shall use the minimum number of unframed PDUs to transmit the SDU. The recombination process generates an SDU from one or more fragments received in unframed PDUs.

- Segmentation and reassembly

The segmentation process splits an SDU into one or more segments which are carried by one or more framed PDUs (see Figure 2.1) in a Connected or Broadcast Isochronous Stream. A segment shall contain a Segmentation Header (see Section 3) and may contain Time_Offset and isochronous data. The reassembly process combines data from one or more segments received in framed PDUs and generates one or more SDUs.



- Encapsulation and Time_Offset

In the encapsulation process Segmentation Headers and a Time_Offset parameter are added before the first segment of each new SDU allowing timing reconstruction at the peer device (see [Section 3](#).)

Unframed PDUs shall only be used when the ISO_Interval is equal to or an integer multiple of the SDU_Interval and a constant time offset alignment is maintained between the SDU generation and the timing in the isochronous transport. This requires the upper layer to synchronize generation of its data to the effective transport timing. When the Host requests the use of framed PDUs, the Controller shall use framed PDUs.

Framed PDUs are not restricted by the limitations of unframed PDUs and can support any valid combinations of SDU_Interval and ISO_Interval.

SDU_Interval shall be a value, in microseconds, between 0x0000FF and 0x0FFFFFF.

SDUs sent to the upper layer by the ISOAL shall be given a sequence number which is initialized to 0 when the CIS or BIS is created. SDUs received by the ISOAL from the upper layer shall be given a sequence number which is initialized to 0 when the CIS or BIS is created. The upper layer may synchronize its sequence number with the sequence number in the ISOAL once the Datapath is configured and the link is established.

The sequence number shall be incremented for each SDU_Interval, whether or not an SDU was received from the upper layer or included in reports sent to the upper layer.

The sequence number shall be 16 bits and shall be included in the Packet_Sequence_Number parameter in HCI ISO Data Packets.

2.1 UNFRAMED PDU

An unframed PDU is an ISO Data PDU; it shall contain payload from the SDU without additional headers in the payload. An unframed PDU shall only contain payload from a single SDU.

There are two types of unframed PDUs. An unframed PDU containing an end fragment or a complete SDU, and an unframed PDU containing a start or a continuation fragment. Unframed PDUs are identified by the LLID field as described below:

LLID in the header of the ISO Data PDU shall be set to 0b00 in the following conditions:

- When the payload of the ISO Data PDU contains the end fragment of an SDU.
- When the payload of the ISO Data PDU contains a complete SDU.



LLID in the header of the ISO Data PDU shall be set to 0b01 in the following conditions:

- When the payload of the ISO Data PDU contains a start or a continuation fragment of an SDU.
- When the ISO Data PDU is used as padding. This is required when the fragments do not add up to the configured number of PDUs specified by the BN parameter per BIS or CIS event.

In the receiving device the payload from a PDU with LLID = 0b00 shall append the payload from PDUs with LLID = 0b01 to derive the length of the payload of the SDU. The SDU can contain some invalid or missing data due to missing or invalid PDUs. All SDUs shall be sent to the upper layer including the indication of validity of data. A report shall be sent to the upper layer if the SDU is completely missing.

Each fragment shall be sent in a new unframed PDU. Multiple fragments shall not be sent in a single PDU.

BN, Max_PDU and ISO_Interval parameters of the Connected or Broadcast Isochronous Stream shall be set such that the bandwidth of the data transmitted by the Link Layer shall be greater than or equal to the bandwidth of data from the upper layer.

BN shall be an integer multiple of $\text{ISO_Interval} \div \text{SDU_Interval}$ and shall be at least $\lceil \text{Max_SDU} \div \text{Max_PDU} \rceil \times (\text{ISO_Interval} \div \text{SDU_Interval})$.

Each SDU shall generate $\text{BN} \div (\text{ISO_Interval} \div \text{SDU_Interval})$ fragments. All these fragments shall be sent to the Link Layer before any fragments of the next SDU. If an SDU generates less than this number of fragments, empty payloads shall be used to make up the number. Empty payloads shall be PDUs with LLID 0b01 with zero length payload, e.g., when BN=4 and only 3 PDUs are generated from the SDU, an additional padding PDU needs to be added.

When an SDU contains zero length data, the corresponding PDU shall be of zero length and the LLID field shall be set to 0b00.

2.2 FRAMED PDU

A framed PDU is an ISO Data PDU where the payload field is made up of segments or is empty. Each segment is encapsulated by a Segmentation Header and, for each first segment of a new SDU, a Time_Offset field is included to allow for reconstruction of the original SDU timing.

Framed PDUs shall be used when the requirements for using unframed PDUs are not met. Framed PDUs support the aggregation of data from multiple SDUs into a single PDU. The maximum allowed drift (MaxDrift) on the average timing of SDU delivery shall not exceed 100 ppm from the configured value of SDU_Interval.



BN, Max_PDU and ISO_Interval parameters of the Connected or Broadcast Isochronous Stream shall be set such that the bandwidth of the data transmitted by the Link Layer shall be greater than or equal to the bandwidth of data from the upper layer plus the amount of space needed for the headers (including an allowance for MaxDrift). This requirement is met if:

$$BN \times (\text{Max_PDU} - 2) \geq \lceil F \rceil \times 5 + \lceil F \times \text{Max_SDU} \rceil$$

where $F = (1 + \text{MaxDrift}) \times \text{ISO_Interval} \div \text{SDU_Interval}$

The requirement can be met without the inequality being satisfied.

Figure 2.2 shows how multiple segments from multiple SDUs may fit in multiple ISO Data PDUs. Each row in the figure shows the payload field of one PDU. The number and length of segments in the payload shall be limited such that the length of the ISO Data PDU does not exceed the Max_PDU set for the Connected or Broadcast Isochronous Stream.

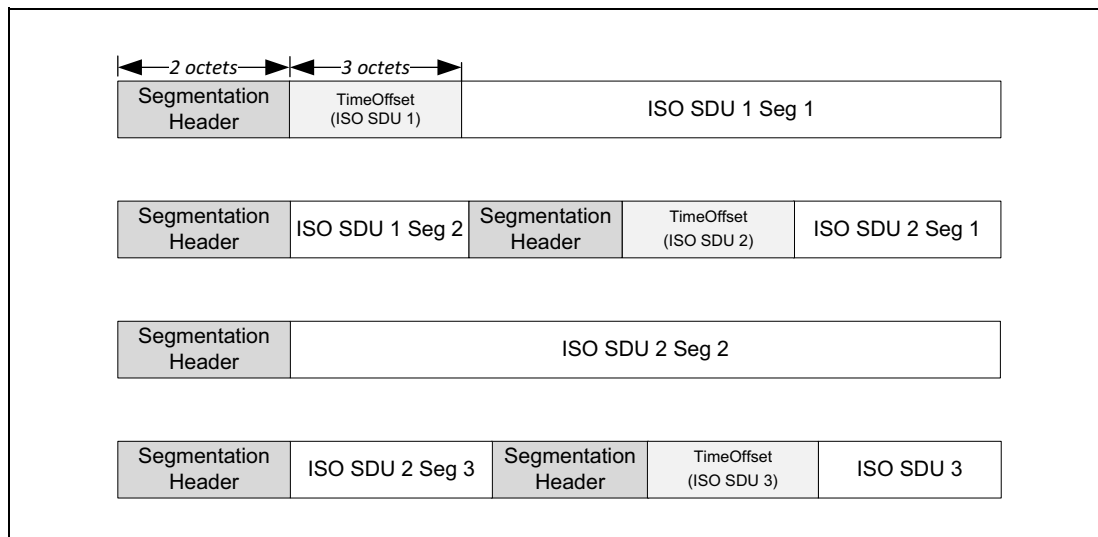


Figure 2.2: Examples of ISO data PDU payload fields with one or more segments

The format of a Segmentation Header is shown in Figure 2.3.

Segmentation Header			
LSB			MSB
SC (1 bit)	CMPLT (1 bit)	RFU (6 bits)	Length (8 bits)

Figure 2.3: Segmentation header format



The fields in the Header is shown in [Table 2.1](#).

Field Name	Description
SC	The Start or Continuation (SC) field indicates that the data following the Segmentation Header is the start of a new SDU or the continuation of a previous SDU.
CMPLT	The Completion (CMPLT) field indicates that the segment following the Segmentation Header in the PDU is the end segment of an SDU.
Length	The length field indicates the size, in octets, of the segment that follows the Segmentation Header in this PDU and, when present, includes the Time_Offset parameter.

Table 2.1: Segmentation Header fields

Each framed PDU starts with a Segmentation Header that contains a SC, CMPLT and a Length field. Depending on the SC field, an additional Time_Offset parameter is included between the Segmentation Header and the start of SDU data to indicate the relative timing difference between the SDU and CIG reference point or BIG anchor point timing.

A framed PDU with non-zero length shall contain one or more segments. A framed PDU with zero length can be used as a padding PDU; such a PDU does not have a Segmentation Header. Padding is required when the data does not add up to the configured number of PDUs that are specified by the BN parameter per BIS or CIS event.

The Segmentation Header includes the SC and the CMPLT fields with the following requirements:

- When SC is set to 0, it indicates the start of a new SDU and that the data that follows the header is part of a new SDU. If SC is set to 1, it indicates a continuation of an SDU that was partially transmitted in a previous isochronous PDU.
- When SC is set to 0, the Segmentation Header shall be followed by a Time_Offset field, otherwise the Time_Offset is omitted and the header is directly followed by a segment of an SDU.
- When CMPLT is set to 0, not all data of the SDU has been included in the current PDU. One or more additional framed PDUs are required to complete the SDU transfer. When CMPLT is set to 1, all remaining data of the SDU is included in the segment and the SDU may be transferred to the higher layer.
- CMPLT is independent of the value of SC.

The Segmentation Header shall contain a Length field. The Length field indicates the number of octets of the SDU data segment following the Segmentation Header including the length of Time_Offset when present (see [Section 3](#)).



Data from a single SDU shall not be split over multiple segments in a single PDU. Additional Segmentation Headers and data from other SDUs may be added depending on available remaining octets in that PDU. When an SDU has zero length, the SDU shall be included with a Segmentation Header with SC set to 0, COMPLT set to 1, and the length field set to the length of the Time_Offset. Such an empty SDU shall contain a correct Time_Offset, to allow the higher layer of the device that receives the empty SDU to maintain synchronization.

Because an isochronous transport is not a reliable transport, Segmentation Headers shall integrally be contained in a single PDU. When insufficient octets remain in a framed isochronous PDU to contain the Segmentation Header and the Time_Offset field, no new Segmentation Header can be added, as shown in Table 2.2. When only 5 octets remain, a new Segmentation Header, including the start of the next SDU, may be included but is not recommended.

SC Start/ continuation	COMPLT Completion	Time_Offset Added	Description
0	0	Yes	The start of a new SDU, where not all SDU data is included in the current PDU, and additional PDUs are required to complete the SDU.
0	1	Yes	The start of a new SDU that contains the full SDU data in the current PDU.
1	0	No	The continuation of a previous SDU. The SDU payload is appended to the previous data and additional PDUs are required to complete the SDU.
1	1	No	The continuation of a previous SDU. Frame data is appended to previously received SDU data and completes in the current PDU.

Table 2.2: Description of Segmentation Header types in framed isochronous PDUs

A start of a new SDU with SC = 0 shall only be used when the previous frame has completed. A continuation of an SDU with SC = 1 shall only be used if the previous transmitted Segmentation Header had the completion flag set to 0.

When one or more ISO Data PDUs are not received, the receiving device may discard all SDUs affected by the missing PDUs. Any partially received SDU may also be discarded. A report shall be sent to the upper layer for each discarded SDU.



3 TIME_STAMP AND TIME_OFFSET

Framed PDUs include a Time_Offset field to allow the reconstruction of the original SDU timing. When using HCI ISO Data packets, a Time_Stamp field may be included. This section defines the usage of these parameters. Every Time_Stamp and Time_Offset shall be derived from a free running reference clock that is not affected by adjustments to synchronize with other devices (e.g. a Peripheral synchronizing to a received packet from the Central (See [Vol 6] Part B, Section 4.5.7, or an adjustment done as part of the PCA feature see [Vol 2] Part B, Section 8.6.10).

3.1 TIME_OFFSET IN FRAMED PDUS

At the transmitter, the Time_Offset is measured from the reference time of the SDU at the source to the CIG Reference point or BIG anchor point of the corresponding CIG or BIG event of the isochronous payload containing the first Segmentation Header of that SDU. This computation excludes any potential retransmissions or missed subevents, resulting in the time of transmission under perfect link conditions. The Time_Offset shall be a positive value.

The reference time of the SDU is determined based on the local timing in the Controller based on either a time stamp of that SDU (e.g., provided via the Time_Stamp parameter in the HCI ISO Data packet) or another mechanism used by the implementation tracking the SDU timing to the transport timing.

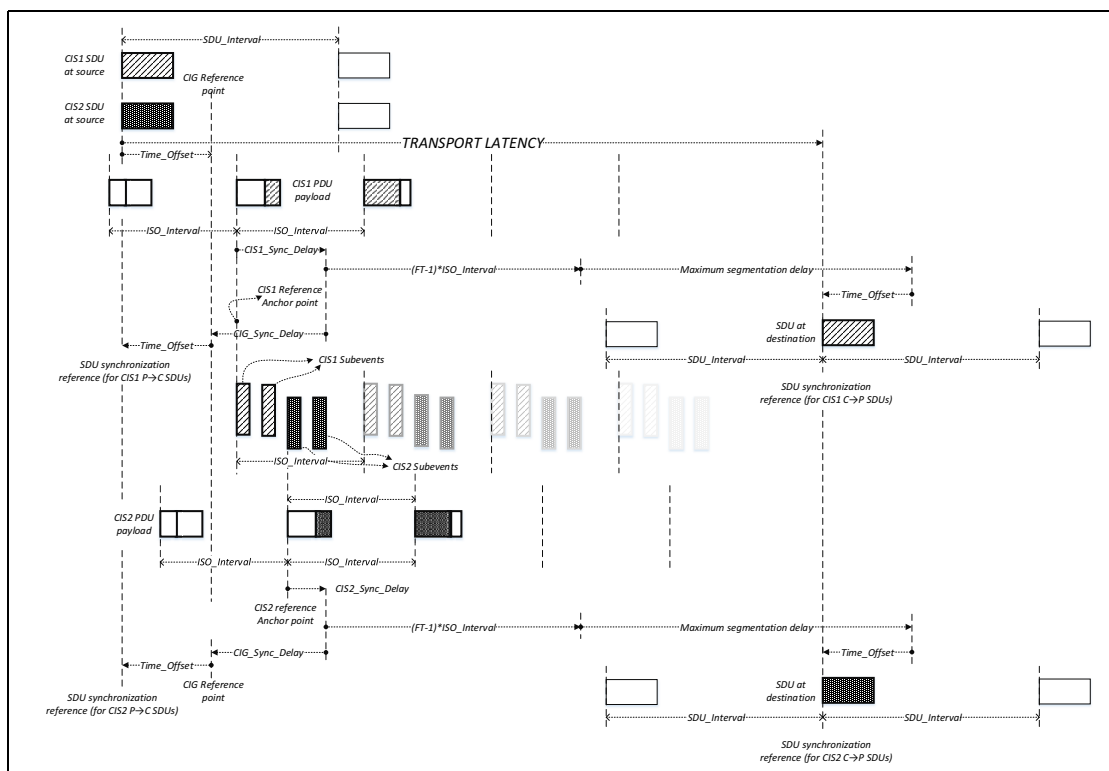


Figure 3.1: SDU synchronization reference using the Time_Offset parameter



For details on the computation of the SDU synchronization reference and transport latency for all options of framed and unframed PDU in CIS and BIS, see [Section 3.2](#).

At the receiver, the CIS reference anchor point is computed excluding any retransmissions or missed subevents, resulting in the time of transmission under perfect link conditions. Similar calculations can be performed for BIG.

Any potential delays in effective transmission shall be excluded in the calculation of `Time_Offset`.

When `BN` is greater than 1, all PDUs belonging to the same CIS or BIG event use the same reference anchor point.

For example, in a CIS with `BN=2` and `FT = 10`, payload number 720 can have its first transmission potentially in CIS event 360 and its last potential transmission in CIS event 369. Even when the transfer effectively takes place in CIS event 365, the CIS reference anchor point for this payload is the anchor point of CIS event 360.

The Controller transmitting an SDU may use any of the following methods to determine the value of the SDU reference time, indicated in [Figure 3.1](#), to define the `Time_Offset` for that SDU:

- A captured timestamp of the SDU
- A timestamp provided by the higher layer
- A computed timestamp based on a sequence counter provided by the higher layer
- Any other method of determining `Time_Offset`

3.2 SDU SYNCHRONIZATION REFERENCE

This section describes the method of managing the SDU synchronization reference in framed and unframed PDUs.

3.2.1 SDU synchronization reference using framed PDUs

Using framed PDUs introduces additional delay in transferring SDUs. This additional delay shall be included when computing the SDU synchronization reference.

When using framed PDUs, the additional delay caused by the segmentation in a system where SDU creation is not synchronized to the transport timing equals one SDU interval plus one Isochronous interval.

The transport latency is the duration between the CIS reference point (or BIG anchor point for BIG) of the first possible CIS event (or BIG event) containing the payload to the CIS synchronization point (or BIG synchronization point) of



the last possible CIG event (or BIG event) containing the payload, plus the segmentation delay (shown as maximum segmentation delay in [Figure 3.1](#) for CIG). Transport latency is measured from the reference time of the SDU to its SDU_Synchronization_Reference and does not include any implementation specific processing times or internal transport delays (e.g., delays over the HCI transport or PDU processing times).

The transport latency for a CIG is the actual latency of transmitting payloads of all CISes in the CIG, and calculates as:

$$\text{Transport_Latency_C_To_P} = \text{CIG_Sync_Delay} + (\text{FT_C_To_P}) \times \text{ISO_Interval} + \text{SDU_Interval_C_To_P}$$

$$\text{Transport_Latency_P_To_C} = \text{CIG_Sync_Delay} + (\text{FT_P_To_C}) \times \text{ISO_Interval} + \text{SDU_Interval_P_To_C}$$

The transport latency for a BIG is the actual latency of transmitting payloads of all BISes in the BIG, and calculates as:

$$\text{Transport_Latency_BIG} = \text{BIG_Sync_Delay} + \text{PTO} \times (\text{NSE} \div \text{BN} - \text{IRC}) * \text{ISO_Interval} + \text{ISO_Interval} + \text{SDU_Interval}$$

The calculated transport latencies shall be less than or equal to those set by the Host.

Each SDU is given a synchronization reference based on the Reference Anchor point.

The CIS reference anchor point is computed excluding any retransmissions or missed subevents and shall be set to the anchor point of the CIS event in which the first PDU containing the SDU could have been transferred.

The BIG reference anchor point is the anchor point of the BIG event that the PDU is associated with (see [\[Vol 6\] Part B, Section 4.4.6.6](#)).

For the Central to Peripheral direction or from the Isochronous Broadcaster to Synchronized Receiver direction, the SDU synchronization point represents the absolute time where the data from a CIG or BIG should be available, and can be used to synchronize between multiple devices.

For SDUs sent from the Central to the Peripheral in CIS using framed PDUs the SDU_Synchronization_Reference shall be calculated as follows:

$$\text{SDU_Synchronization_Reference} = \text{CIS Reference Anchor point} + \text{CIS_Sync_Delay} + \text{SDU_Interval_C_To_P} + \text{FT_C_To_P} \times \text{ISO_Interval} - \text{Time_Offset}$$

For the Peripheral to Central direction, the SDU synchronization point represents the absolute reference time of the origin of an SDU and can be used to synchronize data coming from multiple sources. This point is at the start of the CIG reference point. It could be earlier for framed PDUs.



For SDUs sent from the Peripheral to the Central in CIS using framed PDUs, the SDU_Synchronization_Reference shall be set to the following value:

synchronization reference SDU = CIS reference anchor point +
CIS_Sync_Delay – CIG_Sync_Delay – Time_Offset

For SDUs received in BIS using framed PDUs, the SDU_Synchronization_Reference shall be set to BIG reference anchor point + BIG_Sync_Delay + SDU_Interval + ISO_Interval – Time_Offset.

For example, when the SDU interval is 10.6 ms and the isochronous interval is 10 ms an additional 20.6 ms is added due to segmentation.

This example clarifies the usage of Time_Offset in the Central to Peripheral direction of CIS: at the source an SDU has a reference time X at the Controller clock. The start of the CIS event of the first potential transmission of the PDU that can contain the first part of that SDU is 6.123 ms later in time. The Time_Offset for the initial segment for that SDU will contain the value 6123 decimal or 0x0017EB. During the exchange over the isochronous transport, the PDU was not transmitted at the first possible opportunity, rather the PDU was received by the peer in the pth subevent n events later due to actual conditions of physical transport and potential Controller behavior such as scheduling conflicts at a subevent with starting time Y. Time Y is captured at the clock of the receiving device.

The receiving device computes the CIS reference anchor point time Y1 as follows:

$$Y1 = Y - (p-1) \times \text{Sub_Interval} - n \times \text{ISO_Interval}$$

The SDU synchronization reference for the SDU known as Y2 in μs is computed as:

$$Y2 = Y1 + \text{CIS_Sync_Delay} + \text{SDU_Interval_C_To_P} + (\text{FT_C_To_P} \times \text{ISO_Interval}) - 6123$$

The SDU may be exchanged over multiple PDUs, but the synchronization reference point shall only be computed based on the PDU timing of the PDU containing the first Segmentation Header of the applicable SDU.

3.2.2 SDU synchronization reference using unframed PDUs

Using unframed PDUs does not introduce additional delay when the SDU interval equals the isochronous interval. When the Isochronous interval is larger than the SDU interval, multiple SDUs are received per BIS or CIS event which increases the delay. This additional delay shall be included when computing the SDU_Synchronization_Reference.

The transport latency is the duration between the CIG reference point (or BIG anchor point for BIG) of the first possible CIG event (or BIG event) containing the payload to the CIG synchronization point (or BIG synchronization point) of



the last possible CIG event (or BIG event) containing the payload, plus the additional delay when grouping multiple SDUs in a single ISO_Interval (as shown in [Figure 3.2](#) for CIG). Transport latency is measured from the reference time of the SDU to its SDU_Synchronization_Reference and does not include any implementation specific processing times or internal transport delays (e.g., delays over the HCI transport or PDU processing times).

The Transport_Latency for a CIG is the actual latency of transmitting payloads of all CISEs in the CIG, and calculates as:

$$\text{Transport_Latency_C_To_P} = \text{CIG_Sync_Delay} + (\text{FT_C_To_P} - 1) \times \text{ISO_Interval} + ((\text{ISO_Interval} \div \text{SDU_Interval_C_To_P}) - 1) \times \text{SDU_Interval_C_To_P}$$

$$\text{Transport_Latency_P_To_C} = \text{CIG_Sync_Delay} + (\text{FT_P_To_C} - 1) \times \text{ISO_Interval} + ((\text{ISO_Interval} \div \text{SDU_Interval_P_To_C}) - 1) \times \text{SDU_Interval_P_To_C}$$

These calculations can be simplified as follows:

$$\text{Transport_Latency_C_To_P} = \text{CIG_Sync_Delay} + \text{FT_C_To_P} \times \text{ISO_Interval} - \text{SDU_Interval_C_To_P}$$

$$\text{Transport_Latency_P_To_C} = \text{CIG_Sync_Delay} + \text{FT_P_To_C} \times \text{ISO_Interval} - \text{SDU_Interval_P_To_C}$$

The Transport_Latency for a BIG is the actual latency of transmitting payloads of all BISEs in the BIG, and calculates as:

$$\text{Transport_Latency} = \text{BIG_Sync_Delay} + \text{PTO} \times (\text{NSE} \div \text{BN} - \text{IRC}) \times \text{ISO_Interval} + ((\text{ISO_Interval} \div \text{SDU_Interval}) - 1) \times \text{SDU_Interval}$$

This calculation can be simplified as follows:

$$\text{Transport_Latency} = \text{BIG_Sync_Delay} + (\text{PTO} \times (\text{NSE} \div \text{BN} - \text{IRC}) + 1) \times \text{ISO_Interval} - \text{SDU_Interval}$$

For example, when the SDU interval is 10 ms and the Isochronous interval is 20 ms an additional 10 ms is added due to combination of 2 SDUs in one BIS or CIS event.

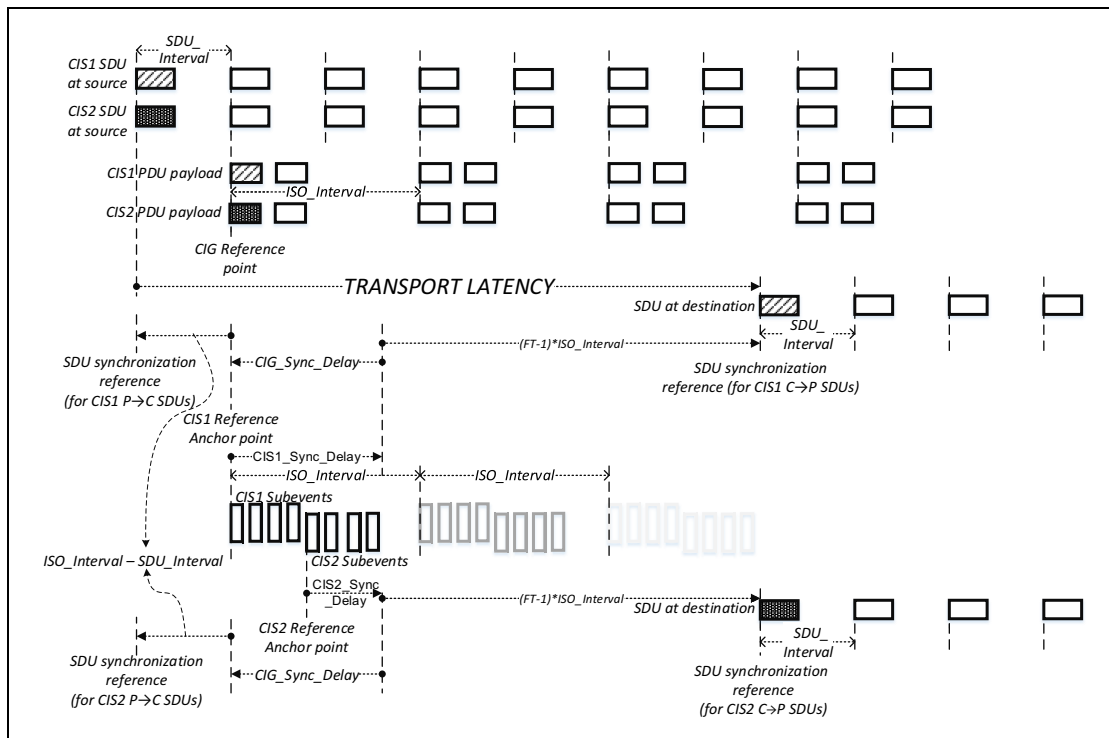


Figure 3.2: SDU synchronization reference using the unframed PDUs

Each SDU is given a synchronization reference point based on the reference anchor point.

The CIS reference anchor point is computed excluding any retransmissions or missed subevents and shall be set to the start of the CIS event in which the first PDU containing the SDU could have been transferred.

The BIG reference anchor point is the anchor point of the BIG event that the PDU is associated with (see [Vol 6] Part B, Section 4.4.6.6).

For the Central to Peripheral direction or from the Isochronous Broadcaster to Synchronized Receiver direction, the SDU synchronization point represents the absolute time where the data from a CIG or BIG should be available, and can be used to synchronize between multiple devices.

For SDUs sent from the Central to the Peripheral in CIS using unframed PDUs the synchronization reference for the first SDU received in a burst of PDUs shall be set to the following value: $SDU_Synchronization_Reference = CIS\ reference\ anchor\ point + CIS_Sync_Delay + (FT_C_To_P - 1) \times ISO_Interval$

For the Peripheral to Central direction, the SDU synchronization point represents the absolute reference time of the origin of an SDU and can be used to synchronize data coming from multiple sources. This point is at the start of the CIG reference point.



For SDUs sent from the Peripheral to the Central in CIS using unframed PDUs, the SDU synchronization reference for the first SDU received in a burst of PDUs shall be set to the following value: $SDU_Synchronization_Reference = CIS\ reference\ anchor\ point + CIS_Sync_Delay - CIG_Sync_Delay - ((ISO_Interval \div SDU_Interval) - 1) \times SDU_Interval$

For SDUs received in BIS using unframed PDUs, the $SDU_Synchronization_Reference$ shall be set to $BIG\ reference\ anchor\ point + BIG_Sync_Delay$.

All PDUs belonging to a burst as defined by the configuration of BN have the same reference anchor point. When multiple SDUs have the same reference anchor point, the first SDU uses the reference anchor point timing. Each subsequent SDU increases the SDU synchronization reference timing with one SDU interval.

3.3 TIME STAMP FOR SDU

When the $Time_Stamp$ field is included in an HCI ISO Data packet from the Controller to the Host, the value of $Time_Stamp$ is set to the synchronization reference for the SDU, as defined in [Section 3.2](#), and is based on the CIS or BIG reference anchor point of the Controller's clock. The Controller should include a $Time_Stamp$.

The Host may determine the CIG reference point or BIG anchor point for the last transmitted SDU from the TX_Time_Stamp and $Time_Offset$ return parameters of the $HCI_LE_Read_ISO_TX_Sync$ command, as shown in [Figure 3.1](#). It may then use this information when providing the $Time_Stamp$ in future HCI ISO Data packets. For each HCI ISO Data packet where the Host can provide a valid $Time_Stamp$ value, it should include a $Time_Stamp$ in those HCI ISO Data packets that it sends.

When an HCI ISO Data packet sent by the Host does not contain a $Time_Stamp$ or the $Time_Stamp$ value is not based on the Controller's clock, the Controller should determine the CIS or BIS event to be used to transmit the SDU contained in that packet based on the time of arrival of that packet.

In each direction, in a given packet, the $Time_Stamp$ provided (if any) shall be one that applies to the SDU corresponding to the $Packet_Sequence_Number$.

When using the $Time_Stamp$ or another suitable method for synchronization, both the higher layer and Controller should implement a mechanism to compensate potential clock drift and jitter. These mechanisms should include long term drift compensation and tolerances on the synchronization method used.

Isochronous Adaptation Layer

The Controller or the higher layer sending or receiving an SDU may use any of the following methods to transfer the synchronization reference of the SDU to the higher layer:

- Timestamps at the Controller's clock
- Any other signaling method suitable to the higher layer



4 SDU RECOMBINATION AND REASSEMBLY

The ISOAL shall reconstruct SDUs from the received framed PDUs and pass all correct SDUs to the upper layer.

As an isochronous transport is not a reliable transport, errors can occur in the transfer of PDUs. Upon packet loss or erroneous reception, multiple SDUs can be affected. The number of affected SDUs will be $(\text{new synchronization reference} - \text{last valid SDU synchronization reference}) / \text{SDU_Interval}$, rounded to the nearest integer, unless clock drift in this period is greater than SDU_Interval .

Each SDU shall be reported to the upper layer. SDUs that are completely missing shall be reported as "lost data". The following SDUs shall either be discarded and reported as "lost data" or be reported as "data with possible errors":

- SDUs with violations in the Segmentation Headers of framed PDUs
- SDUs with a length exceeding Max_SDU . In this case, the length of the SDU reported to the upper layer shall not exceed the Max_SDU length. The SDU shall be truncated to Max_SDU octets.
- SDUs with missing isochronous data due to loss of PDUs.
- SDUs with unreliable isochronous data due to CRC errors in PDUs.



Wireless Coexistence Signaling and Interfaces

Specification of the *Bluetooth*® System

Volume 7

Covered Core Package Version: **5.4**

Version Date: **2023-01-31**

Wireless Coexistence Signaling and Interfaces

Part A

MWS COEXISTENCE LOGICAL SIGNALING SPECIFICATION

This Part specifies the Mobile Wireless Standards (MWS) coexistence logical interface between the Controller and an MWS device.



CONTENTS

1	Introduction.....	3085
2	Logical interface	3086
2.1	Coexistence signals.....	3086
2.1.1	FRAME_SYNC	3086
2.1.2	MWS_RX.....	3087
2.1.3	BLUETOOTH_RX_PRI.....	3087
2.1.4	BLUETOOTH_TX_ON.....	3088
2.1.5	MWS_PATTERN.....	3088
2.1.6	MWS_TX.....	3088
2.1.7	802_TX_ON.....	3088
2.1.8	802_RX_PRI.....	3089
2.1.9	MWS_INACTIVITY_DURATION.....	3089
2.1.10	MWS_SCAN_FREQUENCY.....	3089
2.2	Tolerances for offsets and jitter.....	3089

1 INTRODUCTION

This Part of the specification describes the MWS Coexistence Logical Signaling. A Bluetooth Controller may incorporate a real-time transport interface to transport the logical signals defined in this section between the Bluetooth Controller and an MWS device.

Figure 1.1 depicts the signaling and messaging architecture.

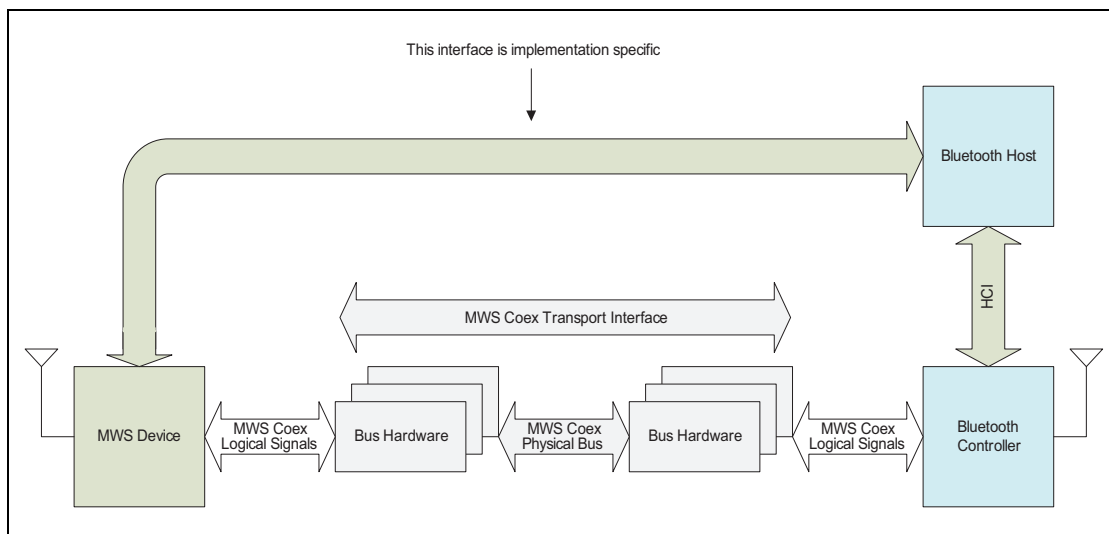


Figure 1.1: Coexistence signaling/messaging architecture

MWS Coexistence logical signaling is designed to enable a standard interface to allow an MWS device and a Bluetooth Controller to exchange information and support cooperative coexistence.

MWS Coexistence logical signaling defines a set of signals between the collocated Bluetooth Controller and MWS device. Those signals carry time critical, real-time information such as the start point of an MWS frame. The coexistence logical signaling architecture also includes a transparent data messaging mechanism to enable passing of information between the MWS device and Bluetooth Controller when such information cannot tolerate the long latency (tens of milliseconds) of the signaling path via the Bluetooth Host.

2 LOGICAL INTERFACE

2.1 COEXISTENCE SIGNALS

[Table 2.1](#) defines the logical signals. These logical signals assist in time alignment, protecting the MWS device and the Bluetooth Controller from mutual interference, thus maximizing the usability of the Bluetooth radio.

Name	Direction	Description
FRAME_SYNC	MWS → Bluetooth	See Section 2.1.1
MWS_RX	MWS → Bluetooth	See Section 2.1.2
BLUETOOTH_RX_PRI	Bluetooth → MWS	See Section 2.1.3
BLUETOOTH_TX_ON	Bluetooth → MWS	See Section 2.1.4
MWS_PATTERN	MWS → Bluetooth	See Section 2.1.5
MWS_TX	MWS → Bluetooth	See Section 2.1.6
802_RX_PRI	Bluetooth → MWS	See Section 2.1.7
802_TX_ON	Bluetooth → MWS	See Section 2.1.8
MWS_INACTIVITY_DURATION	MWS → Bluetooth	See Section 2.1.9
MWS_SCAN_FREQUENCY	MWS → Bluetooth	See Section 2.1.10

Table 2.1: Coexistence signals

The first 8 of these (FRAME_SYNC, MWS_RX, BLUETOOTH_RX_PRI, BLUETOOTH_TX_ON, MWS_PATTERN, MWS_TX, 802_RX_PRI, and 802_TX_ON) are also referred to as the "real-time coexistence signals".

Many of the signals have associated parameters, which are configured by the Bluetooth Host using HCI commands. There is no requirement for signals that are used internally to be connected to an external interface, although testing requires external control of the FRAME_SYNC signal. For example, a combo-device that integrates a Bluetooth Controller and an MWS radio together does not need to bring out the coexistence signals.

[Section 2.2](#) provides recommended values for the defined offset and jitter parameters.

2.1.1 FRAME_SYNC

The FRAME_SYNC signal is sent by the MWS device to indicate the time of the beginning of MWS frames according to the MWS network timing. It provides the anchor point for the Bluetooth Controller to properly align Bluetooth transmission and reception activity with the MWS network frame structure. The time when FRAME_SYNC is sent over the transport, adjusted for MWS_Frame_Sync_Assert_Offset, indicates the start time of the first



Period_Duration parameter in the HCI_Set_External_Frame_Configuration command.

The MWS device will inform the Bluetooth Controller about changes to the layout and timing of the MWS frame by issuing new HCI_Set_External_Frame_Configuration commands.

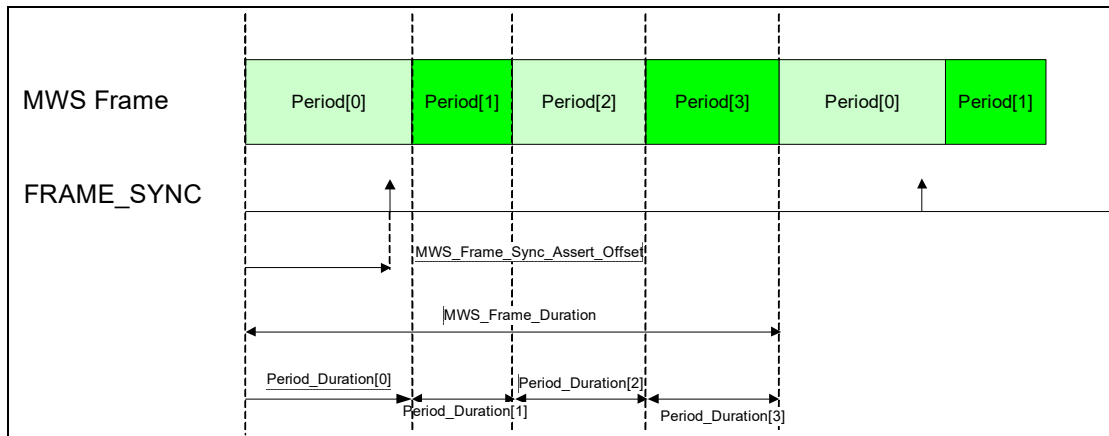


Figure 2.1: Illustration of FRAME_SYNC

2.1.2 MWS_RX

The MWS_RX signal is sent by the MWS device to indicate that an MWS reception is occurring and to request that the Bluetooth Controller cease ongoing transmission and not start a new transmission. The Bluetooth Controller can occasionally disregard the MWS_RX signal for critical transmissions.

The MWS RX signal should be de-asserted at the time an MWS device stops actively receiving. If there are multiple distinct periods of reception within an MWS downlink duration, the signal may stay asserted until the last period has finished receiving.

2.1.3 BLUETOOTH_RX_PRI

The BLUETOOTH_RX_PRI signal is used by the Bluetooth Controller to request that the MWS device cease its transmission and/or refrain from starting a transmission because the Bluetooth Controller is expecting a high priority reception.

The signal should be used minimally by the Bluetooth system so as not to adversely affect the MWS system. There is no guarantee that the MWS device will honor the signal and not transmit or abort an ongoing transmission.



2.1.4 BLUETOOTH_TX_ON

The BLUETOOTH_TX_ON signal is sent by the Bluetooth Controller to indicate that it is actively transmitting.

2.1.5 MWS_PATTERN

The MWS_PATTERN signal is sent by the MWS device to inform the Bluetooth Controller which MWS_PATTERN is in use.

Up to three different MWS_PATTERNS can be selected: 0, 1, and 2. The MWS device may indicate that the MWS_PATTERN has not changed by setting it to 3. The definitions of the patterns are communicated to the Bluetooth Controller using the HCI_Set_MWS_PATTERN_Configuration command. If the pattern is not currently configured, the behaviour is equivalent to setting a pattern that allows unrestricted activity by the Bluetooth Controller.

At the start of each MWS Frame, as defined by the FRAME_SYNC signal plus the MWS_Frame_Sync_Assert_Offset, the most recent MWS_PATTERN value takes effect as follows.

- If it is 3, the current pattern continues in use.
- If it is the index of the current pattern, then that pattern is restarted.
- Otherwise the indicated pattern is started.

2.1.6 MWS_TX

The MWS_TX signal is sent by the MWS device to indicate its transmission state.

The signal should be asserted at the beginning of an MWS transmission and de-asserted at the end of a transmission. If there are multiple transmission periods during an uplink frame, the signal may stay asserted until the end of the last transmission period.

2.1.7 802_TX_ON

Bluetooth technology and 802.11 may be collocated and share an interface to coordinate access to the 2.4 GHz ISM band.

The 802_TX_ON is used by the 802.11 device to indicate the state of the 802.11 transmission.

Interference generated by 802.11 to the MWS device will not necessarily be distinguishable from interference created by Bluetooth transmissions.

This signal allows the MWS device to distinguish the interference generated by 802.11 transmissions from the interference generated by the Bluetooth transmissions. The MWS device can use that information to optimize its channel access.



2.1.8 802_RX_PRI

This signal requests that the MWS device stop or refrain from any transmission because the WLAN device collocated with the Bluetooth Controller is expecting a high priority reception.

The signal should be used minimally by the 802.11 system so as not to adversely affect the MWS system. There is no guarantee that the MWS device will honor the signal and not transmit or abort an ongoing transmission.

2.1.9 MWS_INACTIVITY_DURATION

The MWS_INACTIVITY_DURATION signal provides the time duration until the MWS device is active again. Subsequent MWS_INACTIVITY_DURATION signals override previously sent time durations.

MWS_INACTIVITY_DURATION may be set to zero (i.e. cancel), infinite, or a positive finite duration. The transport layer defines the value for infinite duration and the set of finite durations available.

2.1.10 MWS_SCAN_FREQUENCY

The MWS_SCAN_FREQUENCY signal provides an index to a table of RF frequencies during MWS scan operation.

The MWS device signals MWS_SCAN_FREQUENCY if it starts an inter-frequency scan.

Setting MWS_SCAN_FREQUENCY to a non-zero value indicates the start of the MWS scan period. Setting MWS_SCAN_FREQUENCY to zero indicates the end of the scan period.

The Bluetooth Controller should avoid any transmissions that can interfere with the scan while a scan is active. The Bluetooth Controller can occasionally disregard the signal for critical transmissions.

2.2 TOLERANCES FOR OFFSETS AND JITTER

This section lists the recommended tolerances for the signal assertion and de-assertion offsets and jitter for those signals.

Note: The transmitting side should use a value within the range and the receiving side should accept any value within the range and may accept other values.

An offset is a static advance notification or delay between the real physical event and the time when the corresponding signal is issued.

Jitter is variation in the timing of each signal from ideal timing.



Signals that are turned on and off around a period of time have specified values for both assertion and de-assertion offsets and jitter. Signals that represent a single event at a single instant in time have only assertion offset and jitter timing specified.

All jitter values are given as an unsigned value representing the maximum allowable jitter in positive and negative directions. De-assertion and MWS_Frame_Sync_Assert_Offset may be negative (i.e., signal is asserted before the event) or positive (i.e., signal is asserted after the event). All other assertion signals should be negative (i.e., signal is issued before the event).

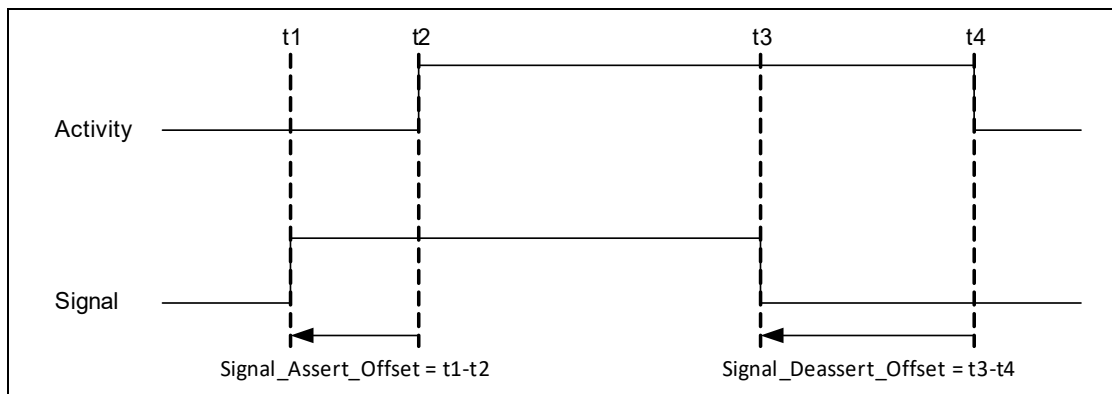


Figure 2.2: Signal with negative Assert Offset and negative De-assert Offset

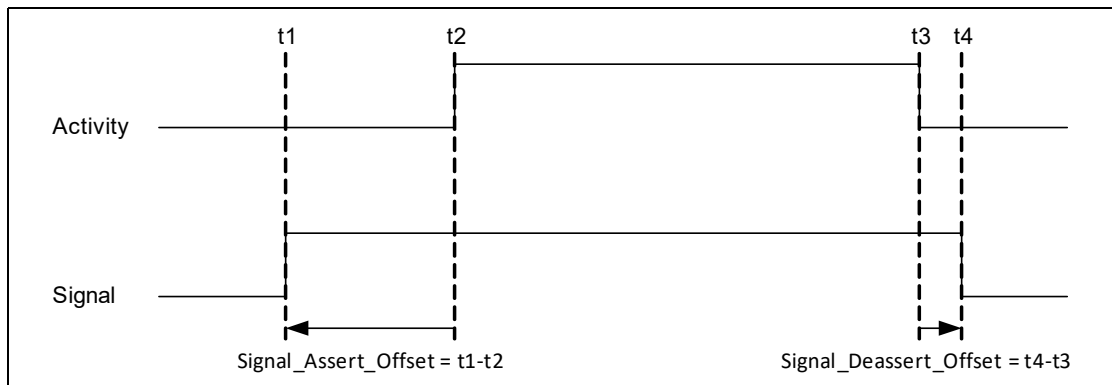


Figure 2.3: Signal with negative Assert Offset and positive De-assert Offset

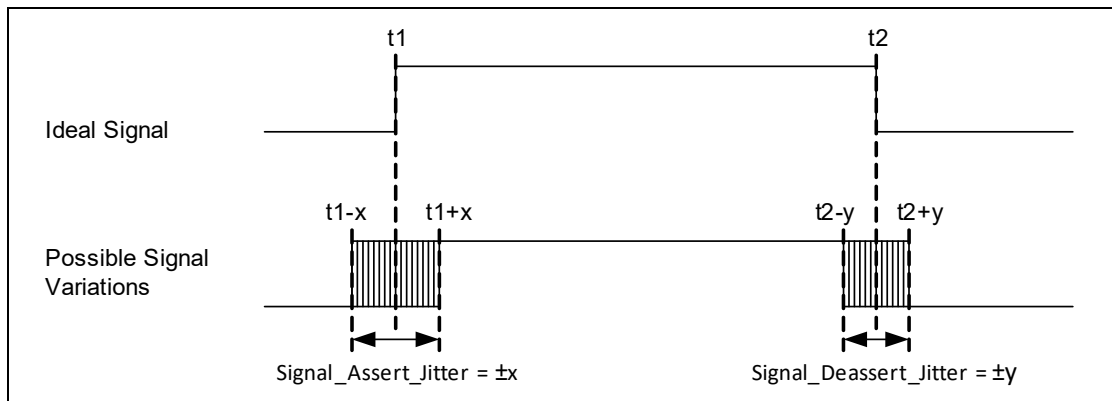


Figure 2.4: Signal assertion and de-assertion jitter

Parameter	Earliest	Latest
MWS_Frame_Sync_Assert_Offset	-MWS_Frame_Duration	+MWS_Frame_Duration
MWS_Rx_Assert_Offset	-2 ms	-20 μ s
MWS_Rx_Deassert_Offset	-2 ms	0
MWS_Tx_Assert_Offset	-2 ms	0
MWS_Tx_Deassert_Offset	-2 ms	0
MWS_Pattern_Assert_Offset	0	+MWS_Frame_Duration
MWS_Inactivity_Duration_Assert_Offset	0	+MWS_Frame_Duration
MWS_Scan_Frequency_Assert_Offset	-2 ms	-20 μ s
Bluetooth_Rx_Priority_Assert_Offset	-1 ms	0
Bluetooth_Rx_Priority_Deassert_Offset	-1 ms	0
802_Rx_Priority_Assert_Offset	-1 ms	0
802_Rx_Priority_Deassert_Offset	-1 ms	0
Bluetooth_Tx_On_Assert_Offset	-100 μ s	0
Bluetooth_Tx_On_Deassert_Offset	0	100 μ s
802_Tx_On_Assert_Offset	-100 μ s	0
802_Tx_On_Deassert_Offset	0	100 μ s
MWS_Priority_Assert_Offset_Request	-1 ms	-200 μ s

Table 2.2: Tolerances for offsets



Parameter	Maximum
MWS_Frame_Sync_Assert_Jitter	3 μ s
MWS_Rx_Assert_Jitter	5 μ s
MWS_Rx_Deassert_Jitter	5 μ s
MWS_Tx_Assert_Jitter	5 μ s
MWS_Tx_Deassert_Jitter	5 μ s
MWS_Pattern_Assert_Jitter	5 μ s
MWS_Inactivity_Duration_Assert_Jitter	5 μ s
MWS_Scan_Frequency_Assert_Jitter	5 μ s
Bluetooth_Rx_Priority_Assert_Jitter	5 μ s
Bluetooth_Rx_Priority_Deassert_Jitter	5 μ s
802_Rx_Priority_Assert_Jitter	5 μ s
802_Rx_Priority_Deassert_Jitter	5 μ s
Bluetooth_Tx_On_Assert_Jitter	5 μ s
Bluetooth_Tx_On_Deassert_Jitter	5 μ s
802_Tx_On_Assert_Jitter	5 μ s
802_Tx_On_Deassert_Jitter	5 μ s

Table 2.3: Tolerances for jitter

Wireless Coexistence Signaling and Interfaces
Part B

**WIRELESS COEXISTENCE
INTERFACE 1 (WCI-1) TRANSPORT
SPECIFICATION**

This Part specifies the MWS Wireless Coexistence Interface 1 (WCI-1) Transport Interface between the Bluetooth Controller and an MWS device.



CONTENTS

- 1 Introduction..... 3095**
- 2 Physical layer..... 3096**
 - 2.1 Physical signal specifications 3097
- 3 Transport layer..... 3100**
 - 3.1 Message types 3100
 - 3.1.1 Real-time Signal message (Type 0)..... 3101
 - 3.1.2 Transport Control message (Type 1) 3102
 - 3.1.3 Transparent Data message (Type 2) 3102
 - 3.1.4 MWS Inactivity Duration message (Type 3)..... 3103
 - 3.1.5 MWS Scan Frequency message (Type 4) 3103



1 INTRODUCTION

This Part of the specification describes the MWS Wireless Coexistence Interface 1 (WCI-1) Transport for a Bluetooth Controller. It provides a half-duplex UART carrying logical signals framed as UART characters. Only the TXD and RXD UART signals are used.

Note: The physical layers for WCI-1 and WCI-2 (see [\[Vol 7\] Part C](#)) differ but the transport layers are identical.



2 PHYSICAL LAYER

The WCI-1 physical layer multiplexes the UART TXD and RXD onto a single wire, using drive strengths to resolve contention. The MWS device uses direct drive to transmit its signals, while the Bluetooth Controller uses a pull up / pull down drive to transmit its signals. The configuration is illustrated in [Figure 2.1](#).

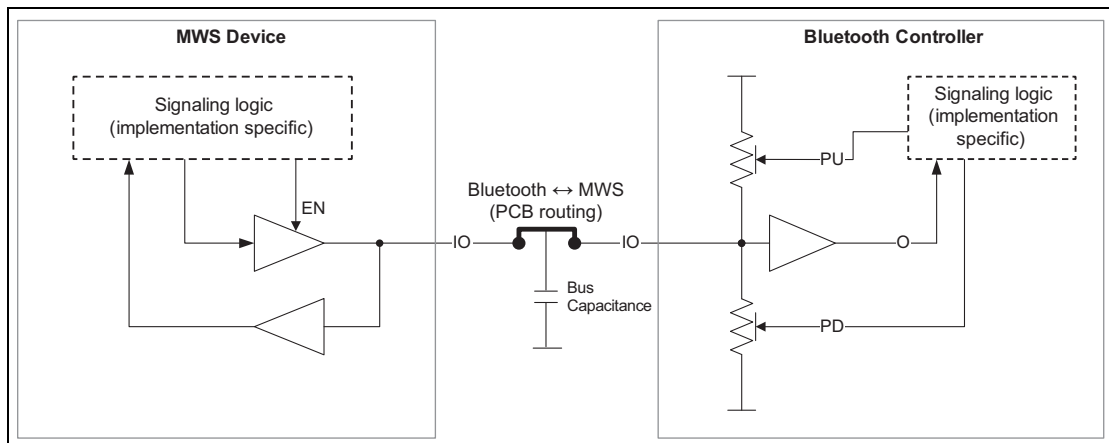


Figure 2.1: WCI-1 physical interface

A high voltage on the wire shall be interpreted as a logical 1 and a low voltage shall be interpreted as a logical 0. The actual voltage levels are vendor specific.

The MWS device output buffer shall be in the high impedance state when it is not transmitting. The Bluetooth Controller shall be in the pulled-up state when it is not transmitting.

The MWS device may transmit at any time, using the waveform illustrated in [Figure 2.2](#).

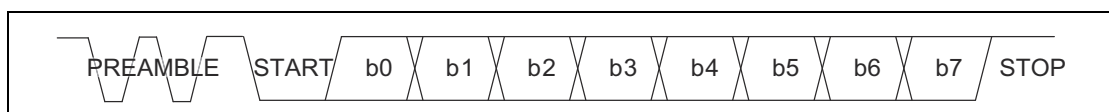


Figure 2.2: UART waveform for MWS-to-Bluetooth signals

Every MWS-to-Bluetooth message shall be preceded by a preamble, which consists of 5 bits ‘01011’ (in transmission order). The preamble is sent at a baud rate that is at least twice the baud rate of Bluetooth-to-MWS signals¹. The nominal drive strength for the preamble should be targeted at no more than 250 Ω equivalent output resistance. The Bluetooth Controller shall be able to detect the preamble and go into the reception mode to receive the message

1. The preamble baud rate should be one that is supported by the underlying UART of the Bluetooth device.



that follows. If the Bluetooth Controller detects a preamble while it is transmitting, it shall stop the transmission and go into the reception mode. After completion of the reception, it may retransmit the message that was interrupted.

When the Bluetooth Controller is not in the reception mode, it may transmit a message using the pull up / pull down mechanism. The nominal pull strength should be targeted at $4\text{ k}\Omega \pm 1\text{ k}\Omega$ equivalent resistance for both pull up and pull down. The Bluetooth-to-MWS waveform is illustrated in [Figure 2.3](#).

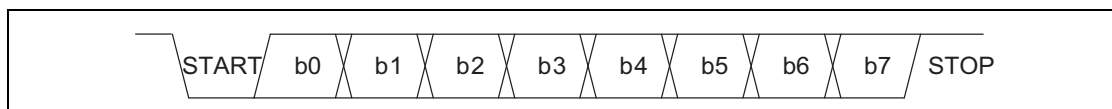


Figure 2.3: UART waveform for Bluetooth-to-MWS signals

2.1 PHYSICAL SIGNAL SPECIFICATIONS

[Table 2.1](#) and [Table 2.2](#) provide more complete specifications for the physical signals. They are provided as a reference to device makers:

Symbol	Parameter	Condition	Value	
			Min	Max
V_{IL}	Low level input voltage	V_{DD} in the range 1.8 V to 2.5 V ¹	-0.5 V	$0.2 \times V_{DD}$
V_{IH}	High level input voltage	V_{DD} in the range 1.8 V to 2.5 V ¹	$0.8 \times V_{DD}$	$V_{DD} + 0.5\text{ V}$
V_{OL}	Low level output voltage (with extra pull high R_B)	V_{DD} in the range 1.8 V to 2.5 V ¹ $R_B = 2.5\text{ k}\Omega$	0 V	$0.1 \times V_{DD}$
V_{OH}	High level output voltage (with extra pull low R_B)	V_{DD} in the range 1.8 V to 2.5 V ¹ $R_B = 2.5\text{ k}\Omega$	$0.9 \times V_{DD}$	V_{DD}
C_{IO}	Capacitance for I/O	none	0 F	5 pF
CB	Capacitive load for bus	none	0 F	10 pF
R_{ON}	Turn on impedance	none	0 Ω	250 Ω

Table 2.1: WCI-1 UART physical signal specification for the MWS device



Symbol	Parameter	Condition	Value	
			Min	Max
T_R	Rise time (10% to 90% swing time, with extra pull low R_B and capacitive load $C_L = C_B + \text{other IO}$)	$R_B = 2.5 \text{ k}\Omega$ $C_L = 15 \text{ pF}$	0 s	50 ns
T_F	Fall time (90% to 10% swing time, with extra pull high R_B and capacitive load $C_L = C_B + \text{other IO}$)	$R_B = 2.5 \text{ k}\Omega$ $C_L = 15 \text{ pF}$	0 s	50 ns
CLK_j	Clock jitter	<i>none</i>	<i>none</i>	1%

Table 2.1: WCI-1 UART physical signal specification for the MWS device

Symbol	Parameter	Condition	Value	
			Min	Max
V_{IL}	Low level input voltage	V_{DD} in the range 1.8 V to 2.5 V ¹	-0.5 V	$0.2 \times V_{DD}$
V_{IH}	High level input voltage	V_{DD} in the range 1.8 V to 2.5 V ¹	$0.8 \times V_{DD}$	$V_{DD} + 0.5 \text{ V}$
V_{OL}	Low level output voltage	V_{DD} in the range 1.8 V to 2.5 V ¹	0 V	$0.1 \times V_{DD}$
V_{OH}	High level output voltage	V_{DD} in the range 1.8 V to 2.5 V ¹	$0.9 \times V_{DD}$	V_{DD}
C_{IO}	Capacitance for I/O	<i>none</i>	0 F	5 pF
CB	Capacitive load for bus	<i>none</i>	0 F	10 pF
R_P	Pull up/pull down resistance	<i>none</i>	3 k Ω	5 k Ω
T_R	Rise time (10% to 90% swing time, with capacitive load $C_L = C_B + \text{other IO}$)	$C_L = 15 \text{ pF}$	0 s	220 ns

Table 2.2: WCI-1 UART physical signal specification for the Bluetooth Controller



Symbol	Parameter	Condition	Value	
			Min	Max
T_F	Fall time (90% to 10% swing time, with capacitive load $C_L = C_B + \text{other IO}$)	$C_L = 15 \text{ pF}$	0 s	220 ns
CLK_j	Clock jitter	<i>none</i>	<i>none</i>	1%

Table 2.2: WCI-1 UART physical signal specification for the Bluetooth Controller

Notes:

1. The voltage levels are vendor specific. [Table 2.1](#) and [Table 2.2](#) do not cover all possible ranges of voltage for all devices, nor is it required that a single device be able to operate in the full range indicated here.
2. The values in these tables are based on a MWS-to-Bluetooth baud rate of 4 megabits per second and a Bluetooth-to-MWS baud rate of 1 megabit per second, in each case $\pm 1\%$. The actual baud rates used are vendor-specific.



3 TRANSPORT LAYER

The transport layer defines the mapping of the logical coexistence signals (see [Vol 7] Part A) onto the physical transport channel.

The 8-bit UART character is divided into two portions with three bits for the message type indicator and five bits for the message body. The bit with index 0 is the LSB and shall be transmitted first.

b0	b1	b2	b3	b4	b5	b6	b7
Type[0]	Type[1]	Type[2]	MSG[0]	MSG[1]	MSG[2]	MSG[3]	MSG[4]

Table 3.1: Transport layer format

3.1 MESSAGE TYPES

This section describes the message formats for the logical coexistence signals. The message types are listed in Table 3.2.

Message Type Indicator	Direction	Message Type
0	MWS ↔ Bluetooth	Real-time Signal message
1	MWS ↔ Bluetooth	Transport Control message
2	MWS ↔ Bluetooth	Transparent Data message
3	MWS → Bluetooth	MWS Inactivity Duration message
	Bluetooth → MWS	RFU
4	MWS → Bluetooth	MWS Scan Frequency message
	Bluetooth → MWS	RFU
5	MWS → Bluetooth	RFU
	Bluetooth → MWS	RFU
6	Vendor-specific	
7	Vendor-specific	

Table 3.2: Message types



The logical coexistence signals are listed in [Table 3.3](#).

Signal Name	Description
FRAME_SYNC	See [Vol 7] Part A, Section 2.1.1
MWS_RX	See [Vol 7] Part A, Section 2.1.2
BLUETOOTH_RX_PRI	See [Vol 7] Part A, Section 2.1.3
BLUETOOTH_TX_ON	See [Vol 7] Part A, Section 2.1.4
MWS_PATTERN	See [Vol 7] Part A, Section 2.1.5
MWS_TX	See [Vol 7] Part A, Section 2.1.6
802_TX_ON	See [Vol 7] Part A, Section 2.1.7
802_RX_PRI	See [Vol 7] Part A, Section 2.1.8
MWS_INACTIVITY_DURATION	See [Vol 7] Part A, Section 2.1.9
MWS_SCAN_FREQUENCY	See [Vol 7] Part A, Section 2.1.10

Table 3.3: Coexistence signals

3.1.1 Real-time Signal message (Type 0)

The Real-time Signal message is used to transport the real-time coexistence signals (see [\[Vol 7\] Part A](#)) over the WCI-1 transport interface.

The Real-time Signal message conveys all the real-time coexistence signals in one message. The time reference point for the Real-time Signal message is the end of MSG[4] (i.e. the transition to the STOP bit).

Two Real-time Signal messages are defined, one from the Bluetooth Controller to the MWS device and another from the MWS device to the Bluetooth Controller.

MSG[0]	MSG[1]	MSG[2]	MSG[3]	MSG[4]
FRAME_SYNC	MWS_RX	MWS_TX	MWS_PATTERN[0]	MWS_PATTERN[1]

Table 3.4: Real-time Signal message from MWS device to Bluetooth Controller

MSG[0]	MSG[1]	MSG[2]	MSG[3]	MSG[4]
BLUETOOTH_RX_PRI	BLUETOOTH_TX_ON	802_RX_PRI	802_TX_ON	RFU

Table 3.5: Real-time Signal message from Bluetooth Controller to MWS device



3.1.2 Transport Control message (Type 1)

The Transport Control message can request state information from the MWS device’s coexistence interface.

MSG[0]	MSG[1]	MSG[2]	MSG[3]	MSG[4]
RESEND_REAL_TIME	RFU	RFU	RFU	RFU

Table 3.6: Transport Control message

Signal Name	Description
RESEND_REAL_TIME	<p>This bit is set if a device wants to get a status update of the real-time coexistence signals. The signal is usually used after wake-up from sleep of the transport interface.</p> <p>If the receiving device’s transport interface is awake it shall send a Real-time message with the current status of the real-time coexistence signals within 4 UART character periods. If the signal is not received within 4 UART character periods the device is considered asleep.</p>

Table 3.7: Transport Control signals

3.1.3 Transparent Data message (Type 2)

The Transparent Data message can be used to exchange non-time critical signals between the MWS device and the Bluetooth Controller. The interface does not guarantee the delivery of a message. Protocol and content of the message are vendor specific.

Each octet to be transmitted is split into two 4-bit parts, called "nibbles". The least significant nibble consists of bits 0 to 3 of the octet and shall be transmitted first. The most significant nibble consists of bits 4 to 7 of the octet and shall be transmitted after the least significant nibble.

A least significant nibble shall be discarded if the next nibble is a least significant nibble. A most significant nibble shall only be accepted if the preceding nibble was a least significant nibble.

MSG[0]	MSG[1]	MSG[2]	MSG[3]	MSG[4]
NIBBLE_POSITION	DATA[0] / DATA[4]	DATA[1] / DATA[5]	DATA[2] / DATA[6]	DATA[3] / DATA[7]

Table 3.8: Transparent Data message



Signal Name	Description
NIBBLE_POSITION	0 – Least Significant Nibble 1 – Most Significant Nibble
DATA[n]; n = 0..7	Data bits of the message octet

Table 3.9: Transparent Data bits

3.1.4 MWS Inactivity Duration message (Type 3)

The MWS Inactivity Duration message is used to send the MWS_INACTIVITY_DURATION signal from the MWS device to the Bluetooth Controller.

The message is sent at the beginning of an MWS inactivity period.

MSG[0]	MSG[1]	MSG[2]	MSG[3]	MSG[4]
DURATION[0]	DURATION[1]	DURATION[2]	DURATION[3]	DURATION[4]

Table 3.10: MWS Inactivity Duration message

The MWS Inactivity Duration is encoded in 5 bits. DURATION is unsigned.

When DURATION = 0, MWS_INACTIVITY_DURATION is cancelled.
 When DURATION = 31, MWS_INACTIVITY_DURATION is infinite.
 Otherwise, MWS_INACTIVITY_DURATION is given by the formula:

$$\text{MWS_INACTIVITY_DURATION} = \text{DURATION} * 5 \text{ ms}$$

3.1.5 MWS Scan Frequency message (Type 4)

The MWS Scan Frequency message is used to send the MWS_SCAN_FREQUENCY signal from the MWS device to the Bluetooth Controller.

MSG[0]	MSG[1]	MSG[2]	MSG[3]	MSG[4]
FREQ[0]	FREQ[1]	FREQ[2]	FREQ[3]	FREQ[4]

Table 3.11: MWS Scan Frequency message

The MWS Scan Frequency index is encoded in 5 bits. FREQ is unsigned.

Wireless Coexistence Signaling and Interfaces
Part C

**WIRELESS COEXISTENCE
INTERFACE 2 (WCI-2) TRANSPORT
SPECIFICATION**

This Part specifies the MWS Wireless Coexistence Interface 2 (WCI-2) Transport Interface between the Bluetooth Controller and an MWS device.



CONTENTS

- 1 Introduction..... 3106**
- 2 Physical layer..... 3107**
- 3 Transport layer..... 3108**
 - 3.1 Message types 3108
 - 3.1.1 Real-time Signal message (Type 0)..... 3109
 - 3.1.2 Transport Control message (Type 1) 3110
 - 3.1.3 Transparent Data message (Type 2) 3110
 - 3.1.4 MWS Inactivity Duration message (Type 3).....3111
 - 3.1.5 MWS Scan Frequency message (Type 4)3111



1 INTRODUCTION

This Part of the specification describes the MWS Wireless Coexistence Interface 2 (WCI-2) Transport Interface for a Bluetooth Controller.

Note: The physical layers for WCI-2 and WCI-1 (see [\[Vol 7\] Part B](#)) differ but the transport layers are identical.



2 PHYSICAL LAYER

The WCI-2 Transport is based on a standard full duplex UART carrying logical signals framed as UART characters. Only the TXD and RXD UART signals are used. The interface supports multiple logical channels.

The messaging is based on a standard UART format.

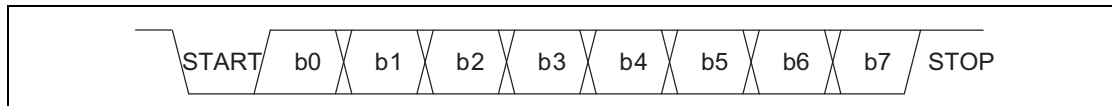


Figure 2.1: UART waveform

The UART signals shall be connected in a null-modem fashion; i.e. the local TXD shall be connected to the remote RXD and vice versa.

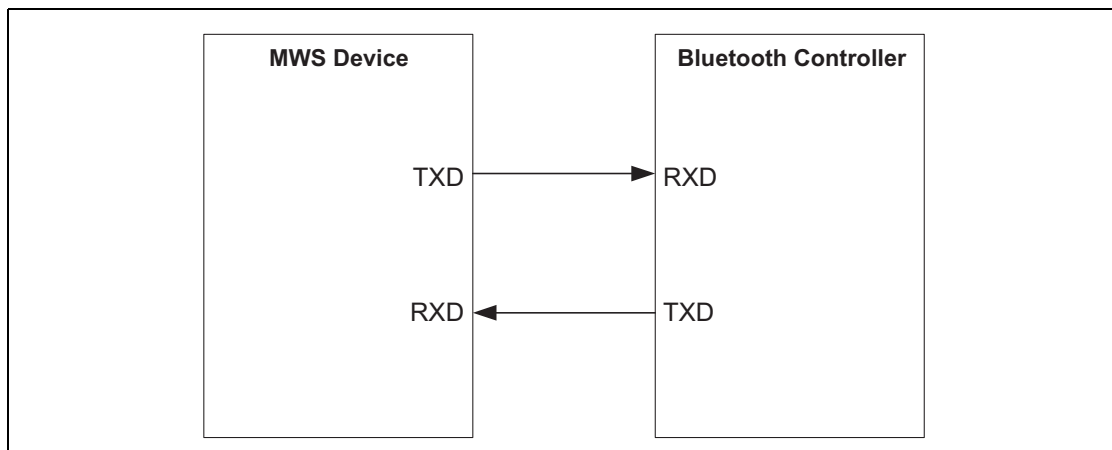


Figure 2.2: WCI-2 physical interface



3 TRANSPORT LAYER

The transport layer defines the mapping of the logical signals (see [Vol 7] Part A) onto the physical transport channel.

The 8 bit UART character is divided into two portions with three bits for the message type indicator and five bits for the message body. The bit with index 0 is the LSB and shall be transmitted first.

b0	b1	b2	b3	b4	b5	b6	b7
Type[0]	Type[1]	Type[2]	MSG[0]	MSG[1]	MSG[2]	MSG[3]	MSG[4]

Table 3.1: Transport layer format

3.1 MESSAGE TYPES

This section describes the message formats for the logical coexistence signals. The message types are listed in Table 3.2.

Message Type Indicator	Direction	Message Type
0	MWS ↔ Bluetooth	Real-time Signal message
1	MWS ↔ Bluetooth	Transport Control message
2	MWS ↔ Bluetooth	Transparent Data message
3	MWS → Bluetooth	MWS Inactivity Duration message
	Bluetooth → MWS	RFU
4	MWS → Bluetooth	MWS Scan Frequency message
	Bluetooth → MWS	RFU
5	MWS → Bluetooth	RFU
	Bluetooth → MWS	RFU
6	Vendor-specific	
7	Vendor-specific	

Table 3.2: Message types



The logical coexistence signals are listed in [Table 3.3](#).

Logical Signal Name	Description
FRAME_SYNC	See [Vol 7] Part A, Section 2.1.1
MWS_RX	See [Vol 7] Part A, Section 2.1.2
BLUETOOTH_RX_PRI	See [Vol 7] Part A, Section 2.1.3
BLUETOOTH_TX_ON	See [Vol 7] Part A, Section 2.1.4
MWS_PATTERN	See [Vol 7] Part A, Section 2.1.5
MWS_TX	See [Vol 7] Part A, Section 2.1.6
802_TX_ON	See [Vol 7] Part A, Section 2.1.7
802_RX_PRI	See [Vol 7] Part A, Section 2.1.8
MWS_INACTIVITY_DURATION	See [Vol 7] Part A, Section 2.1.9
MWS_SCAN_FREQUENCY	See [Vol 7] Part A, Section 2.1.10

Table 3.3: Coexistence signals

3.1.1 Real-time Signal message (Type 0)

The Real-time Signal message is used to transport the real-time coexistence signals (see [\[Vol 7\] Part A](#)) over the WCI-2 transport.

The Real-time Signal message conveys all the real-time coexistence signals in one message. The time reference point for the Real-time Signal message is the end of MSG[4] (i.e. the transition to the Stop bit).

Two Real-time Signal messages are defined, one from the Bluetooth Controller to the MWS device and another from the MWS device to the Bluetooth Controller.

MSG[0]	MSG[1]	MSG[2]	MSG[3]	MSG[4]
FRAME_SYNC	MWS_RX	MWS_TX	MWS_PATTERN[0]	MWS_PATTERN [1]

Table 3.4: Real-time Signal message from MWS device to Bluetooth Controller

MSG[0]	MSG[1]	MSG[2]	MSG[3]	MSG[4]
BLUETOOTH_RX_PRI	BLUETOOTH_TX_ON	802_RX_PRI	802_TX_ON	RFU

Table 3.5: Real-time Signal message from Bluetooth Controller to MWS device



3.1.2 Transport Control message (Type 1)

The Transport Control message can request state information from the MWS device's coexistence interface.

MSG[0]	MSG[1]	MSG[2]	MSG[3]	MSG[4]
RESEND_REAL_TIME	RFU	RFU	RFU	RFU

Table 3.6: Transport Control message

Signal Name	Description
RESEND_REAL_TIME	<p>This bit is set if a device wants to get a status update of the real-time coexistence signals. The signal is usually used after wake-up from sleep of the transport interface.</p> <p>If the receiving device's transport interface is awake it shall send a Real-time message with the current status of the real-time coexistence signals within 4 UART character periods. If the signal is not received within 4 UART character periods the device is considered asleep.</p>

Table 3.7: Transport Control signals

3.1.3 Transparent Data message (Type 2)

The Transparent Data message can be used to exchange non-time critical messages between the MWS device and the Bluetooth Controller. The interface does not guarantee the delivery of a message. Protocol and content of the message are vendor specific.

Each octet to be transmitted is split into two 4-bit parts, called "nibbles". The least significant nibble consists of bits 0 to 3 of the octet and shall be transmitted first. The most significant nibble consists of bits 4 to 7 of the octet and shall be transmitted after the least significant nibble.

A least significant nibble shall be discarded if the next nibble is a least significant nibble. A most significant nibble shall only be accepted if the preceding nibble was a least significant nibble.

MSG[0]	MSG[1]	MSG[2]	MSG[3]	MSG[4]
NIBBLE_POSITION	DATA[0]/ DATA[4]	DATA[1]/ DATA[5]	DATA[2]/ DATA[6]	DATA[3]/ DATA[7]

Table 3.8: Transparent Data message



Signal Name	Description
NIBBLE_POSITION	0 – Least Significant Nibble 1 – Most Significant Nibble
DATA[n]; n=0 .. 7	Data bits of the message octet

Table 3.9: Transparent Data bits

3.1.4 MWS Inactivity Duration message (Type 3)

The MWS Inactivity Duration message is used to send the MWS_INACTIVITY_DURATION signal from the MWS device to the Bluetooth Controller.

The message is sent at the beginning of the MWS inactivity period.

MSG[0]	MSG[1]	MSG[2]	MSG[3]	MSG[4]
DURATION[0]	DURATION[1]	DURATION[2]	DURATION[3]	DURATION[4]

Table 3.10: MWS Inactivity Duration message

The MWS Inactivity Duration is encoded in 5 bits. DURATION is unsigned.

When DURATION = 0, MWS_INACTIVITY_DURATION is cancelled.
 When DURATION = 31, MWS_INACTIVITY_DURATION is infinite.
 Otherwise, MWS_INACTIVITY_DURATION is given by the formula:

$$\text{MWS_INACTIVITY_DURATION} = \text{DURATION} * 5 \text{ ms}$$

3.1.5 MWS Scan Frequency message (Type 4)

The MWS Scan Frequency message is used to send the MWS_SCAN_FREQUENCY signal from the MWS device to the Bluetooth Controller.

MSG[0]	MSG[1]	MSG[2]	MSG[3]	MSG[4]
FREQ[0]	FREQ[1]	FREQ[2]	FREQ[3]	FREQ[4]

Table 3.11: MWS Scan Frequency message

The MWS Scan Frequency index is encoded in 5 bits. FREQ is unsigned.



Bluetooth SIG Proprietary